

COMMANDER *plus* OLH/OLV/OLS

Instruction book

670746-GB-2000/05

We congratulate you for choosing a HARDI plant protection product. The reliability and efficiency of this product depend upon your care. The first step is to carefully read and pay attention to this instruction book. It contains essential information for the efficient use and long life of this quality product.



As the instruction book covers all COMMANDER *plus* models with OLH, OLV or OLS boom and all models with conventional liquid system or High Capacity Liquid system, please pay attention to the paragraphs dealing with precisely your model.

This book is to be read in conjunction with the “Spray Technique” book.

More information about the COMMANDER *plus* can be found on the product’s own website at: <http://www.commander-plus.com>

Illustrations, technical information and data in this book are to the best of our belief correct at the time of printing. As it is HARDI INTERNATIONAL A/S policy permanently to improve our products, we reserve the right to make changes in design, features, accessories, specifications and maintenance instructions at any time and without notice. HARDI INTERNATIONAL A/S is without any obligation in relation to implements purchased before or after such changes.

HARDI INTERNATIONAL A/S cannot undertake any responsibility for possible omissions or inaccuracies in this publication, although everything possible has been done to make it complete and correct.

As this instruction book covers more models and features or equipment, which are available in certain countries only, please pay attention to paragraphs dealing with precisely your model.

Published and printed by HARDI INTERNATIONAL A/S

Table of Contents

Declaration of Conformity	4	Remote pressure gauge (if fitted)	39
Operator safety	5	Filters	39
COMMANDER plus Description	6	Self-cleaning filter	39
Sprayer use	8	Choice of correct restrictor	39
Unloading the sprayer from the truck	8	Filling of chemicals	40
Before putting the sprayer into operation	8	Filling of Liquid chemicals	40
Connecting the sprayer	9	Filling of Powder chemicals	41
Drawbars	9	Use of rinsing tank and rinsing nozzles (if fitted)	42
Fixed drawbar	10	Technical Residue	43
STEERING drawbar	10	Draining a residue	43
SELF TRACK for COMMANDER 2200/2800	10	Using the drain valve	43
TRAIL CONTROL	10	Using the suction quick coupler	43
Transmission shaft	11	Operation of the drain valves	43
Operator safety	11	Safety precautions	44
Installation of transmission shaft	11	Personal protection	44
Track gauge	13	Maintenance - rules of thumb	45
Altering the track gauge	13	Cleaning the sprayer	45
Adjustment ranges - track width	14	Cleaning the tank	45
Permitted rim positions	16	Cleaning and maintenance of filters	46
Hydraulic systems	17	Lubrication	47
Hydraulics COMMANDER-OLS	17	Lubricating points	47
Hydraulics COMMANDER-OLH and OLV	17	Service and Maintenance intervals	51
Direct Acting Hydraulic system	17	10 hours service	51
Load Sensing	17	50 hours service	51
Control boxes and power supply	18	100 hours service	51
Brakes	19	250 hours service	51
Emergency and parking brake (if fitted)	19	1000 hours service	51
Hydraulic activated brakes (if fitted)	19	Occasional maintenance	52
Air activated brakes (if fitted)	19	Off-season storage	67
Single-line brakes (if fitted)	20	Off-season storage program	67
Dual-line brakes (if fitted)	20	Preparing the sprayer for use after storage	67
Counter weight (TRACKER models only)	21	Operational problems	68
Transport	22	Emergency operation of the sprayer	72
Roadworthiness	22	Technical specifications	73
Rear lights (if fitted)	22	Overall dimensions	73
Transport brackets, height setting	22	Weight	73
Transport lock	23	Pump capacity	75
Driving Technique	24	Filters and nozzles	76
STEER TRACK and SELF TRACK	24	Filter gauze width	76
STEER TRACK	24	Temperature and pressure ranges	76
SELF TRACK	25	Brakes	76
TRAIL CONTROL	25	Materials and recycling	76
Equipment - Standard and Additional	26	Disposal of the sprayer	76
Ladder	26	Conversion factors, SI to Imperial units	76
Platform	26	Electrical connections	76
Tank level indicator	26	Electrical connections	77
Large storage Locker (if fitted)	26	Electrical chart (EVC)	77
Small storage Locker (if fitted)	26	Installation instruction for boom and work light	78
Front Locker (if fitted)	26	Electrical specifications for Boom and Work light	79
Boom and Work lights (if fitted)	27	Boom hydraulic charts	80
Crop protection Kit (if fitted)	28	Subject Index	81
Mudguards (if fitted)	29		
Disconnecting the sprayer	30		
Operating the boom	31		
OLH boom and OLV boom	31		
OLS boom	32		
Adjusting the pendulum effect	32		
Operating the liquid system	33		
MANIFOLD SYSTEM	33		
Use of MANIFOLD valve system	35		
Electric operated MANIFOLD valves (if fitted)	35		
Quick reference	35		
Filling of water	35		
Filling of rinsing tank (if fitted)	37		
Filling of clean water tank	38		
Adjustment of EVC operating unit	38		
Operating unit - conventional liquid system	38		
Operating unit - HCFS	38		
Adjustment of pressure equalisation	38		
Operating the control unit while spraying	39		

EC Declaration



Declaration of Conformity

Manufacturer,

HARDI INTERNATIONAL A/S
Helgeshøj Allé 38
DK 2630 Taastrup
DENMARK

Importer,


declare that the following product;

A. was manufactured in conformity with the provisions in the COUNCIL DIRECTIVE of 14 June 1989 on mutual approximation of the laws of the Member States on the safety of machines (89/392/EEC as amended by directives 91/368/EEC and 93/368/EEC) with special reference to Annex 1 of the Directive on essential safety and health requirements in relation to the construction and manufacture of machines.

B. was manufactured in conformity with the current standards implementing harmonised standards in accordance with Article 5 (2) and other relevant standards.

Taastrup, January 2000

Erik Holst
Managing Director
HARDI INTERNATIONAL A/S

Adhere extra shipping package labels in the  *Product Identification Certificate.*

Safety notes

Operator safety



Watch for this symbol .
It means **WARNING, CAUTION,**
NOTE. Your safety is involved so be
alert!

Note the following recommended precautions and safe operating practices.



Read and understand this instruction book before using the equipment. It is equally important that other operators of this equipment read and understand this book.



Local law may demand that the operator be certified to use spray equipment. Adhere to the law.



Pressure test with clean water prior to filling with chemicals.



Wear protective clothing.



Rinse and wash equipment after use and before servicing.



Depressurize equipment after use and before servicing.



Never service or repair the equipment whilst it is operating.



Disconnect electrical power before servicing.



Always replace all safety devices or shields immediately after servicing.



If an arc welder is used on the equipment or anything connected to the equipment, disconnect power leads before welding. Remove all inflammable or explosive material from the area.



Do not eat, drink or smoke whilst spraying or working with contaminated equipment.



Wash and change clothes after spraying.



Wash tools if they have become contaminated.



In case of poisoning, immediately seek medical advice. Remember to identify chemicals used.



Keep children away from the equipment.



Do not attempt to enter the tank.



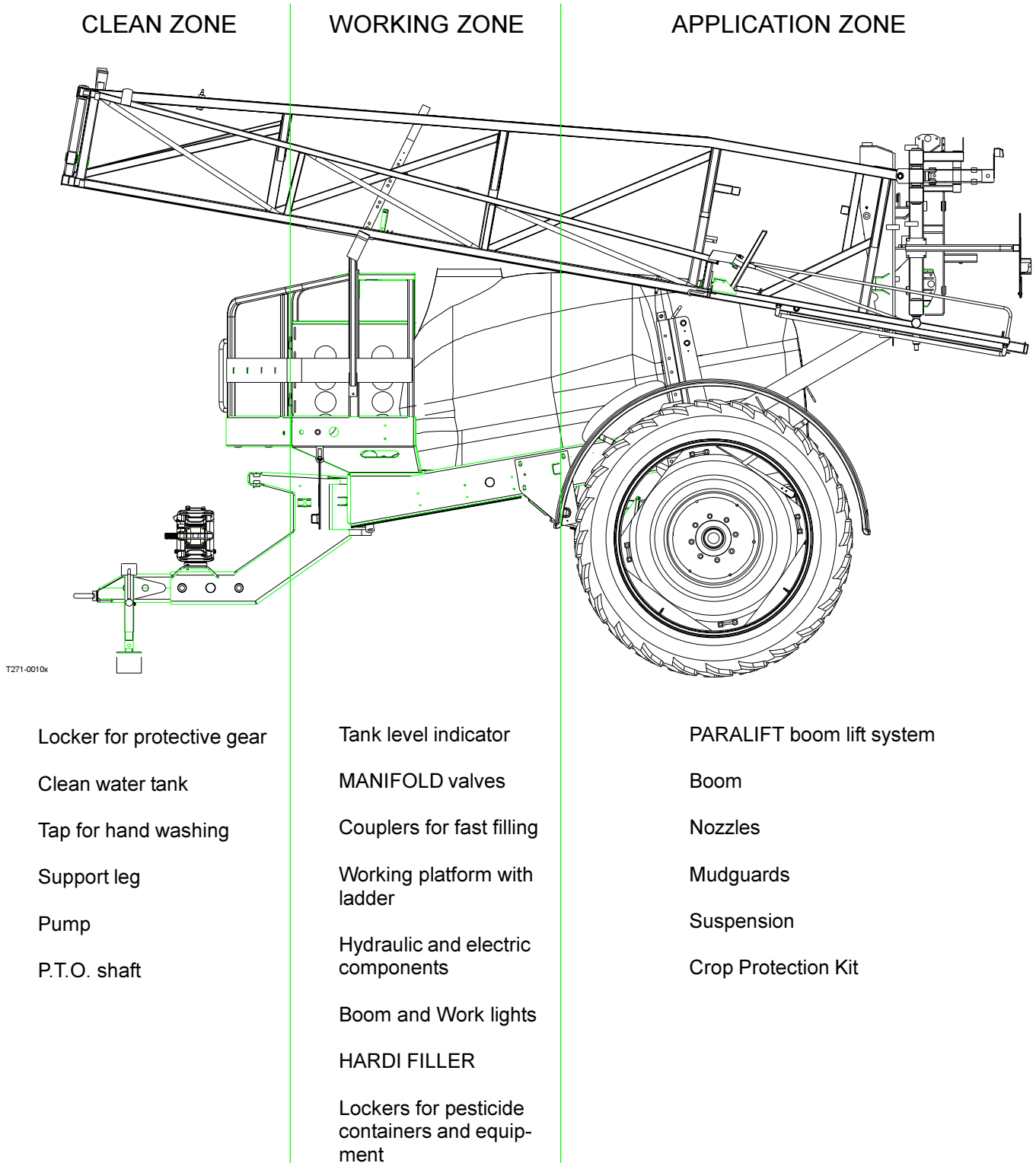
Do not go under any part of the sprayer unless it is secured. The boom is secure when placed in the transport brackets.

If any portion of this instruction book remains unclear after reading it, contact your HARDI dealer for further explanation before using the equipment.

Description

COMMANDER plus

The COMMANDER plus is divided into three zones: a Clean zone, a Working zone and an Application zone, referring to the level of possible pesticide contamination.



Please note that some of the features are optional equipment

Description

Description

Frame

Strong and compact frame with several options of drawbars and wheel sizes. The frame has a strong chemical and weather resistant electrostatic lacquer coat. Screws, nuts, etc. have been DELTA-MAGNI treated to be resistant to corrosion.

Tank

UV-resistant Polyethylene in a suitable design with no sharp corners for easy agitation, emptying and cleaning. Nominal contents 2200, 2800, 3200 or 4200 l.

Pump

Diaphragm pump with 6 diaphragms, model 363 or 463, depending on boom width, with easily accessible valves and diaphragms. Standard = 540 r.p.m. (6 splines)
Optional = 1000 r.p.m. (21 splines).

MANIFOLD SYSTEM

All functions of the spray circuits are operated via the centrally situated MANIFOLD valves with colour coded plates and pictorial symbols for easy operation.

Fluid System

The sprayer can be equipped with a conventional fluid system or with a High Capacity Fluid System.

High Capacity Fluid System - HCFS (certain models only)

With the HCFS it is possible to achieve an application rate of up to 600 l/min. The HCFS is equipped with two conjoined 463 pumps, which have parallel outlet and feeding. The tubes for HCFS are made of stainless steel.

Operating unit

The system is based on EVC - Electrical Valve Control. The on/off is linked to the section valves, which is resulting in a very quick response to on/off.

The operating unit is constructed of modules and is electrically controlled via a remote control box.

The built-in HARDI-MATIC ensures a constant volume per hectare of the liquid (l/ha) at varying forward speed within the same gear when the number of P.T.O. revolutions are between 300-600 r.p.m. (pump 540 r.p.m) or 650-1100 r.p.m. (pump 1000 r.p.m.).

Filters

With the self-cleaning filter the impurities that exist in the spray liquid will by-pass the filter and be recirculated back to the tank via the return flow. Also suction filter and nozzle filters are standard. In-line pressure filters can be fitted as option.

Boom

All booms are suspended in a strong, stable parallelogram boom lift.

The OLS boom is pendulum suspended. The raising/lowering and folding/unfolding functions are operated via the tractor hydraulics.

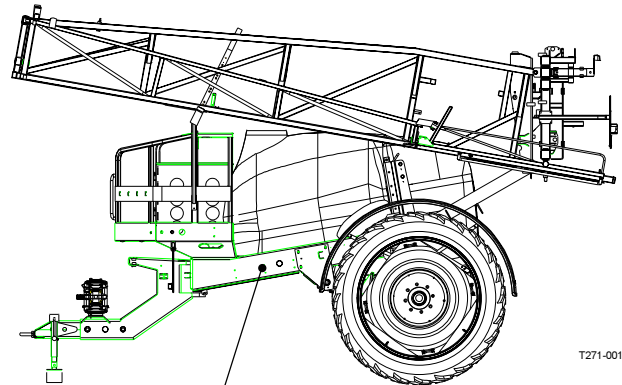
The OLH boom and the OLV boom are pendulum suspended and fully hydraulically operated. All functions are controlled via the Direct Acting Hydraulic System (D.A.H.). The OLH boom is also equipped with individual boom tilt control.

Outer sections incorporate spring loaded breakaway.

The booms are available in 18, 20, 21, 24, 27 and 28 m working width.

Identification plates

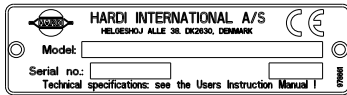
An identification plate fitted on the frame indicates producer name, model, own weight, max. weight, max. pressure of the hydraulic system, and max. pressure of the spray liquid system. Frame, boom centre frame, and inner/outer sections also have identification plates indicating boom type and part number of spare parts. If ordering spare parts, inform your dealer of these, so the right model and version are described.



T271-0010x

HARDI INTERNATIONAL A/S			
HILGESHØJ ALLE 38, DK-2630 TÅSTRUP, DENMARK			
Fabrikat, Model, Mærke, Mærke: HARDI			
Type, Typ, Type: CH 2			
Serie nr., Serial No., Fz-identif.-No., Serie, Num. Serie: _____			
Fabrikations-Produktion Year, Byggetår, An. Fabrication, Año Fabricación: _____			
Kædetype, Capécité, Kapacitet, Capacité, Capacidad: L _____			
Hævetøjstype: _____			
Statbelast, Dræbet Load, Støtbelast, Charge Filène, Pulsion del Timon: _____ kg			
Egenvegt, Unladen weight, Løerogent, P.V., Peso Propio: _____ kg			
Model - Type	Load Index	Max. weight, max. weight	Max. load capacity
Model No.		Max. weight	Max. load capacity
Model No.		Max. weight	Max. load capacity
230/95 R44	134 kg	4860 kg	6010 kg
230/95 R48	135 kg	4790 kg	6140 kg
230/95 R48	140 kg	4550 kg	6050 kg
230/95 R48	142 kg	5830 kg	6200 kg
23, 4005	145 kg	4380 kg	6550 kg

Description



T279-0005
T279-0002
T279-0006

(Certain countries only)

Sprayer use

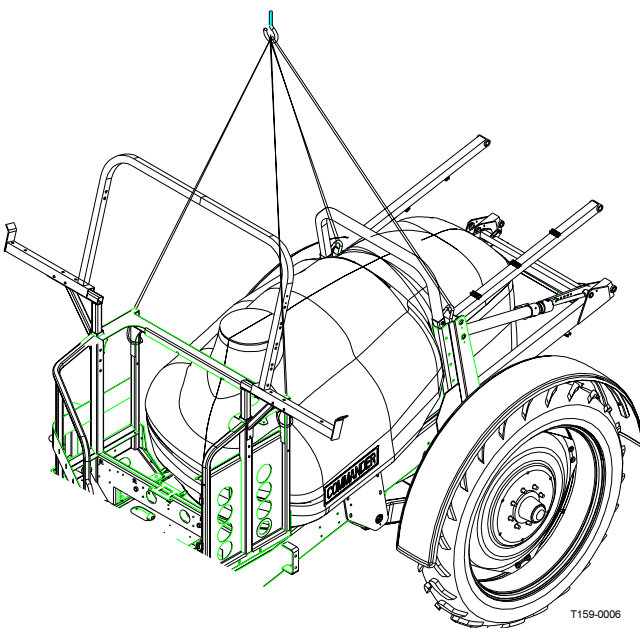
The HARDI COMMANDER sprayer is for the application of crop protection chemicals and liquid fertilisers.

The equipment must only be used for this purpose. It is not allowable to use the sprayer for other purposes.

If no local law demands that the operator must be certified to use the spray equipment, it is strongly recommended to be trained in correct plant protection and in safe handling of plant protection chemicals to avoid unnecessary risk for persons and the environment when doing the spray job.

Unloading the sprayer from the truck

For the unloading of the sprayer a crane or a fork lift is needed. When loading with a crane please observe the lifting points as shown on the illustration, and make sure that the straps or belts used for lifting are strong enough.



Before putting the sprayer into operation

Although the sprayer has been applied with a strong and protective surface treatment on steel parts, bolts etc. in the factories, it is recommended to apply a film of anticorrosion oil (e.g. CASTROL RUSTILLO or SHELL ENSIS FLUID) on all metal parts in order to avoid chemicals and fertilisers discolouring the enamel.

If this is done before the sprayer is put into operation for the first time, it will always be easy to clean the sprayer and keep the enamel shiny for many years.

This treatment should be carried out every time the protection film is washed off.

Sprayer setup

Connecting the sprayer

Drawbars

Mounted on the chassis in a centre pivot, the drawbar can be either standard fixed or optionally steered. Steering can be hydraulically operated or it can be automatically controlled (TRAIL CONTROL).

Overview - Drawbar systems

COMMANDER LPY/LPZ	FIXED DRAWBAR	STEERING DRAWBAR	TRAIL CONTROL	SELF TRACK
2200/2800	Yes	Yes	Yes	Yes
3200/4200	Yes	Yes	Yes	No

035

Following drawbar extensions are available. The drawbar extensions are available - steering or fixed - for both high and low tractor hitch points. Each drawbar is available in a long or a short version.

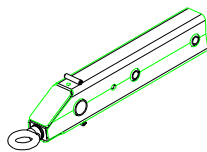
Overview - Drawbar extensions

Drawbar extensions	COMMANDER 2200/2800	COMMANDER 3200/4200
	HIGH and LOW hitch	HIGH and LOW hitch
Swivel type Ø33	No	Yes
Swivel type Ø36	Yes	No
Zugmaul Ø40	Yes	Yes
Hitch Ø50 (ISO 5692)	Yes	Yes

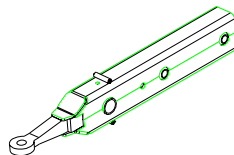
All drawbars are available in a long and a short version

034

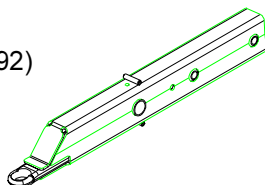
Swivel type



Zugmaul



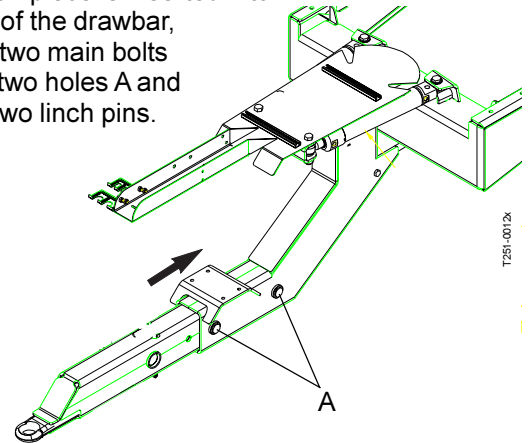
Hitch (ISO 5692)



T251-0014x

Mounting the drawbar extension

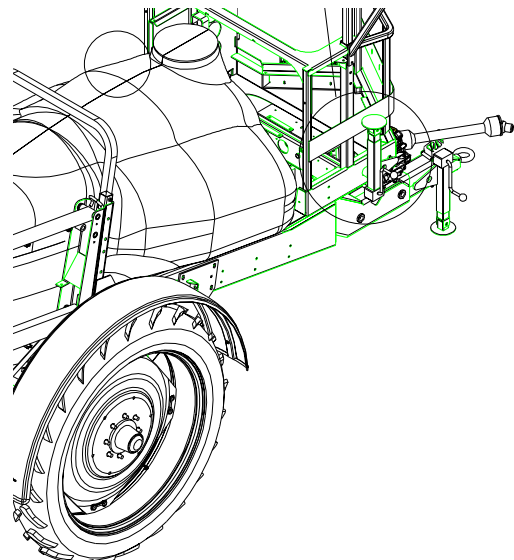
The extension piece is inserted into the opening of the drawbar, fastened by two main bolts through the two holes A and secured by two linch pins.



T251-0012x

Support leg

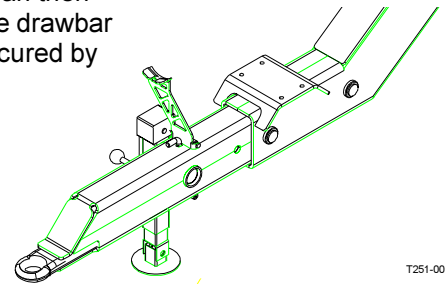
The support leg is stored in the bracket on the sprayer's right side when the sprayer is attached to the tractor.



T142-0028x

To remove the support leg: Lift the leg, remove the linch pin and pull out the support leg.

The support leg can then be mounted to the drawbar extension and secured by linch pin.

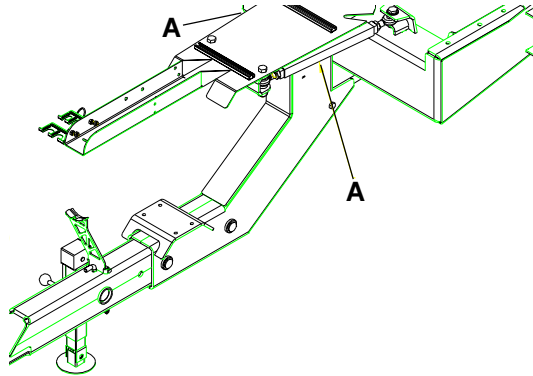


T251-0012x

Sprayer setup

Fixed drawbar

Make sure the drawbar points straight ahead from its position on the trailer. If not, the two turn buckles **A** can be adjusted till the drawbar is centred.



T251-0012x

STEERING drawbar

Transport lock (if fitted)

The transport lock is a safeguard that will keep the drawbar in a centred position in case of hydraulic leakage during transport on public roads.

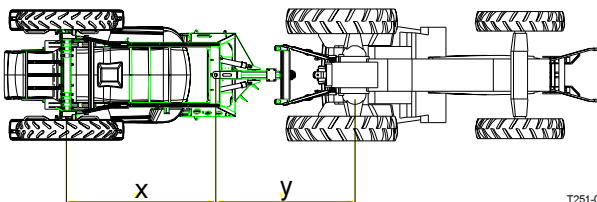
The transport lock is fixed by linch pins.

If necessary, the transport lock can be adjusted by turning the turnbuckle.

SELF TRACK for COMMANDER 2200/2800

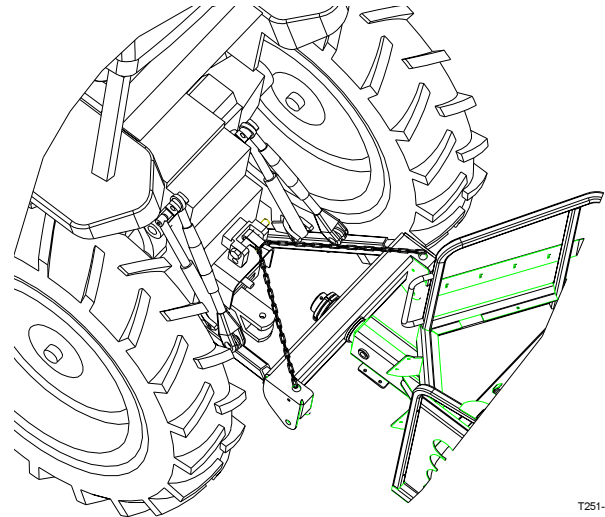
SELF TRACK is connected as follows:

1. Attach the tractor lower links in the two mountings of the SELF TRACK. Adjust the length of the drawbar if necessary - to obtain the best tracking, choose the setting where the distance X is equal to distance Y . Secure with linch pins.



T251-0015x

2. Attach safety chains to top link clevis. The chain will prevent the transmission shaft from being damaged if the lift arms are lowered too far. Adjust the chain length so the chains are tight when the tractor P.T.O. and pump shaft are in a horizontal line.



T251-0016x

NOTE! If possible, lock the tractor hydraulic lever when the lift arms are in the correct position to avoid the sprayer weight resting on the stabiliser chains.

3. Tighten the lift arm stabiliser chains.



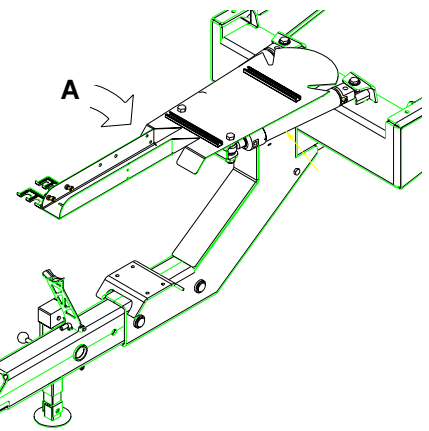
WARNING! Do not stand in the area around the drawbar during manoeuvring.

TRAIL CONTROL

Please refer to separate instruction book.

Hose package support

To prevent hoses and wiring from being damaged by the tractor wheels, all hoses, cables and wires are held by the hose bracket **A** fitted to the drawbar.



T251-0012x

Check that the length of the hoses and cables are sufficient by tight turns.

Sprayer setup

Transmission shaft

Operator safety

To avoid accidents and personal injuries, note the following recommended precautions and safe operation practices.

1. Always STOP ENGINE before attaching the transmission shaft to tractor P.T.O. - most tractor P.T.O. shafts can be rotated by hand to facilitate spline alignment, when engine is stopped.
2. When attaching the shaft, make sure that the snap lock is FULLY ENGAGED - push and pull shaft until it locks.



WARNING! ROTATING TRANSMISSION SHAFTS WITHOUT PROTECTION GUARDS ARE FATAL.

3. Always keep protection guards and chains intact and make sure that it covers all rotating parts, including CV-joints at each end of the shaft. Do not use without protection guard.
4. Do not touch or stand on the transmission shaft when it is rotating - safety distance: 1.5 meter.
5. Prevent protection guards from rotating by attaching the chains allowing sufficient slack for turns.
6. Make sure that protection guards around tractor P.T.O. and implement shaft are intact.
7. Always STOP ENGINE and remove the ignition key before carrying out maintenance or repairs to the transmission shaft or implement.

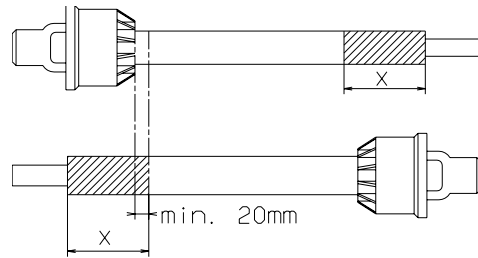
Installation of transmission shaft

First installation of the transmission shaft is done in the following way:

1. Attach sprayer to tractor and set sprayer height in the position with shortest distance between the tractor and sprayer pump P.T.O. shafts.
2. Stop engine and remove ignition key.
3. If transmission shaft must be shortened, the shaft is pulled apart.

Fit the two shaft parts at tractor and sprayer pump and measure how much it is necessary to shorten the shaft.

Mark the protection guards.

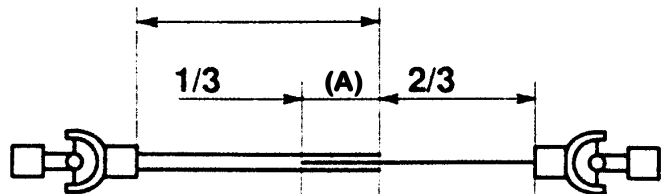


T259-0004

NOTE! The shaft must always have a minimum overlap. The size of this overlap depends on the pump model:

Pump with 6 splines/540 r.p.m.

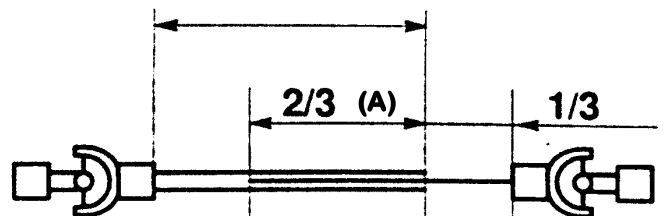
The shaft must always have an overlap (A) of minimum 1/3 of the length.



T259-0011

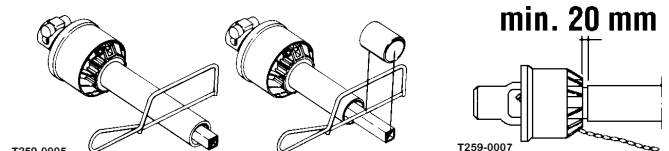
Pump with 21 splines/1000 r.p.m.

The shaft must always have an overlap (A) of minimum 2/3 of the length.



T259-0011

4. The two parts are shortened equally. Use a saw, and file the profiles afterwards to remove burrs.

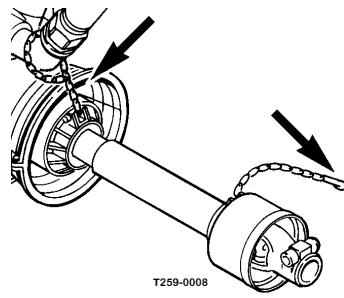


5. Grease the profiles and assemble male and female parts again.
6. Fit the shaft to tractor P.T.O. and sprayer pump shaft.

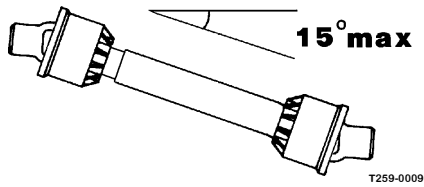
NOTE! Female part marked with a tractor towards tractor!

Sprayer setup

7. Fit the chains to prevent the protection guards from rotating with the shaft.



8. To ensure long life of the transmission shaft, try to avoid working angles greater than 15°.



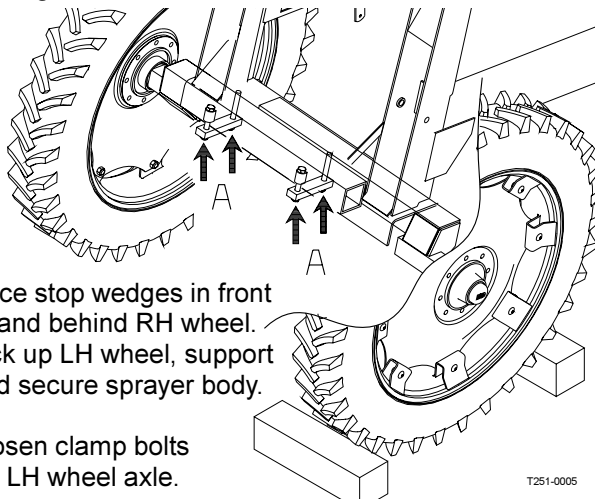
Sprayer setup

Track gauge

Altering the track gauge

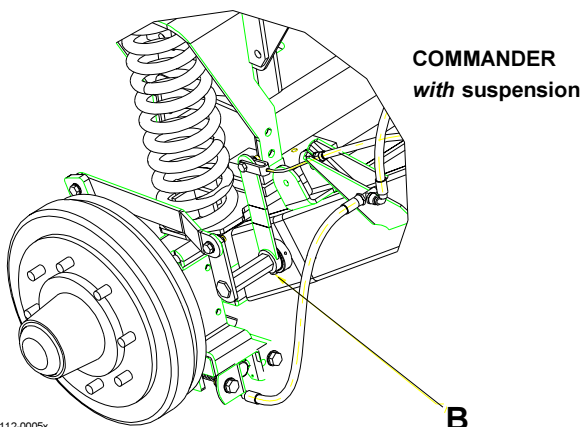
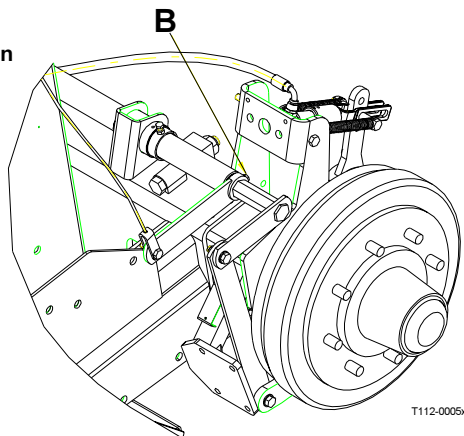
The track gauge of the COMMANDER can be altered stepless as follows,

1. Measure the current track gauge (centre RH tyre to centre LH tyre). Each side must be extended or retracted half the desired alteration.
2. Attach the sprayer to tractor and engage tractor parking brake.

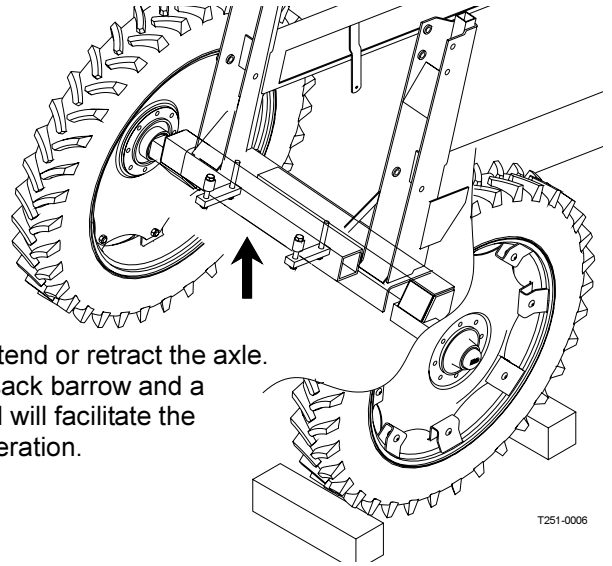


3. Place stop wedges in front of and behind RH wheel. Jack up LH wheel, support and secure sprayer body.
4. Loosen clamp bolts for LH wheel axle.
5. Loosen the nut **B** on the brake operating arm. Extend/retract this arm according to the adjustment of the axle.

COMMANDER
without suspension



6. Extend or retract the axle. A sack barrow and a rod will facilitate the operation.



7. If the rim position must be changed, do this first and fine adjust by extending or retracting the axles. Remember to tighten the wheel nuts to the specified torque:

Rim plate to rim:	280 + 30 Nm (207 + 22 lbf)
Rim plate to hub:	490 Nm (288 lbf)

8. Tighten the clamp bolts to a torque of:

280 Nm (207 lb.ft)	for 2200/2800
390 Nm (289 lbf)	for 3200/4200.

9. Tighten nut **B** again.

IMPORTANT! Place the jack under the axle and lift the wheel to remove load from the clamps before tightening the clamp bolts to the specified torque.

10. Repeat the procedure on RH wheel.
11. Check the distance from centre tyre to centre of tank frame is equal at RH and LH.
12. Retighten clamp bolts and wheel bolts to specified torque after 8 hours of work.

Sprayer setup

Adjustment ranges - track width

The maximum track width for all models is **2250 mm**.

The minimum track width depends on the parameters in the charts beneath and whether the sprayer is equipped with suspended axle - or not. Please refer to the following charts (all figures in mm).

Min. track width - Sprayers without suspension

CM plus 2200	Tyre size						
Sprayer with:	9.5 x 44"	9.5 x 48"	11.2 x 44"	11.2 x 48"	12.4 x 46"	18.4 x 38"	20.8 x 38"
Flange hub	1500	1500	1500	1500	1500	1680	1720
Mudguards	1500	1520	1500	1520	1520	1740	1740

CM plus 2800	Tyre size						
Sprayer with:	9.5 x 44"	9.5 x 48"	11.2 x 44"	11.2 x 48"	12.4 x 46"	18.4 x 38"	20.8 x 38"
Flange hub		1500	1500	1500	1500	1680	1720
Mudguards		1520	1500	1520	1520	1740	1740

CM plus 3200	Tyre size						
Sprayer with:	9.5 x 44"	9.5 x 48"	11.2 x 44"	11.2 x 48"	12.4 x 46"	18.4 x 38"	20.8 x 38"
Flange hub			1520	1520	1540	1680	1720
Mudguards			1570	1590	1590	1740	1740

CM plus 4200	Tyre size						
Sprayer with:	9.5 x 44"	9.5 x 48"	11.2 x 44"	11.2 x 48"	12.4 x 46"	18.4 x 38"	20.8 x 38"
Flange hub					1540	1740	1780
Mudguards					1590	1800	1800

Sprayer setup

Min. track width - Sprayers with suspension

CM plus 2200	Tyre size						
Sprayer with:	9.5 x 44"	9.5 x 48"	11.2 x 44"	11.2 x 48"	12.4 x 46"	18.4 x 38"	20.8 x 38"
Flange hub	1800	1800	1800	1800	1800	2020	2060
Mudguards	1800	1800	1800	1800	1800	2020	2060

CM plus 2800	Tyre size						
Sprayer with:	9.5 x 44"	9.5 x 48"	11.2 x 44"	11.2 x 48"	12.4 x 46"	18.4 x 38"	20.8 x 38"
Flange hub		1800	1800	1800	1800	2020	2060
Mudguards		1800	1800	1800	1800	2020	2060

CM plus 3200	Tyre size						
Sprayer with:	9.5 x 44"	9.5 x 48"	11.2 x 44"	11.2 x 48"	12.4 x 46"	18.4 x 38"	20.8 x 38"
Flange hub			1800	1800	1800	2020	2060
Mudguards			1800	1800	1800	2020	2060

CM plus 4200	Tyre size						
Sprayer with:	9.5 x 44"	9.5 x 48"	11.2 x 44"	11.2 x 48"	12.4 x 46"	18.4 x 38"	20.8 x 38"
Flange hub					1800	2020	2060
Mudguards					1800	2020	2060

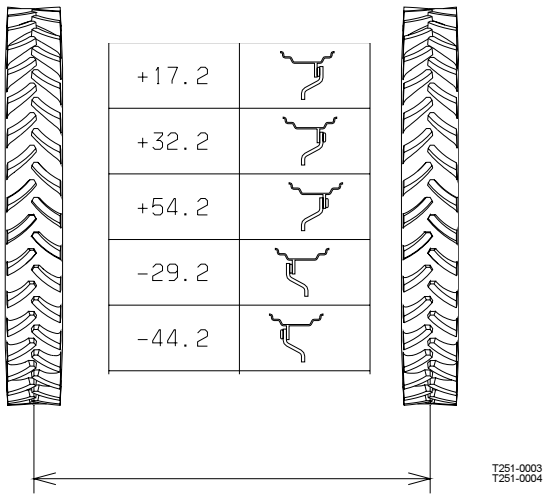
It is not permitted to fit dual wheels!

IMPORTANT! On TRACKER models a minimum track width of 1800 mm is strongly recommended to ensure stability and to avoid the sprayer from tipping over.

NOTE! The wider the track width, the better is the stability of the sprayer and boom.

Sprayer setup

Permitted rim positions



IMPORTANT! Tyre sizes **18.4 x 38"** and **20.8 x 38"** are not permitted in any "**+ position**", only use the "**- positions**".



WARNING! When altering track gauge by turning rims and rim plates the maximum permitted offset between centre wheel and hub flange must be observed:

Max offset, hub flange and centre rim:

COMMANDER model	Min. rim offset	Max. rim offset
2200/2800	- 45	+ 55
3200/4200	- 33	+ 55

Sprayer setup

Hydraulic systems

Hydraulics COMMANDER-OLS

Indirect Acting Hydraulic system

Connection requirements for COMMANDER-OLS are;

- one single acting outlet and
- one double acting outlet

Ensure the snap couplers are clean before connection!

NOTE! The hydraulic system requires a minimum oil pressure of 130 bar, max. oil pressure of 210 bar and an oil capacity of approx. 5 litres. After having operated the boom and the system has been filled with oil, check tractor's hydraulic oil level and top up if necessary.

Hydraulics COMMANDER-OLH and OLV

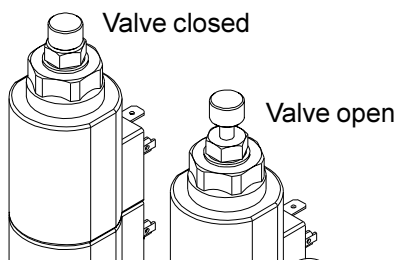
Direct Acting Hydraulic system

The D.A.H. system requires a double acting hydraulic outlet. The hydraulic hoses are marked with arrows to indicate direction of oil flow.

The D.A.H. system requires an oil flow between 10 and 90 l/min (19.8 Imp. gal/min.) and a min. pressure of 130 bar (1886 p.s.i.) The system has a built-in flow regulator that maintains constant speed on hydraulic movements.

The hydraulic distribution block is situated underneath the platform floor.

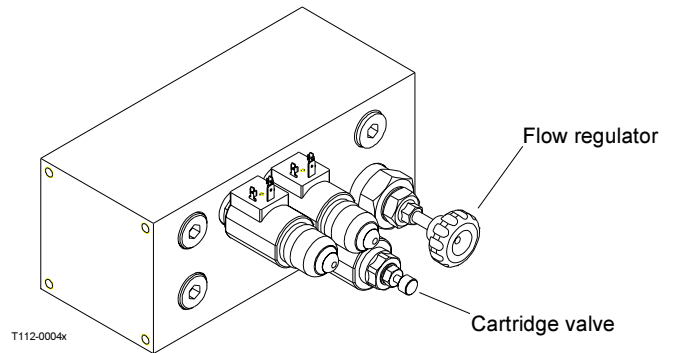
The valves on the block are operated by means of manual override and each valve can be regulated to be open or closed.



T112-0004x

Before operating the hydraulics, the valves on the sprayer's hydraulic distribution block should be adjusted according to the specific tractor model (please refer to scheme later in this part).

If you have doubt about which type of hydraulic system your tractor is equipped with, please ask your tractor dealer.



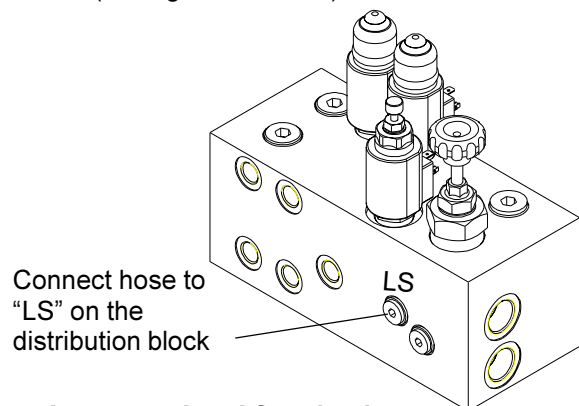
Tractor/hydraulic system	Cartridge valve	Flow regulator
Standard (constant flow tractor)	Open	Open
Closed centre (certain JD tractors)	Closed	Closed
Load sensing 1. Without external sensing line	Open	Open
Load sensing 2. With external sensing line	Open	Closed

029

Load Sensing

Please consult your tractor dealer for correct setup and correct connection.

Certain tractor models are able to use Load Sensing *without* connecting an external sensing line (setting 1 in scheme). But if optimal sensing control pressure *cannot* be obtained, an external sensing line needs to be mounted (setting 2 in scheme).



Requirements - Load Sensing hose:

1/4" Standard hose

Max. rated working pressure = 200 bar.

IMPORTANT! It is of essential importance that connectors on sensing line are kept totally clean. Failure to do so will cause impurities entering the pump and thereby cause damages to vital pump parts.

Sprayer setup

Control boxes and power supply

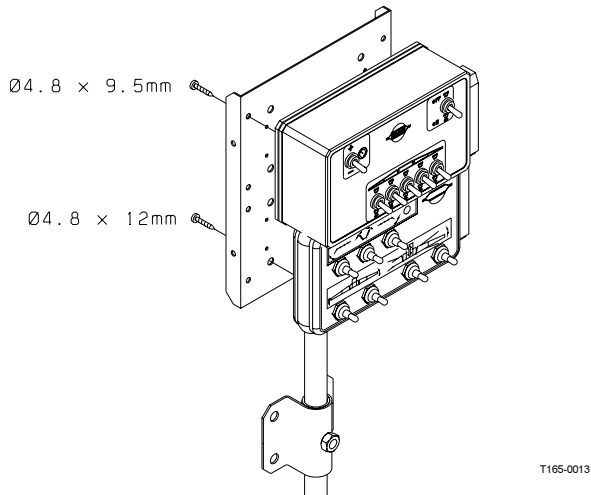
Power requirement is 12V DC.

Note Polarity!

For EVC: Brown pos. (+), Blue neg. (-).

For D.A.H.: White pos. (+), Black neg. (-).

The control boxes for EVC-operating unit and D.A.H. are fitted in the tractor cabin at a convenient place. Tapping screws can be used for mounting.



The wires must have a cross sectional area of at least 4.0 mm to ensure sufficient power supply. For the EVC-operating unit the tractor circuit should have an 8 Amp fuse and for the D.A.H. a 16 Amp fuse.

Control box for	Polarity (wire colour)		Required Fuse, Amp
	Positive +	Negative -	
EVC operating unit	Brown	Blue	8
D.A.H. Hydraulic	White	Black	16
MANIFOLD valve	Brown	Blue	8

Use the HARDI Electric distribution box (No. 817925) if the tractor has a doubtful power supply.

Sprayer setup

Brakes

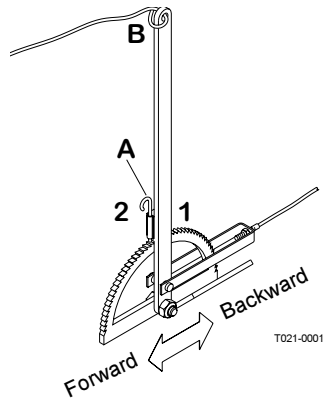
Emergency and parking brake (if fitted)

The parking brake lever has two function modes, which are determined by the small pawl control clip (A).

To change between the two modes, turn the clip.

Pos. 1: The pawl control clip must point away from the pawl.

Pos. 2: The pawl control clip must rest against the pawl.



To disengage the parking brake:

1. Set pawl control clip in pos. 1.
2. Pull the lever a little forward to release the pawl from the ratchet and then push the lever fully backwards.

To engage the parking brake:

1. Set pawl control clip in pos. 2.
2. Pull the lever firmly forwards until parking brake is fully engaged.

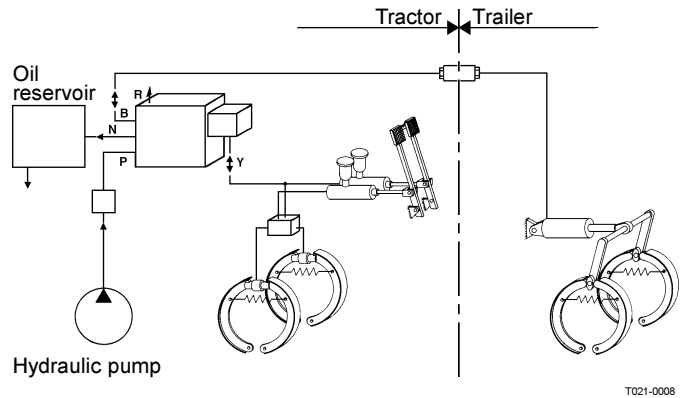
Emergency brake

1. Set pawl clip in pos. 2.
2. Attach the rope from the hole in top of the handbrake lever (B) to e.g. the tractor top link attaching point. If the sprayer is accidentally unhooked during transport the rope will apply the parking brake before the rope breaks.

IMPORTANT! To ensure safe engagement and to avoid damages to the parking brake use rope with an ultimate stress between 690 N (155 lb.) and 785 N (176 lb.).

Hydraulic activated brakes (if fitted)

This requires a special trailer brake valve attached to the tractor hydraulic and brake system. Connect the snap coupler to the tractor brake outlet. When the tractor brakes are applied, the trailer brakes will work proportionally to the tractor brakes, and ensure safe and effective braking.



WARNING! Do not connect the brakes directly to the tractor hydraulics without the brake valve. The trailer brake power cannot be controlled, and braking will therefore be hazardous.

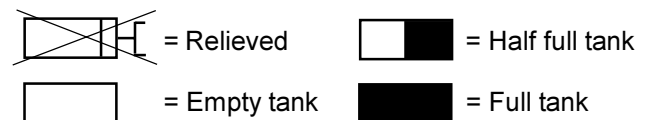
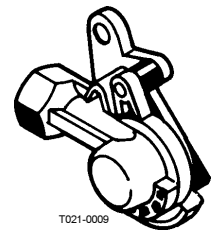
IMPORTANT! Max. oil pressure is 150 bar (2175 p.s.i.) in the brake line.

Relieve parking brake before driving.

Air activated brakes (if fitted)

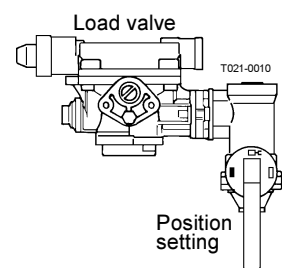
This system requires a tractor with compressor and air brake system with out-let(s) for trailer brakes.

IMPORTANT! The load apportioning valve must be set at the position corresponding to the load on the trailer, for obtaining optimal air pressure to the trailer brakes.



WARNING! Driving with wrong load apportioning valve setting, will make the brakes under- or over-apply, which can cause hazardous situations.

NOTE! If the air hose(s) are disconnected with air in the brake air tank, control pressure will be dumped and the brakes will engage fully. If the sprayer must be moved with air in the tank and without the air hose(s) connected to the tractor, the load apportioning valve must be set at "relieved" to disengage the brakes. Remember to reset the handle to brake position again afterwards. When parking the sprayer, always engage the parking brake, as the air brakes will only be engaged as long as there is air in the tank! Cover the couplings with the dust flaps when hoses are disconnected.



Sprayer setup

Single-line brakes (if fitted)

Flip the snap coupler protection flap away and connect the brake system snap coupler to the tractor outlet (black) and let the compressor fill the sprayer's air reservoir.

Check brake circuit for leaks.

Dual-line brakes (if fitted)

Flip the snap coupler protection flaps away and connect the two snap couplers for supply and control to the tractor outlets, and check brake circuits for leaks.

The couplers are colour coded and secured against incorrect attachment:

Red = Supply line (RH)

Yellow= Control line (LH)

Relieve parking brake before driving

Sprayer setup

Counter weight (TRACKER models only)

To improve stability on TRACKER models, extra weight can be added by means of liquid-filled tyres.

The standard tyre valve is an universal air-water valve.

The tyres can be filled with liquid to max. 75% of their total volume. The table below indicates the 75% volume.

Tyre size	Max. litres of liquid per tyre
9.5 x 44"	101
9.5 x 48"	108
11.2 x 44"	133
11.2 x 48"	144
12.4 x 46"	178
16.9 x 38"	285
18.4 x 38"	390
20.8 x 38"	466

1 litre = 0.264 US Gal. 1 litre = 0.22 Imp. Gal.

001

Use a mixture of water and CaCl_2 to avoid frost damage as described in table below:

CaCl_2 per litre water	Protection to
200 g (7.1 oz)	-15°C (30.6°F)
300 g (10.6 oz)	-25°C (12.6°F)
435 g (15.4 oz)	-35°C (-5.4°F)

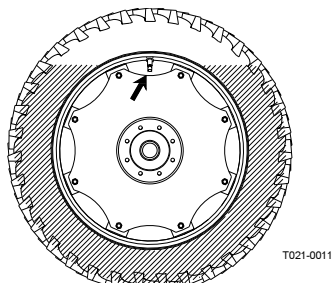


WARNING! It is very important that the CaCl_2 is added to the water and agitated until it is fully dissolved. Never pour water on to CaCl_2 ! If you get CaCl_2 in the eyes, flush instantly with cold water for at least 5 minutes and seek medical advice afterwards.

IMPORTANT! The tyres must be liquid filled to max. 75% of total tyre volume. Fill only the qty. of liquid necessary to obtain sufficient stability of the sprayer. Do not fill liquid and CaCl_2 mixture in tyres without tubes!

To fill the tyres:

- Jack up the wheel and rotate wheel till the valve is positioned at "12 o'clock".
- Remove the valve body and fill liquid until it reaches the valve.
- When surplus liquid is drained through the valve stem fit the valve body again.
- Adjust tyre pressure and lower the wheel. (Please refer to table for correct tyre pressure).



T021-0011

Recommended tyre pressure:

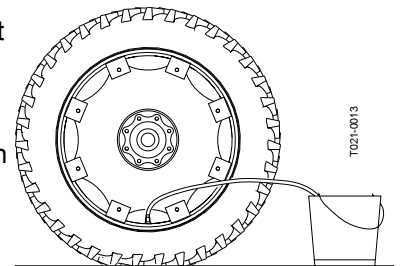
Tyre size RC 95	Recommended inflation pressure in bar (p.s.i.)	Minimum Load Index A8/A2
230/95 R44 (9.5 x 44)	3.6 (52)	134/145
230/95 R48 (9.5 x 48)	3.6 (52)	136/147
270/95 R44 (11.2 x 44)	3.6 (52)	140/151
270/95 R48 (11.2 x 48)	3.6 (52)	142/153
12.4 x 46	3.6 (52)	147/158
16.9 x 38	1.6 (23)	141/152
18.4 x 38	1.6 (23)	147/144
20.8 x 38	1.2 (18)	154/151

002

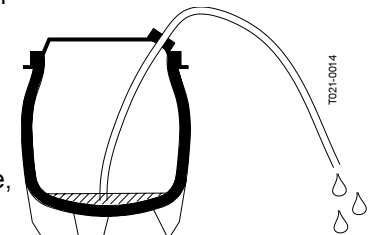
NOTE! When filling the tyres the valve should be positioned at 12 o'clock and when adjusting the tyre pressure, the valve should be positioned at 6 o'clock.

To empty the tyres:

- Rotate wheel till the valve is positioned at "6 o'clock."
- Remove the valve body and let out the liquid. Retain liquid in an appropriate container.
- To empty the tyre completely the tyre is inflated and a thin drain tube is lead to the bottom of the tyre. The air pressure will now empty the remaining liquid.
- Remove the drain tube, fit the valve and inflate the tyre to specified pressure. See the table "Tyre pressure".



T021-0013



T021-0014

NOTE! Disposal of CaCl_2 has to take place according to local legislation.

Sprayer setup

Transport

Roadworthiness

When driving on public roads and other areas where the highway code applies, or areas where there are special rules and regulations for marking and lights on implements, observe these and equip implements accordingly.

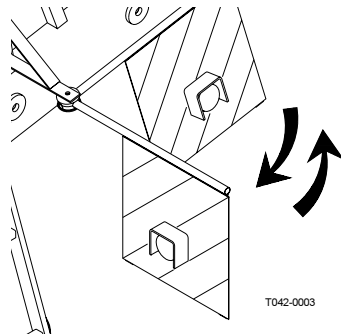
NOTE! Max. driving speed is 25 km/h for models *without* brakes and 40 km/h for models equipped *with* brakes.

Rear lights (if fitted)

Connect plug for rear lights to the tractor's 7-pin socket, and check function of rear lights, stop lights and direction indicators on both sides before driving.

The wiring is in accordance with ISO 1724. See section on Technical specifications.

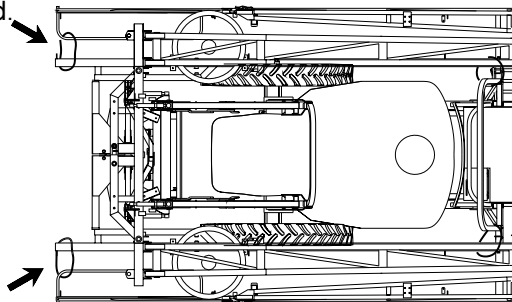
Before transport on public roads the front warning boards with position lamps must be folded out (fitted in certain countries only).



T042-0003

Boom transport safety chain (if fitted)

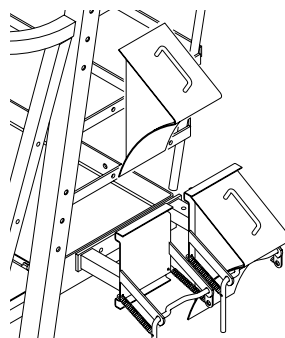
Fit the safety chains as shown below before transport on public road.



T030-0001

Stop wedges (if fitted)

Before driving, remove the stop wedges and place them in the storage brackets.

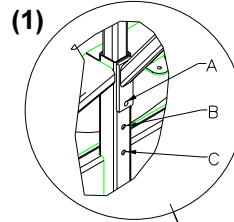


T021-0004

Transport brackets, height setting

The transport brackets can be set in different positions. Thereby it is possible to obtain different transport heights and suitable clearance above various tractor cabins.

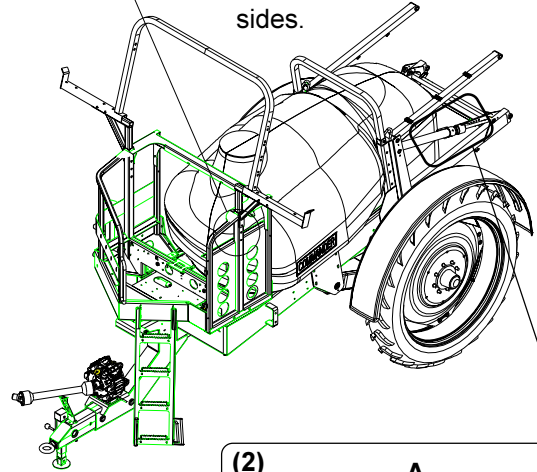
When changing the setting of the transport brackets it is done as a combination of adjusting the transport brackets themselves (1) and adjusting the transport locks (2). Always choose a transport height as low as possible.



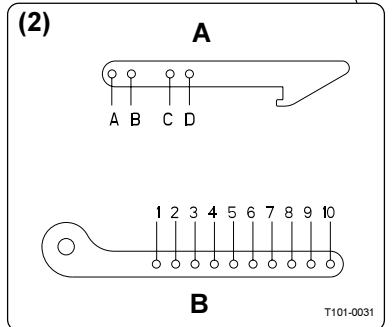
1. Transport brackets

The transport bracket can be set at three different positions A, B or C.

Loosen the bolt to change position and replace it according to new setting. The setting must be identical on both sides.



T142-0026



T101-0031

2. Transport lock

To change position:

1. Lift and unfold inner sections till lock is disengaged.
2. Loosen and remove the two bolts, which keep the parts **A** and **B** assembled.
3. Reassemble **A** and **B** according to desired hole combination.

NOTE! Always use both bolts to assemble the lock. The setting must be identical on both sides.

NOTE! The rear settings must correspond to the front settings so the boom is resting on the front as well as rear brackets.



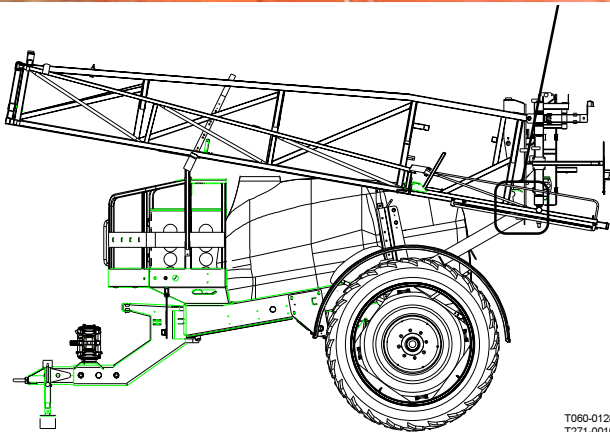
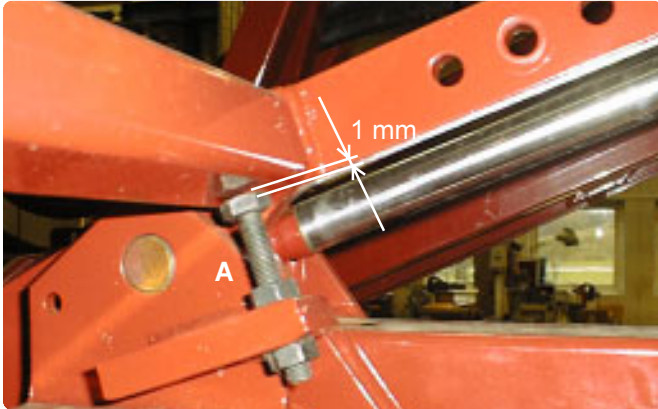
WARNING! The max. transport height must never exceed 4.0 m (13.1 ft.). Always measure the actual total height and choose settings not exceeding 4.0 m.

Sprayer setup

Transport lock

When the boom is unfolded: Inspect the gap between the bolt A and the frame. Correct position = 1 mm gap.

If necessary, adjust the position of bolt A.



T060-0128
T271-0010x

Sprayer setup

Driving Technique

STEER TRACK and SELF TRACK

A trailer with articulating drawbar (TRACKER) behaves differently than a normal trailer.

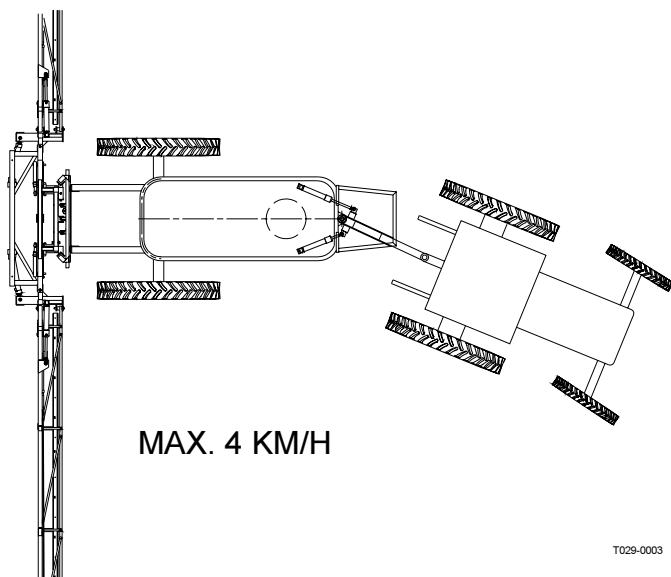
In tracking position the vehicle centre of gravity is displaced further more compared to the vehicle centre line of a normal trailer.

Compared to a conventional trailer a TRACKER has decreased stability when turning, especially when turning on hillsides.

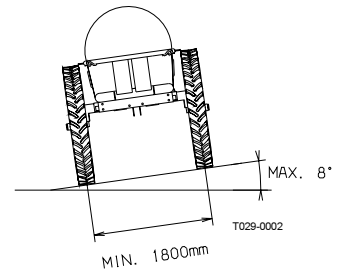
To avoid overbalancing, pay attention to these guidelines:

1. Avoid sudden, tight turns
2. Slow down before entering a curve or turning, and drive with a constant, low speed during the turn.
3. Never slow down too fast, never brake heavily and never stop suddenly in a curve, or when turning on a hillside, when the sprayer is articulated.
4. Be careful when turning on uneven ground
5. Set the track gauge as wide as possible
6. The proper function of the hydraulic damping is essential to obtain good stability
7. Keep stabiliser chains on the tractor's liftarms tight
8. For safety reasons, the following limitations are set for TRACKERS (with unfolded booms):

Speed by turning, max.	4 km/h (2.5 m.p.h.)
Ground inclination by turning, max.	8°
Track gauge, min.	Please see the part "Track gauge"



NOTE! HARDI cannot undertake any responsibility for any damages caused by the sprayer tipping over.



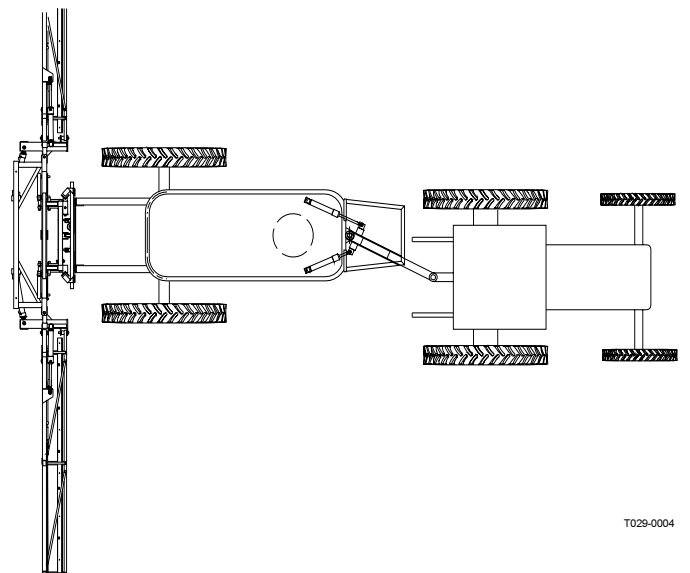
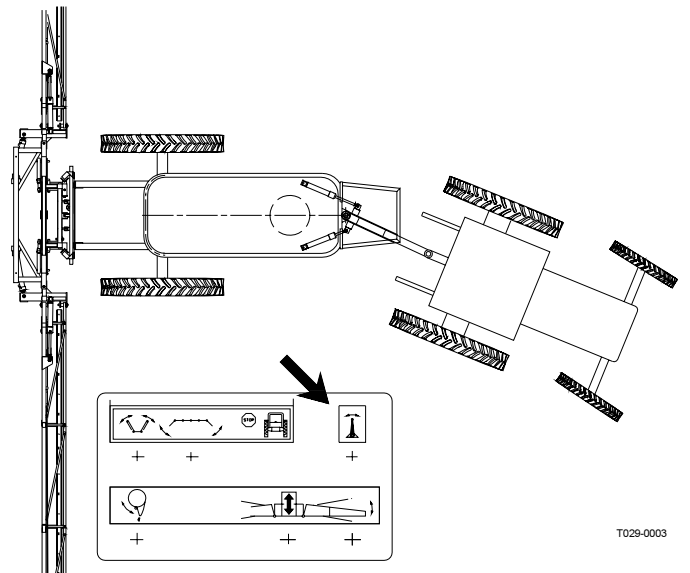
STEER TRACK

(If the sprayer is equipped with HARDI NOVA, please see separate instruction book).

The articulating drawbar on STEER TRACK is to be operated manually via the D.A.H.

The switch on the D.A.H. control box is pushed side-wards to articulate the drawbar.

This is used when turning or as track correction when driving on slopes.



Sprayer setup

SELF TRACK

The SELF TRACK is always in tracking mode.

The SELF TRACK drawbar will always articulate when the tractor is turning and follow the tractor rear wheels.

The SELF TRACK drawbar is hydraulically damped to obtain stable trailing.



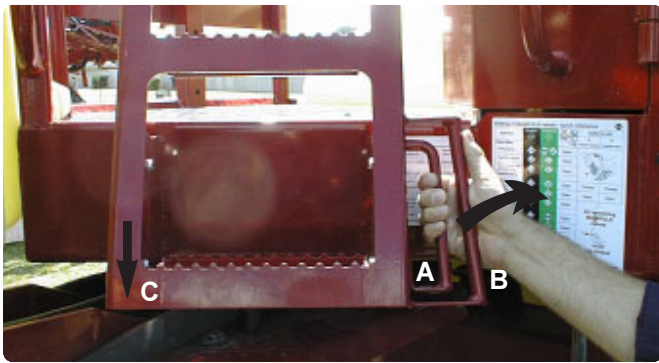
WARNING! Always drive the SELF TRACK very carefully on public roads, and be aware of the sprayer's behaviour. Slow down before turning, to avoid the vehicle from tipping over.

TRAIL CONTROL

Please see separate instruction book.

Sprayer setup

Equipment - Standard and Additional Ladder



T060-0121

Down: Pull the handle **A** to disengage the locking device and drag down the ladder while supporting it by both handles (**B + C**)

Up: The ladder will lock automatically when it is fully retracted.

NOTE! Always retract the ladder before driving.

If necessary, grease the slide bars to make the ladder slide smoother.

Platform

Access to the platform is possible via the ladder.

Hydraulic and electric components are situated underneath the platform floor. By lifting the platform floor, these components are accessible. Also the clean water tank is integrated in the platform.

The platform gives access to the clean water tank lid, the main tank lid, the top mounted suction filter and the self-cleaning filter, which is situated behind the wicket **A** on the backside of the MANIFOLD system.



T060-0114

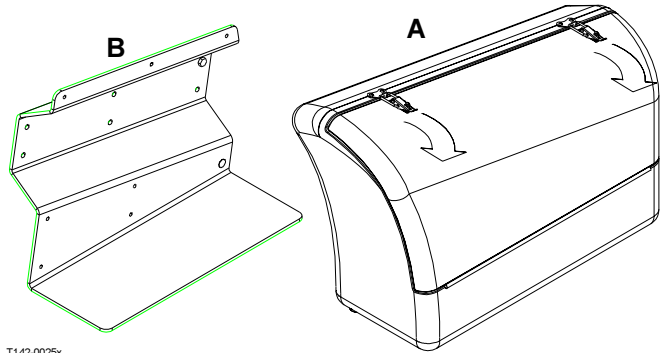
Tank level indicator

The actual tank level in the main tank can be observed on the tank level indicator **B**. The scale is displayed in litres or Imp. gal/US gal. (certain countries).

Large storage Locker (if fitted)

The locker **A** can be mounted on the sprayer's right side acting as a storage for sealed pesticide containers. The locker is fitted to a mounting **B**, which is bolted to the frame of the trailer.

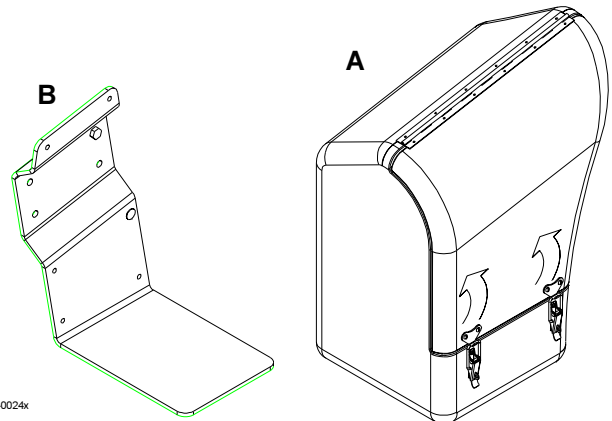
A drain in the bottom makes it possible to clean and drain the locker in case of leak by pesticide containers.



T142-0025x

Small storage Locker (if fitted)

The locker **A** can be mounted next to the HARDI FILLER. It is for the purpose of storing pesticide containers in use, nozzles, calibration- and compound equipment. The locker is fitted to a mounting **B**, which is bolted to the frame of the trailer.



T142-0024x

A drain in the bottom makes it possible to clean and drain the locker in case of leak by pesticide containers.

Front Locker (if fitted)

The locker is mounted to the front of the platform. It is for the purpose of storing non-contaminated protective gear, soap for hand washing etc.

The locker is split in two compartments for the separation of clean clothes from gloves with risk of contamination.

Sprayer setup

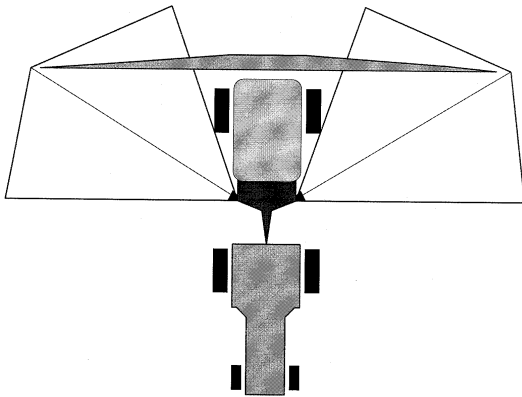


T060-0110

A soap dispenser can be fitted in a device on the inside of the locker door.

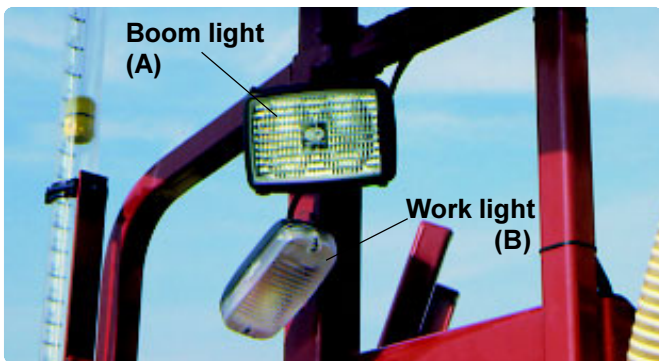
IMPORTANT! Although this locker is situated in the non-contaminated zone of the sprayer and is meant for storing nontoxic items, it must **never** be used for storing food, beverage or other things meant for consumption.

Boom and Work lights (if fitted)



T271-0009

The 2 boom light lamps **A** are mounted to the railing of the platform (one at each side) and are positioned to lighten both boom wings.



T060-0111

The work light lamp **B** is also mounted to the railing of the platform above the MANIFOLD valves. This lamp is positioned to lighten the HARDI FILLER + the MANIFOLD system.

It is recommended to switch of the rear lights of the tractor in order to save power consumption and to avoid reflection.

Power supply is via the 7-pin socket. Please see the *Installation Instruction* in the part *Technical specifications*.

Selector switch

When mounting the selector switch **A** it is simply "clicked" into the cutout in the frame below the MANIFOLD valves and is thereby fastened to the frame.



T060-0112

The switch has three positions:

1. Boom lights ON



2. Lights OFF (neutral)

3. Work light ON



T040-0000

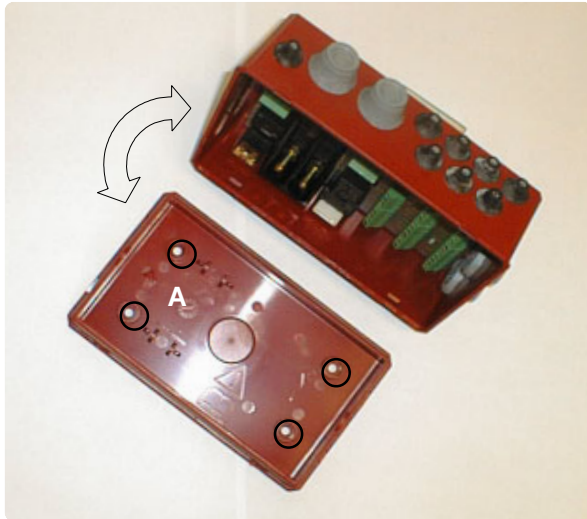
T040-0001

Connection box

The connection box is to be mounted underneath the platform floor.

1. Lift the platform floor
2. Open the connection box and mount the flat part of the box (**A**) by 4 screw to the 4 predrilled holes in the platform floor.

Sprayer setup



T060-0123

Crop protection Kit (if fitted)

The kit consists of sheet, straw dividers and wheel brake covers.

Sheet

The PVC sheet is fitted underneath the trailer and covers the undercarriage of the chassis



T060-0113

The sheet is lead through guiding rails fastened on both sides of the trailer.



T066-0073

Each cutout in the shield is then fastened with a matching locking device, which are mounted along the lower part of the sprayer.



T066-0074

Strawdividers

A strawdivider can be fitted on each trailer wheel.



T060-0125

Wheel brake covers

A wheel brake cover **A** can be mounted in order to cover the brake



T060-0126

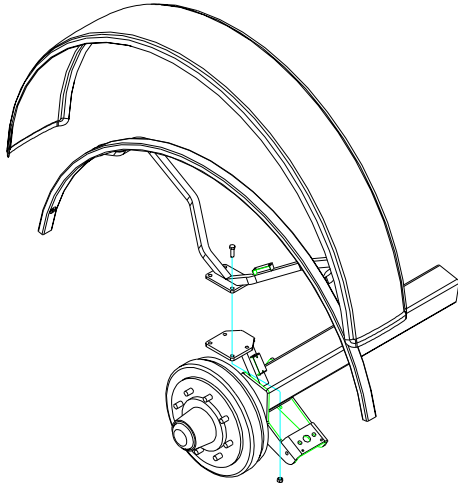
Sprayer setup

Mudguards (if fitted)



T060-0127

Mudguards can be fitted on the trailer wheels by means of a supporting frame which is bolted to a mounting on the wheel axle.



T162-0109x

Mudguards are available for all wheel configurations.

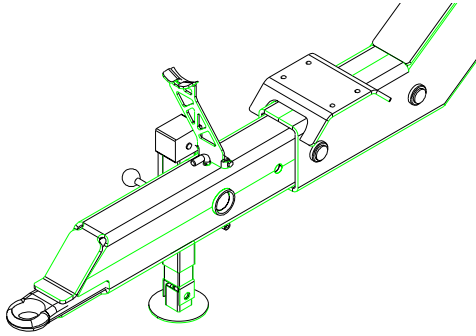
Sprayer setup

Disconnecting the sprayer

Always clean the sprayer - inside and outside - before disconnecting and parking it.

Support leg

Before disconnecting from the tractor, make sure the support leg is properly fitted and secured by lynch pin.



T251-0012x

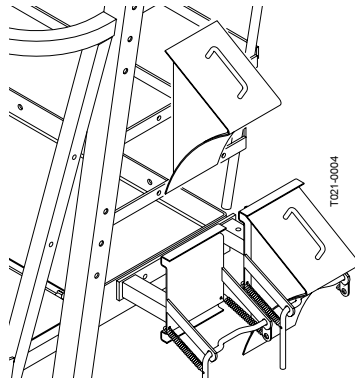
The support leg is stored in the bracket on the right side of the trailer when the sprayer is attached to the tractor. To remove the support leg: Lift the leg, remove the lynch pin and pull out the support leg.



WARNING! To prevent the sprayer from tipping over, do not disconnect the sprayer from the tractor with the booms unfolded unless the boom is supported!

Always engage the parking brake (if fitted).

If no parking brake is fitted, or if local regulations requires so, place stop wedges in front of and behind the wheels.



T251-0004

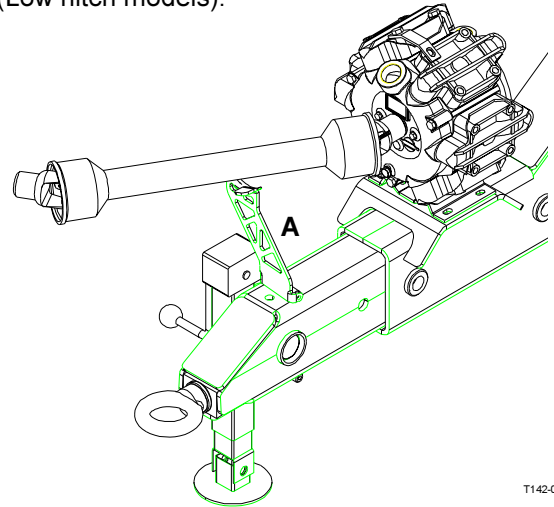
Remember to disconnect all hoses and cables from the tractor.



WARNING! If the sprayer is parked unattended avoid unauthorised persons, children and animals from having access to the sprayer.

Transmission shaft support

The transmission shaft rests on the bracket **A** when not in use (Low hitch models).



T142-0029x

At High hitch models the transmission shaft is placed in the hook underneath the drawbar when not in use

Operation

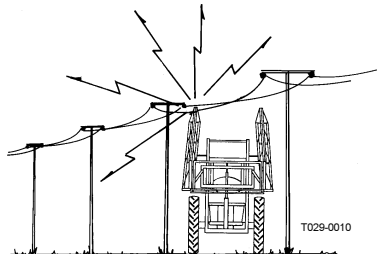
Operating instructions

Operating the boom



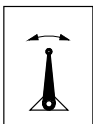
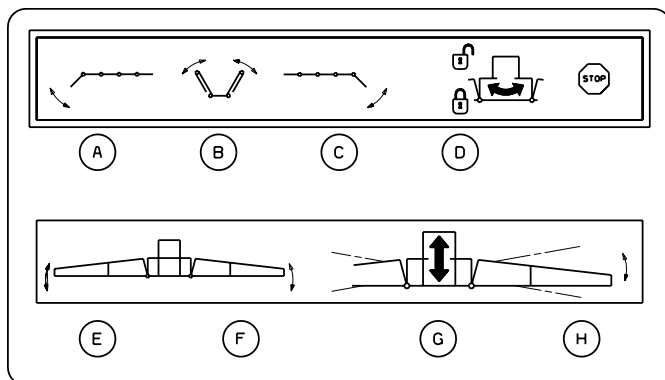
WARNING! Before unfolding the boom it is important to connect the tractor to prevent overbalancing of the sprayer.

DANGER! When folding and unfolding the boom, be sure that no persons or objects are in the operating area of the boom and that the boom cannot touch any electrical conductors.



OLH boom and OLV boom

Boom manoeuvring:



I

- A. Unfolding/folding of the left outer section
- B. Unfolding/folding of the inner section
- C. Unfolding/folding of the right outer section
- D. Pendulum locking device
- E. Boom Tilt, left side (OLH only)
- F. Boom Tilt, right side (OLH only)
- G. Boom lift, up/down
- H. Slanting control, pendulum
- I. Drawbar mode (STEER TRACK only)

Unfolding of OLH and OLV boom

To unfold the boom, carry out following procedure:

1. Push boom lift switch **G** up-wards to lift the boom clear of the rear transport brackets.

NOTE! Ensure that the booms are clear from the transport brackets before unfolding is proceeded.

2. Lift the right and left boom parts by activating the boom tilt function, switch **E** and **F**
3. Push switch **B** to unfold the inner sections completely
4. Push switch **A** and **C** to unfold outer sections completely
5. Push switch **G** down-wards to lower the boom to approximately 50 cm above crop- or ground level.
6. Unlock the pendulum suspension by pushing switch **D** upwards.

NOTE! The upper functions (in the red rectangle with STOP sign) must only be operated when the sprayer is stationary. Failure to do so will damage the boom!

Folding of OLH and OLV boom

When folding the boom, carry out following procedure:

1. Raise boom lift **G** to upper position.
2. Check that trapeze slanting control is in levelled to middle position - if not correct by activating switch **H**.
3. Lock pendulum locking device by pushing switch **D** downwards.
4. Fold outer sections, **A** and **C**.
5. Lift up right and left hand side boom by activating right and left boom tilt, **E** and **F**.
6. Fold inner sections by activating switch **B**.
7. Lower boom lift, **G**, until boom rests on rear transport brackets.
8. Lower right and left boom side until they touches the front transport brackets, by activating boom tilt **E** and **F**.

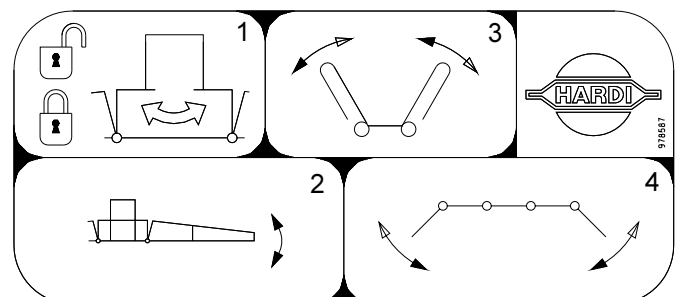
OLS boom

The OLS boom is equipped with I.A.H. system. The boom is operated via a joystick, mounted to the tractor's remote control lever in the tractor cabin.

This joystick must be connected to:

1. The hydraulic system
2. The power supply

On top of the joystick is placed a label, which refers to the four function buttons of the joystick.



Operation

1. Pendulum locking device
2. Slanting control
3. Unfolding/folding of inner sections
4. Unfolding/folding of outer sections

To unfold the OLS boom:

1. Lead the joystick forward/backward¹ to lift the boom clear of the transport brackets. Keep the joystick in this position while performing the following steps.

NOTE! Ensure that the booms are clear of the transport brackets, before unfolding is proceeded.

2. Press button 3 to unfold inner sections completely.
3. Press button 4 to unfold outer sections completely.
4. Lower the boom lift to correct working height (appr. 50 cm (20 in) above ground or crop).
5. Unlock the pendulum by activating button 1.

To fold the OLS boom:

1. Raise boom lift to upper position by leading the joystick forwards/backwards¹.
2. Check that the slanting control is in neutral position (midway) - if not, correct it by activating button 2.
3. Lock pendulum locking device by pushing button 1.
4. Press button 4 to unfold outer sections.
5. Press button 3 to unfold inner sections.
6. Lower boom lift until boom rests in the transport brackets.



WARNING! When driving on public roads the tractor hydraulic remote control levers must be locked to avoid unintended unfolding of the boom.

NOTE! The boom must only be unfolded/folded when the vehicle is stationary. Failure to do so will damage the boom!

¹ The direction of the oil flow determines whether the joystick makes the boom move forward or backward. To alter the direction of these movements, either switch the hydraulic hoses around or set the control lever in the opposite position.

Adjusting the pendulum effect (OLH/OLV/OLS)

The pendulum effect can be adjusted to match the local topography. For this purpose the 2 bottom steering arms can be locked in two different positions.

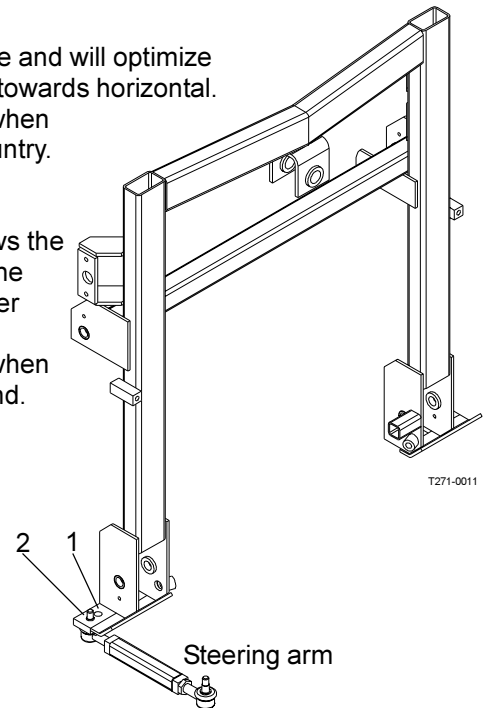
IMPORTANT! Only loosen and change position of one steering arm at the time; never loosen both arms simultaneously.

POSITION 1:

The boom is free and will optimize the suspension towards horizontal. Use position 1 when spraying flat country.

POSITION 2:

The boom follows the movements of the tractor to a higher extend. Use position 2 when spraying hilly land.



NOTE! Choose the same position (1 or 2) for both steering arms.

Operation

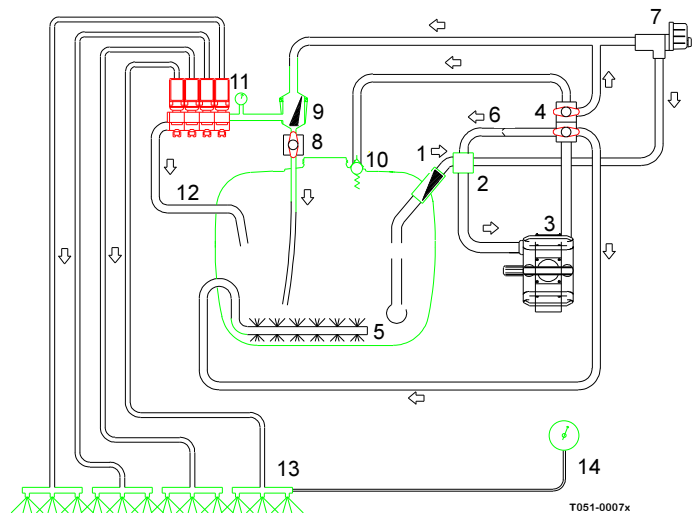
Operating the liquid system MANIFOLD SYSTEM

The MANIFOLD SYSTEM is located at the left side of the sprayer and permits operation of the liquid system from one position. The sprayer can be equipped with either a conventional liquid system or a High Capacity Fluid system. The operation of the liquid system is identical for both systems.

The modular MANIFOLD system facilitates the addition of up to two optional extras - equal to four functions - on the pressure side and one extra - equal to two functions - on the suction side.

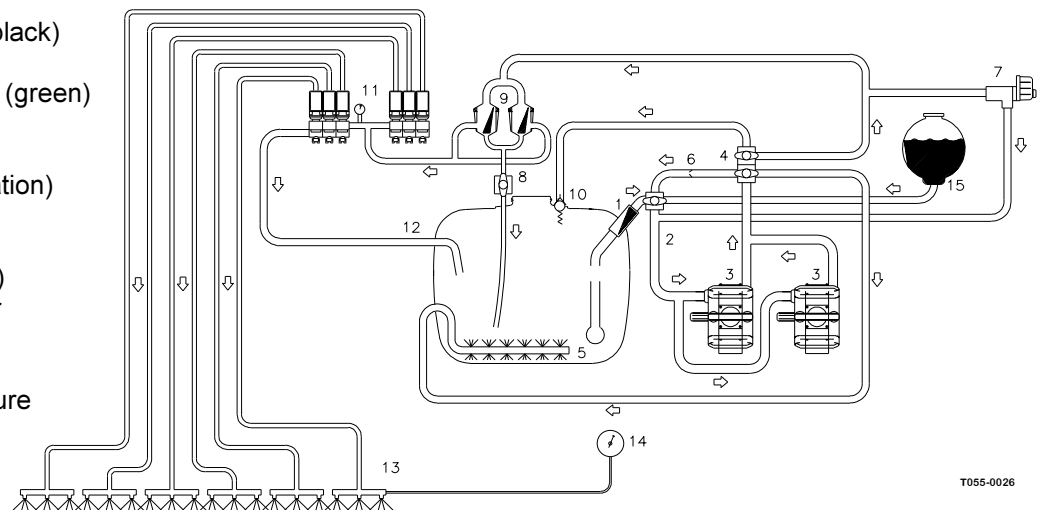
Function diagram - conventional liquid system

1. Suction filter
2. Suction manifold (black)
3. Double pump
4. Pressure manifold (green)
5. Agitation
6. Without agitation (pressure equalisation)
7. HARDI MATIC
8. Return line (Self-cleaning filter)
9. Self-Cleaning Filter
10. Safety valve
11. Distribution valves
12. Return from Pressure Equalisation
13. Sprayer boom
14. Pressure gauge
15. Rinsing tank



Function diagram - High Capacity Fluid System (HCFS)

1. Suction filter
2. Suction manifold (black)
3. Pump
4. Pressure manifold (green)
5. Agitation
6. Without agitation (pressure equalisation)
7. HARDI MATIC
8. Return line (Self-cleaning filter)
9. Self-Cleaning Filter
10. Safety valve
11. Distribution valves
12. Return from Pressure Equalisation
13. Sprayer boom
14. Pressure gauge
15. Rinsing tank



The High Capacity Liquid System is available for booms with a minimum size of 28 m working width. The HCFS is provided with a double pump (two 463 pumps joined with a clutch). The pumps have parallel outlet and feeding. The HCFS is also provided with two self-cleaning filters, operated simultaneously via the yellow disc on the MANIFOLD system. The EVC operating unit is split into two units. Tubes are made of stainless steel.

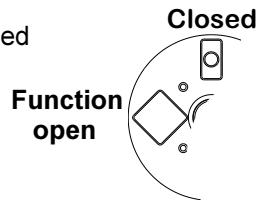
Operation

Use of MANIFOLD valve system

The following pictograms and colours are used for visualizing the functions of the MANIFOLD valves:

Green disc = Pressure valve	
Black disc = Suction valve	
Yellow disc = Self-cleaning filter	

A function is activated/opened by turning the handle towards the desired function



Yellow disc (self-cleaning filter)	
The disc has two positions; open or closed	

027

Pictograms - Black disc (suction)	
Suction from main tank	
Rinsing tank	
Filling device	




025

Pictograms - Green disc (pressure)	
Self-cleaning filter / Operating unit	
Fast filling device	
HARDI FILLER	
Agitation *	
Without agitation	
Tank flushing nozzle	
To main tank	
Spray gun	

026

*Agitation

Normally, Agitation should be on but please refer to the following rules of thumb:

1. Choose "Without Agitation" if a high level of effervescence occurs in order to reduce the amount of foam. 
2. Choose "Agitation" when using powder chemicals in order to avoid sedimentation. 
3. Close the valve if spraying with a high volume and it is impossible to achieve sufficient pressure. 

The valves and functions may vary from machine to machine depending on optional equipment fitted. Only the functions in use must be open - always close remaining valves.

Operation

To operate the spraying functions:

- Turn the handle on a green pressure valve towards the function desired
- Turn the handle on a black suction valve towards the desired function
- Close all remaining valves by setting the handle(s) on "O"

NOTE! If a MANIFOLD valve is too tight to operate - or if it is too loose (= liquid leakage), the 3-way-valve needs to be serviced. Please see the part "Occasional maintenance - Adjustment of 3-way-valve" for further information.

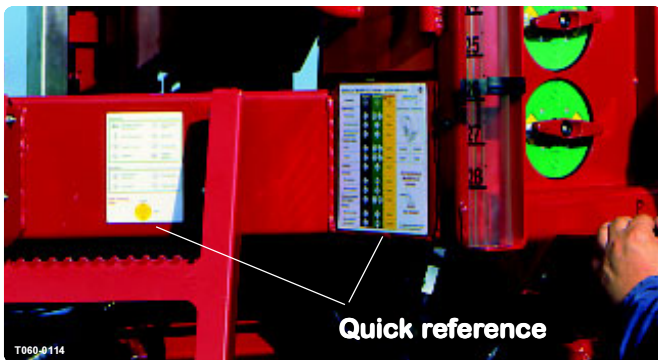
Electric operated MANIFOLD valves (if fitted)

One or more MANIFOLD valve(s) can be electrically operated via a control box in the tractor cab. These can only be operated manually when the power to the valve motor is disconnected first.

Quick reference

A quick reference - consisting of two labels - is accompanying this book (order no. 978055) .

The labels are meant to be fastened to the frame near to the MANIFOLD SYSTEM for easy "in field" operation of the valves.



Filling of water

Water can be filled into the main tank in five ways:

1. Filled through tank lid.
2. Filled by diaphragm pump through a suction side fitted filling device (optional extra) using normal pump capacity directly to the tank.
3. Filled by diaphragm pump through a pressure side fitted injector/venturi type Fast Filling Device (optional extra) providing up to 3 times normal pump capacity.
4. Combination of 2 and 3.
5. Quick coupler for external filling

The tank should normally be filled 1/3 with water, before adding the chemicals - always read instruction on chemical container!

NOTE! Max. permitted tank contents:

Model	Volume, water			Volume, liquid fertilisers*		
	Litre	Imp. gal	US gal	Litre	Imp. gal	US gal
2200 l	2200	484	580.8	2154	473.8	568.6
2800 l	2800	616	739.2	2154	473.8	568.6
3200 l	3200	704	844.8	3200	704	844.8
4200 l	4200	924	1108.8	3231	710.8	852.9

* Based on liquid fertilisers with specific gravity 1.3 chart 022

1. Filling through tank lid

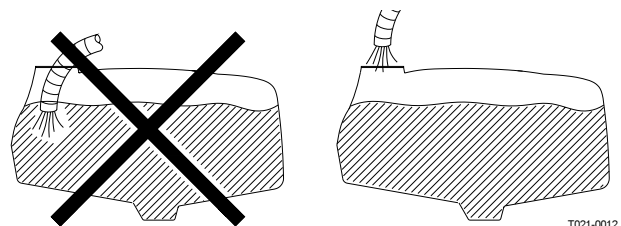
Remove tank lid and fill water through strainer to prevent rust or other particles to enter the tank.

An overhead tank can be used in order to obtain high filling capacity.

It is recommended to use as clean water as possible for spraying purposes.



WARNING! DO NOT LET FILLING HOSE ETC. ENTER THE TANK. KEEP IT OUTSIDE THE TANK, POINTING TOWARDS THE FILLING HOLE.



IF THE HOSE IS LEAD TO THE BOTTOM OF THE TANK, AND THE WATER PUMP AT THE WATER SUPPLY PLANT STOPS, CHEMICALS CAN BE SIPHONED BACK AND CONTAMINATE THE WATER SUPPLY LINES.

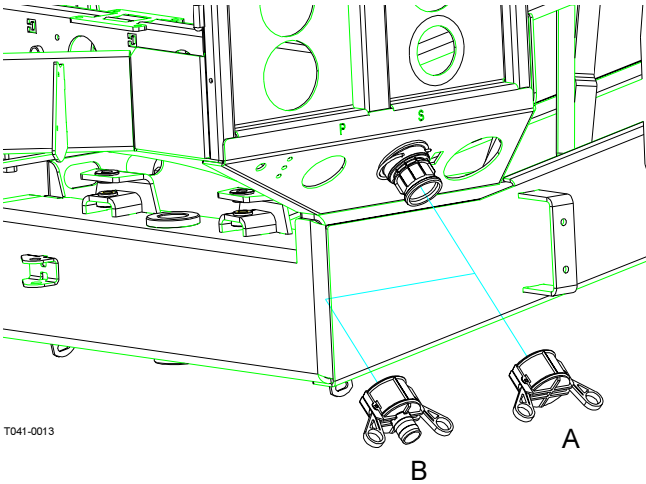
Operation

2. Suction Filling Device (if fitted)

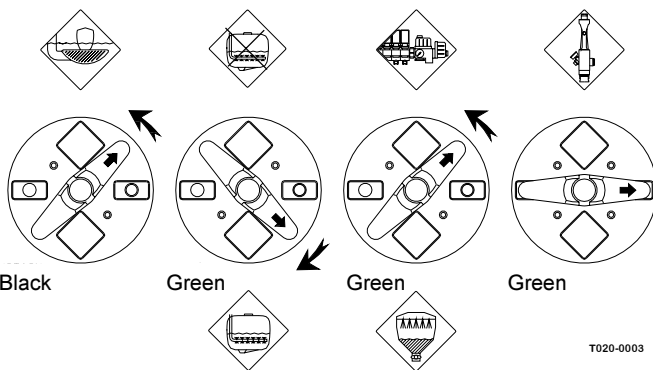


WARNING! Avoid contamination or personal injury. Do not open suction valve towards Suction Filling Device unless pump is running and filling hose is connected. If this valve is opened without pump running, liquid will stream out of the MANIFOLD.

The Suction Filling Device is operated as follows:



1. Remove cover **A**, and connect suction hose **B** to Suction Manifold.
2. Engage diaphragm pump and set P.T.O. revolutions at 540 r/min or 1000 r/min (depending on pump model)
3. Turn handle on Suction Manifold towards Filling Device.



4. The tank is now filled with water. Keep an eye on the liquid level indicator.
5. Turn handle on Suction Manifold away from Filling Device to discontinue filling process. Then disengage pump.
6. Disconnect suction tube **B** and replace cover.

NOTE! Observe local legislation regarding use of Filling Device. In some areas it is prohibited to fill from open water reservoirs (lakes, rivers etc.). It is recommended

only to fill from closed reservoirs (mobile water tanks etc.) to avoid contamination.

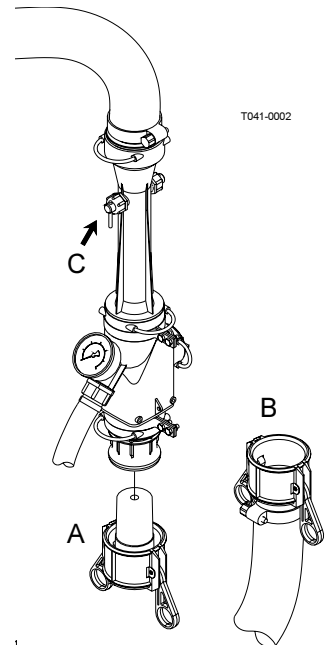


WARNING! If suction hose/filter is carried on the sprayer during spraying, it can be contaminated by spray drift which will be transferred to lake/river when filling!

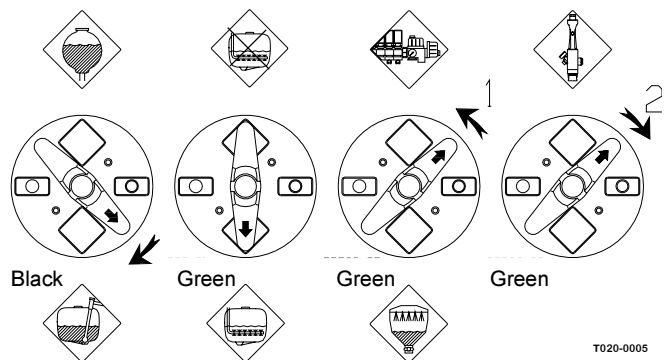
3. Fast Filling Device (if fitted)

The Fast Filling Device is operated as follows:

1. Ensure spray liquid tank contains at least 50 litres of water.
2. Remove cover (**A**) and connect suction hose (**B**).
3. Turn handle on Pressure Manifold towards Fast Filler. With the P.T.O. at 540 r/min or 1000 r/min (depending on pump model), the pressure gauge should indicate about 10 bar.
4. If water is not seen in the transfer tube, prime by turning valve (**C**).
5. Keep an eye on the liquid level indicator.
6. Turn handle on Pressure Manifold away from Fast Filler to discontinue filling process.



NOTE: Turn handle towards -operating unit **before** turning away from Fast Filler in order to avoid peak pressure blowing the safety valve!

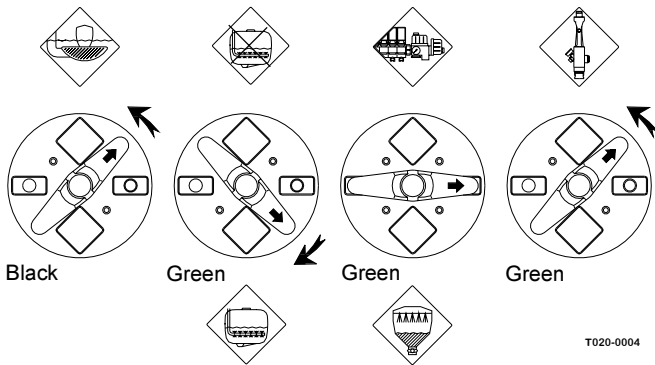


7. Disconnect suction tube (**B**) and replace cover.

Operation

4. Filling device and Fast filling device used simultaneously

The Filling Device and the Fast Filling Device can be used simultaneously - this gives even bigger filling capacity.



WARNING: Do not leave the sprayer whilst refilling the tank, and keep an eye on the level gauge in order **NOT** to overfill the tank!

NOTE! Observe local legislation regarding use of Filling Device. In some areas it is prohibited to fill from open water reservoirs (lakes, rivers etc.). It is recommended only to fill from closed reservoirs (mobile water tanks etc.) to avoid contamination.



WARNING! If suction hose/filter is carried on the sprayer during spraying, it can be contaminated by spray drift, which will be transferred to lake/river when filling!

5. Quick coupler for external filling



The quick coupler is operated as follows

1. Fit the external water hose to the quick coupler on the trailer.
2. Close self-cleaning filter.
3. Turn handle on Pressure Manifold towards Main tank.
4. Turn handle on Suction Manifold towards Filling device.

5. Depending on the chemical in question, the Pressure Manifold can be set on "Agitation". If no agitation is needed, this valve must be closed.
6. Engage the P.T.O. and start the pump.



WARNING: Do not leave the sprayer whilst refilling the tank, and keep an eye on the level gauge in order **NOT** to overfill the tank!

Filling of rinsing tank (if fitted)

The rinsing tank is situated under the main tank. Only fill this tank with clean water.

The rinsing tank is filled through the inlet, situated beneath the Suction Manifold valves. Water can be filled directly through the inlet - or through a socket piece **A** (optional equipment) connected to a water hose.



Rinsing tank capacity

Model	Litre	Imp. Gal.	US Gal.
2200/2800	260	57	70
3200/4200	460	101	120

028

A water level indicator (limpid hose with floating ball) is situated beneath the platform.



Operation

NOTE! HEREAFTER ADJUSTMENT OF PRESSURE EQUALISATION WILL ONLY BE NEEDED WHEN:

1. YOU CHANGE TO NOZZLES WITH OTHER CAPACITIES
2. THE NOZZLE OUTPUT INCREASES AS THE NOZZLES WEAR

Operating the control unit while spraying

In order to close the entire boom, switch ON/OFF **A** to off position. This returns the pump output to the tank through the return system.

The diaphragm Non-drip valves ensure instantaneous closing of all nozzles.

In order to close one or more sections of the boom, switch the relevant distribution valve **V** to off position. The pressure equalisation ensures that the pressure does not rise in the sections which are to remain open.

When the sprayer is put aside, the control box and the multi plug must be protected against moisture and dirt. A plastic bag may be used to protect the multi plug.

Remote pressure gauge (if fitted)

The remote pressure gauge is integrated in the front locker. This gauge measures the working pressure in the boom tubes as close to the nozzles as possible. This pressure reading will always be slightly lower than the reading at the operating unit pressure gauge.

The outputs stated in the nozzle charts are always based on the pressure measured at the nozzle.

Always adjust pressure when calibrating and spraying according to readings at the Remote pressure gauge.



T060-0118

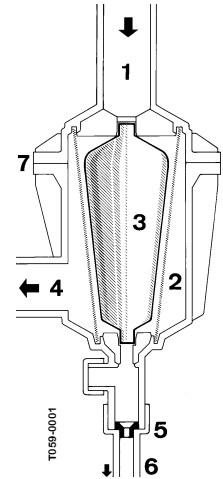
Filters

All filters should always be used and their function checked regularly. The mesh size of the filter in use should always be smaller than the flow average of the nozzles used. Therefore, pay attention to the correct combination of filters, mesh size.

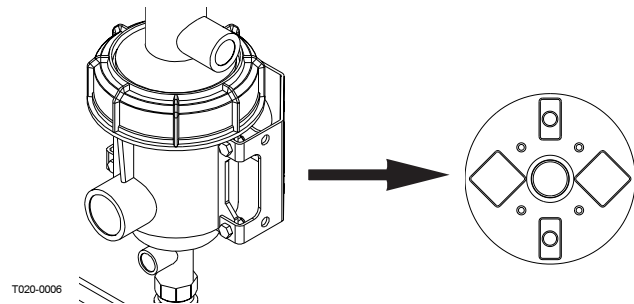
Self-cleaning filter

Operating diagram

1. From pump
2. Double filter screen
3. Guide cone
4. To operating unit
5. Replaceable restrictor
6. Return to tank
7. Screw-joint



The self-cleaning filter(s) is operated via the yellow MANIFOLD valve.



T020-0006

IMPORTANT! The yellow MANIFOLD valve should normally be open, but must be closed in the following cases:

1. If rinsing with water from the rinsing tank and a quantity of spray liquid still remains in the main tank (otherwise the spray liquid will be diluted).
2. If opening the self-cleaning filter(s) and a quantity of spray liquid still remains in the main tank (otherwise there is a risk that spray liquid will flow out).

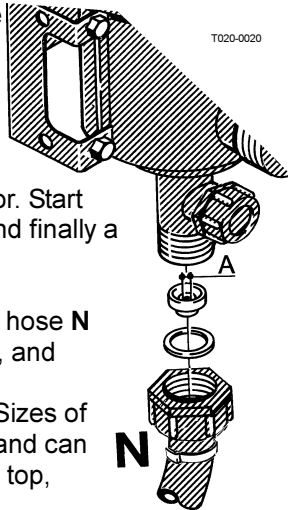
Choice of correct restrictor

It is important to have a large flow through the filter. This is achieved by choosing the restrictor size in relation to the liquid consumption of the spray boom.

4 restrictors are supplied. Use the green one (largest orifice) first.

Operation

The hose **N** is demounted at the self-cleaning filter, the restrictor is put in the hose and the hose is mounted again. If the required working pressure cannot be obtained, the restrictor is too large. Choose a smaller restrictor. Start with a black one, then a white and finally a red one.



When cleaning the filter remove hose **N** and the hose at the safety valve, and check there are no residue. Standard filter size is 80 mesh. Sizes of 50 and 100 mesh are available and can be changed by opening the filter top, and replace the strainer.

Check the O-rings before reassembling the filter and replace if damaged.

Filling of chemicals

Chemicals can be filled in the tank in two ways:

1. Through tank lid.
2. By means of HARDI FILLER chemical filling device.

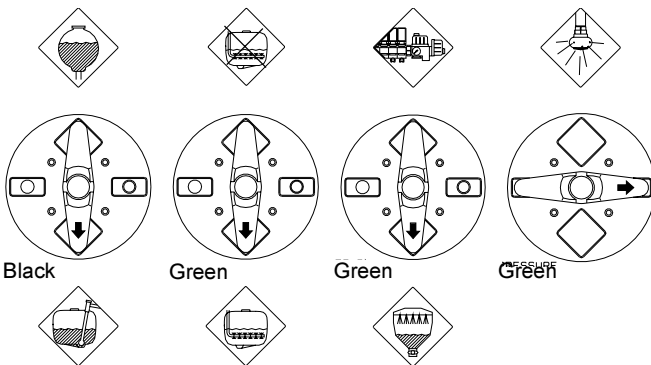
1. Filling through tank lid

The chemicals are filled through the tank lid - Note instructions on the chemical container!



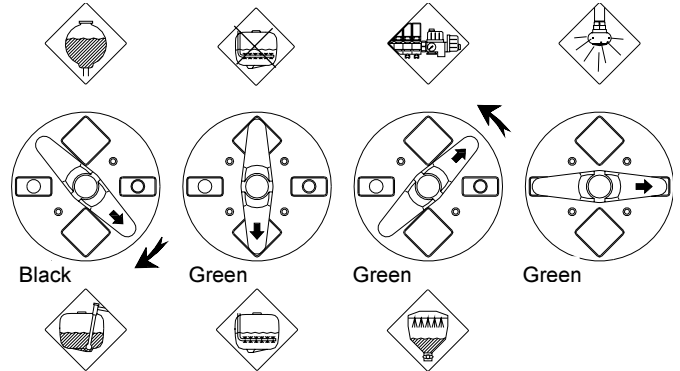
WARNING! Be careful not to slip or splash chemicals when carrying chemicals up to the tank lid!

1. Make sure the EVC is switched off.
2. Set the MANIFOLD valves to correct position. Black valve "Suction from main tank", green valve towards "Agitation"



3. Engage the pump and set P.T.O. revolutions to 540 r/min or 1000 r/min (depending on pump model).

4. Add the chemicals through the main tank hole.
5. When the spray liquid is well mixed, turn handle on the Pressure Manifold towards "Spraying" position. Keep P.T.O. engaged so the spray liquid is continuously agitated until it has been sprayed on the crop.



2. Filling by HARDI FILLER chemical inductor

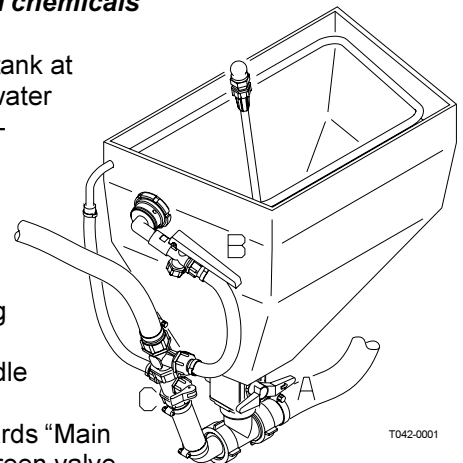
To get access to the HARDI FILLER, grab the handle and drag the HARDI FILLER the whole way down. Due to the spring loaded suspension, it will stay in this position. After use, it is pushed the whole way up again.



T060-0119

Filling of Liquid chemicals

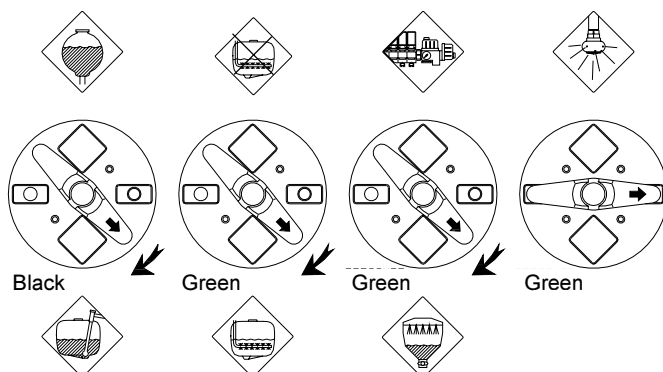
1. Fill the main tank at least $\frac{1}{3}$ with water (unless something else is stated on the chemical container label). See section "Filling of water".
2. Turn the handle at the Suction Manifold towards "Main tank". Turn green valve



T042-0001

Operation

towards "HARDI FILLER and the other green valve towards agitation. Close remaining valves.
3. Check that bottom valve **A** at the FILLER is closed.



4. Engage the pump and set P.T.O. speed at 540 r/min or 1000 r/min (depending on pump model).
5. Open FILLER lid.
6. Measure the correct quantity of chemical and fill it into the hopper.

NOTE! The scale in the hopper can only be used if the sprayer is parked at level ground! It is recommended to use a measuring jug for best accuracy.

7. Open the bottom valve **A** and the chemical is transferred to the main tank.
8. If the chemical container is empty it can be rinsed by the container rinsing device (if fitted). Place the container over the multi-hole nozzle and press the lever **B**.



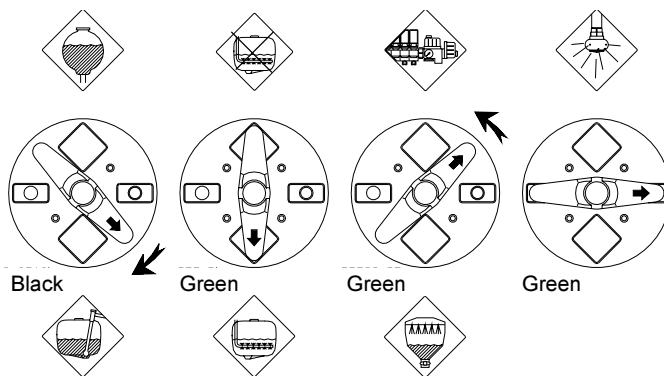
WARNING! Do not press lever **B** unless the multi-hole nozzle is covered by a container to avoid spray liquid hitting the operator.

IMPORTANT! Rinsing device uses spray liquid to rinse containers for concentrated chemicals. Always rinse the chemical containers with clean water several times until they are clean before disposal.

9. Engage the hopper rinsing device by opening valve **C**.
10. Close valve **C** again when the hopper is rinsed.

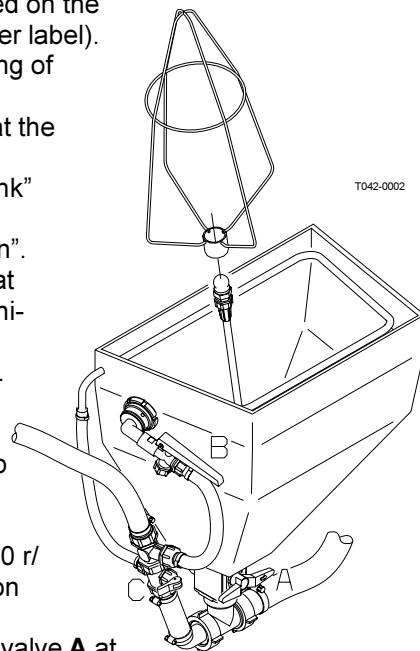
IMPORTANT! The hopper rinsing device is using spray liquid for rinsing the hopper for concentrated chemical! The FILLER must always be cleaned together with the rest of the sprayer when the spray job is done.

11. Close valve **A** and the FILLER lid again.
12. When the spray liquid is well mixed, turn handle on the Pressure Manifold towards "Spraying" position. Keep P.T.O. engaged so the spray liquid is continuously agitated until it has been sprayed on the crop.



Filling of Powder chemicals

1. Fill the main tank at least $\frac{1}{2}$ with water (unless something else is stated on the chemical container label). See section "Filling of water".
2. Turn the handle at the Suction Manifold towards "Main tank" and green valve towards "Agitation". Turn the handle at the Pressure Manifold towards "HARDI FILLER". Close remaining valves.
3. Engage the pump and increase P.T.O. speed to 540 r/min or 1000 r/min (depending on pump model).
4. Open the bottom valve **A** at the FILLER. Open FILLER lid.
5. Engage the hopper rinsing device by opening valve **C**.
6. Measure the correct quantity of chemical and sprinkle it into the hopper as fast as the rinsing device can flush it down.
7. If the chemical container is empty it can be rinsed by the container rinsing device (if fitted). Fit the bag bracket and place the powder bag over the multi-hole nozzle and press the lever **B**.



WARNING! Do not press lever **B** unless the multi-hole nozzle is covered by a container to avoid spray liquid hitting the operator.

IMPORTANT! Rinsing device uses spray liquid to rinse containers for concentrated chemicals. Always rinse the chemical containers with clean water several times until they are clean before disposal.

9. Close valve **C** again when the hopper is rinsed.

Operation

IMPORTANT! The hopper rinsing device is using spray liquid to rinse the hopper for concentrated chemical. The FILLER must always be cleaned together with the rest of the sprayer when the spray job is done.

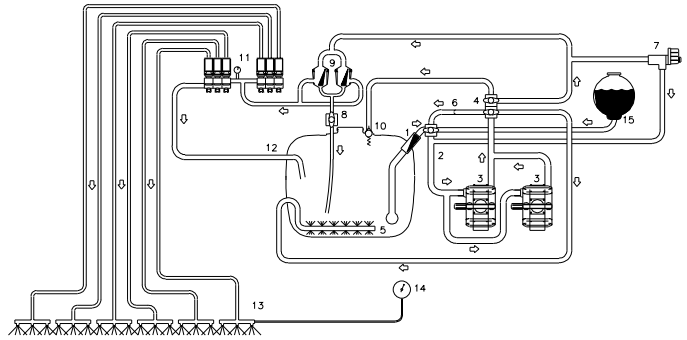
10. Close valve **A** and the FILLER lid again.

11. When the spray liquid is well mixed, turn handle on the Pressure Manifold towards "Spraying" position. Keep P.T.O. engaged so the spray liquid is continuously agitated until it has been sprayed on the crop.

Use of rinsing tank and rinsing nozzles (if fitted)

The incorporated rinsing tank can be used for two different purposes.

A. In-field diluting of remaining spray liquid residue in the spraying circuit for spraying the liquid in the field, before cleaning the sprayer.



1. Empty the sprayer as much as possible. Turn the green pressure valve towards "No Agitation" and spray till air comes out of all nozzles.



2. Remove the tank filter basket.

3. Turn black suction valve towards "Rinsing tank".



4. Turn green pressure valves towards "Rinsing nozzle" (if fitted).



5. Engage and set the pump at approx. 300 r.p.m.

6. When rinsing water corresponding to approx. 10 times the spray liquid residue (see paragraph "Technical Residue") is used, turn black suction valve towards "Suction from main tank" and operate all valves, so all hoses and components are rinsed.



7. Turn green pressure valve back to "Operating unit" and spray liquid in the field you have just sprayed.



8. Repeat point 3-7 until the rinsing tank is empty.

B. Rinsing the pump, operating unit, spray lines, etc. in case of stop in spraying before main tank is empty (e.g. beginning rain etc.).

1. Close Self-cleaning filter (yellow valve).



2. Turn black suction valve towards "Rinsing tank".

3. Turn green pressure valve towards "No Agitation".



4. Engage the pump and spray water from rinsing tank in the field until all nozzle tubes/nozzles are flushed with clean water.

5. Disengage pump again.

6. Open Self-cleaning filter again.

Operation



WARNING! The rinsing nozzles cannot always guarantee a 100% cleaning of the tank. Always clean manually with a brush afterwards, especially if crops sensitive to the chemical just sprayed are going to be sprayed afterwards!

Technical Residue

Inevitably a quantity of spray liquid will remain in the system. It cannot be sprayed properly on the crop, as the pump takes in air when the tank is about to be empty.

This Technical Residue is defined as the remaining liquid qty. in the system as the first clear pressure drop on the pressure gauge is read.

Residue, litre				
	2200/2800	3200/4200	2200/2800	3200/4200
Dilutable residue ¹	-	-	-	-
Total residue ²	-	-	-	-

024

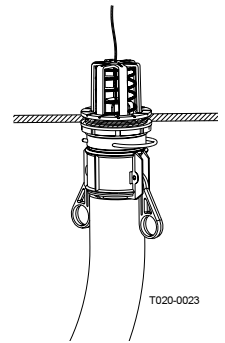
1) Residue in main tank, possible to dilute with water from rinsing tank

2) Total residue in tank and spraying circuit on standard sprayer. Variations due to different ground inclinations etc.

The dilutable residue must be diluted 10 times with clean water and sprayed to the crop just sprayed before cleaning the sprayer - See paragraph "Cleaning".

Draining a residue Using the drain valve

If draining a residue, e.g. liquid fertilisers into a reservoir, a snap coupler with hose can rapidly be connected to the drain valve, and the liquid can be let safely out.



T020-0023

Using the suction quick coupler

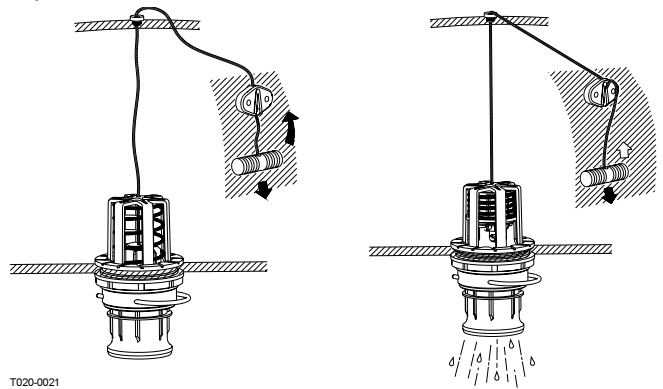
1. Connect the hose to the suction quick coupler on the trailer (pressure).
2. Turn the green valve towards "External tank".
3. Turn the black valve towards "Suction from main tank" and close Self-cleaning filter (yellow valve).
4. Engage the P.T.O to start the pump.



T060-0112

Operation of the drain valves Main tank

Pull the string at left hand side of the tank to open the drain valve. The valve is spring-loaded but can be kept open by pulling the string out and upwards in the V-shaped slit.



T020-0021
T020-0022

To release and close the drain valve again pull the string downwards and the valve will close automatically.

Operation

Rinsing tank

To avoid algae developing in the rinsing tank always drain the rinsing tank when the sprayer is not in use for a long period.

Spray Technique - see separate book

Safety precautions



Always be careful when working with crop protection chemicals!

Personal protection

Dependant on which type of chemical used, the following protective clothing/equipment should be used:

- Gloves
- Waterproof boots
- Headgear
- Respirator
- Safety goggles
- Chemical resistant overall

This equipment should be worn to avoid contact with the chemicals.



Protective clothing/equipment should be used when preparing the spray liquid, during the spraying work and when cleaning the sprayer. Also follow the recommendations on the chemical label.



It is always advisable to have clean water available, especially when filling the sprayer with the chemical.



Always clean the sprayer carefully and immediately after use.



Do not mix different chemicals in the tank.



Always clean the sprayer before changing to another chemical.

Maintenance

Maintenance - rules of thumb

In order to derive full benefit from the sprayer for many years the following service and maintenance program should be followed.

IMPORTANT! Always read the individual paragraphs. Read instructions for service/maintenance jobs carefully before starting on the job. If any portion remains unclear or requires facilities which are not available, then for safety reasons please leave the job to your HARDI dealer's workshop.

Cleaning the sprayer

Guidelines

1. Read the whole chemical label. Take note of any particular instructions regarding recommended protective clothing, deactivating agents, etc. Read the detergent and deactivating agent labels. If cleaning procedures are given, follow them closely.
2. Be familiar with local legislation regarding disposal of pesticides washings, mandatory decontamination methods, etc. Contact the appropriate department, e.g. Dept. of Agriculture.
3. Pesticide washings can usually be sprayed out on a soakaway. This is an area of ground that is not used for cropping. You must avoid seepage or runoff of residue into streams, water courses, ditches, wells, springs, etc. The washings from the cleaning area must not enter sewers. Drainage must lead to an approved soakaway.
4. Cleaning starts with the calibration, as a well calibrated sprayer will ensure the minimal amount of remaining spray liquid.
5. It is good practice to clean the sprayer immediately after use and thereby rendering the sprayer safe and ready for the next pesticide application. This also prolongs the life of the components.
6. It is sometimes necessary to leave spray liquid in the tank for short periods, e.g. overnight, or until the weather becomes suitable for spraying again. Unauthorised persons and animals must not have access to the sprayer under these circumstances.
7. If the product applied is corrosive, it is recommended to coat all metal parts of the sprayer before and after use with a suitable rust inhibitor.

Remember:

**Clean sprayers are safe sprayers.
Clean sprayers are ready for action.
Clean sprayers cannot be damaged by pesticides and their solvents.**

Cleaning the tank

1. Dilute remaining spray liquid in the tank with at least 10 parts of water and spray the liquid out in the field you have just sprayed - See paragraph "Use of rinsing tank and rinsing nozzles".

NOTE: It is advisable to increase the forward speed (double if possible) and reduce the pressure to 1.5 bar (20 psi).

2. Select and use the appropriate protective clothing. Select detergent suitable for cleaning and suitable deactivating agents if necessary.
3. Rinse and clean sprayer and tractor externally. Use detergent if necessary.
4. Remove tank and suction filters and clean. Be careful not to damage the mesh. Replace suction filter top. Replace filters when the sprayer is completely clean.
5. With the pump running, rinse the inside of the tank. Remember the tank roof. Rinse and operate all components and any equipment that has been in contact with the chemical.

Before opening the distribution valves and spraying the liquid out, decide whether this should be done in the field again or on the soakaway.

6. After spraying the liquid out, stop the pump and fill at least $\frac{1}{5}$ of the tank with clean water. Note that some chemicals require the tank to be completely filled. Add appropriate detergent and/or deactivating agent, e.g. washing soda or Triple ammonia.

NOTE! If a cleaning procedure is given on the chemical label, follow it closely.

7. Start the pump and operate all controls enabling the liquid to come in contact with all the components. Leave the distribution valves until last. Some detergents and deactivating agents work best if left in the tank for a short period. Check the label. The Self-Cleaning Filter can be flushed by removing the by-pass hose from the bottom of the filter. Stop the pump and remove the hose. Start the pump for a few seconds to flush filter. Be careful not to lose the restrictor nozzle.
8. Drain the tank and let the pump run dry. Rinse inside of the tank, again letting the pump run dry.
9. Stop the pump. If the pesticides used have a tendency to block nozzles and filters, remove and clean them now. Also check for sediment on the pressure side of the safety valve for the Self-Cleaning Filter.

Maintenance

10. Replace all the filters and nozzles and store the sprayer. If, from previous experiences, it is noted that the solvents in the pesticide are particularly aggressive, store the sprayer with the tank lid open.

NOTE! If the sprayer is cleaned with a high pressure cleaner lubrication of the entire machine is recommended.

Cleaning and maintenance of filters

Clean filters ensure:




- Sprayer components such as valves, diaphragms and operating unit are not hindered or damaged during operation.
- Nozzle blockages do not occur whilst spraying.
- Long life of the pump. A blocked suction filter will result in pump cavitation.

The main filter protecting sprayer components is the suction filter at the top of the tank. Check it regularly.

Maintenance

Lubrication

Recommended lubrication is shown in this table.

Lubricating points		Lubricant	
Ball bearings		A	Universal Lithium grease, NLGI No. 2 SHELL RETINAX EP2 CASTROL LMX GREASE
Slide bearings		B	Lithium grease with Molybdenumdisulphide or graphite SHELL RETINAX HDM2 CASTROL MOLYMAX
Oil lub. points		C	TOTAL Transmission TM SAE 80W/90 CASTROL EPX 80/W90 SHELL SPIRAX 80W/90 MOBIL MOBILUBE 80W/90

Always store lubricants clean, dry and cool - preferably at a constant temperature - to avoid contamination from dirt and condensed water.

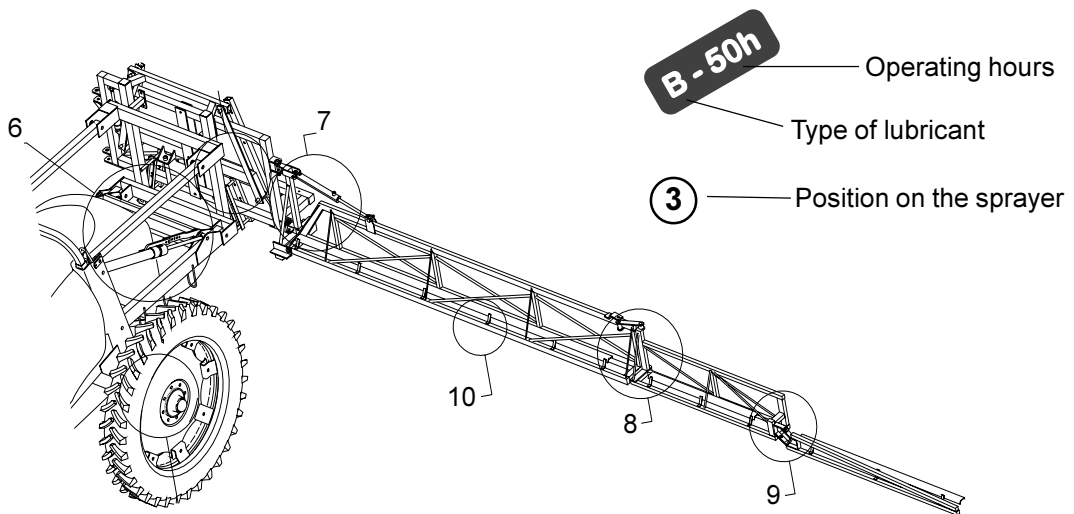
Keep oil filling jugs, hoppers and grease guns clean, and clean the lubricating points thoroughly before lubricating.

Avoid skin contact with oil products for longer periods.

NOTE! If the sprayer is cleaned with a high pressure cleaner or fertiliser has been used, lubrication of all sections is recommended.

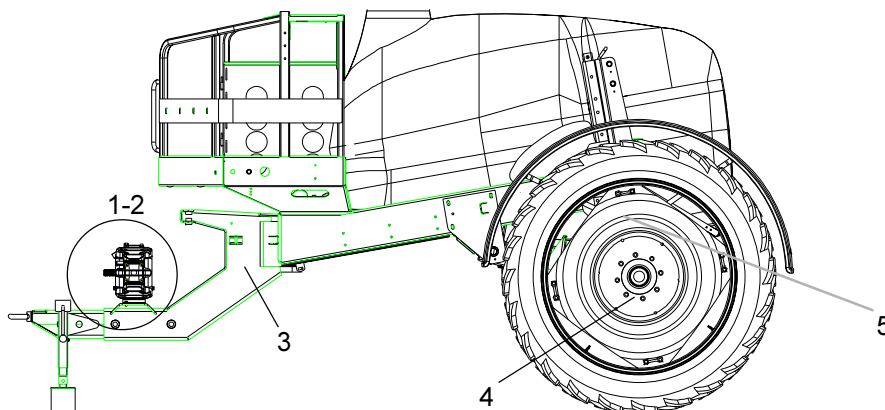
Lubricating points

Boom



T212-0004

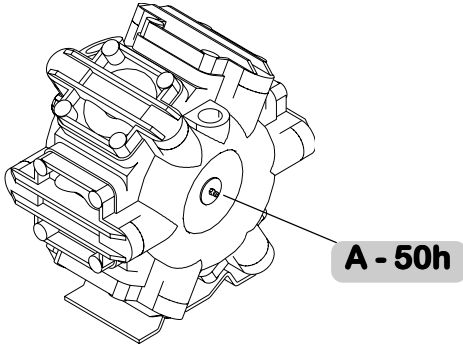
Trailer



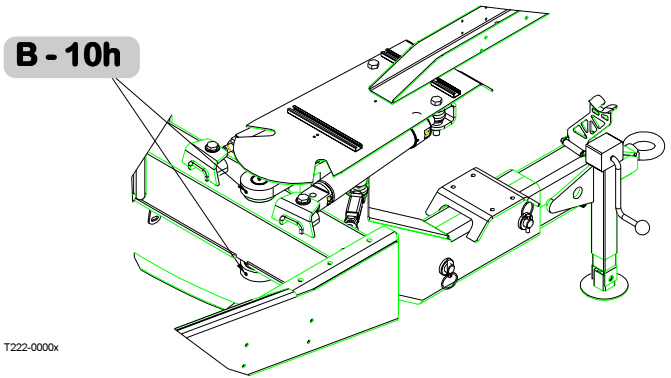
T112-0006x

Maintenance

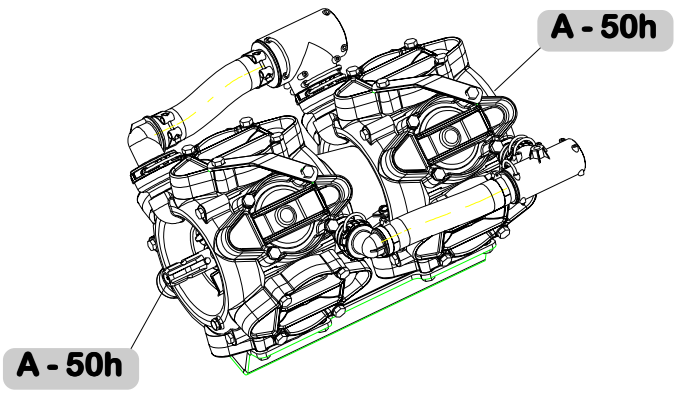
1



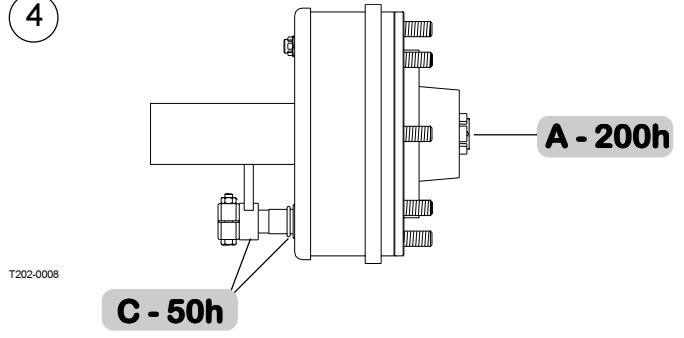
3 All models



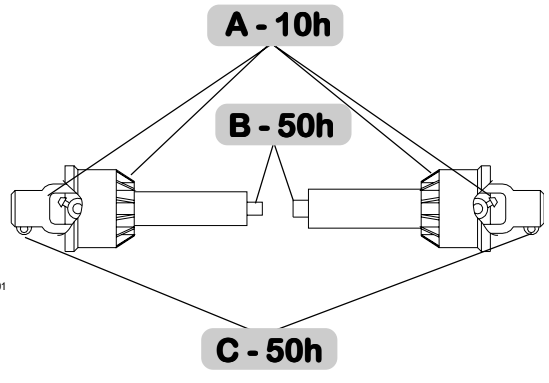
1 Double pump (HCFS only)



4

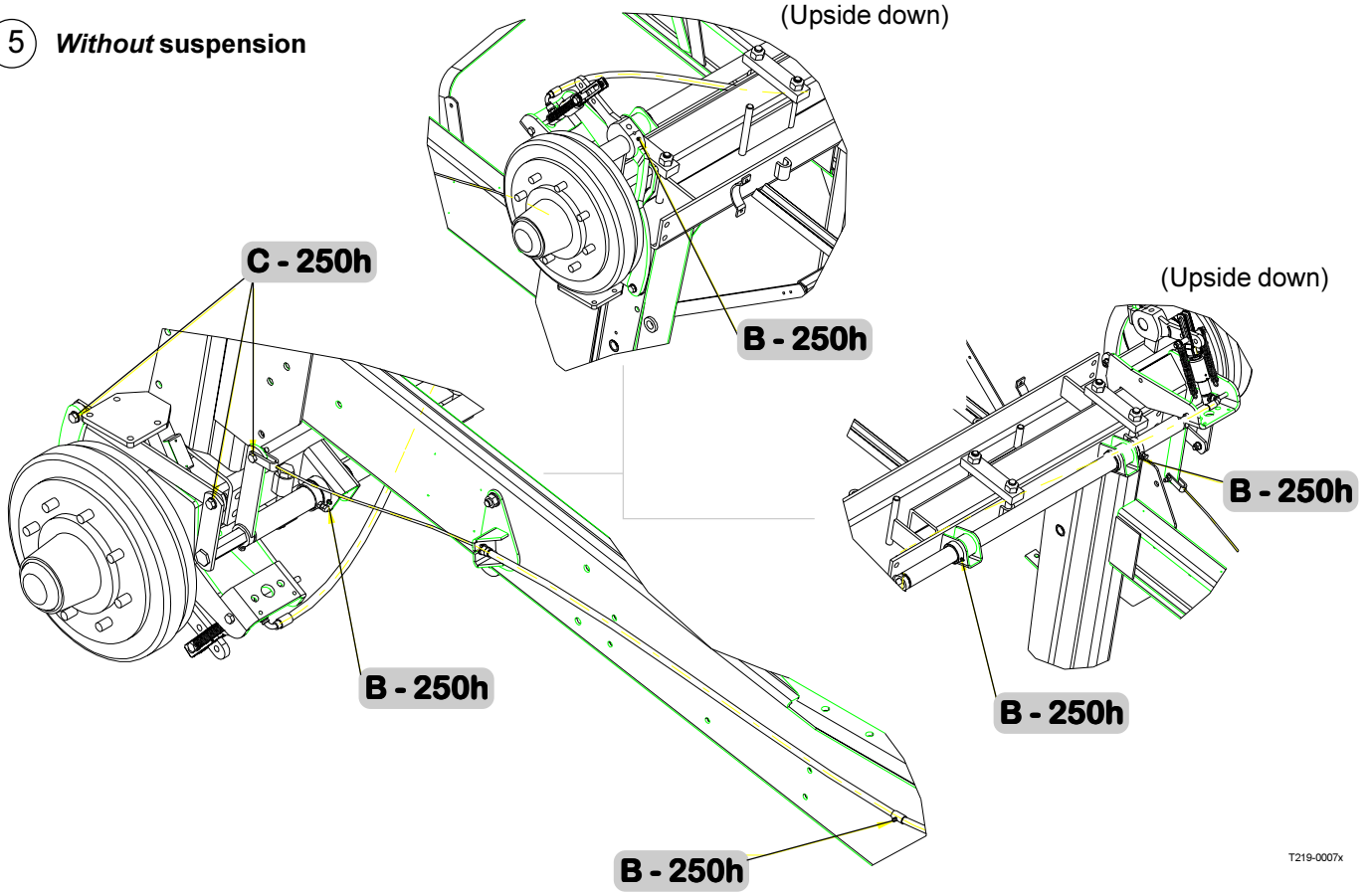


2

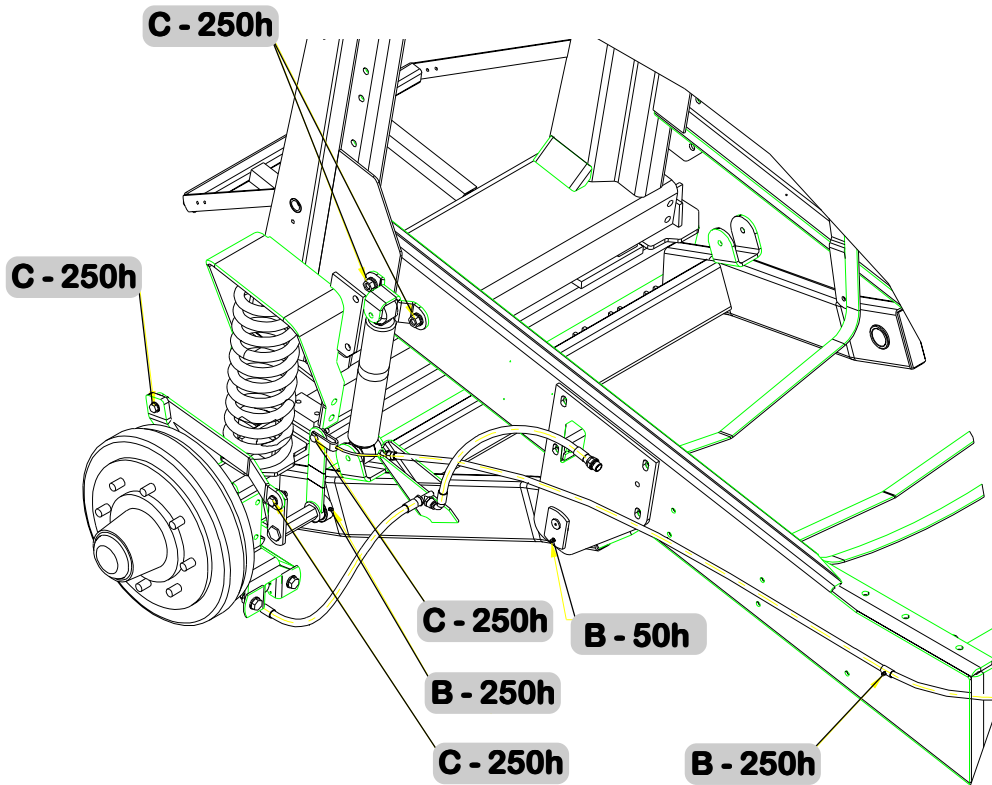


Maintenance

5 Without suspension

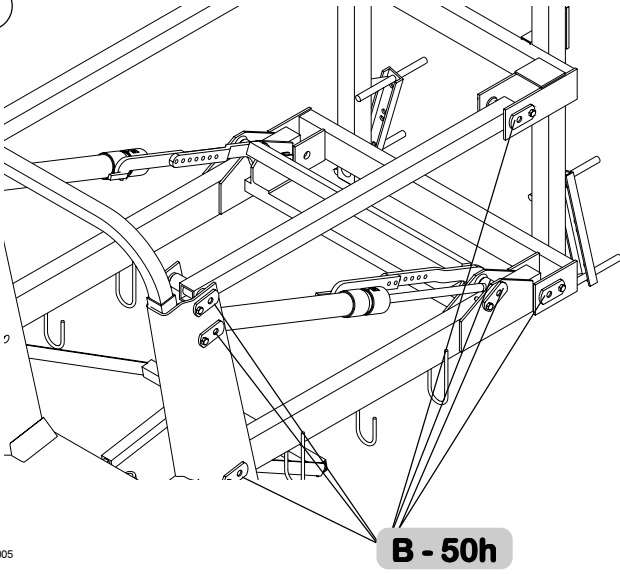


5 With suspension



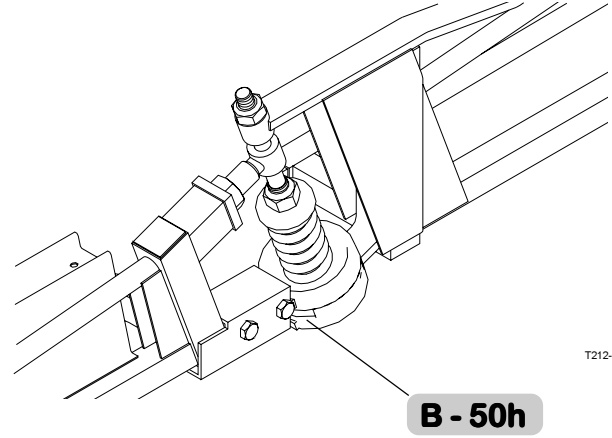
Maintenance

6



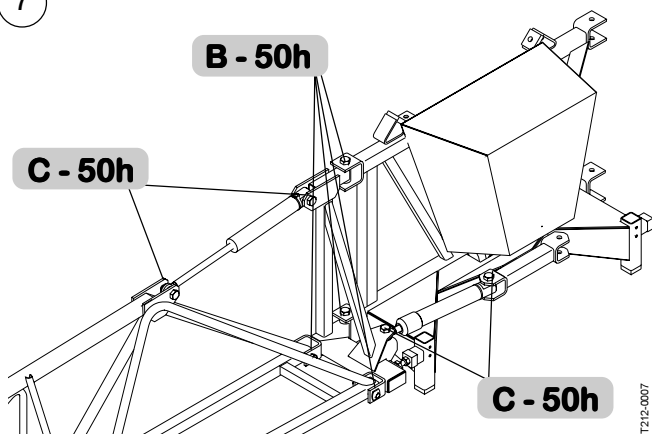
T202-0005

9



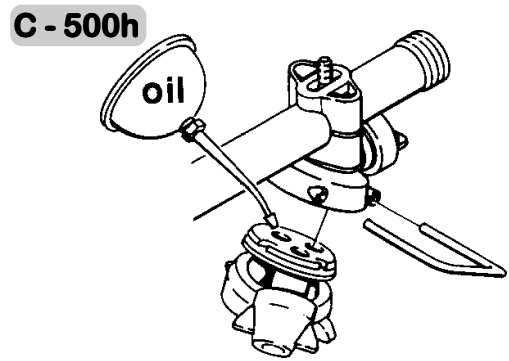
T212-0001

7



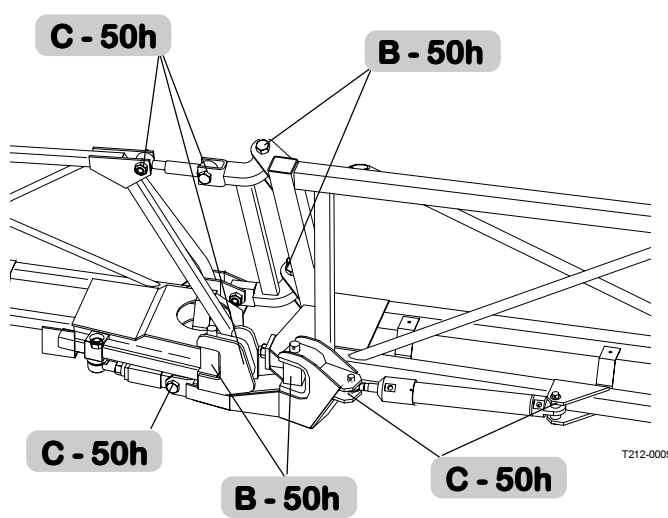
T212-0007

10



T219-0003

8



T212-0009

Maintenance

Service and Maintenance intervals

10 hours service

1. Suction filter, clean
2. Self-cleaning filter, check and clean gauze if necessary
3. In-line filters, clean
4. Nozzle filters, clean
5. Spraying circuit, check for leaks
6. Brakes Air tank, drain
7. Brakes, check
8. Retighten bolts (suspension only)

50 hours service

Do all previous mentioned +

1. Wheel bolts and nuts, tighten
2. Air brakes, check
3. Expansion bottle (SELF TRACK only), check air pressure
4. Transmission shaft, check
5. Tyre pressure, check

100 hours service

Do all previous mentioned +

1. Fixed drawbar, check/adjust

250 hours service

Do all previous mentioned +

1. Wheel bearings, check
2. Parking brake, inspect
3. Wheel brake, adjust
4. Air brake filters, clean
5. Hydraulic brakes, inspect
6. Hydraulic circuit, check
7. Expansion bottle (SELF TRACK only), check oil level
8. Hoses and tubes, check
9. Readjustment of the boom

1000 hours service or yearly, whichever comes first

Do all previous mentioned +

1. Wheel bearings and brakes, check
2. Transmission shaft, change parts

Maintenance

Occasional maintenance

Pump valves and diaphragms renewal
Cone check/renewal, EVC operating unit
Cone check/renewal, EVC distribution valve
Wear bush renewal, boom lift
Wear bush renewal, drawbar
Venting the hydraulic damping system (SELF TRACK)
TRACKER damper pressure setting (SELF TRACK)
Shock absorbers, inspect
Level indicator adjustment
Cord renewal, level indicator
Seal renewal, drain valve
Nozzle tubes and fittings
Replacement of transmission shaft protection guards
Replacement of transmission shaft cross journals
Adjustment of 3-way-valve
Change of bulbs
Adjustment of slanting control indicator cable
Change of tyres



Always check that all lock nuts are tight after adjustment

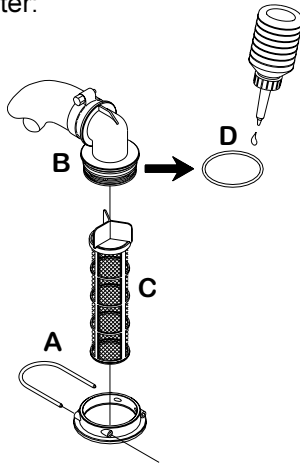
Maintenance

10 hours service

1. Suction filter

To service the suction filter:

1. Pull out the steel clip **A**.
2. Lift the suction hose fitting **B** from housing.
3. Filter guide and filter **C** can now be removed.



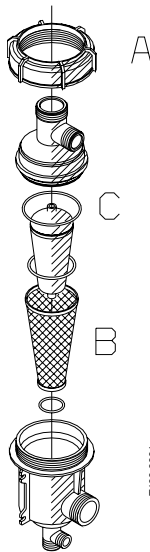
To reassemble:

4. Press the guide onto filter end.
5. Place the filter into housing with guide facing up.
6. Ensure the O-ring **D** on the hose fitting is in good condition and lubricated.
7. Refit the suction hose **B** and steel clip **A**.

T180-0003

2. Self-Cleaning Filter

1. Unscrew nut **A** and open filter.
2. Check filter gauze **B**, clean if necessary
3. Lubricate O-ring **C**
4. Assemble filter again.

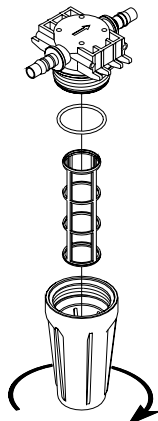


T180-0004

3. In-Line filter (if fitted)

If the boom is equipped with In-Line Filters unscrew the filter bowl to inspect and clean the filter.

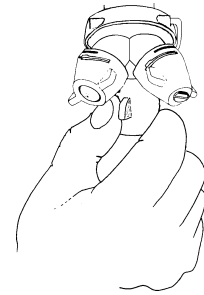
Alternative filters are available. See section on Technical specifications - Filters and nozzles.



T180-0005

4. Nozzle filters

Check and clean.



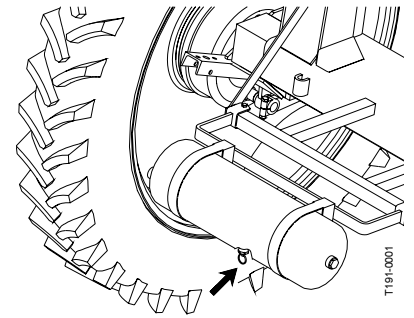
T180-0006

5. Spraying circuit

Fill with clean water, operate all functions and check for leaks using higher spray pressure than normal. Check nozzle spray patterns visually using clean water.

6. Brakes Air tank

Drain the air tank for condensed water at the drain valve.



T181-0001

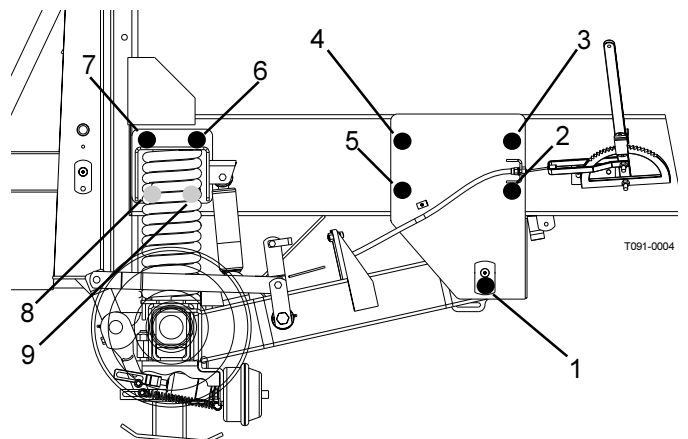
7. Brakes

Apply brake pedal and check function of trailer brakes.

8. Retighten bolts (suspension only)

Check that these 9 bolts - on each side of the COMMANDER - are tight. Retighten if necessary. Tightening torque: Bolt 1 = 24 Nm (retain nut on the backside of the mounting by a spanner while adjusting bolt 1).

Bolt 2-9: 280 Nm



T081-0004

Bolt 8 and 9 are situated behind the spring.

Maintenance

50 hours service

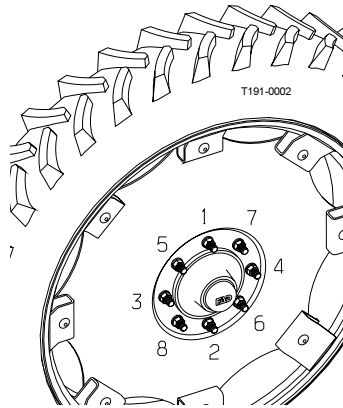
1. Wheel bolts and nuts

Tighten wheel bolts and nuts as follows with following torque wrench settings:

Wheel hub to rim plate:
490 Nm (362 lbft)

Rim plate to rim:
280 + 30 Nm
(207 + 22 lbft)

Tightening sequence:
See illustration (1-8).



2. Air brakes

The air brakes are checked for leaks by following procedure:

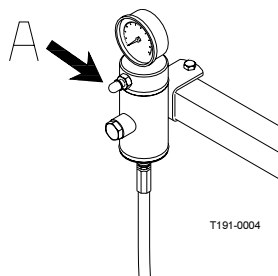
1. Connect the snap-couplers to the tractor and fill the trailer air tanks.
2. Check for leaks with brakes released.
3. Apply the brake up to full pressure.
4. Check for leaks with brakes applied.

3. Expansion bottle (SELF TRACK only)

Check air pressure in the expansion tank for the hydraulic damping at the pressure gauge.

Fill through valve A if necessary.

Air pressure: 5 bar (73 p.s.i.)



4. Transmission shaft

Check function and condition of the transmission shaft protection guards. Replace possible damaged parts

5. Tyre pressure

Check the tyre pressure according to the table below.

Tyre size RC 95	Recommended inflation pressure in bar (p.s.i.)	Minimum Load Index A8/A2
230/95 R44 (9.5 x 44)	3.6 (52)	134/145
230/95 R48 (9.5 x 48)	3.6 (52)	136/147
270/95 R44 (11.2 x 44)	3.6 (52)	140/151
270/95 R48 (11.2 x 48)	3.6 (52)	142/153
12.4 x 46	3.6 (52)	147/158
16.9 x 38	1.6 (23)	141/152
18.4 x 38	1.6 (23)	147/144
20.8 x 38	1.2 (18)	154/151

002

IMPORTANT! If renewing tyres always use tyres with min. load index as specified in the table.



WARNING! Never inflate tyres more than to the pressure specified in the table. Over-inflated tyres can explode and cause severe personal injuries! See the part *Occasional Maintenance - Change of tyre.*

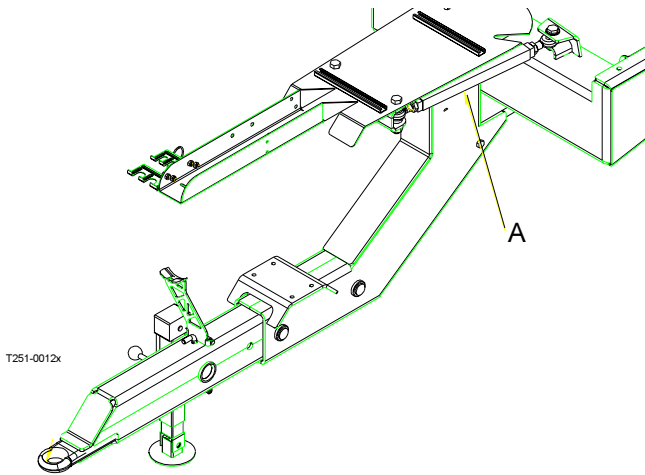
Maintenance

100 hours service

1. Check/adjust drawbar (Fixed drawbar only)

If too much play is found in the lateral movements of the drawbar it must be adjusted.

Regulate on the turnbuckles **A** on each side in order to adjust and centre the drawbar.



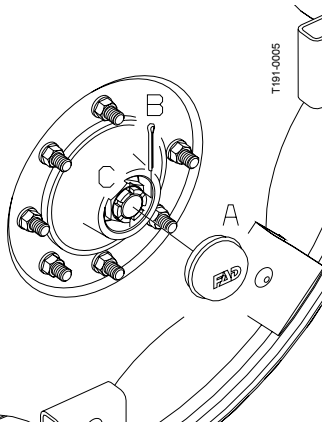
Maintenance

250 hours service

1. Wheel bearings

Check for play in the wheel bearings:

1. Place stop wedges in front of and behind LH wheel and jack up RH wheel
2. Rock the RH wheel to discover possible play in the bearings.
3. If any play, support the wheel axle to prevent the trailer from falling down from the jack.
4. Remove hub cap **A** and cotter pin **B**. Turn the wheel and tighten the castellated nut **C** until a slight resistance in the wheel rotation is felt.
5. Loosen the castellated nut until the first notch - horizontal or vertical - is aligned with the cotter pin hole in the shaft.
6. Fit a new cotter pin and bend it.
7. Fill the hub cap with fresh grease and press it on to the hub again.
8. Repeat the procedure on LH wheel.

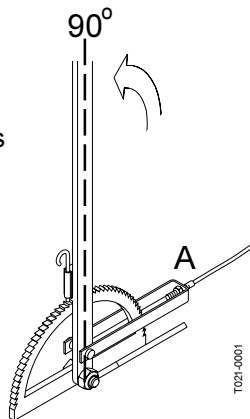


2. Inspect parking brake

Inspect the following:

The parking brake lever:

If it can be pulled further backwards than 90° (midway), using a traction of approximate 25 kg., the cable needs to be adjusted.



The parking brake cable:

When the parking brake is relieved, the cable must be limp; otherwise it needs to be adjusted.

Correct length: When the brake is relieved the cable must be tight and yet not stretched.

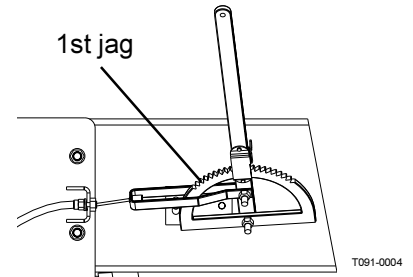
Lengthening/shortening of the parking brake cable is carried out by adjusting the nut **A**.

Inspect the parking brake cables for possible wear or damages. Replace worn or damaged parts.

3. Brake adjustment

Lift the back of the COMMANDER from the ground. It is recommended to use two lifting jacks, placed underneath the axle. Make sure the COMMANDER is stable and secured before carrying out any adjustments.

1. Place the handbrake in the first jag. (Please refer to illustration).

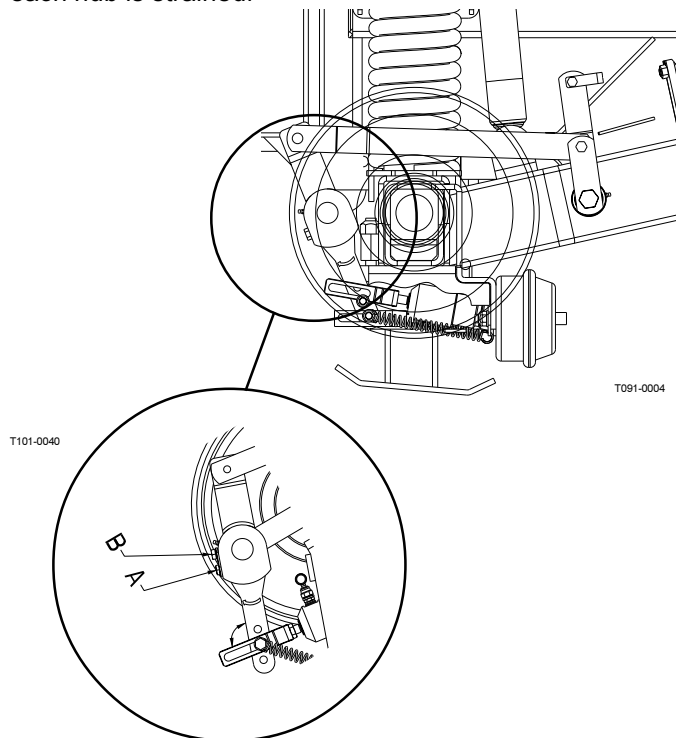


NOTE! The following adjustment must be carried out simultaneously on both brakes. Therefore, alternately adjust on both LH brake and RH brake.

2. Loosen nut **B**, lift and flip the small lock plate aside.
3. Adjust the nut **A** clockwise. Turn the nut 90° (1/4 turn) at a time - alternately on both LH and RH brake.

After each 1/4 turn:

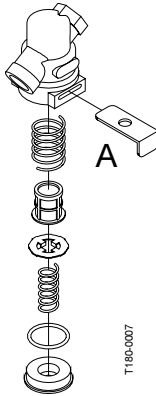
Check the hub by rotating it. Continue adjustment till resistance occurs. This adjustment is completed, when each hub is strained.



Maintenance

4. Air brake filters (if fitted)

1. Clean the area around air filter(s) and disconnect air hose from the tractor.
2. Hold one hand under the filter housing, and pull out the retainer clip **A**. The filter cartridge assembly will be pushed out by the springs inside the filter housing.
3. Clean the filter cartridge. Use water and an appropriate detergent or compressed air.
4. Dry the parts and reinstall in the order shown. The O-ring should be lightly lubricated with silicone grease before installation.



9. Readjustment of the boom

Please see next page.

5. Hydraulic brakes

Apply brakes to full pressure and inspect brake lines for damages or leaks. Replace damaged parts.

IMPORTANT! If the hydraulic brake lines have been dismantled the circuit must be primed afterwards:

1. Loosen brake hose at both brake cylinders.
2. Apply brake until oil without air bubbles come out.
3. Tighten brake hose before relieving the brake again.

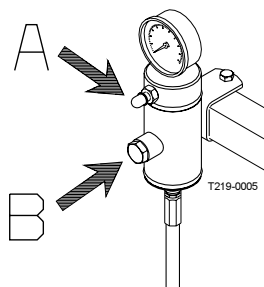
6. Hydraulic circuit

Check the hydraulic circuit for leaks and repair if any.

7. Expansion bottle (SELF TRACK only)

Check the oil level:

1. Depressurize the expansion bottle through valve **A** first.
2. Remove the level plug **B** and check that the oil level is reaching the level hole. Add if the level is low.
3. Tighten the plug again and inflate the bottle to 5 bar air pressure.



8. Hoses and tubes

Check all hoses and tubes for possible damages and proper attachment. Renew damaged hoses or tubes.

Maintenance

Readjustment of the boom(OLH, OLV and OLS)

After having used the sprayer for some days the boom should be adjusted according to the following instructions.

Before adjusting the boom, please go through this check list:

- The sprayer must be lubricated (Please see part about Lubrication)
- Tractor and sprayer must be placed on level ground
- The boom must be unfolded
- Set slanting angle at midway

Adjustment of hydraulic cylinders is done without pressure in the hydraulic system.



WARNING! NOBODY IS ALLOWED UNDER THE BOOM WHILE ADJUSTMENT IS CARRIED OUT.

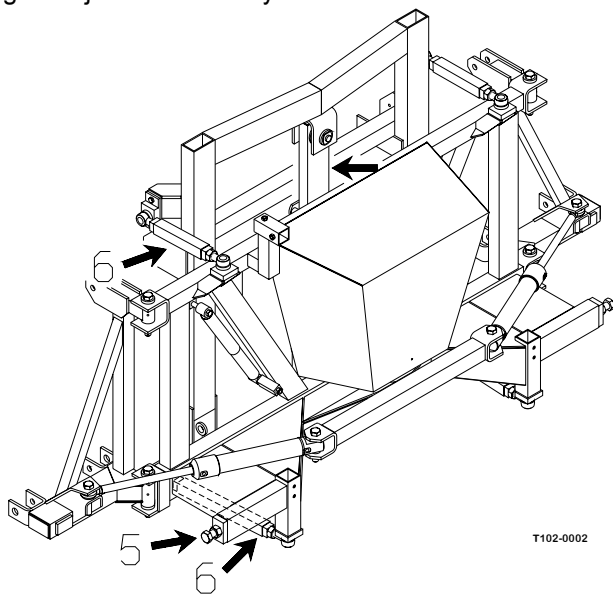
Adjustment of inner section folding

Adjust inner section/centre section alignment at adjustment screw **5**.

Adjustment of pendulum suspension

The boom must be adjusted in order to make the pendulum rod vertical.

Ensure that the stabilizer rods **6**, 2 by 2 are of the same length. Adjust if necessary.



T102-0002



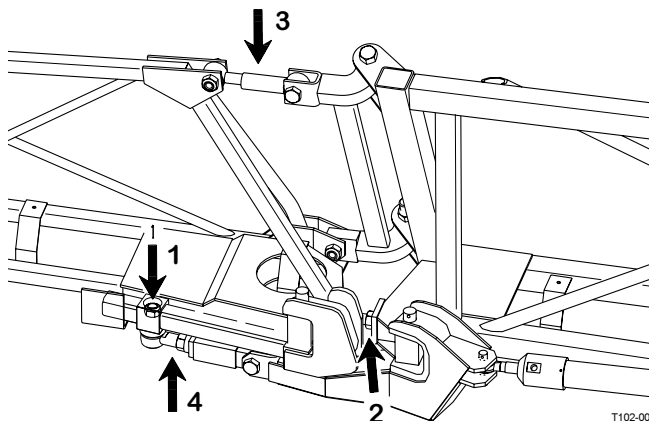
WARNING! Do not detach all stabilizer rods at the same time. The boom may fall out of the suspension and cause severe personal injury.

Adjustment of outer section folding

Fold the outer sections completely and remove bolt **1** from the ball joint rod.

Adjust inner/outer section alignment at adjustment screws **2** and **3**.

Adjust the length of ball joint rod **4**, until bolt **1** fits - assemble the locking device again.

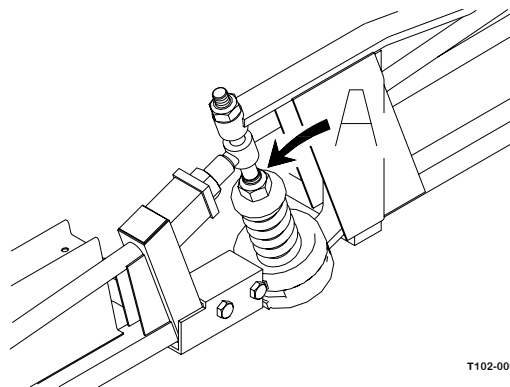


T102-0007

Break-away

The function of the break-away is to prevent or reduce boom damage, should it strike an object or the ground.

Adjust on screw **A** until the break-away will release by a force of 80 N at the extremity. The clutch must be well greased before adjustment is carried out.



T102-0001

IMPORTANT: Check that all counter nuts are tightened after adjustment.

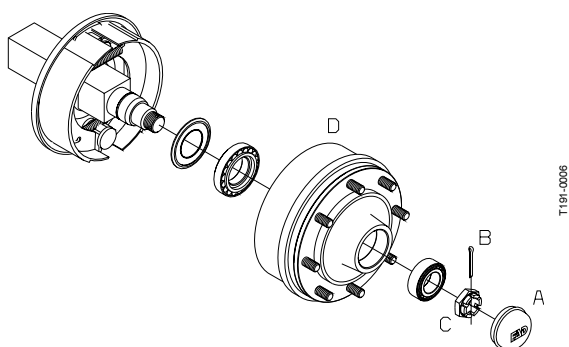
Maintenance

1000 hours service

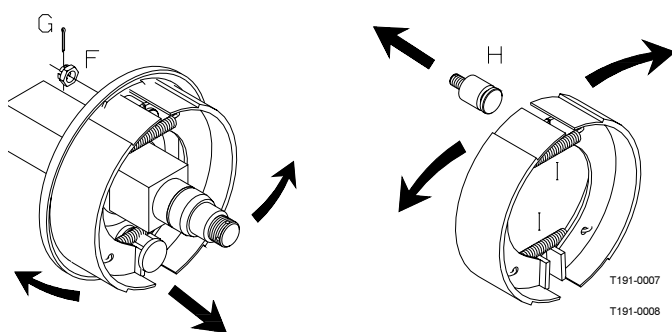
1. Wheel bearings and brakes

Check the condition of the bearings and brake wear parts in the following way:

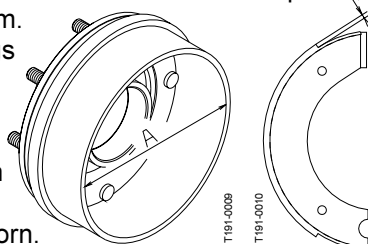
1. Place stop wedges in front of and behind LH wheel and jack up RH wheel.
2. Support the trailer with axle stands.
3. Remove the wheel.
4. Remove the hub cap **A**, cotter pin **B** and castle nut **C**.
5. Pull off the wheel hub and brake drum assembly. Use a wheel puller if necessary.
6. Vacuum clean the brake drum **D** for brake dust or rinse with water.



WARNING! Brake dust can cause severe health injuries! Avoid inhalation of brake dust! Use respirator when servicing the brakes. Do not clean brakes with compressed air! Use vacuum cleaner or rinse with water to avoid brake dust being blown around.



7. Rinse the remaining parts on the brake carrier plate with water and dry them.
8. Remove roller bearings **E**, clean all parts in degreasing detergent and dry them.
9. Check the brake drum diameter and lining thickness - renew if worn.



Max. wear rates on brake components, mm (in)		
Model	2200/2800	3200/4200
Max. drum diameter	A 302 (11.8897)	402 (15.8388)
Min. lining thickness	B 2.0 (0.07874)	4.0 (0.15748)

IMPORTANT! The specified min. thickness is the absolute minimum which must never be exceeded. Renew the parts if they would reach the above dimensions before next service inspection.

IMPORTANT! Renewal of brake linings or brake drums must be done both sides at the same time.

NOTE! If the brake drum must be removed from the hub, a hydraulic press is required to press the wheel studs out.

10. Remove the clevis pin between the air diaphragm cylinder and brake cam lever.
11. Remove the cotterpin **G** and nut **F**, the brake shoe anchor bolt **H** and slide the brake shoes over the cam. Twist the pair of brake shoes to remove the shoe return springs **I**. Replace brake shoes if the linings are worn.
12. Apply a small qty. of copper paste on moving parts and assemble the brake shoes and shoe return springs again.

WARNING! Do not get oil, grease or copper paste in contact with the brake linings and drums.

13. Fit the shoe assembly with the anchor bolt first. Then pull the shoes away from each other and slide them over the cam afterwards. Tighten the anchor bolt castellated nut again and fit a new cotter pin.
14. Check roller bearings for discoloration and wear - renew if worn or damaged.
15. Assemble the hub and bearings using a new sealing ring **J**.
16. Fill the hub and bearings with fresh grease before fitting it to the shaft.
17. Fit the castellated nut. Rotate the hub and tighten the castellated nut until a slight rotation resistance is felt.
18. Loosen the castellated nut again until the first notch is aligned with the cotter pin hole in the shaft.

NOTE! The shaft has a vertical and an horizontal cotter pin hole. Use the one first aligned with the notch when loosening the castellated nut.

19. Fit a new cotter pin and bend it.
20. Fill the hub cap with fresh grease and carefully press it on to the hub.
21. Adjust the brakes as described in "200 hours service".
22. Fit the wheel again and tighten the wheel nuts. See section "50 hours service" regarding torque wrench setting. Tighten all bolts to half the specified torque first, then to the full specified torque.
23. Tighten again after 10 hours of work. Check the torque every day until it is stabilised.

WARNING! If you do not feel totally confident changing wheel bearings or brake shoes contact your HARDI dealers workshop.

Maintenance

2. Transmission shaft

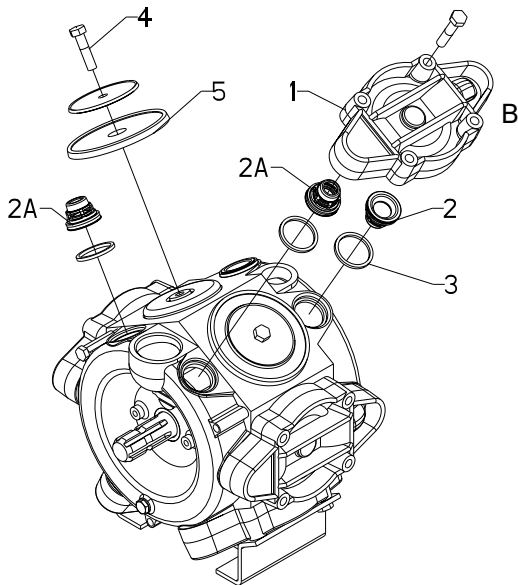
Change the protection tube nylon bearings as described under "Replacement of transmission shaft protection tubes" in the part *Occasional Maintenance*.

Maintenance

Occasional maintenance

The maintenance and renewal intervals for the following will depend very much on the conditions under which the sprayer will be operated and are therefore impossible to specify.

Pump valves and diaphragms renewal



T261-0001

Diaphragm pump overhaul kit (valves, seals, diaphragms etc.)

Pump model	HARDI part No.
363	750342
463	750343

Valves

Remove valve cover **1** before changing the valves **2** - note their orientation so they are replaced correctly!

NOTE: One special valve with white flap **2A** is used. It has to be placed in the valve opening shown.

It is recommended to use new gaskets **3** when changing or checking the valves.

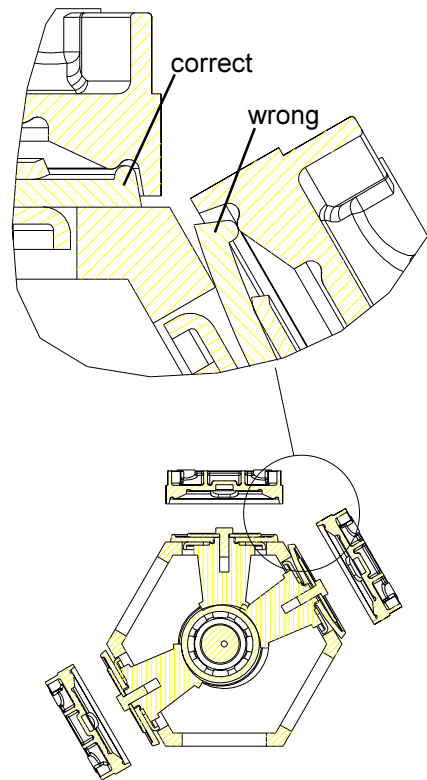
Diaphragms

Remove the diaphragm cover **4**. The diaphragm **5** may then be changed. If fluids have reached the crankcase, re-grease the pump thoroughly. Also check that the drain hole at the bottom of the pump is not blocked. Reassemble with the following torque setting.

Pump model	Diaphragm cover Nm	Diaphragm bolt Nm
463	90	90
463	90	90

1 Nm = 0.74 lbf

IMPORTANT! Before tightening the 4 bolts for the diaphragm cover **B** the diaphragm must be positioned between centre and top to ensure correct sealing between diaphragm pumphousing and diaphragm cover. Turn crank shaft if necessary.

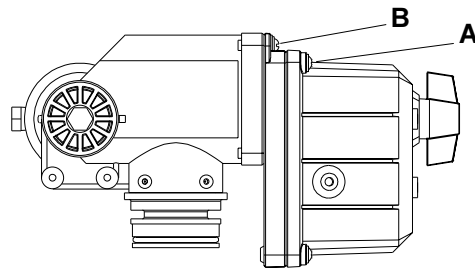


T192-0005x

Cone check/renewal EVC operating unit

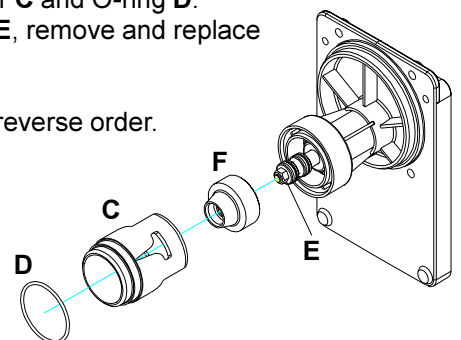
If it becomes difficult to build up sufficient pressure or if pressure fluctuations occur, it may be necessary to renew cone and cylinder. A HARDI kit is available for this purpose. Ref. no. 741293.

1. Remove 4 x screws **A** and remove the housing.
2. Remove 4 x screws **B**.



T192-0007x

3. Replace cylinder **C** and O-ring **D**.
4. Loosen the nut **E**, remove and replace the cone **F**.
5. Reassemble in reverse order.



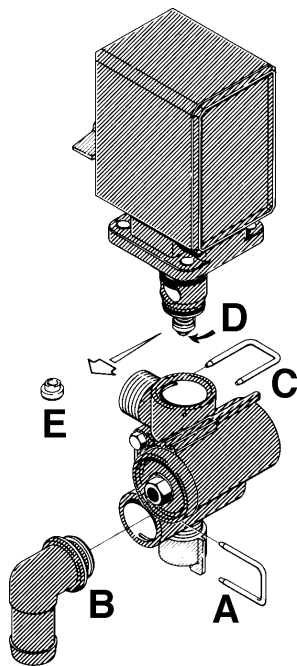
Maintenance

Cone check/renewal, EVC distribution valve

Periodically check the distribution valves for proper sealing. Do this by running the sprayer with clean water and open all distribution valves.

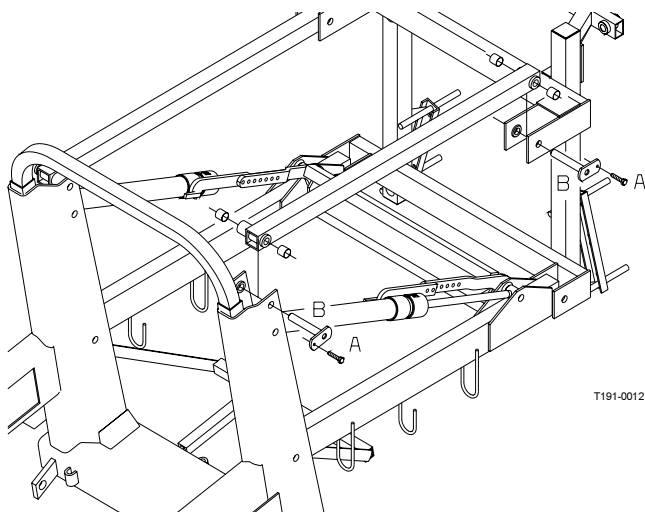
Cautiously remove the clip **A** and pull out the hose **B** for the pressure equalisation device. When the housing is drained, there should be no liquid flow through the pressure equalisation device. If there is any leakage, the valve cone **E** must be changed.

Remove the clip **C** and lift the motor housing off the valve housing. Then unscrew the screw **D** and replace the valve cone **E**. Reassemble in reverse order.



Wear bush renewal, boom lift

The wear bushes are inspected and renewed before they are worn through.



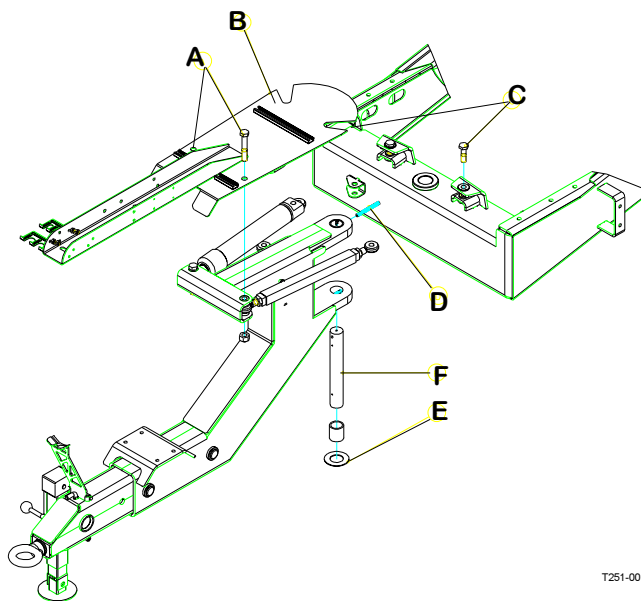
T191-0012

1. Connect the trailer to a tractor and unfold the booms to working position.
2. Lift the boom centre frame with a lifting device and support it until the load is taken off the parallelogram arms.
3. Remove the screws **A**, and pull out the pins **B** at one of the upper parallelogram arms and renew the wear bushes.
4. Refit the arm.
5. Repeat this on the other upper arm.

6. The lower arms must be disconnected simultaneously.
Grease all grease nipples.
7. Remove the lifting gear again.

Wear bush renewal, drawbar (all TRACKER models)

If too much play is found in the drawbar the wear bushes must be renewed.



T251-0017

1. Place stop wedges in front of and behind both wheels.
2. Jack up the frame and support it properly.
3. If *not* a SELF TRACK model: Remove the drawbar extension to reduce the weight of the drawbar.
4. Loosen the two bolts **A** and support the bracket **B** in order to keep it in a level position (e.g. by a rope fastened to the platform railing).
5. Without dismantling the hydraulic system the hydraulic rams are removed from the drawbar by loosening the nuts **C**.
6. Support the drawbar and remove the two pin bolts **D**, the washer **E** and the pin **F**.
7. Move the drawbar to the side and support it.
8. Press out the worn bushes and fit new ones.
9. Assemble again in reverse order.
10. Grease through grease nipples and remove jack and wedges.
11. Fit the extension piece in the drawbar again and place the sprayer on the support leg

Maintenance

Venting the hydraulic damping system (SELF TRACK only)

The following venting procedure requires a special venting kit, HARDI ref. no. 720725.

1. Place the trailer on the support leg so that the yoke goes free from the tractor and the rams can work freely.
2. Relieve the pressure in the expansion tank and remove the hydraulic hose.

NOTE! Plug the hose. If this is neglected, the pressure gauge may be damaged.

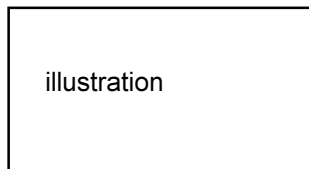
3. Fit the two test hoses in the pressure gauge outlets on the rams (at the rear of the track system).
4. Move the track system from one side to the other approx. 10 times (full swing).
5. Loosen the plug very carefully in order to leak the air out of the system.
6. Fit the hydraulic hose on the expansion tank.
7. Remove the level plug and using the tractor hydraulics, cautiously fill oil in the expansion tank until it reaches the level plug.
8. Fit the level plug and fill the expansion tank to an air pressure of 5 bar.
9. Fit the 0-400 bar pressure gauge on the pressure gauge outlet at the ram. Adjust the excess-pressure valve to approx. 40 bar.

On flat ground it is possible to work with a lower opening pressure. This gives a more sensible reaction but it also results in the fact that the trailer can swing when driving on hilly ground and when swinging at high speed.

TRACKER damping pressure setting (SELF TRACK only)

The hydraulic pressure relief valves in the TRACKER's damping system is factory set to open at approx. 40 bar (580 p.s.i.) which is adequate for most conditions.

If the damping seems too "soft" or too "hard", the settings can be adjusted on the screws shown.



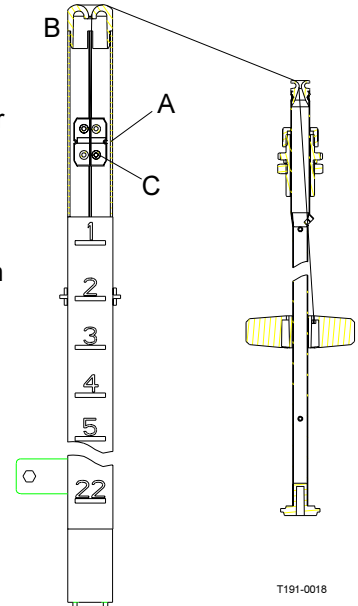
Shock absorbers

If the shock absorbers loose their efficiency or start leaking oil, they should be replaced.

Level indicator adjustment

The level indicator reading should be checked regularly.

When the tank is empty, the float should lie on the stop pin, of the rod, and the O-ring on the indicator should be positioned at the top position line **A**.



If any deviation is found, pull out the plug **B**, loosen screws **C**, and adjust the length of the cord.

Cord renewal, level indicator

If the cord on the level indicator has to be changed, the float guide pole is removed:

1. Remove the tank drain valve (see paragraph "Main tank drain valve") and loosen the fitting holding the pole in position.
2. Pull the pole down through the drain valve hole till it is free in the top of the tank.
3. The pole can now be taken out of the tank through the filling hole.



DANGER! Do not attempt to enter the tank - the float pole can be removed from outside the tank!

Seal renewal, drain valve

If the main tank drain valve leaks, the seal and seat can be changed the following way.



DANGER! Do not enter the inside of the tank - the parts can be changed from underneath the tank!

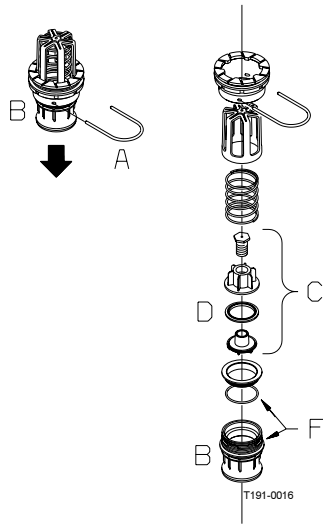


WARNING! Use eye / face protection mask when dismantling the tank drain valve!

1. Make sure the tank is empty and clean.
2. The valve must be closed and the string loose.

Maintenance

3. Pull out the clip **A** and pull down connecting piece **B**. The entire valve assembly can now be pulled out.
4. Check cord and valve flap assembly **C** for wear, replace seal **D** and assemble again.
5. Assemble the valve assembly again using a new valve seat **E**. Lubricate O-rings **F** before assembly.
6. Fit clip **A** again.



NOTE! Check function of valve with clean water before filling chemicals into the tank.

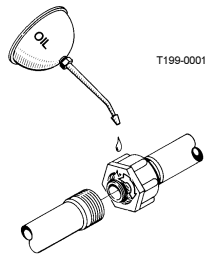
Nozzle tubes and fittings

Poor seals are usually caused by:

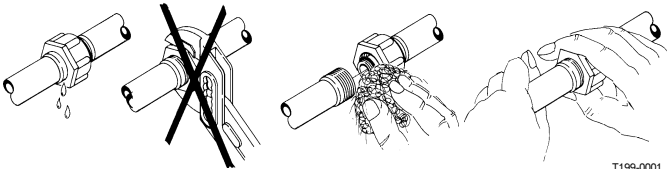
- missing O-rings or gaskets
- damaged or incorrectly seated O-rings
- dry or deformed O-rings or gaskets
- foreign bodies

In case of leaks:

DO NOT overtighten. Disassemble, check condition and position of O-ring or gasket. Clean, lubricate and reassemble.

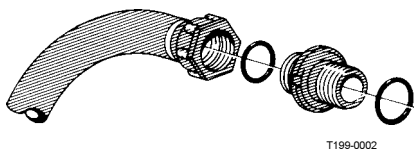


The O-ring must be lubricated **ALL THE WAY ROUND** before fitting on to the nozzle tube. Use non-mineral lubricant.



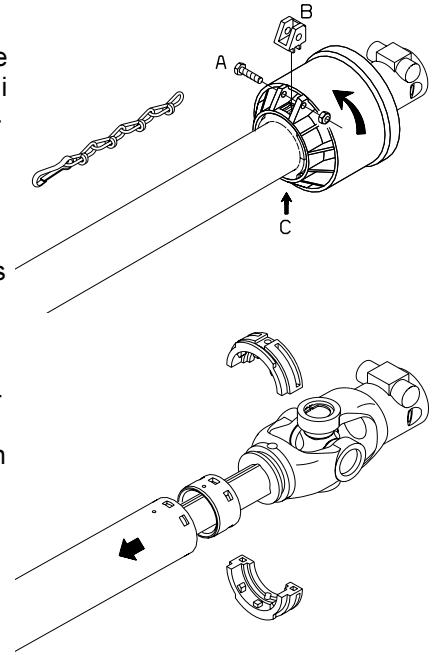
For **RADIAL** connections only hand-tighten them.

For **AXIAL** connections, a little mechanical leverage may be used.



Replacement of transmission shaft protection guards

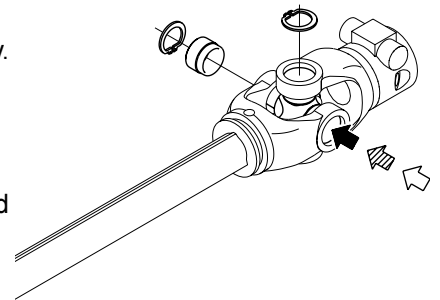
1. Remove bolt **A**, lock **B** and grease nipple **C**. Twist uni CV-joint cover 1/4 turn and pull it backwards.
2. Remove the synthetic bearings and protection tube.
- 2a. Remove inner bush from protection tube.
3. Assemble again in reverse order, using new parts where necessary. Remember to fit chains again.
4. Grease bearings.



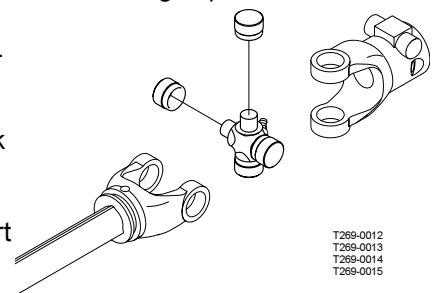
NOTE! Only use genuine HARDI spare parts to service the transmission shaft.

Replacement of transmission shaft cross journals.

1. Remove protection guard as described previously.
2. Remove Seeger circlip rings
3. Press the cross journal sideways - use hammer and mandrel if necessary.
4. Remove needle bearing cups and cross journal can now be removed.



5. Carefully remove needle bearing cups from new cross journal and install it in reverse order. Before fitting the needle bearing cups again, check that needles is placed correctly. Avoid dust and dirt in the new bearings.

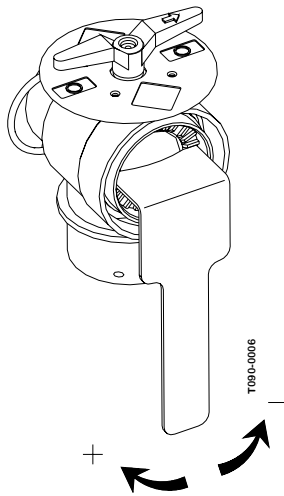


Maintenance

Adjustment of 3-way-valve

The MANIFOLD valve can be adjusted if it is too tight to operate - or if it is too loose (= liquid leakage).

Use a suitable tool and adjust the toothed ring inside the valve as shown on the drawing.



Change of bulbs

Overview of bulbs used.

Rear combi lamp, HELLA		
Function	Bulb type (DIN)	Volt / Watt
Rear lamp	R5W	12V / 5W
Stop lamp	P21W	12V / 21W
Direction indicator	P21W	12V / 21W
Rear combi lamp, GEKA (with warning boards)		
Function	Bulb type (DIN)	Volt / Watt
Rear lamp	R5W	12V / 5W
Stop lamp	P21W	12V / 21W
Direction indicator	P21W	12V / 21W
Position lamp, front	(GEKA)	12V / 5W
Boom and work lamps		
Function	Bulb type (DIN)	Volt / Watt
Boom lamp	H3	12V / 55W
Working lamp	124 98	12V / 21W
Number plate lamp, HELLA		
Function	Bulb type (DIN)	Volt / Watt
Number plate lamp	R10W	12V / 10W
Side marking combi lamp		
Prise out the lens carefully from the rubber housing to remove the bulb.		
Function	Bulb type (DIN)	Volt / Watt
Side marking combi lamp white, red yellow	R5W	12V / 5W

To change a bulb

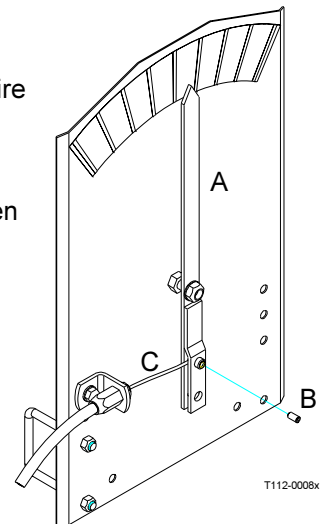
1. Switch off the light
2. Loosen the screws on the lamp and remove the cover or lens.
3. Remove the bulb
4. Fit a new bulb, refit the cover and tighten the screws.

NOTE! If halogen bulbs are used, never touch the bulb with the fingers. Natural moisture in the skin will cause the bulb to burn out when the light is switched on. Always use a clean cloth or tissue when handling halogen bulbs.

Adjustment of slanting indicator

If the position of the pointer on the indicator does not correspond to the actual boom position, the pointer **A** can be adjusted.

1. Loosen the small bolt **B** sufficiently to allow the wire **C** to be adjusted.
2. Place the pointer **A** in correct position and fasten bolt **B** against the wire **C** again.



Maintenance

Change of tyre

Should it be necessary to replace tyres, it is recommended to leave this to a specialist and follow the mentioned rules.

1. Always clean and inspect the rim before mounting.
2. Always check that the rim diameter corresponds exactly to the rim diameter moulded on the tyre.
3. Always inspect inside of the tyre for cuts, penetrating objects or other damages. Repairable damages should be repaired before installing the tube. Tyres with unrepairable damages must never be used.
4. Also inspect inside of the tyre for dirt or foreign bodies and remove it before installing the tube.
5. Always use tubes of recommended size and in good condition. When fitting new tyres always fit new tubes.
6. Before mounting, always lubricate both tyre beads and rim flange with approved lubricating agent or equivalent anti-corrosion lubricant. Never use petroleum based greases and oils because they may damage the tyre. Using the appropriate lubricant the tyre will never slip on the rim.
7. Always use specialised tools as recommended by the tyre supplier for mounting the tyres.
8. Make sure that the tyre is centred and the beads are perfectly seated on the rim. Otherwise danger of bead wire tear can occur.
9. Inflate the tyre to 100-130 kPa (14.5-19 p.s.i.) then check whether both beads are seated perfectly on the rim. If any of the beads do not seat correctly, deflate the assembly and re-centre the beads before starting inflation of the tyre. If the beads are seated correctly on the rim at 100-130 kPa inflate the tyre to a maximum of 250 kPa (36 p.s.i.) until they seat perfectly on the rim.
10. Never exceed the maximum mounting pressure moulded on the tyre!
11. After mounting tyres adjust inflation pressure to operation pressure recommended by the tyre manufacturer.
12. Do not use tubes in tubeless tyres.



WARNING! Non observance of mounting instructions will result in the bad seating of the tyre on the rim and could cause the tyre to burst leading to serious injury or death!

Never mount or use damaged tyres or rims!

Use of damaged, ruptured, distorted, welded or brazed rim is not allowed!

Maintenance

Off-season storage

When the spraying season is over, you should devote some extra time to the sprayer.

If chemical residue is left over in the sprayer for longer periods, it can reduce the life of the individual components.

Off-season storage program

To preserve the sprayer intact and to protect the components, carry out following off-season storage program.

1. Clean the sprayer completely - inside and outside - as described under "Cleaning of the sprayer". Make sure that all valves, hoses and auxiliary equipment have been cleaned with detergent and flushed with clean water afterwards, so no chemical residue is left in the sprayer.
2. Renew possible damaged seals and repair possible leaks.
3. Empty the sprayer completely and let the pump work for a few minutes. Operate all valves and handles to drain as much water off the spraying circuit as possible. Let the pump run until air is coming out of all nozzles. Remember to drain the rinsing tank also.
4. Pour appr. 50 litre (11 Imp.gal) anti-freeze mixture consisting of 1/3 automotive anti-freeze and 2/3 water into the tank.
5. Engage the pump and operate all valves and functions on the MANIFOLD, operating unit, FILLER etc. allowing the anti-freeze mixture to be distributed around the entire circuit. Open the operating unit main on/off valve and distribution valves so the anti-freeze is sprayed through the nozzles as well. The anti-freeze will also prevent O-rings, seals, diaphragms etc. from drying out.
6. Lubricate all lubricating points according to the lubricating scheme - regardless of intervals stated.
7. When the sprayer is dry, remove rust from possible scratches or damages in the paint and touch up the paint.
8. Remove the glycerine-filled pressure gauges and store them frost free in vertical position.
9. Apply a thin layer of anti-corrosion oil (e.g. SHELL ENSIS FLUID, CASTROL RUSTILLO or similar) on all metal parts. Avoid oil on rubber parts, hoses and tyres.
10. Fold the boom in transport position and relieve pressure from all hydraulic functions.

11. All electric plugs and sockets are to be stored in a dry plastic bag to protect them against damp, dirt and corrosion.

12. Remove the control boxes and the HARDI PILOT control box + display from the tractor, and store them dry and clean (in-house).

13. Wipe hydraulic snap-couplers clean and fit the dust caps.

14. Apply grease on all hydraulic ram piston rods which are not fully retracted in the barrel to protect against corrosion.

15. Chock up the wheels, to prevent moisture damage and deformation of the tyres. Tyre blacking can be applied to the tyre walls to preserve the rubber.

16. Drain air brake tank for condensed water.

17. To protect against dust the sprayer can be covered by a tarpaulin. Ensure ventilation to prevent condensation.

Preparing the sprayer for use after storage

After a storage period the sprayer should be prepared for the next season the following way:

1. Remove the cover
2. Remove the support from the wheel axle and adjust the tyre pressure.
3. Wipe off the grease from hydraulic ram piston rods.
4. Fit the pressure gauges again. Seal with Teflon tape.
5. Connect the sprayer to the tractor including hydraulics and electric's.
6. Check all hydraulic and electric functions.
7. Empty the tank for remaining anti-freeze.
8. Rinse the entire liquid circuit on the sprayer with clean water.
9. Fill with clean water and check all functions.
10. Check function of brakes. Please note that brake power will be reduced until the rust are worn off the drums. Always brake lightly until the drums are clean.

Fault-finding

Operational problems

In cases where breakdowns have occurred, the same factors always seem to be in question:

1. Minor leaks on the suction side of the pump will reduce the pump capacity or stop the suction completely.
2. A clogged suction filter will hinder or prevent suction so that the pump does not operate satisfactorily.
3. Clogged up pressure filters will result in increasing pressure at the pressure gauge but lower pressure at the nozzles.
4. Foreign bodies stuck in the pump valves with the result that these cannot close tightly against the valve seat. This reduces pump efficiency.
5. Poorly reassembled pumps, especially diaphragm covers, will allow the pump to suck air resulting in reduced or no capacity.
6. Hydraulic components that are contaminated with dirt result in rapid wear to the hydraulic system.

Therefore ALWAYS check:

1. Suction, pressure and nozzle filters are clean.
2. Hoses for leaks and cracks, paying particular attention to suction hoses.
3. Gaskets and O-rings are present - and in good condition.
4. Pressure gauge is in good working order. Correct dosage depends on it.
5. Operating unit works properly. Use clean water to check.
6. Hydraulic components are maintained clean.

TRACKER damping system

FAULT	PROBABLE CAUSE	CONTROL/REMEDY
Sprayer trails unstable	Air pockets in the hydraulic circuit	Prime hydraulic circuit
	Hydraulic circuit leaking	Repair leak, prime
	Pressure relief valve(s) set too low	Adjust pressure relief valves
Rear hydraulic rams are too tight and vehicle continues straight ahead when trying to turn	Insufficient counter weight on front of tractor	Ad ballast on front of tractor
	Pressure relief valve set too high	Adjust pressure relief valves

Fault-finding

Liquid system

FAULT	PROBABLE CAUSE	CONTROL/REMEDY
No spray from boom when turned on.	Air leak on suction line.	Check if suction filter O-ring is sealing. Check suction tube and fittings. Check tightness of pump diaphragm and valve covers.
	Air in system.	Fill suction hose with water for initial prime.
	Suction/pressure filters clogged.	Clean filters. Check yellow suction pipe is not obstructed or placed too near the tank bottom.
Lack of pressure.	Incorrect assembly.	Restrictor nozzle in Self-Cleaning Filter not fitted. Safety valve spring for Self-Cleaning Filter not tight. Too little distance between yellow suction pipe and tank bottom.
		Pump valves blocked or worn.
	Defect pressure gauge.	Check for dirt at inlet of gauge.
Pressure dropping.	Filters clogging.	Clean all filters. Fill with cleaner water. If using powders, make sure agitation is on.
	Nozzles worn.	Check flow rate and replace nozzles if it exceeds 10%.
	Tank is air tight.	Check vent is clear.
	Sucking air towards end of tank load.	Lower pump r.p.m.
Pressure increasing	Pressure filters beginning to clog.	Clean all filters.
Formation of foam.	Air is being sucked into system.	Check tightness / gaskets / O-rings of all fittings on suction side.
	Excessive liquid agitation.	Reduce pump r/min. Check safety valve for Self-Cleaning Filter is tight. Ensure returns inside tank are present. Use foam damping additive.
Liquid leaks from bottom of pump.	Damaged diaphragm.	Replace. See Changing of valves and diaphragms.

Fault-finding

D.A.H. Hydraulic system

FAULT	PROBABLE CAUSE	CONTROL/REMEDY
No boom movements when activated	insufficient oil pressure	Check oil pressure - min. 130 bar, max. 160 bar. Check tractor hydraulic oil level
	Insufficient oil supply.	Oil flow must be min. 10 l/min. and max. 90 l/min. Check tractor hydraulic oil level.
	Blown fuse.	Check / replace fuse in junction box.
	Bad / corroded electrical connections	Check / clean connections, multi plugs etc.
	Insufficient power supply.	Voltage on activated solenoid valve must be more than 8 Volts. Use wires of at least 4 mm ² for power supply.
	Defect relay / diodes in junction box.	Check relays, diodes and soldering at PCB in junction box
	Clogged restrictors a or b in by-pass block.	Remove and clean restrictors a and b in by-pass block (See hydraulic diagram) Change hydraulic oil + filter
	Wrong polarity.	Check polarity. White pos. (+) Blue neg. (-).
Boom lift raises to max. pos. when tractor hydraulics are engaged	Wrong oil inlet to by-pass block.	Connect hydraulic snap couplers opposite in tractor outlets, or engage spool valve lever in opposite direction
	Back pressure in return line exceeds 20 bar	Connect the return line with free flow to hydraulic oil reservoir. Divide return line in two and lead return oil back to reservoir via two spool valves.
Oil heats up in Closed Centre systems	By-pass valve 0 does not close properly	Check / close (screw in) by-pass valve 0 .
	Internal leaks in flow regulator	Replace flow regulator O-rings and back-up rings. Replace flow regulator.
Individual ram does not move	Clogged restrictor	Dismantle and clean restrictor

Fault-finding

(I.A.H.) Hydraulic system

FAULT	PROBABLE CAUSE	CONTROL/REMEDY
Boom slow/eradic.	Air in system	Loosen ram connection and activate hydraulics until oil flow has no air in it (not whitish).
	Regulation valve incorrectly set	Open or close until desired speed is achieved (clockwise = less speed). Remember oil must be at operating temperature.
	Insufficient hydraulic pressure	Check output pressure of tractor hydraulics. Minimum for sprayer is 130 bar.
	Insufficient amount of oil in tractor reservoir	Check and top up if needed.
Ram not functioning.	Restrictor or regulation valve blocked	Secure boom with "S" hook. Dismantle and clean.

EVC Operating unit

FAULT	PROBABLE CAUSE	CONTROL/REMEDY
Operating unit not functioning	Blown fuse(s).	Check mechanical function of microswitches. Use cleaning/lubricating agent if the switch does not operate freely. Check motor. 450-500 milli-Amperes max. Change motor, if over.
	Wrong polarity.	Brown - pos. (+). Blue - neg. (-).
	Valves not closing properly.	Check valve seals for obstructions. Check microswitch plate position. Loosen screws holding plate a $1/2$ turn.
	No power.	Wrong polarity. Check that brown is pos. (+), Blue is neg. (-). Check print plate for dry solders or loose connections. Check fuse holder are tight around fuse.

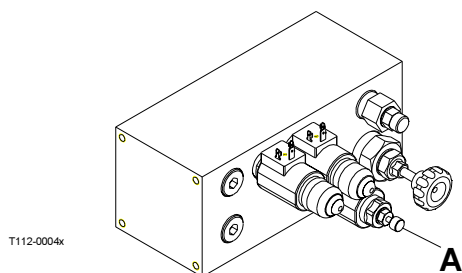
Fault-finding

Emergency operation of the sprayer

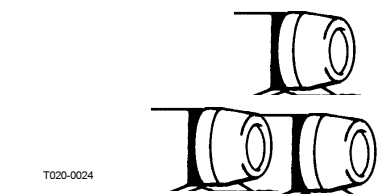
The boom

In case of power failure, the boom can be operated manually:

1. Put the tractor spool valve control lever in neutral position.
2. Close the cartridge valve **A** on the hydraulic distribution block.



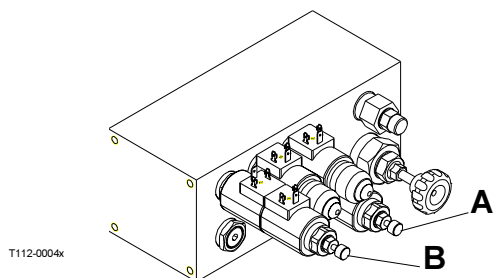
3. Activate the tractor spool valve control lever.
4. The boom can now be operated by pressing the individual buttons on the solenoid valves.



Remember to reset the system to original setting.

Steering drawbar (if fitted)

1. Put the tractor spool valve control lever in neutral position.
2. Close the cartridge valves **A** and **B** on the hydraulic distribution block.
3. By means of the tractor spool valve control lever, the drawbar can now be centred.



Remember to reset the system to original setting.

Cause

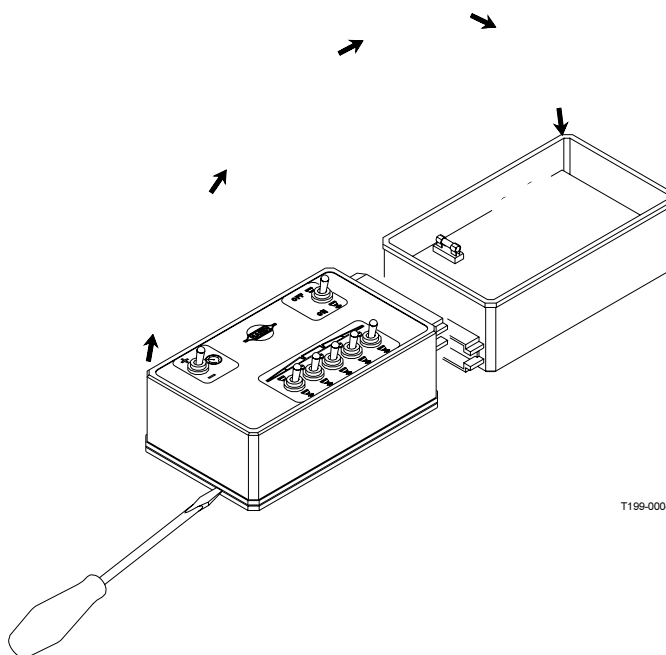
The problem may be due to a blown fuse. One spare fuse is located inside the junction box.

EC operating unit

In case of power failure it is possible to operate all functions of the operating unit manually. First disconnect the multi plug from the control box. Now manually turn the emergency control knobs.

The problem may be due to a blown fuse. An extra fuse is placed inside the box.

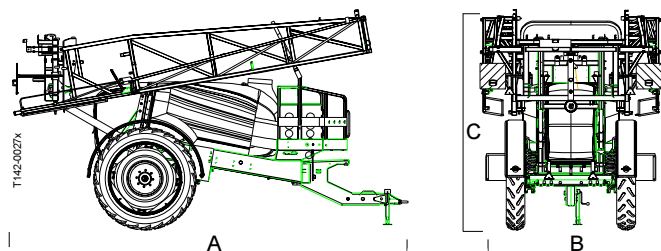
Fuse type: 6.3 A



Technical specifications

Technical specifications

Overall dimensions



CM plus 2200/2800 OLH/OLV/OLS			
Boom width (m)	A (mm)	B (mm)	C (mm)
18	7100	2980	3960
20	7100	2980	3960
21	7100	2980	3960
24	7100	2980	3960
27	7100	2980	3960
28	7100	2980	3960

CM plus 3200/4200 OLH/OLV/OLS			
Boom width (m)	A (mm)	B (mm)	C (mm)
18	7100	2980	3960
20	7100	2980	3960
21	7100	2980	3960
24	7100	2980	3960
27	7100	2980	3960
28	7100	2980	3960

All measurements are in mm and are based on machines equipped with wheel size 12.4 x R46.

The length (A) is based on the short version of the drawbar extension. Additional length for long version:

CM 2200/2800: + 350 mm

CM 3200/4200: + 450 mm

Weight

CM plus 2200 OLH/OLV/OLS						
Boom width (m)	Empty			Full		
	Axle load (kg)	Drawbar load (kg)	Own weight (kg)	Axle load (kg)	Drawbar load (kg)	Total weight (kg)
18	2920	536	3456	4988	1090	6078
20	2923	533	3456	4990	1088	6078
21	2937	539	3476	5005	1093	6098
24	2956	540	3496	5023	1095	6118
27	2880	676	3556	4948	1230	6178
28	2888	708	3596	4958	1263	6221

CM plus 2800 OLH/OLV/OLS						
Boom width (m)	Empty			Full		
	Axle load (kg)	Drawbar load (kg)	Own weight (kg)	Axle load (kg)	Drawbar load (kg)	Total weight (kg)
18	2940	541	3481	5365	1183	6548
20	2942	539	3481	5367	1181	6548
21	2957	544	3501	5382	1186	6568
24	2975	546	3521	5400	1234	6634
27	2900	681	3581	5325	1323	6648
28	2907	714	3621	5332	1356	6688

All weights are approximate values and are based on machines equipped with rinsing tank, clean water tank, HARDI FILLER and suspended axle.

Technical specifications

Weight

CM plus 3200 OLH/OLV/OLS						
	Empty			Full		
Boom width (m)	Axle load (kg)	Drawbar load (kg)	Own weight (kg)	Axle load (kg)	Drawbar load (kg)	Total weight (kg)
18	3152	515	3667	6460	1257	7717
20	3153	514	3667	6462	1255	7717
21	3170	517	3687	6479	1258	7737
24	3189	518	3707	6498	1259	7757
27	3138	629	3767	6447	1370	7817
28	3152	655	3807	6461	1396	7857

CM plus 4200 OLH/OLV/OLS						
	Empty			Full		
Boom width (m)	Axle load (kg)	Drawbar load (kg)	Own weight (kg)	Axle load (kg)	Drawbar load (kg)	Total weight (kg)
18	3184	523	3707	7305	1452	8757
20	3186	521	3707	7307	1450	8757
21	3202	525	3727	7323	1454	8777
24	3221	526	3747	7342	1455	8797
27	3171	636	3807	7292	1565	8857
28	3184	663	3847	7306	1591	8897

All weights are approximate values and are based on machines equipped with rinsing tank, clean water tank, HARDI FILLER and suspended axle.

For SELF TRACK models the values in above tables must be increased:

+ 100 kg on Drawbar and Total weights

For COMMANDER models *without* suspended axle, subtract:

COMMANDER 2200/2800 - 220 kg (own weight)

COMMANDER 3200/4200 - 250 kg (own weight)

Ground clearance (under axle):

COMMANDER 2200/2800 without suspension: appr. 700 mm with suspension: appr. 600 mm
 COMMANDER 3200/4200: without suspension: appr. 700 mm with suspension: appr. 750 mm

Technical specifications

Pump capacity

Pump 363/10.0 (540 r.p.m.)

Rotation per min.	200	300	400	500	540	600
bar	Capacity l/min					
0	73	107	141	178	194	211
2	72	105	140	175	189	207
4	71	103	139	172	186	205
6	70	102	138	169	184	203
10	68	100	135	166	182	200
15	66	98	132	164	178	197
Max. pressure: 15 bar		Weight: 52.5 kg		Suction height: 0.0 m		

Pump 363/5.5 (1000 r.p.m.)

Rotation per min.	200	300	400	500	600	700	800	900	1000
bar	Capacity l/min								
0	-	61	82	103	123	144	164	186	201
2	-	59	79	100	119	140	160	179	191
4	-	58	78	98	117	138	155	176	188
6	-	57	76	96	115	134	153	173	186
10	-	55	74	94	112	130	148	168	180
15	-	53	72	89	108	126	144	163	174
Max. pressure: 15 bar		Weight: 52.6 kg			Suction height: 0.0 m				

Pump 463/10.0 (540 r.p.m.)

Rotation per min.	200	300	400	500	540	600
bar	Capacity l/min					
0	109	156	207	257	276	305
2	103	152	202	252	270	299
4	101	149	198	246	265	295
6	99	146	195	242	263	289
10	94	142	192	236	256	282
15	91	136	184	230	248	276
Max. pressure: 15 bar		Weight: 66.5 kg		Suction height: 0.0 m		

Pump 463/5.5 (1000 r.p.m.)

Rotation per min.	200	300	400	500	600	700	800	900	1000
bar	Capacity l/min								
0	61	89	119	148	178	206	233	273	305
2	56	84	113	140	168	197	222	252	278
4	54	82	108	137	162	190	216	244	273
6	52	78	105	131	158	185	211	239	269
10	49	74	100	126	151	178	202	229	257
15	46	70	95	120	145	171	195	219	246
Max. pressure: 15 bar		Weight: 66.5 kg			Suction height: 0.0 m				

Technical specifications

Filters and nozzles

Filter gauze width

30 mesh: 0.58 mm 50 mesh: 0.30 mm
80 mesh: 0.18 mm 100 mesh: 0.15 mm

Temperature and pressure ranges

Operating temperature range:
2° to 40° C. (36°F to 104°F)

Operating pressure for safety valve:
15 bar (220 psi)

Max. pressure on the pressure manifold:
20 bar (290 psi)

Max. pressure on the suction manifold:
7 bar (100 psi)

Brakes

Max. wear rates on brake components, mm (in):

	2200/2800	3200/4200
Max. drum diameter A	302 (11.8897)	402 (15.8388)
Min. lining thickness B	2.0 (0.07874)	4.0 (0.15748)

Hydraulic brakes

Max. hydraulic pressure: 150 bar (2176 p.s.i.)

Air brakes, single line:

Air pressure, relieved brakes: 5.3 - 5.6 bar
Air pressure drop to activate: 0.8 - 1.3 bar

Air brakes, dual line

Load apportioning valve pressure settings:

Relieved: 0 bar
Empty: 1.6 bar (23.2 p.s.i.)
Half: 3.4 bar (49.3 p.s.i.)
Full: Air tank pressure

Materials and recycling

Tank: HDPE
Hoses: PVC
Valves: mainly glass-filled PA.
Fittings: PA

Disposal of the sprayer

When the equipment has completed its working life, it must be thoroughly cleaned. The tank, hose and synthetic fittings can be incinerated at an authorised disposal plant. The metallic parts can be scrapped. Always follow local legislation regarding disposal.

Conversion factors, SI to Imperial units

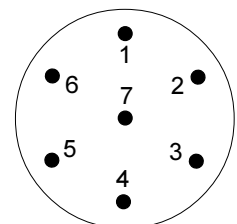
All units used in this manual are SI units. In some occasions Imperial units are used. Use following factors to convert SI units to Imperial units:

	SI unit	Imperial unit	Factor
Weight	kg	lb.	x 2.205
Surface area	ha	acres	x 2.471
Length	cm	in	x 0.394
	m	ft	x 3.281
	m	yd	x 1.094
Velocity	km	mile	x 0.621
	km/h	mile/h	x 0.621
	km/h	m/s	x 0.277
Quantities/area	l/ha	gal (Imp.) /acre	x 0.089
Volume	ml	fl. oz (Imp.)	x 0.0352
	l	Imp. pt.	x 0.568
	l	gal (Imp.)	x 0.22
Pressure	bar	lb./in ² (p.s.i.)	x 14.504
Temperature	°C	°F	(°C x 1.8) + 32
Power	kW	hp	x 1.341
Torque	Nm	lbft	x 0.74

Electrical connections

Rear lights

Position	Wire colour
1. LH direction indicator	Yellow
2. Free	Blue
3. Frame	White
4. RH direction indicator	Green
5. RH rear position lamp	Brown
6. Stop lamps	Red
7. LH rear position lamp	Black



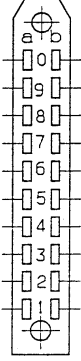
The wiring is in accordance with ISO 1724.

Technical specifications

Electrical connections for EVC operating unit

20 poled plug with cable

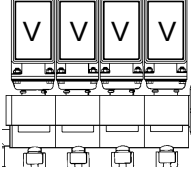
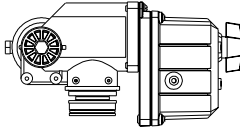
Number of distribution valve										
8	7	6 & 5	4	3 & 2		2 & 3	4	5 & 6	7	8
Wire number or colour code										
8										G/Y
9	9	13	9	9		10	10	14	10	10
	8	G/Y	G/Y	G/Y		11	11	15	G/Y	
7	7								17	17
6	6	1	1				2	2	16	16
5	5	3	3	1		2	4	4	15	15
4	4	5		3		4		6	14	14
3	3	7	5	5		6	6	8	13	13
2	2	9	7				8	10	12	12
1	1	11						12	11	11



T279-0010

G/Y = green/yellow

EVC

armatur EC 2B(L) T192-0037.dxf

Number of distribution valves				
	2/3/4	5/6	7	8
Valve	Wire number or color code			
V1	1-2	1-2	1-11	1-11
V2	3-4	3-4	2-12	2-12
V3	5-6	5-6	3-13	3-13
V4	7-8	7-8	4-14	4-14
V5		9-10	5-15	5-15
V6		11-12	6-16	6-16
V7			7-17	7-17
REG	9-10	13-14	9-10	9-10
V8	?	?	?	8-G/Y

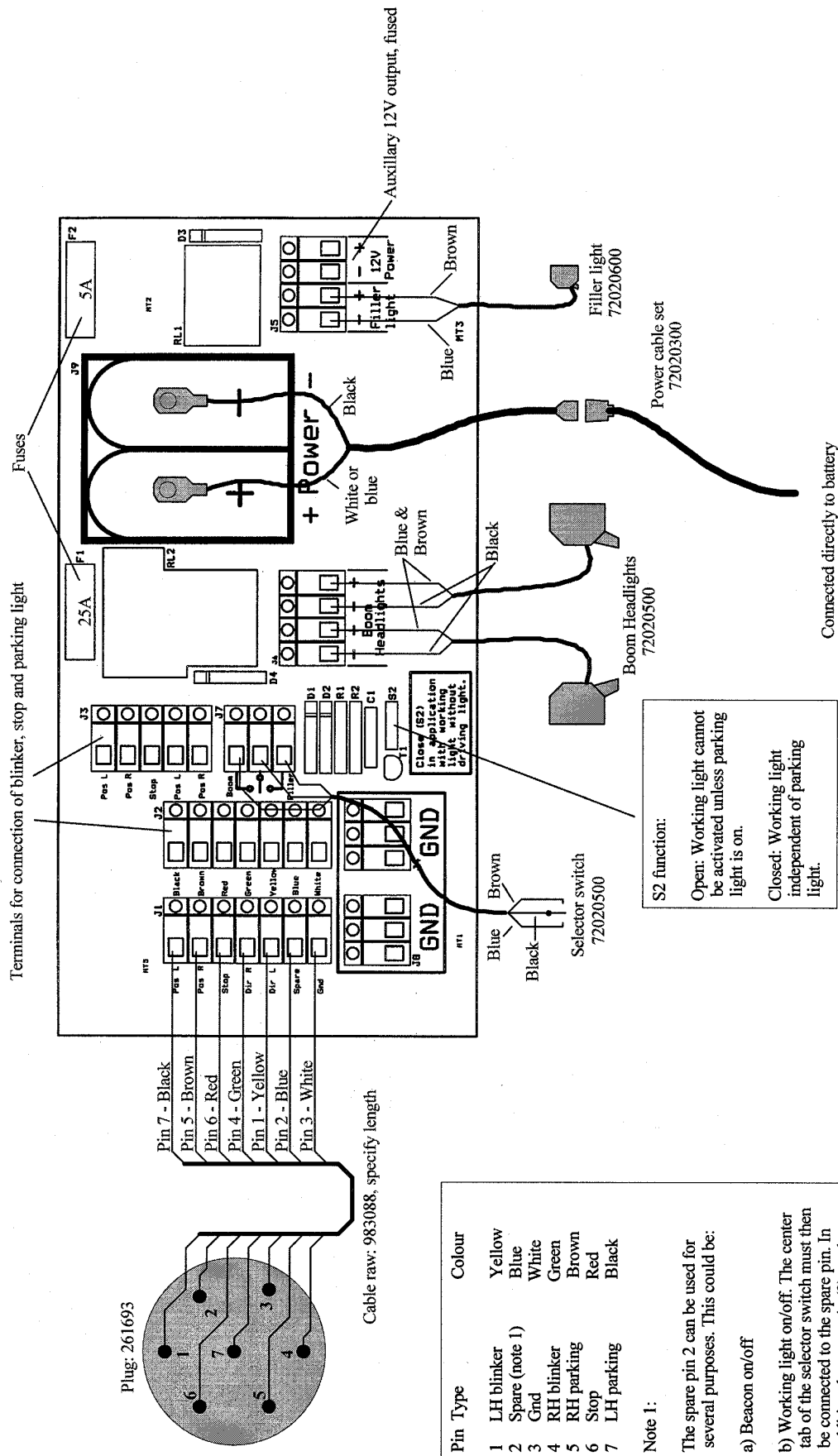
G/Y = Green/Yellow

Electrical chart (EVC)

The EVC operating unit fulfils the EC noise reduction standards.

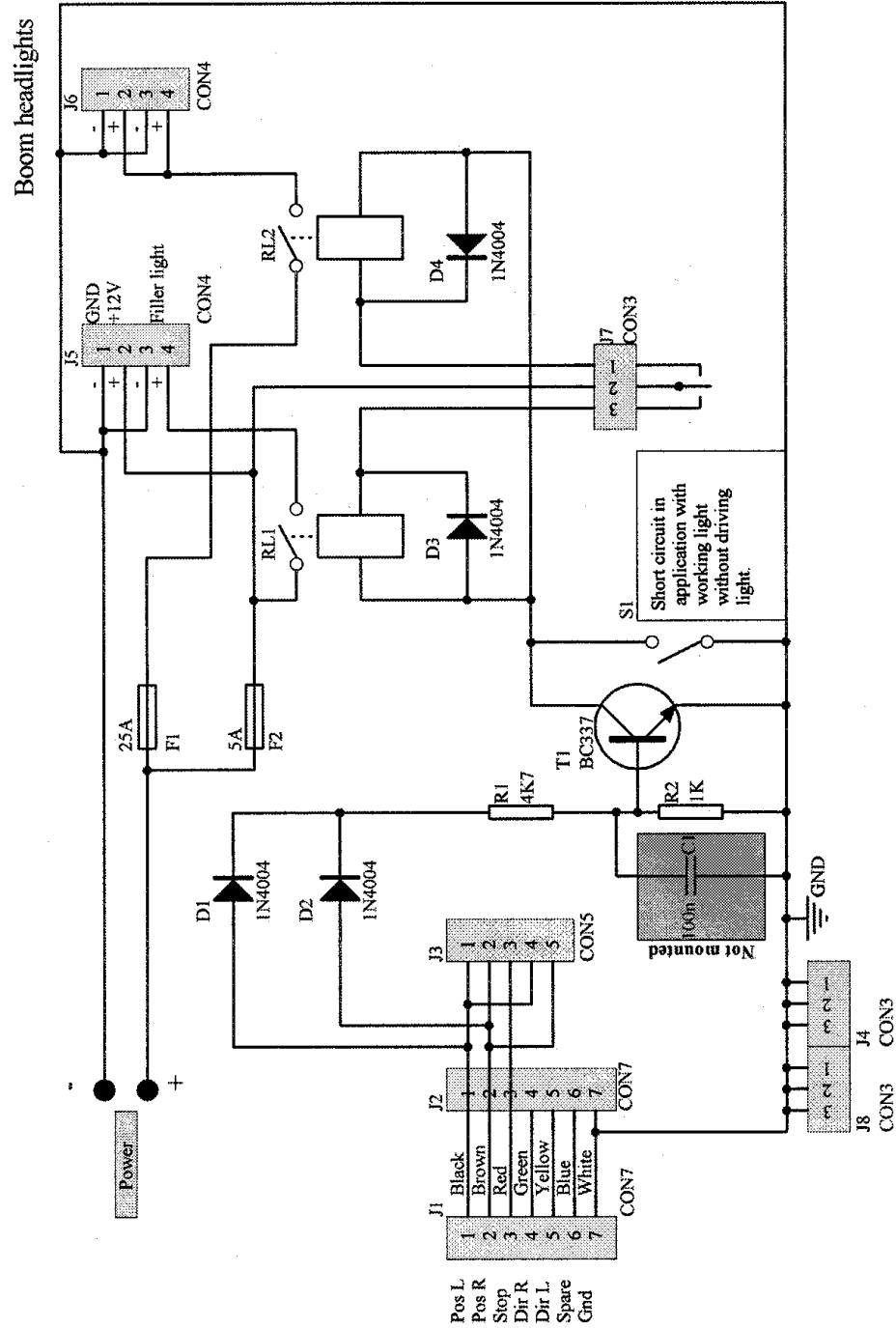
Technical specifications

Installation instruction for boom and work light



Technical specifications

Electrical specifications for Boom and Work light



T058-0016

Technical specifications

Boom hydraulic charts

Subject Index

A

Air activated brakes 19
Air brake filters 57
Air brakes 54
Air in system 69
Altering track gauge 16
Anti-freeze 67
Application zone 6
AXIAL connection 64

B

Ball valve 39
Ballast 68
Black disc 35
Blown fuse 70, 72
Boom light 27
Boom slow/eradic 71
Brakes 19, 53
Brakes Air tank 53
Breakaway 58

C

CaCl₂ 21
Centre rim 16
Chemicals 40, 44
Circuit leak 68
Clean water tank 38
Clean zone 6
Cleaning 45
Clogged restrictor 70
Cone 61
Connection box 27
Conversion factors 76
Counter weight 21
Crop protection Kit 28
Cross journals 64

D

D.A.H. system 17, 70
Damping pressure setting 63
Diaphragm 61
Disconnecting 30
Disposal of pesticides 45
Distribution block 17
Double outlet 17
Drawbar 9
Drawbar extension 9
Driving Technique 24
Dual-line brakes 20

E

EC Declaration 4
EC distribution valve 62
EC Operating unit 36, 38, 71, 77
Emergency brake 19
Emergency operation of the sprayer 72
Expansion bottle 54, 57

F

Fast Filling Device 36
Filling 35
Filling of chemicals. 40
Filling of water 35
Filter gauze 53
Filters 7, 39
Fittings 64
Fixed drawbar 10
Formation of foam 69
Frame 7
Front Locker 26
Fuse 72
Fuse type 72

G

Green disc 35

H

HARDI FILLER 40
HARDI-MATIC 7
High Capacity Fluid System 7
Hitch (ISO 5692) 8
Hub flange 16
Hydraulic activated brakes 19
Hydraulic brakes 57
Hydraulic circuit 57
Hydraulic system 17, 71

I

I.A.H. system 32
Identification plates 7
Imperial units 76
In-Line filter 53

J

joystick 32
junction box 72

L

Lack of pressure. 69
Ladder 26

Large storage Locker 26
Level indicator 64
Lifting points 8
Liquid chemicals 40
Liquid leaks 69
Liquid system 69
Liquid-filled tyres 21
Load Sensing 17

M

Maintenance 45
MANIFOLD SYSTEM 33
Max. pressure 76
Maximum track width 14
Minimum track width 14
Mudguard 29
Multi plug 72

N

No boom movements 70
No spray from boom 69
Nominal contents 7
Nozzle filters 53
Nozzle tube 64
Nozzles 76

O

O-ring 64
Off-season storage 67
Oil heats up 70
Oil pressure 70
OLH boom 31
OLS boom 32
OLV boom 31
Operating pressure 76
Operating temperature 76
Operating unit 7
Operational problems 68
Operator safety 5

P

P.T.O. shaft 7, 11
Parking brake 19, 30, 56
Personal protection 44
Pesticide washings 45
Powder chemicals 41
Power failure 72
Power supply 18, 70
Pressure gauge 39
Pressure increasing 69
Pressure range 76
Pressure valve 35

Product Identification Certificate 4
Protection film 8
Protection guards 64
Protective clothing 45
Pump 7
Pump capacity 75
Pump valves 61
PVC sheet 28

R

RADIAL connection 64
Ram not functioning 71
Rear lights 26, 76
Recycling 76
Remote pressure gauge 39
Restrictor 39
Rinsing nozzles 42
Rinsing tank 37, 42
Rinsing tank drain valve 44

S

Safe sprayers 45
Safety valve 68
Selector switch 27
SELF TRACK 10, 24
Self-Cleaning Filter 39, 53
Shipping package labels 4
Shock absorbers 63
SI 76
Single outlet 17
Single-line brakes 20
Small storage Locker 26
Soap dispenser 27
Sprayer trails unstable 68
Spraying circuit 53
Stability 15
STEER TRACK 24
STEERING drawbar 10
Stop wedges 30
Strawdivider 28
Suction Filling Device 36
Suction filter 53
Suction valve 35
Support leg 30
suspension 53
Swivel type 8

T

Tank 7
Tank drain valve 43
Tank lid 35
Technical Residue 43
Temperature 76
TRACKER damping system 68

TRAIL CONTROL 10
Transmission shaft 11, 54, 64
Transmission shaft support 10, 30
Transport lock 23
Tyre 66
Tyre pressure 54
Tyre safety 72

U

Unloading the sprayer 8

W

Warnings 5
Wear bush 62
wear rates 76
Wheel bearings 56
Wheel bolts 54
Wheel brake cover 28
Wiring 22
Work lights 27
Working zone 6

Z

Zugmaul 8

