

# COMMANDER *plus* GVA & GLA

## Instruction book

670827-GB-2001/01

**We congratulate you for choosing a HARDI plant protection product. The reliability and efficiency of this product depend upon your care. The first step is to carefully read and pay attention to this instruction book. It contains essential information for the efficient use and long life of this quality product.**



**As the instruction book covers all COMMANDER *plus* models with GVA or GLA boom, please pay attention to the paragraphs dealing with precisely your model.**

**This book is to be read in conjunction with the “Spray Technique” book.**

**More information about the COMMANDER *plus* can be found on the product’s own website at: <http://www.commander-plus.com>**

Illustrations, technical information and data in this book are to the best of our belief correct at the time of printing. As it is HARDI INTERNATIONAL A/S policy permanently to improve our products, we reserve the right to make changes in design, features, accessories, specifications and maintenance instructions at any time and without notice. HARDI INTERNATIONAL A/S is without any obligation in relation to implements purchased before or after such changes.

HARDI INTERNATIONAL A/S cannot undertake any responsibility for possible omissions or inaccuracies in this publication, although everything possible has been done to make it complete and correct.

As this instruction book covers more models and features or equipment, which are available in certain countries only, please pay attention to paragraphs dealing with precisely your model.

Published and printed by HARDI INTERNATIONAL A/S



## Table of contents

Declaration of Conformity	4	Adjustment of pressure equalisation	36
Operator safety	5	Operating the control unit while spraying	37
COMMANDER plus	6	Remote pressure gauge (if fitted)	37
Sprayer use	8	Filters	37
Unloading the sprayer from the truck	8	Self-cleaning filter	37
Before putting the sprayer into operation	8	Choice of correct restrictor	37
Connecting the sprayer	9	Filling of chemicals	38
Drawbars	9	Filling of Liquid chemicals	38
Fixed drawbar	10	Filling of Powder chemicals	39
STEERING drawbar	10	Use of rinsing tank and rinsing nozzles (if fitted)	40
SELF TRACK for COMMANDER 2200/2800	10	Technical Residue	41
AUTO TRACK	10	Draining a residue	41
Transmission shaft	11	Using the drain valve	41
Operator safety	11	Using the suction quick coupler	41
Installation of transmission shaft	11	Operation of the drain valves	41
Track gauge	13	Spray Technique - see separate book	42
Altering the track gauge	13	Safety precautions	42
Adjustment ranges - track width	14	Personal protection	42
Turning rim and rim plate	16	Disconnecting the sprayer	43
Permitted rim positions	16	Maintenance - rules of thumb	44
Hydraulic system	17	Cleaning the sprayer	44
Direct Acting Hydraulic system	17	Cleaning the tank	44
Adjusting the valves	17	Cleaning and maintenance of filters	45
Load Sensing	17	Lubrication	46
Control boxes and power supply	18	About lubricants	46
Brakes	19	Recommended lubricants	46
Emergency and parking brake (if fitted)	19	Lubrication & oiling plan	47
Hydraulic activated brakes (if fitted)	19	Service and Maintenance intervals	52
Air activated brakes (if fitted)	19	10 hours service	52
Single-line brakes (if fitted)	20	50 hours service	52
Dual-line brakes (if fitted)	20	100 hours service	52
Counter weight (TRACKER models only)	21	250 hours service	52
Transport	22	1000 hours service or yearly, whichever comes first	52
Roadworthiness	22	Occasional maintenance	53
Rear lights (if fitted)	22	Off-season storage	70
Transport brackets, height setting	22	Off-season storage program	70
Transport bracket - inner section	23	Preparing the sprayer for use after storage	70
Driving Technique	24	Operational problems	71
STEER TRACK and SELF TRACK	24	Emergency operation of the sprayer	75
AUTO TRACK	25	Technical specifications	76
Equipment - Standard and Additional	26	Overall dimensions	76
Ladder	26	Weight	76
Platform	26	Pump capacity	78
Tank level indicator	26	Filters and nozzles	79
Large storage Locker (if fitted)	26	Filter gauze width	79
Small storage Locker (if fitted)	26	Temperature and pressure ranges	79
Front Locker (if fitted)	26	Brakes	79
Boom and Work lights (if fitted)	27	Materials and recycling	79
Crop protection Kit (if fitted)	28	Disposal of the sprayer	79
Mudguards (if fitted)	29	Conversion factors, SI to Imperial units	79
Operating the boom	30	Electrical connections	79
Boom manoeuvring	30	Rear lights	79
Operating the liquid system	31	Electrical connections for EVC operating unit	80
MANIFOLD SYSTEM	31	Electrical chart (EVC)	81
Use of MANIFOLD valve system	32	Installation instruction for boom and work light	82
Electric operated MANIFOLD valves (if fitted)	33	Electrical specifications for Boom and Work light	83
Quick reference	33		
Filling of water	33		
Filling of rinsing tank (if fitted)	35		
Filling of clean water tank	36		
Adjustment of EVC operating unit	36		
Operating unit - conventional liquid system	36		
Operating unit - HCFS	36		

# CE Declaration

---



## Declaration of Conformity

**Manufacturer,**

HARDI INTERNATIONAL A/S  
Helgeshøj Allé 38  
DK 2630 Taastrup  
DENMARK

**Importer,**

declare that the following product;

---


**A.** was manufactured in conformity with the provisions in the COUNCIL DIRECTIVE of 14 June 1989 on mutual approximation of the laws of the Member States on the safety of machines (89/392/EEC as amended by directives 91/368/EEC and 93/368/EEC) with special reference to Annex 1 of the Directive on essential safety and health requirements in relation to the construction and manufacture of machines.

**B.** was manufactured in conformity with the current standards implementing harmonised standards in accordance with Article 5 (2) and other relevant standards.

Taastrup, October 2000

\_\_\_\_\_  \_\_\_\_\_

Mogens Nøthen-Hansen  
Managing Director  
HARDI INTERNATIONAL A/S

Adhere extra shipping package labels in the  *Product Identification Certificate.*

# Safety notes

## Operator safety



Watch for this symbol .  
It means **WARNING, CAUTION,**  
**NOTE.** Your safety is involved so be  
alert!

Note the following recommended precautions and safe operating practices.



**Read and understand this instruction book before using the equipment. It is equally important that other operators of this equipment read and understand this book.**



**Local law may demand that the operator is certified to use spray equipment. Adhere to the law.**



**Pressure test with clean water prior to filling with chemicals.**



**Wear protective clothing.**



**Rinse and wash equipment after use and before servicing.**



**Depressurize equipment after use and before servicing.**



**Never service or repair the equipment while it is operating.**



**Disconnect electrical power before servicing.**



**Always replace all safety devices or shields immediately after servicing.**



**If an arc welder is used on the equipment or anything connected to the equipment, disconnect power leads before welding. Remove all inflammable or explosive material from the area.**



**Do not eat, drink or smoke while spraying or working with contaminated equipment.**



**Wash and change clothes after spraying.**



**Wash tools if they have become contaminated.**



**In case of poisoning, immediately seek medical advice. Remember to identify chemicals used.**



**Keep children away from the equipment.**



**Do not attempt to enter the tank.**



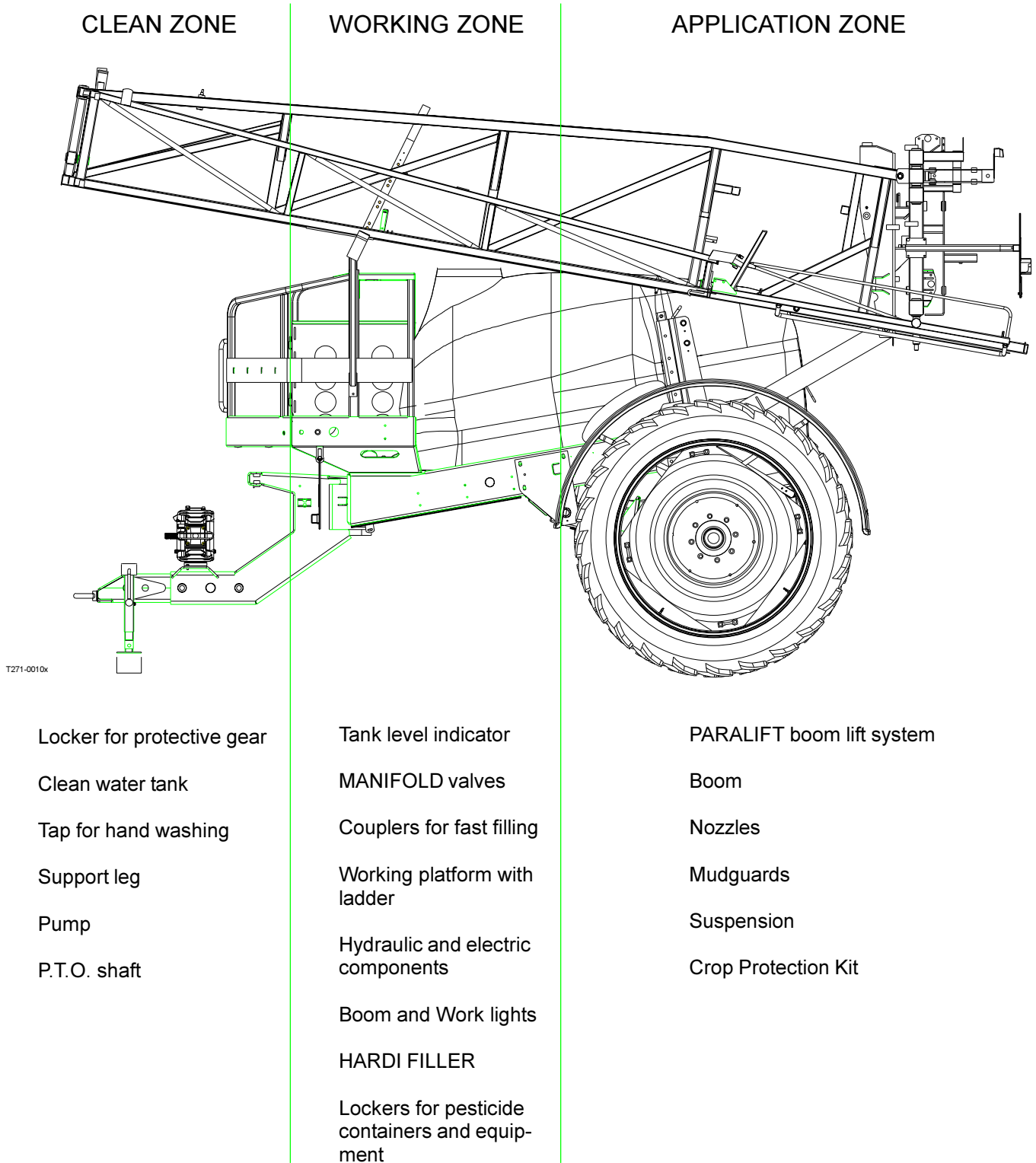
**Do not go under any part of the sprayer unless it is secured. The boom is secure when placed in the transport brackets.**

If any portion of this instruction book remains unclear after reading it, contact your HARDI dealer for further explanation before using the equipment.

# Description

## COMMANDER plus

The COMMANDER plus is divided into three zones: a Clean zone, a Working zone and an Application zone, referring to the level of possible pesticide contamination.



Please note that some of the features are optional equipment

# Description

## Description

### Frame

Strong and compact frame with several options of drawbars and wheel sizes. The frame has a strong chemical and weather resistant electrostatic lacquer coat. Screws, nuts, etc. have been DELTA-MAGNI treated to be resistant to corrosion.

### Tank

UV-resistant Polyethylene in a suitable design with no sharp corners for easy agitation, emptying and cleaning. Nominal contents 2200, 2800, 3200 or 4200 l.

### Pump

Diaphragm pump with 6 diaphragms, model 363 or 463, depending on boom width, with easily accessible valves and diaphragms. Standard = 540 r.p.m. (6 splines)  
Optional = 1000 r.p.m. (21 splines).

### MANIFOLD SYSTEM

All functions of the spray circuits are operated via the centrally situated MANIFOLD valves with colour coded plates and pictorial symbols for easy operation.

### Fluid System

The sprayer can be equipped with a conventional fluid system or with a High Capacity Fluid System.

### High Capacity Fluid System - HCFS (28-36 m GVA boom only)

With the HCFS it is possible to achieve an application rate of up to 600 l/min. The HCFS is equipped with two conjoined 463 pumps, which have parallel outlet and feeding.

### Operating unit

The system is based on EVC - Electrical Valve Control. The on/off is linked to the section valves, which is resulting in a very quick response to on/off.

The operating unit is constructed of modules and is electrically controlled via a remote control box.

The built-in HARDI-MATIC ensures a constant volume per hectare of the liquid (l/ha) at varying forward speed within the same gear when the number of P.T.O. revolutions are between 300-600 r.p.m. (pump 540 r.p.m) or 650-1100 r.p.m. (pump 1000 r.p.m.).

### Filters

With the self-cleaning filter the impurities that exist in the spray liquid will by-pass the filter and be recirculated back to the tank via the return flow. Also suction filter and nozzle filters are standard. In-line pressure filters can be fitted as option.

### Boom

The sprayer can be equipped with either GVA or GLA

boom. Both boom types are made of aluminium.

The boom is suspended in a strong, stable parallelogram boom lift.

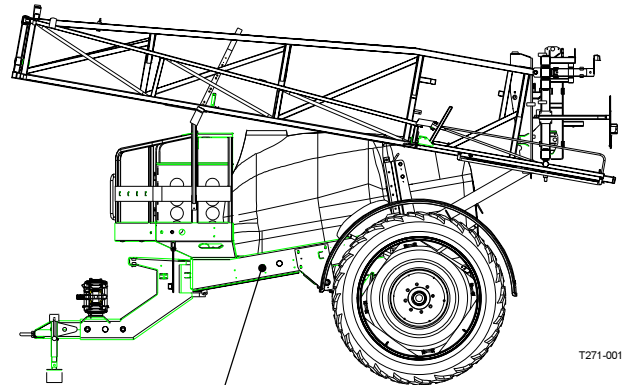
The boom is pendulum suspended and fully hydraulically operated, as all functions are controlled via the Direct Acting Hydraulic System (D.A.H.).

Outer sections incorporate spring loaded breakaway.

The GVA boom is available in 24, 27, 28, 30, 32 and 36 m working width, the GLA boom is available in 24, 27, 28 and 30 m working width.

### Identification plates

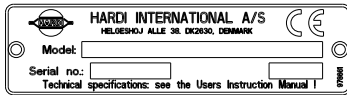
An identification plate fitted on the frame indicates producer name, model, own weight, max. weight, max. pressure of the hydraulic system, and max. pressure of the spray liquid system. Frame, boom centre frame, and inner/outer sections also have identification plates indicating boom type and part number of spare parts. If ordering spare parts, inform your dealer of these, so the right model and version are described.



T271-0010x

HARDI INTERNATIONAL A/S			
HILGESHØJ ALLE 38, DK-2630 TÅSTRUP, DENMARK			
Fabrikat. / Make:	HARDI		
Type / Typ:	CH 2		
Serial No. / Serienr.:	No. / No. / No.		
Fabrikations-/Produktionstær./Builder. An. / Fabrication. An. / Fabrication:	_____		
Kapacitet. / Capacity. / Kapacitet. / Capacité. / Capacidade:	L. _____		
Model / Model:	_____		
Statisk last. / Draught Load. / Statisk last. / Charge Filéne. / Pondero del Tirón:	_____ kg	_____ kg	_____ kg
Egenvegt. / Unladen weight. / Lørgewicht. / P.V. / Peso Propio:	_____ kg	_____ kg	_____ kg
Model / Model:	_____	_____	_____
Statisk last. / Draught Load. / Statisk last. / Charge Filéne. / Pondero del Tirón:	_____ kg	_____ kg	_____ kg
Egenvegt. / Unladen weight. / Lørgewicht. / P.V. / Peso Propio:	_____ kg	_____ kg	_____ kg

# Description



(Certain countries only)

T279-0005  
T279-0002  
T279-0006

## Before putting the sprayer into operation

Although the sprayer has been applied with a strong and protective surface treatment on steel parts, bolts etc. in the factories, it is recommended to apply a film of anticorrosion oil (e.g. CASTROL RUSTILLO or SHELL ENSIS FLUID) on all metal parts in order to avoid chemicals and fertilisers discolouring the enamel.

If this is done before the sprayer is put into operation for the first time, it will always be easy to clean the sprayer and keep the enamel shiny for many years.

This treatment should be carried out every time the protection film is washed off.

## Sprayer use

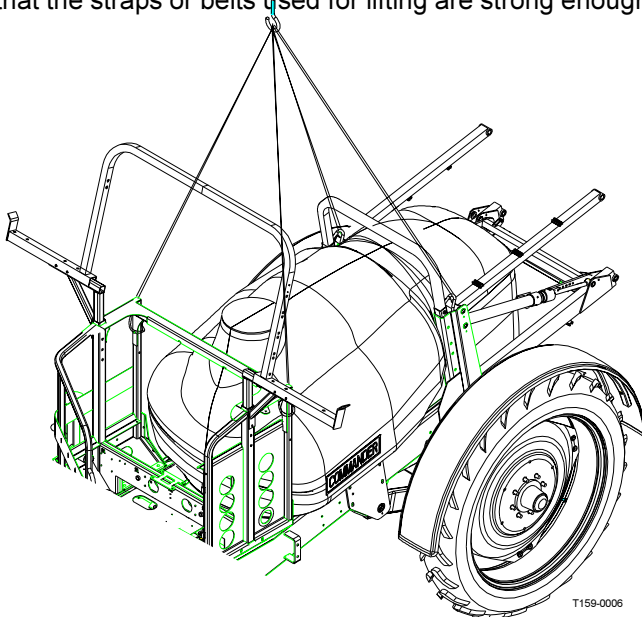
The HARDI COMMANDER sprayer is for the application of crop protection chemicals and liquid fertilisers.

The equipment must only be used for this purpose. It is not allowable to use the sprayer for other purposes.

If no local law demands that the operator must be certified to use the spray equipment, it is strongly recommended to be trained in correct plant protection and in safe handling of plant protection chemicals to avoid unnecessary risk for persons and the environment when doing the spray job.

## Unloading the sprayer from the truck

For the unloading of the sprayer a crane or a fork lift is needed. When loading with a crane please observe the lifting points as shown on the illustration, and make sure that the straps or belts used for lifting are strong enough.





# Sprayer setup

## Connecting the sprayer

### Drawbars

Mounted on the chassis in a centre pivot, the drawbar can be either standard fixed or optionally steered. Steering can be hydraulically operated or it can be automatically controlled (AUTO TRACK).

### Overview - Drawbar systems

COMMANDER	FIXED DRAWBAR	STEERING DRAWBAR	AUTO TRACK	SELF TRACK
2200/2800	Yes	Yes	Yes	Yes
3200/4200	Yes	Yes	Yes	No

035

Following drawbar extensions are available. The drawbar extensions are available - steering or fixed - for both high and low tractor hitch points. Each drawbar is available in a long or a short version.

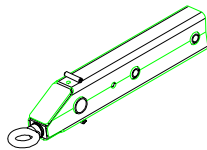
### Overview - Drawbar extensions

Drawbar extensions	COMMANDER 2200/2800	COMMANDER 3200/4200
	HIGH and LOW hitch	HIGH and LOW hitch
Swivel type Ø33	No	Yes
Swivel type Ø36	Yes	No
Zugmaul Ø40	Yes	Yes
Hitch Ø50 (ISO 5692)	Yes	Yes

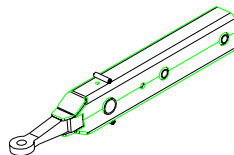
All drawbars are available in a long and a short version

034

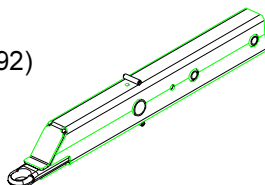
Swivel type



Zugmaul



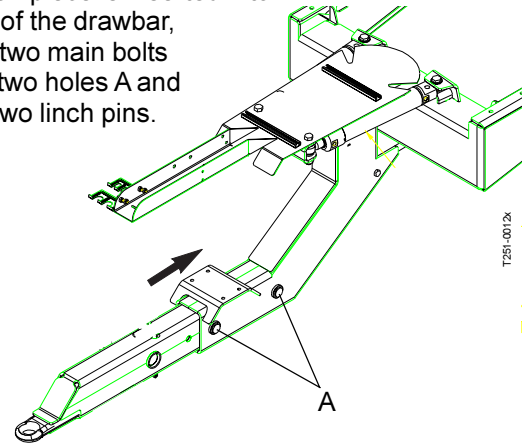
Hitch (ISO 5692)



T251-0014x

### Mounting the drawbar extension

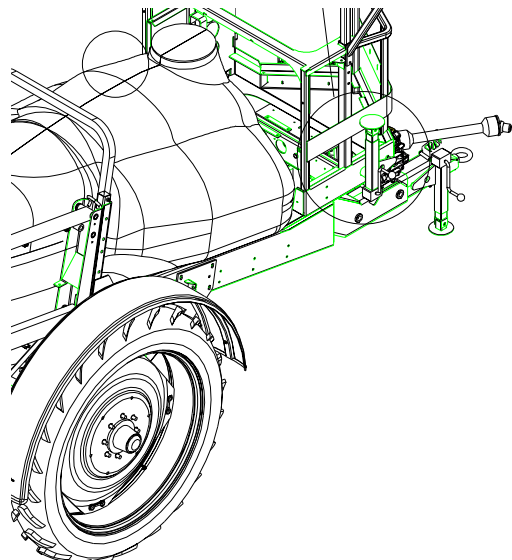
The extension piece is inserted into the opening of the drawbar, fastened by two main bolts through the two holes A and secured by two linch pins.



T251-0012x

### Support leg

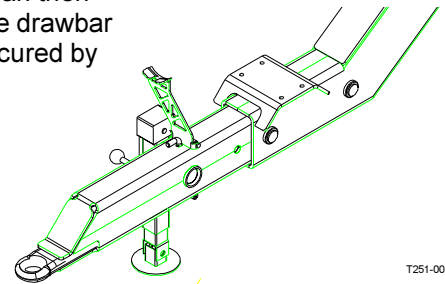
The support leg is stored in the bracket on the sprayer's right side when the sprayer is attached to the tractor.



T142-0028x

To remove the support leg: Lift the leg, remove the linch pin and pull out the support leg.

The support leg can then be mounted to the drawbar extension and secured by linch pin.

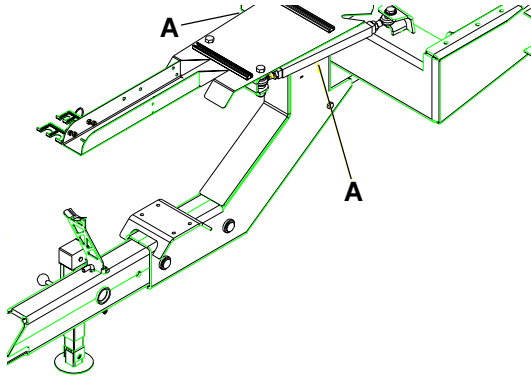


T251-0012x

# Sprayer setup

## Fixed drawbar

Make sure the drawbar points straight ahead from its position on the trailer. If not, the two turn buckles **A** can be adjusted till the drawbar is centred.



T251-0012x

## STEERING drawbar

### Transport lock (if fitted)

The transport lock is a safeguard that will keep the drawbar in a centred position in case of hydraulic leakage during transport on public roads.

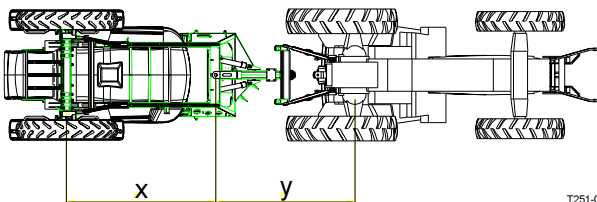
The transport lock is fixed by linch pins.

If necessary, the transport lock can be adjusted by turning the turnbuckle.

## SELF TRACK for COMMANDER 2200/2800

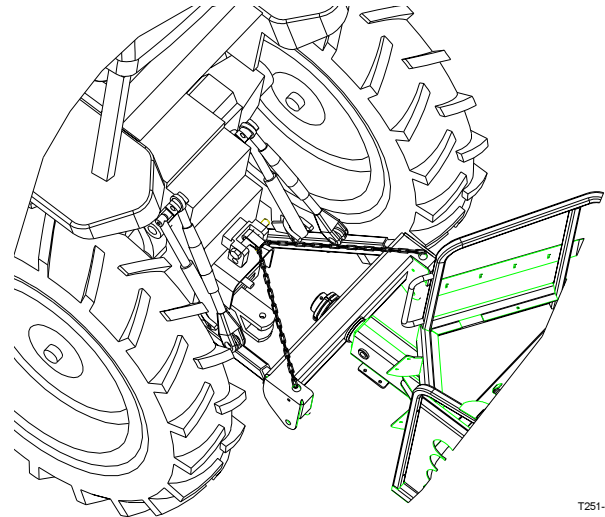
SELF TRACK is connected as follows:

1. Attach the tractor lower links in the two mountings of the SELF TRACK. Adjust the length of the drawbar if necessary - to obtain the best tracking, choose the setting where the distance  $X$  is equal to distance  $Y$ . Secure with linch pins.



T251-0015x

2. Attach safety chains to top link clevis. The chain will prevent the transmission shaft from being damaged if the lift arms are lowered too far. Adjust the chain length so the chains are tight when the tractor P.T.O. and pump shaft are in a horizontal line.



T251-0016x

**NOTE!** If possible, lock the tractor hydraulic lever when the lift arms are in the correct position to avoid the sprayer weight resting on the stabiliser chains.

3. Tighten the lift arm stabiliser chains.



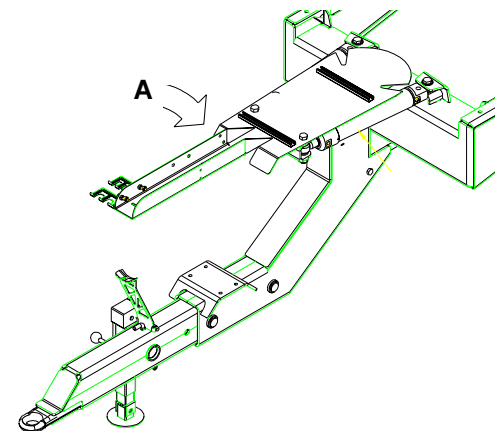
**WARNING!** Do not stand in the area around the drawbar during manoeuvring.

## AUTO TRACK

Please refer to separate instruction book.

## Hose package support

To prevent hoses and wiring from being damaged by the tractor wheels, all hoses, cables and wires are held by the hose bracket **A** fitted to the drawbar.



T251-0012x

Check that the length of the hoses and cables are sufficient by tight turns.

# Sprayer setup

## Transmission shaft

### Operator safety

To avoid accidents and personal injuries, note the following recommended precautions and safe operation practices.

1. Always STOP ENGINE before attaching the transmission shaft to tractor P.T.O. - most tractor P.T.O. shafts can be rotated by hand to facilitate spline alignment, when engine is stopped.

2. When attaching the shaft, make sure that the snap lock is FULLY ENGAGED - push and pull shaft until it locks.



**WARNING!** ROTATING TRANSMISSION SHAFTS WITHOUT PROTECTION GUARDS ARE FATAL.

3. Always keep protection guards and chains intact and make sure that it covers all rotating parts, including CV-joints at each end of the shaft. Do not use without protection guard.

4. Do not touch or stand on the transmission shaft when it is rotating - safety distance: 1.5 meter.

5. Prevent protection guards from rotating by attaching the chains allowing sufficient slack for turns.

6. Make sure that protection guards around tractor P.T.O. and implement shaft are intact.

7. Always STOP ENGINE and remove the ignition key before carrying out maintenance or repairs to the transmission shaft or implement.

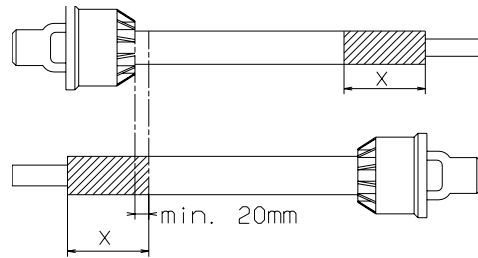
### Installation of transmission shaft

First installation of the transmission shaft is done in the following way:

1. Attach sprayer to tractor and set sprayer height in the position with shortest distance between the tractor and sprayer pump P.T.O. shafts.
2. Stop engine and remove ignition key.
3. If transmission shaft must be shortened, the shaft is pulled apart.

Fit the two shaft parts at tractor and sprayer pump and measure how much it is necessary to shorten the shaft.

Mark the protection guards.

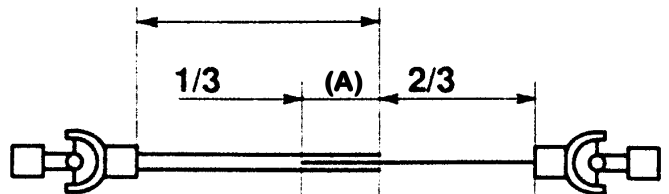


T259-0004

**NOTE!** The shaft must always have a minimum overlap. The size of this overlap depends on the pump model:

#### Pump with 6 splines/540 r.p.m.

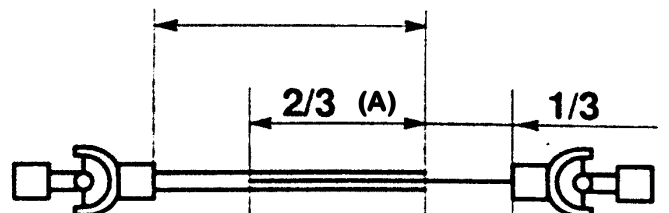
The shaft must always have an overlap (A) of minimum 1/3 of the length.



T259-0011

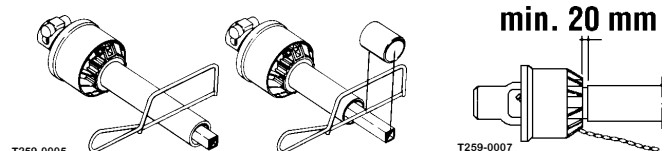
#### Pump with 21 splines/1000 r.p.m.

The shaft must always have an overlap (A) of minimum 2/3 of the length.



T259-0011

4. The two parts are shortened equally. Use a saw, and file the profiles afterwards to remove burrs.

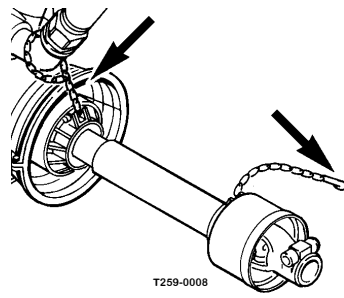


5. Grease the profiles and assemble male and female parts again.
6. Fit the shaft to tractor P.T.O. and sprayer pump shaft.

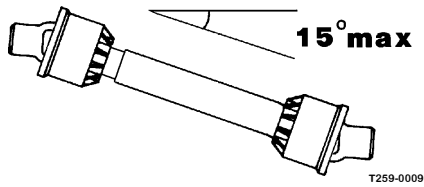
**NOTE!** Female part marked with a tractor towards tractor!

# Sprayer setup

7. Fit the chains to prevent the protection guards from rotating with the shaft.



8. To ensure long life of the transmission shaft, try to avoid working angles greater than 15°.



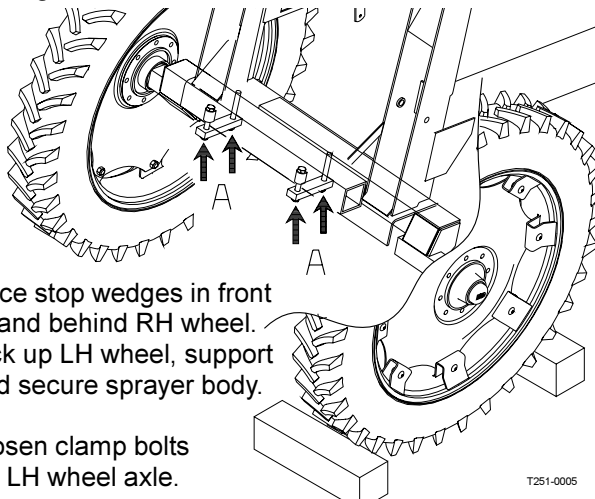
# Sprayer setup

## Track gauge

### Altering the track gauge

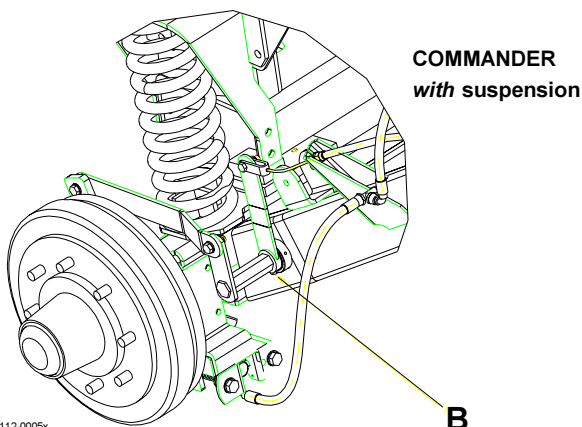
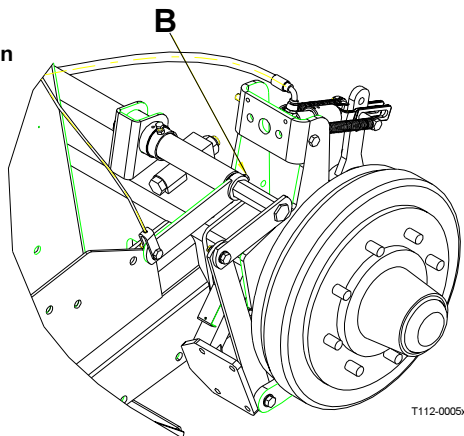
The track gauge of the COMMANDER can be altered stepless as follows,

1. Measure the current track gauge (centre RH tyre to centre LH tyre). Each side must be extended or retracted half the desired alteration.
2. Attach the sprayer to tractor and engage tractor parking brake.

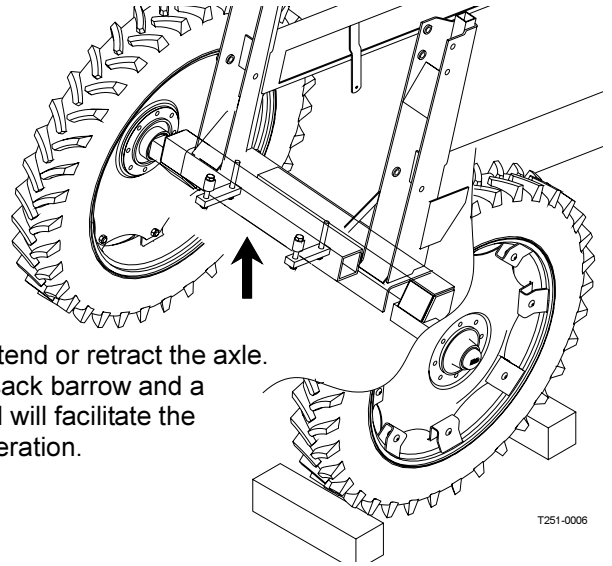


3. Place stop wedges in front of and behind RH wheel. Jack up LH wheel, support and secure sprayer body.
4. Loosen clamp bolts for LH wheel axle.
5. Loosen the nut **B** on the brake operating arm. Extend/retract this arm according to the adjustment of the axle.

COMMANDER  
without suspension



6. Extend or retract the axle. A sack barrow and a rod will facilitate the operation.



7. If the rim position must be changed (described later in this chapter) do this first and fine adjust by extending or retracting the axles. Remember to tighten the wheel nuts to the specified torque:

Rim plate to rim:	280 + 30 Nm (207 + 22 lbf)
Rim plate to hub:	490 Nm (288 lbf)

8. Tighten the clamp bolts to a torque of:

280 Nm (207 lb.ft)	for 2200/2800
390 Nm (289 lbf)	for 3200/4200.

9. Tighten nut **B** again.

**IMPORTANT!** Place the jack under the axle and lift the wheel to remove load from the clamps before tightening the clamp bolts to the specified torque.

10. Repeat the procedure on RH wheel.
11. Check the distance from centre tyre to centre of tank frame is equal at RH and LH.
12. Retighten clamp bolts and wheel bolts to specified torque after 8 hours of work.

# Sprayer setup

## Adjustment ranges - track width

The maximum track width for all models is **2250 mm**.

The minimum track width depends on the parameters in the charts beneath and whether the sprayer is equipped with suspended axle - or not. Please refer to the following charts (all figures in mm).

### Min. track width - Sprayers without suspension

<b>CM plus 2200</b>	<b>Tyre size</b>						
Sprayer with:	<b>9.5 x 44"</b>	<b>9.5 x 48"</b>	<b>11.2 x 44"</b>	<b>11.2 x 48"</b>	<b>12.4 x 46"</b>	<b>18.4 x 38"</b>	<b>20.8 x 38"</b>
<b>Flange hub</b>	1500	1500	1500	1500	1500	1680	1720
<b>Mudguards</b>	1500	1520	1500	1520	1520	1740	1740

<b>CM plus 2800</b>	<b>Tyre size</b>						
Sprayer with:	<b>9.5 x 44"</b>	<b>9.5 x 48"</b>	<b>11.2 x 44"</b>	<b>11.2 x 48"</b>	<b>12.4 x 46"</b>	<b>18.4 x 38"</b>	<b>20.8 x 38"</b>
<b>Flange hub</b>		1500	1500	1500	1500	1680	1720
<b>Mudguards</b>		1520	1500	1520	1520	1740	1740

<b>CM plus 3200</b>	<b>Tyre size</b>						
Sprayer with:	<b>9.5 x 44"</b>	<b>9.5 x 48"</b>	<b>11.2 x 44"</b>	<b>11.2 x 48"</b>	<b>12.4 x 46"</b>	<b>18.4 x 38"</b>	<b>20.8 x 38"</b>
<b>Flange hub</b>			1520	1520	1540	1680	1730
<b>Mudguards</b>			1570	1590	1590	1780	1780

<b>CM plus 4200</b>	<b>Tyre size</b>						
Sprayer with:	<b>9.5 x 44"</b>	<b>9.5 x 48"</b>	<b>11.2 x 44"</b>	<b>11.2 x 48"</b>	<b>12.4 x 46"</b>	<b>18.4 x 38"</b>	<b>20.8 x 38"</b>
<b>Flange hub</b>					1540	1680	1730
<b>Mudguards</b>					1590	1780	1780

It is not permitted to fit dual wheels!

**IMPORTANT!** On TRACKER models a minimum track width of 1800 mm is strongly recommended to ensure stability and to avoid the sprayer from tipping over.

**NOTE!** The wider the track width, the better is the stability of the sprayer and boom.

# Sprayer setup

## Min. track width - Sprayers with suspension

<b>CM plus 2200</b>	<b>Tyre size</b>						
Sprayer with:	<b>9.5 x 44"</b>	<b>9.5 x 48"</b>	<b>11.2 x 44"</b>	<b>11.2 x 48"</b>	<b>12.4 x 46"</b>	<b>18.4 x 38"</b>	<b>20.8 x 38"</b>
<b>Flange hub</b>	1800	1800	1800	1800	1800	2020	2060
<b>Mudguards</b>	1800	1800	1800	1800	1800	2020	2060

<b>CM plus 2800</b>	<b>Tyre size</b>						
Sprayer with:	<b>9.5 x 44"</b>	<b>9.5 x 48"</b>	<b>11.2 x 44"</b>	<b>11.2 x 48"</b>	<b>12.4 x 46"</b>	<b>18.4 x 38"</b>	<b>20.8 x 38"</b>
<b>Flange hub</b>		1800	1800	1800	1800	2020	2060
<b>Mudguards</b>		1800	1800	1800	1800	2020	2060

<b>CM plus 3200</b>	<b>Tyre size</b>						
Sprayer with:	<b>9.5 x 44"</b>	<b>9.5 x 48"</b>	<b>11.2 x 44"</b>	<b>11.2 x 48"</b>	<b>12.4 x 46"</b>	<b>18.4 x 38"</b>	<b>20.8 x 38"</b>
<b>Flange hub</b>			1800	1800	1800	2020	2060
<b>Mudguards</b>			1800	1800	1800	2020	2060

<b>CM plus 4200</b>	<b>Tyre size</b>						
Sprayer with:	<b>9.5 x 44"</b>	<b>9.5 x 48"</b>	<b>11.2 x 44"</b>	<b>11.2 x 48"</b>	<b>12.4 x 46"</b>	<b>18.4 x 38"</b>	<b>20.8 x 38"</b>
<b>Flange hub</b>					1800	2020	2060
<b>Mudguards</b>					1800	2020	2060

It is not permitted to fit dual wheels!

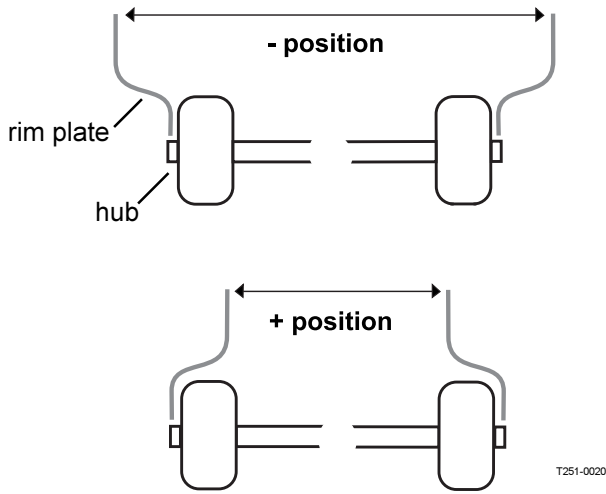
**IMPORTANT!** On TRACKER models a minimum track width of 1800 mm is strongly recommended to ensure stability and to avoid the sprayer from tipping over.

**NOTE!** The wider the track width, the better is the stability of the sprayer and boom.

# Sprayer setup

## Turning rim and rim plate

Track gauge can be altered by turning rim and rim plate, positions referred to as '+' or '-' position.



T251-0020

## Permitted rim positions

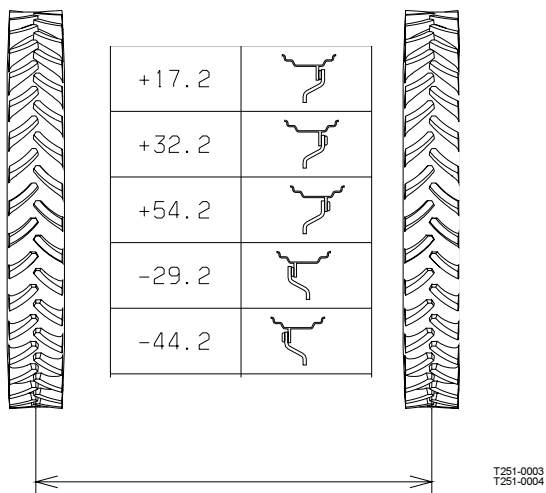


**WARNING!** When altering track gauge by turning rims and rim plates the maximum permitted offset between centre wheel and hub flange must be observed:

### Max offset, hub flange and centre rim:

COMMANDER model	Min. rim offset	Max. rim offset
2200/2800	- 45	+ 55
3200/4200	- 33	+ 55

## Overview



T251-0003  
T251-0004

**IMPORTANT!** Tyre sizes **18.4 x 38"** and **20.8 x 38"** are not permitted in any "+ position", only use the "- positions".



# Sprayer setup

## Hydraulic system

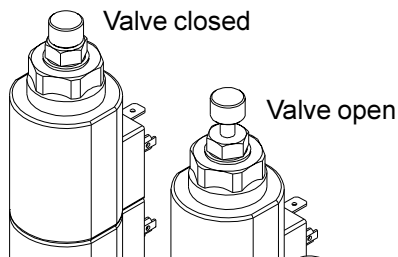
### Direct Acting Hydraulic system

The D.A.H. system requires a double acting hydraulic outlet. The hydraulic hoses are marked with arrows to indicate direction of oil flow.

The D.A.H. system requires an oil flow between 10 and 90 l/min (19.8 Imp. gal/min.) and a min. pressure of 130 bar (1886 p.s.i.) The system has a built-in flow regulator that maintains constant speed on hydraulic movements.

The hydraulic distribution block is situated underneath the platform floor.

The valves on the block are operated by means of manual override and each valve can be in 'open' or 'closed' position (simply rotate the valve to change between open and closed).

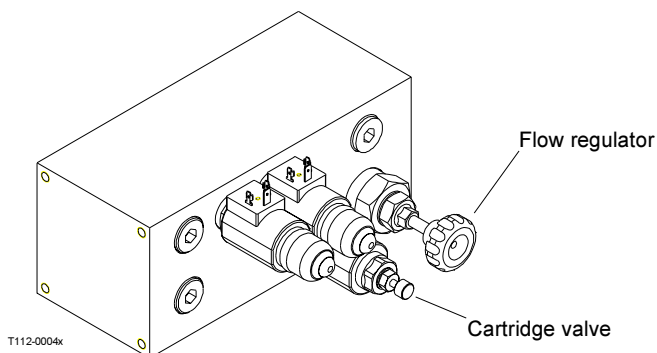


T112-0004x

### Adjusting the valves

Before operating the hydraulics, the valves on the sprayer's hydraulic distribution block should be adjusted according to the specific tractor model (please refer to scheme later in this part).

If you have doubt about which type of hydraulic system your tractor is equipped with, please ask your tractor dealer.



T112-0004x

Tractor/hydraulic system	Cartridge valve	Flow regulator
<b>Standard</b> (constant flow tractor)	<b>Open</b>	<b>Open</b>
<b>Closed centre</b> (certain JD tractors)	<b>Closed</b>	<b>Closed</b>
<b>Load sensing *</b> 1. Without external sensing line	<b>Open</b>	<b>Open</b>
<b>Load sensing</b> 2. With external sensing line	<b>Open</b>	<b>Closed</b>

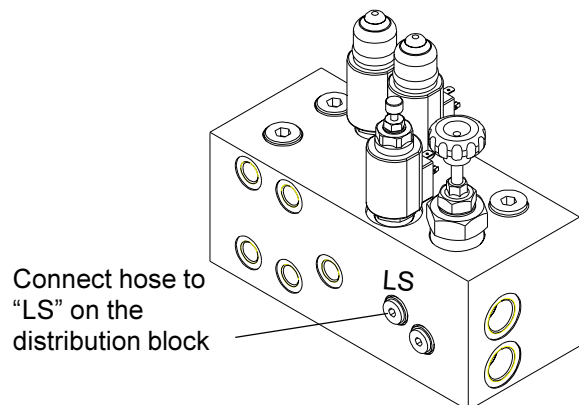
\* Tractor flow output to be reduced to app. 20 litres/min.

e051

### Load Sensing

Please consult your tractor dealer for correct setup and correct connection.

Certain tractor models are able to use Load Sensing *without* connecting an external sensing line (setting 1 in scheme). But if optimal sensing control pressure *cannot* be obtained, an external sensing line needs to be mounted (setting 2 in scheme).



T112-0007x

### Requirements - Load Sensing hose:

1/4" Standard hose

Max. rated working pressure = 200 bar.

**IMPORTANT!** It is of essential importance that connectors on sensing line are kept totally clean. Failure to do so may result in impurities entering the pump and thereby cause damages to vital pump parts.

# Sprayer setup

## Control boxes and power supply

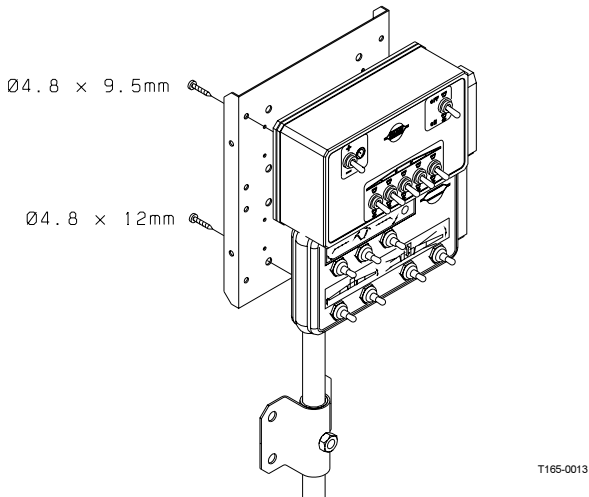
Power requirement is 12V DC.

Note Polarity!

For EVC: Brown pos. (+), Blue neg. (-).

For D.A.H.: White pos. (+), Black neg. (-).

The control boxes for EVC-operating unit and D.A.H. are fitted in the tractor cabin at a convenient place. Tapping screws can be used for mounting.



The wires must have a cross sectional area of at least 4.0 mm to ensure sufficient power supply. For the EVC-operating unit the tractor circuit should have an 8 Amp fuse and for the D.A.H. a 16 Amp fuse.

Control box for	Polarity (wire colour)		Required Fuse, Amp
	Positive +	Negative -	
EVC operating unit	Brown	Blue	8
D.A.H. Hydraulic	White	Black	16
MANIFOLD valve	Brown	Blue	8

Use the HARDI Electric distribution box (No. 817925) if the tractor has a doubtful power supply.

# Sprayer setup

## Brakes

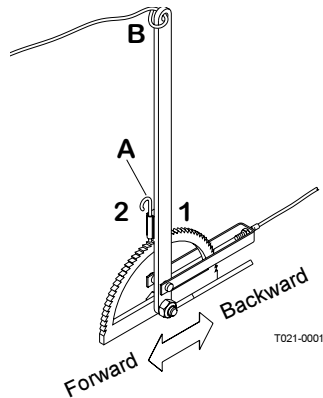
### Emergency and parking brake (if fitted)

The parking brake lever has two function modes, which are determined by the small pawl control clip (A).

To change between the two modes, turn the clip.

Pos. 1: The pawl control clip must point away from the pawl.

Pos. 2: The pawl control clip must rest against the pawl.



### To disengage the parking brake:

1. Set pawl control clip in pos. 1.
2. Pull the lever a little forward to release the pawl from the ratchet and then push the lever fully backwards.

### To engage the parking brake:

1. Set pawl control clip in pos. 2.
2. Pull the lever firmly forwards until parking brake is fully engaged.

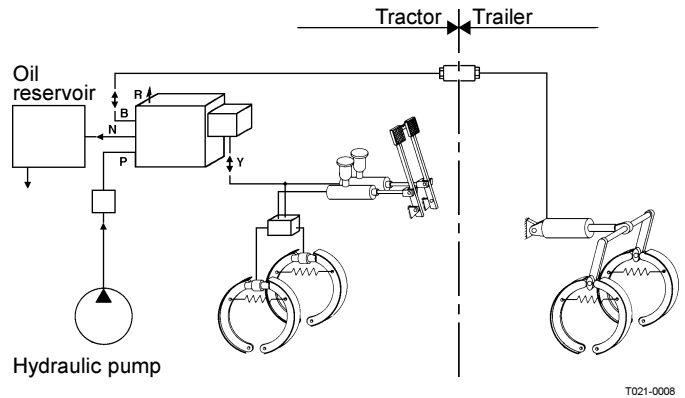
### Emergency brake

1. Set pawl clip in pos. 2.
2. Attach the rope from the hole in top of the handbrake lever (B) to e.g. the tractor top link attaching point. If the sprayer is accidentally unhooked during transport the rope will apply the parking brake before the rope breaks.

**IMPORTANT!** To ensure safe engagement and to avoid damages to the parking brake use rope with an ultimate stress between 690 N (155 lb.) and 785 N (176 lb.).

### Hydraulic activated brakes (if fitted)

This requires a special trailer brake valve attached to the tractor hydraulic and brake system. Connect the snap coupler to the tractor brake outlet. When the tractor brakes are applied, the trailer brakes will work proportionally to the tractor brakes, and ensure safe and effective braking.



**WARNING!** Do not connect the brakes directly to the tractor hydraulics without the brake valve. The trailer brake power cannot be controlled, and braking will therefore be hazardous.

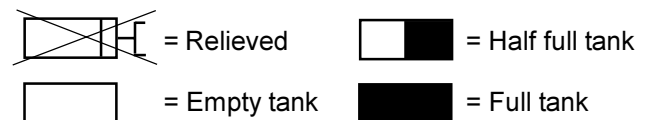
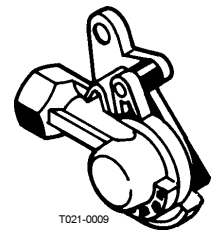
**IMPORTANT!** Max. oil pressure is 150 bar (2175 p.s.i.) in the brake line.

Relieve parking brake before driving.

### Air activated brakes (if fitted)

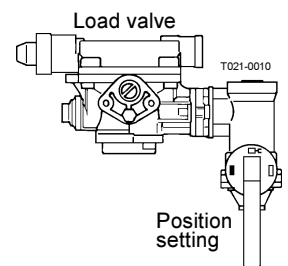
This system requires a tractor with compressor and air brake system with out-let(s) for trailer brakes.

**IMPORTANT!** The load apportioning valve must be set at the position corresponding to the load on the trailer, for obtaining optimal air pressure to the trailer brakes.



**WARNING!** Driving with wrong load apportioning valve setting, will make the brakes under- or over-apply, which can cause hazardous situations.

**NOTE!** If the air hose(s) are disconnected with air in the brake air tank, control pressure will be dumped and the brakes will engage fully. If the sprayer must be moved with air in the tank and without the air hose(s) connected to the tractor, the load apportioning valve must be set at "relieved" to disengage the brakes. Remember to reset the handle to brake position again afterwards. When parking the sprayer, always engage the parking brake, as the air brakes will only be engaged as long as there is air in the tank! Cover the couplings with the dust flaps when hoses are disconnected.



# Sprayer setup

---

## **Single-line brakes (if fitted)**

Flip the snap coupler protection flap away and connect the brake system snap coupler to the tractor outlet (black) and let the compressor fill the sprayer's air reservoir.

Check brake circuit for leaks.

## **Dual-line brakes (if fitted)**

Flip the snap coupler protection flaps away and connect the two snap couplers for supply and control to the tractor outlets, and check brake circuits for leaks.

The couplers are colour coded and secured against incorrect attachment:

Red = Supply line (RH)

Yellow= Control line (LH)

Relieve parking brake before driving

# Sprayer setup

## Counter weight (TRACKER models only)

To improve stability on TRACKER models, extra weight can be added by means of liquid-filled tyres.

The standard tyre valve is an universal air-water valve.

The tyres can be filled with liquid to max. 75% of their total volume. The table below indicates the 75% volume.

Tyre size	Max. litres of liquid per tyre
9.5 x 44"	101
9.5 x 48"	108
11.2 x 44"	133
11.2 x 48"	144
12.4 x 46"	178
16.9 x 38"	285
18.4 x 38"	390
20.8 x 38"	466

1 litre = 0.264 US Gal. 1 litre = 0.22 Imp. Gal.

001

Use a mixture of water and  $\text{CaCl}_2$  to avoid frost damage as described in table below:

$\text{CaCl}_2$ per litre water	Protection to
200 g (7.1 oz)	-15°C (30.6°F)
300 g (10.6 oz)	-25°C (12.6°F)
435 g (15.4 oz)	-35°C (-5.4°F)

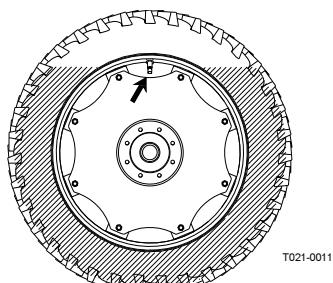


**WARNING!** It is very important that the  $\text{CaCl}_2$  is added to the water and agitated until it is fully dissolved. Never pour water on to  $\text{CaCl}_2$ ! If you get  $\text{CaCl}_2$  in the eyes, flush instantly with cold water for at least 5 minutes and seek medical advice afterwards.

**IMPORTANT!** The tyres must be liquid filled to max. 75% of total tyre volume. Fill only the qty. of liquid necessary to obtain sufficient stability of the sprayer. Do not fill liquid and  $\text{CaCl}_2$  mixture in tyres without tubes!

To fill the tyres:

- Jack up the wheel and rotate wheel till the valve is positioned at "12 o'clock".
- Remove the valve body and fill liquid until it reaches the valve.
- When surplus liquid is drained through the valve stem fit the valve body again.
- Adjust tyre pressure and lower the wheel. (Please refer to table for correct tyre pressure).



T021-0011

## Recommended tyre pressure:

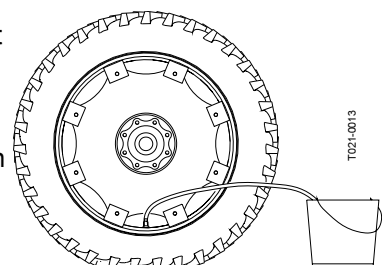
Tyre size RC 95	Recommended inflation pressure in bar (p.s.i.)	Minimum Load Index A8/A2
230/95 R44 (9.5 x 44)	3.6 (52)	134/145
230/95 R48 (9.5 x 48)	3.6 (52)	136/147
270/95 R44 (11.2 x 44)	3.6 (52)	140/151
270/95 R48 (11.2 x 48)	3.6 (52)	142/153
12.4 x 46	3.6 (52)	147/158
16.9 x 38	1.6 (23)	141/152
18.4 x 38	1.6 (23)	147/144
20.8 x 38	1.2 (18)	154/151

002

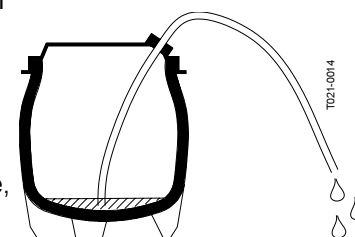
**NOTE!** When filling the tyres the valve should be positioned at 12 o'clock and when adjusting the tyre pressure, the valve should be positioned at 6 o'clock.

To empty the tyres:

- Rotate wheel till the valve is positioned at "6 o'clock."
- Remove the valve body and let out the liquid. Retain liquid in an appropriate container.
- To empty the tyre completely the tyre is inflated and a thin drain tube is lead to the bottom of the tyre. The air pressure will now empty the remaining liquid.
- Remove the drain tube, fit the valve and inflate the tyre to specified pressure. See the table "Tyre pressure".



T021-0013



T021-0014

**NOTE!** Disposal of  $\text{CaCl}_2$  has to take place according to local legislation.

# Sprayer setup

## Transport

### Roadworthiness

When driving on public roads and other areas where the highway code applies, or areas where there are special rules and regulations for marking and lights on implements, observe these and equip implements accordingly.

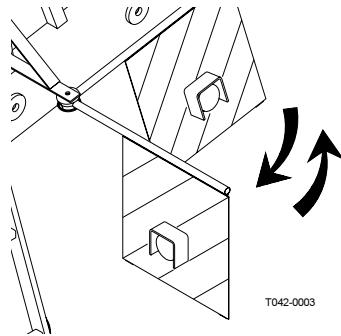
**NOTE!** Max. driving speed is 25 km/h for models *without* brakes and 40 km/h for models equipped *with* brakes.

### Rear lights (if fitted)

Connect plug for rear lights to the tractor's 7-pin socket, and check function of rear lights, stop lights and direction indicators on both sides before driving.

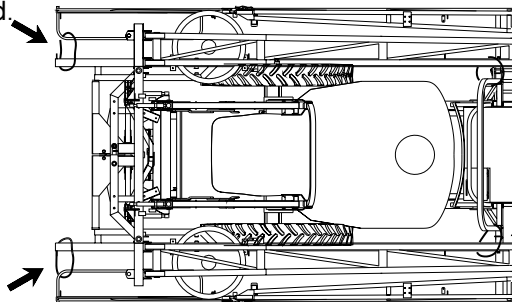
The wiring is in accordance with ISO 1724. See section on Technical specifications.

Before transport on public roads the front warning boards with position lamps must be folded out (fitted in certain countries only).



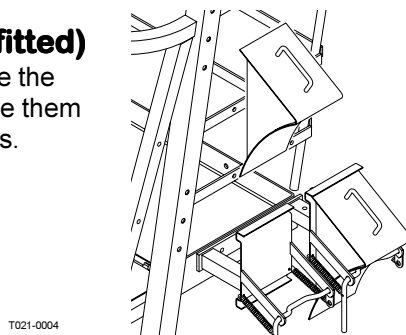
### Boom transport safety chain (if fitted)

Fit the safety chains as shown below before transport on public road.



### Stop wedges (if fitted)

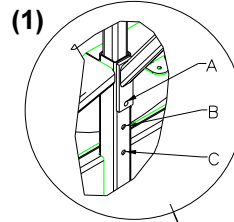
Before driving, remove the stop wedges and place them in the storage brackets.



## Transport brackets, height setting

The transport brackets can be set in different positions. Thereby it is possible to obtain different transport heights and suitable clearance above various tractor cabins.

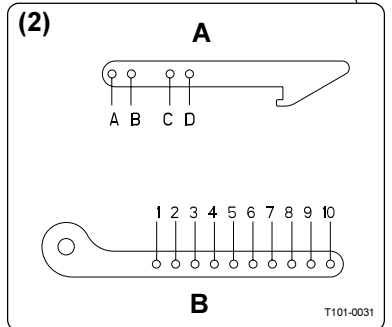
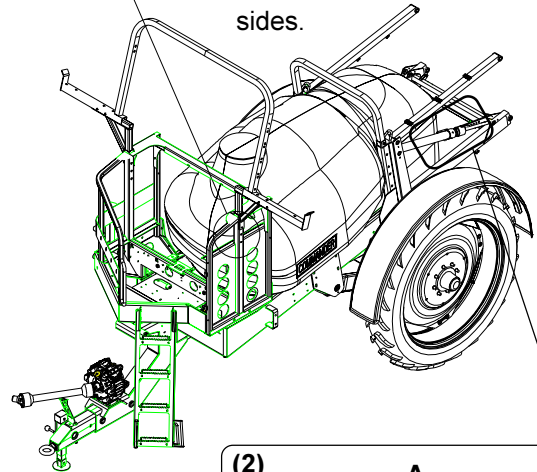
When changing the setting of the transport brackets it is done as a combination of adjusting the transport brackets themselves **(1)** and adjusting the transport locks **(2)**. Always choose a transport height as low as possible.



### 1. Transport brackets

The transport bracket can be set at three different positions A, B or C.

Loosen the bolt to change position and replace it according to new setting. The setting must be identical on both sides.



### 2. Transport lock

To change position:

1. Lift and unfold inner sections till lock is disengaged.
2. Loosen and remove the two bolts, which keep the parts **A** and **B** assembled.
3. Reassemble **A** and **B** according to desired hole combination.

**NOTE!** Always use both bolts to assemble the lock. The setting must be identical on both sides.

**NOTE!** The rear settings must correspond to the front settings so the boom is resting on the front as well as rear brackets.



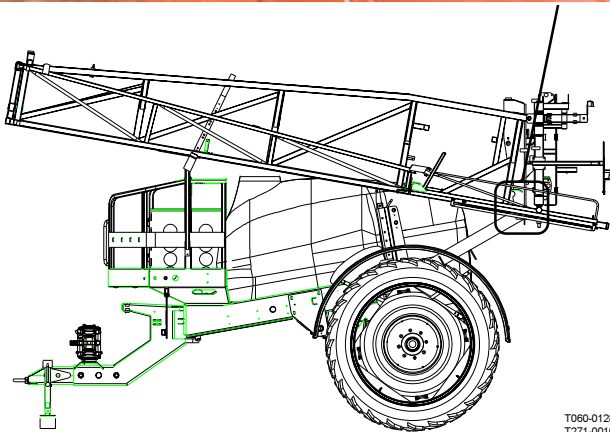
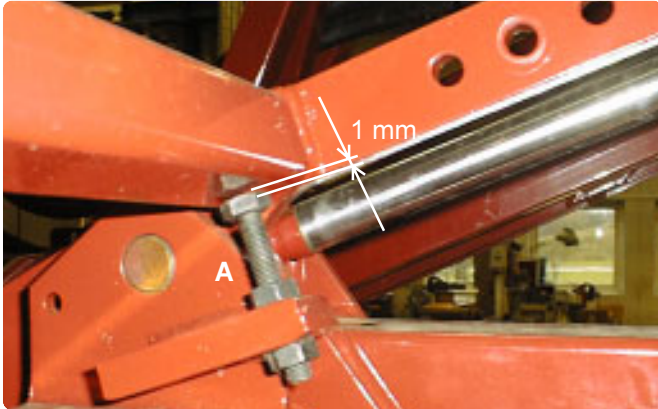
**WARNING!** The max. transport height must never exceed 4.0 m (13.1 ft.). Always measure the actual total height and choose settings not exceeding 4.0 m.

# Sprayer setup

## Transport lock

When the boom is unfolded: Inspect the gap between the bolt A and the frame. Correct position = 1 mm gap.

If necessary, adjust the position of bolt A.

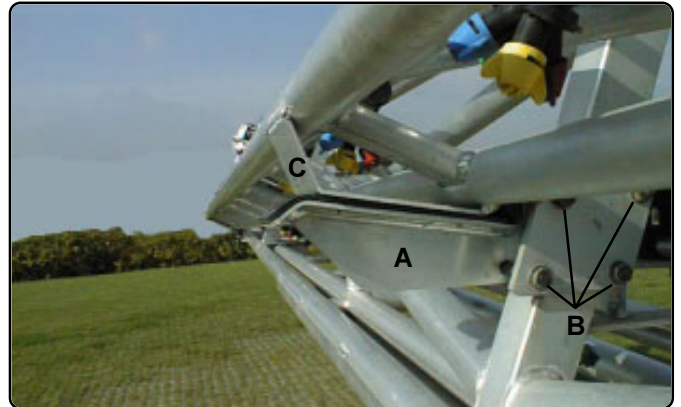


T060-0128  
T271-0010x

## Transport bracket - inner section

When the boom is half folded: Inspect and ensure that the outer section rests on the transport bracket A which is mounted to the inner section.

If necessary, loosen the four bolts B and adjust the position of the bracket A till no space occurs between A and the bracket C on the outer section.



T064-0096

# Sprayer setup

## Driving Technique

### STEER TRACK and SELF TRACK

A trailer with articulating drawbar (TRACKER) behaves differently than a normal trailer.

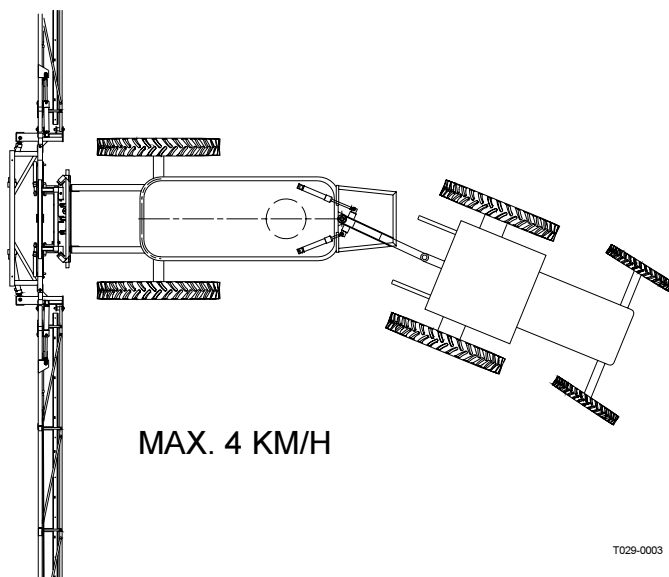
In tracking position the vehicle centre of gravity is displaced further more compared to the vehicle centre line of a normal trailer.

Compared to a conventional trailer a TRACKER has decreased stability when turning, especially when turning on hillsides.

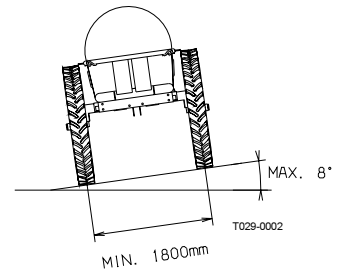
To avoid overbalancing, pay attention to these guidelines:

1. Avoid sudden, tight turns
2. Slow down before entering a curve or turning, and drive with a constant, low speed during the turn.
3. Never slow down too fast, never brake heavily and never stop suddenly in a curve, or when turning on a hillside, when the sprayer is articulated.
4. Be careful when turning on uneven ground
5. Set the track gauge as wide as possible
6. The proper function of the hydraulic damping is essential to obtain good stability
7. Keep stabiliser chains on the tractor's liftarms tight
8. For safety reasons, the following limitations are set for TRACKERS (with unfolded booms):

Speed by turning, max.	4 km/h (2.5 m.p.h.)
Ground inclination by turning, max.	8°
Track gauge, min.	Please see the part "Track gauge"



**NOTE!** HARDI cannot undertake any responsibility for any damages caused by the sprayer tipping over.



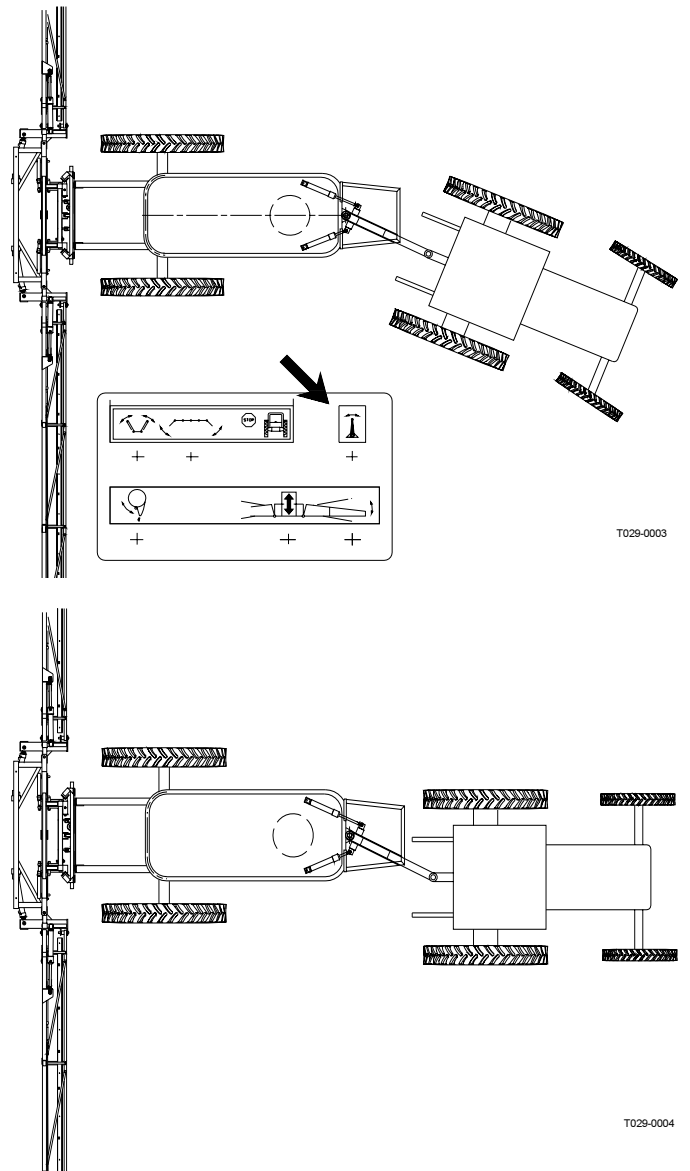
### STEER TRACK

(If the sprayer is equipped with HARDI NOVA, please see separate instruction book).

The articulating drawbar on STEER TRACK is to be operated manually via the D.A.H.

The switch on the D.A.H. control box is pushed side-wards to articulate the drawbar.

This is used when turning or as track correction when driving on slopes.





# Sprayer setup

---

## **SELF TRACK**

The SELF TRACK is always in tracking mode.

The SELF TRACK drawbar will always articulate when the tractor is turning and follow the tractor rear wheels.

The SELF TRACK drawbar is hydraulically damped to obtain stable trailing.



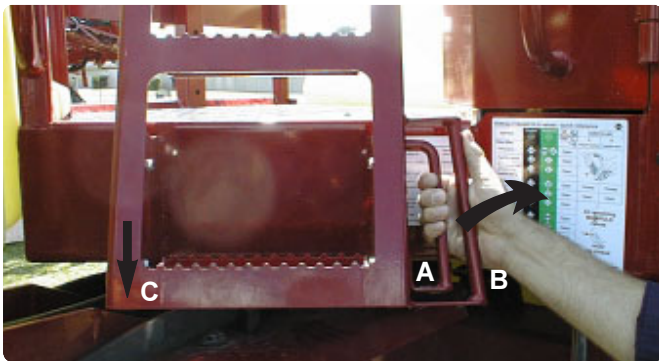
**WARNING!** Always drive the SELF TRACK very carefully on public roads, and be aware of the sprayer's behaviour. Slow down before turning, to avoid the vehicle from tipping over.

## **AUTO TRACK**

Please see separate instruction book.

# Sprayer setup

## Equipment - Standard and Additional Ladder



T060-0121

**Down:** Pull the handle **A** to disengage the locking device and drag down the ladder while supporting it by both handles (**B + C**)

**Up:** The ladder will lock automatically when it is fully retracted.

**NOTE!** Always retract the ladder before driving.

If necessary, grease the slide bars to make the ladder slide smoother.

## Platform

Access to the platform is possible via the ladder.

Hydraulic and electric components are situated underneath the platform floor. By lifting the platform floor, these components are accessible. Also the clean water tank is integrated in the platform.

The platform gives access to the clean water tank lid, the main tank lid, the top mounted suction filter and the self-cleaning filter, which is situated behind the wicket **A** on the backside of the MANIFOLD system.



T060-0114

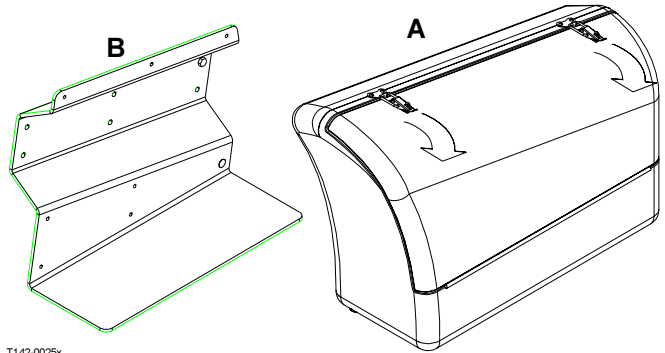
## Tank level indicator

The actual tank level in the main tank can be observed on the tank level indicator **B**. The scale is displayed in litres or Imp. gal/US gal. (certain countries).

## Large storage Locker (if fitted)

The locker **A** can be mounted on the sprayer's right side acting as a storage for sealed pesticide containers. The locker is fitted to a mounting **B**, which is bolted to the frame of the trailer.

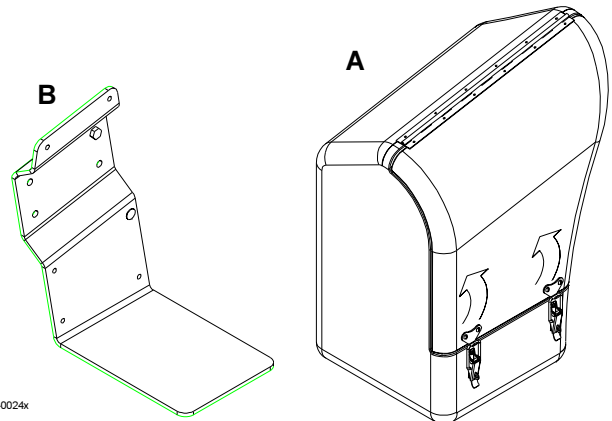
A drain in the bottom makes it possible to clean and drain the locker in case of leak by pesticide containers.



T142-0025x

## Small storage Locker (if fitted)

The locker **A** can be mounted next to the HARDI FILLER. It is for the purpose of storing pesticide containers in use, nozzles, calibration- and compound equipment. The locker is fitted to a mounting **B**, which is bolted to the frame of the trailer.



T142-0024x

A drain in the bottom makes it possible to clean and drain the locker in case of leak by pesticide containers.

## Front Locker (if fitted)

The locker is mounted to the front of the platform. It is for the purpose of storing non-contaminated protective gear, soap for hand washing etc.

The locker is split in two compartments for the separation of clean clothes from gloves with risk of contamination.

# Sprayer setup

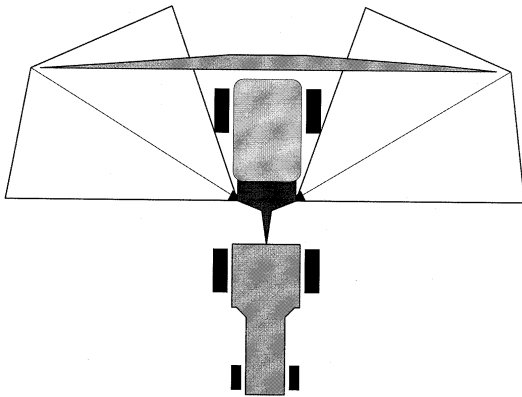


T060-0110

A soap dispenser can be fitted in a device on the inside of the locker door.

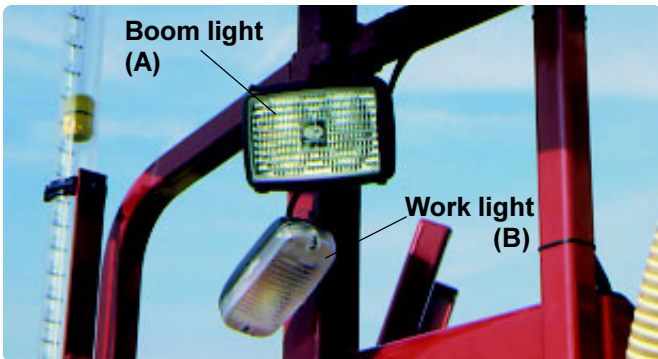
**IMPORTANT!** Although this locker is situated in the non-contaminated zone of the sprayer and is meant for storing nontoxic items, it must **never** be used for storing food, beverage or other things meant for consumption.

## Boom and Work lights (if fitted)



T271-0009

The 2 boom light lamps **A** are mounted to the railing of the platform (one at each side) and are positioned to lighten both boom wings.



T060-0111

The work light lamp **B** is also mounted to the railing of the platform above the MANIFOLD valves. This lamp is positioned to lighten the HARDI FILLER + the MANIFOLD system.

It is recommended to switch of the rear lights of the tractor in order to save power consumption and to avoid reflection.

Power supply is via the 7-pin socket. Please see the *Installation Instruction* in the part *Technical specifications*.

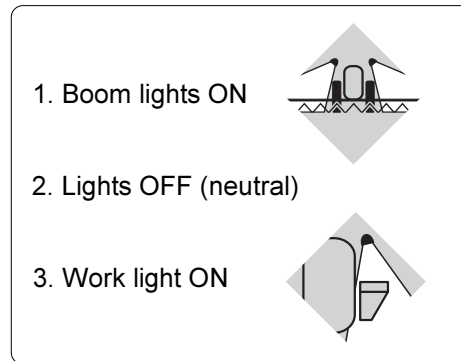
## Selector switch

When mounting the selector switch **A** it is simply "clicked" into the cutout in the frame below the MANIFOLD valves and is thereby fastened to the frame.



T060-0112

The switch has three positions:



T040-0000

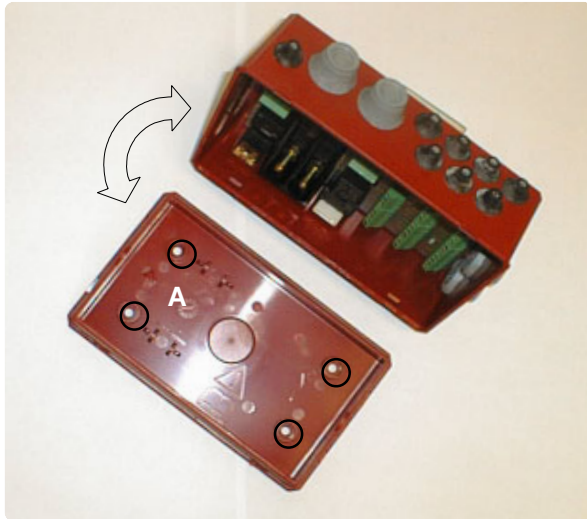
T040-0001

## Connection box

The connection box is to be mounted underneath the platform floor.

1. Lift the platform floor
2. Open the connection box and mount the flat part of the box (**A**) by 4 screw to the 4 predrilled holes in the platform floor.

# Sprayer setup



T060-0123

## Crop protection Kit (if fitted)

The kit consists of sheet, straw dividers and wheel brake covers.

### Sheet

The PVC sheet is fitted underneath the trailer and covers the undercarriage of the chassis



T060-0113

The sheet is lead through guiding rails fastened on both sides of the trailer.



T066-0073

Each cutout in the shield is then fastened with a matching locking device, which are mounted along the lower part of the sprayer.



Drag the split, twist it 90° and drop the split again to lock it

T066-0074

### Strawdividers

A strawdivider can be fitted on each trailer wheel.



T060-0125

### Wheel brake covers

A wheel brake cover **A** can be mounted in order to cover the brake



T060-0126

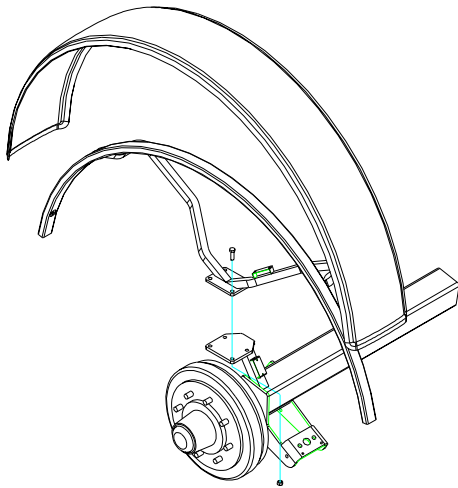
# Sprayer setup

## Mudguards (if fitted)



T060-0127

Mudguards can be fitted on the trailer wheels by means of a supporting frame which is bolted to a mounting on the wheel axle.



T162-0109x

Mudguards are available for all wheel configurations.

# Operation

## Operating instructions

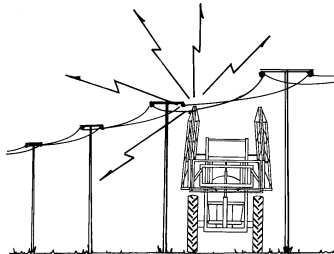
### Operating the boom



**WARNING!** Before unfolding the boom it is important to connect the sprayer to the tractor to prevent overbalancing of the sprayer.



**DANGER!** When folding and unfolding the boom, be sure that no persons or objects are in the operating area of the boom.

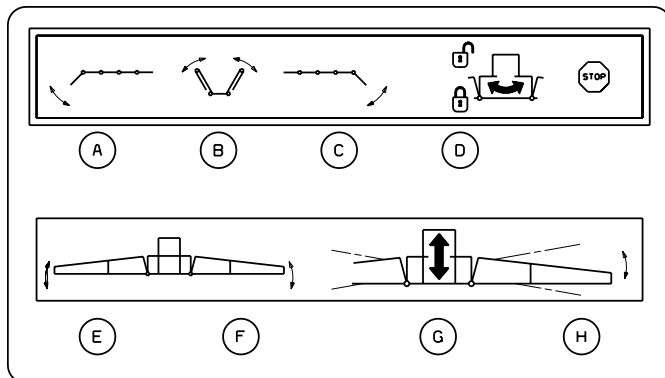


**DANGER!** Always follow the guidelines mentioned below when driving in areas with overhead power lines:

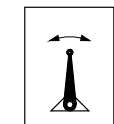
- Never use the folding functions in areas with overhead power lines.
- Unintended boom movements can cause contact with overhead power lines.

**NOTE!** A label (ref. no. 978448) follows the sprayer. This label must be placed in the cabin at a place visible from the operator's seat.

### Boom manoeuvring:



T032-0002  
T030-0004



I

- A. Unfolding/folding of the left outer section
- B. Unfolding/folding of the inner section
- C. Unfolding/folding of the right outer section
- D. Pendulum locking device
- E. Boom Tilt, left side (OLH only)
- F. Boom Tilt, right side (OLH only)
- G. Boom lift, up/down
- H. Slanting control, pendulum
- I. Drawbar mode (STEER TRACK only)

### Unfolding the boom

To unfold the boom, carry out following procedure:

1. Push boom lift switch **G** up-wards to lift the boom clear of the rear transport brackets.
- NOTE!** Ensure that the booms are clear from the transport brackets before unfolding is proceeded.
2. Lift the right and left boom parts by activating the boom tilt function, switch **E** and **F**
3. Push switch **B** to unfold the inner sections completely
4. Push switch **A** and **C** to unfold outer sections completely
5. Push switch **G** down-wards to lower the boom to approximately 50 cm above crop- or ground level.
6. Unlock the pendulum suspension by pushing switch **D** upwards.

**NOTE!** The upper functions (in the red rectangle with STOP sign) must only be operated when the sprayer is stationary. Failure to do so will damage the boom!

### Folding the boom

When folding the boom, carry out following procedure:

1. Raise boom lift **G** to upper position.
2. Check that trapeze slanting control is in levelled to middle position - if not correct by activating switch **H**.
3. Lock pendulum locking device by pushing switch **D** downwards.
4. Fold outer sections, **A** and **C**.
5. Lift up right and left hand side boom by activating right and left boom tilt, **E** and **F**.
6. Fold inner sections by activating switch **B**.
7. Lower boom lift, **G**, until boom rests on rear transport brackets.
8. Lower right and left boom side until they touches the front transport brackets, by activating boom tilt **E** and **F**.

# Operation

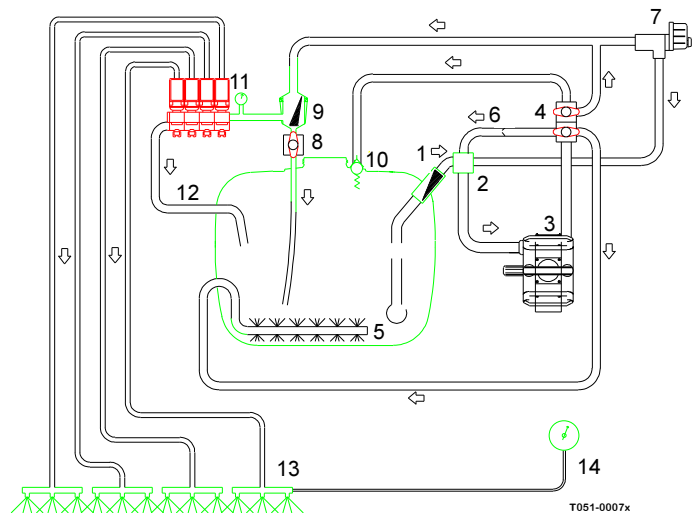
## Operating the liquid system MANIFOLD SYSTEM

The MANIFOLD SYSTEM is located at the left side of the sprayer and permits operation of the liquid system from one position. The sprayer can be equipped with either a conventional liquid system or a High Capacity Fluid system. The operation of the liquid system is identical for both systems.

The modular MANIFOLD system facilitates the addition of up to two optional extras - equal to four functions - on the pressure side and one extra - equal to two functions - on the suction side.

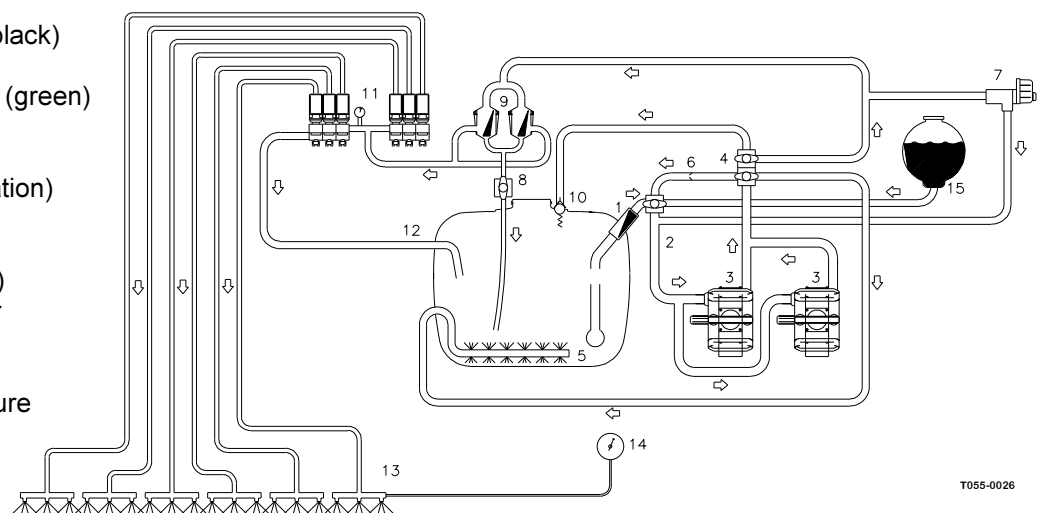
### Function diagram - conventional liquid system

1. Suction filter
2. Suction manifold (black)
3. Double pump
4. Pressure manifold (green)
5. Agitation
6. Without agitation (pressure equalisation)
7. HARDI MATIC
8. Return line (Self-cleaning filter)
9. Self-Cleaning Filter
10. Safety valve
11. Distribution valves
12. Return from Pressure Equalisation
13. Sprayer boom
14. Pressure gauge
15. Rinsing tank



### Function diagram - High Capacity Fluid System (HCFS)

1. Suction filter
2. Suction manifold (black)
3. Pump
4. Pressure manifold (green)
5. Agitation
6. Without agitation (pressure equalisation)
7. HARDI MATIC
8. Return line (Self-cleaning filter)
9. Self-Cleaning Filter
10. Safety valve
11. Distribution valves
12. Return from Pressure Equalisation
13. Sprayer boom
14. Pressure gauge
15. Rinsing tank

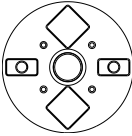


The High Capacity Liquid System is available for booms with a minimum size of 28 m working width. The HCFS is provided with a double pump (two 463 pumps joined with a clutch). The pumps have parallel outlet and feeding. The HCFS is also provided with two self-cleaning filters, operated simultaneously via the yellow disc on the MANIFOLD system. The EVC operating unit is split into two units. Tubes are made of stainless steel.

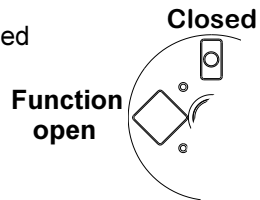
# Operation

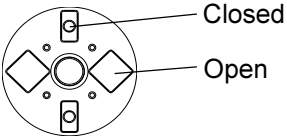
## Use of MANIFOLD valve system

The following pictograms and colours are used for visualizing the functions of the MANIFOLD valves:




Green disc = Pressure valve	
Black disc = Suction valve	
Yellow disc = Self-cleaning filter	

A function is activated/opened by turning the handle towards the desired function


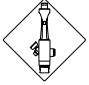


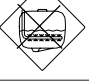
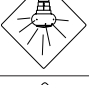
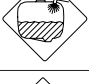



Yellow disc (self-cleaning filter)	
The disc has two positions; open or closed	

027

Pictograms - Black disc (suction)	
Suction from main tank	
Rinsing tank	
Filling device	




025

Pictograms - Green disc (pressure)	
Self-cleaning filter / Operating unit	
Fast filling device	
HARDI FILLER	
Agitation *	
Without agitation	
Tank flushing nozzle	
To main tank	
Spray gun	

026

### \*Agitation

Normally, Agitation should be on but please refer to the following rules of thumb:

1. Choose "Without Agitation" if a high level of effervescence occurs in order to reduce the amount of foam. 
2. Choose "Agitation" when using powder chemicals in order to avoid sedimentation. 
3. Close the valve if spraying with a high volume and it is impossible to achieve sufficient pressure. 

The valves and functions may vary from machine to machine depending on optional equipment fitted. Only the functions in use must be open - always close remaining valves.



# Operation

## To operate the spraying functions:

- Turn the handle on a green pressure valve towards the function desired
- Turn the handle on a black suction valve towards the desired function
- Close all remaining valves by setting the handle(s) on "O"

**NOTE!** If a MANIFOLD valve is too tight to operate - or if it is too loose (= liquid leakage), the 3-way-valve needs to be serviced. Please see the part "Occasional maintenance - Adjustment of 3-way-valve" for further information. Correct setting is when the valve can be operated smoothly by one hand

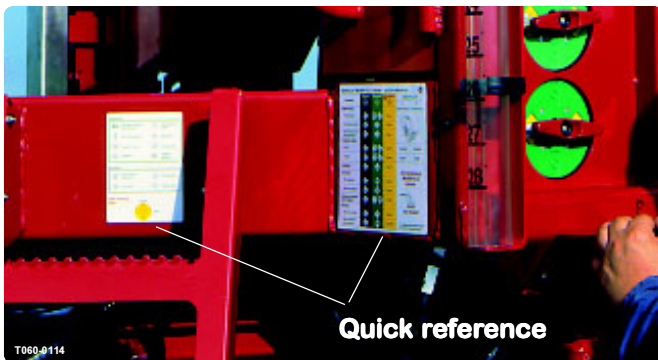
### Electric operated MANIFOLD valves (if fitted)

One or more MANIFOLD valve(s) can be electrically operated via a control box in the tractor cab. These can only be operated manually when the power to the valve motor is disconnected first.

### Quick reference

A Quick Reference sticker is accompanying this book.

It is meant to be fastened to the frame near to the MANIFOLD SYSTEM for easy "in field" operation of the valves.



## Filling of water

Water can be filled into the main tank in five ways:

1. Filled through tank lid.
2. Filled by diaphragm pump through a suction side fitted filling device (optional extra) using normal pump capacity directly to the tank.
3. Filled by diaphragm pump through a pressure side fitted injector/venturi type Fast Filling Device (optional extra) providing up to 3 times normal pump capacity.
4. Combination of 2 and 3.
5. Quick coupler for external filling

The tank should normally be filled 1/3 with water, before adding the chemicals - always read instruction on chemical container!

**NOTE!** Max. permitted tank contents:

Model	Volume, water			Volume, liquid fertilisers*		
	Litre	Imp. gal	US gal	Litre	Imp. gal	US gal
2200 l	2200	484	580.8	2154	473.8	568.6
2800 l	2800	616	739.2	2154	473.8	568.6
3200 l	3200	704	844.8	3200	704	844.8

\* Based on liquid fertilisers with specific gravity 1.3

\* On the assumption that the tyres can support the current load.

**IMPORTANT!** If the sprayer is put aside with liquid in the main tank all MANIFOLD valves must be closed.

### 1. Filling through tank lid

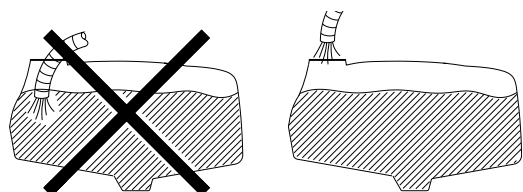
Remove tank lid and fill water through strainer to prevent rust or other particles to enter the tank.

An overhead tank can be used in order to obtain high filling capacity.

It is recommended to use as clean water as possible for spraying purposes.



**WARNING! DO NOT LET FILLING HOSE ETC. ENTER THE TANK. KEEP IT OUTSIDE THE TANK, POINTING TOWARDS THE FILLING HOLE.**



T021-0012

**IF THE HOSE IS LEAD TO THE BOTTOM OF THE TANK, AND THE WATER PUMP AT THE WATER SUPPLY PLANT STOPS, CHEMICALS CAN BE SIPHONED BACK AND CONTAMINATE THE WATER SUPPLY LINES.**

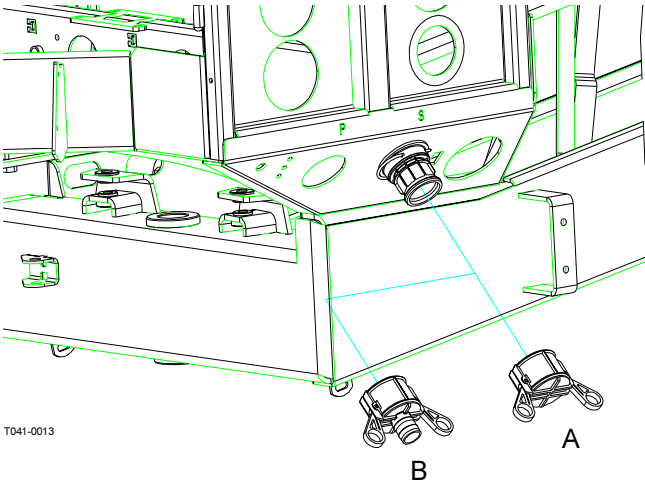
# Operation

## 2. Suction Filling Device (if fitted)



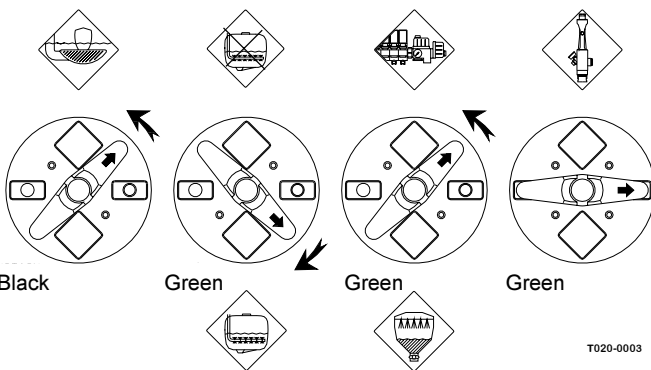
**WARNING! Avoid contamination or personal injury. Do not open suction valve towards Suction Filling Device unless pump is running and filling hose is connected. If this valve is opened without pump running, liquid will stream out of the MANIFOLD.**

The Suction Filling Device is operated as follows:



T041-0013

1. Remove cover **A**, and connect suction hose **B** to Suction Manifold.
2. Engage diaphragm pump and set P.T.O. revolutions at 540 r/min or 1000 r/min (depending on pump model)
3. Turn handle on Suction Manifold towards Filling Device.



T020-0003

4. The tank is now filled with water. Keep an eye on the liquid level indicator.
5. Turn handle on Suction Manifold away from Filling Device to discontinue filling process. Then disengage pump.
6. Disconnect suction tube **B** and replace cover.

**NOTE!** Observe local legislation regarding use of Filling Device. In some areas it is prohibited to fill from open water reservoirs (lakes, rivers etc.). It is recommended

only to fill from closed reservoirs (mobile water tanks etc.) to avoid contamination.

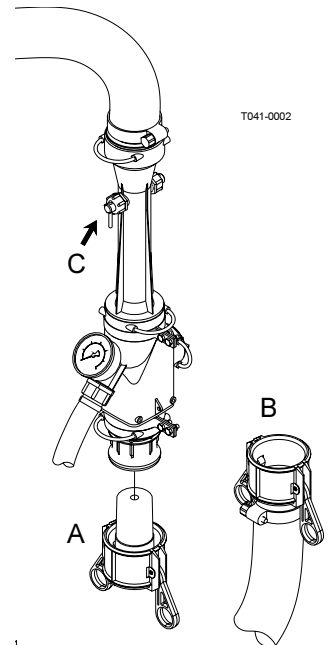


**WARNING!** If suction hose/filter is carried on the sprayer during spraying, it can be contaminated by spray drift which will be transferred to lake/river when filling!

## 3. Fast Filling Device (if fitted)

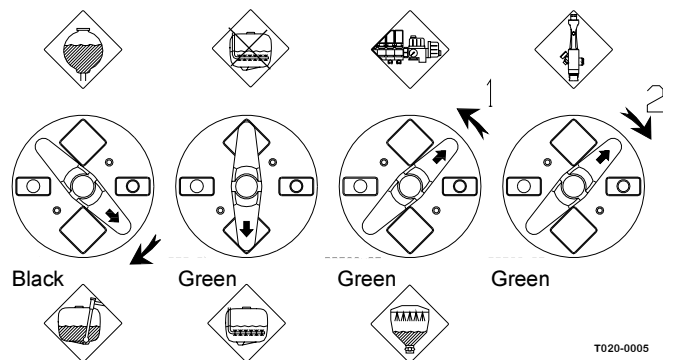
The Fast Filling Device is operated as follows:

1. Ensure spray liquid tank contains at least 50 litres of water.
2. Remove cover (**A**) and connect suction hose (**B**).
3. Turn handle on Pressure Manifold towards Fast Filler. With the P.T.O. at 540 r/min or 1000 r/min (depending on pump model), the pressure gauge should indicate about 10 bar.
4. If water is not seen in the transfer tube, prime by turning valve (**C**).
5. Keep an eye on the liquid level indicator.
6. Turn handle on Pressure Manifold away from Fast Filler to discontinue filling process.



T041-0002

**NOTE:** Turn handle towards -operating unit **before** turning away from Fast Filler in order to avoid peak pressure blowing the safety valve!



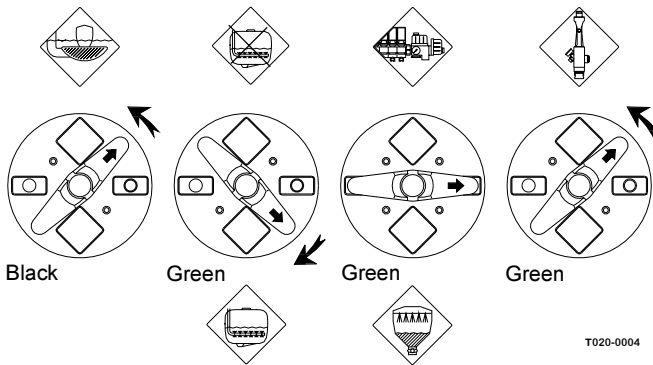
T020-0005

7. Disconnect suction tube (**B**) and replace cover.

# Operation

## 4. Filling device and Fast filling device used simultaneously

The Filling Device and the Fast Filling Device can be used simultaneously - this gives even bigger filling capacity.



T020-0004



**WARNING:** Do not leave the sprayer whilst refilling the tank, and keep an eye on the level gauge in order **NOT** to overfill the tank!

**NOTE!** Observe local legislation regarding use of Filling Device. In some areas it is prohibited to fill from open water reservoirs (lakes, rivers etc.). It is recommended only to fill from closed reservoirs (mobile water tanks etc.) to avoid contamination.



**WARNING!** If suction hose/filter is carried on the sprayer during spraying, it can be contaminated by spray drift, which will be transferred to lake/river when filling!

## 5. Quick coupler for external filling



T060-0112

The quick coupler is operated as follows

1. Fit the external water hose to the quick coupler on the trailer.
2. Close self-cleaning filter.
3. Turn handle on Pressure Manifold towards Main tank.
4. Turn handle on Suction Manifold towards Filling device.

5. Depending on the chemical in question, the Pressure Manifold can be set on "Agitation". If no agitation is needed, this valve must be closed.
6. Engage the P.T.O. and start the pump.



**WARNING:** Do not leave the sprayer whilst refilling the tank, and keep an eye on the level gauge in order **NOT** to overfill the tank!

## Filling of rinsing tank (if fitted)

The rinsing tank is situated under the main tank. Only fill this tank with clean water.

The rinsing tank is filled through the inlet, situated beneath the Suction Manifold valves. Water can be filled directly through the inlet - or through a socket piece **A** (optional equipment) connected to a water hose.



T060-0115

## Rinsing tank capacity

Model	Litre	Imp. Gal.	US Gal.
2200/2800	260	57	70
3200/4200	460	101	120

028

A water level indicator (limpid hose with floating ball) is situated beneath the platform.



T060-0116

# Operation

## Filling of clean water tank

The clean water tank is integrated in the platform and has a capacity of 30 l. Access to the tank lid is possible from the platform. Only fill this tank with clean water from the well.



T060-0117

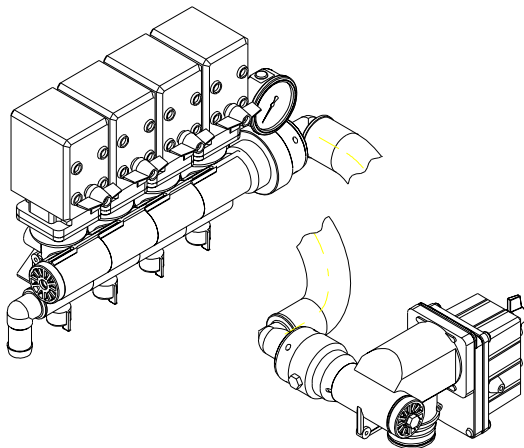
The water from this tank is for hand washing, cleaning of clogged nozzles etc. The tap is centrally situated in near reach from the MANIFOLD valves and is opened/closed by a handle.



**WARNING!** Although the clean water tank is only filled with clean, it must never be used for drinking.

## Adjustment of EVC operating unit

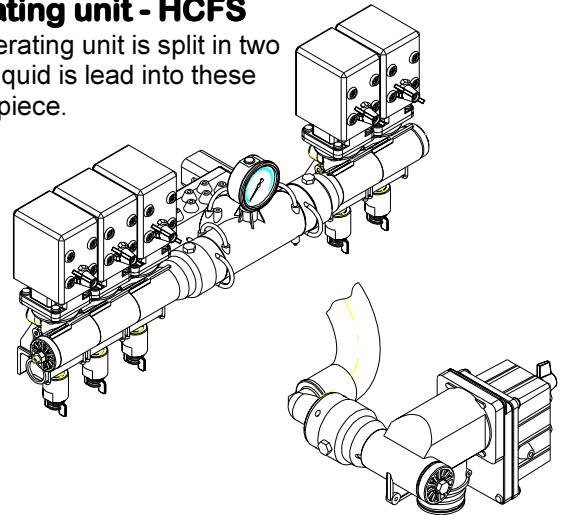
### Operating unit - conventional liquid system



T020-0034

### Operating unit - HCFS

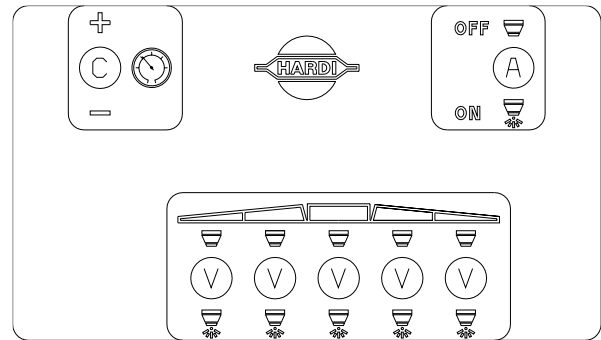
The operating unit is split in two units. Liquid is lead into these via a T-piece.



T020-0035

T020-0034

Both the conventional liquid system and the HCFS is operated by the EVC control box.



T020-0018

**Before spraying, the EVC operating unit is adjusted using clean water (without chemicals).**

1. Choose the correct nozzle for the spray job by turning the TRIPLET nozzle bodies. Make sure that all nozzles are the same type and capacity. See the "Spray Technique" book.
2. On-off switch **A** is activated against green.
3. All distribution valve switches **V** are activated against green.
4. Pressure regulation switch **C** is activated until emergency handle stops rotating (minimum pressure).
5. Put the tractor in neutral and adjust the P.T.O. and thereby the number of revolutions of the pump corresponding to the intended travelling speed. Remember the number of revolutions on the P.T.O. must be kept between 300-600 rpm (pump 540 r/min) or 650-1100 rpm (pump 1000 r/min).
6. Pressure regulation switch **C** is activated until the required pressure is shown on the pressure gauge.

### Adjustment of pressure equalisation

1. Close the first distribution valve switch **V**.
2. Turn the adjusting screw(s) until the pressure gauge again shows the same pressure.
3. Adjust the other sections of the distribution valve in the same way.

# Operation

**NOTE!** HEREAFTER ADJUSTMENT OF PRESSURE EQUALISATION WILL ONLY BE NEEDED WHEN:

1. YOU CHANGE TO NOZZLES WITH OTHER CAPACITIES
2. THE NOZZLE OUTPUT INCREASES AS THE NOZZLES WEAR

## Operating the control unit while spraying

In order to close the entire boom, switch ON/OFF **A** to off position. This returns the pump output to the tank through the return system.

The diaphragm Non-drip valves ensure instantaneous closing of all nozzles.

In order to close one or more sections of the boom, switch the relevant distribution valve **V** to off position. The pressure equalisation ensures that the pressure does not rise in the sections which are to remain open.

When the sprayer is put aside, the control box and the multi plug must be protected against moisture and dirt. A plastic bag may be used to protect the multi plug.

## Remote pressure gauge (if fitted)

The remote pressure gauge is integrated in the front locker. This gauge measures the working pressure in the boom tubes as close to the nozzles as possible. This pressure reading will always be slightly lower than the reading at the operating unit pressure gauge.

The outputs stated in the nozzle charts are always based on the pressure measured at the nozzle.

Always adjust pressure when calibrating and spraying according to readings at the Remote pressure gauge.



T060-0118

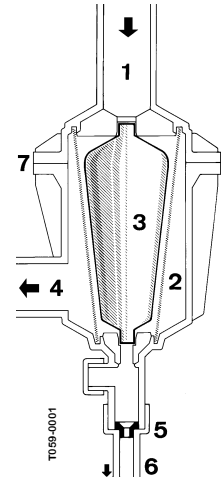
## Filters

All filters should always be used and their function checked regularly. The mesh size of the filter in use should always be smaller than the flow average of the nozzles used. Therefore, pay attention to the correct combination of filters, mesh size.

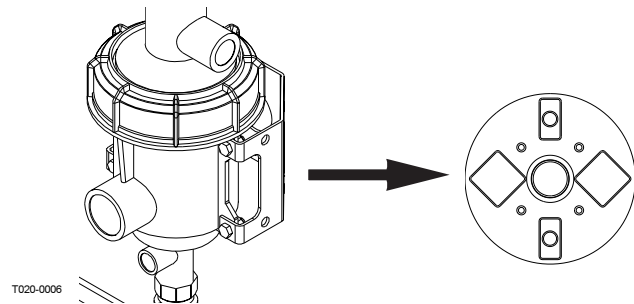
## Self-cleaning filter

Operating diagram

1. From pump
2. Double filter screen
3. Guide cone
4. To operating unit
5. Replaceable restrictor
6. Return to tank
7. Screw-joint



The self-cleaning filter(s) is operated via the yellow MANIFOLD valve.



T020-0006

**IMPORTANT!** The yellow MANIFOLD valve should normally be open, but must be closed in the following cases:

1. If rinsing with water from the rinsing tank and a quantity of spray liquid still remains in the main tank (otherwise the spray liquid will be diluted).
2. If opening the self-cleaning filter(s) and a quantity of spray liquid still remains in the main tank (otherwise there is a risk that spray liquid will flow out).

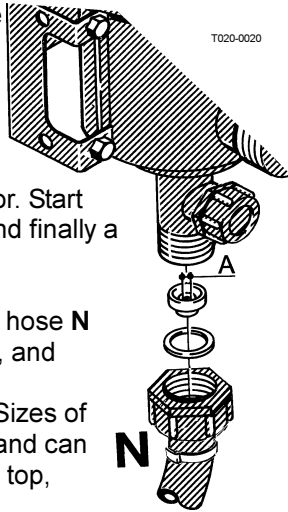
## Choice of correct restrictor

It is important to have a large flow through the filter. This is achieved by choosing the restrictor size in relation to the liquid consumption of the spray boom.

4 restrictors are supplied. Use the green one (largest orifice) first.

# Operation

The hose **N** is demounted at the self-cleaning filter, the restrictor is put in the hose and the hose is mounted again. If the required working pressure cannot be obtained, the restrictor is too large. Choose a smaller restrictor. Start with a black one, then a white and finally a red one.



When cleaning the filter remove hose **N** and the hose at the safety valve, and check there are no residue. Standard filter size is 80 mesh. Sizes of 50 and 100 mesh are available and can be changed by opening the filter top, and replace the strainer.

Check the O-rings before reassembling the filter and replace if damaged.

## Filling of chemicals

Chemicals can be filled in the tank in two ways:

1. Through tank lid.
2. By means of HARDI FILLER chemical filling device.

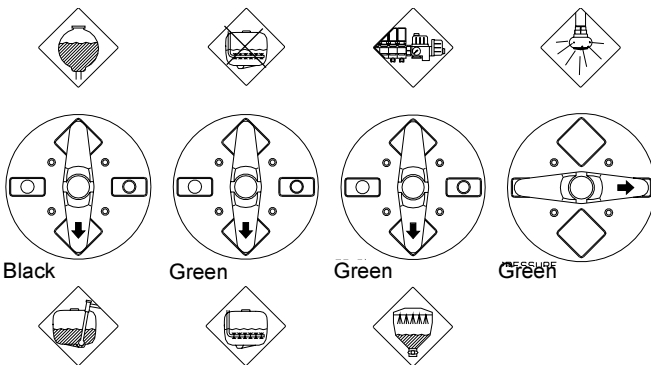
### 1. Filling through tank lid

The chemicals are filled through the tank lid - Note instructions on the chemical container!



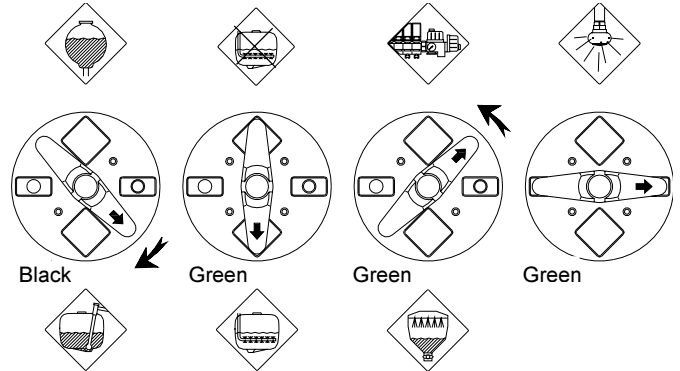
**WARNING!** Be careful not to slip or splash chemicals when carrying chemicals up to the tank lid!

1. Make sure the EVC is switched off.
2. Set the MANIFOLD valves to correct position. Black valve "Suction from main tank", green valve towards "Agitation"



3. Engage the pump and set P.T.O. revolutions to 540 r/min or 1000 r/min (depending on pump model).

4. Add the chemicals through the main tank hole.
5. When the spray liquid is well mixed, turn handle on the Pressure Manifold towards "Spraying" position. Keep P.T.O. engaged so the spray liquid is continuously agitated until it has been sprayed on the crop.



### 2. Filling by HARDI FILLER chemical inductor

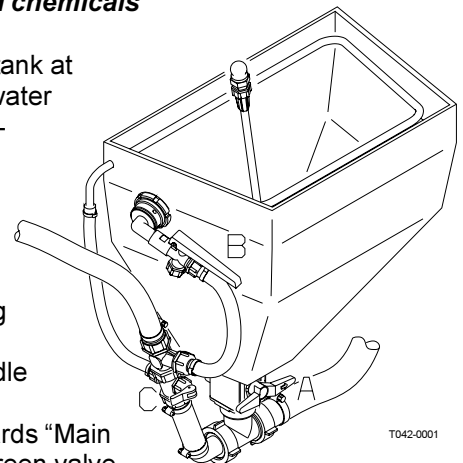
To get access to the HARDI FILLER, grab the handle and drag the HARDI FILLER the whole way down. Due to the spring loaded suspension, it will stay in this position. After use, it is pushed the whole way up again.



T060-0119

### Filling of Liquid chemicals

1. Fill the main tank at least  $\frac{1}{3}$  with water (unless something else is stated on the chemical container label). See section "Filling of water".
2. Turn the handle at the Suction Manifold towards "Main tank". Turn green valve

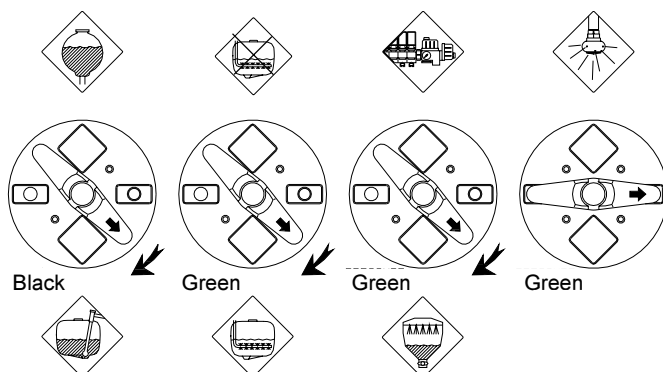


T042-0001

# Operation

towards "HARDI FILLER" and the other green valve towards agitation. Close remaining valves.

3. Check that bottom valve **A** at the FILLER is closed.



4. Engage the pump and set P.T.O. speed at 540 r/min or 1000 r/min (depending on pump model).
5. Open FILLER lid.
6. Measure the correct quantity of chemical and fill it into the hopper.

**NOTE!** The scale in the hopper can only be used if the sprayer is parked at level ground! It is recommended to use a measuring jug for best accuracy.

7. Open the bottom valve **A** and the chemical is transferred to the main tank.
8. If the chemical container is empty it can be rinsed by the container rinsing device (if fitted). Place the container over the multi-hole nozzle and press the lever **B**.



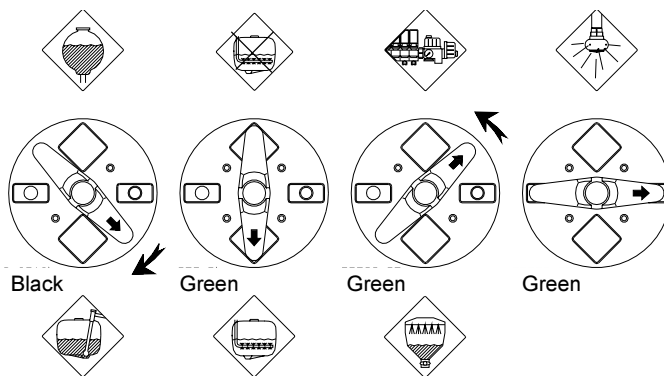
**WARNING!** Do not press lever **B** unless the multi-hole nozzle is covered by a container to avoid spray liquid hitting the operator.

**IMPORTANT!** Rinsing device uses spray liquid to rinse containers for concentrated chemicals. Always rinse the chemical containers with clean water several times until they are clean before disposal.

9. Engage the hopper rinsing device by opening valve **C**.
10. Close valve **C** again when the hopper is rinsed.

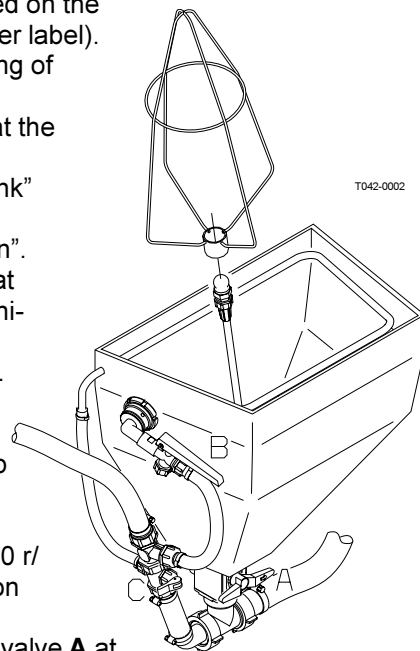
**IMPORTANT!** The hopper rinsing device is using spray liquid for rinsing the hopper for concentrated chemical! The FILLER must always be cleaned together with the rest of the sprayer when the spray job is done.

11. Close valve **A** and the FILLER lid again.
12. When the spray liquid is well mixed, turn handle on the Pressure Manifold towards "Spraying" position. Keep P.T.O. engaged so the spray liquid is continuously agitated until it has been sprayed on the crop.



## Filling of Powder chemicals

1. Fill the main tank at least  $\frac{1}{2}$  with water (unless something else is stated on the chemical container label). See section "Filling of water".
2. Turn the handle at the Suction Manifold towards "Main tank" and green valve towards "Agitation". Turn the handle at the Pressure Manifold towards "HARDI FILLER". Close remaining valves.
3. Engage the pump and increase P.T.O. speed to 540 r/min or 1000 r/min (depending on pump model).
4. Open the bottom valve **A** at the FILLER. Open FILLER lid.
5. Engage the hopper rinsing device by opening valve **C**.
6. Measure the correct quantity of chemical and sprinkle it into the hopper as fast as the rinsing device can flush it down.
7. If the chemical container is empty it can be rinsed by the container rinsing device (if fitted). Fit the bag bracket and place the powder bag over the multi-hole nozzle and press the lever **B**.



**WARNING!** Do not press lever **B** unless the multi-hole nozzle is covered by a container to avoid spray liquid hitting the operator.

**IMPORTANT!** Rinsing device uses spray liquid to rinse containers for concentrated chemicals. Always rinse the chemical containers with clean water several times until they are clean before disposal.

9. Close valve **C** again when the hopper is rinsed.

# Operation

**IMPORTANT!** The hopper rinsing device is using spray liquid to rinse the hopper for concentrated chemical. The FILLER must always be cleaned together with the rest of the sprayer when the spray job is done.

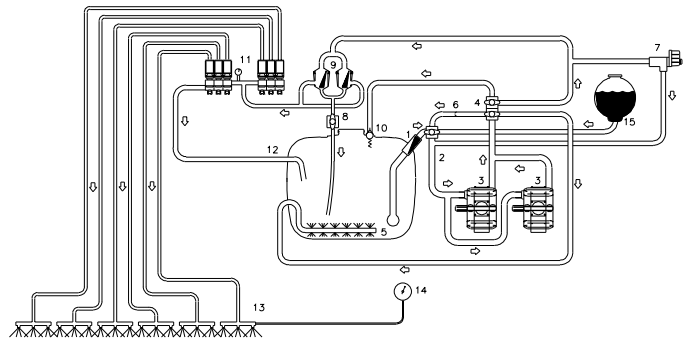
10. Close valve **A** and the FILLER lid again.

11. When the spray liquid is well mixed, turn handle on the Pressure Manifold towards "Spraying" position. Keep P.T.O. engaged so the spray liquid is continuously agitated until it has been sprayed on the crop.

## Use of rinsing tank and rinsing nozzles (if fitted)

The incorporated rinsing tank can be used for two different purposes.

**A.** In-field diluting of remaining spray liquid residue in the spraying circuit for spraying the liquid in the field, before cleaning the sprayer.



1. Empty the sprayer as much as possible. Turn the green pressure valve towards "No Agitation" and spray till air comes out of all nozzles.



2. Remove the tank filter basket.

3. Turn black suction valve towards "Rinsing tank".



4. Turn green pressure valves towards "Rinsing nozzle" (if fitted).



5. Engage and set the pump at approx. 300 r.p.m.

6. When rinsing water corresponding to approx. 10 times the spray liquid residue (see paragraph "Technical Residue") is used, turn black suction valve towards "Suction from main tank" and operate all valves, so all hoses and components are rinsed.



7. Turn green pressure valve back to "Operating unit" and spray liquid in the field you have just sprayed.



8. Repeat point 3-7 until the rinsing tank is empty.

**B.** Rinsing the pump, operating unit, spray lines, etc. in case of stop in spraying before main tank is empty (e.g. beginning rain etc.).

1. Close Self-cleaning filter (yellow valve).



2. Turn black suction valve towards "Rinsing tank".

3. Turn green pressure valve towards "No Agitation".



4. Engage the pump and spray water from rinsing tank in the field until all nozzle tubes/nozzles are flushed with clean water.

5. Disengage pump again.

6. Open Self-cleaning filter again.



# Operation



**WARNING!** The rinsing nozzles cannot always guarantee a 100% cleaning of the tank. Always clean manually with a brush afterwards, especially if crops sensitive to the chemical just sprayed are going to be sprayed afterwards!

## Technical Residue

Inevitably a quantity of spray liquid will remain in the system. It cannot be sprayed properly on the crop, as the pump takes in air when the tank is about to be empty.

This Technical Residue is defined as the remaining liquid qty. in the system as the first clear pressure drop on the pressure gauge is read.

Residue, litre				
	2200/2800	3200/4200	2200/2800	3200/4200
Dilutable residue <sup>1</sup>	-	-	-	-
Total residue <sup>2</sup>	-	-	-	-

024

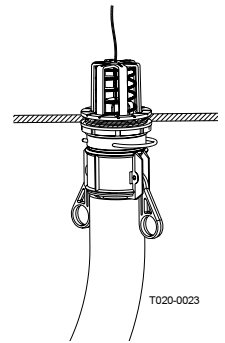
1) Residue in main tank, possible to dilute with water from rinsing tank

2) Total residue in tank and spraying circuit on standard sprayer. Variations due to different ground inclinations etc.

The dilutable residue must be diluted 10 times with clean water and sprayed to the crop just sprayed before cleaning the sprayer - See paragraph "Cleaning".

## Draining a residue Using the drain valve

If draining a residue, e.g. liquid fertilisers into a reservoir, a snap coupler with hose can rapidly be connected to the drain valve, and the liquid can be let safely out.



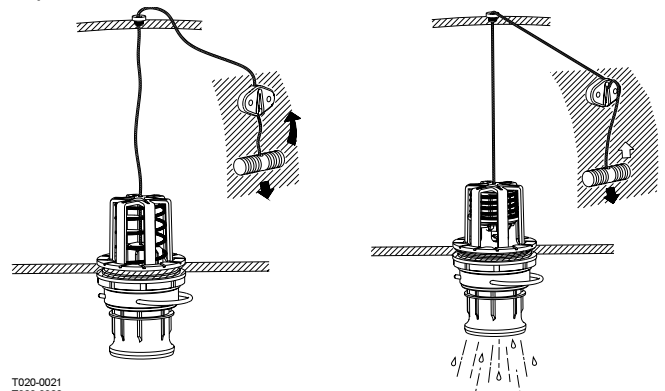
## Using the suction quick coupler

1. Connect the hose to the suction quick coupler on the trailer (pressure).
2. Turn the green valve towards "External tank".
3. Turn the black valve towards "Suction from main tank" and close Self-cleaning filter (yellow valve).
4. Engage the P.T.O to start the pump.



## Operation of the drain valves Main tank

Pull the string at left hand side of the tank to open the drain valve. The valve is spring-loaded but can be kept open by pulling the string out and upwards in the V-shaped slit.



To release and close the drain valve again pull the string downwards and the valve will close automatically.

# Operation

## Rinsing tank

To avoid algae developing in the rinsing tank always drain the rinsing tank when the sprayer is not in use for a long period.

## Spray Technique - see separate book

## Safety precautions



**Always be careful when working with crop protection chemicals!**

## Personal protection

Dependant on which type of chemical used, the following protective clothing/equipment should be used:

- Gloves
- Waterproof boots
- Headgear
- Respirator
- Safety goggles
- Chemical resistant overall

This equipment should be worn to avoid contact with the chemicals.



Protective clothing/equipment should be used when preparing the spray liquid, during the spraying work and when cleaning the sprayer. Also follow the recommendations on the chemical label.



It is always advisable to have clean water available, especially when filling the sprayer with the chemical.



Always clean the sprayer carefully and immediately after use.



Do not mix different chemicals in the tank.



Always clean the sprayer before changing to another chemical.

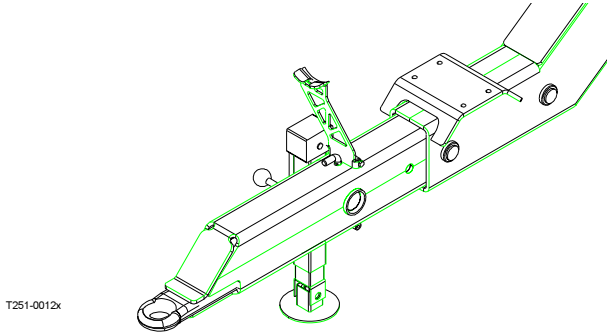
# Sprayer setup

## Disconnecting the sprayer

Always clean the sprayer - inside and outside - before disconnecting and parking it.

### Support leg

Before disconnecting from the tractor, make sure the support leg is properly fitted and secured by lynch pin.



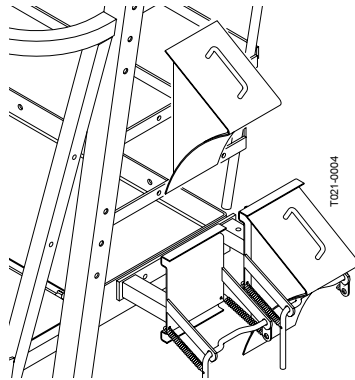
The support leg is stored in the bracket on the right side of the trailer when the sprayer is attached to the tractor. To remove the support leg: Lift the leg, remove the lynch pin and pull out the support leg.



**WARNING!** To prevent the sprayer from tipping over, do not disconnect the sprayer from the tractor with the booms unfolded unless the boom is supported!

Always engage the parking brake (if fitted).

If no parking brake is fitted, or if local regulations requires so, place stop wedges in front of and behind the wheels.



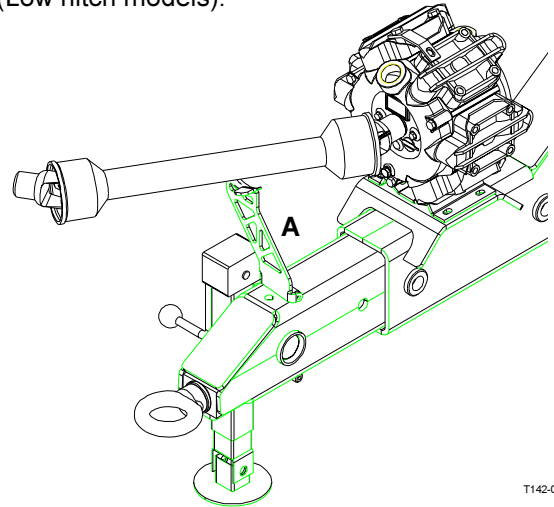
Remember to disconnect all hoses and cables from the tractor.



**WARNING!** If the sprayer is parked unattended avoid unauthorised persons, children and animals from having access to the sprayer.

## Transmission shaft support

The transmission shaft rests on the bracket **A** when not in use (Low hitch models).



At High hitch models the transmission shaft is placed in the hook underneath the drawbar when not in use

# Maintenance

## Maintenance - rules of thumb

In order to derive full benefit from the sprayer for many years the following service and maintenance program should be followed.

**IMPORTANT!** Always read the individual paragraphs. Read instructions for service/maintenance jobs carefully before starting on the job. If any portion remains unclear or requires facilities which are not available, then for safety reasons please leave the job to your HARDI dealer's workshop.

## Cleaning the sprayer

### Guidelines

1. Read the whole chemical label. Take note of any particular instructions regarding recommended protective clothing, deactivating agents, etc. Read the detergent and deactivating agent labels. If cleaning procedures are given, follow them closely.
2. Be familiar with local legislation regarding disposal of pesticides washings, mandatory decontamination methods, etc. Contact the appropriate department, e.g. Dept. of Agriculture.
3. Pesticide washings can usually be sprayed out on a soakaway. This is an area of ground that is not used for cropping. You must avoid seepage or runoff of residue into streams, water courses, ditches, wells, springs, etc. The washings from the cleaning area must not enter sewers. Drainage must lead to an approved soakaway.
4. Cleaning starts with the calibration, as a well calibrated sprayer will ensure the minimal amount of remaining spray liquid.
5. It is good practice to clean the sprayer immediately after use and thereby rendering the sprayer safe and ready for the next pesticide application. This also prolongs the life of the components.
6. It is sometimes necessary to leave spray liquid in the tank for short periods, e.g. overnight, or until the weather becomes suitable for spraying again. Unauthorised persons and animals must not have access to the sprayer under these circumstances.
7. If the product applied is corrosive, it is recommended to coat all metal parts of the sprayer before and after use with a suitable rust inhibitor.

### Remember:

**Clean sprayers are safe sprayers.  
Clean sprayers are ready for action.  
Clean sprayers cannot be damaged by pesticides and their solvents.**

## Cleaning the tank

1. Dilute remaining spray liquid in the tank with at least 10 parts of water and spray the liquid out in the field you have just sprayed - See paragraph "Use of rinsing tank and rinsing nozzles".

**NOTE:** It is advisable to increase the forward speed (double if possible) and reduce the pressure to 1.5 bar (20 psi).

2. Select and use the appropriate protective clothing. Select detergent suitable for cleaning and suitable deactivating agents if necessary.
3. Rinse and clean sprayer and tractor externally. Use detergent if necessary.
4. Remove tank and suction filters and clean. Be careful not to damage the mesh. Replace suction filter top. Replace filters when the sprayer is completely clean.
5. With the pump running, rinse the inside of the tank. Remember the tank roof. Rinse and operate all components and any equipment that has been in contact with the chemical.

Before opening the distribution valves and spraying the liquid out, decide whether this should be done in the field again or on the soakaway.

6. After spraying the liquid out, stop the pump and fill at least  $\frac{1}{5}$  of the tank with clean water. Note that some chemicals require the tank to be completely filled. Add appropriate detergent and/or deactivating agent, e.g. washing soda or Triple ammonia.

**NOTE!** If a cleaning procedure is given on the chemical label, follow it closely.

7. Start the pump and operate all controls enabling the liquid to come in contact with all the components. Leave the distribution valves until last. Some detergents and deactivating agents work best if left in the tank for a short period. Check the label. The Self-Cleaning Filter can be flushed by removing the by-pass hose from the bottom of the filter. Stop the pump and remove the hose. Start the pump for a few seconds to flush filter. Be careful not to lose the restrictor nozzle.
8. Drain the tank and let the pump run dry. Rinse inside of the tank, again letting the pump run dry.
9. Stop the pump. If the pesticides used have a tendency to block nozzles and filters, remove and clean them now. Also check for sediment on the pressure side of the safety valve for the Self-Cleaning Filter.

# Maintenance

---

10. Replace all the filters and nozzles and store the sprayer. If, from previous experiences, it is noted that the solvents in the pesticide are particularly aggressive, store the sprayer with the tank lid open.

**NOTE!** If the sprayer is cleaned with a high pressure cleaner lubrication of the entire machine is recommended.

## **Cleaning and maintenance of filters**

Clean filters ensure:

- Sprayer components such as valves, diaphragms and operating unit are not hindered or damaged during operation.
- Nozzle blockages do not occur whilst spraying.
- Long life of the pump. A blocked suction filter will result in pump cavitation.

The main filter protecting sprayer components is the suction filter at the top of the tank. Check it regularly.




# Maintenance

## Lubrication

### About lubricants

- Always store lubricants clean, dry and cool - preferably at a constant temperature - to avoid contamination from dirt and condensed water.
- Keep oil filling jugs, hoppers and grease guns clean, and clean the lubricating points thoroughly before lubricating.
- Avoid skin contact with oil products for longer periods.
- **NOTE!** If the sprayer is cleaned with a high pressure cleaner or fertiliser has been used, lubrication of all sections is recommended.

### Recommended lubricants

Lubricating points		Lubricant	
Ball bearings		<b>A</b>	Universal Lithium grease, NLGI No. 2 SHELL RETINAX EP2 CASTROL LMX GREASE
Slide bearings		<b>B</b>	Lithium grease with Molybdenumdisulphide or graphite SHELL RETINAX HDM2 CASTROL MOLYMAX
Oil lubricating points		<b>C</b>	TOTAL Transmission TM SAE 80W/90 CASTROL EPX 80W/90 SHELL SPIRAX 80W/90 MOBIL MOBILUBE 80W/90

044

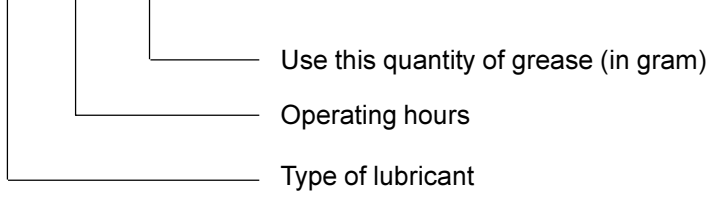
#### \*) Guidelines - greasing

- Follow the shown direction concerning recommended quantity.
- If no recommended quantity is given, feed lubricator till new grease becomes visible.

# Maintenance

## Lubrication & oiling plan

**B - 50h - 30g**

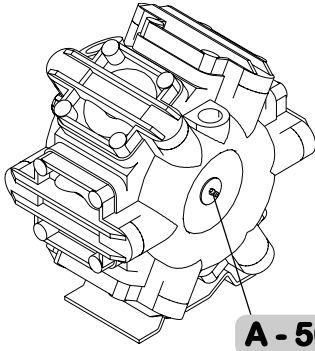


**5** — Position on the sprayer



# Maintenance

**1**



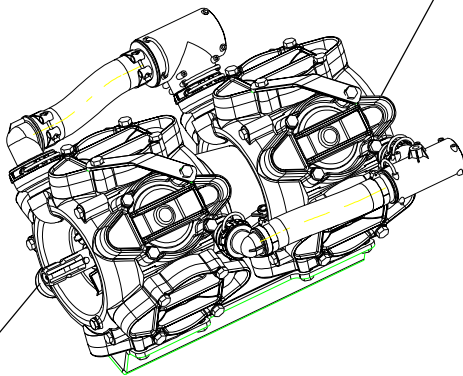
T201-0001

**A - 50h - 40g/50g\***

\* Pump model 363 = 40g  
Pump model 463 = 50g

**1**

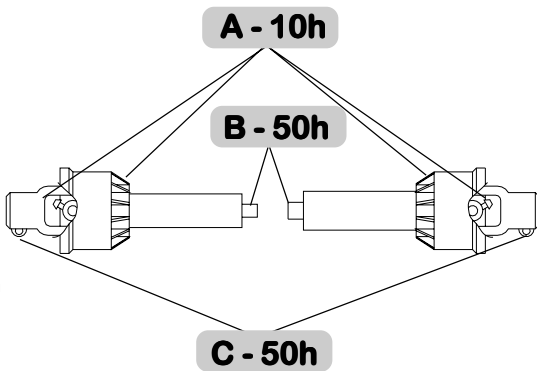
Double pump (HCFS only)



**A - 50h - 40g/50g\***

**A - 50h - 40g/50g\***

**2**



T226-0001

**A - 10h**

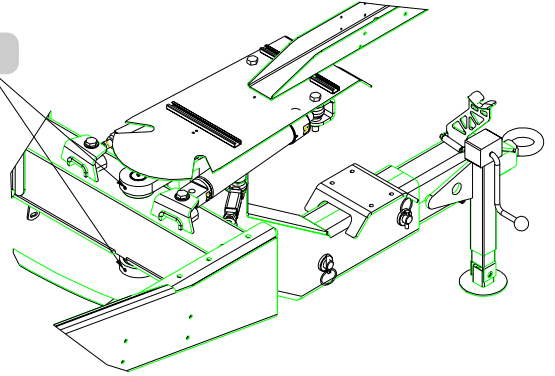
**B - 50h**

**C - 50h**

**3**

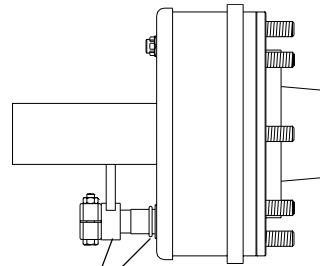
All models

**B - 10h**



T222-0000x

**4**



**A - 200h**

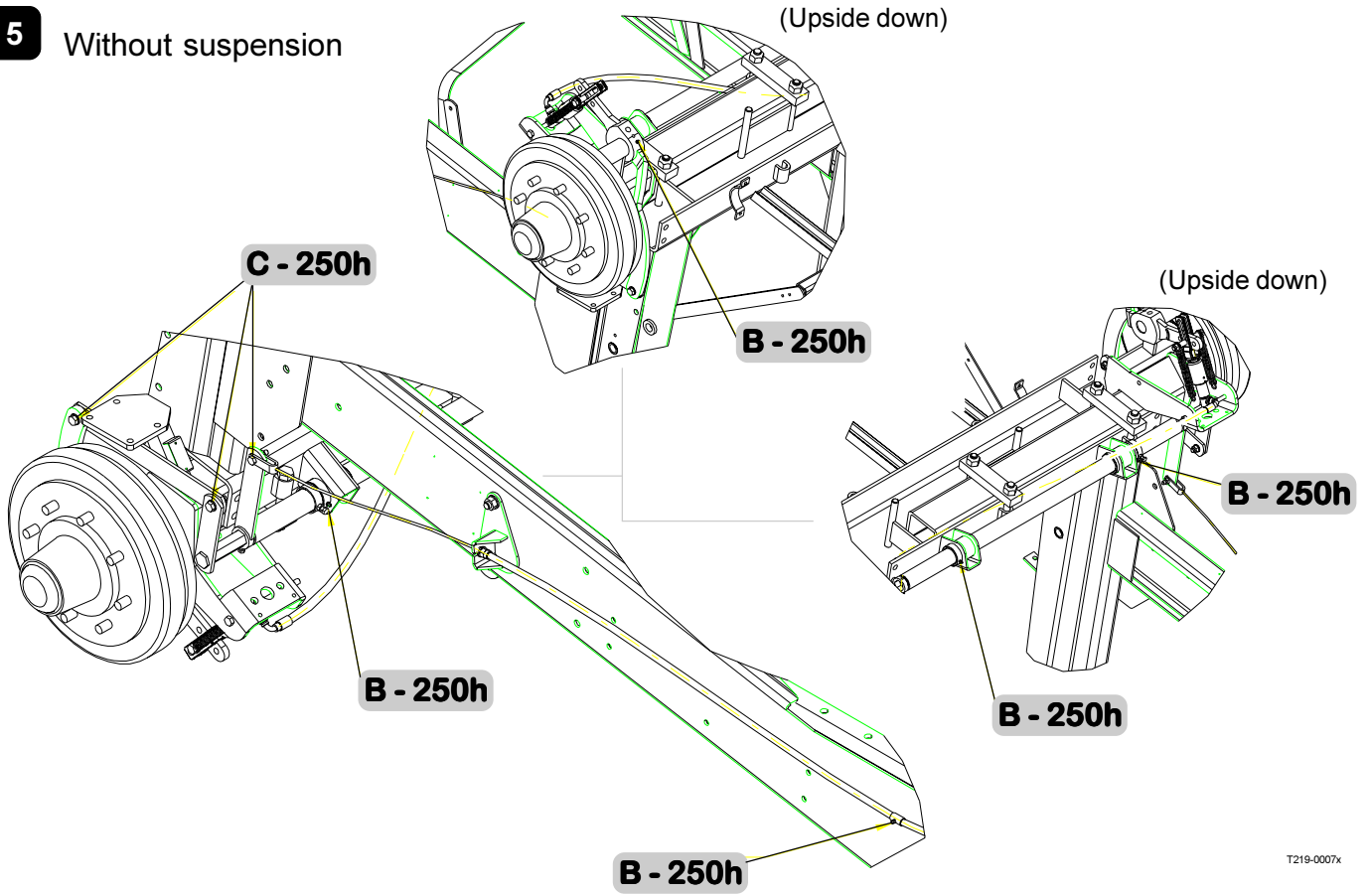
T202-0008

**C - 50h**

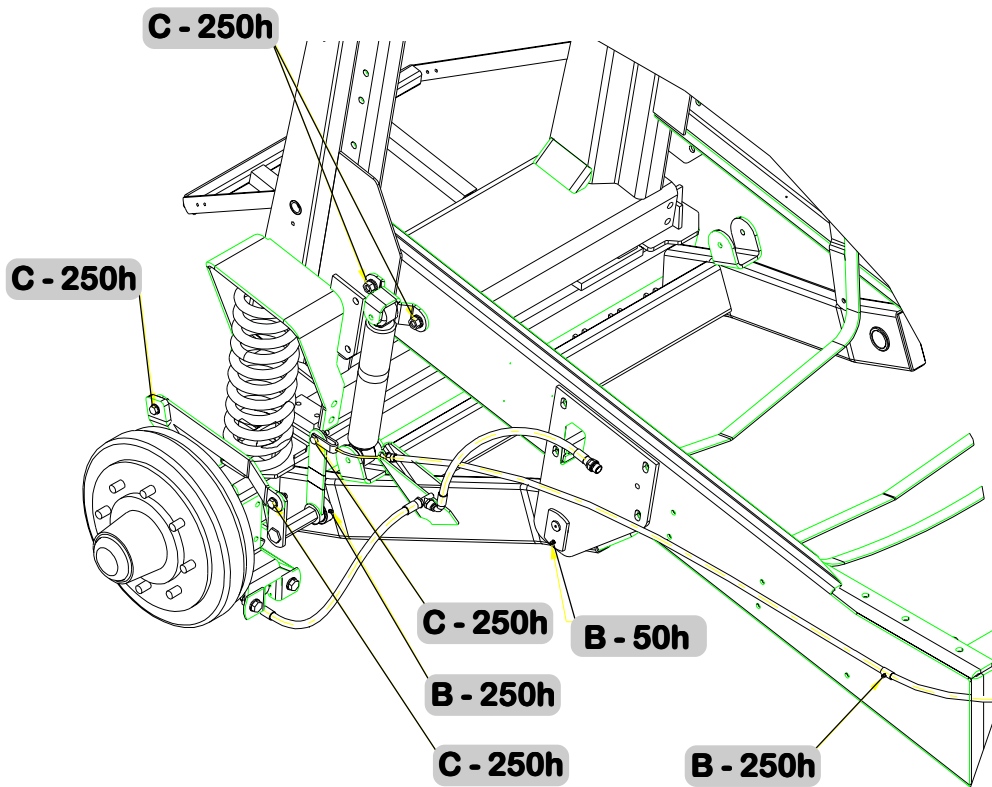


# Maintenance

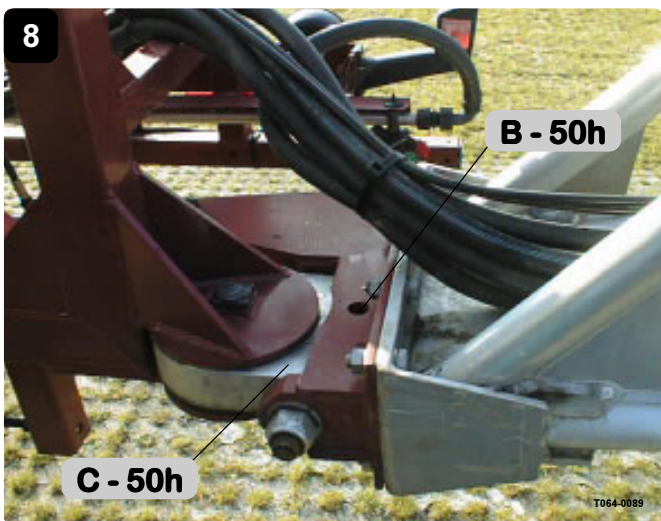
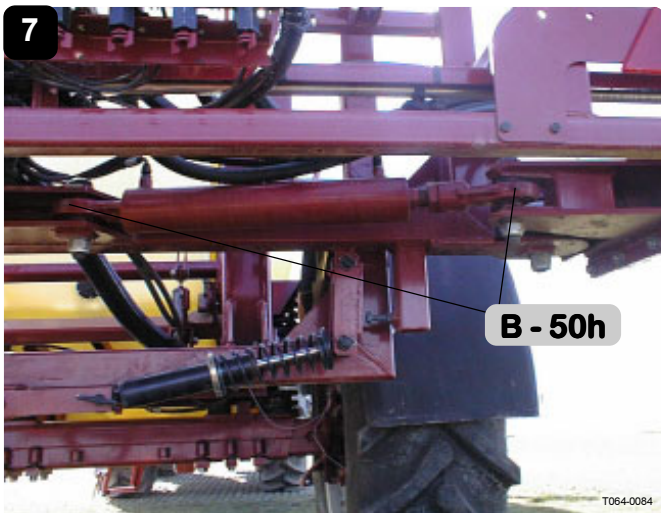
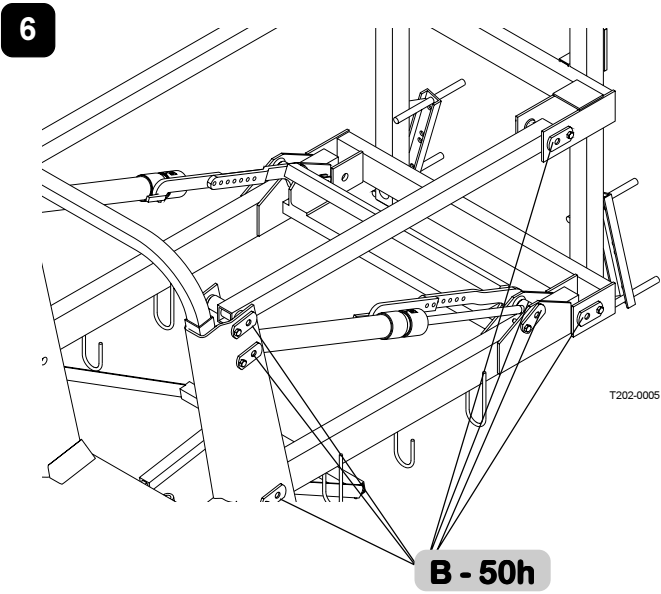
## 5 Without suspension



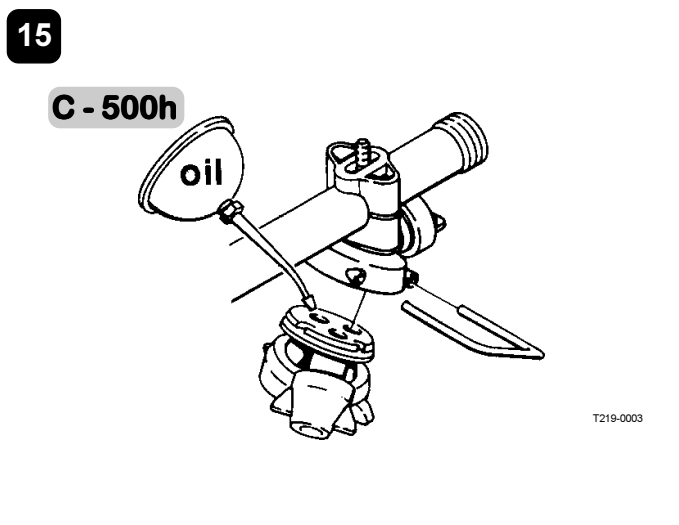
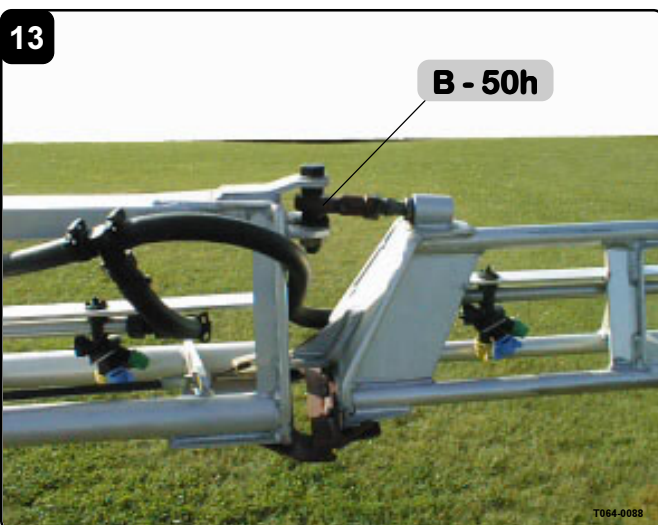
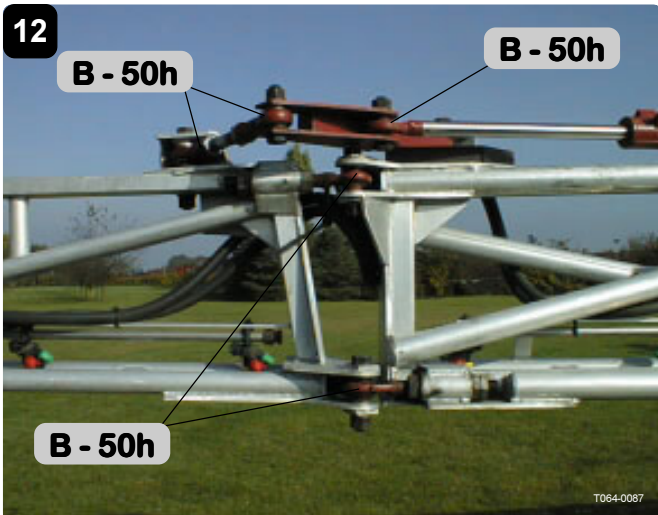
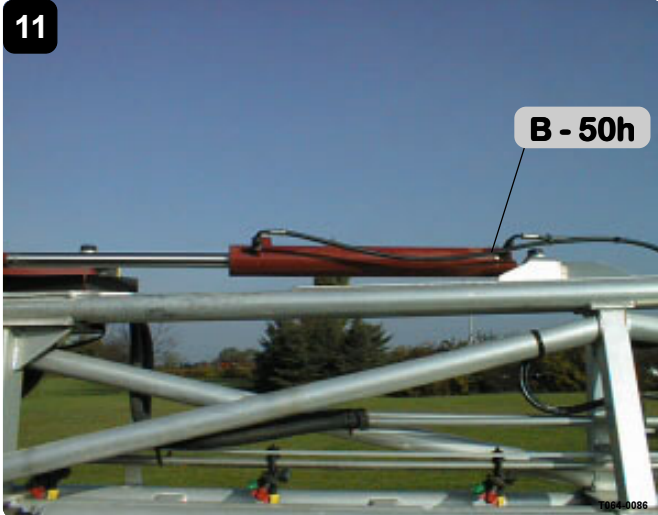
## 5 With suspension



# Maintenance



# Maintenance



# Maintenance

---

## Service and Maintenance intervals

### 10 hours service

1. Suction filter, clean
2. Self-cleaning filter, check and clean gauze if necessary
3. In-line filters, clean
4. Nozzle filters, clean
5. Spraying circuit, check for leaks
6. Brakes Air tank, drain
7. Brakes, check
8. Retighten bolts (suspension only)

### 50 hours service

Do all previous mentioned +

1. Wheel bolts and nuts, tighten
2. Air brakes, check
3. Expansion bottle (SELF TRACK only), check air pressure
4. Transmission shaft, check
5. Tyre pressure, check

### 100 hours service

Do all previous mentioned +

1. Fixed drawbar, check/adjust

### 250 hours service

Do all previous mentioned +

1. Wheel bearings, check
2. Parking brake, inspect
3. Wheel brake, adjust
4. Air brake filters, clean
5. Hydraulic brakes, inspect
6. Hydraulic circuit, check
7. Expansion bottle (SELF TRACK only), check oil level
8. Hoses and tubes, check
9. Readjustment of the boom

### 1000 hours service or yearly, whichever comes first

Do all previous mentioned +

1. Wheel bearings and brakes, check
2. Transmission shaft, change parts

# Maintenance

---

## Occasional maintenance

Pump valves and diaphragms renewal  
Cone check/renewal, EVC operating unit  
Cone check/renewal, EVC distribution valve  
Wear bushing renewal, boom lift  
Wear bushing renewal, drawbar  
Venting the hydraulic damping system (SELF TRACK)  
TRACKER damper pressure setting (SELF TRACK)  
Shock absorbers, inspect  
Level indicator adjustment  
Cord renewal, level indicator  
Seal renewal, drain valve  
Nozzle tubes and fittings  
Replacement of transmission shaft protection guards  
Replacement of transmission shaft cross journals  
Adjustment of 3-way-valve  
Change of bulbs  
Adjustment of slanting control indicator cable  
Change of tyre



**Always check that all lock nuts are tight after adjustment**

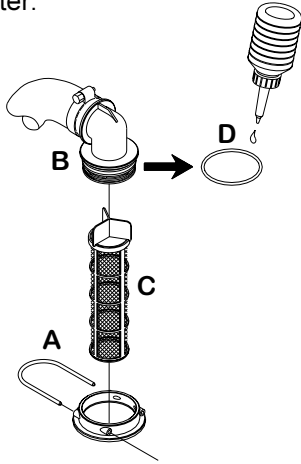
# Maintenance

## 10 hours service

### 1. Suction filter

To service the suction filter:

1. Pull out the steel clip **A**.
2. Lift the suction hose fitting **B** from housing.
3. Filter guide and filter **C** can now be removed.



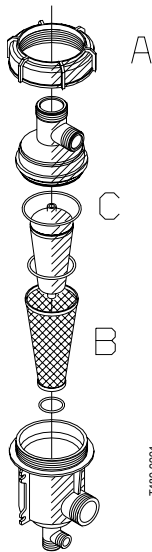
To reassemble:

4. Press the guide onto filter end.
5. Place the filter into housing with guide facing up.
6. Ensure the O-ring **D** on the hose fitting is in good condition and lubricated.
7. Refit the suction hose **B** and steel clip **A**.

T180-0003

### 2. Self-Cleaning Filter

1. Unscrew nut **A** and open filter.
2. Check filter gauze **B**, clean if necessary
3. Lubricate O-ring **C**
4. Assemble filter again.

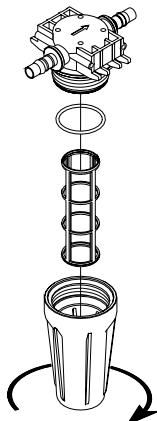


T180-0004

### 3. In-Line filter (if fitted)

If the boom is equipped with In-Line Filters unscrew the filter bowl to inspect and clean the filter.

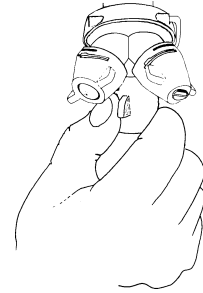
Alternative filters are available. See section on Technical specifications - Filters and nozzles.



T180-0005

### 4. Nozzle filters

Check and clean.



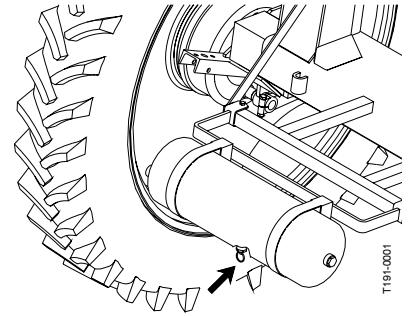
T180-0006

### 5. Spraying circuit

Fill with clean water, operate all functions and check for leaks using higher spray pressure than normal. Check nozzle spray patterns visually using clean water.

### 6. Brakes Air tank

Drain the air tank for condensed water at the drain valve.



T181-0001

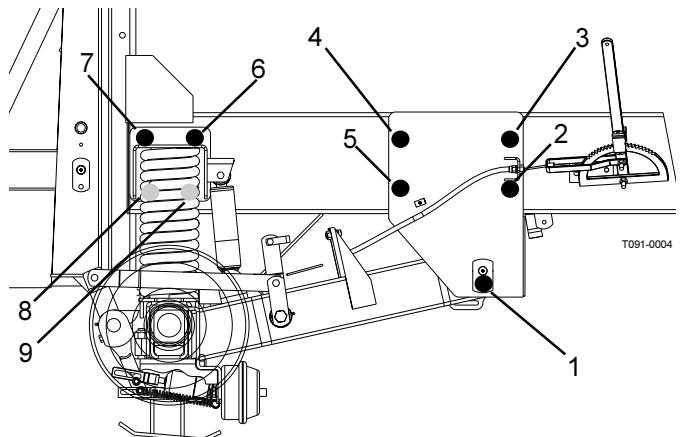
### 7. Brakes

Apply brake pedal and check function of trailer brakes.

### 8. Retighten bolts (suspension only)

Check that these 9 bolts - on each side of the COMMANDER - are tight. Retighten if necessary. Tightening torque: Bolt 1 = 24 Nm (retain nut on the backside of the mounting by a spanner while adjusting bolt 1).

Bolt 2-9: 280 Nm



T091-0004

Bolt 8 and 9 are situated behind the spring.

# Maintenance

## 50 hours service

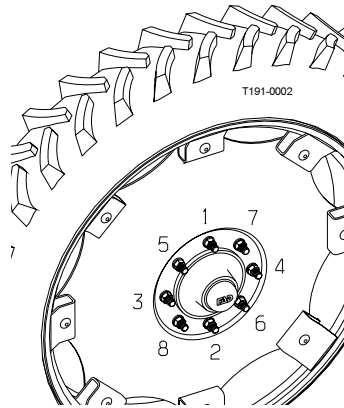
### 1. Wheel bolts and nuts

Tighten wheel bolts and nuts as follows with following torque wrench settings:

Wheel hub to rim plate:  
490 Nm (362 lbft)

Rim plate to rim:  
280 + 30 Nm  
(207 + 22 lbft)

Tightening sequence:  
See illustration (1-8).



### 2. Air brakes

The air brakes are checked for leaks by following procedure:

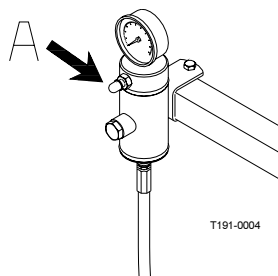
1. Connect the snap-couplers to the tractor and fill the trailer air tanks.
2. Check for leaks with brakes released.
3. Apply the brake up to full pressure.
4. Check for leaks with brakes applied.

### 3. Expansion bottle (SELF TRACK only)

Check air pressure in the expansion tank for the hydraulic damping at the pressure gauge.

Fill through valve A if necessary.

Air pressure: 5 bar (73 p.s.i.)



### 4. Transmission shaft

Check function and condition of the transmission shaft protection guards. Replace possible damaged parts

## 5. Tyre pressure

Check the tyre pressure according to the table below.

Tyre size RC 95	Recommended inflation pressure in bar (p.s.i.)	Minimum Load Index A8/A2
230/95 R44 (9.5 x 44)	3.6 (52)	134/145
230/95 R48 (9.5 x 48)	3.6 (52)	136/147
270/95 R44 (11.2 x 44)	3.6 (52)	140/151
270/95 R48 (11.2 x 48)	3.6 (52)	142/153
12.4 x 46	3.6 (52)	147/158
16.9 x 38	1.6 (23)	141/152
18.4 x 38	1.6 (23)	147/144
20.8 x 38	1.2 (18)	154/151

002

**IMPORTANT!** If renewing tyres always use tyres with min. load index as specified in the table.



**WARNING!** Never inflate tyres more than to the pressure specified in the table. Over-inflated tyres can explode and cause severe personal injuries! See the part *Occasional Maintenance - Change of tyre.*

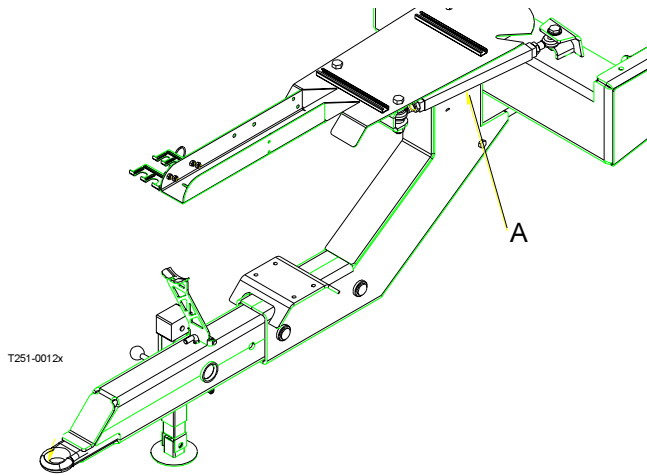
# Maintenance

## 100 hours service

### 1. Check/adjust drawbar (Fixed drawbar only)

If too much play is found in the lateral movements of the drawbar it must be adjusted.

Regulate on the turnbuckles **A** on each side in order to adjust and centre the drawbar.





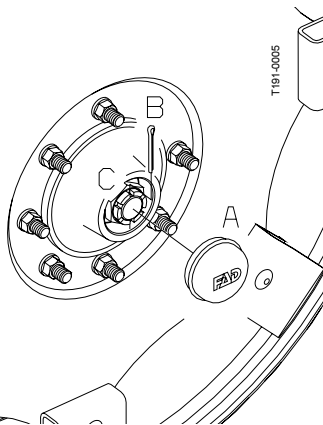
# Maintenance

## 250 hours service

### 1. Wheel bearings

Check for play in the wheel bearings:

1. Place stop wedges in front of and behind LH wheel and jack up RH wheel
2. Rock the RH wheel to discover possible play in the bearings.
3. If any play, support the wheel axle to prevent the trailer from falling down from the jack.
4. Remove hub cap **A** and cotter pin **B**. Turn the wheel and tighten the castellated nut **C** until a slight resistance in the wheel rotation is felt.
5. Loosen the castellated nut until the first notch - horizontal or vertical - is aligned with the cotter pin hole in the shaft.
6. Fit a new cotter pin and bend it.
7. Fill the hub cap with fresh grease and press it on to the hub again.
8. Repeat the procedure on LH wheel.



### 2. Inspect parking brake

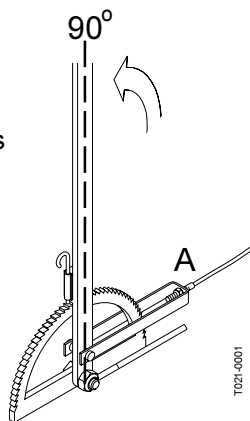
Inspect the following:

#### The parking brake lever:

If it can be pulled further backwards than 90° (midway), using a traction of approximate 25 kg., the cable needs to be adjusted.

#### The parking brake cable:

When the parking brake is relieved, the cable must be limp; otherwise it needs to be adjusted.



Correct length: When the brake is relieved the cable must be tight and yet not stretched.

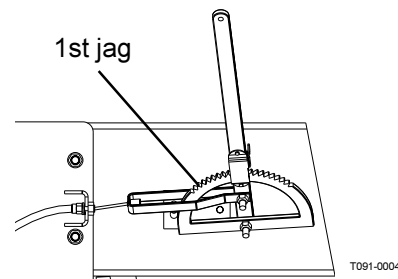
Lengthening/shortening of the parking brake cable is carried out by adjusting the nut **A**.

Inspect the parking brake cables for possible wear or damages. Replace worn or damaged parts.

### 3. Brake adjustment

Lift the back of the COMMANDER from the ground. It is recommended to use two lifting jacks, placed underneath the axle. Make sure the COMMANDER is stable and secured before carrying out any adjustments.

1. Place the handbrake in the first jag. (Please refer to illustration).

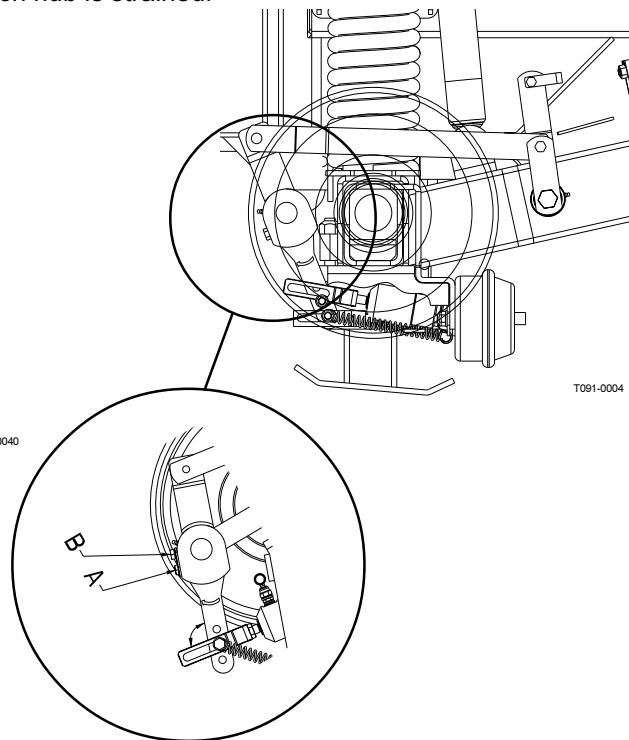


**NOTE!** The following adjustment must be carried out simultaneously on both brakes. Therefore, alternately adjust on both LH brake and RH brake.

2. Loosen nut **B**, lift and flip the small lock plate aside.
3. Adjust the nut **A** clockwise. Turn the nut 90° (1/4 turn) at a time - alternately on both LH and RH brake.

After each 1/4 turn:

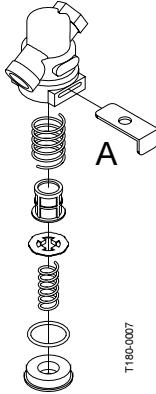
Check the hub by rotating it. Continue adjustment till resistance occurs. This adjustment is completed, when each hub is strained.



# Maintenance

## 4. Air brake filters (if fitted)

1. Clean the area around air filter(s) and disconnect air hose from the tractor.
2. Hold one hand under the filter housing, and pull out the retainer clip **A**. The filter cartridge assembly will be pushed out by the springs inside the filter housing.
3. Clean the filter cartridge. Use water and an appropriate detergent or compressed air.
4. Dry the parts and reinstall in the order shown. The O-ring should be lightly lubricated with silicone grease before installation.



## 9. Readjustment of the boom

Please see next page.

## 5. Hydraulic brakes

Apply brakes to full pressure and inspect brake lines for damages or leaks. Replace damaged parts.

**IMPORTANT!** If the hydraulic brake lines have been dismantled the circuit must be primed afterwards:

1. Loosen brake hose at both brake cylinders.
2. Apply brake until oil without air bubbles come out.
3. Tighten brake hose before relieving the brake again.

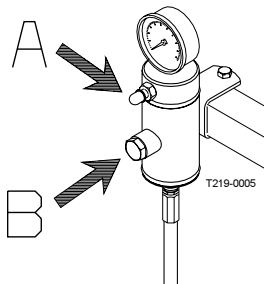
## 6. Hydraulic circuit

Check the hydraulic circuit for leaks and repair if any.

## 7. Expansion bottle (SELF TRACK only)

Check the oil level:

1. Depressurize the expansion bottle through valve **A** first.
2. Remove the level plug **B** and check that the oil level is reaching the level hole. Add if the level is low.
3. Tighten the plug again and inflate the bottle to 5 bar air pressure.



## 8. Hoses and tubes

Check all hoses and tubes for possible damages and proper attachment. Renew damaged hoses or tubes.

# Maintenance

## Readjustment of the boom

Please go through this check list before carrying out adjustment:

- The sprayer must be lubricated (see part about Lubrication)
- Sprayer must be connected to the tractor and both machines must be placed on level ground
- The boom must be unfolded (unless something else is mentioned in the text)
- Set slanting angle at midway

Adjustment of hydraulic cylinders is done without pressure in the hydraulic system.



**WARNING! Nobody is allowed under the boom while adjustment is carried out.**

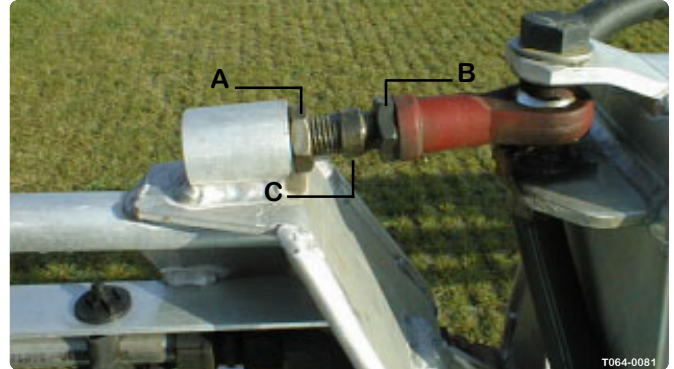
Overview of the boom sections:



## Breakaway section

### Vertical alignment

1. Loosen the locknuts A and B
2. Align the position of the section by means of the dowel screw C.
3. Tighten the locknuts again.



### Adjustment of spring load

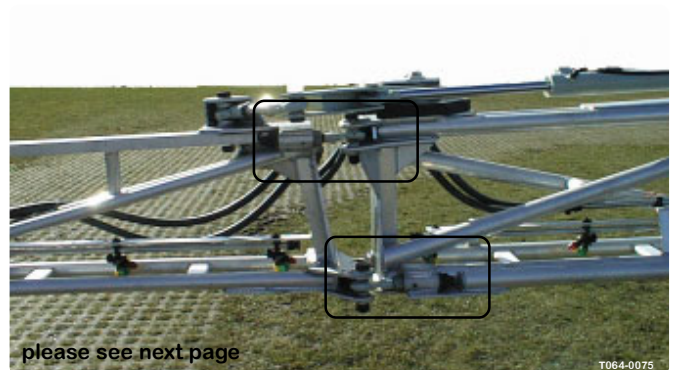
The breakaway device is adjusted by increasing or decreasing the amount of spring load. Adjustment is carried out by means of the nuts A & B.



## Outer section

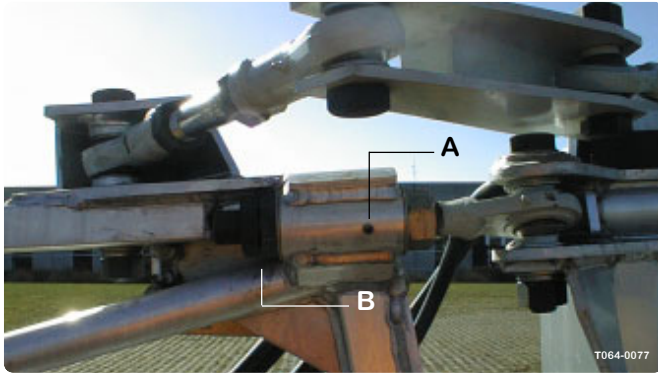
### Vertical alignment

1. Loosen the allen screw A.
2. Align the boom section by means of the locknut B.
3. Tighten A again.



please see next page

# Maintenance



## Inner section

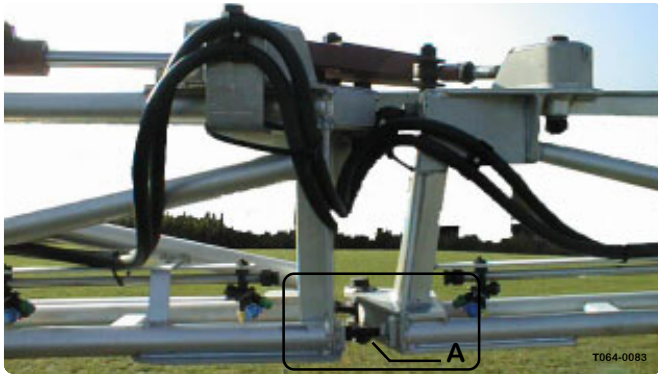
### Alignment of inner section

1. Remove pressure from cylinder.
2. Loosen counter nut A
3. Align the section by means of the nut B.
4. Tighten A again.



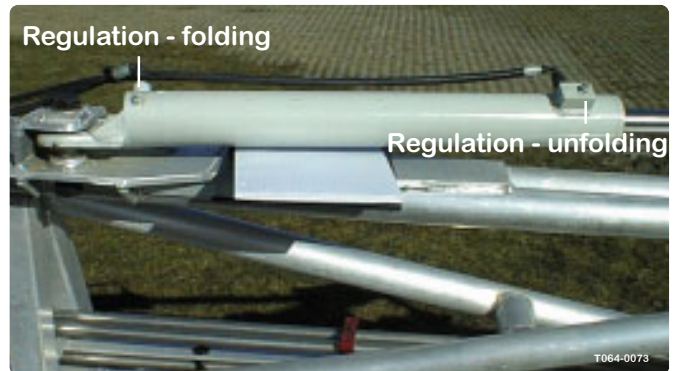
### Horizontal alignment

Align the boom section by means of the screwbolt A.



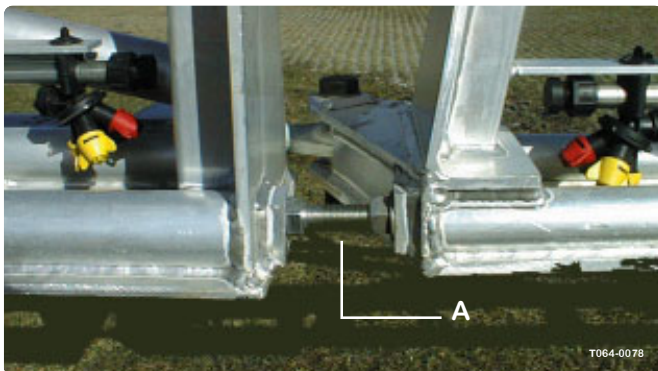
### Adjustment of folding/unfolding boom speed - setting of restriction

Adjustment is carried out via the restriction cylinders. Both cylinders (one at each boom wing) have two throttle valves that control respectively the folding and unfolding of the boom.



(Breakaway)

(Centre)



**Note!** If too much restriction, the boom will neither be able to fold completely in nor out. Adjustment is needed.

**Note!** If too little restriction, the boom will fold and unfold at too high a speed which may cause a reduction in the life span of the boom. Adjustment is needed.

Correct restriction is characterized by the fact that when the boom wing folds, it reduces folding speed approx. 30 cm before reaching the transport bracket mounted to the inner section. This remaining 30-cm-distance of the folding procedure is done at reduced speed.

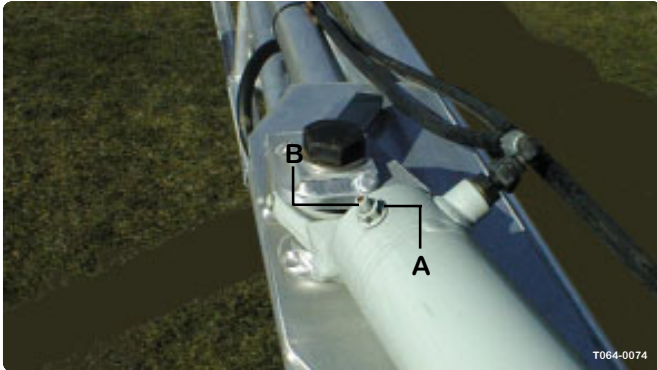
Vice versa regarding the unfolding of the boom wing.

# Maintenance

## Adjustment:

1. Loosen the nut A.
2. Use an allen key to adjust the allen screw B.
3. Tighten nut A again.

**Note!** Even small adjustments of the allen screw B will have large effect. Therefore, turn the screw only 1/6 turn at the time and subsequently test the folding/unfolding speed of the boom.



**Clockwise** =  
more restriction

**Anti-clockwise** =  
less restriction



## Centre section

### *Inspect dampers*

Check the position of the setscrew A. Adjust if necessary.

Correct position = 10 mm clearance between the bolt head and the opposite mounting.

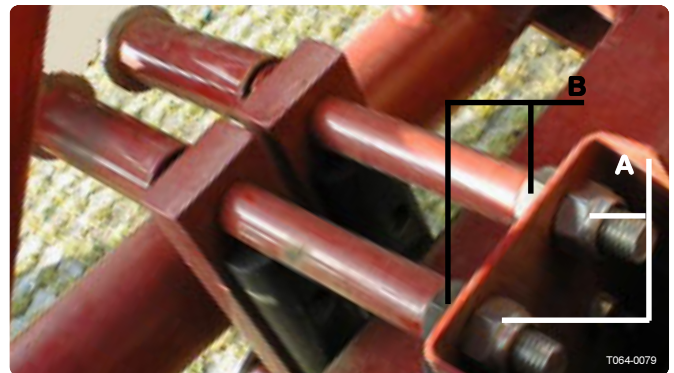


## Adjustment of the pendulum effect

The pendulum effect should be adjusted to match the local topography. For this purpose the springs A (two at each side of the centre section) can be adjusted.

Guideline: The more spring load the slower reaction of the boom.

Hilly country - Increase spring load  
Flat country - Decrease spring load



1. Loosen the nuts A.
2. Regulate spring load by means of the nuts B.
- 3 Tighten A again.

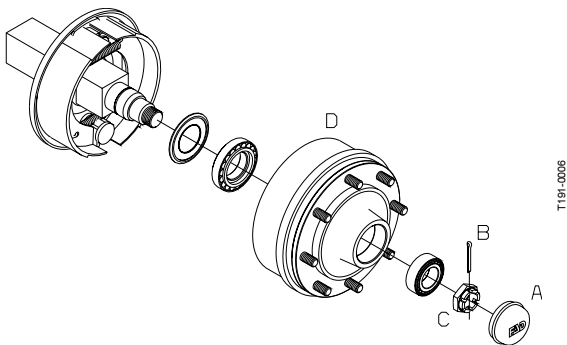
# Maintenance

## 1000 hours service

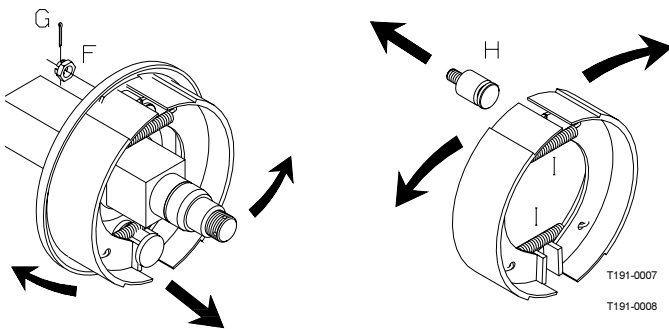
### 1. Wheel bearings and brakes

Check the condition of the bearings and brake wear parts in the following way:

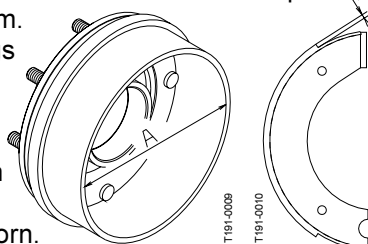
1. Place stop wedges in front of and behind LH wheel and jack up RH wheel.
2. Support the trailer with axle stands.
3. Remove the wheel.
4. Remove the hub cap **A**, cotter pin **B** and castle nut **C**.
5. Pull off the wheel hub and brake drum assembly. Use a wheel puller if necessary.
6. Vacuum clean the brake drum **D** for brake dust or rinse with water.



**WARNING!** Brake dust can cause severe health injuries! Avoid inhalation of brake dust! Use respirator when servicing the brakes. Do not clean brakes with compressed air! Use vacuum cleaner or rinse with water to avoid brake dust being blown around.



7. Rinse the remaining parts on the brake carrier plate with water and dry them.
8. Remove roller bearings **E**, clean all parts in degreasing detergent and dry them.
9. Check the brake drum diameter and lining thickness - renew if worn.



Max. wear rates on brake components, mm (in)		
Model	2200/2800	3200/4200
Max. drum diameter	A 302 (11.8897)	402 (15.8388)
Min. lining thickness B	2.0 (0.07874)	4.0 (0.15748)

**IMPORTANT!** The specified min. thickness is the absolute minimum which must never be exceeded. Renew the parts if they would reach the above dimensions before next service inspection.

**IMPORTANT!** Renewal of brake linings or brake drums must be done both sides at the same time.

**NOTE!** If the brake drum must be removed from the hub, a hydraulic press is required to press the wheel studs out.

10. Remove the clevis pin between the air diaphragm cylinder and brake cam lever.
11. Remove the cotterpin **G** and nut **F**, the brake shoe anchor bolt **H** and slide the brake shoes over the cam. Twist the pair of brake shoes to remove the shoe return springs **I**. Replace brake shoes if the linings are worn.
12. Apply a small qty. of copper paste on moving parts and assemble the brake shoes and shoe return springs again.

**WARNING!** Do not get oil, grease or copper paste in contact with the brake linings and drums.

13. Fit the shoe assembly with the anchor bolt first. Then pull the shoes away from each other and slide them over the cam afterwards. Tighten the anchor bolt castellated nut again and fit a new cotter pin.
14. Check roller bearings for discoloration and wear - renew if worn or damaged.
15. Assemble the hub and bearings using a new sealing ring **J**.
16. Fill the hub and bearings with fresh grease before fitting it to the shaft.
17. Fit the castellated nut. Rotate the hub and tighten the castellated nut until a slight rotation resistance is felt.
18. Loosen the castellated nut again until the first notch is aligned with the cotter pin hole in the shaft.

**NOTE!** The shaft has a vertical and an horizontal cotter pin hole. Use the one first aligned with the notch when loosening the castellated nut.

19. Fit a new cotter pin and bend it.
20. Fill the hub cap with fresh grease and carefully press it on to the hub.
21. Adjust the brakes as described in "200 hours service".
22. Fit the wheel again and tighten the wheel nuts. See section "50 hours service" regarding torque wrench setting. Tighten all bolts to half the specified torque first, then to the full specified torque.
23. Tighten again after 10 hours of work. Check the torque every day until it is stabilised.

**WARNING!** If you do not feel totally confident changing wheel bearings or brake shoes contact your HARDI dealers workshop.

# Maintenance

---

## **2. Transmission shaft**

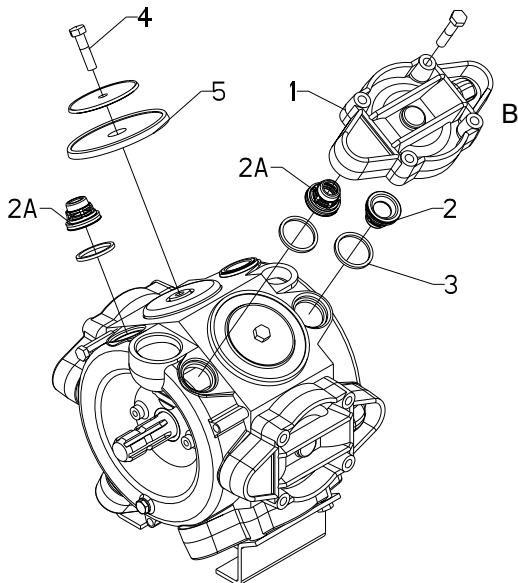
Change the protection tube nylon bearings as described under “Replacement of transmission shaft protection tubes” in the part *Occasional Maintenance*.

# Maintenance

## Occasional maintenance

The maintenance and renewal intervals for the following will depend very much on the conditions under which the sprayer will be operated and are therefore impossible to specify.

### Pump valves and diaphragms renewal



T261-0001

Diaphragm pump overhaul kit (valves, seals, diaphragms etc.)

Pump model	HARDI part No.
363	750342
463	750343

#### Valves

Remove valve cover **1** before changing the valves **2** - note their orientation so they are replaced correctly!

**NOTE:** One special valve with white flap **2A** is used. It has to be placed in the valve opening shown.

It is recommended to use new gaskets **3** when changing or checking the valves.

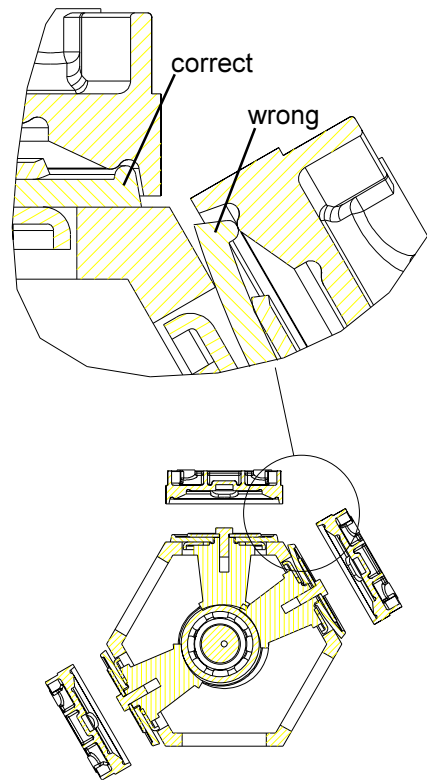
#### Diaphragms

Remove the diaphragm cover **4**. The diaphragm **5** may then be changed. If fluids have reached the crankcase, re-grease the pump thoroughly. Also check that the drain hole at the bottom of the pump is not blocked. Reassemble with the following torque setting.

Pump model	Diaphragm cover Nm	Diaphragm bolt Nm
463	90	90
463	90	90

1 Nm = 0.74 lbf

**IMPORTANT!** Before tightening the 4 bolts for the diaphragm cover **B** the diaphragm must be positioned between centre and top to ensure correct sealing between diaphragm pumphousing and diaphragm cover. Turn crank shaft if necessary.

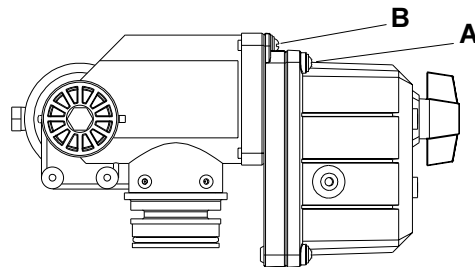


T192-0005x

### Cone check/renewal EVC operating unit

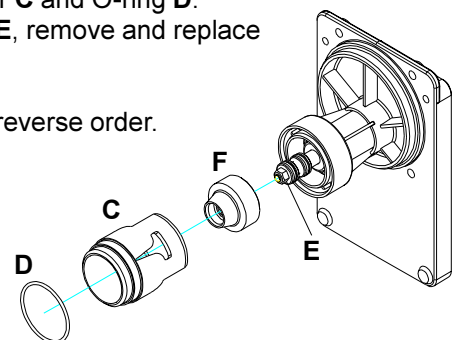
If it becomes difficult to build up sufficient pressure or if pressure fluctuations occur, it may be necessary to renew cone and cylinder. A HARDI kit is available for this purpose. Ref. no. 741293.

1. Remove 4 x screws **A** and remove the housing.
2. Remove 4 x screws **B**.



T192-0007x

3. Replace cylinder **C** and O-ring **D**.
4. Loosen the nut **E**, remove and replace the cone **F**.
5. Reassemble in reverse order.





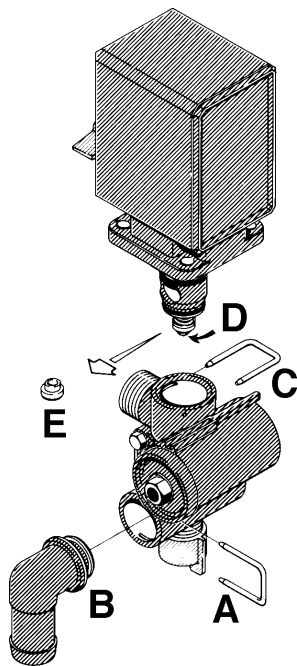
# Maintenance

## Cone check/renewal, EVC distribution valve

Periodically check the distribution valves for proper sealing. Do this by running the sprayer with clean water and open all distribution valves.

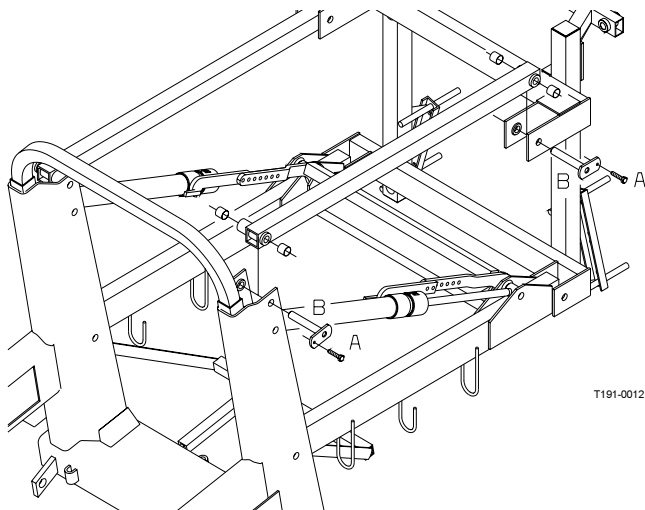
Cautiously remove the clip **A** and pull out the hose **B** for the pressure equalisation device. When the housing is drained, there should be no liquid flow through the pressure equalisation device. If there is any leakage, the valve cone **E** must be changed.

Remove the clip **C** and lift the motor housing off the valve housing. Then unscrew the screw **D** and replace the valve cone **E**. Reassemble in reverse order.



## Wear bushing renewal, boom lift

The wear bushes are inspected and renewed before they are worn through.

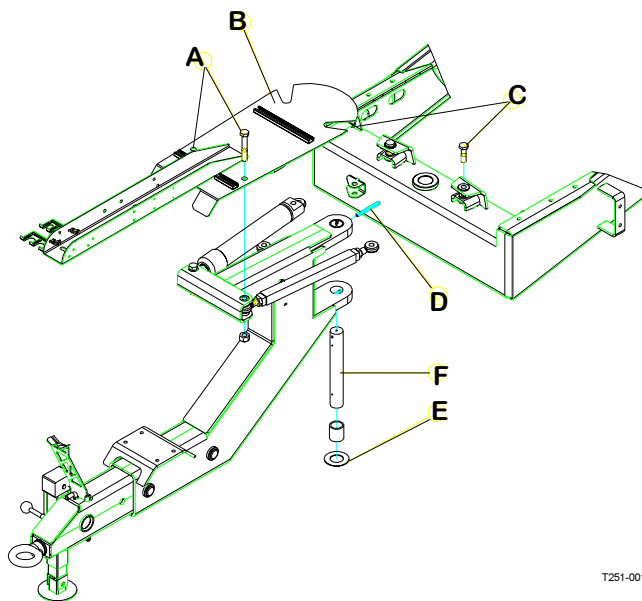


1. Connect the trailer to a tractor and unfold the booms to working position.
2. Lift the boom centre frame with a lifting device and support it until the load is taken off the parallelogram arms.
3. Remove the screws **A**, and pull out the pins **B** at one of the upper parallelogram arms and renew the wear bushes.
4. Refit the arm.
5. Repeat this on the other upper arm.

6. The lower arms must be disconnected simultaneously.  
Grease all grease nipples.
7. Remove the lifting gear again.

## Wear bushing renewal, drawbar (all TRACKER models)

If too much play is found in the drawbar the wear bushes must be renewed.



1. Place stop wedges in front of and behind both wheels.
2. Jack up the frame and support it properly.
3. If *not* a SELF TRACK model: Remove the drawbar extension to reduce the weight of the drawbar.
4. Loosen the two bolts **A** and support the bracket **B** in order to keep it in a level position (e.g. by a rope fastened to the platform railing).
5. Without dismantling the hydraulic system the hydraulic rams are removed from the drawbar by loosening the nuts **C**.
6. Support the drawbar and remove the two pin bolts **D**, the washer **E** and the pin **F**.
7. Move the drawbar to the side and support it.
8. Press out the worn bushes and fit new ones.
9. Assemble again in reverse order.
10. Grease through grease nipples and remove jack and wedges.
11. Fit the extension piece in the drawbar again and place the sprayer on the support leg

# Maintenance

## Venting the hydraulic damping system (SELF TRACK only)

The following venting procedure requires a special venting kit, HARDI ref. no. 720725.

1. Place the trailer on the support leg so that the yoke goes free from the tractor and the rams can work freely.
2. Relieve the pressure in the expansion tank and remove the hydraulic hose.

NOTE! Plug the hose. If this is neglected, the pressure gauge may be damaged.

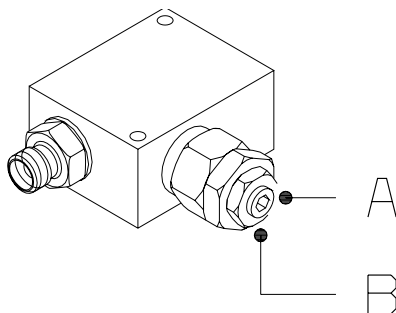
3. Fit the two test hoses in the pressure gauge outlets on the rams (at the rear of the track system).
4. Move the track system from one side to the other approx. 10 times (full swing).
5. Loosen the plug very carefully in order to leak the air out of the system.
6. Fit the hydraulic hose on the expansion tank.
7. Remove the level plug and using the tractor hydraulics, cautiously fill oil in the expansion tank until it reaches the level plug.
8. Fit the level plug and fill the expansion tank to an air pressure of 5 bar.
9. Fit the 0-400 bar pressure gauge on the pressure gauge outlet at the ram. Adjust the excess-pressure valve to approx. 40 bar.

On flat ground it is possible to work with a lower opening pressure. This gives a more sensible reaction but it also results in the fact that the trailer can swing when driving on hilly ground and when swinging at high speed.

## TRACKER damping pressure setting (SELF TRACK only)

The hydraulic pressure relief valves in the TRACKER's damping system is factory set to open at approx. 40 bar (580 p.s.i.) which is adequate for most conditions.

If the damping seems too "soft" or too "hard", the settings can be adjusted.



T191-0014

## Shock absorbers

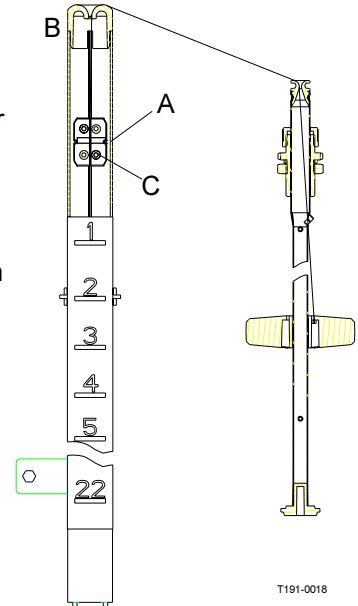
If the shock absorbers loose their efficiency or start leaking oil, they should be replaced.

## Level indicator adjustment

The level indicator reading should be checked regularly.

When the tank is empty, the float should lie on the stop pin, of the rod, and the O-ring on the indicator should be positioned at the top position line **A**.

If any deviation is found, pull out the plug **B**, loosen screws **C**, and adjust the length of the cord.



T191-0018

## Cord renewal, level indicator

If the cord on the level indicator has to be changed, the float guide pole is removed:

1. Remove the tank drain valve (see paragraph "Main tank drain valve") and loosen the fitting holding the pole in position.
2. Pull the pole down through the drain valve hole till it is free in the top of the tank.
3. The pole can now be taken out of the tank through the filling hole.



**DANGER!** Do not attempt to enter the tank - the float pole can be removed from outside the tank!

## Seal renewal, drain valve

If the main tank drain valve leaks, the seal and seat can be changed the following way.



**DANGER!** Do not enter the inside of the tank - the parts can be changed from underneath the tank!

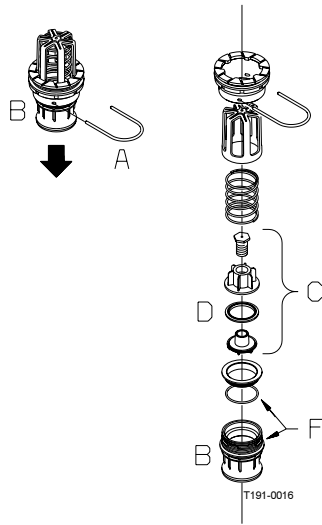


**WARNING!** Use eye / face protection mask when dismantling the tank drain valve!

1. Make sure the tank is empty and clean.
2. The valve must be closed and the string loose.

# Maintenance

3. Pull out the clip **A** and pull down connecting piece **B**. The entire valve assembly can now be pulled out.
4. Check cord and valve flap assembly **C** for wear, replace seal **D** and assemble again.
5. Assemble the valve assembly again using a new valve seat **E**. Lubricate O-rings **F** before assembly.
6. Fit clip **A** again.



NOTE! Check function of valve with clean water before filling chemicals into the tank.

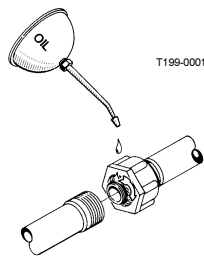
## Nozzle tubes and fittings

Poor seals are usually caused by:

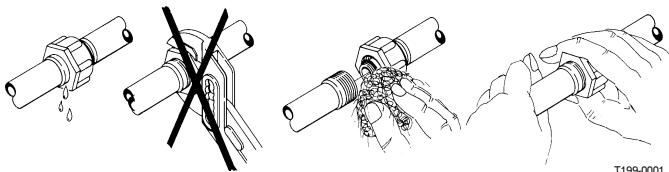
- missing O-rings or gaskets
- damaged or incorrectly seated O-rings
- dry or deformed O-rings or gaskets
- foreign bodies

In case of leaks:

**DO NOT overtighten.** Disassemble, check condition and position of O-ring or gasket. Clean, lubricate and reassemble.

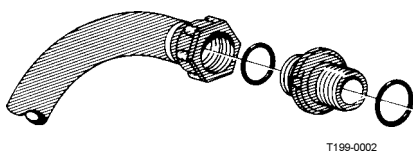


The O-ring must be lubricated **ALL THE WAY ROUND** before fitting on to the nozzle tube. Use non-mineral lubricant.



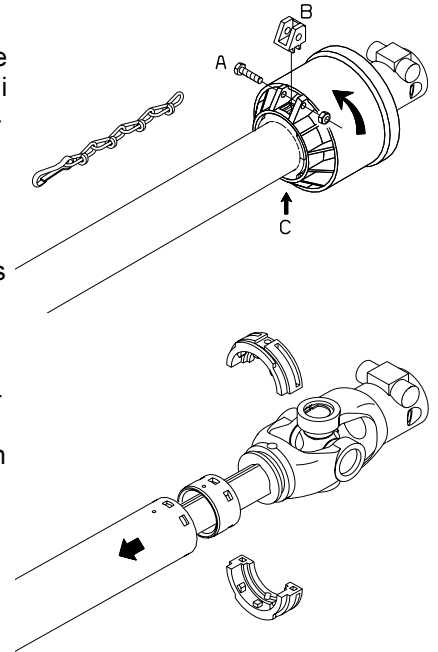
For **RADIAL** connections only hand-tighten them.

For **AXIAL** connections, a little mechanical leverage may be used.



## Replacement of transmission shaft protection guards

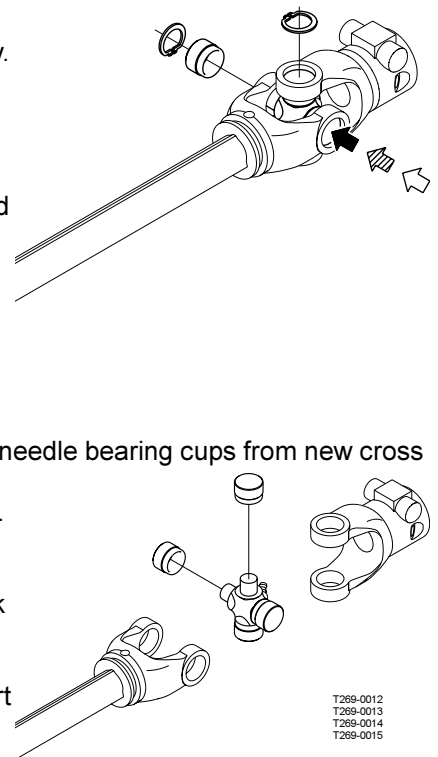
1. Remove bolt **A**, lock **B** and grease nipple **C**. Twist uni CV-joint cover 1/4 turn and pull it backwards.
2. Remove the synthetic bearings and protection tube.
- 2a. Remove inner bush from protection tube.
3. Assemble again in reverse order, using new parts where necessary. Remember to fit chains again.
4. Grease bearings.



NOTE! Only use genuine HARDI spare parts to service the transmission shaft.

## Replacement of transmission shaft cross journals.

1. Remove protection guard as described previously.
2. Remove Seeger circlip rings
3. Press the cross journal sideways - use hammer and mandrel if necessary.
4. Remove needle bearing cups and cross journal can now be removed.
5. Carefully remove needle bearing cups from new cross journal and install it in reverse order. Before fitting the needle bearing cups again, check that needles is placed correctly. Avoid dust and dirt in the new bearings.



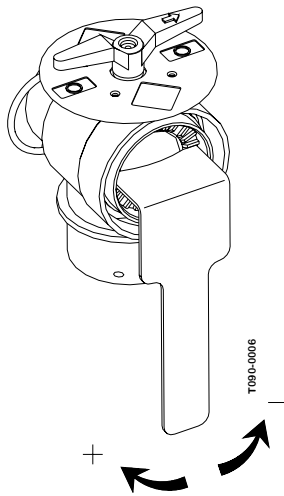
# Maintenance

## Adjustment of 3-way-valve

The MANIFOLD valve can be adjusted if it is too tight to operate - or if it is too loose (= liquid leakage).

Correct setting is when the valve can be operated smoothly by one hand

Use a suitable tool and adjust the toothed ring inside the valve as shown on the drawing.



## To change a bulb

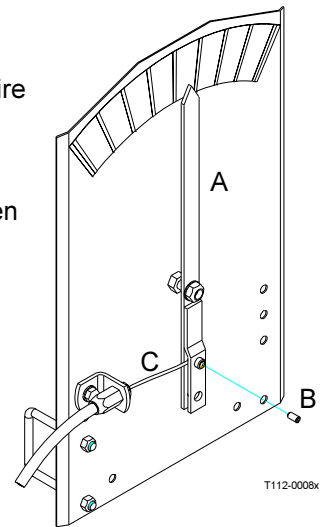
1. Switch off the light
2. Loosen the screws on the lamp and remove the cover or lens.
3. Remove the bulb
4. Fit a new bulb, refit the cover and tighten the screws.

**NOTE!** If halogen bulbs are used, never touch the bulb with the fingers. Natural moisture in the skin will cause the bulb to burn out when the light is switched on. Always use a clean cloth or tissue when handling halogen bulbs.

## Adjustment of slanting indicator

If the position of the pointer on the indicator does not correspond to the actual boom position, the pointer **A** can be adjusted.

1. Loosen the small bolt **B** sufficiently to allow the wire **C** to be adjusted.
2. Place the pointer **A** in correct position and fasten bolt **B** against the wire **C** again.



## Change of bulbs

### Overview of bulbs used.

Rear combi lamp, HELLA		
Function	Bulb type (DIN)	Volt / Watt
Rear lamp	R5W	12V / 5W
Stop lamp	P21W	12V / 21W
Direction indicator	P21W	12V / 21W
Rear combi lamp, GEKA (with warning boards)		
Function	Bulb type (DIN)	Volt / Watt
Rear lamp	R5W	12V / 5W
Stop lamp	P21W	12V / 21W
Direction indicator	P21W	12V / 21W
Position lamp, front	(GEKA)	12V / 5W
Boom and work lamps		
Function	Bulb type (DIN)	Volt / Watt
Boom lamp	H3	12V / 55W
Working lamp	124 98	12V / 21W
Number plate lamp, HELLA		
Function	Bulb type (DIN)	Volt / Watt
Number plate lamp	R10W	12V / 10W
Side marking combi lamp		
Prise out the lens carefully from the rubber housing to remove the bulb.		
Function	Bulb type (DIN)	Volt / Watt
Side marking combi lamp white, red yellow	R5W	12V / 5W

039

# Maintenance

---

## Change of tyre

Should it be necessary to replace tyres, it is recommended to leave this to a specialist and follow the mentioned rules.

1. Always clean and inspect the rim before mounting.
2. Always check that the rim diameter corresponds exactly to the rim diameter moulded on the tyre.
3. Always inspect inside of the tyre for cuts, penetrating objects or other damages. Repairable damages should be repaired before installing the tube. Tyres with unrepairable damages must never be used.
4. Also inspect inside of the tyre for dirt or foreign bodies and remove it before installing the tube.
5. Always use tubes of recommended size and in good condition. When fitting new tyres always fit new tubes.
6. Before mounting, always lubricate both tyre beads and rim flange with approved lubricating agent or equivalent anti-corrosion lubricant. Never use petroleum based greases and oils because they may damage the tyre. Using the appropriate lubricant the tyre will never slip on the rim.
7. Always use specialised tools as recommended by the tyre supplier for mounting the tyres.
8. Make sure that the tyre is centred and the beads are perfectly seated on the rim. Otherwise danger of bead wire tear can occur.
9. Inflate the tyre to 100-130 kPa (14.5-19 p.s.i.) then check whether both beads are seated perfectly on the rim. If any of the beads do not seat correctly, deflate the assembly and re-centre the beads before starting inflation of the tyre. If the beads are seated correctly on the rim at 100-130 kPa inflate the tyre to a maximum of 250 kPa (36 p.s.i.) until they seat perfectly on the rim.
10. Never exceed the maximum mounting pressure moulded on the tyre!
11. After mounting tyres adjust inflation pressure to operation pressure recommended by the tyre manufacturer.
12. Do not use tubes in tubeless tyres.



**WARNING!** Non observance of mounting instructions will result in the bad seating of the tyre on the rim and could cause the tyre to burst leading to serious injury or death!

Never mount or use damaged tyres or rims!

Use of damaged, ruptured, distorted, welded or brazed rim is not allowed!

# Maintenance

## Off-season storage

When the spraying season is over, you should devote some extra time to the sprayer.

If chemical residue is left over in the sprayer for longer periods, it can reduce the life of the individual components.

## Off-season storage program

To preserve the sprayer intact and to protect the components, carry out following off-season storage program.

1. Clean the sprayer completely - inside and outside - as described under "Cleaning of the sprayer". Make sure that all valves, hoses and auxiliary equipment have been cleaned with detergent and flushed with clean water afterwards, so no chemical residue is left in the sprayer.
2. Renew possible damaged seals and repair possible leaks.
3. Empty the sprayer completely and let the pump work for a few minutes. Operate all valves and handles to drain as much water off the spraying circuit as possible. Let the pump run until air is coming out of all nozzles. Remember to drain the rinsing tank also.
4. Pour appr. 50 litre (11 Imp.gal) anti-freeze mixture consisting of 1/3 automotive anti-freeze and 2/3 water into the tank.
5. Engage the pump and operate all valves and functions on the MANIFOLD, operating unit, FILLER etc. allowing the anti-freeze mixture to be distributed around the entire circuit. Open the operating unit main on/off valve and distribution valves so the anti-freeze is sprayed through the nozzles as well. The anti-freeze will also prevent O-rings, seals, diaphragms etc. from drying out.
6. Lubricate all lubricating points according to the lubricating scheme - regardless of intervals stated.
7. When the sprayer is dry, remove rust from possible scratches or damages in the paint and touch up the paint.
8. Remove the glycerine-filled pressure gauges and store them frost free in vertical position.
9. Apply a thin layer of anti-corrosion oil (e.g. SHELL ENSIS FLUID, CASTROL RUSTILLO or similar) on all metal parts. Avoid oil on rubber parts, hoses and tyres.
10. Fold the boom in transport position and relieve pressure from all hydraulic functions.

11. All electric plugs and sockets are to be stored in a dry plastic bag to protect them against damp, dirt and corrosion.
12. Remove the control boxes and the HARDI PILOT control box + display from the tractor, and store them dry and clean (in-house).
13. Wipe hydraulic snap-couplers clean and fit the dust caps.
14. Apply grease on all hydraulic ram piston rods which are not fully retracted in the barrel to protect against corrosion.
15. Chock up the wheels, to prevent moisture damage and deformation of the tyres. Tyre blacking can be applied to the tyre walls to preserve the rubber.
16. Drain air brake tank for condensed water.
17. To protect against dust the sprayer can be covered by a tarpaulin. Ensure ventilation to prevent condensation.

## Preparing the sprayer for use after storage

After a storage period the sprayer should be prepared for the next season the following way:

1. Remove the cover
2. Remove the support from the wheel axle and adjust the tyre pressure.
3. Wipe off the grease from hydraulic ram piston rods.
4. Fit the pressure gauges again. Seal with Teflon tape.
5. Connect the sprayer to the tractor including hydraulics and electric's.
6. Check all hydraulic and electric functions.
7. Empty the tank for remaining anti-freeze.
8. Rinse the entire liquid circuit on the sprayer with clean water.
9. Fill with clean water and check all functions.
10. Check function of brakes. Please note that brake power will be reduced until the rust are worn off the drums. Always brake lightly until the drums are clean.

# Fault-finding

## Operational problems

In cases where breakdowns have occurred, the same factors always seem to be in question:

1. Minor leaks on the suction side of the pump will reduce the pump capacity or stop the suction completely.
2. A clogged suction filter will hinder or prevent suction so that the pump does not operate satisfactorily.
3. Clogged up pressure filters will result in increasing pressure at the pressure gauge but lower pressure at the nozzles.
4. Foreign bodies stuck in the pump valves with the result that these cannot close tightly against the valve seat. This reduces pump efficiency.
5. Poorly reassembled pumps, especially diaphragm covers, will allow the pump to suck air resulting in reduced or no capacity.
6. Hydraulic components that are contaminated with dirt result in rapid wear to the hydraulic system.

Therefore ALWAYS check:

1. Suction, pressure and nozzle filters are clean.
2. Hoses for leaks and cracks, paying particular attention to suction hoses.
3. Gaskets and O-rings are present - and in good condition.
4. Pressure gauge is in good working order. Correct dosage depends on it.
5. Operating unit works properly. Use clean water to check.
6. Hydraulic components are maintained clean.

## TRACKER damping system

FAULT	PROBABLE CAUSE	CONTROL/REMEDY
Sprayer trails unstable	Air pockets in the hydraulic circuit	Prime hydraulic circuit
	Hydraulic circuit leaking	Repair leak, prime
	Pressure relief valve(s) set too low	Adjust pressure relief valves
Rear hydraulic rams are too tight and vehicle continues straight ahead when trying to turn	Insufficient counter weight on front of tractor	Ad ballast on front of tractor
	Pressure relief valve set too high	Adjust pressure relief valves

# Fault-finding

## Liquid system

FAULT	PROBABLE CAUSE	CONTROL/REMEDY
No spray from boom when turned on.	Air leak on suction line.	Check if suction filter O-ring is sealing. Check suction tube and fittings. Check tightness of pump diaphragm and valve covers.
	Air in system.	Fill suction hose with water for initial prime.
	Suction/pressure filters clogged.	Clean filters. Check yellow suction pipe is not obstructed or placed too near the tank bottom.
Lack of pressure.	Incorrect assembly.	Restrictor nozzle in Self-Cleaning Filter not fitted. Safety valve spring for Self-Cleaning Filter not tight. Too little distance between yellow suction pipe and tank bottom.
		Pump valves blocked or worn.
	Defect pressure gauge.	Check for dirt at inlet of gauge.
Pressure dropping.	Filters clogging.	Clean all filters. Fill with cleaner water. If using powders, make sure agitation is on.
	Nozzles worn.	Check flow rate and replace nozzles if it exceeds 10%.
	Tank is air tight.	Check vent is clear.
	Sucking air towards end of tank load.	Lower pump r.p.m.
Pressure increasing	Pressure filters beginning to clog.	Clean all filters.
Formation of foam.	Air is being sucked into system.	Check tightness / gaskets / O-rings of all fittings on suction side.
	Excessive liquid agitation.	Reduce pump r/min. Check safety valve for Self-Cleaning Filter is tight. Ensure returns inside tank are present. Use foam damping additive.
Liquid leaks from bottom of pump.	Damaged diaphragm.	Replace. See Changing of valves and diaphragms.



# Fault-finding

## D.A.H. Hydraulic system

FAULT	PROBABLE CAUSE	CONTROL/REMEDY
No boom movements when activated	insufficient oil pressure	Check oil pressure - min. 130 bar, max. 160 bar.  Check tractor hydraulic oil level
	Insufficient oil supply.	Oil flow must be min. 10 l/min. and max. 90 l/min.  Check tractor hydraulic oil level.
	Blown fuse.	Check / replace fuse in junction box.
	Bad / corroded electrical connections	Check / clean connections, multi plugs etc.
	Insufficient power supply.	Voltage on activated solenoid valve must be more than 8 Volts. Use wires of at least 4 mm <sup>2</sup> for power supply.
	Defect relay / diodes in junction box.	Check relays, diodes and soldering at PCB in junction box
	Clogged restrictors <b>a</b> or <b>b</b> in by-pass block.	Remove and clean restrictors <b>a</b> and <b>b</b> in by-pass block (See hydraulic diagram) Change hydraulic oil + filter
	Wrong polarity.	Check polarity. White pos. (+) Blue neg. (-).
Boom lift raises to max. pos. when tractor hydraulics are engaged	Wrong oil inlet to by-pass block.	Connect hydraulic snap couplers opposite in tractor outlets, or engage spool valve lever in opposite direction
	Back pressure in return line exceeds 20 bar	Connect the return line with free flow to hydraulic oil reservoir.  Divide return line in two and lead return oil back to reservoir via two spool valves.
Oil heats up in Closed Centre systems	By-pass valve <b>0</b> does not close properly	Check / close (screw in) by-pass valve <b>0</b> .
	Internal leaks in flow regulator	Replace flow regulator O-rings and back-up rings. Replace flow regulator.
Individual ram does not move	Clogged restrictor	Dismantle and clean restrictor

# Fault-finding

## (I.A.H.) Hydraulic system

FAULT	PROBABLE CAUSE	CONTROL/REMEDY
Boom slow/eradic.	Air in system	Loosen ram connection and activate hydraulics until oil flow has no air in it (not whitish).
	Regulation valve incorrectly set	Open or close until desired speed is achieved (clockwise = less speed).  Remember oil must be at operating temperature.
	Insufficient hydraulic pressure	Check output pressure of tractor hydraulics. Minimum for sprayer is 130 bar.
	Insufficient amount of oil in tractor reservoir	Check and top up if needed.
Ram not functioning.	Restrictor or regulation valve blocked	Secure boom with "S" hook. Dismantle and clean.

## EVC Operating unit

FAULT	PROBABLE CAUSE	CONTROL/REMEDY
Operating unit not functioning	Blown fuse(s).	Check mechanical function of microswitches. Use cleaning/lubricating agent if the switch does not operate freely.  Check motor. 450-500 milli-Amperes max. Change motor, if over.
	Wrong polarity.	Brown - pos. (+). Blue - neg. (-).
	Valves not closing properly.	Check valve seals for obstructions.  Check microswitch plate position. Loosen screws holding plate a $1/2$ turn.
	No power.	Wrong polarity. Check that brown is pos. (+), Blue is neg. (-).  Check print plate for dry solders or loose connections.  Check fuse holder are tight around fuse.

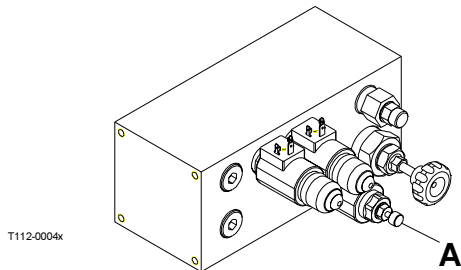
# Fault-finding

## Emergency operation of the sprayer

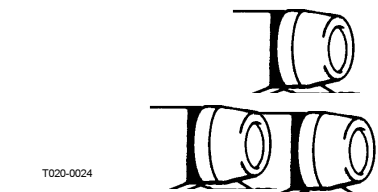
### The boom

In case of power failure, the boom can be operated manually:

1. Put the tractor spool valve control lever in neutral position.
2. Close the cartridge valve **A** on the hydraulic distribution block.



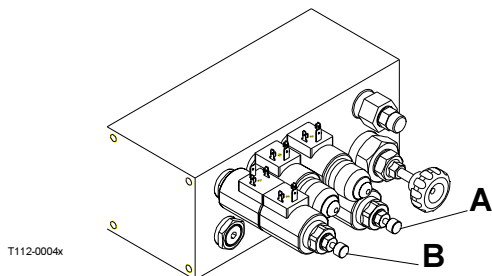
3. Activate the tractor spool valve control lever.
4. The boom can now be operated by pressing the individual buttons on the solenoid valves.



Remember to reset the system to original setting.

### Steering drawbar (if fitted)

1. Put the tractor spool valve control lever in neutral position.
2. Close the cartridge valves **A** and **B** on the hydraulic distribution block.
3. By means of the tractor spool valve control lever, the drawbar can now be centred.



Remember to reset the system to original setting.

### Cause

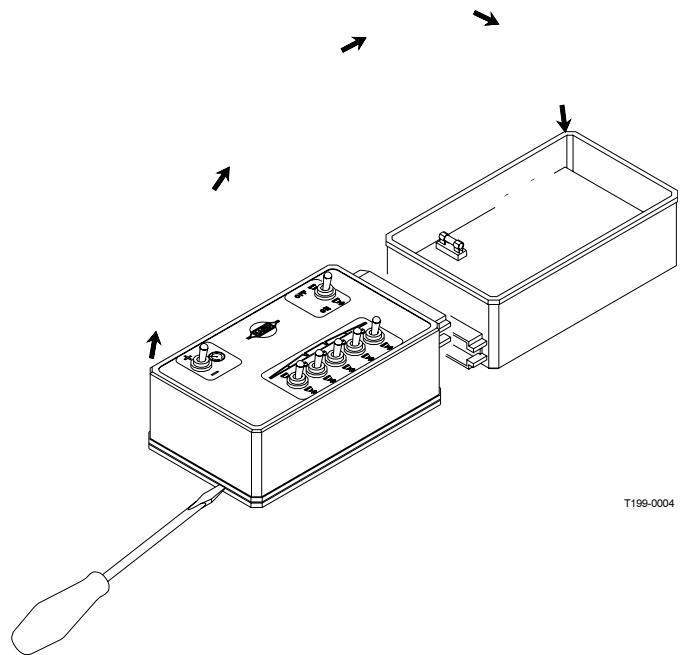
The problem may be due to a blown fuse. One spare fuse is located inside the junction box.

## EC operating unit

In case of power failure it is possible to operate all functions of the operating unit manually. First disconnect the multi plug from the control box. Now manually turn the emergency control knobs.

The problem may be due to a blown fuse. An extra fuse is placed inside the box.

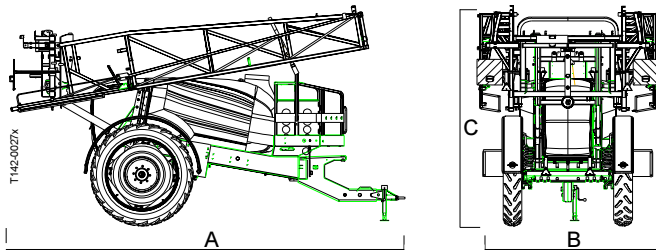
Fuse type: 6.3 A



# Technical specifications

## Technical specifications

### Overall dimensions



CM plus 2200/2800 GVA			
Boom width (m)	A (mm)	B (mm)	C (mm)
24			
27			
28			
30			
32			
36	9470	2850	4020

e 052

CM plus 3200/4200 GVA			
Boom width (m)	A (mm)	B (mm)	C (mm)
24			
27			
28			
30			
32			
36	9470	2850	4020

e 053

All measurements are in mm and are based on machines equipped with wheel size 20.8 x R38.

### Weight

CM plus 2200 GVA						
Boom width (m)	Empty			Full		
	Axle load (kg)	Drawbar load (kg)	Own weight (kg)	Axle load (kg)	Drawbar load (kg)	Total weight (kg)
24						
27						
28						
30						
32						
36						

e 054

CM plus 2200 GVA						
Boom width (m)	Empty			Full		
	Axle load (kg)	Drawbar load (kg)	Own weight (kg)	Axle load (kg)	Drawbar load (kg)	Total weight (kg)
24						
27						
28						
30						
32						
36						

e 055

All weights are approximate values and are based on machines equipped with rinsing tank, clean water tank, HARDI FILLER and suspended axle.

# Technical specifications

## Weight

CM plus 3200 GVA						
	Empty			Full		
Boom width (m)	Axle load (kg)	Drawbar load (kg)	Own weight (kg)	Axle load (kg)	Drawbar load (kg)	Total weight (kg)
24						
27						
28						
30						
32						
36						

e 056

CM plus 4200 GVA						
	Empty			Full		
Boom width (m)	Axle load (kg)	Drawbar load (kg)	Own weight (kg)	Axle load (kg)	Drawbar load (kg)	Total weight (kg)
24						
27						
28						
30						
32						
36						

e 057

All weights are approximate values and are based on machines equipped with rinsing tank, clean water tank, HARDI FILLER and suspended axle.

**For SELF TRACK models the values in above tables must be increased:**

+ 100 kg on Drawbar and Total weights

**For COMMANDER models *without* suspended axle, subtract:**

COMMANDER 2200/2800 - 220 kg (own weight)

COMMANDER 3200/4200 - 250 kg (own weight)

**Ground clearance (under axle):**

COMMANDER 2200/2800 without suspension: appr. 700 mm with suspension: appr. 600 mm

COMMANDER 3200/4200: without suspension: appr. 700 mm with suspension: appr. 750 mm

# Technical specifications

## Pump capacity

### Pump 363/10.0 (540 r.p.m.)

Rotation per min.	200	300	400	500	540	600
bar	Capacity l/min					
0	73	107	141	178	194	211
2	72	105	140	175	189	207
4	71	103	139	172	186	205
6	70	102	138	169	184	203
10	68	100	135	166	182	200
15	66	98	132	164	178	197
Max. pressure: 15 bar		Weight: 52.5 kg		Suction height: 0.0 m		

### Pump 363/5.5 (1000 r.p.m.)

Rotation per min.	200	300	400	500	600	700	800	900	1000
bar	Capacity l/min								
0	-	61	82	103	123	144	164	186	201
2	-	59	79	100	119	140	160	179	191
4	-	58	78	98	117	138	155	176	188
6	-	57	76	96	115	134	153	173	186
10	-	55	74	94	112	130	148	168	180
15	-	53	72	89	108	126	144	163	174
Max. pressure: 15 bar		Weight: 52.6 kg			Suction height: 0.0 m				

### Pump 463/10.0 (540 r.p.m.)

Rotation per min.	200	300	400	500	540	600
bar	Capacity l/min					
0	109	156	207	257	276	305
2	103	152	202	252	270	299
4	101	149	198	246	265	295
6	99	146	195	242	263	289
10	94	142	192	236	256	282
15	91	136	184	230	248	276
Max. pressure: 15 bar		Weight: 66.5 kg		Suction height: 0.0 m		

### Pump 463/5.5 (1000 r.p.m.)

Rotation per min.	200	300	400	500	600	700	800	900	1000
bar	Capacity l/min								
0	61	89	119	148	178	206	233	273	305
2	56	84	113	140	168	197	222	252	278
4	54	82	108	137	162	190	216	244	273
6	52	78	105	131	158	185	211	239	269
10	49	74	100	126	151	178	202	229	257
15	46	70	95	120	145	171	195	219	246
Max. pressure: 15 bar		Weight: 66.5 kg			Suction height: 0.0 m				

# Technical specifications

## Filters and nozzles

### Filter gauze width

30 mesh: 0.58 mm      50 mesh: 0.30 mm  
80 mesh: 0.18 mm      100 mesh: 0.15 mm

## Temperature and pressure ranges

Operating temperature range:  
2° to 40° C. (36°F to 104°F)

Operating pressure for safety valve:  
15 bar (220 psi)

Max. pressure on the pressure manifold:  
20 bar (290 psi)

Max. pressure on the suction manifold:  
7 bar (100 psi)

## Brakes

Max. wear rates on brake components, mm (in):

	2200/2800	3200/4200
Max. drum diameter A	302 (11.8897)	402 (15.8388)
Min. lining thickness B	2.0 (0.07874)	4.0 (0.15748)

### Hydraulic brakes

Max. hydraulic pressure: 150 bar (2176 p.s.i.)

### Air brakes, single line:

Air pressure, relieved brakes: 5.3 - 5.6 bar  
Air pressure drop to activate: 0.8 - 1.3 bar

### Air brakes, dual line

Load apportioning valve pressure settings:

Relieved: 0 bar  
Empty: 1.6 bar (23.2 p.s.i.)  
Half: 3.4 bar (49.3 p.s.i.)  
Full: Air tank pressure

## Materials and recycling

Tank: HDPE  
Hoses: PVC  
Valves: mainly glass-filled PA.  
Fittings: PA

### Disposal of the sprayer

When the equipment has completed its working life, it must be thoroughly cleaned. The tank, hose and synthetic fittings can be incinerated at an authorised disposal plant. The metallic parts can be scrapped. Always follow local legislation regarding disposal.

## Conversion factors, SI to Imperial units

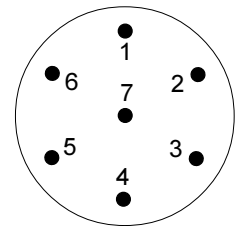
All units used in this manual are SI units. In some occasions Imperial units are used. Use following factors to convert SI units to Imperial units:

	SI unit	Imperial unit	Factor
Weight	kg	lb.	x 2.205
Surface area	ha	acres	x 2.471
Length	cm	in	x 0.394
	m	ft	x 3.281
	m	yd	x 1.094
Velocity	km	mile	x 0.621
	km/h	mile/h	x 0.621
Quantities/area	km/h	m/s	x 0.277
	l/ha	gal (Imp.) /acre	x 0.089
Volume	ml	fl. oz (Imp.)	x 0.0352
	l	Imp. pt.	x 0.568
	l	gal (Imp.)	x 0.22
Pressure	bar	lb./in <sup>2</sup> (p.s.i.)	x 14.504
Temperature	°C	°F	(°C x 1.8) + 32
Power	kW	hp	x 1.341
Torque	Nm	lbft	x 0.74

## Electrical connections

### Rear lights

Position	Wire colour
1. LH direction indicator	Yellow
2. Free	Blue
3. Frame	White
4. RH direction indicator	Green
5. RH rear position lamp	Brown
6. Stop lamps	Red
7. LH rear position lamp	Black



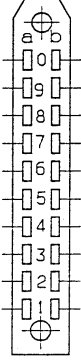
The wiring is in accordance with ISO 1724.

# Technical specifications

## Electrical connections for EVC operating unit

20 poled plug with cable

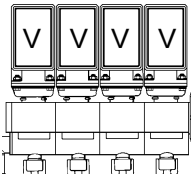
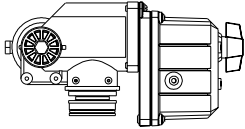
Number of distribution valve										
8	7	6 & 5	4	3 & 2		2 & 3	4	5 & 6	7	8
Wire number or colour code										
8										G/Y
9	9	13	9	9		10	10	14	10	10
	8	G/Y	G/Y	G/Y		11	11	15	G/Y	
7	7								17	17
6	6	1	1				2	2	16	16
5	5	3	3	1		2	4	4	15	15
4	4	5		3		4		6	14	14
3	3	7	5	5		6	6	8	13	13
2	2	9	7				8	10	12	12
1	1	11						12	11	11



T279-0010

G/Y = green/yellow

## EVC

armatur EC 2B(L) T192-0037.dxf

Number of distribution valves				
	2/3/4	5/6	7	8
Valve	Wire number or color code			
V1	1-2	1-2	1-11	1-11
V2	3-4	3-4	2-12	2-12
V3	5-6	5-6	3-13	3-13
V4	7-8	7-8	4-14	4-14
V5		9-10	5-15	5-15
V6		11-12	6-16	6-16
V7			7-17	7-17
REG	9-10	13-14	9-10	9-10
V8	?	?	?	8-G/Y

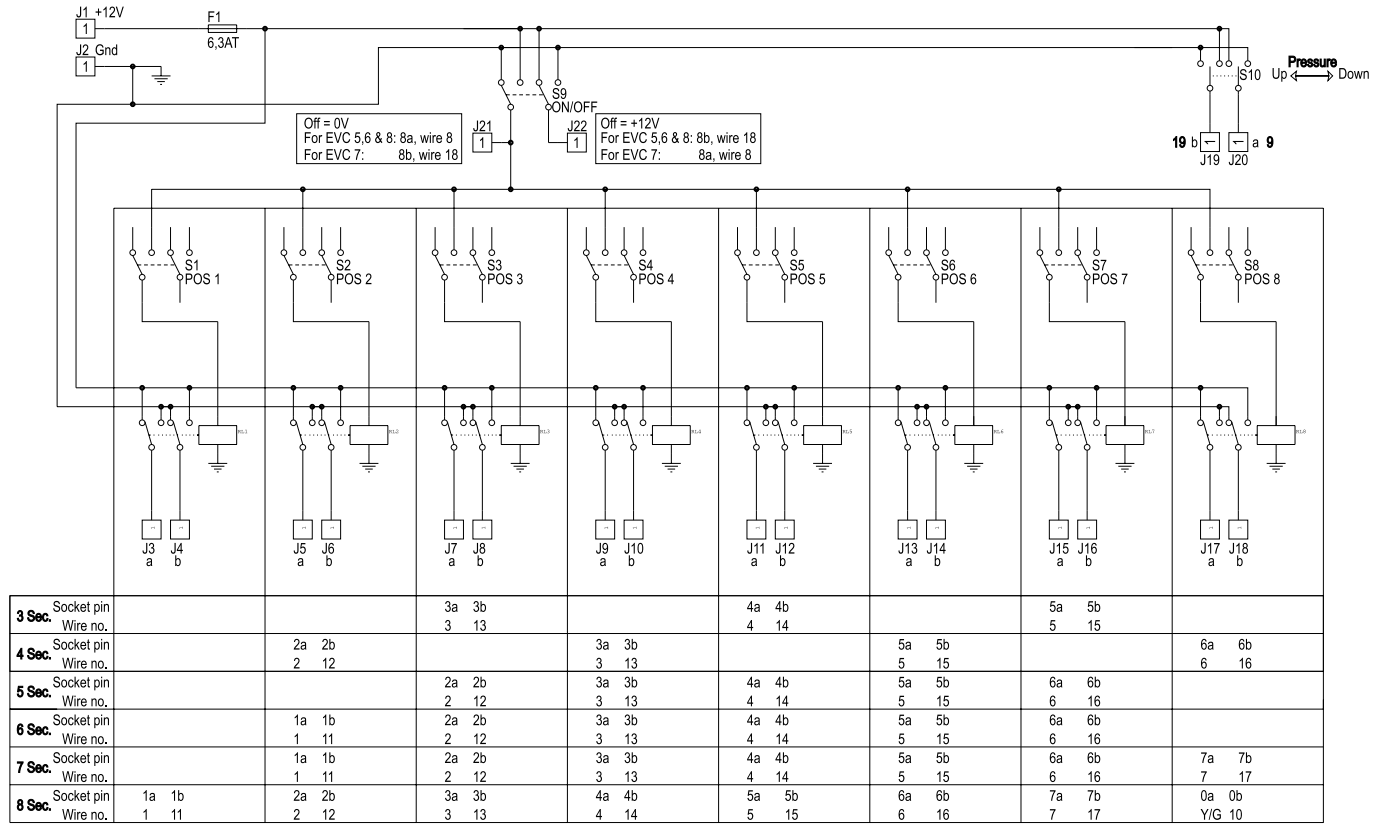
G/Y = Green/Yellow

The EVC operating unit fulfils the EC noise reduction standards.



# Technical specifications

## Electrical chart (EVC)

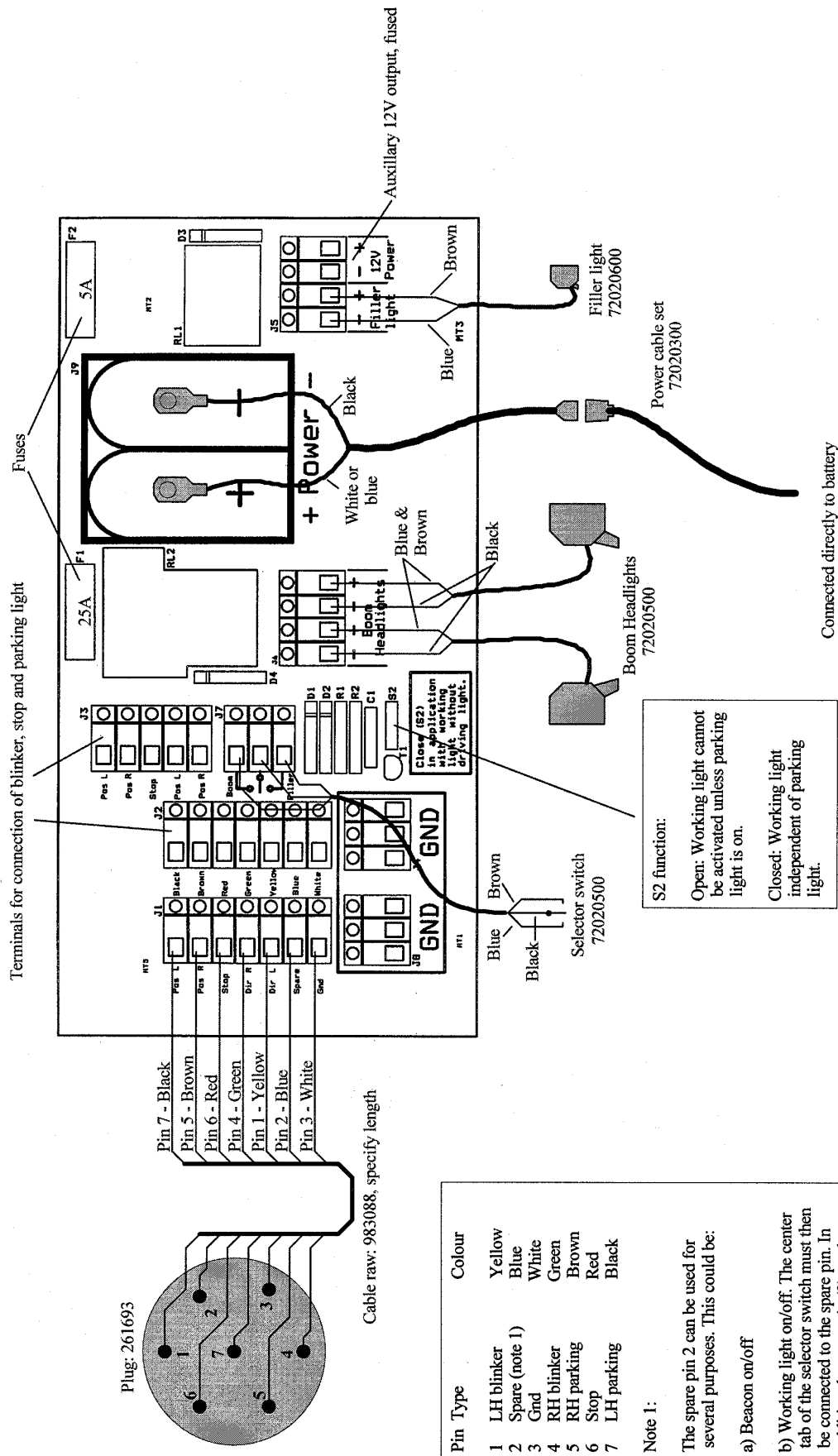


3-8 SECTION EVC CONTROL BOX

T192-0038

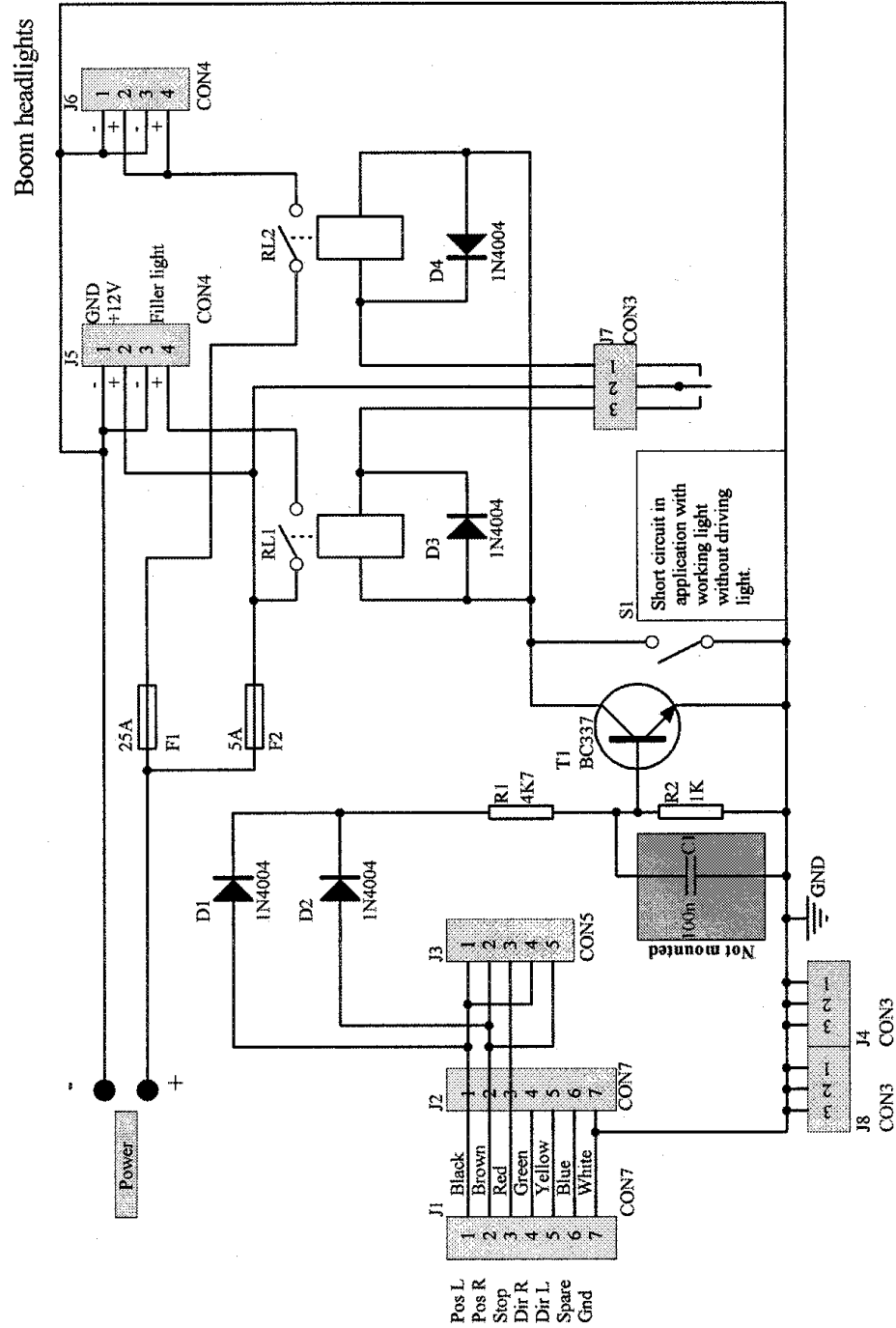
# Technical specifications

## Installation instruction for boom and work light



# Technical specifications

## Electrical specifications for Boom and Work light



T058-0016

## Subject index

### A

Air activated brakes 19  
Air brake filters 58  
Air brakes 55  
Air in system 72  
Emergency operation of the sprayer 75  
Expansion bottle 55, 58

### F

Fast Filling Device 34  
FAULT 73  
Filling 33  
Filling of chemicals. 38  
Filling of water 33  
filter gauze 54  
Filters 7, 37  
fittings 67  
Fixed drawbar 10  
Formation of foam 72  
Formation of foam. 72  
Frame 7  
Front Locker 26  
Fuse 75  
Fuse type 75

### G

Green disc 32

### H

HARDI FILLER 38  
HARDI-MATIC 7  
HCFS 7  
heel bearings 57  
High Capacity Fluid System 7  
Hitch (ISO 5692) 9  
hub flange 16  
Hydraulic activated brakes 19  
Hydraulic brakes 58  
Hydraulic circuit 58  
Hydraulic system 74  
Hydraulic systems 17

### I

Identification plates 7  
Imperial units 79  
In-Line filter 54

### J

junction box 75

### L

Lack of pressure. 72  
Ladder 26  
Large storage Locker 26

Level indicator 67  
lifting points 8  
Liquid chemicals 38  
Liquid leaks 72  
Liquid system 72  
Liquid-filled tyres 21  
Load Sensing 17

### M

Maintenance 44  
MANIFOLD SYSTEM 31  
Max. pressure 79  
Maximum track width 14  
Minimum track width 14  
Mudguard 29  
Multi plug 75

### N

No boom movements 73  
No spray from boom 72  
Nominal contents 7  
Nozzle filters 54  
Nozzle tube 67  
Nozzles 79

### O

O-ring 67  
Off-season storage 70  
Oil heats up 73  
Oil pressure 73  
Operating pressure 79  
Operating temperature 79  
Operating unit 7  
Operational problems 71  
Operator safety 5

### P

P.T.O. shaft 7, 11  
Parking brake 19, 43, 57  
Personal protection 42  
Pesticide washings 44  
Powder chemicals 39  
Power failure 75  
Power supply 18, 73  
Pressure gauge 37  
Pressure increasing 72  
Pressure ranges 79  
Pressure valve 32  
Product Identification Certificate 4  
Protection film 8  
Protection guards 67  
Protective clothing 44  
Pump 7

Pump capacity 78  
Pump valves 64  
PVC sheet 28

## **R**

RADIAL connection 67  
Ram not functioning 74  
Ranges 79  
Rear lights 26, 79  
Recycling 79  
Remote pressure gauge 37  
Replace tyres 69  
Restrictor 37  
Rinsing nozzles 40  
Rinsing tank 35, 40  
Rinsing tank drain valve 42

## **S**

Safe sprayers 44  
Safety valve 71  
Selector switch 27  
SELF TRACK 10, 24  
Self-Cleaning Filter 37, 54  
Shipping package labels 4  
Shock absorbers 66  
SI 79  
Single-line brakes 20  
Small storage Locker 26  
Soap dispenser 27  
Sprayer trails unstable 71  
Spraying circuit 54  
Stability 14, 15  
STEER TRACK 24  
STEERING drawbar 10  
Stop wedges 43  
Strawdivider 28  
Suction Filling Device 34  
Suction filter 54  
Suction valve 32  
Support leg 43  
Suspension 54  
Swivel type 9

## **T**

Tank 7  
Tank drain valve 41  
Tank lid 33  
Technical Residue 41  
Temperature 79  
TRACKER damping system 71  
Transmission shaft 11, 55, 67  
Transmission shaft support 10, 43  
Transport lock 23  
Tyre 69

Tyre pressure 55  
Tyre safety 75

## **U**

Unloading 8

## **W**

WARNING 5  
Wear bush 65  
Wear rates 79  
Wheel bearings 57  
Wheel bolts 55  
Wheel brake cover 28  
Wiring 22  
Working zone 6

## **Z**

Zugmaul 9