



Agroparts: www.HARDI-INTERNATIONAL.com

ESC/TL/TR/HC 300 GALLON SB
26', 33'

Country-Code 11

Date 04.11.2017 13:04

**ESC/TL/TR
300 Gallon
SB 26', 33'**



| main group | page-n° | date | description |
|------------------------------|-----------|----------|--------------------------------|
| Pumps | A0060-HIN | 01:01:16 | PUMP - 600 |
| | A0070-HIN | 01:01:16 | PUMP - 603 |
| | A0080-HIN | 01:01:16 | PUMP - 600 FITTINGS |
| | A0150-HIN | 27:04:17 | PUMP - 1200 W/ MOUNTING BASE |
| | A0160-HIN | 01:01:16 | PUMP - 1202 W/MOUNTING BASE |
| | A0170-HIN | 01:01:16 | PUMP - 1203 W/MOUNTING BASE |
| | A0200-HIN | 01:01:16 | PUMP - 1200/1202/1203 FITTINGS |
| | A0210-HIN | 27:04:17 | PUMP - 1301 W/ MOUNTING BASE |
| | A0220-HIN | 27:04:17 | PUMP - 1302 W/ MOUNTING BASE |
| | A0230-HIN | 01:01:16 | PUMP - 1303 W/ MOUNTING BASE |
| | A0240-HIN | 01:01:16 | PUMP - 1301/1302 FITTINGS |
| | A0250-HIN | 17:03:16 | PUMP - 361 W/MOUNTING BASE |
| | A0260-HIN | 17:03:16 | PUMP - 363 W/MOUNTING BASE |
| | A0270-HIN | 17:03:16 | PUMP - 363/1000 RPM W/MOUNTING |
| | A0280-HIN | 21:02:17 | PUMP - 364 540/1000 RPM |
| | A0310-HIN | 01:01:16 | PUMP - 460 W/MOUNTING BASE |
| | A0320-HIN | 01:01:16 | PUMP - 462 W/MOUNTING BASE |
| | A0330-HIN | 01:01:16 | PUMP - 463 W/ MOUNTING BASE |
| | A0340-HIN | 01:01:16 | PUMP - 463/1000 RPM W/MOUNTING |
| | A0350-HIN | 22:02:16 | PUMP - 464 540/1000 RPM |
| | A0390-HIN | 23:02:16 | PUMP - 460/462/463 FITTINGS |
| | A0420-HIN | 02:05:16 | PUMP-204,206-150,210,310 ACE |
| | A0470-HIN | 01:01:16 | PUMP 9016/9018 HYPRO CENT. |
| | A0480-HIN | 01:01:16 | GEAR DRIVE 1000RPM 361-3/460-3 |
| | A0490-HIN | 01:01:16 | GEAR BOX KIT 1000 RPM |
| | A0510-HIN | 01:01:16 | PTO SHAFTS - BONDIOLI DIAPH. |
| | A0520-HIN | 19:05:16 | PTO SHAFTS - BONDIOLI CENT. |
| | A0580-HIN | 01:01:16 | PTO SHAFTS - AMA DIAPHRAGM |
| Controls, Filters, Valves | B0080-HIN | 30:08:16 | BK-180 MASTER VALVE - MANUAL |
| | B0090-HIN | 30:08:16 | BK-180 MASTER VALVE-MAN.POST94 |
| | B0100-HIN | 01:01:16 | BK-180 BOOM VALVES-MAN.PRE 00 |
| | B0110-HIN | 01:01:16 | BK-180 BOOM VALVES-MAN.POST 00 |
| | B0150-HIN | 01:01:16 | BK-180 REMOTE CONTROL CABLE |
| | B0240-HIN | 01:01:16 | EC-SC F.ESC+TMS-ELEC.RED GRIPS |
| | B0250-HIN | 01:01:16 | EC-SC F.ESC+TMS-ELEC.GRN GRIPS |
| | B0390-HIN | 01:01:16 | CONTROL BOX F/EC+EC-SC |
| | B0400-HIN | 01:01:16 | CONTROL BOX F/EC + ECSC POST96 |
| | B0410-HIN | 01:01:16 | 12 VOLT OUTLET BOX |
| | B0580-HIN | 01:01:16 | PRESSURE RELIEF VALVE |
| | B0650-HIN | 01:01:16 | SELF CLEANING FILTER-SCREW TOP |
| | B0660-HIN | 01:01:16 | TOP SUCTION ASSEMBLY-SCREW CAP |
| | B0690-HIN | 01:01:16 | SUCTION FILTER CENTRIFUGAL |
| Hydraulics | C0010-HIN | 01:01:16 | HYDRAULICS - CYLINDERS |
| | C0030-HIN | 01:01:16 | HYDRAULICS - FAROIL CYLINDERS |
| | C0040-HIN | 07:06:17 | HYDRAULICS - CYLINDERS (07) |
| | C0045-HIN | 24:03:16 | HYDRAULICS - BSP TO ORFS |
| | C0050-HIN | 23:03:16 | HYDRAULICS - SB WING FOLD |
| Booms, Nozzle Bodies & Tubes | D0060-HIN | 01:01:16 | BOOM - SB 20' 26' 33' |
| | D0070-HIN | 01:01:16 | BOOM - SB H-FRAME & CENTER HY |
| | D1000-HIN | 01:01:16 | BOOM-NOZZLES 110° FLAT FAN ISO |
| | D1010-HIN | 01:01:16 | BOOM-NOZZLES 110° LOWDRIFT ISO |
| | D1020-HIN | 01:01:16 | BOOM-NOZZLES 80° FLAT FAN ISO |
| | D1030-HIN | 01:01:16 | BOOM-NOZZLE CAPS AND FILTERS |
| | D1040-HIN | 01:01:16 | BOOM-NOZZLES INJET |



ESC/TL/TR/HC 300 GALLON SB
26' , 33'

Page 0.2

Date 04.11.2017 13:04

| main group | page-n° | date | description |
|--------------------------------|-----------|--------------------------------|---------------------------------|
| Tank and Frame: Field Sprayers | D1050-HIN | 01:01:16 | BOOM-NOZZLES MINIDRIFT |
| | D1060-HIN | 01:01:16 | BOOM-NOZZLES QUINTASTREAM |
| | D1090-HIN | 01:01:16 | NOZZLE BODIES-SNAP FIT |
| | D1100-HIN | 01:01:16 | DOUBLE NOZZLE HOLDER-SNAP FIT |
| | D1110-HIN | 01:01:16 | NOZZLE TUBES & HOLDER-PLASTIC |
| Special equipment, Extras | E0150-HIN | 01:01:16 | TANK - ESC 300/500 |
| | E0160-HIN | 01:01:16 | TANK - TL/TR 300/500 W/BK 180 |
| | E0190-HIN | 01:01:16 | FRAME TL/ESC/TR 300 SA |
| | E0720-HIN | 11:09:17 | HUB ASSEMBLY F.1-3/4" SPINDLE |
| | K0050-HIN | 01:01:16 | CHEM.FILLER-MOUNTING BRACKETS |
| | K0070-HIN | 01:01:16 | CHEM.FILLER-PLUMBING-STANDARD |
| | K0080-HIN | 15:07:16 | CHEM.FILLER-STANDARD-PLUMBING |
| | K0090-HIN | 01:01:16 | CHEMICAL FILLER-HOPPER(PRE95) |
| | K0100-HIN | 01:01:16 | CHEMICAL FILLER-HOPPER(POST95) |
| | K0130-HIN | 01:01:16 | CLEAN WATER TANK |
| | K0180-HIN | 01:01:16 | DRAIN ASSEMBLY-PULL CORD TYPE |
| | K0200-HIN | 01:01:16 | DRN ASMBLY-SCRW TYP TR 300/500 |
| | K0230-HIN | 01:01:16 | END NOZZLE KIT |
| | K0250-HIN | 01:01:16 | ELECTRIC END NOZZLE KIT '09 |
| | K0260-HIN | 01:01:16 | ELECTRIC END NOZZLE KIT '12 |
| K0270-HIN | 28:09:16 | FILTER ASSEMBLIES-IN LINE | |
| K0380-HIN | 17:03:16 | FOAM MARKER COMPRESSOR POST 94 | |
| K0390-HIN | 01:01:16 | FOAM MARKER COMPRESSOR 2002 | |
| K0400-HIN | 01:01:16 | FOAM MARKER COMPRESSOR 2007 | |
| K0430-HIN | 11:04:16 | FOAMMARKER TANK/DROPPER 2000 | |
| K0480-HIN | 01:01:16 | HANDGUN TYPE 60S/60L POST 95 | |
| K0520-HIN | 01:01:16 | HOSE WRAPS | |
| K0560-HIN | 01:01:16 | PRESSURE GAUGES | |
| K0580-HIN | 01:01:16 | QUICKFILL-PLMBNG SYS-TRLR SPYR | |
| K0590-HIN | 01:01:16 | QUICKFILL-UPDATE 97-TRAILER | |
| K0600-HIN | 01:01:16 | QUICKFILL-VALVES-2" | |
| K0670-HIN | 01:01:16 | REMOTE GAUGE-BK 180 & EC | |
| K0680-HIN | 01:01:16 | REMOTE GAUGE-ESC SPRAYERS-4" | |
| K0690-HIN | 01:01:16 | REMOTE GAUGE-MAGNETIC BASE KIT | |
| K0770-HIN | 01:01:16 | SAFETY CHAINS | |
| K0780-HIN | 16:03:17 | SIGHT GAUGE - REMOTE | |
| Fittings | L0010-HIN | 01:01:16 | FITTINGS-CAP NUTS & HOSE BARBS |
| | L0020-HIN | 01:01:16 | FITTINGS-T-PIECES,CAPS & ELBOWS |
| | L0030-HIN | 01:01:16 | FITTINGS - HEXAGON NIPPLES |
| | L0040-HIN | 01:01:16 | FITTINGS - NIPPLES & ELBOWS |
| | L0050-HIN | 01:01:16 | FITTINGS - HOSE CONNECTORS |
| | L0060-HIN | 01:01:16 | FITTINGS - BULKHEAD |
| | L0070-HIN | 13:09:17 | FITTINGS - S-40 |
| | L0080-HIN | 12:09:17 | FITTINGS - S-53 |
| | L0090-HIN | 01:01:16 | FITTINGS - S-56 & S-61 |
| | L0100-HIN | 12:09:17 | FITTINGS - S-67 |
| | L0110-HIN | 13:09:17 | FITTINGS - S-93 |
| | L0120-HIN | 01:01:16 | BULK HOSE |
| | L0130-HIN | 01:01:16 | HOSE CLAMPS |
| Electrical Equipment | M0030-HIN | 01:01:16 | CFX-750 DISPLAY, DGPS |
| | M0040-HIN | 01:01:16 | EZ-GUIDE PLUS LIGHT BAR |
| | M0050-HIN | 01:01:16 | EZ-STEER STEERING SYSTEM |
| | M0060-HIN | 01:01:16 | EZ-GUIDE 500 LIGHTBAR |
| | M0070-HIN | 01:01:16 | EZ-STEER 500 STEERING SYSTEM |



ESC/TL/TR/HC 300 GALLON SB
26', 33'

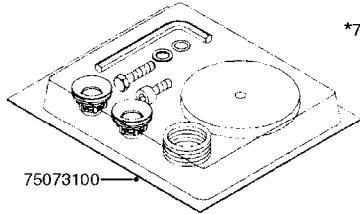
Page 0.3

Date 04.11.2017 13:04

| main group | page-n° | date | description |
|------------|---|--|--|
| | M0080-HIN M0090-HIN M0100-HIN M0120-HIN M0200-HIN M0230-HIN M0280-HIN | 01:01:16 01:01:16 01:01:16 01:01:16 23:06:16 01:01:16 28:03:17 | EZ-GUIDE 250 LIGHTBAR HC 2500/HM1500 DISPLAY/SCANBOX MUSTANG 3500 CONTROLLER TRANSDUCERS AND ACCESSORIES SPRAYBOX II JUNCTION BOX - LIQUID 39 PIN CABLES |

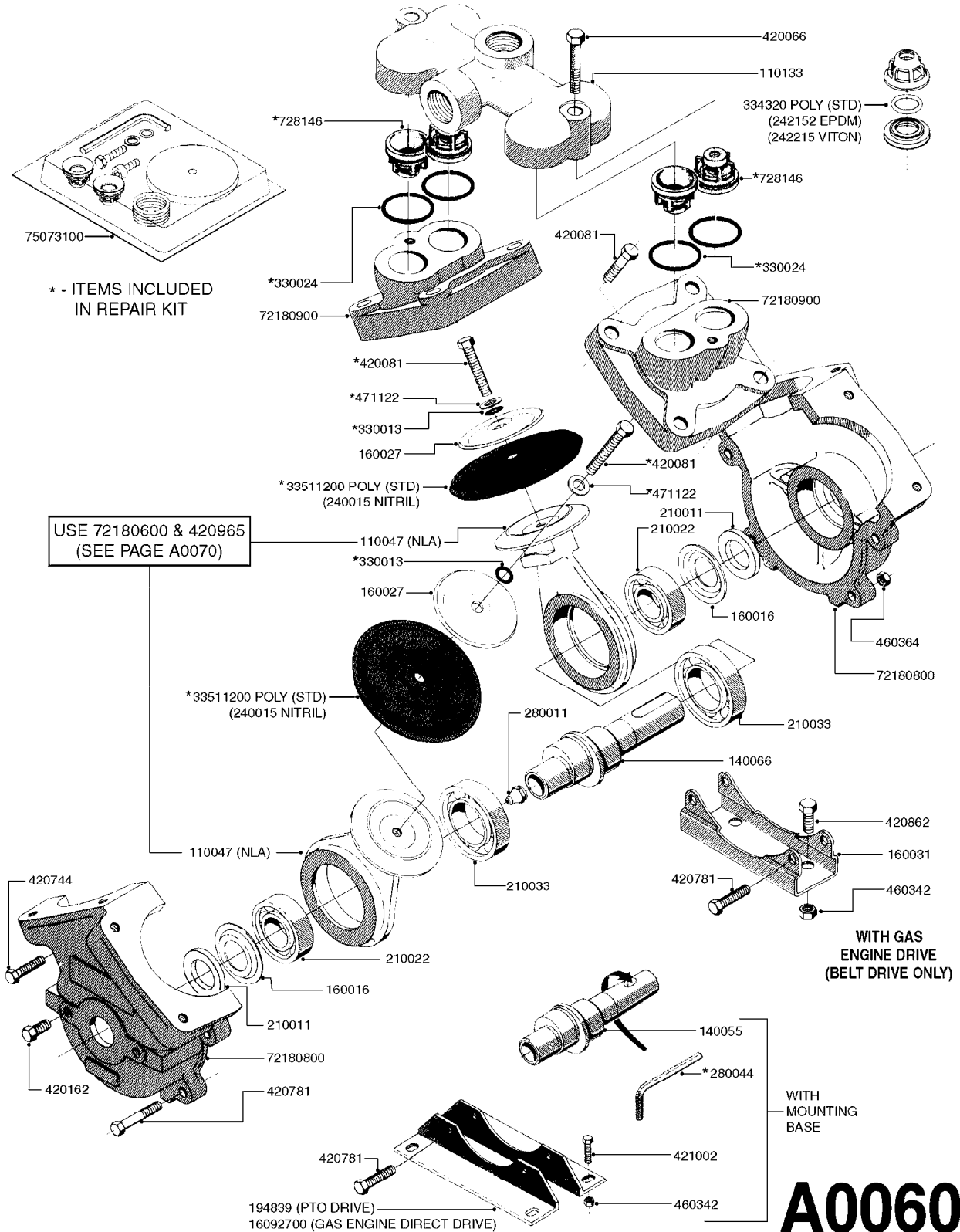


PUMP - 600
A0060-HIN, 01:01:16



* - ITEMS INCLUDED
IN REPAIR KIT

USE 72180600 & 420965
(SEE PAGE A0070)



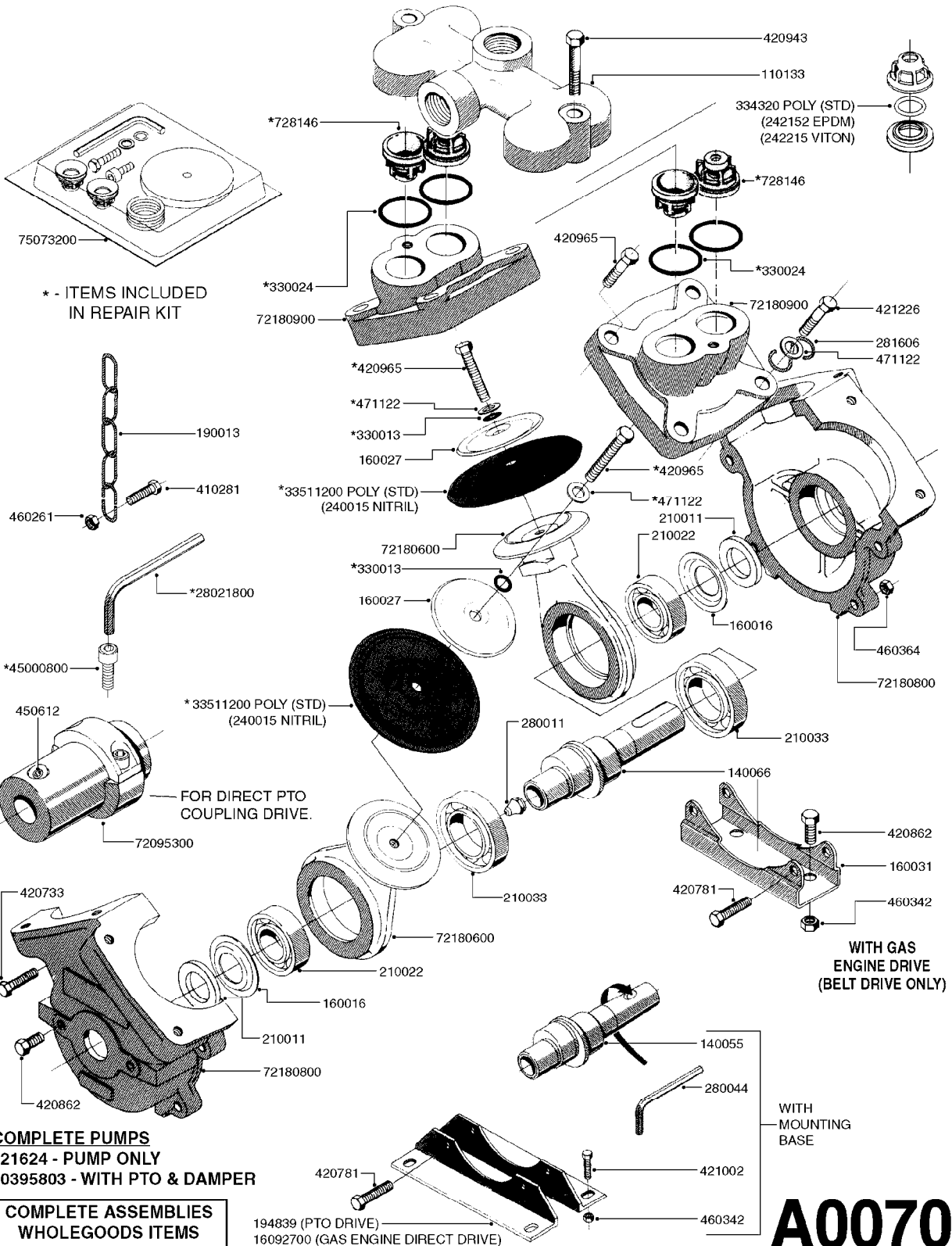
A0060



PUMP - 600
A0060-HIN, 01:01:16

Page 1
Date 04.11.2017 13:04

| parts-n° | order qty | description |
|----------|-----------|-----------------------------------|
| 110047 | 1 | CONN.ROD MOD.500-600 72180600 |
| 110133 | 1 | VALVE CHAMBER MOD 600 PAINTED |
| 140055 | 1 | CRANK SHAFT, MODEL 600 |
| 140066 | 1 | CRANK SHAFT, MODEL 600/4 |
| 160016 | 1 | DUST PLATE |
| 160027 | 1 | DIAPHRAGM UPPER DISC 500-600 |
| 160031 | 1 | BASE PLATE MODEL 500-600 |
| 194839 | 1 | ANGLE IRON FOOT, M 500-600 RED |
| 210011 | 1 | SEAL FELT D39/23 X 4 |
| 210022 | 1 | BEARING BALL 6205 |
| 210033 | 1 | BEARING BALL 6007 |
| 240015 | 1 | DIAPHRAGM MODEL 500-600 NITRIL |
| 242152 | 1 | O-RING D18.2X3 EPDM |
| 242215 | 1 | O-RING D18X3 VITON |
| 280011 | 1 | GREASE NIPPLE 1/8' SAE H TR |
| 280044 | 1 | KEY HEXAGON W6 3/16' |
| 330013 | 1 | O-RING D15/D10X2.5 F.3/8"NUT |
| 330024 | 1 | O-RING D41,1/D34.5 X 3,5 |
| 334320 | 1 | O-RING D18X3 POLYURETHANE |
| 420066 | 1 | BOLT HEX 8.8 DEL 3/8"X50MM |
| 420081 | 1 | BOLT HEX 8.8 DEL 3/8"X40MM |
| 420162 | 1 | BOLT HEX 8.8 DEL 3/8"x15MM |
| 420744 | 1 | SCEW HM 8X40/22 A2 SS DIN931 |
| 420781 | 1 | BOLT HEX 8.8 DEL M8X50 |
| 420862 | 1 | BOLT HEX 8.8 DEL M10X16 FT |
| 420965 | 1 | M10X40 MACHINE SCREW STAINLESS |
| 421002 | 1 | BOLT HEX 8.8 DEL M10X30 FT DIN933 |
| 460342 | 1 | NUT HEX M10 DEL DIN934 |
| 460364 | 1 | NUT HU M8 A2 SS DIN934 |
| 471122 | 1 | WASHER, M10, Ø20/10.5X 2.0, SS |
| 728146 | 1 | VALVE FOR 361(726890/707932) |
| 16092700 | 1 | PUMP MOUNT PLATE TALL 500/600 |
| 33511200 | 1 | DIAPHRAGM 500-603 PUR 2006 |
| 72180600 | 1 | CONNECTING ROD FOR 503-603 M10 |
| 72180800 | 1 | PUMP HOUSING 603 RED W/BOLTS |
| 72180900 | 1 | DIAPHRAGM COVER MOD. 600 |
| 75073100 | 1 | PUMP KIT 600 "06" |



COMPLETE PUMPS
 821624 - PUMP ONLY
 10395803 - WITH PTO & DAMPER

COMPLETE ASSEMBLIES
WHOLEGOODS ITEMS

A0070



PUMP - 603
A0070-HIN, 01:01:16

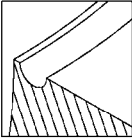
Page 1
Date 04.11.2017 13:04

| parts-n° | order qty | description |
|----------|-----------|-----------------------------------|
| 110133 | 1 | VALVE CHAMBER MOD 600 PAINTED |
| 140055 | 1 | CRANK SHAFT, MODEL 600 |
| 140066 | 1 | CRANK SHAFT, MODEL 600/4 |
| 160016 | 1 | DUST PLATE |
| 160027 | 1 | DIAPHRAGM UPPER DISC 500-600 |
| 160031 | 1 | BASE PLATE MODEL 500-600 |
| 190013 | 1 | CHAIN 35XL=800 |
| 194839 | 1 | ANGLE IRON FOOT, M 500-600 RED |
| 210011 | 1 | SEAL FELT D39/23 X 4 |
| 210022 | 1 | BEARING BALL 6205 |
| 210033 | 1 | BEARING BALL 6007 |
| 240015 | 1 | DIAPHRAGM MODEL 500-600 NITRIL |
| 242152 | 1 | O-RING D18.2X3 EPDM |
| 242215 | 1 | O-RING D18X3 VITON |
| 280011 | 1 | GREASE NIPPLE 1/8' SAE H TR |
| 280044 | 1 | KEY HEXAGON W6 3/16' |
| 281606 | 1 | S-HOOK GALVANIZED |
| 330013 | 1 | O-RING D15/D10X2.5 F.3/8"NUT |
| 330024 | 1 | O-RING D41,1/D34.5 X 3,5 |
| 334320 | 1 | O-RING D18X3 POLYURETHANE |
| 410281 | 1 | BOLT HEX 8.8 DEL M6X25 DIN933 A2 |
| 420733 | 1 | BOLT HEX 8.8 DEL M8X40 |
| 420781 | 1 | BOLT HEX 8.8 DEL M8X50 |
| 420862 | 1 | BOLT HEX 8.8 DEL M10X16 FT |
| 420943 | 1 | BOLT HEX 8.8 DEL M10X50 |
| 420965 | 1 | M10X40 MACHINE SCREW STAINLESS |
| 421002 | 1 | BOLT HEX 8.8 DEL M10X30 FT DIN933 |
| 421226 | 1 | BOLT HEX 8.8 DEL M10X45 |
| 450612 | 1 | SCREW M10X16 POINTED |
| 460261 | 1 | NUT HEX M6X1.00 LOCK DIN985 A2 SS |
| 460342 | 1 | NUT HEX M10 DEL DIN934 |
| 460364 | 1 | NUT HU M8 A2 SS DIN934 |
| 471122 | 1 | WASHER, M10, Ø20/10.5X 2.0, SS |
| 728146 | 1 | VALVE FOR 361(726890/707932) |
| 821624 | 1 | PUMP 603/7 W. FOOT TAPERED SHA |
| 10395803 | 1 | PUMP 603 C/W PTO 540 RPM |
| 16092700 | 1 | PUMP MOUNT PLATE TALL 500/600 |
| 28021800 | 1 | KEY HEXAGON 8MM FOR M10 |
| 33511200 | 1 | DIAPHRAGM 500-603 PUR 2006 |
| 45000800 | 1 | BOLT ROUND M10X25 |
| 72095300 | 1 | COUPLING 1-3/8' X 25, PAINTED |
| 72180600 | 1 | CONNECTING ROD FOR 503-603 M10 |
| 72180800 | 1 | PUMP HOUSING 603 RED W/BOLTS |
| 72180900 | 1 | DIAPHRAGM COVER MOD. 600 |
| 75073200 | 1 | PUMP KIT 603mm 06 |



Housing for Black Diaphragm-

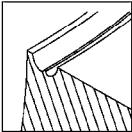
This groove on the lower housing of the Pressure Damper is for the **BLACK** diaphragm (240122). Never upgrade diaphragms to the **YELLOW** style unless you also upgrade Pressure Dampers to the housing style shown below.



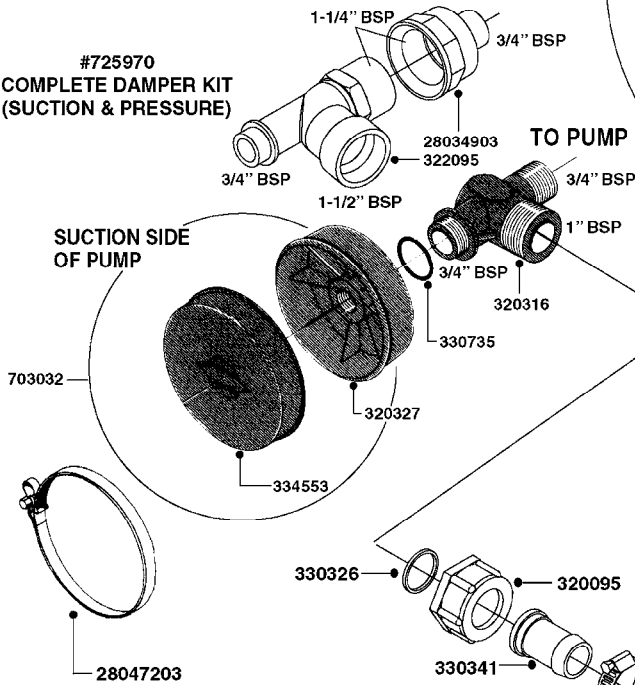
The **YELLOW** style diaphragm will not seal correctly in this housing.

Housing for Yellow Diaphragm-

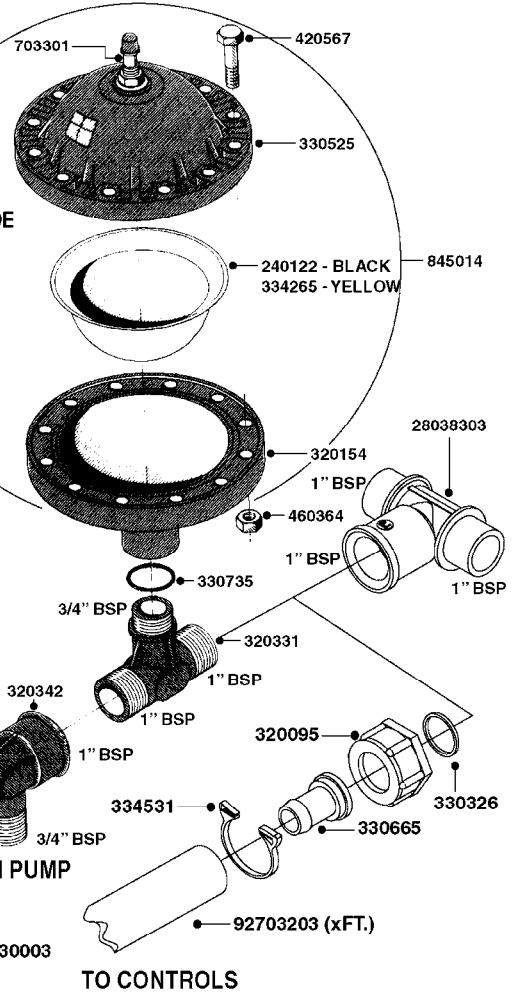
The groove on the lower housing of a the Pressure Damper is recognized by the extra lip on the bottom inside of the groove. For this style Pressure Damper, you need the **YELLOW** diaphragm (334265).



**#725970
COMPLETE DAMPER KIT
(SUCTION & PRESSURE)**



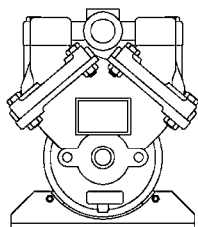
PRESSURE SIDE OF PUMP



FROM PUMP

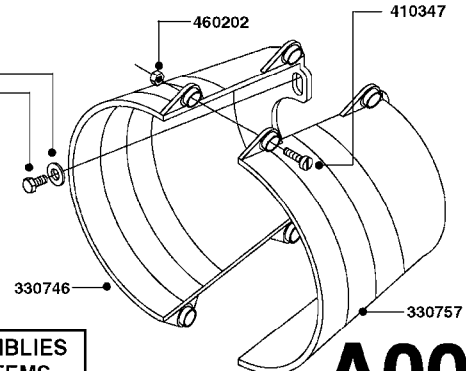
TO CONTROLS

FROM TANK



821623 - 600 WITH COUPLER
821624 - 600 W/ MOUNTING BASE
821625 - 600 GAS DRIVEN - BELT DRIVE

**COMPLETE ASSEMBLIES
WHOLEGOODS ITEMS**



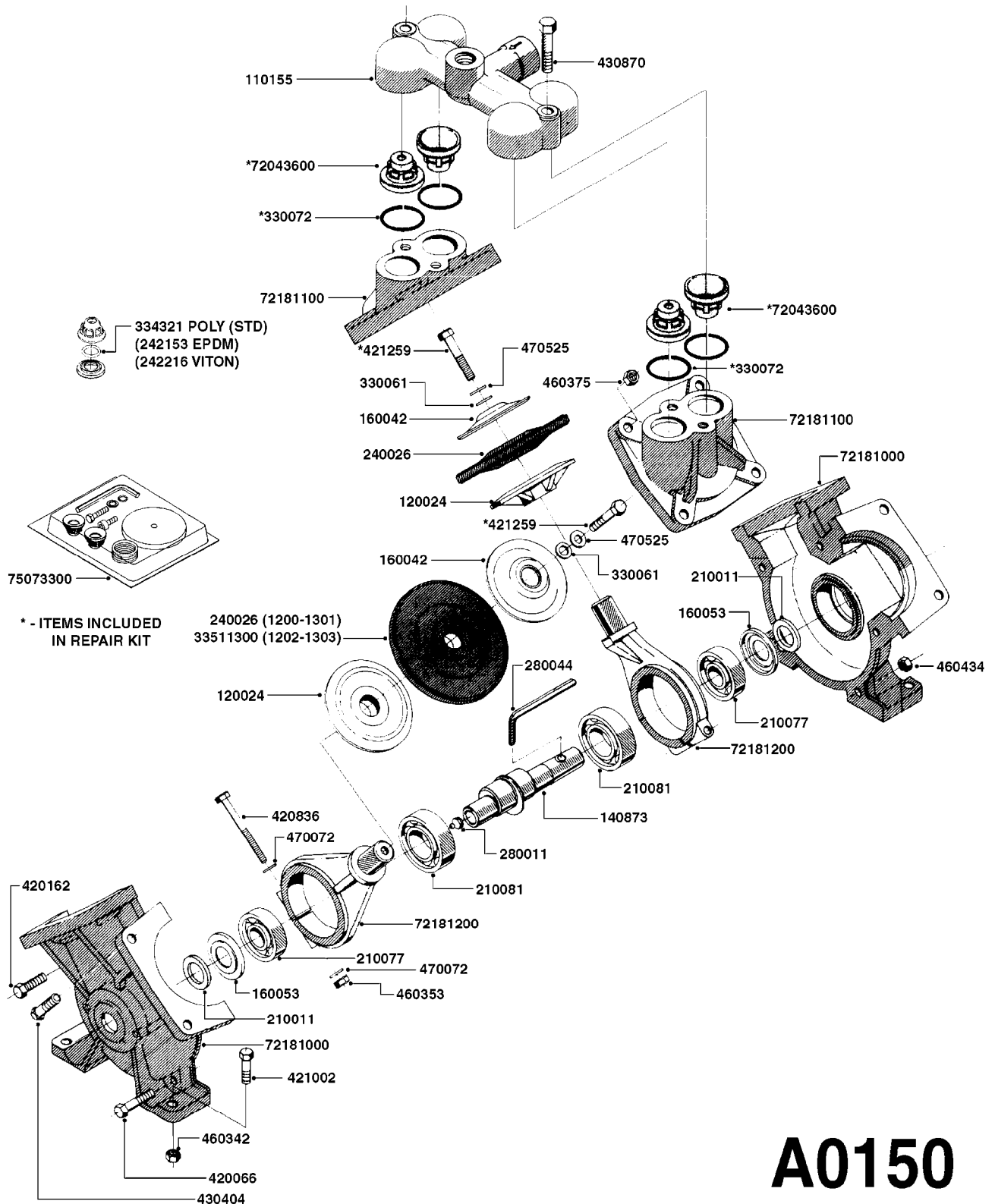
A0080



PUMP - 600 FITTINGS
A0080-HIN, 01:01:16

Page 1
Date 04.11.2017 13:04

| parts-n° | order qty | description |
|----------|-----------|------------------------------------|
| 240122 | 1 | DIAPHRAGM FOR PRES.DAMP.(EPDM) |
| 320095 | 1 | FITT.DK NUT 1" BSP |
| 320154 | 1 | AIR BOTTLE, BOTTOM PART |
| 320316 | 1 | FITT.DK TEE 3/4" X3/4" X1"BSP |
| 320327 | 1 | HOUSING F. SUCTION AIR BOTTLE |
| 320331 | 1 | FITT.DK TEE 1" - 1" - 3/4" BSP |
| 320342 | 1 | FITT.DK EL 3/4"M X 1"F BSP |
| 322095 | 1 | FITT.DK TEE 1-1/2 X1-1/4 X3/4" BSP |
| 330326 | 1 | O-RING D30/D24X2 F.1"NUT |
| 330341 | 1 | FITT.DK HB 1" F. 1" NUT |
| 330525 | 1 | AIR BOTTLE, TOP HALF |
| 330665 | 1 | 3/4' HOSE TAIL F/1' CAP |
| 330735 | 1 | O-RING D30/D26X2 |
| 330746 | 1 | GUARD PTO LOWER PART SHORT |
| 330757 | 1 | GUARD PTO UPPER PART SHORT |
| 334265 | 1 | DIAPHRAGM F. PRESS DAMP.NITRIL |
| 334531 | 1 | CLAMP HOSE PLASTIC 3/4" |
| 334553 | 1 | DIAPHRAGM F.SUCTION AIR BOTTLE |
| 410347 | 1 | SCREW M6X20 8.8 |
| 420162 | 1 | BOLT HEX 8.8 DEL 3/8"x15MM |
| 420567 | 1 | BOLT HEX 8.8 DEL M8X30 FT |
| 460202 | 1 | NUT HEX M6 |
| 460364 | 1 | NUT HU M8 A2 SS DIN934 |
| 471122 | 1 | WASHER, M10, Ø20/10.5X 2.0, SS |
| 703032 | 1 | SUCTION AIR BOTTLE 3/4" COMPL. |
| 703301 | 1 | VALVE FOR AIR BOTTLE |
| 725970 | 1 | DAMPER KIT 600 |
| 821623 | 1 | PUMP 603/7 W COUPLING |
| 821624 | 1 | PUMP 603/7 W. FOOT TAPERED SHA |
| 821625 | 1 | PUMP 603/4 800RPM STRIGHT SHAF |
| 845014 | 1 | AIR BOTTLE COMPLETE HJ73 |
| 28030003 | 1 | CLAMP HOSE GEAR P1" 6716 |
| 28034903 | 1 | FITTING, REDUCER, 1-1/4"-3/4" |
| 28038303 | 1 | FITTING, TEE 2X1"BSPM/1"BSPF |
| 28047203 | 1 | CLAMP HOSE GEAR 60 X 80 6756 |
| 92702403 | 1 | HOSE PVC SUCT GRAY 1" |
| 92703203 | 1 | HOSE R X3/4" X300PSI WP X0012" |

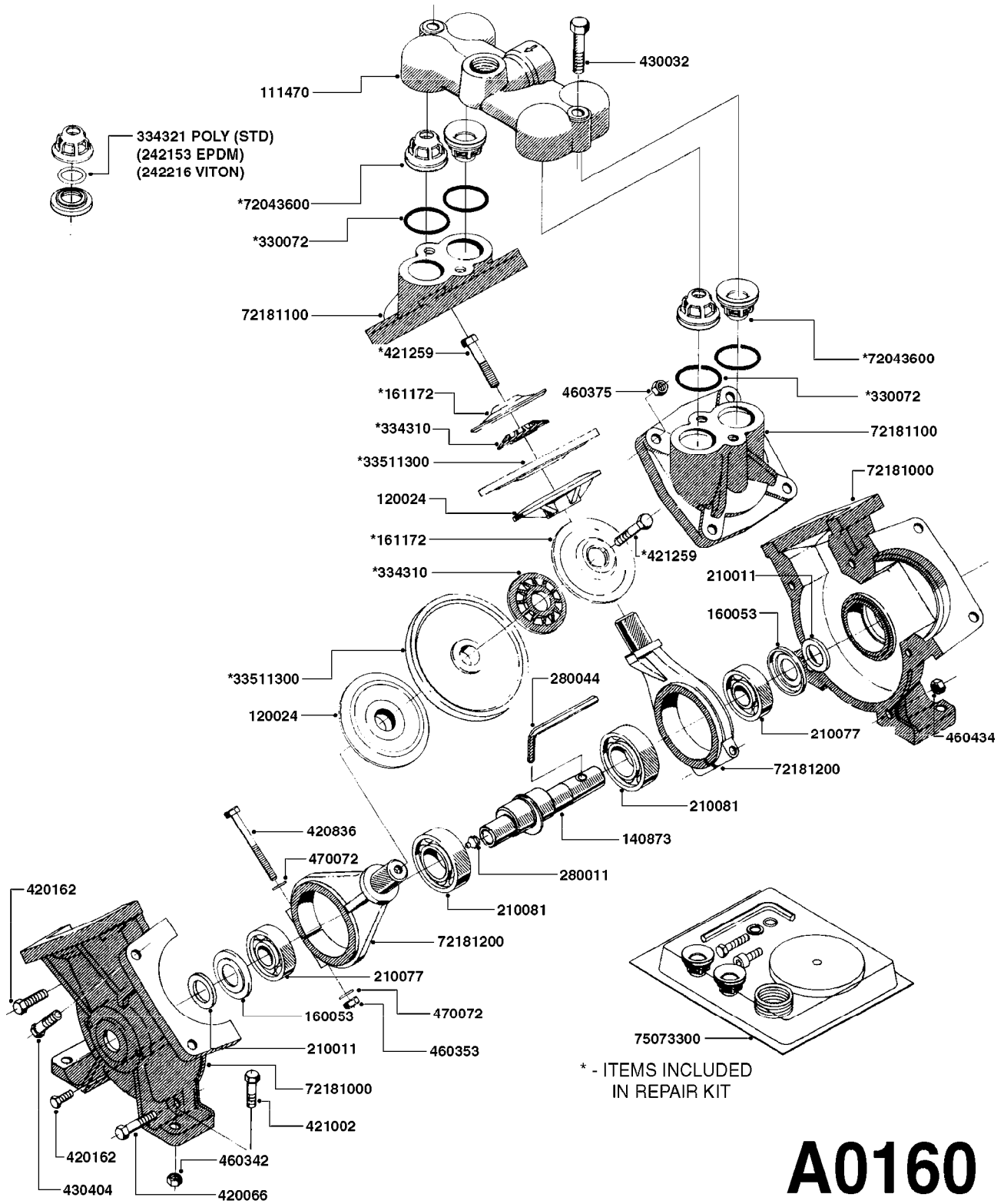




PUMP - 1200 W/ MOUNTING BASE
A0150-HIN, 27:04:17

Page 1
Date 04.11.2017 13:04

| parts-n° | order qty | description |
|----------|-----------|-----------------------------------|
| 110155 | 1 | VALVE CHAMBER F. 1200 PUMP |
| 120024 | 1 | DIAPHRAGM BACK DISC 1200-1300 |
| 140873 | 1 | CRANK SHAFT MODEL 1202-9MM |
| 160042 | 1 | DIAPHRAGM UPPER DISC 1200-1300 |
| 160053 | 1 | DUST PLATE |
| 210011 | 1 | SEAL FELT D39/23 X 4 |
| 210077 | 1 | BEARING BALL 6305 |
| 210081 | 1 | BEARING BALL 6307 |
| 240026 | 1 | DIAPHRAGM MODEL 1200/1301 |
| 242153 | 1 | O-RING D26X4 EPDM |
| 242216 | 1 | O-RING VITON F/1202/1302/462 |
| 280011 | 1 | GREASE NIPPLE 1/8' SAE H TR |
| 280044 | 1 | KEY HEXAGON W6 3/16' |
| 330061 | 1 | O-RING D16/D11X2,5 |
| 330072 | 1 | O-RING D53.5/D45.5X4 |
| 334321 | 1 | O-RING POLY. 34.0x26.0x4.0 |
| 420066 | 1 | BOLT HEX 8.8 DEL 3/8"X50MM |
| 420162 | 1 | BOLT HEX 8.8 DEL 3/8"x15MM |
| 420836 | 1 | BOLT HEX 8.8 RAW M8X85 |
| 421002 | 1 | BOLT HEX 8.8 DEL M10X30 FT DIN933 |
| 421259 | 1 | BOLT HEX UNC7/16"x2.25" 18-8SS |
| 430404 | 1 | BOLT HEX 8.8 DEL M12X50 |
| 430870 | 1 | BOLT HEX 8.8 DEL M12X55 FT |
| 460342 | 1 | NUT HEX M10 DEL DIN934 |
| 460353 | 1 | NUT HEX M8 BLACK |
| 460375 | 1 | NUT HEX M12 BLACK |
| 460434 | 1 | NUT HEX 3/8' NC BLACK |
| 470072 | 1 | WASHER D15/D8X.5 LOCK |
| 470525 | 1 | WASHER D19/D11.5X2.5 |
| 33511300 | 1 | DIAPHRAGM 1202-1303 POLY 2006 |
| 72043600 | 1 | VALVE FOR 462/463 |
| 72181000 | 1 | HOUSING, PUMP, 1203 RED |
| 72181100 | 1 | DIAPHRAGM COVER 1203/1303+BLTS |
| 72181200 | 1 | CONNECTING ROD FOR 1203 W/M12 |
| 75073300 | 1 | PUMP KIT 1200/1202 "06" |



A0160

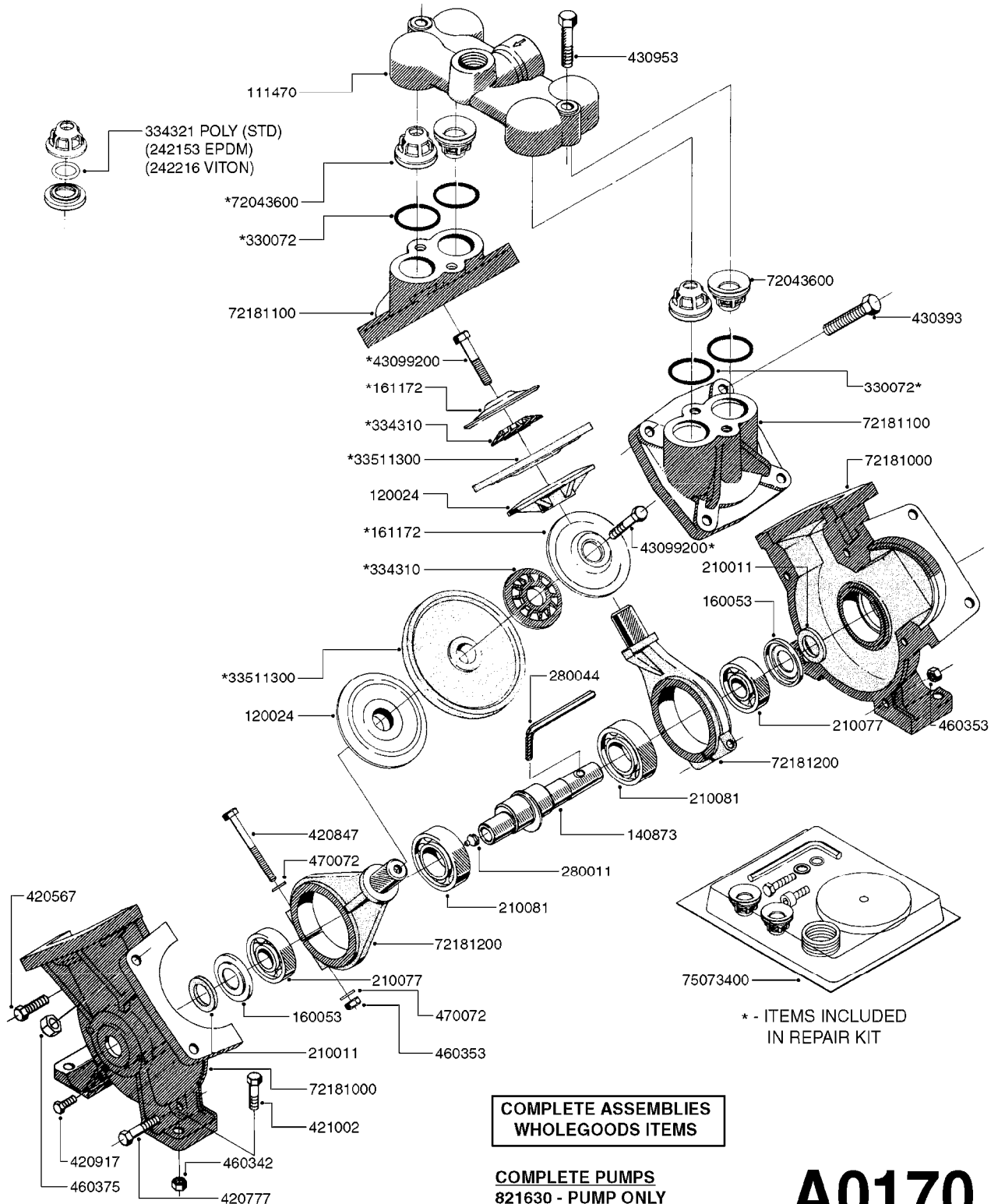


PUMP - 1202 W/MOUNTING BASE
A0160-HIN, 01:01:16

Page 1

Date 04.11.2017 13:04

| parts-n° | order qty | description |
|----------|-----------|-----------------------------------|
| 111470 | 1 | VALVE CHAMBER 1202 |
| 120024 | 1 | DIAPHRAGM BACK DISC 1200-1300 |
| 140873 | 1 | CRANK SHAFT MODEL 1202-9MM |
| 160053 | 1 | DUST PLATE |
| 161172 | 1 | DIAPHRAGM DISC F. 1203/1303 |
| 210011 | 1 | SEAL FELT D39/23 X 4 |
| 210077 | 1 | BEARING BALL 6305 |
| 210081 | 1 | BEARING BALL 6307 |
| 242153 | 1 | O-RING D26X4 EPDM |
| 242216 | 1 | O-RING VITON F/1202/1302/462 |
| 280011 | 1 | GREASE NIPPLE 1/8' SAE H TR |
| 280044 | 1 | KEY HEXAGON W6 3/16' |
| 330072 | 1 | O-RING D53.5/D45.5X4 |
| 334310 | 1 | NYLON WASHER 1202/1302/462 |
| 334321 | 1 | O-RING POLY. 34.0x26.0x4.0 |
| 420066 | 1 | BOLT HEX 8.8 DEL 3/8"X50MM |
| 420162 | 1 | BOLT HEX 8.8 DEL 3/8"x15MM |
| 420836 | 1 | BOLT HEX 8.8 RAW M8X85 |
| 421002 | 1 | BOLT HEX 8.8 DEL M10X30 FT DIN933 |
| 421259 | 1 | BOLT HEX UNC7/16"x2.25" 18-8SS |
| 430032 | 1 | BOLT HEX 8.8 RAW 1/2'X55MM |
| 430404 | 1 | BOLT HEX 8.8 DEL M12X50 |
| 460342 | 1 | NUT HEX M10 DEL DIN934 |
| 460353 | 1 | NUT HEX M8 BLACK |
| 460375 | 1 | NUT HEX M12 BLACK |
| 460434 | 1 | NUT HEX 3/8' NC BLACK |
| 470072 | 1 | WASHER D15/D8X.5 LOCK |
| 33511300 | 1 | DIAPHRAGM 1202-1303 POLY 2006 |
| 72043600 | 1 | VALVE FOR 462/463 |
| 72181000 | 1 | HOUSING, PUMP, 1203 RED |
| 72181100 | 1 | DIAPHRAGM COVER 1203/1303+BLTS |
| 72181200 | 1 | CONNECTING ROD FOR 1203 W/M12 |
| 75073300 | 1 | PUMP KIT 1200/1202 "06" |



COMPLETE ASSEMBLIES
WHOLEGOODS ITEMS

COMPLETE PUMPS
821630 - PUMP ONLY
10396003 - WITH PTO & DAMPER

A0170



PUMP - 1203 W/MOUNTING BASE
A0170-HIN, 01:01:16

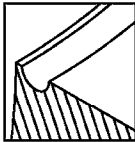
Page 1
Date 04.11.2017 13:04

| parts-n° | order qty | description |
|----------|-----------|-----------------------------------|
| 111470 | 1 | VALVE CHAMBER 1202 |
| 120024 | 1 | DIAPHRAGM BACK DISC 1200-1300 |
| 140873 | 1 | CRANK SHAFT MODEL 1202-9MM |
| 160053 | 1 | DUST PLATE |
| 161172 | 1 | DIAPHRAGM DISC F. 1203/1303 |
| 210011 | 1 | SEAL FELT D39/23 X 4 |
| 210077 | 1 | BEARING BALL 6305 |
| 210081 | 1 | BEARING BALL 6307 |
| 242153 | 1 | O-RING D26X4 EPDM |
| 242216 | 1 | O-RING VITON F/1202/1302/462 |
| 280011 | 1 | GREASE NIPPLE 1/8" SAE H TR |
| 280044 | 1 | KEY HEXAGON W6 3/16" |
| 330072 | 1 | O-RING D53.5/D45.5X4 |
| 334310 | 1 | NYLON WASHER 1202/1302/462 |
| 334321 | 1 | O-RING POLY. 34.0x26.0x4.0 |
| 420567 | 1 | BOLT HEX 8.8 DEL M8X30 FT |
| 420777 | 1 | BOLT HEX 8.8 RAW M8X50 |
| 420847 | 1 | BOLT HEX 8.8 DEL M8X85 |
| 420917 | 1 | BOLT HEX 8.8 RAW M8X12 FT |
| 421002 | 1 | BOLT HEX 8.8 DEL M10X30 FT DIN933 |
| 430393 | 1 | BOLT HEX 8.8 RAW M12X50 |
| 430953 | 1 | BOLT, M12 X 55 8.8 |
| 460342 | 1 | NUT HEX M10 DEL DIN934 |
| 460353 | 1 | NUT HEX M8 BLACK |
| 460375 | 1 | NUT HEX M12 BLACK |
| 470072 | 1 | WASHER D15/D8X.5 LOCK |
| 821630 | 1 | PUMP 1203/9 540RPM |
| 10396003 | 1 | PUMP 1203 C/W PTO 540 RPM |
| 33511300 | 1 | DIAPHRAGM 1202-1303 POLY 2006 |
| 43099200 | 1 | BOLT HEX SS M12 X 30 DIN933 A4 |
| 72043600 | 1 | VALVE FOR 462/463 |
| 72181000 | 1 | HOUSING, PUMP, 1203 RED |
| 72181100 | 1 | DIAPHRAGM COVER 1203/1303+BLTS |
| 72181200 | 1 | CONNECTING ROD FOR 1203 W/M12 |
| 75073400 | 1 | PUMP KIT 1203 MM "06" |



Housing for Black Diaphragm-

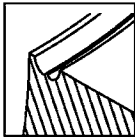
This groove on the lower housing of the Pressure Damper is for the BLACK diaphragm (240122). Never upgrade diaphragms to the YELLOW style unless you also upgrade Pressure Dampers to the housing style shown below.



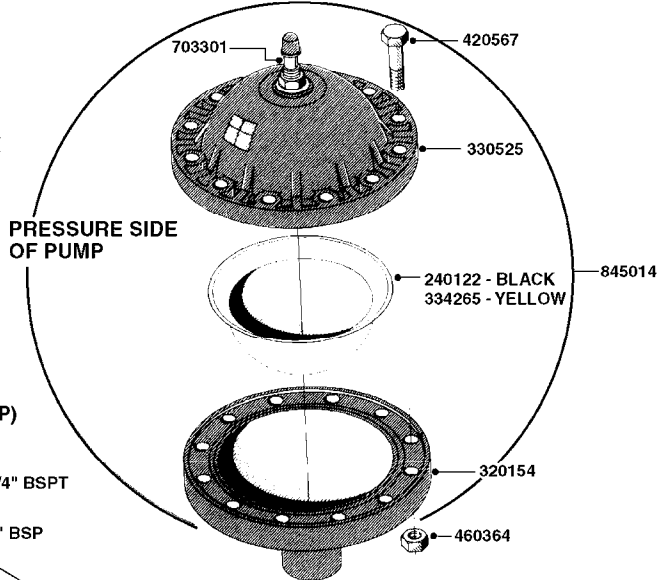
The YELLOW style diaphragm will not seal correctly in this housing.

Housing for Yellow Diaphragm-

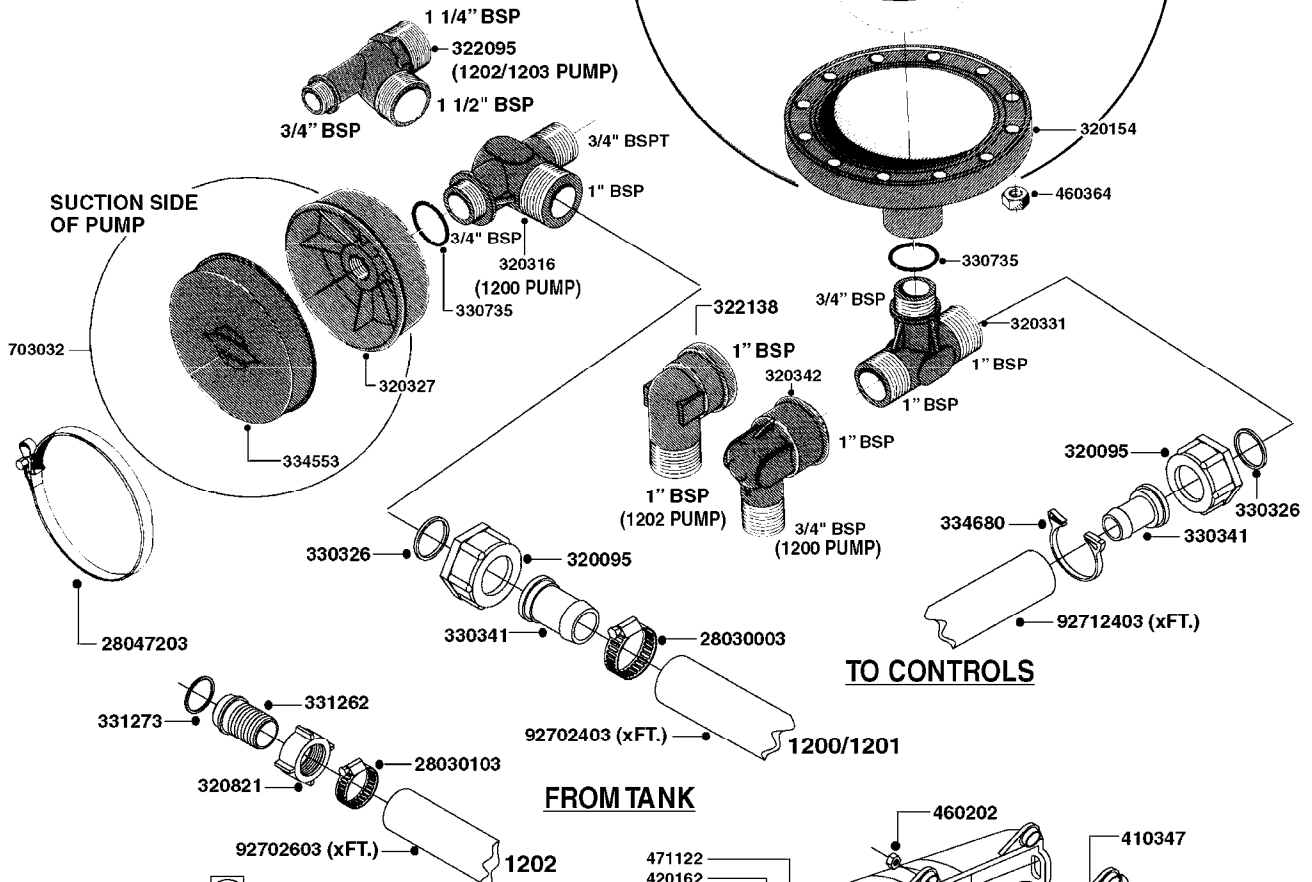
The groove on the lower housing of a the Pressure Damper is recognized by the extra lip on the bottom inside of the groove. For this style Pressure Damper, you need the YELLOW diaphragm (334265).



PRESSURE SIDE OF PUMP



SUCTION SIDE OF PUMP



TO CONTROLS

FROM TANK

#821630 1203 PUMP (REPLACES 1202 PUMP)
#726854 COMPLETE DAMPER KIT (SUCTION & PRESSURE)

COMPLETE ASSEMBLIES
WHOLEGOODS ITEMS

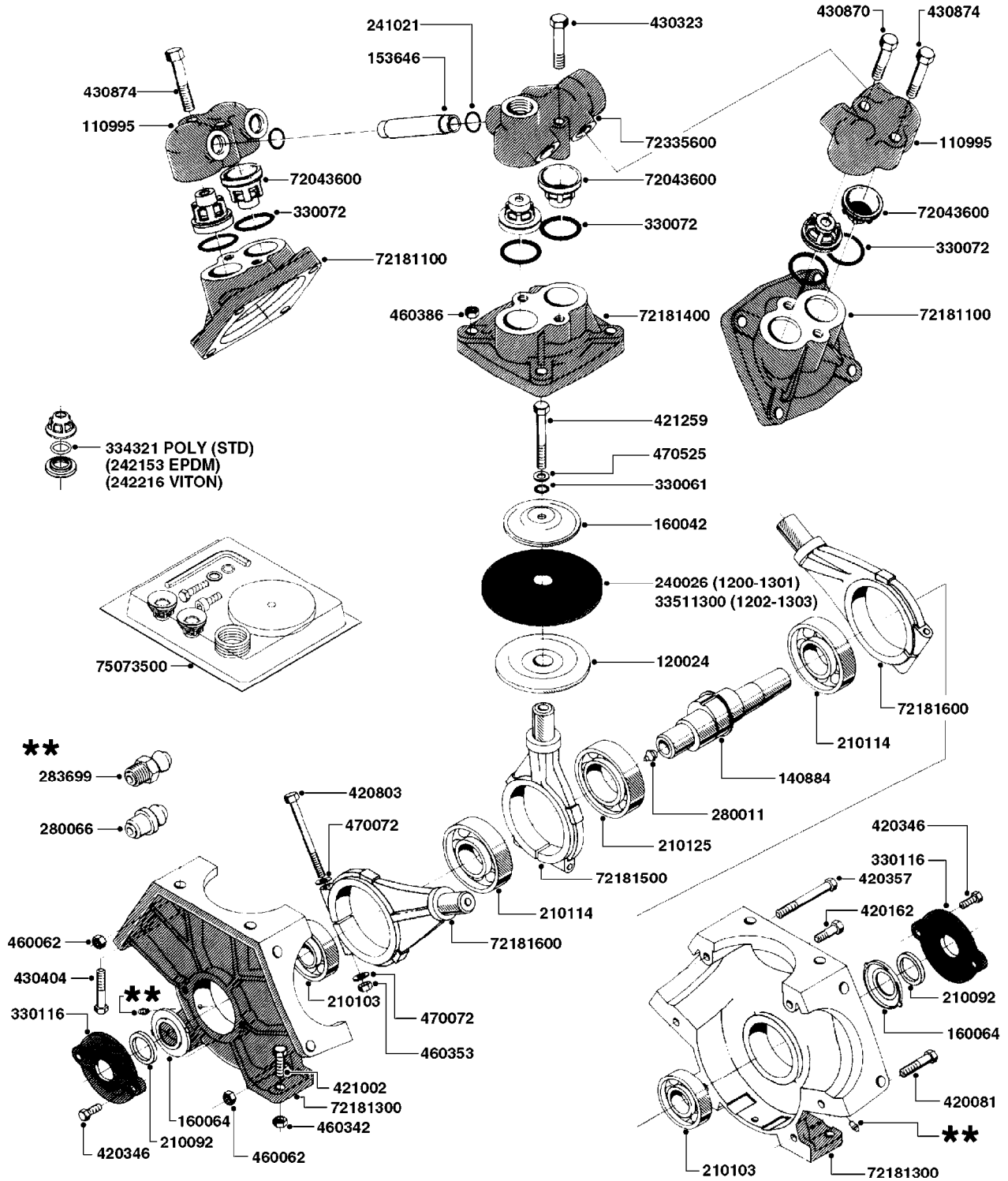
A0200



PUMP - 1200/1202/1203 FITTINGS
A0200-HIN, 01:01:16

Page 1
Date 04.11.2017 13:04

| parts-n° | order qty | description |
|----------|-----------|------------------------------------|
| 240122 | 1 | DIAPHRAGM FOR PRES.DAMP.(EPDM) |
| 320095 | 1 | FITT.DK NUT 1" BSP |
| 320154 | 1 | AIR BOTTLE, BOTTOM PART |
| 320316 | 1 | FITT.DK TEE 3/4" X3/4" X1"BSP |
| 320327 | 1 | HOUSING F. SUCTION AIR BOTTLE |
| 320331 | 1 | FITT.DK TEE 1" - 1" - 3/4" BSP |
| 320342 | 1 | FITT.DK EL 3/4"M X 1"F BSP |
| 320821 | 1 | FITT.DK NUT 1-1/2" BSP |
| 322095 | 1 | FITT.DK TEE 1-1/2 X1-1/4 X3/4" BSP |
| 322138 | 1 | FITT.DK ELB 1"M X 1"F BSP |
| 330326 | 1 | O-RING D30/D24X2 F.1"NUT |
| 330341 | 1 | FITT.DK HB 1" F. 1" NUT |
| 330525 | 1 | AIR BOTTLE, TOP HALF |
| 330735 | 1 | O-RING D30/D26X2 |
| 330746 | 1 | GUARD PTO LOWER PART SHORT |
| 330757 | 1 | GUARD PTO UPPER PART SHORT |
| 331262 | 1 | FITT.DK HB 1-1/2" F. 1-1/2"NUT |
| 331273 | 1 | O-RING D44/D38X2 F.1-1/2" |
| 334265 | 1 | DIAPHRAGM F. PRESS DAMP.NITRIL |
| 334553 | 1 | DIAPHRAGM F.SUCTION AIR BOTTLE |
| 334680 | 1 | CLAMP HOSE PLASTIC 1" |
| 410347 | 1 | SCREW M6X20 8.8 |
| 420162 | 1 | BOLT HEX 8.8 DEL 3/8"x15MM |
| 420567 | 1 | BOLT HEX 8.8 DEL M8X30 FT |
| 460202 | 1 | NUT HEX M6 |
| 460364 | 1 | NUT HU M8 A2 SS DIN934 |
| 471122 | 1 | WASHER, M10, Ø20/10.5X 2.0, SS |
| 703032 | 1 | SUCTION AIR BOTTLE 3/4" COMPL. |
| 703301 | 1 | VALVE FOR AIR BOTTLE |
| 726854 | 1 | DAMPER KIT 1203/1303 |
| 821630 | 1 | PUMP 1203/9 540RPM |
| 845014 | 1 | AIR BOTTLE COMPLETE HJ73 |
| 28030003 | 1 | CLAMP HOSE GEAR P1" 6716 |
| 28030103 | 1 | CLAMP HOSE GEAR P5/4-S1.5"6724 |
| 28047203 | 1 | CLAMP HOSE GEAR 60 X 80 6756 |
| 92702403 | 1 | HOSE PVC SUCT GRAY 1" |
| 92702603 | 1 | HOSE PVC SUCT GRAY 1-1/2" |
| 92712403 | 1 | HOSE R X1" X300PSI WP X0012" |



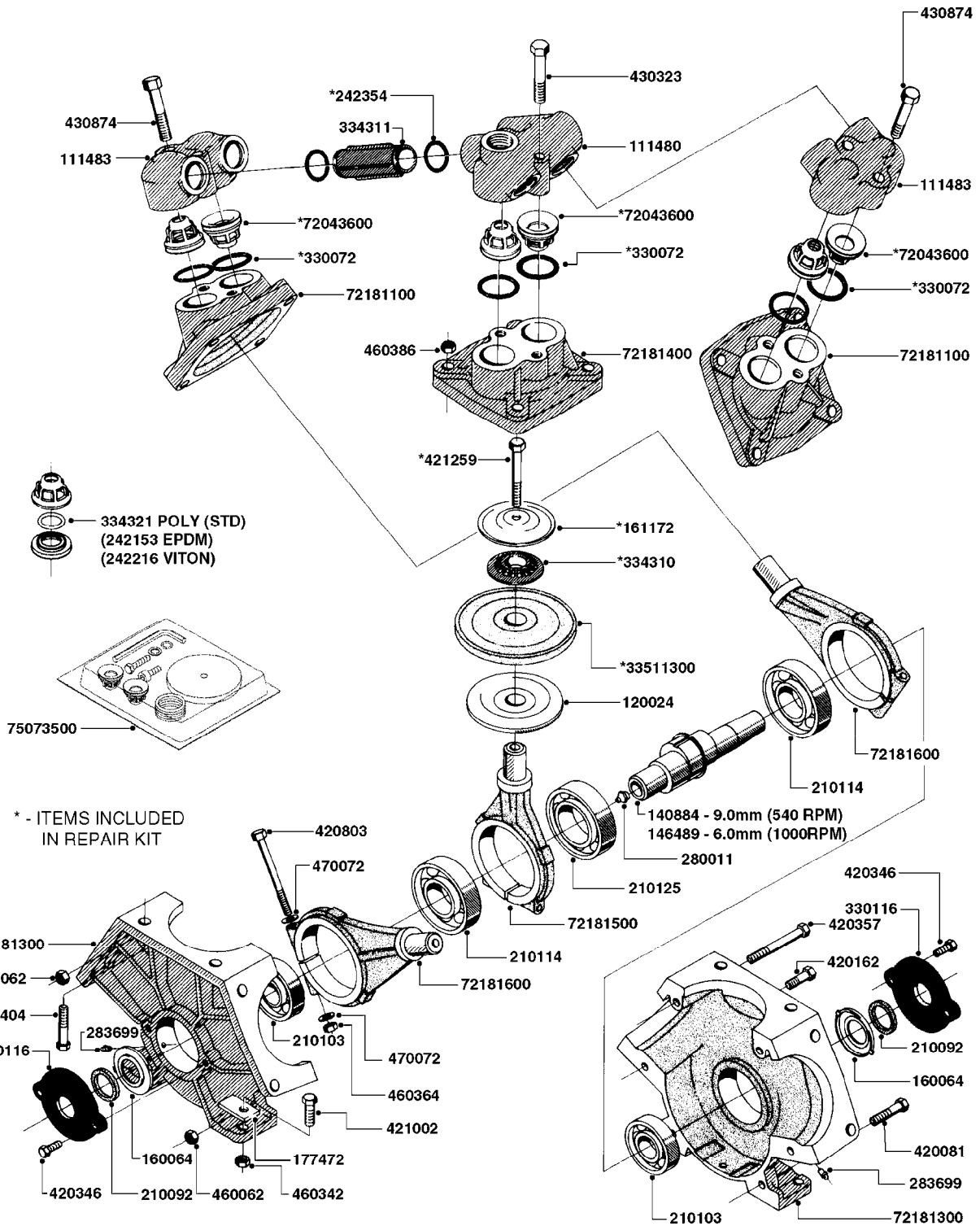
A0210



PUMP - 1301 W/ MOUNTING BASE
A0210-HIN, 27:04:17

Page 1
Date 04.11.2017 13:04

| parts-n° | order qty | description |
|----------|-----------|---|
| 110995 | 1 | VALVE CHAMBER SIDE MODEL 1301 |
| 120024 | 1 | DIAPHRAGM BACK DISC 1200-1300 |
| 140884 | 1 | CRANK SHAFT MODEL 1300-9 |
| 153646 | 1 | CONNECTION PIPE INLET MOD 1301 |
| 160042 | 1 | DIAPHRAGM UPPER DISC 1200-1300 |
| 160064 | 1 | DUST PLATE |
| 210092 | 1 | SEAL FELT D43/30X5 |
| 210103 | 1 | BEARING BALL 6306 |
| 210114 | 1 | BEARING BALL 6308 |
| 210125 | 1 | BEARING BALL 6210 |
| 240026 | 1 | DIAPHRAGM MODEL 1200/1301 |
| 241021 | 1 | O-RING D21,89X2,62 NITRIL |
| 242153 | 1 | O-RING D26X4 EPDM |
| 242216 | 1 | O-RING VITON F/1202/1302/462 |
| 280011 | 1 | GREASE NIPPLE 1/8' SAE H TR |
| 280066 | 1 | GREASE NIPPLE H 1A6 |
| 283699 | 1 | GREASE NIPPLE M6X1 |
| 330061 | 1 | O-RING D16/D11X2,5 |
| 330072 | 1 | O-RING D53.5/D45.5X4 |
| 330116 | 1 | SEAL RETAINER, MODEL 1300 |
| 334321 | 1 | O-RING POLY. 34.0x26.0x4.0 |
| 420081 | 1 | BOLT HEX 8.8 DEL 3/8'X40MM |
| 420162 | 1 | BOLT HEX 8.8 DEL 3/8"x15MM |
| 420346 | 1 | BOLT HEX 8.8 DEL 3/8'X 25MM |
| 420357 | 1 | BOLT HEX 8.8 RAW 3/8'X85MM |
| 420803 | 1 | BOLT HEX 8.8 DEL M8X90 |
| 421002 | 1 | BOLT HEX 8.8 DEL M10X30 FT DIN933 |
| 421259 | 1 | BOLT HEX UNC7/16"x2.25" 18-8SS |
| 430323 | 1 | BOLT HEX 8.8 DEL M12X60 |
| 430404 | 1 | BOLT HEX 8.8 DEL M12X50 |
| 430870 | 1 | BOLT HEX 8.8 DEL M12X55 FT |
| 430874 | 1 | SCREW SET 8.8 DEL M12X70 FT |
| 460062 | 1 | NUT HEX 3/8' GALV. |
| 460342 | 1 | NUT HEX M10 DEL DIN934 |
| 460353 | 1 | NUT HEX M8 BLACK |
| 460386 | 1 | NUT HEX M12X1.75 |
| 470072 | 1 | WASHER D15/D8X.5 LOCK |
| 470525 | 1 | WASHER D19/D11.5X2.5 |
| 33511300 | 1 | DIAPHRAGM 1202-1303 POLY 2006 |
| 72043600 | 1 | VALVE FOR 462/463 |
| 72181100 | 1 | DIAPHRAGM COVER 1203/1303+BLTS |
| 72181300 | 1 | PUMP CASTING 1300 RED W/BOLTS |
| 72181400 | 1 | DIAPHRAGM COVER 1303 W/BOLTS |
| 72181500 | 1 | CONNECTING ROD, CENTER 1303 |
| 72181600 | 1 | CONNECTING ROD, SIDE MOD.1300 |
| 72335600 | 1 | CENTER AND SIDE VALVE CHAMBERS 1302 RED |
| 75073500 | 1 | PUMP KIT 1300/1302 "06" |



A0220

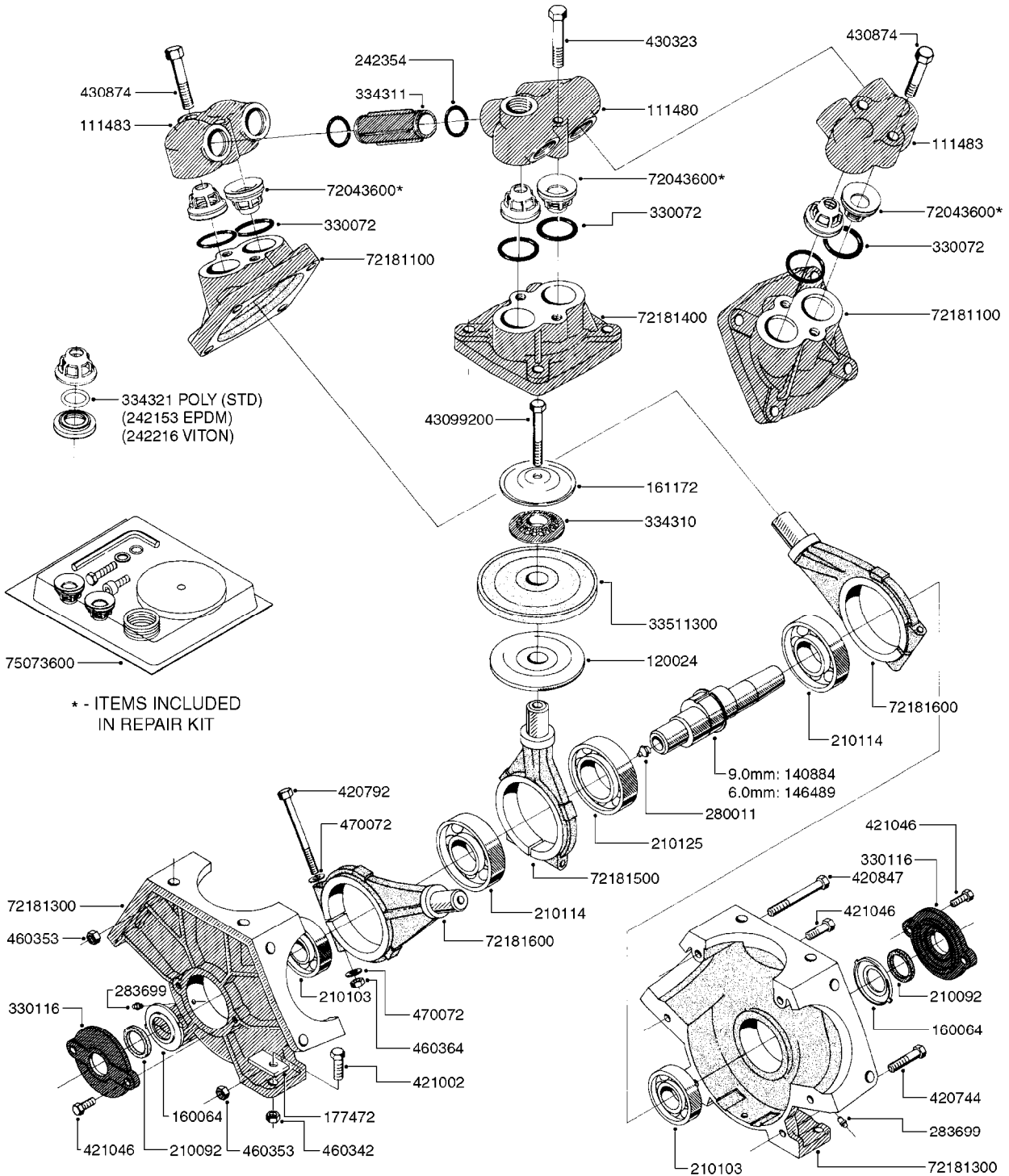


PUMP - 1302 W/ MOUNTING BASE
A0220-HIN, 27:04:17

Page 1

Date 04.11.2017 13:04

| parts-n° | order qty | description |
|----------|-----------|-----------------------------------|
| 111480 | 1 | VALVE HEAD 1302 CENTER |
| 111483 | 1 | VALVE HEAD SIDE 1302 |
| 120024 | 1 | DIAPHRAGM BACK DISC 1200-1300 |
| 140884 | 1 | CRANK SHAFT MODEL 1300-9 |
| 146489 | 1 | CRANK SHAFT MODEL 1302-6MM |
| 160064 | 1 | DUST PLATE |
| 161172 | 1 | DIAPHRAGM DISC F. 1203/1303 |
| 177472 | 1 | BRACKET 25 X 5 |
| 210092 | 1 | SEAL FELT D43/30X5 |
| 210103 | 1 | BEARING BALL 6306 |
| 210114 | 1 | BEARING BALL 6308 |
| 210125 | 1 | BEARING BALL 6210 |
| 242153 | 1 | O-RING D26X4 EPDM |
| 242216 | 1 | O-RING VITON F/1202/1302/462 |
| 242354 | 1 | O-RING D32.2X3.0 VITON F.S-53 |
| 280011 | 1 | GREASE NIPPLE 1/8" SAE H TR |
| 283699 | 1 | GREASE NIPPLE M6X1 |
| 330072 | 1 | O-RING D53.5/D45.5X4 |
| 330116 | 1 | SEAL RETAINER, MODEL 1300 |
| 334310 | 1 | NYLON WASHER 1202/1302/462 |
| 334311 | 1 | CONNECTION PIPE INLET MOD.1302 |
| 334321 | 1 | O-RING POLY. 34.0x26.0x4.0 |
| 420081 | 1 | BOLT HEX 8.8 DEL 3/8"X40MM |
| 420162 | 1 | BOLT HEX 8.8 DEL 3/8"X15MM |
| 420346 | 1 | BOLT HEX 8.8 DEL 3/8"X 25MM |
| 420357 | 1 | BOLT HEX 8.8 RAW 3/8"X85MM |
| 420803 | 1 | BOLT HEX 8.8 DEL M8X90 |
| 421002 | 1 | BOLT HEX 8.8 DEL M10X30 FT DIN933 |
| 421259 | 1 | BOLT HEX UNC7/16"x2.25" 18-8SS |
| 430323 | 1 | BOLT HEX 8.8 DEL M12X60 |
| 430404 | 1 | BOLT HEX 8.8 DEL M12X50 |
| 430874 | 1 | SCREW SET 8.8 DEL M12X70 FT |
| 460062 | 1 | NUT HEX 3/8" GALV. |
| 460342 | 1 | NUT HEX M10 DEL DIN934 |
| 460364 | 1 | NUT HU M8 A2 SS DIN934 |
| 460386 | 1 | NUT HEX M12X1.75 |
| 470072 | 1 | WASHER D15/D8X.5 LOCK |
| 33511300 | 1 | DIAPHRAGM 1202-1303 POLY 2006 |
| 72043600 | 1 | VALVE FOR 462/463 |
| 72181100 | 1 | DIAPHRAGM COVER 1203/1303+BLTS |
| 72181300 | 1 | PUMP CASTING 1300 RED W/BOLTS |
| 72181400 | 1 | DIAPHRAGM COVER 1303 W/BOLTS |
| 72181500 | 1 | CONNECTING ROD, CENTER 1303 |
| 72181600 | 1 | CONNECTING ROD, SIDE MOD.1300 |
| 75073500 | 1 | PUMP KIT 1300/1302 "06" |



COMPLETE PUMPS
821635 - PUMP ONLY
10396203 - WITH PTO & DAMPER

COMPLETE ASSEMBLIES
WHOLEGOODS ITEMS

A0230



PUMP - 1303 W/ MOUNTING BASE
A0230-HIN, 01:01:16

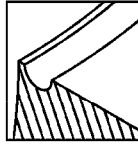
Page 1
Date 04.11.2017 13:04

| parts-n° | order qty | description |
|----------|-----------|-----------------------------------|
| 111480 | 1 | VALVE HEAD 1302 CENTER |
| 111483 | 1 | VALVE HEAD SIDE 1302 |
| 120024 | 1 | DIAPHRAGM BACK DISC 1200-1300 |
| 140884 | 1 | CRANK SHAFT MODEL 1300-9 |
| 146489 | 1 | CRANK SHAFT MODEL 1302-6MM |
| 160064 | 1 | DUST PLATE |
| 161172 | 1 | DIAPHRAGM DISC F. 1203/1303 |
| 177472 | 1 | BRACKET 25 X 5 |
| 210092 | 1 | SEAL FELT D43/30X5 |
| 210103 | 1 | BEARING BALL 6306 |
| 210114 | 1 | BEARING BALL 6308 |
| 210125 | 1 | BEARING BALL 6210 |
| 242153 | 1 | O-RING D26X4 EPDM |
| 242216 | 1 | O-RING VITON F/1202/1302/462 |
| 242354 | 1 | O-RING D32.2X3.0 VITON F.S-53 |
| 280011 | 1 | GREASE NIPPLE 1/8" SAE H TR |
| 283699 | 1 | GREASE NIPPLE M6X1 |
| 330072 | 1 | O-RING D53.5/D45.5X4 |
| 330116 | 1 | SEAL RETAINER, MODEL 1300 |
| 334310 | 1 | NYLON WASHER 1202/1302/462 |
| 334311 | 1 | CONNECTION PIPE INLET MOD.1302 |
| 334321 | 1 | O-RING POLY. 34.0x26.0x4.0 |
| 420744 | 1 | SCEW HM 8X40/22 A2 SS DIN931 |
| 420792 | 1 | BOLT HEX 8.8 RAW M8X95 |
| 420847 | 1 | BOLT HEX 8.8 DEL M8X85 |
| 421002 | 1 | BOLT HEX 8.8 DEL M10X30 FT DIN933 |
| 421046 | 1 | SCREW HEX M8X25/25 A2 SS DIN933 |
| 430323 | 1 | BOLT HEX 8.8 DEL M12X60 |
| 430874 | 1 | SCREW SET 8.8 DEL M12X70 FT |
| 460342 | 1 | NUT HEX M10 DEL DIN934 |
| 460353 | 1 | NUT HEX M8 BLACK |
| 460364 | 1 | NUT HU M8 A2 SS DIN934 |
| 470072 | 1 | WASHER D15/D8X.5 LOCK |
| 821635 | 1 | PUMP 1303/9 540RPM |
| 10396203 | 1 | PUMP 1303 C/W PTO 540 RPM |
| 33511300 | 1 | DIAPHRAGM 1202-1303 POLY 2006 |
| 43099200 | 1 | BOLT HEX SS M12 X 30 DIN933 A4 |
| 72043600 | 1 | VALVE FOR 462/463 |
| 72181100 | 1 | DIAPHRAGM COVER 1203/1303+BLTS |
| 72181300 | 1 | PUMP CASTING 1300 RED W/BOLTS |
| 72181400 | 1 | DIAPHRAGM COVER 1303 W/BOLTS |
| 72181500 | 1 | CONNECTING ROD, CENTER 1303 |
| 72181600 | 1 | CONNECTING ROD, SIDE MOD.1300 |
| 75073600 | 1 | PUMP KIT 1303 MM "06" |



Housing for Black Diaphragm:

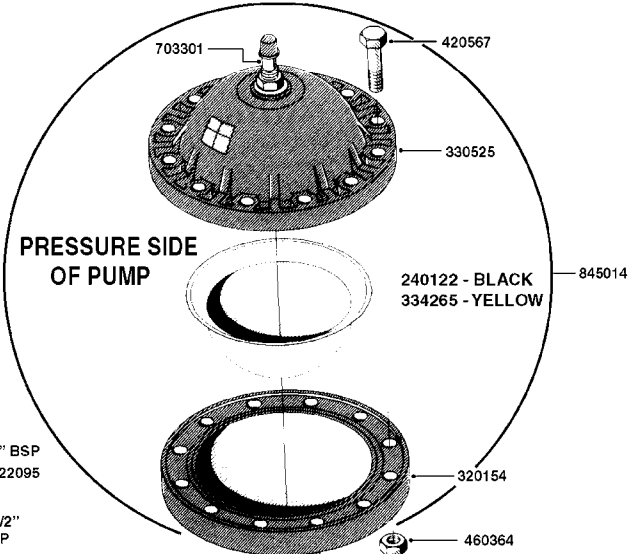
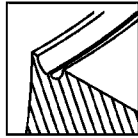
This groove on the lower housing of the Pressure Damper is for the BLACK diaphragm (240122). Never upgrade diaphragms to the YELLOW style unless you also upgrade Pressure Dampers to the housing style shown below.



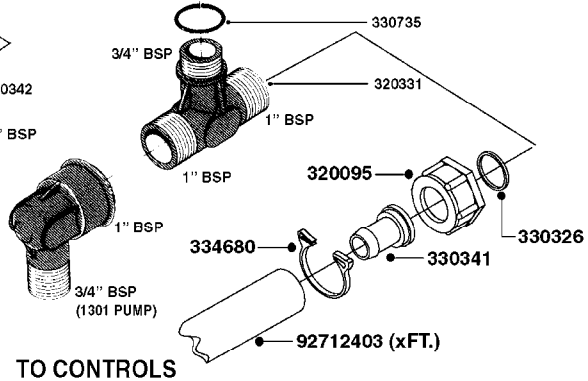
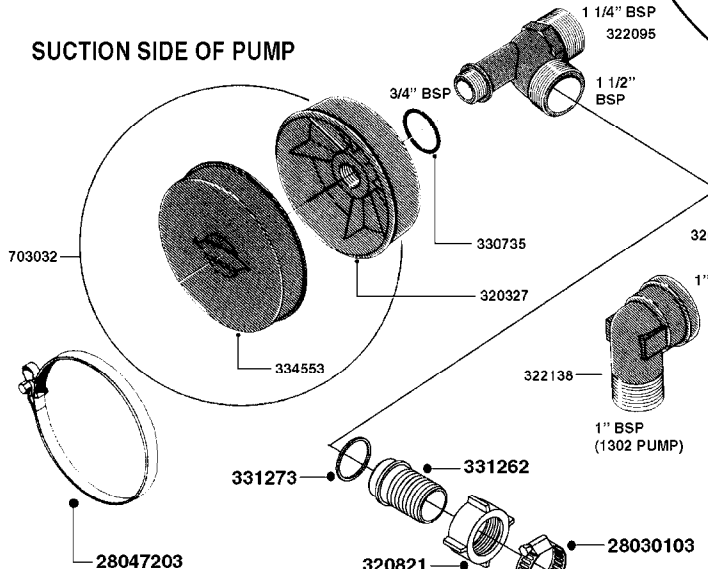
The YELLOW style diaphragm will not seal correctly in this housing.

Housing for Yellow Diaphragm:

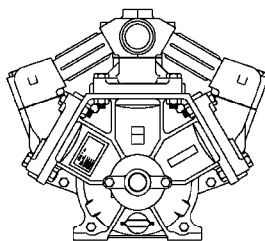
The groove on the lower housing of a the Pressure Damper is recognized by the extra lip on the bottom inside of the groove. For this style Pressure Damper, you need the YELLOW diaphragm (334265).



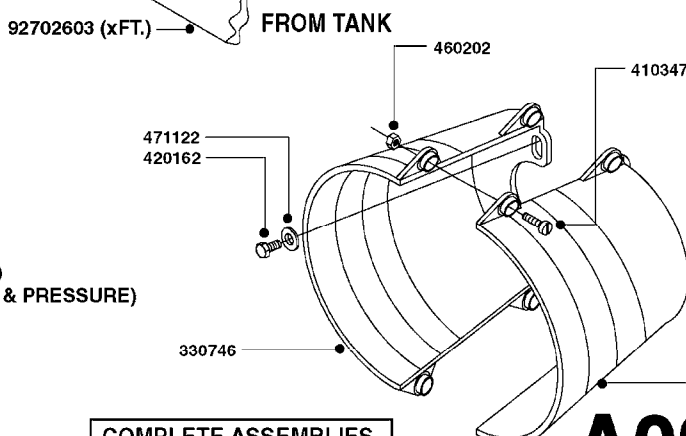
SUCTION SIDE OF PUMP



TO CONTROLS



NLA - 1302 PUMP (REPLACES 1301 PUMP)
#726854 - COMPLETE DAMPER KIT (SUCTION & PRESSURE)



COMPLETE ASSEMBLIES
WHOLEGOODS ITEMS

A0240

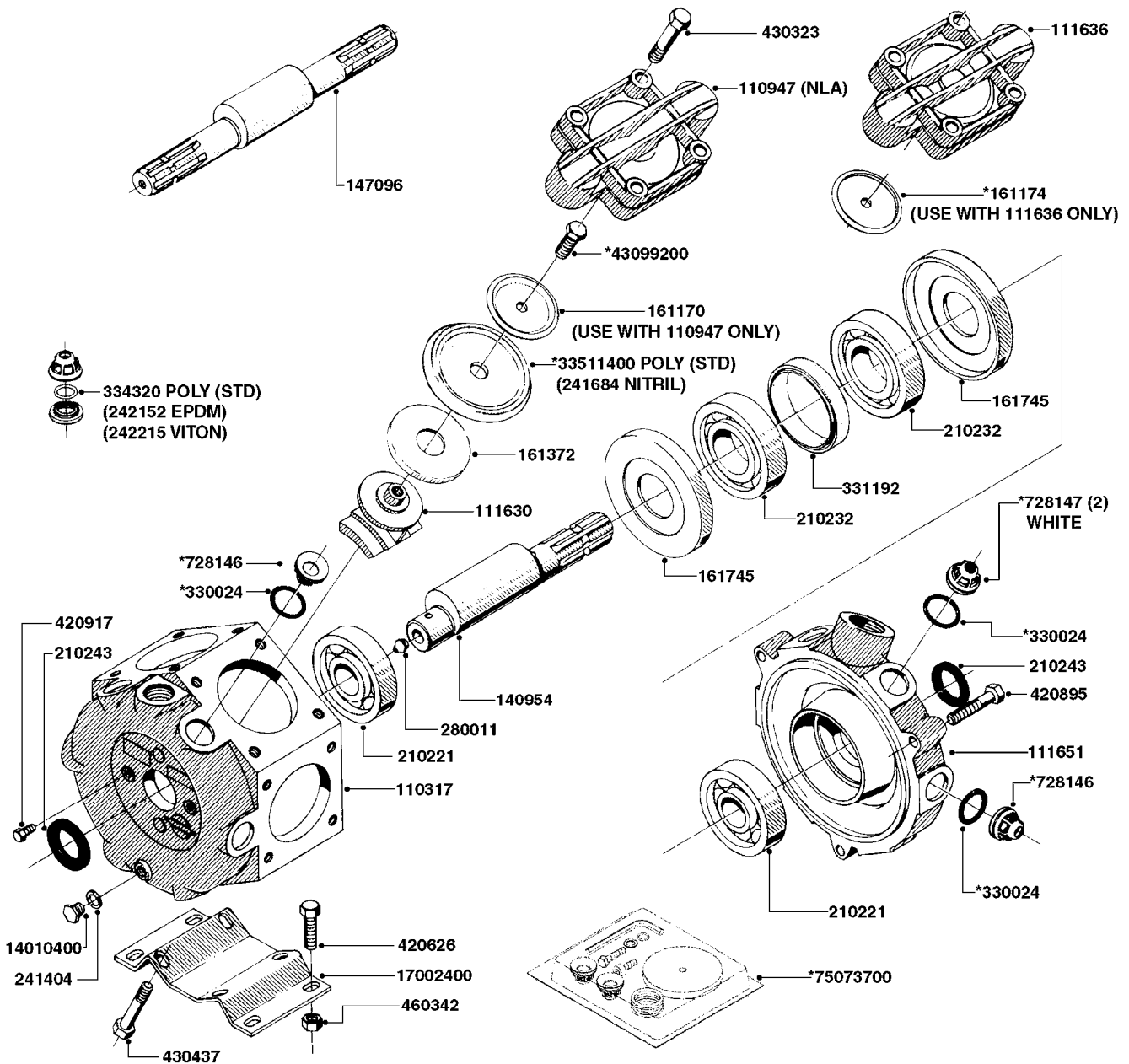


PUMP - 1301/1302 FITTINGS
A0240-HIN, 01:01:16

Page 1

Date 04.11.2017 13:04

| parts-n° | order qty | description |
|----------|-----------|------------------------------------|
| 240122 | 1 | DIAPHRAGM FOR PRES.DAMP.(EPDM) |
| 320095 | 1 | FITT.DK NUT 1" BSP |
| 320154 | 1 | AIR BOTTLE, BOTTOM PART |
| 320327 | 1 | HOUSING F. SUCTION AIR BOTTLE |
| 320331 | 1 | FITT.DK TEE 1" - 1" - 3/4" BSP |
| 320342 | 1 | FITT.DK EL 3/4"M X 1"F BSP |
| 320821 | 1 | FITT.DK NUT 1-1/2" BSP |
| 322095 | 1 | FITT.DK TEE 1-1/2 X1-1/4 X3/4" BSP |
| 322138 | 1 | FITT.DK ELB 1"M X 1"F BSP |
| 330326 | 1 | O-RING D30/D24X2 F.1"NUT |
| 330341 | 1 | FITT.DK HB 1" F. 1" NUT |
| 330525 | 1 | AIR BOTTLE, TOP HALF |
| 330735 | 1 | O-RING D30/D26X2 |
| 330746 | 1 | GUARD PTO LOWER PART SHORT |
| 330757 | 1 | GUARD PTO UPPER PART SHORT |
| 331262 | 1 | FITT.DK HB 1-1/2" F. 1-1/2"NUT |
| 331273 | 1 | O-RING D44/D38X2 F.1-1/2" |
| 334265 | 1 | DIAPHRAGM F. PRESS DAMP.NITRIL |
| 334553 | 1 | DIAPHRAGM F.SUCTION AIR BOTTLE |
| 334680 | 1 | CLAMP HOSE PLASTIC 1" |
| 410347 | 1 | SCREW M6X20 8.8 |
| 420162 | 1 | BOLT HEX 8.8 DEL 3/8"x15MM |
| 420567 | 1 | BOLT HEX 8.8 DEL M8X30 FT |
| 460202 | 1 | NUT HEX M6 |
| 460364 | 1 | NUT HU M8 A2 SS DIN934 |
| 471122 | 1 | WASHER, M10, Ø20/10.5X 2.0, SS |
| 703032 | 1 | SUCTION AIR BOTTLE 3/4" COMPL. |
| 703301 | 1 | VALVE FOR AIR BOTTLE |
| 726854 | 1 | DAMPER KIT 1203/1303 |
| 845014 | 1 | AIR BOTTLE COMPLETE HJ73 |
| 28030103 | 1 | CLAMP HOSE GEAR P5/4-S1.5"6724 |
| 28047203 | 1 | CLAMP HOSE GEAR 60 X 80 6756 |
| 92702603 | 1 | HOSE PVC SUCT GRAY 1-1/2" |
| 92712403 | 1 | HOSE R X1" X300PSI WP X0012" |



REPLACED BY 364 PUMPS
SEE PAGE A0280

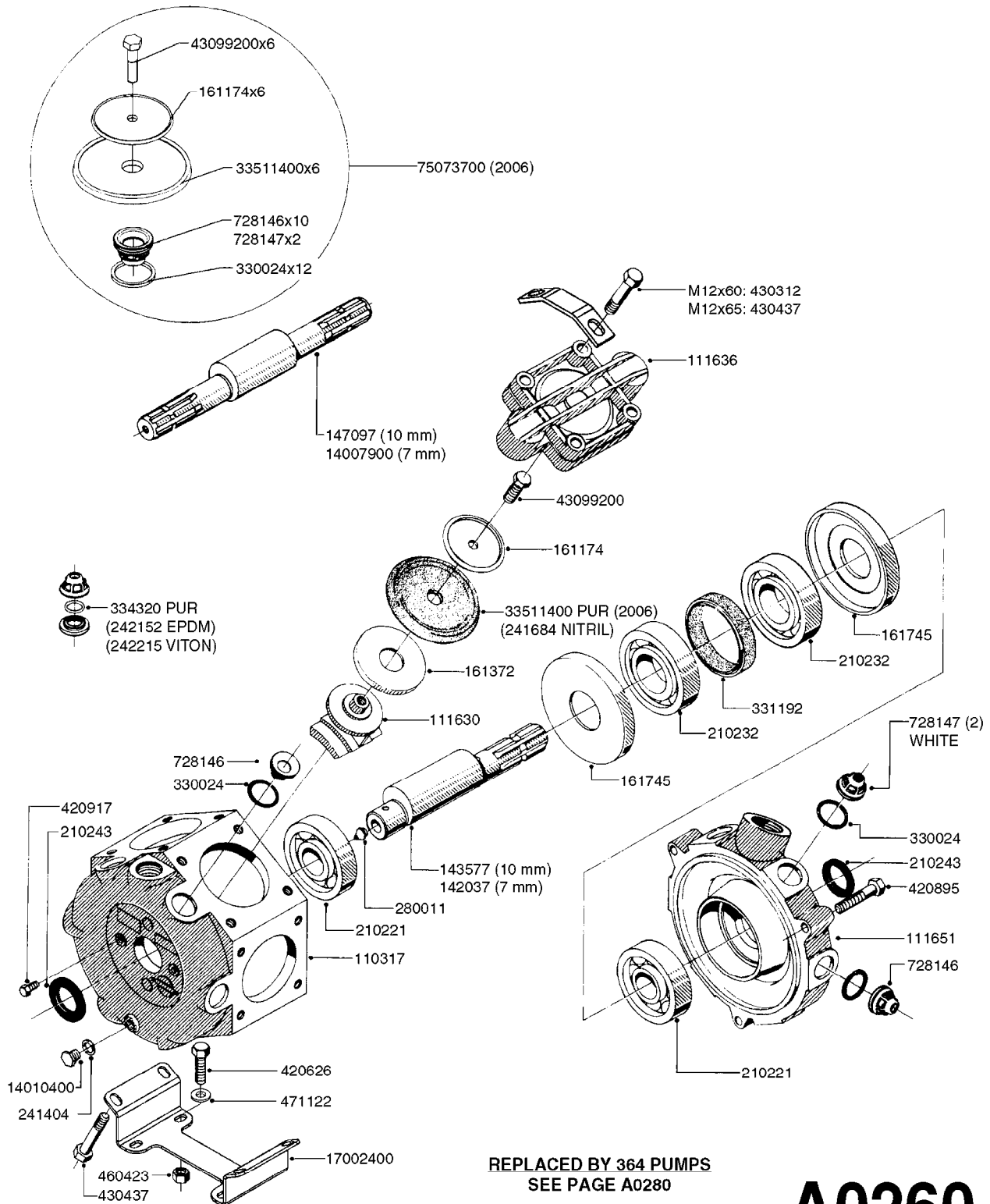
A0250



PUMP - 361 W/MOUNTING BASE
A0250-HIN, 17:03:16

Page 1
Date 04.11.2017 13:04

| parts-n° | order qty | description |
|----------|-----------|--|
| 110317 | 1 | PUMP CASING MODEL 360/361 PNTD |
| 110947 | 1 | VALVE COVER MDL 361 (PAINTED) |
| 111630 | 1 | CONNECTING ROD 363/364-10 PUMP |
| 111636 | 1 | VALVE COVER 363 HEAVY DUTY |
| 111651 | 1 | CASTING F.363 1.5" PUMP(FRONT) |
| 140954 | 1 | CRANK SHAFT MODEL 360/361 |
| 147096 | 1 | CRANK SHAFT 361/9.5 THROUGH |
| 161170 | 1 | DIAPH UPPER DISC, 321/361/363 |
| 161174 | 1 | DIAPHRAGM DISC SS 361/363/364 PUMP |
| 161372 | 1 | DIAPHRAGM BACKING DISC,320-361 |
| 161745 | 1 | METAL SPACER F.363/463 |
| 210221 | 1 | BEARING BALL 6407 |
| 210232 | 1 | BEARING BALL 6310 |
| 210243 | 1 | SEAL OIL 35 X 47 X 7 |
| 241404 | 1 | DOWTY SEAL 1/4" |
| 241684 | 1 | DEICER PARTS: DIAPHRAGM MODEL 361 NITRIL |
| 242152 | 1 | O-RING D18.2X3 EPDM |
| 242215 | 1 | O-RING D18X3 VITON |
| 280011 | 1 | GREASE NIPPLE 1/8' SAE H TR |
| 330024 | 1 | O-RING D41,1/D34.5 X 3,5 |
| 331192 | 1 | SPACER, MODEL 361/363 |
| 334320 | 1 | O-RING D18X3 POLYURETHANE |
| 420626 | 1 | BOLT HEX 8.8 DEL M10X20 FT |
| 420895 | 1 | BOLT HEX 8.8 RAW M10X60 |
| 420917 | 1 | BOLT HEX 8.8 RAW M8X12 FT |
| 430323 | 1 | BOLT HEX 8.8 DEL M12X60 |
| 430437 | 1 | BOLT HEX 8.8 RAW M12X65 |
| 460342 | 1 | NUT HEX M10 DEL DIN934 |
| 728146 | 1 | VALVE FOR 361(726890/707932) |
| 728147 | 1 | VALVE FOR 361 WHITE WITH HOLE |
| 14010400 | 1 | PLUG 1/4" BSP |
| 17002400 | 1 | FOOT F. 36X PUMP, RED |
| 33511400 | 1 | DIAPHRAGM PUMP 361/361/363/364 PUR |
| 43099200 | 1 | BOLT HEX SS M12 X 30 DIN933 A4 |
| 75073700 | 1 | PUMP KIT 361/363 "06" |



REPLACED BY 364 PUMPS
SEE PAGE A0280

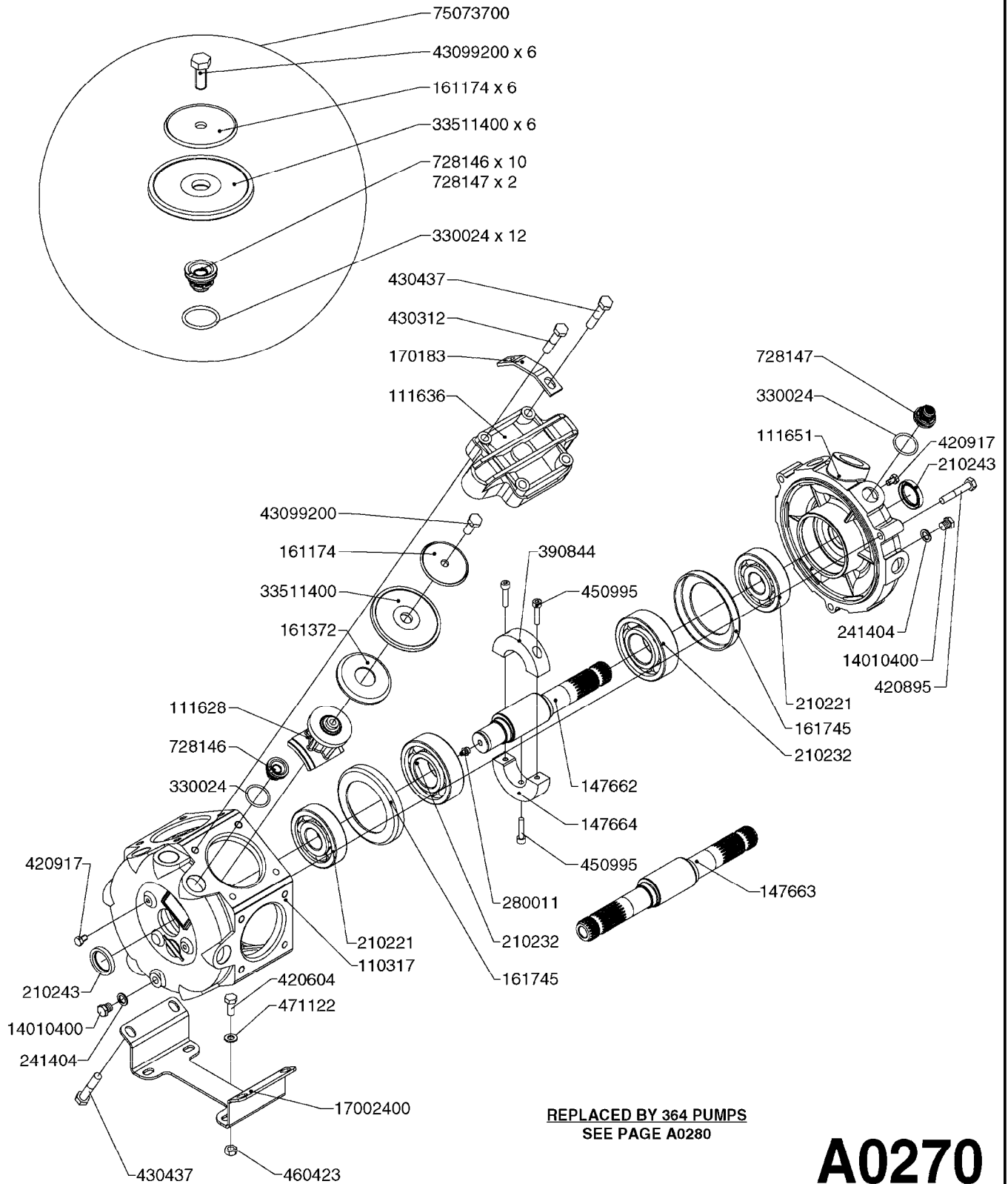
A0260



PUMP - 363 W/MOUNTING BASE
A0260-HIN, 17:03:16

Page 1
Date 04.11.2017 13:04

| parts-n° | order qty | description |
|----------|-----------|--|
| 110317 | 1 | PUMP CASING MODEL 360/361 PNTD |
| 111630 | 1 | CONNECTING ROD 363/364-10 PUMP |
| 111636 | 1 | VALVE COVER 363 HEAVY DUTY |
| 111651 | 1 | CASTING F.363 1.5" PUMP(FRONT) |
| 142037 | 1 | CRANK SHAFT 361-20 |
| 143577 | 1 | CRANK SHAFT F.363/462/463-10mm |
| 147097 | 1 | CRANK SHAFT 363-463/10 THROUGH |
| 161174 | 1 | DIAPHRAGM DISC SS 361/363/364 PUMP |
| 161372 | 1 | DIAPHRAGM BACKING DISC,320-361 |
| 161745 | 1 | METAL SPACER F.363/463 |
| 210221 | 1 | BEARING BALL 6407 |
| 210232 | 1 | BEARING BALL 6310 |
| 210243 | 1 | SEAL OIL 35 X 47 X 7 |
| 241404 | 1 | DOWTY SEAL 1/4" |
| 241684 | 1 | DEICER PARTS: DIAPHRAGM MODEL 361 NITRIL |
| 242152 | 1 | O-RING D18.2X3 EPDM |
| 242215 | 1 | O-RING D18X3 VITON |
| 280011 | 1 | GREASE NIPPLE 1/8" SAE H TR |
| 330024 | 1 | O-RING D41,1/D34.5 X 3,5 |
| 331192 | 1 | SPACER, MODEL 361/363 |
| 334320 | 1 | O-RING D18X3 POLYURETHANE |
| 420626 | 1 | BOLT HEX 8.8 DEL M10X20 FT |
| 420895 | 1 | BOLT HEX 8.8 RAW M10X60 |
| 420917 | 1 | BOLT HEX 8.8 RAW M8X12 FT |
| 430312 | 1 | BOLT HEX 8.8 RAW M12X60 |
| 430437 | 1 | BOLT HEX 8.8 RAW M12X65 |
| 460423 | 1 | NUT HEX M10X1.50 LOCK DIN985A2 SS |
| 471122 | 1 | WASHER, M10, Ø20/10.5X 2.0, SS |
| 728146 | 1 | VALVE FOR 361(726890/707932) |
| 728147 | 1 | VALVE FOR 361 WHITE WITH HOLE |
| 14007900 | 1 | CRANK 363/462/463-7mm 540/THRU |
| 14010400 | 1 | PLUG 1/4" BSP |
| 17002400 | 1 | FOOT F. 36X PUMP, RED |
| 33511400 | 1 | DIAPHRAGM PUMP 361/361/363/364 PUR |
| 43099200 | 1 | BOLT HEX SS M12 X 30 DIN933 A4 |
| 75073700 | 1 | PUMP KIT 361/363 "06" |



REPLACED BY 364 PUMPS
SEE PAGE A0280

A0270



PUMP - 363/1000 RPM W/MOUNTING
A0270-HIN, 17:03:16

Page 1
Date 04.11.2017 13:04

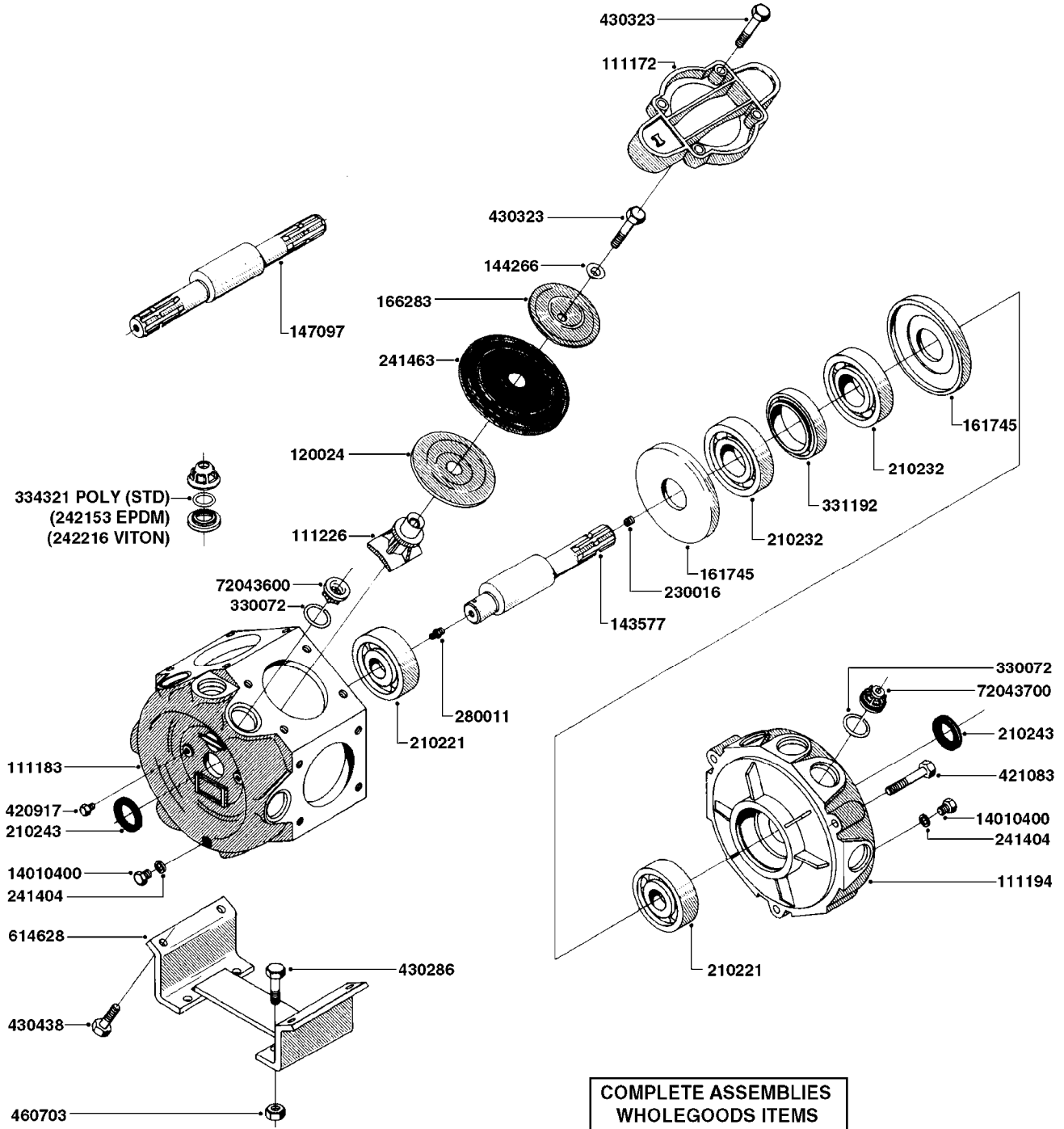
| parts-n° | order qty | description |
|----------|-----------|------------------------------------|
| 110317 | 1 | PUMP CASING MODEL 360/361 PNTD |
| 111628 | 1 | CONNECTING ROD 363/5.5 PUMP |
| 111636 | 1 | VALVE COVER 363 HEAVY DUTY |
| 111651 | 1 | CASTING F.363 1.5" PUMP(FRONT) |
| 147662 | 1 | CRANK SHAFT F.363/463-5.5MM |
| 147663 | 1 | CRANK SHAFT 363/463-5.5 THROUG |
| 147664 | 1 | COUNTERBALANCE 363/463 WEIGHT |
| 161174 | 1 | DIAPHRAGM DISC SS 361/363/364 PUMP |
| 161372 | 1 | DIAPHRAGM BACKING DISC,320-361 |
| 161745 | 1 | METAL SPACER F.363/463 |
| 170183 | 1 | LIFT STRAP F.PUMP 360/361/462 |
| 210221 | 1 | BEARING BALL 6407 |
| 210232 | 1 | BEARING BALL 6310 |
| 210243 | 1 | SEAL OIL 35 X 47 X 7 |
| 241404 | 1 | DOWTY SEAL 1/4" |
| 280011 | 1 | GREASE NIPPLE 1/8' SAE H TR |
| 330024 | 1 | O-RING D41,1/D34.5 X 3,5 |
| 390844 | 1 | COUNTERBALANCE 363/463 POM |
| 420604 | 1 | BOLT HEX 8.8 DEL M10X25 FT DIN933 |
| 420895 | 1 | BOLT HEX 8.8 RAW M10X60 |
| 420917 | 1 | BOLT HEX 8.8 RAW M8X12 FT |
| 430312 | 1 | BOLT HEX 8.8 RAW M12X60 |
| 430437 | 1 | BOLT HEX 8.8 RAW M12X65 |
| 450995 | 1 | BOLT ALLEN M8X30 DIN 912 RAW |
| 460423 | 1 | NUT HEX M10X1.50 LOCK DIN985A2 SS |
| 471122 | 1 | WASHER, M10, Ø20/10.5X 2.0, SS |
| 728146 | 1 | VALVE FOR 361(726890/707932) |
| 728147 | 1 | VALVE FOR 361 WHITE WITH HOLE |
| 14010400 | 1 | PLUG 1/4" BSP |
| 17002400 | 1 | FOOT F. 36X PUMP, RED |
| 33511400 | 1 | DIAPHRAGM PUMP 361/361/363/364 PUR |
| 43099200 | 1 | BOLT HEX SS M12 X 30 DIN933 A4 |
| 75073700 | 1 | PUMP KIT 361/363 "06" |



PUMP - 364 540/1000 RPM
A0280-HIN, 21:02:17

Page 1
Date 04.11.2017 13:04

| Pos. | parts-n° | order qty | description |
|------|----------|-----------|--------------------------------------|
| 1 | 111622 | 1 | CONNECTING ROD 463/5.5MM |
| 1 | 111628 | 1 | CONNECTING ROD 363/5.5 PUMP |
| 1 | 111629 | 1 | CONNECTING ROD 363/364-7 PUMP |
| 1 | 111630 | 1 | CONNECTING ROD 363/364-10 PUMP |
| 2 | 145996 | 1 | FITT.DK S-67 FORK |
| 3 | 145997 | 1 | FITT.DK S-93 FORK |
| 4 | 161174 | 1 | DIAPHRAGM DISC SS 361/363/364 PUMP |
| 5 | 161372 | 1 | DIAPHRAGM BACKING DISC,320-361 |
| 6 | 210221 | 1 | BEARING BALL 6407 |
| 7 | 210232 | 1 | BEARING BALL 6310 |
| 8 | 210243 | 1 | SEAL OIL 35 X 47 X 7 |
| 9 | 241404 | 1 | DOWTY SEAL 1/4" |
| 10 | 242225 | 1 | O-RING D45.0 X 4.0 RUBBER |
| 11 | 242374 | 1 | WASHER Ø10/Ø6X1 COPPER |
| 12 | 330024 | 1 | O-RING D41,1/D34.5 X 3,5 |
| 13 | 420895 | 1 | BOLT HEX 8.8 RAW M10X60 |
| 14 | 430312 | 1 | BOLT HEX 8.8 RAW M12X60 |
| 15 | 430437 | 1 | BOLT HEX 8.8 RAW M12X65 |
| 16 | 450995 | 1 | BOLT ALLEN M8X30 DIN 912 RAW |
| 17 | 728146 | 1 | VALVE FOR 361(726890/707932) |
| 18 | 11171900 | 1 | CONROD RING 364/464 MACHINED |
| 19 | 11172000 | 1 | PUMP HOUSE 364 MACHINED 5/4" BSP RED |
| 20 | 11172800 | 1 | VALVE COVER 363/364 MACHINED RED |
| 21 | 11173200 | 1 | FRONTPART 364, 1½" BSP RED |
| 22 | 14010400 | 1 | PLUG 1/4" BSP |
| 23 | 14120400 | 1 | BANJOBOLT M6 X 19 |
| 24 | 14120700 | 1 | COUNTERWEIGHT 364/464-1000 |
| 25 | 14137300 | 1 | CRANKSHAFT 364/464-5.5 1000 |
| 26 | 14137900 | 1 | CRANKSHAFT 364/464-5.5 GG 1000 |
| 27 | 14137600 | 1 | CRANKSHAFT 364/464-10 |
| 28 | 14138200 | 1 | CRANKSHAFT 364/464-10 GG |
| 29 | 16382900 | 1 | GREASE NIPPLE PLATE, 364 |
| 30 | 16390600 | 1 | BRACKET FOR RPM SENSOR |
| 31 | 17002400 | 1 | FOOT F. 36X PUMP, RED |
| 32 | 24266600 | 1 | O-RING D 38,0 X 4,0 70SH.NITR |
| 33 | 28045503 | 1 | LOCTITE 262 .5ML (.017oz.) |
| 34 | 28163300 | 1 | GREASE NIPPLE H1 M6X1 DIN 7412 |
| 35 | 28163400 | 1 | CAP F. GREASENIPPLE YELLOW M6X1 |
| 36 | 28164600 | 1 | HARDI PUMP GREASE S3 V550L 1 |
| 37 | 32242200 | 1 | FITTING S67 5/4" KON. RG 2014 |
| 38 | 32242300 | 1 | NIPPLE S93 1,5' KON.RG 2014 |
| 39 | 33511400 | 1 | DIAPHRAGM PUMP 361/361/363/364 PUR |
| 40 | 33524300 | 1 | COVER PLASTIC 364 PUMP |
| 41 | 33527200 | 1 | GREASE SPLIT 364/464 |
| 42 | 39136200 | 1 | HALFPART 364/464-1000 |
| 43 | 43099200 | 1 | BOLT HEX SS M12 X 30 DIN933 A4 |
| 44 | 46134000 | 1 | NUT HEX M10x1 H=2.3 NV=14 ELZIN |
| 45 | 61096800 | 1 | BANJOTUBE SHORT 364 COMPL. |
| 46 | 61096900 | 1 | BANJOTUBE LONG 364 COMPL. |
| 47 | 75585900 | 1 | PUMP KIT 364 |
| 48 | 82168100 | 1 | PUMP 464-5.5 THROUGH SHAFT 1000RPM |
| 48 | 82169500 | 1 | PUMP 364-5.5-MED-1000 |
| 48 | 82169700 | 1 | PUMP 364-5.5-MOD2-1000-OSP |
| 48 | 82170000 | 1 | PUMP 364-10-STD-540 FK |
| 48 | 82170300 | 1 | PUMP 364-10-MOD-540-GG THROUGH SHAFT |
| 48 | 82170400 | 1 | PUMP 364-10-MOD-540-OSP |



COMPLETE PUMP
(NLA) REPLACED BY 464 PUMP (SEE PAGE A0350)

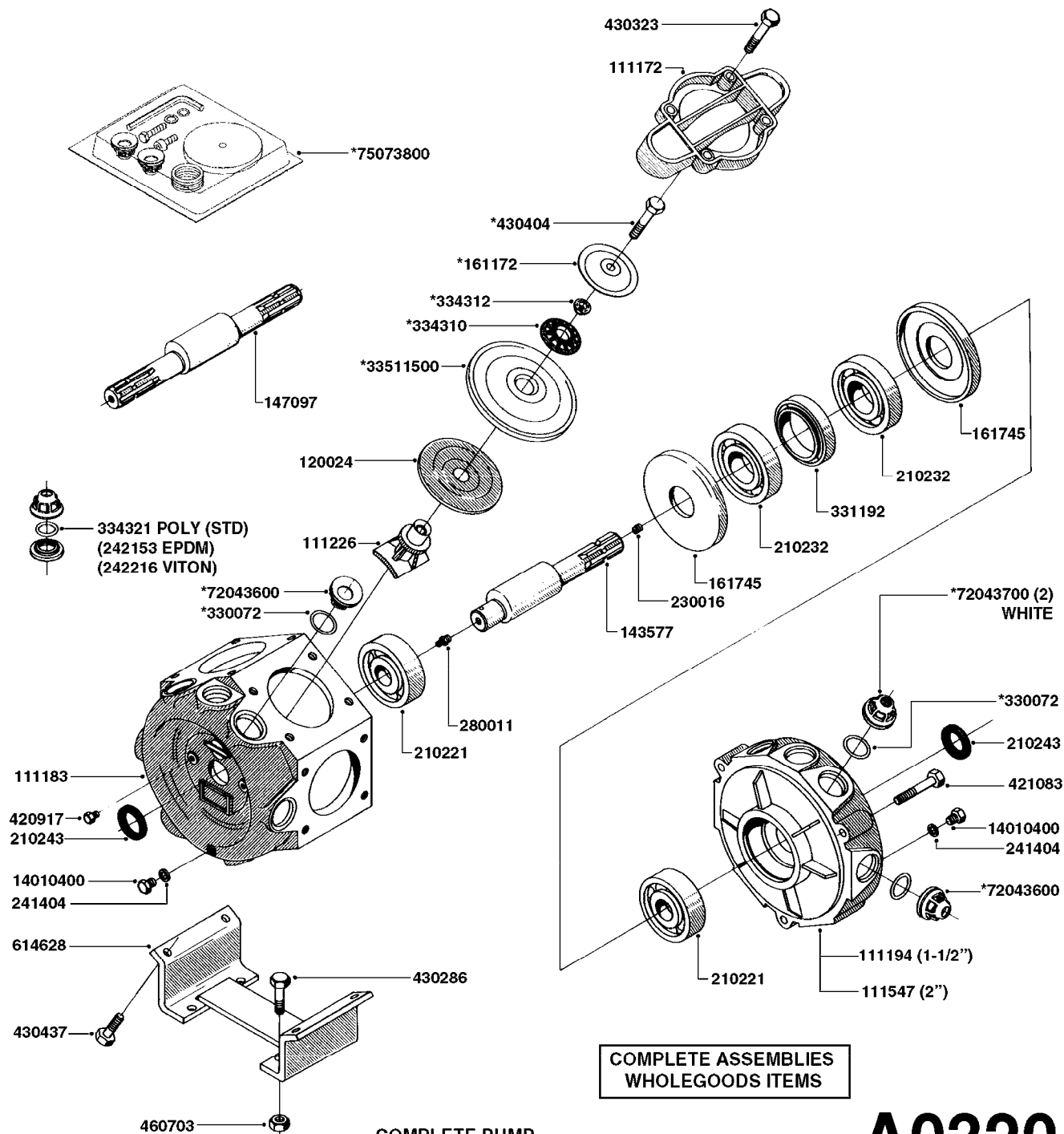
A0310



PUMP - 460 W/MOUNTING BASE
A0310-HIN, 01:01:16

Page 1
Date 04.11.2017 13:04

| parts-n° | order qty | description |
|----------|-----------|-----------------------------------|
| 111172 | 1 | VALVE CHAMBER 460 (PAINTED) |
| 111183 | 1 | PUMP CASTING 460-463 (PAINTED) |
| 111194 | 1 | PUMP CASTING FT.460 (PAINTED) |
| 111226 | 1 | CONNECTING ROD MODEL 460 |
| 120024 | 1 | DIAPHRAGM BACK DISC 1200-1300 |
| 143577 | 1 | CRANK SHAFT F.363/462/463-10mm |
| 144266 | 1 | WASHER FOR 460 PUMP |
| 147097 | 1 | CRANK SHAFT 363-463/10 THROUGH |
| 161745 | 1 | METAL SPACER F.363/463 |
| 166283 | 1 | DIAPHRAGM UPPER DISC MOD. 460 |
| 210221 | 1 | BEARING BALL 6407 |
| 210232 | 1 | BEARING BALL 6310 |
| 210243 | 1 | SEAL OIL 35 X 47 X 7 |
| 230016 | 1 | PLUG 1/8' BSP TYPE P |
| 241404 | 1 | DOWTY SEAL 1/4" |
| 241463 | 1 | DIAPHRAGM MODEL 460 |
| 242153 | 1 | O-RING D26X4 EPDM |
| 242216 | 1 | O-RING VITON F/1202/1302/462 |
| 280011 | 1 | GREASE NIPPLE 1/8' SAE H TR |
| 330072 | 1 | O-RING D53.5/D45.5X4 |
| 331192 | 1 | SPACER, MODEL 361/363 |
| 334321 | 1 | O-RING POLY. 34.0x26.0x4.0 |
| 420917 | 1 | BOLT HEX 8.8 RAW M8X12 FT |
| 421083 | 1 | BOLT HEX 8.8 DEL M10X65 |
| 430286 | 1 | BOLT HEX 8.8 DEL M12X30 FT |
| 430323 | 1 | BOLT HEX 8.8 DEL M12X60 |
| 430438 | 1 | BOLT HEX 8.8 DEL M12X65 |
| 460703 | 1 | NUT HEX M12X1.75 LOCK DIN985A2 SS |
| 614628 | 1 | FOOT F. 46X PUMP, RED |
| 14010400 | 1 | PLUG 1/4" BSP |
| 72043600 | 1 | VALVE FOR 462/463 |
| 72043700 | 1 | VALVE FOR 462/463 W.VENT HOLE |



COMPLETE ASSEMBLIES
WHOLEGOODS ITEMS

COMPLETE PUMP
(NLA) REPLACED BY 464 PUMP (SEE PAGE A0350)

A0320



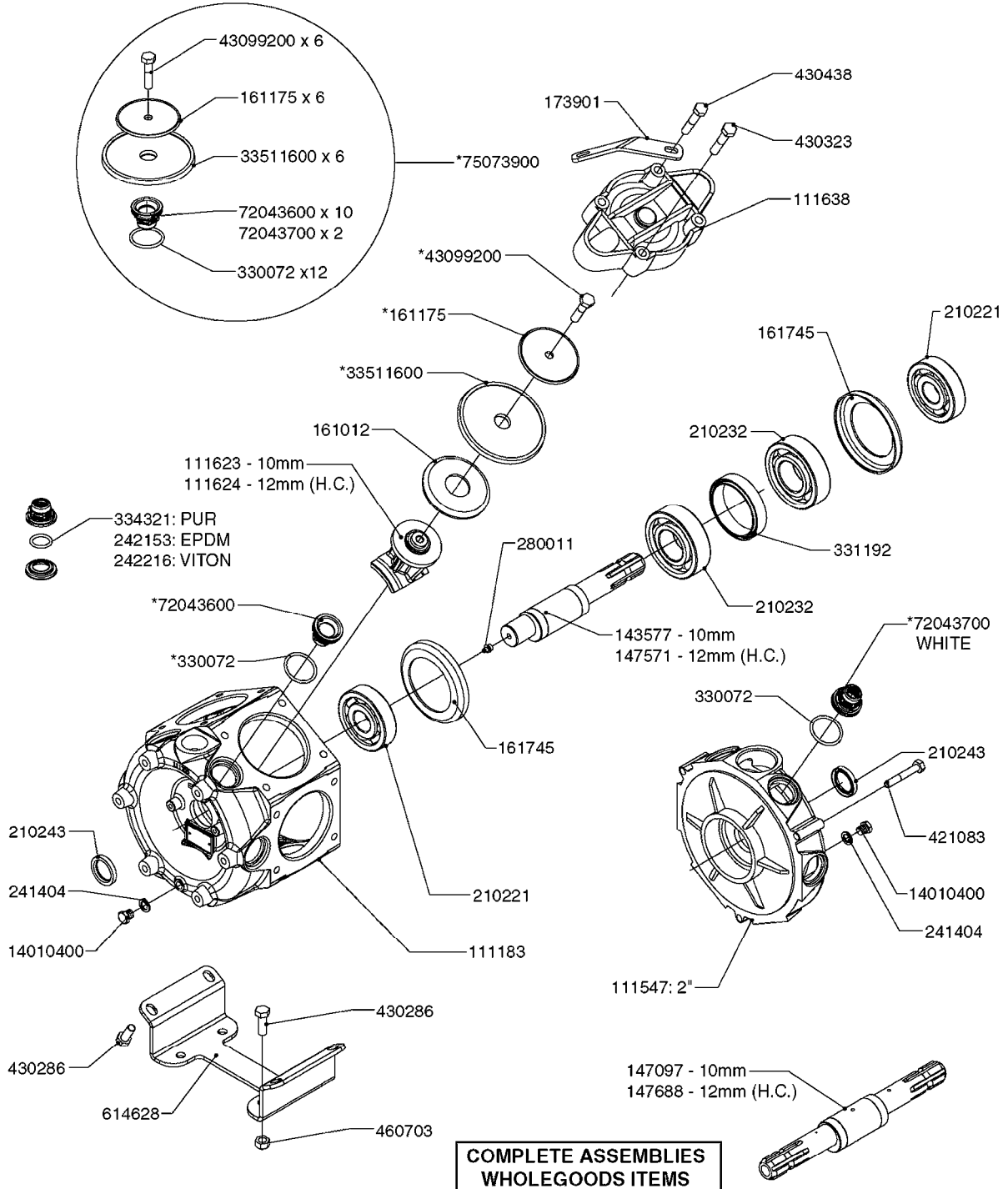
PUMP - 462 W/MOUNTING BASE
A0320-HIN, 01:01:16

Page 1
Date 04.11.2017 13:04

| parts-n° | order qty | description |
|----------|-----------|-----------------------------------|
| 111172 | 1 | VALVE CHAMBER 460 (PAINTED) |
| 111183 | 1 | PUMP CASTING 460-463 (PAINTED) |
| 111194 | 1 | PUMP CASTING FT.460 (PAINTED) |
| 111226 | 1 | CONNECTING ROD MODEL 460 |
| 111547 | 1 | PUMP FRONT 460-463-2' (PAINT) |
| 120024 | 1 | DIAPHRAGM BACK DISC 1200-1300 |
| 143577 | 1 | CRANK SHAFT F.363/462/463-10mm |
| 147097 | 1 | CRANK SHAFT 363-463/10 THROUGH |
| 161172 | 1 | DIAPHRAGM DISC F. 1203/1303 |
| 161745 | 1 | METAL SPACER F.363/463 |
| 210221 | 1 | BEARING BALL 6407 |
| 210232 | 1 | BEARING BALL 6310 |
| 210243 | 1 | SEAL OIL 35 X 47 X 7 |
| 230016 | 1 | PLUG 1/8' BSP TYPE P |
| 241404 | 1 | DOWTY SEAL 1/4" |
| 242153 | 1 | O-RING D26X4 EPDM |
| 242216 | 1 | O-RING VITON F/1202/1302/462 |
| 280011 | 1 | GREASE NIPPLE 1/8' SAE H TR |
| 330072 | 1 | O-RING D53.5/D45.5X4 |
| 331192 | 1 | SPACER, MODEL 361/363 |
| 334310 | 1 | NYLON WASHER 1202/1302/462 |
| 334312 | 1 | PLASTIC SPACER F/462 |
| 334321 | 1 | O-RING POLY. 34.0x26.0x4.0 |
| 420917 | 1 | BOLT HEX 8.8 RAW M8X12 FT |
| 421083 | 1 | BOLT HEX 8.8 DEL M10X65 |
| 430286 | 1 | BOLT HEX 8.8 DEL M12X30 FT |
| 430323 | 1 | BOLT HEX 8.8 DEL M12X60 |
| 430404 | 1 | BOLT HEX 8.8 DEL M12X50 |
| 430437 | 1 | BOLT HEX 8.8 RAW M12X65 |
| 460703 | 1 | NUT HEX M12X1.75 LOCK DIN985A2 SS |
| 614628 | 1 | FOOT F. 46X PUMP, RED |
| 14010400 | 1 | PLUG 1/4" BSP |
| 33511500 | 1 | DIAPHRAGM 462 PUR 2006 |
| 72043600 | 1 | VALVE FOR 462/463 |
| 72043700 | 1 | VALVE FOR 462/463 W.VENT HOLE |
| 75073800 | 1 | PUMP KIT 461/462 "06" |



PUMP REPAIR KIT



**COMPLETE ASSEMBLIES
WHOLEGOODS ITEMS**

COMPLETE PUMPS

- 821587 - 463/10 2" W/THROUGH SHAFT (540 RPM)
- 82166300 - 463/12 2" (540 RPM H.C. INLINE PORTS)
- 463/12 2" (540 RPM H.C. OFFSET PORTS) REPLACED BY 82168700 (PAGE A0350)

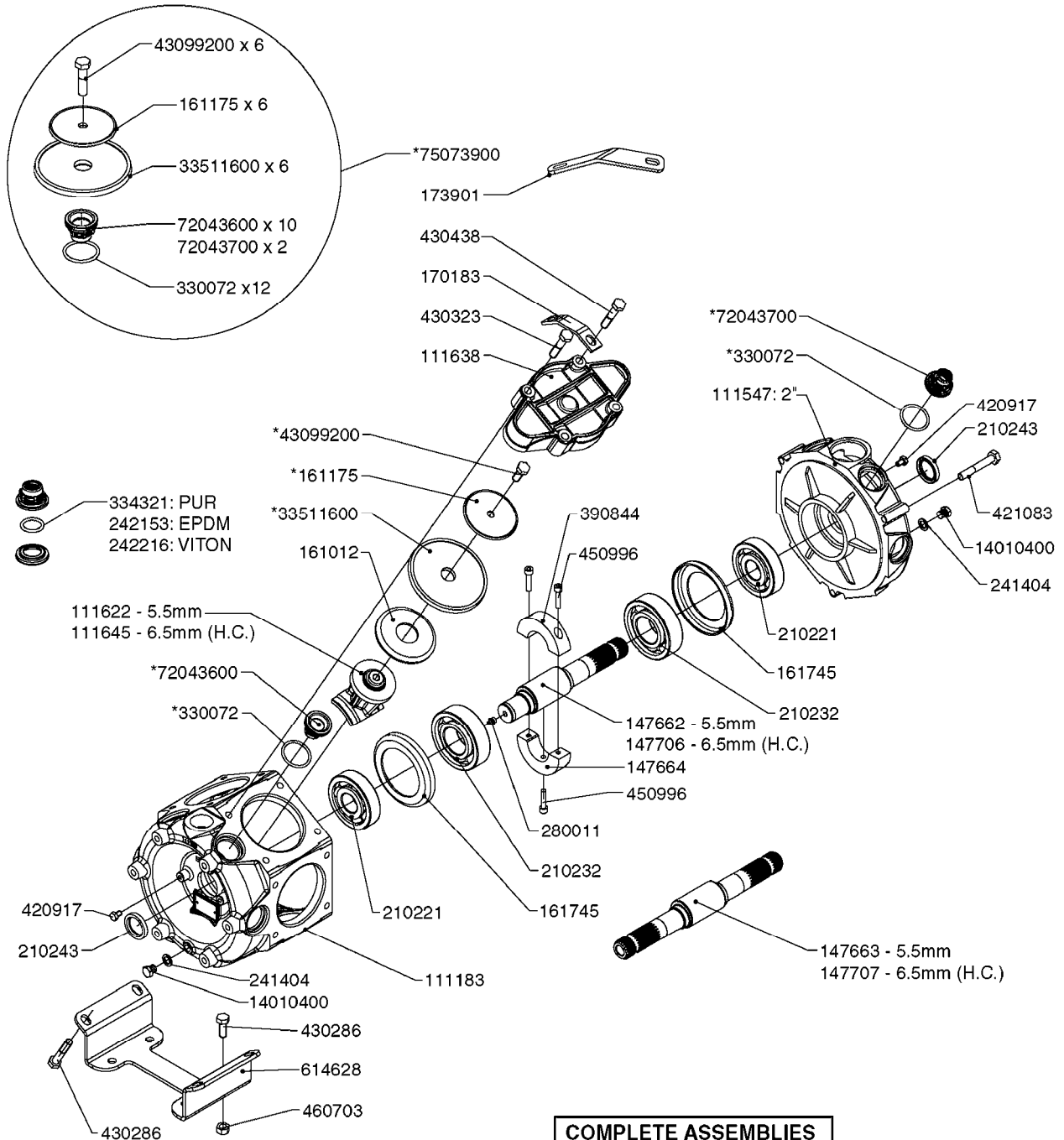
A0330



PUMP - 463 W/ MOUNTING BASE
A0330-HIN, 01:01:16

Page 1
Date 04.11.2017 13:04

| parts-n° | order qty | description |
|----------|-----------|-----------------------------------|
| 111183 | 1 | PUMP CASTING 460-463 (PAINTED) |
| 111547 | 1 | PUMP FRONT 460-463-2' (PAINT) |
| 111623 | 1 | CONNECTING ROD 463/10MM |
| 111624 | 1 | CONNECTING ROD 463/12MM |
| 111638 | 1 | VALVE COVER 463 HC+1000 VERS. |
| 143577 | 1 | CRANK SHAFT F.363/462/463-10mm |
| 147097 | 1 | CRANK SHAFT 363-463/10 THROUGH |
| 147571 | 1 | CRANK SHAFT F.463-12mm |
| 147688 | 1 | CRANK SHAFT 462/12 THROUGH |
| 161012 | 1 | DIAPHRAGM BACKING DISC F. 463 |
| 161175 | 1 | DIAPHRAGM DISC 463/464 PUMP |
| 161745 | 1 | METAL SPACER F.363/463 |
| 173901 | 1 | LIFT STRAP F.PUMP 463 |
| 210221 | 1 | BEARING BALL 6407 |
| 210232 | 1 | BEARING BALL 6310 |
| 210243 | 1 | SEAL OIL 35 X 47 X 7 |
| 241404 | 1 | DOWTY SEAL 1/4" |
| 242153 | 1 | O-RING D26X4 EPDM |
| 242216 | 1 | O-RING VITON F/1202/1302/462 |
| 280011 | 1 | GREASE NIPPLE 1/8' SAE H TR |
| 330072 | 1 | O-RING D53.5/D45.5X4 |
| 331192 | 1 | SPACER, MODEL 361/363 |
| 334321 | 1 | O-RING POLY. 34.0x26.0x4.0 |
| 421083 | 1 | BOLT HEX 8.8 DEL M10X65 |
| 430286 | 1 | BOLT HEX 8.8 DEL M12X30 FT |
| 430323 | 1 | BOLT HEX 8.8 DEL M12X60 |
| 430438 | 1 | BOLT HEX 8.8 DEL M12X65 |
| 460703 | 1 | NUT HEX M12X1.75 LOCK DIN985A2 SS |
| 614628 | 1 | FOOT F. 46X PUMP, RED |
| 821587 | 1 | PUMP 463/10 THROUGH SHAFT TWNF |
| 14010400 | 1 | PLUG 1/4" BSP |
| 33511600 | 1 | DIAPHRAGM PUMP 463/464 PUMP PUR |
| 43099200 | 1 | BOLT HEX SS M12 X 30 DIN933 A4 |
| 72043600 | 1 | VALVE FOR 462/463 |
| 72043700 | 1 | VALVE FOR 462/463 W.VENT HOLE |
| 75073900 | 1 | PUMP KIT 460/463 "06" |
| 82166300 | 1 | PUMP 464-12-MED-2-540 |
| 82168700 | 1 | PUMP 464-12 540 OFFSET PORTS |



**COMPLETE ASSEMBLIES
WHOLEGOODS ITEMS**

COMPLETE PUMPS

- 821585 - 463/5.5 W/THROUGH SHAFT (1000 RPM)
- 821587 - 463/10 W/THROUGH SHAFT (540 RPM)
- 82169400 - 464/6.5 (1000 RPM - H.C. INLINE PORTS)
- 72293300 - 463/6.5 W/THROUGH SHAFT (1000 RPM)
- 463/12 (540 RPM H.C. OFFSET PORTS) REPLACED BY 82168700 (PAGE A0350)
- 463/6.5 (1000 RPM H.C. OFFSET PORTS) REPLACED BY 82168800 (PAGE A0350)

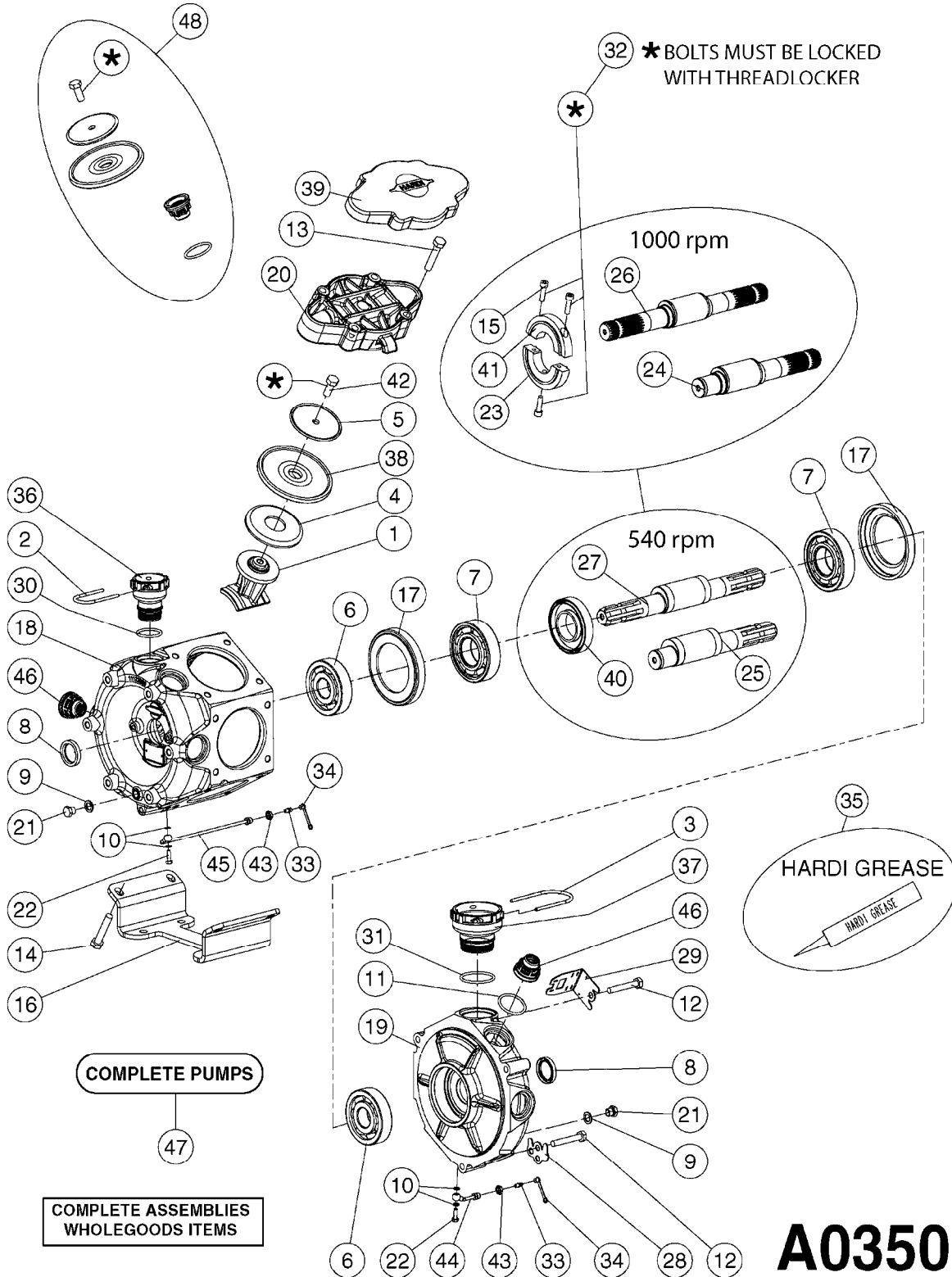
A0340



PUMP - 463/1000 RPM W/MOUNTING
A0340-HIN, 01:01:16

Page 1
Date 04.11.2017 13:04

| parts-n° | order qty | description |
|----------|-----------|-----------------------------------|
| 111183 | 1 | PUMP CASTING 460-463 (PAINTED) |
| 111547 | 1 | PUMP FRONT 460-463-2' (PAINT) |
| 111622 | 1 | CONNECTING ROD 463/5.5MM |
| 111638 | 1 | VALVE COVER 463 HC+1000 VERS. |
| 111645 | 1 | CONNECTING ROD 463/6.5MM |
| 147662 | 1 | CRANK SHAFT F.363/463-5.5MM |
| 147663 | 1 | CRANK SHAFT 363/463-5.5 THROUG |
| 147664 | 1 | COUNTERBALANCE 363/463 WEIGHT |
| 147706 | 1 | CRANK SHAFT F.363/463-6.5MM |
| 147707 | 1 | CRANK SHAFT 363/463-6.5 THROUG |
| 161012 | 1 | DIAPHRAGM BACKING DISC F. 463 |
| 161175 | 1 | DIAPHRAGM DISC 463/464 PUMP |
| 161745 | 1 | METAL SPACER F.363/463 |
| 170183 | 1 | LIFT STRAP F.PUMP 360/361/462 |
| 173901 | 1 | LIFT STRAP F.PUMP 463 |
| 210221 | 1 | BEARING BALL 6407 |
| 210232 | 1 | BEARING BALL 6310 |
| 210243 | 1 | SEAL OIL 35 X 47 X 7 |
| 241404 | 1 | DOWTY SEAL 1/4" |
| 242153 | 1 | O-RING D26X4 EPDM |
| 242216 | 1 | O-RING VITON F/1202/1302/462 |
| 280011 | 1 | GREASE NIPPLE 1/8' SAE H TR |
| 330072 | 1 | O-RING D53.5/D45.5X4 |
| 334321 | 1 | O-RING POLY. 34.0x26.0x4.0 |
| 390844 | 1 | COUNTERBALANCE 363/463 POM |
| 420917 | 1 | BOLT HEX 8.8 RAW M8X12 FT |
| 421083 | 1 | BOLT HEX 8.8 DEL M10X65 |
| 430286 | 1 | BOLT HEX 8.8 DEL M12X30 FT |
| 430323 | 1 | BOLT HEX 8.8 DEL M12X60 |
| 430438 | 1 | BOLT HEX 8.8 DEL M12X65 |
| 450996 | 1 | BOLT ALLEN M8X35 DIN 912 RAW |
| 460703 | 1 | NUT HEX M12X1.75 LOCK DIN985A2 SS |
| 614628 | 1 | FOOT F. 46X PUMP, RED |
| 821585 | 1 | PUMP 463/5.5 THRGH SHAFT 1000R |
| 821587 | 1 | PUMP 463/10 THROUGH SHAFT TWNF |
| 14010400 | 1 | PLUG 1/4" BSP |
| 33511600 | 1 | DIAPHRAGM PUMP 463/464 PUMP PUR |
| 43099200 | 1 | BOLT HEX SS M12 X 30 DIN933 A4 |
| 72043600 | 1 | VALVE FOR 462/463 |
| 72043700 | 1 | VALVE FOR 462/463 W.VENT HOLE |
| 72293300 | 1 | PUMP 463/6.5 MED-2-1000-GG |
| 75073900 | 1 | PUMP KIT 460/463 "06" |
| 82168700 | 1 | PUMP 464-12 540 OFFSET PORTS |
| 82168800 | 1 | PUMP 464 6.5 1000 OFFSET PORTS |
| 82169400 | 1 | PUMP 464-6.5-STD-2-1000 FK |





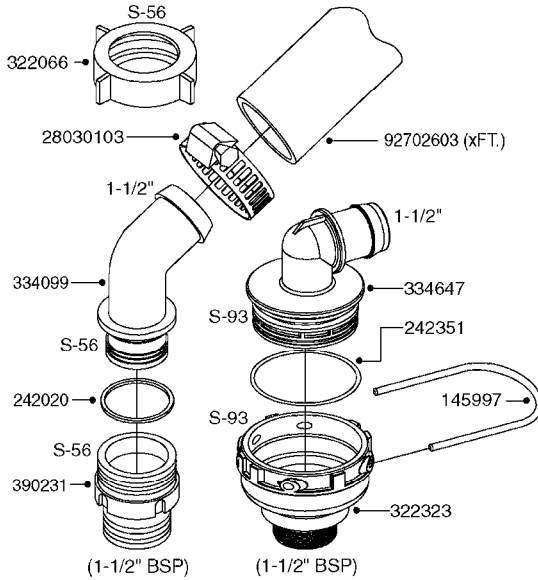
PUMP - 464 540/1000 RPM
A0350-HIN, 22:02:16

Page 1
Date 04.11.2017 13:04

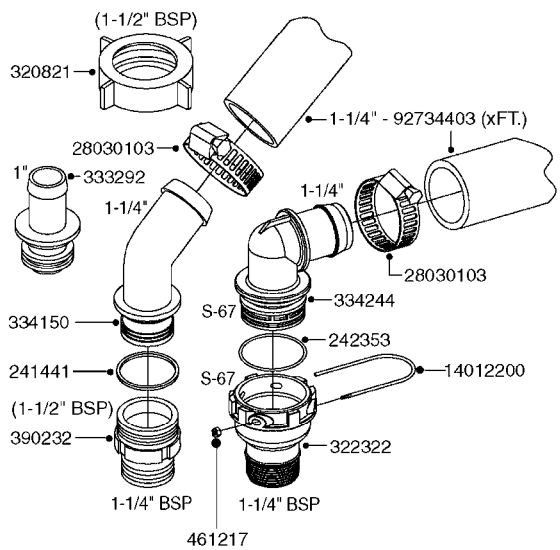
| Pos. | parts-n° | order qty | description |
|------|----------|-----------|--------------------------------------|
| 1 | 111622 | 1 | CONNECTING ROD 463/5.5MM |
| 1 | 111623 | 1 | CONNECTING ROD 463/10MM |
| 1 | 111624 | 1 | CONNECTING ROD 463/12MM |
| 1 | 111645 | 1 | CONNECTING ROD 463/6.5MM |
| 2 | 145996 | 1 | FITT.DK S-67 FORK |
| 3 | 145997 | 1 | FITT.DK S-93 FORK |
| 4 | 161012 | 1 | DIAPHRAGM BACKING DISC F. 463 |
| 5 | 161175 | 1 | DIAPHRAGM DISC 463/464 PUMP |
| 6 | 210221 | 1 | BEARING BALL 6407 |
| 7 | 210232 | 1 | BEARING BALL 6310 |
| 8 | 210243 | 1 | SEAL OIL 35 X 47 X 7 |
| 9 | 241404 | 1 | DOWTY SEAL 1/4" |
| 10 | 242374 | 1 | WASHER Ø10/Ø6X1 COPPER |
| 11 | 330072 | 1 | O-RING D53.5/D45.5X4 |
| 12 | 421072 | 1 | BOLT HEX 8.8 RAW M10X65 |
| 13 | 430312 | 1 | BOLT HEX 8.8 RAW M12X60 |
| 14 | 430437 | 1 | BOLT HEX 8.8 RAW M12X65 |
| 15 | 450995 | 1 | BOLT ALLEN M8X30 DIN 912 RAW |
| 16 | 614628 | 1 | FOOT F. 46X PUMP, RED |
| 17 | 11171900 | 1 | CONROD RING 364/464 MACHINED |
| 18 | 11172200 | 1 | PUMP HOUSE 464 MACHINED 5/4" BSP RED |
| 19 | 11172600 | 1 | FRONTPART 464 MACHINED 2" BSP RED |
| 20 | 11173000 | 1 | VALVE COVER.463/464 MACHINED RED |
| 21 | 14010400 | 1 | PLUG 1/4" BSP |
| 22 | 14120400 | 1 | BANJOBOLT M6 X 19 |
| 23 | 14120700 | 1 | COUNTERWEIGHT 364/464-1000 |
| 24 | 14137300 | 1 | CRANKSHAFT 364/464-5.5 1000 |
| 24 | 14137400 | 1 | CRANKSHAFT 364/464-6.5 1000 |
| 25 | 14137600 | 1 | CRANKSHAFT 364/464-10 |
| 25 | 14137700 | 1 | CRANKSHAFT 464-12 |
| 26 | 14137900 | 1 | CRANKSHAFT 364/464-5.5 GG 1000 |
| 26 | 14138000 | 1 | CRANKSHAFT 364/464-6.5 GG 1000 |
| 27 | 14138200 | 1 | CRANKSHAFT 364/464-10 GG |
| 27 | 14138300 | 1 | CRANKSHAFT 464-12 GG |
| 28 | 16383000 | 1 | GREASE NIPPLE PLATE 464 |
| 29 | 16390600 | 1 | BRACKET FOR RPM SENSOR |
| 30 | 24266600 | 1 | O-RING D 38,0 X 4,0 70SH.NITR |
| 31 | 24266800 | 1 | O-RING D 54,0 X 4,0 70SH.NITR |
| 32 | 28045503 | 1 | LOCTITE 262 .5ML (.017oz.) |
| 33 | 28163300 | 1 | GREASE NIPPLE H1 M6X1 DIN 7412 |
| 34 | 28163400 | 1 | CAP F. GREASENIPPLE YELLOW M6X1 |
| 35 | 28164600 | 1 | HARDI PUMP GREASE S3 V550L 1 |
| 36 | 32242200 | 1 | FITTING S67 5/4" KON. RG 2014 |
| 37 | 32242400 | 1 | FITTING S93 2" KON. RG 2014 |
| 38 | 33511600 | 1 | DIAPHRAGM PUMP 463/464 PUMP PUR |
| 39 | 33524000 | 1 | COVER PLASTIC 464 PUMP |
| 40 | 33527200 | 1 | GREASE SPLIT 364/464 |
| 41 | 39136200 | 1 | HALFPART 364/464-1000 |
| 42 | 43099200 | 1 | BOLT HEX SS M12 X 30 DIN933 A4 |
| 43 | 46134000 | 1 | NUT HEX M10x1 H=2.3 NV=14 ELZIN |
| 44 | 61097000 | 1 | BANJOTUBE SHORT 464 COMPL. |
| 45 | 61097100 | 1 | BANJOTUBE LONG 464 COMPL. |
| 46 | 72043600 | 1 | VALVE FOR 462/463 |
| 47 | 72993500 | 1 | PUMP 464-12-540, CM |
| 47 | 72993600 | 1 | PUMP 464-6.5 MED-2-1000 |
| 47 | 82168700 | 1 | PUMP 464-12 540 OFFSET PORTS |
| 47 | 82168800 | 1 | PUMP 464 6.5 1000 OFFSET PORTS |
| 47 | 82169000 | 1 | PUMP 464-10-MOD-2-540 |
| 48 | 75586000 | 1 | PUMP KIT 464 |



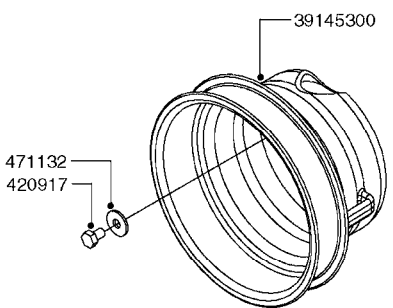
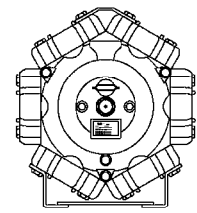
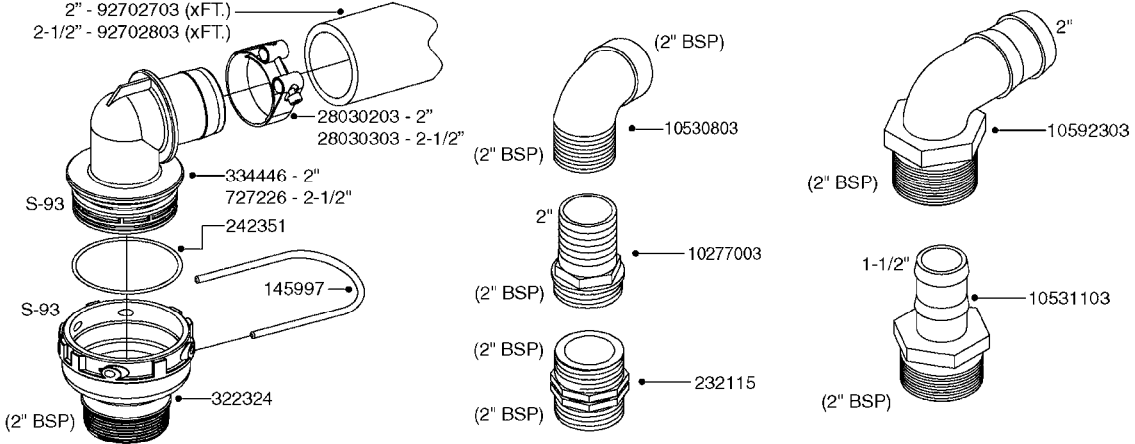
SUCTION SIDE OF PUMP (WITH 1-1/2" SUCTION PORT)



PRESSURE SIDE OF PUMP



SUCTION SIDE OF PUMP (WITH 2" SUCTION PORT)



COMPLETE PUMP
(NLA) REPLACED BY 464 PUMP (SEE PAGE A0350)

A0390

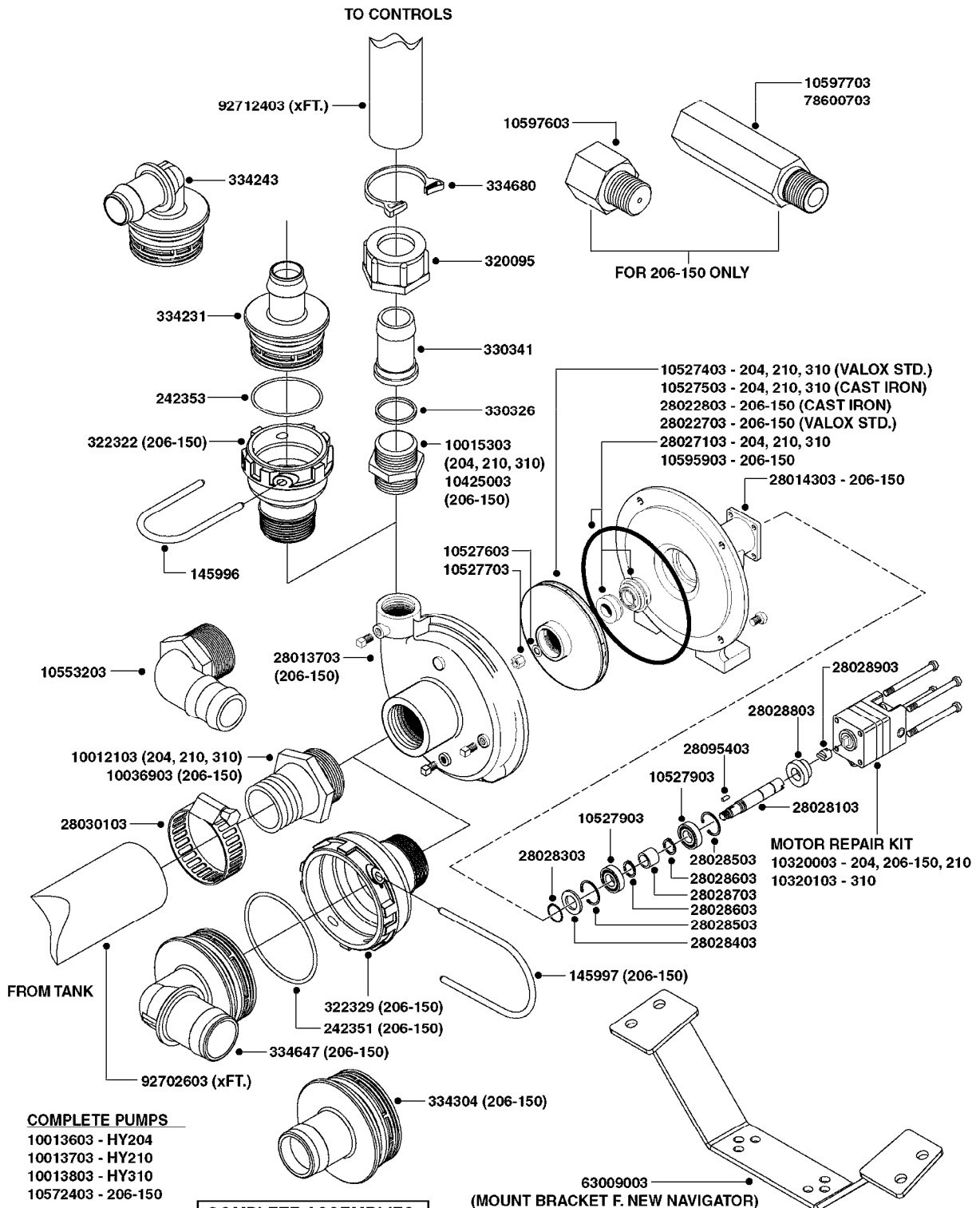


PUMP - 460/462/463 FITTINGS
A0390-HIN, 23:02:16

Page 1

Date 04.11.2017 13:04

| parts-n° | order qty | description |
|----------|-----------|----------------------------------|
| 145997 | 1 | FITT.DK S-93 FORK |
| 232115 | 1 | FITT HEX NIPPLE 2'-2' BSP |
| 241441 | 1 | O-RING D29.3X3 |
| 242020 | 1 | O-RING 39.2 X 3 VITON |
| 242351 | 1 | O-RING D69.5X3.0 VITON F.S-93 |
| 242353 | 1 | O-RING D44.2X3.0 VITON F.S-67 |
| 320821 | 1 | FITT.DK NUT 1-1/2" BSP |
| 322066 | 1 | FITT.DK S-56 NUT |
| 322322 | 1 | FITT.DK S-67 X 1-1/4"BSP MALE |
| 322323 | 1 | FITT.DK S-93 X 1-1/2"BSP MALE |
| 322324 | 1 | FITTING S93 FEMALE - BSP 2" MALE |
| 333292 | 1 | FITT.DK HB 1"O'RING F.1-1/2" |
| 334099 | 1 | FITT.DK S-61 ELB.1-1/2"110 DEG |
| 334150 | 1 | FITT.DK HB 1-1/4" 110 F.1-1/2" |
| 334244 | 1 | HOSE TAIL 90° S67 1"1/4 |
| 334446 | 1 | FITT.DK S-93 ELB.2" PVC |
| 334647 | 1 | FITT.DK S93 ELB 1-1/2" 90 PVC |
| 390231 | 1 | FITT.DK NIPPLE 1-1/2 X S56 |
| 390232 | 1 | FITT.DK HN 1-1/2' X 1-1/4' BSP |
| 420917 | 1 | BOLT HEX 8.8 RAW M8X12 FT |
| 461217 | 1 | NUT HEX M5 LOCK |
| 471132 | 1 | WASHER D24/D8.4 X 2 SS |
| 727226 | 1 | FITT. S93 2-1/2" 90° S W/O-RING |
| 10277003 | 1 | FITT.PO.HB 2.00X2.00 MCPHEE |
| 10530803 | 1 | FITT.PO.SE 2.00X2.00 45 DEG. |
| 10531103 | 1 | FITT.PO.HB 2.00"NPT X 1.50"HOS |
| 10592303 | 1 | FITT.PO.HB 2.00X 2.00BSP 90DEG |
| 14012200 | 1 | FITT.DK S-67 FORK W/M5 THREADS |
| 28030103 | 1 | CLAMP HOSE GEAR P5/4-S1.5"6724 |
| 28030203 | 1 | CLAMP HOSE T-BOLT S2" 235-67 |
| 28030303 | 1 | CLAMP HOSE T-BOLT S2.5" 235-76 |
| 39145300 | 1 | PTO SHIELD Ø203 4-POLET MACHINED |
| 92702603 | 1 | HOSE PVC SUCT GRAY 1-1/2" |
| 92702703 | 1 | HOSE PVC SUCT GRAY 2" |
| 92702803 | 1 | HOSE PVC SUCT GRAY 2.5" |
| 92734403 | 1 | HOSE R X5/4" X200PSI WP X0012" |



- COMPLETE PUMPS**
- 10013603 - HY204
 - 10013703 - HY210
 - 10013803 - HY310
 - 10572403 - 206-150

COMPLETE ASSEMBLIES
WHOLEGOODS ITEMS

A0420



PUMP-204,206-150,210,310 ACE
A0420-HIN, 02:05:16

Page 1

Date 04.11.2017 13:04

| parts-n° | order qty | description |
|----------|-----------|--------------------------------|
| 145996 | 1 | FITT.DK S-67 FORK |
| 145997 | 1 | FITT.DK S-93 FORK |
| 242351 | 1 | O-RING D69.5X3.0 VITON F.S-93 |
| 242353 | 1 | O-RING D44.2X3.0 VITON F.S-67 |
| 320095 | 1 | FITT.DK NUT 1" BSP |
| 322322 | 1 | FITT.DK S-67 X 1-1/4"BSP MALE |
| 322329 | 1 | FITT.DK S-93 X 1-1/2"BSP MALE2 |
| 330326 | 1 | O-RING D30/D24X2 F.1"NUT |
| 330341 | 1 | FITT.DK HB 1" F. 1" NUT |
| 334231 | 1 | HOSE TAIL S67 STRAIGHT 1" |
| 334243 | 1 | HOSE TAIL 90° S67 1" |
| 334304 | 1 | FITT.DK S-93 STR.1-1/2" PVC |
| 334647 | 1 | FITT.DK S93 ELB 1-1/2" 90 PVC |
| 334680 | 1 | CLAMP HOSE PLASTIC 1" |
| 10012103 | 1 | FITT.PO.HB 1.25X1.50 IMB1012 |
| 10013603 | 1 | PUMP ACE HY 204 |
| 10013703 | 1 | PUMP ACE HY 210 |
| 10013803 | 1 | PUMP ACE HY 310 |
| 10015303 | 1 | FITT.PO.HN 1.00X1.00 M1000 |
| 10036903 | 1 | FITT.PO.HB 1.50X1.50 IMB1212 |
| 10320003 | 1 | MOTOR REPAIRKIT ACE204,206,210 |
| 10320103 | 1 | MOTOR REPAIR KIT ACE 304,310 |
| 10425003 | 1 | FITT.PO.HN 1.25X1.00 MCPHEE |
| 10527403 | 1 | IMPELLER VALOX F.ACE PUMP |
| 10527503 | 1 | IMPELLER CASTIRON F.ACE PUMP |
| 10527603 | 1 | WASHER 3/8' F.ACE PUMP |
| 10527703 | 1 | NUT HEX NF 3/8 F.ACE PUMP |
| 10527903 | 1 | BEARING F.ACE PUMP (#40870) |
| 10553203 | 1 | FITT.PO.EL 1.5X1.5 HB BLACK |
| 10572403 | 1 | PUMP ACE HY 206 SERIES 150 |
| 10595903 | 1 | REPAIR KIT ACE 206-150 |
| 10597603 | 1 | ORIFACE RESTRICTOR F. ACE 206 |
| 10597703 | 1 | FITT, HYD FLOW FUSE ACE 206OLD |
| 28013703 | 1 | PUMP HOUSING FRONT ACE 206-150 |
| 28014303 | 1 | PUMP HOUSING W.FEET 206-150 |
| 28022703 | 1 | IMPELLER THERMOPLASTIC |
| 28022803 | 1 | IMPELLER CAST IRON |
| 28027103 | 1 | REPAIR KIT ACE 204,210,304,310 |
| 28028103 | 1 | SHAFT 5/8"DIA.1/2"KEYWAY SS |
| 28028303 | 1 | O-RING, SHAFT SEAL |
| 28028403 | 1 | SLINGER |
| 28028503 | 1 | SNAP RING - INTERNAL |
| 28028603 | 1 | SNAP RING - EXTERNAL |
| 28028703 | 1 | SPACER FOR SHAFT |
| 28028803 | 1 | SEAL SUPPORT SPACER 200 SERIES |
| 28028903 | 1 | COUPLING FOR HYDRAULIC MOTOR |
| 28030103 | 1 | CLAMP HOSE GEAR P5/4-S1.5"6724 |
| 28095403 | 1 | KEY F.IMPELLER 1/8"X1/8"X1/2" |
| 63009003 | 1 | CENTRIFUGAL PUMP BRACKET |
| 78600703 | 1 | FITT, HYD FLOW FUSE ACE 206N |
| 92702603 | 1 | HOSE PVC SUCT GRAY 1-1/2" |
| 92712403 | 1 | HOSE R X1" X300PSI WP X0012" |

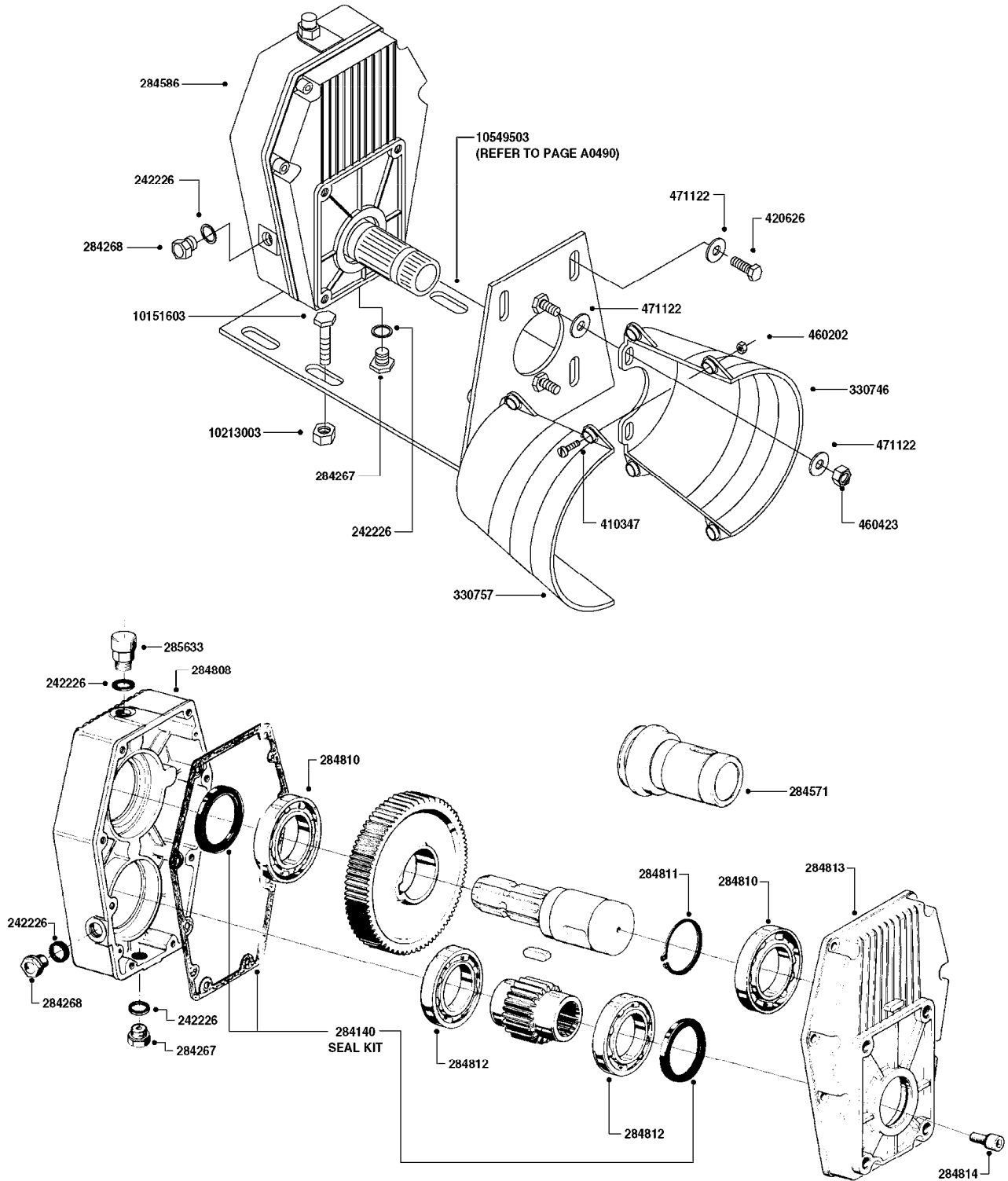


PUMP 9016/9018 HYPRO CENT.
A0470-HIN, 01:01:16

Page 1

Date 04.11.2017 13:04

| parts-n° | order qty | description |
|----------|-----------|--------------------------------|
| 10012903 | 1 | PUMP HYPRO C9016 540 RPM 90023 |
| 10013103 | 1 | PUMP HYPRO 9018C CENT.1000 RPM |
| 10036903 | 1 | FITT.PO.HB 1.50X1.50 IMB1212 |
| 10324803 | 1 | PUMP CASING |
| 10325603 | 1 | IMPELLER NYLON |
| 10325903 | 1 | IMPELLER SHAFT |
| 10329403 | 1 | CUSHION BUMPER |
| 10329903 | 1 | KEY WOODRUFF |
| 10331203 | 1 | O-RING |
| 10331403 | 1 | RING RETAINING |
| 10331503 | 1 | SNAP-RING |
| 10331803 | 1 | RING RETAINING |
| 10332403 | 1 | BEARING BALL |
| 10332503 | 1 | BEARING INNER RACE |
| 10332803 | 1 | BEARING BALL |
| 10333303 | 1 | SEAL KIT F. HYPRO 9016/18 BUNA |
| 10333403 | 1 | SEAL KIT F.HYPRO 9016/18 VITON |
| 10333503 | 1 | BEARING SHIELD & OIL SEAL |
| 10334203 | 1 | NUT HEX CAP HYPRO PUMP |
| 10334303 | 1 | WASHER 32OD X 19ID X 2.5TK PLA |
| 10334403 | 1 | WASHER 32OD X13ID X 1.5 |
| 10340003 | 1 | RING GEAR |
| 10340103 | 1 | PINION GEARED IMPELLER SHAFT |
| 10340203 | 1 | SUN GEAR |
| 10425003 | 1 | FITT.PO.HN 1.25X1.00 MCPHEE |
| 10439903 | 1 | MOUNTING FLANGE ADAPTOR |
| 10440003 | 1 | SCREW HEX HEAD CAP |
| 10440103 | 1 | SCREW HEX HEAD CAP |
| 10440203 | 1 | GEAR W BGRS.540 RPM (DRIVER) |
| 10440303 | 1 | GEAR W BGRS. 1000 RPM (DRIVER) |
| 10440403 | 1 | RING RETAINER HYPRO 1K CENT. |
| 10440503 | 1 | DRIVER HUB 540 RPM |
| 10440603 | 1 | DRIVER HUB 1000 RPM |
| 10440703 | 1 | KEY SQ 1/4"x1-1/2" |
| 10440803 | 1 | RING RETAINER |
| 10440903 | 1 | OIL SEAL |
| 10441003 | 1 | SCREW HEX HEAD CAP |
| 10441103 | 1 | GEAR CASING |
| 10441203 | 1 | OIL FILL PLUG |
| 10441303 | 1 | O-RING |
| 10441403 | 1 | OIL PLUG |
| 10443103 | 1 | WASHER SEAL (PAPER) |
| 10443203 | 1 | O-RING |
| 10498003 | 1 | CASTING F.HYPRO 9016/18 (GEAR) |
| 10498103 | 1 | PLUG F.HYPRO GEAR CASTING 9016 |
| 10553203 | 1 | FITT.PO.EL 1.5X1.5 HB BLACK |
| 10609003 | 1 | PUMP BASE HYPRO NAV. |
| 160151 | 1 | SHEILD FOR 9016 PUMP ESC |
| 160907 | 1 | MOUNT PLATE F.CENT.PUMP MEGA |
| 28030103 | 1 | CLAMP HOSE GEAR P5/4-S1.5"6724 |
| 320095 | 1 | FITT.DK NUT 1" BSP |
| 330326 | 1 | O-RING D30/D24X2 F.1"NUT |
| 330341 | 1 | FITT.DK HB 1" F. 1" NUT |
| 334680 | 1 | CLAMP HOSE PLASTIC 1" |
| 92702603 | 1 | HOSE PVC SUCT GRAY 1-1/2" |
| 92712403 | 1 | HOSE R X1" X300PSI WP X0012" |



GEAR LUBE REQUIREMENT
SAE 90 GEAR LUBE
(FILL TO SIGHT GAUGE CENTER)

COMPLETE ASSEMBLIES
WHOLEGOODS ITEMS

A0480

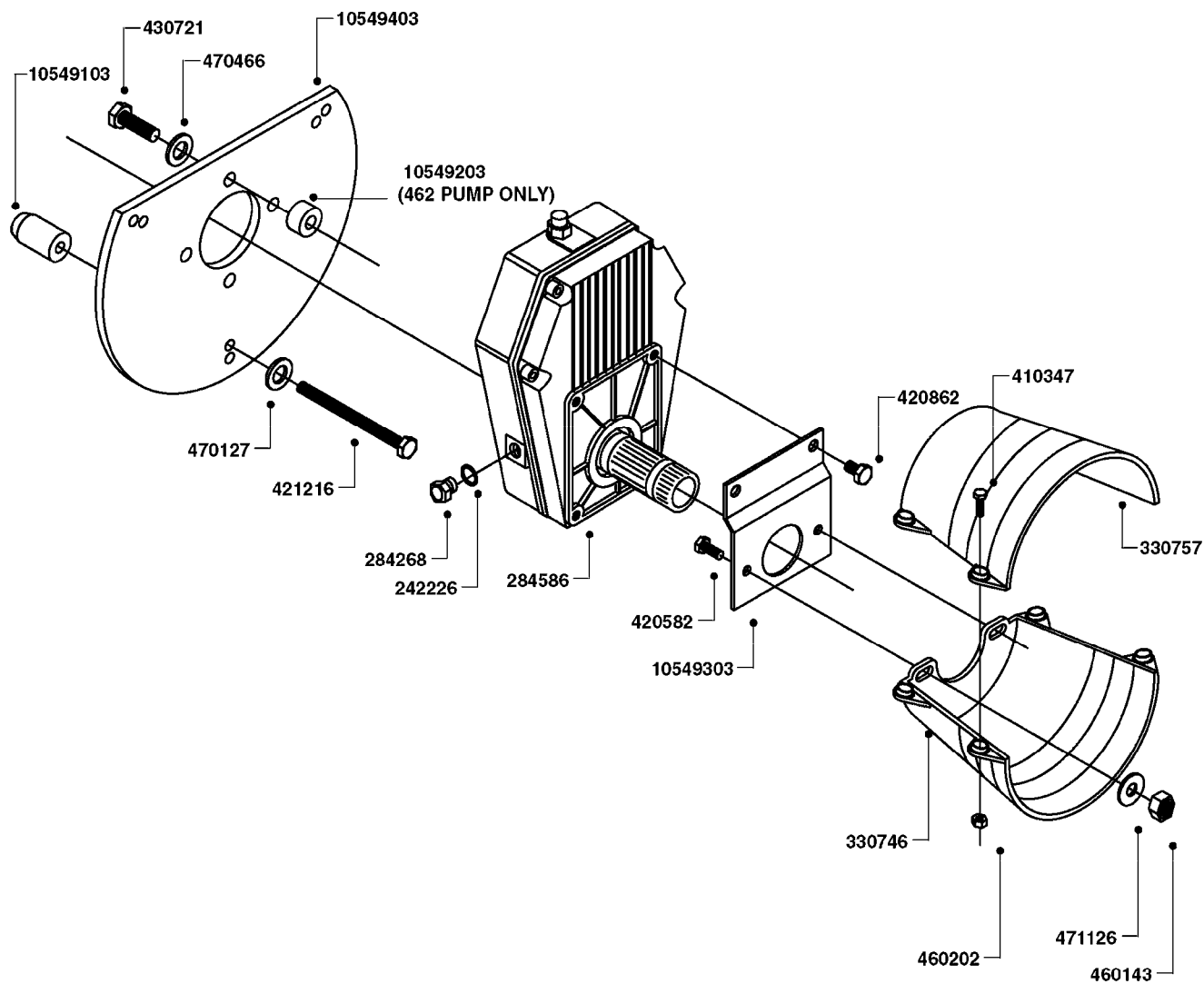


GEAR DRIVE 1000RPM 361-3/460-3
A0480-HIN, 01:01:16

Page 1

Date 04.11.2017 13:04

| parts-n° | order qty | description |
|----------|-----------|-----------------------------------|
| 242226 | 1 | SEAL WASHER F.BOTTOM PLUG |
| 284140 | 1 | GASKET SET FOR GEAR ML52 1/3 |
| 284267 | 1 | BOTTOM PLUG F. GEAR ML52 |
| 284268 | 1 | LEVEL INDICATOR GEAR ML 52 |
| 284571 | 1 | SHAFT F.ML52 |
| 284586 | 1 | GEAR BOX 1000 RPM |
| 284808 | 1 | HOUSING F.ML52 GEARBOX |
| 284810 | 1 | BEARING INNER ML52 GEARBOX |
| 284811 | 1 | SNAP-RING OUTER 46X2 |
| 284812 | 1 | BEARING OUTER ML52 GEARBOX |
| 284813 | 1 | ENDCOVER F.ML52 GEARBOX |
| 284814 | 1 | SCREW F.END COVER ML52 GEARBOX |
| 285633 | 1 | BOTTOM PLUG F.M7 GEAR |
| 330746 | 1 | GUARD PTO LOWER PART SHORT |
| 330757 | 1 | GUARD PTO UPPER PART SHORT |
| 410347 | 1 | SCREW M6X20 8.8 |
| 420626 | 1 | BOLT HEX 8.8 DEL M10X20 FT |
| 460202 | 1 | NUT HEX M6 |
| 460423 | 1 | NUT HEX M10X1.50 LOCK DIN985A2 SS |
| 471122 | 1 | WASHER, M10, Ø20/10.5X 2.0, SS |
| 10151603 | 1 | BOLT HEX 7/16 NC GR.2 01.50' |
| 10213003 | 1 | NUT HEX NC (NYLON LOCK) 7/16" |
| 10549503 | 1 | GEAR BOX KIT 1000 RPM LESS G/B |



10549503 - KIT WITHOUT GEARBOX
10549603 - COMPLETE KIT WITH GEARBOX

COMPLETE ASSEMBLIES
WHOLEGOODS ITEMS

A0490

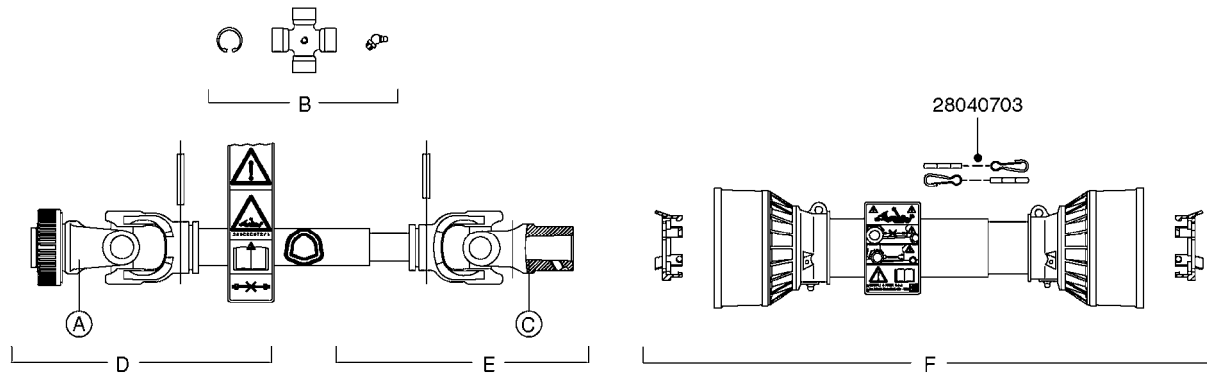


GEAR BOX KIT 1000 RPM
A0490-HIN, 01:01:16

Page 1

Date 04.11.2017 13:04

| parts-n° | order qty | description |
|----------|-----------|----------------------------------|
| 10549103 | 1 | BUSHING D28/D10.5X50 |
| 10549203 | 1 | BUSHING D28/D12.5X16 |
| 10549303 | 1 | MOUNT PLATE PTO COVER 1000 RPM |
| 10549403 | 1 | MOUNT PLATE F.G/BOX 1000 PRM |
| 10549503 | 1 | GEAR BOX KIT 1000 RPM LESS G/B |
| 10549603 | 1 | GEAR BOX KIT 1000 RPM 361/462 |
| 242226 | 1 | SEAL WASHER F.BOTTOM PLUG |
| 284268 | 1 | LEVEL INDICATOR GEAR ML 52 |
| 284586 | 1 | GEAR BOX 1000 RPM |
| 330746 | 1 | GUARD PTO LOWER PART SHORT |
| 330757 | 1 | GUARD PTO UPPER PART SHORT |
| 410347 | 1 | SCREW M6X20 8.8 |
| 420582 | 1 | BOLT HEX 8.8 DEL M8X20 FT A2 |
| 420862 | 1 | BOLT HEX 8.8 DEL M10X16 FT |
| 421216 | 1 | BOLT HEX 8.8 DEL M10X130 |
| 430721 | 1 | BOLT HEX 8.8 DEL M12X40 FT |
| 460143 | 1 | NUT HEX M8X1.25 LOCK DIN985A2 SS |
| 460202 | 1 | NUT HEX M6 |
| 470127 | 1 | WASHER D15D10X2 M10 LOCK |
| 470466 | 1 | WASHER D21.1/D12.2X2.5 LOCK |
| 471126 | 1 | WASHER, M8, Ø16/ 8.4X 1.6, SS |



| PTO | TRACTOR | IMPLEMENT | LENGTH | A | B | C | D | E | F |
|----------|---------------------|---------------------|-----------|----------|----------|----------|----------|----------|----------|
| 28020203 | 1-3/4" 20-SPLINE | 1-3/8" 21-SPLINE | 860/1313 | 28015703 | 28009403 | 28040603 | 28015803 | 28015903 | 28016003 |
| 28020303 | 1-3/8" 21-SPLINE | 1-3/8" 21-SPLINE | 860/1328 | 28015103 | 28015203 | 28015303 | 28015403 | 28015503 | 28015603 |
| 829445 | 1-3/8" 6-SPLINE | 1-3/8" 6-SPLINE | 810/1219 | 284041 | 289045 | 289041 | 28016703 | 28016803 | 289050 |
| 829446 | 1-3/8" 6-SPLINE | 1-3/8" 6-SPLINE | 810/1230 | 289040 | 284041 | 289040 | 28016203 | 28016303 | 289049 |
| 829480 | 1-3/8" 21-SPLINE | 1-3/8" 21-SPLINE | 1210/1912 | 28005200 | 289042 | 28005800 | 28006700 | 28007300 | 28008100 |
| 829482 * | 1-3/8" 6-SPLINE | Ø25 CONE 3 | 610/912 | 28005400 | 289042 | 28006000 | 28008500 | 28007500 | 28008600 |
| 829483 * | 1-3/8" 6-SPLINE | Ø30 CONE 4 | 610/912 | 28005400 | 289042 | 28006100 | 28008500 | - | 28008600 |
| 829484 * | 1-3/8" 6-SPLINE | 1-3/8" 6-SPLINE | 610/912 | 28005400 | 289042 | 28006200 | 28008500 | - | 28008600 |
| 829486 | 1-3/8" 6-SPLINE | Ø30 CONE 4 | 860/1328 | 28005400 | 289042 | 28006100 | 28006900 | - | 28008100 |
| 829487 * | 1-3/8" 6-SPLINE | 1-3/8" 6-SPLINE | 860/1328 | 28005400 | 289042 | 28006200 | 28006900 | - | 28008100 |
| 829490 | 1-3/8" 6-SPLINE | Ø30 CONE 4 | 1210/1912 | 28005400 | 289042 | 28006100 | 28006900 | - | 28008100 |
| 829491 | 1-3/8" 6-SPLINE | Ø1" | 610/912 | 28005400 | 289042 | 28006300 | 28008500 | 28007800 | 28008600 |
| 829502 * | 1-3/8" 6-SPLINE | 1-3/8" 6-SPLINE | 1210/1912 | 28068800 | 28069700 | 28073000 | - | - | 28072800 |

* Supplier changed in 2011 - see page A0580 for "AMA" PTO's (yellow and black shields).

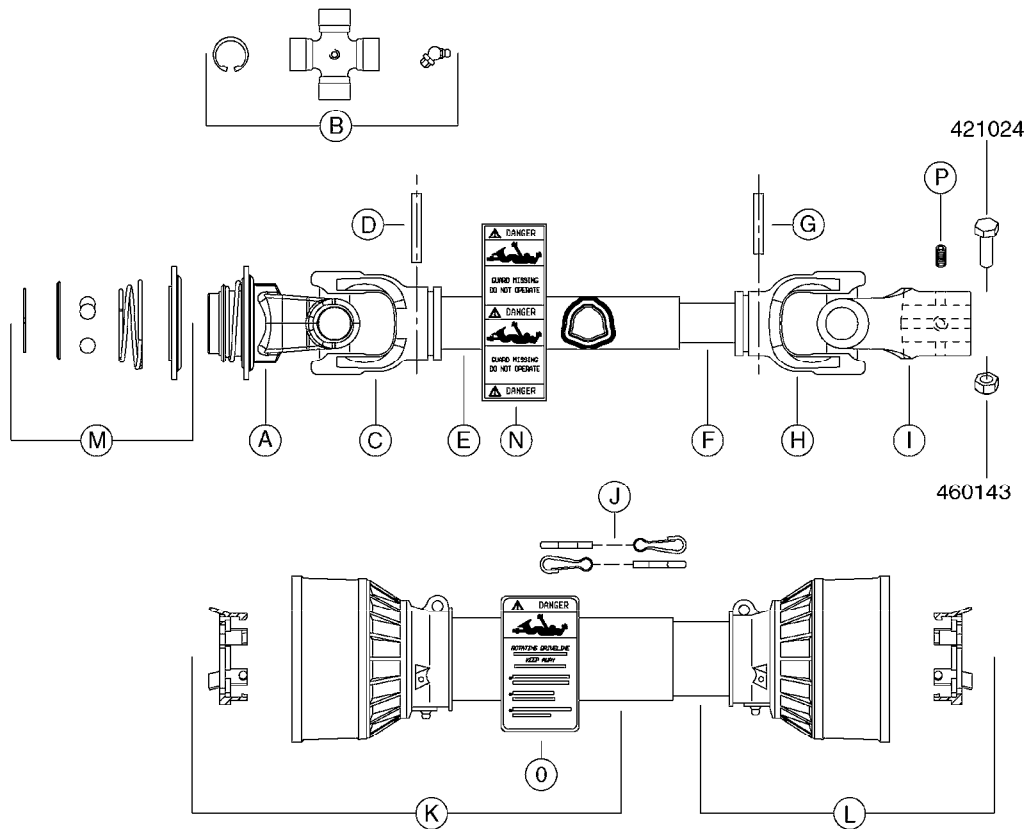
A0510



PTO SHAFTS - BONDIOLI DIAPH.
A0510-HIN, 01:01:16

Page 1
Date 04.11.2017 13:04

| parts-n° | order qty | description |
|----------|-----------|--|
| 284041 | 1 | UNIV. JOINT 27x70mm |
| 289040 | 1 | PTO YOKE 1-3/8" X 6 SPLINE |
| 289041 | 1 | PTO YOKE 1-3/8" X 6 SPLINE |
| 289042 | 1 | UNIV. JOINT 22x54mm |
| 289045 | 1 | UNIV. JOINT 30.2x79.4mm |
| 289049 | 1 | PTO SHIELD COMPLETE F.829446 |
| 289050 | 1 | PTO SHIELD COMPLETE F.829445 |
| 829445 | 1 | PTO 1-3/8/6X1-3/8/6X810M AXIAL |
| 829446 | 1 | PTO SHAFT LE-SPV + LP ZE-P540 |
| 829480 | 1 | PTO 1-3/8/21 x 1-3/8/21x1210MM |
| 829482 | 1 | PTO 1-3/8/6X25MM X 600MM 1202 |
| 829483 | 1 | PTO 1-3/8/6X30MM x 610MM 1302 |
| 829484 | 1 | PTO 1-3/8/6X1-3/8/6X575MM 361 |
| 829486 | 1 | PTO 1-3/8/6X30MM X870MM 1302 |
| 829487 | 1 | PTO 1-3/8/6X1-3/8/6X870MM 361 |
| 829490 | 1 | PTO 1-3/8/6X30MM 1320MM 1302 |
| 829491 | 1 | PTO 1-3/8/6X1' 610/913MM 9016 |
| 829502 | 1 | PTO 1-3/8/6x1210/1745 |
| 28005200 | 1 | PTO YOKE 1-3/8" X 21 SPLINE |
| 28005400 | 1 | PTO YOKE 1-3/8" X 6 SPLINE |
| 28005800 | 1 | PTO YOKE 1-3/8" X 21 SPLINE |
| 28006000 | 1 | PTO YOKE D25 CONE 3 DEG. |
| 28006100 | 1 | PTO YOKE D30 CONE 4 DEG. |
| 28006200 | 1 | PTO YOKE 1-3/8" X 6 SPLINE |
| 28006300 | 1 | PTO YOKE D1" |
| 28006700 | 1 | PTO HALF SHAFT - TRACTOR END |
| 28006900 | 1 | PTO HALF SHAFT - TRACTOR END |
| 28007300 | 1 | PTO INNER D1" (NO SHIELD) |
| 28007500 | 1 | PTO INNER D1" (NO SHIELD) |
| 28007800 | 1 | PTO INNER D1" (NO SHIELD) |
| 28008100 | 1 | PTO SHIELD COMPLETE |
| 28008500 | 1 | PTO HALF SHAFT - TRACTOR END |
| 28008600 | 1 | PTO SHIELD ASSY COMPLETE |
| 28009403 | 1 | UNIV. JOINT 27x74.6mm |
| 28015103 | 1 | PTO YOKE 1-3/8"X21 TWST OLD |
| 28015203 | 1 | UNIV. JOINT 23.8x61.3mm |
| 28015303 | 1 | PTO YOKE 1-3/8"X21 BALL COLLAR |
| 28015403 | 1 | PTO OUTER 1-3/8"X21 (SHIELDED) |
| 28015503 | 1 | PTO INNER 1-3/8"X21 (NO SHIELD) |
| 28015603 | 1 | PTO SHIELD COMPLETE F.28020303 |
| 28015703 | 1 | PTO YOKE 1-3/4"X20 SPL OUTER |
| 28015803 | 1 | PTO OUTER 1-3/4"X20 (NO SHIELD) |
| 28015903 | 1 | PTO INNER 1-3/8"X21 (NO SHIELD) |
| 28016003 | 1 | PTO SHIELD COMPLETE F.10465803 |
| 28016203 | 1 | PTO OUTER 1-3/8"X6 (SHIELDED) |
| 28016303 | 1 | PTO INNER 1-3/8"X6 (NO SHIELD) |
| 28016703 | 1 | PTO OUTER 1-3/8"X6 (NO SHIELD) |
| 28016803 | 1 | PTO INNER 1-3/8"X6 (NO SHIELD) |
| 28020203 | 1 | PTO 1-3/4/20x1-3/8/21 BP L=860 |
| 28020303 | 1 | PTO 1-3/8/21 x 1-3/8/21 B&P |
| 28040603 | 1 | PTO YOKE 1-3/8X21SPL BLACK |
| 28040703 | 1 | SAFETY CHAIN F.CV BLACK PTO (SET OF 2) |
| 28068800 | 1 | PTO YOKE 1-3/8" X 6 SPLINE |
| 28069700 | 1 | UNIV. JOINT STD1 SFT |
| 28072800 | 1 | PTO SHIELD COMPLETE L=1912 SFT |
| 28073000 | 1 | PTO YOKE 1-3/8" X 6 SPLINE |



**COMPLETE ASSEMBLIES
WHOLEGOOD ITEMS**

| PTO # | 28021403 | 28021503 | 28021603 |
|-----------|-----------------|------------------|------------------|
| TRACTOR | 1-3/8" 6 SPLINE | 1-3/8" 21 SPLINE | 1-3/4" 20 SPLINE |
| IMPLEMENT | D1" | D1" | D1" |
| LENGTH | 1031/1501 | 1031/1499 | 1066/1519 |
| A | 28056703 | 28056803 | 28056903 |
| B | 289042 | 289042 | 28040503 |
| C | 28057003 | 28057003 | 28057103 |
| D | 28057203 | 28057203 | 28009803 |
| E | 28057303 | 28057303 | 28057403 |
| F | 28057503 | 28057503 | 28057603 |
| G | 28057703 | 28057703 | 28009903 |
| H | 28058503 | 28058503 | 28010103 |
| I | 28057803 | 28057803 | 28057903 |
| J | 28040703 | 28040703 | 28040703 |
| K | 28058003 | 28058003 | 28058103 |
| L | 28058203 | 28058203 | 28058303 |
| M | 28027903 | 28027903 | 28058403 |
| N | 28041803 | 28041803 | 28041803 |
| O | 28041903 | 28041903 | 28041903 |
| P | 450015 | 450015 | 450015 |

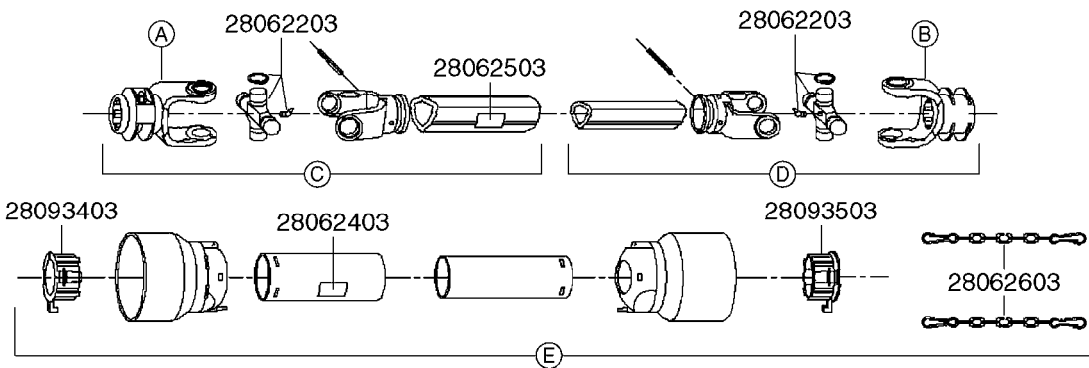
A0520



PTO SHAFTS - BONDIOLI CENT.
A0520-HIN, 19:05:16

Page 1
Date 04.11.2017 13:04

| parts-n° | order qty | description |
|----------|-----------|--|
| 289042 | 1 | UNIV. JOINT 22x54mm |
| 421024 | 1 | BOLT HEX 8.8 DEL M8X60 |
| 450015 | 1 | SCREW ALLAN 3/8'X5/8' BLACK |
| 460143 | 1 | NUT HEX M8X1.25 LOCK DIN985A2 SS |
| 28009803 | 1 | PTO PIN TUBE RETAINER OUTER |
| 28009903 | 1 | PTO TUBE RETAINER INNER |
| 28010103 | 1 | PTO YOKE F.INNER TUBE CV PTO |
| 28021403 | 1 | PTO 1"STR/1-3/8" 6SPL B&P |
| 28021503 | 1 | PTO 1"STR/1-3/8" 21SPL B&P |
| 28021603 | 1 | PTO 1"STR/1-3/4" 20SPL B&P |
| 28027903 | 1 | PTO BALL LOCK.KIT F.1-3/8 YOKE |
| 28040503 | 1 | UNIV. JOINT 27x74.6mm |
| 28040703 | 1 | SAFETY CHAIN F.CV BLACK PTO (SET OF 2) |
| 28041803 | 1 | DECAL DANGER GUARD MISSING |
| 28041903 | 1 | DECAL DANGER ROT.DRIVELINE |
| 28056703 | 1 | PTO YOKE #1 1-3/8" X 6 SPLINE |
| 28056803 | 1 | PTO YOKE #1 1-3/8" X 21 SPLINE |
| 28056903 | 1 | PTO YOKE #4 1-3/4" X 20 SPLINE |
| 28057003 | 1 | PTO TUBE YOKE #1-G1 OUTER |
| 28057103 | 1 | PTO TUBE YOKE #4-G4 OUTER |
| 28057203 | 1 | PTO PIN TUBE RETAINER OUTER |
| 28057303 | 1 | PTO TUBE OUTER #1 745MM |
| 28057403 | 1 | PTO TUBE OUTER #4 720MM |
| 28057503 | 1 | PTO TUBE INNER #1 745MM |
| 28057603 | 1 | PTO TUBE INNER #4 720MM |
| 28057703 | 1 | PTO TUBE RETAINER INNER |
| 28057803 | 1 | PTO TUBE YOKE #1 Ø=1" |
| 28057903 | 1 | PTO TUBE YOKE #4 Ø=1" |
| 28058003 | 1 | PTO HALF SAFETY SHIELD OUTER |
| 28058103 | 1 | PTO HALF SAFETY SHIELD OUTER |
| 28058203 | 1 | PTO HALF SAFETY SHIELD INNER |
| 28058303 | 1 | PTO HALF SAFETY SHIELD INNER |
| 28058403 | 1 | PTO BALL LOCK.KIT F.1-3/4 YOKE |
| 28058503 | 1 | PTO TUBE YOKE #1-G1 INNER |



| PTO # | 829482 | 829483 | 829484 | 829487 |
|-----------|-----------------|-----------------|-----------------|-----------------|
| TRACTOR | 1-3/8" 6 SPLINE | 1-3/8" 6 SPLINE | 1-3/8" 6 SPLINE | 1-3/8" 6 SPLINE |
| IMPLEMENT | 25 mm | 30 mm | 1-3/8" 6 SPLINE | 1-3/8" 6 SPLINE |
| LENGTH | 610/800 | 610/800 | 610/800 | 860/1050 |
| A | 28062103 | 28062103 | 28062103 | 28062103 |
| B | 28062303 | 28063003 | 28062103 | 28062103 |
| C | 28062703 | 28062703 | 28062703 | 28063403 |
| D | 28062803 | 28063103 | 28063203 | 28063503 |
| E | 28062903 | 28062903 | 28062903 | 28063303 |

Note: For "Bondioli" PTO's (previous supplier) - see page A0510.

COMPLETE ASSEMBLIES
WHOLEGOOD ITEMS

A0580



PTO SHAFTS - AMA DIAPHRAGM
A0580-HIN, 01:01:16

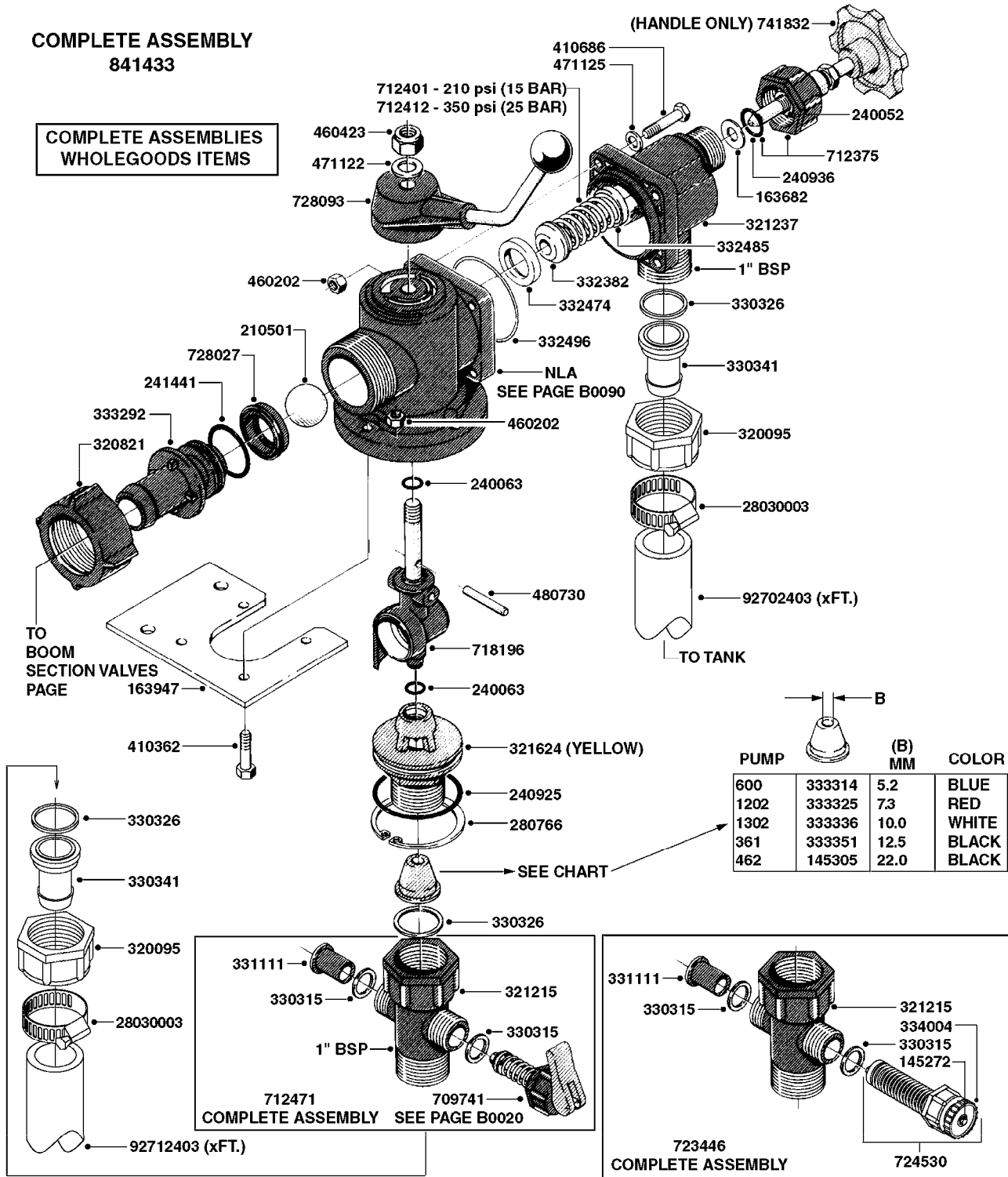
Page 1
Date 04.11.2017 13:04

| parts-n° | order qty | description |
|----------|-----------|-------------------------------|
| 829482 | 1 | PTO 1-3/8/6X25MM X 600MM 1202 |
| 829483 | 1 | PTO 1-3/8/6X30MM x 610MM 1302 |
| 829484 | 1 | PTO 1-3/8/6X1-3/8/6X575MM 361 |
| 829487 | 1 | PTO 1-3/8/6X1-3/8/6X870MM 361 |
| 28062103 | 1 | PTO YOKE 1-3/8X6 AMA |
| 28062203 | 1 | UNIV.JOINT CAT.1 AMA |
| 28062303 | 1 | PTO YOKE D25 AMA |
| 28062403 | 1 | DECAL - DANGER ROTATING SHAFT |
| 28062503 | 1 | DECAL - DANGER MISSING GUARD |
| 28062603 | 1 | SAFETY CHAIN F.PTO AMA |
| 28062703 | 1 | PTO OUTER 1-3/8X6 (NO SHIELD) |
| 28062803 | 1 | PTO INNER D25 (NO SHIELD) |
| 28062903 | 1 | PTO SHIELD COMPLETE |
| 28063003 | 1 | PTO YOKE D30 AMA |
| 28063103 | 1 | PTO INNER D30 (NO SHIELD) |
| 28063203 | 1 | PTO INNER 1-3/8X6 (NO SHIELD) |
| 28063303 | 1 | PTO SHIELD COMPLETE |
| 28063403 | 1 | PTO OUTER 1-3/8X6 (NO SHIELD) |
| 28063503 | 1 | PTO INNER 1-3/8X6 (NO SHIELD) |
| 28093403 | 1 | PTO OUTER TUBE BEARING AMA |
| 28093503 | 1 | PTO INNER TUBE BEARING AMA |



**COMPLETE ASSEMBLY
841433**

**COMPLETE ASSEMBLIES
WHOLEGOODS ITEMS**



| PUMP | | (B) MM | COLOR |
|------|--------|-----------|-------|
| 600 | 333314 | 5.2 | BLUE |
| 1202 | 333325 | 7.3 | RED |
| 1302 | 333336 | 10.0 | WHITE |
| 361 | 333351 | 12.5 | BLACK |
| 462 | 145305 | 22.0 | BLACK |

B0080

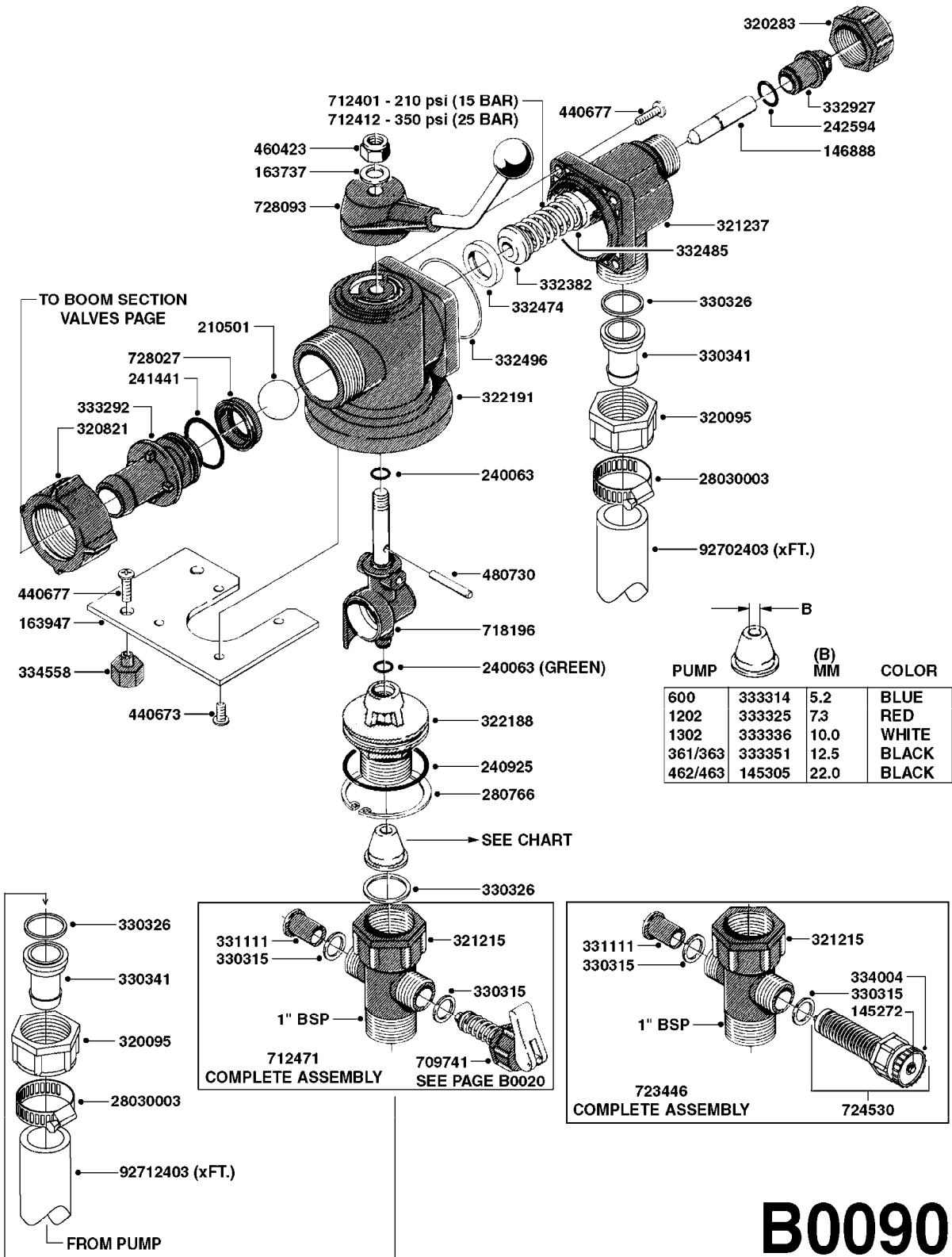


BK-180 MASTER VALVE - MANUAL
B0080-HIN, 30:08:16

Page 1

Date 04.11.2017 13:04

| parts-n° | order qty | description |
|----------|-----------|-----------------------------------|
| 145272 | 1 | INSERT F.AGIT.THUMBWHEEL BRASS |
| 145305 | 1 | NOZZLE F.OP.UNIT PUMP 462 |
| 163682 | 1 | WASHER D16X9,5 X 1 |
| 163947 | 1 | FITTING FOR BK 180 |
| 210501 | 1 | BALL PLASTIC D25 |
| 240052 | 1 | BUSHING/PKNG D11,2/8,4 X 6 |
| 240063 | 1 | O-RING D14.1/9.3 X 2.4 |
| 240925 | 1 | O-RING D49.5X3 NITRIL |
| 240936 | 1 | O-RING D13.3X2.4 NITRIL |
| 241441 | 1 | O-RING D29.3X3 |
| 280766 | 1 | SNAP-RING INNER 55X2 DIN 472 |
| 320095 | 1 | FITT.DK NUT 1" BSP |
| 320821 | 1 | FITT.DK NUT 1-1/2" BSP |
| 321215 | 1 | FITT.DK HOUSING F. AGITATION |
| 321237 | 1 | PRESSURE REGULATOR HOUSE BK180 |
| 321624 | 1 | BOTTOM PIECE F.BALL OPER.UNIT |
| 330315 | 1 | O-RING D18.4/D13X.6 |
| 330326 | 1 | O-RING D30/D24X2 F.1"NUT |
| 330341 | 1 | FITT.DK HB 1" F. 1" NUT |
| 331111 | 1 | VALVE SEAT FOR 1/2" DISTRIBUT. |
| 332382 | 1 | VALVE CONE D25,7 |
| 332474 | 1 | SEAT FOR OPERATING UNIT BALL |
| 332485 | 1 | SPRING GUIDE |
| 332496 | 1 | O-RING D58/54X2 |
| 333292 | 1 | FITT.DK HB 1"O'RING F.1-1/2" |
| 333314 | 1 | NOZZ.RESTRICTOR 600 BLUE |
| 333325 | 1 | NOZZ.RESTRICTOR 1202 RED |
| 333336 | 1 | NOZZ.RESTRICTOR 1302 WHITE |
| 333351 | 1 | NOZZ.RESTRICTOR 361 BLACK |
| 334004 | 1 | WHEEL F.AGITATION W/O INSERT |
| 410362 | 1 | BOLT HEX 8.8 SS M6X20 |
| 410686 | 1 | BOLT HEX 8.8 DEL M6X30 |
| 460202 | 1 | NUT HEX M6 |
| 460423 | 1 | NUT HEX M10X1.50 LOCK DIN985A2 SS |
| 471122 | 1 | WASHER, M10, Ø20/10.5X 2.0, SS |
| 471125 | 1 | WASHER M6U 6.4X14X1.2,A2 SS |
| 480730 | 1 | PIN ROLL 5X30 STAINLESS STEEL |
| 709741 | 1 | VALVE ASSY. 1/2" FLIP LEVER |
| 712375 | 1 | PRESSURE REGULATOR COMPL. |
| 712401 | 1 | RELIEF VALVE ASSY. 12BAR |
| 712412 | 1 | RELIEF VALVE ASSY. 25BAR |
| 712471 | 1 | AGITATION VALVE ASSY. ON/OFF |
| 718196 | 1 | BALL VALVE HOUSING ASSEMBLY |
| 723446 | 1 | AGITATION VALVE ASSY. ADJUST. |
| 724530 | 1 | THUMB WHEEL FOR AGITATION |
| 728027 | 1 | BUSHING WITH SEAT |
| 728093 | 1 | HANDLE WITH BALL |
| 741832 | 1 | HANDLE REPLACEMENT F/330632 |
| 841433 | 1 | BK 180 ARMATURE (1301) |
| 28030003 | 1 | CLAMP HOSE GEAR P1" 6716 |
| 92702403 | 1 | HOSE PVC SUCT GRAY 1" |
| 92712403 | 1 | HOSE R X1" X300PSI WP X0012" |



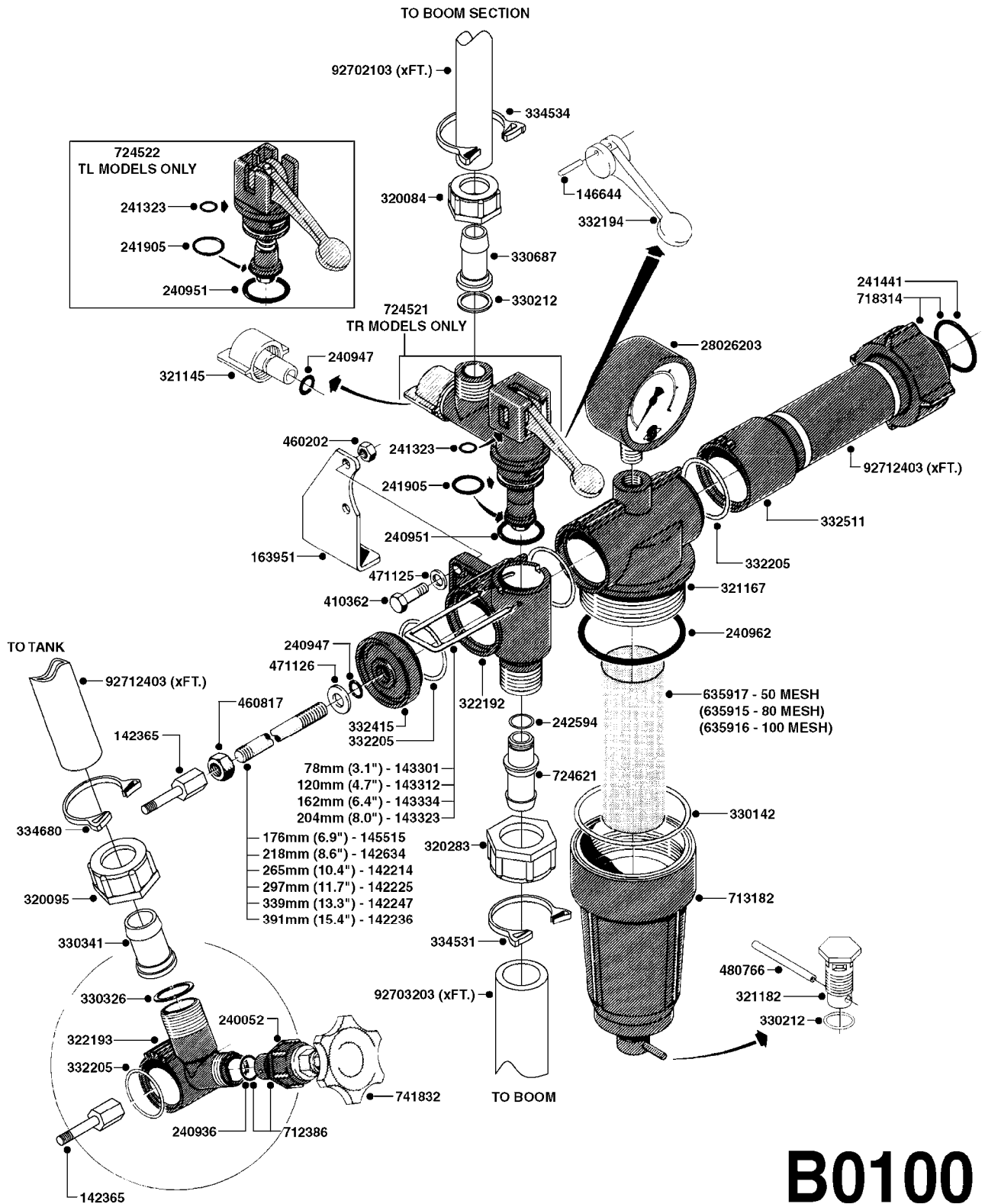
B0090



BK-180 MASTER VALVE-MAN.POST94
B0090-HIN, 30:08:16

Page 1
Date 04.11.2017 13:04

| parts-n° | order qty | description |
|----------|-----------|-----------------------------------|
| 145272 | 1 | INSERT F.AGIT.THUMBWHEEL BRASS |
| 145305 | 1 | NOZZLE F.OP.UNIT PUMP 462 |
| 146888 | 1 | PIN 10 X 57MM STAINLESS |
| 163737 | 1 | WASHER D15.5/D10.5X1 |
| 163947 | 1 | FITTING FOR BK 180 |
| 210501 | 1 | BALL PLASTIC D25 |
| 240063 | 1 | O-RING D14.1/9.3 X 2.4 |
| 240925 | 1 | O-RING D49.5X3 NITRIL |
| 241441 | 1 | O-RING D29.3X3 |
| 242594 | 1 | O-RING D14 X 1.78 SCH.70-EPDM |
| 280766 | 1 | SNAP-RING INNER 55X2 DIN 472 |
| 320095 | 1 | FITT.DK NUT 1" BSP |
| 320283 | 1 | FITT.DK NUT 3/4"BSP |
| 320821 | 1 | FITT.DK NUT 1-1/2" BSP |
| 321215 | 1 | FITT.DK HOUSING F. AGITATION |
| 321237 | 1 | PRESSURE REGULATOR HOUSE BK180 |
| 322188 | 1 | BOTTOM PIECE F.BALL EC |
| 322191 | 1 | HOUSING F.BALL (OPERATING UNIT) |
| 330315 | 1 | O-RING D18.4/D13X.6 |
| 330326 | 1 | O-RING D30/D24X2 F.1"NUT |
| 330341 | 1 | FITT.DK HB 1" F. 1" NUT |
| 331111 | 1 | VALVE SEAT FOR 1/2" DISTRIBUT. |
| 332382 | 1 | VALVE CONE D25,7 |
| 332474 | 1 | SEAT FOR OPERATING UNIT BALL |
| 332485 | 1 | SPRING GUIDE |
| 332496 | 1 | O-RING D58/54X2 |
| 332927 | 1 | PLUG F. NOZZLE TUBE 3/4' |
| 333292 | 1 | FITT.DK HB 1"O'RING F.1-1/2" |
| 333314 | 1 | NOZZ.RESTRICTOR 600 BLUE |
| 333325 | 1 | NOZZ.RESTRICTOR 1202 RED |
| 333336 | 1 | NOZZ.RESTRICTOR 1302 WHITE |
| 333351 | 1 | NOZZ.RESTRICTOR 361 BLACK |
| 334004 | 1 | WHEEL F.AGITATION W/O INSERT |
| 334558 | 1 | NUT HEX PLASTIC INSERT |
| 440673 | 1 | SCREW F.PLASTIC 5X12 SS |
| 440677 | 1 | SCREW F. PLASTIC 5X20 SS |
| 460423 | 1 | NUT HEX M10X1.50 LOCK DIN985A2 SS |
| 480730 | 1 | PIN ROLL 5X30 STAINLESS STEEL |
| 709741 | 1 | VALVE ASSY. 1/2" FLIP LEVER |
| 712401 | 1 | RELIEF VALVE ASSY. 12BAR |
| 712412 | 1 | RELIEF VALVE ASSY. 25BAR |
| 712471 | 1 | AGITATION VALVE ASSY. ON/OFF |
| 718196 | 1 | BALL VALVE HOUSING ASSEMBLY |
| 723446 | 1 | AGITATION VALVE ASSY. ADJUST. |
| 724530 | 1 | THUMB WHEEL FOR AGITATION |
| 728027 | 1 | BUSHING WITH SEAT |
| 728093 | 1 | HANDLE WITH BALL |
| 28030003 | 1 | CLAMP HOSE GEAR P1" 6716 |
| 92702403 | 1 | HOSE PVC SUCT GRAY 1" |
| 92712403 | 1 | HOSE R X1" X300PSI WP X0012" |



B0100



BK-180 BOOM VALVES-MAN.PRE 00
B0100-HIN, 01:01:16

Page 1
Date 04.11.2017 13:04

| parts-n° | order qty | description |
|----------|-----------|--------------------------------|
| 142214 | 1 | STUD BOLT - M8X265, 3 SECTION |
| 142225 | 1 | STUD BOLT 8 X 299 - 6 MODULS |
| 142236 | 1 | STUD BOLT 8 X 381 - 8 MODULS |
| 142247 | 1 | STUD BOLT 8 X 341 - 7 MODULS |
| 142365 | 1 | EXTENSION BOLT F/HARDI MATIC |
| 142634 | 1 | STUD BOLT M8 X 213 - 4 MODULS |
| 143301 | 1 | LOCK CLAMP 78 MM |
| 143312 | 1 | LOCK CLAMP 120 MM |
| 143323 | 1 | LOCK CLAMP 204 MM |
| 143334 | 1 | LOCK CLAMP 162 MM |
| 145515 | 1 | STUD BOLT M8 X 176MM |
| 146644 | 1 | PIN D3X19 STAINLESS |
| 163951 | 1 | MOUNT BRACKET FOR BK180 SECTIO |
| 240052 | 1 | BUSHING/PKNG D11,2/8,4 X 6 |
| 240936 | 1 | O-RING D13.3X2.4 NITRIL |
| 240947 | 1 | O-RING D7.3X2.4 NITRIL |
| 240951 | 1 | O-RING D21.2X3 NITRIL |
| 240962 | 1 | O-RING D57,2X3 NITRIL |
| 241323 | 1 | O-RING D5.3X2.4 NITRIL |
| 241441 | 1 | O-RING D29.3X3 |
| 241905 | 1 | O-RING 12,3X2,4 VITON DKR.1,05 |
| 242594 | 1 | O-RING D14 X 1.78 SCH.70-EPDM |
| 320084 | 1 | FITT.DK NUT 1/2" BSP |
| 320095 | 1 | FITT.DK NUT 1" BSP |
| 320283 | 1 | FITT.DK NUT 3/4"BSP |
| 321145 | 1 | CAP 1/2" RG FOR CONST.PRESSURE |
| 321167 | 1 | FILTER HOUSE S 63 X 4 |
| 321182 | 1 | DRAIN PLUG F. FILTER 3/8 BSP |
| 322192 | 1 | HOUSING F.DISTRIBUTOR |
| 322193 | 1 | HOUSING F.HARDIMATIC BK93 |
| 330142 | 1 | O-RING D69X2 |
| 330212 | 1 | O-RING D19/D14X2.4 F.1/2"NUT |
| 330326 | 1 | O-RING D30/D24X2 F.1"NUT |
| 330341 | 1 | FITT.DK HB 1" F. 1" NUT |
| 330687 | 1 | FITT.DK HB 1/2" F. 1/2" NUT |
| 332194 | 1 | DISTRIBUTION HANDLE |
| 332205 | 1 | O-RING D43/39XD2 |
| 332415 | 1 | COVER |
| 332511 | 1 | FITT.DK END CAP 1"HB F.BK180 |
| 334531 | 1 | CLAMP HOSE PLASTIC 3/4" |
| 334534 | 1 | CLAMP HOSE PLASTIC 1/2" |
| 334680 | 1 | CLAMP HOSE PLASTIC 1" |
| 410362 | 1 | BOLT HEX 8.8 SS M6X20 |
| 460202 | 1 | NUT HEX M6 |
| 460817 | 1 | NUT HEX M8 STAINLESS DIN 934 |
| 471125 | 1 | WASHER M6U 6.4X14X1.2,A2 SS |
| 471126 | 1 | WASHER, M8, Ø16/ 8.4X 1.6, SS |
| 480766 | 1 | ROLL PIN D4 X 50 STAINLESS |
| 635915 | 1 | SCREEN BK180, 80 MESH |
| 635916 | 1 | SCREEN BK180, 100 MESH |
| 635917 | 1 | SCREEN BK180, 50 MESH |
| 712386 | 1 | PRESSURE REGULATOR COMPL. H-M |
| 713182 | 1 | FILTER CAP WITH DRAIN SCREW |
| 718314 | 1 | CONN. DISTRIB.AND OP.UNIT |
| 724521 | 1 | DISTR.UPPER PART W.EQ.PRESSURE |
| 724522 | 1 | DISTR.OVER PART W.OUV PR 83 BK |
| 724621 | 1 | FITT.DK HB 3/4"ASSY F.3/4" NUT |
| 741832 | 1 | HANDLE REPLACEMENT F/330632 |
| 28026203 | 1 | GAUGE 200PSI/BR,2.5"1/4BSP-BTM |
| 92702103 | 1 | HOSE R X1/2" X300PSI WP X0012" |
| 92703203 | 1 | HOSE R X3/4" X300PSI WP X0012" |

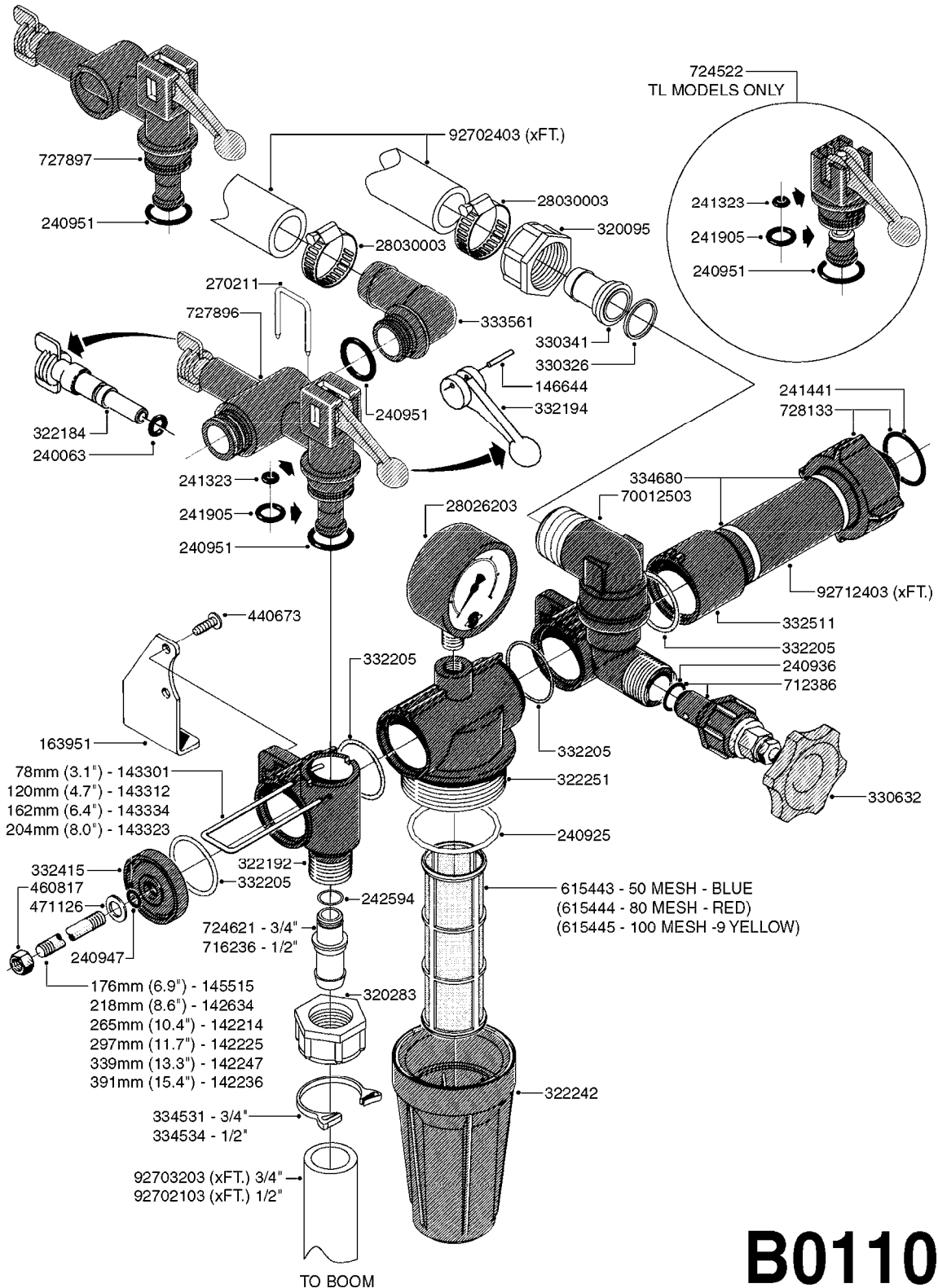


BK-180 BOOM VALVES-MAN.PRE 00
B0100-HIN, 01:01:16

Page 2

Date 04.11.2017 13:04

| parts-n° | order qty | description |
|----------|-----------|------------------------------|
| 92712403 | 1 | HOSE R X1" X300PSI WP X0012" |



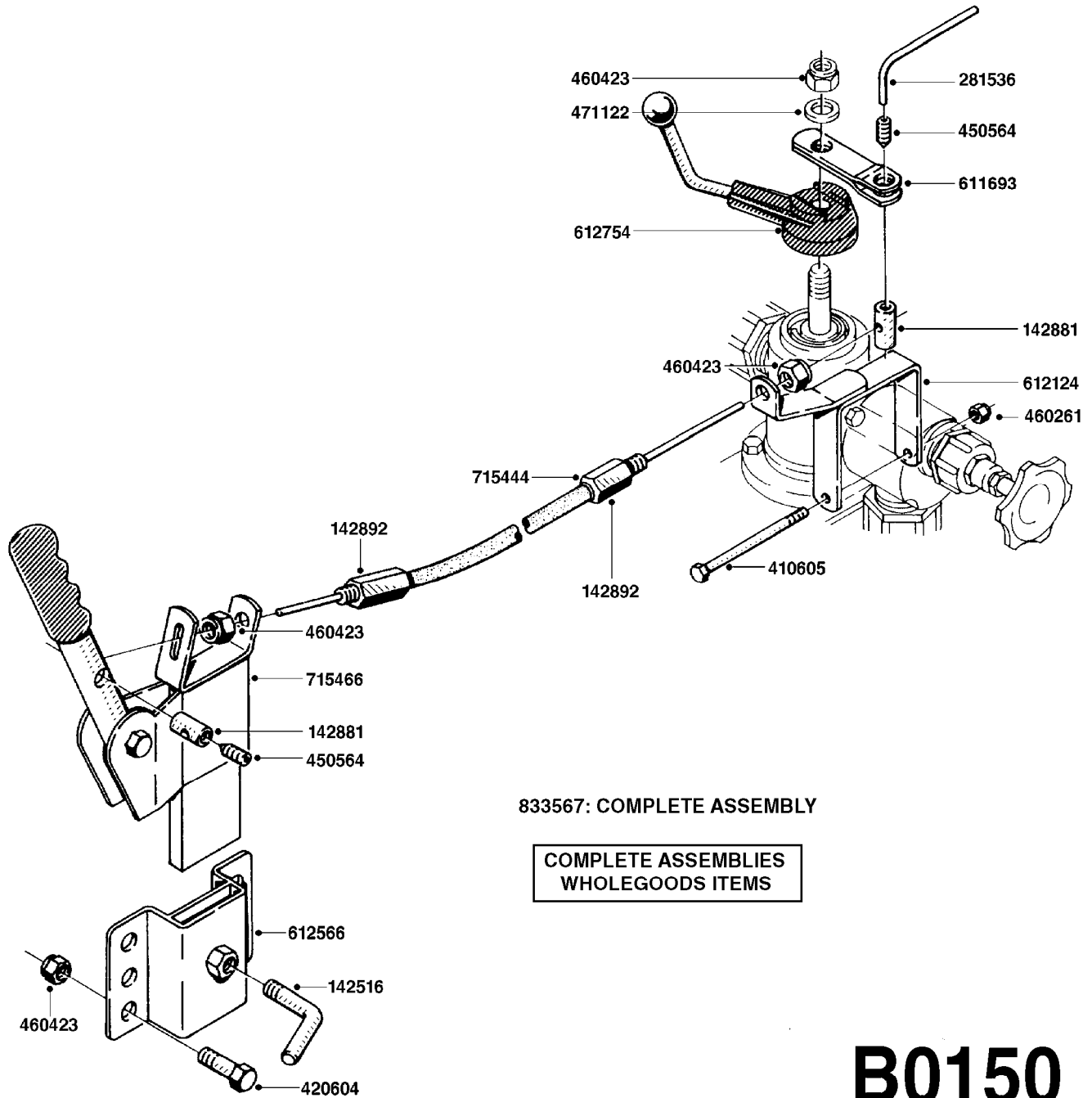
B0110



BK-180 BOOM VALVES-MAN.POST 00
B0110-HIN, 01:01:16

Page 1
Date 04.11.2017 13:04

| parts-n° | order qty | description |
|----------|-----------|--------------------------------|
| 142214 | 1 | STUD BOLT - M8X265, 3 SECTION |
| 142225 | 1 | STUD BOLT 8 X 299 - 6 MODULS |
| 142236 | 1 | STUD BOLT 8 X 381 - 8 MODULS |
| 142247 | 1 | STUD BOLT 8 X 341 - 7 MODULS |
| 142634 | 1 | STUD BOLT M8 X 213 - 4 MODULS |
| 143301 | 1 | LOCK CLAMP 78 MM |
| 143312 | 1 | LOCK CLAMP 120 MM |
| 143323 | 1 | LOCK CLAMP 204 MM |
| 143334 | 1 | LOCK CLAMP 162 MM |
| 145515 | 1 | STUD BOLT M8 X 176MM |
| 146644 | 1 | PIN D3X19 STAINLESS |
| 163951 | 1 | MOUNT BRACKET FOR BK180 SECTIO |
| 240063 | 1 | O-RING D14.1/9.3 X 2.4 |
| 240925 | 1 | O-RING D49.5X3 NITRIL |
| 240936 | 1 | O-RING D13.3X2.4 NITRIL |
| 240947 | 1 | O-RING D7.3X2.4 NITRIL |
| 240951 | 1 | O-RING D21.2X3 NITRIL |
| 241323 | 1 | O-RING D5.3X2.4 NITRIL |
| 241441 | 1 | O-RING D29.3X3 |
| 241905 | 1 | O-RING 12,3X2,4 VITON DKR.1,05 |
| 242594 | 1 | O-RING D14 X 1.78 SCH.70-EPDM |
| 270211 | 1 | FITT.DK S25 FORK L=37.5 |
| 320095 | 1 | FITT.DK NUT 1" BSP |
| 320283 | 1 | FITT.DK NUT 3/4"BSP |
| 322184 | 1 | SCREW F.ADJUSTING CONST.PRESS. |
| 322192 | 1 | HOUSING F.DISTRIBUTOR |
| 322242 | 1 | FILTER BOWL / IN-LINE |
| 322251 | 1 | HOUSING F.FILTER MOUNT BK/EC |
| 330326 | 1 | O-RING D30/D24X2 F.1"NUT |
| 330341 | 1 | FITT.DK HB 1" F. 1" NUT |
| 330632 | 1 | REGULATING HANDLE |
| 332194 | 1 | DISTRIBUTION HANDLE |
| 332205 | 1 | O-RING D43/39XD2 |
| 332415 | 1 | COVER |
| 332511 | 1 | FITT.DK END CAP 1"HB F.BK180 |
| 333561 | 1 | FITT.DK ELB.1" EC RETURN |
| 334531 | 1 | CLAMP HOSE PLASTIC 3/4" |
| 334534 | 1 | CLAMP HOSE PLASTIC 1/2" |
| 334680 | 1 | CLAMP HOSE PLASTIC 1" |
| 440673 | 1 | SCREW F.PLASTIC 5X12 SS |
| 460817 | 1 | NUT HEX M8 STAINLESS DIN 934 |
| 471126 | 1 | WASHER, M8, Ø16/ 8.4X 1.6, SS |
| 615443 | 1 | FILTER ELEM.50 MESH BLUE |
| 615444 | 1 | FILTER ELEM.80 MESH RED |
| 615445 | 1 | FILTER ELEM.100 MESH YELLOW |
| 712386 | 1 | PRESSURE REGULATOR COMPL. H-M |
| 716236 | 1 | FITT.DK HB 1/2" ASSY. F. 3/4" |
| 724522 | 1 | DISTR.OVER PART W.OUV PR 83 BK |
| 724621 | 1 | FITT.DK HB 3/4"ASSY F.3/4" NUT |
| 727896 | 1 | HOUSING UPPER F.CONST.PRESS. |
| 727897 | 1 | HOUSING UPPER PART END PC.BK92 |
| 728133 | 1 | CONNECTING PART F.BK OPR.UNIT |
| 28026203 | 1 | GAUGE 200PSI/BR,2.5"1/4BSP-BTM |
| 28030003 | 1 | CLAMP HOSE GEAR P1" 6716 |
| 70012503 | 1 | HOUSING FOR HARDI-MATIC VALVE |
| 92702103 | 1 | HOSE R X1/2" X300PSI WP X0012" |
| 92702403 | 1 | HOSE PVC SUCT GRAY 1" |
| 92703203 | 1 | HOSE R X3/4" X300PSI WP X0012" |
| 92712403 | 1 | HOSE R X1" X300PSI WP X0012" |



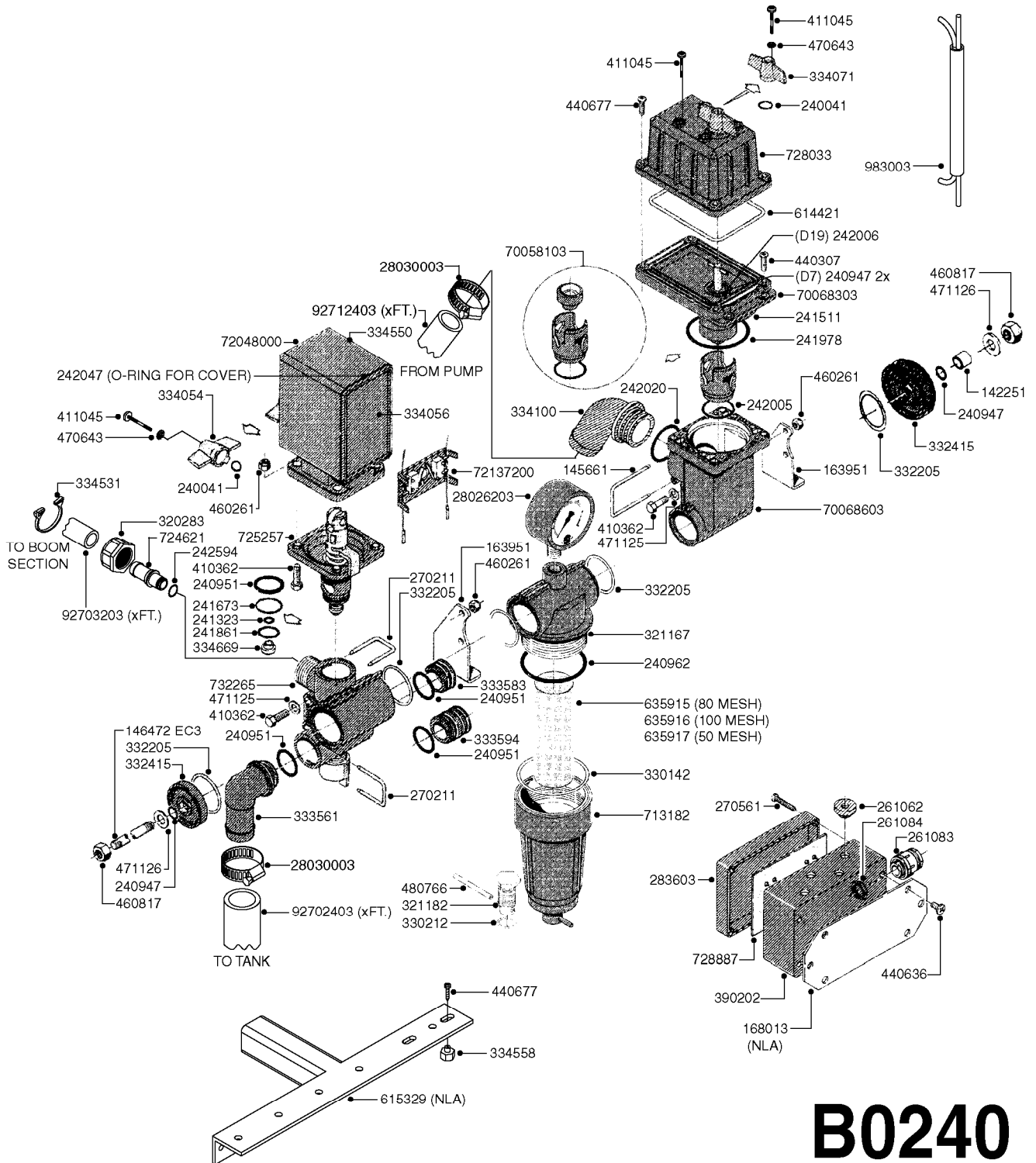


BK-180 REMOTE CONTROL CABLE
B0150-HIN, 01:01:16

Page 1

Date 04.11.2017 13:04

| parts-n° | order qty | description |
|----------|-----------|-----------------------------------|
| 142516 | 1 | SCREW SET M10 BENT F. LOCKING |
| 142881 | 1 | WIRE HOLDER FOR REMOTE CONTROL |
| 142892 | 1 | END NIPPLE F.REMOTE CABLE |
| 281536 | 1 | ALLEN WRENCH 3MM |
| 410605 | 1 | BOLT HEX 8.8 DEL M6X80 |
| 420604 | 1 | BOLT HEX 8.8 DEL M10X25 FT DIN933 |
| 450564 | 1 | SCREW M6X12 ALLEN |
| 460261 | 1 | NUT HEX M6X1.00 LOCK DIN985 A2 SS |
| 460423 | 1 | NUT HEX M10X1.50 LOCK DIN985A2 SS |
| 471122 | 1 | WASHER, M10, Ø20/10.5X 2.0, SS |
| 611693 | 1 | ARM FOR REMOTE CONTROL BK180 |
| 612124 | 1 | BRACKET FOR OP.UNIT F REM.CTR |
| 612566 | 1 | MOUNT BRACKET F.FAN CABLE ASSY |
| 612754 | 1 | HANDLE FOR REMOTE CONTROL |
| 715444 | 1 | REMOTE CONTROL CABLE COMPLETE |
| 715466 | 1 | MOUNTING PLATE |
| 833567 | 1 | REMOTE CONTROL ON/OFF BK 180 |



B0240



| parts-n° | order qty | description |
|----------|-----------|-----------------------------------|
| 142251 | 1 | BUSHING FOR LID |
| 145661 | 1 | FITT.DK S-61 FORK |
| 146472 | 1 | STUD BOLT M8X420 |
| 163951 | 1 | MOUNT BRACKET FOR BK180 SECTIO |
| 168013 | 1 | MOUNT BRKT F.CONNECT BOX-NLA |
| 240041 | 1 | O-RING D15,1/10,3 X 2,4 |
| 240947 | 1 | O-RING D7.3X2.4 NITRIL |
| 240951 | 1 | O-RING D21.2X3 NITRIL |
| 240962 | 1 | O-RING D57,2X3 NITRIL |
| 241323 | 1 | O-RING D5.3X2.4 NITRIL |
| 241511 | 1 | O-RING D18X2 |
| 241673 | 1 | O-RING D22.1X1.6 |
| 241861 | 1 | O-RING D15.3X2.4 VITON |
| 241978 | 1 | O-RING 64.5X3.0 |
| 242005 | 1 | O-RING D32.1X1.6 NITRIL |
| 242006 | 1 | O-RING D22/D19 X 1.5 |
| 242020 | 1 | O-RING 39.2 X 3 VITON |
| 242047 | 1 | O-RING 89.5 X 3.0 VITON |
| 242594 | 1 | O-RING D14 X 1.78 SCH.70-EPDM |
| 261062 | 1 | GROMMET |
| 261083 | 1 | GROMMET (PLASTIC)F.ELEC.CABLE |
| 261084 | 1 | NUT F.261083 GROMMET |
| 270211 | 1 | FITT.DK S25 FORK L=37.5 |
| 270561 | 1 | SCREW W/SPRING ASSY. (QTY 1) |
| 283603 | 1 | LID F. SQ.BOX 120X80X15 MM |
| 320283 | 1 | FITT.DK NUT 3/4"BSP |
| 321167 | 1 | FILTER HOUSE S 63 X 4 |
| 321182 | 1 | DRAIN PLUG F. FILTER 3/8 BSP |
| 330142 | 1 | O-RING D69X2 |
| 330212 | 1 | O-RING D19/D14X2.4 F.1/2"NUT |
| 332205 | 1 | O-RING D43/39XD2 |
| 332415 | 1 | COVER |
| 333561 | 1 | FITT.DK ELB.1" EC RETURN |
| 333583 | 1 | END PIECE FOR BYPASS |
| 333594 | 1 | CONNECTING PIECE F. BYPASS |
| 334054 | 1 | GRIP F.MAN.OP.EC ON/OFF RED |
| 334056 | 1 | COVER F/MOTOR HOUSE EC DIST. |
| 334071 | 1 | GRIP F.MAN.OP.EC PRESS.REG.RED |
| 334100 | 1 | FITT.DK S-61 ELB.1" 110 DEG. |
| 334531 | 1 | CLAMP HOSE PLASTIC 3/4" |
| 334550 | 1 | MOTOR HOUSE SECT VALVE |
| 334558 | 1 | NUT HEX PLASTIC INSERT |
| 334669 | 1 | VALVE CONE D14/D7-SH 63 WHITE |
| 390202 | 1 | CONN.BOX EC OPER.UNIT |
| 410362 | 1 | BOLT HEX 8.8 SS M6X20 |
| 411045 | 1 | SCREW M4 X 16MM STAINLESS |
| 440307 | 1 | SCREW SHEET-METAL 3/4" NO. 10 |
| 440636 | 1 | SCREW SHEET-METAL 1/2" NO 12 |
| 440677 | 1 | SCREW F. PLASTIC 5X20 SS |
| 460261 | 1 | NUT HEX M6X1.00 LOCK DIN985 A2 SS |
| 460817 | 1 | NUT HEX M8 STAINLESS DIN 934 |
| 470643 | 1 | WASHER LOCK |
| 471125 | 1 | WASHER M6U 6.4X14X1.2,A2 SS |
| 471126 | 1 | WASHER, M8, Ø16/ 8.4X 1.6, SS |
| 480766 | 1 | ROLL PIN D4 X 50 STAINLESS |
| 614421 | 1 | GASKET F/MOTOR HOUSE-ON/OFF TR |
| 615329 | 1 | BRACKET F.ESC CONTROL VALVES |
| 635915 | 1 | SCREEN BK180, 80 MESH |
| 635916 | 1 | SCREEN BK180, 100 MESH |
| 635917 | 1 | SCREEN BK180, 50 MESH |
| 713182 | 1 | FILTER CAP WITH DRAIN SCREW |



EC-SC F.ESC+TMS-ELEC.RED GRIPS
B0240-HIN, 01:01:16

Page 2
Date 04.11.2017 13:04

| parts-n° | order qty | description |
|----------|-----------|--------------------------------|
| 724621 | 1 | FITT.DK HB 3/4"ASSY F.3/4" NUT |
| 725257 | 1 | SPINDLE SECT. F/EC DISTRIBUTOR |
| 728033 | 1 | MOTOR UNIT F.PRES.REG.EC GREEN |
| 728887 | 1 | CIRCUIT BOARD EC CONTROL |
| 732265 | 1 | DISTRIB HOUSING W/CONST PR RED |
| 983003 | 1 | CABLE ELEC.2X1MM WIRE BLACK EC |
| 28026203 | 1 | GAUGE 200PSI/BR,2.5"1/4BSP-BTM |
| 28030003 | 1 | CLAMP HOSE GEAR P1" 6716 |
| 70058103 | 1 | REG. REPAIR KIT UNIVERSAL |
| 70068303 | 1 | BRKT. PLATE F/PRES. CONT.2XNUT |
| 70068603 | 1 | REGULATOR HOUSING UPDATE PRE92 |
| 72048000 | 1 | MOTOR, DISTRIBUTION 1:300 |
| 72137200 | 1 | MCROSWCH ASSY F.BOOM VLV 300:1 |
| 92702403 | 1 | HOSE PVC SUCT GRAY 1" |
| 92703203 | 1 | HOSE R X3/4" X300PSI WP X0012" |
| 92712403 | 1 | HOSE R X1" X300PSI WP X0012" |



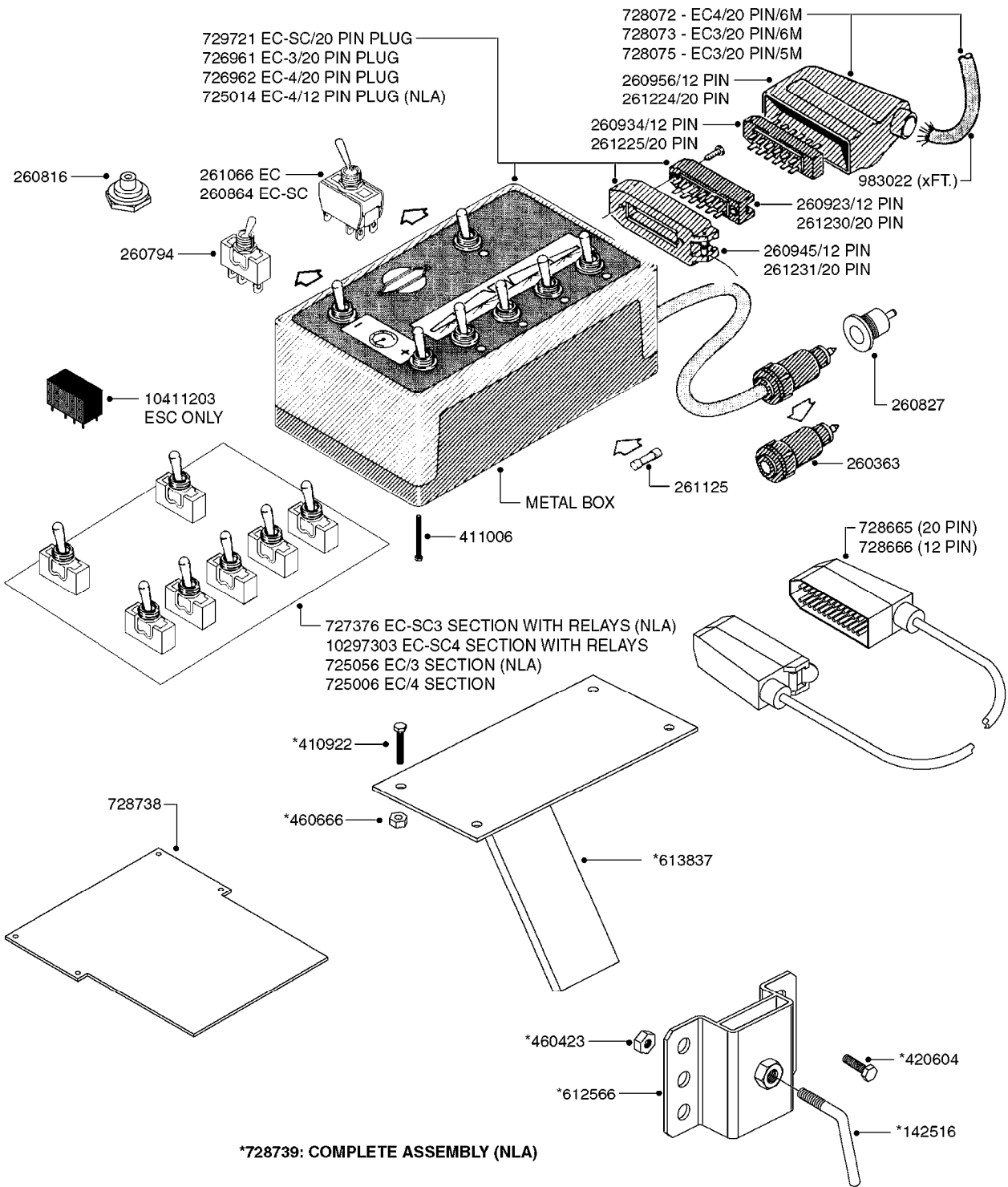
| parts-n° | order qty | description |
|----------|-----------|-----------------------------------|
| 142251 | 1 | BUSHING FOR LID |
| 145661 | 1 | FITT.DK S-61 FORK |
| 146472 | 1 | STUD BOLT M8X420 |
| 163951 | 1 | MOUNT BRACKET FOR BK180 SECTIO |
| 240041 | 1 | O-RING D15,1/10,3 X 2,4 |
| 240925 | 1 | O-RING D49.5X3 NITRIL |
| 240947 | 1 | O-RING D7.3X2.4 NITRIL |
| 240951 | 1 | O-RING D21.2X3 NITRIL |
| 241323 | 1 | O-RING D5.3X2.4 NITRIL |
| 241511 | 1 | O-RING D18X2 |
| 241673 | 1 | O-RING D22.1X1.6 |
| 241861 | 1 | O-RING D15.3X2.4 VITON |
| 241978 | 1 | O-RING 64.5X3.0 |
| 242005 | 1 | O-RING D32.1X1.6 NITRIL |
| 242020 | 1 | O-RING 39.2 X 3 VITON |
| 242594 | 1 | O-RING D14 X 1.78 SCH.70-EPDM |
| 262106 | 1 | BULKHEAD F. CABLE 6.5-14 BLACK |
| 262107 | 1 | NUT F. BULKHEAD CABLE BLACK |
| 270211 | 1 | FITT.DK S25 FORK L=37.5 |
| 320283 | 1 | FITT.DK NUT 3/4"BSP |
| 321167 | 1 | FILTER HOUSE S 63 X 4 |
| 322242 | 1 | FILTER BOWL / IN-LINE |
| 332205 | 1 | O-RING D43/39XD2 |
| 332415 | 1 | COVER |
| 333561 | 1 | FITT.DK ELB.1" EC RETURN |
| 333583 | 1 | END PIECE FOR BYPASS |
| 333594 | 1 | CONNECTING PIECE F. BYPASS |
| 334056 | 1 | COVER F/MOTOR HOUSE EC DIST. |
| 334068 | 1 | FITT.DK S-61 STR.1" |
| 334100 | 1 | FITT.DK S-61 ELB.1" 110 DEG. |
| 334531 | 1 | CLAMP HOSE PLASTIC 3/4" |
| 334550 | 1 | MOTOR HOUSE SECT VALVE |
| 334551 | 1 | GRIP F.MAN.OP.EC ON/OFF GREEN |
| 334552 | 1 | GRIP F.MAN.OP.EC PRES.REG.GREE |
| 334558 | 1 | NUT HEX PLASTIC INSERT |
| 334669 | 1 | VALVE CONE D14/D7-SH 63 WHITE |
| 334680 | 1 | CLAMP HOSE PLASTIC 1" |
| 410362 | 1 | BOLT HEX 8.8 SS M6X20 |
| 411045 | 1 | SCREW M4 X 16MM STAINLESS |
| 440307 | 1 | SCREW SHEET-METAL 3/4" NO. 10 |
| 440675 | 1 | SCREW F. PLASTIC 5X16 SS |
| 440677 | 1 | SCREW F. PLASTIC 5X20 SS |
| 460261 | 1 | NUT HEX M6X1.00 LOCK DIN985 A2 SS |
| 460817 | 1 | NUT HEX M8 STAINLESS DIN 934 |
| 470643 | 1 | WASHER LOCK |
| 471125 | 1 | WASHER M6U 6.4X14X1.2,A2 SS |
| 471126 | 1 | WASHER, M8, Ø16/ 8.4X 1.6, SS |
| 614421 | 1 | GASKET F/MOTOR HOUSE-ON/OFF TR |
| 615329 | 1 | BRACKET F.ESC CONTROL VALVES |
| 615443 | 1 | FILTER ELEM.50 MESH BLUE |
| 615444 | 1 | FILTER ELEM.80 MESH RED |
| 615445 | 1 | FILTER ELEM.100 MESH YELLOW |
| 724621 | 1 | FITT.DK HB 3/4"ASSY F.3/4" NUT |
| 725070 | 1 | BRKT.PLATE F/PRES. 70068303 |
| 725257 | 1 | SPINDLE SECT. F/EC DISTRIBUTOR |
| 725258 | 1 | REG. KIT OLD PRE 1992 |
| 725670 | 1 | CABLE 6000MM EC-3 |
| 728010 | 1 | DISTRIB HOUSING W/CONST PR GRN |
| 728033 | 1 | MOTOR UNIT F.PRES.REG.EC GREEN |
| 728887 | 1 | CIRCUIT BOARD EC CONTROL |
| 983003 | 1 | CABLE ELEC.2X1MM WIRE BLACK EC |



EC-SC F.ESC+TMS-ELEC.GRN GRIPS
B0250-HIN, 01:01:16

Page 2
Date 04.11.2017 13:04

| parts-n° | order qty | description |
|----------|-----------|-----------------------------------|
| 28026203 | 1 | GAUGE 200PSI/BR, 2.5"1/4BSP-BTM |
| 28030003 | 1 | CLAMP HOSE GEAR P1" 6716 |
| 28082100 | 1 | SCREW F. BOX LID 1/4" L=20 |
| 33508700 | 1 | BOX BOTTOM 160X80X40 BLACK 1-HOLE |
| 33508800 | 1 | LID 160X80X15 BLK W/SCREWS |
| 70068603 | 1 | REGULATOR HOUSING UPDATE PRE92 |
| 72048000 | 1 | MOTOR, DISTRIBUTION 1:300 |
| 72136500 | 1 | UNIV. CONNECTION BOX F. EC |
| 92702403 | 1 | HOSE PVC SUCT GRAY 1" |
| 92703203 | 1 | HOSE R X3/4" X300PSI WP X0012" |
| 92712403 | 1 | HOSE R X1" X300PSI WP X0012" |



*728739: COMPLETE ASSEMBLY (NLA)

COMPLETE ASSEMBLIES
WHOLEGOODS ITEMS

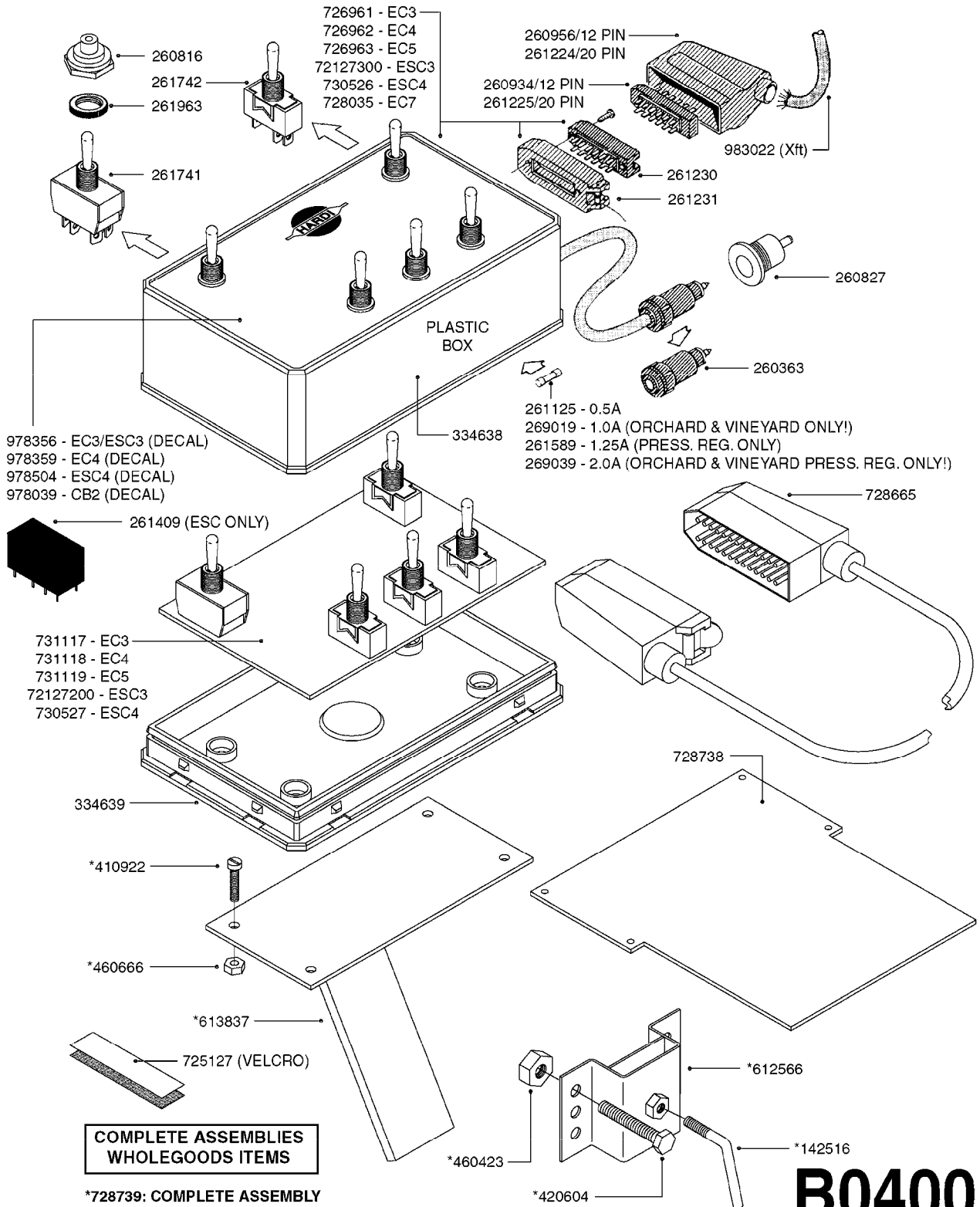
B0390



CONTROL BOX F/EC+EC-SC
B0390-HIN, 01:01:16

Page 1
Date 04.11.2017 13:04

| parts-n° | order qty | description |
|----------|-----------|-----------------------------------|
| 142516 | 1 | SCREW SET M10 BENT F. LOCKING |
| 260363 | 1 | PLUG 2 POLE 12V |
| 260794 | 1 | SWITCH F.PRESS ADJ.EC CONTROL |
| 260816 | 1 | CAP W/RUBBER BOOT F.EC SWITCH |
| 260827 | 1 | PLUG F.EC ATTACHMENTS |
| 260864 | 1 | SWITCH F.HY BOOM CONTROL BOX |
| 260923 | 1 | PLUG INSERT 12 POLE FEMALE |
| 260934 | 1 | PLUG INSERT 12 POLE MALE |
| 260945 | 1 | PLUG HOUSE 12 POLE FEMALE |
| 260956 | 1 | PLUG HOUSE 12 POL.MALE |
| 261066 | 1 | SWITCH 2 POLE |
| 261125 | 1 | FUSE 5 X 20 500mA |
| 261224 | 1 | PLUG HOUSING F/20 POLE MALE |
| 261225 | 1 | PLUG INSERT 20 POLE MALE |
| 261230 | 1 | PLUG INSERT 20 POLE FEMALE |
| 261231 | 1 | PLUG HOUSING 20 POLE FEMALE |
| 410922 | 1 | CYL.SKR 8.8 DEL M4X20 RST |
| 411006 | 1 | SCREW M4X40 SLOTTED |
| 420604 | 1 | BOLT HEX 8.8 DEL M10X25 FT DIN933 |
| 460423 | 1 | NUT HEX M10X1.50 LOCK DIN985A2 SS |
| 460666 | 1 | NUT HEX M4 |
| 612566 | 1 | MOUNT BRACKET F.FAN CABLE ASSY |
| 613837 | 1 | MOUNT PLATE FOR EC CONTROL BOX |
| 725006 | 1 | CIRCUIT BOARD 4 VALVE |
| 725014 | 1 | CONTROL BOX EC 4 SEC./12 PIN |
| 725056 | 1 | PRINTED CIRC.W SW 3WAY 726961 |
| 726961 | 1 | CONTROL BOX EC 3 SEC./20 PIN |
| 726962 | 1 | CONTROL BOX EC 4 SEC./20 PIN |
| 727376 | 1 | CIRCUIT BOARD F.ESC 3 BANK |
| 728072 | 1 | CABLE,20-PIN,6M EC/4 |
| 728073 | 1 | CABLE,20-PIN,6M, EC/3 |
| 728075 | 1 | CABLE F.CONTROL BOX 5M EC/3 |
| 728665 | 1 | CABLE EXT.-QUICK ATTACH 20 PIN |
| 728666 | 1 | CABLE-QUICK ATTACH 12 PIN |
| 728738 | 1 | DOUB.CONT.BOX & OR F/M PLATE |
| 728739 | 1 | IN CAB CONTROL MOUNT KIT |
| 729721 | 1 | CONTROL BOX ESC3 |
| 983022 | 1 | WIRE 12 x 0.5 x 2MM x 12" |
| 10297303 | 1 | CIRCUIT BOARD FOR T.M.S. |
| 10411203 | 1 | RELAY T-82 |



COMPLETE ASSEMBLIES
WHOLEGOODS ITEMS

*728739: COMPLETE ASSEMBLY

B0400



CONTROL BOX F/EC + ECSC POST96
B0400-HIN, 01:01:16

Page 1

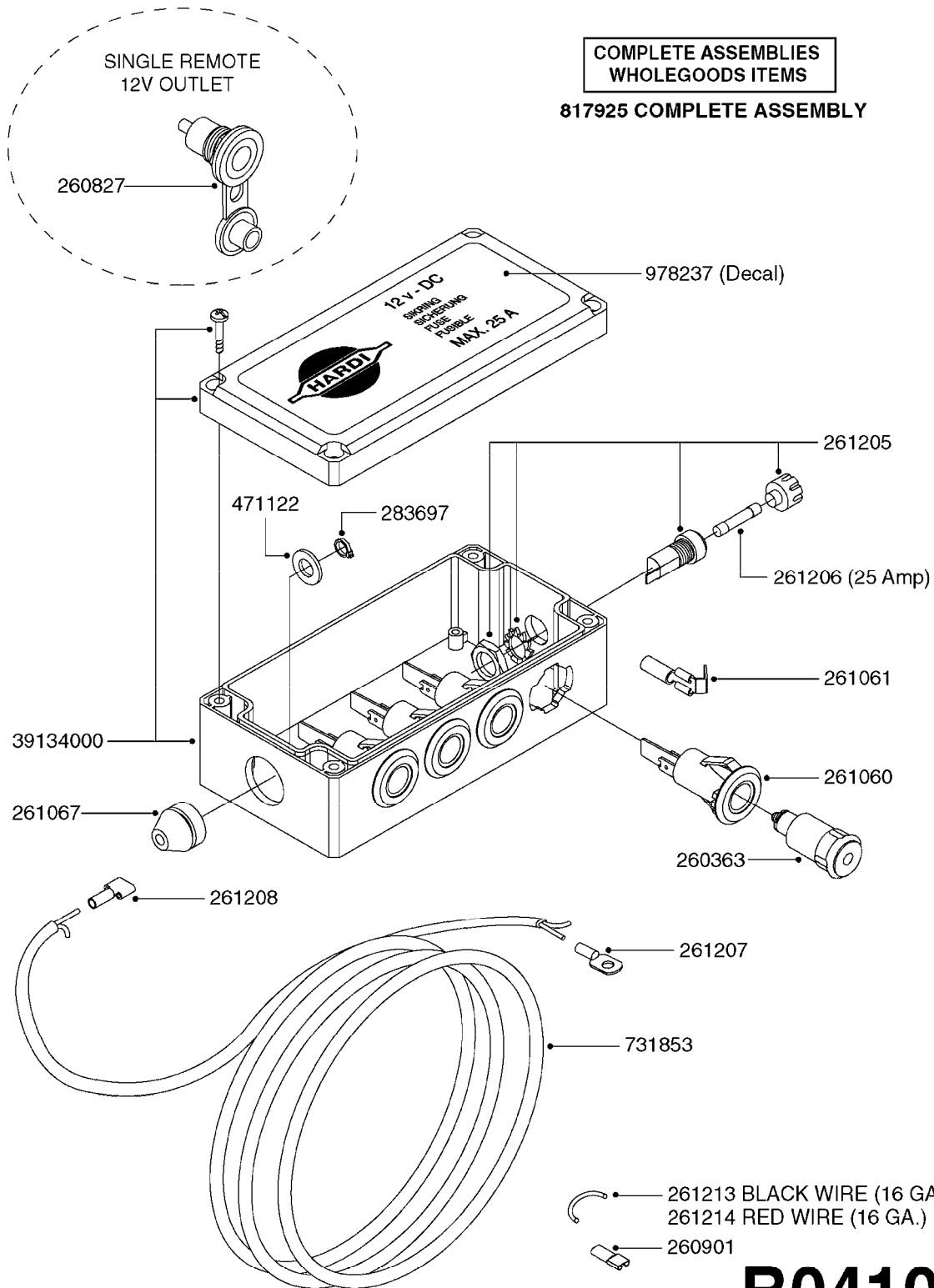
Date 04.11.2017 13:05

| parts-n° | order qty | description |
|----------|-----------|-----------------------------------|
| 142516 | 1 | SCREW SET M10 BENT F. LOCKING |
| 260363 | 1 | PLUG 2 POLE 12V |
| 260816 | 1 | CAP W/RUBBER BOOT F.EC SWITCH |
| 260827 | 1 | PLUG F.EC ATTACHMENTS |
| 260934 | 1 | PLUG INSERT 12 POLE MALE |
| 260956 | 1 | PLUG HOUSE 12 POL.MALE |
| 261125 | 1 | FUSE 5 X 20 500mA |
| 261224 | 1 | PLUG HOUSING F/20 POLE MALE |
| 261225 | 1 | PLUG INSERT 20 POLE MALE |
| 261230 | 1 | PLUG INSERT 20 POLE FEMALE |
| 261231 | 1 | PLUG HOUSING 20 POLE FEMALE |
| 261409 | 1 | RELAY 12V F. ESC CNTRL BOX '96 |
| 261589 | 1 | FUSE 5 X 20 1.25 AMP |
| 261741 | 1 | SWITCH 2 POLE 12V TOGGLE PRESS |
| 261742 | 1 | SWITCH 2 POLE 12V ON/OFF |
| 261963 | 1 | NUT F.EC SWITCH |
| 269019 | 1 | FUSE 5 X 20 1.0 AMP |
| 269039 | 1 | FUSE 5 X 20 2.0 AMP |
| 334638 | 1 | HOUSING F.EC PLASTIC BOX UPPER |
| 334639 | 1 | COVER F.EC PLASTIC BOX -LOWER |
| 410922 | 1 | CYL.SKR 8.8 DEL M4X20 RST |
| 420604 | 1 | BOLT HEX 8.8 DEL M10X25 FT DIN933 |
| 460423 | 1 | NUT HEX M10X1.50 LOCK DIN985A2 SS |
| 460666 | 1 | NUT HEX M4 |
| 612566 | 1 | MOUNT BRACKET F.FAN CABLE ASSY |
| 613837 | 1 | MOUNT PLATE FOR EC CONTROL BOX |
| 725127 | 1 | VELCRO KIT |
| 726961 | 1 | CONTROL BOX EC 3 SEC./20 PIN |
| 726962 | 1 | CONTROL BOX EC 4 SEC./20 PIN |
| 726963 | 1 | CONTROL BOX EC 5 SEC./20 PIN |
| 728035 | 1 | CONTROL BOX EC 7 SEC. |
| 728665 | 1 | CABLE EXT.-QUICK ATTACH 20 PIN |
| 728738 | 1 | DOUB.CONT.BOX & OR F/M PLATE |
| 728739 | 1 | IN CAB CONTROL MOUNT KIT |
| 730526 | 1 | CON BX 4SEC/20PIN alt72127400 |
| 730527 | 1 | CIRCUIT B.ESC4 PLAST.W/SWITCH |
| 731117 | 1 | CIRCUIT B.EC3 PLASTIC W/SWITCH |
| 731118 | 1 | CIRCUIT B.EC4 PLASTIC W/SWITCH |
| 731119 | 1 | CIRCUIT B.EC5 PLASTIC W/SWITCH |
| 978039 | 1 | DECAL CONTROL BOX CB4 MISTBLOW |
| 978356 | 1 | DECAL CONTRL BOX EVC/ESC3 ABS |
| 978359 | 1 | DECAL CONTROL BOX EC4 ABS |
| 978504 | 1 | DECAL CONTROL BOX ESC4 ABS |
| 983022 | 1 | WIRE 12 x 0.5 x 2MM x 12" |
| 72127200 | 1 | CIRCUIT B.ESC3 PLAST.W/SWITCH |
| 72127300 | 1 | CONTROL BOX ESC 3 SEC./20 PIN |



12 VOLT OUTLET BOX
B0410-HIN, 01:01:16

Page 0
Date 04.11.2017 13:05



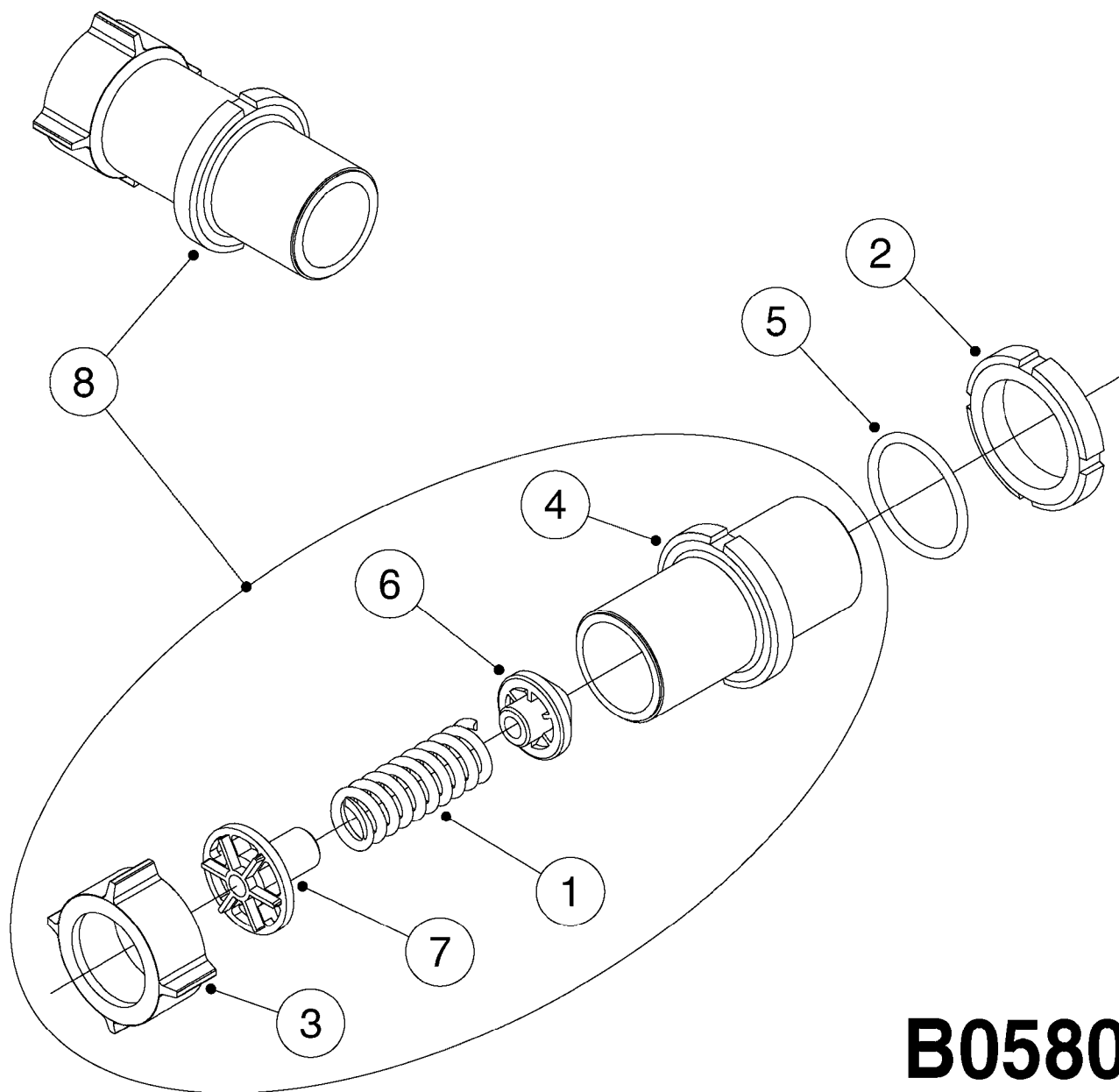
B0410



12 VOLT OUTLET BOX
B0410-HIN, 01:01:16

Page 1
Date 04.11.2017 13:05

| parts-n° | order qty | description |
|----------|-----------|--------------------------------|
| 260363 | 1 | PLUG 2 POLE 12V |
| 260827 | 1 | PLUG F.EC ATTACHMENTS |
| 260901 | 1 | SPADE F.ELEC CONN.1.5MM BLUE |
| 261060 | 1 | PLUG F.EC ATTACHMENTS |
| 261061 | 1 | SPADE F.ELEC.2 WAY CONNECTOR |
| 261067 | 1 | GROMMET 10-14 GREY |
| 261205 | 1 | FUSE HOLDER |
| 261206 | 1 | FUSE 25 A |
| 261207 | 1 | ELECTRIC CONNECTOR 4MM |
| 261208 | 1 | SPADE F.ELEC.CONNECTOR 4MM |
| 261213 | 1 | WIRE 6.4MM BLACK |
| 261214 | 1 | WIRE 6.4MM RED |
| 283697 | 1 | TIESTRAP 200MM |
| 471122 | 1 | WASHER, M10, Ø20/10.5X 2.0, SS |
| 731853 | 1 | CABLE 2X4MM L=138" |
| 817925 | 1 | OUTLET BOX 12 VOLT ELEC. |
| 978237 | 1 | DECAL OUTLET BOX |
| 39134000 | 1 | BOX, COMPLETE, 12V POWER BOX |



B0580

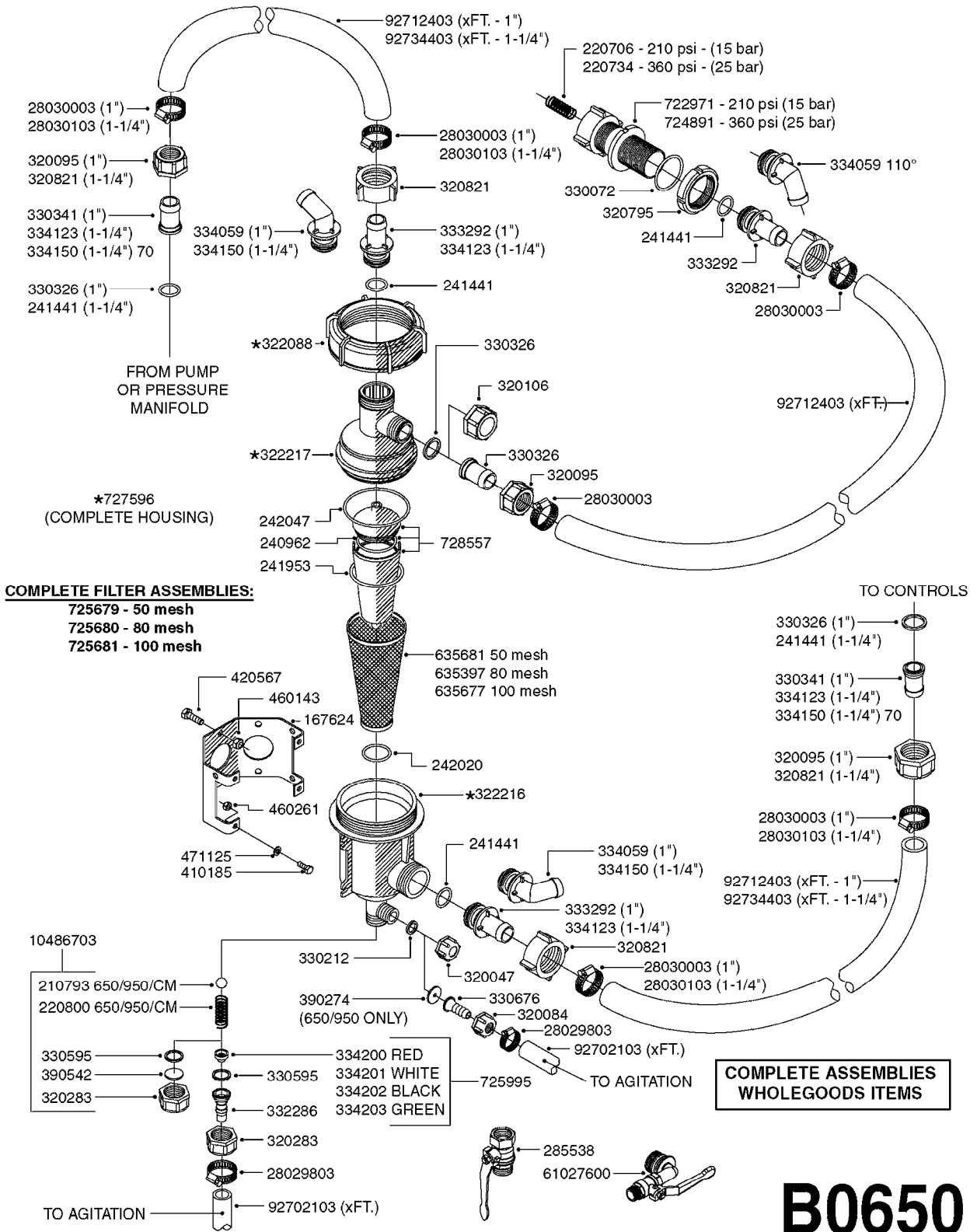


PRESSURE RELIEF VALVE
B0580-HIN, 01:01:16

Page 1

Date 04.11.2017 13:05

| Pos. | parts-n° | order qty | description |
|------|----------|-----------|---------------------------------|
| 1 | 220706 | 1 | SPRING SCF 12 BAR |
| 1 | 220734 | 1 | SPRING SCF 25 BAR |
| 2 | 320795 | 1 | FITT.DK NUT 1-1/2" BSP JAMB |
| 3 | 320821 | 1 | FITT.DK NUT 1-1/2" BSP |
| 4 | 321915 | 1 | HOUSING F. SAFETY VALVE |
| 5 | 330072 | 1 | O-RING D53.5/D45.5X4 |
| 6 | 333853 | 1 | CONE D35.4 |
| 7 | 333864 | 1 | GUIDE F. SAFETY VALVE SPRING |
| 8 | 722971 | 1 | SAFETY VALVE SCF 217PSI (15BAR) |
| 8 | 724891 | 1 | SAFETY VALVE SCF 25 BAR |



B0650



SELF CLEANING FILTER-SCREW TOP
B0650-HIN, 01:01:16

Page 1
Date 04.11.2017 13:05

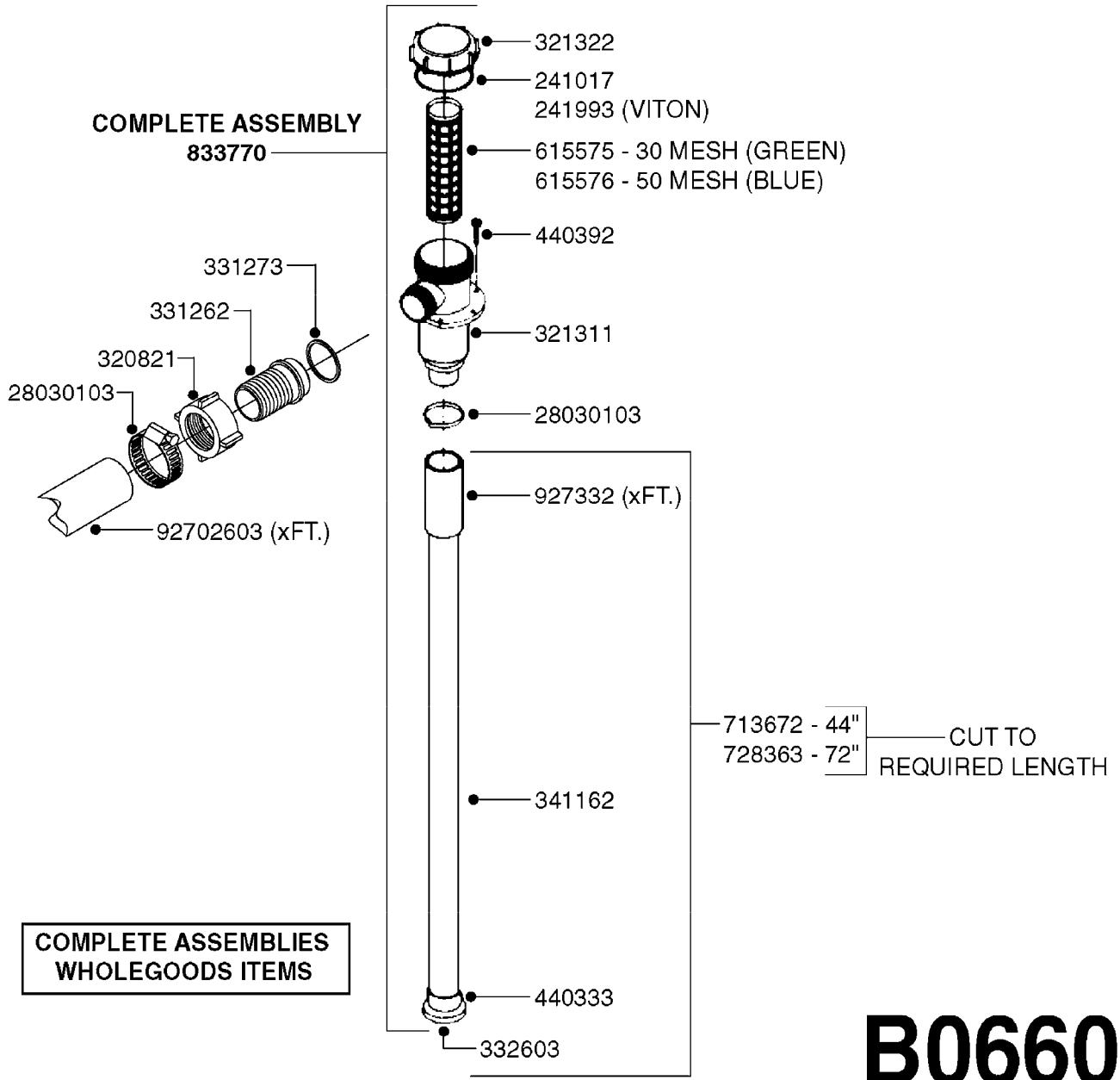
| parts-n° | order qty | description |
|----------|-----------|-----------------------------------|
| 10486703 | 1 | KIT F.UPDATING SCF |
| 167624 | 1 | MOUNT BRACKET F. SCF |
| 210793 | 1 | BALL F.SCF |
| 220706 | 1 | SPRING SCF 12 BAR |
| 220734 | 1 | SPRING SCF 25 BAR |
| 220800 | 1 | SPRING F.SCF |
| 240962 | 1 | O-RING D57,2X3 NITRIL |
| 241441 | 1 | O-RING D29.3X3 |
| 241953 | 1 | O-RING D73,03X3,53 VITON |
| 242020 | 1 | O-RING 39.2 X 3 VITON |
| 242047 | 1 | O-RING 89.5 X 3.0 VITON |
| 28029803 | 1 | CLAMP HOSE GEAR P1/2" 6708 |
| 28030003 | 1 | CLAMP HOSE GEAR P1" 6716 |
| 28030103 | 1 | CLAMP HOSE GEAR P5/4-S1.5"6724 |
| 285538 | 1 | BALL VALVE 3/4" BSP |
| 320047 | 1 | FITT.DK CAPNUT 1/2" BSP |
| 320084 | 1 | FITT.DK NUT 1/2" BSP |
| 320095 | 1 | FITT.DK NUT 1" BSP |
| 320106 | 1 | FITT.DK CAPNUT 1" BSP |
| 320283 | 1 | FITT.DK NUT 3/4"BSP |
| 320795 | 1 | FITT.DK NUT 1-1/2" BSP JAMB |
| 320821 | 1 | FITT.DK NUT 1-1/2" BSP |
| 322088 | 1 | NUT LARGE F.SCF BODY |
| 322216 | 1 | SCF HOUSING (THREADED) F.GROVE |
| 322217 | 1 | SCF TOP (THREADED) W/GROVE |
| 330072 | 1 | O-RING D53.5/D45.5X4 |
| 330212 | 1 | O-RING D19/D14X2.4 F.1/2"NUT |
| 330326 | 1 | O-RING D30/D24X2 F.1"NUT |
| 330341 | 1 | FITT.DK HB 1" F. 1" NUT |
| 330595 | 1 | O-RING D24.6/D20X2.1 -3/4" |
| 330676 | 1 | FITT.DK HB 3/8" F. 1/2" NUT |
| 332286 | 1 | FITT.DK HB 1/2" F. 3/4" NUT |
| 333292 | 1 | FITT.DK HB 1"O'RING F.1-1/2" |
| 334059 | 1 | FITT.DK EL 1" 110 DEG.F.1-1/2" |
| 334123 | 1 | FITT.DK HB 1-1/4"O-RNG F.1-1/2" |
| 334150 | 1 | FITT.DK HB 1-1/4" 110 F.1-1/2" |
| 334200 | 1 | ORFICE 3MM FOR SCF RED |
| 334201 | 1 | ORFICE 4MM FOR SCF WHITE |
| 334202 | 1 | ORFICE 5MM FOR SCF BLACK |
| 334203 | 1 | ORFICE 6MM FOR SCF GREEN |
| 390274 | 1 | ORIFICE ID4.0/18/1.5 |
| 390542 | 1 | PLUG WASHER FOR 3/4'CAP NUT |
| 410185 | 1 | BOLT HEX 8.8 DEL M6X16 |
| 420567 | 1 | BOLT HEX 8.8 DEL M8X30 FT |
| 460143 | 1 | NUT HEX M8X1.25 LOCK DIN985A2 SS |
| 460261 | 1 | NUT HEX M6X1.00 LOCK DIN985 A2 SS |
| 471125 | 1 | WASHER M6U 6.4X14X1.2,A2 SS |
| 61027600 | 1 | VALVE 1/2"BSP ASSY S5390 |
| 635397 | 1 | SCREEN SCF 80 MESH |
| 635677 | 1 | SCREEN SCF 100 MESH |
| 635681 | 1 | SCREEN SCF 50 MESH |
| 722971 | 1 | SAFETY VALVE SCF 217PSI (15BAR) |
| 724891 | 1 | SAFETY VALVE SCF 25 BAR |
| 725679 | 1 | SCF ASSY.50 W/THREADED TOP CAP |
| 725680 | 1 | SCF ASSY.80 W/THREADED TOP CAP |
| 725681 | 1 | SCF ASSY.100 W/THREADED CAP |
| 725995 | 1 | BAG FOR SCF |
| 727596 | 1 | SCF HOUSING COMPLETE |
| 728557 | 1 | CONE F.SCF RED |
| 92702103 | 1 | HOSE R X1/2" X300PSI WP X0012" |
| 92712403 | 1 | HOSE R X1" X300PSI WP X0012" |



SELF CLEANING FILTER-SCREW TOP
B0650-HIN, 01:01:16

Page 2
Date 04.11.2017 13:05

| parts-n° | order qty | description |
|----------|-----------|--------------------------------|
| 92734403 | 1 | HOSE R X5/4" X200PSI WP X0012" |



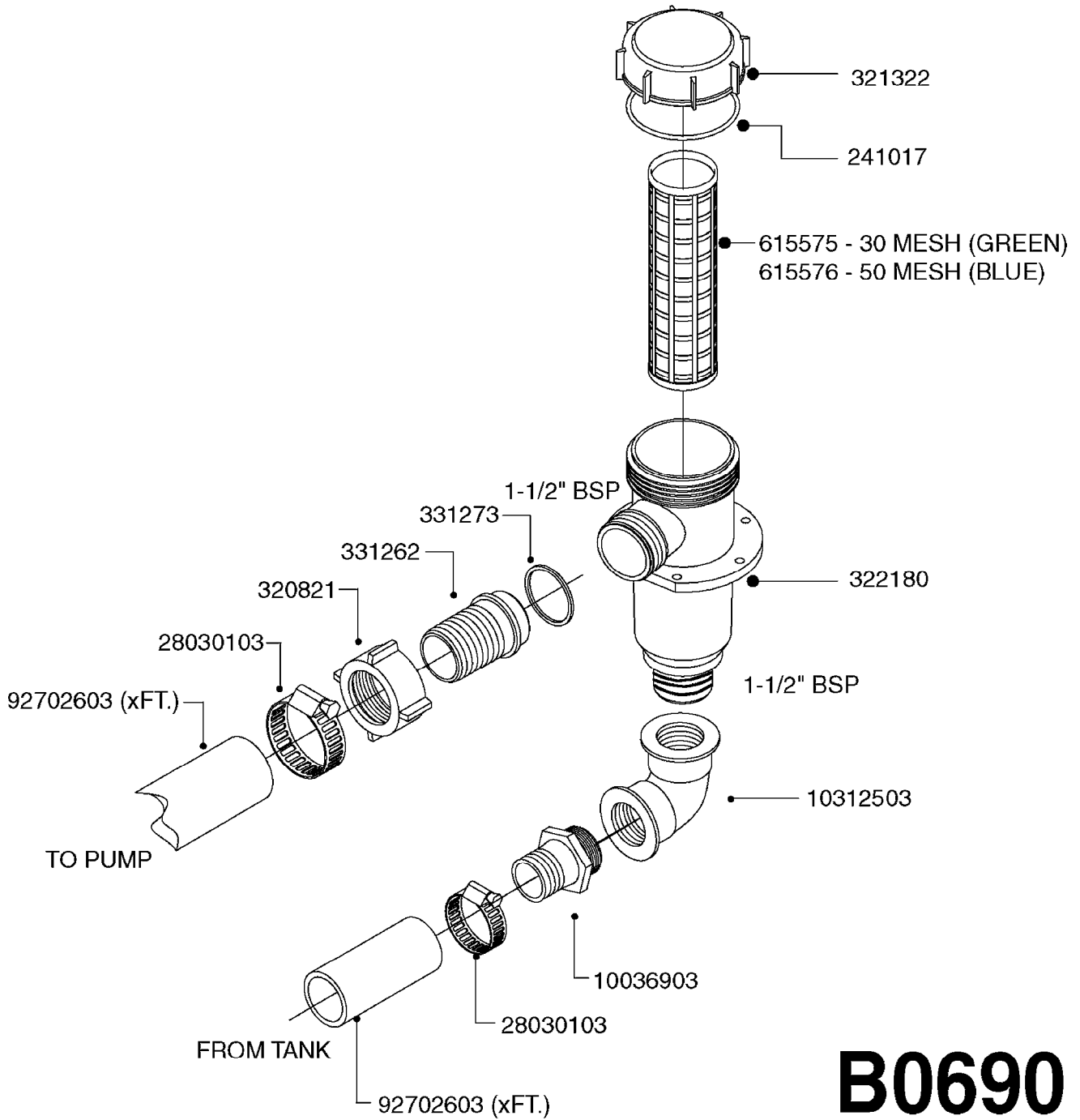


TOP SUCTION ASSEMBLY-SCREW CAP
B0660-HIN, 01:01:16

Page 1

Date 04.11.2017 13:05

| parts-n° | order qty | description |
|----------|-----------|--------------------------------|
| 241017 | 1 | O-RING D74,5X3 NITRIL |
| 241993 | 1 | O-RING 74.5 X 3MM VIT/241017 |
| 320821 | 1 | FITT.DK NUT 1-1/2" BSP |
| 321311 | 1 | FILTER BODY S 80 X 4 |
| 321322 | 1 | SCREW CAP F. S80 X 4 |
| 331262 | 1 | FITT.DK HB 1-1/2" F. 1-1/2"NUT |
| 331273 | 1 | O-RING D44/D38X2 F.1-1/2" |
| 332603 | 1 | CAP F. SUCTION TUBE |
| 341162 | 1 | SUCTION TUBE F.650 |
| 440333 | 1 | SCREW 3.5 X 9.5 SS |
| 440392 | 1 | SCREW 6.3 X 25.0 DIN7981C TORX |
| 615575 | 1 | FILTER F.TOP SUCT.30 MESH GRN. |
| 615576 | 1 | FILTER F.TOP SUCT.50 MESH BLUE |
| 713672 | 1 | SUCTION TUBE L=44" |
| 728363 | 1 | SUCTION TUBE ASSY.L=72" |
| 833770 | 1 | TOP SUCTION KIT 300/500 |
| 927332 | 1 | HOSE R X 28 BAR X 40MM X 0012" |
| 28030103 | 1 | CLAMP HOSE GEAR P5/4-S1.5"6724 |
| 92702603 | 1 | HOSE PVC SUCT GRAY 1-1/2" |

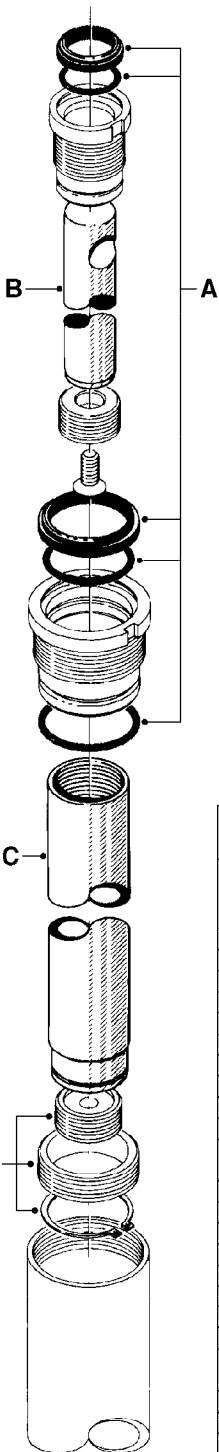




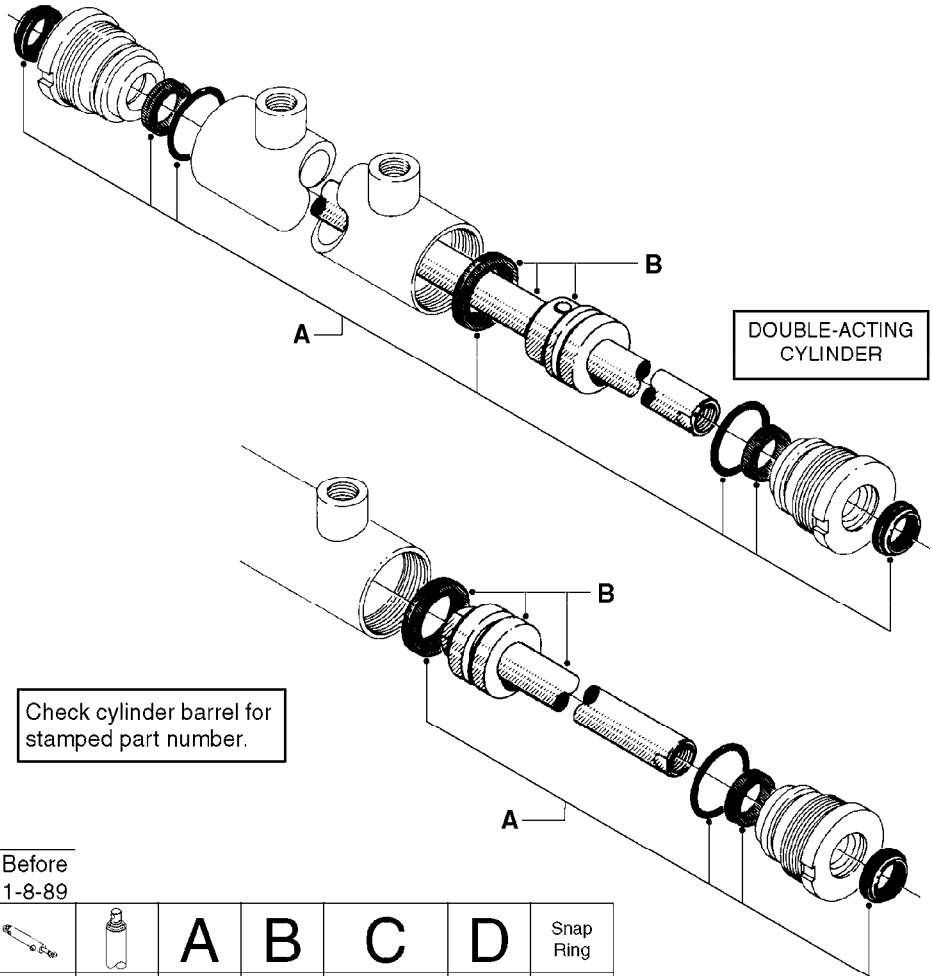
SUCTION FILTER CENTRIFUGAL
B0690-HIN, 01:01:16

Page 1
Date 04.11.2017 13:05

| parts-n° | order qty | description |
|----------|-----------|--------------------------------|
| 241017 | 1 | O-RING D74,5X3 NITRIL |
| 320821 | 1 | FITT.DK NUT 1-1/2" BSP |
| 321322 | 1 | SCREW CAP F. S80 X 4 |
| 322180 | 1 | SUCT.FILLER HOUSING W.1-1/2BSP |
| 331262 | 1 | FITT.DK HB 1-1/2" F. 1-1/2"NUT |
| 331273 | 1 | O-RING D44/D38X2 F.1-1/2" |
| 615575 | 1 | FILTER F.TOP SUCT.30 MESH GRN. |
| 615576 | 1 | FILTER F.TOP SUCT.50 MESH BLUE |
| 10036903 | 1 | FITT.PO.HB 1.50X1.50 IMB1212 |
| 10312503 | 1 | FITT.PO.EL 1.5X1.5 FEMALE |
| 28030103 | 1 | CLAMP HOSE GEAR P5/4-S1.5"6724 |
| 92702603 | 1 | HOSE PVC SUCT GRAY 1-1/2" |

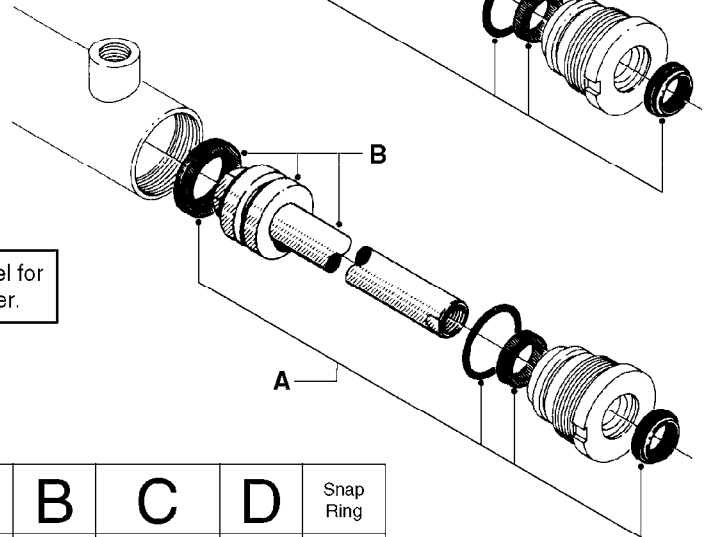


MULTI-STAGE CYLINDER



DOUBLE-ACTING CYLINDER

Check cylinder barrel for stamped part number.



SINGLE-ACTING CYLINDER

| After 1-8-89 | Before 1-8-89 | | A | B | C | D | Snap Ring |
|-----------------|------------------|--------|--------|--------|--------------------------|--------|------------------|
| | | 781001 | 750211 | 145962 | 728747 | 729630 | 283713 |
| 781021 | 781002 | | 750212 | 726137 | | | |
| 781003 | 781003 | | 750212 | 726138 | | | |
| | | 781004 | 750213 | 145963 | 728735 | 729631 | 283724 |
| 781023 | 781005 | | 750214 | 726139 | | | |
| | | 781006 | 750211 | 145964 | 159165 | 729632 | 283713 |
| 781023 | 781007 | | 750214 | 726139 | | | |
| 781008 | 781008 | | 750212 | 726140 | | | |
| | | 781010 | 750211 | 145964 | 159166 | 729632 | 283713 |
| | | 781011 | 755415 | 729729 | 729730 | 729635 | 283800 |
| | | 781012 | 750238 | 614624 | 614625-Ø60 614626-Ø80 | 729633 | 283843 |
| 781013 | 781013 | | 750239 | 726141 | | | |
| 781022 | 781014 | | 750212 | 726137 | | | |
| 781016 | | | 750212 | 726137 | | | |
| 781020 | | | 750252 | | | 728688 | |
| | | 781032 | 750213 | 146538 | 150325 | 729634 | 283724 |
| | | 781034 | 750211 | 147076 | 151291 | 729630 | 283713 |
| | | 781036 | 755415 | 615181 | 615180 | 729635 | 283800 |
| | | 781040 | 750213 | 146732 | 151286 | 729631 | 283724 |
| | | 781042 | 750254 | 615248 | 615249-Ø60 615250-Ø80 | 729637 | 283800 283843 |
| 781046 | | | 750255 | 730938 | | | |
| 781050 | | | 750255 | 730939 | | | |
| 781056 | | | 750255 | 730939 | | | |
| 781057 | | | 750255 | 730938 | | | |
| 781086 | | | 750212 | 726137 | | | |

C0010



| parts-n° | order qty | description |
|----------|-----------|--------------------------------|
| 145962 | 1 | VASTAGO PISTON D. 25 X 675 |
| 145963 | 1 | PISTON ROD 30 X 768.5 |
| 145964 | 1 | PISTON ROD 25 X 575 |
| 146538 | 1 | PISTON ROD Ø60/50/30-1700 |
| 146732 | 1 | CYLINDER ROD F. 781040 HYD CYL |
| 147076 | 1 | PISTON ROD 25 X 725 |
| 150325 | 1 | INTER.SHAFT Ø50/40 L=930 |
| 151286 | 1 | INTER. SHAFT F.781040 HYD CYL |
| 151291 | 1 | INTER.SHAFT Ø40/30 L=675.5 |
| 159165 | 1 | INTER. SHAFT F. 781006 HYD CYL |
| 159166 | 1 | INTER. SHAFT F.781010 HYD CYL |
| 283713 | 1 | SNAP-RING OUTER 38X1.75 |
| 283724 | 1 | SNAP-RING OUTER 48X1.75 |
| 283800 | 1 | SNAP-RING 58X2 |
| 283843 | 1 | SNAP-RING 78X2.5 |
| 614624 | 1 | PISTON ROD D40X865 |
| 614625 | 1 | PIPE INTERMEDIA D60X785 |
| 614626 | 1 | PIPE INTERMEDIA D80X769 |
| 615180 | 1 | INTER.SHAFT Ø60/50 L=918 |
| 615181 | 1 | PISTON ROD Ø70/60/40-1687 |
| 615248 | 1 | PISTON ROD Ø90/80/60/40-2250 |
| 615249 | 1 | PISTON ROD Ø60/50 L=853 |
| 615250 | 1 | PISTON ROD Ø80/70 L=829 |
| 726137 | 1 | PISTON ROD /PISTON PACKED |
| 726138 | 1 | PISTON ROD /PISTON PACKED |
| 726139 | 1 | PISTON ROD /PISTON PACKED |
| 726140 | 1 | PISTON ROD /PISTON PACKED |
| 726141 | 1 | PISTON ROD /PISTON PACKED |
| 728735 | 1 | CYLINDER TUBE W.STOP RING |
| 728688 | 1 | PISTON ROD/PISTON 50/30-300 |
| 728747 | 1 | INNER CYL.W.STOP RING 781001 |
| 729630 | 1 | PISTON RINGS F.781001,781034 |
| 729631 | 1 | PISTON RINGS F.781004,781040 |
| 729632 | 1 | PISTON RINGS F.781006,781010 |
| 729633 | 1 | PISTON RINGS F.781012 |
| 729634 | 1 | PISTON RINGS F.781032 |
| 729635 | 1 | PISTON RINGS F.781036 |
| 729637 | 1 | PISTON RINGS F.781042 |
| 729729 | 1 | PISTON ROD ASSY. 40 x 760MM |
| 729730 | 1 | PISTON ROD W/SEAL & RING |
| 730938 | 1 | PISTON ROD ASSY. F.781046/57 |
| 730939 | 1 | PISTON ROD ASSY. F. 781050/56 |
| 750211 | 1 | SEAL KIT F/781001 & 781006 |
| 750212 | 1 | SEAL KIT F.40/20 CYLINDER |
| 750213 | 1 | SEAL KIT F.60/50/30 CYLINDER |
| 750214 | 1 | SEAL KIT F.HY CYL. |
| 750238 | 1 | PACKING SET FOR HY CYL. 781012 |
| 750239 | 1 | PACKING SET FOR HY CYL. 781013 |
| 750252 | 1 | SEAL KIT F.HY CYL.781020 |
| 750254 | 1 | SEAL KIT F.HY CYL.781042 |
| 750255 | 1 | SEAL KIT F.40/22 CYLINDER |
| 755415 | 1 | SEAL KIT F.HY CYL.781011 |
| 781001 | 1 | CYL.TELESOPING Ø50/40/25_1100 |
| 781002 | 1 | DOUBLE CYLINDER D 40/20-300 |
| 781003 | 1 | CYLINDER 40/20 L=180 |
| 781004 | 1 | CYLINDER DOUB. D70/50/30-1300 |
| 781005 | 1 | DOUBLE CYLINDER D 50/25-300 |
| 781006 | 1 | CYLINDER DOUB.D50/40/25-900 |
| 781007 | 1 | CYLINDER LY/TY |
| 781008 | 1 | CYLINDER D40/20-120 |
| 781010 | 1 | CYLINDER TELESC.50/40/25-700 |



HYDRAULICS - CYLINDERS
C0010-HIN, 01:01:16

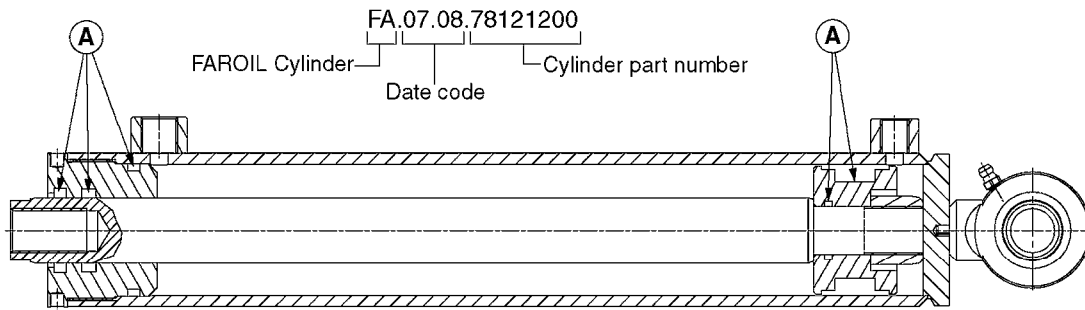
Page 2

Date 04.11.2017 13:05

| parts-n° | order qty | description |
|----------|-----------|--------------------------------|
| 781011 | 1 | CYLINDER TElesc.70/60/40 |
| 781012 | 1 | CYLINDER TEL.90/80/60/40-2100 |
| 781013 | 1 | CYLINDER D40/20X310 THROUGH |
| 781014 | 1 | CYLINDER 40/20 300MM |
| 781016 | 1 | CYLINDER DOU.W/SIDE DET.D40/20 |
| 781020 | 1 | CYL DOUB D50/30-300 78121600 |
| 781021 | 1 | DOUBLE CYLINDER D 40/20-300 |
| 781022 | 1 | CYLINDER 40/20 300MM |
| 781023 | 1 | DOUBLE CYLINDER D 50/25-300 |
| 781032 | 1 | CYLINDER TElesc.60/50/30-1700 |
| 781034 | 1 | HY. CYLINDER D50/40/25 - 1200 |
| 781036 | 1 | CYLINDER TElesc.70/60/40-1687 |
| 781040 | 1 | CYLINDER 60/50/30 1100MM |
| 781042 | 1 | CYLINDER TEL.90/80/60/40-2250 |
| 781046 | 1 | CYLINDER D40/22-300 |
| 781050 | 1 | CYLINDER D40/22-300 EXT.THREAD |
| 781056 | 1 | CYLINDER 40/22X300MM |
| 781057 | 1 | CYLINDER D40/22X300MM |
| 781086 | 1 | CYLINDER DOUBLE Ø40/20-180 |



Check cylinder barrel for stamped part number.



FAROIL cylinders directly replace the cylinders in the chart below. Seal kits (A) are for FAROIL cylinders only. Seal kits for replaced cylinders can be found on pages C0010 and C0020.

| FAROIL Cylinder # | Replaces Cylinder # | FAROIL Seal Kit (A) |
|-------------------|---------------------|---------------------|
| 78120000 | 781001 | 75075900 |
| 78120100 | 781011 | 75076000 |
| 78120200 | 781034 | 75075900 |
| 78120300 | 781040 | 75076100 |
| 78120500 | 781093 | 75074600 |
| 78120600 (LH) | 781096* | 28117300 |
| 78120700 (LH) | 781097* | 28117300 |
| 78120800 | 781100 | 75075400 |
| 78121000 | - | 75075500 |
| 78121200 | 781107 | 75074500 |
| 78121400 | 781109 | 75075200 |
| 78121600 | 781111 | 75074500 |
| 78121800 | 781113 | 75074400 |
| 78122000 | 781115 | 75074300 |
| 78122100 | 781116 | 75074400 |
| 78122300 | 781118 | 75074300 |
| 78122400 | 781119 | 75074300 |
| 78122600 | 781121 | 75075000 |
| 78122700 | 781122 | 75075000 |

| FAROIL Cylinder # | Replaces Cylinder # | FAROIL Seal Kit (A) |
|-------------------|---------------------|---------------------|
| 78122800 | 781123 | 75075000 |
| 78122900 | 781124 | 75075000 |
| 78123100 | 781126 | 75074300 |
| 78123200 | 781127 | 75074300 |
| 78123300 (LH) | 78115000* | 75075500 |
| 78124100 (RH) | 78115100* | 75075500 |
| 78124200** | 781139 | 75074800 |
| 78124300 (LH) | 781141* | 28117300 |
| 78124600 | 781115 | 75074300 |
| 78125100 (RH) | 78115000* | 75075500 |
| 78125300 (LH) | 78115100* | 75075500 |
| 78125500 (RH) | 781096* | 28117300 |
| 78125600 (RH) | 781097* | 28117300 |
| 78125700 (RH) | 781141* | 28117300 |
| 78126000 | 781132 | 75074900 |
| 78126400 | 781090 | 75076500 |
| 78128000 | 78120500 | 75074600 |
| 78128800 | 78121200 | 75075200 |

*Replaced by separate left and right cylinders.

** Only available as 72531000 (78124200 with fittings).

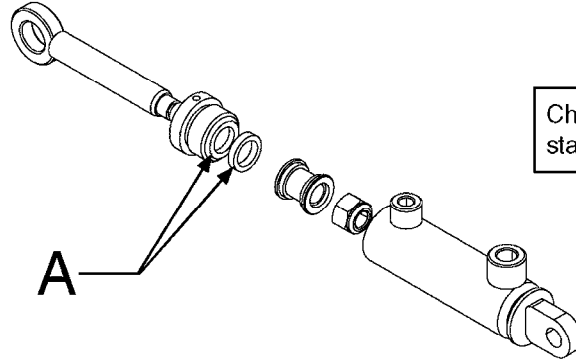
C0030



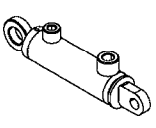
| parts-n° | order qty | description |
|----------|-----------|--|
| 781001 | 1 | CYL.TELESOPING Ø50/40/25_1100 |
| 781011 | 1 | CYLINDER TELESC.70/60/40 |
| 781034 | 1 | HY. CYLINDER D50/40/25 - 1200 |
| 781040 | 1 | CYLINDER 60/50/30 1100MM |
| 781090 | 1 | CYL DBLD32/16-200W |
| 781093 | 1 | CYLINDER FOLD SPC D60/30 L=300 |
| 781096 | 1 | CYLINDER 60/25 X 662 NAV PAR |
| 781097 | 1 | CYLINDER 60/25 X 725 CM PAR |
| 781100 | 1 | CYLINDER DOUBLE 60/30-300 |
| 781107 | 1 | DOBCYL50/30-500/M24X2 78121200 |
| 781109 | 1 | DOUBLE CYLINDER D 50/30-300 |
| 781111 | 1 | CYL DOUB D50/30-300 78121600 |
| 781113 | 1 | DOUBLE CYLINDER D 50/25-300 |
| 781115 | 1 | DOUBLE CYLINDER D 40/20-300 |
| 781116 | 1 | CYLINDER DOUBLE D50/25-298 |
| 781118 | 1 | CYLINDER 40/20 L=180 |
| 781119 | 1 | DOUBLE CYLINDER D 40/20-300 |
| 781121 | 1 | CYLINDER D40/22-300 BLACK |
| 781122 | 1 | CYLINDER 40/22X300MM RED |
| 781123 | 1 | CYLINDER D40/22-300 BLACK |
| 781124 | 1 | CYLINDER 40/22X300MM RED |
| 781126 | 1 | CYLINDER D40/20-120 |
| 781127 | 1 | CYLINDER D40/20-120 |
| 781132 | 1 | CYL.STAB CM1200 04 78126000 |
| 781139 | 1 | CYLINDER D25/12-50 |
| 781141 | 1 | CYLINDER 60/25 X 635 DELTA PAR |
| 28117300 | 1 | SEAL KIT 78120600/07/43 |
| 72531000 | 1 | CYL. D25/12-50/78124200 W/FITT |
| 75074300 | 1 | SEALKIT78122000/23-25/30-32/46 |
| 75074400 | 1 | SEAL KIT 78121800/21/44 |
| 75074500 | 1 | SEALKIT78121100-13/15/16/36/48 |
| 75074600 | 1 | SEAL KIT 78120500/49 |
| 75074800 | 1 | SEAL KIT 78123400/42 |
| 75074900 | 1 | SEAL KIT 78123700 |
| 75075000 | 1 | SEAL KIT 78122600/27/28/29 |
| 75075200 | 1 | SEAL KIT 78120900/14/50 |
| 75075400 | 1 | SEAL KIT 78120800 |
| 75075500 | 1 | SEAL KIT 78121000/33/41/51/53 |
| 75075900 | 1 | SEAL KIT FOR 78120000 & 78120200 |
| 75076000 | 1 | SEAL KIT 78120100 |
| 75076100 | 1 | SEAL KIT 78120300 |
| 75076500 | 1 | SEAL KIT 78126400 |
| 78115000 | 1 | DBL CYL D70/40-320 AIRING |
| 78115100 | 1 | CYL DOB.D70/40-265 AIR INLET R |
| 78120000 | 1 | CYL.TELESOPING Ø50/40/25_1100 |
| 78120100 | 1 | CYLINDER TELESC.70/60/40 |
| 78120200 | 1 | HY. CYLINDER D50/40/25 - 1200 |
| 78120300 | 1 | CYLINDER 60/50/30 1100MM |
| 78120500 | 1 | CYLINDER FOLD SPC D60/30 L=300 NLA - REPLACED BY 78128000 |
| 78120600 | 1 | CYLINDER 60/25 X 662 NAV PAR L |
| 78120700 | 1 | SIN.CYL.Ø60/25-725 2XØ25 LEFT |
| 78120800 | 1 | SIN.CYL.Ø60/30_300 M24X2 |
| 78121000 | 1 | CYLINDER DOUBLE D70/40-400 |
| 78121200 | 1 | CYLINDER, D50/30-500 |
| 78121400 | 1 | CYLINDER DOUBLE D50/30-300 |
| 78121600 | 1 | CYLINDER DOUBLE D50/30-300 |
| 78121800 | 1 | CYLINDER D50/25 L=300 |
| 78122000 | 1 | CYLINDER DOUBLE Ø40/20-300 0° |
| 78122100 | 1 | CYLINDER DOUBLE D50/25-298 |
| 78122300 | 1 | DOB.CYL.D40/20_180 |

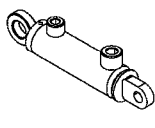


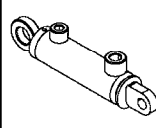
| parts-n° | order qty | description |
|----------|-----------|--------------------------------|
| 78122400 | 1 | DOUBLE CYLINDER D 40/20-300 |
| 78122600 | 1 | CYLINDER D40/22-300 BLACK |
| 78122700 | 1 | CYLINDER 40/22X300MM RED |
| 78122800 | 1 | CYLINDER D40/22-300 BLACK |
| 78122900 | 1 | CYLINDER 40/22X300MM RED |
| 78123100 | 1 | CYLINDER D40/20-120 |
| 78123200 | 1 | CYLINDER D40/20-120 |
| 78123300 | 1 | DBL CYL D70/40-320 AIR INLET L |
| 78124100 | 1 | CYL DOB.D70/40-265 AIR INLET R |
| 78124200 | 1 | CYLINDER D25/12-50 |
| 78124300 | 1 | CYLINDER 60/25 X 635 DELTA L |
| 78124600 | 1 | CYLINDER DOUBLE Ø40/20-300 90° |
| 78125100 | 1 | DBL CYL D70/40-320 AIR INLET R |
| 78125300 | 1 | CYL DOB.D70/40-265 AIR INLET L |
| 78125500 | 1 | CYLINDER 60/25 X 662 NAV PAR R |
| 78125600 | 1 | SIN.CYL.Ø60/25_725_2XØ25 RIGHT |
| 78125700 | 1 | CYLINDER 60/25 X 635 DELTA R |
| 78126000 | 1 | CYLINDER,DAMPNER, LOCKING |
| 78126400 | 1 | CYLINDER DBLE D32/16-200 W.STP |
| 78128000 | 1 | CYLINDER DOUB. D60/30 L=300 09 |
| 78128800 | 1 | CYLINDER, D50/30-500 |



Check cylinder barrel for stamped part number.

|  | A |
|---|----------|
| 781136 | 28064100 |
| 781137 | 28064200 |
| 78114300 | 75083800 |
| 78120000 | 75075900 |
| 78120100 | 75076000 |
| 78120200 | 75075900 |
| 78120300 | 75076100 |
| 78120400 | 75074200 |
| 78120500 | 75074600 |
| 78120600 | 28117300 |
| 78120700 | 28117300 |
| 78120800 | 75075400 |
| 78121000 | 75075500 |
| 78121200 | 75074500 |
| 78121300 | 75074500 |
| 78121400 | 75075200 |
| 78121600 | 75074500 |
| 78121800 | 75074400 |
| 78122000 | 75074300 |
| 78122100 | 75074400 |
| 78122300 | 75074300 |
| 78122400 | 75074300 |
| 78122600 | 75075000 |
| 78122700 | 75075000 |

|  | A |
|---|----------|
| 78122800 | 75075000 |
| 78122900 | 75075000 |
| 78123000 | 75074300 |
| 78123100 | 75074300 |
| 78123200 | 75074300 |
| 78123400* | 75074800 |
| 78123700 | 75074900 |
| 78124100 | 75075500 |
| 78124300 | 28117300 |
| 78124400 | 75074400 |
| 78124500 | 75076400 |
| 78124600 | 75074300 |
| 78125100 | 75075500 |
| 78125300 | 75075500 |
| 78125500 | 28117300 |
| 78125800 | 75076400 |
| 78126000 | 75074900 |
| 78126400 | 75076500 |
| 78126500 | 75074800 |
| 78127200 | 75084400 |
| 78127800 | 75084500 |
| 78128000 | 75074600 |
| 78128100 | 75084700 |
| 78128200 | 75084800 |

|  | A |
|---|----------|
| 78128500 | 75084900 |
| 78128700 | 75075200 |
| 78128800 | 75075200 |
| 78129900 | 75074300 |
| 78130600 | 75074400 |
| 78130900 | 75085400 |
| 78131000 | 75075400 |
| 78131100 | 75085500 |
| 78131400 | 75084800 |
| 78131800 | 75586200 |
| 78132700 | 75084600 |
| 78132800 | 75586100 |
| 78132900 | 75586100 |
| 78133900 | 75075500 |
| 78134000 | 75075500 |

* Only available as 72320300 (78123400 with spring lock & fittings).

C0040



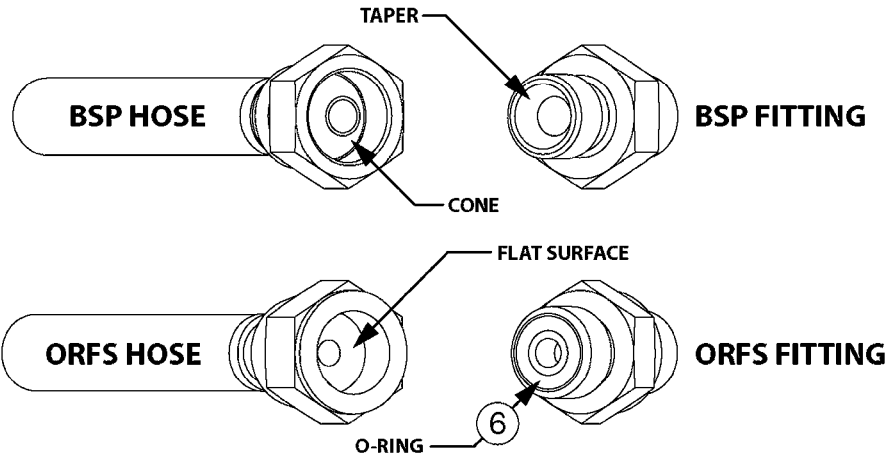
| parts-n° | order qty | description |
|----------|-----------|--|
| 781136 | 1 | HYDRAULIC SHOCK NCM4400 SUSP. |
| 781137 | 1 | HYDRAULIC SHOCK NCM6600 SUSP. |
| 28064100 | 1 | GASKET SET FOR CYL. 781136 |
| 28064200 | 1 | GASKET SET FOR CYL. 781137 |
| 28117300 | 1 | SEAL KIT 78120600/07/43 |
| 72320300 | 1 | HYD. CYL. STEERING LOCK CM "05 |
| 75074200 | 1 | SEAL KIT 78120400 |
| 75074300 | 1 | SEALKIT78122000/23-25/30-32/46 |
| 75074400 | 1 | SEAL KIT 78121800/21/44 |
| 75074500 | 1 | SEALKIT78121100-13/15/16/36/48 |
| 75074600 | 1 | SEAL KIT 78120500/49 |
| 75074800 | 1 | SEAL KIT 78123400/42 |
| 75074900 | 1 | SEAL KIT 78123700 |
| 75075000 | 1 | SEAL KIT 78122600/27/28/29 |
| 75075200 | 1 | SEAL KIT 78120900/14/50 |
| 75075400 | 1 | SEAL KIT 78120800 |
| 75075500 | 1 | SEAL KIT 78121000/33/41/51/53 |
| 75075900 | 1 | SEAL KIT FOR 78120000 & 78120200 |
| 75076000 | 1 | SEAL KIT 78120100 |
| 75076100 | 1 | SEAL KIT 78120300 |
| 75076400 | 1 | SEAL KIT 78124500 & 78125800 |
| 75076500 | 1 | SEAL KIT 78126400 |
| 75083800 | 1 | SEAL KIT F.78114300 |
| 75084400 | 1 | SEAL KIT FOR 78127200/7500 |
| 75084500 | 1 | SEAL KIT FOR 78127800 |
| 75084600 | 1 | SEAL KIT FOR 781279/8600 |
| 75084700 | 1 | SEAL KIT FOR 78128100 |
| 75084800 | 1 | SEAL KIT FOR 78128200/78131200 |
| 75084900 | 1 | SEAL KIT FOR 78128500 |
| 75085400 | 1 | SEAL KIT FOR 78130900 |
| 75085500 | 1 | SEAL KIT FOR HYDRAULIC CYLINDER 78131100 |
| 75586100 | 1 | SEAL KIT FOR 78131700 |
| 75586200 | 1 | SEALKIT 80/40 FOR 78131800 |
| 78114300 | 1 | CYLINDER 70/30 X 662 LG PAR R |
| 78120000 | 1 | CYL.TELESOPING Ø50/40/25_1100 |
| 78120100 | 1 | CYLINDER TELESC.70/60/40 |
| 78120200 | 1 | HY. CYLINDER D50/40/25 - 1200 |
| 78120300 | 1 | CYLINDER 60/50/30 1100MM |
| 78120400 | 1 | CYLINDER DBLE D32/16-200 W.STP |
| 78120500 | 1 | CYLINDER FOLD SPC D60/30 L=300 |
| 78120600 | 1 | CYLINDER 60/25 X 662 NAV PAR L |
| 78120700 | 1 | SIN.CYL.Ø60/25-725 2XØ25 LEFT |
| 78120800 | 1 | SIN.CYL.Ø60/30 300 M24X2 |
| 78121000 | 1 | CYLINDER DOUBLE D70/40-400 |
| 78121200 | 1 | CYLINDER, D50/30-500 |
| 78121300 | 1 | CYLINDER DBLE Ø50/30-600(700) |
| 78121400 | 1 | CYLINDER DOUBLE D50/30-300 |
| 78121600 | 1 | CYLINDER DOUBLE D50/30-300 |
| 78121800 | 1 | CYLINDER D50/25 L=300 |
| 78122000 | 1 | CYLINDER DOUBLE Ø40/20-300 0° |
| 78122100 | 1 | CYLINDER DOUBLE D50/25-298 |
| 78122300 | 1 | DOB.CYL.D40/20 180 |
| 78122400 | 1 | DOUBLE CYLINDER D 40/20-300 |
| 78122600 | 1 | CYLINDER D40/22-300 BLACK |
| 78122700 | 1 | CYLINDER 40/22X300MM RED |
| 78122800 | 1 | CYLINDER D40/22-300 BLACK |
| 78122900 | 1 | CYLINDER 40/22X300MM RED |
| 78123000 | 1 | CYLINDER D40/20-120 |
| 78123100 | 1 | CYLINDER D40/20-120 |
| 78123200 | 1 | CYLINDER D40/20-120 |
| 78123400 | 1 | CYLINDER FOR TRACK LOCK, NCM |



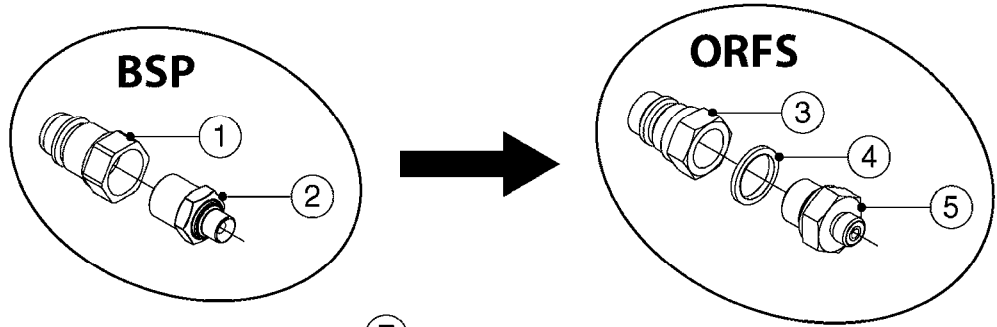
| parts-n° | order qty | description |
|----------|-----------|------------------------------------|
| 78123700 | 1 | CYLINDER,DAMPNER,LOCK 78126000 |
| 78124100 | 1 | CYL DOB.D70/40-265 AIR INLET R |
| 78124300 | 1 | CYLINDER 60/25 X 635 DELTA L |
| 78124400 | 1 | CYLINDER DOUBLE D50/25 250 |
| 78124500 | 1 | CYLINDER 70/30 X 662 LG PAR L |
| 78124600 | 1 | CYLINDER DOUBLE Ø40/20-300 90° |
| 78125100 | 1 | DBL CYL D70/40-320 AIR INLET R |
| 78125300 | 1 | CYL DOB.D70/40-265 AIR INLET L |
| 78125500 | 1 | CYLINDER 60/25 X 662 NAV PAR R |
| 78125800 | 1 | CYLINDER 70/30 X 662 LG PAR R |
| 78126000 | 1 | CYLINDER,DAMPNER,LOCKING |
| 78126400 | 1 | CYLINDER DBLE D32/16-200 W.STP |
| 78126500 | 1 | CYLINDER D25/12-50 FAROIL NNAV |
| 78127200 | 1 | CYLINDER DOUB. D40/25 L=455 |
| 78127800 | 1 | HYDRAULIC CYLINDER 25-40 |
| 78128000 | 1 | CYLINDER DOUB. D60/30 L=300 09 |
| 78128100 | 1 | CYLINDER 70/30-300/TILT TDZ |
| 78128200 | 1 | PLUNGECYLINDER 70/838 2X30 |
| 78128500 | 1 | CYLINDER DOUBLE PLUNGER D60X75 |
| 78128700 | 1 | CYLINDER DOUBLE D50/30 500 |
| 78128800 | 1 | CYLINDER, D50/30-500 |
| 78129900 | 1 | CYLINDER DOUBLE D40/20 180 1/4 |
| 78130600 | 1 | DOB.CYL.Ø50/25-240/M. SENSOR |
| 78130900 | 1 | CYLINDER, D70/40-500 TDZ FOLD |
| 78131000 | 1 | CYLINDER, 60/30X462, 120' SPC |
| 78131100 | 1 | HY. CYLINDER, 70/40X400 |
| 78131400 | 1 | PLUNGE CYLINDER D70 L=838 2X35 |
| 78131800 | 1 | CYLINDER 80/40-300/ TILT TDZ |
| 78132700 | 1 | DOB.CYL.Ø70/30-436/ Ø30 |
| 78132800 | 1 | DOB.CYL.Ø70/30-360/M30 SPEC. |
| 78132900 | 1 | DOB.CYL.Ø70/30-280/M30 SPEC. |
| 78133900 | 1 | DOB.CYL.Ø70/40-322 TRACK RIGHT '15 |
| 78134000 | 1 | DOB.CYL.Ø70/40-322 TRACK LEFT '15 |



IMPORTANT!
BSP hoses require BSP fittings
ORFS hoses require ORFS fittings



| |
|---|
| 1/4" ORFS Hoses require 9/16" ORFS Fittings |
| 3/8" ORFS Hoses require 11/16" ORFS Fittings |
| 1/2" ORFS Hoses require 13/16" ORFS Fittings |
| 3/4" ORFS Hoses require 1-3/16" ORFS Fittings |



7

| ORFS Hose Size | ORFS Fitting Size | BSP Fitting Size |
|----------------|-------------------|------------------|
| 1/4" | 9/16" | 1/2" |
| 3/8" | 11/16" | 5/8" |
| 1/2" | 13/16" | 3/4" |
| 3/4" | 1-3/16" | 1" |

8

| ORFS Hose Size | ORFS Fitting Size | BSP Fitting Size |
|----------------|-------------------|------------------|
| 1/4" | 9/16" | 1/2" |
| 3/8" | 11/16" | 5/8" |
| 1/2" | 13/16" | 3/4" |
| 3/4" | 1-3/16" | 1" |

C0045

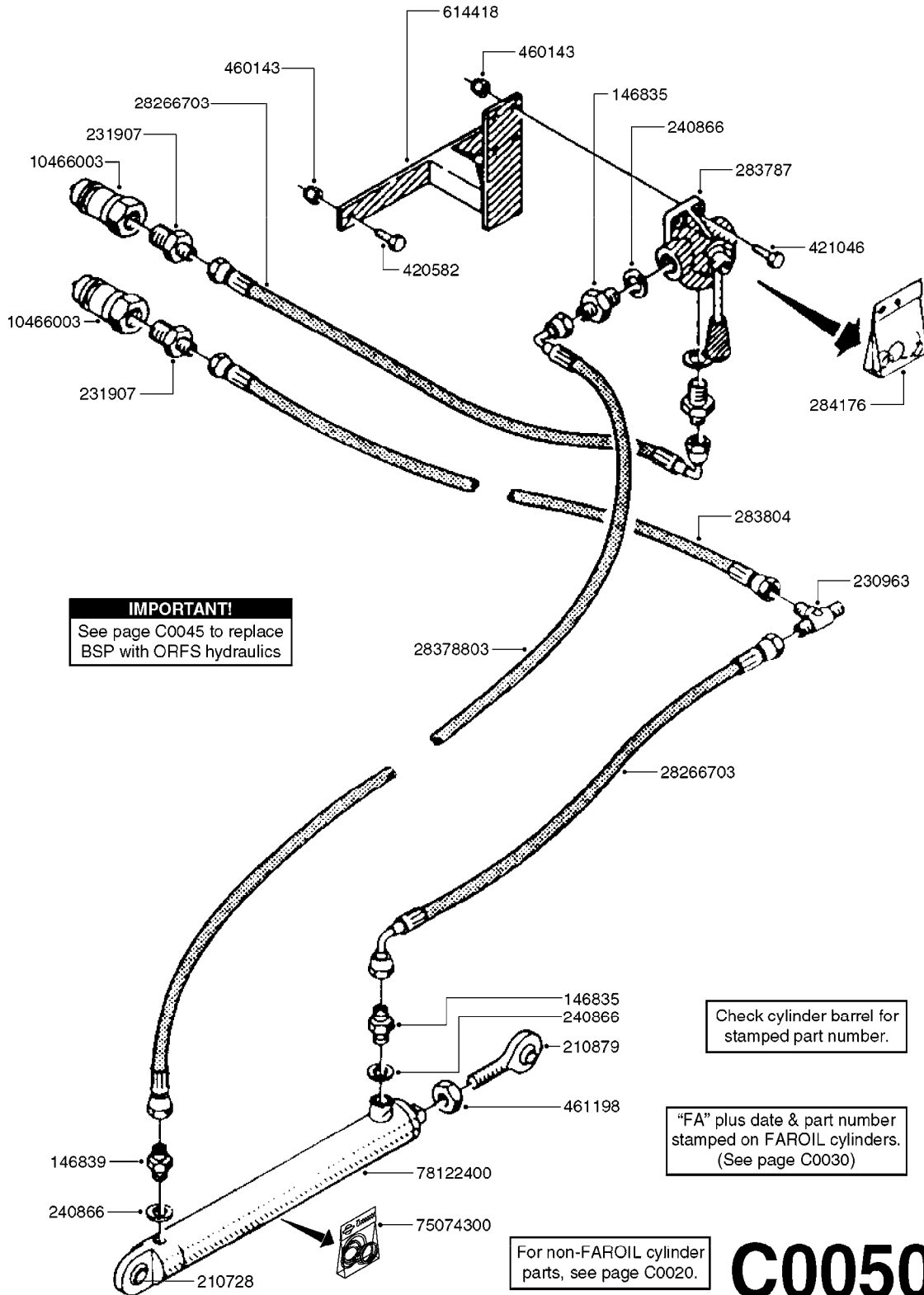


HYDRAULICS - BSP TO ORFS
C0045-HIN, 24:03:16

Page 1

Date 04.11.2017 13:05

| Pos. | parts-n° | order qty | description |
|------|----------|-----------|--|
| 1 | 10466003 | 1 | COUPLER PIONEER 8010-04 1/2NPT |
| 2 | 231907 | 1 | HEX NIPPLE 1/4"BSP X 1/2"NPT |
| 2 | 231906 | 1 | HEX NIPPLE 3/8"BSP X 1/2"NPT |
| 2 | 147132 | 1 | HEX NIPPLE 1/2"X1/2" BSP DEL |
| 3 | 230311 | 1 | QUICK COUPLING 1/2" |
| 4 | 241356 | 1 | DOWTYSEAL 1/2" |
| 5 | 23234800 | 1 | HEX NIPPLE 1/2"-9/16" ORFS FITTING FOR 1/4" HOSE |
| 5 | 23234900 | 1 | HEX NIPPLE 1/2"-11/16" ORFS FITTING FOR 3/8" HOSE |
| 5 | 23235300 | 1 | HEX NIPPLE 1/2"-13/16" ORFS FITTING FOR 1/2" HOSE |
| 6 | 242102 | 1 | O-RING Ø9.25X1.78 NITRIL 90SH |
| 6 | 24263200 | 1 | O-RING Ø7.66X1.78 NITRIL 90SH |
| 6 | 24263300 | 1 | O-RING Ø12.42X1.78 NITRIL 90SH |
| 6 | 24263400 | 1 | O-RING Ø18.77X1.78 NITRIL 90SH |
| 7 | 67002403 | 1 | CHART - BSP TO ORFS HOSES |
| 8 | 67002503 | 1 | CHART - BSP TO ORFS FITTINGS |



IMPORTANT!
See page C0045 to replace
BSP with ORFS hydraulics

Check cylinder barrel for
stamped part number.

"FA" plus date & part number
stamped on FAROIL cylinders.
(See page C0030)

For non-FAROIL cylinder
parts, see page C0020.

C0050



HYDRAULICS - SB WING FOLD
C0050-HIN, 23:03:16

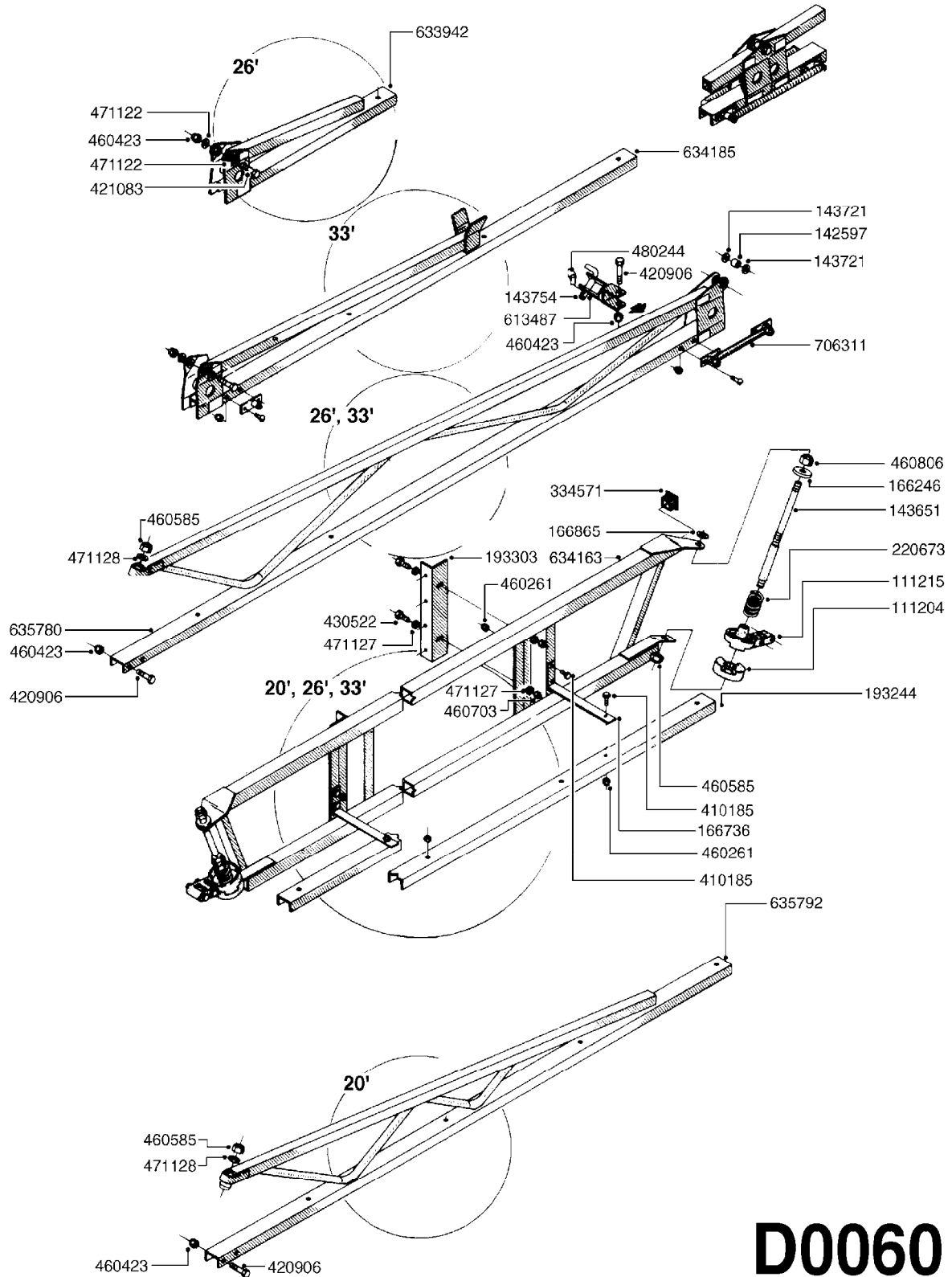
Page 1
Date 04.11.2017 13:05

| parts-n° | order qty | description |
|----------|-----------|----------------------------------|
| 146835 | 1 | ADAPTEUR BSP 1/4" X 3/8" |
| 146839 | 1 | HEX NIPPLE 1/4"X3/8" BSP 0.7MM |
| 210728 | 1 | BEARING F.LINK HEAD M17 |
| 210879 | 1 | LINK HEAD M16 x D17 |
| 230963 | 1 | TEE 1/4"M X 1/4"M X 1/4"M BSP |
| 231907 | 1 | HEX NIPPLE 1/4"BSP X 1/2"NPT |
| 240866 | 1 | DOWTYSEAL 3/8" |
| 283787 | 1 | VALVE HY 3 WAY F.VARIANT |
| 283804 | 1 | HOSE HY X 1/4 X 090.5' |
| 284176 | 1 | O-RINGS KIT F/HY-VALVE 283787 |
| 420582 | 1 | BOLT HEX 8.8 DEL M8X20 FT A2 |
| 421046 | 1 | SCREW HEX M8X25/25 A2 SS DIN933 |
| 460143 | 1 | NUT HEX M8X1.25 LOCK DIN985A2 SS |
| 461198 | 1 | NUT HEX M16X2 JAMB |
| 614418 | 1 | BRACKET HY-VALVE |
| 10466003 | 1 | COUPLER PIONEER 8010-04 1/2NPT |
| 28266703 | 1 | HOSE HY X1/4X029.50"STR+ELB |
| 28378803 | 1 | HOSE HY X1/4X85.0"STR+ELB |
| 75074300 | 1 | SEALKIT78122000/23-25/30-32/46 |
| 78122400 | 1 | DOUBLE CYLINDER D 40/20-300 |



BOOM - SB 20' 26' 33'
D0060-HIN, 01:01:16

Page 0
Date 04.11.2017 13:05



D0060

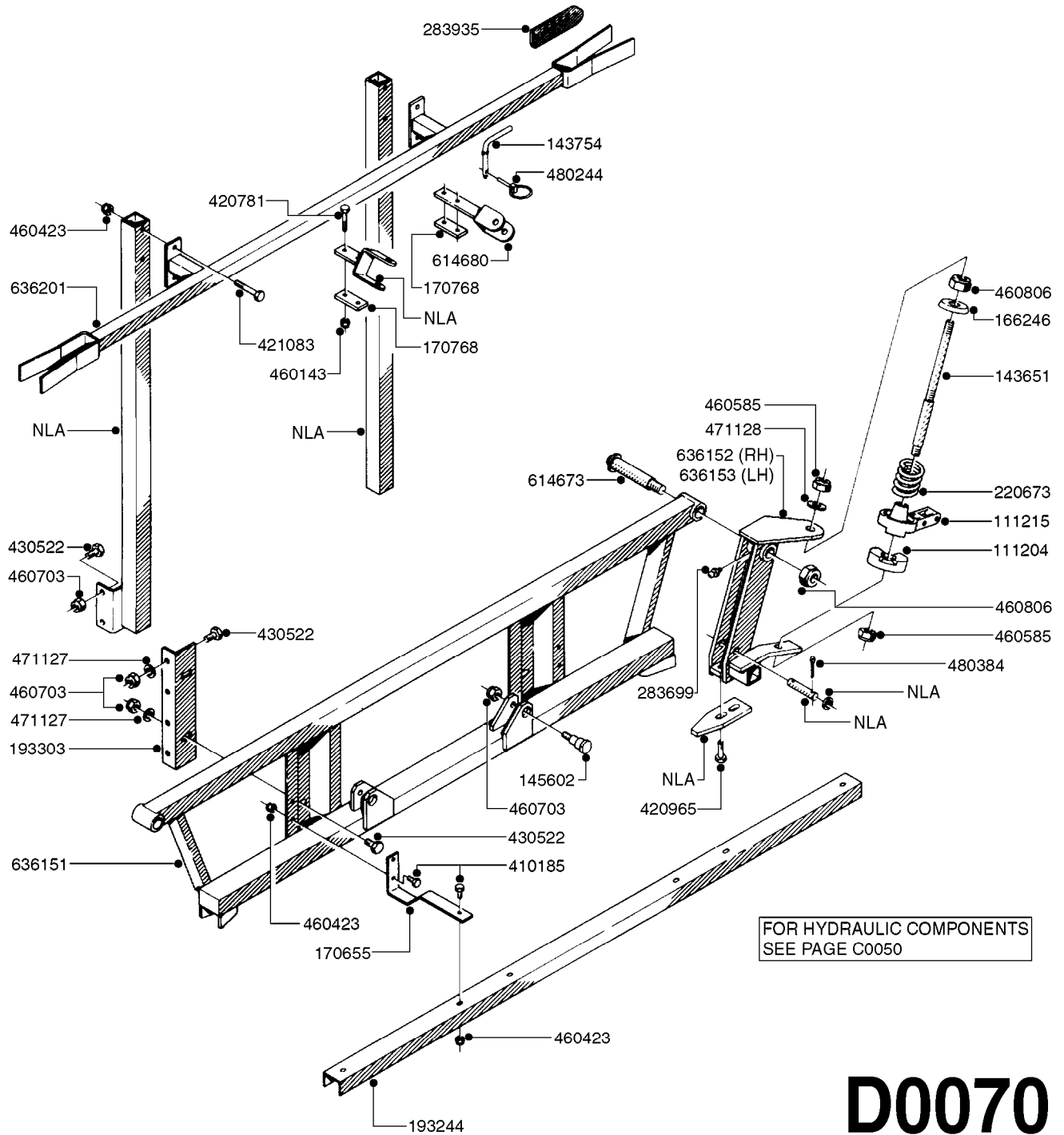


BOOM - SB 20' 26' 33'
D0060-HIN, 01:01:16

Page 1

Date 04.11.2017 13:05

| parts-n° | order qty | description |
|----------|-----------|-----------------------------------|
| 111204 | 1 | CLAW CLUTCH/LOWER D80 |
| 111215 | 1 | CLAW CLUTCH/UPPER D80 |
| 142597 | 1 | DISTANCE TUBE |
| 143651 | 1 | AXLE M20/M16 L=355 F/BREAKAWAY |
| 143721 | 1 | FRICITION DISC FOR BOOM D30 |
| 143754 | 1 | PIN D10 X 56 |
| 166246 | 1 | WASHER CUP D53 F.SPRING |
| 166736 | 1 | CLAMP FOR SB BOOM |
| 166865 | 1 | WASHER D35/D25X2 |
| 193244 | 1 | NOZZLE TRACK 6-8-10 M SB |
| 193303 | 1 | SUPPORTING ARM FOR SB BOOM |
| 220673 | 1 | SPRING F.PIVOT 100 X 51 |
| 334571 | 1 | PLUG 40x40x2 F.SQ.TUBE |
| 410185 | 1 | BOLT HEX 8.8 DEL M6X16 |
| 420906 | 1 | BOLT HEX 8.8 DEL M10X60 |
| 421083 | 1 | BOLT HEX 8.8 DEL M10X65 |
| 430522 | 1 | BOLT HEX 8.8 DEL M12X25 FT |
| 460261 | 1 | NUT HEX M6X1.00 LOCK DIN985 A2 SS |
| 460423 | 1 | NUT HEX M10X1.50 LOCK DIN985A2 SS |
| 460585 | 1 | LOCKING NUT M16 DIN985 A2 SS |
| 460703 | 1 | NUT HEX M12X1.75 LOCK DIN985A2 SS |
| 460806 | 1 | NUT HEX M20X2.50 LOCK DIN985A2 SS |
| 471122 | 1 | WASHER, M10, Ø20/10.5X 2.0, SS |
| 471127 | 1 | WASHER Z12N 13X24X2,5 RST |
| 471128 | 1 | WASHER, M16, Ø30/17.0X 3.0, SS |
| 480244 | 1 | PIN SNAP D4.5 |
| 613487 | 1 | TRANSPORT FITTINGS FOR SB BOOM |
| 633942 | 1 | OUTER BOOM WING 26', 28' SB |
| 634163 | 1 | CENTER SECTION - 20',26',33' |
| 634185 | 1 | BOOM WING OUTER PART 33' SB |
| 635780 | 1 | INNER WING SEC. 26',28',33'SB |
| 635792 | 1 | BOOM WING - 20',21'SB-BOOM |
| 706311 | 1 | SPRING WITH HAND-GRIB |



D0070



BOOM - SB H-FRAME & CENTER HY
D0070-HIN, 01:01:16

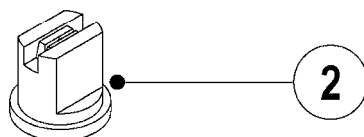
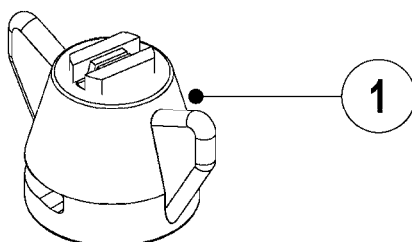
Page 1

Date 04.11.2017 13:05

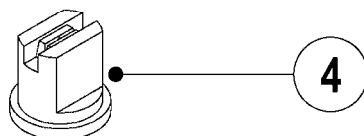
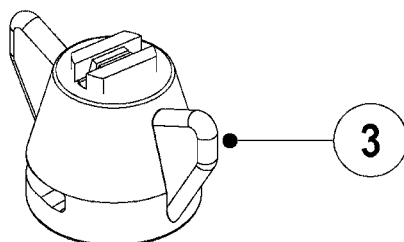
| parts-n° | order qty | description |
|----------|-----------|-----------------------------------|
| 111204 | 1 | CLAW CLUTCH/LOWER D80 |
| 111215 | 1 | CLAW CLUTCH/UPPER D80 |
| 143651 | 1 | AXLE M20/M16 L=355 F/BREAKAWAY |
| 143754 | 1 | PIN D10 X 56 |
| 145602 | 1 | BOLT SHOULDER M12 X 68 D=17 |
| 166246 | 1 | WASHER CUP D53 F.SPRING |
| 170655 | 1 | BRKT. F/SB/HY CENTER |
| 170768 | 1 | FLAT BAR 30X6 L=70/2XØ9 |
| 193244 | 1 | NOZZLE TRACK 6-8-10 M SB |
| 193303 | 1 | SUPPORTING ARM FOR SB BOOM |
| 220673 | 1 | SPRING F.PIVOT 100 X 51 |
| 283699 | 1 | GREASE NIPPLE M6X1 |
| 283935 | 1 | PLASTIC COVER F. ARM SB/HYD |
| 410185 | 1 | BOLT HEX 8.8 DEL M6X16 |
| 420781 | 1 | BOLT HEX 8.8 DEL M8X50 |
| 420965 | 1 | M10X40 MACHINE SCREW STAINLESS |
| 421083 | 1 | BOLT HEX 8.8 DEL M10X65 |
| 430522 | 1 | BOLT HEX 8.8 DEL M12X25 FT |
| 460143 | 1 | NUT HEX M8X1.25 LOCK DIN985A2 SS |
| 460423 | 1 | NUT HEX M10X1.50 LOCK DIN985A2 SS |
| 460585 | 1 | LOCKING NUT M16 DIN985 A2 SS |
| 460703 | 1 | NUT HEX M12X1.75 LOCK DIN985A2 SS |
| 460806 | 1 | NUT HEX M20X2.50 LOCK DIN985A2 SS |
| 471127 | 1 | WASHER Z12N 13X24X2,5 RST |
| 471128 | 1 | WASHER, M16, Ø30/17.0X 3.0, SS |
| 480244 | 1 | PIN SNAP D4.5 |
| 480384 | 1 | PIN COTTER 3/16 x 1-1/2" |
| 614673 | 1 | PIN D26X140MM |
| 614680 | 1 | ARM LONG FOR SB BOOM |
| 636151 | 1 | CENTER FRAME SB/ |
| 636152 | 1 | HINGE 20/26'HY FOLD RH |
| 636153 | 1 | HINGE 20/26' HY FOLD LH |
| 636201 | 1 | TRANSPORT F.SB HYDRAULIC BOOM |



SYNTAL



CERAMIC



D1000



BOOM-NOZZLES 110° FLAT FAN ISO
D1000-HIN, 01:01:16

Page

1

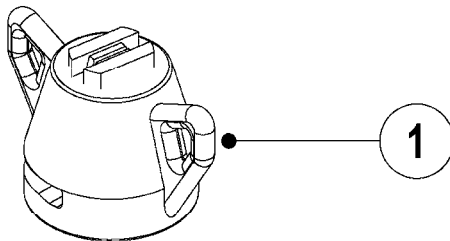
Date

04.11.2017 13:05

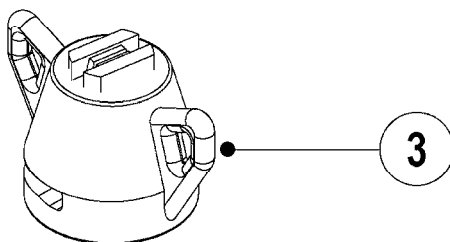
| Pos. | parts-n° | order qty | description |
|------|----------|-----------|--------------------------------|
| 1 | 371764 | 1 | NOZZLE ISO CT F-01-110 ORANGE |
| 1 | 371765 | 1 | NOZZLE ISO CT F-015-110 GREEN |
| 1 | 371766 | 1 | NOZZLE ISO CT F-02-110 YELLOW |
| 1 | 371767 | 1 | NOZZLE ISO CT F-03-110 BLUE |
| 1 | 371768 | 1 | NOZZLE ISO CT F-04-110 RED |
| 1 | 371769 | 1 | NOZZLE ISO CT F-05-110 BROWN |
| 1 | 371770 | 1 | NOZZLE ISO CT F-06-110 GREY |
| 1 | 371771 | 1 | NOZZLE ISO CT F-08-110 WHITE |
| 1 | 371950 | 1 | NOZZLE ISO CT F-025-110 LILAC |
| 1 | 371964 | 1 | NOZZLE ISO CT F-075-110 PINK |
| 1 | 371970 | 1 | NOZZLE ISO CT F-10-110 LT BLUE |
| 2 | 371706 | 1 | NOZZLE ISO F-01-110 ORANGE |
| 2 | 371707 | 1 | NOZZLE ISO F-015-110 GREEN |
| 2 | 371708 | 1 | NOZZLE ISO F-02-110 YELLOW |
| 2 | 371709 | 1 | NOZZLE ISO F-03-110 BLUE |
| 2 | 371710 | 1 | NOZZLE ISO F-04-110 RED |
| 2 | 371711 | 1 | NOZZLE ISO F-05-110 BROWN |
| 2 | 371712 | 1 | NOZZLE ISO F-06-110 GREY |
| 2 | 371713 | 1 | NOZZLE ISO F-08-110 WHITE |
| 2 | 371946 | 1 | NOZZLE ISO F-025-110 LILAC |
| 2 | 371963 | 1 | NOZZLE ISO F-075-110 PINK |
| 2 | 371966 | 1 | NOZZLE ISO F-10-110 LT BLUE |
| 3 | 371772 | 1 | NOZZLE ISO CT F-015-110C GREEN |
| 3 | 371773 | 1 | NOZZLE ISO CT F-02-110C YELLOW |
| 3 | 371774 | 1 | NOZZLE ISO CT F-03-110C BLUE |
| 3 | 371775 | 1 | NOZZLE ISO CT F-04-110C RED |
| 3 | 371776 | 1 | NOZZLE ISO CT F-05-110C BROWN |
| 3 | 371777 | 1 | NOZZLE ISO CT F-06-110C GREY |
| 4 | 371738 | 1 | NOZZLE ISO F-015-110C GREEN |
| 4 | 371739 | 1 | NOZZLE ISO F-02-110C YELLOW |
| 4 | 371740 | 1 | NOZZLE ISO F-03-110C BLUE |
| 4 | 371741 | 1 | NOZZLE ISO F-04-110C RED |
| 4 | 371742 | 1 | NOZZLE ISO F-05-110C BROWN |
| 4 | 371743 | 1 | NOZZLE ISO F-06-110C GREY |



SYNTAL



CERAMIC



D1010



BOOM-NOZZLES 110° LOWDRIFT ISO
D1010-HIN, 01:01:16

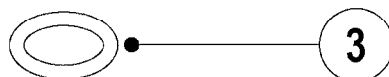
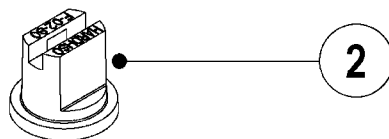
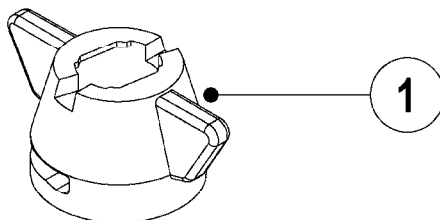
Page 1

Date 04.11.2017 13:05

| Pos. | parts-n° | order qty | description |
|------|----------|-----------|--------------------------------|
| 1 | 371837 | 1 | NOZZLE ISO CT LD-01-110 ORANGE |
| 1 | 371838 | 1 | NOZZLE ISO CT LD-015-110 GREEN |
| 1 | 371839 | 1 | NOZZLE ISO CT LD-02-110 YELLOW |
| 1 | 371840 | 1 | NOZZLE ISO CT LD-03-110 BLUE |
| 1 | 371841 | 1 | NOZZLE ISO CT LD-04-110 RED |
| 1 | 371894 | 1 | NOZZLE ISO CT LD-05-110 BROWN |
| 1 | 371958 | 1 | NOZZLE ISO CT LD-025-110 LILAC |
| 2 | 371817 | 1 | NOZZLE ISO LD-01-110 ORANGE |
| 2 | 371818 | 1 | NOZZLE ISO LD-015-110 GREEN |
| 2 | 371819 | 1 | NOZZLE ISO LD-02-110 YELLOW |
| 2 | 371820 | 1 | NOZZLE ISO LD-03-110 BLUE |
| 2 | 371821 | 1 | NOZZLE ISO LD-04-110 RED |
| 2 | 371893 | 1 | NOZZLE ISO LD-05-110 BROWN |
| 2 | 371957 | 1 | NOZZLE ISO LD-025-110 LILAC |
| 3 | 371842 | 1 | NOZZLE ISO CT LD-01-110C ORANG |
| 3 | 371843 | 1 | NOZZLE ISO CT LD-015-110C GRN |
| 3 | 371844 | 1 | NOZZLE ISO CT LD-02-110C YELLO |
| 3 | 371845 | 1 | NOZZLE ISO CT LD-03-110C BLUE |
| 3 | 371846 | 1 | NOZZLE ISO CT LD-04-110C RED |
| 3 | 371897 | 1 | NOZZLE ISO CT LD-05-110C BROWN |
| 4 | 371822 | 1 | NOZZLE ISO LD-01-110C ORANGE |
| 4 | 371823 | 1 | NOZZLE ISO LD-015-110C GREEN |
| 4 | 371824 | 1 | NOZZLE ISO LD-02-110C YELLOW |
| 4 | 371825 | 1 | NOZZLE ISO LD-03-110C BLUE |
| 4 | 371826 | 1 | NOZZLE ISO LD-04-110C RED |
| 4 | 371896 | 1 | NOZZLE ISO LD-05-110C BROWN |



SYNTAL



D1020

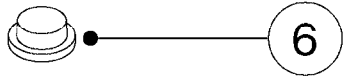


BOOM-NOZZLES 80° FLAT FAN ISO
D1020-HIN, 01:01:16

Page 1

Date 04.11.2017 13:05

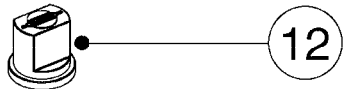
| Pos. | parts-n° | order qty | description |
|------|----------|-----------|--------------------------------|
| 1 | 334083 | 1 | SNAP-FIT NOZZLE HOLDER SS BLCK |
| 2 | 371931 | 1 | SYNTAL ISO F-01-80 TIP ORNG |
| 2 | 371932 | 1 | SYNTAL ISO F-015-80 TIP GREEN |
| 2 | 371933 | 1 | SYNTAL ISO F-02-80 TIP YELLOW |
| 2 | 371934 | 1 | SYNTAL ISO F-03-80 TIP BLUE |
| 3 | 10423503 | 1 | O-RING 9.12x3.53 NITRIL |



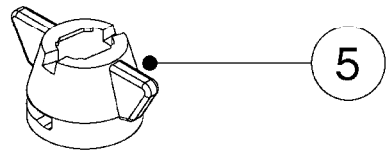
6



15



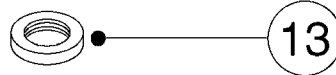
12



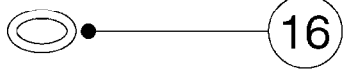
5



14



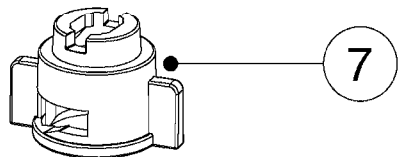
13



16



11



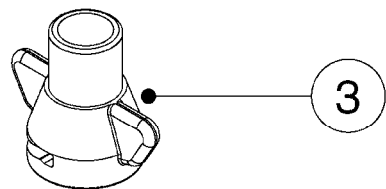
7



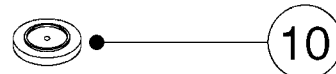
9



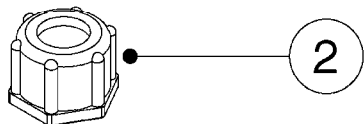
1



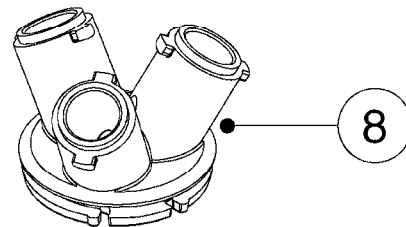
3



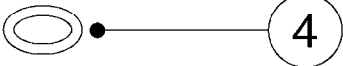
10



2



8



4

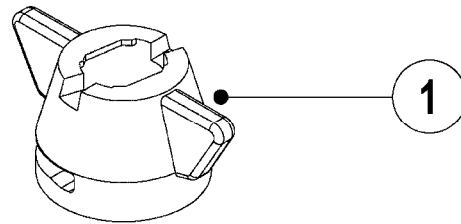
D1030



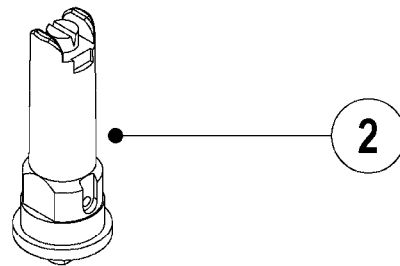
BOOM-NOZZLE CAPS AND FILTERS
D1030-HIN, 01:01:16

Page 1
Date 04.11.2017 13:05

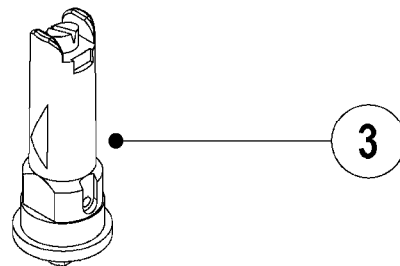
| Pos. | parts-n° | order qty | description |
|------|----------|-----------|---|
| 1 | 242222 | 1 | GASKET 19.0 X 10.0 X 3.3 EPDM |
| 2 | 320187 | 1 | FITT.DK CAP 3/8" BSP BLACK |
| 2 | 321517 | 1 | FITT.DK CAP 3/8" BSP WHITE ALWAYS USE WITH ISO AND INJET NOZZLES |
| 2 | 321797 | 1 | FITT.DK CAP 3/8' BSP BLUE |
| 2 | 321801 | 1 | FITT.DK CAP 3/8' BSP GREEN |
| 2 | 321812 | 1 | FITT.DK CAP 3/8' BSP RED |
| 2 | 321823 | 1 | FITT.DK CAP 3/8' BSP ORANGE |
| 2 | 321834 | 1 | FITT.DK CAP 3/8' BSP YELLOW |
| 3 | 322068 | 1 | SNAP-FIT ADAPTER THREAD. HARDI |
| 4 | 330013 | 1 | O-RING D15/D10X2.5 F.3/8"NUT |
| 5 | 334083 | 1 | SNAP-FIT NOZZLE HOLDER SS BLCK |
| 6 | 334102 | 1 | BLANK F.NOZZLE |
| 7 | 334862 | 1 | NOZZLE CAP TJBLACK F.ISO/INJET |
| 8 | 334926 | 1 | SNAP-FIT TURN PLATE F TRIPLET |
| 9 | 370016 | 1 | NOZZLE CONE JET 1553-08 |
| 9 | 370027 | 1 | NOZZLE CONE JET 1553-10 |
| 9 | 370031 | 1 | NOZZLE CONE JET 1553-12 |
| 9 | 370042 | 1 | NOZZLE CONE JET 1553-14 |
| 9 | 370053 | 1 | NOZZLE CONE JET 1553-16 |
| 9 | 370064 | 1 | NOZZLE CONE JET 1553-18 |
| 9 | 370075 | 1 | NOZZLE CONE JET 1553-20 |
| 9 | 370086 | 1 | NOZZLE CONE JET 1553-22 |
| 9 | 370097 | 1 | NOZZLE CONE JET 1553-24 |
| 9 | 370101 | 1 | NOZZLE CONE JET 1553-30 |
| 9 | 370112 | 1 | NOZZLE CONE JET 1553-35 |
| 9 | 370123 | 1 | NOZZLE CONE JET 1553-40 |
| 10 | 370134 | 1 | NOZZLE SWIRL 1554-GREY |
| 10 | 370145 | 1 | NOZZLE SWIRL 1554-BLACK |
| 10 | 370156 | 1 | NOZZLE SWIRL 1554-BLUE |
| 10 | 370167 | 1 | NOZZLE SWIRL 1554-1.3 WHITE |
| 11 | 371551 | 1 | NOZZ LRG DROP FLAT SPRAY SINGL |
| 12 | 372140 | 1 | HARDI ISO BLIND CAP |
| 13 | 390639 | 1 | O-RING F.NOZZLE FILTER |
| 14 | 614366 | 1 | FILTER 50 MESH F.NOZZLE BLUE |
| 14 | 614367 | 1 | FILTER 80 MESH F.NOZZLE RED |
| 14 | 614368 | 1 | FILTER 100 MESH F.NOZZLE YEL. |
| 15 | 725042 | 1 | SCREEN 80 MESH W.GASKET, RED |
| 15 | 725043 | 1 | SCREEN 50 MESH W.GASKET,BLUE |
| 15 | 725044 | 1 | SCREEN 100 MESH W.GASKET,YELLO |
| 16 | 10423503 | 1 | O-RING 9.12x3.53 NITRIL |



INJET Nozzle SYNTAL



B-JET Nozzle SYNTAL



D1040



BOOM-NOZZLES INJET
D1040-HIN, 01:01:16

Page 1

Date 04.11.2017 13:05

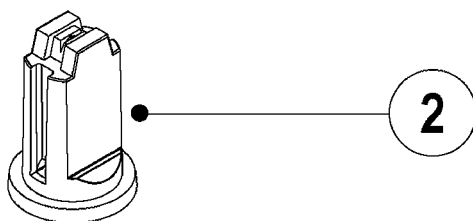
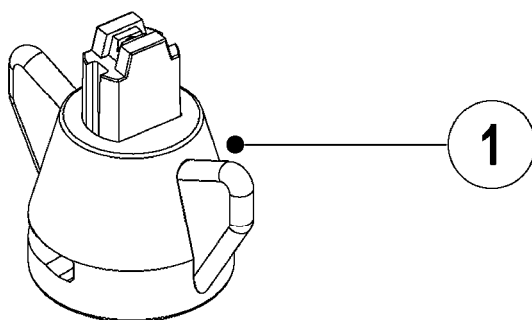
| Pos. | parts-n° | order qty | description |
|------|----------|-----------|--------------------------------|
| 1 | 334083 | 1 | SNAP-FIT NOZZLE HOLDER SS BLCK |
| 2 | 371872 | 1 | NOZZLE INJET 015 GREEN SINGLE |
| 2 | 371873 | 1 | NOZZLE INJET 02 YELLOW SINGLE |
| 2 | 371874 | 1 | NOZZLE INJET 025 LILAC SINGLE |
| 2 | 371875 | 1 | NOZZLE INJET 03 BLUE SINGLE |
| 2 | 371876 | 1 | NOZZLE INJET 04 RED SINGLE |
| 2 | 371926 | 1 | NOZZLE INJET 01 ORANGE SINGLE |
| 2 | 371927 | 1 | NOZZLE INJET 05 BROWN SINGLE |
| 2 | 371928 | 1 | NOZZLE INJET 06 GREY SINGLE |
| 2 | 371929 | 1 | NOZZLE INJET 08 WHITE SINGLE |
| 3 | 371870 | 1 | NOZZLE B-JET 03 BLUE |
| 3 | 371871 | 1 | NOZZLE B-JET 04 RED |
| 3 | 371877 | 1 | NOZZLE B-JET 025 LILAC |
| 3 | 371930 | 1 | NOZZLE B-JET 02 YELLOW |



BOOM-NOZZLES MINIDRIFT
D1050-HIN, 01:01:16

Page 0

Date 04.11.2017 13:05



D1050

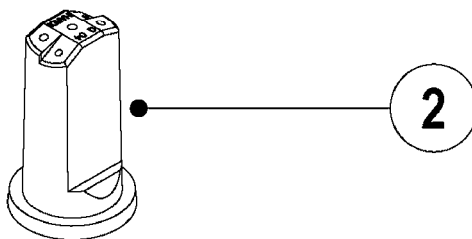
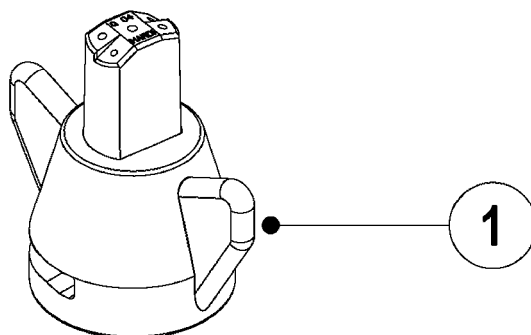


BOOM-NOZZLES MINIDRIFT
D1050-HIN, 01:01:16

Page 1

Date 04.11.2017 13:05

| Pos. | parts-n° | order qty | description |
|------|----------|-----------|--------------------------------|
| 1 | 372121 | 1 | NOZZLE ISO CT MD-015-110 GREEN |
| 1 | 372122 | 1 | NOZZLE ISO CT MD-02-110 YELLOW |
| 1 | 372123 | 1 | NOZZLE ISO CT MD-025-110 LILAC |
| 1 | 372124 | 1 | NOZZLE ISO CT MD-03-110 BLUE |
| 1 | 372125 | 1 | NOZZLE ISO CT MD-04-110 RED |
| 1 | 372126 | 1 | NOZZLE ISO CT MD-05-110 BROWN |
| 2 | 372111 | 1 | NOZZLE ISO MD-015-110 GREEN |
| 2 | 372112 | 1 | NOZZLE ISO MD-02-110 YELLOW |
| 2 | 372113 | 1 | NOZZLE ISO MD-025-110 LILAC |
| 2 | 372114 | 1 | NOZZLE ISO MD-03-110 BLUE |
| 2 | 372115 | 1 | NOZZLE ISO MD-04-110 RED |
| 2 | 372116 | 1 | NOZZLE ISO MD-05-110 BROWN |



D1060

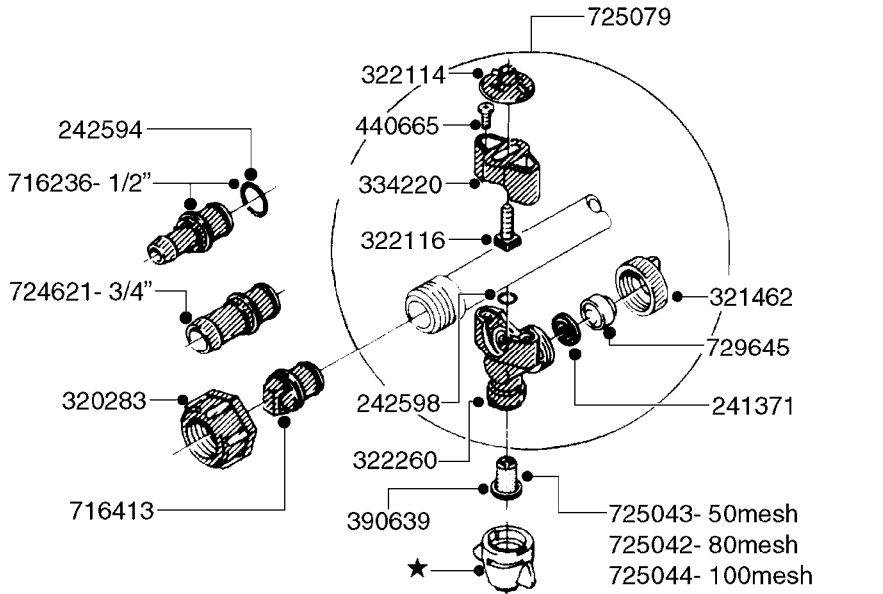


BOOM-NOZZLES QUINTASTREAM
D1060-HIN, 01:01:16

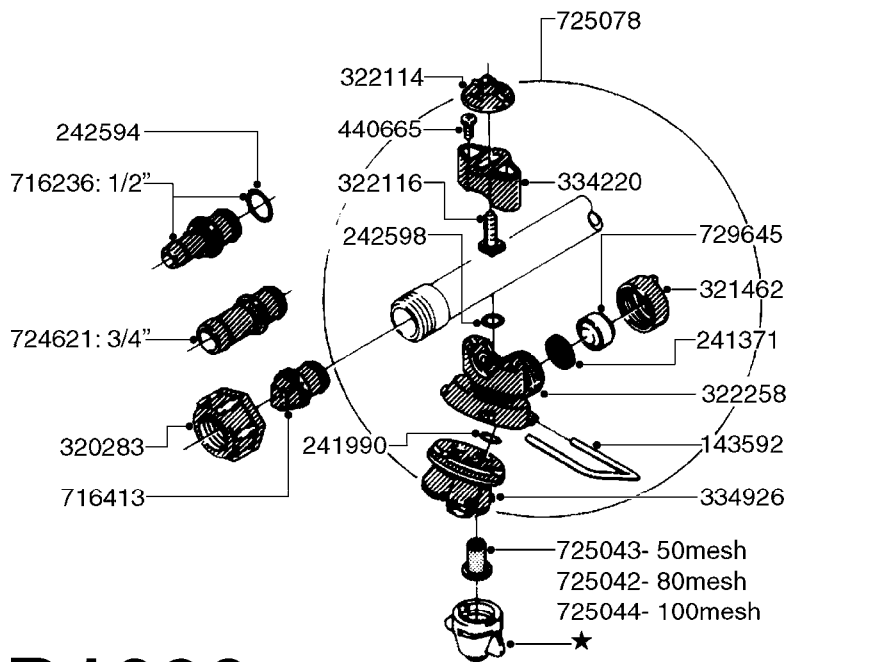
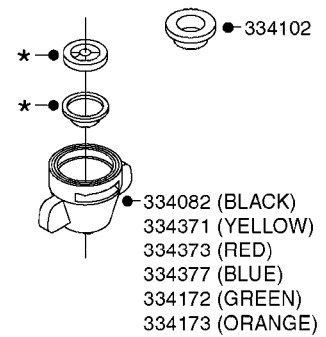
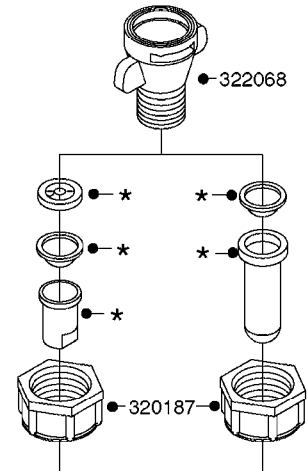
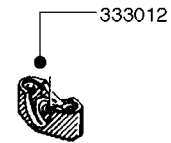
Page 1

Date 04.11.2017 13:05

| Pos. | parts-n° | order qty | description |
|------|----------|-----------|-------------------------------|
| 1 | 372011 | 1 | NOZZLE ISO QS-015-5H GREEN |
| 1 | 372012 | 1 | NOZZLE ISO QS-02-5H YELLOW |
| 1 | 372013 | 1 | NOZZLE ISO QS-03-5H BLUE |
| 1 | 372014 | 1 | NOZZLE ISO QS-04-5H RED |
| 1 | 372015 | 1 | NOZZLE ISO QS-05-5H BROWN |
| 1 | 372016 | 1 | NOZZLE ISO QS-06-5H GREY |
| 1 | 372017 | 1 | NOZZLE ISO QS-08-5H WHITE |
| 1 | 372018 | 1 | NOZZLE ISO QS-10-5H LT. BLUE |
| 1 | 372019 | 1 | NOZZLE ISO QS-15-5H LT. GREEN |
| 2 | 372002 | 1 | ISO QNTSTRM 015 S-GREEN |
| 2 | 372003 | 1 | ISO QNTSTRM 02 S-YELLOW |
| 2 | 372004 | 1 | ISO QNTSTRM 03 S-BLUE |
| 2 | 372005 | 1 | ISO QNTSTRM 04 S-RED |
| 2 | 372006 | 1 | ISO QNTSTRM 05 S-BROWN |
| 2 | 372007 | 1 | ISO QNTSTRM 06 S-GREY |
| 2 | 372008 | 1 | ISO QNTSTRM 08 S-WHITE |
| 2 | 372009 | 1 | ISO QNTSTRM 10 S-LT.BLU |
| 2 | 372010 | 1 | ISO QNTSTRM 15 S-LT.GRN |



SINGLE NOZZLE BODY



TRIPLET NOZZLE BODY

D1090

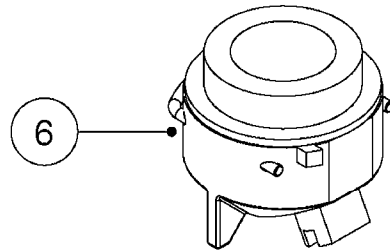
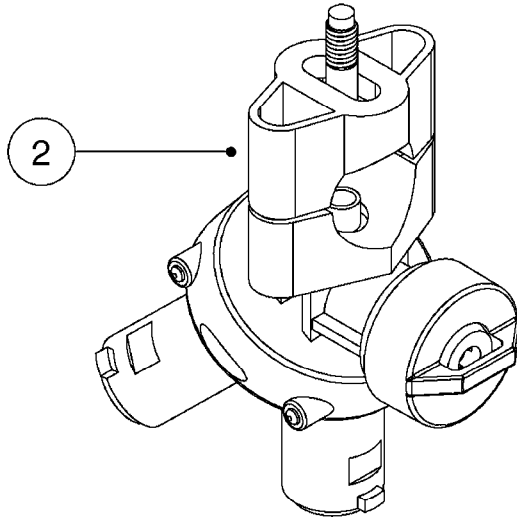
*=REFER TO HARDI NOZZLE CATALOG



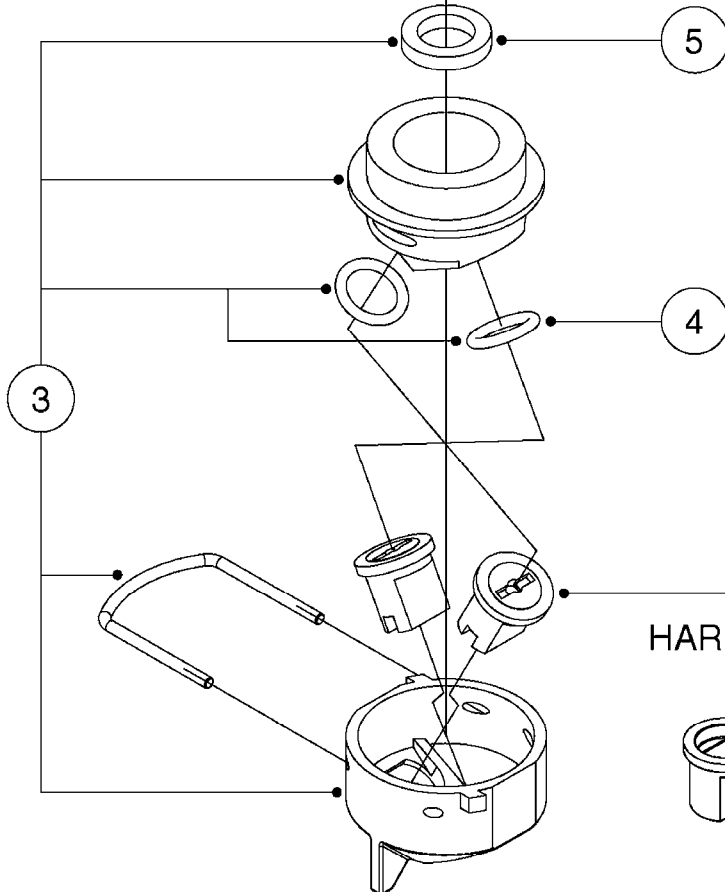
NOZZLE BODIES-SNAP FIT
D1090-HIN, 01:01:16

Page 1
Date 04.11.2017 13:05

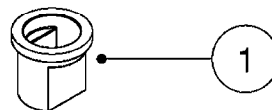
| parts-n° | order qty | description |
|----------|-----------|--------------------------------|
| 143592 | 1 | LOCK CLAMP FOR TRIPLET |
| 241371 | 1 | DIAPHRAGM, NO-DRIP alt 241371 |
| 241990 | 1 | O-RING D9.3 X 2.4 VITON |
| 242594 | 1 | O-RING D14 X 1.78 SCH.70-EPDM |
| 242598 | 1 | O-RING D7.0 X 2.5 NITRIL |
| 320187 | 1 | FITT.DK CAP 3/8" BSP BLACK |
| 320283 | 1 | FITT.DK NUT 3/4"BSP |
| 321462 | 1 | CAP F.NO-DRIP ASSY. |
| 322068 | 1 | SNAP-FIT ADAPTER THREAD. HARDI |
| 322114 | 1 | NUT PLASTIC F.NOZZ.H |
| 322116 | 1 | BOLT PLASTIC F.NOZZ.H. |
| 322258 | 1 | HOUSING F.TRIPLET |
| 322260 | 1 | NOZZLE HOLDER LOWER PART |
| 333012 | 1 | NOZZLE HOLD. UPPER PART |
| 334082 | 1 | SNAP-FIT NOZZ.HOLD.CONE BLACK |
| 334102 | 1 | BLANK F.NOZZLE |
| 334172 | 1 | SNAP-FIT NOZZ.HOLD.CONE GREEN |
| 334173 | 1 | SNAP-FIT NOZZ.HOLD.CONE ORANGE |
| 334220 | 1 | YOKE, UPPER NOZZLE BODY |
| 334371 | 1 | SNAP-FIT NOZZLE HOLDER YELLOW |
| 334373 | 1 | SNAP-FIT NOZZLE HOLDER RED |
| 334377 | 1 | SNAP-FIT NOZZLE HOLDER BLUE |
| 334926 | 1 | SNAP-FIT TURN PLATE F TRIPLET |
| 390639 | 1 | O-RING F.NOZZLE FILTER |
| 440665 | 1 | SCREW M4.2X16 STAINLESS |
| 716236 | 1 | FITT.DK HB 1/2" ASSY. F. 3/4" |
| 716413 | 1 | FITT.DK PLUG ASSY. F.NOZ TUBE |
| 724621 | 1 | FITT.DK HB 3/4"ASSY F.3/4" NUT |
| 725042 | 1 | SCREEN 80 MESH W.GASKET, RED |
| 725043 | 1 | SCREEN 50 MESH W.GASKET,BLUE |
| 725044 | 1 | SCREEN 100 MESH W.GASKET,YELLO |
| 725078 | 1 | SNAP-FIT TRIPLET W/O NOZZ HOLD |
| 725079 | 1 | NOZZLE ASSY.SING.SNAP-FIT GREN |
| 729645 | 1 | NON-DRIP SPRING ASSY.GREEN 10 |



COMPLETE ASSEMBLY
WITH NOZZLES



REFER TO
HARDI® NOZZLE CATALOG



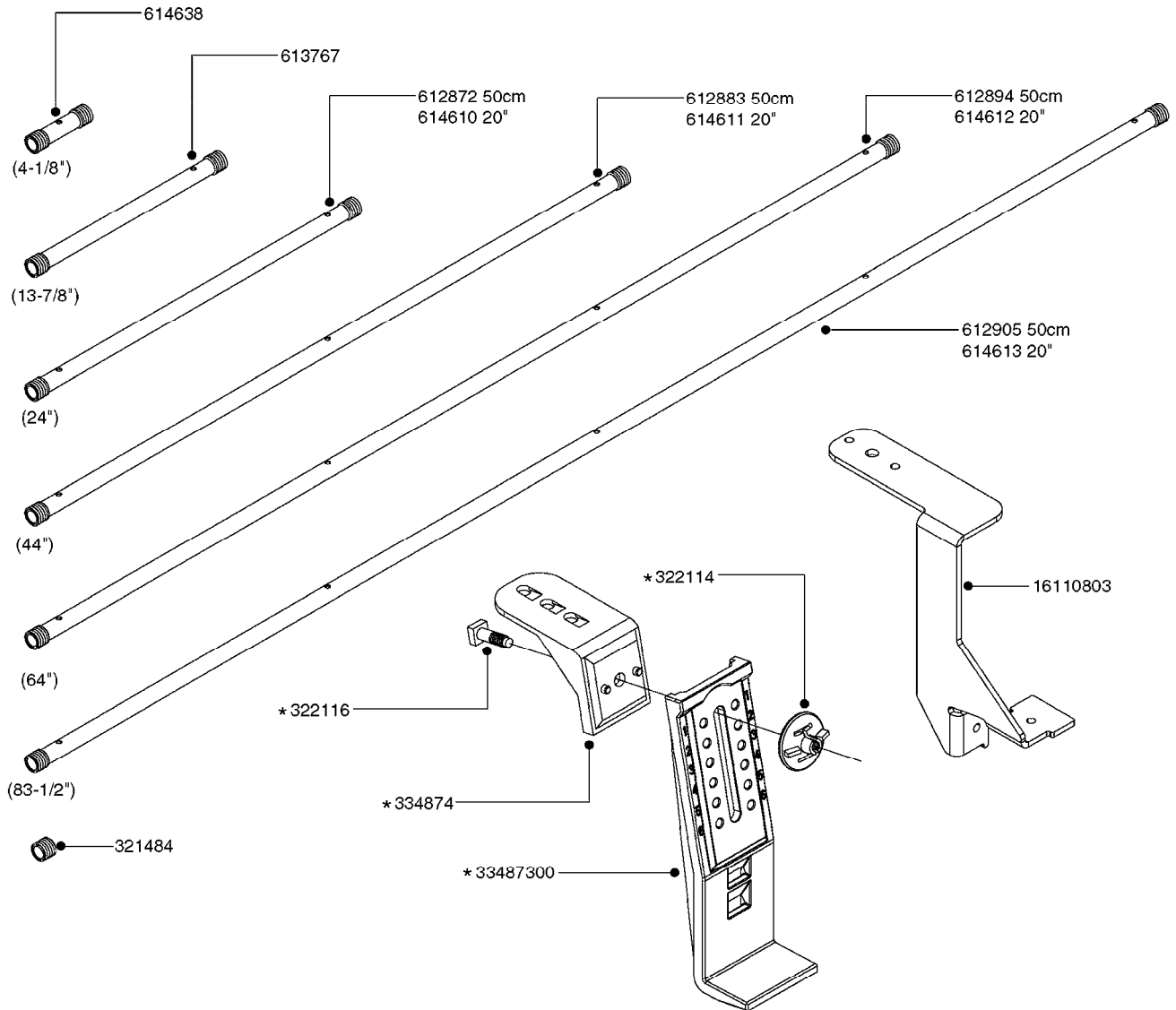
D1100



DOUBLE NOZZLE HOLDER-SNAP FIT
D1100-HIN, 01:01:16

Page 1
Date 04.11.2017 13:05

| Pos. | parts-n° | order qty | description |
|------|----------|-----------|--------------------------------|
| 1 | 372140 | 1 | HARDI ISO BLIND CAP |
| 2 | 725078 | 1 | SNAP-FIT TRIPLET W/O NOZZ HOLD |
| 3 | 28032503 | 1 | DOUBLE NOZZLE HOLDER LD ISO |
| 4 | 28040103 | 1 | O-RING F.DOUBLE NOZZLE HOLDER |
| 5 | 28089103 | 1 | GASKET F.DOUBLE NOZZLE HOLDER |
| 6 | 70056803 | 1 | DOUBLE NOZZLE CAP ORANGE LD 01 |
| 6 | 70056903 | 1 | DOUBLE NOZZLE CAP GREEN LD 015 |
| 6 | 70057003 | 1 | DOUBLE NOZZLE CAP YELLOW LD 02 |
| 6 | 70057103 | 1 | DOUBLE NOZZLE CAP LILAC LD 025 |
| 6 | 70057203 | 1 | DOUBLE NOZZLE CAP BLUE LD 03 |
| 6 | 70057303 | 1 | DOUBLE NOZZLE CAP RED LD 04 |
| 6 | 70057403 | 1 | DOUBLE NOZZLE CAP BROWN LD 05 |



*741685 - BAG OF 5 COMPLETE
*741688 - BAG OF 10 COMPLETE

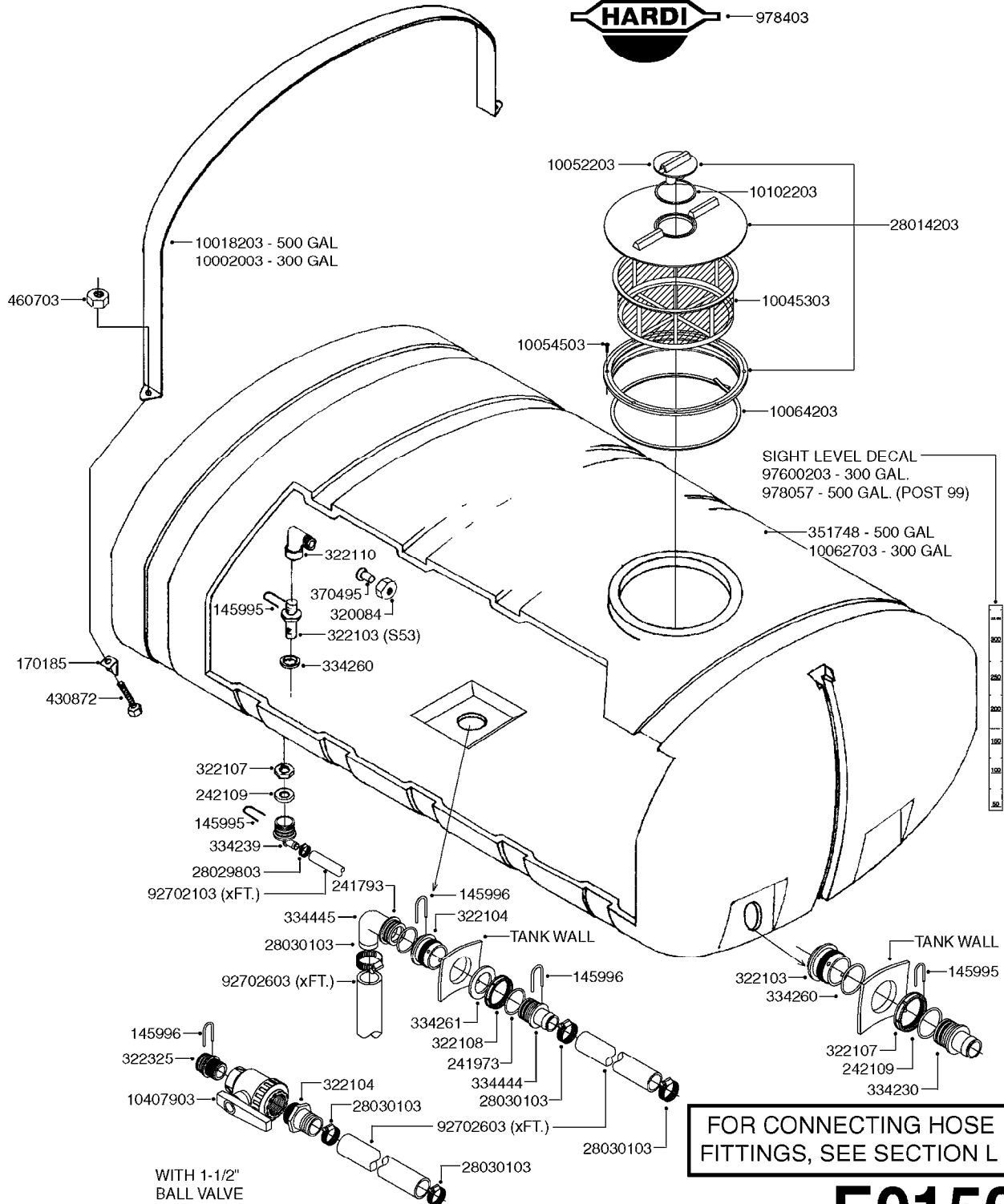
| | | |
|--|--------------------------------|---------------------------|
| | STAINLESS CLAMPS AND INSULATOR | |
| | 100X60MM - 741778 BAG OF 10 | |
| | 80X60MM - 741741 BAG OF 10 | 80X60MM - 741738 BAG OF 5 |
| | 50X50MM - 741737 BAG OF 10 | 50X50MM - 741734 BAG OF 5 |
| | 50X30MM - 741733 BAG OF 10 | 50X30MM - 741730 BAG OF 5 |

| | |
|---|---|
| BLANK TUBES: 614647 - 23-3/4" 614648 - 43-1/4" 614649 - 63" 614650 - 82-1/2" | DIMPLED TUBES: 615468 - 24-1/2" 615471 - 64" 615469 - 44" 615472 - 74-1/4" 615470 - 54-1/8" 615473 - 92" |
|---|---|

D1110



| parts-n° | order qty | description |
|----------|-----------|--------------------------------|
| 321484 | 1 | BUSHING THREADED F.NOZZ.TUBE |
| 322114 | 1 | NUT PLASTIC F.NOZZ.H |
| 322116 | 1 | BOLT PLASTIC F.NOZZ.H. |
| 334874 | 1 | NOZZLE HOLDER - TOP HALF |
| 612872 | 1 | NOZZLE TUBE 2 HOLE L-24"/50CM |
| 612883 | 1 | NOZZLE TUBE 3 HOLE L-44"/50CM |
| 612894 | 1 | NOZZLE TUBE 4 HOLE L-64"/50CM |
| 612905 | 1 | NOZZLE TUBE 5 HOLE L-83.5"/50C |
| 613767 | 1 | NOZZLE TUBE 1 HOLE L-13.875" |
| 614610 | 1 | NOZZLE TUBE 2 HOLE L-24"/SP20" |
| 614611 | 1 | NOZZLE TUBE 3 HOLE L-44"/SP20" |
| 614612 | 1 | NOZZLE TUBE 4 HOLE L-64"/SP20" |
| 614613 | 1 | NOZZLE TUBE 5 HOLE L-83.5"/20" |
| 614638 | 1 | NOZZLE TUBE 1 HOLE L-4.125" |
| 614647 | 1 | NOZZLE TUBE L=600mm NO HOLES |
| 614648 | 1 | NOZZLE TUBE L=1100mm NO HOLES |
| 614649 | 1 | NOZZLE TUBE L=1600mm NO HOLES |
| 614650 | 1 | NOZZLE TUBE L=2100mm NO HOLES |
| 615468 | 1 | NOZZLE TUBE MARKED 1" 24" |
| 615469 | 1 | NOZZLE TUBE MARKED 1" 44" |
| 615470 | 1 | NOZZLE TUBE MARKED 1" 54" |
| 615471 | 1 | NOZZLE TUBE MARKED 1" 64" |
| 615472 | 1 | NOZZLE TUBE MARKED 1" 74" |
| 615473 | 1 | NOZZLE TUBE MARKED 1" 92" |
| 741685 | 1 | NOZZLE HOLDER COMPLETE/5 PCS |
| 741688 | 1 | NOZZLE HOLDER COMPLETE/10PCS |
| 741730 | 1 | CLAMP,NZLE BKT BAG OF 5 50X30 |
| 741733 | 1 | CLAMP,NZLE BKT BAG OF 10 50X30 |
| 741734 | 1 | CLAMP,NZLE BKT BAG OF 5 50X50 |
| 741737 | 1 | CLAMP,NZLE BKT BAG OF 10 50X50 |
| 741738 | 1 | CLAMP,NZLE BKT BAG OF 5 80X60 |
| 741741 | 1 | CLAMP,NZLE BKT BAG OF 10 80x60 |
| 741778 | 1 | CLAMP,NZL BKT BAG OF 10 100x60 |
| 16110803 | 1 | NOZZLE BRACKET VAR SPACINGS |
| 33487300 | 1 | NOZZLE HOLDER - BOTTOM HALF |



FOR CONNECTING HOSE FITTINGS, SEE SECTION L

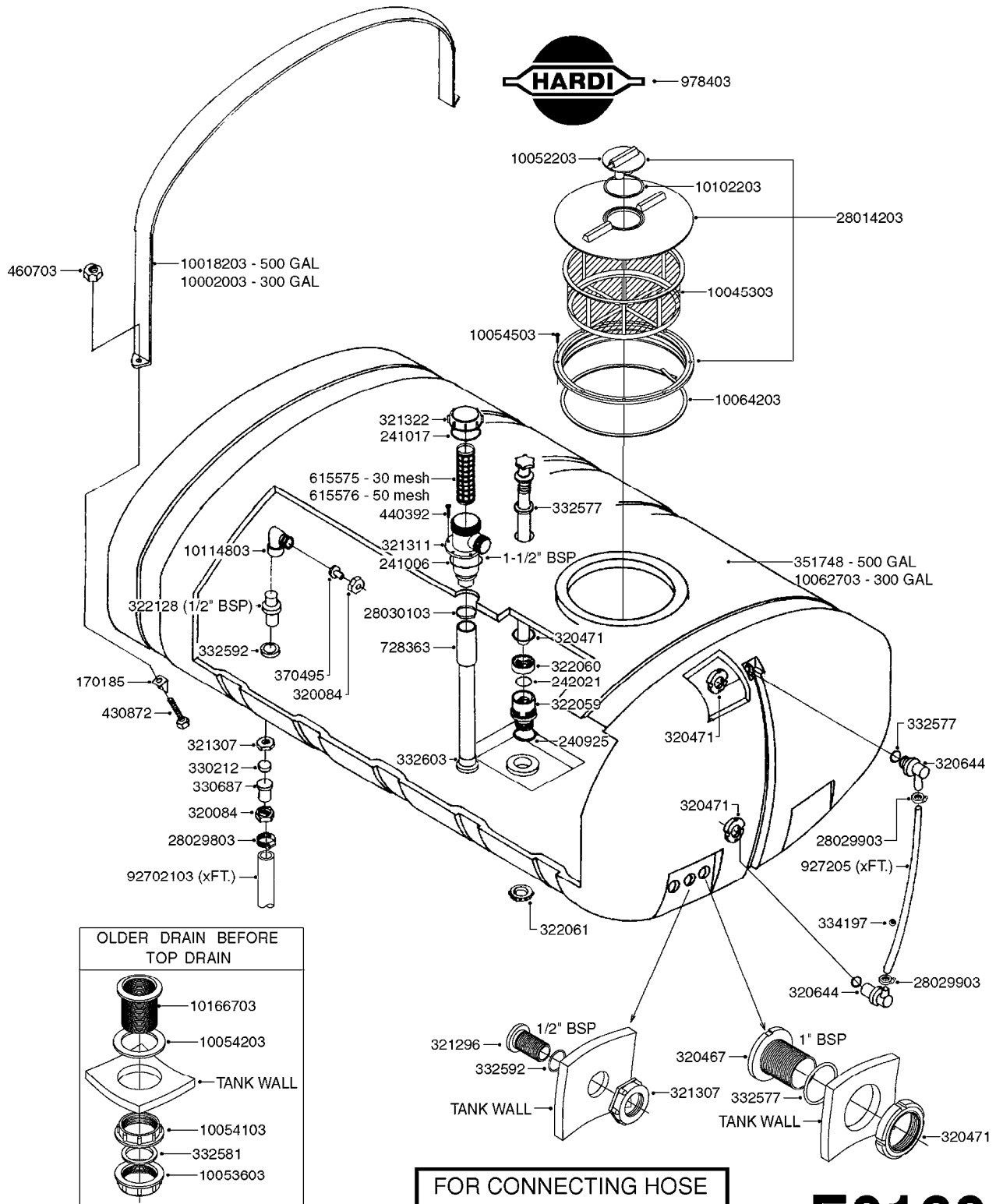
E0150

WITH 1-1/2" BALL VALVE



TANK - ESC 300/500
E0150-HIN, 01:01:16

| parts-n° | order qty | description |
|----------|-----------|-----------------------------------|
| 145995 | 1 | FITT.DK S-53 FORK |
| 145996 | 1 | FITT.DK S-67 FORK |
| 170185 | 1 | ANGLE BRACKET F. TANKSTRAP |
| 241973 | 1 | O-RING Ø3 X 44,2 70 SHORES NITRIL |
| 242109 | 1 | O-RING D32.2x3.0 |
| 320084 | 1 | FITT.DK NUT 1/2" BSP |
| 322103 | 1 | FITT.DK S-53 BULKHEAD |
| 322104 | 1 | FITT.DK S-67 BULKHEAD |
| 322107 | 1 | FITT.DK S-53 BULKHEAD NUT |
| 322108 | 1 | FITT.DK S-67 BULKHEAD NUT |
| 322110 | 1 | FITT.DK S-53 ELB. 1/2" BSP |
| 322325 | 1 | FITT.DK S-67 X 1-1/2"BSP LONG |
| 334230 | 1 | FITT.DK S-53 STR.1" |
| 334239 | 1 | FITT.DK S-53 ELB.1/2" |
| 334260 | 1 | GASKET F. S-53 BULKHEAD |
| 334261 | 1 | GASKET F. S-67 BULKHEAD |
| 334444 | 1 | HOSE TAIL S67 1"1/2 STRAIGHT |
| 334445 | 1 | HOSE TAIL 90° S67 1"1/2 |
| 351748 | 1 | TANK RAW 500 GAL |
| 370495 | 1 | NOZZLE INJECTOR 5066-3.0 |
| 430872 | 1 | BOLT HEX 8.8 DEL M12X100 FT |
| 460703 | 1 | NUT HEX M12X1.75 LOCK DIN985A2 SS |
| 978057 | 1 | DECAL S/G TANK 500GAL-99 |
| 978403 | 1 | DECAL COMPANY 280 X 450 |
| 10002003 | 1 | STRAP F. TR TANK 300 GAL. |
| 10018203 | 1 | TANK STRAP 500 GA.PRE'03 (92") |
| 10045303 | 1 | FILTER BASKET 16" |
| 10052203 | 1 | LID VENT ASSY |
| 10054503 | 1 | SCREW 3/4" SELF TAPPING |
| 10062703 | 1 | TANK RAW 300 GAL.84 MODEL |
| 10064203 | 1 | SET SEALING SPONGE 1 Ft BULK |
| 10102203 | 1 | GASKET F.16" LID BREATHER |
| 10407903 | 1 | BALL VALVE 1-1/2" MCPHEE |
| 28014203 | 1 | LID ASSY. (3-PC.) 16" ARAG |
| 28029803 | 1 | CLAMP HOSE GEAR P1/2" 6708 |
| 28030103 | 1 | CLAMP HOSE GEAR P5/4-S1.5"6724 |
| 92702103 | 1 | HOSE R X1/2" X300PSI WP X0012" |
| 92702603 | 1 | HOSE PVC SUCT GRAY 1-1/2" |
| 97600203 | 1 | DECAL S/G TANK 300 GAL-99 |



FOR CONNECTING HOSE FITTINGS, SEE SECTION L

E0160

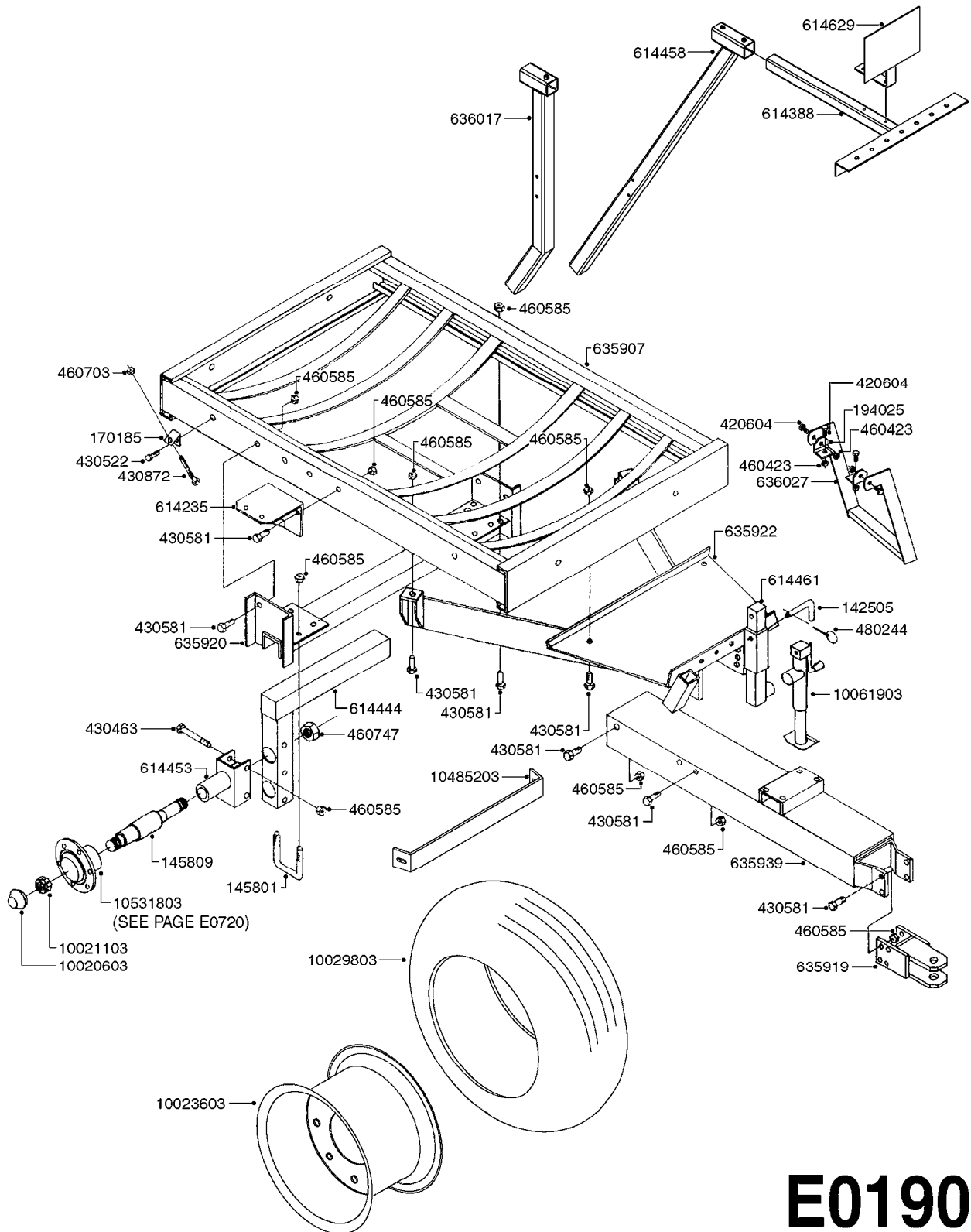


TANK - TL/TR 300/500 W/BK 180
E0160-HIN, 01:01:16

Page 1

Date 04.11.2017 13:05

| parts-n° | order qty | description |
|----------|-----------|-----------------------------------|
| 170185 | 1 | ANGLE BRACKET F. TANKSTRAP |
| 240925 | 1 | O-RING D49.5X3 NITRIL |
| 241006 | 1 | O-RING D79,2X5,7 NITRIL |
| 241017 | 1 | O-RING D74,5X3 NITRIL |
| 242021 | 1 | O-RING D.37,69x3,53 VITON |
| 320084 | 1 | FITT.DK NUT 1/2" BSP |
| 320467 | 1 | FITT.DK BULKHEAD 1"BSP SINGLE |
| 320471 | 1 | FITT.DK NUT 1" BSP JAMB |
| 320644 | 1 | FITT.DK ELB.3/4"HB X 1" BSP |
| 321296 | 1 | FITT.DK BULKHEAD 1/2" BSP SING |
| 321307 | 1 | FITT.DK NUT 1/2" BSP JAMB |
| 321311 | 1 | FILTER BODY S 80 X 4 |
| 321322 | 1 | SCREW CAP F. S80 X 4 |
| 322059 | 1 | BULKHEAD FOR BOTTOM VALVE |
| 322060 | 1 | STOPPER FOR BOTTOM VALVE |
| 322061 | 1 | NUT FOR BOTTOM VALVE |
| 322128 | 1 | NIPPLE 1/2" |
| 330212 | 1 | O-RING D19/D14X2.4 F.1/2"NUT |
| 330687 | 1 | FITT.DK HB 1/2" F. 1/2" NUT |
| 332577 | 1 | O-RING D38/D30X4 F.1" PUR. |
| 332581 | 1 | GASKET F. 1-1/2" BSP CAPNUT. |
| 332592 | 1 | O-RING D26/D20X3 |
| 332603 | 1 | CAP F. SUCTION TUBE |
| 334197 | 1 | BALL F. LIQUID LEV. INDICATOR |
| 351748 | 1 | TANK RAW 500 GAL |
| 370495 | 1 | NOZZLE INJECTOR 5066-3.0 |
| 430872 | 1 | BOLT HEX 8.8 DEL M12X100 FT |
| 440392 | 1 | SCREW 6.3 X 25.0 DIN7981C TORX |
| 460703 | 1 | NUT HEX M12X1.75 LOCK DIN985A2 SS |
| 615575 | 1 | FILTER F.TOP SUCT.30 MESH GRN. |
| 615576 | 1 | FILTER F.TOP SUCT.50 MESH BLUE |
| 728363 | 1 | SUCTION TUBE ASSY.L=72" |
| 927205 | 1 | HOSE R X CLEAR X 3/4 X 0012" |
| 978403 | 1 | DECAL COMPANY 280 X 450 |
| 10002003 | 1 | STRAP F. TR TANK 300 GAL. |
| 10018203 | 1 | TANK STRAP 500 GA.PRE'03 (92") |
| 10045303 | 1 | FILTER BASKET 16" |
| 10052203 | 1 | LID VENT ASSY |
| 10053603 | 1 | FITT. CAPNUT 2"BSP 5601 |
| 10054103 | 1 | FITT.PO.NUT 2" BSP JAMB MCPHEE |
| 10054203 | 1 | GASKET F. 2" FITTINGS RUBBER |
| 10054503 | 1 | SCREW 3/4" SELF TAPPING |
| 10062703 | 1 | TANK RAW 300 GAL.84 MODEL |
| 10064203 | 1 | SET SEALING SPONGE 1 Ft BULK |
| 10102203 | 1 | GASKET F.16" LID BREATHER |
| 10114803 | 1 | FITT.PO.SE 0.50X0.50 SE1200 |
| 10166703 | 1 | FITT.PO.BULKHEAD 2" BSP |
| 28014203 | 1 | LID ASSY. (3-PC.) 16" ARAG |
| 28029803 | 1 | CLAMP HOSE GEAR P1/2" 6708 |
| 28029903 | 1 | CLAMP HOSE GEAR P3/4"-S1" 6712 |
| 28030103 | 1 | CLAMP HOSE GEAR P5/4-S1.5"6724 |
| 92702103 | 1 | HOSE R X1/2" X300PSI WP X0012" |



E0190

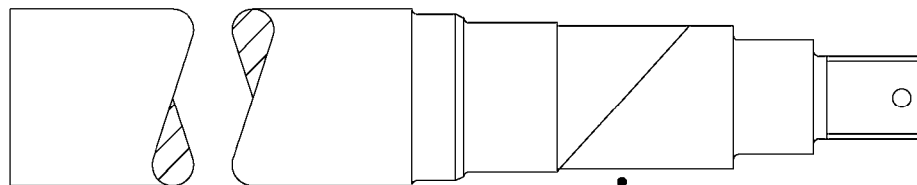


FRAME TL/ESC/TR 300 SA
E0190-HIN, 01:01:16

Page 1

Date 04.11.2017 13:05

| parts-n° | order qty | description |
|----------|-----------|-----------------------------------|
| 10020603 | 1 | DUST CAP DC13 |
| 10021103 | 1 | NUT HEX NF 7/8 WB32 |
| 10023603 | 1 | RIM 15 X 8 X 6 BOLT |
| 10029803 | 1 | TIRE & TUBE 11L15 8 PLY |
| 10061903 | 1 | JACK F300/500/575 5000LB |
| 10485203 | 1 | BRACE A FRAME TR500 FLUSH |
| 10531803 | 1 | HUB ASSY.COMP.F.1-3/4" SPINDLE |
| 142505 | 1 | LOCKING PAWL 12 X 70MM |
| 145801 | 1 | BOLT U |
| 145809 | 1 | SPINDLE 300 SINGLE |
| 170185 | 1 | ANGLE BRACKET F. TANKSTRAP |
| 194025 | 1 | BRACKET F.STEP HC650 |
| 420604 | 1 | BOLT HEX 8.8 DEL M10X25 FT DIN933 |
| 430463 | 1 | BOLT HEX 8.8 DEL M16X110 |
| 430522 | 1 | BOLT HEX 8.8 DEL M12X25 FT |
| 430581 | 1 | BOLT HEX 8.8 DEL M16X40 FT |
| 430872 | 1 | BOLT HEX 8.8 DEL M12X100 FT |
| 460423 | 1 | NUT HEX M10X1.50 LOCK DIN985A2 SS |
| 460585 | 1 | LOCKING NUT M16 DIN985 A2 SS |
| 460703 | 1 | NUT HEX M12X1.75 LOCK DIN985A2 SS |
| 460747 | 1 | NUT HEX M24 LOCK |
| 480244 | 1 | PIN SNAP D4.5 |
| 614235 | 1 | BRACKET EAR F SIDE BRACES (NLA |
| 614388 | 1 | BRACKET FOR OPER. UNIT |
| 614444 | 1 | AXLE INSERT 300 SINGLE |
| 614453 | 1 | SPINDLE HOLDER 300 SINGLE |
| 614458 | 1 | CONTROL POST BK TR/TL300/500 |
| 614461 | 1 | JACK STAND ATTACHMENT |
| 614629 | 1 | BRACKET F. DECAL TL/TR 300/500 |
| 635907 | 1 | FRAME F. TL/TR/ESC 300 |
| 635919 | 1 | TONGUE CLEVIS TR300/500 |
| 635920 | 1 | U-PROFILE 300G SINGLE AXLE |
| 635922 | 1 | PLATFORM & A-FRAME TR300/500 |
| 635939 | 1 | TONGUE FOR TR/TL300/500 SHORT |
| 636017 | 1 | POST FOR EC CONTROL MOUNT |
| 636027 | 1 | STEP F.PLATFORM HC650 |

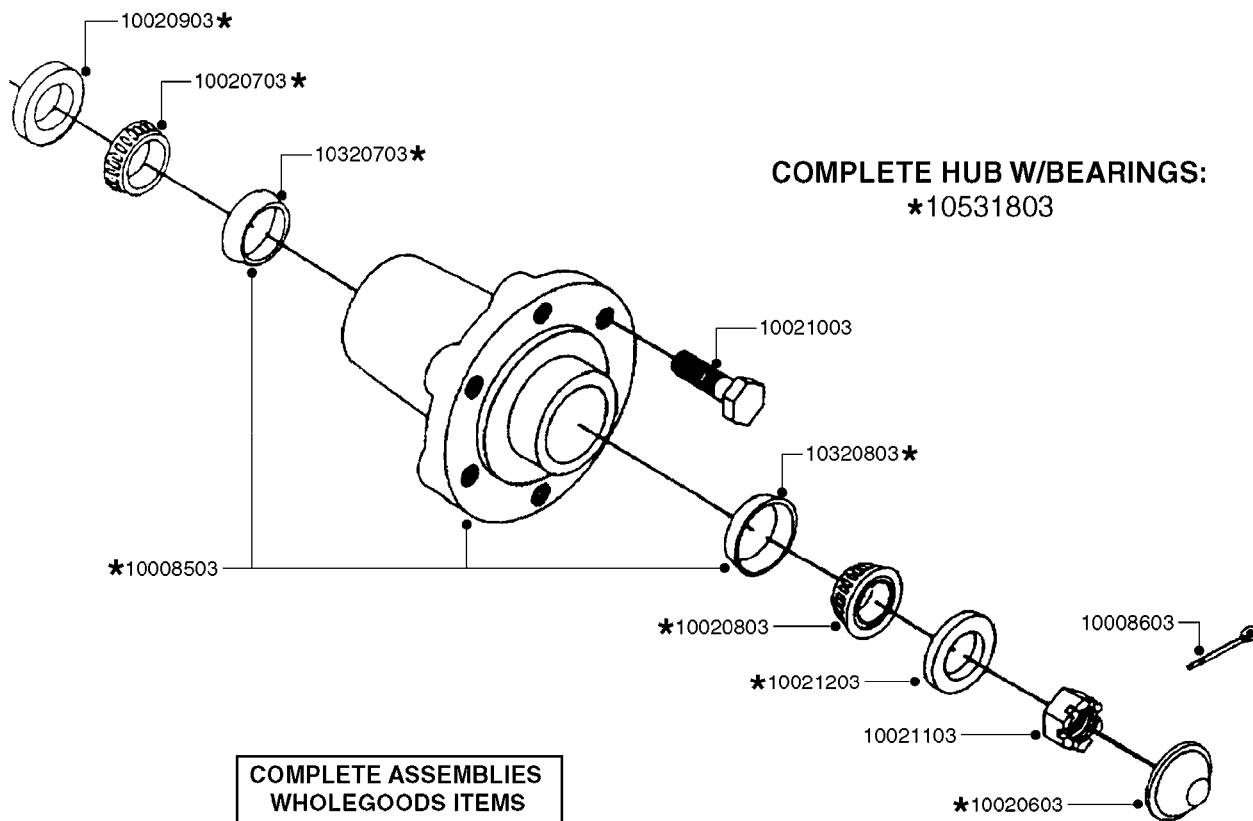


10008403 (WELD IN)



145806 (SA 500/L=375MM)

145809 (TA 500, SA 300/L=355MM)



E0720



HUB ASSEMBLY F.1-3/4" SPINDLE
E0720-HIN, 11:09:17

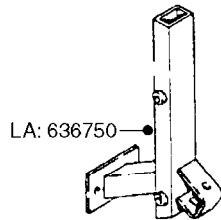
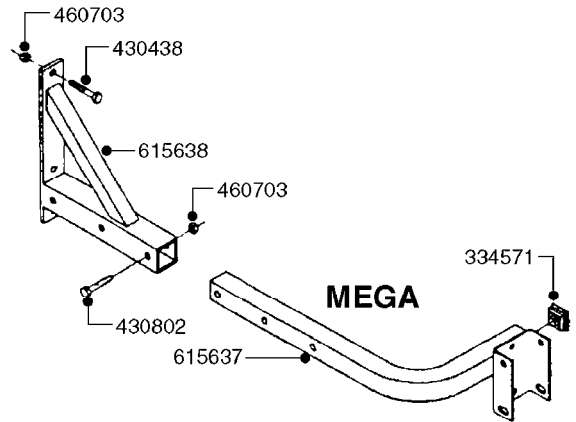
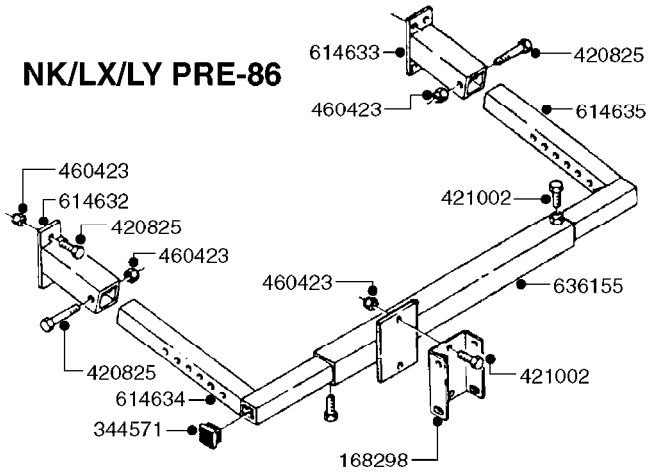
Page 1

Date 04.11.2017 13:05

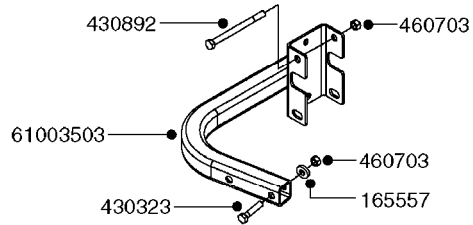
| parts-n° | order qty | description |
|----------|-----------|---|
| 145806 | 1 | SPINDLE 500 SINGLE |
| 145809 | 1 | SPINDLE 300 SINGLE |
| 10008403 | 1 | SPINDLE ASSY. 1.75x13.25 |
| 10008503 | 1 | HUB TR300/500 H611-3 C/W CUPS |
| 10008603 | 1 | COTTER PIN 1/8"X 1-1/2" |
| 10020603 | 1 | DUST CAP DC13 |
| 10020703 | 1 | BEARING INNER CORE LM48548 |
| 10020803 | 1 | BEARING OUTER CORE LM67048 |
| 10020903 | 1 | SEAL OIL CR15190 |
| 10021003 | 1 | BOLT HEX 1/2 NF 01.375" WHEEL |
| 10021103 | 1 | NUT HEX NF 7/8 WB32 |
| 10021203 | 1 | WASHER PLATE D2"D.937" |
| 10320703 | 1 | BEARING INNER CUP |
| 10320803 | 1 | BEARING OUTER CUP |
| 10531803 | 1 | HUB ASSY.COMP.F.1-3/4" SPINDLE DOES NOT INCLUDE WHEEL BOLTS, NUT OR COTTER PIN |



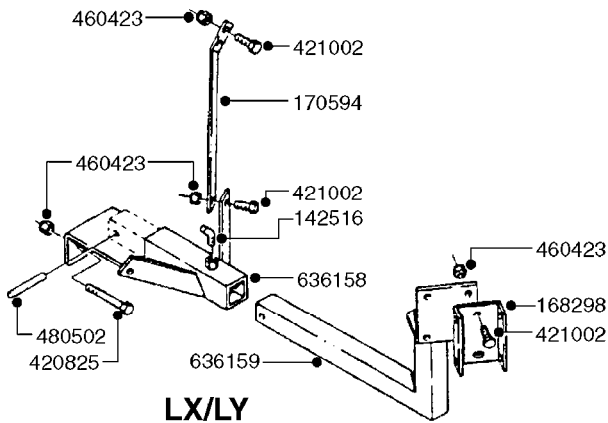
NK/LX/LY PRE-86



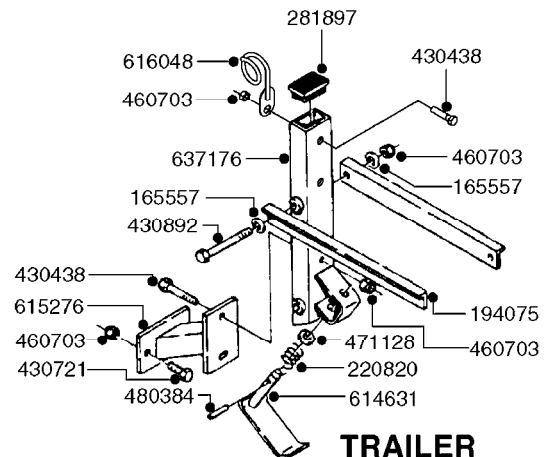
3PT TWIN



NEW NAVIGATOR



LX/LY



TRAILER

K0050

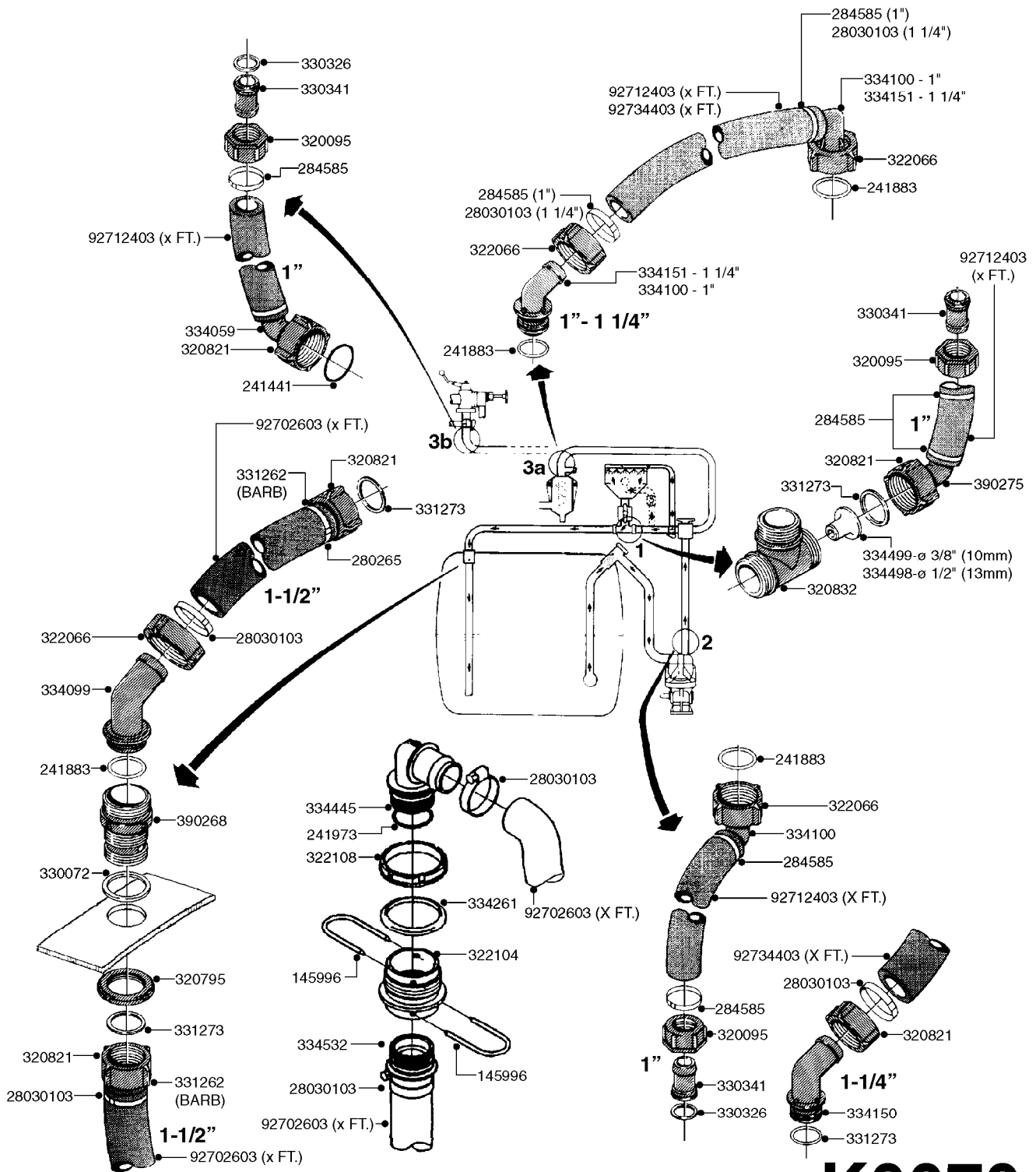


CHEM.FILLER-MOUNTING BRACKETS
K0050-HIN, 01:01:16

Page 1

Date 04.11.2017 13:05

| parts-n° | order qty | description |
|----------|-----------|-----------------------------------|
| 142516 | 1 | SCREW SET M10 BENT F. LOCKING |
| 165557 | 1 | WASHER D28.0/D12.2X2.0 SS |
| 168298 | 1 | INTERM BRACKET |
| 170594 | 1 | 170594 |
| 194075 | 1 | MOUNT ARM F.CHEM.FILL BRACKET |
| 220820 | 1 | SPRING D20.5/2.0 0-50MM |
| 281897 | 1 | COVER PLUG |
| 334571 | 1 | PLUG 40x40x2 F.SQ.TUBE |
| 420825 | 1 | BOLT HEX 8.8 DEL M10X65 |
| 421002 | 1 | BOLT HEX 8.8 DEL M10X30 FT DIN933 |
| 430323 | 1 | BOLT HEX 8.8 DEL M12X60 |
| 430438 | 1 | BOLT HEX 8.8 DEL M12X65 |
| 430721 | 1 | BOLT HEX 8.8 DEL M12X40 FT |
| 430802 | 1 | BOLT HEX 8.8 DEL M12X75 |
| 430892 | 1 | BOLT HEX 8.8 DEL M12X110 |
| 460423 | 1 | NUT HEX M10X1.50 LOCK DIN985A2 SS |
| 460703 | 1 | NUT HEX M12X1.75 LOCK DIN985A2 SS |
| 471128 | 1 | WASHER, M16, Ø30/17.0X 3.0, SS |
| 480384 | 1 | PIN COTTER 3/16 x 1-1/2" |
| 480502 | 1 | PIN RETAINING M10X50 DIN 1481 |
| 614631 | 1 | FOOT PEDAL FOR FILLER |
| 614632 | 1 | SOCKET FOR SUSPENSION LEFT |
| 614633 | 1 | SOCKET FOR SUSPENSION RIGHT |
| 614634 | 1 | MOUNT BRACKET F.ACCESS. RIGHT |
| 614635 | 1 | MOUNT BRACKET F. ACCESS. LEFT |
| 615276 | 1 | BRACKET F.CHEM.FILL MOUNT |
| 615637 | 1 | MNT. BRKT. MEGA CHEM. FILLER |
| 615638 | 1 | MOUNT BKT.F.CHEM FILLER MEGA |
| 616048 | 1 | HOSE HOLDER |
| 636155 | 1 | CENTER-PCS. F.SUSPENSION |
| 636158 | 1 | TELESCOPE HOLDER |
| 636159 | 1 | TELESCOPE PIPE F.HARDI FILLER |
| 636750 | 1 | 636750 |
| 637176 | 1 | CONSOLE F. CHEMFILL BRACKET |



K0070

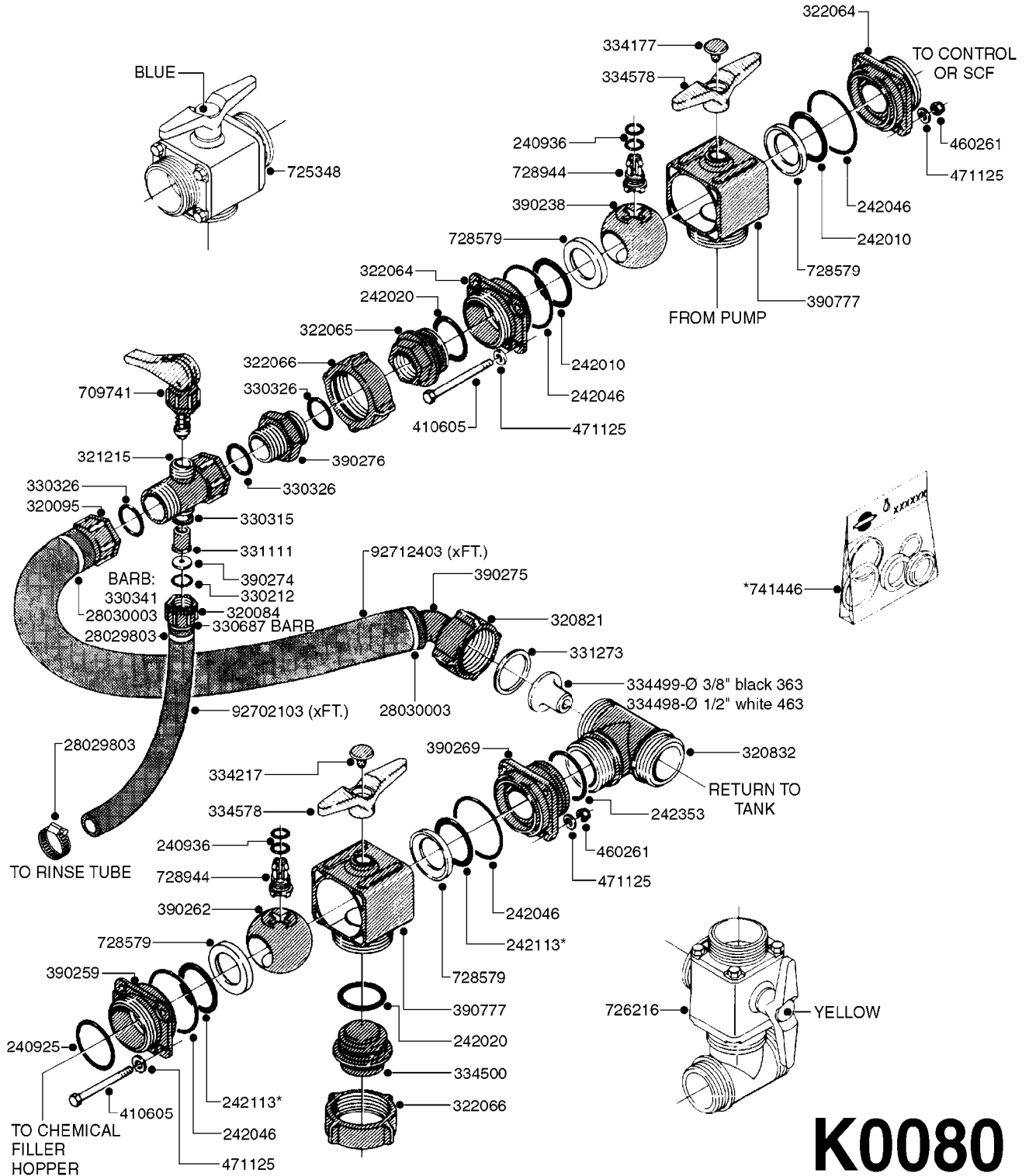


CHEM. FILLER-PLUMBING-STANDARD
K0070-HIN, 01:01:16

Page 1

Date 04.11.2017 13:05

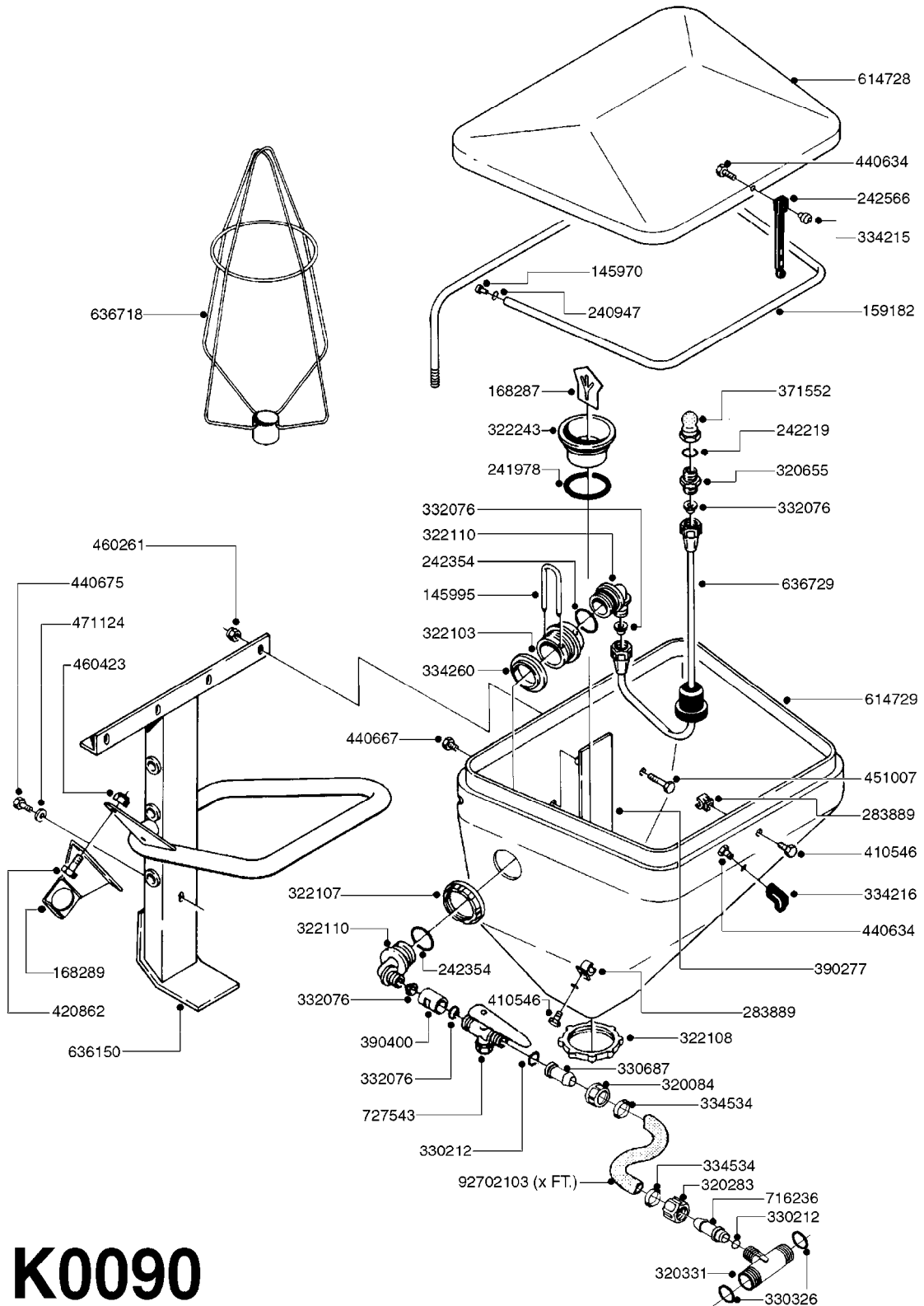
| parts-n° | order qty | description |
|----------|-----------|-----------------------------------|
| 145996 | 1 | FITT.DK S-67 FORK |
| 241441 | 1 | O-RING D29.3X3 |
| 241883 | 1 | O-RING D39.2X3 NITRIL 242020 |
| 241973 | 1 | O-RING Ø3 X 44,2 70 SHORES NITRIL |
| 280265 | 1 | CLMP HS GEAR1-1/2" alt28030103 |
| 284585 | 1 | CLAMP HOSE GEAR 1" MINI 020 |
| 320095 | 1 | FITT.DK NUT 1" BSP |
| 320795 | 1 | FITT.DK NUT 1-1/2" BSP JAMB |
| 320821 | 1 | FITT.DK NUT 1-1/2" BSP |
| 320832 | 1 | FITT.DK TEE 1-1/2x1-1/2x1-1/2 |
| 322066 | 1 | FITT.DK S-56 NUT |
| 322104 | 1 | FITT.DK S-67 BULKHEAD |
| 322108 | 1 | FITT.DK S-67 BULKHEAD NUT |
| 330072 | 1 | O-RING D53.5/D45.5X4 |
| 330326 | 1 | O-RING D30/D24X2 F.1"NUT |
| 330341 | 1 | FITT.DK HB 1" F. 1" NUT |
| 331262 | 1 | FITT.DK HB 1-1/2" F. 1-1/2"NUT |
| 331273 | 1 | O-RING D44/D38X2 F.1-1/2" |
| 334059 | 1 | FITT.DK EL 1" 110 DEG.F.1-1/2" |
| 334099 | 1 | FITT.DK S-61 ELB.1-1/2"110 DEG |
| 334100 | 1 | FITT.DK S-61 ELB.1" 110 DEG. |
| 334150 | 1 | FITT.DK HB 1-1/4" 110 F.1-1/2" |
| 334151 | 1 | FITT.DK S-61 ELB.1-1/4"110 DEG |
| 334261 | 1 | GASKET F. S-67 BULKHEAD |
| 334445 | 1 | HOSE TAIL 90° S67 1"1/2 |
| 334498 | 1 | NOZZLE INJECTOR 13MM/462 WHITE |
| 334499 | 1 | NOZZLE INJECTOR 10MM/361 BLACK |
| 334532 | 1 | FITT.DK S-67 STR.1-1/2' W/HOLE |
| 390268 | 1 | FITT.DK BULKHEAD 1-1/2' SPEC. |
| 390275 | 1 | FITT.DK ELB 1' SPECIAL F.CHEMF |
| 28030103 | 1 | CLAMP HOSE GEAR P5/4-S1.5"6724 |
| 92702603 | 1 | HOSE PVC SUCT GRAY 1-1/2" |
| 92712403 | 1 | HOSE R X1" X300PSI WP X0012" |
| 92734403 | 1 | HOSE R X5/4" X200PSI WP X0012" |



K0080



| parts-n° | order qty | description |
|----------|-----------|-----------------------------------|
| 240925 | 1 | O-RING D49.5X3 NITRIL |
| 240936 | 1 | O-RING D13.3X2.4 NITRIL |
| 242010 | 1 | O-RING D37.47X5.33 |
| 242020 | 1 | O-RING 39.2 X 3 VITON |
| 242046 | 1 | O-RING D60X2 |
| 242113 | 1 | O-RING D37.5X5.3 VITON |
| 242353 | 1 | O-RING D44.2X3.0 VITON F.S-67 |
| 320084 | 1 | FITT.DK NUT 1/2" BSP |
| 320095 | 1 | FITT.DK NUT 1" BSP |
| 320821 | 1 | FITT.DK NUT 1-1/2" BSP |
| 320832 | 1 | FITT.DK TEE 1-1/2x1-1/2x1-1/2 |
| 321215 | 1 | FITT.DK HOUSING F. AGITATION |
| 322064 | 1 | END COVER W.S56 |
| 322065 | 1 | FITT.DK UNION 1' BSP/S-56 |
| 322066 | 1 | FITT.DK S-56 NUT |
| 330212 | 1 | O-RING D19/D14X2.4 F.1/2"NUT |
| 330315 | 1 | O-RING D18.4/D13X.6 |
| 330326 | 1 | O-RING D30/D24X2 F.1"NUT |
| 330341 | 1 | FITT.DK HB 1" F. 1" NUT |
| 330687 | 1 | FITT.DK HB 1/2" F. 1/2" NUT |
| 331111 | 1 | VALVE SEAT FOR 1/2" DISTRIBUT. |
| 331273 | 1 | O-RING D44/D38X2 F.1-1/2" |
| 334177 | 1 | VALVE INDICATOR BLUE |
| 334217 | 1 | VALVE INDICATOR YELLOW |
| 334498 | 1 | NOZZLE INJECTOR 13MM/462 WHITE |
| 334499 | 1 | NOZZLE INJECTOR 10MM/361 BLACK |
| 334500 | 1 | FITT.DK S-56 PLUG W/ 4.2Ø Hole |
| 334578 | 1 | HANDLE FOR VALVE 'OLD' STYLE |
| 390238 | 1 | BALL F. 3 WAY PRESSURE VALVE |
| 390259 | 1 | END COVER S56 F.3 WAY VALVE |
| 390262 | 1 | BALL F. 2 WAY VALVE |
| 390269 | 1 | END COVER S56 1-1/2"F.3WAY VLV |
| 390274 | 1 | ORIFICE ID4.0/18/1.5 |
| 390275 | 1 | FITT.DK ELB 1' SPECIAL F.CHEMF |
| 390276 | 1 | FITT.DK HN 1'BSP |
| 390777 | 1 | HOUSING F.BALL VALVE 3 WAY |
| 410605 | 1 | BOLT HEX 8.8 DEL M6X80 |
| 460261 | 1 | NUT HEX M6X1.00 LOCK DIN985 A2 SS |
| 471125 | 1 | WASHER M6U 6.4X14X1.2,A2 SS |
| 709741 | 1 | VALVE ASSY. 1/2" FLIP LEVER |
| 725348 | 1 | VALVE 3 WAY BLUE |
| 726216 | 1 | VALVE TWO WAY |
| 728579 | 1 | SEAL F BALL |
| 728944 | 1 | VALVE STEM & COLOURED CAPS |
| 741446 | 1 | REPAIR KIT F.S67 VALVE - VITON |
| 28029803 | 1 | CLAMP HOSE GEAR P1/2" 6708 |
| 28030003 | 1 | CLAMP HOSE GEAR P1" 6716 |
| 92702103 | 1 | HOSE R X1/2" X300PSI WP X0012" |
| 92712403 | 1 | HOSE R X1" X300PSI WP X0012" |



K0090

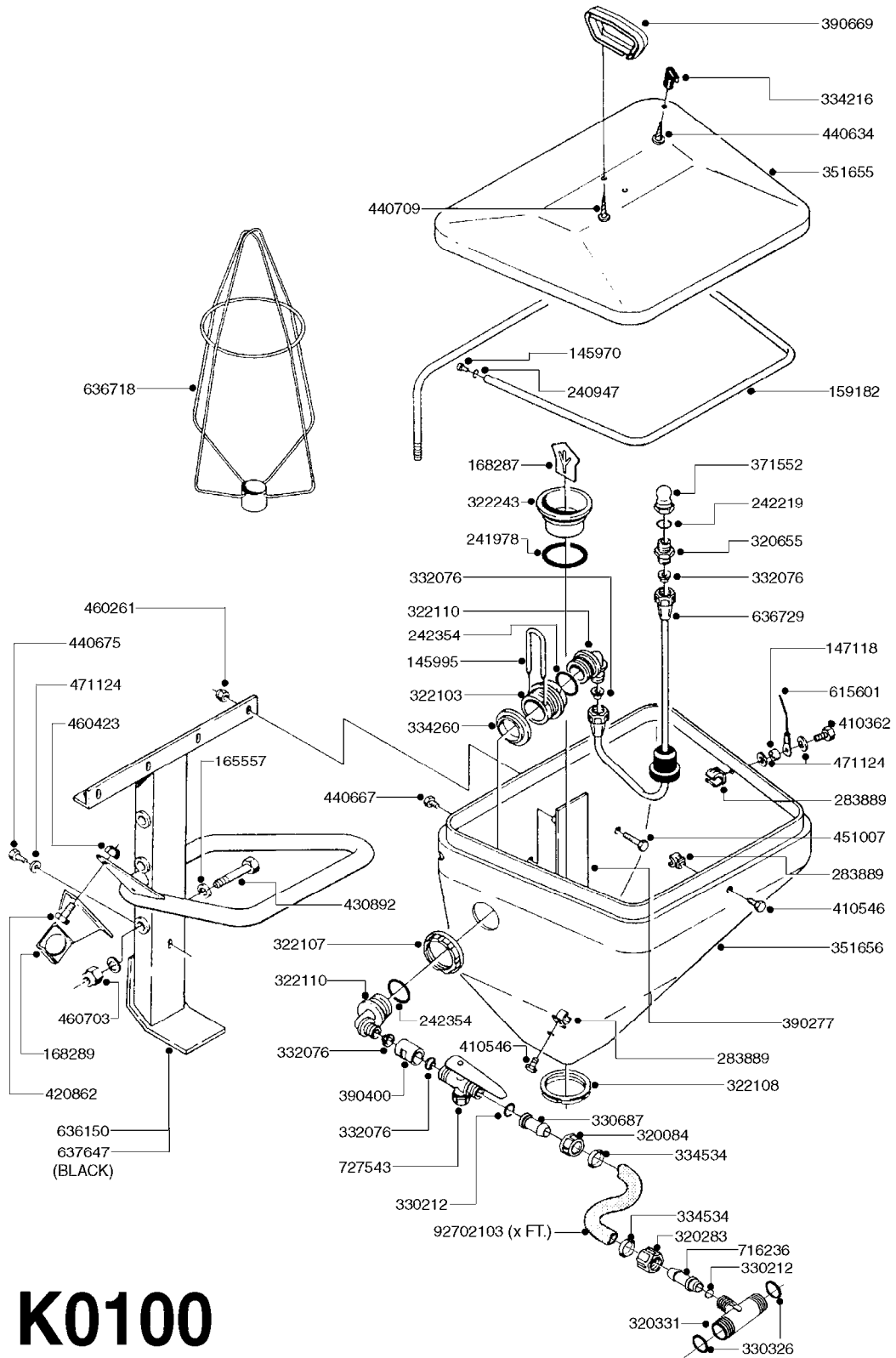


CHEMICAL FILLER-HOPPER (PRE95)
K0090-HIN, 01:01:16

Page 1

Date 04.11.2017 13:05

| parts-n° | order qty | description |
|----------|-----------|-----------------------------------|
| 145970 | 1 | PLUG MF 11 X 1 |
| 145995 | 1 | FITT.DK S-53 FORK |
| 159182 | 1 | RINSING TUBE CHEM.FILL |
| 168287 | 1 | PLATE ANTI-VORTEX F.CHEM FILL |
| 168289 | 1 | BRACKET F. 3-WAY VALVE |
| 240947 | 1 | O-RING D7.3X2.4 NITRIL |
| 241978 | 1 | O-RING 64.5X3.0 |
| 242219 | 1 | O-RING D16.3X2.4 VITON |
| 242354 | 1 | O-RING D32.2X3.0 VITON F.S-53 |
| 242566 | 1 | LATCH STRAP F. CHEM.FILL |
| 283889 | 1 | CLIP F.TUBE SUPPORT |
| 320084 | 1 | FITT.DK NUT 1/2" BSP |
| 320283 | 1 | FITT.DK NUT 3/4"BSP |
| 320331 | 1 | FITT.DK TEE 1" - 1" - 3/4" BSP |
| 320655 | 1 | FITT.DK HN 1/2"-1/2" BSP |
| 322103 | 1 | FITT.DK S-53 BULKHEAD |
| 322107 | 1 | FITT.DK S-53 BULKHEAD NUT |
| 322108 | 1 | FITT.DK S-67 BULKHEAD NUT |
| 322110 | 1 | FITT.DK S-53 ELB. 1/2" BSP |
| 322243 | 1 | DRAIN PIPE/CHEM FIL.S67/S56 |
| 330212 | 1 | O-RING D19/D14X2.4 F.1/2"NUT |
| 330326 | 1 | O-RING D30/D24X2 F.1"NUT |
| 330687 | 1 | FITT.DK HB 1/2" F. 1/2" NUT |
| 332076 | 1 | CONE INSERT F. ALUMINUM LANCE |
| 334215 | 1 | RUBBER |
| 334216 | 1 | RUBBER LATCH FOR CHEM.FILL |
| 334260 | 1 | GASKET F. S-53 BULKHEAD |
| 334534 | 1 | CLAMP HOSE PLASTIC 1/2" |
| 371552 | 1 | NOZZLE F.RINSING |
| 390277 | 1 | SCALE PLATE FOR HARDI FILLER |
| 390400 | 1 | FITT.DK BULKHEAD 1/2'X1/2' |
| 410546 | 1 | SCREW HEX M6X12 A2 SS DIN933 |
| 420862 | 1 | BOLT HEX 8.8 DEL M10X16 FT |
| 440634 | 1 | SCREW 5/8" |
| 440667 | 1 | SCREW M3.5X12 SLOT STAINLESS |
| 440675 | 1 | SCREW F. PLASTIC 5X16 SS |
| 451007 | 1 | SCREW M6X20 STAINLESS |
| 460261 | 1 | NUT HEX M6X1.00 LOCK DIN985 A2 SS |
| 460423 | 1 | NUT HEX M10X1.50 LOCK DIN985A2 SS |
| 471124 | 1 | WASHER L6U 6,4 X18 X 1.6 A2 SS |
| 614728 | 1 | LID FOR CHEM FILLER |
| 614729 | 1 | TANK HARDI FILLER |
| 636150 | 1 | FRAME FOR CHEM FILL TANK |
| 636718 | 1 | RINSE SUPPORT CHEM.FILL 25/35L |
| 636729 | 1 | TUBE F. RINSE CHEM FILL |
| 716236 | 1 | FITT.DK HB 1/2" ASSY. F. 3/4" |
| 727543 | 1 | VALVE F.CHEM FILL JUG RINSE |
| 92702103 | 1 | HOSE R X1/2" X300PSI WP X0012" |



K0100



CHEMICAL FILLER-HOPPER (POST95)
K0100-HIN, 01:01:16

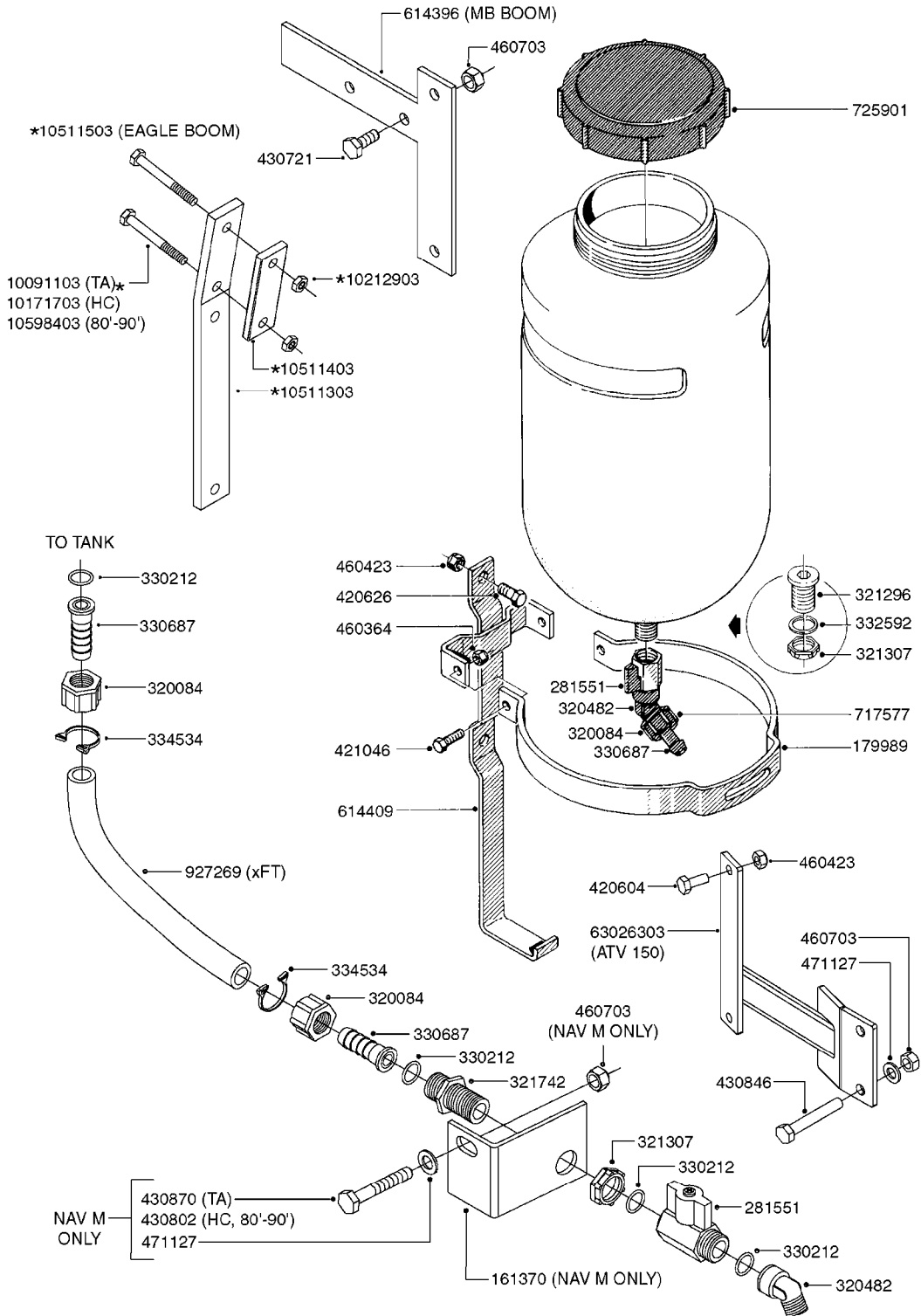
Page 1

Date 04.11.2017 13:05

| parts-n° | order qty | description |
|----------|-----------|-----------------------------------|
| 145970 | 1 | PLUG MF 11 X 1 |
| 145995 | 1 | FITT.DK S-53 FORK |
| 147118 | 1 | BUSHING 10,0/6,2 L=5 CHEM FILL |
| 159182 | 1 | RINSING TUBE CHEM.FILL |
| 165557 | 1 | WASHER D28.0/D12.2X2.0 SS |
| 168287 | 1 | PLATE ANTI-VORTEX F.CHEM FILL |
| 168289 | 1 | BRACKET F. 3-WAY VALVE |
| 240947 | 1 | O-RING D7.3X2.4 NITRIL |
| 241978 | 1 | O-RING 64.5X3.0 |
| 242219 | 1 | O-RING D16.3X2.4 VITON |
| 242354 | 1 | O-RING D32.2X3.0 VITON F.S-53 |
| 283889 | 1 | CLIP F.TUBE SUPPORT |
| 320084 | 1 | FITT.DK NUT 1/2" BSP |
| 320283 | 1 | FITT.DK NUT 3/4"BSP |
| 320331 | 1 | FITT.DK TEE 1" - 1" - 3/4" BSP |
| 320655 | 1 | FITT.DK HN 1/2"-1/2" BSP |
| 322103 | 1 | FITT.DK S-53 BULKHEAD |
| 322107 | 1 | FITT.DK S-53 BULKHEAD NUT |
| 322108 | 1 | FITT.DK S-67 BULKHEAD NUT |
| 322110 | 1 | FITT.DK S-53 ELB. 1/2" BSP |
| 322243 | 1 | DRAIN PIPE/CHEM FIL.S67/S56 |
| 330212 | 1 | O-RING D19/D14X2.4 F.1/2"NUT |
| 330326 | 1 | O-RING D30/D24X2 F.1"NUT |
| 330687 | 1 | FITT.DK HB 1/2" F. 1/2" NUT |
| 332076 | 1 | CONE INSERT F. ALUMINUM LANCE |
| 334216 | 1 | RUBBER LATCH FOR CHEM.FILL |
| 334260 | 1 | GASKET F. S-53 BULKHEAD |
| 334534 | 1 | CLAMP HOSE PLASTIC 1/2" |
| 351655 | 1 | LID CHEM FILL.25L POST 95 |
| 351656 | 1 | HOPPER F.CHEM FILL 25L POST'96 |
| 371552 | 1 | NOZZLE F.RINSING |
| 390277 | 1 | SCALE PLATE FOR HARDI FILLER |
| 390400 | 1 | FITT.DK BULKHEAD 1/2'X1/2' |
| 390669 | 1 | HANDLE F.CHEM FILLER |
| 410362 | 1 | BOLT HEX 8.8 SS M6X20 |
| 410546 | 1 | SCREW HEX M6X12 A2 SS DIN933 |
| 420862 | 1 | BOLT HEX 8.8 DEL M10X16 FT |
| 430892 | 1 | BOLT HEX 8.8 DEL M12X110 |
| 440634 | 1 | SCREW 5/8" |
| 440667 | 1 | SCREW M3.5X12 SLOT STAINLESS |
| 440675 | 1 | SCREW F. PLASTIC 5X16 SS |
| 440709 | 1 | SCREW 60X12 CHEM.FILL HANDLE |
| 451007 | 1 | SCREW M6X20 STAINLESS |
| 460261 | 1 | NUT HEX M6X1.00 LOCK DIN985 A2 SS |
| 460423 | 1 | NUT HEX M10X1.50 LOCK DIN985A2 SS |
| 460703 | 1 | NUT HEX M12X1.75 LOCK DIN985A2 SS |
| 471124 | 1 | WASHER L6U 6,4 X18 X 1.6 A2 SS |
| 615601 | 1 | BUNGEE CORD 21-1/4" |
| 636150 | 1 | FRAME FOR CHEM FILL TANK |
| 636718 | 1 | RINSE SUPPORT CHEM.FILL 25/35L |
| 636729 | 1 | TUBE F. RINSE CHEM FILL |
| 637647 | 1 | BRACKET F.CHEMFILL |
| 716236 | 1 | FITT.DK HB 1/2" ASSY. F. 3/4" |
| 727543 | 1 | VALVE F.CHEM FILL JUG RINSE |
| 92702103 | 1 | HOSE R X1/2" X300PSI WP X0012" |



CLEAN WATER TANK
K0130-HIN, 01:01:16



COMPLETE TANK ASSY : 722072

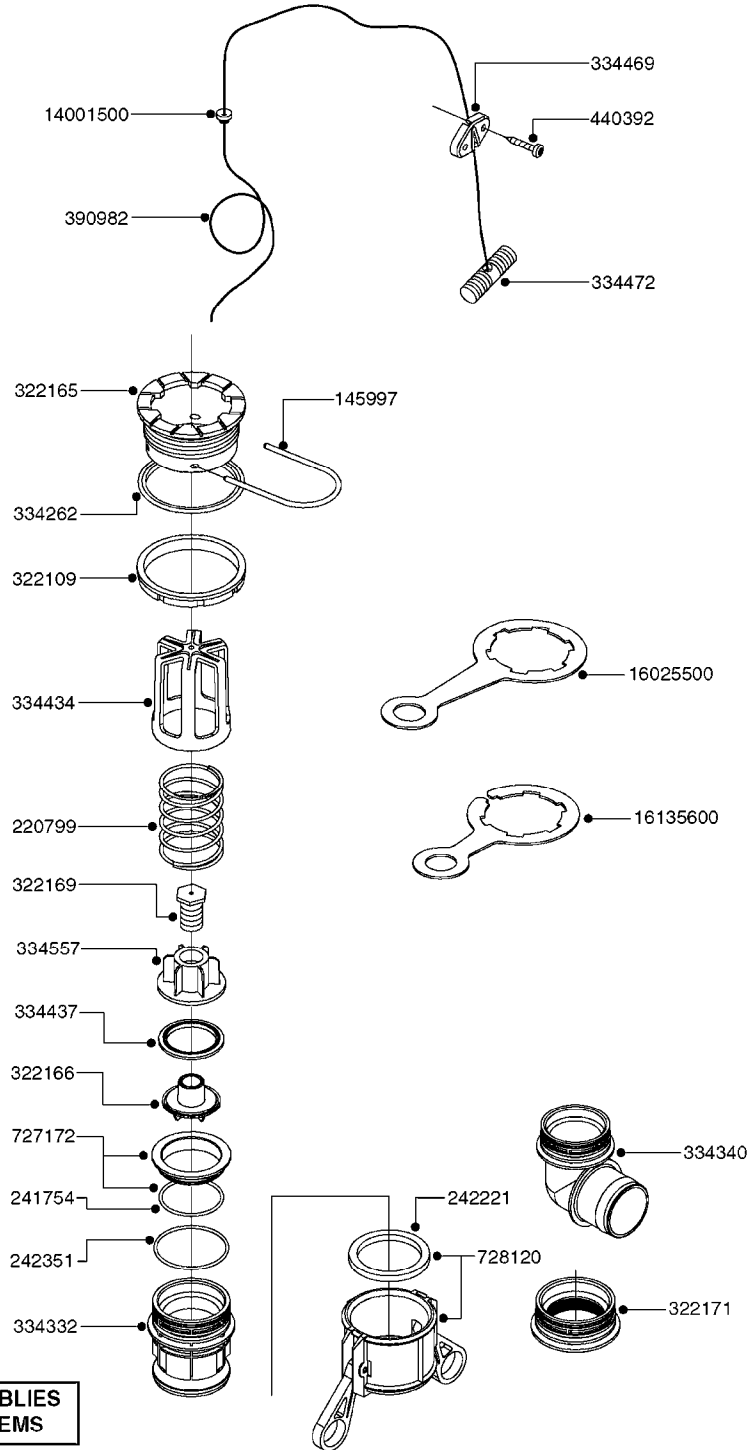
K0130



CLEAN WATER TANK
K0130-HIN, 01:01:16

Page 1
Date 04.11.2017 13:05

| parts-n° | order qty | description |
|----------|-----------|-----------------------------------|
| 161370 | 1 | BKT.CLEAN WATER BOTT. VALVE |
| 179989 | 1 | BRKT. F. 3 GAL. TANK |
| 281551 | 1 | BALL VALVE 1/2" |
| 320084 | 1 | FITT.DK NUT 1/2" BSP |
| 320482 | 1 | FITT.DK ELB. 1/2" BSP 60 DEG. |
| 321296 | 1 | FITT.DK BULKHEAD 1/2" BSP SING |
| 321307 | 1 | FITT.DK NUT 1/2" BSP JAMB |
| 321742 | 1 | FITT.DK BULKHEAD 1/2' BSP |
| 330212 | 1 | O-RING D19/D14X2.4 F.1/2"NUT |
| 330687 | 1 | FITT.DK HB 1/2" F. 1/2" NUT |
| 332592 | 1 | O-RING D26/D20X3 |
| 334534 | 1 | CLAMP HOSE PLASTIC 1/2" |
| 420604 | 1 | BOLT HEX 8.8 DEL M10X25 FT DIN933 |
| 420626 | 1 | BOLT HEX 8.8 DEL M10X20 FT |
| 421046 | 1 | SCREW HEX M8X25/25 A2 SS DIN933 |
| 430721 | 1 | BOLT HEX 8.8 DEL M12X40 FT |
| 430802 | 1 | BOLT HEX 8.8 DEL M12X75 |
| 430846 | 1 | BOLT HEX 8.8 DEL M12X80 |
| 430870 | 1 | BOLT HEX 8.8 DEL M12X55 FT |
| 460364 | 1 | NUT HU M8 A2 SS DIN934 |
| 460423 | 1 | NUT HEX M10X1.50 LOCK DIN985A2 SS |
| 460703 | 1 | NUT HEX M12X1.75 LOCK DIN985A2 SS |
| 471127 | 1 | WASHER Z12N 13X24X2,5 RST |
| 614396 | 1 | CLEAN WATER BRACKET MB |
| 614409 | 1 | BRACKET FOR FOAM MARKER |
| 717577 | 1 | VALVE F.CLEAN WATER TANK |
| 722072 | 1 | CLEAN WATER TANK W FRAME & TAP |
| 725901 | 1 | LID F.WATER BOTTLE VENTED |
| 927269 | 1 | HOSE R X PVC X 1/2 X 0012" |
| 10091103 | 1 | BOLT HEX 3/8 NC GR.2 03.00' |
| 10171703 | 1 | BOLT HEX 3/8 NC GR.2 03.50" |
| 10212903 | 1 | NUT HEX NC (NYLON LOCK) 3/8" |
| 10511303 | 1 | FLATBAR L350/17DEG.CLEAN WATER |
| 10511403 | 1 | FLATBAR 104MM CLEAN WATER |
| 10511503 | 1 | BKT.CLEAN WATER MOUNT EAGLE |
| 10598403 | 1 | BOLT HEX HCS3/8-16 X 4 Z 5 |
| 63026303 | 1 | CLEAN WATER TANK BRKT, ATV |



COMPLETE ASSEMBLIES
WHOLEGOODS ITEMS

727617 - COMPLETE ASSEMBLY (2" BSP THREADED FITTING & 126" CORD)

727742 - COMPLETE ASSEMBLY (2-1/2" ELBOW & 157.5" CORD)

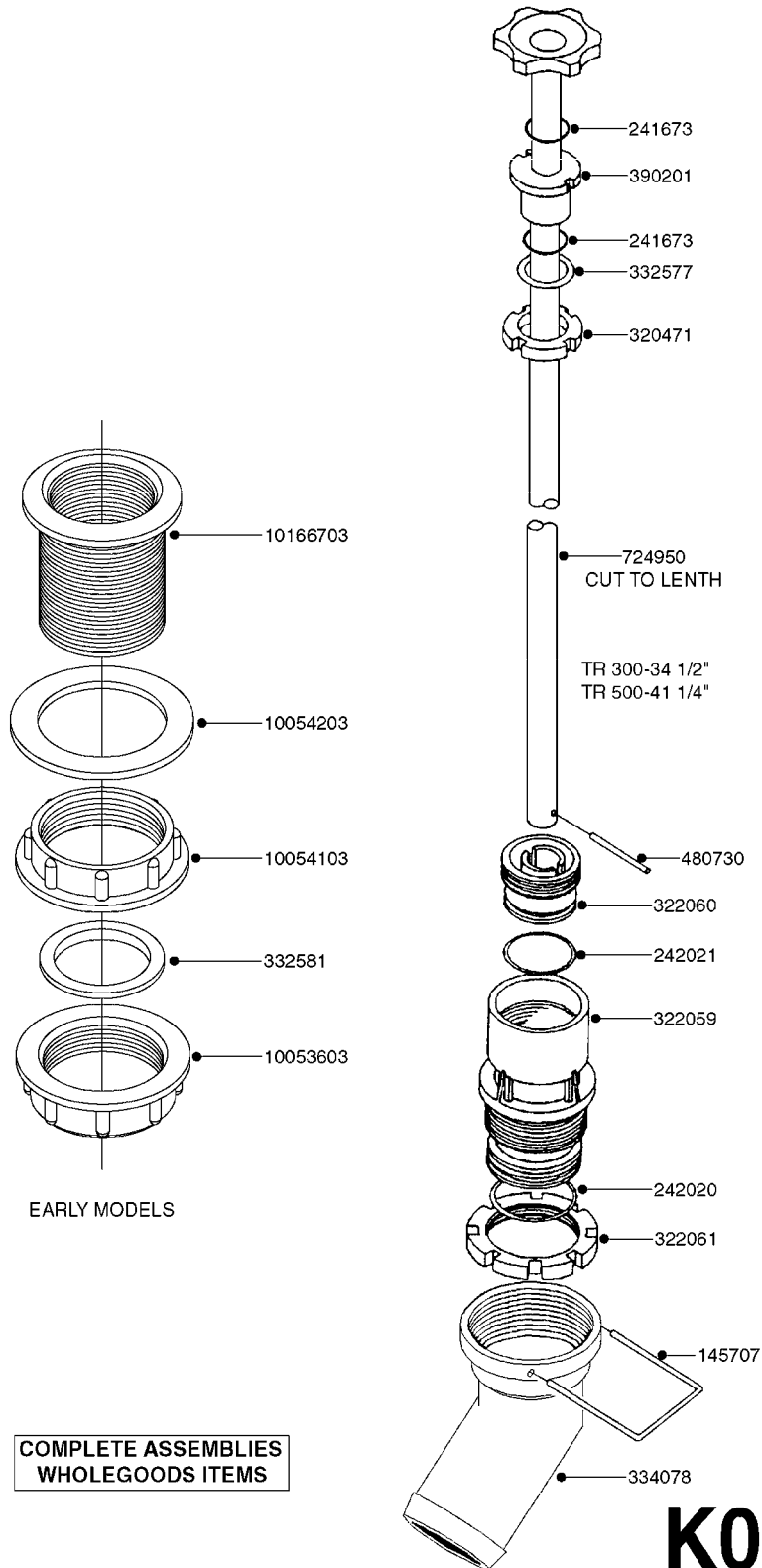
K0180



DRAIN ASSEMBLY-PULL CORD TYPE
K0180-HIN, 01:01:16

Page 1
Date 04.11.2017 13:05

| parts-n° | order qty | description |
|----------|-----------|--------------------------------|
| 145997 | 1 | FITT.DK S-93 FORK |
| 220799 | 1 | SPRING F.TOP DRAIN |
| 241754 | 1 | O-RING D59.5X3 |
| 242221 | 1 | GASKET F. S-93 QUICK COUPLERS |
| 242351 | 1 | O-RING D69.5X3.0 VITON F.S-93 |
| 322109 | 1 | FITT.DK S-93 BULKHEAD NUT |
| 322165 | 1 | FITT.DK S-93 BULKHEAD SINGLE |
| 322166 | 1 | VALVE FLAP LOWER PART |
| 322169 | 1 | CORD PLUG F.TOP DRAIN |
| 322171 | 1 | FITT.DK S-93 THREAD INS.2"BSP |
| 334262 | 1 | GASKET F.S-93 BULKHEAD |
| 334332 | 1 | FITT.DK S-93 MALE QUICK COUP. |
| 334340 | 1 | FITT.DK S-93 ELBOW 2.5" |
| 334434 | 1 | CAGE F.SPRING BOTTOM DRAIN ASY |
| 334437 | 1 | SEAL FOR VALVE FLAP |
| 334469 | 1 | CLEVIS F.CORD TOP DRAIN ASSY. |
| 334472 | 1 | HANDLE FOR TOP DRAIN |
| 334557 | 1 | SPRING SEAT TOP DRAIN |
| 390982 | 1 | CORD NYLON 4000MM |
| 440392 | 1 | SCREW 6.3 X 25.0 DIN7981C TORX |
| 727172 | 1 | FITT.DK S-93 SEAT INSERT |
| 727617 | 1 | FITT.DK S-93 BOTTOM VALVE 2' |
| 727742 | 1 | TOP DRAIN CORD TYPE |
| 728120 | 1 | QUICK COUPLER CAP F.S93 DRAIN |
| 14001500 | 1 | GROMMET F.TOP DRAIN CORD |
| 16025500 | 1 | TANK SPACER SIGHT GAUGE |
| 16135600 | 1 | GUIDE FOR SIGHT GAUGE NAV/NCM |



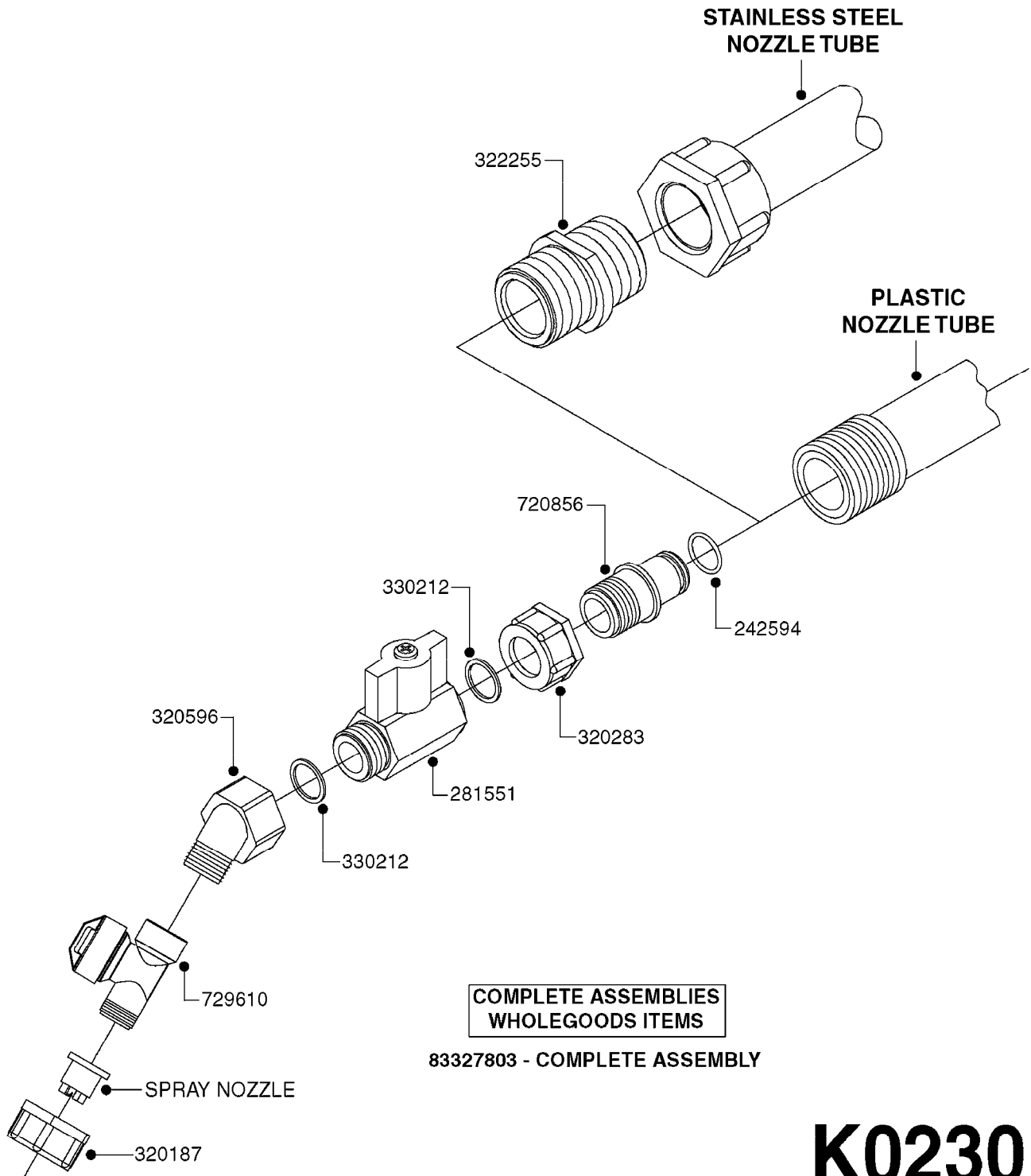
K0200



DRN ASMBLY-SCRW TYP TR 300/500
K0200-HIN, 01:01:16

Page 1
Date 04.11.2017 13:05

| parts-n° | order qty | description |
|----------|-----------|--------------------------------|
| 145707 | 1 | LOCK CLAMP F.BOTTOM DRAIN ASSY |
| 241673 | 1 | O-RING D22.1X1.6 |
| 242020 | 1 | O-RING 39.2 X 3 VITON |
| 242021 | 1 | O-RING D.37,69x3,53 VITON |
| 320471 | 1 | FITT.DK NUT 1" BSP JAMB |
| 322059 | 1 | BULKHEAD FOR BOTTOM VALVE |
| 322060 | 1 | STOPPER FOR BOTTOM VALVE |
| 322061 | 1 | NUT FOR BOTTOM VALVE |
| 332577 | 1 | O-RING D38/D30X4 F.1" PUR. |
| 332581 | 1 | GASKET F. 1-1/2" BSP CAPNUT. |
| 334078 | 1 | FITT.DK ELB.F.BOTTOM DRAIN ASY |
| 390201 | 1 | BULKHEAD F.TOP DRAIN F.O-RING |
| 480730 | 1 | PIN ROLL 5X30 STAINLESS STEEL |
| 724950 | 1 | DRAIN HANDLE ASSY./SCREW TYPE |
| 10053603 | 1 | FITT. CAPNUT 2"BSP 5601 |
| 10054103 | 1 | FITT.PO.NUT 2" BSP JAMB MCPHEE |
| 10054203 | 1 | GASKET F. 2" FITTINGS RUBBER |
| 10166703 | 1 | FITT.PO.BULKHEAD 2" BSP |



K0230

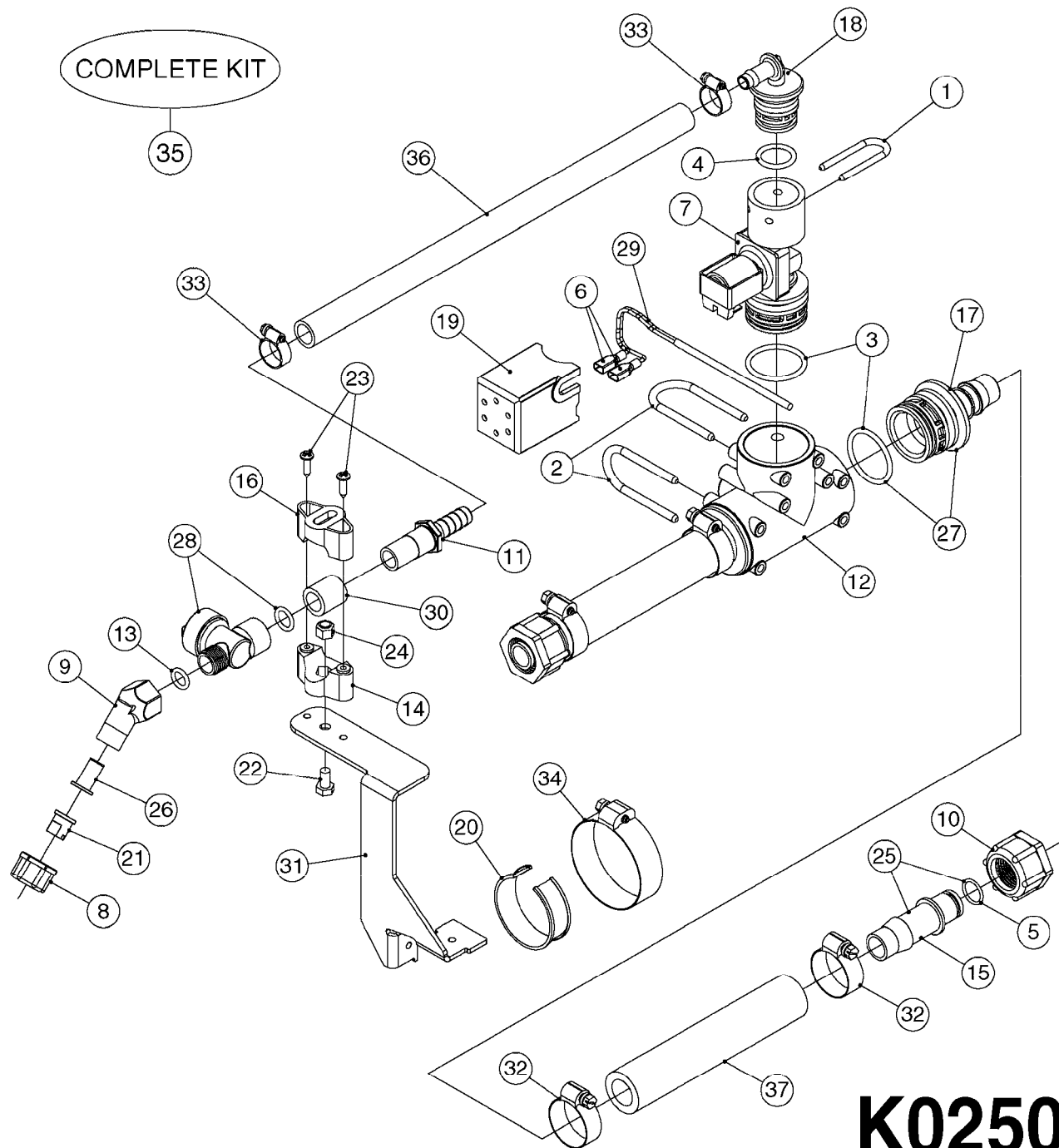


END NOZZLE KIT
K0230-HIN, 01:01:16

Page 1

Date 04.11.2017 13:05

| parts-n° | order qty | description |
|----------|-----------|--------------------------------|
| 242594 | 1 | O-RING D14 X 1.78 SCH.70-EPDM |
| 281551 | 1 | BALL VALVE 1/2" |
| 320187 | 1 | FITT.DK CAP 3/8" BSP BLACK |
| 320283 | 1 | FITT.DK NUT 3/4"BSP |
| 320596 | 1 | FITT.DK ELB 3/8'-1/2'BSP 45DEG |
| 322255 | 1 | FITT.DK NIPPLE 3/4"X 3/4" |
| 330212 | 1 | O-RING D19/D14X2.4 F.1/2"NUT |
| 720856 | 1 | FITT.DK 1/2'BSP ASSY.F.3/4'NUT |
| 729610 | 1 | NOZZLE ASSY. NON DRIP 3/8 THRD |
| 83327803 | 1 | END NOZZLE KIT "04" |



K0250



ELECTRIC END NOZZLE KIT '09
K0250-HIN, 01:01:16

Page 1
Date 04.11.2017 13:05

| Pos. | parts-n° | order qty | description |
|------|----------|-----------|-----------------------------------|
| 1 | 145994 | 1 | FITT.DK S-40 FORK |
| 2 | 145995 | 1 | FITT.DK S-53 FORK |
| 3 | 242354 | 1 | O-RING D32.2X3.0 VITON F.S-53 |
| 4 | 242355 | 1 | O-RING D19.2X3.0 VITON F.S-40 |
| 5 | 242594 | 1 | O-RING D14 X 1.78 SCH.70-EPDM |
| 6 | 261539 | 1 | SPADE F.ELEC CONNEX BLUE INSUL |
| 7 | 262104 | 1 | VALVE, SOLENOID, S53/S40 |
| 8 | 320187 | 1 | FITT.DK CAP 3/8" BSP BLACK |
| 9 | 320191 | 1 | FITT.DK ELB 3/8' BSP 45 DEGREE |
| 10 | 320283 | 1 | FITT.DK NUT 3/4"BSP |
| 11 | 320891 | 1 | FITT.DK HB 3/8'- 3/8' BSP |
| 12 | 322352 | 1 | FITT.DK S-53 TEE |
| 13 | 330013 | 1 | O-RING D15/D10X2.5 F.3/8"NUT |
| 14 | 333012 | 1 | NOZZLE HOLD. UPPER PART |
| 15 | 334044 | 1 | FITT.DK HB 3/4' F. 3/4' CAP |
| 16 | 334220 | 1 | YOKE, UPPER NOZZLE BODY |
| 17 | 334229 | 1 | FITT.DK S-53 STR.3/4" |
| 18 | 334237 | 1 | FITT.DK S-40 ELB.3/8" |
| 19 | 334965 | 1 | COVER FOR S53 SOLENOID VALVE |
| 20 | 341291 | 1 | RUBBER HOSE CLAMP COVER 130MM |
| 21 | 370392 | 1 | NOZZLE END FAN 1850-G 300 |
| 22 | 410546 | 1 | SCREW HEX M6X12 A2 SS DIN933 |
| 23 | 440665 | 1 | SCREW M4.2X16 STAINLESS |
| 24 | 460261 | 1 | NUT HEX M6X1.00 LOCK DIN985 A2 SS |
| 25 | 724621 | 1 | FITT.DK HB 3/4"ASSY F.3/4" NUT |
| 26 | 725042 | 1 | SCREEN 80 MESH W.GASKET, RED |
| 27 | 726558 | 1 | FITT.DK S53 STR. 3/4" W.ORING |
| 28 | 729610 | 1 | NOZZLE ASSY. NON DRIP 3/8 THRD |
| 29 | 983087 | 1 | ELEC. CABLE 2 WIRE X 0.75MM |
| 30 | 10631003 | 1 | HOSE R X CLEAR BRAID.X 1/2 12" |
| 31 | 16110803 | 1 | NOZZLE BRACKET VAR SPACINGS |
| 32 | 28029903 | 1 | CLAMP HOSE GEAR P3/4"-S1" 6712 |
| 33 | 28044903 | 1 | CLAMP HOSE GEAR P3/8" 6706 |
| 34 | 28047003 | 1 | CLAMP HOSE GEAR 30 X 50 6732 |
| 35 | 82613203 | 1 | ELECTRIC END NOZZLE KIT 2009 |
| 36 | 92701703 | 1 | HOSE R X3/8" X300PSI WP X0012" |
| 37 | 92703203 | 1 | HOSE R X3/4" X300PSI WP X0012" |



COMPLETE KIT NO
LONGER AVAILABLE.
FOR '09 KIT
SEE PAGE

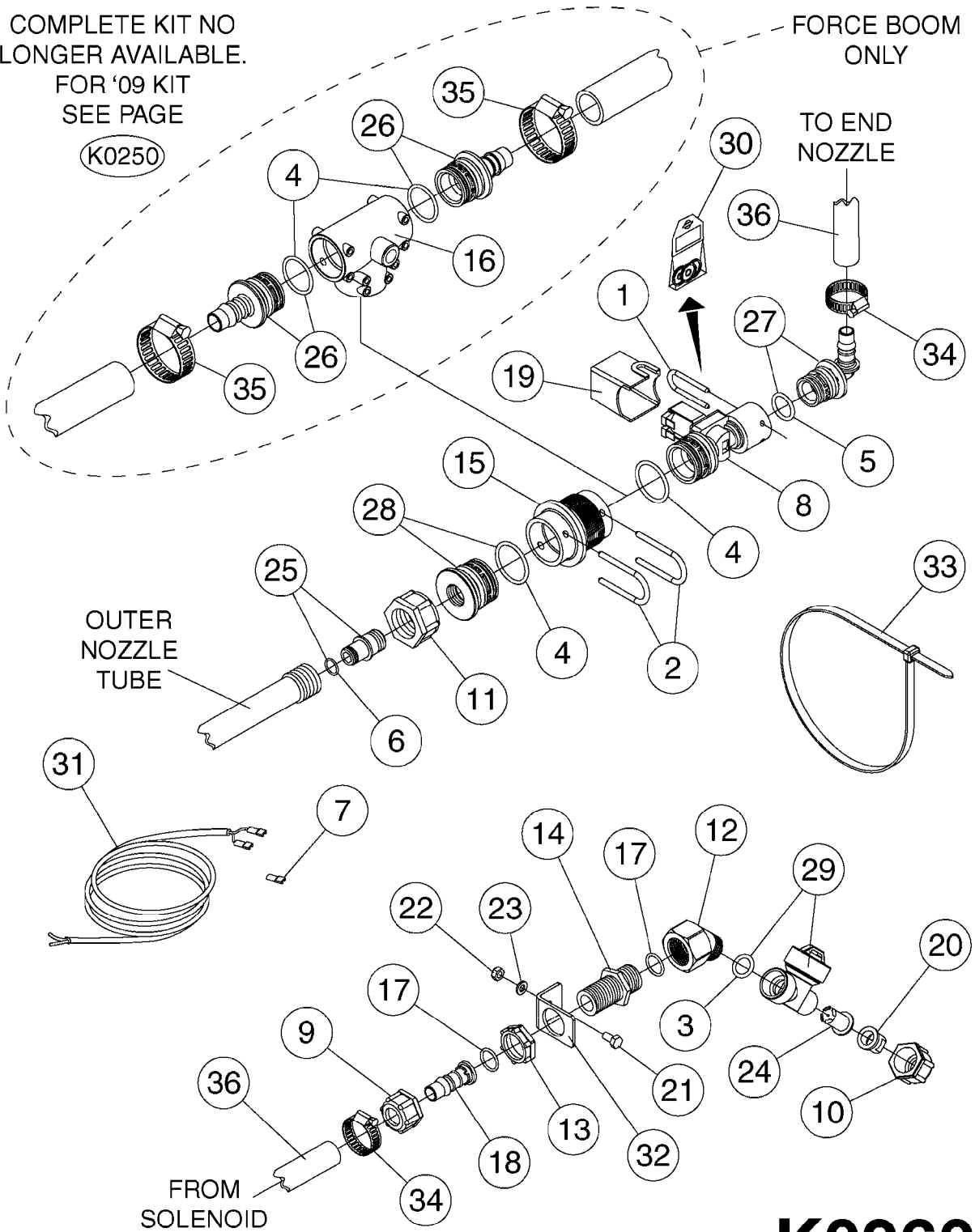
(K0250)

FORCE BOOM
ONLY

TO END
NOZZLE

OUTER
NOZZLE
TUBE

FROM
SOLENOID
ASSEMBLY



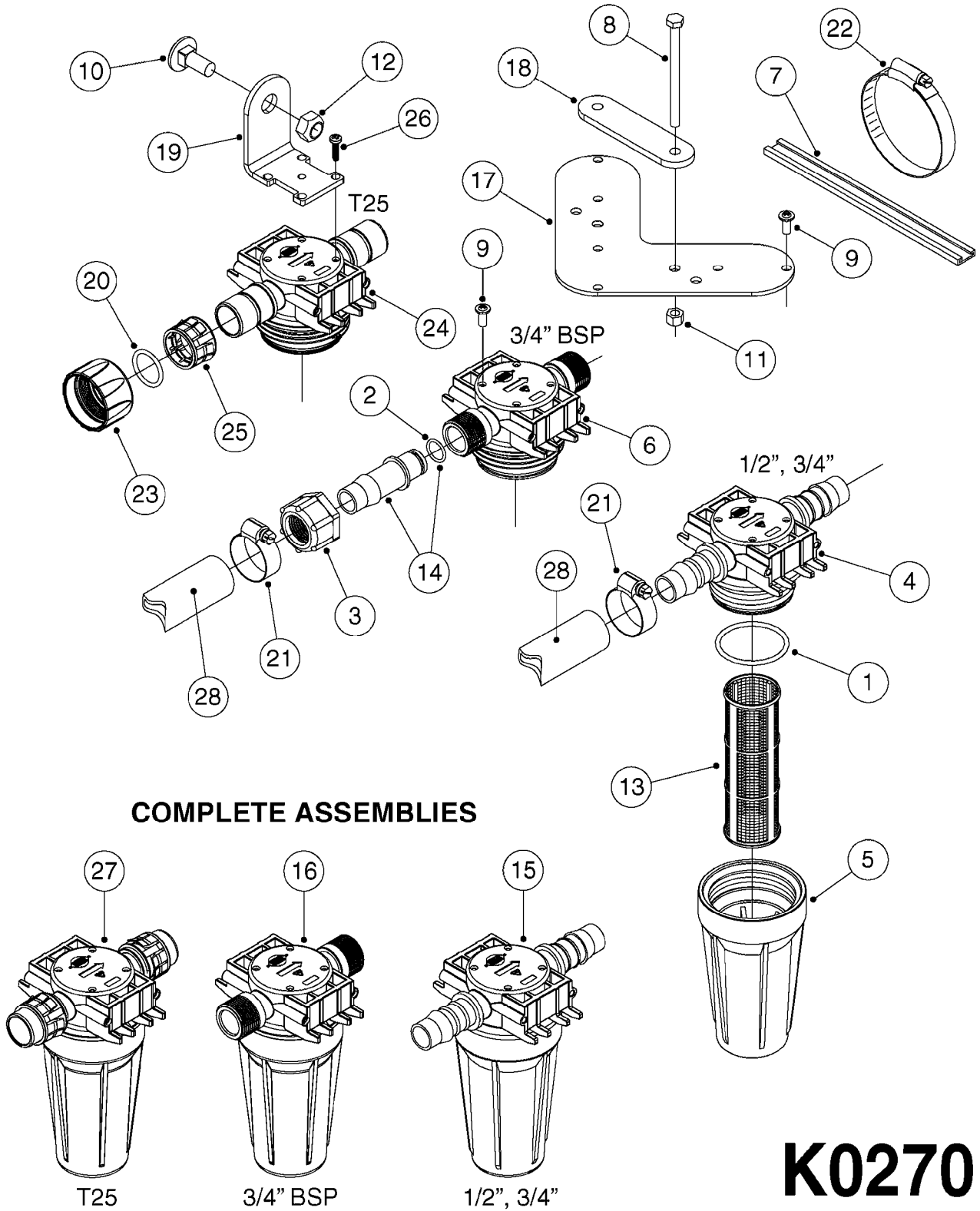
K0260



ELECTRIC END NOZZLE KIT '12
K0260-HIN, 01:01:16

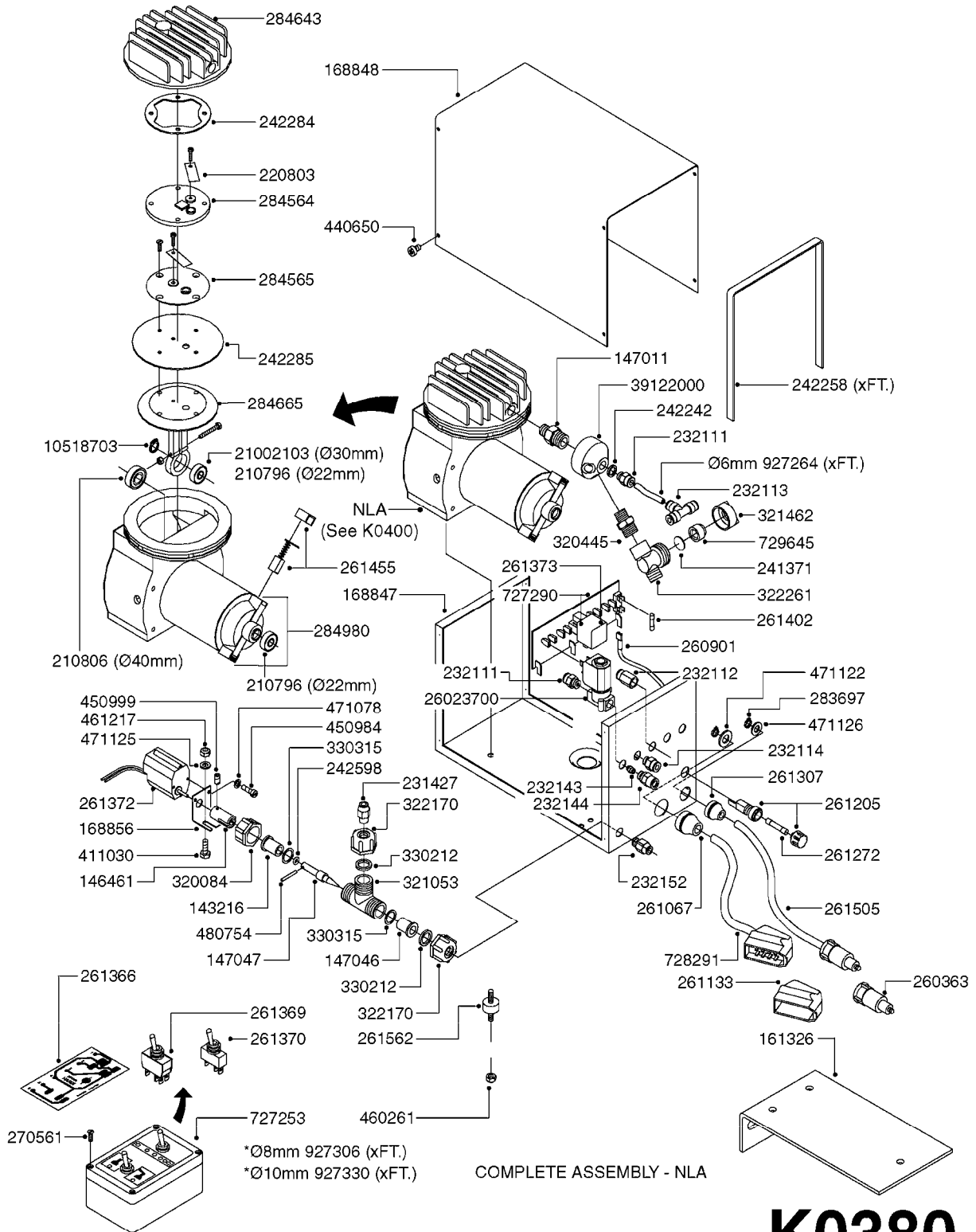
Page 1
Date 04.11.2017 13:05

| Pos. | parts-n° | order qty | description |
|------|----------|-----------|-----------------------------------|
| 1 | 145994 | 1 | FITT.DK S-40 FORK |
| 2 | 145995 | 1 | FITT.DK S-53 FORK |
| 3 | 240177 | 1 | O-RING D16.1/11.3 X 2.4 |
| 4 | 242354 | 1 | O-RING D32.2X3.0 VITON F.S-53 |
| 5 | 242355 | 1 | O-RING D19.2X3.0 VITON F.S-40 |
| 6 | 242594 | 1 | O-RING D14 X 1.78 SCH.70-EPDM |
| 7 | 261539 | 1 | SPADE F.ELEC CONNec BLUE INSUL |
| 8 | 262104 | 1 | VALVE, SOLENOID, S53/S40 |
| 9 | 320084 | 1 | FITT.DK NUT 1/2" BSP |
| 10 | 320187 | 1 | FITT.DK CAP 3/8" BSP BLACK |
| 11 | 320283 | 1 | FITT.DK NUT 3/4"BSP |
| 12 | 320596 | 1 | FITT.DK ELB 3/8'-1/2'BSP 45DEG |
| 13 | 321307 | 1 | FITT.DK NUT 1/2" BSP JAMB |
| 14 | 321742 | 1 | FITT.DK BULKHEAD 1/2' BSP |
| 15 | 322103 | 1 | FITT.DK S-53 BULKHEAD |
| 16 | 322352 | 1 | FITT.DK S-53 TEE |
| 17 | 330212 | 1 | O-RING D19/D14X2.4 F.1/2"NUT |
| 18 | 330687 | 1 | FITT.DK HB 1/2" F. 1/2" NUT |
| 19 | 334965 | 1 | COVER FOR S53 SOLENOID VALVE |
| 20 | 370366 | 1 | NOZZLE END FAN 1850-G 150 |
| 21 | 410185 | 1 | BOLT HEX 8.8 DEL M6X16 |
| 22 | 460261 | 1 | NUT HEX M6X1.00 LOCK DIN985 A2 SS |
| 23 | 471125 | 1 | WASHER M6U 6.4X14X1.2,A2 SS |
| 24 | 614366 | 1 | FILTER 50 MESH F.NOZZLE BLUE |
| 24 | 614367 | 1 | FILTER 80 MESH F.NOZZLE RED |
| 24 | 614368 | 1 | FILTER 100 MESH F.NOZZLE YEL. |
| 25 | 720856 | 1 | FITT.DK 1/2'BSP ASSY.F.3/4'NUT |
| 26 | 726558 | 1 | FITT.DK S53 STR. 3/4" W.ORING |
| 27 | 726567 | 1 | FITT.DK S-40 ELB.1/2" W.ORING |
| 28 | 726694 | 1 | PLUG,S53,1/2"FBSP THD W.ORING |
| 29 | 729610 | 1 | NOZZLE ASSY. NON DRIP 3/8 THRD |
| 30 | 750722 | 1 | REPAIR KIT FOR 3S SC CONTROL |
| 31 | 983087 | 1 | ELEC. CABLE 2 WIRE X 0.75MM |
| 32 | 16180100 | 1 | PLATE, END ROW NOZZLE |
| 33 | 28025203 | 1 | TIE STRAP L=23" x W=1/2" |
| 34 | 28029803 | 1 | CLAMP HOSE GEAR P1/2" 6708 |
| 35 | 28029903 | 1 | CLAMP HOSE GEAR P3/4"-S1" 6712 |
| 36 | 92702103 | 1 | HOSE R X1/2" X300PSI WP X0012" |





| Pos. | parts-n° | order qty | description |
|------|----------|-----------|-----------------------------------|
| 1 | 240925 | 1 | O-RING D49.5X3 NITRIL |
| 2 | 242594 | 1 | O-RING D14 X 1.78 SCH.70-EPDM |
| 3 | 320283 | 1 | FITT.DK NUT 3/4"BSP |
| 4 | 322241 | 1 | FILTER HOUSING W.3/4' BARBS |
| 4 | 322249 | 1 | FILTER HOUSING W.1/2' BARBS |
| 5 | 322242 | 1 | FILTER BOWL / IN-LINE |
| 6 | 322250 | 1 | FILTER HOUSING W.3/4"BSP THRD |
| 7 | 341291 | 1 | RUBBER HOSE CLAMP COVER 130MM |
| 7 | 341292 | 1 | RUBBER HOSE CLAMP COVER 180MM |
| 8 | 410605 | 1 | BOLT HEX 8.8 DEL M6X80 |
| 9 | 440673 | 1 | SCREW F.PLASTIC 5X12 SS |
| 10 | 440737 | 1 | BOLT CARRIAGE M10x25 SS |
| 11 | 460261 | 1 | NUT HEX M6X1.00 LOCK DIN985 A2 SS |
| 12 | 460423 | 1 | NUT HEX M10X1.50 LOCK DIN985A2 SS |
| 13 | 615443 | 1 | FILTER ELEM.50 MESH BLUE |
| 13 | 615444 | 1 | FILTER ELEM.80 MESH RED |
| 13 | 615445 | 1 | FILTER ELEM.100 MESH YELLOW |
| 14 | 716236 | 1 | FITT.DK HB 1/2" ASSY. F. 3/4" |
| 14 | 724621 | 1 | FITT.DK HB 3/4"ASSY F.3/4" NUT |
| 15 | 845205 | 1 | FILTER IN-LINE 1/2' 50 MESH |
| 15 | 845208 | 1 | FILTER IN-LINE 3/4' 50 MESH |
| 15 | 845209 | 1 | FILTER IN-LINE 3/4' 80 MESH |
| 15 | 845210 | 1 | FILTER IN-LINE 3/4" 100 MESH |
| 16 | 845218 | 1 | FILTER IN-LINE 3/4'50 MESH OML |
| 16 | 845219 | 1 | FILTER IN-LINE 3/4'80 MESH OML |
| 17 | 16022203 | 1 | PLATE 3.0 X 55 X 196 |
| 18 | 16022403 | 1 | BRACKET 60MM TUBE |
| 19 | 16321500 | 1 | LINE FILTER BRACKET, TDZ/DDZ |
| 20 | 24263000 | 1 | O-RING Ø24.4 X 3.1 NITRIL SH70 |
| 21 | 28029903 | 1 | CLAMP HOSE GEAR P3/4"-S1" 6712 |
| 22 | 28047103 | 1 | CLAMP HOSE GEAR 50 X 50 6740 |
| 22 | 28047203 | 1 | CLAMP HOSE GEAR 60 X 80 6756 |
| 23 | 32239700 | 1 | FITT.DK NUT T25 |
| 24 | 32239800 | 1 | FITT.DK IN-LINE FILTER TOP T25 |
| 25 | 33515500 | 1 | FITT.DK NUT LOCK RING T25 |
| 26 | 44076200 | 1 | PT SCREW 50X16 |
| 27 | 72700600 | 1 | FILTER IN-LINE 80 MESH, T25 |
| 28 | 92702103 | 1 | HOSE R X1/2" X300PSI WP X0012" |
| 28 | 92703203 | 1 | HOSE R X3/4" X300PSI WP X0012" |



K0380



FOAM MARKER COMPRESSOR POST 94
K0380-HIN, 17:03:16

Page 1
Date 04.11.2017 13:05

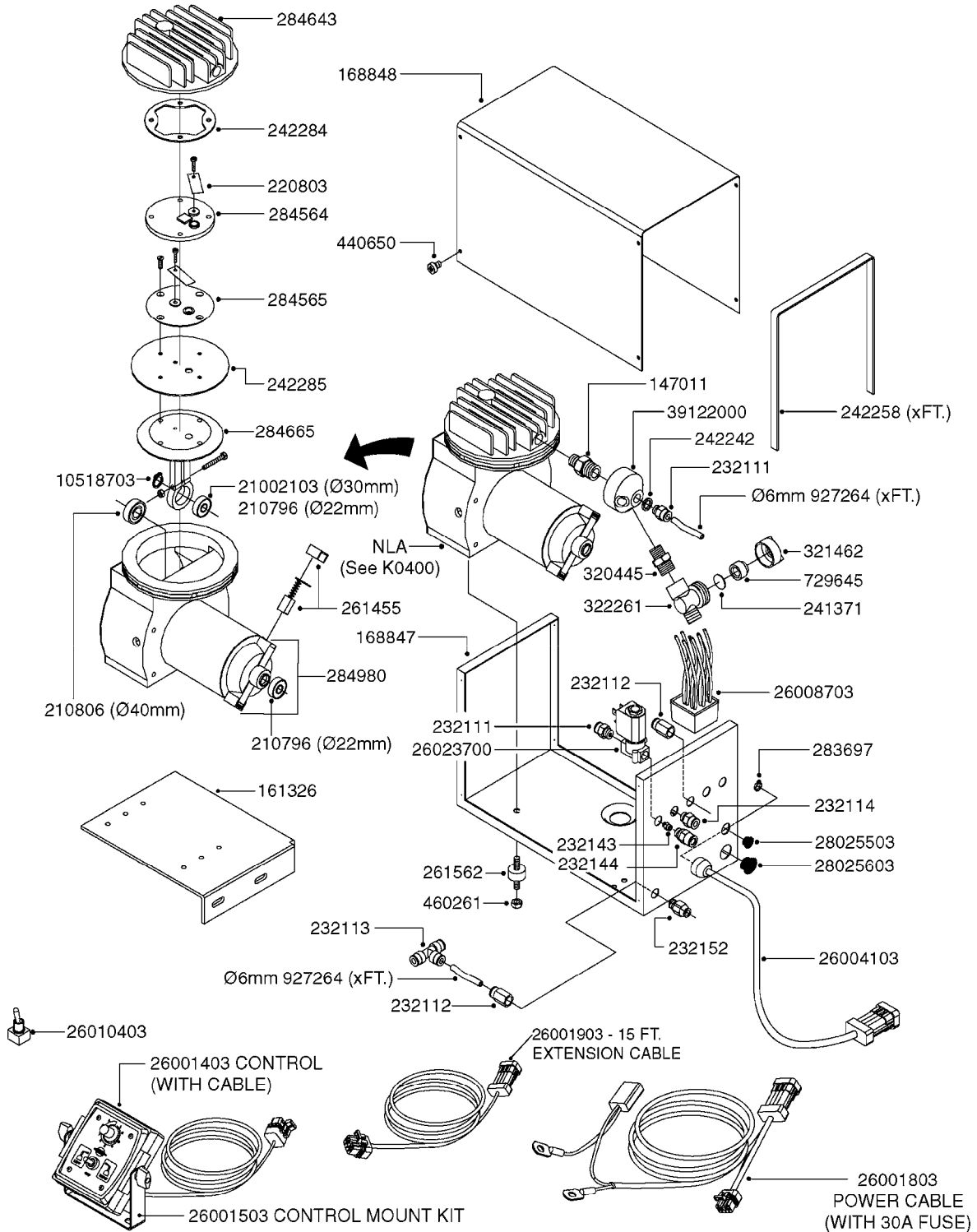
| parts-n° | order qty | description |
|----------|-----------|--------------------------------|
| 143216 | 1 | BUSHING THREAD F.FOAM MARKER |
| 146461 | 1 | COUPLER F.THROTTLE VALVE |
| 147011 | 1 | HEX NIPPLE 3/8'X1/4'BSP BRASS |
| 147046 | 1 | SEAT FOR THROTTLE VALVE |
| 147047 | 1 | SPINDLE FOR THROTTLE VALVE |
| 161326 | 1 | MOUNT BKT. F. FOAM COMP.BOX 98 |
| 168847 | 1 | ENCLOSURE LOWER F.MARKER |
| 168848 | 1 | COVER F. FOAM MARKER |
| 168856 | 1 | MOUNT FOR GEAR MOTOR |
| 210796 | 1 | BEARING BALL D22/D8 X 7 608ZZ |
| 210806 | 1 | BEARING BALL D40/D17X12MM |
| 220803 | 1 | VALVE F. COMPRESSOR |
| 231427 | 1 | COUPLER 1/8'THREAD X6MM HOSE |
| 232111 | 1 | QUICK COUPLER 6MM X 1/8 EXT. |
| 232112 | 1 | QUICK COUPLER 6MM 1/8 INT. |
| 232113 | 1 | QUICK COUPLER 6MM T-PIECE |
| 232114 | 1 | COUPLER 1/8" THREADX8MM HOSE |
| 232143 | 1 | REDUCER 1/4'INT-1/8'EXT |
| 232144 | 1 | QUICK COUPLER 10MM X 1/4 EXT |
| 232152 | 1 | QUICK COUPLER 8MMX1/8 EXT.LONG |
| 241371 | 1 | DIAPHRAGM, NO-DRIP alt 241371 |
| 242242 | 1 | O-RING F.AIR HOSE FITTING |
| 242258 | 1 | TRIM 3X10 SELF ADHESIVE 0012" |
| 242284 | 1 | HEAD GASKET F. COMPRESSOR |
| 242285 | 1 | DIAPHRAGM F. F/M COMP. |
| 242598 | 1 | O-RING D7.0 X 2.5 NITRIL |
| 260363 | 1 | PLUG 2 POLE 12V |
| 260901 | 1 | SPADE F.ELEC CONN.1.5MM BLUE |
| 261067 | 1 | GROMMET 10-14 GREY |
| 261133 | 1 | PLUG HOUSING F.8 POLE PLUG |
| 261205 | 1 | FUSE HOLDER |
| 261272 | 1 | FUSE 10A D6X32 MM |
| 261307 | 1 | GROMMET 7-10 BLACK |
| 261366 | 1 | CIRCUIT BOARD F.F/M CONTROL |
| 261369 | 1 | SWITCH 2 WAY 12V SPRING RETURN |
| 261370 | 1 | SWITCH 2 WAY 12V |
| 261372 | 1 | GEAR MOTOR BOSCH 13RPM |
| 261373 | 1 | RELAY 12V/30W |
| 261402 | 1 | FUSE 3.15A SLOW BURN |
| 261455 | 1 | BRUSH KIT-FOAM MARKER MOTOR |
| 261505 | 1 | CABLE 2X4MM L8000MM |
| 261562 | 1 | RUBBER DAMPER 2XM6X25 |
| 270561 | 1 | SCREW W/SPRING ASSY. (QTY 1) |
| 283697 | 1 | TIESTRAP 200MM |
| 284564 | 1 | PLATE F.COMPRESSOR HEAD |
| 284565 | 1 | PLATE F.COMPRESSOR HEAD |
| 284643 | 1 | COMPRESSOR HEAD F.FOAM MARKER |
| 284665 | 1 | CONNECTING ROD F.COMPRESSOR |
| 284980 | 1 | FLANGE REAR F. F.M.COMPRESSOR |
| 320084 | 1 | FITT.DK NUT 1/2" BSP |
| 320445 | 1 | FITT.DK HN 1/4"X3/8" BSP |
| 321053 | 1 | FITT.DK TEE 1/2 X1/2 X1/2" BSP |
| 321462 | 1 | CAP F.NO-DRIP ASSY. |
| 322170 | 1 | FITT.DK NUT 1/2"x 1/8"F BSP |
| 322261 | 1 | HOUSING F.SAFETY VALVE 3/8" |
| 330212 | 1 | O-RING D19/D14X2.4 F.1/2"NUT |
| 330315 | 1 | O-RING D18.4/D13X.6 |
| 411030 | 1 | BOLT HEX M5X10 |
| 440650 | 1 | SCREW 3.5x13 STAINLESS |
| 450984 | 1 | BOLT HEX M2.5X8 SLOTTED |
| 450999 | 1 | SCREW SET M3X8 |



FOAM MARKER COMPRESSOR POST 94
K0380-HIN, 17:03:16

Page 2
Date 04.11.2017 13:05

| parts-n° | order qty | description |
|----------|-----------|-----------------------------------|
| 460261 | 1 | NUT HEX M6X1.00 LOCK DIN985 A2 SS |
| 461217 | 1 | NUT HEX M5 LOCK |
| 471078 | 1 | WASHER D2.7/D5 |
| 471122 | 1 | WASHER, M10, Ø20/10.5X 2.0, SS |
| 471125 | 1 | WASHER M6U 6.4X14X1.2,A2 SS |
| 471126 | 1 | WASHER, M8, Ø16/ 8.4X 1.6, SS |
| 480754 | 1 | PIN D2 X 16 |
| 727253 | 1 | CONTROL BOX FOR FOAM MARKER |
| 727290 | 1 | CIRCUIT BOARD F. F-M W. RELAY |
| 728291 | 1 | CABLE 7x.5 L8000MM+8 POL.CONN. |
| 729645 | 1 | NON-DRIP SPRING ASSY.GREEN 10 |
| 927264 | 1 | HOSE R X PE D6/D4 X 0012" |
| 927306 | 1 | HOSE R X PE D8/D6 X 0012"BLACK |
| 927330 | 1 | HOSE R X PE D10/D8 X 012"BLACK |
| 10518703 | 1 | SNAP-RING OUTER 8X1 |
| 21002103 | 1 | BEARING, 6200 2ZJEM (SKF) |
| 26023700 | 1 | SOLENOID VAL 12V 1/8' FLO '07 |
| 39122000 | 1 | DISTR.HOUSING F.FOAM MARKER'07 |



K0390

*Ø8mm 927306 (xFT.)
*Ø10mm 927330 (xFT.)

70019403 - COMPLETE ASSEMBLY

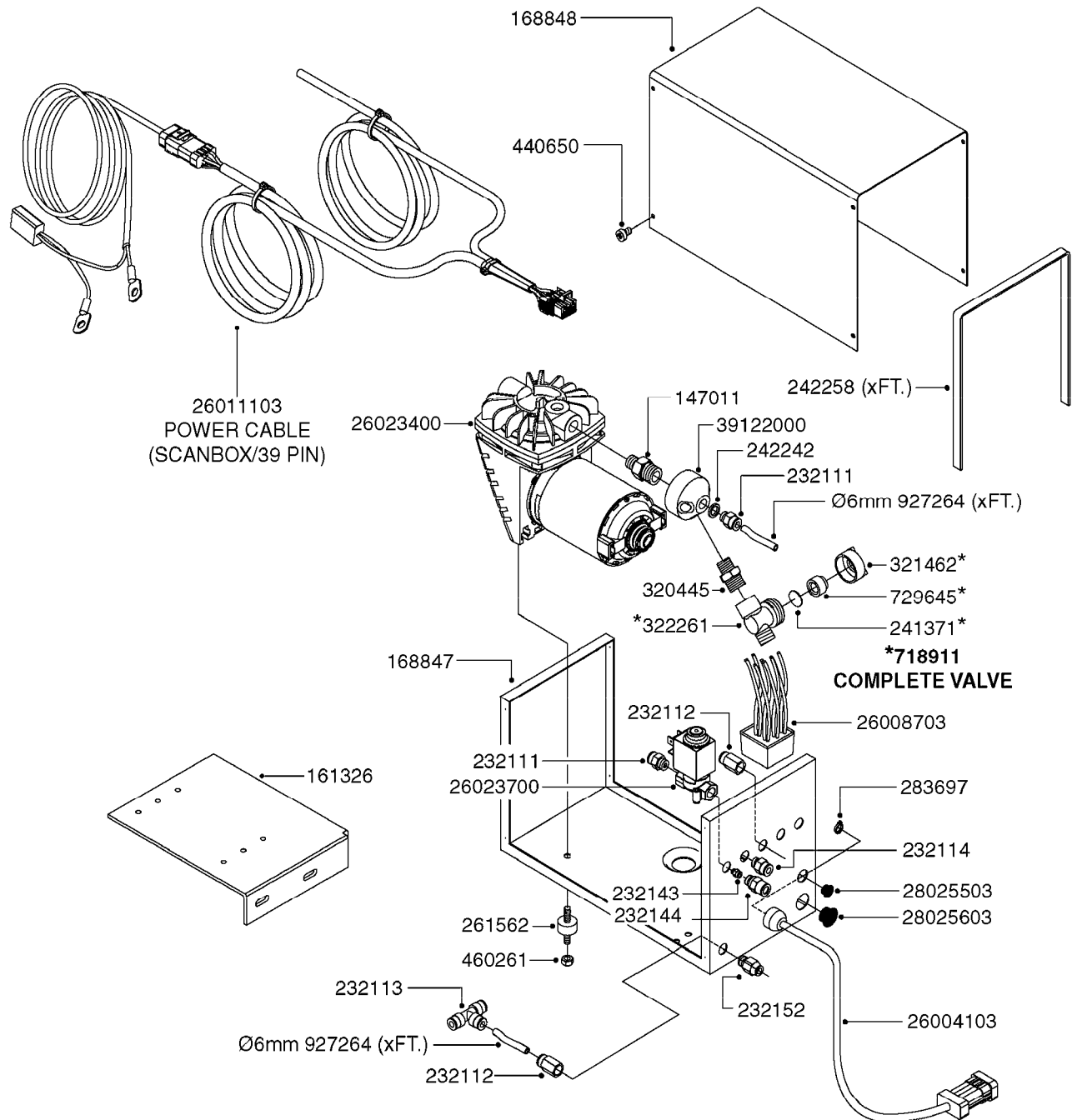


FOAM MARKER COMPRESSOR 2002
K0390-HIN, 01:01:16

Page 1

Date 04.11.2017 13:05

| parts-n° | order qty | description |
|----------|-----------|-----------------------------------|
| 147011 | 1 | HEX NIPPLE 3/8'X1/4'BSP BRASS |
| 161326 | 1 | MOUNT BKT. F. FOAM COMP.BOX 98 |
| 168847 | 1 | ENCLOSURE LOWER F.MARKER |
| 168848 | 1 | COVER F. FOAM MARKER |
| 210796 | 1 | BEARING BALL D22/D8 X 7 608ZZ |
| 210806 | 1 | BEARING BALL D40/D17X12MM |
| 220803 | 1 | VALVE F. COMPRESSOR |
| 232111 | 1 | QUICK COUPLER 6MM X 1/8 EXT. |
| 232112 | 1 | QUICK COUPLER 6MM 1/8 INT. |
| 232113 | 1 | QUICK COUPLER 6MM T-PIECE |
| 232114 | 1 | COUPLER 1/8" THREADX8MM HOSE |
| 232143 | 1 | REDUCER 1/4'INT-1/8'EXT |
| 232144 | 1 | QUICK COUPLER 10MM X 1/4 EXT |
| 232152 | 1 | QUICK COUPLER 8MMX1/8 EXT.LONG |
| 241371 | 1 | DIAPHRAGM, NO-DRIP alt 241371 |
| 242242 | 1 | O-RING F.AIR HOSE FITTING |
| 242258 | 1 | TRIM 3X10 SELF ADHESIVE 0012" |
| 242284 | 1 | HEAD GASKET F. COMPRESSOR |
| 242285 | 1 | DIAPHRAGM F. F/M COMP. |
| 261455 | 1 | BRUSH KIT-FOAM MARKER MOTOR |
| 261562 | 1 | RUBBER DAMPER 2XM6X25 |
| 283697 | 1 | TIESTRAP 200MM |
| 284564 | 1 | PLATE F.COMPRESSOR HEAD |
| 284565 | 1 | PLATE F.COMPRESSOR HEAD |
| 284643 | 1 | COMPRESSOR HEAD F.FOAM MARKER |
| 284665 | 1 | CONNECTING ROD F.COMPRESSOR |
| 284980 | 1 | FLANGE REAR F. F.M.COMPRESSOR |
| 320445 | 1 | FITT.DK HN 1/4"X3/8" BSP |
| 321462 | 1 | CAP F.NO-DRIP ASSY. |
| 322261 | 1 | HOUSING F.SAFETY VALVE 3/8" |
| 440650 | 1 | SCREW 3.5x13 STAINLESS |
| 460261 | 1 | NUT HEX M6X1.00 LOCK DIN985 A2 SS |
| 729645 | 1 | NON-DRIP SPRING ASSY.GREEN 10 |
| 927264 | 1 | HOSE R X PE D6/D4 X 0012" |
| 927306 | 1 | HOSE R X PE D8/D6 X 0012"BLACK |
| 927330 | 1 | HOSE R X PE D10/D8 X 012"BLACK |
| 10518703 | 1 | SNAP-RING OUTER 8X1 |
| 21002103 | 1 | BEARING, 6200 2ZJEM (SKF) |
| 26001403 | 1 | HC FOAM MARKR CONSOLE VS3.0.00 |
| 26001503 | 1 | HC FOAM MARKER CONSOLE MT.KIT |
| 26001803 | 1 | POWER CABLE |
| 26001903 | 1 | 15' 7-PIN EXTENSION CABLE |
| 26004103 | 1 | FOAM MARKER CNTRL MOD CABL STD |
| 26008703 | 1 | FOAM MARKER CONTROL SCII |
| 26010403 | 1 | TOGGLE SWITCH MICRO-TRAK F.M. |
| 26023700 | 1 | SOLENOID VAL 12V 1/8' FLO '07 |
| 28025503 | 1 | PLUG F.DRILLED HOLE 1/2" |
| 28025603 | 1 | PLUG F.DRILLED HOLE 3/4" |
| 39122000 | 1 | DISTR.HOUSING F.FOAM MARKER'07 |
| 70019403 | 1 | FOAM MARKER COMPRESSOR KIT STD |



K0400

*Ø8mm 927306 (xFT.)
*Ø10mm 927330 (xFT.)

70062503 - COMPLETE ASSEMBLY



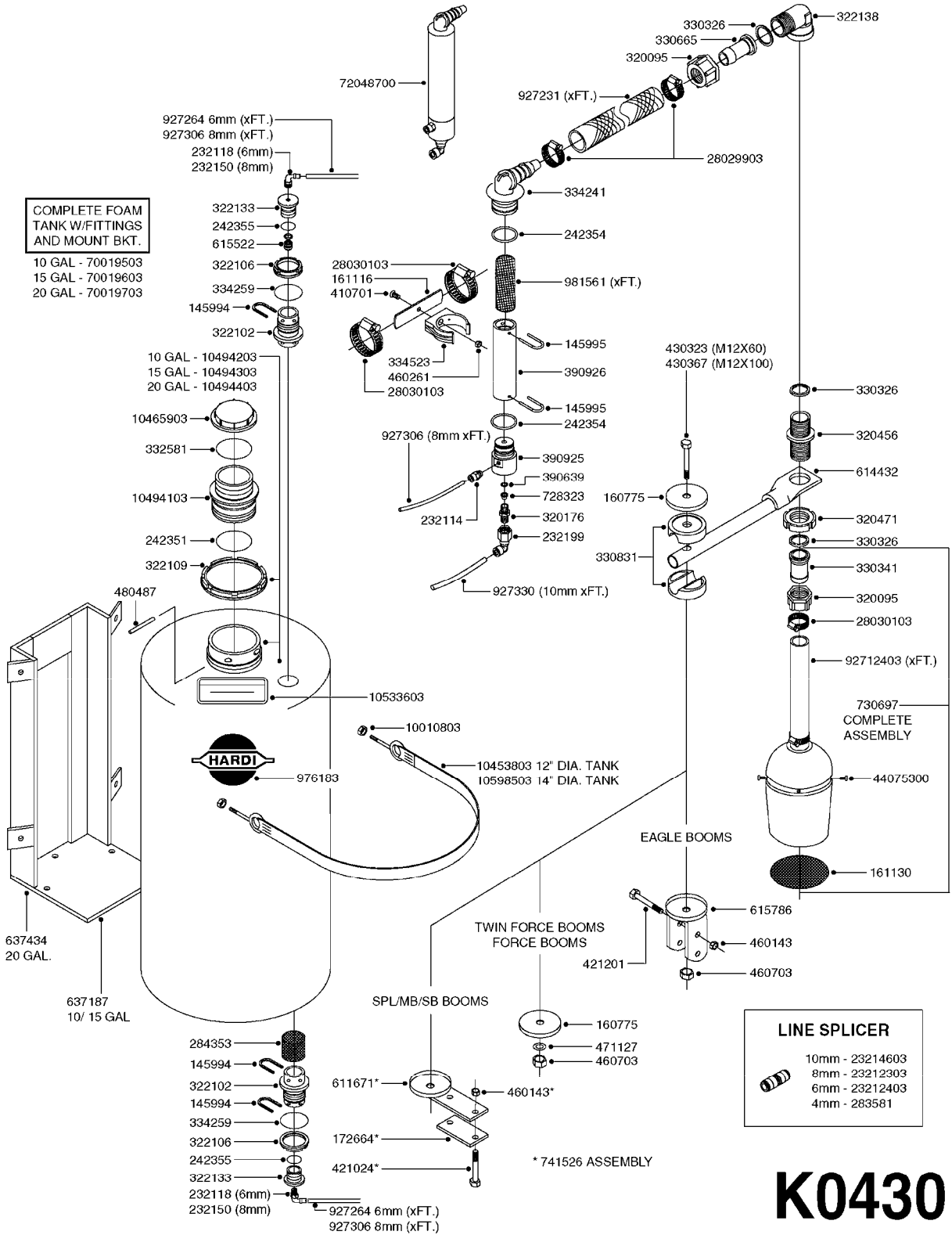
FOAM MARKER COMPRESSOR 2007
K0400-HIN, 01:01:16

Page 1
Date 04.11.2017 13:05

| parts-n° | order qty | description |
|----------|-----------|-----------------------------------|
| 147011 | 1 | HEX NIPPLE 3/8'X1/4'BSP BRASS |
| 161326 | 1 | MOUNT BKT. F. FOAM COMP.BOX 98 |
| 168847 | 1 | ENCLOSURE LOWER F.MARKER |
| 168848 | 1 | COVER F. FOAM MARKER |
| 232111 | 1 | QUICK COUPLER 6MM X 1/8 EXT. |
| 232112 | 1 | QUICK COUPLER 6MM 1/8 INT. |
| 232113 | 1 | QUICK COUPLER 6MM T-PIECE |
| 232114 | 1 | COUPLER 1/8" THREADX8MM HOSE |
| 232143 | 1 | REDUCER 1/4'INT-1/8'EXT |
| 232144 | 1 | QUICK COUPLER 10MM X 1/4 EXT |
| 232152 | 1 | QUICK COUPLER 8MMX1/8 EXT.LONG |
| 241371 | 1 | DIAPHRAGM, NO-DRIP alt 241371 |
| 242242 | 1 | O-RING F.AIR HOSE FITTING |
| 242258 | 1 | TRIM 3X10 SELF ADHESIVE 0012" |
| 261562 | 1 | RUBBER DAMPER 2XM6X25 |
| 283697 | 1 | TIESTRAP 200MM |
| 320445 | 1 | FITT.DK HN 1/4"X3/8" BSP |
| 321462 | 1 | CAP F.NO-DRIP ASSY. |
| 322261 | 1 | HOUSING F.SAFETY VALVE 3/8" |
| 440650 | 1 | SCREW 3.5x13 STAINLESS |
| 460261 | 1 | NUT HEX M6X1.00 LOCK DIN985 A2 SS |
| 718911 | 1 | VALVE (SAFETY) F.MARKER |
| 729645 | 1 | NON-DRIP SPRING ASSY.GREEN 10 |
| 927264 | 1 | HOSE R X PE D6/D4 X 0012" |
| 927306 | 1 | HOSE R X PE D8/D6 X 0012"BLACK |
| 927330 | 1 | HOSE R X PE D10/D8 X 012"BLACK |
| 26004103 | 1 | FOAM MARKER CNTRL MOD CABL STD |
| 26008703 | 1 | FOAM MARKER CONTROL SCII |
| 26011103 | 1 | FOAMER POWER/CONTROL CABLE 39P |
| 26023400 | 1 | COMPRESSOR F.FOAM MARKER CM40 |
| 26023700 | 1 | SOLENOID VAL 12V 1/8' FLO '07 |
| 28025503 | 1 | PLUG F.DRILLED HOLE 1/2" |
| 28025603 | 1 | PLUG F.DRILLED HOLE 3/4" |
| 39122000 | 1 | DISTR.HOUSING F.FOAM MARKER'07 |
| 70062503 | 1 | FOAM MARKER COMPRESSOR,STD,39P |



COMPLETE FOAM TANK W/FITTINGS AND MOUNT BKT.
10 GAL - 70019503
15 GAL - 70019603
20 GAL - 70019703



K0430



FOAMMARKER TANK/DROPPER 2000
K0430-HIN, 11:04:16

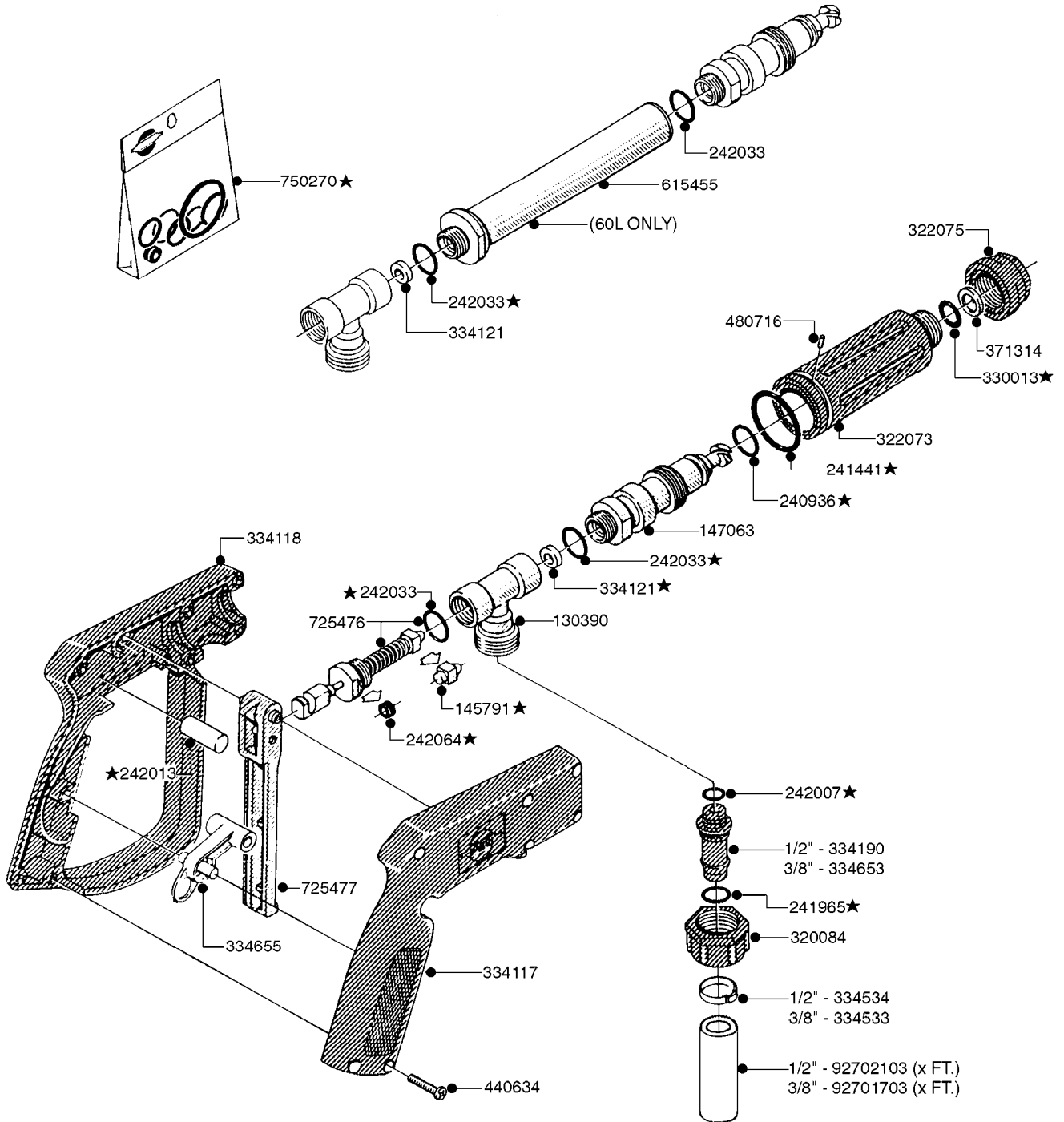
| parts-n° | order qty | description |
|----------|-----------|-----------------------------------|
| 145994 | 1 | FITT.DK S-40 FORK |
| 145995 | 1 | FITT.DK S-53 FORK |
| 160775 | 1 | WASHER F. FRICTION PLATE |
| 161116 | 1 | FLATBAR PLATE 3 X 25 X 110 |
| 161130 | 1 | FILTER SCREEN F/FOAM DROPPER |
| 172664 | 1 | FLATBAR BACKING PLATE |
| 232114 | 1 | COUPLER 1/8" THREADX8MM HOSE |
| 232118 | 1 | HOSE CONN. 90DEG 1/8'X 6MM PE |
| 232150 | 1 | HOSE CONN. 90DEG. 1/8'X8MM PE |
| 232199 | 1 | COUPLER 3/8' BSP-90/10MM HOSE |
| 242351 | 1 | O-RING D69.5X3.0 VITON F.S-93 |
| 242354 | 1 | O-RING D32.2X3.0 VITON F.S-53 |
| 242355 | 1 | O-RING D19.2X3.0 VITON F.S-40 |
| 283581 | 1 | HOSE CONNECTOR STR. F.4MM PE |
| 284353 | 1 | SPONGE FOR FOAM MARKER |
| 320095 | 1 | FITT.DK NUT 1" BSP |
| 320176 | 1 | FITT.DK HN 3/8"X1/2" BSP |
| 320456 | 1 | FITT.DK BULKHEAD 1"BSP DOUBLE |
| 320471 | 1 | FITT.DK NUT 1" BSP JAMB |
| 322102 | 1 | FITT.DK S-40 BULKHEAD |
| 322106 | 1 | FITT.DK S-40 BULKHEAD NUT |
| 322109 | 1 | FITT.DK S-93 BULKHEAD NUT |
| 322133 | 1 | FITT.DK S-40 PLUG W 1/8 THREAD |
| 322138 | 1 | FITT.DK ELB 1"M X 1"F BSP |
| 330326 | 1 | O-RING D30/D24X2 F.1"NUT |
| 330341 | 1 | FITT.DK HB 1" F. 1" NUT |
| 330665 | 1 | 3/4' HOSE TAIL F/1' CAP |
| 330831 | 1 | FRICTION PLATE |
| 332581 | 1 | GASKET F. 1-1/2" BSP CAPNUT. |
| 334241 | 1 | FITT.DK S-53 ELB.3/4" |
| 334259 | 1 | GASKET F. S-40 BULKHEAD |
| 334523 | 1 | PIPE HOLDER D51.5 |
| 390639 | 1 | O-RING F.NOZZLE FILTER |
| 390925 | 1 | FITTING F.FOAM MIX.CHAMB. STD |
| 390926 | 1 | TUBE,MIX CHAMB. FOAM MARK STD |
| 410701 | 1 | SCREW M6X16 GALV. |
| 421024 | 1 | BOLT HEX 8.8 DEL M8X60 |
| 421201 | 1 | BOLT HEX 8.8 DEL M8X70 |
| 430323 | 1 | BOLT HEX 8.8 DEL M12X60 |
| 430367 | 1 | BOLT M12X100 DIN931-8.8 DEL |
| 460143 | 1 | NUT HEX M8X1.25 LOCK DIN985A2 SS |
| 460261 | 1 | NUT HEX M6X1.00 LOCK DIN985 A2 SS |
| 460703 | 1 | NUT HEX M12X1.75 LOCK DIN985A2 SS |
| 471127 | 1 | WASHER Z12N 13X24X2,5 RST |
| 480487 | 1 | PIN M5X60 SLOTTED GALV |
| 611671 | 1 | BREAK AWAY HOLDER F-MARKER |
| 614432 | 1 | BREAK AWAY ARM F. FOAM MARKER |
| 615522 | 1 | CHECK VALVE F.FOAM MARKER |
| 615786 | 1 | MOUNT BKT. F.FOAM DROPPER 98 |
| 637187 | 1 | MOUNT BKT F.FOAM TANK 10/15GAL |
| 637434 | 1 | MOUNT BRACKET F.FOAM TANK 20G |
| 728323 | 1 | VALVE NON-RETURN |
| 730697 | 1 | FOAM DROPPER COMP. BLACK '97 |
| 741526 | 1 | FOAM DROPPER MT. KIT MB-SPL |
| 927231 | 1 | HOSE R X PVCX3/4 CLR/BRD 0012" |
| 927264 | 1 | HOSE R X PE D6/D4 X 0012" |
| 927306 | 1 | HOSE R X PE D8/D6 X 0012"BLACK |
| 927330 | 1 | HOSE R X PE D10/D8 X 012"BLACK |
| 976183 | 1 | DECAL COMPANY D.18,2 X 29,6 |
| 981561 | 1 | SPONGE MAT. MIX.CHAMBER-x0012" |
| 10010803 | 1 | NUT HEX NC (NYLON LOCK) 5/16 |



FOAMMARKER TANK/DROPPER 2000
K0430-HIN, 11:04:16

Page 2
Date 04.11.2017 13:05

| parts-n° | order qty | description |
|----------|-----------|--------------------------------|
| 10453803 | 1 | STRAP F.FOAMER TANK (755mm) |
| 10465903 | 1 | *LID F.FOAM MARKER, DRILLED |
| 10494103 | 1 | FILL WELL ASSY.FOAM MARK EPOXY |
| 10494203 | 1 | TANK ASSY. 10 GAL. D14' F/M |
| 10494303 | 1 | TANK ASSY. 15 GAL. D14'F/M |
| 10494403 | 1 | *TANK ASSY. 20 GAL. D14'F/M |
| 10533603 | 1 | DECAL CAUTION-OPEN SLOWLY ENG |
| 10598503 | 1 | STRAP F.FOAMER TANK (850mm) |
| 23212303 | 1 | HOSE CONNECTOR STR. F.8MM PE |
| 23212403 | 1 | HOSE CONNECTOR STR. F.6MM PE |
| 23214603 | 1 | HOSE CONNECTOR STR. F. 10MM PE |
| 28029903 | 1 | CLAMP HOSE GEAR P3/4"-S1" 6712 |
| 28030103 | 1 | CLAMP HOSE GEAR P5/4-S1.5"6724 |
| 44075300 | 1 | SCREW 3.5X9.5SS/X15 ISO 14585C |
| 70019503 | 1 | FOAM MARKER TANK KIT STD 10G |
| 70019603 | 1 | FOAM MARKER TANK KIT STD 15G |
| 70019703 | 1 | FOAM MARKER TANK KIT STD 20G |
| 72048700 | 1 | MIXING CHAMBER,FOAM MARK. STD |
| 92712403 | 1 | HOSE R X1" X300PSI WP X0012" |



COMPLETE ASSEMBLY:
843197 - 60L
843196 - 60S

COMPLETE ASSEMBLIES
WHOLEGOODS ITEMS

K0480

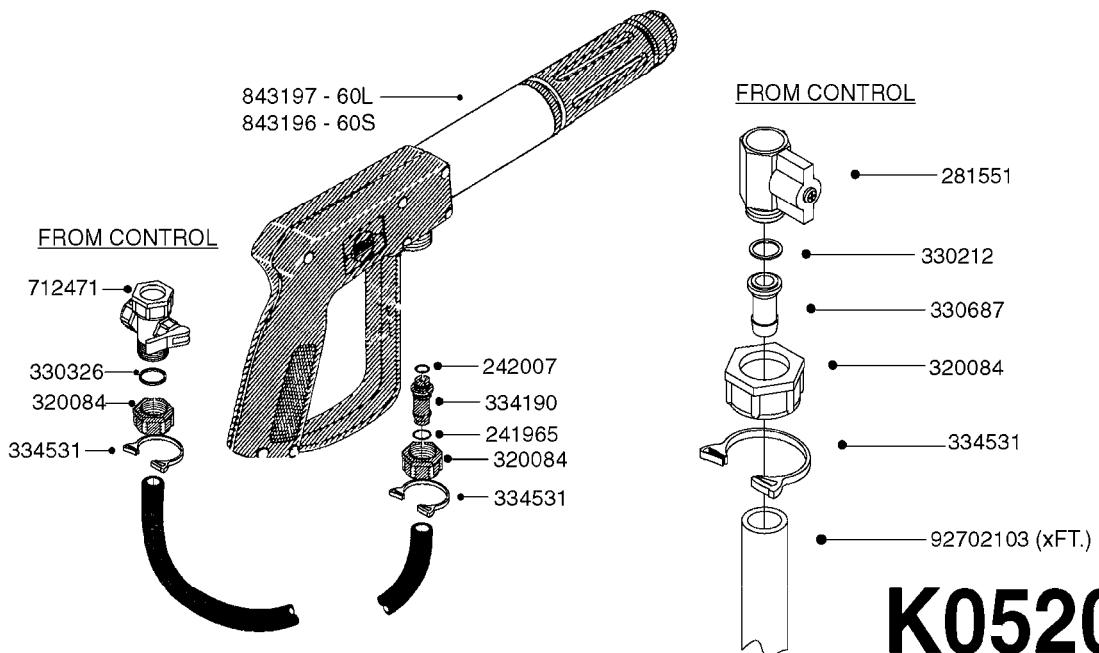
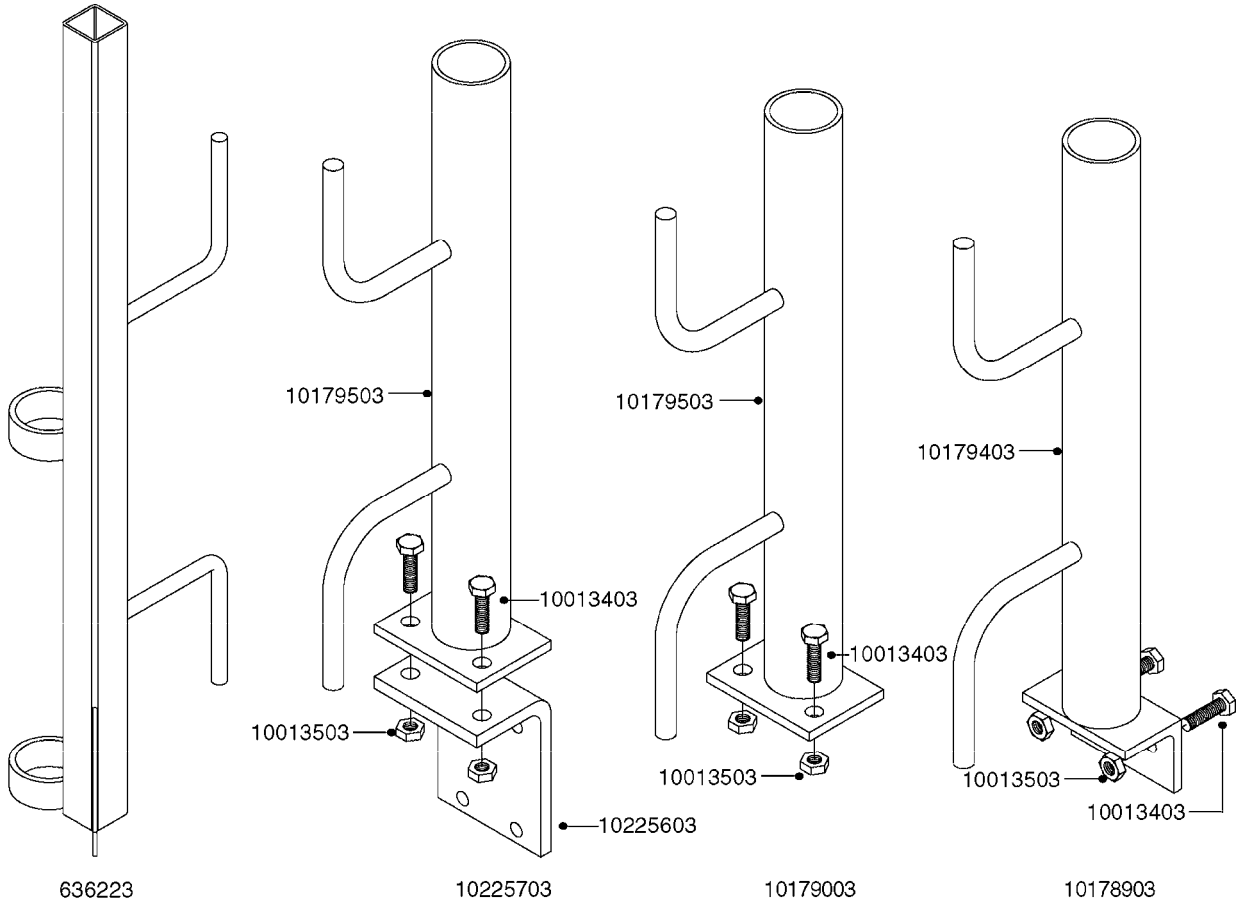


HANDGUN TYPE 60S/60L POST 95
K0480-HIN, 01:01:16

Page 1

Date 04.11.2017 13:05

| parts-n° | order qty | description |
|----------|-----------|--------------------------------|
| 130390 | 1 | TEE 3/8'X 1/2' BSP F.TYPE 60S |
| 145791 | 1 | CONE FOR ON/OFF |
| 147063 | 1 | SWIRL F.SPRAY GUN TYPE 60 |
| 240936 | 1 | O-RING D13.3X2.4 NITRIL |
| 241441 | 1 | O-RING D29.3X3 |
| 241965 | 1 | O-RING 12.1 X 1.6 |
| 242007 | 1 | O-RING D9.1X1.6 |
| 242013 | 1 | SPRING RUBBER F/TRIGGER |
| 242033 | 1 | O-RING |
| 242064 | 1 | SLEEVE RUBBER 3X8X4MM |
| 320084 | 1 | FITT.DK NUT 1/2" BSP |
| 322073 | 1 | HOUSING F.SWIRL TYPE 60S H.G. |
| 322075 | 1 | HOUSING F. NOZZLE |
| 330013 | 1 | O-RING D15/D10X2.5 F.3/8"NUT |
| 334117 | 1 | HANDLE PIECE RIGHT F.60S/60L |
| 334118 | 1 | HANDLE PIECE LEFT F.60S/60L |
| 334121 | 1 | SEAT FOR ON-OFF TYPE |
| 334190 | 1 | FITT.DK HB 1/2' F. PISTOL 60S |
| 334533 | 1 | CLAMP HOSE PLASTIC 3/8" |
| 334534 | 1 | CLAMP HOSE PLASTIC 1/2" |
| 334653 | 1 | FITT.DK HB 3/8' F.HANDGUN |
| 334655 | 1 | TRIGGER SAFETY F.60S/60L GUN |
| 371314 | 1 | NOZZLE CERAMIC 1099-20 |
| 440634 | 1 | SCREW 5/8" |
| 480716 | 1 | PIN D3X6 STAINLESS |
| 615455 | 1 | TUBE F.LANCE TYPE 60L |
| 725476 | 1 | SPINDLE |
| 725477 | 1 | TRIGGER |
| 750270 | 1 | GASKET KIT F.SPRAY GUN |
| 843196 | 1 | GUN, MODEL 60S |
| 843197 | 1 | HANDGUN KIT TYPE 60 LONG |
| 92701703 | 1 | HOSE R X3/8" X300PSI WP X0012" |
| 92702103 | 1 | HOSE R X1/2" X300PSI WP X0012" |

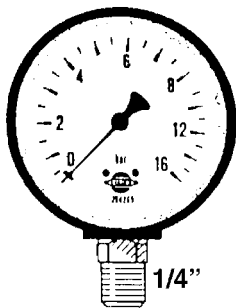




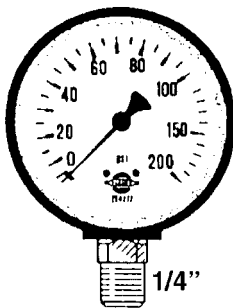
HOSE WRAPS
K0520-HIN, 01:01:16

Page 1
Date 04.11.2017 13:05

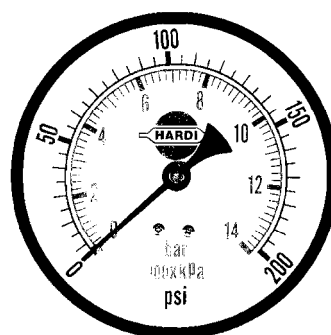
| parts-n° | order qty | description |
|----------|-----------|--------------------------------|
| 241965 | 1 | O-RING 12.1 X 1.6 |
| 242007 | 1 | O-RING D9.1X1.6 |
| 281551 | 1 | BALL VALVE 1/2" |
| 320084 | 1 | FITT.DK NUT 1/2" BSP |
| 330212 | 1 | O-RING D19/D14X2.4 F.1/2"NUT |
| 330326 | 1 | O-RING D30/D24X2 F.1"NUT |
| 330687 | 1 | FITT.DK HB 1/2" F. 1/2" NUT |
| 334190 | 1 | FITT.DK HB 1/2' F. PISTOL 60S |
| 334531 | 1 | CLAMP HOSE PLASTIC 3/4" |
| 636223 | 1 | POST 12 VOLT TR30 |
| 712471 | 1 | AGITATION VALVE ASSY. ON/OFF |
| 843196 | 1 | GUN, MODEL 60S |
| 843197 | 1 | HANDGUN KIT TYPE 60 LONG |
| 10013403 | 1 | BOLT HEX 3/8-16X1 1/4 HCS Z5 |
| 10013503 | 1 | NUT HEX NC 3/8" |
| 10178903 | 1 | WRAP HOSE SIDE MOUNT PLATE |
| 10179003 | 1 | WRAP HOSE BOTTOM PLATE MOUNT |
| 10179403 | 1 | WRAP WELDMENT FOR HI101789 |
| 10179503 | 1 | WRAP WELDMENT FOR HI101790 |
| 10225603 | 1 | BKT.FOR HOSE WRAP MOUNT NL NK |
| 10225703 | 1 | WRAP HOSE BDL.BOTTOM PLATE |
| 92702103 | 1 | HOSE R X1/2" X300PSI WP X0012" |



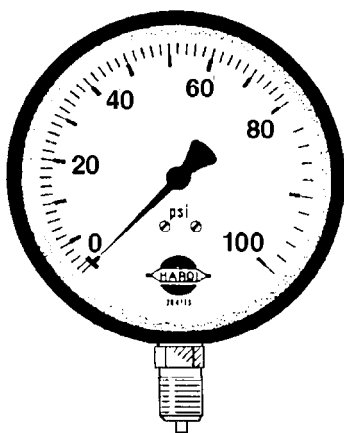
284269
0-8-16 bar
BRASS
2.5" GAUGE



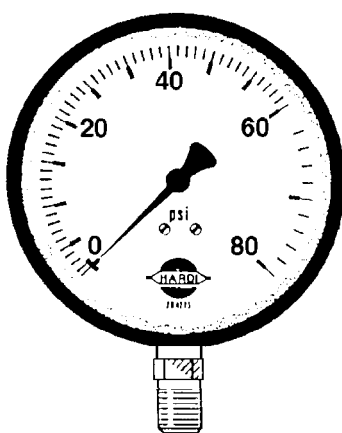
28026203
0-100-200 psi
STAINLESS
2.5" GAUGE



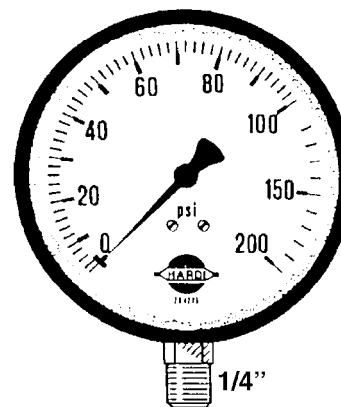
28014403
200 psi (14 bar)
STAINLESS
4" GAUGE



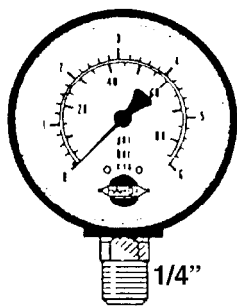
844086
100 bar (1400 psi)
BRASS
2.5" GAUGE



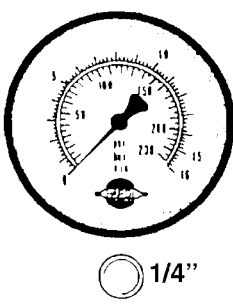
844088
80 bar (1200 psi)
STAINLESS
1.5" GAUGE



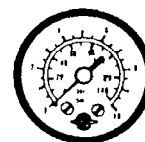
28026103
0-100-200 psi
STAINLESS
4" GAUGE



280637
6 bar (85 psi)
BRASS
2.5" GAUGE



283754
16 bar (230 psi)
BRASS
2.5" GAUGE



844082
10 bar (140 psi)
BRASS
1.5" GAUGE

K0560

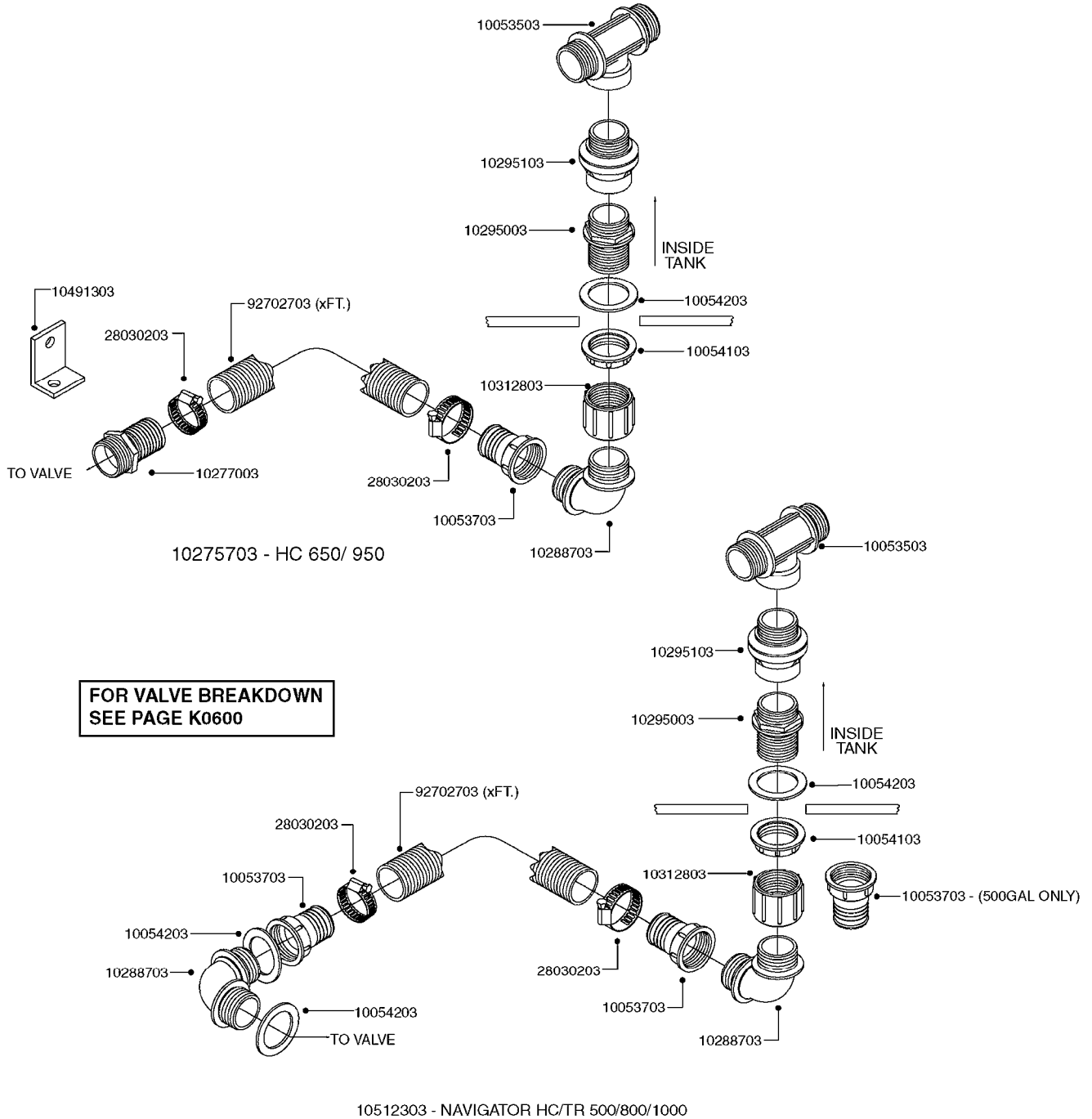


PRESSURE GAUGES
K0560-HIN, 01:01:16

Page 1

Date 04.11.2017 13:05

| parts-n° | order qty | description |
|----------|-----------|--------------------------------------|
| 280637 | 1 | GAUGE 2.5"BR BOTT.PSI85 BAR6 |
| 283754 | 1 | GAUGE 2.5'BR REAR PSI200 BAR16 |
| 284269 | 1 | PRESSURE GAUGE 0-8-16 BAR Ø2,5" 1/4" |
| 844082 | 1 | GAUGE 1.5'BR REAR PSI140BAR10 |
| 844086 | 1 | GAUGE 2.5'BR BOTT.PSI1000BAR80 |
| 844088 | 1 | GAUGE 2.5'BR BOTT PSI1200BAR80 |
| 28014403 | 1 | GAUGE 4"BR REAR PSI200 |
| 28026103 | 1 | GAUGE 200PSI/BR, 4", 1/4"BSP-BTM |
| 28026203 | 1 | GAUGE 200PSI/BR, 2.5"1/4BSP-BTM |



K0580

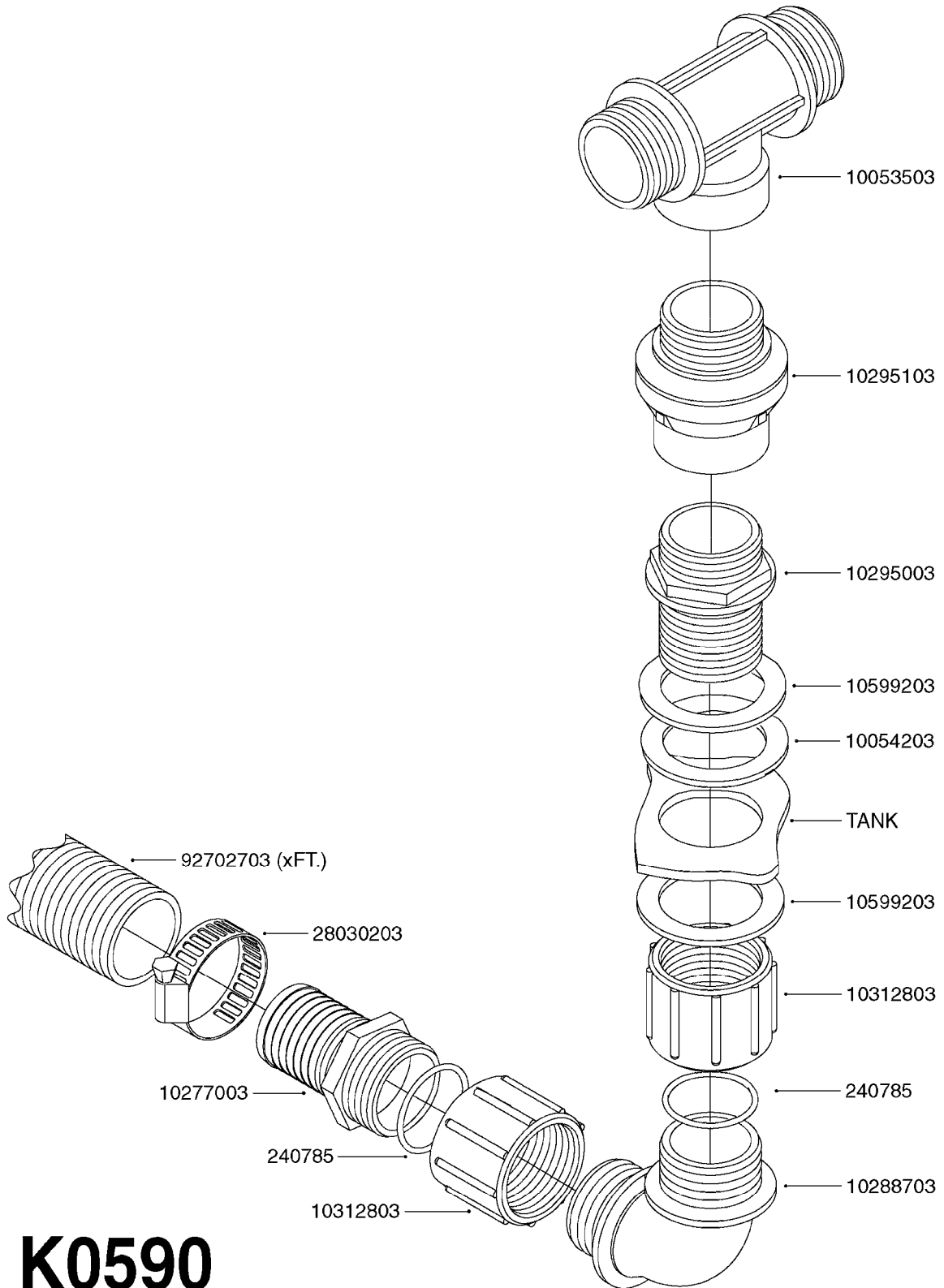
**COMPLETE ASSEMBLIES
WHOLEGOODS ITEMS**



QUICKFILL-PLMBNG SYS-TRLR SPYR
K0580-HIN, 01:01:16

Page 1
Date 04.11.2017 13:05

| parts-n° | order qty | description |
|----------|-----------|---------------------------------|
| 10053503 | 1 | FITT.PO.TEE 2"MX2"FX2"M BSP |
| 10053703 | 1 | FITT.PO.HB STR. 2"BSP #4411 |
| 10054103 | 1 | FITT.PO.NUT 2" BSP JAMB MCPHEE |
| 10054203 | 1 | GASKET F. 2" FITTINGS RUBBER |
| 10275703 | 1 | *QUICK FILL KIT 650/950M |
| 10277003 | 1 | FITT.PO.HB 2.00X2.00 MCPHEE |
| 10288703 | 1 | FITT.PO.EL 2MX2M 90 DEG MCPHEE |
| 10295003 | 1 | FITT.PO.HN 2' 250071 |
| 10295103 | 1 | FOOT VALVE 2" 504019 |
| 10312803 | 1 | FITT.PO.BU 2' X 2' |
| 10491303 | 1 | ANGLE FOR HC950 QUICK FILL |
| 10512303 | 1 | QUICK FILL KIT NAV. (DON'T ORD) |
| 28030203 | 1 | CLAMP HOSE T-BOLT S2" 235-67 |
| 92702703 | 1 | HOSE PVC SUCT GRAY 2" |



K0590

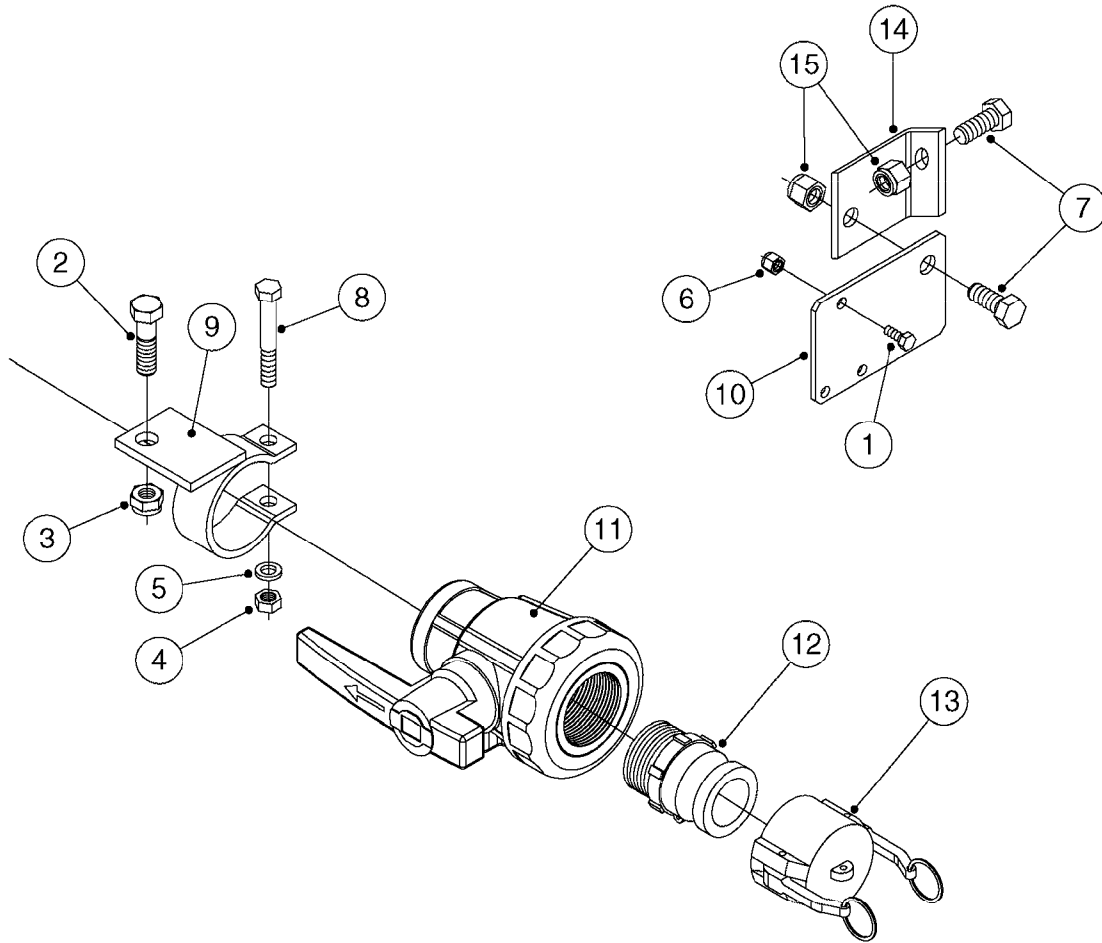


QUICKFILL-UPDATE 97-TRAILER
K0590-HIN, 01:01:16

Page 1

Date 04.11.2017 13:05

| parts-n° | order qty | description |
|----------|-----------|--------------------------------|
| 240785 | 1 | O-RING D46,99X5,33 NITRIL |
| 10053503 | 1 | FITT.PO.TEE 2"MX2"FX2"M BSP |
| 10054203 | 1 | GASKET F. 2" FITTINGS RUBBER |
| 10277003 | 1 | FITT.PO.HB 2.00X2.00 MCPHEE |
| 10288703 | 1 | FITT.PO.EL 2MX2M 90 DEG MCPHEE |
| 10295003 | 1 | FITT.PO.HN 2' 250071 |
| 10295103 | 1 | FOOT VALVE 2" 504019 |
| 10312803 | 1 | FITT.PO.BU 2' X 2' |
| 10599203 | 1 | WASHER-390664 MACHINE ID2-3/8' |
| 28030203 | 1 | CLAMP HOSE T-BOLT S2" 235-67 |
| 92702703 | 1 | HOSE PVC SUCT GRAY 2" |



**PARTS FOR VALVES
NO LONGER AVAILABLE**

K0600

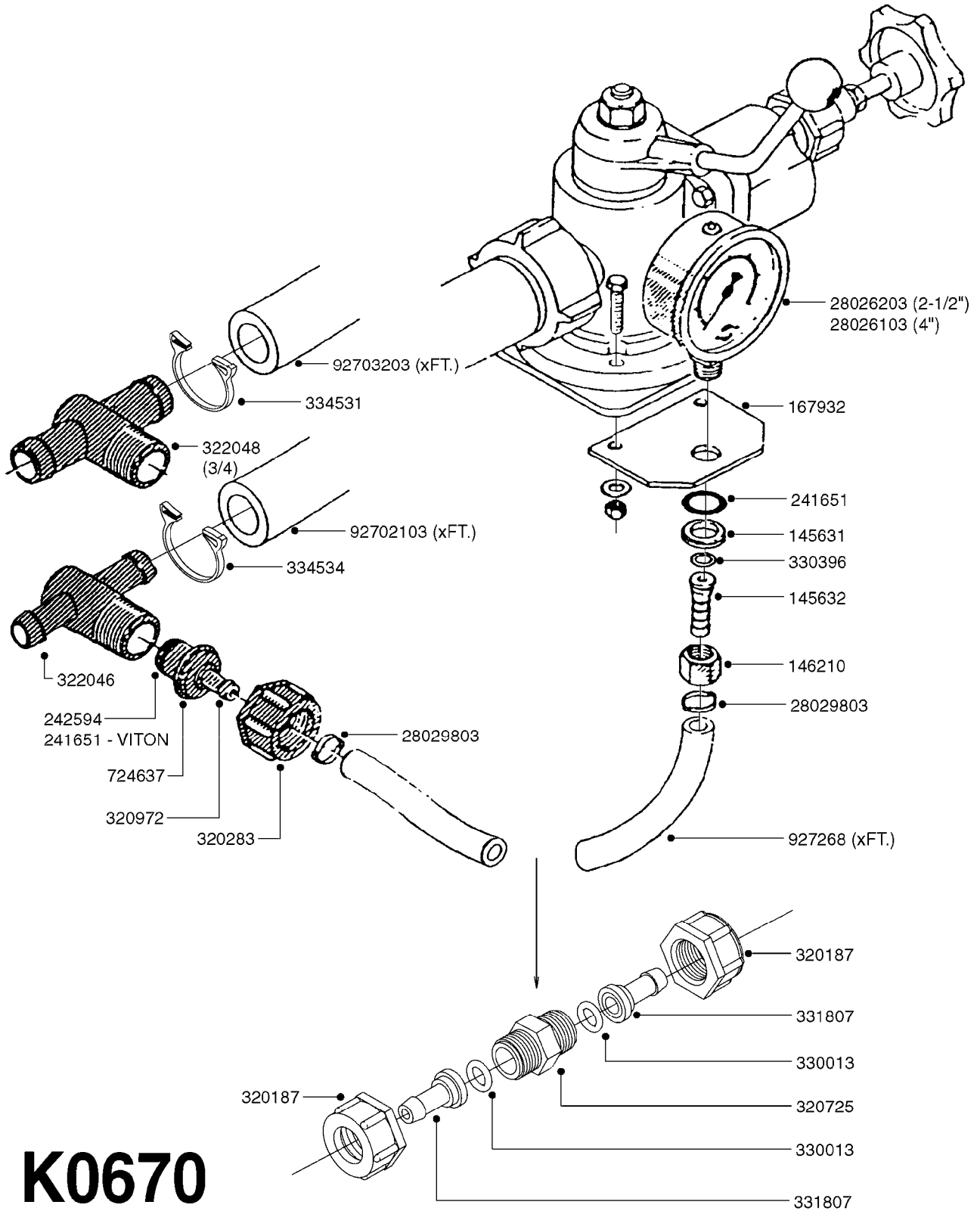


QUICKFILL-VALVES-2"
K0600-HIN, 01:01:16

Page 1

Date 04.11.2017 13:05

| Pos. | parts-n° | order qty | description |
|------|----------|-----------|-------------------------------|
| 1 | 420582 | 1 | BOLT HEX 8.8 DEL M8X20 FT A2 |
| 2 | 430765 | 1 | BOLT HEX 8.8 DEL M16X55 |
| 3 | 460585 | 1 | LOCKING NUT M16 DIN985 A2 SS |
| 4 | 10002503 | 1 | NUT HEX NC 1/2" |
| 5 | 10004603 | 1 | WASHER LOCK 1/2" |
| 6 | 10013503 | 1 | NUT HEX NC 3/8" |
| 7 | 10056803 | 1 | BOLT HEX 5/8 NC GR.5 01.50" |
| 8 | 10101103 | 1 | BOLT HEX 1/2 NC GR.2 03.50" |
| 9 | 10297903 | 1 | BKT.QUICK FILL TR/HC |
| 10 | 10520803 | 1 | QUICK FILL BRACKET |
| 11 | 10520903 | 1 | BALL VALVE 2" HYPRO |
| 12 | 10530903 | 1 | QUICK COUPLER MALE 2" |
| 13 | 10531003 | 1 | CAP F.MALE QUICK COUPLER 2" |
| 14 | 10534203 | 1 | BRACKET F.QUICKFILL HC650/950 |
| 15 | 46001003 | 1 | NUT HEX 5/8"-11 NYLOCK |



K0670

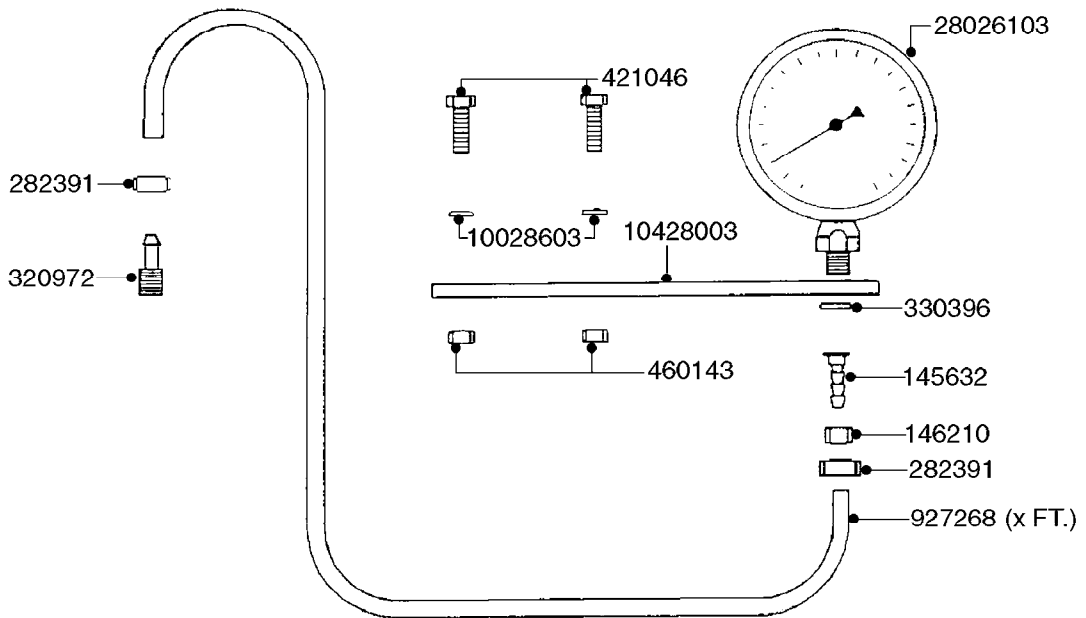
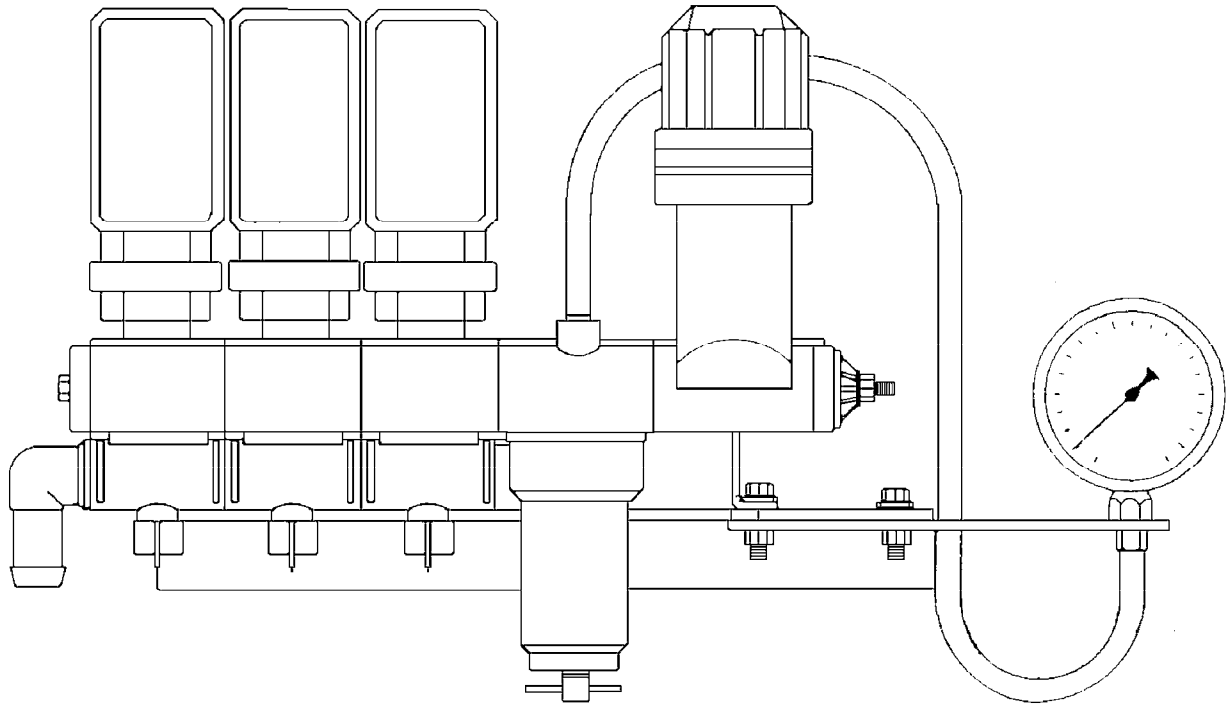


REMOTE GAUGE-BK 180 & EC
K0670-HIN, 01:01:16

Page 1

Date 04.11.2017 13:05

| parts-n° | order qty | description |
|----------|-----------|--------------------------------|
| 145631 | 1 | WASHER D21.5/D13.5X2.5 BRASS |
| 145632 | 1 | FITT.DK HB 1/4' BRASS F.GUAGE |
| 146210 | 1 | NUT 1/4'BSP BRASS |
| 167932 | 1 | MTG. BRACKET (PRESSURE GAUGE) |
| 241651 | 1 | O-RING D14.0X3.0 NITRIL |
| 242594 | 1 | O-RING D14 X 1.78 SCH.70-EPDM |
| 320187 | 1 | FITT.DK CAP 3/8" BSP BLACK |
| 320283 | 1 | FITT.DK NUT 3/4"BSP |
| 320725 | 1 | FITT.DK NIPPLE 3/8"-3/8" BSP |
| 320972 | 1 | FITT.DK HB 5/16'- 1/4' BSP |
| 322046 | 1 | FITT.DK TEE 1/2X1/2HB X3/4'BSP |
| 322048 | 1 | FITT.DK TEE 3/4X3/4HB X3/4'BSP |
| 330013 | 1 | O-RING D15/D10X2.5 F.3/8"NUT |
| 330396 | 1 | O-RING D11.2/D6.6X3.2 |
| 331807 | 1 | FITT.DK HB 5/16" F.3/8" NUT |
| 334531 | 1 | CLAMP HOSE PLASTIC 3/4" |
| 334534 | 1 | CLAMP HOSE PLASTIC 1/2" |
| 724637 | 1 | FITT.DK HB 5/16' F. 3/4" COMP. |
| 927268 | 1 | HOSE R X PVC X 1/4 X 0012" |
| 28026103 | 1 | GAUGE 200PSI/BR,4",1/4"BSP-BTM |
| 28026203 | 1 | GAUGE 200PSI/BR,2.5"1/4BSP-BTM |
| 28029803 | 1 | CLAMP HOSE GEAR P1/2" 6708 |
| 92702103 | 1 | HOSE R X1/2" X300PSI WP X0012" |
| 92703203 | 1 | HOSE R X3/4" X300PSI WP X0012" |



COMPLETE ASSEMBLIES
WHOLEGOODS ITEMS

70043903 - COMPLETE ASSEMBLY

K0680

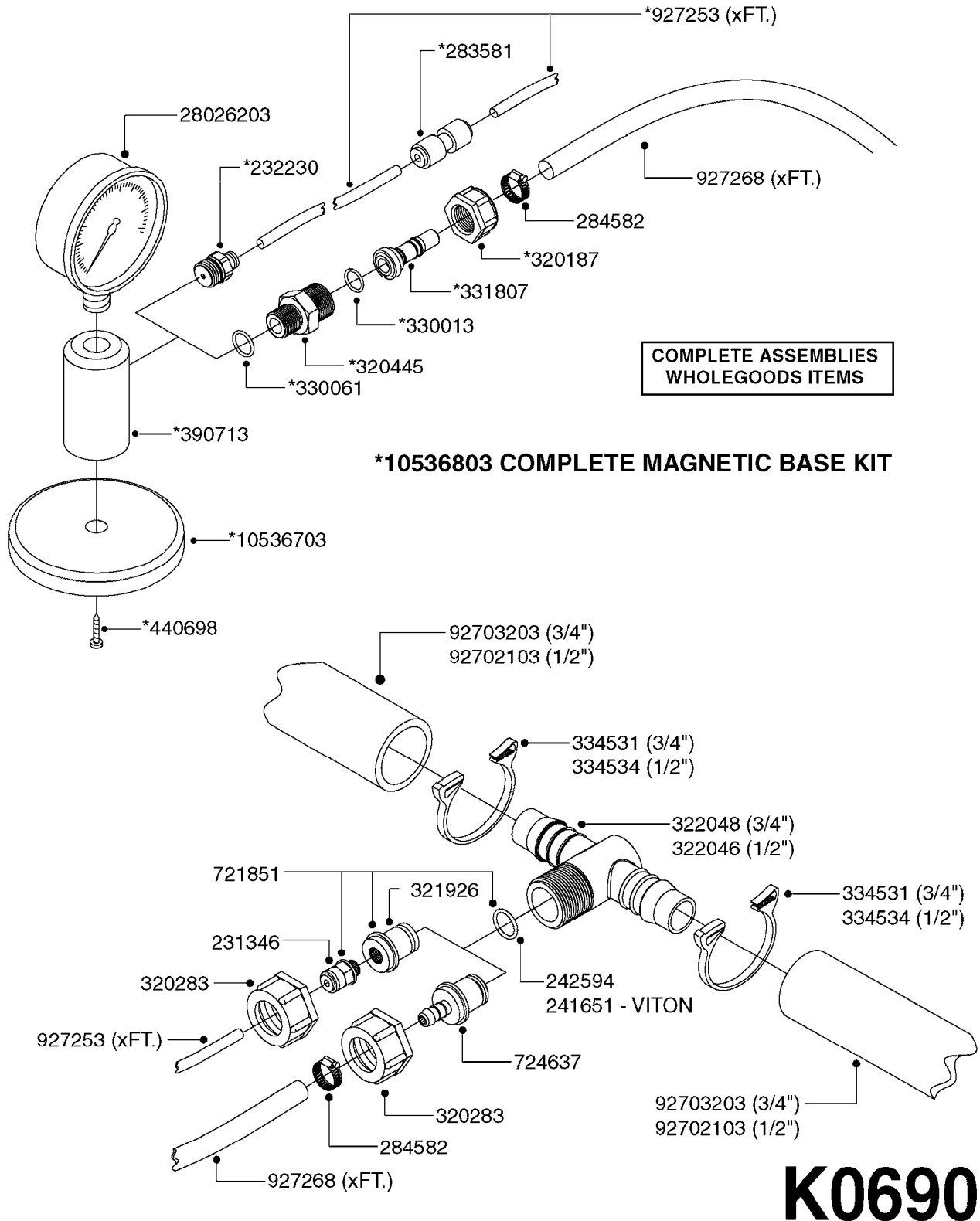


REMOTE GAUGE-ESC SPRAYERS-4"
K0680-HIN, 01:01:16

Page 1

Date 04.11.2017 13:05

| parts-n° | order qty | description |
|----------|-----------|----------------------------------|
| 145632 | 1 | FITT.DK HB 1/4' BRASS F.GUAGE |
| 146210 | 1 | NUT 1/4'BSP BRASS |
| 282391 | 1 | CLAMP HOSE CRIMP 5/16' |
| 320972 | 1 | FITT.DK HB 5/16'- 1/4' BSP |
| 330396 | 1 | O-RING D11.2/D6.6X3.2 |
| 421046 | 1 | SCREW HEX M8X25/25 A2 SS DIN933 |
| 460143 | 1 | NUT HEX M8X1.25 LOCK DIN985A2 SS |
| 927268 | 1 | HOSE R X PVC X 1/4 X 0012" |
| 10028603 | 1 | WASHER LOCK 5/16' |
| 10428003 | 1 | BKT. FOR ESC GAUGE KIT |
| 28026103 | 1 | GAUGE 200PSI/BR,4",1/4"BSP-BTM |
| 70043903 | 1 | *GAUGE KIT,4" OP UNIT INFEILD |

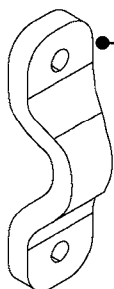




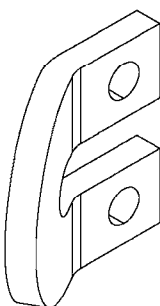
REMOTE GAUGE-MAGNETIC BASE KIT
K0690-HIN, 01:01:16

Page 1
Date 04.11.2017 13:05

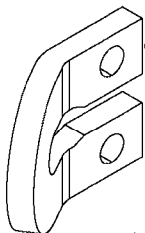
| parts-n° | order qty | description |
|----------|-----------|--------------------------------|
| 231346 | 1 | QUICK COUPLER 1/8"BSP X 4 MM |
| 232230 | 1 | QUICK COUPLER 1/4"BSP X 4 MM |
| 241651 | 1 | O-RING D14.0X3.0 NITRIL |
| 242594 | 1 | O-RING D14 X 1.78 SCH.70-EPDM |
| 283581 | 1 | HOSE CONNECTOR STR. F.4MM PE |
| 284582 | 1 | CLAMP HOSE GEAR - 5/16" |
| 320187 | 1 | FITT.DK CAP 3/8" BSP BLACK |
| 320283 | 1 | FITT.DK NUT 3/4"BSP |
| 320445 | 1 | FITT.DK HN 1/4"X3/8" BSP |
| 321926 | 1 | FITT.DK REDUC 1/8"BSP F.3/4"N |
| 322046 | 1 | FITT.DK TEE 1/2X1/2HB X3/4'BSP |
| 322048 | 1 | FITT.DK TEE 3/4X3/4HB X3/4'BSP |
| 330013 | 1 | O-RING D15/D10X2.5 F.3/8"NUT |
| 330061 | 1 | O-RING D16/D11X2,5 |
| 331807 | 1 | FITT.DK HB 5/16" F.3/8" NUT |
| 334531 | 1 | CLAMP HOSE PLASTIC 3/4" |
| 334534 | 1 | CLAMP HOSE PLASTIC 1/2" |
| 390713 | 1 | GAUGE ADAPTOR 1/4" BSP |
| 440698 | 1 | SCREW F.PLASTIC 6X18 SS HEXHD |
| 721851 | 1 | SCREW PLUG W/QUICK FIT |
| 724637 | 1 | FITT.DK HB 5/16' F. 3/4" COMP. |
| 927253 | 1 | AIR HOSE, DIAMETER 4MM |
| 927268 | 1 | HOSE R X PVC X 1/4 X 0012" |
| 10536703 | 1 | MAGNETIC BASE D3,2'/90LB |
| 10536803 | 1 | MAGNETIC BASE KIT F.GAUGE |
| 28026203 | 1 | GAUGE 200PSI/BR,2.5"1/4BSP-BTM |
| 92702103 | 1 | HOSE R X1/2" X300PSI WP X0012" |
| 92703203 | 1 | HOSE R X3/4" X300PSI WP X0012" |



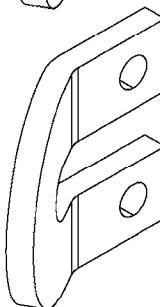
16023103: CM1500



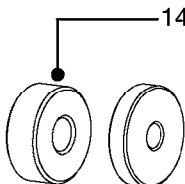
16056103: CM+1200



16056003: CM+750

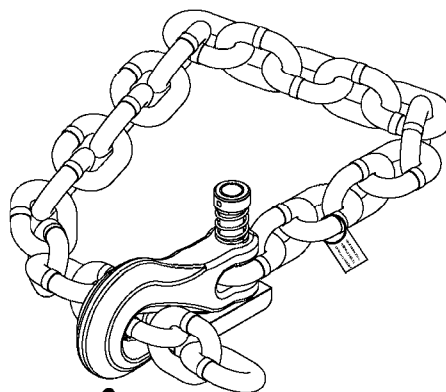


16020303: NEW NAV1100
NEW NAV575
TR/PS/NS

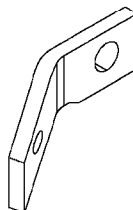


14001103: NAV550/800/1000

14001203: NAV550/800/1000



28017703: CM+1200/CM1500
29000403: CM+750/NAVM/NAV575/TR/PS/NS
28014703: NEW NAV1100



10275803: TR300/500

COMPLETE ASSEMBLIES:

- 70016803: CM1500
- 83312203: CM+1200
- 83312103: CM+750
- 83312003: NEW NAV1100
- 83311903: NEW NAV575
- 70012403: NAV550/800/1000
- 10276003: TR300/500

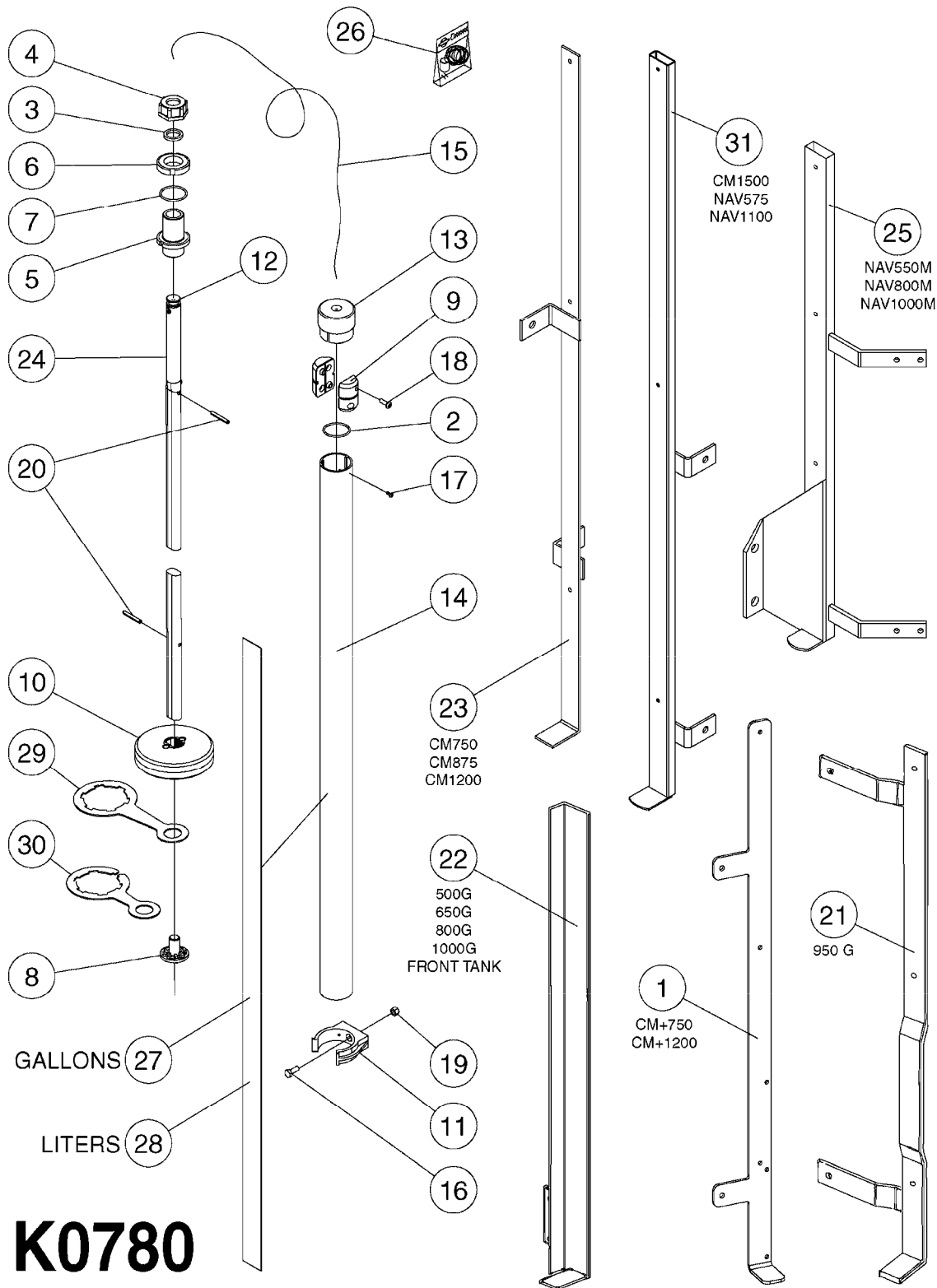
K0770



SAFETY CHAINS
K0770-HIN, 01:01:16

Page 1
Date 04.11.2017 13:05

| parts-n° | order qty | description |
|----------|-----------|--------------------------------|
| 10275803 | 1 | CHAIN BKT. FOR TR300/500/TX650 |
| 10276003 | 1 | SAFETY CHAIN KIT TR300/500 |
| 14001103 | 1 | MOUNTING HUB F. SAFETY CHAIN |
| 14001203 | 1 | MNT WASHER F. SAFE CHAIN KIT |
| 16020303 | 1 | SAFETY CHAIN MNT.BRKT.30,400LB |
| 16023103 | 1 | SAFETY CHAIN MNT.BRKT.40,500LB |
| 16056003 | 1 | SAFETY CHAIN MNT.BRKT.16100 lb |
| 16056103 | 1 | SAFETY CHAIN MNT.BRKT.40500 lb |
| 28014703 | 1 | SAFETY CHAIN 30,400LBS CERT. |
| 28017703 | 1 | SAFETY CHAIN 40,500LBS CERT. |
| 29000403 | 1 | SAFETY CHAIN CERT 16100LB |
| 70012403 | 1 | *SAFETY CHAIN KIT 16100LB NAV |
| 70016803 | 1 | SAFETY CHAIN KIT CM1500 |
| 83311903 | 1 | SAFTY CHAIN KIT 575 NAV. |
| 83312003 | 1 | SAFETY CHAIN KIT 1100 NAV. |
| 83312103 | 1 | SAFETY CHAIN KIT CM+750 |
| 83312203 | 1 | SAFETY CHAIN KIT CM+1200 |





SIGHT GAUGE - REMOTE
K0780-HIN, 16:03:17

Page 1
Date 04.11.2017 13:05

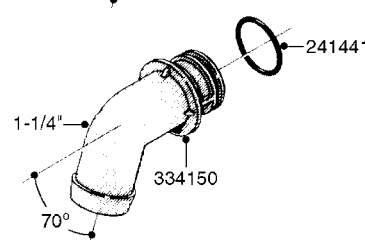
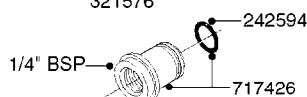
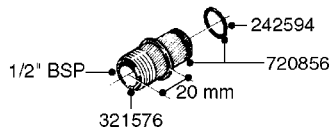
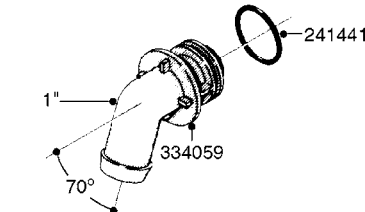
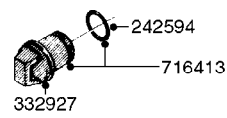
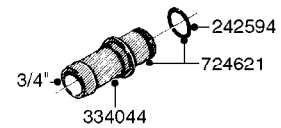
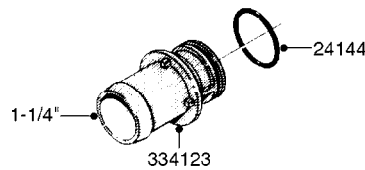
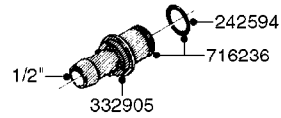
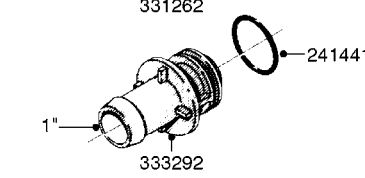
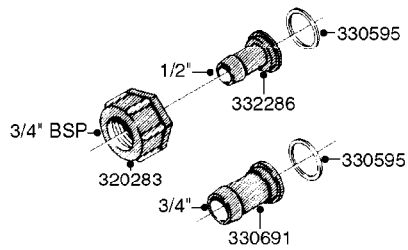
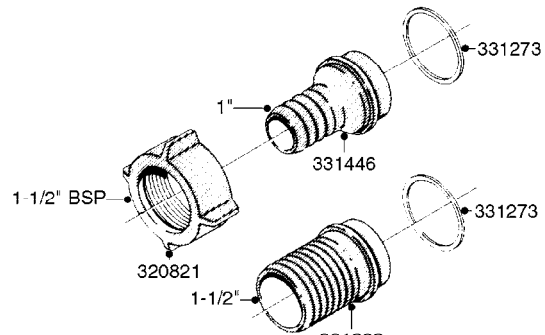
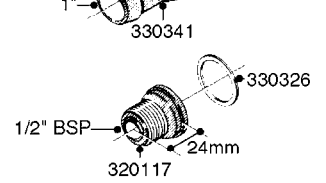
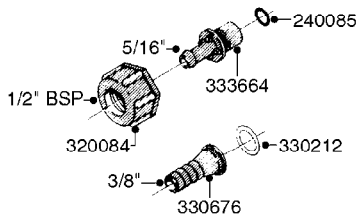
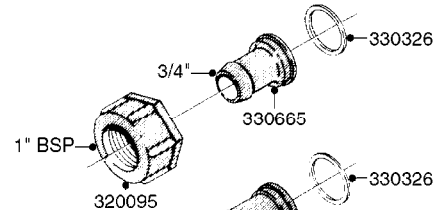
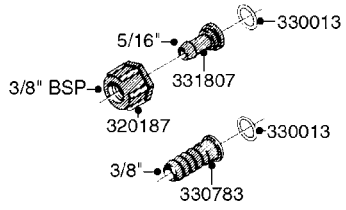
| Pos. | parts-n° | order qty | description |
|------|----------|-----------|--|
| 1 | 161950 | 1 | SIGHT GAUGE MT BKT CM+ 750/120 |
| 2 | 242262 | 1 | O-RING D31X3 VITON |
| 3 | 242309 | 1 | SEAL Ø22 ID Ø30 OD X 4 HIGH |
| 4 | 320095 | 1 | FITT.DK NUT 1" BSP |
| 5 | 320456 | 1 | FITT.DK BULKHEAD 1"BSP DOUBLE |
| 6 | 320471 | 1 | FITT.DK NUT 1" BSP JAMB |
| 7 | 332577 | 1 | O-RING D38/D30X4 F.1" PUR. |
| 8 | 333864 | 1 | GUIDE F. SAFETY VALVE SPRING |
| 9 | 334513 | 1 | MARKER HALF SIGHT GAUGE RED |
| 10 | 334515 | 1 | FLOATER FOR LIQUID LEVEL |
| 11 | 334523 | 1 | PIPE HOLDER D51.5 |
| 12 | 334849 | 1 | SIGHT GAUGE GUIDE F. SS TUBE |
| 13 | 334850 | 1 | GUIDE F. SIGHT GAUGE TUBE TOP |
| 14 | 341202 | 1 | TUBE F.SIGHT GAUGE L=40" |
| 14 | 341204 | 1 | SIGHT GAUGE TUBE L=59" |
| 14 | 341283 | 1 | TUBE F.SIGHT GAUGE L=72" |
| 14 | 341307 | 1 | TUBE F.SIGHT GAUGE L=75" NCM 4400 |
| 14 | 341339 | 1 | TUBE F.SIGHT GAUGE L=82" NCM 6600 |
| 14 | 341340 | 1 | TUBE F.SIGHT GAUGE L=94" (2382) NCM 9000 |
| 14 | 34000703 | 1 | TUBE F. DRY GAUGE L=1200 BENT RANGER 2200 |
| 15 | 390487 | 1 | CORD NYLON/SIGHT GAUGE 4500mm |
| 15 | 28034100 | 1 | CABLE F.LIQUID LEVEL IND.L=5M |
| 16 | 410185 | 1 | BOLT HEX 8.8 DEL M6X16 |
| 16 | 410362 | 1 | BOLT HEX 8.8 SS M6X20 |
| 17 | 440663 | 1 | SCREW 3/8" NR4 STAINLESS |
| 18 | 440677 | 1 | SCREW F. PLASTIC 5X20 SS |
| 19 | 460261 | 1 | NUT HEX M6X1.00 LOCK DIN985 A2 SS |
| 20 | 480717 | 1 | PIN D5 X 40 STAINLESS |
| 20 | 480730 | 1 | PIN ROLL 5X30 STAINLESS STEEL |
| 21 | 615197 | 1 | BKT.SIGHT GAUGE HC950 |
| 22 | 615308 | 1 | BRACKET FOR SIGHT TUBE |
| 23 | 615941 | 1 | SIGHT GAUGE MOUNT BRACKET CM |
| 24 | 615942 | 1 | GUIDE TUBE F.FLOATER CM1200G |
| 24 | 615943 | 1 | GUIDE TUBE F.FLOATER CM875G |
| 24 | 615944 | 1 | GUIDE TUBE F.FLOATER, L=1680 NAV 575 & CM 750 |
| 24 | 615945 | 1 | GUIDE TUBE F.FLOATER, L=1610, NV3000 NAV 3000 & HC650 |
| 24 | 615947 | 1 | GUIDE TUBE F.FLOATER TR 500G NAV 3000 & HC650 |
| 24 | 615948 | 1 | GUIDE TUBE F.FLOATER MA 1000-1200-1500 L |
| 24 | 615949 | 1 | GUIDE TUBE F.FLOATER MEGA 230G |
| 24 | 615951 | 1 | GUIDE TUBE F.FLOATER NAV800G |
| 24 | 615952 | 1 | GUIDE TUBE F.FLOATER NAV1000G |
| 24 | 615954 | 1 | GUIDE TUBE F. FLOATER F.T.250G |
| 24 | 615955 | 1 | GUIDE TUBE F.FLOATER FT.350G |
| 24 | 615957 | 1 | GUIDE TUBE F.FLOATER NAV.550G |
| 24 | 61022100 | 1 | GUIDE TUBE F NP1100/CM1500 |
| 24 | 61022600 | 1 | GUIDE TUBE F.FLOATER RANGER RANGER 2000 & 2200 |
| 24 | 61036700 | 1 | GUIDE TUBE F.FLOATER, L=1850, NV4000/CM4400 NCM 4400 & NAV 4000 |
| 24 | 61038600 | 1 | GUIDE TUBE F.FLOAT NCM 9000 |
| 24 | 61038700 | 1 | GUIDE TUBE F.FLOAT NCM 6600 |
| 25 | 637998 | 1 | MANIFOLD BKT. NAVIGATOR |
| 26 | 741527 | 1 | SIGHT GAUGE KIT SS WIRE '98 |
| 27 | 978056 | 1 | DECAL S/G TUBE 500GAL-99 |



SIGHT GAUGE - REMOTE
K0780-HIN, 16:03:17

Page 2
Date 04.11.2017 13:05

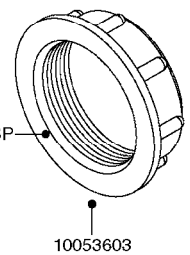
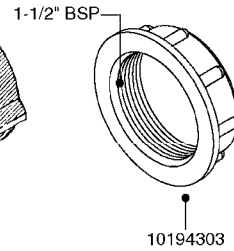
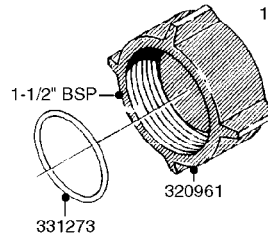
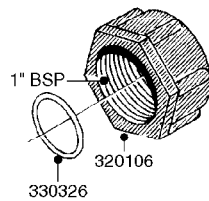
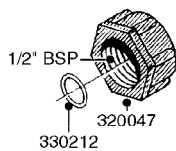
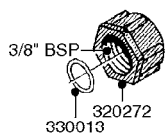
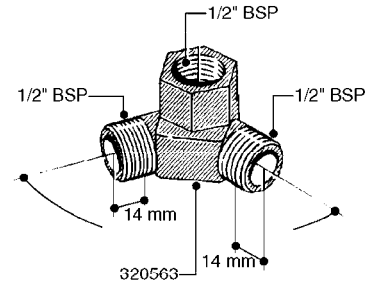
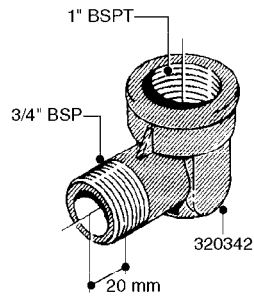
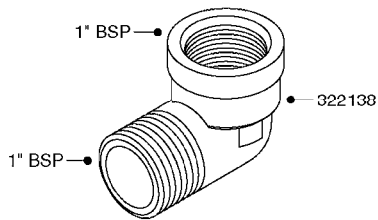
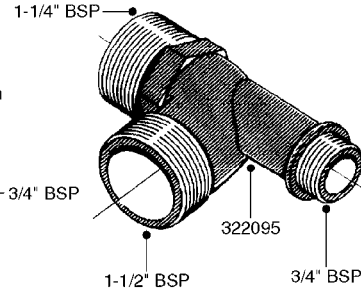
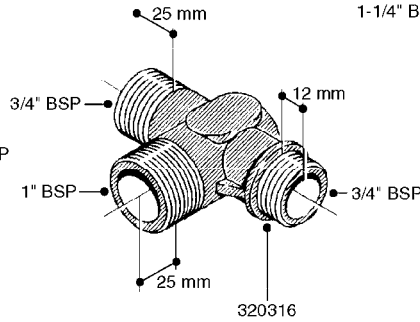
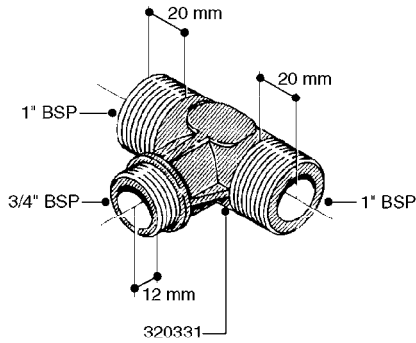
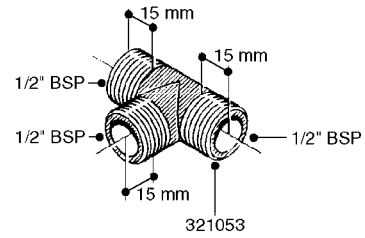
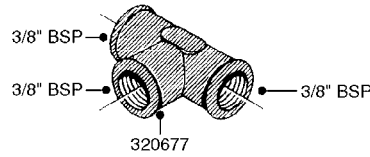
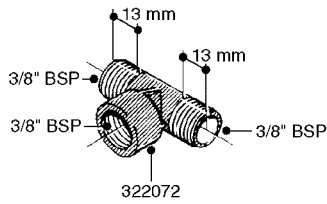
| Pos. | parts-n° | order qty | description |
|------|----------|-----------|---|
| 27 | 978324 | 1 | DECAL SCALE HC650 |
| 27 | 978327 | 1 | DECAL SCALE 500 |
| 27 | 978329 | 1 | DECAL SCALE HC950 |
| 27 | 978387 | 1 | DECAL SCALE NAV 800 |
| 27 | 978388 | 1 | DECAL SCALE NAV 1000 |
| 27 | 978431 | 1 | DECAL SCALE MEGA 230 G |
| 27 | 978432 | 1 | DECAL SCALE MEGA 350 G |
| 27 | 978469 | 1 | DECAL SCALE F.TANK 250G |
| 27 | 978470 | 1 | DECAL SCALE F.TANK 350G |
| 27 | 978610 | 1 | DECAL SCALE CM750 US GAL |
| 27 | 978691 | 1 | DECAL SCALE CM875 |
| 27 | 978692 | 1 | DECAL SCALE CM1200 |
| 27 | 10637303 | 1 | DECAL SCALE F.270G MISTBLOWER |
| 27 | 10637403 | 1 | DECAL SCALE M/BLOWER 500 USGAL |
| 27 | 97602603 | 1 | DECAL S/G TUBE CM 1500 |
| 27 | 97604803 | 1 | DECAL SIGHT GAUGE 1100 NAV. |
| 27 | 97604903 | 1 | DECAL SIGHT GAUGE 575 NAV. |
| 27 | 97608903 | 1 | DECAL SIGHT GAUGE 550M NAV. |
| 27 | 97609703 | 1 | DECAL S/G RANGER 2200 (600 G) RANGER 2200 (600 GAL.) |
| 27 | 97609803 | 1 | DECAL SIGHT GAUGE CM6600 GAL. NCM 6600 (1850 GAL.) |
| 27 | 97610003 | 1 | DECAL SIGHT GAUGE NCM 9000 GAL NCM 9000 (2400 GAL.) |
| 27 | 97610203 | 1 | DECAL SIGHT GAUGE NAV 3000 GAL NAV 3000 (800 GAL.) |
| 27 | 97610403 | 1 | DECAL SIGHT GAUGE NAV 4000 GAL NAV 4000 (1200 GAL.) |
| 27 | 97611503 | 1 | DECAL SIGHT GAUGE NAV 3500 GAL NAV 3500 (1000 GAL.) |
| 27 | 97613303 | 1 | DECAL S/G RANGER 2000 (GALLON) |
| 27 | 97833300 | 1 | DECAL SIGHT GAUGE CM4400 GAL. NCM 4400 (1200 GAL.) |
| 28 | 978127 | 1 | DECAL SCALE NAV550M METRIC |
| 28 | 978128 | 1 | DECAL SCALE NAV800M METRIC |
| 28 | 978129 | 1 | DECAL SCALE NAV1000M METRIC |
| 28 | 978291 | 1 | DECAL SCALE HC950M METRIC |
| 28 | 978313 | 1 | DECAL SCALE HC650M METRIC |
| 28 | 978589 | 1 | DECAL SCALE CM 3200 LITERS |
| 28 | 978590 | 1 | DECAL SCALE CM 4200 LITERS |
| 28 | 978690 | 1 | DECAL SCALE CM750 METRIC |
| 28 | 89109004 | 1 | DECAL SIGHT GAUGE 9000 LITERS |
| 28 | 97607203 | 1 | DECAL S/G TUBE 4200L. NEW NAV |
| 28 | 97609903 | 1 | DECAL S/G RANGER 2200 LITERS |
| 28 | 97610503 | 1 | DECAL SIGHT GAUGE NAV 4000 LIT |
| 28 | 97611403 | 1 | DECAL SIGHT GAUGE NAV 3500 LIT |
| 28 | 97613403 | 1 | DECAL S/G RANGER 2000 (LITER) |
| 28 | 97808000 | 1 | DECAL SIGHT GAUGE CM4400 LITER |
| 28 | 97813700 | 1 | DECAL SIGHT GAUGE CM6600 LITER |
| 28 | 97820900 | 1 | DECAL SIGHT GAUGE NAV 3000 LTR |
| 29 | 16025500 | 1 | TANK SPACER SIGHT GAUGE |
| 30 | 16135600 | 1 | GUIDE FOR SIGHT GAUGE NAV/NCM |
| 31 | 61005703 | 1 | BRACKET WELD SIGHT GAUGE |



L0010



| parts-n° | order qty | description |
|----------|-----------|---------------------------------|
| 240085 | 1 | O-RING D13,1/8,3X02,4 NITRIL |
| 241441 | 1 | O-RING D29.3X3 |
| 242594 | 1 | O-RING D14 X 1.78 SCH.70-EPDM |
| 320084 | 1 | FITT.DK NUT 1/2" BSP |
| 320095 | 1 | FITT.DK NUT 1" BSP |
| 320117 | 1 | FITT.DK CONN.1/2"BSP F. 1" CAP |
| 320187 | 1 | FITT.DK CAP 3/8" BSP BLACK |
| 320283 | 1 | FITT.DK NUT 3/4"BSP |
| 320821 | 1 | FITT.DK NUT 1-1/2" BSP |
| 321495 | 1 | FITT.DK REDUC 1/4'BSP F.3/4'NT |
| 321576 | 1 | FITT.DK CONN 1/2"BSP F.3/4"NUT |
| 330013 | 1 | O-RING D15/D10X2.5 F.3/8"NUT |
| 330212 | 1 | O-RING D19/D14X2.4 F.1/2"NUT |
| 330326 | 1 | O-RING D30/D24X2 F.1"NUT |
| 330341 | 1 | FITT.DK HB 1" F. 1" NUT |
| 330595 | 1 | O-RING D24.6/D20X2.1 -3/4" |
| 330665 | 1 | 3/4' HOSE TAIL F/1' CAP |
| 330676 | 1 | FITT.DK HB 3/8" F. 1/2" NUT |
| 330687 | 1 | FITT.DK HB 1/2" F. 1/2" NUT |
| 330691 | 1 | FITT.DK HB 3/4'F.3/4' NUT |
| 330783 | 1 | FITT.DK HB 3/8"F.3/8" NUT |
| 331262 | 1 | FITT.DK HB 1-1/2" F. 1-1/2"NUT |
| 331273 | 1 | O-RING D44/D38X2 F.1-1/2" |
| 331446 | 1 | FITT.DK HB 1" F.1-1/2" NUT |
| 331807 | 1 | FITT.DK HB 5/16" F.3/8" NUT |
| 332286 | 1 | FITT.DK HB 1/2" F. 3/4" NUT |
| 332905 | 1 | FITT.DK HB 1/2" F. 3/4" CAP |
| 332927 | 1 | PLUG F. NOZZLE TUBE 3/4' |
| 333292 | 1 | FITT.DK HB 1"O'RING F.1-1/2" |
| 333664 | 1 | FITT.DK HB 5/16' F. 1/2' NUT |
| 334044 | 1 | FITT.DK HB 3/4' F. 3/4' CAP |
| 334059 | 1 | FITT.DK EL 1" 110 DEG.F.1-1/2" |
| 334123 | 1 | FITT.DK HB 1-1/4"O-RNG F.1-1/2" |
| 334150 | 1 | FITT.DK HB 1-1/4" 110 F.1-1/2" |
| 390542 | 1 | PLUG WASHER FOR 3/4'CAP NUT |
| 716236 | 1 | FITT.DK HB 1/2" ASSY. F. 3/4" |
| 716413 | 1 | FITT.DK PLUG ASSY. F.NOZ TUBE |
| 717426 | 1 | FITT.DK REDUC 1/4"BSP F.3/4"N |
| 720856 | 1 | FITT.DK 1/2'BSP ASSY.F.3/4'NUT |
| 724621 | 1 | FITT.DK HB 3/4"ASSY F.3/4" NUT |



L0020

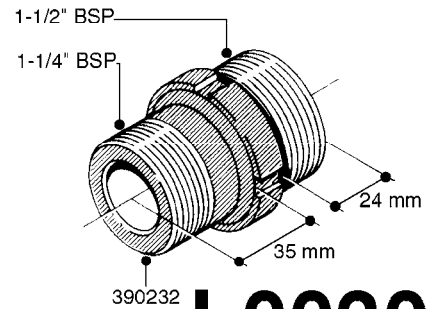
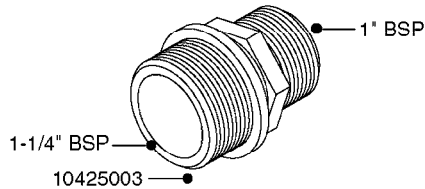
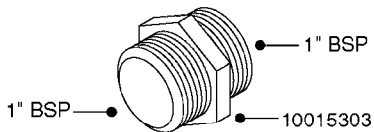
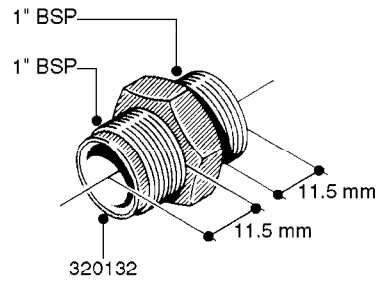
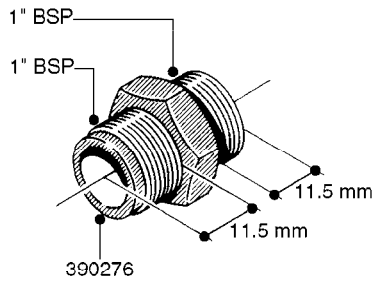
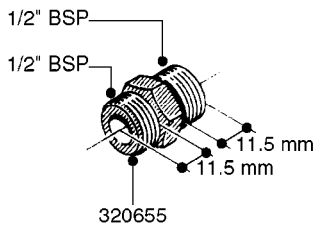
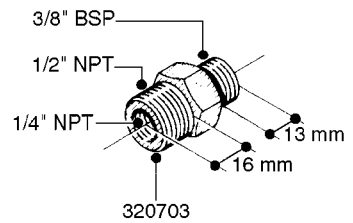
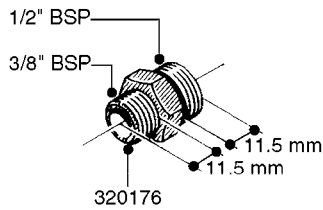
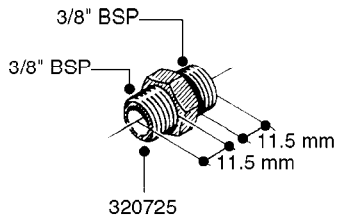
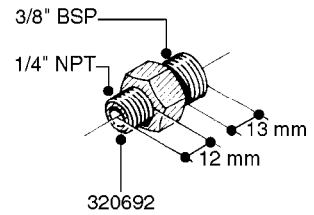
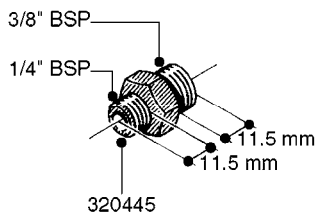
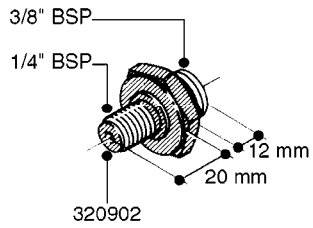


FITTINGS-T-PIECES, CAPS & ELBOWS
L0020-HIN, 01:01:16

Page 1

Date 04.11.2017 13:05

| parts-n° | order qty | description |
|----------|-----------|------------------------------------|
| 10053603 | 1 | FITT. CAPNUT 2"BSP 5601 |
| 10194303 | 1 | CAP BLANK 1 1/2 MCPHEE 210060 |
| 320047 | 1 | FITT.DK CAPNUT 1/2" BSP |
| 320106 | 1 | FITT.DK CAPNUT 1" BSP |
| 320272 | 1 | FITT.DK CAPNUT 3/8" BSP |
| 320316 | 1 | FITT.DK TEE 3/4" X3/4" X1"BSP |
| 320331 | 1 | FITT.DK TEE 1" - 1" - 3/4" BSP |
| 320342 | 1 | FITT.DK EL 3/4"M X 1"F BSP |
| 320563 | 1 | FITT.DK 3 WAY 1/2" 110 DEG. |
| 320677 | 1 | NO LONGER AVAILABLE |
| 320961 | 1 | FITT.DK CAPNUT 1-1/2" BSP |
| 321053 | 1 | FITT.DK TEE 1/2 X1/2 X1/2" BSP |
| 322072 | 1 | FITT.DK TEE 3/8'X3/8'X3/8' BSP |
| 322095 | 1 | FITT.DK TEE 1-1/2 X1-1/4 X3/4" BSP |
| 322138 | 1 | FITT.DK ELB 1"M X 1"F BSP |
| 330013 | 1 | O-RING D15/D10X2.5 F.3/8"NUT |
| 330212 | 1 | O-RING D19/D14X2.4 F.1/2"NUT |
| 330326 | 1 | O-RING D30/D24X2 F.1"NUT |
| 331273 | 1 | O-RING D44/D38X2 F.1-1/2" |



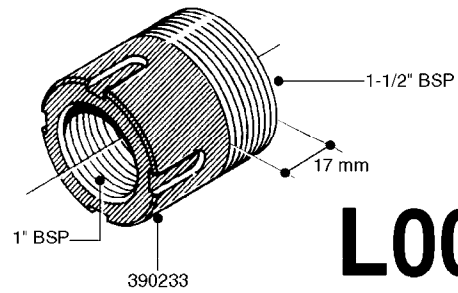
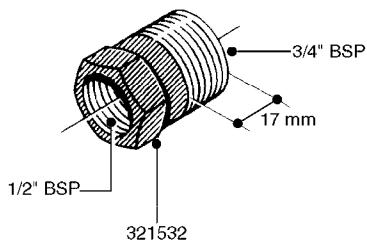
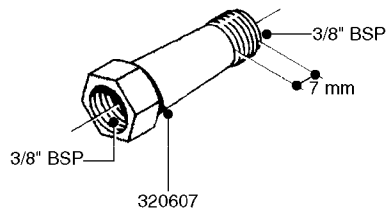
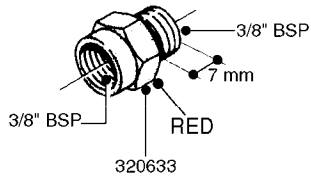
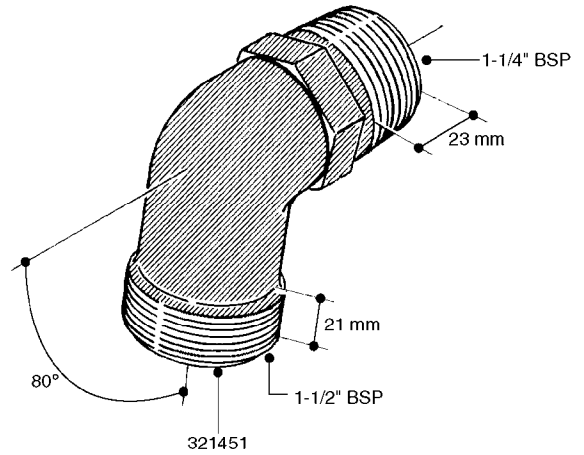
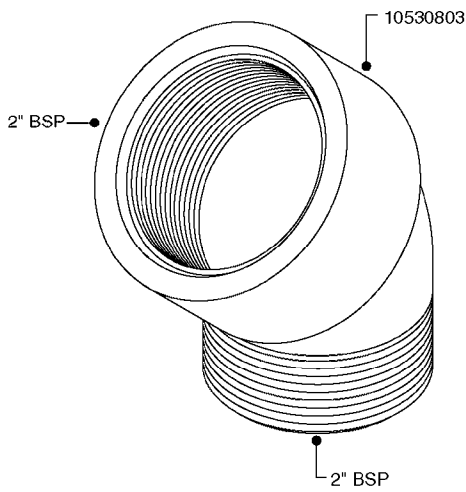
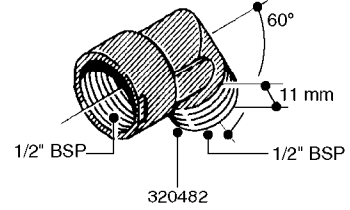
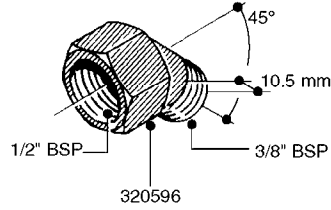
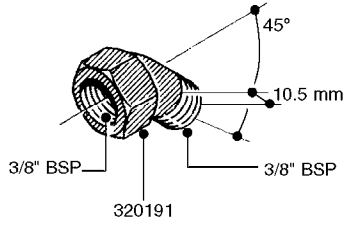
L0030



FITTINGS - HEXAGON NIPPLES
L0030-HIN, 01:01:16

Page 1
Date 04.11.2017 13:05

| parts-n° | order qty | description |
|----------|-----------|--------------------------------|
| 10015303 | 1 | FITT.PO.HN 1.00X1.00 M1000 |
| 10425003 | 1 | FITT.PO.HN 1.25X1.00 MCPHEE |
| 320132 | 1 | FITT.DK HN 1" BSP |
| 320176 | 1 | FITT.DK HN 3/8"X1/2" BSP |
| 320445 | 1 | FITT.DK HN 1/4"X3/8" BSP |
| 320655 | 1 | FITT.DK HN 1/2"-1/2" BSP |
| 320692 | 1 | FITT.DK HN 3/8'BSPX1/4'NPT |
| 320703 | 1 | FITT.DK HN 3/8BSP X1/2 &1/4NPT |
| 320725 | 1 | FITT.DK NIPPLE 3/8"-3/8" BSP |
| 320902 | 1 | FITT.DK HN 3/8'X 1/4' BSP |
| 390232 | 1 | FITT.DK HN 1-1/2' X 1-1/4' BSP |
| 390276 | 1 | FITT.DK HN 1'BSP |



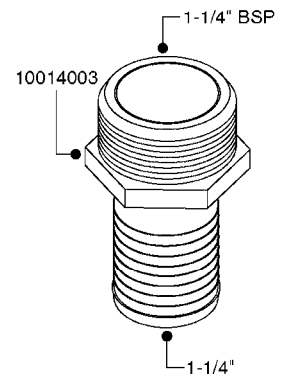
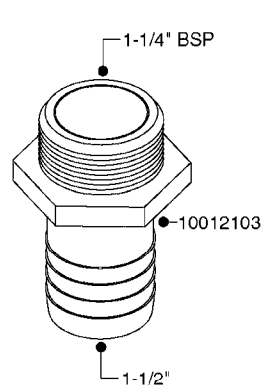
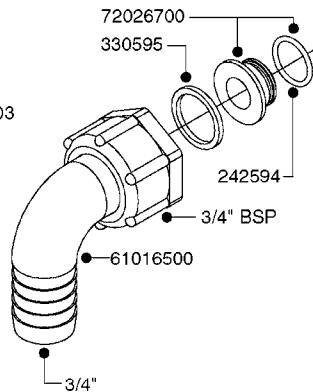
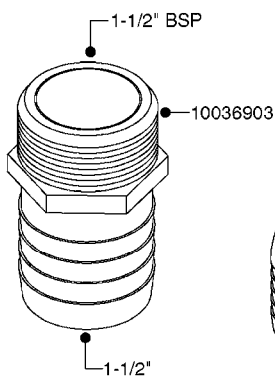
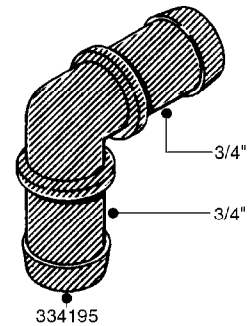
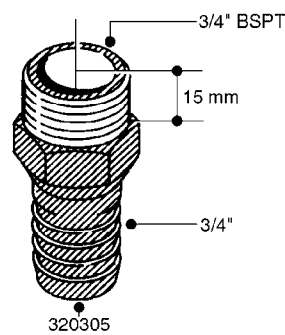
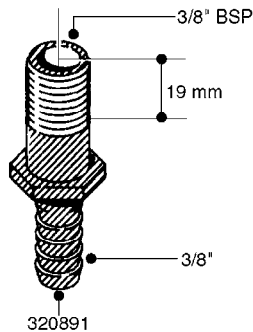
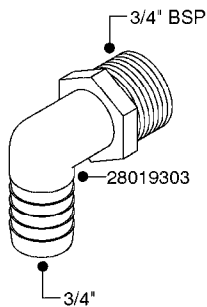
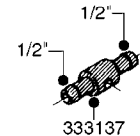
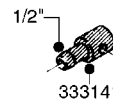
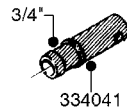
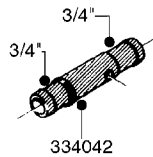
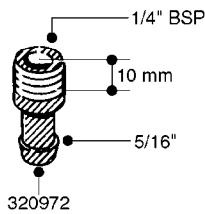
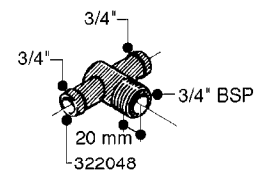
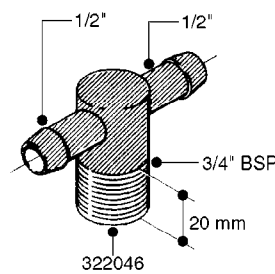
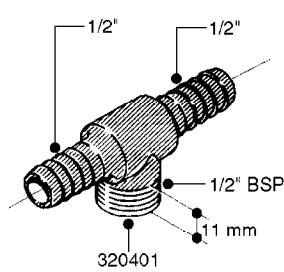
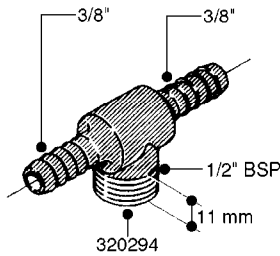
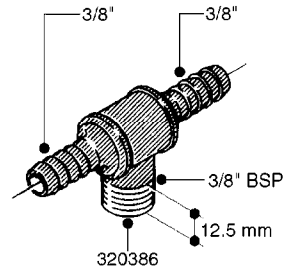
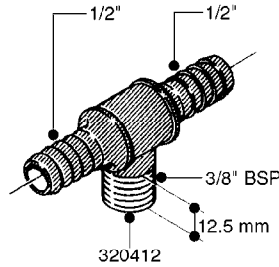
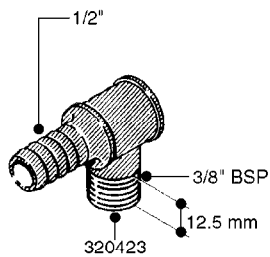
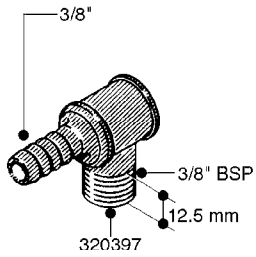
L0040



FITTINGS - NIPPLES & ELBOWS
L0040-HIN, 01:01:16

Page 1
Date 04.11.2017 13:05

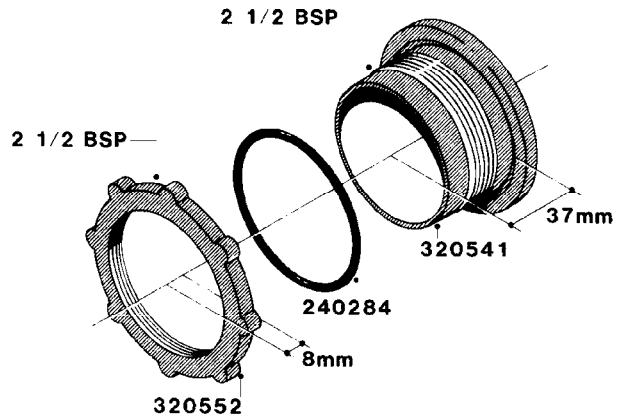
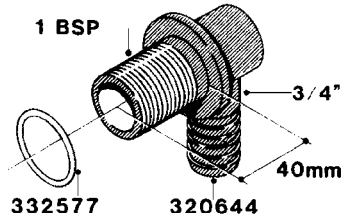
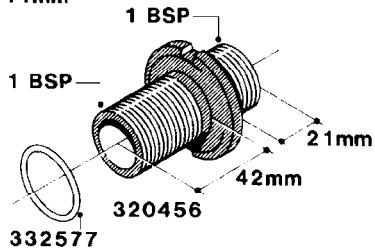
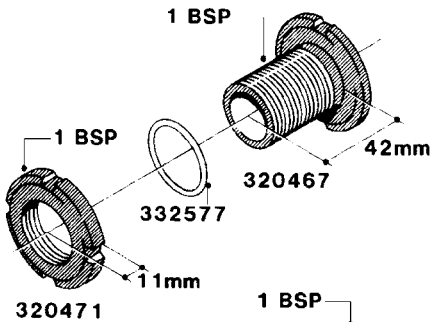
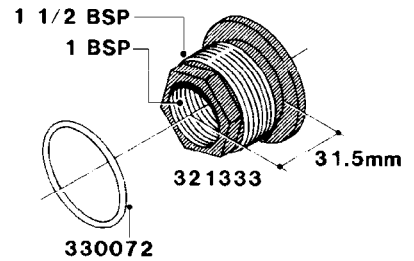
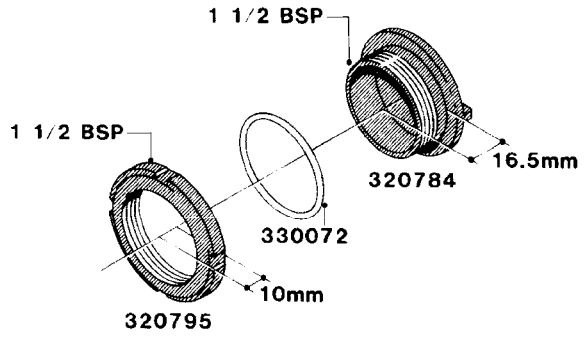
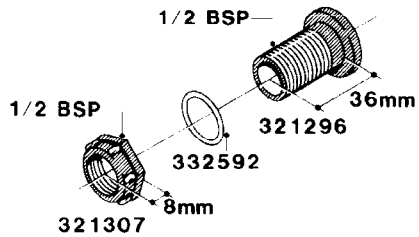
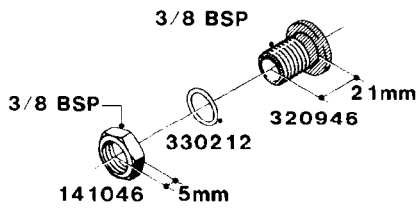
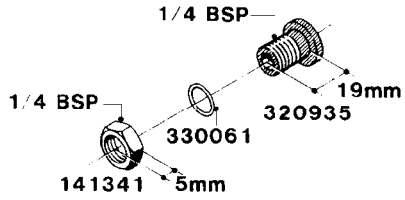
| parts-n° | order qty | description |
|----------|-----------|--------------------------------|
| 10530803 | 1 | FITT.PO.SE 2.00X2.00 45 DEG. |
| 320191 | 1 | FITT.DK ELB 3/8' BSP 45 DEGREE |
| 320482 | 1 | FITT.DK ELB. 1/2" BSP 60 DEG. |
| 320596 | 1 | FITT.DK ELB 3/8'-1/2'BSP 45DEG |
| 320607 | 1 | FITT.DK HN 3/8M X 3/8F BSP LNG |
| 320633 | 1 | FITT.DK HN 3/8"M X 3/8"F BSP |
| 321451 | 1 | FITT.DK ELB.1-1/2 X1-1/4 80DEG |
| 321532 | 1 | FITT.DK REDUC 3/4' X 1/2' BSP |
| 390233 | 1 | FITT.DK REDUC 1-1/2" X 1" BSP |



L0050



| parts-n° | order qty | description |
|----------|-----------|--------------------------------|
| 242594 | 1 | O-RING D14 X 1.78 SCH.70-EPDM |
| 320294 | 1 | FITT.DK TEE 3/8X3/8HB X1/2"BSP |
| 320305 | 1 | FITT.DK HB 3/4'- 3/4' BSP |
| 320386 | 1 | FITT.DK TEE 3/8X3/8HB X3/8"BSP |
| 320397 | 1 | FITT.DK ELB 3/8"HB X 3/8" BSP |
| 320401 | 1 | FITT.DK TEE 1/2X1/2HB X1/2"BSP |
| 320412 | 1 | FITT.DK TEE 1/2X1/2HB X3/8'BSP |
| 320423 | 1 | FITT.DK ELB 1/2'HB X 3/8' BSP |
| 320891 | 1 | FITT.DK HB 3/8'- 3/8' BSP |
| 320972 | 1 | FITT.DK HB 5/16'- 1/4' BSP |
| 322046 | 1 | FITT.DK TEE 1/2X1/2HB X3/4'BSP |
| 322048 | 1 | FITT.DK TEE 3/4X3/4HB X3/4'BSP |
| 330595 | 1 | O-RING D24.6/D20X2.1 -3/4" |
| 333137 | 1 | FITT.DK CONN.1/2" F.NOZZ. DOUB |
| 333141 | 1 | FITT.DK CONN.1/2" F.NOZZ.SING |
| 334041 | 1 | FITT.DK CONN.3/4' F.NOZZ. SING |
| 334042 | 1 | FITT.DK CONN.3/4' F.NOZZ. DOUB |
| 334195 | 1 | FITT.DK ELB. 3/4"HB X 3/4"HB |
| 10012103 | 1 | FITT.PO.HB 1.25X1.50 IMB1012 |
| 10014003 | 1 | FITT.PO.HB 1.25X1.25 IMB1010 |
| 10036903 | 1 | FITT.PO.HB 1.50X1.50 IMB1212 |
| 28019303 | 1 | FITTING HB ELB 3/4NPT-3/4HOSE |
| 61016500 | 1 | HOSE TAIL 3/4" 90°+RG CAP 3/4" |
| 72026700 | 1 | NOZZLE TUBE ADAPTER W/O-RING |



L0060

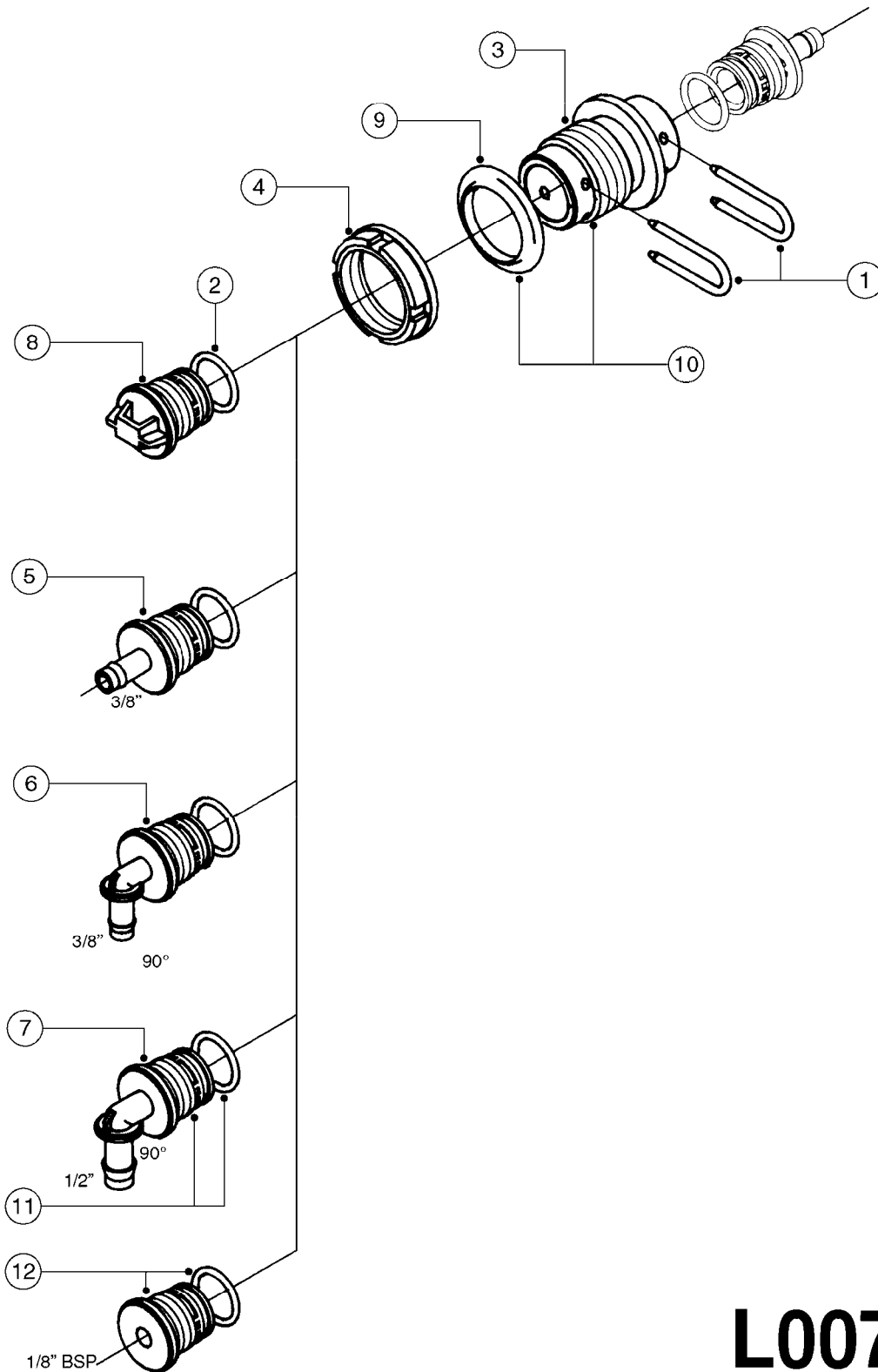


FITTINGS - BULKHEAD
L0060-HIN, 01:01:16

Page 1

Date 04.11.2017 13:05

| parts-n° | order qty | description |
|----------|-----------|--------------------------------|
| 141046 | 1 | NUT 3/8" BSP |
| 141341 | 1 | NUT 1/4' BSP |
| 240284 | 1 | O-RING D82,5/75 X 3,5 |
| 320456 | 1 | FITT.DK BULKHEAD 1"BSP DOUBLE |
| 320467 | 1 | FITT.DK BULKHEAD 1"BSP SINGLE |
| 320471 | 1 | FITT.DK NUT 1" BSP JAMB |
| 320541 | 1 | FITT.DK BULKHEAD 2-1/2'BSP SIN |
| 320552 | 1 | FITT.DK NUT 2-1/2' BSP JAMB |
| 320644 | 1 | FITT.DK ELB.3/4"HB X 1" BSP |
| 320784 | 1 | FITT.DK CAP 1-1/2" BSP |
| 320795 | 1 | FITT.DK NUT 1-1/2" BSP JAMB |
| 320935 | 1 | FITT.DK BULKHEAD 1/4' BSP SING |
| 320946 | 1 | FITT.DK BULKHEAD 3/8' BSP SING |
| 321296 | 1 | FITT.DK BULKHEAD 1/2" BSP SING |
| 321307 | 1 | FITT.DK NUT 1/2" BSP JAMB |
| 321333 | 1 | FITT.DK BULK 1-1/2" X 1"F BSP |
| 330061 | 1 | O-RING D16/D11X2,5 |
| 330072 | 1 | O-RING D53.5/D45.5X4 |
| 330212 | 1 | O-RING D19/D14X2.4 F.1/2"NUT |
| 332577 | 1 | O-RING D38/D30X4 F.1" PUR. |
| 332592 | 1 | O-RING D26/D20X3 |



L0070

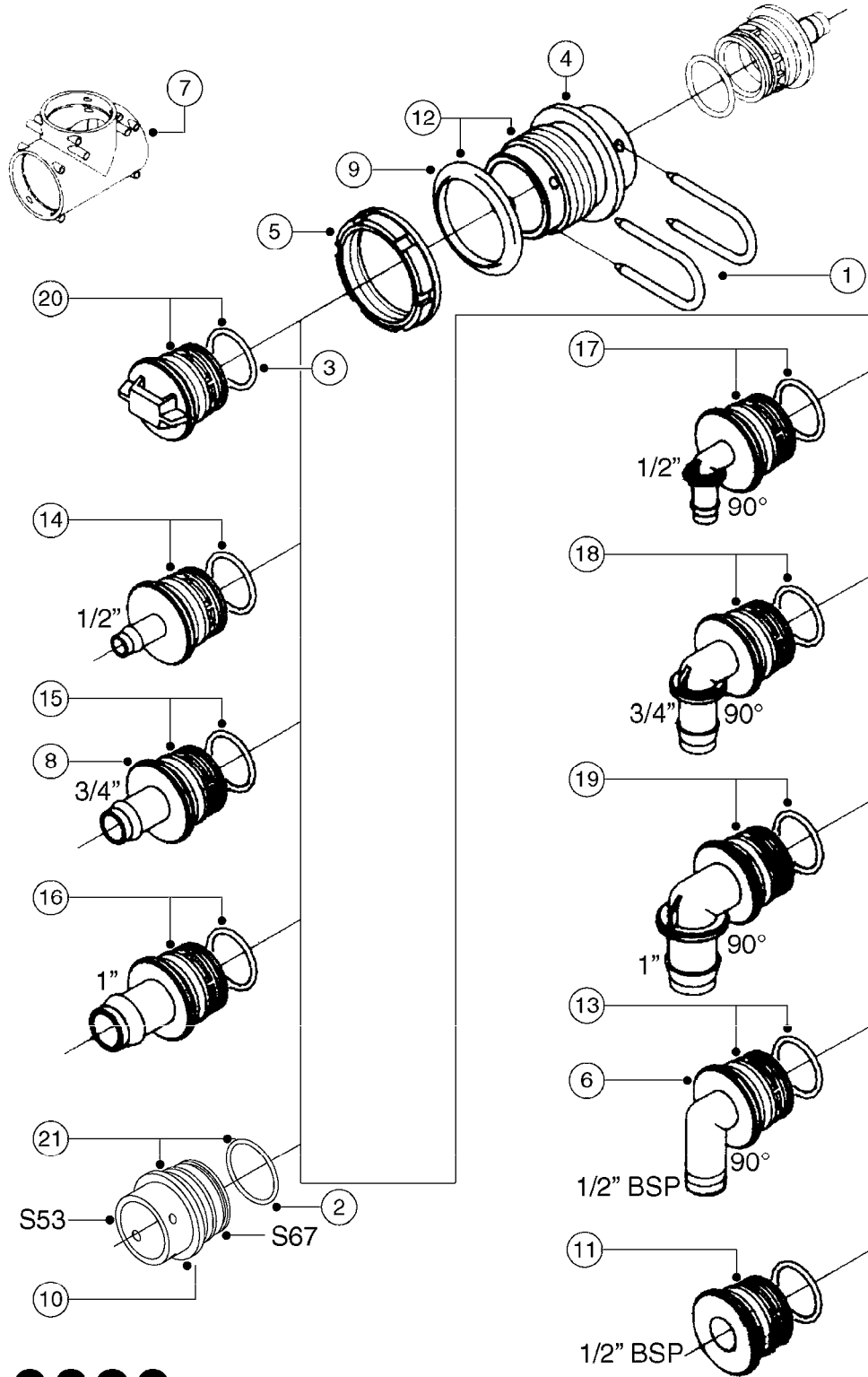


FITTINGS - S-40
L0070-HIN, 13:09:17

Page 1

Date 04.11.2017 13:05

| Pos. | parts-n° | order qty | description |
|------|----------|-----------|--|
| 1 | 145994 | 1 | FITT.DK S-40 FORK |
| 2 | 242108 | 1 | O-RING F.S-40 FITTING NITRIL (BLACK) |
| 2 | 242355 | 1 | O-RING D19.2X3.0 VITON F.S-40 VITON (BROWN) |
| 3 | 322102 | 1 | FITT.DK S-40 BULKHEAD |
| 4 | 322106 | 1 | FITT.DK S-40 BULKHEAD NUT |
| 5 | 334225 | 1 | FITT.DK S-40 STR.3/8" |
| 6 | 334237 | 1 | FITT.DK S-40 ELB.3/8" |
| 7 | 334238 | 1 | FITT.DK S-40 ELB.1/2" |
| 8 | 334248 | 1 | FITT.DK S-40 PLUG |
| 9 | 334259 | 1 | GASKET F. S-40 BULKHEAD |
| 10 | 726462 | 1 | FITT. S40 BULHEAD W. GASKET |
| 11 | 726567 | 1 | FITT.DK S-40 ELB.1/2" W. ORING |
| 12 | 726693 | 1 | FITT.DK S-40 PLUG 1/8BSP ORING |



L0080

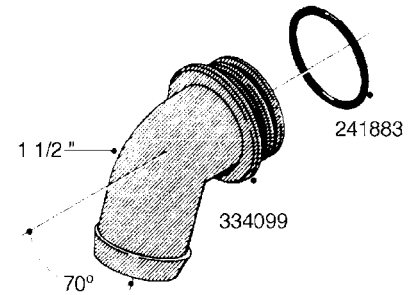
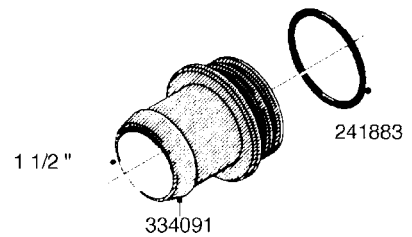
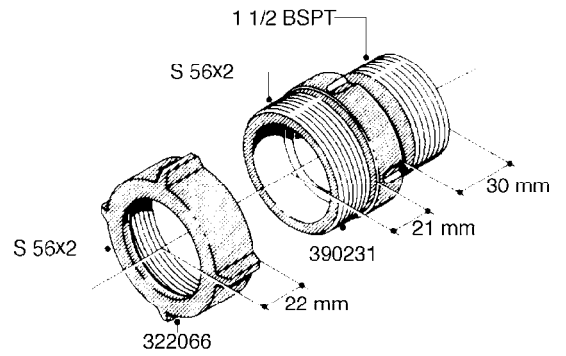
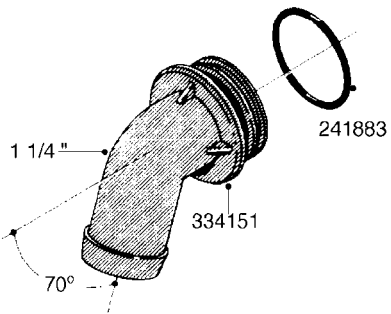
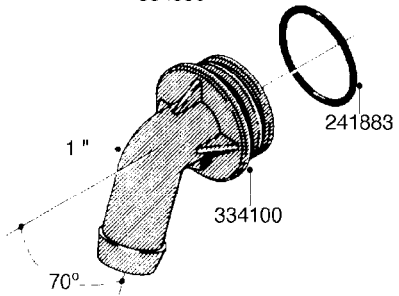
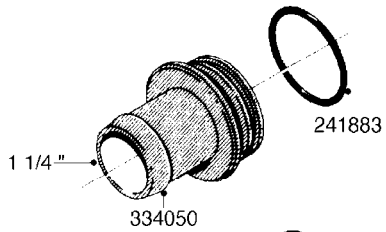
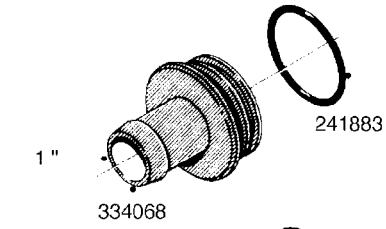
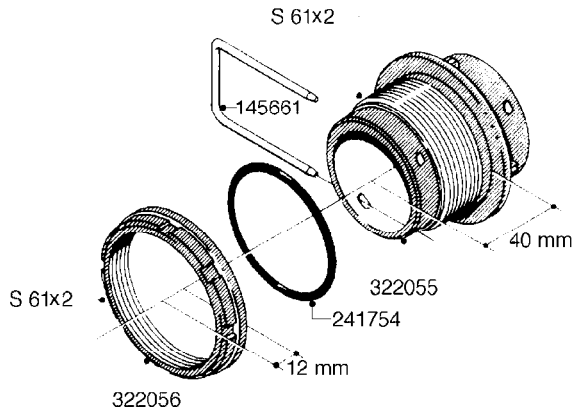


FITTINGS - S-53
L0080-HIN, 12:09:17

Page 1

Date 04.11.2017 13:05

| Pos. | parts-n° | order qty | description |
|------|----------|-----------|--|
| 1 | 145995 | 1 | FITT.DK S-53 FORK |
| 2 | 241973 | 1 | O-RING Ø3 X 44,2 70 SHORES NITRIL NITRIL (BLACK) |
| 2 | 242353 | 1 | O-RING D44.2X3.0 VITON F.S-67 VITON (BROWN) |
| 3 | 242109 | 1 | O-RING D32.2x3.0 NITRIL (BLACK) |
| 3 | 242354 | 1 | O-RING D32.2X3.0 VITON F.S-53 VITON (BROWN) |
| 4 | 322103 | 1 | FITT.DK S-53 BULKHEAD |
| 5 | 322107 | 1 | FITT.DK S-53 BULKHEAD NUT |
| 6 | 322110 | 1 | FITT.DK S-53 ELB. 1/2" BSP |
| 7 | 322352 | 1 | FITT.DK S-53 TEE |
| 8 | 334229 | 1 | FITT.DK S-53 STR.3/4" |
| 9 | 334260 | 1 | GASKET F. S-53 BULKHEAD |
| 10 | 334564 | 1 | FITT.DK S-67 TO S-53 ADAPTER |
| 11 | 391100 | 1 | FITT.DK S-53THREAD INS.1/2"BSP |
| 12 | 726463 | 1 | FITT.DK S53 BULKHEAD W/GASKET |
| 13 | 726552 | 1 | FIT.DK S-53X90 1/2" BSP,O-RING |
| 14 | 726556 | 1 | FITT.DK S-53 HB 1/2" W/O-RING |
| 15 | 726558 | 1 | FITT.DK S53 STR. 3/4" W.ORING |
| 16 | 726559 | 1 | FITT DK. S-53 HB 1" W/O-RING |
| 17 | 726568 | 1 | FITT.DK.S-53 HB 1/2"90 W/ORING |
| 18 | 726570 | 1 | FITT.DK S-53 ELB.3/4" W.ORING |
| 19 | 726571 | 1 | FITT.DK S-53 ELB.1", W ORING |
| 20 | 726578 | 1 | FITT.DK S53 PLUG WITH O-RING |
| 21 | 728561 | 1 | REDUCER S67M - S53F + O-RING |



L0090

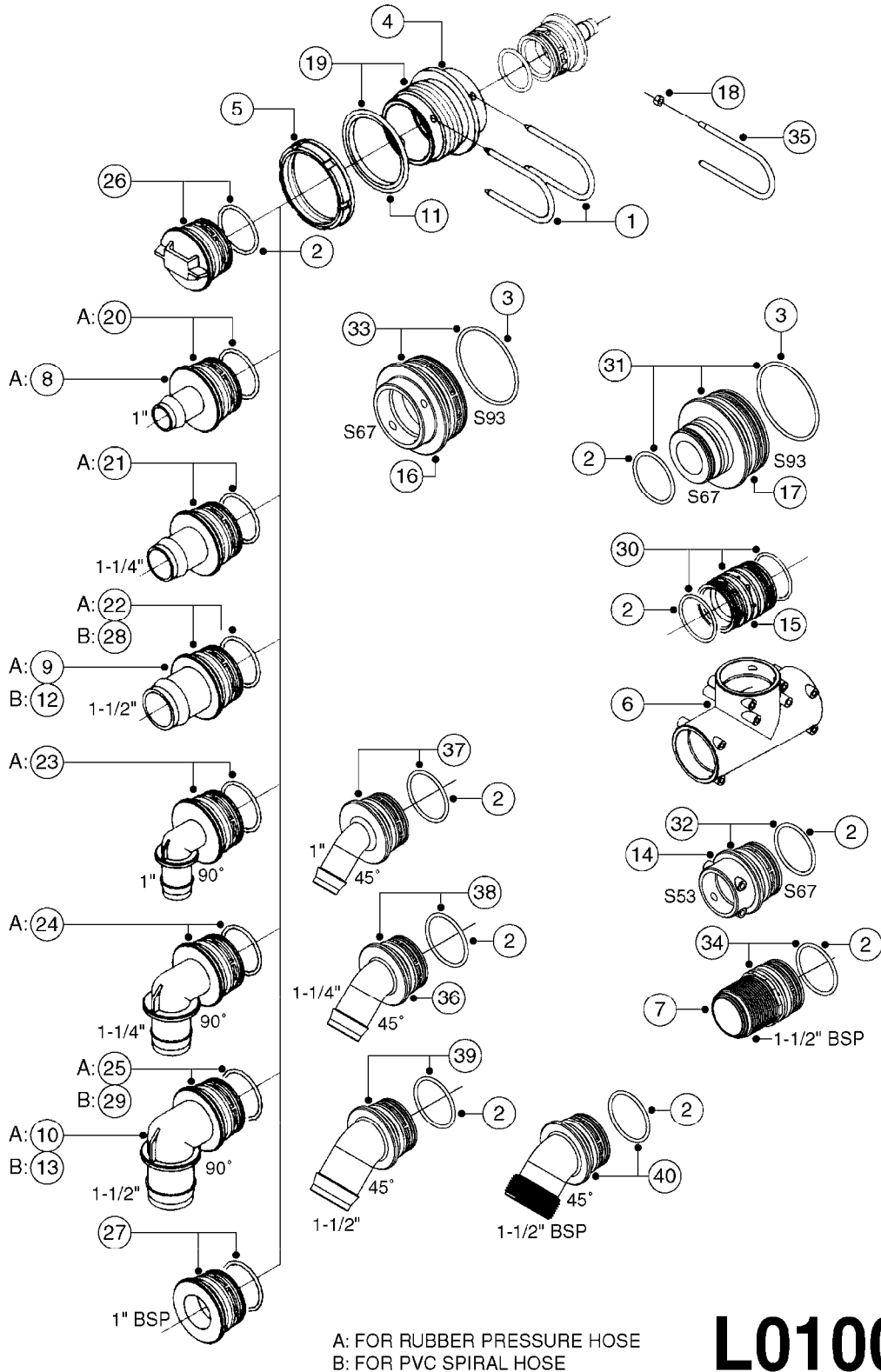


FITTINGS - S-56 & S-61
L0090-HIN, 01:01:16

Page 1

Date 04.11.2017 13:05

| parts-n° | order qty | description |
|----------|-----------|--------------------------------|
| 145661 | 1 | FITT.DK S-61 FORK |
| 241754 | 1 | O-RING D59.5X3 |
| 241883 | 1 | O-RING D39.2X3 NITRIL 242020 |
| 322055 | 1 | FITT.DK S-61 BULKHEAD |
| 322056 | 1 | FITT.DK S-61 BULKHEAD NUT |
| 322066 | 1 | FITT.DK S-56 NUT |
| 334050 | 1 | FITT.DK S-61 STR.1-1/4" |
| 334068 | 1 | FITT.DK S-61 STR.1" |
| 334091 | 1 | FITT.DK S-61 STR.1-1/2' |
| 334099 | 1 | FITT.DK S-61 ELB.1-1/2"110 DEG |
| 334100 | 1 | FITT.DK S-61 ELB.1" 110 DEG. |
| 334151 | 1 | FITT.DK S-61 ELB.1-1/4"110 DEG |
| 390231 | 1 | FITT.DK NIPPLE 1-1/2 X S56 |



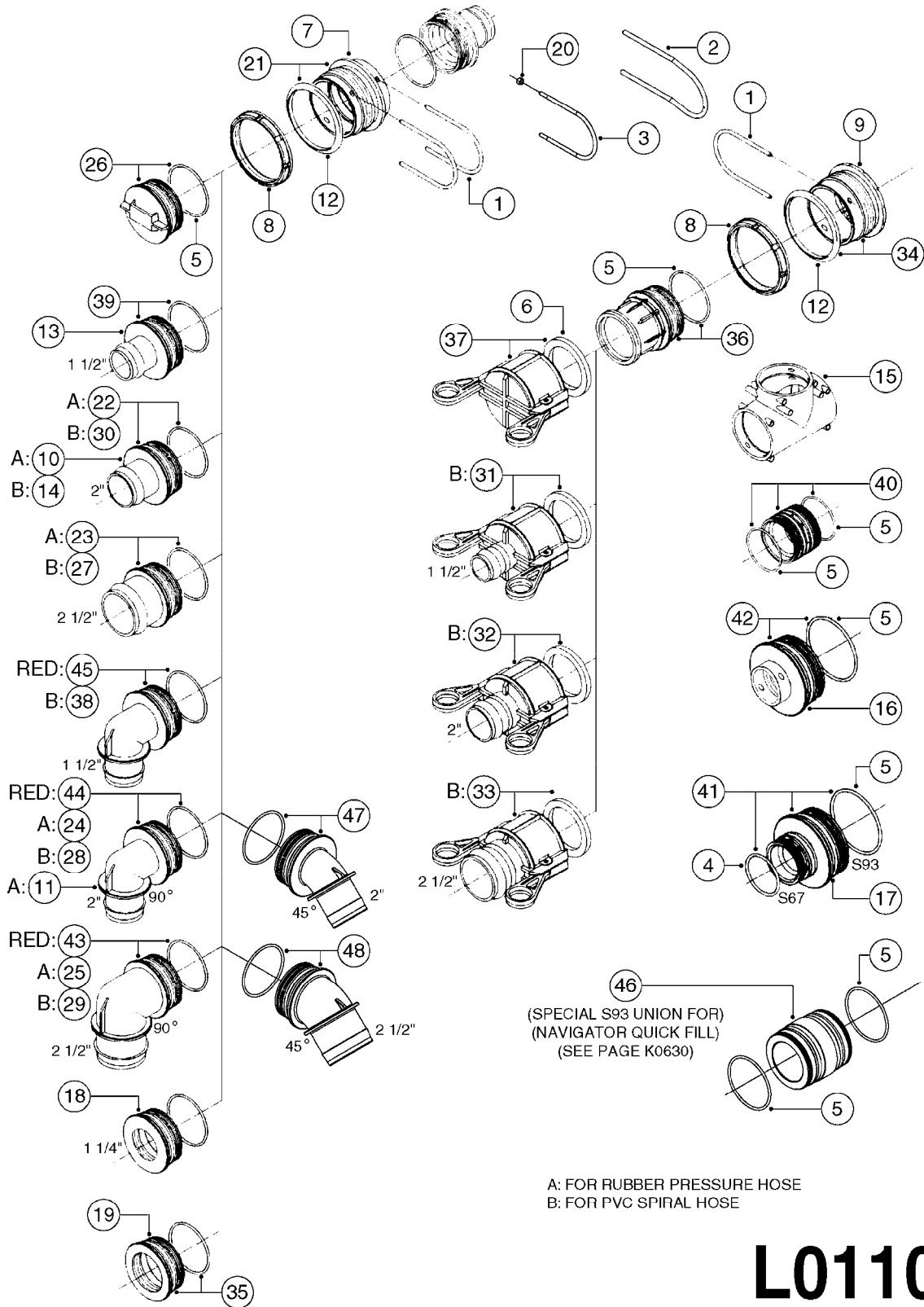
L0100



FITTINGS - S-67
L0100-HIN, 12:09:17

Page 1
Date 04.11.2017 13:05

| Pos. | parts-n° | order qty | description |
|------|----------|-----------|--|
| 1 | 145996 | 1 | FITT.DK S-67 FORK |
| 2 | 241973 | 1 | O-RING Ø3 X 44,2 70 SHORES NITRIL NITRIL (BLACK) |
| 2 | 242353 | 1 | O-RING D44.2X3.0 VITON F.S-67 VITON (BROWN) |
| 3 | 242092 | 1 | O-RING D69.5X3 NITRIL (BLACK) |
| 3 | 242351 | 1 | O-RING D69.5X3.0 VITON F.S-93 VITON (BROWN) |
| 4 | 322104 | 1 | FITT.DK S-67 BULKHEAD |
| 5 | 322108 | 1 | FITT.DK S-67 BULKHEAD NUT |
| 6 | 322224 | 1 | FITT.DK S-67 TEE |
| 7 | 322325 | 1 | FITT.DK S-67 X 1-1/2"BSP LONG |
| 8 | 334231 | 1 | HOSE TAIL S67 STRAIGHT 1" |
| 9 | 334233 | 1 | HOSE TAIL S67 1"1/2 STRAIGHT |
| 10 | 334245 | 1 | HOSE TAIL 90° S67 1"1/2 |
| 11 | 334261 | 1 | GASKET F. S-67 BULKHEAD |
| 12 | 334444 | 1 | HOSE TAIL S67 1"1/2 STRAIGHT |
| 13 | 334445 | 1 | HOSE TAIL 90° S67 1"1/2 |
| 14 | 334564 | 1 | FITT.DK S-67 TO S-53 ADAPTER |
| 15 | 334573 | 1 | CONNECTING PIECE S67-S67 |
| 16 | 334601 | 1 | FITTING S93M- S67F |
| 17 | 334634 | 1 | FITT.DK ADAPTER S-93M S67M |
| 18 | 461217 | 1 | NUT HEX M5 LOCK |
| 19 | 726464 | 1 | FITTING S67 BULKHEAD WITH GASKET |
| 20 | 726560 | 1 | FITT.DK S-67 STR.1" W.O'RING |
| 21 | 726561 | 1 | FITT.DK S-67 STR.1-1/4" O'RING |
| 22 | 726562 | 1 | FITT.DK.S-67 HB 1-1/2"W.O-RING |
| 23 | 726572 | 1 | FITT.DK S-67 1" ELBOW 90 ASSY. |
| 24 | 726573 | 1 | FITT. S67 5/4" 90° W/O-RING |
| 25 | 726574 | 1 | FITT.DK S67X90,1.5HB PRESSURE |
| 26 | 726579 | 1 | FITT. S67 PLUG W/O-RING |
| 27 | 726695 | 1 | FITT.DK S-67 X 1"BSP W.ORING |
| 28 | 727223 | 1 | FITT.S67 1.5" STRAIT S W/ORING |
| 29 | 727224 | 1 | FITT.DK S67X90,1.5HB SUCTION |
| 30 | 728526 | 1 | FITT.DK S-67 CONNECT W. ORINGS |
| 31 | 728527 | 1 | ADAPTER S67M TO S93M W/ORING |
| 32 | 728561 | 1 | REDUCER S67M - S53F + O-RING |
| 33 | 728562 | 1 | FITTING S93M-S67F+O-RING |
| 34 | 728578 | 1 | FITT.DK S-67X1-1/2"BSP LG W/OR |
| 35 | 14012200 | 1 | FITT.DK S-67 FORK W/M5 THREADS |
| 36 | 33509700 | 1 | HOSE TAIL 45° S67 1"1/4 |
| 37 | 72433000 | 1 | HOSE TAIL 45° S67 1" + O-RING FOR PRESSURE |
| 38 | 72433100 | 1 | FITT.DK S-67 45° 1-1/4"W/ORING |
| 39 | 72433200 | 1 | HOSE TAIL 45° S67 1"1/2+O-RING |
| 40 | 72433400 | 1 | FITT.S67 1-1/2" 45°BSP W/ORING |



L0110

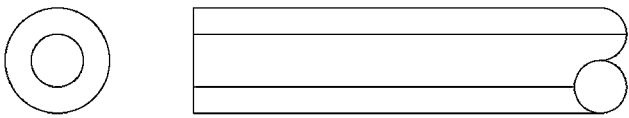
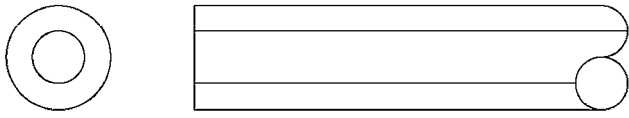
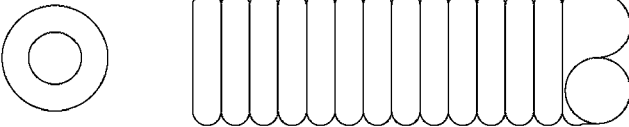
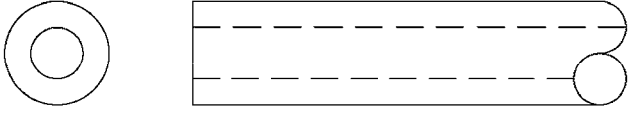
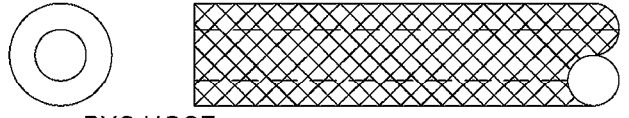
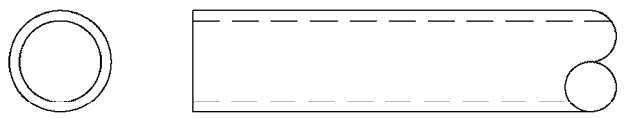


FITTINGS - S-93
L0110-HIN, 13:09:17

Page 1
Date 04.11.2017 13:05

| Pos. | parts-n° | order qty | description |
|------|----------|-----------|--|
| 1 | 145997 | 1 | FITT.DK S-93 FORK |
| 2 | 147115 | 1 | FITT.DK S-93 FORK SPECIAL |
| 3 | 147774 | 1 | FITT.DK S-93 FORK W. M5 THREAD |
| 4 | 241973 | 1 | O-RING Ø3 X 44,2 70 SHORES NITRIL NITRIL (BLACK) |
| 4 | 242353 | 1 | O-RING D44.2X3.0 VITON F.S-67 VITON (BROWN) |
| 5 | 242092 | 1 | O-RING D69.5X3 NITRIL (BLACK) |
| 5 | 242351 | 1 | O-RING D69.5X3.0 VITON F.S-93 VITON (BROWN) |
| 6 | 242221 | 1 | GASKET F. S-93 QUICK COUPLERS |
| 7 | 322105 | 1 | FITT.DK S-93 BULKHEAD DOUBLE |
| 8 | 322109 | 1 | FITT.DK S-93 BULKHEAD NUT |
| 9 | 322165 | 1 | FITT.DK S-93 BULKHEAD SINGLE |
| 10 | 334234 | 1 | FITT.DK S-93 STR.2" RUBBER |
| 11 | 334246 | 1 | FITT.DK S-93 ELB. 2' RUBBER |
| 12 | 334262 | 1 | GASKET F.S-93 BULKHEAD |
| 13 | 334304 | 1 | FITT.DK S-93 STR.1-1/2" PVC |
| 14 | 334426 | 1 | FITT.DK S-93 STR.2" |
| 15 | 334545 | 1 | FITT.DK S-93 TEE |
| 16 | 334601 | 1 | FITTING S93M- S67F |
| 17 | 334634 | 1 | FITT.DK ADAPTER S-93M S67M |
| 18 | 390485 | 1 | FITT.DK S-93 PLUG W D34 HOLE |
| 19 | 390721 | 1 | FITT.DK S-93 PLUG W/2" NPT THRE |
| 20 | 461217 | 1 | NUT HEX M5 LOCK |
| 21 | 726465 | 1 | FITTING S93 BULKHEAD WITH GASKET |
| 22 | 726563 | 1 | FITT.DK S-93 STR 2" W/O-RING |
| 23 | 726564 | 1 | HOSE TAIL 2 1/2" W.O-RING |
| 24 | 726575 | 1 | FITT.DK S-93 ELB. 2" RUBBER |
| 25 | 726576 | 1 | FITT. DK S-93 2 1/2" 90° |
| 26 | 726580 | 1 | FITT. S93 PLUG W/O-RING |
| 27 | 727133 | 1 | FITT. S93 2-1/2" STR. S W/O-RI |
| 28 | 727225 | 1 | FITT.DK S-93 ELB.2'PVC W/ORING |
| 29 | 727226 | 1 | FITT. S93 2-1/2" 90° S W/O-RING |
| 30 | 727227 | 1 | FITT.DK S-93 STR.2" W/ORING |
| 31 | 727235 | 1 | QUICK COUPLER FEMALE W 1-1/2HB |
| 32 | 727236 | 1 | QUICK COUPLER FEMALE W 2" HB |
| 33 | 727237 | 1 | QUICK COUPLER FEMALE W2-1/2" HB |
| 34 | 727339 | 1 | FITT. S93 DRAIN BULKHEAD W/O-R |
| 35 | 727476 | 1 | FITT. DK S-93 2"FM THD W.ORING |
| 36 | 727777 | 1 | QUICK COUPLER S93 DRAIN W/O-RI |
| 37 | 728120 | 1 | QUICK COUPLER CAP F.S93 DRAIN |
| 38 | 728395 | 1 | FITT.DK S-93 ELB.1-1/2" 90 DEG |
| 39 | 728523 | 1 | FITT.DK S-93 STR.1-1/2" |
| 40 | 728525 | 1 | FITT. S93 CONNECTOR W/O-RINGS |
| 41 | 728527 | 1 | ADAPTER S67M TO S93M W/ORING |
| 42 | 728562 | 1 | FITTING S93M-S67F+O-RING |
| 43 | 729828 | 1 | FITT.DK S-93 ELB 2-1/2" RED |
| 44 | 729829 | 1 | FITT.DK S-93 ELB 2 RED |
| 45 | 729830 | 1 | FITT.DK S-93 ELB 1-1/2" 90 RED |
| 46 | 39121700 | 1 | FITT.DK S93 ADAP LG MALE MALE |
| 47 | 72072700 | 1 | FITT.DK S-93 45D 2" PVC |
| 48 | 72072900 | 1 | FITT. S93 2-1/2" 45° S W/O-RING |



| I.D. | PART # (ONE FOOT) | |
|--|--|--|
| 3/8" 1/2" 3/4" 1" 1-1/4" | 92701703 92702103 92703203 92712403 92734403 |  <p>RUBBER HOSE SMOOTH, BLACK, TWO BLUE STRIPES</p> |
| 5/16" 3/8" 1/4" 1/2" 3/4" | 927281 927284 927268 927269 927270 |  <p>PVC HOSE SHINY, BLACK, SMOOTH, TWO WHITE STRIPES</p> |
| 1" 1-1/4" 1-1/2" 2" 2-1/2" | 92702403 92738900 92702603 92702703 92702803 |  <p>PVC SPIRAL SUCTION HOSE SHINY, RIBBED, GRAY</p> |
| 3/4" | 927205 |  <p>PVC HOSE CLEAR, SMOOTH</p> |
| 1/2" 3/4" | 10631003 927231 |  <p>PVC HOSE SMOOTH, CLEAR, REINFORCED WITH WHITE MESH</p> |
| 4mm 6mm 8mm 10mm | 927253 RED 927264 RED 927306 BLACK 927330 BLACK |  <p>PVC AIR HOSE SMOOTH</p> |

L0120

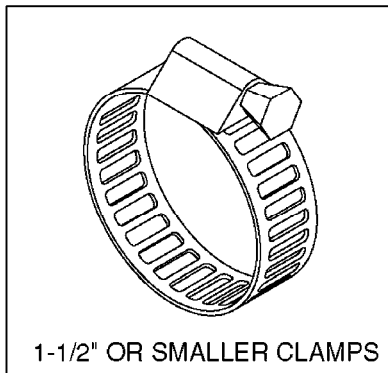


BULK HOSE
L0120-HIN, 01:01:16

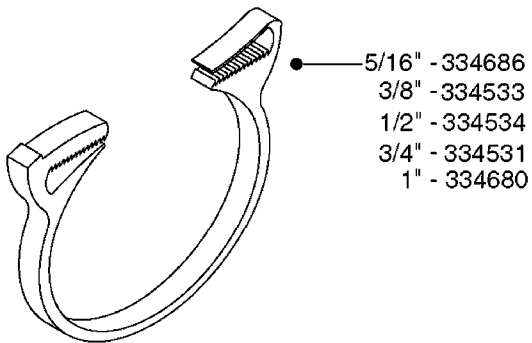
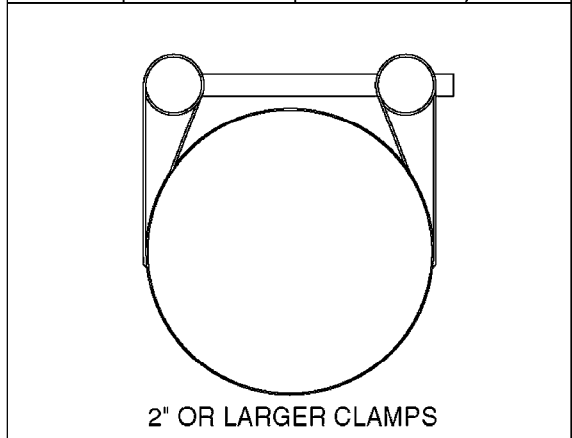
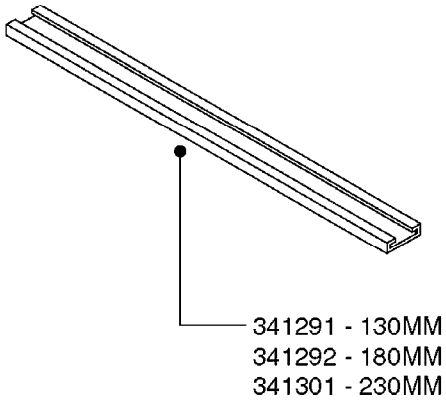
Page 1

Date 04.11.2017 13:05

| parts-n° | order qty | description |
|----------|-----------|--------------------------------|
| 927205 | 1 | HOSE R X CLEAR X 3/4 X 0012" |
| 927231 | 1 | HOSE R X PVCX3/4 CLR/BRD 0012" |
| 927253 | 1 | AIR HOSE, DIAMETER 4MM |
| 927264 | 1 | HOSE R X PE D6/D4 X 0012" |
| 927268 | 1 | HOSE R X PVC X 1/4 X 0012" |
| 927269 | 1 | HOSE R X PVC X 1/2 X 0012" |
| 927270 | 1 | HOSE R X PVC X 3/4 X 0012" |
| 927281 | 1 | HOSE R X PVC X 5/16 X 0012" |
| 927284 | 1 | HOSE 3/8 PVC W/ INSERT |
| 927306 | 1 | HOSE R X PE D8/D6 X 0012"BLACK |
| 927330 | 1 | HOSE R X PE D10/D8 X 012"BLACK |
| 10631003 | 1 | HOSE R X CLEAR BRAID.X 1/2 12" |
| 92701703 | 1 | HOSE R X3/8" X300PSI WP X0012" |
| 92702103 | 1 | HOSE R X1/2" X300PSI WP X0012" |
| 92702403 | 1 | HOSE PVC SUCT GRAY 1" |
| 92702603 | 1 | HOSE PVC SUCT GRAY 1-1/2" |
| 92702703 | 1 | HOSE PVC SUCT GRAY 2" |
| 92702803 | 1 | HOSE PVC SUCT GRAY 2.5" |
| 92703203 | 1 | HOSE R X3/4" X300PSI WP X0012" |
| 92712403 | 1 | HOSE R X1" X300PSI WP X0012" |
| 92734403 | 1 | HOSE R X5/4" X200PSI WP X0012" |
| 92738900 | 1 | HOSE R X PVC X 1-1/4" 0012" |



| Hose Size | Pressure | Suction | Clamp Code |
|-----------|----------|----------|------------|
| 3/8" | 28029803 | | 6706 |
| 1/2" | 28029803 | | 6706 |
| 3/4" | 28029903 | | 6712 |
| 1" | 28030003 | 28029903 | 6716 |
| 1-1/4" | 28030103 | | 6724 |
| 1-1/2" | | 28030103 | 6724 |
| 2" | | 28030203 | 235-67 |
| 2-1/2" | | 28030303 | 235-74 |
| 3" | | 28030403 | 235-82 |



L0130



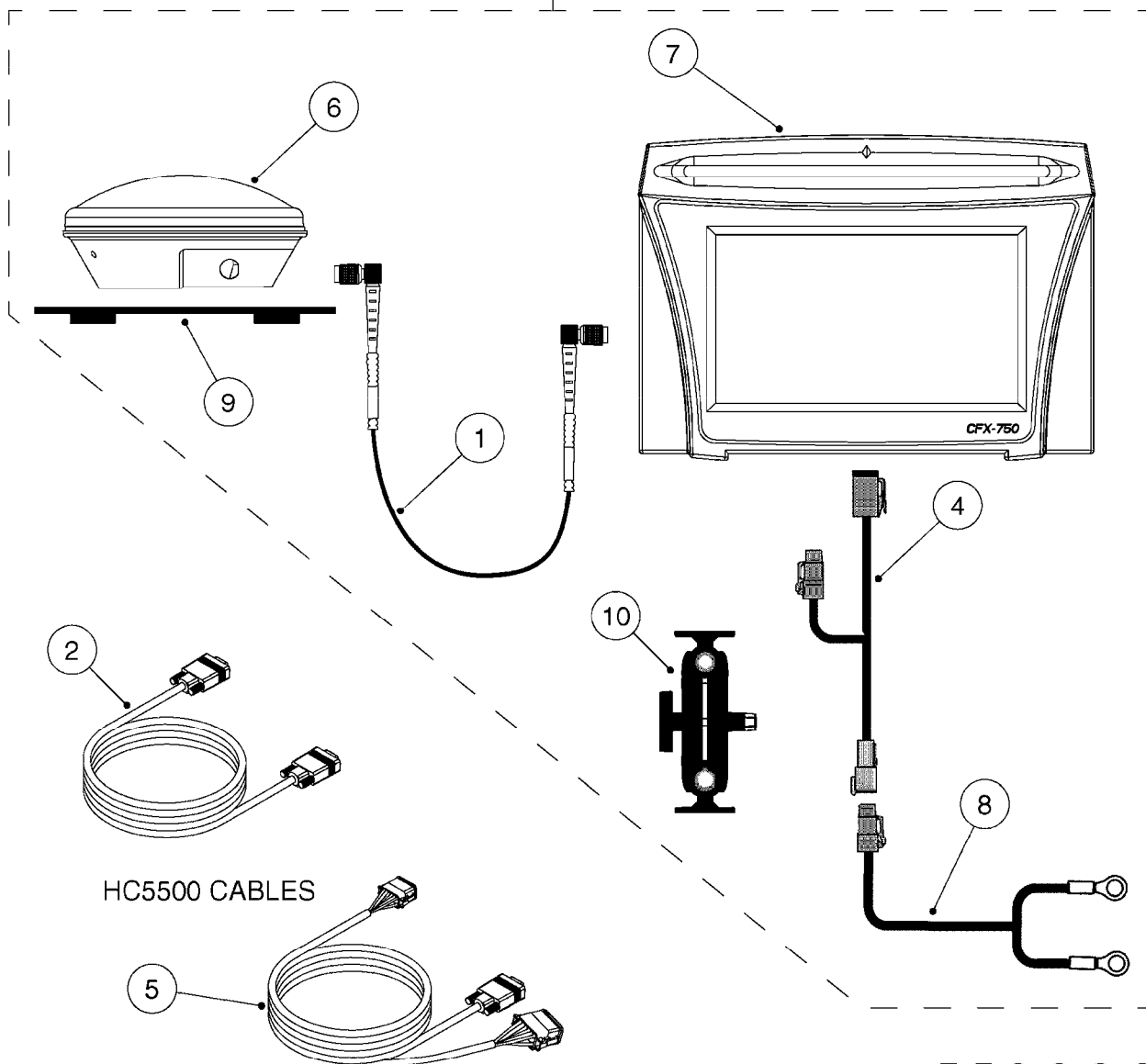
HOSE CLAMPS
L0130-HIN, 01:01:16

Page 1
Date 04.11.2017 13:05

| parts-n° | order qty | description |
|----------|-----------|--------------------------------|
| 334531 | 1 | CLAMP HOSE PLASTIC 3/4" |
| 334533 | 1 | CLAMP HOSE PLASTIC 3/8" |
| 334534 | 1 | CLAMP HOSE PLASTIC 1/2" |
| 334680 | 1 | CLAMP HOSE PLASTIC 1" |
| 334686 | 1 | CLAMP HOSE PLASTIC 5/16" |
| 341291 | 1 | RUBBER HOSE CLAMP COVER 130MM |
| 341292 | 1 | RUBBER HOSE CLAMP COVER 180MM |
| 341301 | 1 | RUBBER HOSE CLAMP COVER 230MM |
| 28029803 | 1 | CLAMP HOSE GEAR P1/2" 6708 |
| 28029903 | 1 | CLAMP HOSE GEAR P3/4"-S1" 6712 |
| 28030003 | 1 | CLAMP HOSE GEAR P1" 6716 |
| 28030103 | 1 | CLAMP HOSE GEAR P5/4-S1.5"6724 |
| 28030203 | 1 | CLAMP HOSE T-BOLT S2" 235-67 |
| 28030303 | 1 | CLAMP HOSE T-BOLT S2.5" 235-76 |
| 28030403 | 1 | CLAMP HOSE T-BOLT S3" 235-82 |



3 COMPLETE ASSEMBLY



M0030

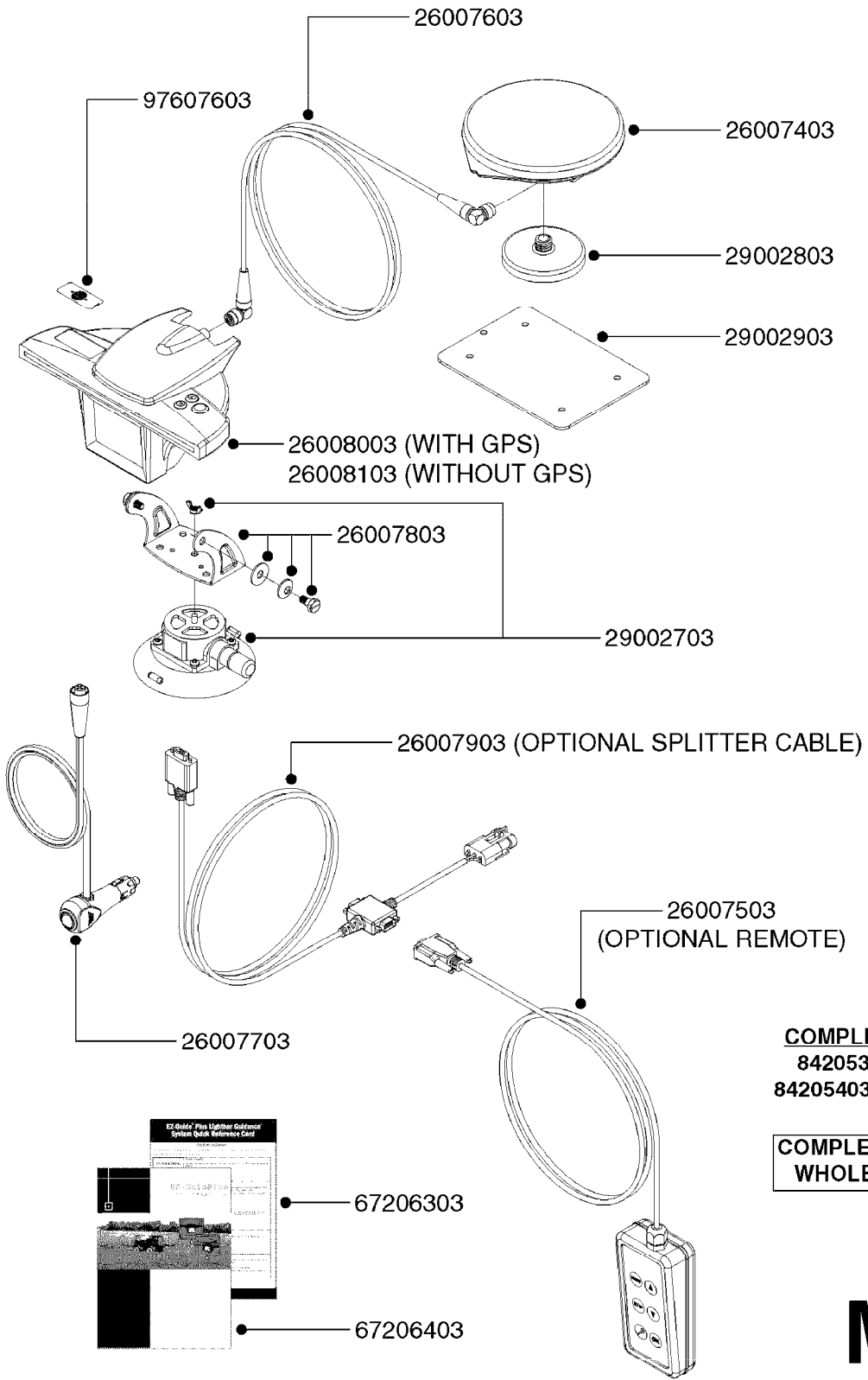


CFX-750 DISPLAY, DGPS
M0030-HIN, 01:01:16

Page 1

Date 04.11.2017 13:05

| Pos. | parts-n° | order qty | description |
|------|----------|-----------|--------------------------------|
| 1 | 26007603 | 1 | CABLE, ANTENNA, EZGUIDEPLUS |
| 2 | 26012003 | 1 | NULL MODEM CABLE |
| 3 | 26021403 | 1 | CFX-750 DISPLAY, DGPS |
| 4 | 26021603 | 1 | CABLE, POWER BUS, CAN CFX-750 |
| 5 | 26021703 | 1 | CABLE, ASC INTERFACE, CFX-750 |
| 6 | 26021803 | 1 | AG-25 ANTENNA L1/L2 GLN |
| 7 | 26022103 | 1 | CFX-750 DISPLAY ONLY |
| 8 | 26022603 | 1 | CFX-750 Basic Power Cable |
| 9 | 28048203 | 1 | EZ-GUIDE 500 MOUNT F.AG15 ANT. |
| 10 | 28048303 | 1 | EZ-GUIDE 250/500 RAM MNT.1.5" |



COMPLETE ASSEMBLY:
84205303 (WITH GPS)
84205403 (WITHOUT GPS)

**COMPLETE ASSEMBLIES
WHOLEGOODS ITEMS**

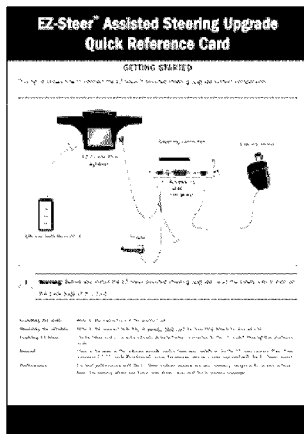
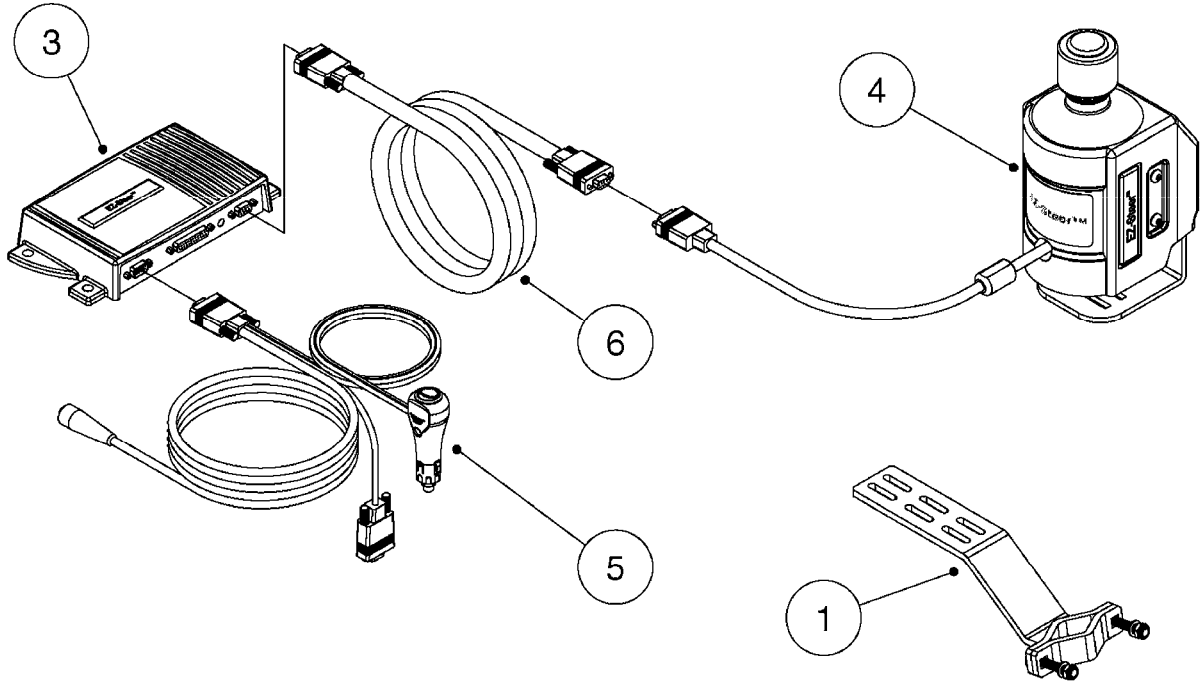
M0040



EZ-GUIDE PLUS LIGHT BAR
M0040-HIN, 01:01:16

Page 1
Date 04.11.2017 13:05

| parts-n° | order qty | description |
|----------|-----------|--------------------------------|
| 26007403 | 1 | ANTENNA,HURRICANE F. EZGUIDEPL |
| 26007503 | 1 | REMOTE KEYPAD EZ-GUIDE PLUS |
| 26007603 | 1 | CABLE, ANTENNA, EZGUIDEPLUS |
| 26007703 | 1 | CABLE, POWER F. EZGUIDEPLUS |
| 26007803 | 1 | BRACKET KIT F. EZGUIDEPLUS |
| 26007903 | 1 | EZ-Guide 500 External Interfac |
| 26008003 | 1 | LIGHT BAR ASSM WITH GPS |
| 26008103 | 1 | LIGHT BAR ASSM WITHOUT GPS |
| 29002703 | 1 | VACUUM CUP 4 1/2" 1420I |
| 29002803 | 1 | MOUNT, MAG F. ANTENNA |
| 29002903 | 1 | PLATE, F. ANTENNA MOUNT |
| 67206303 | 1 | QUICK REFERENCE CARD EZ-GUIDE+ |
| 67206403 | 1 | MANUAL EZ GUIDE PLUS |
| 84205303 | 1 | EZ GUIDE PLUS W GPS, NO LABLE |
| 84205403 | 1 | EZ GUIDE PLUS W/O GPS,NO LABLE |
| 97607603 | 1 | DECAL COMPANY 45MM X 20MM |



COMPLETE ASSEMBLY 8

COMPLETE ASSEMBLIES
WHOLEGOODS ITEMS

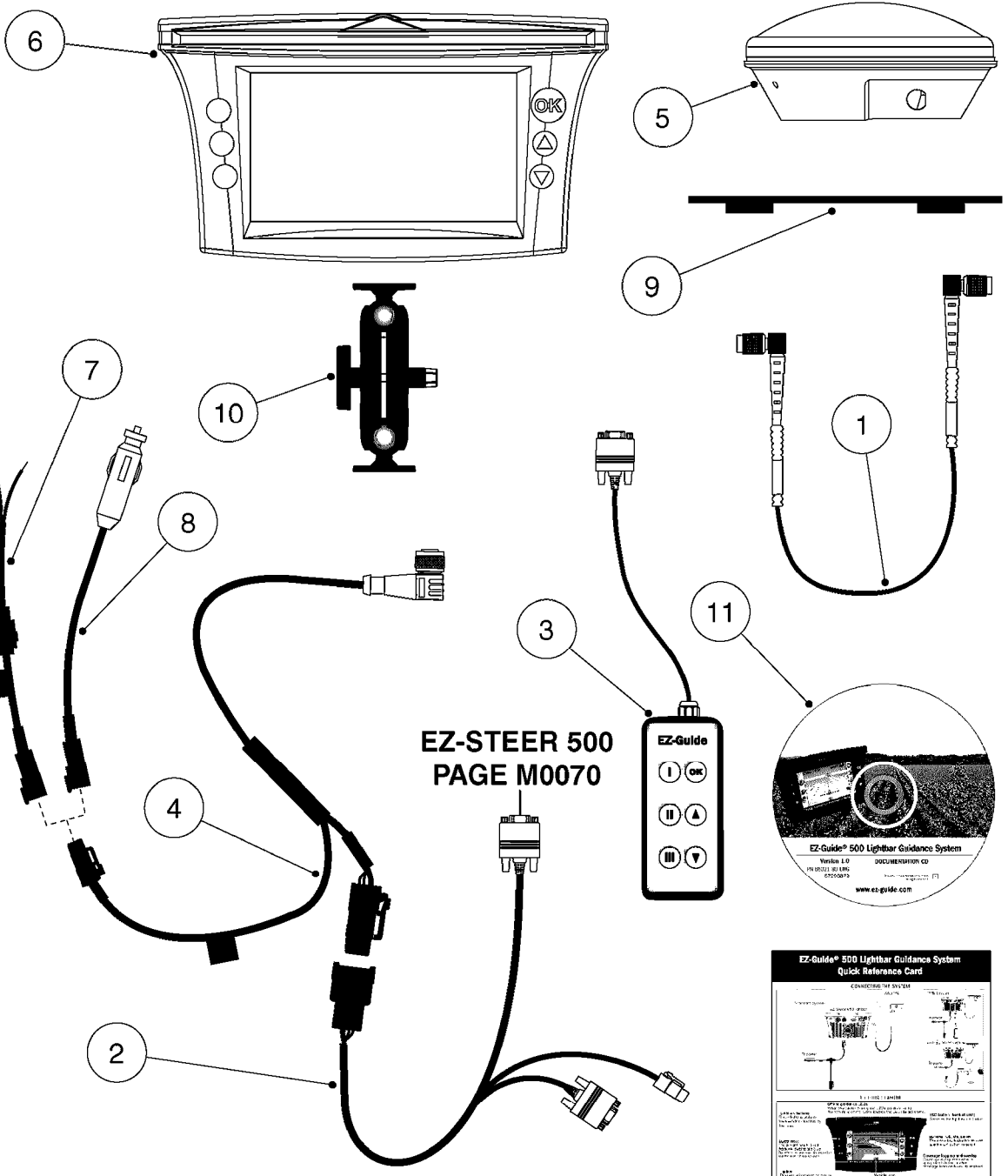
M0050



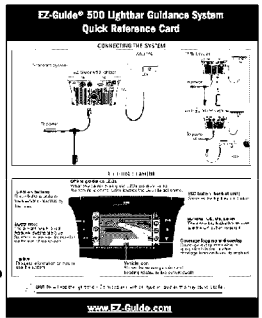
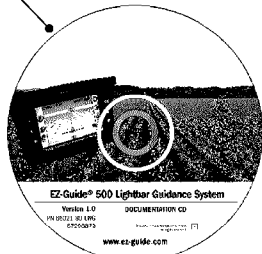
EZ-STEER STEERING SYSTEM
M0050-HIN, 01:01:16

Page 1
Date 04.11.2017 13:05

| Pos. | parts-n° | order qty | description |
|------|----------|-----------|--------------------------------|
| 1 | 26008803 | 1 | EZ-STR.BKT-JD 4000,8000 4WD |
| 1 | 26008903 | 1 | EZ-STR.BKT-JD80002WD,7X20,9000 |
| 1 | 26009003 | 1 | EZ-STR.BKT-CASE IH 7100/7200 |
| 1 | 26009103 | 1 | EZ-STR.BKT-JD COMBINE&ROGATOR |
| 1 | 26009203 | 1 | EZ-STR.BKT-JD 6000,7000 |
| 1 | 26009303 | 1 | EZ-STR.BKT-BUHLER,NH VERSATILE |
| 1 | 26009403 | 1 | EZ-STR.BKT-STEIGER,NH VERSATIL |
| 1 | 26009503 | 1 | EZ-STR.BKT-INTERNATIONAL TRUCK |
| 1 | 26009603 | 1 | EZ-STR.BKT-AGCHEM TERRAGATOR |
| 1 | 26009703 | 1 | EZ-STR.BKT-CASE IH MXM |
| 1 | 28036903 | 1 | EZ-STR.BKT-CASE IH COMB.1600 |
| 1 | 28037003 | 1 | EZ-STR.BKT-JD 89XX,71XX,72XX |
| 1 | 28037103 | 1 | EZ-STR.BKT-JD 8000/9000 |
| 1 | 28037203 | 1 | EZ-STR.T2 TERRAIN COMP.UPDATE |
| 1 | 28037303 | 1 | EZ-STR.BKT-SPR.COUPE 3000/4000 |
| 1 | 28038203 | 1 | EZ-STR.BKT-FENDT 924 |
| 1 | 28046503 | 1 | EZ-STR.BKT-AGCO DT/RT,MF64/74 |
| 1 | 28047803 | 1 | EZ-STR.BKT.-NH TVT,CASE IH CVX |
| 1 | 28050203 | 1 | EZ-STR.BKT-CASE JX(U),NH TL(A) |
| 1 | 28055203 | 1 | EZ-STR.BKT-CASE MXM/N.HOLLAND |
| 1 | 28055903 | 1 | EZ-STR.BKT-WILMAR EAGLE |
| 2 | 26009803 | 1 | EZ-STEER FOAM WHEELS 4-PK |
| 3 | 26009903 | 1 | EZ-STEER CONTROLLER |
| 4 | 26010003 | 1 | EZ-STEER MOTOR KIT |
| 5 | 26010103 | 1 | EZ-STEER POWER CABLE |
| 6 | 26010203 | 1 | EZ-STEER MOTOR CABLE 3M |
| 7 | 67210803 | 1 | QUICK REFERENCE CARD EZ-STEER |
| 8 | 84205503 | 1 | EZ-STEER SYSTEM COMPLETE |



EZ-STEER 500
PAGE M0070



COMPLETE ASSEMBLY 13

COMPLETE ASSEMBLIES
WHOLEGOODS ITEMS

M0060

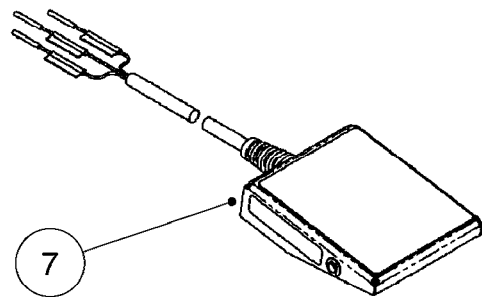
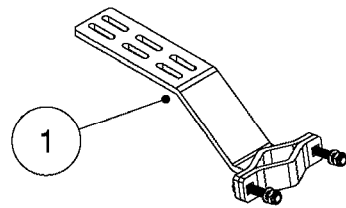
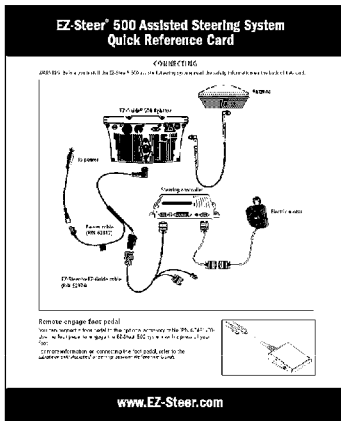
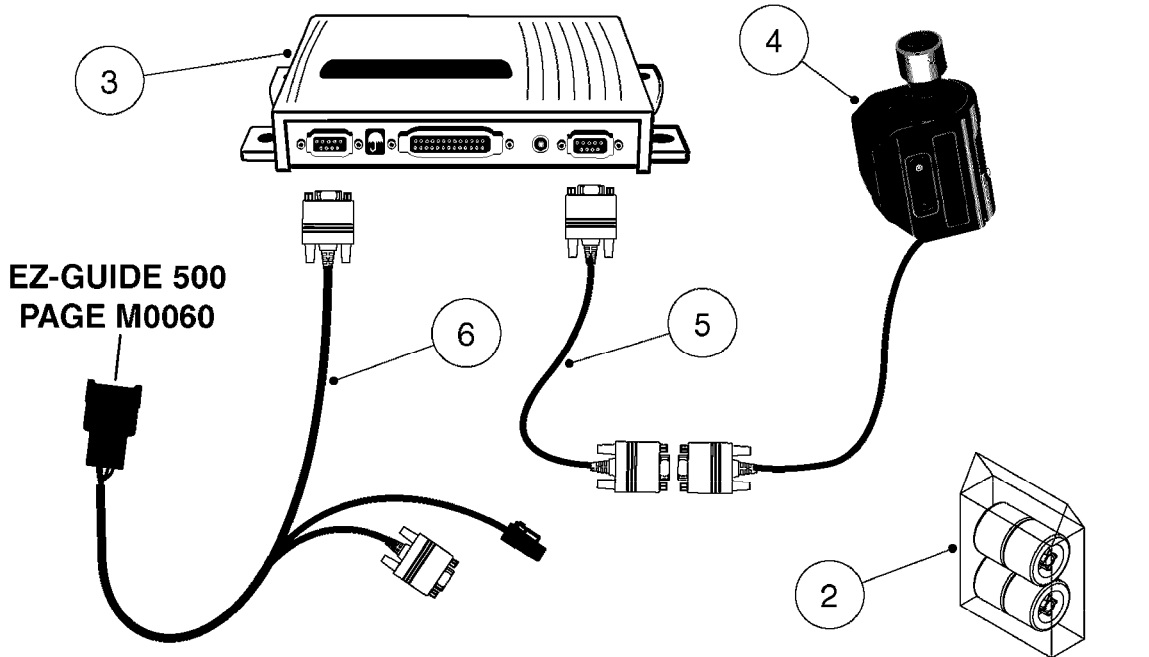


EZ-GUIDE 500 LIGHTBAR
M0060-HIN, 01:01:16

Page 1

Date 04.11.2017 13:05

| Pos. | parts-n° | order qty | description |
|------|----------|-----------|--------------------------------|
| 1 | 26007603 | 1 | CABLE, ANTENNA, EZGUIDEPLUS |
| 2 | 26012203 | 1 | EZ-STEER/GUIDE 500 ADAPT.CABLE |
| 3 | 26015303 | 1 | REMOTE KEYPAD EZGUIDE 500/250 |
| 3 | 28048403 | 1 | DECAL - REMOTE OVERLAY 500/250 |
| 4 | 26015403 | 1 | EZ-GUIDE 500 CABLE POWER/CAN90 |
| 5 | 26015503 | 1 | EZ-GUIDE 500 Z PLUS ANTENNA |
| 5 | 26015603 | 1 | ANTENNA AG15 L1,EZ GDE 500/250 |
| 6 | 26015703 | 1 | EZ-GUIDE 500 DGPS DISPLAY |
| 6 | 26015803 | 1 | EZ-GUIDE 500 OMNISTAR DISPLAY |
| 7 | 26016103 | 1 | EZ-GUIDE 500 CABLE UNTERM.FUSE |
| 8 | 26016203 | 1 | EZ-GUIDE 500 POWER CONN.CABLE |
| 9 | 28048203 | 1 | EZ-GUIDE 500 MOUNT F.AG15 ANT. |
| 10 | 28048303 | 1 | EZ-GUIDE 250/500 RAM MNT.1.5" |
| 11 | 29003803 | 1 | EZ-GUIDE 500 CD,GET.STARTED V1 |
| 12 | 67215403 | 1 | EZ-GUIDE 500 QUICK REF.CARD V1 |
| 13 | 84208303 | 1 | EZ GUIDE 500 LIGHTBAR (DGPS) |
| 13 | 84208403 | 1 | EZ GUIDE 500 LIGHTBAR (XP/HP) |
| 13 | 84208503 | 1 | EZ GUIDE 500 LIGHTBAR (RTK) |



COMPLETE ASSEMBLY 9

**COMPLETE ASSEMBLIES
WHOLEGOODS ITEMS**

M0070

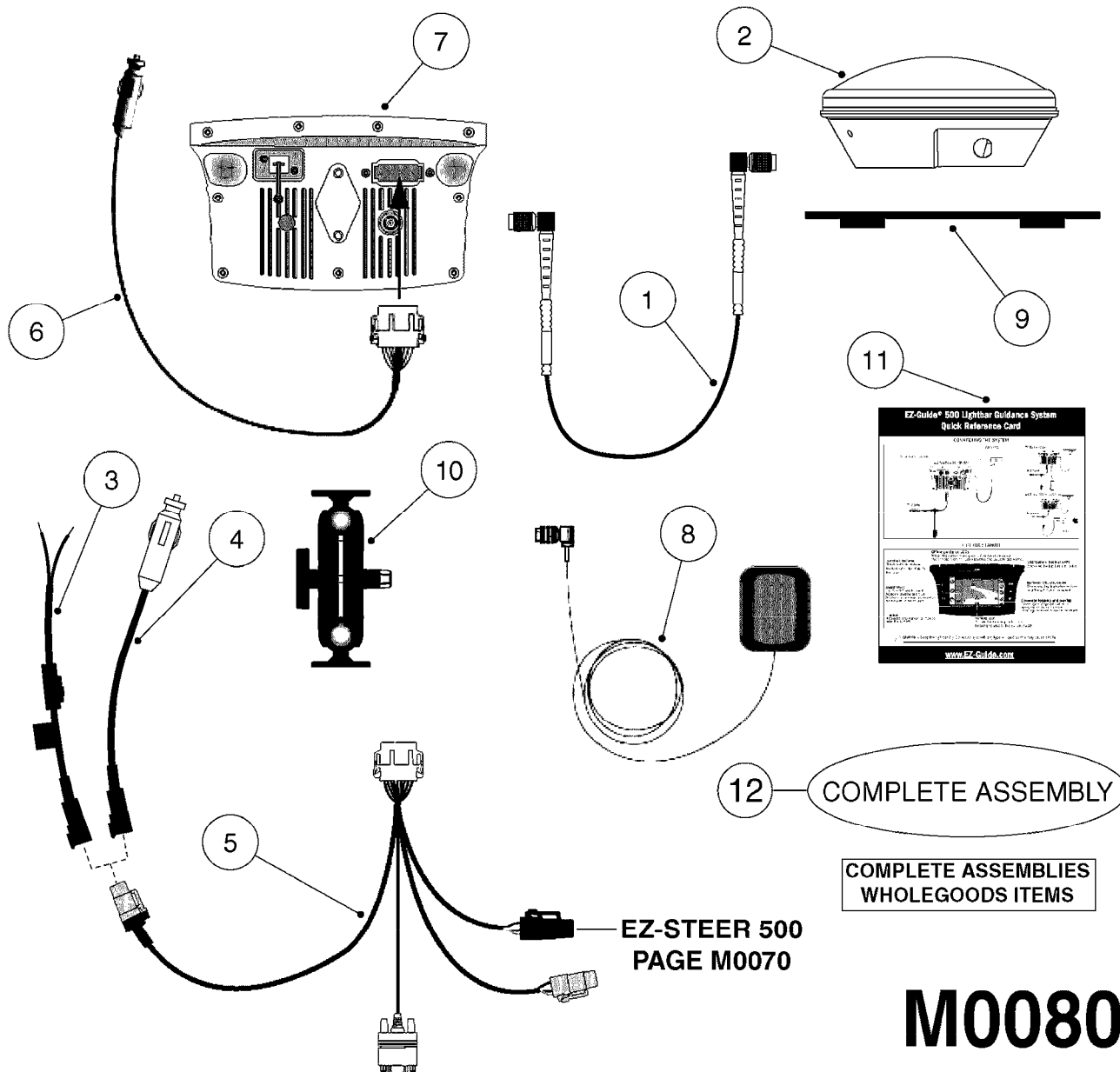


EZ-STEER 500 STEERING SYSTEM
M0070-HIN, 01:01:16

Page 1

Date 04.11.2017 13:05

| Pos. | parts-n° | order qty | description |
|------|----------|-----------|---------------------------------|
| 1 | 26008803 | 1 | EZ-STR.BKT-JD 4000,8000 4WD |
| 1 | 26008903 | 1 | EZ-STR.BKT-JD80002WD,7X20,9000 |
| 1 | 26009003 | 1 | EZ-STR.BKT-CASE IH 7100/7200 |
| 1 | 26009103 | 1 | EZ-STR.BKT-JD COMBINE&ROGATOR |
| 1 | 26009203 | 1 | EZ-STR.BKT-JD 6000,7000 |
| 1 | 26009303 | 1 | EZ-STR.BKT-BUHLER,NH VERSATILE |
| 1 | 26009403 | 1 | EZ-STR.BKT-STEIGER,NH VERSATIL |
| 1 | 26009503 | 1 | EZ-STR.BKT-INTERNATIONAL TRUCK |
| 1 | 26009603 | 1 | EZ-STR.BKT-AGCHEM TERRAGATOR |
| 1 | 26009703 | 1 | EZ-STR.BKT-CASE IH MXM |
| 1 | 28036903 | 1 | EZ-STR.BKT-CASE IH COMB.1600 |
| 1 | 28037003 | 1 | EZ-STR.BKT-JD 89XX,71XX,72XX |
| 1 | 28037103 | 1 | EZ-STR.BKT-JD 8000/9000 |
| 1 | 28037203 | 1 | EZ-STR.T2 TERRAIN COMP.UPDATE |
| 1 | 28037303 | 1 | EZ-STR.BKT-SPR.COUPPE 3000/4000 |
| 1 | 28038203 | 1 | EZ-STR.BKT-FENDT 924 |
| 1 | 28046503 | 1 | EZ-STR.BKT-AGCO DT/RT,MF64/74 |
| 1 | 28047803 | 1 | EZ-STR.BKT.-NH TVT,CASE IH CVX |
| 1 | 28050203 | 1 | EZ-STR.BKT-CASE JX(U),NH TL(A) |
| 1 | 28055203 | 1 | EZ-STR.BKT-CASE MXM/N.HOLLAND |
| 1 | 28055903 | 1 | EZ-STR.BKT-WILMAR EAGLE |
| 2 | 26009803 | 1 | EZ-STEER FOAM WHEELS 4-PK |
| 3 | 26009903 | 1 | EZ-STEER CONTROLLER |
| 4 | 26010003 | 1 | EZ-STEER MOTOR KIT |
| 5 | 26010203 | 1 | EZ-STEER MOTOR CABLE 3M |
| 6 | 26012203 | 1 | EZ-STEER/GUIDE 500 ADAPT.CABLE |
| 7 | 26012503 | 1 | EZ-STR.FOOT SWITCH & ACC.CABLE |
| 8 | 67214803 | 1 | EZ-STR.REF.GUIDE V3 SPARE |
| 8 | 67214903 | 1 | EZ-STEER QUICK REF.CARD V3 |
| 8 | 67215203 | 1 | EZ-STEER 500 QUICK REF.CARD V1 |
| 8 | 67215303 | 1 | MANUAL EZ-STEER 500 REF V1 |
| 9 | 84208603 | 1 | EZ-STEER 500/250 SYS. COMPLETE |



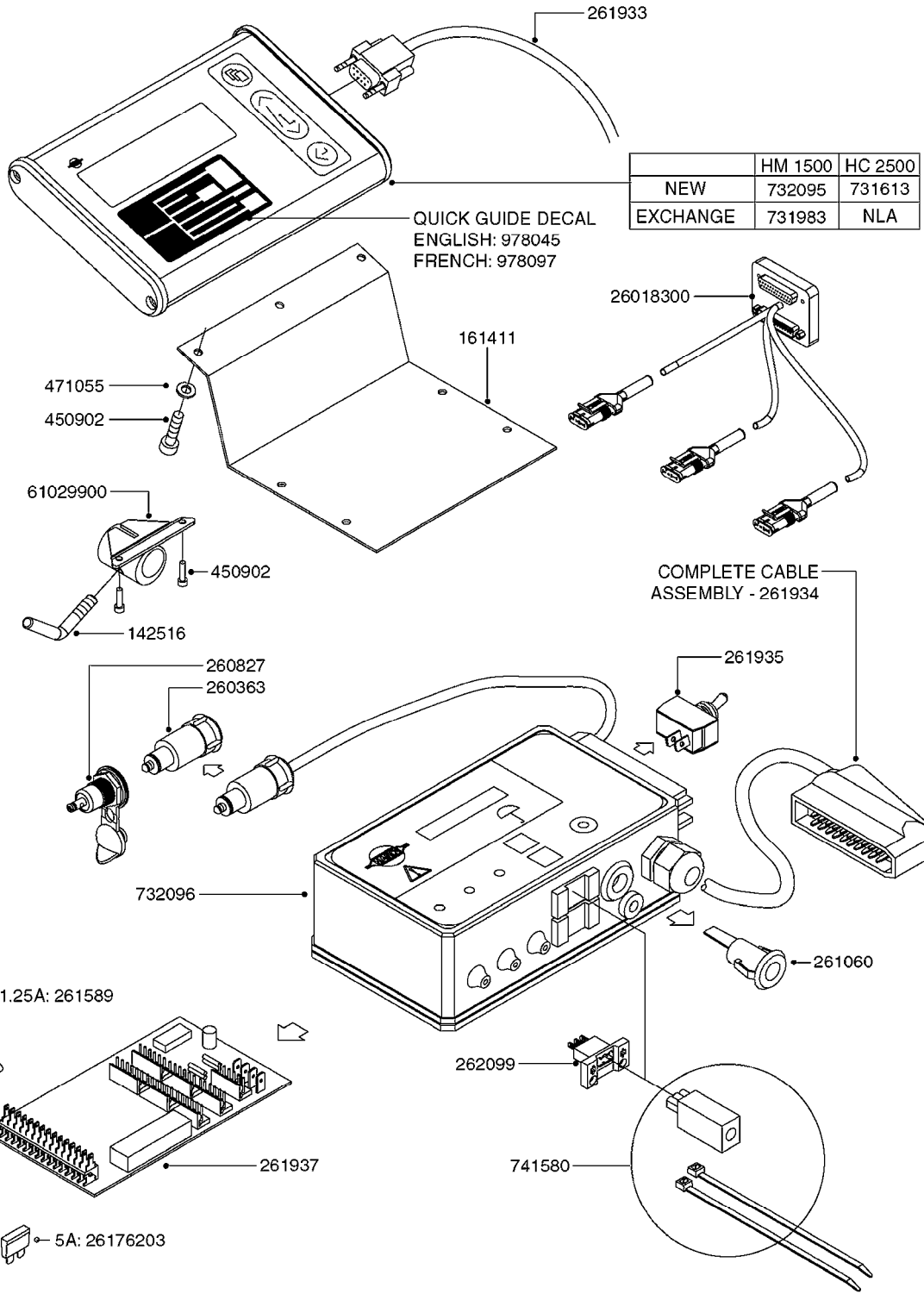


EZ-GUIDE 250 LIGHTBAR
M0080-HIN, 01:01:16

Page 1

Date 04.11.2017 13:05

| Pos. | parts-n° | order qty | description |
|------|----------|-----------|--------------------------------|
| 1 | 26007603 | 1 | CABLE, ANTENNA, EZGUIDEPLUS |
| 2 | 26015603 | 1 | ANTENNA AG15 L1,EZ GDE 500/250 |
| 3 | 26016103 | 1 | EZ-GUIDE 500 CABLE UNTERM.FUSE |
| 4 | 26016203 | 1 | EZ-GUIDE 500 POWER CONN.CABLE |
| 5 | 26017303 | 1 | EZ-GUIDE 250 ALL PORT CABLE |
| 6 | 26017703 | 1 | EZ-GUIDE 250 POWER CABLE |
| 7 | 26017803 | 1 | EZ-GUIDE 250 LIGHTBAR DISPLAY |
| 8 | 26017903 | 1 | EZ-GUIDE 250 PATCH ANTENNA |
| 9 | 28048203 | 1 | EZ-GUIDE 500 MOUNT F.AG15 ANT. |
| 10 | 28048303 | 1 | EZ-GUIDE 250/500 RAM MNT.1.5" |
| 11 | 67217403 | 1 | EZ-GUIDE 250 QUICK REF.CARD |
| 12 | 84210603 | 1 | EZ GUIDE 250 LIGHTBAR |



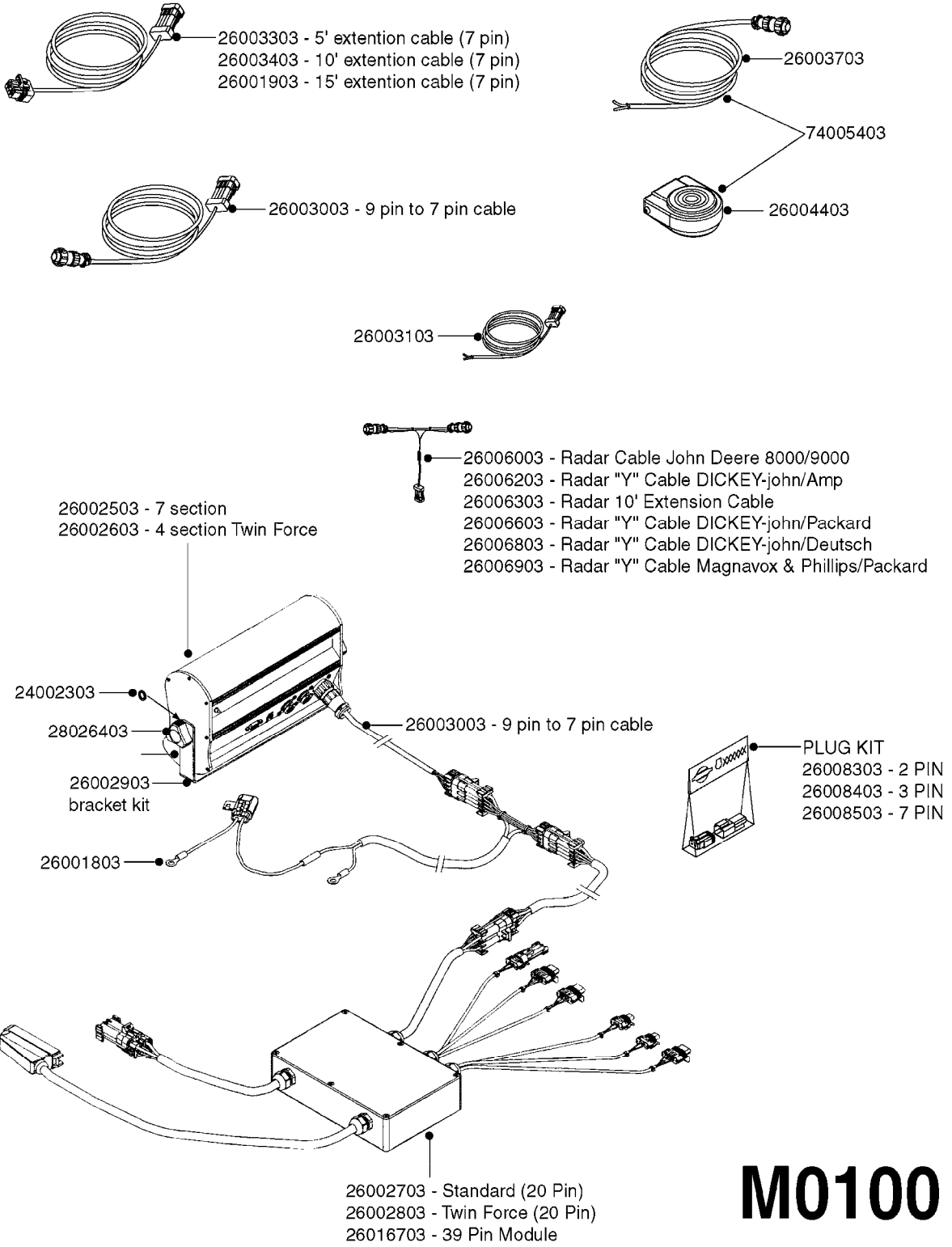
M0090



HC 2500/HM1500 DISPLAY/SCANBOX
M0090-HIN, 01:01:16

Page 1
Date 04.11.2017 13:05

| parts-n° | order qty | description |
|----------|-----------|---|
| 142516 | 1 | SCREW SET M10 BENT F. LOCKING |
| 161411 | 1 | MT.BRK. HC2500/HM1500 DISPLAY |
| 26018300 | 1 | ADAPTOR 2500 FOR SPRAYBOX II 39-PIN/REPLACES SCANBOX |
| 260363 | 1 | PLUG 2 POLE 12V |
| 260827 | 1 | PLUG F.EC ATTACHMENTS |
| 261060 | 1 | PLUG F.EC ATTACHMENTS |
| 261589 | 1 | FUSE 5 X 20 1.25 AMP |
| 26176203 | 1 | FUSE 5.0A QUICK-ACT. |
| 261933 | 1 | CABLE W/PLUG 2X25 L=71" |
| 261934 | 1 | CABLE W/PLUG 18X0.5MM L=79" |
| 261935 | 1 | SWITCH 2 POLE |
| 261937 | 1 | CIRCUIT BOARD F. SCANBOX |
| 262099 | 1 | PLUG SOCKET 3-POLE 2.5/3 |
| 450902 | 1 | BOLT ALLEN HEAD M4 X 16MM |
| 471055 | 1 | WASHER D4.1/7.6 X 0.9 |
| 61029900 | 1 | BRACKET FOR HC2500 |
| 731613 | 1 | DISPLAY HC2500 NEW |
| 731983 | 1 | DISPLAY HM1500 REFURBISHED |
| 732095 | 1 | DISPLAY HM1500 NEW |
| 732096 | 1 | SCANBOX F.HM1500/HC2500 |
| 741580 | 1 | PLUG 3-POLE 2.5/3 |
| 978045 | 1 | DECAL QUICK GUIDE 1500/2500 |
| 978097 | 1 | DECAL QUICK GUIDE 1500/2500 FR |



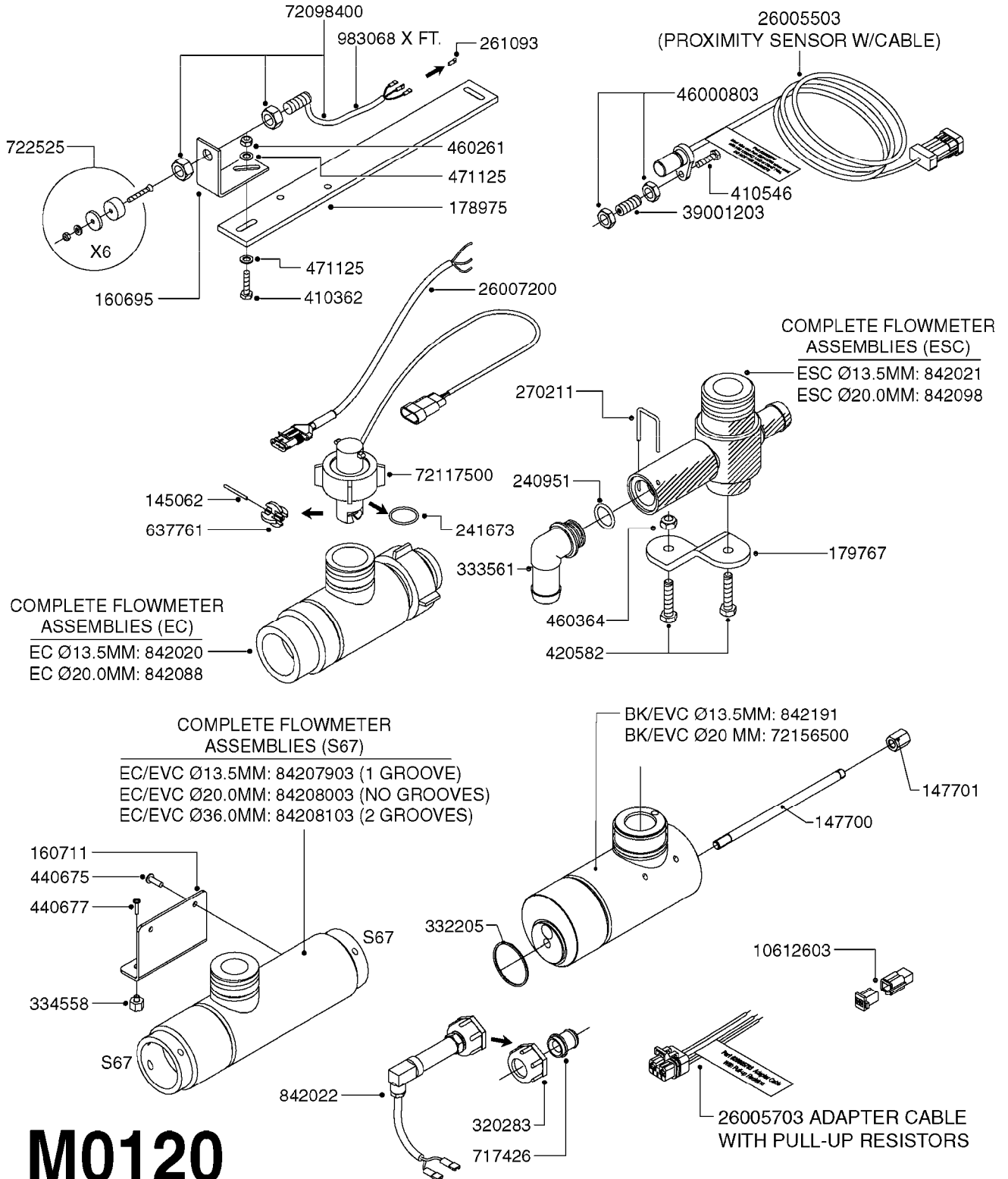
M0100



MUSTANG 3500 CONTROLLER
M0100-HIN, 01:01:16

Page 1
Date 04.11.2017 13:05

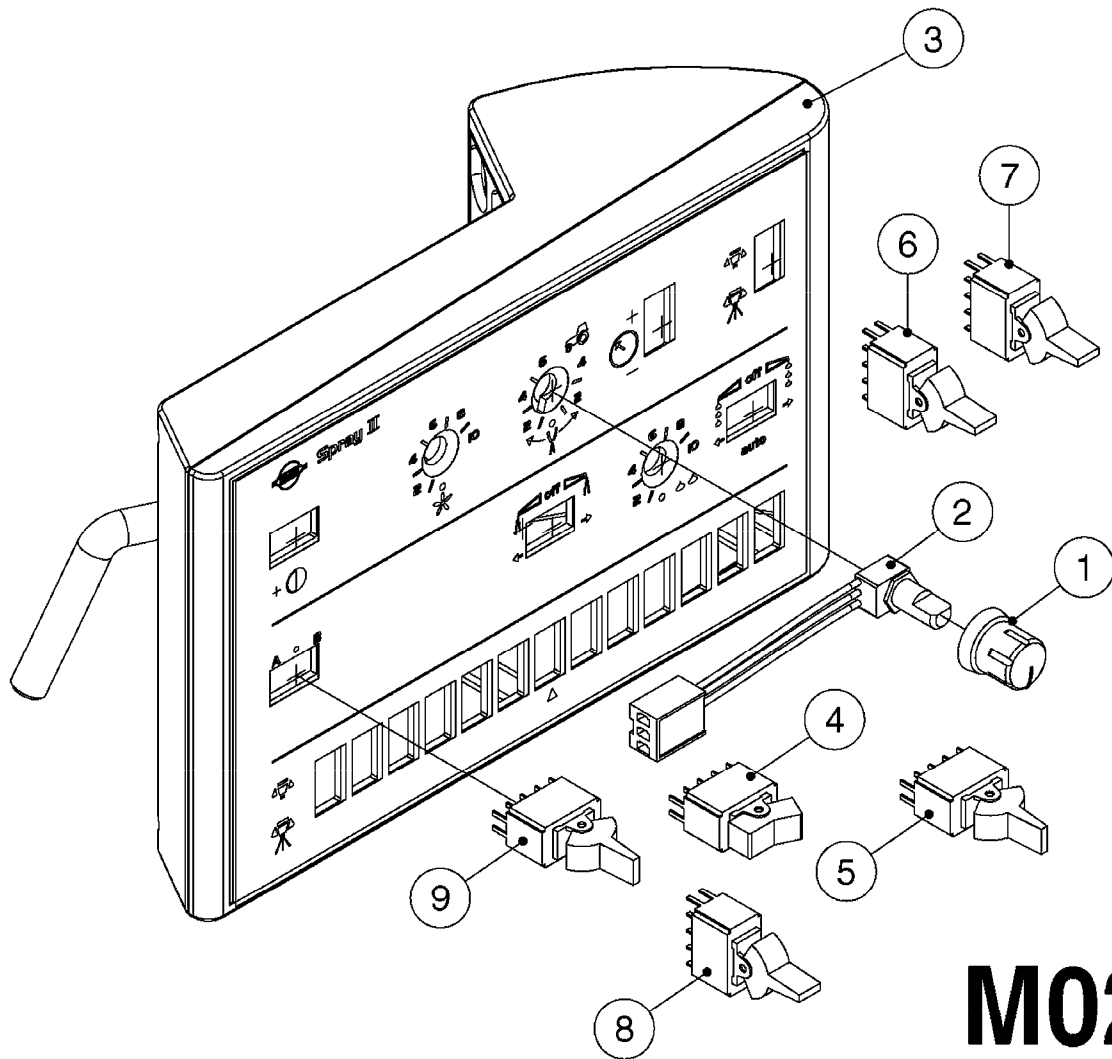
| parts-n° | order qty | description |
|----------|-----------|--------------------------------|
| 24002303 | 1 | WASHER, RUBBER |
| 26001803 | 1 | POWER CABLE |
| 26001903 | 1 | 15' 7-PIN EXTENSION CABLE |
| 26002503 | 1 | MUSTANG 3500/7 CONSOLE |
| 26002603 | 1 | MUSTANG 3500/4/TF CONSOLE |
| 26002703 | 1 | MUSTANG 3500/20PIN SC MODULE |
| 26002803 | 1 | MUSTANG 3500/20PIN TF SC MODUL |
| 26002903 | 1 | MUSTANG 3500 CONSOLE MNT KIT |
| 26003003 | 1 | MUSTANG 3500 CONSOLE CABLE |
| 26003103 | 1 | MUSTANG 3500/7 SC MOD CNECT KT |
| 26003303 | 1 | MUSTANG/FM 5FT 7PIN EXT CABLE |
| 26003403 | 1 | MUSTANG/FM 10FT 7PIN EXT CABLE |
| 26003703 | 1 | MUSTANG RUN/HOLD ADAPT CABLE |
| 26004403 | 1 | SWITCH, FOOT |
| 26006003 | 1 | MUSTANG RADR CBLE JD 8000/9000 |
| 26006203 | 1 | MUSTANG RDR "Y" CABLE DCKY-JHN |
| 26006303 | 1 | MUSTANG RDR EXTNSN CABLE 10FT |
| 26006603 | 1 | MUSTANG RDR"Y"CABLE D-J PACKRD |
| 26006803 | 1 | MUSTANG RDR"Y"CABLE D-J DEUTS. |
| 26006903 | 1 | MUSTANG RDR"Y"CABLE MAG.PHILIP |
| 26008303 | 1 | MICRO TRAK PLUG KIT - 2 PIN |
| 26008403 | 1 | MICRO TRAK PLUG KIT - 3 PIN |
| 26008503 | 1 | MICRO TRAK PLUG KIT - 7 PIN |
| 26016703 | 1 | MUSTANG 3500/39PIN SC MODULE |
| 28026403 | 1 | KNOB, MUSTANG CONSOLE MOUNT |
| 74005403 | 1 | FOOT SWITCH FOR MUSTANG 3500 |



M0120



| parts-n° | order qty | description |
|----------|-----------|-----------------------------------|
| 145062 | 1 | ROTOR SHAFT |
| 147700 | 1 | STUD BOLT M8 X 158MM |
| 147701 | 1 | NUT HEX M8 STAINLESS L=16 |
| 160695 | 1 | BRACKET F.SENSOR |
| 160711 | 1 | BRACKET FOR FLOW METER |
| 178975 | 1 | MOUNT BRACKET F. SPEED SENSOR |
| 179767 | 1 | FLOW SENSOR MOUNTING BRACKET |
| 240951 | 1 | O-RING D21.2X3 NITRIL |
| 241673 | 1 | O-RING D22.1X1.6 |
| 261093 | 1 | SPADE F.ELEC.WIRE DK 2.8X0.8 |
| 270211 | 1 | FITT.DK S25 FORK L=37.5 |
| 320283 | 1 | FITT.DK NUT 3/4"BSP |
| 332205 | 1 | O-RING D43/39XD2 |
| 333561 | 1 | FITT.DK ELB.1" EC RETURN |
| 334558 | 1 | NUT HEX PLASTIC INSERT |
| 410362 | 1 | BOLT HEX 8.8 SS M6X20 |
| 410546 | 1 | SCREW HEX M6X12 A2 SS DIN933 |
| 420582 | 1 | BOLT HEX 8.8 DEL M8X20 FT A2 |
| 440675 | 1 | SCREW F. PLASTIC 5X16 SS |
| 440677 | 1 | SCREW F. PLASTIC 5X20 SS |
| 460261 | 1 | NUT HEX M6X1.00 LOCK DIN985 A2 SS |
| 460364 | 1 | NUT HU M8 A2 SS DIN934 |
| 471125 | 1 | WASHER M6U 6.4X14X1.2,A2 SS |
| 637761 | 1 | ROTOR F.FLOWMETER - PILOT |
| 717426 | 1 | FITT.DK REDUC 1/4"BSP F.3/4"N |
| 722525 | 1 | MONITOR MAGNETS SET OF 8PCS |
| 842020 | 1 | HP FLOW METER EC 2-30 GPM |
| 842021 | 1 | HP FLOW METER ESC 2-30 GPM |
| 842022 | 1 | HP PRESS. TRANSDUCER 0-150 PSI |
| 842088 | 1 | HP FLOW METER EC 4-70 GPM |
| 842098 | 1 | HP FLOW METER ESC 4-70 GPM |
| 842191 | 1 | HP FLOW METER BK/EVC 2-30 GPM |
| 983068 | 1 | ELEC. CABLE 3 WIRE X .25MM HP |
| 10612603 | 1 | KIT PLUG 6 PIN F.PILOT MONITOR |
| 26005503 | 1 | SPEED SENSOR/CABLE ASSY PROX |
| 26005703 | 1 | *SPEED SENS ADPT CBLE W PULLUP |
| 26007200 | 1 | CABLE L =13.00M, AMP, MALE, 3P |
| 39001203 | 1 | THREAD PLST 1/2-13UNCXM6X1L=1" |
| 46000803 | 1 | NUT, 1/2-13 THIN |
| 72098400 | 1 | SPEED SENSOR W/CABLE 10000MM |
| 72117500 | 1 | FLOW SENSOR - M.AMP L=1M |
| 72156500 | 1 | HP FLOW METER PIN 4-70 GPM 20Ø |
| 84207903 | 1 | FLOW METER,2-30 GPM,S67,CAL |
| 84208003 | 1 | FLOW METER,4-70 GPM,S67,CAL |
| 84208103 | 1 | FLOW METER,20-160 GPM,S67,CAL |



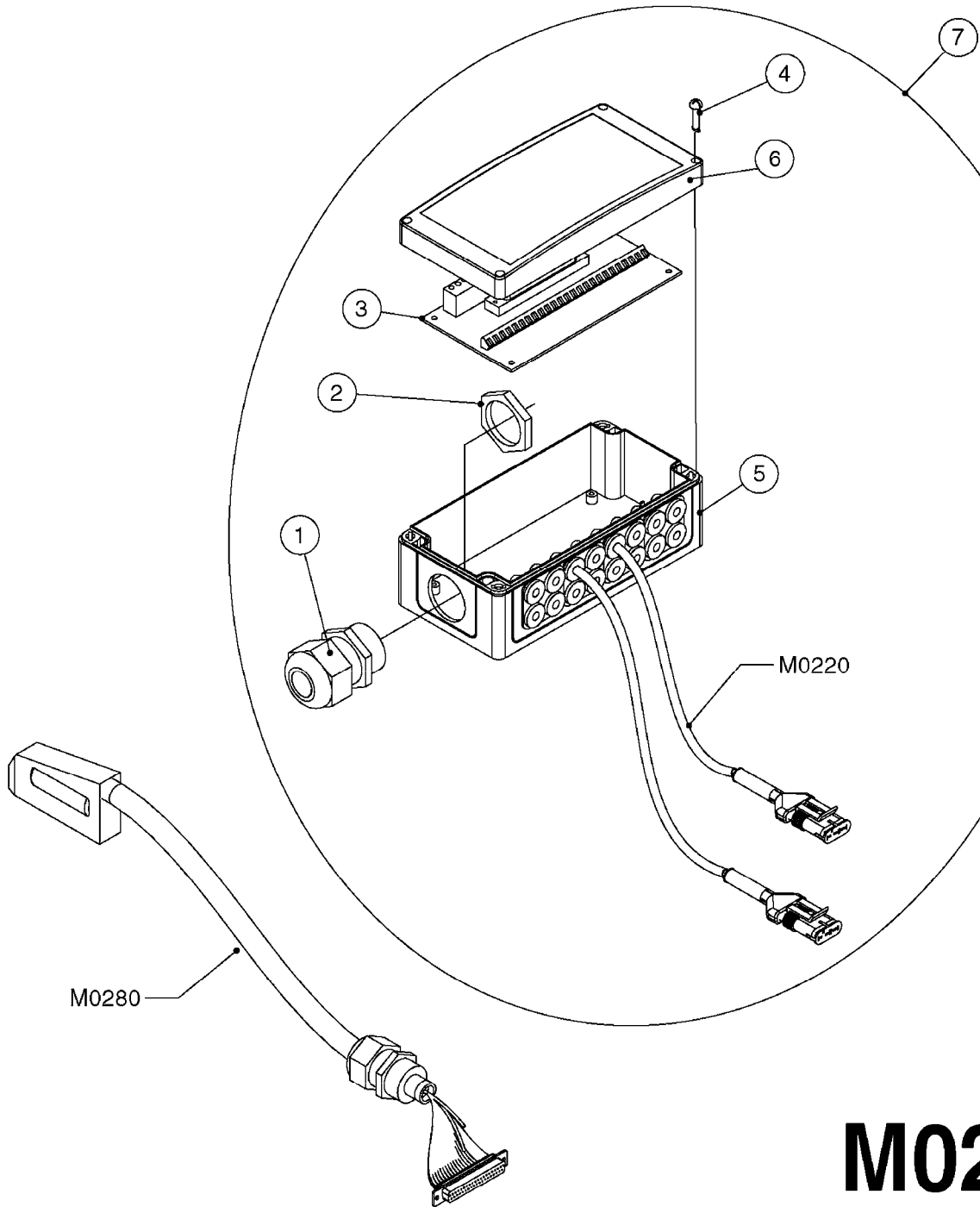
M0200



SPRAYBOX II
M0200-HIN, 23:06:16

Page 1
Date 04.11.2017 13:05

| Pos. | parts-n° | order qty | description |
|------|----------|-----------|--------------------------------|
| 1 | 26000400 | 1 | KNOB F.FOAM ADJUST HC5500 |
| 2 | 26005300 | 1 | POT.METER F. SPRAYBOX II |
| 3 | 26010200 | 1 | CONTROL BOX 2SEC, SPRAY BOX II |
| 3 | 26010300 | 1 | CONTROL BOX 3SEC, SPRAY BOX II |
| 3 | 26010400 | 1 | CONTROL BOX 4SEC, SPRAY BOX II |
| 3 | 26010500 | 1 | CONTROL BOX 5SEC, SPRAY BOX II |
| 3 | 26010600 | 1 | CONTROL BOX 6SEC, SPRAY BOX II |
| 3 | 26010700 | 1 | CONTROL BOX 7SEC, SPRAY BOX II |
| 3 | 26010800 | 1 | CONTROL BOX 8SEC, SPRAY BOX II |
| 3 | 26010900 | 1 | CONTROL BOX 9SEC, SPRAYBOX II |
| 3 | 26011000 | 1 | SPRAY CONT. II EVC 4 SEC. HAZ |
| 3 | 26011100 | 1 | SPRAY CONT. II EVC 5 SEC. HAZ |
| 3 | 26011200 | 1 | SPRAY CONT. II EVC 6 SEC. HAZ |
| 3 | 26011300 | 1 | SPRAY CONT. II EVC 7 SEC. HAZ |
| 3 | 26013600 | 1 | CONTROL BOX 13SEC, SPRAYBOX II |
| 4 | 26020200 | 1 | SWITCH ON-ON SP ROCKER RED |
| 5 | 26020300 | 1 | SWITCH ON-OFF-ON SP BLACK |
| 6 | 26020400 | 1 | SWITCH MOM-OFF-MOM SP YELLOW |
| 7 | 26020600 | 1 | SWITCH ON-ON SP GREEN |
| 8 | 26020800 | 1 | SWITCH ON-ON DP GREEN |
| 9 | 26021000 | 1 | SWITCH ON-OFF-ON DP BLACK |



M0230



JUNCTION BOX - LIQUID
M0230-HIN, 01:01:16

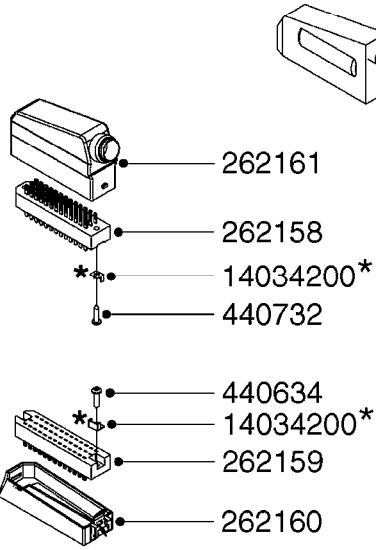
Page 1

Date 04.11.2017 13:05

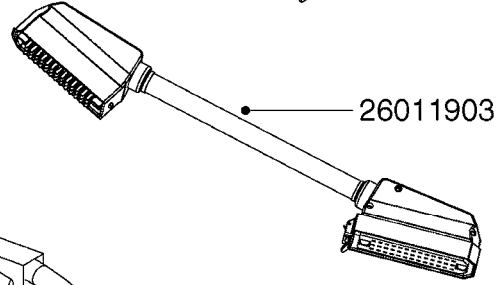
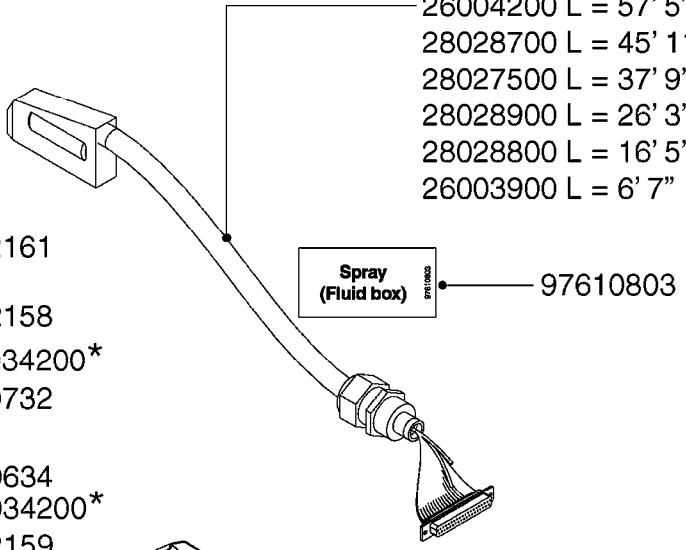
| Pos. | parts-n° | order qty | description |
|------|----------|-----------|--|
| 1 | 262106 | 1 | BULKHEAD F. CABLE 6.5-14 BLACK |
| 2 | 262107 | 1 | NUT F. BULKHEAD CABLE BLACK |
| 3 | 26004800 | 1 | CIRCUIT BD SEC VLV NCM 13SEC 13 SECTION |
| 3 | 72173900 | 1 | CIRCUIT BD SEC VLV 39PIN 9SEC 9 SECTION |
| 4 | 28082100 | 1 | SCREW F. BOX LID 1/4" L=20 |
| 5 | 33508700 | 1 | BOX BOTTOM 160X80X40 BLACK 1-HOLE |
| 6 | 33508800 | 1 | LID 160X80X15 BLK W/SCREWS |
| 7 | 72115400 | 1 | CONNECTION BOX F. OP. UNIT SV9 |



LIQUID SYSTEM

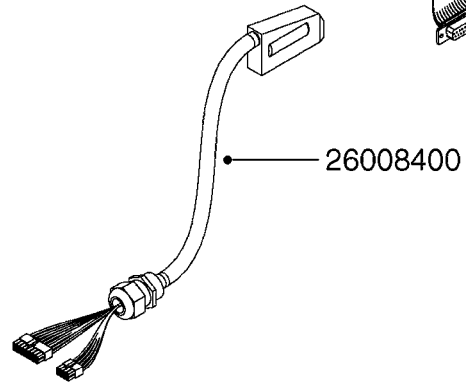
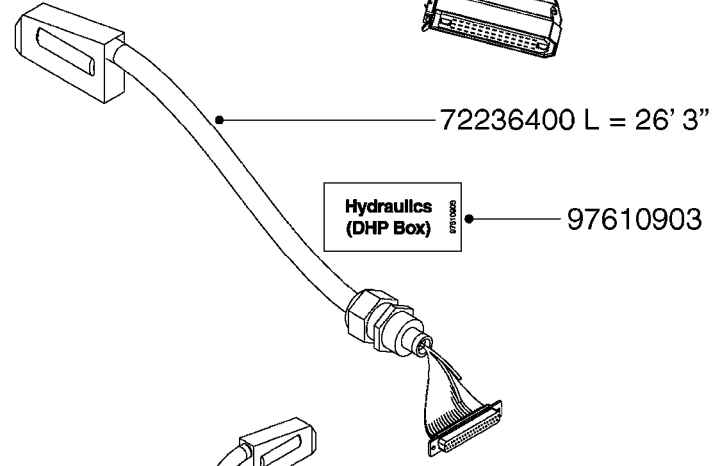
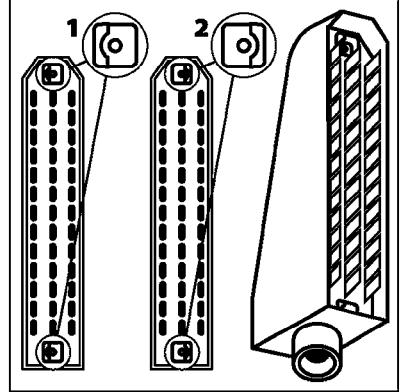


- 26004200 L = 57' 5"
- 28028700 L = 45' 11"
- 28027500 L = 37' 9"
- 28028900 L = 26' 3"
- 28028800 L = 16' 5"
- 26003900 L = 6' 7"



HYDRAULIC SYSTEM

* Note orientation of bracket
1 = Liquid system
2 = Hydraulic system



M0280



39 PIN CABLES
M0280-HIN, 28:03:17

Page 1
Date 04.11.2017 13:06

| parts-n° | order qty | description |
|----------|-----------|-------------------------------|
| 262158 | 1 | PLUG INSERT 39 POLE MALE |
| 262159 | 1 | PLUG INSERT 39 POLE FEMALE |
| 262160 | 1 | PLUG HOUSING 39 POLE FEMALE |
| 262161 | 1 | PLUG HOUSING F/39 POLE MALE |
| 440634 | 1 | SCREW 5/8" |
| 440732 | 1 | PT SCREW 35X12B Z5452 ELZ |
| 14034200 | 1 | CODE BRACKET FOR 39 PIN CABLE |
| 26003900 | 1 | WIRE 37-39 PIN EVC, 6.6' |
| 26004200 | 1 | WIRE 37-39 PIN EVC, 57.4' |
| 26008400 | 1 | WIRE 39-PIN 24 WIRE L=8M |
| 26011903 | 1 | WIRE 39-39 POLE EXT. 3660MM |
| 28027500 | 1 | WIRE 37-39 PIN EVC, 37.7' |
| 28028700 | 1 | WIRE 37-39 PIN EVC, 45.9' |
| 28028800 | 1 | WIRE 37-39 PIN EVC, 16.4' |
| 28028900 | 1 | WIRE 37-39 PIN EVC, 26.2' |
| 72236400 | 1 | DAH CONN. WIRE/TRACTOR L=8M |
| 97610803 | 1 | DECAL-SRAY BOX 39-PIN |
| 97610903 | 1 | DECAL-HYDRAULIC BOX 39-PIN |