



Agroparts: www.HARDI-INTERNATIONAL.com

C C5/C8

Country-Code 11

Date 12.08.2020 8:08

C5/C8



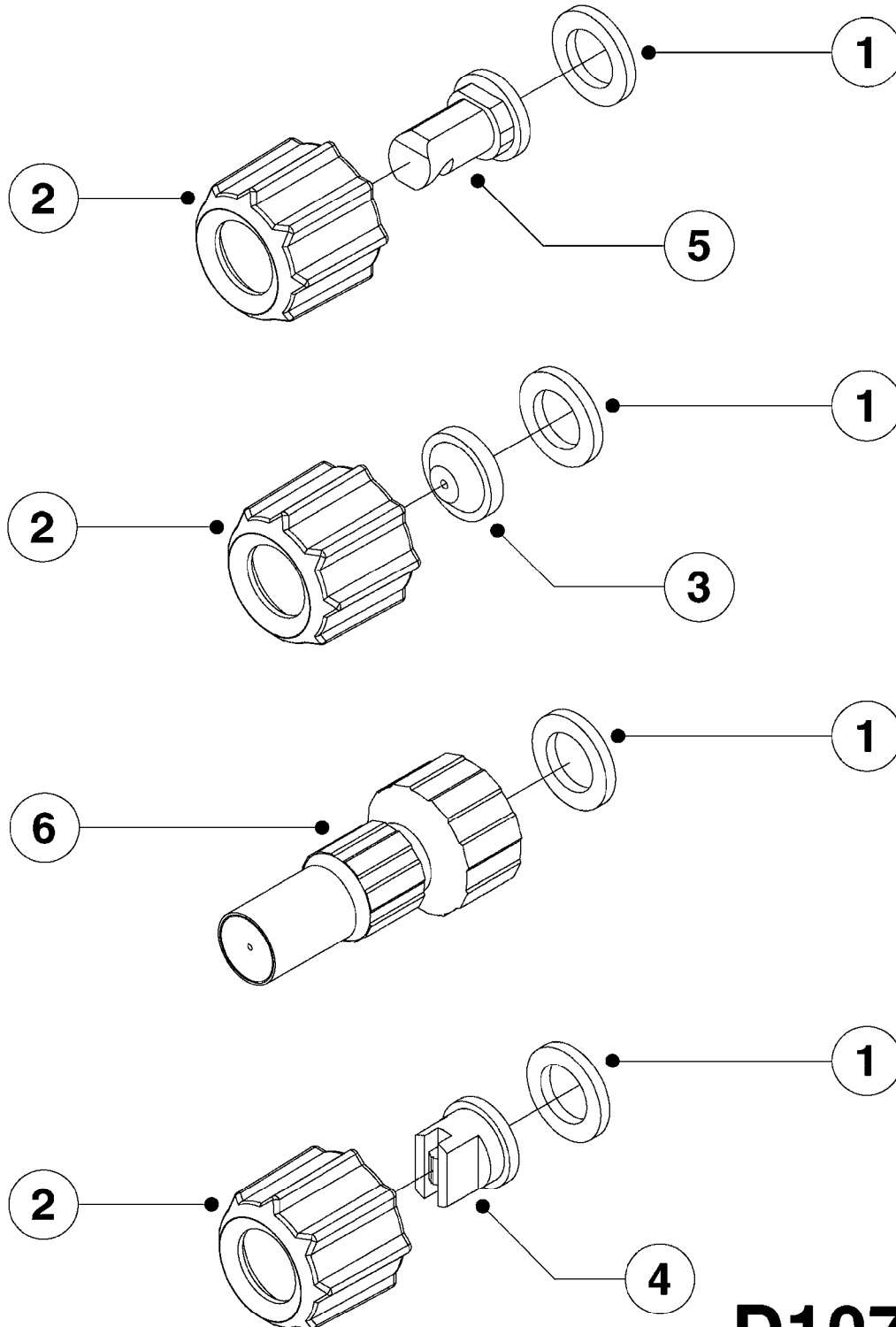


C C5/C8

Page 0.1

Date 12.08.2020 8:08

| main group | page-n° | date | description |
|------------------------------|-----------|----------|--------------------------------|
| Booms, Nozzle Bodies & Tubes | D1070-HIN | 01:01:16 | NOZZLES - HANDHELD SPRAYERS |
| Hand-operated Sprayers | J0010-HIN | 01:01:16 | HAND HELD SPRAYER C5/8 PRE 04 |
| | J0020-HIN | 01:01:16 | HAND HELD SPRAYER C5/8 POST 04 |
| | J0050-HIN | 01:01:16 | SPRAY WAND FOR HAND HELD SPRYR |
| | J0060-HIN | 01:01:16 | HAND GUN F.HAND-HELD SPRAYER |
| | J0070-HIN | 09:06:16 | TRIGGER VALVE ASSEMBLY '00 |
| | J0080-HIN | 01:01:16 | SPRY SHIELDS FOR HND-HLD SPRYR |
| | J0090-HIN | 01:01:16 | SPRY SHIELDS F.HND-HLD SPRY 01 |
| | J0100-HIN | 01:01:16 | SPRAY BOOM FOR HAND-HELD SPRYR |
| | J0110-HIN | 01:01:16 | SPRAY BOOM 2,3,4 NOZZLES '01 |
| | J0120-HIN | 01:01:16 | TELESCOPIC SPRAY WAND |



D1070

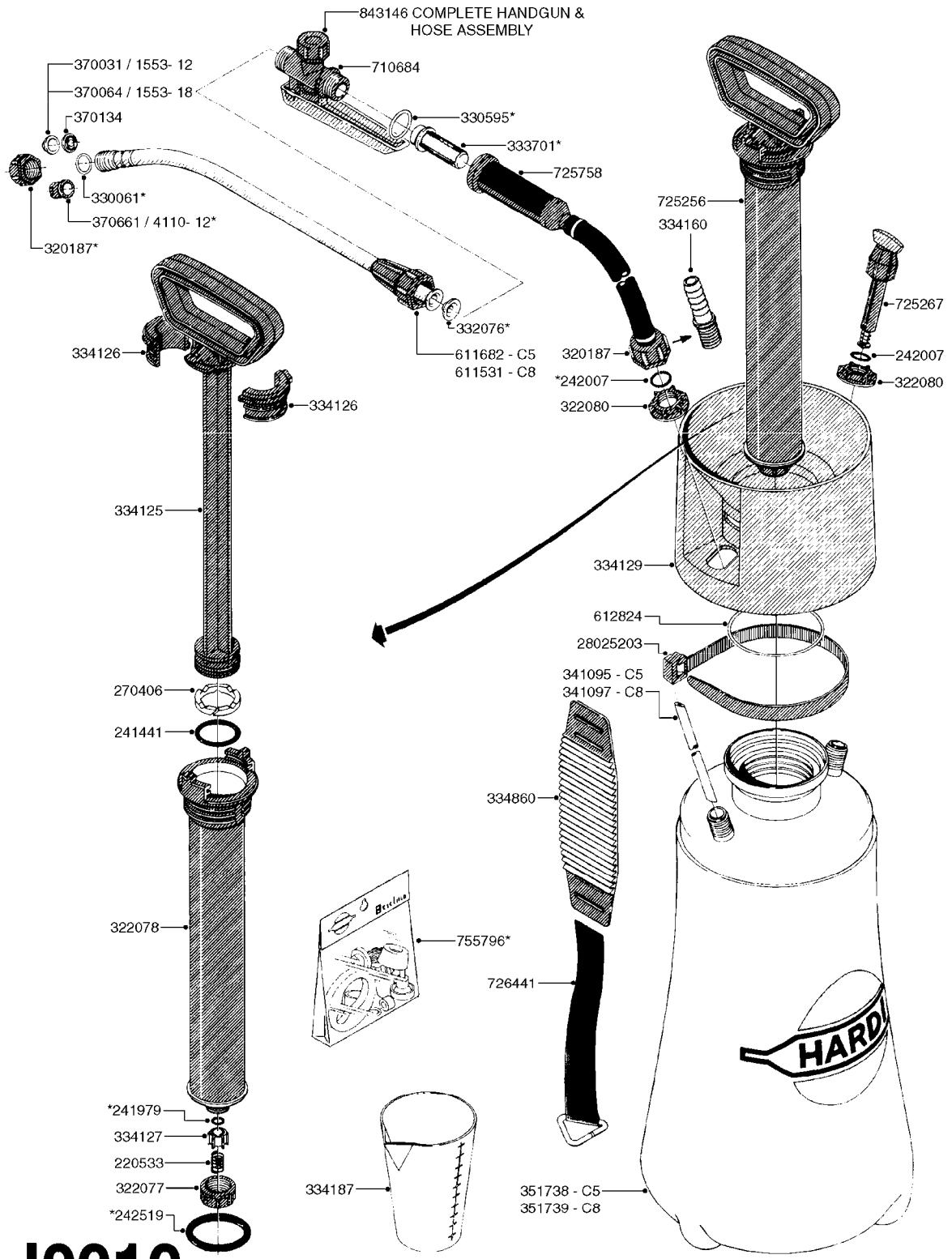


NOZZLES - HANDHELD SPRAYERS
D1070-HIN, 01:01:16

Page 1

Date 12.08.2020 8:08

| Pos. | parts-n° | order qty | description |
|------|----------|-----------|-------------------------------|
| 1 | 242370 | 1 | BACKING WASHER |
| 2 | 322343 | 1 | NOZZLE CAP M18 X 1.5 - 1999 |
| 3 | 371682 | 1 | HOLLOW CONE SPRAY TIP, RED |
| 3 | 371694 | 1 | HOLLOW CONE SPRAY TIP, YELLOW |
| 3 | 371695 | 1 | HOLLOW CONE SPRAY TIP, BROWN |
| 3 | 371696 | 1 | HOLLOW CONE SPRAY TIP, GREY |
| 4 | 371706 | 1 | NOZZLE ISO F-01-110 ORANGE |
| 4 | 371707 | 1 | NOZZLE ISO F-015-110 GREEN |
| 4 | 371708 | 1 | NOZZLE ISO F-02-110 YELLOW |
| 4 | 371709 | 1 | NOZZLE ISO F-03-110 BLUE |
| 4 | 371710 | 1 | NOZZLE ISO F-04-110 RED |
| 4 | 371711 | 1 | NOZZLE ISO F-05-110 BROWN |
| 4 | 371712 | 1 | NOZZLE ISO F-06-110 GREY |
| 4 | 371713 | 1 | NOZZLE ISO F-08-110 WHITE |
| 4 | 371857 | 1 | NOZZLE FAN JET 02E80 YELLOW |
| 4 | 371946 | 1 | NOZZLE ISO F-025-110 LILAC |
| 4 | 371963 | 1 | NOZZLE ISO F-075-110 PINK |
| 4 | 371966 | 1 | NOZZLE ISO F-10-110 LT BLUE |
| 5 | 372020 | 1 | NOZZLE REFLEX YELLOW AN 0.6 |
| 5 | 372021 | 1 | NOZZLE REFLEX GREEN AN 1.2 |
| 5 | 372022 | 1 | REFL.NOZZLE AN 1.8 BLUE |
| 5 | 372023 | 1 | NOZZLE FLOOD AN 2.4 RED |
| 6 | 755835 | 1 | ADJUSTABLE NOZZLE |



J0010

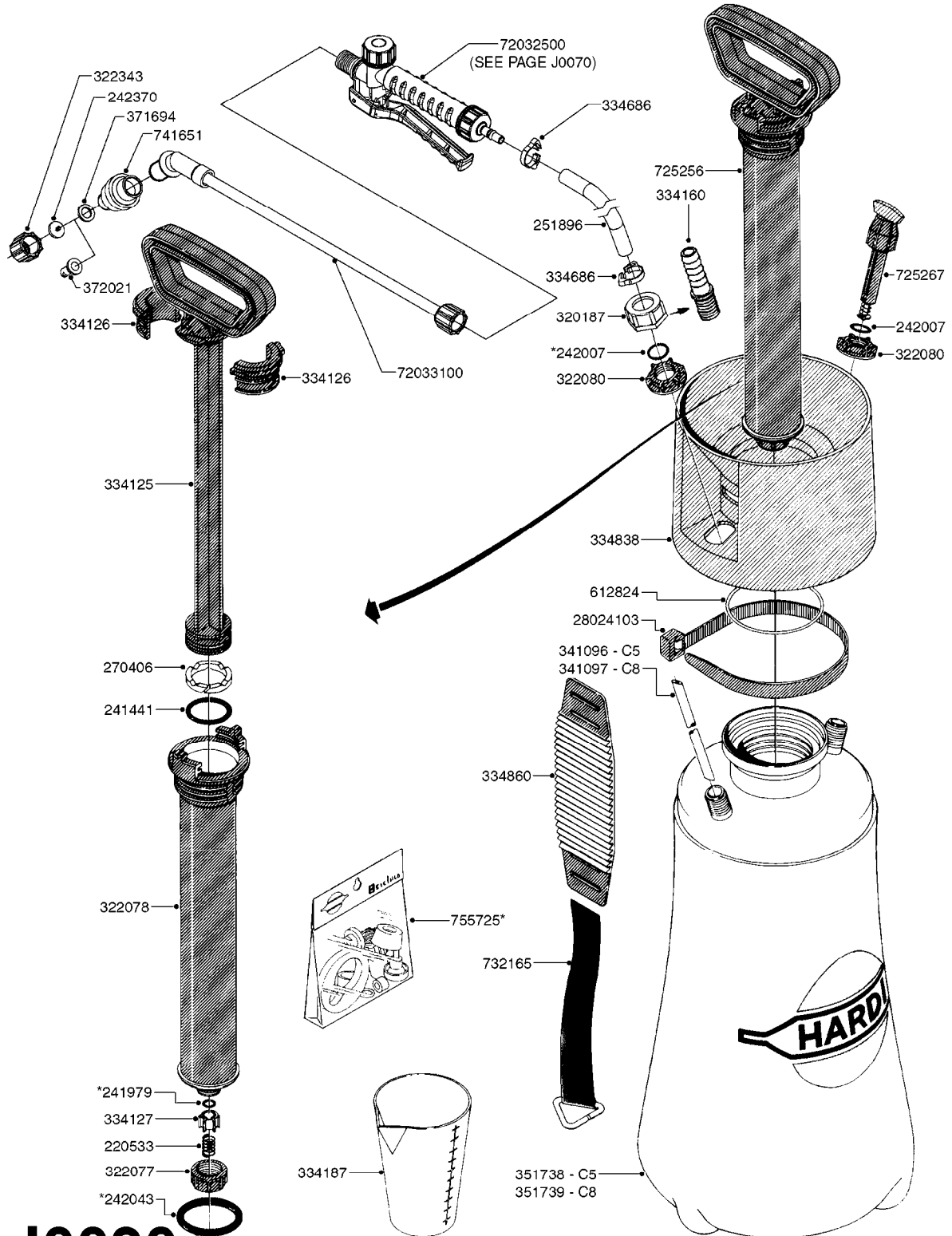


HAND HELD SPRAYER C5/8 PRE 04
J0010-HIN, 01:01:16

Page 1

Date 12.08.2020 8:08

| parts-n° | order qty | description |
|----------|-----------|--------------------------------|
| 220533 | 1 | SPRING PRESSURE 9.1X15 |
| 241441 | 1 | O-RING D29.3X3 |
| 241979 | 1 | O-RING 6.6 X 6.6 |
| 242007 | 1 | O-RING Ø9.1 X 1.6 NITRILE |
| 242519 | 1 | O-RING 49.2 X 5.7 - VITON |
| 270406 | 1 | RING FELT |
| 320187 | 1 | FITT.DK CAP 3/8" BSP BLACK |
| 322077 | 1 | UNION NUT FOR PUMP CYLINDER |
| 322078 | 1 | PUMP CYLINDER |
| 322080 | 1 | NUT 3/8' BSP (FINGER) |
| 330061 | 1 | O-RING D16/D11X2,5 |
| 330595 | 1 | O-RING D24.6/D20X2.1 -3/4" |
| 332076 | 1 | CONE INSERT F. ALUMINUM LANCE |
| 333701 | 1 | FILTER F.ALUMINUM LANCE |
| 334125 | 1 | PUMP HANDLE F. COMP.SPRAYER |
| 334126 | 1 | GUIDE BUSHING HALF |
| 334127 | 1 | CONE FOR PUMP |
| 334129 | 1 | TANK COVER C5/C8 |
| 334160 | 1 | HOSE PIPE BRANCH 5/16' |
| 334187 | 1 | CUP 250ML |
| 334860 | 1 | SHOULDER PAD |
| 341096 | 1 | SUCTION HOSE D7 X 450 C5 |
| 341097 | 1 | SUCTION HOSE D7 X 560 C8 |
| 351738 | 1 | TANK 5 L F. C5 SPRAYER |
| 351739 | 1 | TANK 8 L F. C8 SPRAYER |
| 370031 | 1 | NOZZLE CONE JET 1553-12 |
| 370064 | 1 | NOZZLE CONE JET 1553-18 |
| 370134 | 1 | NOZZLE SWIRL 1554-GREY |
| 370661 | 1 | NOZZLE FLAT FAN 4110-12 |
| 611531 | 1 | ALU-LANCE TUBE ASSEM. 700 LNCE |
| 611682 | 1 | ALU-LANCE TUBE ASSEMBLED 500 M |
| 612824 | 1 | GASKET FOR TANK COVER C5/C8 |
| 710684 | 1 | VALVE ASSY. F. ALUMINUM LANCE |
| 725256 | 1 | PUMP F.C5/C8 COMP.SPRAYER |
| 725267 | 1 | SAFETY VALVE F.COMP.SPRAYERS |
| 725758 | 1 | HOSE ASSY. F. C5/C8 |
| 725796 | 1 | KIT SPARE PARTS F. 5+8 |
| 726441 | 1 | SHOULDER STRAP F.COMP. SPRAYER |
| 843146 | 1 | LANCE 700 MM ALU.F.5/16'HOSE |
| 28025203 | 1 | TIE STRAP L=23" x W=1/2" |



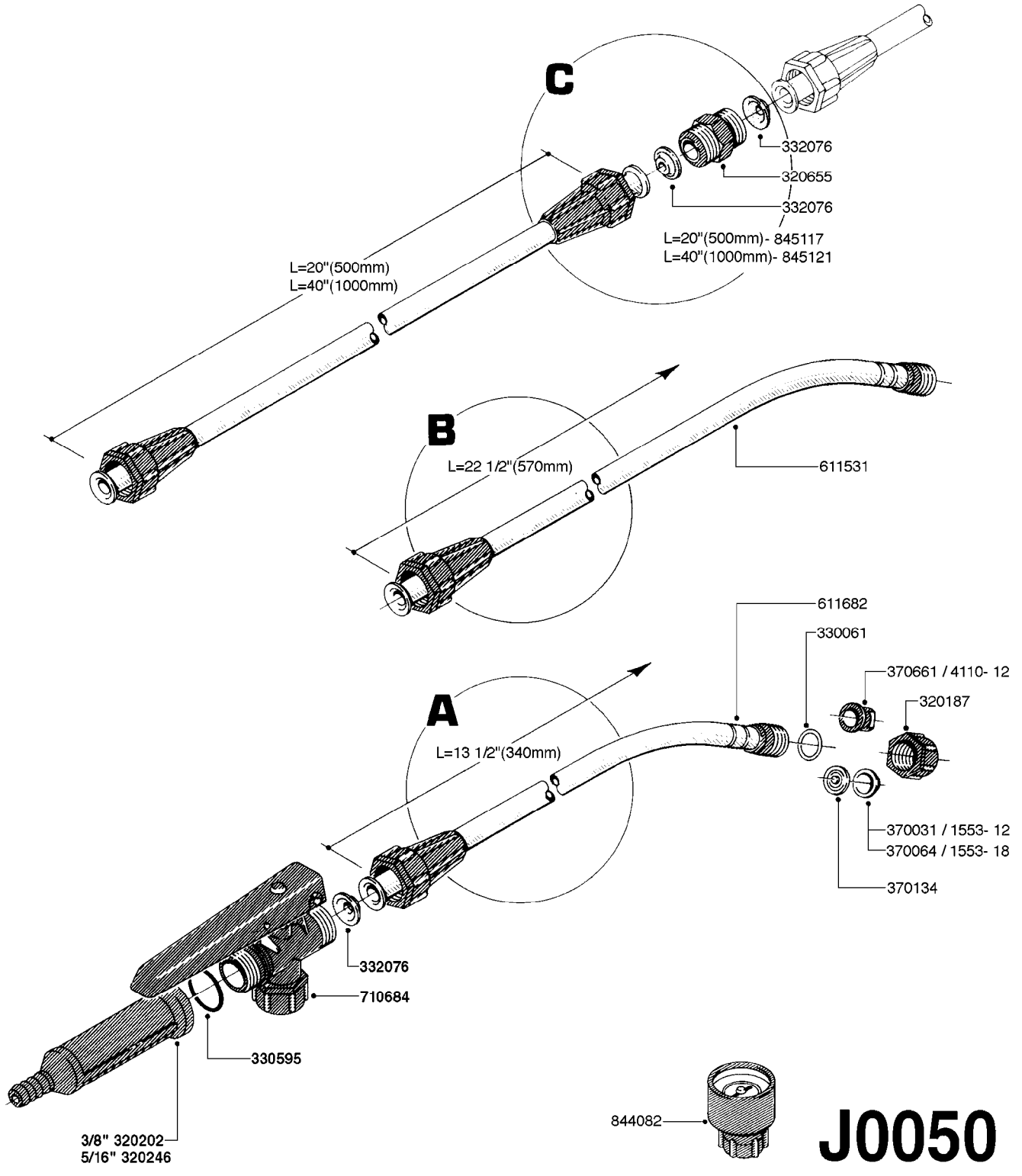
J0020



HAND HELD SPRAYER C5/8 POST 04
J0020-HIN, 01:01:16

Page 1
Date 12.08.2020 8:08

| parts-n° | order qty | description |
|----------|-----------|-------------------------------|
| 220533 | 1 | SPRING PRESSURE 9.1X15 |
| 241441 | 1 | O-RING D29.3X3 |
| 241979 | 1 | O-RING 6.6 X 6.6 |
| 242007 | 1 | O-RING Ø9.1 X 1.6 NITRILE |
| 242043 | 1 | O-RING 49.2 X 5.7 |
| 242370 | 1 | BACKING WASHER |
| 251896 | 1 | HOSE ASSY. 5/16" PVC L=1300MM |
| 270406 | 1 | RING FELT |
| 320187 | 1 | FITT.DK CAP 3/8" BSP BLACK |
| 322077 | 1 | UNION NUT FOR PUMP CYLINDER |
| 322078 | 1 | PUMP CYLINDER |
| 322080 | 1 | NUT 3/8" BSP (FINGER) |
| 322343 | 1 | NOZZLE CAP M18 X 1.5 - 1999 |
| 334125 | 1 | PUMP HANDLE F. COMP.SPRAYER |
| 334126 | 1 | GUIDE BUSHING HALF |
| 334127 | 1 | CONE FOR PUMP |
| 334160 | 1 | HOSE PIPE BRANCH 5/16' |
| 334187 | 1 | CUP 250ML |
| 334686 | 1 | CLAMP HOSE PLASTIC 5/16' |
| 334838 | 1 | TANK COVER C5/C8 BLUE MAXI |
| 334860 | 1 | SHOULDER PAD |
| 341096 | 1 | SUCTION HOSE D7 X 450 C5 |
| 341097 | 1 | SUCTION HOSE D7 X 560 C8 |
| 351738 | 1 | TANK 5 L F. C5 SPRAYER |
| 351739 | 1 | TANK 8 L F. C8 SPRAYER |
| 371694 | 1 | HOLLOW CONE SPRAY TIP, YELLOW |
| 372021 | 1 | NOZZLE REFLEX GREEN AN 1.2 |
| 612824 | 1 | GASKET FOR TANK COVER C5/C8 |
| 725256 | 1 | PUMP F.C5/C8 COMP.SPRAYER |
| 725267 | 1 | SAFETY VALVE F.COMP.SPRAYERS |
| 732165 | 1 | SHOULDER STRAP F.C5/C8 |
| 741651 | 1 | FLUID CONTROL VALVE 15 PSI |
| 755725 | 1 | SERVICE KIT C5-C8-CP5 |
| 28024103 | 1 | TIE STRAP L=8" x W=3/16" |
| 72032500 | 1 | TRGGR VLV ASSY,NEW STYLE'00 |
| 72033100 | 1 | PLASTIC WAND 15" |

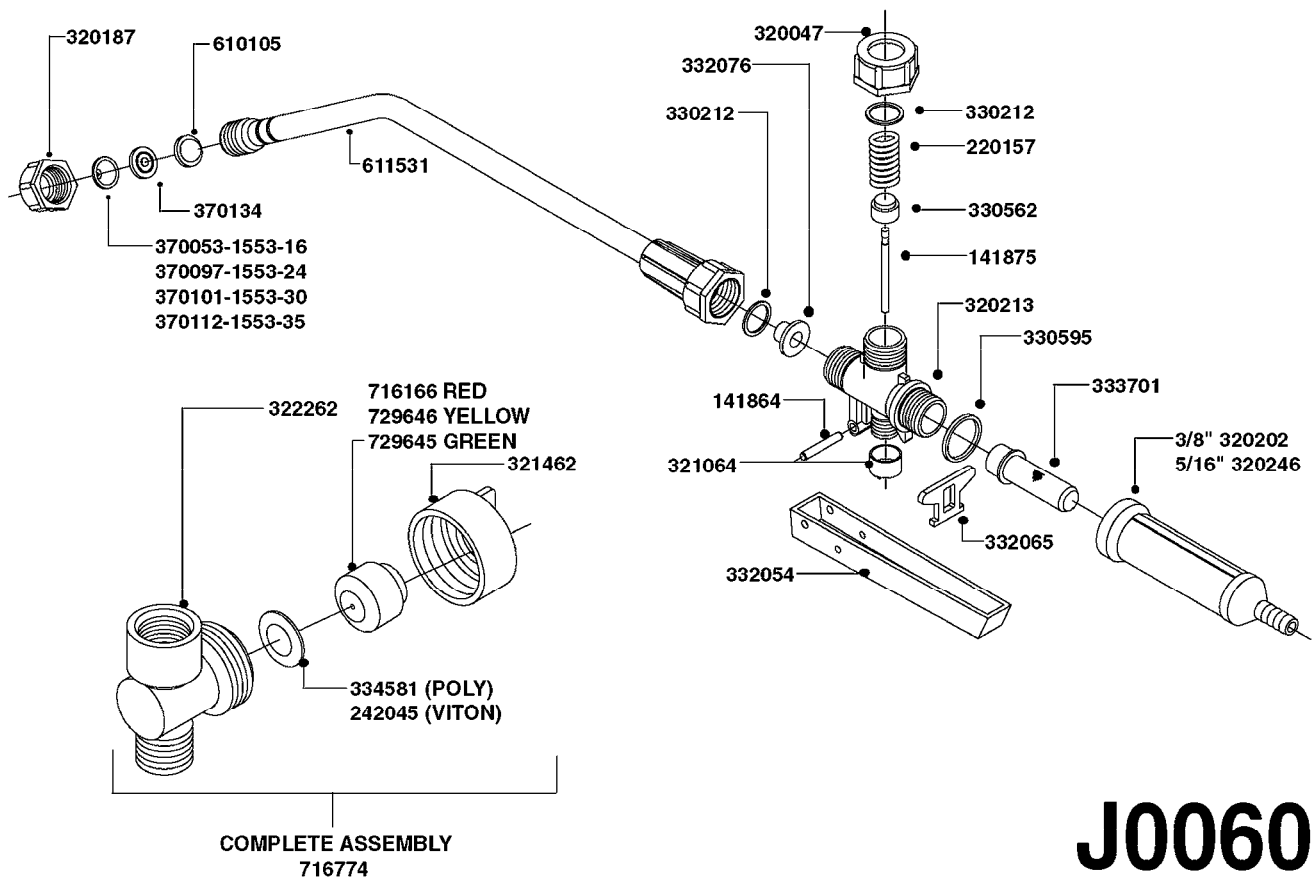




SPRAY WAND FOR HAND HELD SPRYR
J0050-HIN, 01:01:16

Page 1
Date 12.08.2020 8:08

| parts-n° | order qty | description |
|----------|-----------|--------------------------------|
| 320187 | 1 | FITT.DK CAP 3/8" BSP BLACK |
| 320202 | 1 | HANDLE WITH 3/8" HOSE CONNECT. |
| 320246 | 1 | HANDLE 5/16" HOSE CONNECTOR |
| 320655 | 1 | FITT.DK HN 1/2"-1/2" BSP |
| 330061 | 1 | O-RING D16/D11X2,5 |
| 330595 | 1 | O-RING D24.6/D20X2.1 -3/4" |
| 332076 | 1 | CONE INSERT F. ALUMINUM LANCE |
| 370031 | 1 | NOZZLE CONE JET 1553-12 |
| 370064 | 1 | NOZZLE CONE JET 1553-18 |
| 370134 | 1 | NOZZLE SWIRL 1554-GREY |
| 370661 | 1 | NOZZLE FLAT FAN 4110-12 |
| 611531 | 1 | ALU-LANCE TUBE ASSEM. 700 LNCE |
| 611682 | 1 | ALU-LANCE TUBE ASSEMBLED 500 M |
| 710684 | 1 | VALVE ASSY. F. ALUMINUM LANCE |
| 844082 | 1 | GAUGE 1.5'BR REAR PSI140BAR10 |
| 845117 | 1 | HANDGUN LANCE EXT.20' RY2/K15 |
| 845121 | 1 | HANDGUN LANCE EXT.40'K15/R2 |

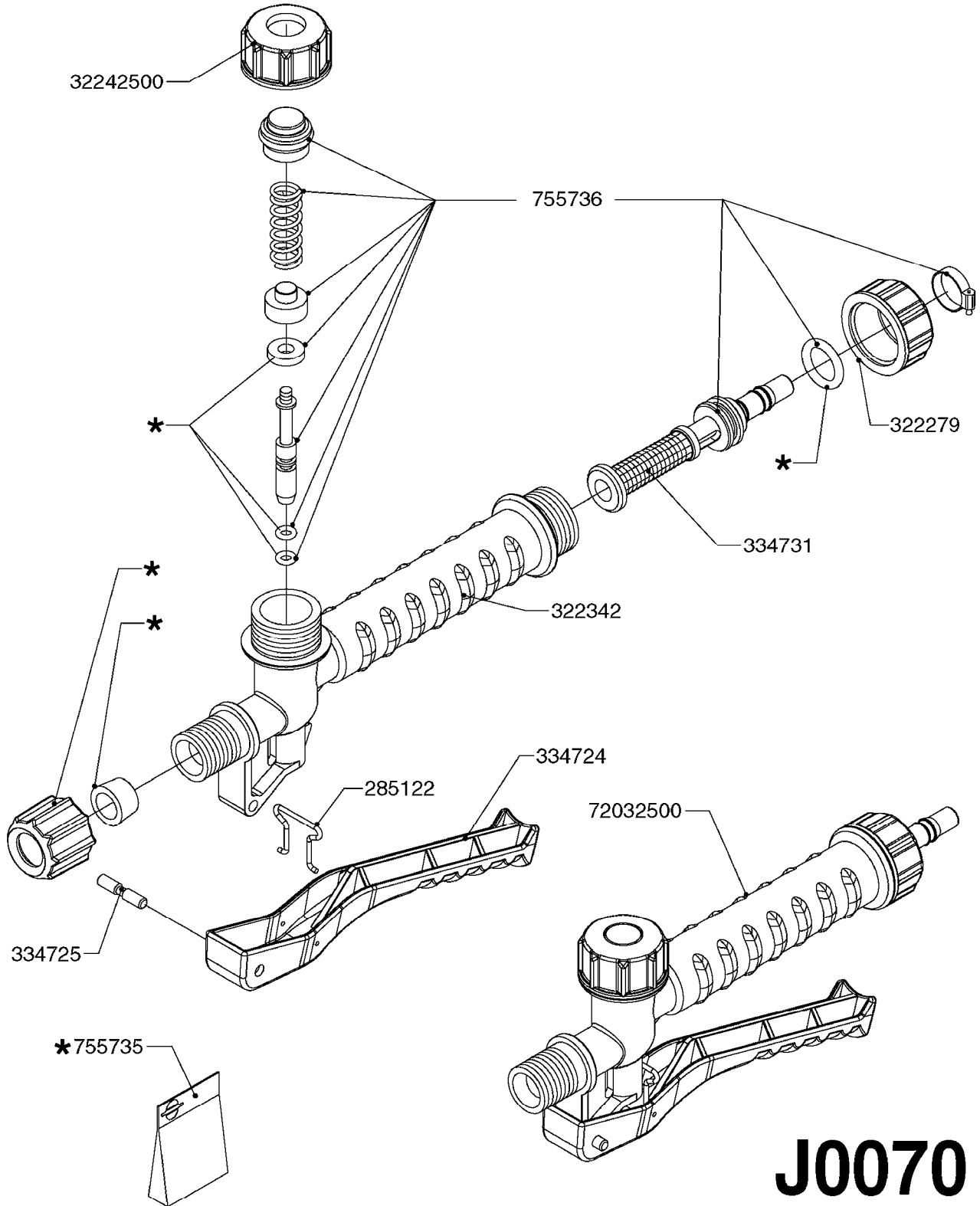




HAND GUN F.HAND-HELD SPRAYER
J0060-HIN, 01:01:16

Page 1
Date 12.08.2020 8:08

| parts-n° | order qty | description |
|----------|-----------|--------------------------------|
| 141864 | 1 | PIN |
| 141875 | 1 | SPINDLE FOR LANCE |
| 220157 | 1 | SPRING 13.7mm x 1.6mm x 20mm |
| 242045 | 1 | DIAPHRAGM F.NO-DRIP VITON |
| 320047 | 1 | FITT.DK CAPNUT 1/2" BSP |
| 320187 | 1 | FITT.DK CAP 3/8" BSP BLACK |
| 320202 | 1 | HANDLE WITH 3/8' HOSE CONNECT. |
| 320213 | 1 | HOUSING F. LANCE(PLASTIC) K15 |
| 320246 | 1 | HANDLE 5/16' HOSE CONNECTOR |
| 321064 | 1 | NUT |
| 321462 | 1 | CAP F.NO-DRIP ASSY. |
| 322262 | 1 | HOUSING F. NON DRIP DIAPHRAGM |
| 330212 | 1 | O-RING D19/D14X2.4 F.1/2"NUT |
| 330562 | 1 | SEAT FOR VALVE |
| 330595 | 1 | O-RING D24.6/D20X2.1 -3/4" |
| 332054 | 1 | HANDLE, VLV.CONTROL B-PACK |
| 332065 | 1 | BUCKLE |
| 332076 | 1 | CONE INSERT F. ALUMINUM LANCE |
| 333701 | 1 | FILTER F.ALUMINUM LANCE |
| 334581 | 1 | DIAPHRAGM, NO-DRIP alt 241371 |
| 370053 | 1 | NOZZLE CONE JET 1553-16 |
| 370097 | 1 | NOZZLE CONE JET 1553-24 |
| 370101 | 1 | NOZZLE CONE JET 1553-30 |
| 370112 | 1 | NOZZLE CONE JET 1553-35 |
| 370134 | 1 | NOZZLE SWIRL 1554-GREY |
| 610105 | 1 | NOZZLE FILTER |
| 611531 | 1 | ALU-LANCE TUBE ASSEM. 700 LNCE |
| 716166 | 1 | SUBSTITUTE 729645 |
| 716774 | 1 | NO DRIP VALVE 3 8'BSP |
| 729645 | 1 | NON-DRIP SPRING ASSY.GREEN 10 |
| 729646 | 1 | NON-DRIP SPRING ASSY.YELLOW 15 |



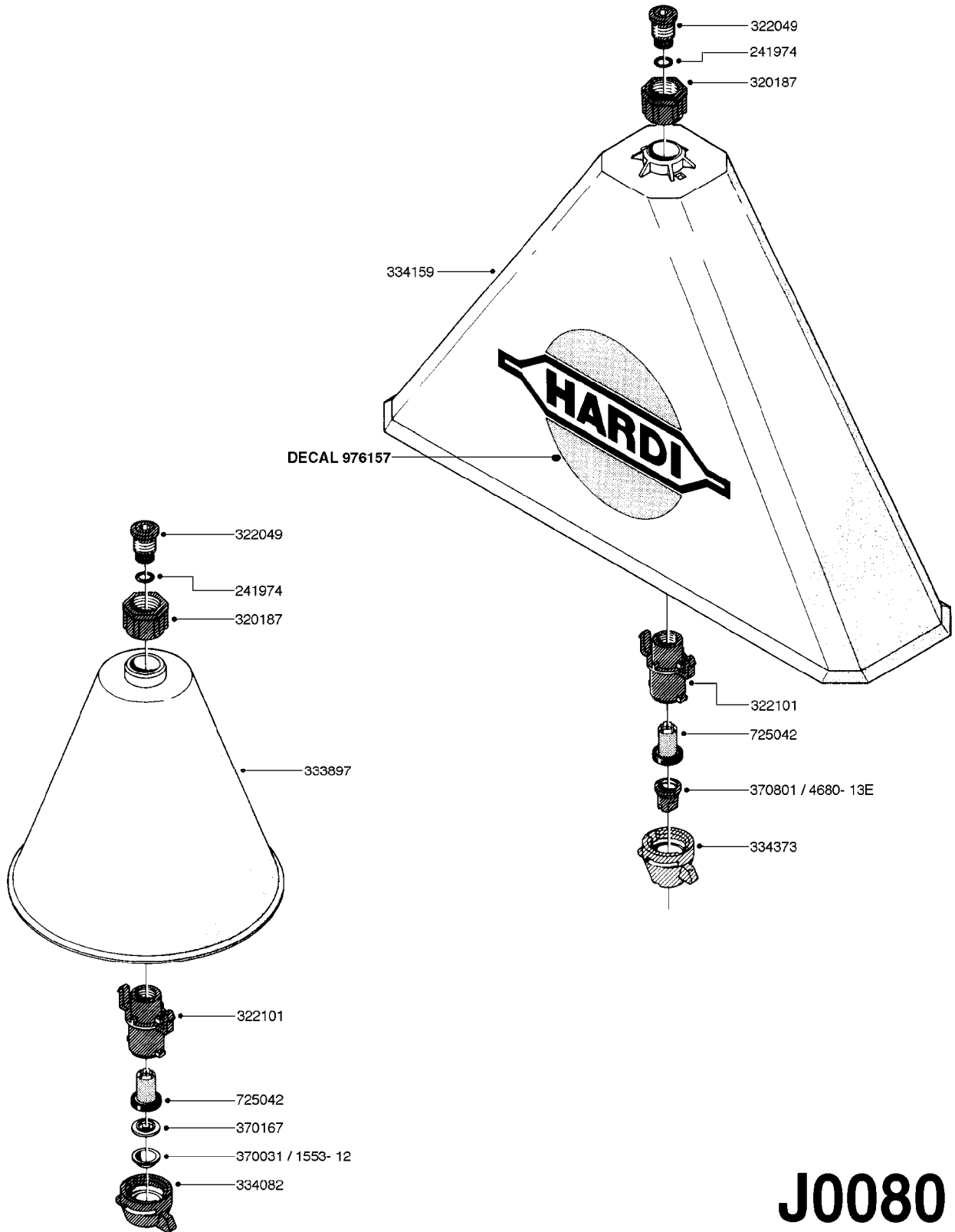
J0070



TRIGGER VALVE ASSEMBLY '00
J0070-HIN, 09:06:16

Page 1
Date 12.08.2020 8:08

| parts-n° | order qty | description |
|----------|-----------|--------------------------------|
| 285122 | 1 | WIRE CLIP FOR TRIGGER LEVER |
| 322279 | 1 | TRIGGER CAP |
| 322342 | 1 | VALVE CASING FOR LANCE |
| 334724 | 1 | TRIGGER VALVE LEVER |
| 334725 | 1 | PLASTIC PIN |
| 334731 | 1 | FILTER W/HOSE BARB |
| 755735 | 1 | SERVICE PARTS PACK BP15/20 |
| 755736 | 1 | TRIGGER VALVE PACK see72032500 |
| 32242500 | 1 | NUT FOR LANCE GREY |
| 72032500 | 1 | TRGGR VLV ASSY,NEW STYLE'00 |



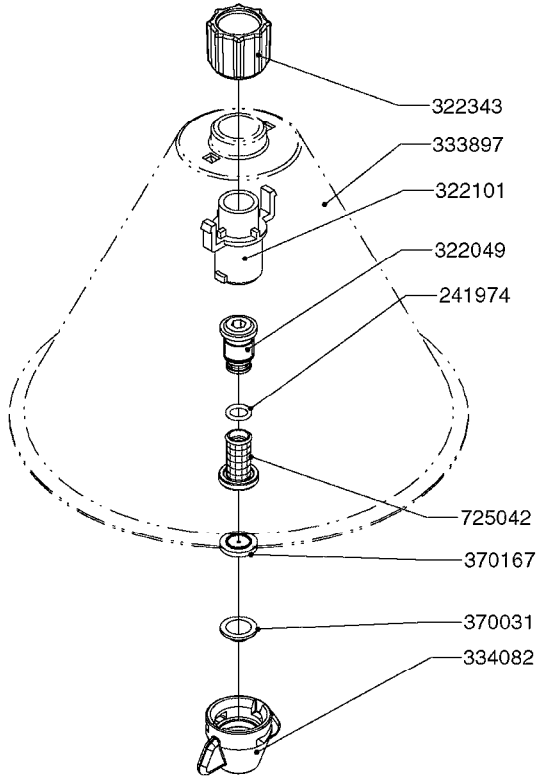
J0080



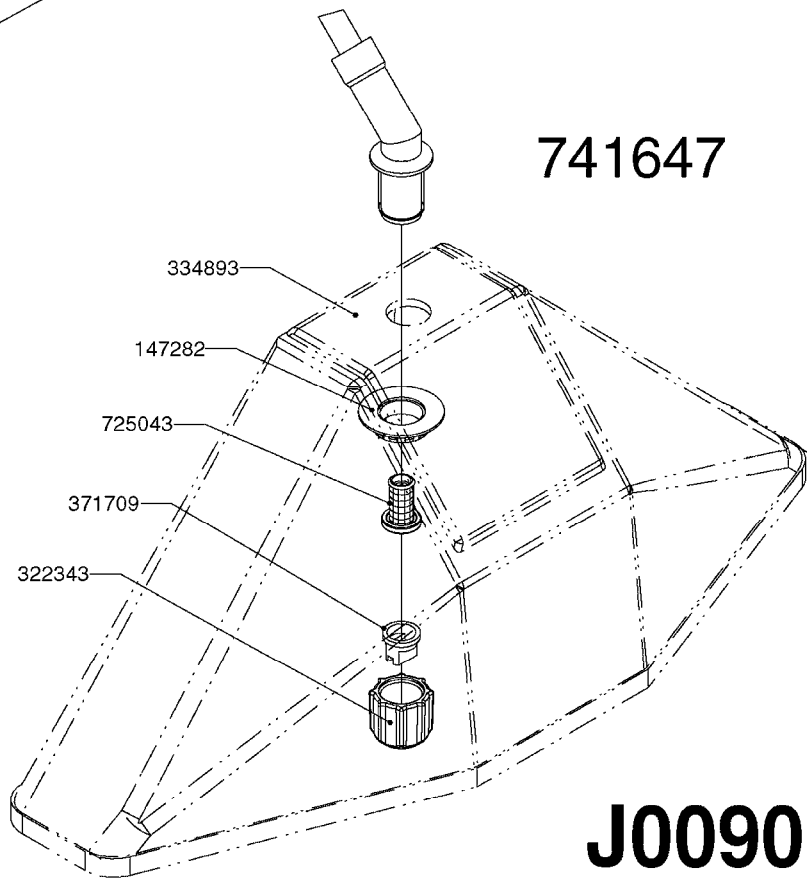
SPRY SHIELDS FOR HND-HLD SPRYR
J0080-HIN, 01:01:16

Page 1
Date 12.08.2020 8:08

| parts-n° | order qty | description |
|----------|-----------|--------------------------------|
| 241974 | 1 | O-RING D7.1 X 1.6 |
| 320187 | 1 | FITT.DK CAP 3/8" BSP BLACK |
| 322049 | 1 | FITT.DK SOCKET F.3/8 UNION NUT |
| 322101 | 1 | INSERT UNION F.SPRAY SHIELD |
| 333897 | 1 | SPRAY SHIELD FOR CONE JET |
| 334082 | 1 | SNAP-FIT NOZZ.HOLD.CONE BLACK |
| 334159 | 1 | SPRAYING SCREEN 358 X 87 |
| 334373 | 1 | SNAP-FIT NOZZLE HOLDER RED |
| 370031 | 1 | NOZZLE CONE JET 1553-12 |
| 370167 | 1 | NOZZLE SWIRL 1554-1.3 WHITE |
| 370801 | 1 | SUBSTITUTE 371579 |
| 725042 | 1 | SCREEN 80 MESH W.GASKET, RED |
| 976157 | 1 | DECAL COMPANY (4.4" X 4.6") |



741721



741647

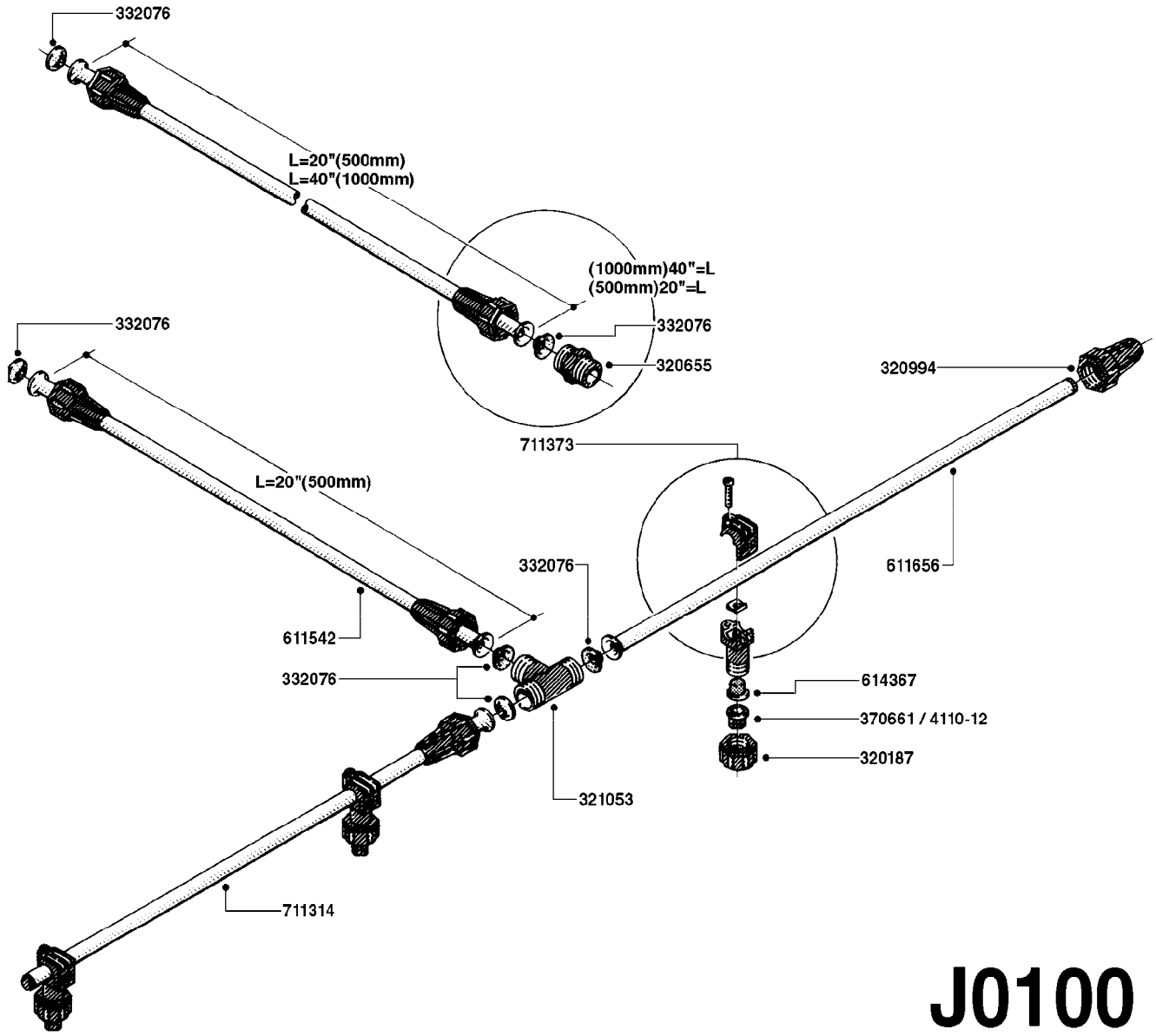
J0090



SPRY SHIELDS F.HND-HLD SPRY 01
J0090-HIN, 01:01:16

Page 1
Date 12.08.2020 8:08

| parts-n° | order qty | description |
|----------|-----------|--------------------------------|
| 147282 | 1 | CP3 LOCK NUT |
| 241974 | 1 | O-RING D7.1 X 1.6 |
| 322049 | 1 | FITT.DK SOCKET F.3/8 UNION NUT |
| 322101 | 1 | INSERT UNION F.SPRAY SHIELD |
| 322343 | 1 | NOZZLE CAP M18 X 1.5 - 1999 |
| 333897 | 1 | SPRAY SHIELD FOR CONE JET |
| 334082 | 1 | SNAP-FIT NOZZ.HOLD.CONE BLACK |
| 334893 | 1 | SPRAY SHIELD 15" W/O HRDWE. |
| 370031 | 1 | NOZZLE CONE JET 1553-12 |
| 370167 | 1 | NOZZLE SWIRL 1554-1.3 WHITE |
| 371709 | 1 | NOZZLE ISO F-03-110 BLUE |
| 725042 | 1 | SCREEN 80 MESH W.GASKET, RED |
| 725043 | 1 | SCREEN 50 MESH W.GASKET,BLUE |
| 741647 | 1 | SPRAY SHIELD F.FAN NOZZLE |
| 741721 | 1 | SPRAY SHIELD CP F.CONE NOZZLE |



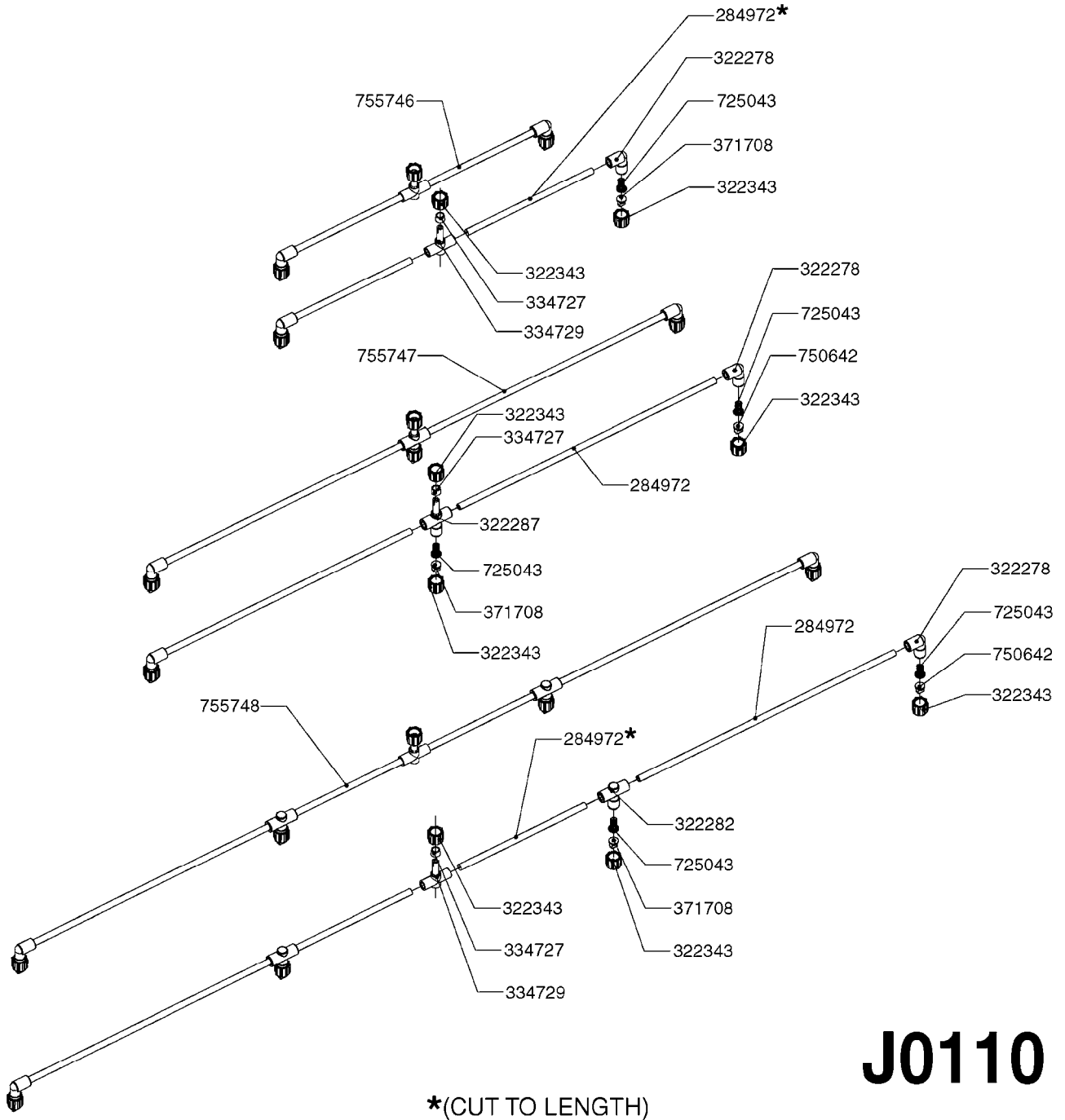


SPRAY BOOM FOR HAND-HELD SPRYR
J0100-HIN, 01:01:16

Page 1

Date 12.08.2020 8:08

| parts-n° | order qty | description |
|----------|-----------|--------------------------------|
| 320187 | 1 | FITT.DK CAP 3/8" BSP BLACK |
| 320655 | 1 | FITT.DK HN 1/2"-1/2" BSP |
| 320994 | 1 | FITT.DK CAP 1/2' |
| 321053 | 1 | FITT.DK TEE 1/2 X1/2 X1/2" BSP |
| 332076 | 1 | CONE INSERT F. ALUMINUM LANCE |
| 370661 | 1 | NOZZLE FLAT FAN 4110-12 |
| 611542 | 1 | ALU-EXTENSION TUBE 500 |
| 611656 | 1 | ALU-TUBE F. SPRAY BOOM |
| 614367 | 1 | FILTER 80 MESH F.NOZZLE RED |
| 711314 | 1 | TUBE FOR ALU-BOOM WITH NOZZLES |
| 711373 | 1 | SADDLE CPL.F.ALU-BOOM WO NOZZ |



*(CUT TO LENGTH)

J0110



SPRAY BOOM 2,3,4 NOZZLES '01
J0110-HIN, 01:01:16

Page 1
Date 12.08.2020 8:08

| parts-n° | order qty | description |
|----------|-----------|--------------------------------|
| 284972 | 1 | LANCE TUBE D10 - 490MM |
| 322278 | 1 | ELBOW |
| 322282 | 1 | OUTLET TEE |
| 322287 | 1 | CROSS |
| 322343 | 1 | NOZZLE CAP M18 X 1.5 - 1999 |
| 334727 | 1 | GROMMET |
| 334729 | 1 | TEE PIECE |
| 371708 | 1 | NOZZLE ISO F-02-110 YELLOW |
| 725043 | 1 | SCREEN 50 MESH W.GASKET,BLUE |
| 750642 | 1 | SYNTAL ISO F-02-80 TIP YLW 12 |
| 755746 | 1 | BOOM 2 NOZZLE F.BACKPACK SPRYS |
| 755747 | 1 | BOOM 3 NOZZLE F.BACKPACK SPRYS |
| 755748 | 1 | BOOM 4 NOZZLE F.BACKPACK SPRYS |



TELESCOPIC SPRAY WAND
J0120-HIN, 01:01:16

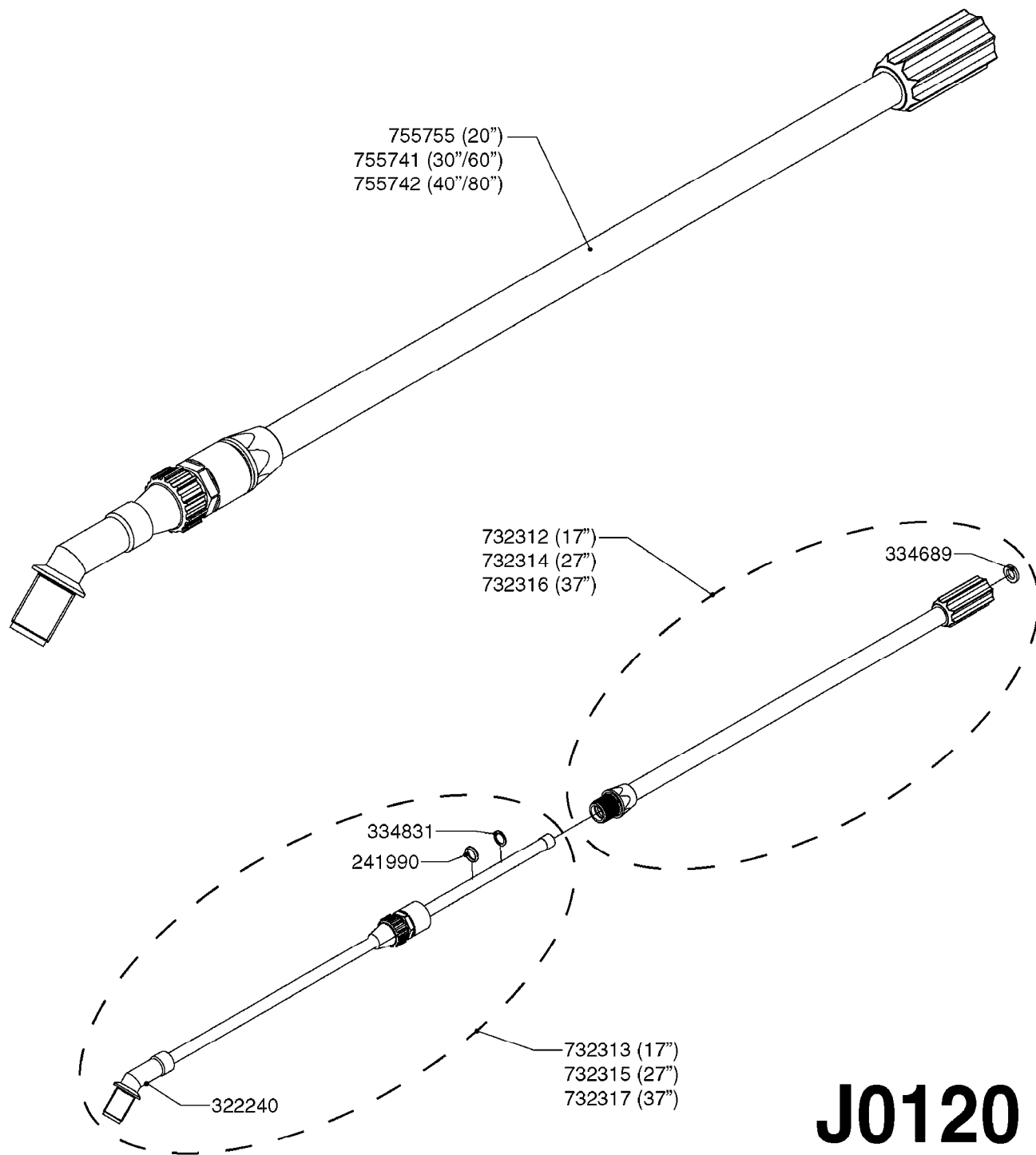
Page

0

Date

12.08.2020

8:08





TELESCOPIC SPRAY WAND
J0120-HIN, 01:01:16

Page 1

Date 12.08.2020 8:08

| parts-n° | order qty | description |
|----------|-----------|--------------------------------|
| 241990 | 1 | O-RING D9.3 X 2.4 VITON |
| 322240 | 1 | LANCE-END 45 DEG. |
| 334689 | 1 | GASKET Ø15.8/9.5X2.4 HYTREL |
| 334831 | 1 | DISC Ø 14.7/ 10.2X 1.0 |
| 732312 | 1 | LANCE TUBE D15/D12 ASSM. L=430 |
| 732313 | 1 | LANCE TUBE D10/D6 ASSM. L=490 |
| 732314 | 1 | LANCE TUBE D15/D12 ASSM. L=690 |
| 732315 | 1 | LANCE TUBE D10/D6 ASSM. L=750 |
| 732316 | 1 | LANCE TUBE D15/D12 ASSM. L=940 |
| 732317 | 1 | LANCE TUBE D10/D6 ASSM. L=1000 |
| 755741 | 1 | LANCE TELESCOPING 29"-59" |
| 755742 | 1 | LANCE TELESCOPING 39"-79" |
| 755755 | 1 | LANCE TELESCOPING 20"-40" |