

Contens

EC Declaration of Conformity	2
Operator safety	3
Description	4
Function diagram	5
Connecting the sprayer	6
Drawbar	6
Track gauge and clearance	7
Hydraulics	7
Transmission shaft	8
Operating unit and control box	10
Roadworthiness	10
Operating instructions	11
Filling the main tank	11
Operating the boom	11
Speed regulation of the hydraulic movements	11
Unfolding and folding the boom	12
Adjustment of controls	14
Operation of the tank drain valve	19
Maintenance	19
Cleaning the sprayer	19
Lubrication	22
Re-adjustment of the boom	26
Changing of valves and diaphragms	28
Changing the ball seat in operating unit BK, BK/EC, EC .	29
Checking the valve cone - EC only	30
Replacement of transmission shaft protection guards	30
Replacement of transmission shaft cross journals.	31
Wheel nuts and bearings	31
Recommended tyre pressure	32
Level indicator	33
Nozzle tubes and fittings	33
Off-season storage	34
Operational problems	35
Technical specifications	38
Pictorial symbols	42
Spare parts	43

TY-HYB

Instruction book

674872-GB-97/4



EC Declaration of Conformity

Manufacturer,

HARDI INTERNATIONAL A/S
Helgeshøj Allé 38
DK 2630 Taastrup
DENMARK

Importer,

declare that the following product;

.....
.....

Adhere extra shipping package labels to inside cover.


A. was manufactured in conformity with the provisions in the COUNCIL DIRECTIVE of 14 June 1989 on mutual approximation of the laws of the Member States on the safety of machines (89/392/EEC as amended by directives 91/368/EEC and 93/368/EEC) with special reference to Annex 1 of the Directive on essential safety and health requirements in relation to the construction and manufacture of machines.

B. was manufactured in conformity with the standards current at that time that implements a harmonised standard in accordance with Article 5 (2) and other relevant standards.




















Taastrup 1.4.97

Erik Holst
Managing Director
HARDI INTERNATIONAL A/S

Operator safety

Watch for this symbol . It means WARNING, CAUTION, NOTE. Your safety is involved so be alert!

Note the following recommended precautions and safe operating practices.

-  Read and understand this instruction book before using the equipment. It is equally important that other operators of this equipment read and understand this book.
-  Local law may demand that the operator be certified to use spray equipment. Adhere to the law.
-  Pressure test with clean water prior to filling with chemicals.
-  Wear protective clothing.
-  Rinse and wash equipment after use and before servicing.
-  Depressurize equipment after use and before servicing.
-  Never service or repair the equipment whilst it is operating.
-  Disconnect electrical power before servicing.
-  Always replace all safety devices or shields immediately after servicing.
-  If an arc welder is used on the equipment or anything connected to the equipment, disconnect power leads before welding. Remove all inflammable or explosive material from the area.
-  Do not eat, drink or smoke whilst spraying or working with contaminated equipment.
-  Wash and change clothes after spraying.
-  Wash tools if they have become contaminated.
-  In case of poisoning, seek doctor or ambulance. Remember to identify chemicals used.
-  Keep children away from the equipment.
-  Do not attempt to enter the tank.
-  Do not go under any part of the sprayer unless it is secured. The boom is secure when placed in the transport brackets.
-  Do not use the step unless the sprayer is connected to the tractor or the sprayer is correctly placed on a hard, flat surface.
-  If any portion of this instruction book remains unclear after reading it, contact your HARDI dealer for further explanation before using the equipment.





We congratulate you for choosing a HARDI plant protection product. The reliability and efficiency of this product depend on your care. The first step is to carefully **read and pay attention** to this instruction book. It contains essential information for the efficient use and long life of this quality product.

As the instruction book covers all TY models with hydraulic HYB booms, please pay attention to the paragraphs dealing with precisely your model. This book is to be read in conjunction with the "Spray Technique" book.



Description

The Hardi TY trailed field sprayers consist of a pump, frame with adjustable wheel track gauge and ground clearance, 1500 litre tanks, BK operating unit, 12, 15 metre HYB spray boom with hydraulic lift function and transmission shaft.

The design of the pump is simple, with easily accessible diaphragms and valves that ensure spray liquid does not come in contact with the vital parts of the pump.

The tank, made of impact-proof and chemical resistant polyethylene, has a purposeful design with no sharp edges for easy cleaning and efficient agitation.

The BK operating unit consists of; pressure agitator valve, safety valve, main ON/OFF valve, pressure filter with pressure gauge, distribution valves with pressure equalization and HARDI-MATIC pressure control valve.

The BK/EC and EC (Electric Control) operating unit consists of; pressure agitator valve, main ON/OFF valve, pressure control valve with HARDI-MATIC, pressure gauge, distribution valves with pressure equalization and control box.

HARDI-MATIC ensures a constant volume per hectare of the liquid (l/ha) at varying speed in the same gear when the number of P.T.O. revolutions are between 300-600 r/min.

With the Self-Cleaning filter (if fitted), the impurities that exist in the spray liquid will bypass the filter and be recirculated back to the tank via the return flow.

The HYB spray boom is equipped with 3 hydraulic rams. The raising/lowering and folding/unfolding functions are done via the tractor hydraulics. The frame and boom are connected by a rubber dampened trapeze suspension which stabilizes boom when driving on uneven ground. The outer sections incorporate a double-action breakaway. Operating range of the boom is 0.50-1.90 m.



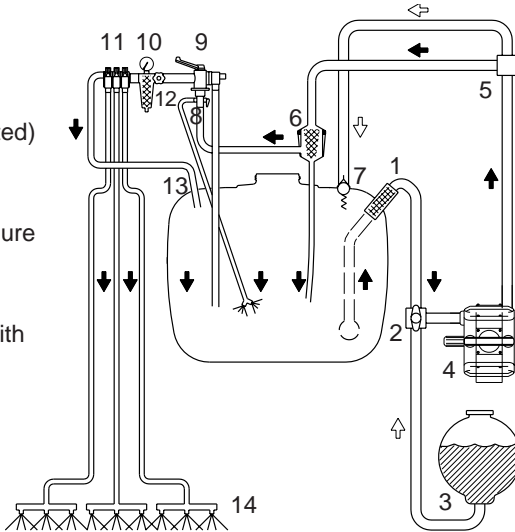
Identification plates

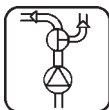
An identification plate fitted on the frame and pump is to indicate model, year of production with serial number and country of origin. Boom centre frame, and inner/outer sections have identification plates too, indicating boom type and part No. of steel parts. If ordering spare parts, inform your dealer of these, so the right model and version are described.

Function diagram

BK operating unit

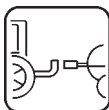
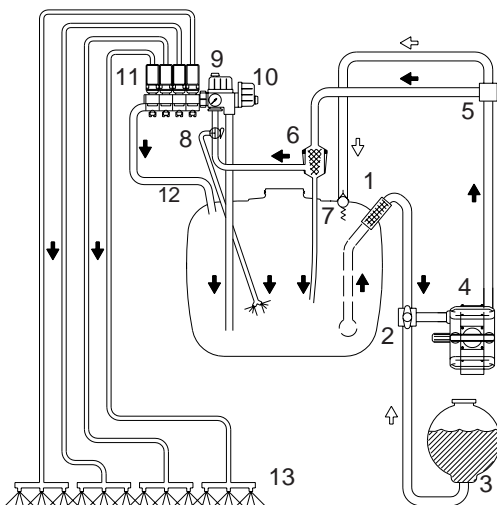
1. Suction filter
2. Suction manifold
3. Rinsing tank (if fitted)
4. Pump
5. Pressure manifold
6. Self-Cleaning Filter (if fitted)
7. Safety valve
8. Pressure agitator valve
9. Main ON/OFF valve
10. Pressure filter with pressure gauge
11. Distribution unit with pressure equalization
12. Pressure control valve with HARDI-MATIC
13. Return to tank
14. Sprayer boom





EC operating unit

1. Suction filter
2. Suction manifold
3. Rinsing tank (if fitted)
4. Pump
5. Pressure manifold
6. Self-Cleaning Filter
7. Safety valve
8. Pressure agitator valve
9. Main ON/OFF valve with pressure gauge
10. Pressure control valve with HARDI-MATIC
11. Distribution valves with pressure equalization
12. Return to tank
13. Sprayer boom



Connecting the sprayer

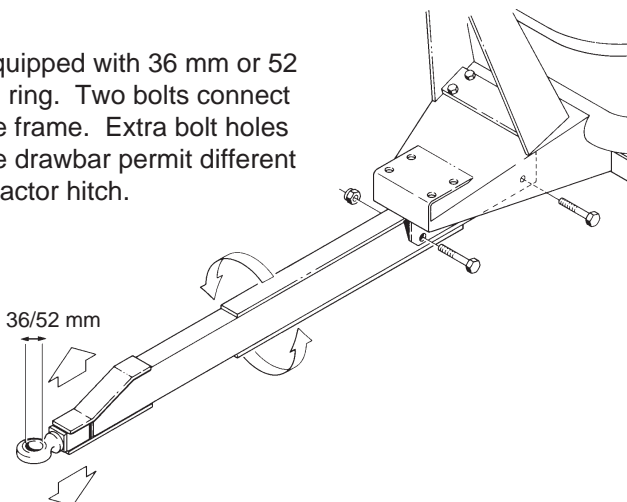
Drawbar

The drawbar is equipped with 36 mm or 52 mm swivel towing ring. Two bolts connect the drawbar to the frame. Extra bolt holes and rotation of the drawbar permit different positions to suit tractor hitch.



WARNING:

Trailer frame must be supported before adjusting drawbar position. After the drawbar is connected, the jack is folded up or removed.

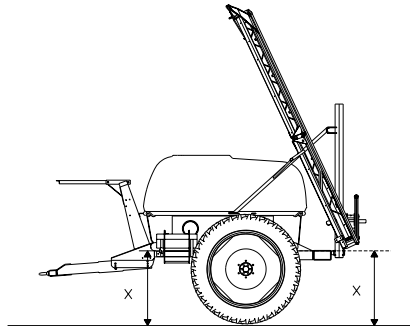
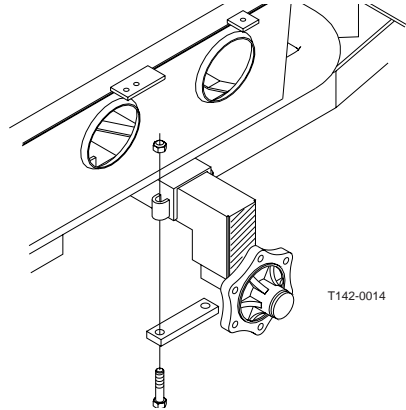


Track gauge and clearance

The track gauge of the trailer can be varied between 1,3 to 1,6 m. The two nuts on each U/bolt are loosened, and thereafter the hub axel can be drawn out or pushed in, until the required track gauge is obtained.

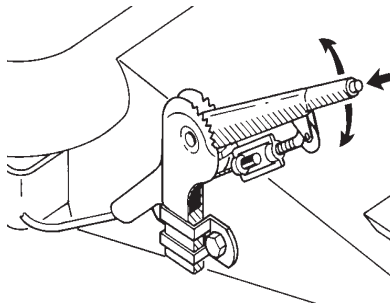
Ground clearance can be altered by rotating the axles 180 degrees. Remove the little stop lug on the end of the axles if they are rotated.

Drawbar and track gauge are to be set so that the chassis is approximately parallel to the ground.



Parking brake (if fitted)

After the sprayer is connected, release the parking brake by pushing thumb button in and pushing the lever forward. It is recommended to always use the parking brake before disconnecting the sprayer

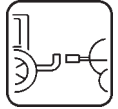


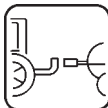
Hydraulics

Connection requirements for TY-HYB are;

- single outlet to raise or lower the boom,
- double outlet to fold or unfold the boom,
- double outlet for hydraulic slanting control (if fitted).

Ensure the snap couplers are clean before connection.





NOTE: The hydraulic system requires a minimum oil pressure of 130 bar and an oil capacity of approx. 3 litres / min. After having operated the boom and the system has been filled with oil, check tractor's hydraulic oil level and top up if necessary.



BE CAUTIOUS WITH INITIAL USE OF THE HYDRAULIC SYSTEM; IF THERE IS AIR IN THE SYSTEM THIS MAY CAUSE VIOLENT MOVEMENTS OF THE BOOM. THEREFORE TAKE CARE THAT NO PERSONS OR OBJECTS ARE HURT OR DAMAGED IN THE PROCESS OF TESTING.

Transmission shaft

Operator safety

To avoid accidents and personal injuries, note the following recommended precautions and safe operation practices.

Always STOP ENGINE before attaching the transmission shaft to tractor P.T.O. - most tractor P.T.O. shafts can be rotated by hand to facilitate spline alignment, when engine is stopped.

When attaching the shaft, make sure that the snap lock is FULLY ENGAGED - push and pull shaft until it locks.



WARNING: ROTATING TRANSMISSION SHAFTS WITHOUT PROTECTION GUARDS ARE FATAL.

Always keep protection guards and chains intact and make sure that they cover all rotating parts, including cross journals at each end of the shaft. Do not use without protection guard.

Do not touch or stand on the transmission shaft when it is rotating - safety distance: 1.5 metre.

Prevent protection guards from rotating by attaching the chains allowing sufficient slack for turns.

Make sure that protection guards around tractor P.T.O. and implement shaft are intact.

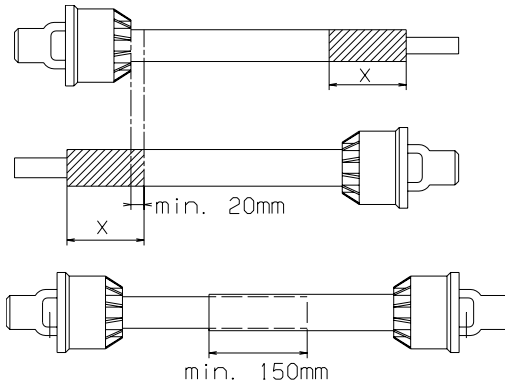
Always STOP ENGINE and remove the ignition key before carrying out maintenance or repairs to the transmission shaft or implement.

Installation of transmission shaft

Initial installation of the shaft is done as follows:

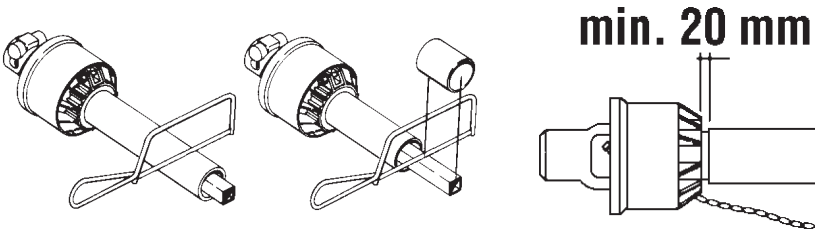
1. Attach sprayer to tractor and set sprayer in the position with **shortest** distance between the tractor and sprayer pump P.T.O. shafts.

2. Stop engine and remove ignition key.
3. If transmission shaft must be shortened, the shaft is pulled apart. Fit the two shaft parts at tractor and sprayer pump and measure how much it is necessary to shorten the shaft. Mark the protection guards.

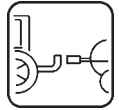
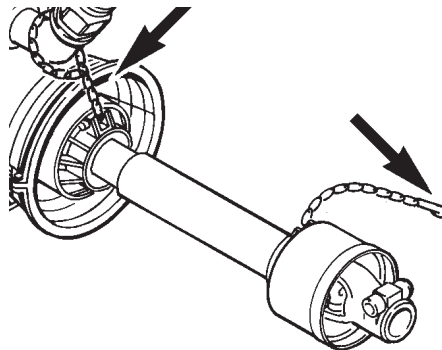


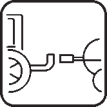
NOTE: The shaft must always have a minimum overlap of 150 mm.

4. The two parts are shortened equally. Use a saw, and file the profiles afterwards to remove burrs.
5. Grease the profiles, and assemble male and female parts again.

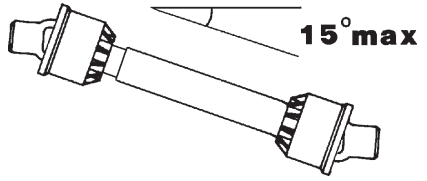


6. Fit the shaft to tractor and sprayer pump.
NOTE: Female part towards tractor. Fit the chains to prevent the protection guards to rotate with the shaft.



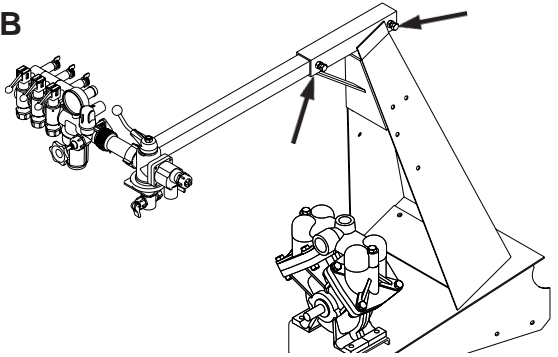


7. To ensure long life of the transmission shaft, try to avoid working angles larger than 15° .
8. Transmission shafts with cone must be fitted by tightening the Allen screw to a torque of 40 Nm. Check again after 2 minutes use.



Operating unit HYB

The position of the operating unit can be adjusted forward or backward. Position it so it can be operated from the tractor without risk of damage to the sprayer or tractor.

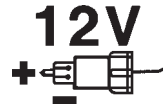


BK/EC and EC operating unit control box

The control box is fitted at a convenient place in the tractor cabin. The control box has 4 screw holes in the back cover. Mount it on a flat surface.

Power requirement is 12 V DC.

Note polarity. Brown pos. (+), Blue neg. (-).



Rear lights (if fitted)

Connect plug for rear lights to the tractors 7-poled socket and check that rear lights, stop lights and direction indicators work properly before driving anywhere.

The wiring is in ISO accordance. See section on "Technical specifications".



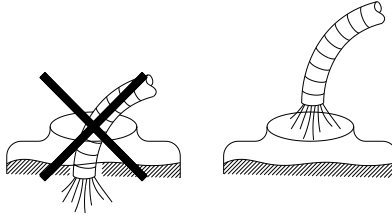
Roadworthiness

When driving on public roads and other areas where the highway code applies, or areas where there are special rules and regulations for marking and lights on implements, you should observe these and equip implements accordingly.

Operating instructions

Filling the main tank

Water is filled into the tank by removing the tank lid located at right hand side of sprayer tank. It is recommended to use as clean water as possible for spraying purposes. Always fill water through the strainer basket to prevent foreign particles from entering the tank. An overhead tank can be used in order to obtain high filling capacity.



WARNING: Do not let the filling hose enter the tank. Keep it outside the tank, pointing towards the filling hole. If the hose is lead into the tank and the water pressure drops at the water supply plant, chemicals may be syphoned back and contaminate the water supply lines, plant, and well.

Filling the Rinsing tank (if fitted)

Remove the tank lid and fill with clean water and replace lid.

Operating the boom

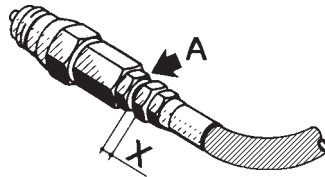
WARNING: Before unfolding the boom, it is important to connect the tractor to prevent overbalancing of the sprayer.

WARNING: Testing of the hydraulic system should be done very cautiously. There may be air in the system and this may cause violent movements of the boom. Therefore take care that no persons or objects are hurt or damaged in the process of testing.

Speed regulation of the hydraulic movements

A valve for regulation of boom unfolding speed is located on the return hydraulic hose. It is important to adjust the valve so that the boom operates smoothly.

Nut **A** is loosened, and the distance “**x**” is adjusted by turning the rapid coupling.





Unfolding and folding the HYB boom

The boom is manoeuvred by the control levers of the tractor.

WARNING: Only do so when the tractor is not moving.
Failure to do so will cause damage to the boom.



The HYB boom is operated as follows:

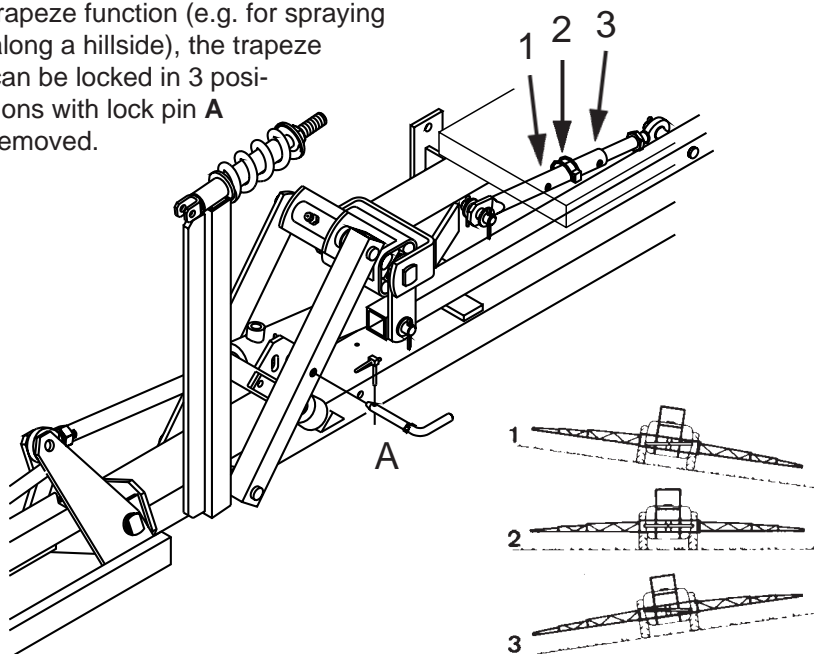
1. Raise the boom up and free of the transport brackets.
2. Unfold the boom wings.
3. Lower boom to recommended height.
4. Reverse the procedure to fold the boom.

Operating the trapeze

The trapeze suspension has to be correctly adjusted and lubricated if it is to operate satisfactorily.

The primary function of the suspension is to protect the boom against vibrations and shocks and to keep it in a uniform height above the target.

During normal field operation the lock pin **A** is removed. If you want to block the trapeze function (e.g. for spraying along a hillside), the trapeze can be locked in 3 positions with lock pin **A** removed.



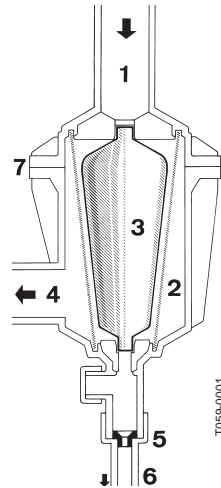
Hydraulic slanting control (if fitted).

The Hydraulic slanting control enables slanting of the entire boom hydraulically. This is advantageous when spraying along hillsides. Remove lock pin **A** before use. Reset position to neutral (midway) before folding the boom.

Self-cleaning filter (if fitted)

Function diagram

1. From pump
2. Filter screen
3. Guide cone
4. To operating unit
5. 3, 4, 5 or 6 mm restrictor
6. Return to tank
7. Ring nut



Choice of restrictor

It is important to have a large flow through the filter. This is achieved by choosing the restrictor size in relation to the liquid consumption of the spray boom.

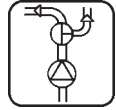
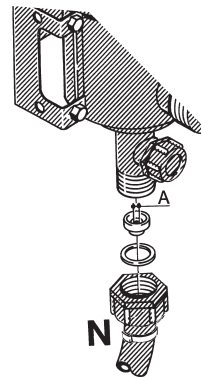
4 restrictors are supplied. Use the green one (largest **A** orifice first).

Hose **N** is unscrewed from the filter. Be careful not to loose the seal. The restrictor is placed in the hose and the hose is mounted again.

If the required working pressure cannot be obtained, the restrictor is too large. Choose a smaller restrictor. Start with a black one, then a white and finally a red one.

When cleaning the filter, remove hose **N** and the hose at the safety valve and check there are no residues.

Standard filter size is 80 mesh. Filters of 50 and 100 mesh are available. To remove filter mesh undo the large ring nut. Check condition and placement of O-rings before reassembly.





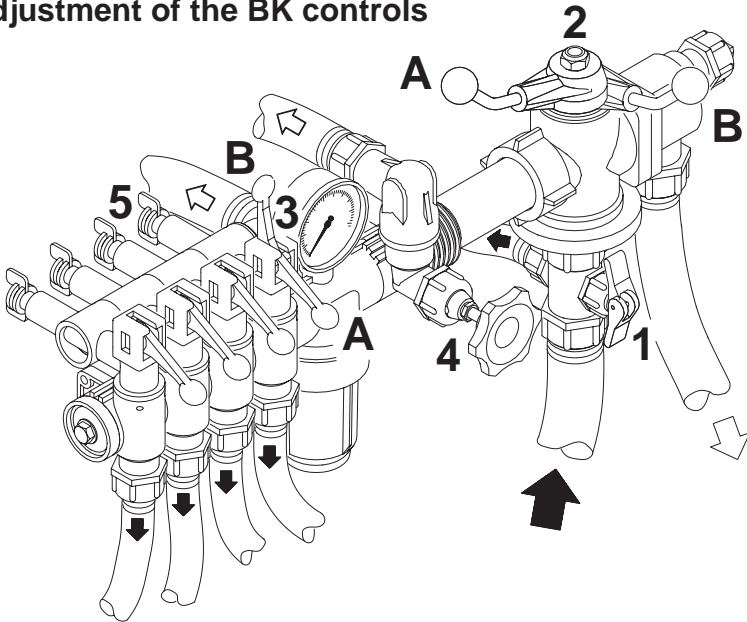
Pulsation damper (if fitted)

The air pressure in the pulsation damper is factory preset at 2 bar to cover spray working pressures between 3 and 15 bar. When using spray pressures outside this range, the air pressure should be adjusted as shown in the diagram. The diagram is also embossed on the damper.

bar	bar
1.5 - 3	0 - 1
3 - 15	1 - 3



Adjustment of the BK controls



1. Choose the correct nozzle. TRIPLET nozzle turrets are turned to the suitable nozzle for the spray purpose. Make sure that all nozzles are the same type and capacity. See "Spray Technique" book.
2. Open or close lever **1** depending on whether pressure agitation is required. (Remember pressure agitation takes 5% to 10% of pump output).
3. Turn main ON/OFF handle **2** to ON position **A**.
4. Set all hand levers **3** on the distribution valve to ON position **A**.
5. Turn the HARDI-MATIC valve **4** anti-clockwise to its extreme position.
6. Put the tractor in neutral and adjust the P.T.O., thereby the number of revolutions of the pump corresponding to the intended travelling speed.

NOTE: The P.T.O. revolutions must be kept between 300-600 r/min.
7. Adjust the HARDI-MATIC valve **4** so that the pressure gauge indicates the recommended pressure.

ADJUSTMENT OF PRESSURE EQUALIZATION:

8. Place the first lever **3** on the distribution valve in OFF position **B**.
9. Turn the adjusting screw **5** until the pressure gauge again shows the same pressure.
10. Adjust the other sections of the distribution valve in the same way.
Hereafter adjustment of pressure equalization will only be needed if you change to nozzles of other capacities.

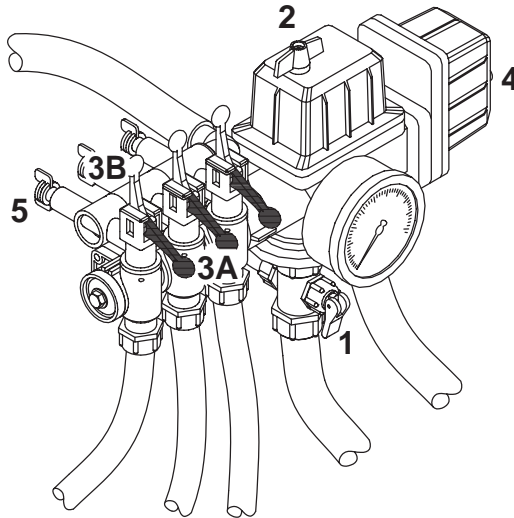
OPERATING THE CONTROL UNIT WHILE DRIVING:

11. To stop the liquid flow to the boom, turn the ON/OFF handle **2** to OFF position **B**. This returns the pump output to the tank through the return system. The diaphragm anti-drip valves ensure instantaneous closing of all nozzles.
To stop the liquid flow to one or more boom sections, turn lever **3** of the distribution valve to OFF position **B** for the section to be closed. The pressure equalization ensures that the pressure does not rise in the sections which are to remain open.

Adjustment of the BK/EC controls (if fitted)

BK/EC operating unit

1. Pressure agitation valve
2. Main ON/OFF valve
3. Distribution valve
4. Pressure control valve
5. Adjustment screw for pressure equalization





BK/EC Remote control box

- A. Operating switch for main ON/OFF valve
- C. Pressure control switch (to lower)
- D. Pressure control switch (to raise)

1. Choose the correct nozzle. TRIPLET nozzle turrets are turned to the suitable nozzle for the spray purpose. Make sure that all nozzles are the same type and capacity. See "Spray Technique" book.
2. Open or close lever **1** depending on whether pressure agitation is required. (Remember pressure agitation takes 5% to 10% of pump output).
3. Main ON/OFF switch **A** is set to ON.
4. Set all hand levers **3** on the distribution valve to ON position **A**.
5. Pressure control switch **C** is activated until emergency handle **4** stops rotating (minimum pressure).
6. Put the tractor in neutral and adjust the P.T.O. thereby the number of revolutions of the pump corresponding to the intended travelling speed.

NOTE: The P.T.O. revolutions must be kept between 300-600 r/min.

7. Pressure control switch **D** is activated till the recommended pressure is shown on the pressure gauge.

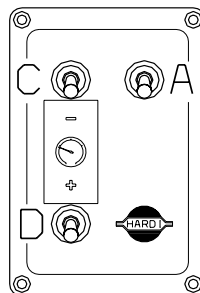
ADJUSTMENT OF PRESSURE EQUALIZATION:

8. Place the first lever **3** on the distribution valve in OFF position **B**.
9. Turn the adjusting screw **5** until the pressure gauge again shows the same pressure.
10. Adjust the other sections of the distribution valve in the same way. Hereafter adjustment of pressure equalization will only be needed if you change to nozzles of other capacities.

OPERATING THE CONTROL UNIT WHILE DRIVING:

11. To stop the liquid flow to the boom, switch ON/OFF **A** to OFF position. This returns the pump output to the tank through the return system. The diaphragm anti-drip valves ensure instantaneous closing of all nozzles.

To stop the liquid flow to one or more boom sections, turn lever **3** of the distribution valve to OFF position **B** for the section to be closed. The pressure equalization ensures that the pressure does not rise in the sections which are to remain open.

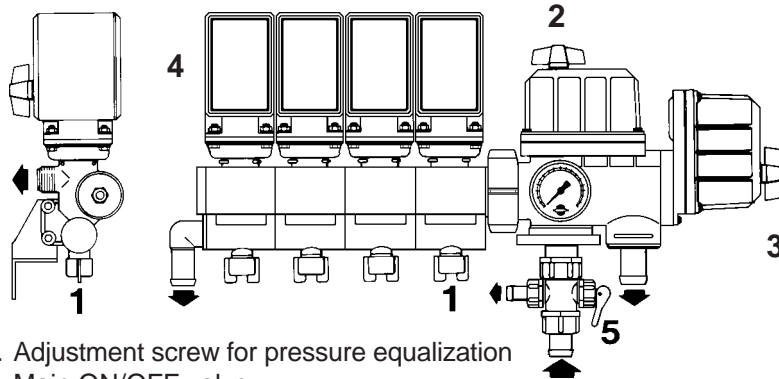


In case of power failure it is possible to activate the functions of the operating unit. To operate manually, disconnect the multiplug first.

When the sprayer is put aside, the control box and the multiplug must be protected against moisture and dirt. A plastic bag may be used to protect the multiplug.

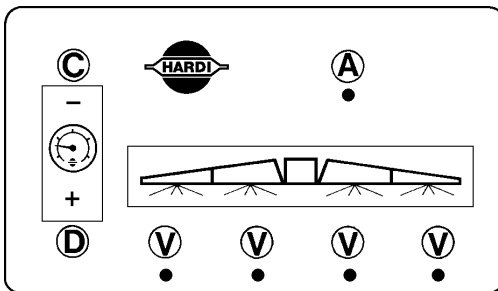
Adjustment of the EC controls

EC operating unit



1. Adjustment screw for pressure equalization
2. Main ON/OFF valve
3. Pressure control valve
4. Distribution valve
5. Pressure agitation valve

EC Remote control box



- A. Operating switch for main ON/OFF valve
- V. Operating switch for distribution valves
- C. Pressure control switch (to lower)
- D. Pressure control switch (to raise)





1. Choose the correct nozzle. TRIPLET nozzle turrets are turned to the suitable nozzle for the spray purpose. Make sure that all nozzles are the same type and capacity. See "Spray Technique" book.
2. Open or close lever **5** depending on whether pressure agitation is required. (Remember pressure agitation takes 5% to 10% of pump output).
3. Main ON/OFF switch **A** is set towards green.
4. All distribution valve switches **V** are set towards green.
5. Pressure control switch is activated towards **C**, until emergency handle **3**, stops rotating (minimum pressure).
6. Put the tractor in neutral and adjust the P.T.O. and thereby the number of revolutions of the pump corresponding to the intended travelling speed.



- NOTE:** The P.T.O. revolutions must be kept between 300-600 r/min.
7. Pressure control switch **D** is activated till the recommended pressure is shown on the pressure gauge.

ADJUSTMENT OF PRESSURE EQUALIZATION:

8. Close the first distribution valve switch **V**.
9. Turn the adjusting screw **1** until the pressure gauge again shows the same pressure.
10. Adjust the other sections of the distribution valve in the same way. Hereafter adjustment of pressure equalization will only be needed if you change to nozzles of other capacities.

OPERATING THE CONTROL UNIT WHILE DRIVING:

11. To stop the liquid flow to the boom, switch ON/OFF **A** to OFF position. This returns the pump output to the tank through the return system. The diaphragm anti-drip valves ensure instantaneous closing of all nozzles.

To stop the liquid flow to one or more boom sections, switch the relevant distribution valve **V** to OFF position. The pressure equalization ensures that the pressure does not rise in the sections which are to remain open.



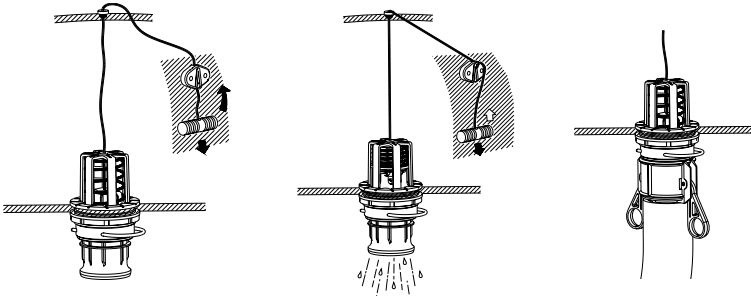
In case of power failure it is possible to activate all functions of the operating unit. To operate manually, disconnect the multiplug first.



When the sprayer is put aside, the control box and the multiplug must be protected against moisture and dirt. A plastic bag may be used to protect the multiplug.

Operation of the tank drain valve

Pull the red handle on the side of the tank to open the drain valve. The valve is spring-loaded, but can be kept open by pulling the string out and upwards in the V-shaped slit. To release, pull the string downward and the valve will close automatically.



If draining residues, e.g. liquid fertilizer into a reservoir, a snap-coupler with hose can rapidly be connected to the drain valve and the liquid safely drained.

Spray Technique - see separate book.

Optional Extras - see separate book.

Maintenance

In order to derive full benefit for many years from the sprayer, the following few but important rules should be kept:

Cleaning the sprayer

Guidelines

Read the whole label of the chemical. Take note of any particular instructions regarding recommended protective clothing, deactivating agents, etc. Read the detergent and deactivating agent labels. If cleaning procedures are given, follow them closely.

Be familiar with local legislation regarding disposal of pesticides washings, mandatory decontamination methods, etc. Contact the appropriate body, eg. Dept of Agriculture.

Pesticide washings can usually be sprayed out on a soakaway. This is an area of ground that is not used for cropping. You must avoid seepage or run-off of residues into streams, water courses, ditches, wells, springs, etc. The washings from the cleaning area must not enter sewers. Drainage must lead to a soakaway.





Cleaning starts with the calibration, as a well calibrated sprayer will ensure the minimal amount of remaining spray liquid.

It is good practice to clean the sprayer immediately after use, thereby rendering the sprayer safe and ready for the next pesticide application. This also prolongs the life of the components.

It is sometimes necessary to leave spray liquid in the tank for short periods, eg. overnight, or until the weather becomes suitable for spraying again. Unauthorized persons and animals must not have access to the sprayer under these circumstances.

If the product applied is corrosive, it is recommended to coat all metal parts of the sprayer before and after use with a suitable rust inhibitor.

Remember: Clean sprayers are safe sprayers.

Clean sprayers are ready for action.

Clean sprayers can not be damaged by pesticides and their solvents.

Cleaning

1. Dilute remaining spray liquid in the tank with at least 10 parts water and spray the liquid out in the field you have just sprayed.
NOTE: It is advisable to increase the forward speed (double if possible) and reduce the pressure. For S4110 nozzles, pressure may be reduced to 1.5 bar.
2. Select and use the appropriate protective clothing. Select detergent suitable for cleaning and suitable deactivating agents if necessary.
3. Rinse and clean sprayer and tractor externally. Use detergent if necessary.
4. Remove tank and suction filters and clean. Be careful not to damage the mesh. Replace suction filter top. Replace filters when the sprayer is completely clean.
5. With the pump running, rinse the inside of the tank. Remember the tank roof. Rinse and operate all components and any equipment that has been in contact with the chemical. Before opening the distribution valves and spraying the liquid out, decide whether this should be done in the field again or on the soakaway.
6. After spraying the liquid out, stop the pump and fill at least $\frac{1}{5}$ of the tank with clean water. Note that some chemicals require the tank to be completely filled. Add appropriate detergent and/or deactivating agent, eg. Washing soda.

NOTE: If a cleaning procedure is given on the chemical label, follow it closely.

7. Start the pump and operate all controls enabling the liquid to come in contact with all the components. Leave the distribution valves until last. Some detergents and deactivating agents work best if left in the tank for a short period. Check the label.

The Self-Cleaning Filter can be flushed by removing the bypass hose from the bottom of the filter. Stop the pump and remove the hose. Start the pump for a few seconds to flush filter. Be careful not to loose the restrictor nozzle.

8. Drain the tank and let pump run dry. Rinse inside of tank, again letting the pump run dry.
9. Stop the pump. If the pesticides used have a tendency to block nozzles and filters, remove and clean them now. Check also for sediment on the pressure side of the safety valve for the Self-Cleaning Filter.
10. Replace all the filters and nozzles and store the sprayer. If, from previous experiences, it is noted that the solvents in the pesticide are particularly aggressive, store the sprayer with the tank lid open.

NOTE: If the sprayer is cleaned with a high pressure cleaner we recommend lubrication of the entire machine.



Filters

Clean filters ensure :

- Sprayer components such as valves, diaphragms and operating unit are not hindered or damaged during operation.
- Nozzle blockages do not occur whilst spraying.
- Long life of pump. A blocked suction filter will result in pump cavitation.

Suction filter

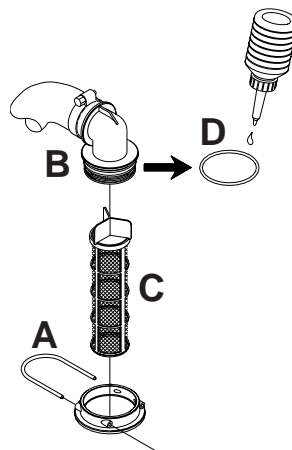
The main filter protecting sprayer components is the suction filter at the top of the tank. Check it regularly.

To service the suction filter:

1. Pull the steel clip **A** out.
2. Lift the suction hose fitting **B** from housing.
3. Filter guide and filter **C** can now be removed.

To reassemble:

4. Press the guide onto filter end.
5. Place the filter into housing with guide facing up.
6. Ensure the O-ring **D** on the hose fitting is in good condition and lubricated.
7. Refit the suction hose **B** and steel clip **A**.





BK Pressure filter / In Line Filters (if fitted)

The BK operating unit has an in-built pressure filter. Unscrew the filter bowl to inspect and clean the filter.

The boom may be equipped with In Line Filters. Unscrew the filter bowl to inspect and clean the filter.

Alternative filters are available. See section on Technical specifications - Filters and nozzles.

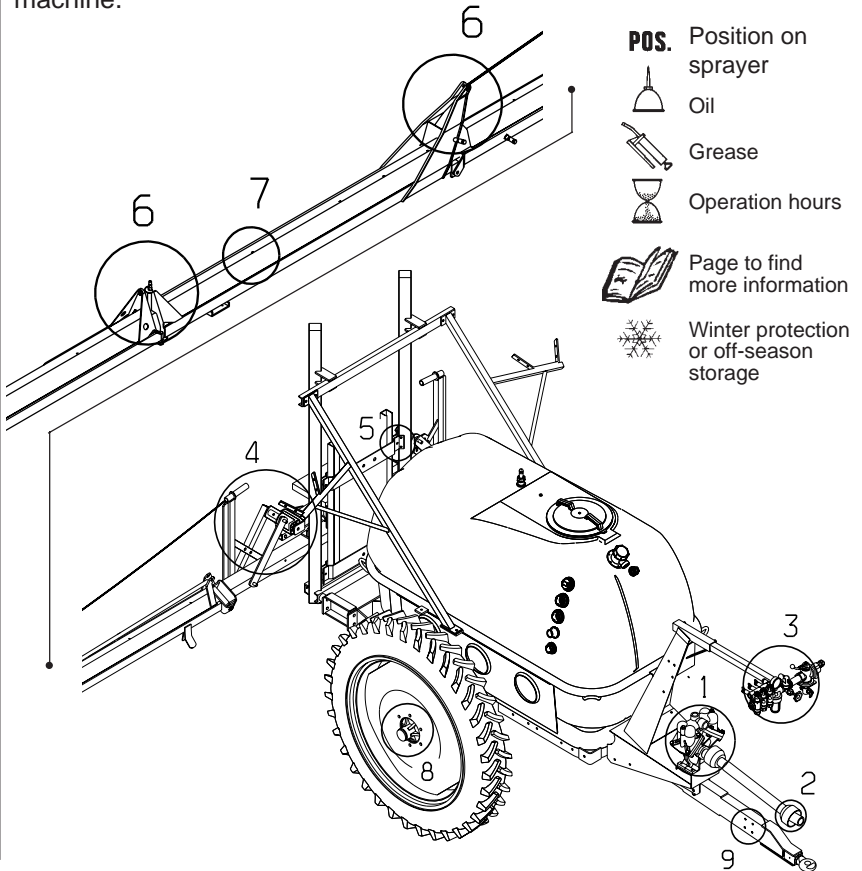






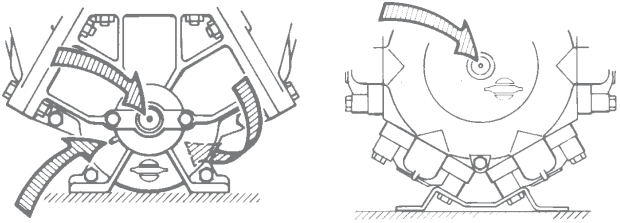
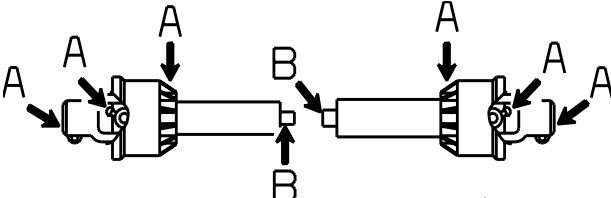
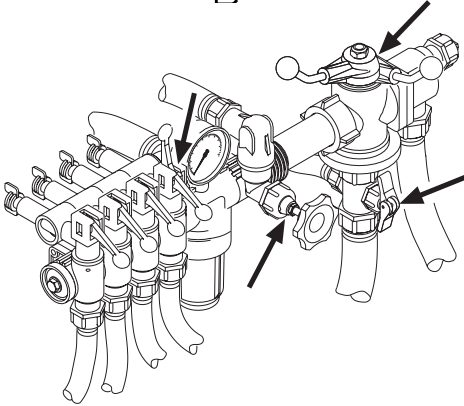
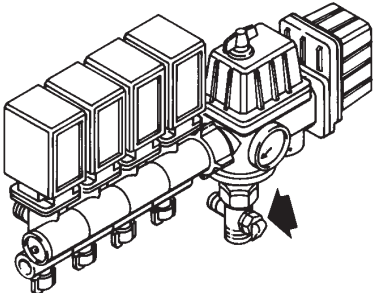
Lubrication





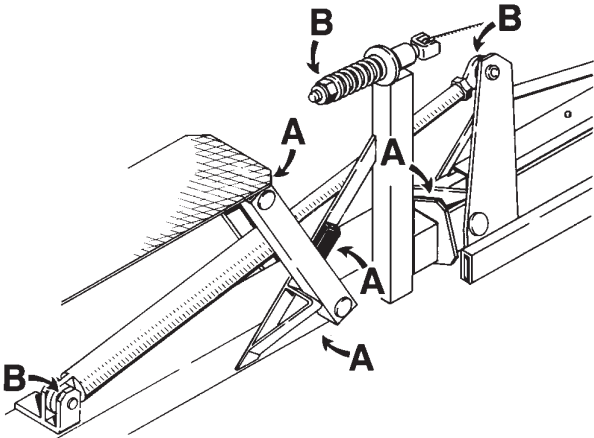
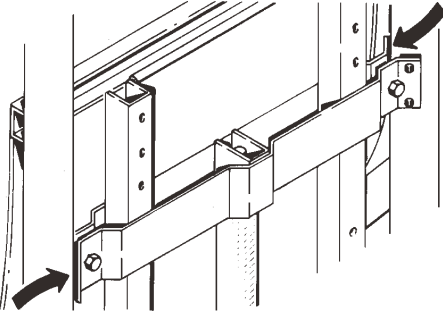
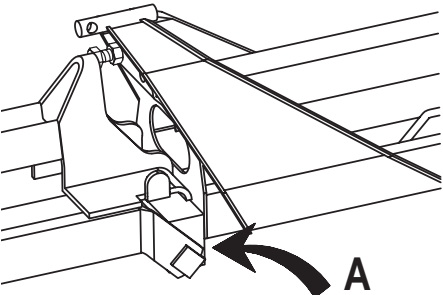
Recommended lubrication is shown in following tables. Use ball bearing grease (lithium grease No. 2).





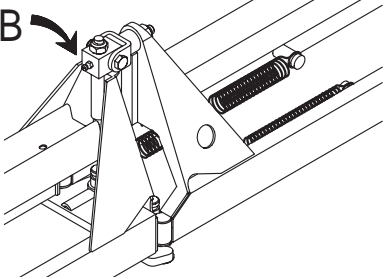
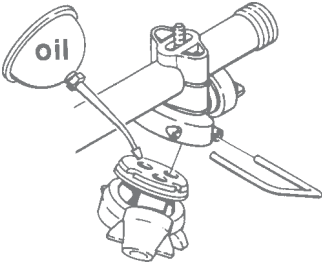
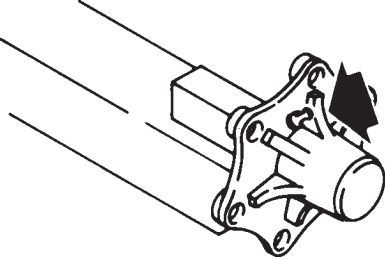
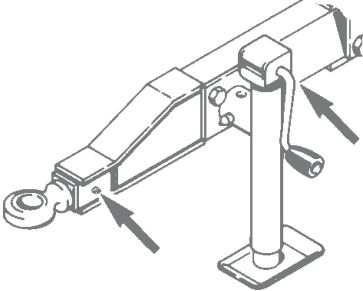


NOTE: If the sprayer is cleaned with a high pressure cleaner or it has been used to spray fertilizer, we recommend lubrication of the entire machine.



POS.					
1		X	40		28
2 A B		X X	8 40		8 30
3	X		20		14 29
3	X		20		14 29

POS.					
4 A B	X	x	8 8		12 26 27 28
5 A B	X	X	40 40		11 26 27
6		x	40		11 26 27

POS.					
6		x	40		26
7	x				14 16 18 34
8		X	1000		7 13
9		X	40		6



Re-adjustment of the boom

NOTE: If the sprayer is cleaned with a high pressure cleaner or fertilizer has been used, we recommend lubrication of all sections.

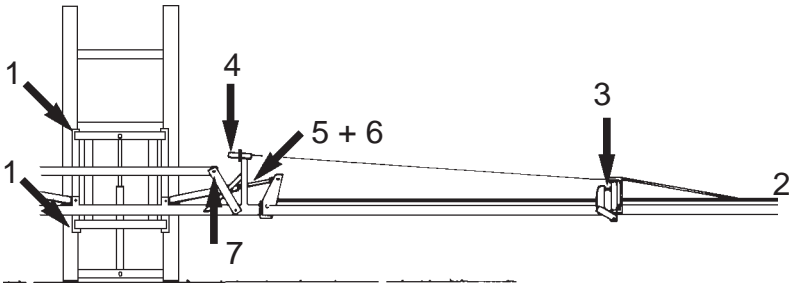


After having used the sprayer for some days, the boom should be adjusted according to the following instructions:

NOTE: Tractor and sprayer must be on level ground with unfolded boom. Sprayer must be lubricated. See section on Lubrication.

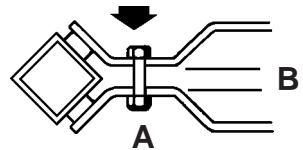
Carry out adjustments in the following (1, 2, 3...) order.

WARNING: NOBODY MUST BE UNDER THE BOOM WHILST ADJUSTMENT IS CARRIED OUT.



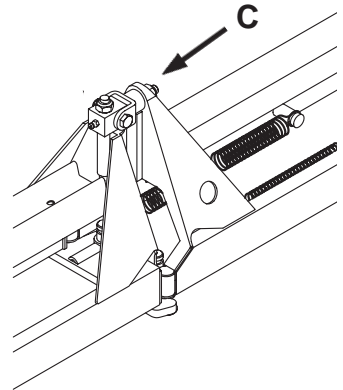
1. Boom lift

The boom lift must be adjusted so it is firm and yet can freely move up and down when the lift ram is operated. Adjust both sides. Adjust **A** so gap **B** is equal at all 4 points.



2. Breakaway

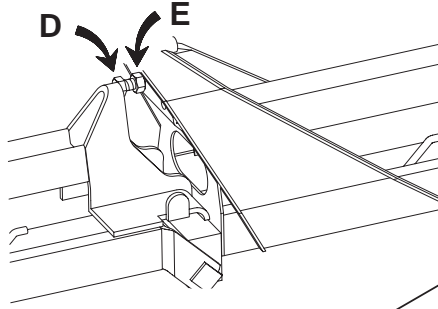
Adjust nut **C** at swivel so the breakaway is parallel with the outer section.





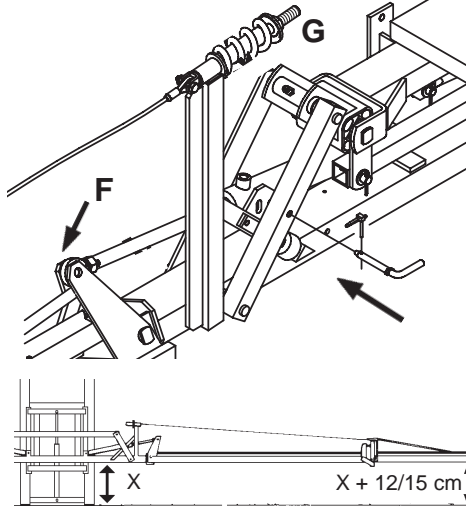
3. Parallel adjustment of outer section

Loosen counter nut **D** and turn screw **E** until the outer section of the boom is parallel with the inner section of the same side.



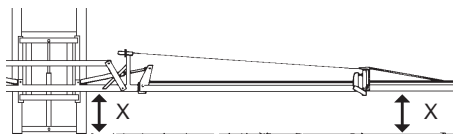
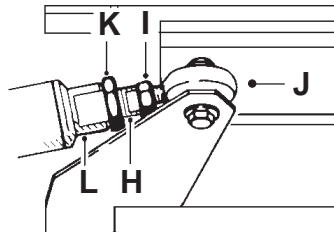
4. Wire

The wire function is to carry the boom wings. Adjustment of the wire should be undertaken with the boom unfolded and the hydraulic rams **F** disconnected from the boom wings. Replace lock pin. Tighten nut **G** so that the tip is raised 12 cm for the 12 m boom and 15 cm for the 15 m boom from the horizontal line of the centre section.



5. Parallel adjustment of inner section

1. Cautiously activate the hydraulic rams **F** so they are fully extended. Make sure the extension **H** is screwed in and tight.
2. Loosen counter nut **I** and adjust the ram eye **J** so that when connected, the boom wings are parallel with the centre section. The ram must force the boom tip down so distance "X" is equal.





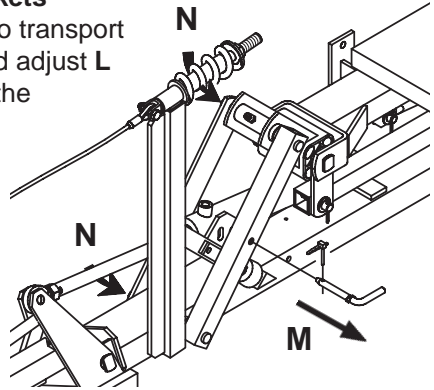
6. Adjustment for transport brackets

Fold boom and lower cautiously into transport brackets. Loosen counter nut **K** and adjust **L** so the boom rests in the middle of the brackets.

7. Trapeze suspension

For the trapeze to function it must not be too tight. If it is too loose the boom will yaw (forward and back movement). This results in a poor spray distribution.

Remove lock pin **M**. Adjust tension **N** so the boom is not too tight nor too loose. Minor adjustment in the field may be necessary.



IMPORTANT: Check all counter nuts are tight after adjustment.

Changing of valves and diaphragms

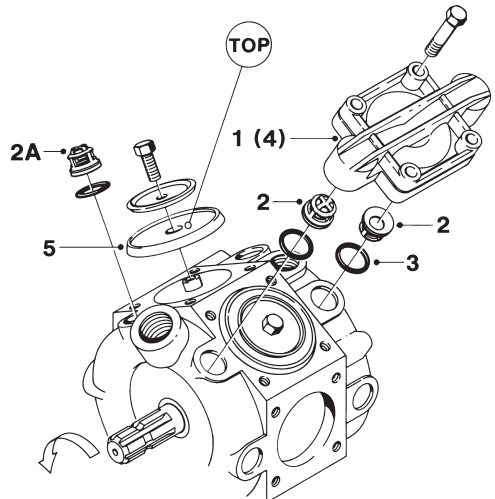
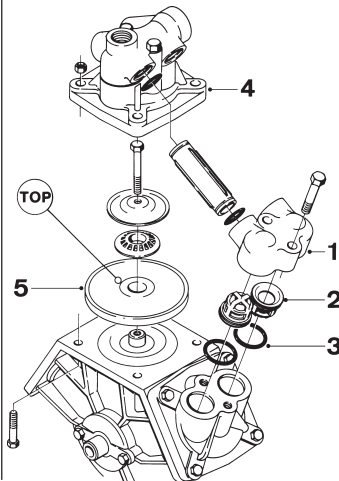
Valves

Remove valve cover **1**. Before changing the valves **2**, note their orientation so they are replaced correctly.

NOTE: One special valve with white flap **2A** is used on model 361.

It has to be placed in the valve opening shown.

It is recommended to use new gaskets **3** when changing or checking the valves.



Diaphragms

Remove the diaphragm cover **4**. The diaphragm **5** may then be changed. If fluids have reached the crankcase, re-grease the pump thoroughly. Check also the drain hole at the bottom of the pump is not blocked. Reassemble with the following torque setting.

Pump Model	Valve cover Nm	Diaphragm cover Nm	Diaphragm bolt Nm
1302	60	70	60
361	70		60

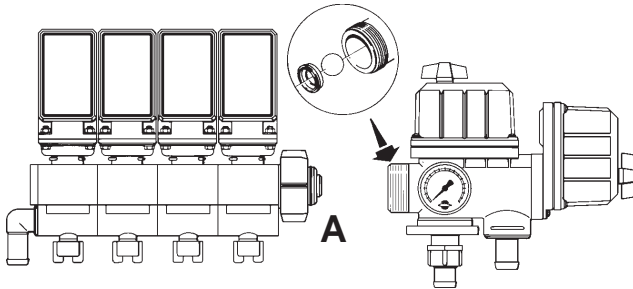
1 Nm = 0.74 ft-lb



Changing the ball seat in operating unit BK, BK/EC, EC

If the main ON/OFF valve does not seal properly (dripping nozzles when main ON/OFF valve is closed), the ball and seat should be checked.

Remove the 2 bolts fixing the main ON/OFF pressure valve unit to the bracket, unscrew the union nut **A** and pull the valve away from the distribution valves.



Check the ball for sharp edges and scratches, and check the ball seat for cracks and wear - replace if necessary.

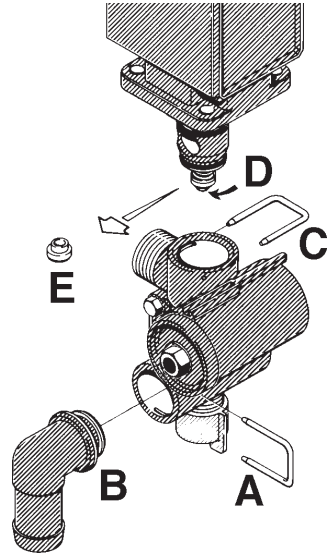


Checking the valve cone - EC only

Periodically check the distribution valves for proper sealing. Do this by running the sprayer with clean water and open ON/OFF valve and all distribution valves.

Cautiously remove the clip **A** and pull out the hose **B** for the pressure equalization device. When the housing is drained, there should be no liquid flow through the pressure equalization device. If there is any leakage, the valve cone **E** must be changed.

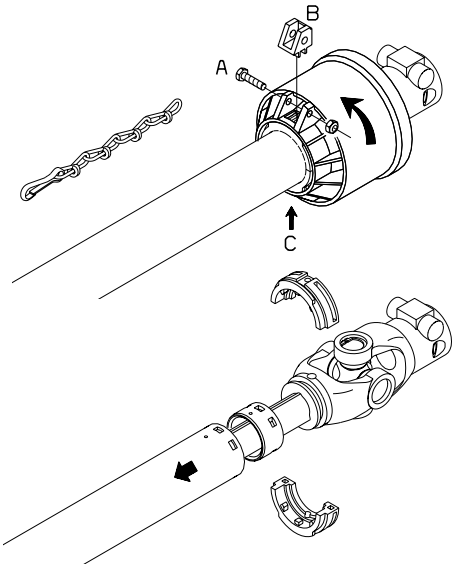
Remove the clip **C** and lift the EC-motor housing off the valve housing. Then unscrew the screw **D** and replace the valve cone **E**. Reassemble in opposite sequence.



Replacement of transmission shaft protection guards

The replacement of defective protection guards is easy to do.

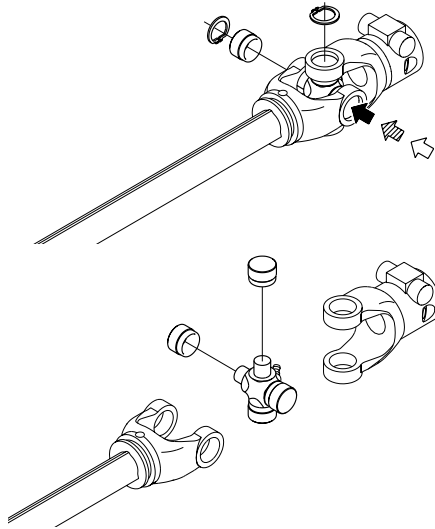
1. Remove bolt **A**, lock **B** and grease nipple **C**. Twist universal cross cover $\frac{1}{4}$ turn and pull it backwards.
2. Remove the synthetic bearings and protection tube.
- 2a. Remove inner bush from protection tube.
3. Assemble again in reverse order, using new parts where necessary. Remember to fit chains again.
4. Grease bearings.



Use only genuine HARDI spare parts to service the transmission shaft.

Replacement of transmission shaft cross journals.

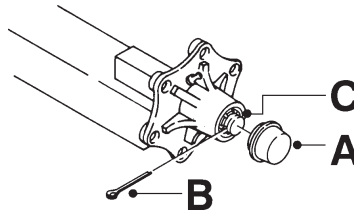
1. Remove protection guard as described previously.
2. Remove Seeger circlip rings
3. Press the cross journal sideways - use hammer and mandrel if necessary.
4. Remove needle bearing cups and cross journal can now be removed.
5. Carefully remove needle bearing cups from new cross journal and install it in reverse order. Before fitting the needle bearing cups again, check that needles are placed correctly. Avoid dust and dirt in the new bearings.



Wheel nuts and bearings

Check wheel nut tension after the first 8 working hours (hereafter "hours").

Thread	Spanner size (mm)	Torque (Nm)
M18 x 1.5	24	260
M20 x 1.5	27	340
M22 x 2.0	32	420



Check roller bearing slack after the first 8 hours and 50 hours. Thereafter every 100 hours.

If necessary, adjust as follows;

1. Jack wheel up. It is best to remove the wheel.
2. Remove hub cap **A** and split pin **B**.
3. Shaft nut **C** is tightened until slight rotation resistance of drum is noted (check it is not the brake linings).
4. Now loosen shaft nut until first split pin hole is visible.
5. Insert split pin and replace hub cap.

After 1000 hours or once a year, the axle bearings are greased.



Recommended tyre pressure

The tyres should not run under-inflated. This only promotes instability and rapid wear.

Tyre size: Maximum pressure:

9,5 x 20" 2,4 bar (34 psi)

9,5 x 36" 3,8 bar (54 psi)

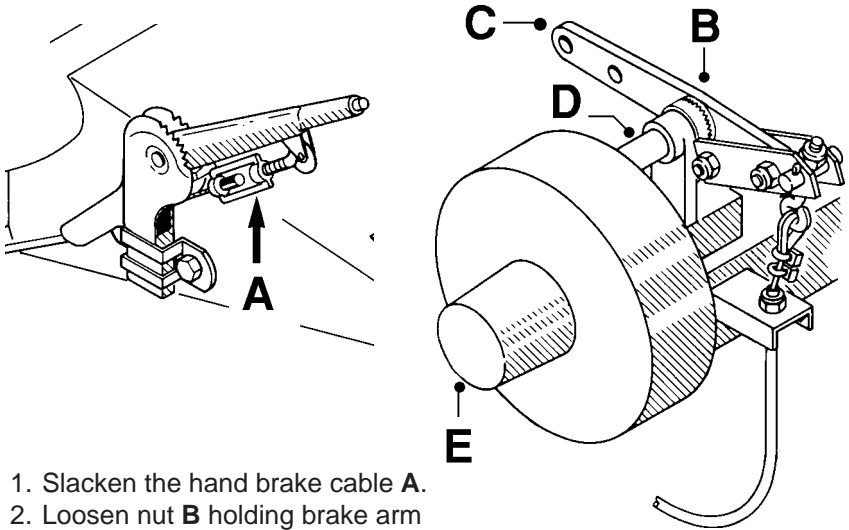
9,5 x 44" 3,0 bar (43 psi)

The pressure is specified for a full loaded trailer. When travelling on hard road surfaces with maximum load, do not exceed 10 km/h. Remember it is easier to let off a little pressure for a specific use than to re-inflate a tyre in mid-field.



Adjustment of brakes (if fitted)

As the brake linings wear it may be necessary to adjust the position of the brake arm. Initial check is made at 100 hours.



1. Slacken the hand brake cable **A**.
2. Loosen nut **B** holding brake arm **C** to cam shaft **D** entering brake drum.
3. Loosen brake arm **C** so the grooved washers are freed.
4. Rotate cam shaft **D** as if braking (use a pipe wrench) until wheel just turns smoothly.
5. Refit brake arm **C** and nut.
6. Take slack from hand brake cable **A**.



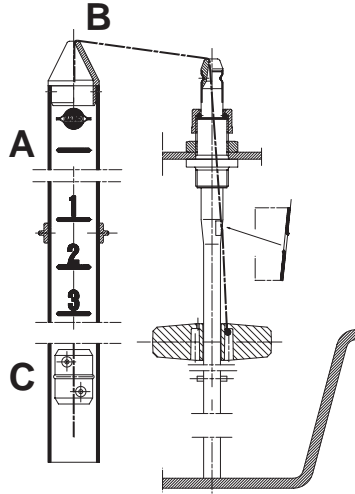
Cam shaft **D** is to be greased after the initial 100 hours and thereafter 1000 hours or once a year.

After 1000 hours or once a year, the axle bearings are greased and brake linings checked. Remove hub cap **E** to grease bearings. The brake drum must be removed before the linings can be checked. See section on "Wheel nuts and bearings". Replacement must take place before the brake lining rivets contact the brake drums.

Level indicator

The level indicator should be checked regularly. When the tank is empty, the floater should rest on the stop pin on the rod and the O-ring at the indicator should be positioned at the top position line **A**.

If any deviation is found, pull out the plug **B**, loosen the screws **C** and adjust the length of the cord.

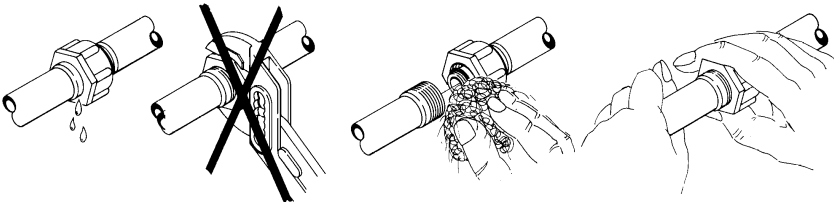
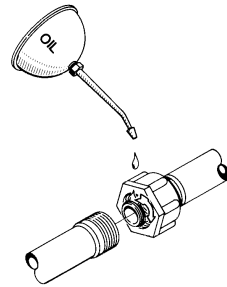


Nozzle tubes and fittings

Poor seals are usually caused by;

- missing O-rings or gaskets
- damaged or incorrectly seated O-rings
- dry or deformed O-rings or gaskets
- foreign bodies

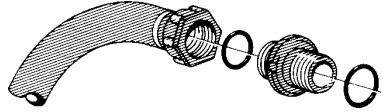
Therefore, in case of leaks: **DO NOT** overtighten. Disassemble, check condition and position of O-ring or gasket, clean, lubricate and reassemble.





The O-ring is lubricated **ALL THE WAY ROUND** before fitting on to the nozzle tube. Use non-mineral lubricant.
For **radial** connections only hand-tighten them.

For **axial** connections, a little mechanical leverage may be used.



Off-season storage

When the spraying season is over you should devote some extra time to the sprayer before it is stored.

Hoses

Check that none of the hoses are caught or have sharp bends. A leaky hose can give an annoying delay in the middle of the spraying job. Therefore check all the hoses and change if there is any doubt about the durability.

Paint

Some chemicals are very rough on paints. It is therefore well advised to remove rust, if any, and then touch up the paint.

Tank

Check that no chemical residues are left from the last spraying. Chemical residues must not be left in the tank for a long time. It will reduce the life of the tank. See section on Cleaning the sprayer.

BK/EC and EC operating unit

When the sprayer is put away, the control box and the multiplug must be protected against moisture and dirt. Possibly use a plastic bag.

Transmission shaft

It is important that the push pins are clean and well lubricated to ensure safe function.

Every 1000 hours:

Check condition of protection guards and replace nylon bearings.

Check general condition of cross journals and push-pin/quick release - replace if necessary.

Anti-freeze precaution

If the sprayer is not stored in a frost-free place, you should take the following precautions: Put at least 10 litres of 33% anti-freeze mixture in the tank and let the pump run a few minutes so that the entire system including spray hose is filled. The anti-freeze solution also hinders the O-rings and gaskets from drying out.

Remove the glycerine filled pressure gauge and store it frost-free in vertical position. The anti-freeze solution also hinders the O-rings and gaskets from drying out.

Operational problems

In cases where breakdowns have occurred the same factors always seem to come into play:

- Minor leaks on the suction side of the pump will reduce the pump capacity or stop the suction completely.
- A clogged suction filter will hinder or prevent suction so that the pump does not operate satisfactorily.
- Clogged up pressure filters will result in increasing pressure at the pressure gauge but lower pressure at the nozzles.
- Foreign bodies stuck in the pump valves with the result that these cannot close tightly against the valve seat. This reduces pump efficiency.
- Poorly reassembled pumps, especially diaphragm covers will allow the pump to suck air resulting in reduced or no capacity.
- Electrical and hydraulic components that are contaminated will result in poor connections and rapid wear to the hydraulic system.

Therefore ALWAYS check:

1. Suction, Self-Cleaning, pressure and nozzle filters are clean.
2. Hoses for leaks and cracks, paying particular attention to suction hoses.
3. Gaskets and O-rings are present and in good condition.
4. Pressure gauge is in good working order. Correct dosage depends on it.
5. Operating unit functions properly. Use clean water to check.
6. Electrical and hydraulic components are maintained clean.





Fault	Probable cause	Control / remedy
Liquid system		
No spray from boom when turned on.	Air leak on suction.	Check if suction filter O-ring is sealing. Check suction tube and fittings. Check tightness of pump diaphragm and valve covers.
	Air in system.	Fill suction hose with water for initial prime.
	Suction/pressure filters clogged.	Clean filters. Check yellow suction pipe is not obstructed or placed too near the tank bottom.
Lack of pressure.	Incorrect assembly.	Agitation nozzles not fitted.
		Restrictor nozzle in Self-Cleaning Filter not fitted.
		Safety valve spring for Self-Cleaning Filter not tight.
		Too little distance between yellow suction pipe and tank bottom.
	Pump valves blocked or worn.	Check for obstructions and wear.
	Defect pressure gauge.	Check for dirt at inlet of gauge.
Pressure dropping.	Filters clogging.	Clean all filters. Fill with cleaner water.
		If using powders, make sure agitation is on.
	Nozzles worn.	Check flow rate and replace nozzles if it exceeds 10%.
	Tank is airtight.	Check vent is clear.
	Sucking air towards end of tank load.	Excessive agitation, turn off. Returns inside tank need relocation.



Fault	Probable cause	Control / remedy
Pressure increasing	Pressure filters beginning to clog.	Clean all filters.
	Agitation nozzles clogged.	Check by turning agitation off and on.
Formation of foam.	Air is being sucked into system.	Check tightness / gaskets / O-rings of all fittings on suction side.
	Excessive liquid agitation.	Turn agitation off. Reduce pump r/min.
		Check safety valve for Self-Cleaning Filter is tight.
		Ensure returns inside tank are present.
		Use foam damping additive.
Liquid leaks from bottom of pump.	Damaged diaphragm.	Replace. See Changing of valves and diaphragms.

Operating unit BK/EC and EC

Operating unit not functioning	Blown fuse(s).	Check mechanical function of microswitches. Use cleaning/ lubricating agent if the switch does not operate freely. Check motor. 450-500 milli-Amperes max. Change motor, if over.
	Wrong polarity.	Brown - pos. (+). Blue - neg. (-).
	Valves not closing properly.	Check valve seals for obstructions. Check microswitch plate position. Loosen screws holding plate a 1/2 turn.
	No power.	Wrong polarity. Check that brown is pos. (+), Blue is neg. (-). Check print plate for dry solders or loose connections. Check fuse holder are tight around fuse.

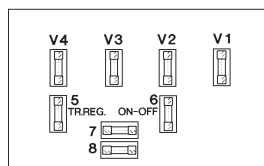
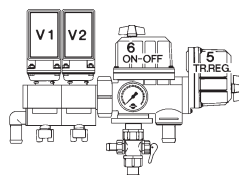


Fault	Probable cause	Control / remedy
Hydraulic system		
Boom slow/ericid.	Air in system.	Loosen ram connection and activate hydraulics until oil flow has no air in it (not whitish).
	Regulation valve incorrectly set	Open or close until desired speed is achieved (clockwise = less speed). Remember oil must be at operating temperature.
	Insufficient hydraulic pressure.	Check output pressure of tractor hydraulics. Minimum for sprayer is 130 bar.
	Insufficient amount of oil in tractor reservoir.	Check and top up if needed.
Ram not functioning.	Restrictor or regulation valve blocked.	Secure boom with "S" hook. Dismantle and clean.

Emergency operation of BK/EC and EC

In case of power failure it is possible to operate all functions of the operating unit manually. First disconnect the multiplug from the control box. Now manually turn the emergency control knobs. The problem may be due to a blown fuse. The fuses are placed in the control box and are marked according to functions. Fuses 7 and 8 are spare fuses.

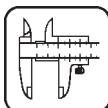
Fuse type T 500 mA
HARDI ref. no. 261125



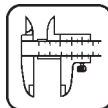
Technical specifications

Pump power consumption and capacity

1302/9.0	r/min									
	300		400		500		540		600	
bar	l/min	kW	l/min	kW	l/min	kW	l/min	kW	l/min	kW
0	63	0,90	84	1,19	103	1,51	114	1,61	125	1,80
5	58	0,94	79	1,29	96	1,61	105	1,75	116	1,93
10	56	1,30	76	1,80	94	2,30	101	2,48	111	2,72
15	55	1,80	74	2,22	93	2,92	99	3,18	109	3,54
Rotation per min.	r/min	Capacity			l/min	Suction height			0,0 m	
Power consumption	kW	Max. pressure			15bar	Weight			35,0 kg	

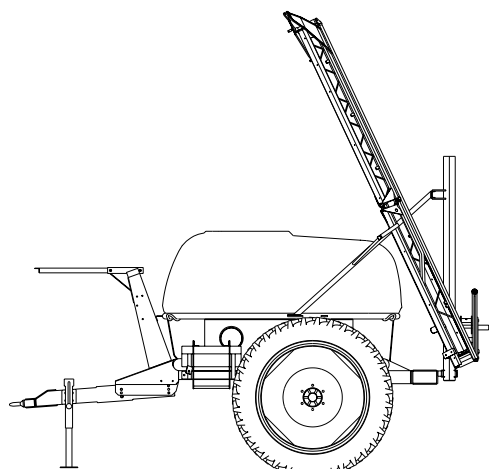


361/9.5	r/min									
	300		400		500		540		600	
bar	l/min	kW	l/min	kW	l/min	kW	l/min	kW	l/min	kW
0	95	0,92	127	1,33	158	1,56	171	1,69	189	1,85
5	92	1,49	123	1,93	151	2,38	165	2,63	183	2,98
10	91	2,22	120	2,89	148	3,69	163	4,02	180	4,74
15	89	3,03	119	3,92	148	4,90	160	5,40	177	6,15
Rotation per min.	r/min	Capacity			l/min	Suction height			0,0 m	
Power consumption	kW		Max. pressure			15bar	Weight			54,0 kg

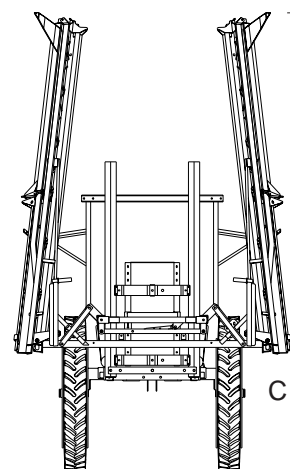


Measure and weight

Tank Size	Spray width m	Pump	Measure A x B x C	Weight kg
1500	12	1302	420 x 250 x 300	1120
		361	420 x 250 x 300	1150
	15	1302	420 x 250 x 380	1140
		361	420 x 250 x 380	1170



A



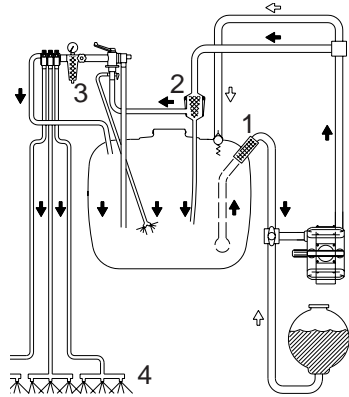
B

C



Filters and nozzles

Pos.	Mesh/colour	Description/ nozzle
1	30 green	Suction filter
2	80 red	Self-Cleaning Filter (if fitted)
3	50 blue	Pressure filter
4	50 blue	Nozzle S4110-14 Nozzle S4110-16 Nozzle S4110-20



Temperature and pressure ranges

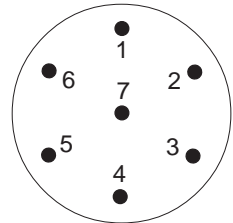
Operating temperature range: 2° to 40° C.

Operating pressure for safety valve: 15 bar

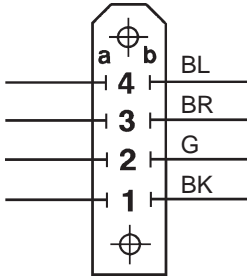
Electrical connections

Rear lights

Position	Wire colour
1. LHS direction indicator	Yellow
2. Free	Blue
3. Frame	White
4. RHS direction indicator	Green
5. RHS rear position lamp	Brown
6. Stop lamps	Red
7. LHS rear position lamp	Black



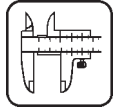
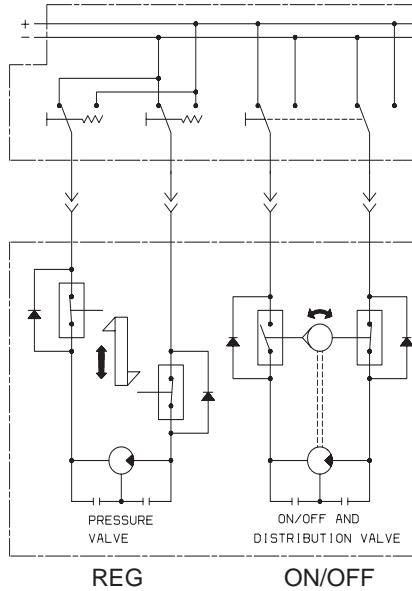
BK/EC



REG		ON/OFF	
BR	BL	BL	BR
BK	G	BR	BL
1	2	3	4

BL = Blue
 BR = Brown
 G = Gray
 BK = Black

BK/EC



EC

	Number of distribution valves		
	2 / 3 / 4	5 / 6	7
Valve	Wire number or colour code		
V1	1-2	1-2	1-11
V2	3-4	3-4	2-12
V3	5-6	5-6	3-13
V4	7-8	7-8	4-14
V5		9-10	5-15
V6		11-12	6-16
V7			7-17
REG	9-10	13-14	9-10
ON/OFF	11-G/Y	15-G/Y	8-G/Y

G/Y = green/yellow



Materials and recycling

Tank: HDPE
 Hoses: PVC
 Valves: Mainly glass-filled PA.
 Fittings: PA

Disposal of the sprayer

When the equipment has completed its working life, it must be thoroughly cleaned. The tank, hose and synthetic fittings can be incinerated at an authorized disposal plant. The metallic parts can be scrapped. Always follow local legislation regarding disposal.



Pictorial symbols



Description



Service/adjustment



Winter storage



Function



Liquid flow



Operational problems



Connection



Pressure



Technical specifications



Warning



Cleaning



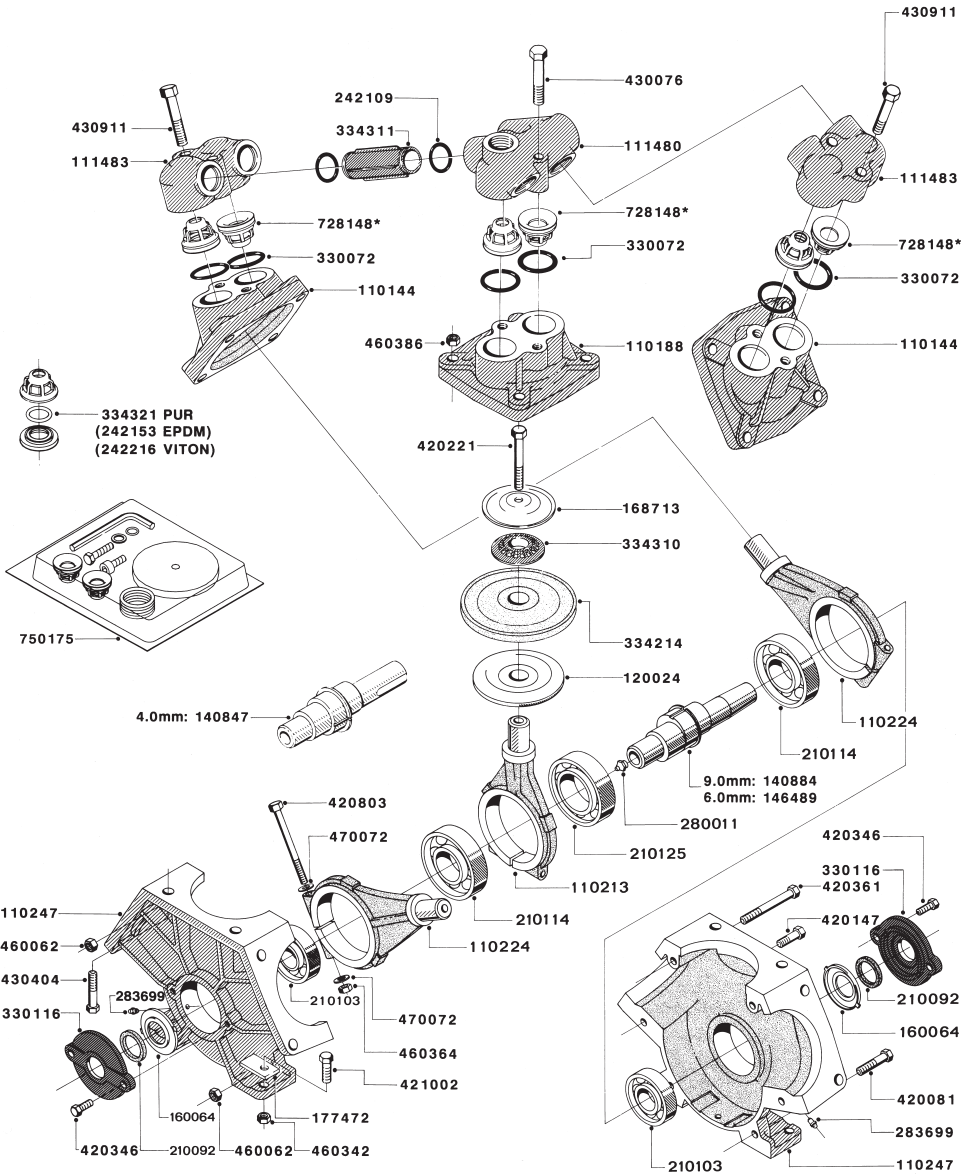
EC Declaration of Conformity



Operating

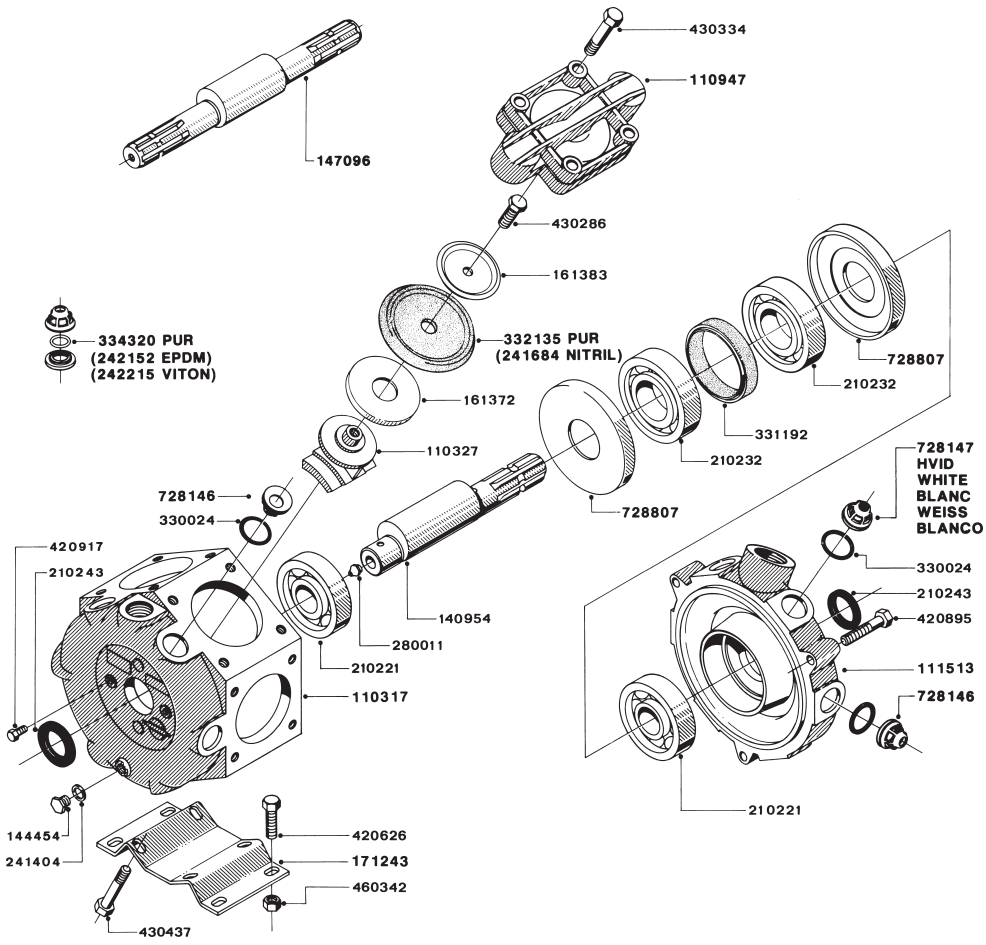


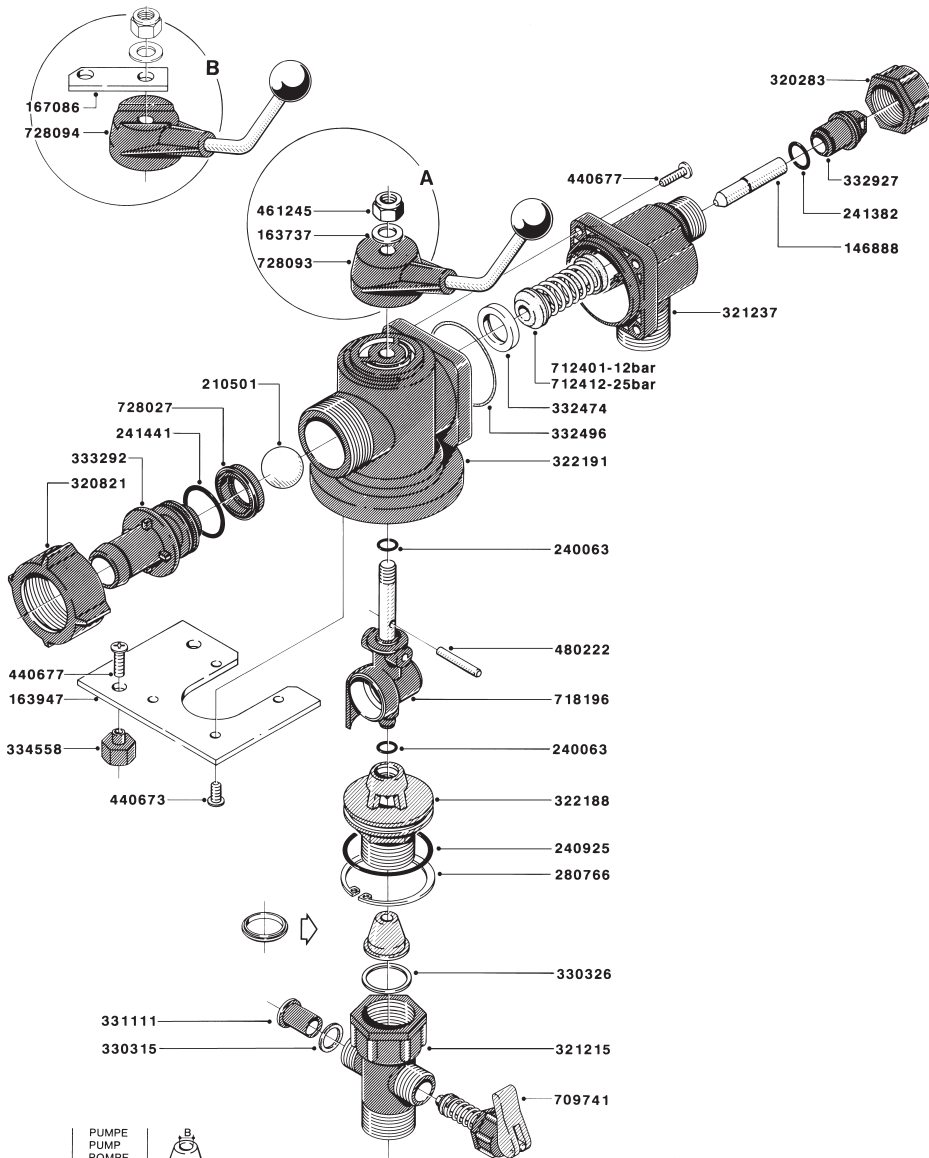
Lubrication



1303/foot

A12

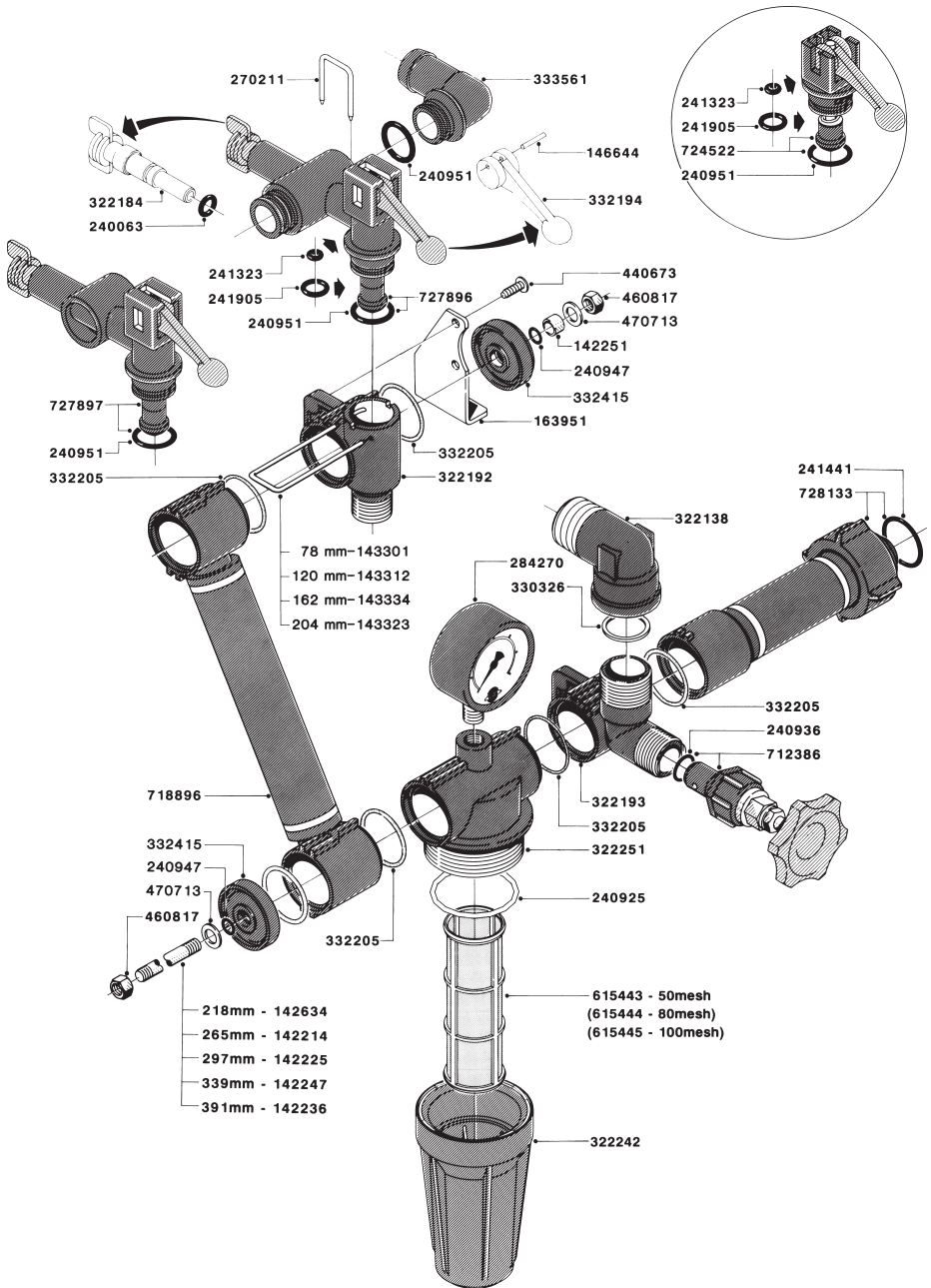




PUMPE PUMP POMPE PUMPE BOMBA	B	B mm	FARVE	COLOUR	COULEUR	FARBE	COLOR	
600	333314	5,2	BLA	BLUE	BLEU	BLAU	AZUL	
1202	333325	7,3	ROD	RED	ROUGE	ROT	ROJO	
1302	333336	10,0	HVID	WHITE	BLANC	WEISS	BLANCO	
361 HT	333347	9,6	ORANGE	ORANGE	ORANGE	ORANGE	ANARANJADO	
361	333351	12,5	SORT	BLACK	NOIR	SCHWARZ	NEGRO	
320 HT	333362	6	GRON	GREEN	VERT	GRUN	VERDE	
462								145305

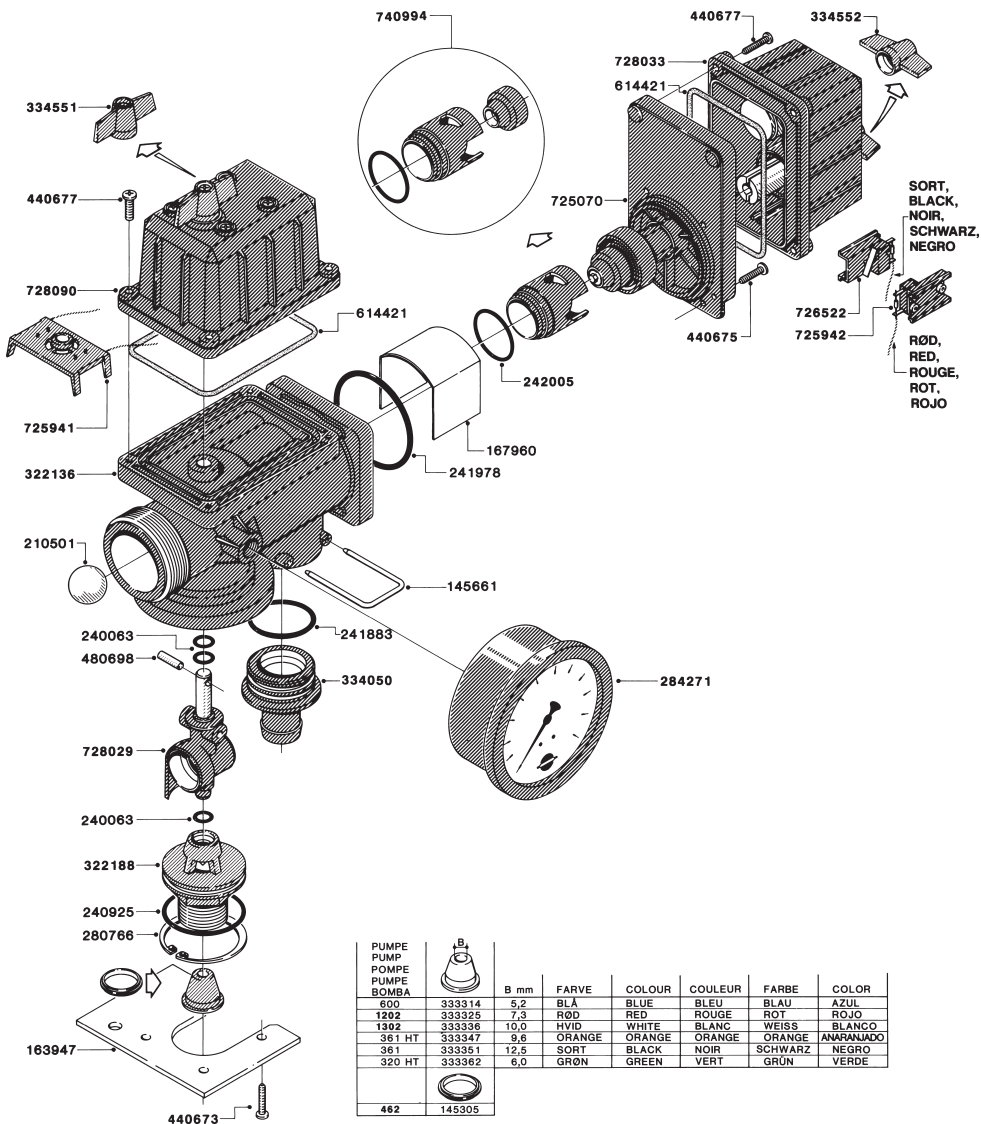
Unit BK180K (92)

B9



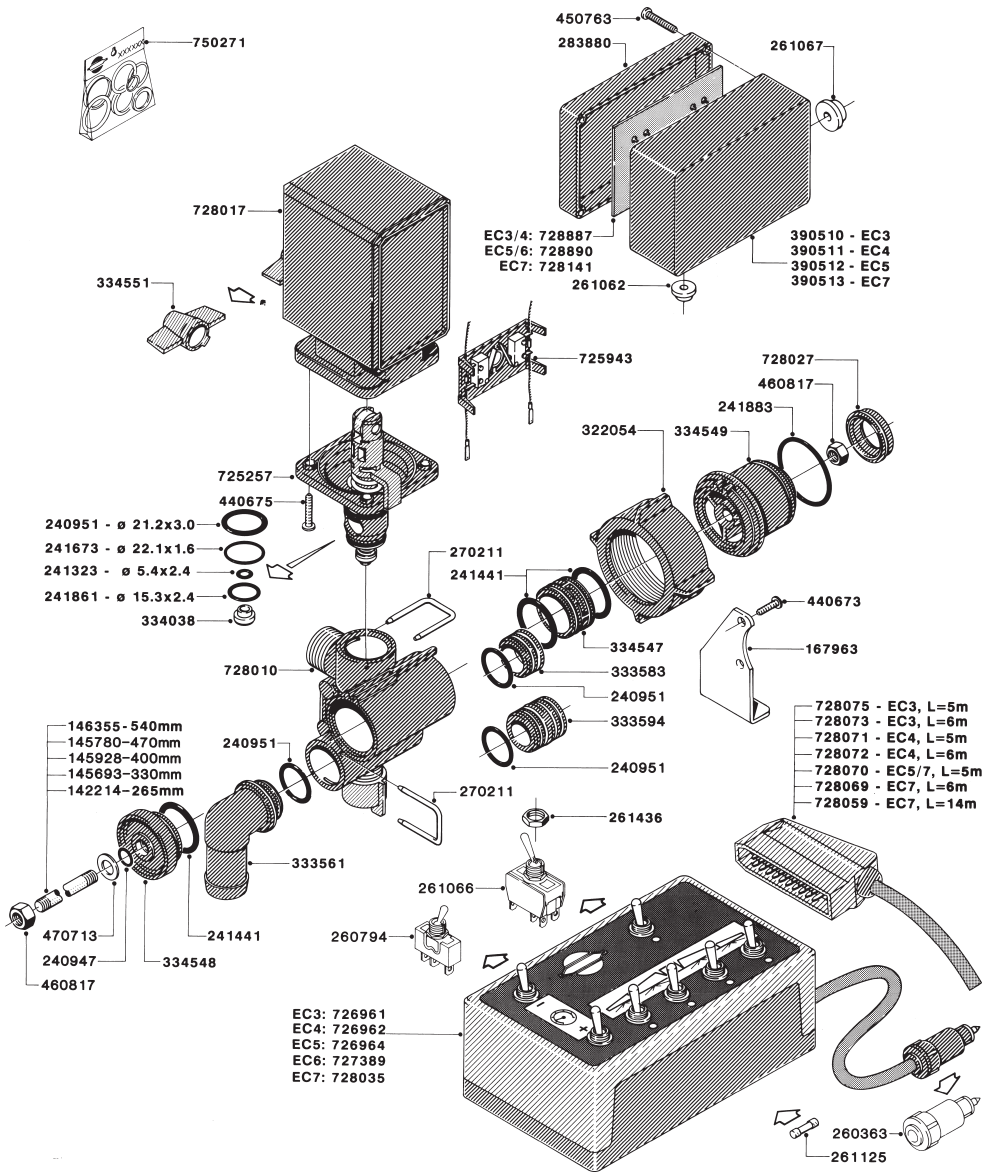
B13

Distributor BK180K (94)



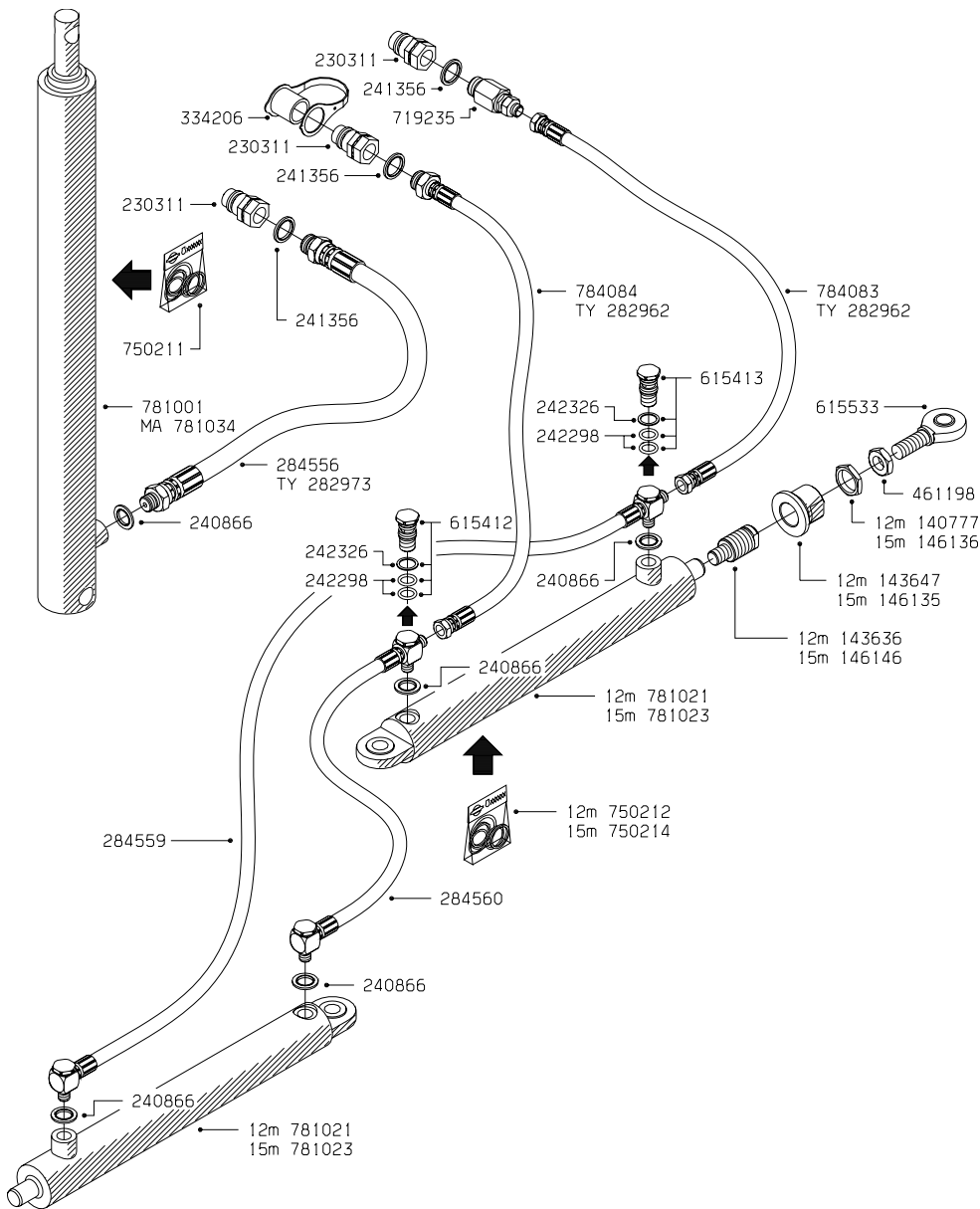
Unit EC (92)

B104



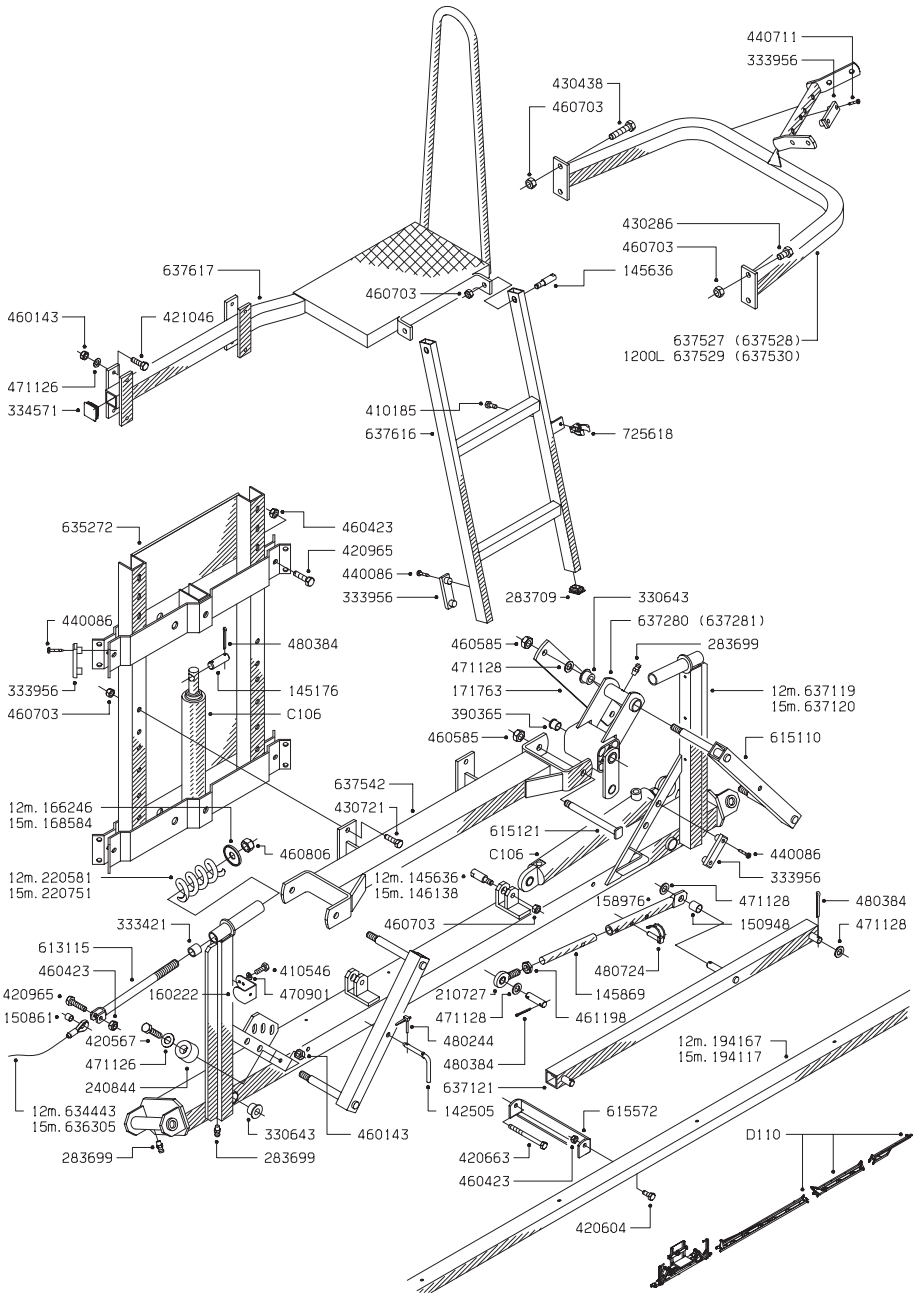
B105

Distributor EC (Green) (92)



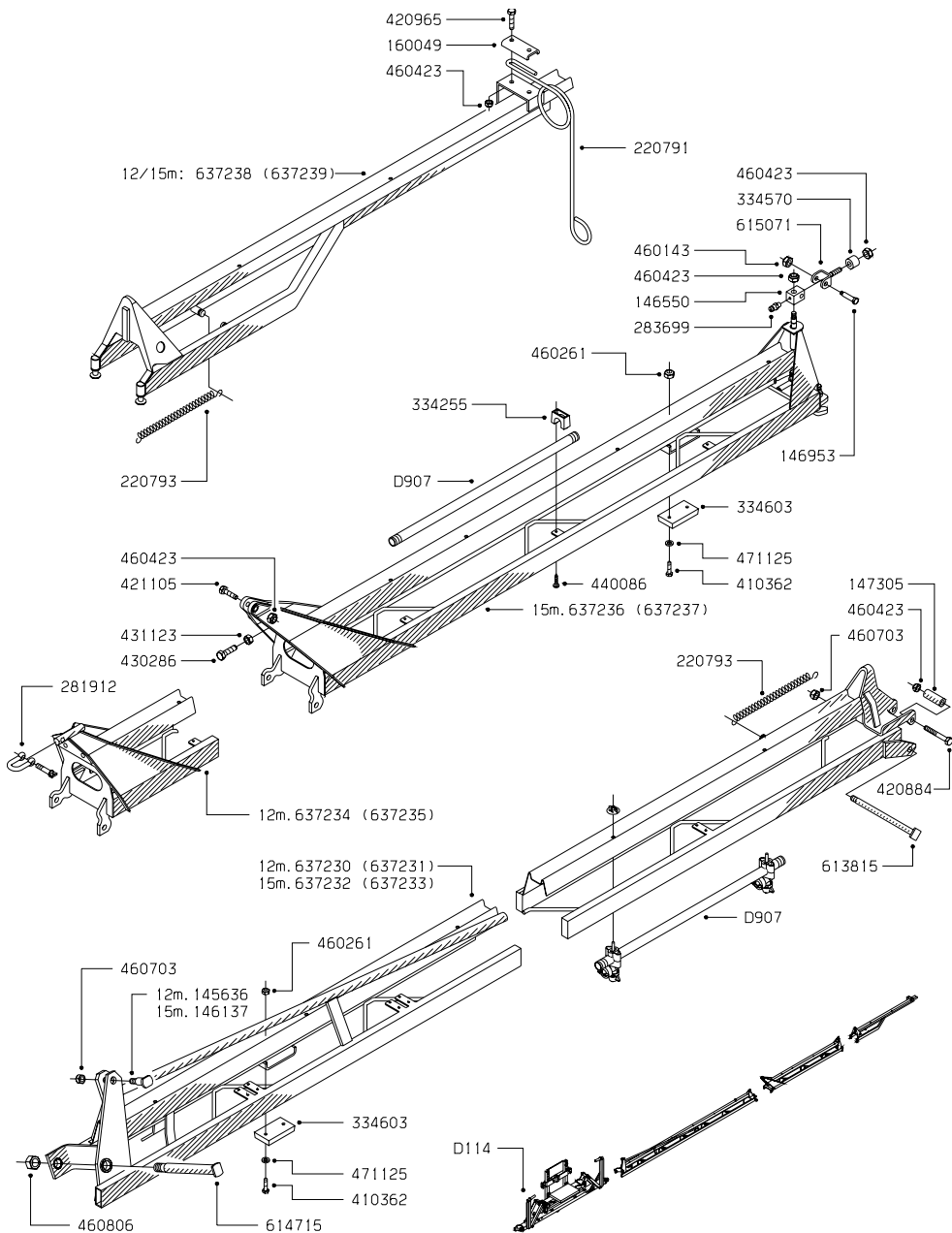
HYB 12/15 m

C106



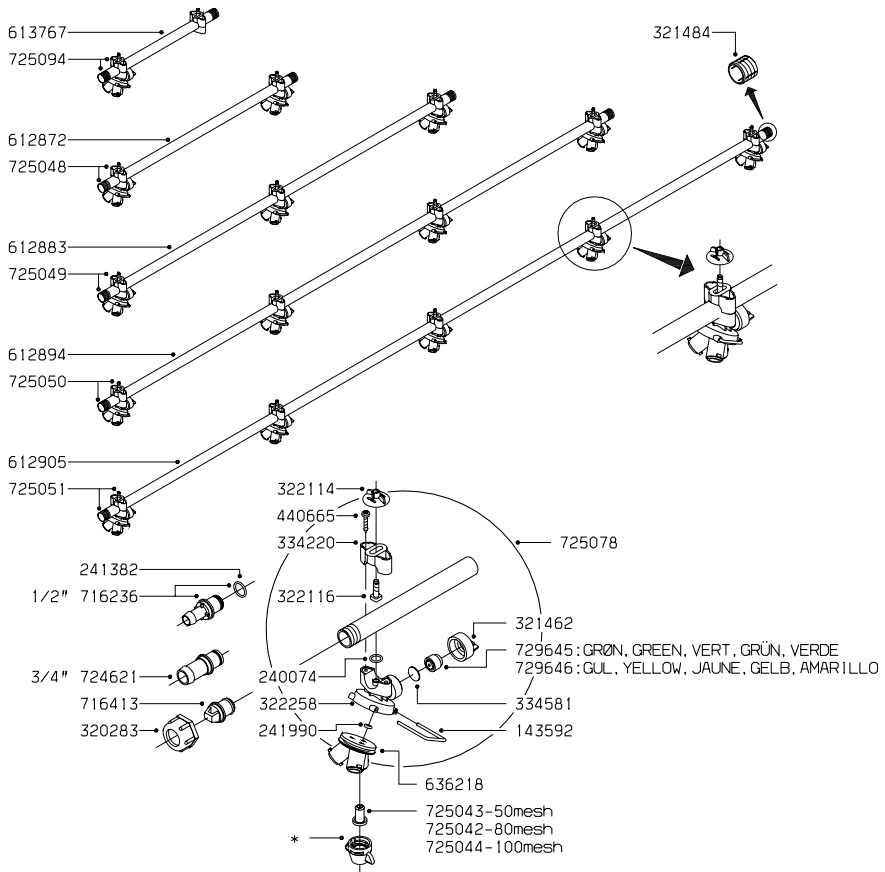
D109

HYB boom lift (95)



HYB 12/15 m (95)

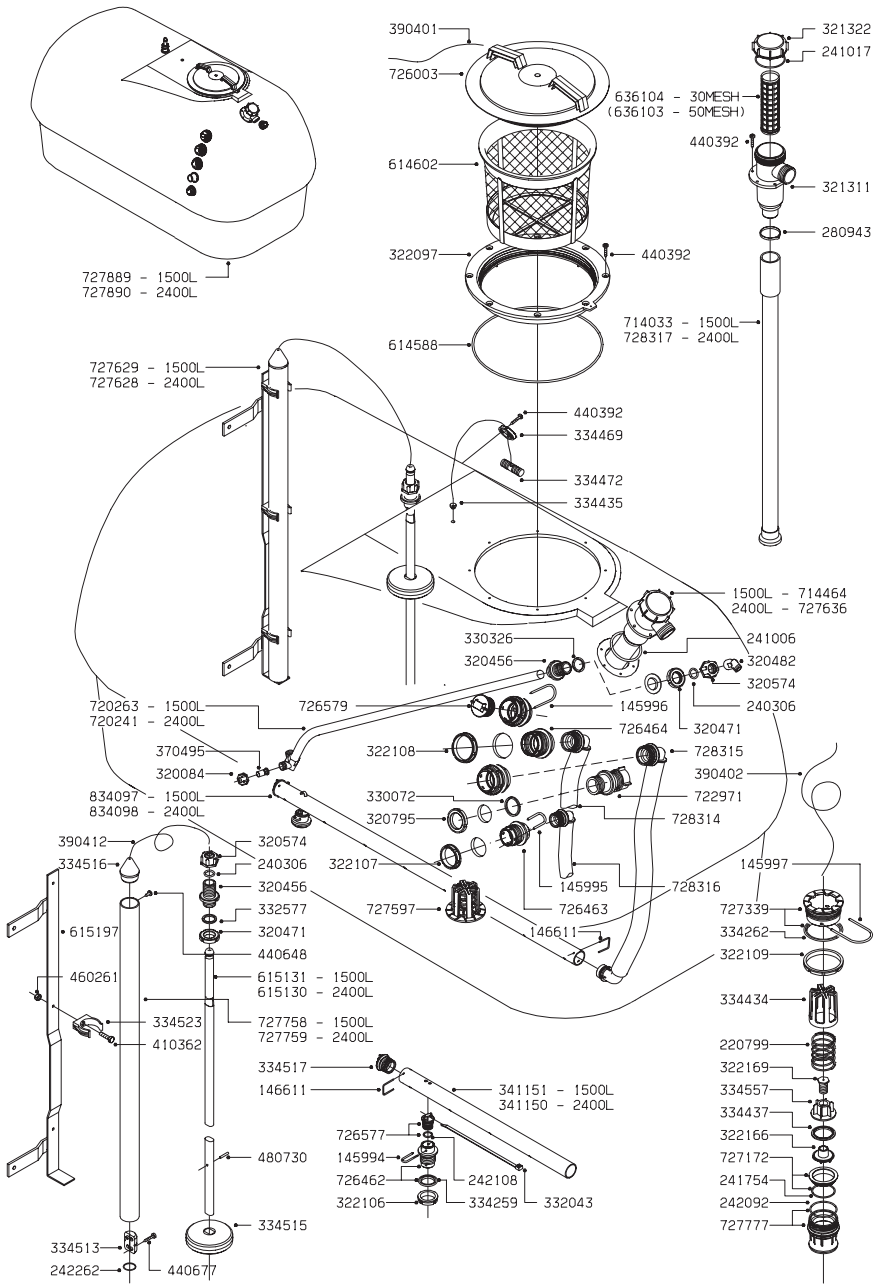
D110



*		FARVE	COLOUR	COULEUR	FARBE	COLOR
371469	S4110-08	VIOLET	VIOLET	VIOLET	VIOLETT	VIOLETA
371470	S4110-10	BRUN	BROWN	BRUN	BRAUN	MARRON
371471	S4110-12	GUL	YELLOW	JAUNE	GELB	AMARILLO
371472	S4110-14	ORANGE	ORANGE	ORANGE	ORANGE	ANARANJADO
371473	S4110-16	RØD	RED	ROUGE	ROT	ROJO
371474	S4110-18	HVID	WHITE	BLANC	WEISS	BLANCO
371475	S4110-20	GRØN	GREEN	VERT	GRÜN	VERDE
371476	S4110-24	TURKIS	TURQUOISE BLUE	BLEU TURQUOISE	TÜRKIS	AZUL TURQUO
371477	S4110-30	BLÅ	BLUE	BLEU	BLAU	AZUL
371478	S4110-36	GRÅ	GREY	GRIS	GRAU	GRIS
371479	S4110-44	ELFENBEN	IVORY	IVOIRE	ELFENBEIN	MARFIL

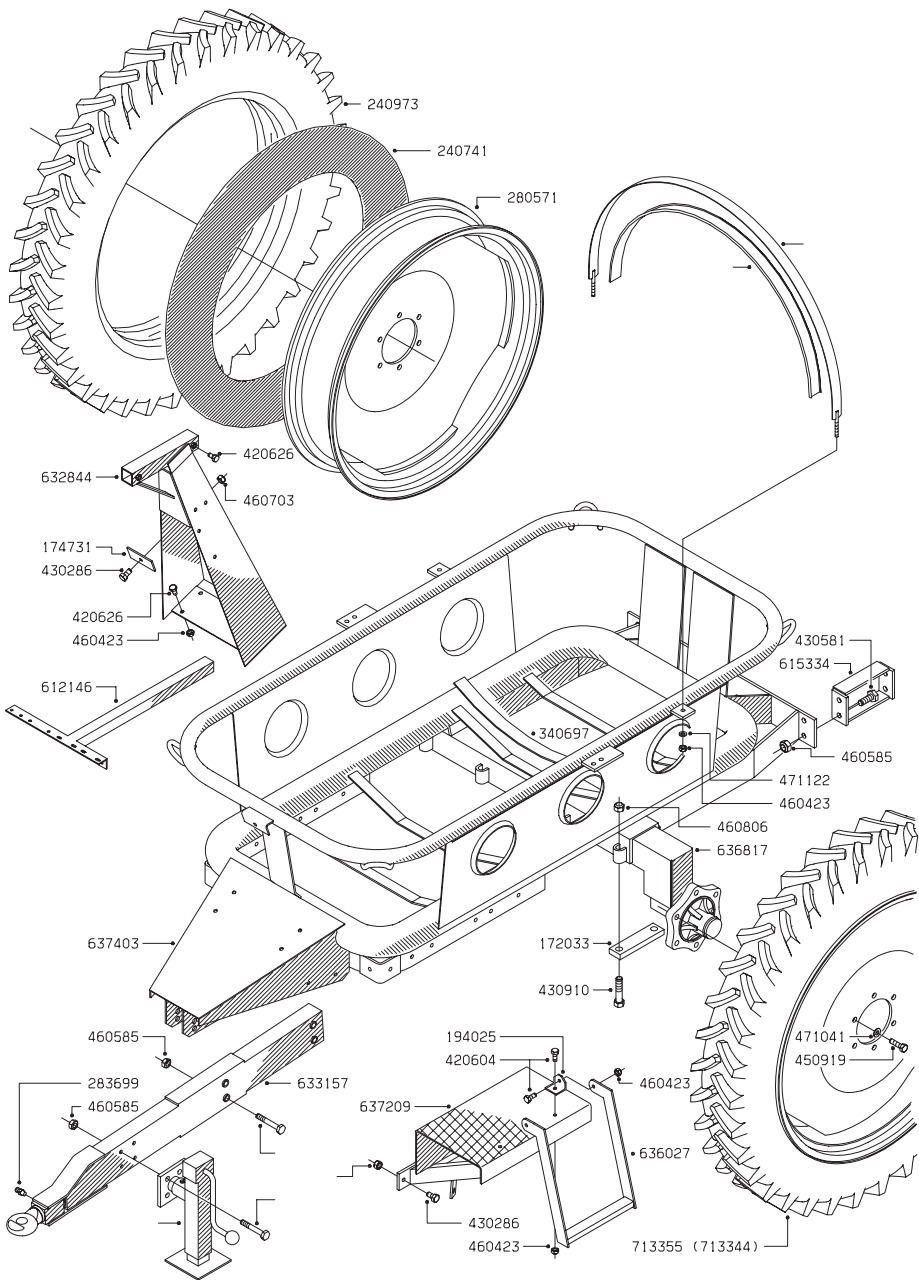
D904

Boom tube TRIPLET SNAP-FIT



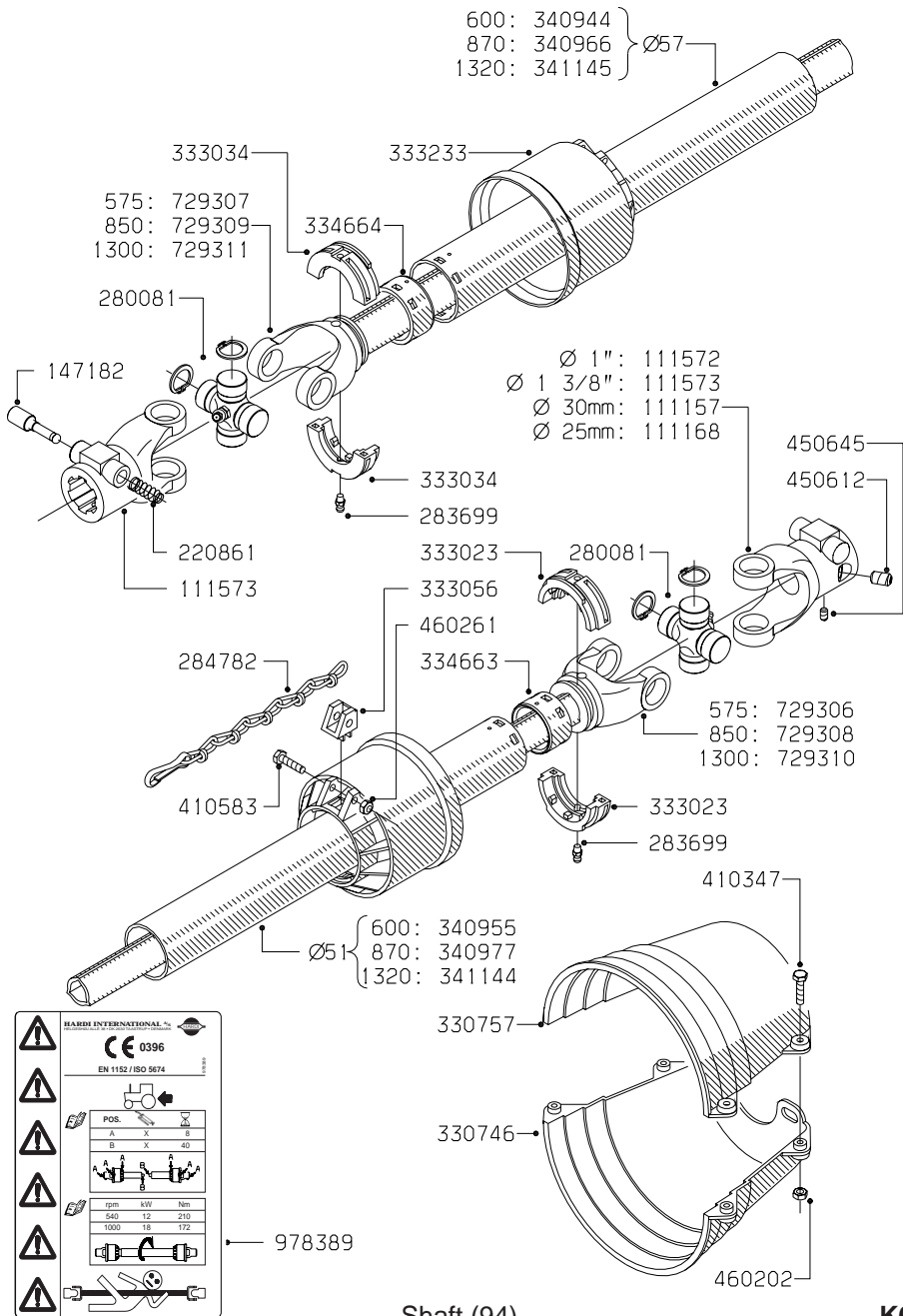
TY/TZ/TA 1500/2400 (92)

E204



E312

TX-SPA 1500/2400



Shaft (94)

K604

