



Agroparts: www.HARDI-INTERNATIONAL.com

HC650/650M/950/950M 650
Gallon MB 42', 45', 50'

Country-Code 11

Date 12.08.2020 9:25

**HC650/HC650M
MB 42', 45', 50'**



| main group | page-n° | date | description | |
|------------------------------|--------------------------------|-----------------------------|--------------------------------|--------------------------------|
| Pumps | A0150-HIN | 27:04:17 | PUMP - 1200 W/ MOUNTING BASE | |
| | A0160-HIN | 01:01:16 | PUMP - 1202 W/MOUNTING BASE | |
| | A0170-HIN | 01:01:16 | PUMP - 1203 W/MOUNTING BASE | |
| | A0200-HIN | 01:01:16 | PUMP - 1200/1202/1203 FITTINGS | |
| | A0210-HIN | 27:04:17 | PUMP - 1301 W/ MOUNTING BASE | |
| | A0220-HIN | 27:04:17 | PUMP - 1302 W/ MOUNTING BASE | |
| | A0230-HIN | 01:01:16 | PUMP - 1303 W/ MOUNTING BASE | |
| | A0240-HIN | 01:01:16 | PUMP - 1301/1302 FITTINGS | |
| | A0510-HIN | 23:10:18 | PTO SHAFTS - BONDIOLI DIAPH. | |
| | A0520-HIN | 23:10:18 | PTO SHAFTS - BONDIOLI CENT. | |
| | A0580-HIN | 01:01:16 | PTO SHAFTS - AMA DIAPHRAGM | |
| | Controls, Filters, Valves | B0260-HIN | 05:10:17 | EC MASTER VALVE-ELEC.(RED GRP) |
| | | B0270-HIN | 05:10:17 | EC MASTER VALVE-ELEC.(GRN GRP) |
| B0290-HIN | | 01:01:16 | EC BOOM VALVE - ELEC.(RED GRP) | |
| B0300-HIN | | 01:01:16 | EC BOOM VALVE-ELEC.(GRN GRIP) | |
| B0390-HIN | | 01:01:16 | CONTROL BOX F/EC+EC-SC | |
| B0400-HIN | | 01:01:16 | CONTROL BOX F/EC + ECSC POST96 | |
| B0410-HIN | | 01:01:16 | 12 VOLT OUTLET BOX | |
| B0420-HIN | | 01:01:16 | MANIFOLD SYSTEM - PRESSURE | |
| B0430-HIN | | 12:09:19 | MANIFOLD - S67 VALVE | |
| B0520-HIN | | 01:01:16 | MANIFOLD SYSTEM - SUCTION | |
| B0530-HIN | | 28:01:19 | MANIFOLD - S93 VALVE | |
| B0580-HIN | | 01:01:16 | PRESSURE RELIEF VALVE | |
| B0650-HIN | | 01:01:16 | SELF CLEANING FILTER-SCREW TOP | |
| B0660-HIN | | 01:01:16 | TOP SUCTION ASSEMBLY-SCREW CAP | |
| B0670-HIN | 01:01:16 | TOP SUCTION ASSEMBLY-S93 2" | | |
| Hydraulics | C0010-HIN | 01:01:16 | HYDRAULICS - CYLINDERS | |
| | C0030-HIN | 01:01:16 | HYDRAULICS - FAROIL CYLINDERS | |
| | C0045-HIN | 24:03:16 | HYDRAULICS - BSP TO ORFS | |
| | C0060-HIN | 23:03:16 | HYDRAULICS-MB BOOM LIFT CYLNDR | |
| | C0070-HIN | 08:01:18 | HYDRAULICS-MB BOOM WING TILT | |
| Booms, Nozzle Bodies & Tubes | D0130-HIN | 26:07:16 | BOOM - MB 35' 40' 42' | |
| | D0140-HIN | 26:07:16 | BOOM - MB 45' 50' | |
| | D0150-HIN | 01:01:16 | BOOM - MB H-FRAME ML-TRAILER | |
| | D0160-HIN | 01:01:16 | BOOM-MB H-FRM 35'42' WL SKD MT | |
| | D0170-HIN | 01:01:16 | BOOM-MB H-FRM 45' 50' WL TRLR | |
| | D0180-HIN | 31:03:16 | BOOM - MB H-FRAME HL | |
| | D0210-HIN | 01:01:16 | BOOM - MB AIR SUSPSN (HL ONLY) | |
| | D1000-HIN | 01:01:16 | BOOM-NOZZLES 110° FLAT FAN ISO | |
| | D1010-HIN | 01:01:16 | BOOM-NOZZLES 110° LOWDRIFT ISO | |
| | D1020-HIN | 01:01:16 | BOOM-NOZZLES 80° FLAT FAN ISO | |
| | D1030-HIN | 28:11:17 | BOOM-NOZZLE CAPS AND FILTERS | |
| | D1040-HIN | 01:01:16 | BOOM-NOZZLES INJET | |
| | D1050-HIN | 01:01:16 | BOOM-NOZZLES MINIDRIFT | |
| | D1060-HIN | 01:01:16 | BOOM-NOZZLES QUINTASTREAM | |
| | D1090-HIN | 01:01:16 | NOZZLE BODIES-SNAP FIT | |
| | D1100-HIN | 01:01:16 | DOUBLE NOZZLE HOLDER-SNAP FIT | |
| | D1110-HIN | 08:04:19 | NOZZLE TUBES & HOLDER-PLASTIC | |
| | Tank and Frame: Field Sprayers | E0400-HIN | 01:01:16 | TANK HC650M 650 TWIN (POST 95) |
| | | E0410-HIN | 01:01:16 | FRAME HC 650M/TWIN 650 POST 94 |
| E0740-HIN | | 09:10:19 | HUB ASSEMBLY F.2 3/4" SPINDLE | |
| Special equipment, Extras | K0050-HIN | 01:01:16 | CHEM.FILLER-MOUNTING BRACKETS | |

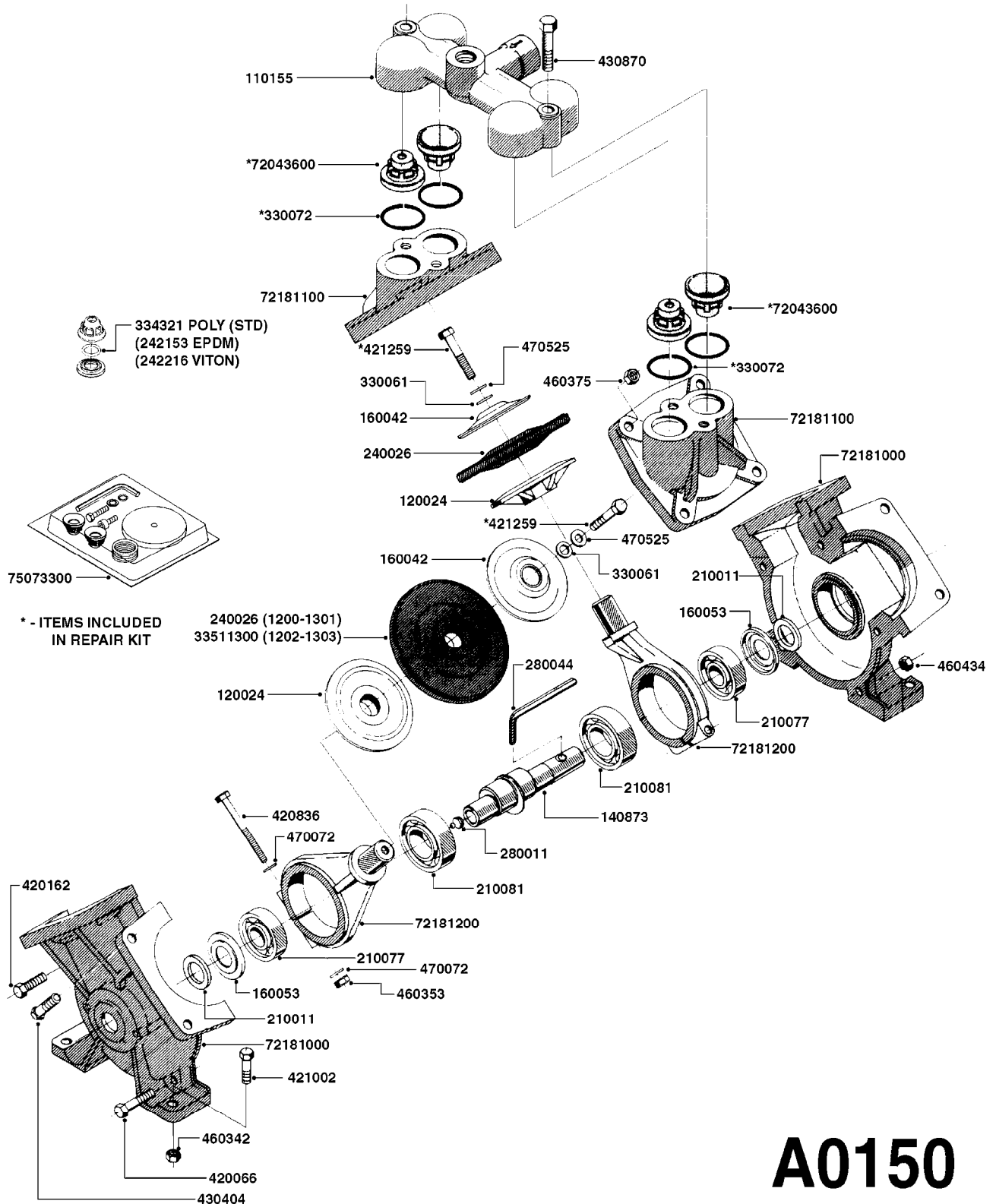


HC650/650M/950/950M 650
Gallon MB 42',45',50'

Page 0.2

Date 12.08.2020 9:25

| main group | page-n° | date | description | |
|------------|----------------------|-----------|--------------------------------|---------------------------------|
| Fittings | K0070-HIN | 01:01:16 | CHEM.FILLER-PLUMBING-STANDARD | |
| | K0080-HIN | 15:07:16 | CHEM.FILLER-STANDARD-PLUMBING | |
| | K0090-HIN | 01:01:16 | CHEMICAL FILLER-HOPPER(PRE95) | |
| | K0100-HIN | 01:01:16 | CHEMICAL FILLER-HOPPER(POST95) | |
| | K0130-HIN | 01:01:16 | CLEAN WATER TANK | |
| | K0180-HIN | 01:01:16 | DRAIN ASSEMBLY-PULL CORD TYPE | |
| | K0230-HIN | 01:01:16 | END NOZZLE KIT | |
| | K0250-HIN | 01:01:16 | ELECTRIC END NOZZLE KIT '09 | |
| | K0260-HIN | 01:01:16 | ELECTRIC END NOZZLE KIT '12 | |
| | K0380-HIN | 17:03:16 | FOAM MARKER COMPRESSOR POST 94 | |
| | K0390-HIN | 01:01:16 | FOAM MARKER COMPRESSOR 2002 | |
| | K0400-HIN | 01:01:16 | FOAM MARKER COMPRESSOR 2007 | |
| | K0430-HIN | 05:12:19 | FOAMMARKER TANK/DROPPER 2000 | |
| | K0480-HIN | 01:01:16 | HANDGUN TYPE 60S/60L POST 95 | |
| | K0520-HIN | 05:12:19 | HOSE WRAPS | |
| | K0560-HIN | 01:01:16 | PRESSURE GAUGES | |
| | K0580-HIN | 01:01:16 | QUICKFILL-PLMBNG SYS-TRLR SPYR | |
| | K0590-HIN | 01:01:16 | QUICKFILL-UPDATE 97-TRAILER | |
| | K0600-HIN | 01:01:16 | QUICKFILL-VALVES-2" | |
| | K0670-HIN | 01:01:16 | REMOTE GAUGE-BK 180 & EC | |
| | K0690-HIN | 01:01:16 | REMOTE GAUGE-MAGNETIC BASE KIT | |
| | K0730-HIN | 01:01:16 | RINSE SYSTEM NOZZLES | |
| | K0750-HIN | 01:01:16 | RINSE SYSTEM PLUMBING | |
| | Electrical Equipment | L0010-HIN | 01:01:16 | FITTINGS-CAP NUTS & HOSE BARBS |
| | | L0020-HIN | 01:01:16 | FITTINGS-T-PIECES,CAPS & ELBOWS |
| | | L0030-HIN | 01:01:16 | FITTINGS - HEXAGON NIPPLES |
| | | L0040-HIN | 01:01:16 | FITTINGS - NIPPLES & ELBOWS |
| L0050-HIN | | 01:01:16 | FITTINGS - HOSE CONNECTORS | |
| L0060-HIN | | 01:01:16 | FITTINGS - BULKHEAD | |
| L0070-HIN | | 13:09:17 | FITTINGS - S-40 | |
| L0080-HIN | | 12:09:17 | FITTINGS - S-53 | |
| L0090-HIN | | 01:01:16 | FITTINGS - S-56 & S-61 | |
| L0100-HIN | | 21:06:18 | FITTINGS - S-67 | |
| L0110-HIN | | 13:09:17 | FITTINGS - S-93 | |
| L0120-HIN | | 17:10:19 | BULK HOSE | |
| L0130-HIN | | 16:10:19 | HOSE CLAMPS | |
| | M0030-HIN | 01:01:16 | CFX-750 DISPLAY, DGPS | |
| | M0040-HIN | 01:01:16 | EZ-GUIDE PLUS LIGHT BAR | |
| | M0050-HIN | 01:01:16 | EZ-STEER STEERING SYSTEM | |
| | M0060-HIN | 01:01:16 | EZ-GUIDE 500 LIGHTBAR | |
| | M0070-HIN | 01:01:16 | EZ-STEER 500 STEERING SYSTEM | |
| | M0080-HIN | 01:01:16 | EZ-GUIDE 250 LIGHTBAR | |
| | M0090-HIN | 01:01:16 | HC 2500/HM1500 DISPLAY/SCANBOX | |
| | M0100-HIN | 01:01:16 | MUSTANG 3500 CONTROLLER | |
| | M0120-HIN | 01:01:16 | TRANSDUCERS AND ACCESSORIES | |



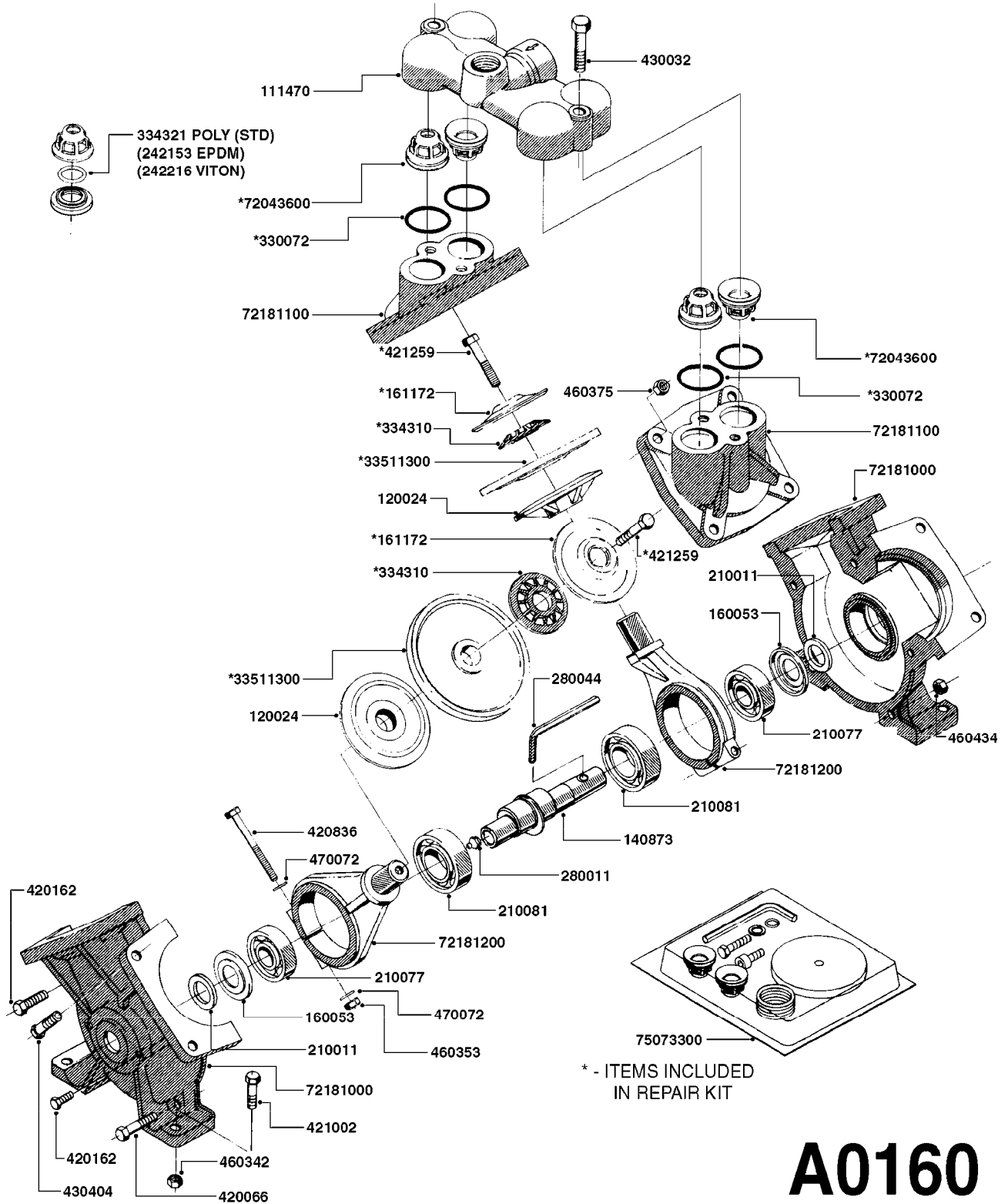


PUMP - 1200 W/ MOUNTING BASE
A0150-HIN, 27:04:17

Page 1

Date 12.08.2020 9:25

| parts-n° | order qty | description |
|----------|-----------|-----------------------------------|
| 110155 | 1 | VALVE CHAMBER F. 1200 PUMP |
| 120024 | 1 | DIAPHRAGM BACK DISC 1200-1300 |
| 140873 | 1 | CRANK SHAFT MODEL 1202-9MM |
| 160042 | 1 | DIAPHRAGM UPPER DISC 1200-1300 |
| 160053 | 1 | DUST PLATE |
| 210011 | 1 | SEAL FELT D39/23 X 4 |
| 210077 | 1 | BEARING BALL 6305 |
| 210081 | 1 | BEARING BALL 6307 |
| 240026 | 1 | DIAPHRAGM MODEL 1200/1301 |
| 242153 | 1 | O-RING D26X4 EPDM |
| 242216 | 1 | O-RING VITON F/1202/1302/462 |
| 280011 | 1 | GREASE NIPPLE 1/8' SAE H TR |
| 280044 | 1 | KEY HEXAGON W6 3/16' |
| 330061 | 1 | O-RING D16/D11X2,5 |
| 330072 | 1 | O-RING D53.5/D45.5X4 |
| 334321 | 1 | O-RING POLY. 34.0x26.0x4.0 |
| 420066 | 1 | BOLT HEX 8.8 DEL 3/8"X50MM |
| 420162 | 1 | BOLT HEX 8.8 DEL 3/8"x15MM |
| 420836 | 1 | BOLT HEX 8.8 RAW M8X85 |
| 421002 | 1 | BOLT HEX 8.8 DEL M10X30 FT DIN933 |
| 421259 | 1 | BOLT HEX UNC7/16"x2.25" 18-8SS |
| 430404 | 1 | BOLT HEX 8.8 DEL M12X50 |
| 430870 | 1 | BOLT HEX 8.8 DEL M12X55 FT |
| 460342 | 1 | NUT HEX M10 DEL DIN934 |
| 460353 | 1 | NUT HEX M8 BLACK |
| 460375 | 1 | NUT HEX M12 BLACK |
| 460434 | 1 | NUT HEX 3/8' NC BLACK |
| 470072 | 1 | WASHER D15/D8X.5 LOCK |
| 470525 | 1 | WASHER D19/D11.5X2.5 |
| 33511300 | 1 | DIAPHRAGM 1202-1303 POLY 2006 |
| 72043600 | 1 | VALVE FOR 462/463 |
| 72181000 | 1 | HOUSING, PUMP, 1203 RED |
| 72181100 | 1 | DIAPHRAGM COVER 1203/1303+BLTS |
| 72181200 | 1 | CONNECTING ROD FOR 1203 W/M12 |
| 75073300 | 1 | PUMP KIT 1200/1202 "06" |



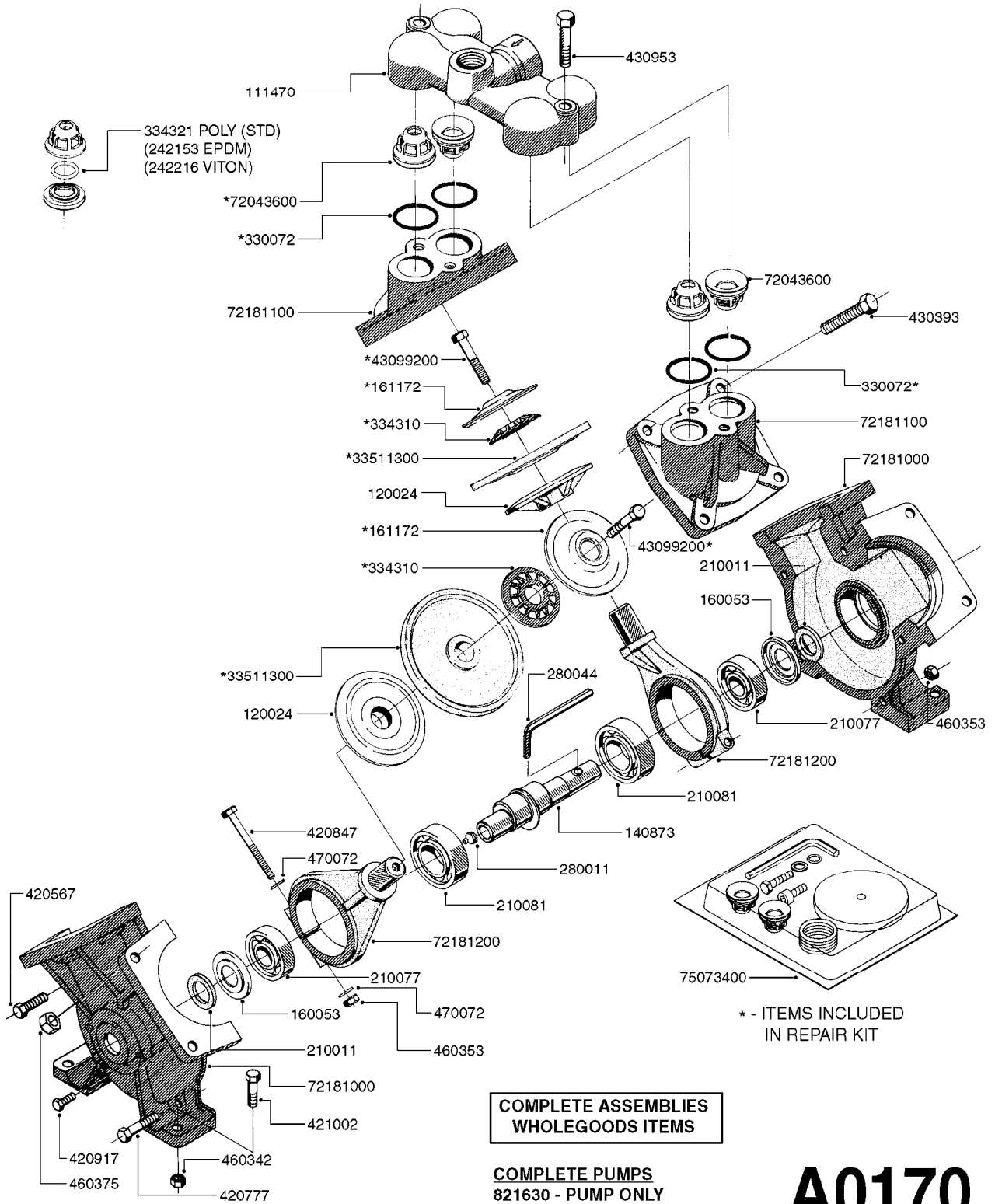
A0160



PUMP - 1202 W/MOUNTING BASE
A0160-HIN, 01:01:16

Page 1
Date 12.08.2020 9:25

| parts-n° | order qty | description |
|----------|-----------|-----------------------------------|
| 111470 | 1 | VALVE CHAMBER 1202 |
| 120024 | 1 | DIAPHRAGM BACK DISC 1200-1300 |
| 140873 | 1 | CRANK SHAFT MODEL 1202-9MM |
| 160053 | 1 | DUST PLATE |
| 161172 | 1 | DIAPHRAGM DISC F. 1203/1303 |
| 210011 | 1 | SEAL FELT D39/23 X 4 |
| 210077 | 1 | BEARING BALL 6305 |
| 210081 | 1 | BEARING BALL 6307 |
| 242153 | 1 | O-RING D26X4 EPDM |
| 242216 | 1 | O-RING VITON F/1202/1302/462 |
| 280011 | 1 | GREASE NIPPLE 1/8' SAE H TR |
| 280044 | 1 | KEY HEXAGON W6 3/16' |
| 330072 | 1 | O-RING D53.5/D45.5X4 |
| 334310 | 1 | NYLON WASHER 1202/1302/462 |
| 334321 | 1 | O-RING POLY. 34.0x26.0x4.0 |
| 420066 | 1 | BOLT HEX 8.8 DEL 3/8"X50MM |
| 420162 | 1 | BOLT HEX 8.8 DEL 3/8"x15MM |
| 420836 | 1 | BOLT HEX 8.8 RAW M8X85 |
| 421002 | 1 | BOLT HEX 8.8 DEL M10X30 FT DIN933 |
| 421259 | 1 | BOLT HEX UNC7/16"x2.25" 18-8SS |
| 430032 | 1 | BOLT HEX 8.8 RAW 1/2'X55MM |
| 430404 | 1 | BOLT HEX 8.8 DEL M12X50 |
| 460342 | 1 | NUT HEX M10 DEL DIN934 |
| 460353 | 1 | NUT HEX M8 BLACK |
| 460375 | 1 | NUT HEX M12 BLACK |
| 460434 | 1 | NUT HEX 3/8' NC BLACK |
| 470072 | 1 | WASHER D15/D8X.5 LOCK |
| 33511300 | 1 | DIAPHRAGM 1202-1303 POLY 2006 |
| 72043600 | 1 | VALVE FOR 462/463 |
| 72181000 | 1 | HOUSING, PUMP, 1203 RED |
| 72181100 | 1 | DIAPHRAGM COVER 1203/1303+BLTS |
| 72181200 | 1 | CONNECTING ROD FOR 1203 W/M12 |
| 75073300 | 1 | PUMP KIT 1200/1202 "06" |



**COMPLETE ASSEMBLIES
WHOLEGOODS ITEMS**

COMPLETE PUMPS
 821630 - PUMP ONLY
 10396003 - WITH PTO & DAMPER

A0170



PUMP - 1203 W/MOUNTING BASE
A0170-HIN, 01:01:16

Page 1

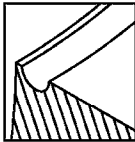
Date 12.08.2020 9:25

| parts-n° | order qty | description |
|----------|-----------|-----------------------------------|
| 111470 | 1 | VALVE CHAMBER 1202 |
| 120024 | 1 | DIAPHRAGM BACK DISC 1200-1300 |
| 140873 | 1 | CRANK SHAFT MODEL 1202-9MM |
| 160053 | 1 | DUST PLATE |
| 161172 | 1 | DIAPHRAGM DISC F. 1203/1303 |
| 210011 | 1 | SEAL FELT D39/23 X 4 |
| 210077 | 1 | BEARING BALL 6305 |
| 210081 | 1 | BEARING BALL 6307 |
| 242153 | 1 | O-RING D26X4 EPDM |
| 242216 | 1 | O-RING VITON F/1202/1302/462 |
| 280011 | 1 | GREASE NIPPLE 1/8" SAE H TR |
| 280044 | 1 | KEY HEXAGON W6 3/16" |
| 330072 | 1 | O-RING D53.5/D45.5X4 |
| 334310 | 1 | NYLON WASHER 1202/1302/462 |
| 334321 | 1 | O-RING POLY. 34.0x26.0x4.0 |
| 420567 | 1 | BOLT HEX 8.8 DEL M8X30 FT |
| 420777 | 1 | BOLT HEX 8.8 RAW M8X50 |
| 420847 | 1 | BOLT HEX 8.8 DEL M8X85 |
| 420917 | 1 | BOLT HEX 8.8 RAW M8X12 FT |
| 421002 | 1 | BOLT HEX 8.8 DEL M10X30 FT DIN933 |
| 430393 | 1 | BOLT HEX 8.8 RAW M12X50 |
| 430953 | 1 | BOLT, M12 X 55 8.8 |
| 460342 | 1 | NUT HEX M10 DEL DIN934 |
| 460353 | 1 | NUT HEX M8 BLACK |
| 460375 | 1 | NUT HEX M12 BLACK |
| 470072 | 1 | WASHER D15/D8X.5 LOCK |
| 821630 | 1 | PUMP 1203/9 540RPM |
| 10396003 | 1 | PUMP 1203 C/W PTO 540 RPM |
| 33511300 | 1 | DIAPHRAGM 1202-1303 POLY 2006 |
| 43099200 | 1 | BOLT HEX SS M12 X 30 DIN933 A4 |
| 72043600 | 1 | VALVE FOR 462/463 |
| 72181000 | 1 | HOUSING, PUMP, 1203 RED |
| 72181100 | 1 | DIAPHRAGM COVER 1203/1303+BLTS |
| 72181200 | 1 | CONNECTING ROD FOR 1203 W/M12 |
| 75073400 | 1 | PUMP KIT 1203 MM "06" |



Housing for Black Diaphragm-

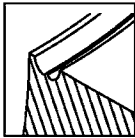
This groove on the lower housing of the Pressure Damper is for the BLACK diaphragm (240122). Never upgrade diaphragms to the YELLOW style unless you also upgrade Pressure Dampers to the housing style shown below.



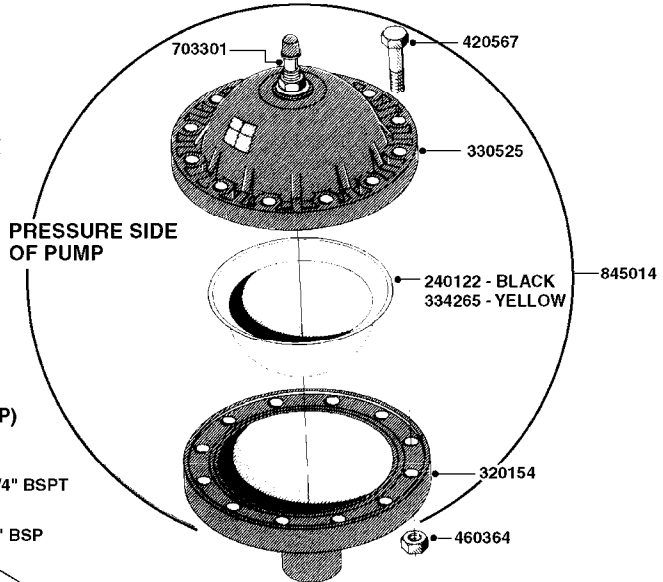
The YELLOW style diaphragm will not seal correctly in this housing.

Housing for Yellow Diaphragm-

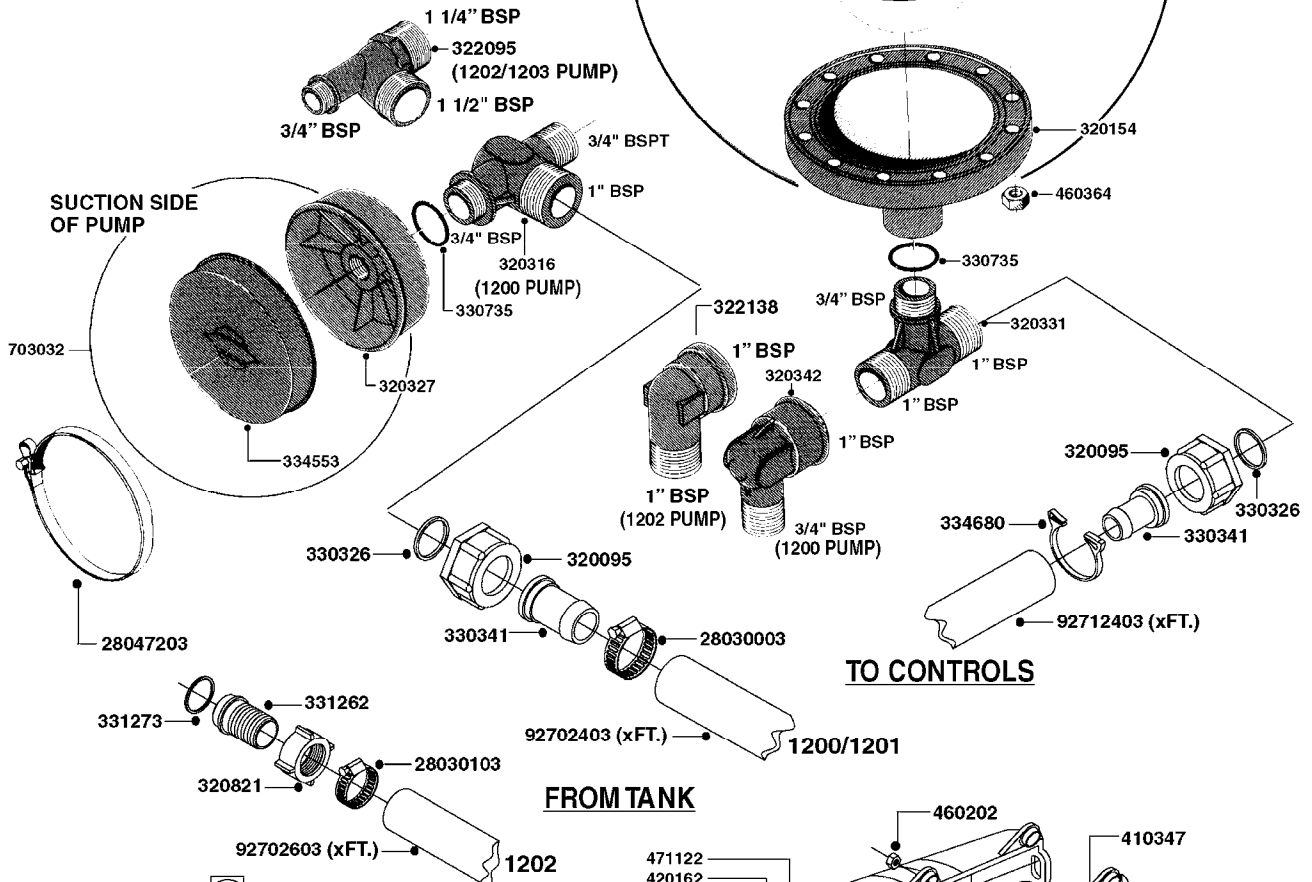
The groove on the lower housing of a the Pressure Damper is recognized by the extra lip on the bottom inside of the groove. For this style Pressure Damper, you need the YELLOW diaphragm (334265).



PRESSURE SIDE OF PUMP



SUCTION SIDE OF PUMP



TO CONTROLS

FROM TANK

#821630 1203 PUMP (REPLACES 1202 PUMP)
#726854 COMPLETE DAMPER KIT (SUCTION & PRESSURE)

COMPLETE ASSEMBLIES
WHOLEGOODS ITEMS

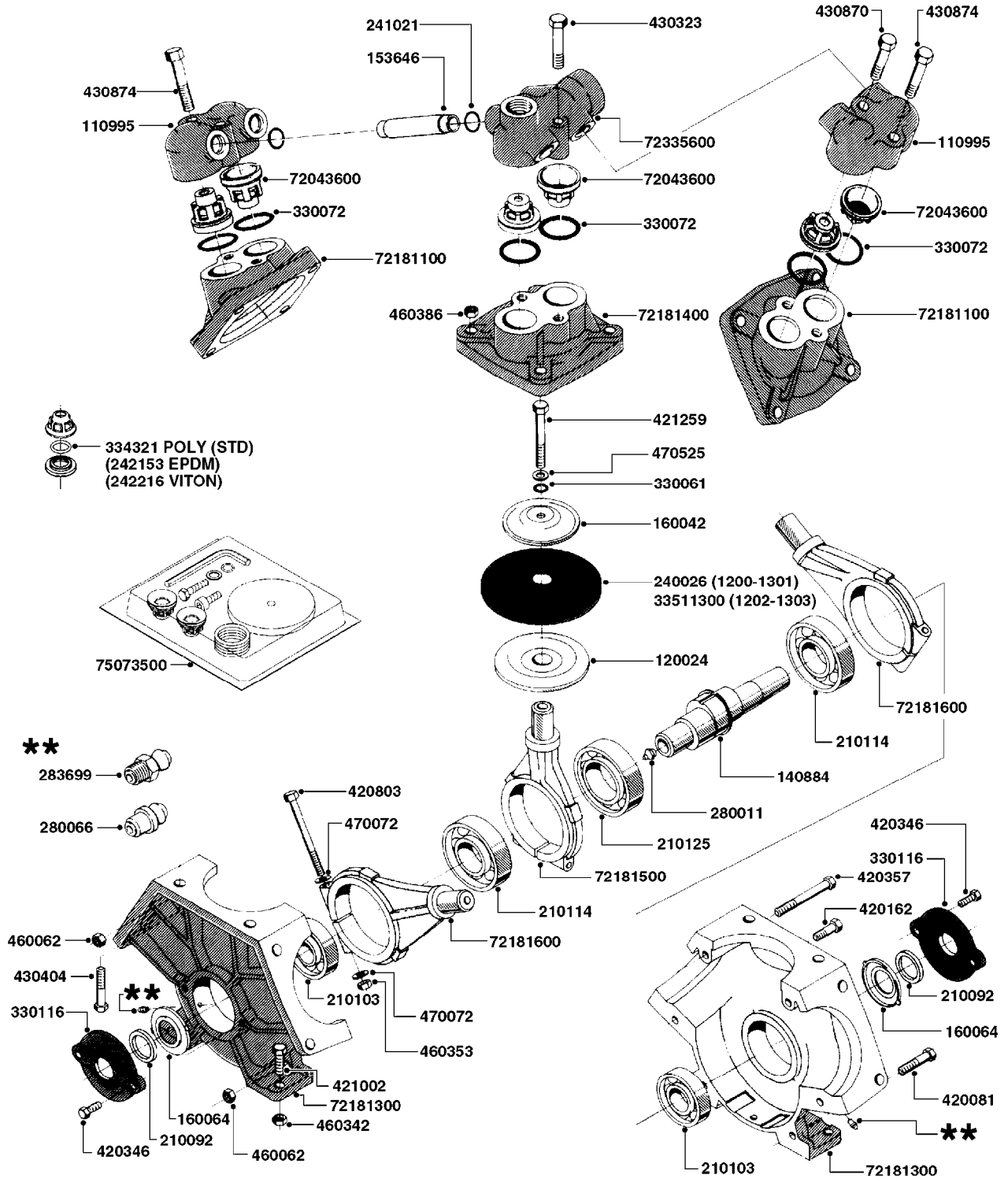
A0200



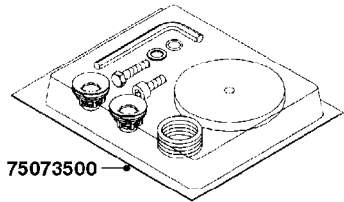
PUMP - 1200/1202/1203 FITTINGS
A0200-HIN, 01:01:16

Page 1
Date 12.08.2020 9:25

| parts-n° | order qty | description |
|----------|-----------|------------------------------------|
| 240122 | 1 | DIAPHRAGM FOR PRES.DAMP.NITRIL |
| 320095 | 1 | FITT.DK NUT 1" BSP |
| 320154 | 1 | AIR BOTTLE, BOTTOM PART |
| 320316 | 1 | FITT.DK TEE 3/4" X3/4" X1"BSP |
| 320327 | 1 | HOUSING F. SUCTION AIR BOTTLE |
| 320331 | 1 | FITT.DK TEE 1" - 1" - 3/4" BSP |
| 320342 | 1 | FITT.DK EL 3/4"M X 1"F BSP |
| 320821 | 1 | FITT.DK NUT 1-1/2" BSP |
| 322095 | 1 | FITT.DK TEE 1-1/2 X1-1/4 X3/4" BSP |
| 322138 | 1 | FITT.DK ELB 1"M X 1"F BSP |
| 330326 | 1 | O-RING D30/D24X2 F.1"NUT |
| 330341 | 1 | FITT.DK HB 1" F. 1" NUT |
| 330525 | 1 | AIR BOTTLE, TOP HALF |
| 330735 | 1 | O-RING D30/D26X2 |
| 330746 | 1 | GUARD PTO LOWER PART |
| 330757 | 1 | GUARD PTO UPPER PART |
| 331262 | 1 | FITT.DK HB 1-1/2" F. 1-1/2"NUT |
| 331273 | 1 | O-RING D44/D38X2 F.1-1/2" |
| 334265 | 1 | DIAPHRAGM F. PRESS DAMP. |
| 334553 | 1 | DIAPHRAGM F.SUCTION AIR BOTTLE |
| 334680 | 1 | CLAMP HOSE PLASTIC 1" |
| 410347 | 1 | SCREW M6X20 8.8 |
| 420162 | 1 | BOLT HEX 8.8 DEL 3/8"x15MM |
| 420567 | 1 | BOLT HEX 8.8 DEL M8X30 FT |
| 460202 | 1 | NUT HEX M6 |
| 460364 | 1 | NUT HU M8 A2 SS DIN934 |
| 471122 | 1 | WASHER, M10, Ø20/10.5X 2.0, SS |
| 703032 | 1 | SUCTION AIR BOTTLE 3/4" COMPL. |
| 703301 | 1 | VALVE FOR AIR BOTTLE |
| 726854 | 1 | DAMPER KIT 1203/1303 |
| 821630 | 1 | PUMP 1203/9 540RPM |
| 845014 | 1 | AIR BOTTLE COMPLETE HJ73 |
| 28030003 | 1 | CLAMP HOSE GEAR P1" 6716 |
| 28030103 | 1 | CLAMP HOSE GEAR P5/4-S1.5"6724 |
| 28047203 | 1 | CLAMP HOSE GEAR 60 X 80 6756 |
| 92702403 | 1 | HOSE PVC SUCT GRAY 1" |
| 92702603 | 1 | HOSE PVC SUCT GRAY 1-1/2" |
| 92712403 | 1 | HOSE R X1" X300PSI WP X0012" |



334321 POLY (STD)
(242153 EPDM)
(242216 VITON)



**
283699
280066

A0210

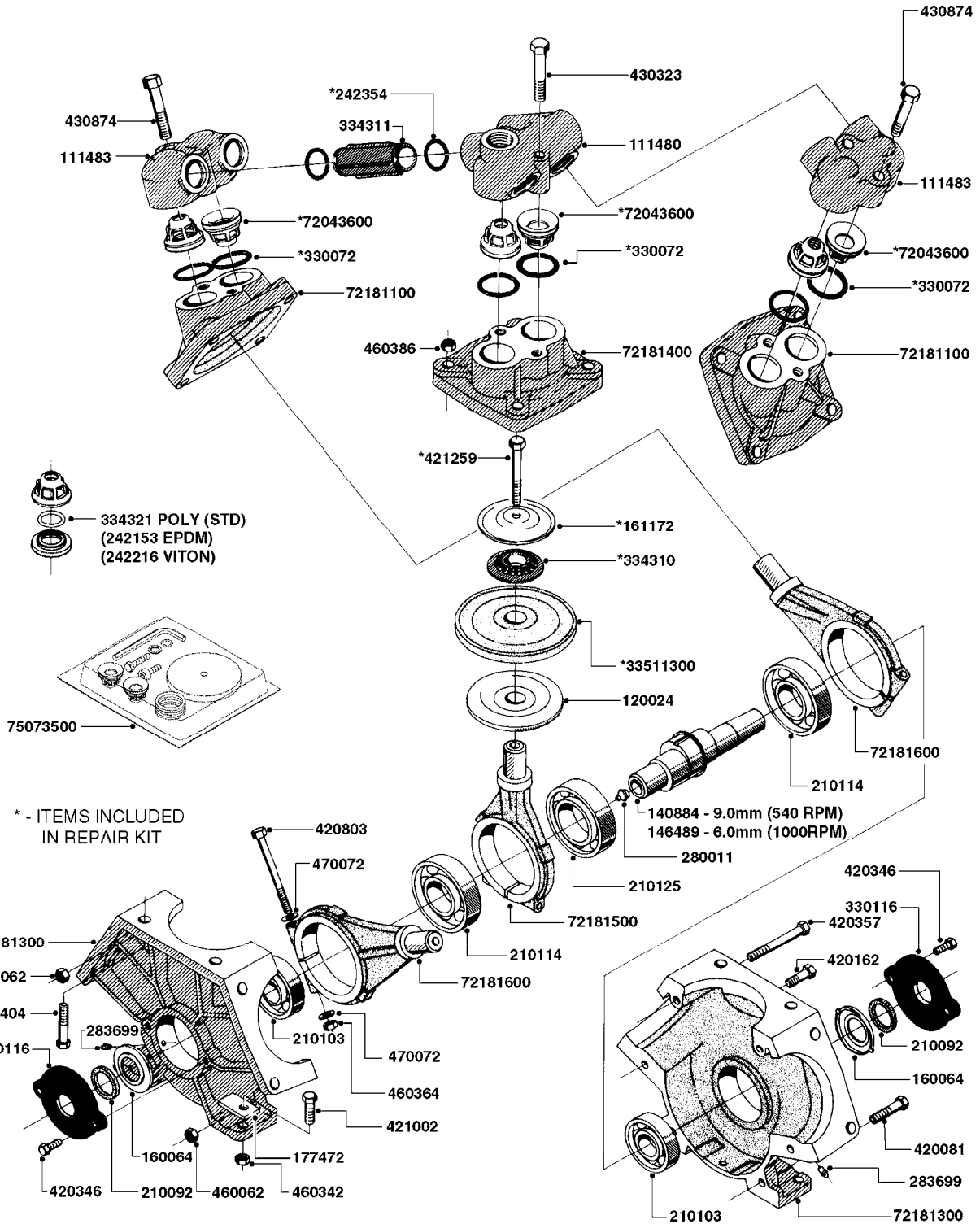


PUMP - 1301 W/ MOUNTING BASE
A0210-HIN, 27:04:17

Page 1

Date 12.08.2020 9:25

| parts-n° | order qty | description |
|----------|-----------|---|
| 110995 | 1 | VALVE CHAMBER SIDE MODEL 1301 |
| 120024 | 1 | DIAPHRAGM BACK DISC 1200-1300 |
| 140884 | 1 | CRANK SHAFT MODEL 1300-9 |
| 153646 | 1 | CONNECTION PIPE INLET MOD 1301 |
| 160042 | 1 | DIAPHRAGM UPPER DISC 1200-1300 |
| 160064 | 1 | DUST PLATE |
| 210092 | 1 | SEAL FELT D43/30X5 |
| 210103 | 1 | BEARING BALL 6306 |
| 210114 | 1 | BEARING BALL 6308 |
| 210125 | 1 | BEARING BALL 6210 |
| 240026 | 1 | DIAPHRAGM MODEL 1200/1301 |
| 241021 | 1 | O-RING D21,89X2,62 NITRIL |
| 242153 | 1 | O-RING D26X4 EPDM |
| 242216 | 1 | O-RING VITON F/1202/1302/462 |
| 280011 | 1 | GREASE NIPPLE 1/8' SAE H TR |
| 280066 | 1 | GREASE NIPPLE H 1A6 |
| 283699 | 1 | GREASE NIPPLE M6X1 |
| 330061 | 1 | O-RING D16/D11X2,5 |
| 330072 | 1 | O-RING D53.5/D45.5X4 |
| 330116 | 1 | SEAL RETAINER, MODEL 1300 |
| 334321 | 1 | O-RING POLY. 34.0x26.0x4.0 |
| 420081 | 1 | BOLT HEX 8.8 DEL 3/8'X40MM |
| 420162 | 1 | BOLT HEX 8.8 DEL 3/8"x15MM |
| 420346 | 1 | BOLT HEX 8.8 DEL 3/8'X 25MM |
| 420357 | 1 | BOLT HEX 8.8 RAW 3/8'X85MM |
| 420803 | 1 | BOLT HEX 8.8 DEL M8X90 |
| 421002 | 1 | BOLT HEX 8.8 DEL M10X30 FT DIN933 |
| 421259 | 1 | BOLT HEX UNC7/16"x2.25" 18-8SS |
| 430323 | 1 | BOLT HEX 8.8 DEL M12X60 |
| 430404 | 1 | BOLT HEX 8.8 DEL M12X50 |
| 430870 | 1 | BOLT HEX 8.8 DEL M12X55 FT |
| 430874 | 1 | SCREW SET 8.8 DEL M12X70 FT |
| 460062 | 1 | NUT HEX 3/8' GALV. |
| 460342 | 1 | NUT HEX M10 DEL DIN934 |
| 460353 | 1 | NUT HEX M8 BLACK |
| 460386 | 1 | NUT HEX M12X1.75 |
| 470072 | 1 | WASHER D15/D8X.5 LOCK |
| 470525 | 1 | WASHER D19/D11.5X2.5 |
| 33511300 | 1 | DIAPHRAGM 1202-1303 POLY 2006 |
| 72043600 | 1 | VALVE FOR 462/463 |
| 72181100 | 1 | DIAPHRAGM COVER 1203/1303+BLTS |
| 72181300 | 1 | PUMP CASTING 1300 RED W/BOLTS |
| 72181400 | 1 | DIAPHRAGM COVER 1303 W/BOLTS |
| 72181500 | 1 | CONNECTING ROD, CENTER 1303 |
| 72181600 | 1 | CONNECTING ROD, SIDE MOD.1300 |
| 72335600 | 1 | CENTER AND SIDE VALVE CHAMBERS 1302 RED |
| 75073500 | 1 | PUMP KIT 1300/1302 "06" |



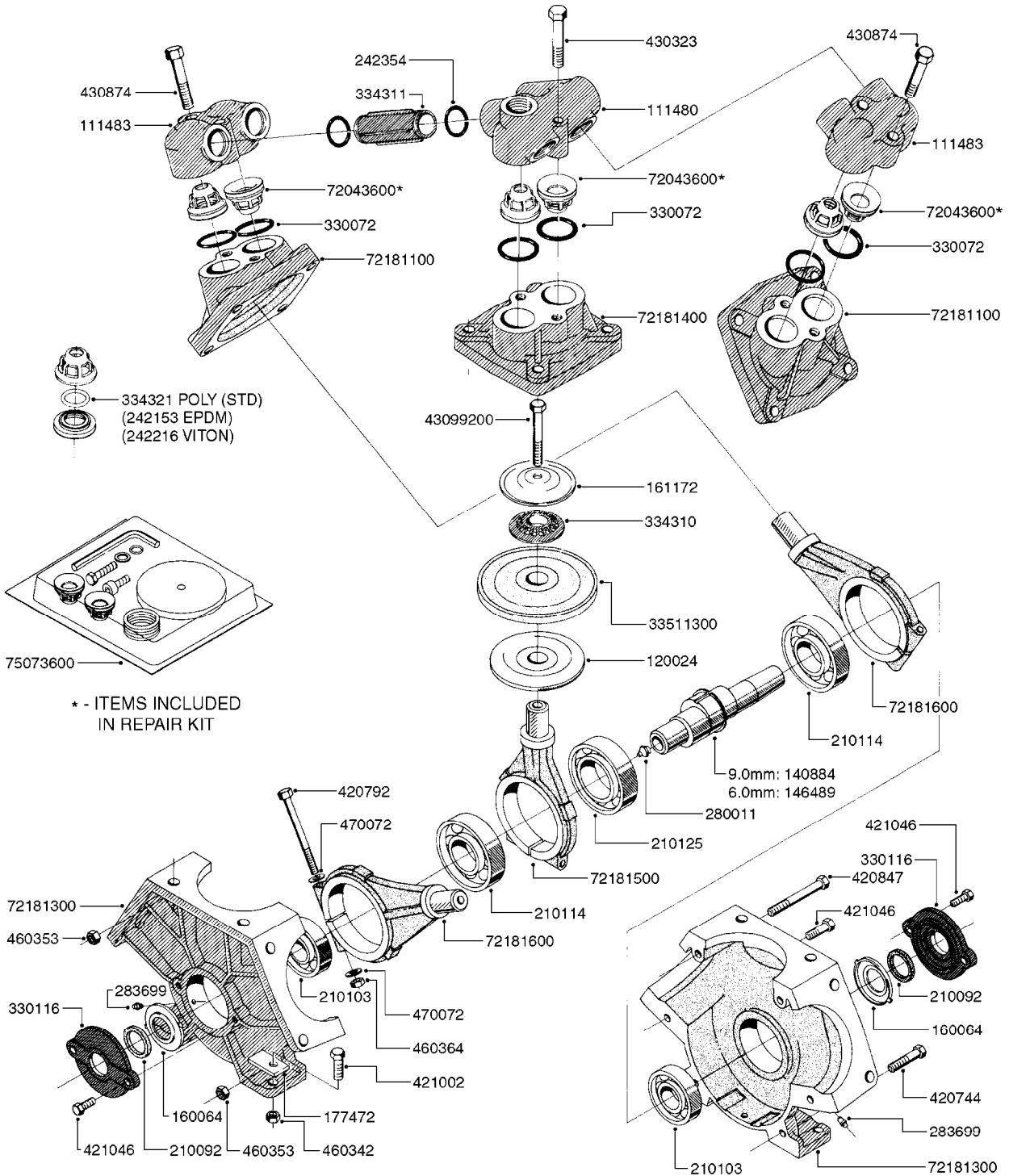
A0220



PUMP - 1302 W/ MOUNTING BASE
A0220-HIN, 27:04:17

Page 1
Date 12.08.2020 9:25

| parts-n° | order qty | description |
|----------|-----------|-----------------------------------|
| 111480 | 1 | VALVE HEAD 1302 CENTER |
| 111483 | 1 | VALVE HEAD SIDE 1302 |
| 120024 | 1 | DIAPHRAGM BACK DISC 1200-1300 |
| 140884 | 1 | CRANK SHAFT MODEL 1300-9 |
| 146489 | 1 | CRANK SHAFT MODEL 1302-6MM |
| 160064 | 1 | DUST PLATE |
| 161172 | 1 | DIAPHRAGM DISC F. 1203/1303 |
| 177472 | 1 | BRACKET 25 X 5 |
| 210092 | 1 | SEAL FELT D43/30X5 |
| 210103 | 1 | BEARING BALL 6306 |
| 210114 | 1 | BEARING BALL 6308 |
| 210125 | 1 | BEARING BALL 6210 |
| 242153 | 1 | O-RING D26X4 EPDM |
| 242216 | 1 | O-RING VITON F/1202/1302/462 |
| 242354 | 1 | O-RING D32.2X3.0 VITON |
| 280011 | 1 | GREASE NIPPLE 1/8" SAE H TR |
| 283699 | 1 | GREASE NIPPLE M6X1 |
| 330072 | 1 | O-RING D53.5/D45.5X4 |
| 330116 | 1 | SEAL RETAINER, MODEL 1300 |
| 334310 | 1 | NYLON WASHER 1202/1302/462 |
| 334311 | 1 | CONNECTION PIPE INLET MOD.1302 |
| 334321 | 1 | O-RING POLY. 34.0x26.0x4.0 |
| 420081 | 1 | BOLT HEX 8.8 DEL 3/8"X40MM |
| 420162 | 1 | BOLT HEX 8.8 DEL 3/8"X15MM |
| 420346 | 1 | BOLT HEX 8.8 DEL 3/8"X 25MM |
| 420357 | 1 | BOLT HEX 8.8 RAW 3/8"X85MM |
| 420803 | 1 | BOLT HEX 8.8 DEL M8X90 |
| 421002 | 1 | BOLT HEX 8.8 DEL M10X30 FT DIN933 |
| 421259 | 1 | BOLT HEX UNC7/16"x2.25" 18-8SS |
| 430323 | 1 | BOLT HEX 8.8 DEL M12X60 |
| 430404 | 1 | BOLT HEX 8.8 DEL M12X50 |
| 430874 | 1 | SCREW SET 8.8 DEL M12X70 FT |
| 460062 | 1 | NUT HEX 3/8" GALV. |
| 460342 | 1 | NUT HEX M10 DEL DIN934 |
| 460364 | 1 | NUT HU M8 A2 SS DIN934 |
| 460386 | 1 | NUT HEX M12X1.75 |
| 470072 | 1 | WASHER D15/D8X.5 LOCK |
| 33511300 | 1 | DIAPHRAGM 1202-1303 POLY 2006 |
| 72043600 | 1 | VALVE FOR 462/463 |
| 72181100 | 1 | DIAPHRAGM COVER 1203/1303+BLTS |
| 72181300 | 1 | PUMP CASTING 1300 RED W/BOLTS |
| 72181400 | 1 | DIAPHRAGM COVER 1303 W/BOLTS |
| 72181500 | 1 | CONNECTING ROD, CENTER 1303 |
| 72181600 | 1 | CONNECTING ROD, SIDE MOD.1300 |
| 75073500 | 1 | PUMP KIT 1300/1302 "06" |



COMPLETE PUMPS
821635 - PUMP ONLY
10396203 - WITH PTO & DAMPER

COMPLETE ASSEMBLIES
WHOLEGOODS ITEMS

A0230



PUMP - 1303 W/ MOUNTING BASE
A0230-HIN, 01:01:16

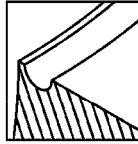
Page 1
Date 12.08.2020 9:25

| parts-n° | order qty | description |
|----------|-----------|-----------------------------------|
| 111480 | 1 | VALVE HEAD 1302 CENTER |
| 111483 | 1 | VALVE HEAD SIDE 1302 |
| 120024 | 1 | DIAPHRAGM BACK DISC 1200-1300 |
| 140884 | 1 | CRANK SHAFT MODEL 1300-9 |
| 146489 | 1 | CRANK SHAFT MODEL 1302-6MM |
| 160064 | 1 | DUST PLATE |
| 161172 | 1 | DIAPHRAGM DISC F. 1203/1303 |
| 177472 | 1 | BRACKET 25 X 5 |
| 210092 | 1 | SEAL FELT D43/30X5 |
| 210103 | 1 | BEARING BALL 6306 |
| 210114 | 1 | BEARING BALL 6308 |
| 210125 | 1 | BEARING BALL 6210 |
| 242153 | 1 | O-RING D26X4 EPDM |
| 242216 | 1 | O-RING VITON F/1202/1302/462 |
| 242354 | 1 | O-RING D32.2X3.0 VITON |
| 280011 | 1 | GREASE NIPPLE 1/8" SAE H TR |
| 283699 | 1 | GREASE NIPPLE M6X1 |
| 330072 | 1 | O-RING D53.5/D45.5X4 |
| 330116 | 1 | SEAL RETAINER, MODEL 1300 |
| 334310 | 1 | NYLON WASHER 1202/1302/462 |
| 334311 | 1 | CONNECTION PIPE INLET MOD.1302 |
| 334321 | 1 | O-RING POLY. 34.0x26.0x4.0 |
| 420744 | 1 | BOLT HEX 8.8 DEL M8X40 |
| 420792 | 1 | BOLT HEX 8.8 RAW M8X95 |
| 420847 | 1 | BOLT HEX 8.8 DEL M8X85 |
| 421002 | 1 | BOLT HEX 8.8 DEL M10X30 FT DIN933 |
| 421046 | 1 | BOLT HEX M8X25/25 A2 SS DIN933 |
| 430323 | 1 | BOLT HEX 8.8 DEL M12X60 |
| 430874 | 1 | SCREW SET 8.8 DEL M12X70 FT |
| 460342 | 1 | NUT HEX M10 DEL DIN934 |
| 460353 | 1 | NUT HEX M8 BLACK |
| 460364 | 1 | NUT HU M8 A2 SS DIN934 |
| 470072 | 1 | WASHER D15/D8X.5 LOCK |
| 821635 | 1 | PUMP 1303/9 540RPM |
| 10396203 | 1 | PUMP 1303 C/W PTO 540 RPM |
| 33511300 | 1 | DIAPHRAGM 1202-1303 POLY 2006 |
| 43099200 | 1 | BOLT HEX SS M12 X 30 DIN933 A4 |
| 72043600 | 1 | VALVE FOR 462/463 |
| 72181100 | 1 | DIAPHRAGM COVER 1203/1303+BLTS |
| 72181300 | 1 | PUMP CASTING 1300 RED W/BOLTS |
| 72181400 | 1 | DIAPHRAGM COVER 1303 W/BOLTS |
| 72181500 | 1 | CONNECTING ROD, CENTER 1303 |
| 72181600 | 1 | CONNECTING ROD, SIDE MOD.1300 |
| 75073600 | 1 | PUMP KIT 1303 MM "06" |



Housing for Black Diaphragm-

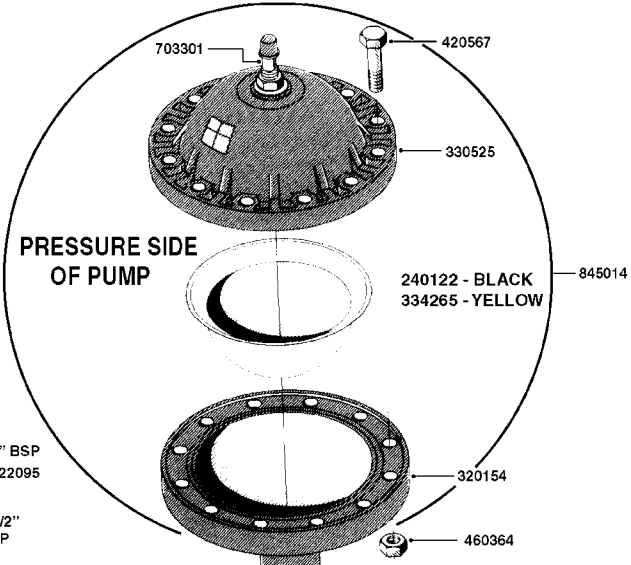
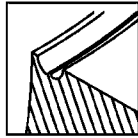
This groove on the lower housing of the Pressure Damper is for the BLACK diaphragm (240122). Never upgrade diaphragms to the YELLOW style unless you also upgrade Pressure Dampers to the housing style shown below.



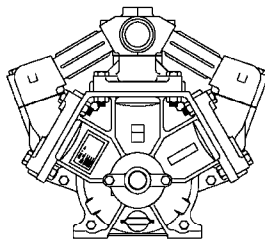
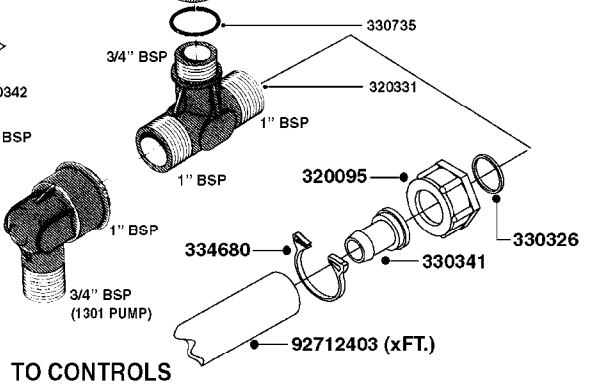
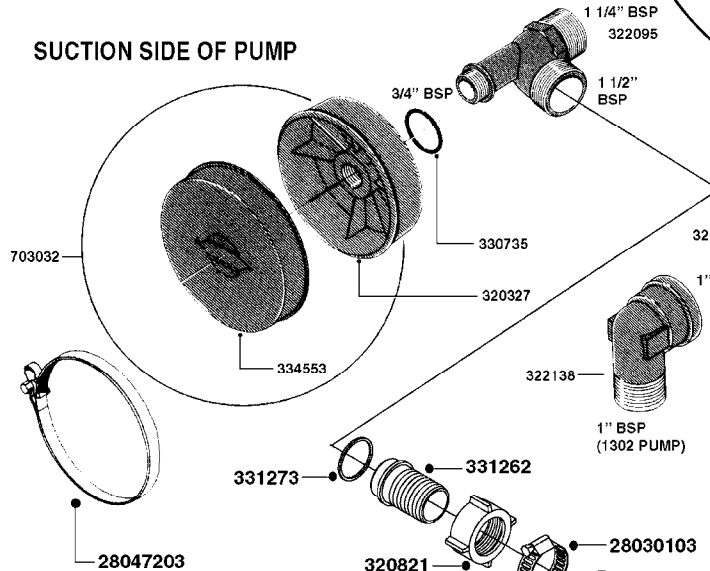
The YELLOW style diaphragm will not seal correctly in this housing.

Housing for Yellow Diaphragm-

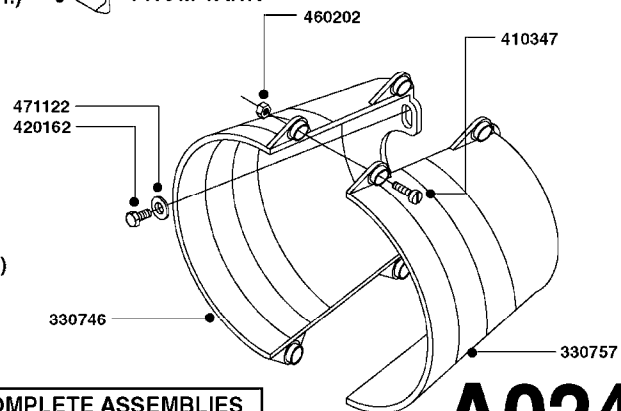
The groove on the lower housing of a the Pressure Damper is recognized by the extra lip on the bottom inside of the groove. For this style Pressure Damper, you need the YELLOW diaphragm (334265).



SUCTION SIDE OF PUMP



NLA - 1302 PUMP (REPLACES 1301 PUMP)
#726854 - COMPLETE DAMPER KIT (SUCTION & PRESSURE)



**COMPLETE ASSEMBLIES
WHOLEGOODS ITEMS**

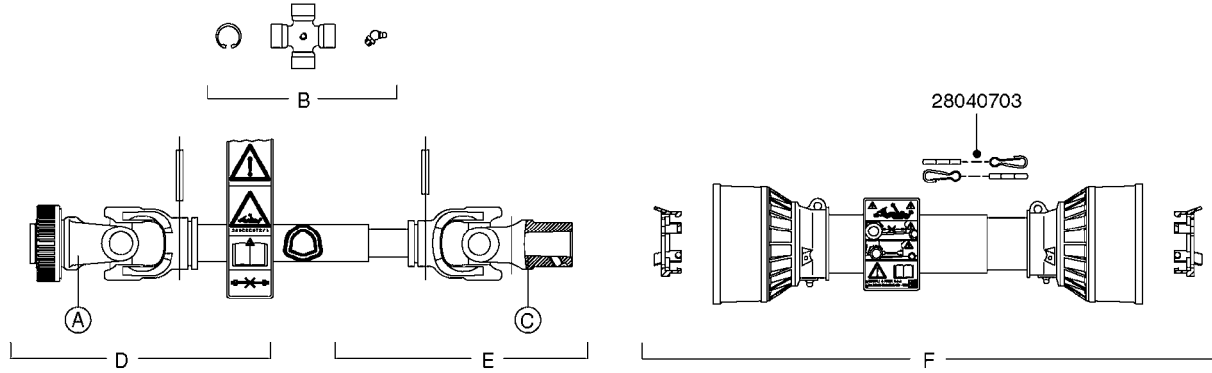
A0240



PUMP - 1301/1302 FITTINGS
A0240-HIN, 01:01:16

Page 1
Date 12.08.2020 9:25

| parts-n° | order qty | description |
|----------|-----------|------------------------------------|
| 240122 | 1 | DIAPHRAGM FOR PRES.DAMP.NITRIL |
| 320095 | 1 | FITT.DK NUT 1" BSP |
| 320154 | 1 | AIR BOTTLE, BOTTOM PART |
| 320327 | 1 | HOUSING F. SUCTION AIR BOTTLE |
| 320331 | 1 | FITT.DK TEE 1" - 1" - 3/4" BSP |
| 320342 | 1 | FITT.DK EL 3/4"M X 1"F BSP |
| 320821 | 1 | FITT.DK NUT 1-1/2" BSP |
| 322095 | 1 | FITT.DK TEE 1-1/2 X1-1/4 X3/4" BSP |
| 322138 | 1 | FITT.DK ELB 1"M X 1"F BSP |
| 330326 | 1 | O-RING D30/D24X2 F.1"NUT |
| 330341 | 1 | FITT.DK HB 1" F. 1" NUT |
| 330525 | 1 | AIR BOTTLE, TOP HALF |
| 330735 | 1 | O-RING D30/D26X2 |
| 330746 | 1 | GUARD PTO LOWER PART |
| 330757 | 1 | GUARD PTO UPPER PART |
| 331262 | 1 | FITT.DK HB 1-1/2" F. 1-1/2"NUT |
| 331273 | 1 | O-RING D44/D38X2 F.1-1/2" |
| 334265 | 1 | DIAPHRAGM F. PRESS DAMP. |
| 334553 | 1 | DIAPHRAGM F.SUCTION AIR BOTTLE |
| 334680 | 1 | CLAMP HOSE PLASTIC 1" |
| 410347 | 1 | SCREW M6X20 8.8 |
| 420162 | 1 | BOLT HEX 8.8 DEL 3/8"x15MM |
| 420567 | 1 | BOLT HEX 8.8 DEL M8X30 FT |
| 460202 | 1 | NUT HEX M6 |
| 460364 | 1 | NUT HU M8 A2 SS DIN934 |
| 471122 | 1 | WASHER, M10, Ø20/10.5X 2.0, SS |
| 703032 | 1 | SUCTION AIR BOTTLE 3/4" COMPL. |
| 703301 | 1 | VALVE FOR AIR BOTTLE |
| 726854 | 1 | DAMPER KIT 1203/1303 |
| 845014 | 1 | AIR BOTTLE COMPLETE HJ73 |
| 28030103 | 1 | CLAMP HOSE GEAR P5/4-S1.5"6724 |
| 28047203 | 1 | CLAMP HOSE GEAR 60 X 80 6756 |
| 92702603 | 1 | HOSE PVC SUCT GRAY 1-1/2" |
| 92712403 | 1 | HOSE R X1" X300PSI WP X0012" |

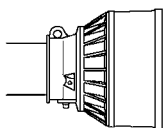


| PTO | TRACTOR | IMPLEMENT | LENGTH | A | B | C | D | E | F |
|------------|---------------------|---------------------|-----------|----------|----------|----------|----------|----------|----------|
| 28020203 † | 1-3/4" 20-SPLINE | 1-3/8" 21-SPLINE | 860/1313 | 28015703 | 28009403 | 28040603 | 28015803 | 28015903 | 28016003 |
| 28020303 † | 1-3/8" 21-SPLINE | 1-3/8" 21-SPLINE | 860/1328 | 28015103 | 28015203 | 28015303 | 28015403 | 28015503 | 28015603 |
| 829445 † | 1-3/8" 6-SPLINE | 1-3/8" 6-SPLINE | 810/1219 | 284041 | 289045 | 289041 | 28016703 | 28016803 | 289050 |
| 829446 | 1-3/8" 6-SPLINE | 1-3/8" 6-SPLINE | 810/1230 | 289040 | 284041 | 289040 | 28016203 | 28016303 | 289049 |
| 829480 | 1-3/8" 21-SPLINE | 1-3/8" 21-SPLINE | 1210/1912 | 28005200 | 289042 | 28005800 | 28006700 | 28007300 | 28008100 |
| 829482 * | 1-3/8" 6-SPLINE | Ø25 CONE 3 | 610/912 | 28005400 | 289042 | 28006000 | 28008500 | 28007500 | 28008600 |
| 829483 * | 1-3/8" 6-SPLINE | Ø30 CONE 4 | 610/912 | 28005400 | 289042 | 28006100 | 28008500 | - | 28008600 |
| 829484 * | 1-3/8" 6-SPLINE | 1-3/8" 6-SPLINE | 610/912 | 28005400 | 289042 | 28006200 | 28008500 | - | 28008600 |
| 829486 | 1-3/8" 6-SPLINE | Ø30 CONE 4 | 860/1328 | 28005400 | 289042 | 28006100 | 28006900 | - | 28008100 |
| 829487 * | 1-3/8" 6-SPLINE | 1-3/8" 6-SPLINE | 860/1328 | 28005400 | 289042 | 28006200 | 28006900 | - | 28008100 |
| 829490 | 1-3/8" 6-SPLINE | Ø30 CONE 4 | 1210/1912 | 28005400 | 289042 | 28006100 | 28006900 | - | 28008100 |
| 829491 | 1-3/8" 6-SPLINE | Ø1" | 610/912 | 28005400 | 289042 | 28006300 | 28008500 | 28007800 | 28008600 |
| 829502 * | 1-3/8" 6-SPLINE | 1-3/8" 6-SPLINE | 1210/1912 | 28068800 | 28069700 | 28073000 | - | - | 28072800 |

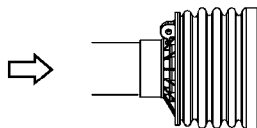
* Supplier changed in 2011 - see page A0580 for "AMA" PTO's (yellow and black shields).

† Changed in 2016 from 100 series to G-Series (see page A0600).

100 SERIES



G-SERIES



A0510

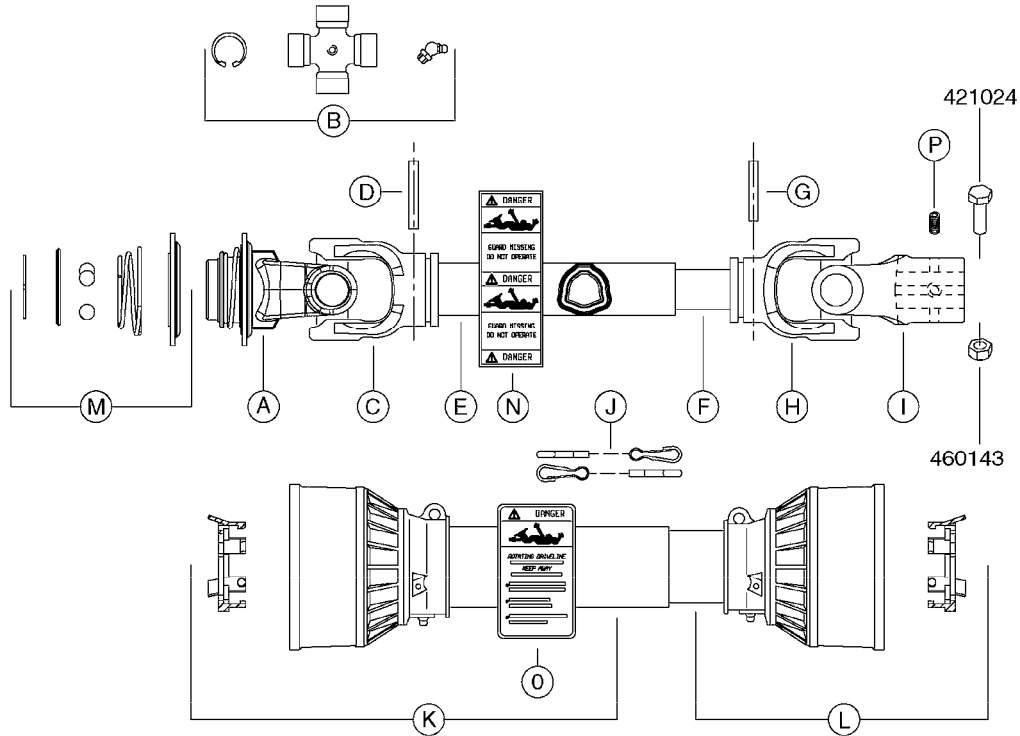


PTO SHAFTS - BONDIOLI DIAPH.
A0510-HIN, 23:10:18

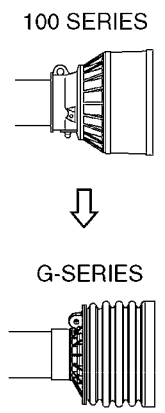
Page 1

Date 12.08.2020 9:25

| parts-n° | order qty | description |
|----------|-----------|--------------------------------|
| 284041 | 1 | UNIV. JOINT 27x70mm |
| 289040 | 1 | PTO YOKE 1-3/8" X 6 SPLINE |
| 289041 | 1 | PTO YOKE 1-3/8" X 6 SPLINE |
| 289042 | 1 | UNIV. JOINT 22x54mm |
| 289045 | 1 | UNIV. JOINT 30.2x79.4mm |
| 289049 | 1 | PTO SHIELD COMPLETE F.829446 |
| 289050 | 1 | PTO SHIELD COMPLETE F.829445 |
| 829445 | 1 | PTO 1-3/8/6X1-3/8/6X810M AXIAL |
| 829446 | 1 | PTO SHAFT LE-SPV + LP ZE-P540 |
| 829480 | 1 | PTO 1-3/8/21 x 1-3/8/21x1210MM |
| 829482 | 1 | PTO 1-3/8/6X25MM X 600MM 1202 |
| 829483 | 1 | PTO 1-3/8/6X30MM x 610MM 1302 |
| 829484 | 1 | PTO 1-3/8/6X1-3/8/6X575MM 361 |
| 829486 | 1 | PTO 1-3/8/6X30MM X870MM 1302 |
| 829487 | 1 | PTO 1-3/8/6X1-3/8/6X870MM 361 |
| 829490 | 1 | PTO 1-3/8/6X30MM 1320MM 1302 |
| 829491 | 1 | PTO 1-3/8/6X1' 610/913MM 9016 |
| 829502 | 1 | PTO 1-3/8/6x1210/1745 |
| 28005200 | 1 | PTO YOKE 1-3/8" X 21 SPLINE |
| 28005400 | 1 | PTO YOKE 1-3/8" X 6 SPLINE |
| 28005800 | 1 | PTO YOKE 1-3/8" X 21 SPLINE |
| 28006000 | 1 | PTO YOKE D25 CONE 3 DEG. |
| 28006100 | 1 | PTO YOKE D30 CONE 4 DEG. |
| 28006200 | 1 | PTO YOKE 1-3/8" X 6 SPLINE |
| 28006300 | 1 | PTO YOKE D1" |
| 28006700 | 1 | PTO OUTER 1-3/8"X21(NO SHIELD) |
| 28006900 | 1 | PTO OUTER 1-3/8"X6(NO SHIELD) |
| 28007300 | 1 | PTO INNER 1-3/8"X21(NO SHIELD) |
| 28007500 | 1 | PTO HALF SHAFT - PUMP END |
| 28007800 | 1 | PTO INNER D1" (NO SHIELD) |
| 28008100 | 1 | PTO SHIELD COMPLETE |
| 28008500 | 1 | PTO HALF SHAFT - TRACTOR END |
| 28008600 | 1 | PTO SHIELD ASSY COMPLETE |
| 28009403 | 1 | UNIV. JOINT 27x74.6mm |
| 28015103 | 1 | PTO YOKE 1-3/8"X21 TWST OLD |
| 28015203 | 1 | UNIV. JOINT 23.8x61.3mm |
| 28015303 | 1 | PTO YOKE 1-3/8"X21 BALL COLLAR |
| 28015403 | 1 | PTO OUTER 1-3/8"X21(SHIELDED) |
| 28015503 | 1 | PTO INNER 1-3/8"X21(NO SHIELD) |
| 28015603 | 1 | PTO SHIELD COMPLETE F.28020303 |
| 28015703 | 1 | PTO YOKE 1-3/4"X20 SPL OUTER |
| 28015803 | 1 | PTO OUTER 1-3/4"X20(NO SHIELD) |
| 28015903 | 1 | PTO INNER 1-3/8"X21(NO SHIELD) |
| 28016003 | 1 | PTO SHIELD COMPLETE F.10465803 |
| 28016203 | 1 | PTO OUTER 1-3/8"X6(SHIELDED) |
| 28016303 | 1 | PTO INNER 1-3/8"X6(NO SHIELD) |
| 28016703 | 1 | PTO OUTER 1-3/8"X6(NO SHIELD) |
| 28016803 | 1 | PTO INNER 1-3/8"X6(NO SHIELD) |
| 28020203 | 1 | PTO 1-3/4/20x1-3/8/21 BP L=860 |
| 28020303 | 1 | PTO 1-3/8/21 x 1-3/8/21 B&P |
| 28040603 | 1 | PTO YOKE 1-3/8X21SPL BLACK |
| 28040703 | 1 | SAFETY CHAIN F.CV BLACK PTO |
| 28068800 | 1 | PTO YOKE 1-3/8" X 6 SPLINE |
| 28069700 | 1 | UNIV. JOINT STD1 SFT |
| 28072800 | 1 | PTO SHIELD COMPLETE L=1912 SFT |
| 28073000 | 1 | PTO YOKE 1-3/8" X 6 SPLINE |



**COMPLETE ASSEMBLIES
WHOLEGOOD ITEMS**



| PTO # | 28021403 * | 28021503 * | 28021603 |
|-----------|-----------------|------------------|------------------|
| TRACTOR | 1-3/8" 6 SPLINE | 1-3/8" 21 SPLINE | 1-3/4" 20 SPLINE |
| IMPLEMENT | D1" | D1" | D1" |
| LENGTH | 1031/1501 | 1031/1499 | 1066/1519 |
| A | 28056703 | 28056803 | 28056903 |
| B | 289042 | 289042 | 28040503 |
| C | 28057003 | 28057003 | 28057103 |
| D | 28057203 | 28057203 | 28009803 |
| E | 28057303 | 28057303 | 28057403 |
| F | 28057503 | 28057503 | 28057603 |
| G | 28057703 | 28057703 | 28009903 |
| H | 28058503 | 28058503 | 28010103 |
| I | 28057803 | 28057803 | 28057903 |
| J | 28040703 | 28040703 | 28040703 |
| K | 28058003 | 28058003 | 28058103 |
| L | 28058203 | 28058203 | 28058303 |
| M | 28027903 | 28027903 | 28058403 |
| N | 28041803 | 28041803 | 28041803 |
| O | 28041903 | 28041903 | 28041903 |
| P | 450015 | 450015 | 450015 |

* Changed in 2016 from 100 series to G-Series (see page A0600).

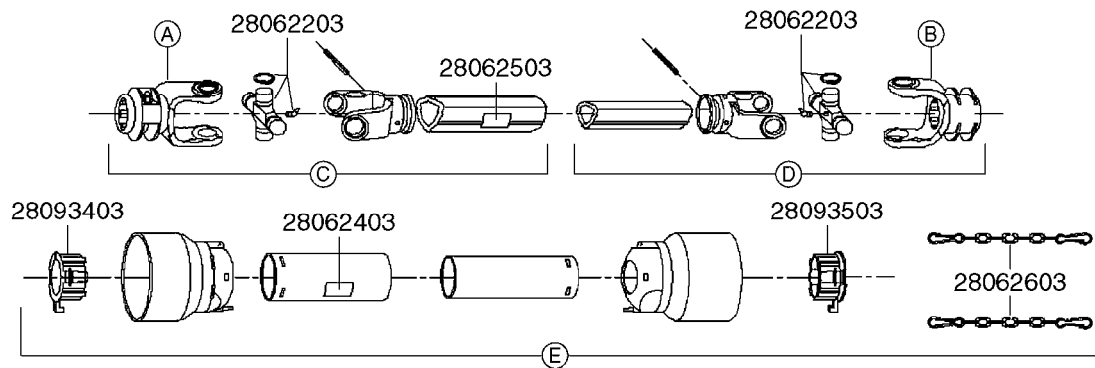
A520



PTO SHAFTS - BONDIOLI CENT.
A0520-HIN, 23:10:18

Page 1
Date 12.08.2020 9:25

| parts-n° | order qty | description |
|----------|-----------|--------------------------------|
| 289042 | 1 | UNIV. JOINT 22x54mm |
| 421024 | 1 | BOLT HEX 8.8 DEL M8X60 |
| 450015 | 1 | SCREW ALLAN 3/8'X5/8' BLACK |
| 460143 | 1 | LOCK NUT M8 SST A2 DIN985 |
| 28009803 | 1 | PTO PIN TUBE RETAINER OUTER |
| 28009903 | 1 | PTO TUBE RETAINER INNER |
| 28010103 | 1 | PTO YOKE F.INNER TUBE CV PTO |
| 28021403 | 1 | PTO 1"STR/1-3/8" 6SPL B&P |
| 28021503 | 1 | PTO 1"STR/1-3/8" 21SPL B&P |
| 28021603 | 1 | PTO 1"STR/1-3/4" 20SPL B&P |
| 28027903 | 1 | PTO BALL LOCK.KIT F.1-3/8 YOKE |
| 28040503 | 1 | UNIV. JOINT 27x74.6mm |
| 28040703 | 1 | SAFETY CHAIN F.CV BLACK PTO |
| 28041803 | 1 | DECAL DANGER GUARD MISSING |
| 28041903 | 1 | DECAL DANGER ROT.DRIVELINE |
| 28056703 | 1 | PTO YOKE #1 1-3/8" X 6 SPLINE |
| 28056803 | 1 | PTO YOKE #1 1-3/8" X 21 SPLINE |
| 28056903 | 1 | PTO YOKE #4 1-3/4" X 20 SPLINE |
| 28057003 | 1 | PTO TUBE YOKE #1-G1 OUTER |
| 28057103 | 1 | PTO TUBE YOKE #4-G4 OUTER |
| 28057203 | 1 | PTO PIN TUBE RETAINER OUTER |
| 28057303 | 1 | PTO TUBE OUTER #1 745MM |
| 28057403 | 1 | PTO TUBE OUTER #4 720MM |
| 28057503 | 1 | PTO TUBE INNER #1 745MM |
| 28057603 | 1 | PTO TUBE INNER #4 720MM |
| 28057703 | 1 | PTO TUBE RETAINER INNER |
| 28057803 | 1 | PTO TUBE YOKE #1 Ø=1" |
| 28057903 | 1 | PTO TUBE YOKE #4 Ø=1" |
| 28058003 | 1 | PTO HALF SAFETY SHIELD OUTER |
| 28058103 | 1 | PTO HALF SAFETY SHIELD OUTER |
| 28058203 | 1 | PTO HALF SAFETY SHIELD INNER |
| 28058303 | 1 | PTO HALF SAFETY SHIELD INNER |
| 28058403 | 1 | PTO BALL LOCK.KIT F.1-3/4 YOKE |
| 28058503 | 1 | PTO TUBE YOKE #1-G1 INNER |



| PTO # | 829482 | 829483 | 829484 | 829487 |
|-----------|-----------------|-----------------|-----------------|-----------------|
| TRACTOR | 1-3/8" 6 SPLINE | 1-3/8" 6 SPLINE | 1-3/8" 6 SPLINE | 1-3/8" 6 SPLINE |
| IMPLEMENT | 25 mm | 30 mm | 1-3/8" 6 SPLINE | 1-3/8" 6 SPLINE |
| LENGTH | 610/800 | 610/800 | 610/800 | 860/1050 |
| A | 28062103 | 28062103 | 28062103 | 28062103 |
| B | 28062303 | 28063003 | 28062103 | 28062103 |
| C | 28062703 | 28062703 | 28062703 | 28063403 |
| D | 28062803 | 28063103 | 28063203 | 28063503 |
| E | 28062903 | 28062903 | 28062903 | 28063303 |

Note: For "Bondioli" PTO's (previous supplier) - see page A0510.

COMPLETE ASSEMBLIES
WHOLEGOOD ITEMS

A0580

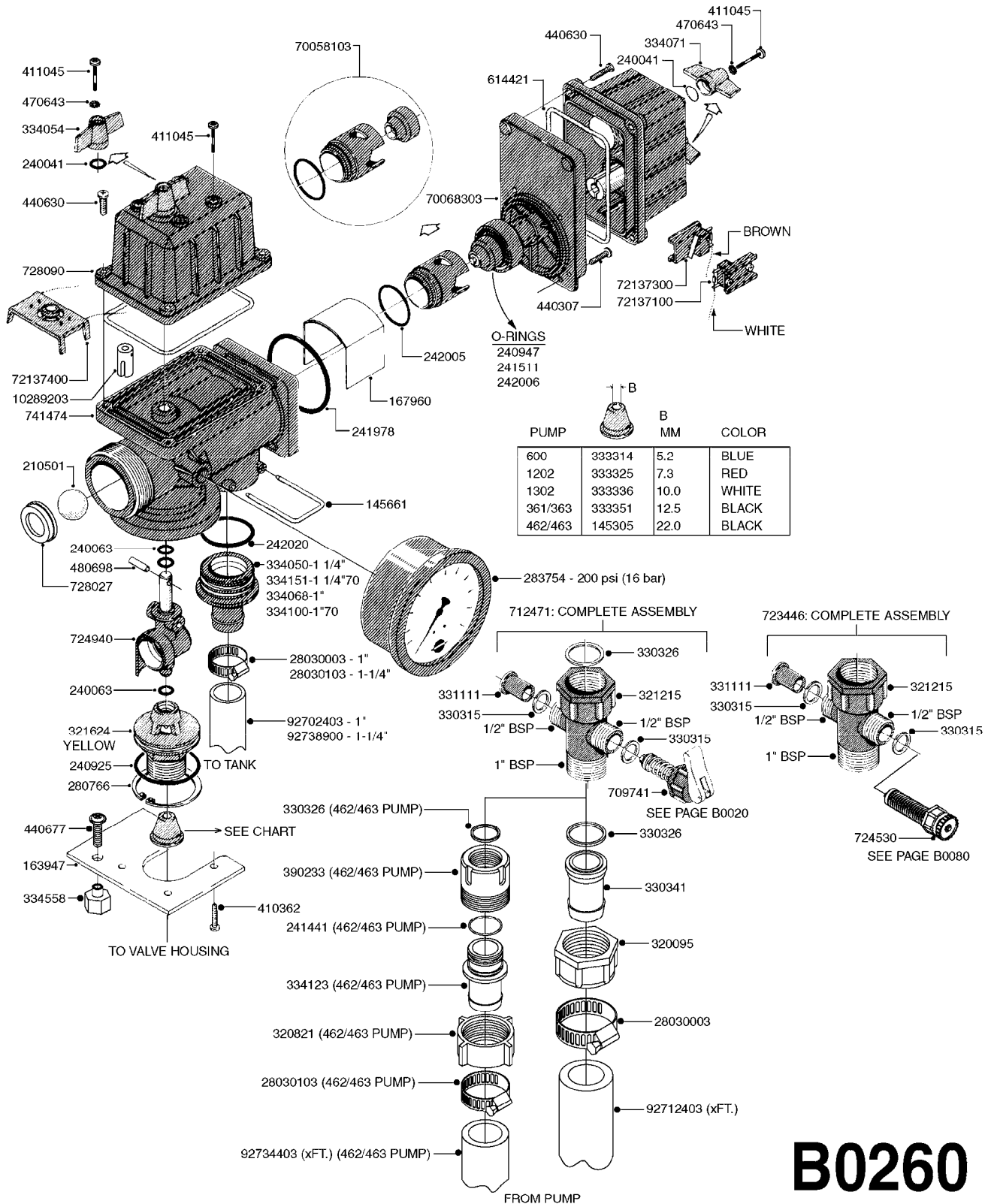


PTO SHAFTS - AMA DIAPHRAGM
A0580-HIN, 01:01:16

Page 1

Date 12.08.2020 9:25

| parts-n° | order qty | description |
|----------|-----------|-------------------------------|
| 829482 | 1 | PTO 1-3/8/6X25MM X 600MM 1202 |
| 829483 | 1 | PTO 1-3/8/6X30MM x 610MM 1302 |
| 829484 | 1 | PTO 1-3/8/6X1-3/8/6X575MM 361 |
| 829487 | 1 | PTO 1-3/8/6X1-3/8/6X870MM 361 |
| 28062103 | 1 | PTO YOKE 1-3/8X6 AMA |
| 28062203 | 1 | UNIV.JOINT CAT.1 AMA |
| 28062303 | 1 | PTO YOKE D25 AMA |
| 28062403 | 1 | DECAL - DANGER ROTATING SHAFT |
| 28062503 | 1 | DECAL - DANGER MISSING GUARD |
| 28062603 | 1 | SAFETY CHAIN F.PTO AMA |
| 28062703 | 1 | PTO OUTER 1-3/8X6 (NO SHIELD) |
| 28062803 | 1 | PTO INNER D25 (NO SHIELD) |
| 28062903 | 1 | PTO SHIELD COMPLETE |
| 28063003 | 1 | PTO YOKE D30 AMA |
| 28063103 | 1 | PTO INNER D30 (NO SHIELD) |
| 28063203 | 1 | PTO INNER 1-3/8X6 (NO SHIELD) |
| 28063303 | 1 | PTO SHIELD COMPLETE |
| 28063403 | 1 | PTO OUTER 1-3/8X6 (NO SHIELD) |
| 28063503 | 1 | PTO INNER 1-3/8X6 (NO SHIELD) |
| 28093403 | 1 | PTO OUTER TUBE BEARING AMA |
| 28093503 | 1 | PTO INNER TUBE BEARING AMA |



B0260



EC MASTER VALVE-ELEC. (RED GRP)
B0260-HIN, 05:10:17

Page 1

Date 12.08.2020 9:25

| parts-n° | order qty | description |
|----------|-----------|--------------------------------|
| 145305 | 1 | NOZZLE F.OP.UNIT PUMP 462 |
| 145661 | 1 | FITT.DK S-61 FORK |
| 163947 | 1 | FITTING FOR BK 180 |
| 167960 | 1 | WEAR SHIELD EC CONTROL |
| 210501 | 1 | BALL PLASTIC D25 |
| 240041 | 1 | O-RING D15.1/10.3 X 2.4 |
| 240063 | 1 | O-RING D14.1/9.3 X 2.4 |
| 240925 | 1 | O-RING D49.5X3 NITRIL |
| 240947 | 1 | O-RING D7.3X2.4 NITRIL |
| 241441 | 1 | O-RING D29.3X3 |
| 241511 | 1 | O-RING D18X2 |
| 241978 | 1 | O-RING 64.5X3.0 |
| 242005 | 1 | O-RING D32.1X1.6 NITRIL |
| 242006 | 1 | O-RING D22/D19 X 1.5 |
| 242020 | 1 | O-RING 39.2 X 3 VITON |
| 280766 | 1 | SNAP-RING INNER 55X2 DIN 472 |
| 283754 | 1 | GAUGE 2.5'BR REAR PSI200 BAR16 |
| 320095 | 1 | FITT.DK NUT 1" BSP |
| 320821 | 1 | FITT.DK NUT 1-1/2" BSP |
| 321215 | 1 | FITT.DK HOUSING F. AGITATION |
| 321624 | 1 | BOTTOM PIECE F.BALL OPER.UNIT |
| 330315 | 1 | O-RING D18.4/D13X.6 |
| 330326 | 1 | O-RING D30/D24X2 F.1"NUT |
| 330341 | 1 | FITT.DK HB 1" F. 1" NUT |
| 331111 | 1 | VALVE SEAT FOR 1/2" DISTRIBUT. |
| 333314 | 1 | NOZZ.RESTRICTOR 600 BLUE |
| 333325 | 1 | NOZZ.RESTRICTOR 1202 RED |
| 333336 | 1 | NOZZ.RESTRICTOR 1302 WHITE |
| 333351 | 1 | NOZZ.RESTRICTOR 361 BLACK |
| 334050 | 1 | FITT.DK S-61 STR.1-1/4" |
| 334054 | 1 | GRIP F.MAN.OP.EC ON/OFF RED |
| 334068 | 1 | FITT.DK S-61 STR.1" |
| 334071 | 1 | GRIP F.MAN.OP.EC PRESS.REG.RED |
| 334100 | 1 | FITT.DK S-61 ELB.1" 110 DEG. |
| 334123 | 1 | FITT.DK HB 1-1/4"O-RNG F.1-1/2 |
| 334151 | 1 | FITT.DK S-61 ELB.1-1/4"110 DEG |
| 334558 | 1 | NUT HEX PLASTIC INSERT |
| 390233 | 1 | FITT.DK REDUC 1-1/2" X 1" BSP |
| 410362 | 1 | BOLT HEX 8.8 SS M6X20 |
| 411045 | 1 | SCREW M4 X 16MM STAINLESS |
| 440307 | 1 | SCREW SHEET-METAL 3/4" NO. 10 |
| 440630 | 1 | SCREW 1"PLATED |
| 440677 | 1 | SCREW F. PLASTIC 5X20 SS |
| 470643 | 1 | WASHER LOCK |
| 480698 | 1 | PIN M5X16 SLOTTED |
| 614421 | 1 | GASKET F/MOTOR HOUSE-ON/OFF TR |
| 709741 | 1 | VALVE ASSY. 1/2" FLIP LEVER |
| 712471 | 1 | AGITATION VALVE ASSY. ON/OFF |
| 723446 | 1 | AGITATION VALVE ASSY. ADJUST. |
| 724530 | 1 | THUMB WHEEL FOR AGITATION |
| 724940 | 1 | BALL HOUSE MOUNTED - EC |
| 725011 | 1 | MOTOR UNIT F.PRES.REG.EC RED |
| 728027 | 1 | BUSHING WITH SEAT |
| 728090 | 1 | MOTOR UNIT F.ON/OFF EC GREEN |
| 741474 | 1 | OP.UNIT ON/OF/REG KIT W/322136 |
| 10289203 | 1 | COUPLER FOR EC ELEC.CONTROL |
| 28030003 | 1 | CLAMP HOSE GEAR P1" 6716 |
| 28030103 | 1 | CLAMP HOSE GEAR P5/4-S1.5"6724 |
| 70058103 | 1 | REG. REPAIR KIT UNIVERSAL |
| 70068303 | 1 | BRKT. PLATE F/PRES. CONT.2XNUT |
| 72137100 | 1 | MCROSWCH ASSY F.PRSR REG WHT W |

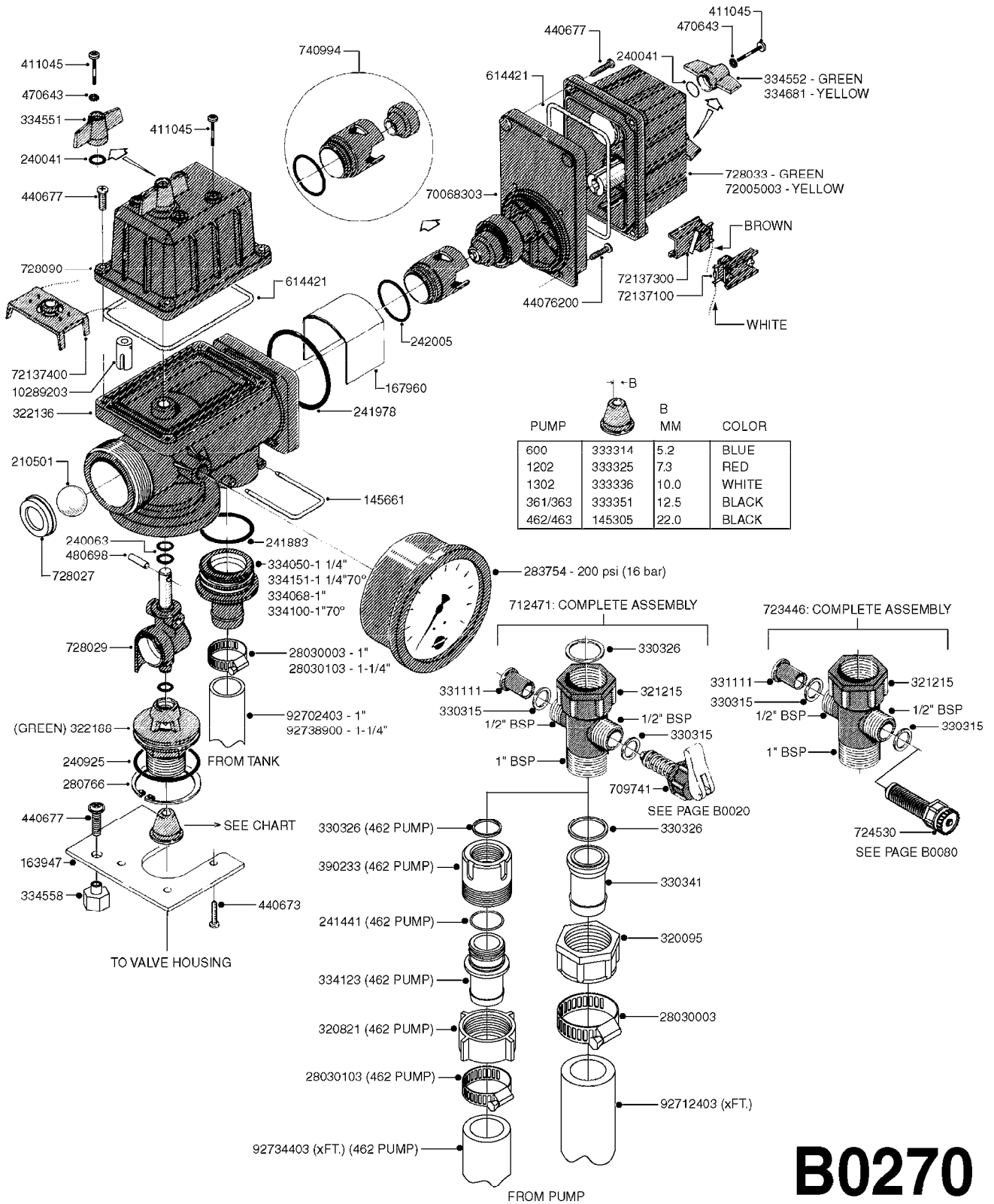


EC MASTER VALVE-ELEC. (RED GRP)
B0260-HIN, 05:10:17

Page 2

Date 12.08.2020 9:25

| parts-n° | order qty | description |
|----------|-----------|--------------------------------|
| 72137300 | 1 | MCROSWCH ASSY F.PRSR REG BRN W |
| 72137400 | 1 | MCROSWCH ASSY F. ON/OFF VLV |
| 92702403 | 1 | HOSE PVC SUCT GRAY 1" |
| 92712403 | 1 | HOSE R X1" X300PSI WP X0012" |
| 92734403 | 1 | HOSE R X5/4" X200PSI WP X0012" |
| 92738900 | 1 | HOSE R X PVC X 1-1/4" 0012" |



B0270



EC MASTER VALVE-ELEC. (GRN GRP)
B0270-HIN, 05:10:17

Page 1
Date 12.08.2020 9:25

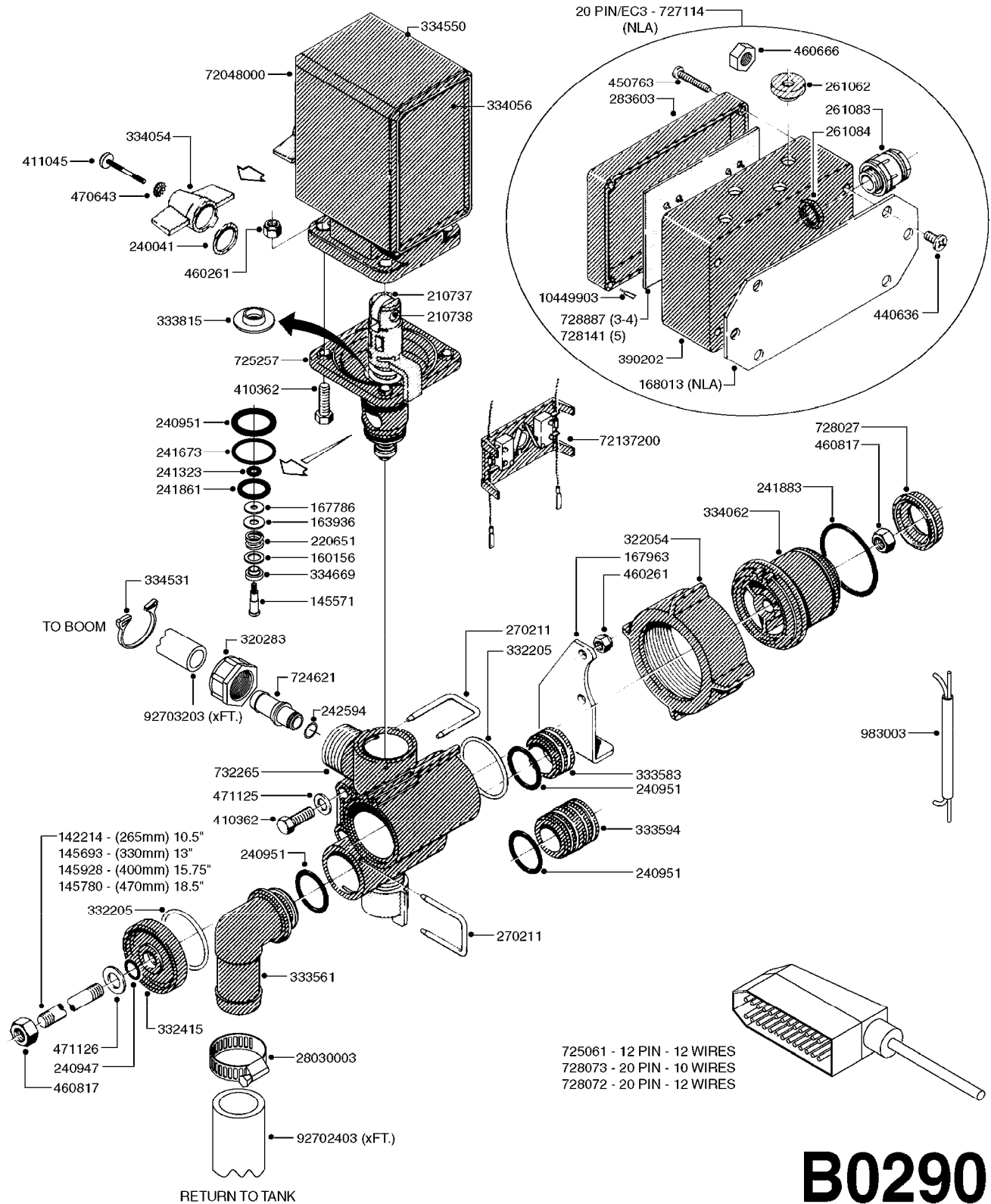
| parts-n° | order qty | description |
|----------|-----------|--------------------------------|
| 145305 | 1 | NOZZLE F.OP.UNIT PUMP 462 |
| 145661 | 1 | FITT.DK S-61 FORK |
| 163947 | 1 | FITTING FOR BK 180 |
| 167960 | 1 | WEAR SHIELD EC CONTROL |
| 210501 | 1 | BALL PLASTIC D25 |
| 240041 | 1 | O-RING D15.1/10.3 X 2.4 |
| 240063 | 1 | O-RING D14.1/9.3 X 2.4 |
| 240925 | 1 | O-RING D49.5X3 NITRIL |
| 241441 | 1 | O-RING D29.3X3 |
| 241883 | 1 | O-RING 3 X 39.2 NITRIL |
| 241978 | 1 | O-RING 64.5X3.0 |
| 242005 | 1 | O-RING D32.1X1.6 NITRIL |
| 280766 | 1 | SNAP-RING INNER 55X2 DIN 472 |
| 283754 | 1 | GAUGE 2.5'BR REAR PSI200 BAR16 |
| 320095 | 1 | FITT.DK NUT 1" BSP |
| 320821 | 1 | FITT.DK NUT 1-1/2" BSP |
| 321215 | 1 | FITT.DK HOUSING F. AGITATION |
| 322136 | 1 | HOUSING F.OPERATING UNIT EC |
| 322188 | 1 | BOTTOM PIECE F.BALL EC |
| 330315 | 1 | O-RING D18.4/D13X.6 |
| 330326 | 1 | O-RING D30/D24X2 F.1"NUT |
| 330341 | 1 | FITT.DK HB 1" F. 1" NUT |
| 331111 | 1 | VALVE SEAT FOR 1/2" DISTRIBUT. |
| 333314 | 1 | NOZZ.RESTRICTOR 600 BLUE |
| 333325 | 1 | NOZZ.RESTRICTOR 1202 RED |
| 333336 | 1 | NOZZ.RESTRICTOR 1302 WHITE |
| 333351 | 1 | NOZZ.RESTRICTOR 361 BLACK |
| 334050 | 1 | FITT.DK S-61 STR.1-1/4" |
| 334068 | 1 | FITT.DK S-61 STR.1" |
| 334100 | 1 | FITT.DK S-61 ELB.1" 110 DEG. |
| 334123 | 1 | FITT.DK HB 1-1/4"O-RNG F.1-1/2 |
| 334151 | 1 | FITT.DK S-61 ELB.1-1/4"110 DEG |
| 334551 | 1 | GRIP F.MAN.OP.EC ON/OFF GREEN |
| 334552 | 1 | GRIP F.MAN.OP.EC PRES.REG.GREE |
| 334558 | 1 | NUT HEX PLASTIC INSERT |
| 334681 | 1 | GRIP F.MAN.OP.EC PRES.REG.YELL |
| 390233 | 1 | FITT.DK REDUC 1-1/2" X 1" BSP |
| 411045 | 1 | SCREW M4 X 16MM STAINLESS |
| 440673 | 1 | SCREW F.PLASTIC 5X12 SS |
| 440677 | 1 | SCREW F. PLASTIC 5X20 SS |
| 470643 | 1 | WASHER LOCK |
| 480698 | 1 | PIN M5X16 SLOTTED |
| 614421 | 1 | GASKET F/MOTOR HOUSE-ON/OFF TR |
| 709741 | 1 | VALVE ASSY. 1/2" FLIP LEVER |
| 712471 | 1 | AGITATION VALVE ASSY. ON/OFF |
| 723446 | 1 | AGITATION VALVE ASSY. ADJUST. |
| 724530 | 1 | THUMB WHEEL FOR AGITATION |
| 728027 | 1 | BUSHING WITH SEAT |
| 728029 | 1 | HOUSING F.BALL MOUNT EC |
| 728033 | 1 | MOTOR UNIT F.PRES.REG.EC GREEN |
| 728090 | 1 | MOTOR UNIT F.ON/OFF EC GREEN |
| 740994 | 1 | PRESS REG.CONE&CYL. STD RATE |
| 10289203 | 1 | COUPLER FOR EC ELEC.CONTROL |
| 28030003 | 1 | CLAMP HOSE GEAR P1" 6716 |
| 28030103 | 1 | CLAMP HOSE GEAR P5/4-S1.5"6724 |
| 44076200 | 1 | SCREW WN5451 5X16 SS TORX |
| 70068303 | 1 | BRKT. PLATE F/PRES. CONT.2XNUT |
| 72005003 | 1 | REGULATOR MOTOR SUBST. |
| 72137100 | 1 | MCROSWCH ASSY F.PRSR REG WHT W |
| 72137300 | 1 | MCROSWCH ASSY F.PRSR REG BRN W |
| 72137400 | 1 | MCROSWCH ASSY F. ON/OFF VLV |



EC MASTER VALVE-ELEC. (GRN GRP)
B0270-HIN, 05:10:17

Page 2
Date 12.08.2020 9:25

| parts-n° | order qty | description |
|----------|-----------|--------------------------------|
| 92702403 | 1 | HOSE PVC SUCT GRAY 1" |
| 92712403 | 1 | HOSE R X1" X300PSI WP X0012" |
| 92734403 | 1 | HOSE R X5/4" X200PSI WP X0012" |
| 92738900 | 1 | HOSE R X PVC X 1-1/4" 0012" |



B0290



EC BOOM VALVE - ELEC. (RED GRP)
B0290-HIN, 01:01:16

Page 1
Date 12.08.2020 9:25

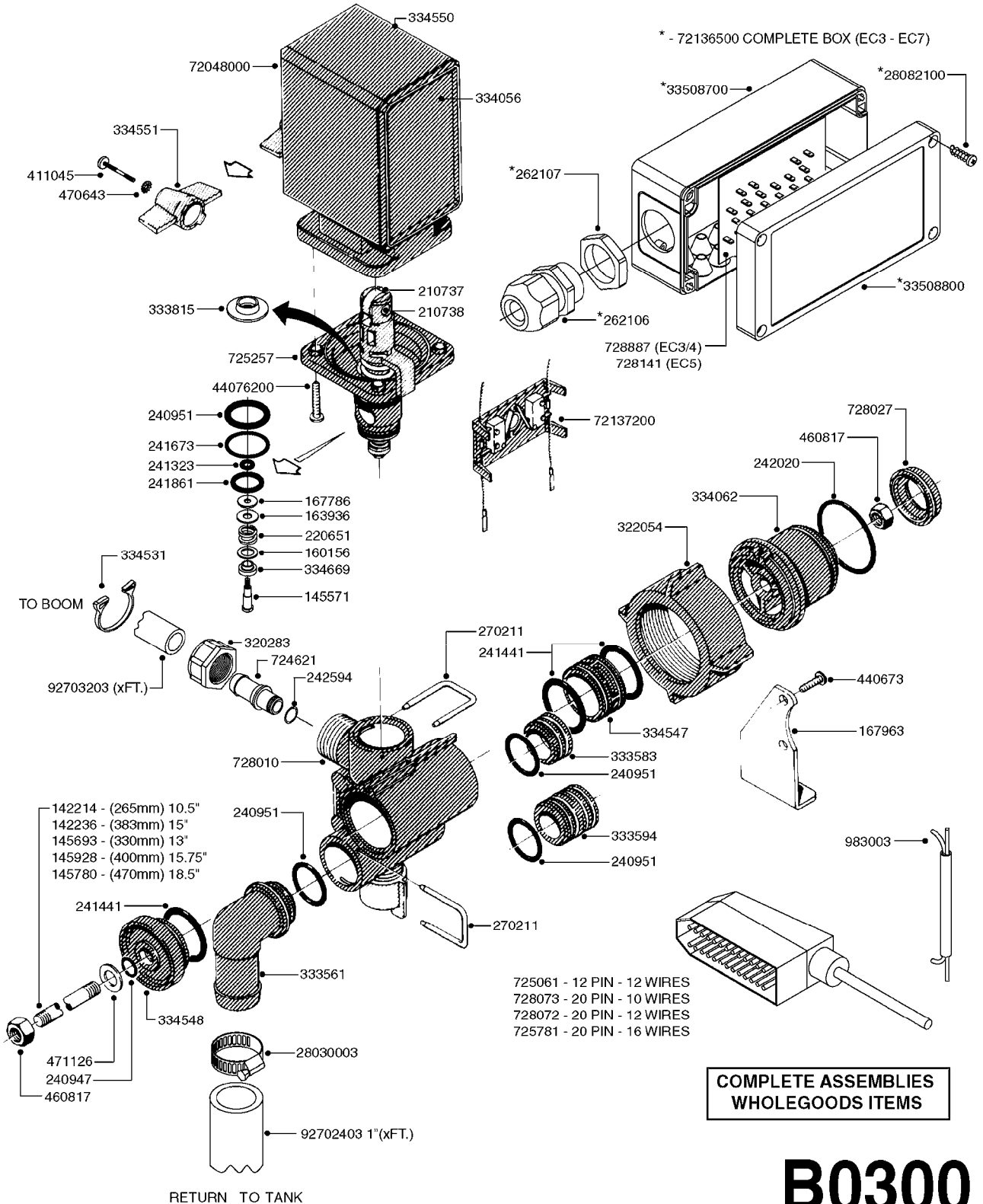
| parts-n° | order qty | description |
|----------|-----------|-----------------------------------|
| 142214 | 1 | STUD BOLT - M8X265, 3 SECTION |
| 145571 | 1 | STUD BOLT F/PNEUM. DISTRIBUTOR |
| 145693 | 1 | STUD BOLT - M8X330, 4 SECTION |
| 145780 | 1 | STUD BOLT - M8X470, 6 SECTION |
| 145928 | 1 | STUD BOLT - M8X400, 5 SECTION |
| 160156 | 1 | WASHER D14.1/D9.2X1 SS |
| 163936 | 1 | WASHER D15/D6.2X1 |
| 167786 | 1 | WASHER D13/D4.2X1 |
| 167963 | 1 | MOUNT BKT.F.EC BOOM SEC. |
| 168013 | 1 | MOUNT BRKT F.CONNECT BOX-NLA |
| 210737 | 1 | BEARING BALL D7 RSTO 5 TN |
| 210738 | 1 | PIN Ø7 L16 |
| 220651 | 1 | SPRING PRESSURE D12.5/5 |
| 240041 | 1 | O-RING D15.1/10.3 X 2.4 |
| 240947 | 1 | O-RING D7.3X2.4 NITRIL |
| 240951 | 1 | O-RING D21.2X3 NITRIL |
| 241323 | 1 | O-RING D5.3X2.4 NITRIL |
| 241673 | 1 | O-RING D22.1X1.6 |
| 241861 | 1 | O-RING D15.3X2.4 VITON |
| 241883 | 1 | O-RING 3 X 39.2 NITRIL |
| 242594 | 1 | O-RING D14 X 1.78 SCH.70-EPDM |
| 261062 | 1 | GROMMET |
| 261083 | 1 | GROMMET (PLASTIC)F.ELEC.CABLE |
| 261084 | 1 | NUT F.261083 GROMMET |
| 270211 | 1 | FITT.DK S25 FORK L=37.5 |
| 283603 | 1 | LID F. SQ.BOX 120X80X15 MM |
| 320283 | 1 | FITT.DK NUT 3/4"BSP |
| 322054 | 1 | UNION NUT BLACK S61 x 2 |
| 332205 | 1 | O-RING D43/39XD2 |
| 332415 | 1 | COVER |
| 333561 | 1 | FITT.DK ELB.1" EC RETURN |
| 333583 | 1 | END PIECE FOR BYPASS |
| 333594 | 1 | CONNECTING PIECE F. BYPASS |
| 333815 | 1 | DISTANCE RING |
| 334054 | 1 | GRIP F.MAN.OP.EC ON/OFF RED |
| 334056 | 1 | COVER F/MOTOR HOUSE EC DIST. |
| 334062 | 1 | CONNECT. BRANCH F/EC OP. UNIT |
| 334531 | 1 | CLAMP HOSE PLASTIC 3/4" |
| 334550 | 1 | MOTOR HOUSE SECT VALVE |
| 334669 | 1 | VALVE CONE D14/D7-SH 63 WHITE |
| 390202 | 1 | CONN.BOX EC OPER.UNIT |
| 410362 | 1 | BOLT HEX 8.8 SS M6X20 |
| 411045 | 1 | SCREW M4 X 16MM STAINLESS |
| 440636 | 1 | SCREW SHEET-METAL 1/2" NO 12 |
| 450763 | 1 | SCREW M4X25 |
| 460261 | 1 | NUT HEX M6X1.00 LOCK DIN985 A2 SS |
| 460666 | 1 | NUT HEX M4 |
| 460817 | 1 | NUT HEX M8 STAINLESS DIN 934 |
| 470643 | 1 | WASHER LOCK |
| 471125 | 1 | WASHER M6U 6.4X14X1.2,A2 SS |
| 471126 | 1 | WASHER, M8, Ø16/ 8.4X 1.6, SS |
| 724621 | 1 | FITT.DK HB 3/4"ASSY F.3/4" NUT |
| 725061 | 1 | CABLE - EC 12WIRE L=6000mm |
| 725257 | 1 | SPINDLE SECT. F/EC DISTRIBUTOR |
| 727114 | 1 | CONNECTOR BOX WITH CABLE |
| 728027 | 1 | BUSHING WITH SEAT |
| 728072 | 1 | CABLE,20-PIN,6M EC/4 |
| 728073 | 1 | CABLE,20-PIN,6M, EC/3 |
| 728141 | 1 | CIRCUIT BOARD F.EC7 CONN. BOX |
| 728887 | 1 | CIRCUIT BOARD EC CONTROL |
| 732265 | 1 | DISTRIB HOUSING W/CONST PR RED |



EC BOOM VALVE - ELEC.(RED GRP)
B0290-HIN, 01:01:16

Page 2
Date 12.08.2020 9:25

| parts-n° | order qty | description |
|----------|-----------|--------------------------------|
| 983003 | 1 | CABLE ELEC.2X1MM WIRE BLACK EC |
| 10449903 | 1 | ELEC.CONNECTOR FOR EC JUNC.BOX |
| 28030003 | 1 | CLAMP HOSE GEAR P1" 6716 |
| 72048000 | 1 | MOTOR, DISTRIBUTION 1:300 |
| 72137200 | 1 | MCROSWCH ASSY F.BOOM VLV 300:1 |
| 92702403 | 1 | HOSE PVC SUCT GRAY 1" |
| 92703203 | 1 | HOSE R X3/4" X300PSI WP X0012" |





EC BOOM VALVE-ELEC.(GRN GRIP)
B0300-HIN, 01:01:16

Page 1
Date 12.08.2020 9:25

| parts-n° | order qty | description |
|----------|-----------|-----------------------------------|
| 142214 | 1 | STUD BOLT - M8X265, 3 SECTION |
| 142236 | 1 | STUD BOLT 8 X 381 - 8 MODULS |
| 145571 | 1 | STUD BOLT F/PNEUM. DISTRIBUTOR |
| 145693 | 1 | STUD BOLT - M8X330, 4 SECTION |
| 145780 | 1 | STUD BOLT - M8X470, 6 SECTION |
| 145928 | 1 | STUD BOLT - M8X400, 5 SECTION |
| 160156 | 1 | WASHER D14.1/D9.2X1 SS |
| 163936 | 1 | WASHER D15/D6.2X1 |
| 167786 | 1 | WASHER D13/D4.2X1 |
| 167963 | 1 | MOUNT BKT.F.EC BOOM SEC. |
| 210737 | 1 | BEARING BALL D7 RSTO 5 TN |
| 210738 | 1 | PIN Ø7 L16 |
| 220651 | 1 | SPRING PRESSURE D12.5/5 |
| 240947 | 1 | O-RING D7.3X2.4 NITRIL |
| 240951 | 1 | O-RING D21.2X3 NITRIL |
| 241323 | 1 | O-RING D5.3X2.4 NITRIL |
| 241441 | 1 | O-RING D29.3X3 |
| 241673 | 1 | O-RING D22.1X1.6 |
| 241861 | 1 | O-RING D15.3X2.4 VITON |
| 242020 | 1 | O-RING 39.2 X 3 VITON |
| 242594 | 1 | O-RING D14 X 1.78 SCH.70-EPDM |
| 262106 | 1 | BULKHEAD F. CABLE 6.5-14 BLACK |
| 262107 | 1 | NUT F. BULKHEAD CABLE GRAY |
| 270211 | 1 | FITT.DK S25 FORK L=37.5 |
| 320283 | 1 | FITT.DK NUT 3/4"BSP |
| 322054 | 1 | UNION NUT BLACK S61 x 2 |
| 333561 | 1 | FITT.DK ELB.1" EC RETURN |
| 333583 | 1 | END PIECE FOR BYPASS |
| 333594 | 1 | CONNECTING PIECE F. BYPASS |
| 333815 | 1 | DISTANCE RING |
| 334056 | 1 | COVER F/MOTOR HOUSE EC DIST. |
| 334062 | 1 | CONNECT. BRANCH F/EC OP. UNIT |
| 334531 | 1 | CLAMP HOSE PLASTIC 3/4" |
| 334547 | 1 | CONNECTING PIECE F. PRESSURE |
| 334548 | 1 | END COVER |
| 334550 | 1 | MOTOR HOUSE SECT VALVE |
| 334551 | 1 | GRIP F.MAN.OP.EC ON/OFF GREEN |
| 334669 | 1 | VALVE CONE D14/D7-SH 63 WHITE |
| 411045 | 1 | SCREW M4 X 16MM STAINLESS |
| 440673 | 1 | SCREW F.PLASTIC 5X12 SS |
| 460817 | 1 | NUT HEX M8 STAINLESS DIN 934 |
| 470643 | 1 | WASHER LOCK |
| 471126 | 1 | WASHER, M8, Ø16/ 8.4X 1.6, SS |
| 724621 | 1 | FITT.DK HB 3/4"ASSY F.3/4" NUT |
| 725061 | 1 | CABLE - EC 12WIRE L=6000mm |
| 725257 | 1 | SPINDLE SECT. F/EC DISTRIBUTOR |
| 725781 | 1 | CONNECTING CABLE L=6000-AC 5 |
| 728010 | 1 | DISTRIB HOUSING W/CONST PR GRN |
| 728027 | 1 | BUSHING WITH SEAT |
| 728072 | 1 | CABLE,20-PIN,6M EC/4 |
| 728073 | 1 | CABLE,20-PIN,6M, EC/3 |
| 728141 | 1 | CIRCUIT BOARD F.EC7 CONN. BOX |
| 728887 | 1 | CIRCUIT BOARD EC CONTROL |
| 983003 | 1 | CABLE ELEC.2X1MM WIRE BLACK EC |
| 28030003 | 1 | CLAMP HOSE GEAR P1" 6716 |
| 28082100 | 1 | SCREW F. BOX LID 1/4" L=20 |
| 33508700 | 1 | BOX BOTTOM 160X80X40 BLACK 1-HOLE |
| 33508800 | 1 | LID 160X80X15 BLK W/SCREWS |
| 44076200 | 1 | SCREW WN5451 5X16 SS TORX |
| 72048000 | 1 | MOTOR, DISTRIBUTION 1:300 |
| 72136500 | 1 | UNIV. CONNECTION BOX F. EC |

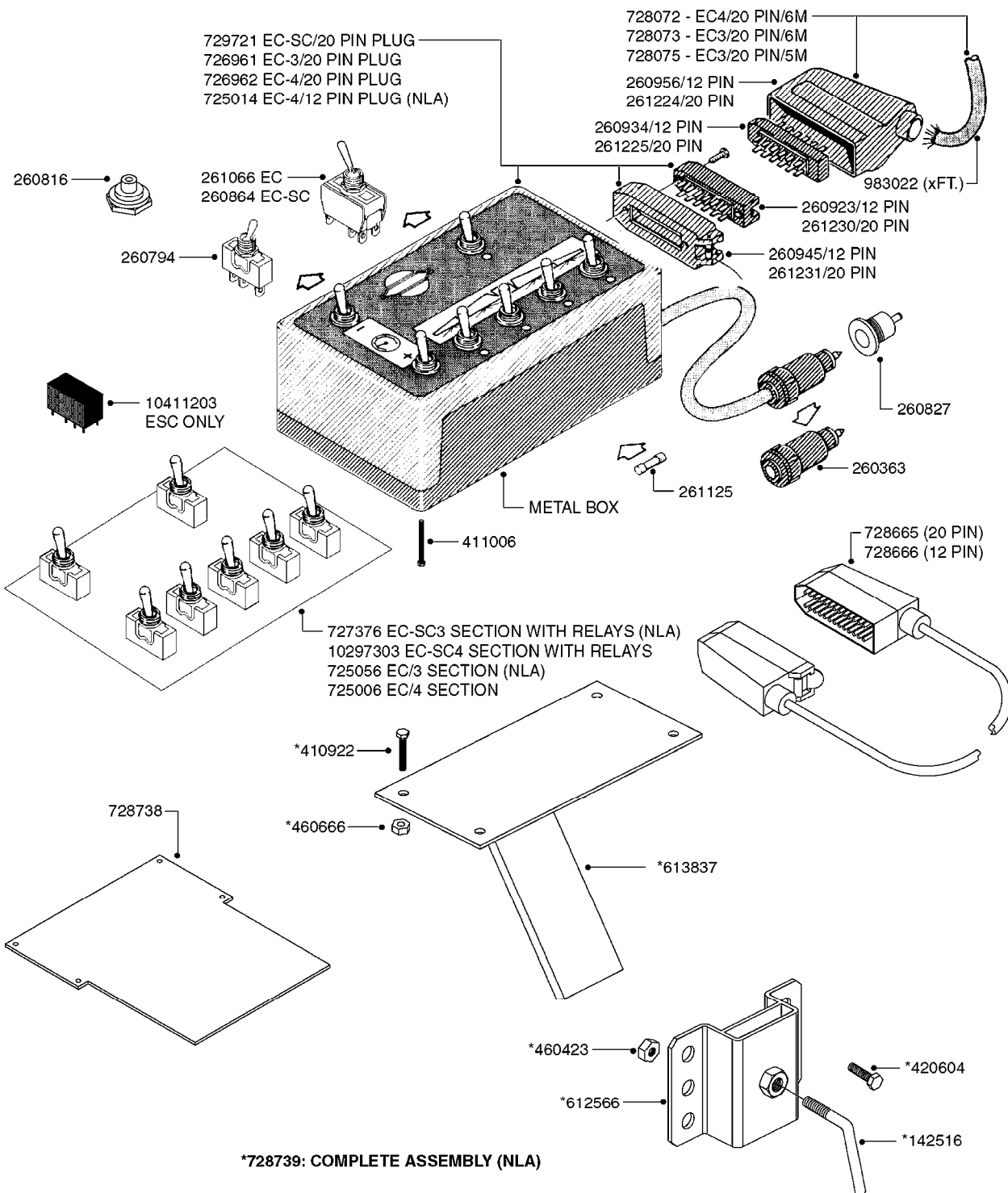


EC BOOM VALVE-ELEC. (GRN GRIP)
B0300-HIN, 01:01:16

Page 2

Date 12.08.2020 9:25

| parts-n° | order qty | description |
|----------|-----------|--------------------------------|
| 72137200 | 1 | MCROSWCH ASSY F.BOOM VLV 300:1 |
| 92702403 | 1 | HOSE PVC SUCT GRAY 1" |
| 92703203 | 1 | HOSE R X3/4" X300PSI WP X0012" |



COMPLETE ASSEMBLIES
WHOLEGOODS ITEMS

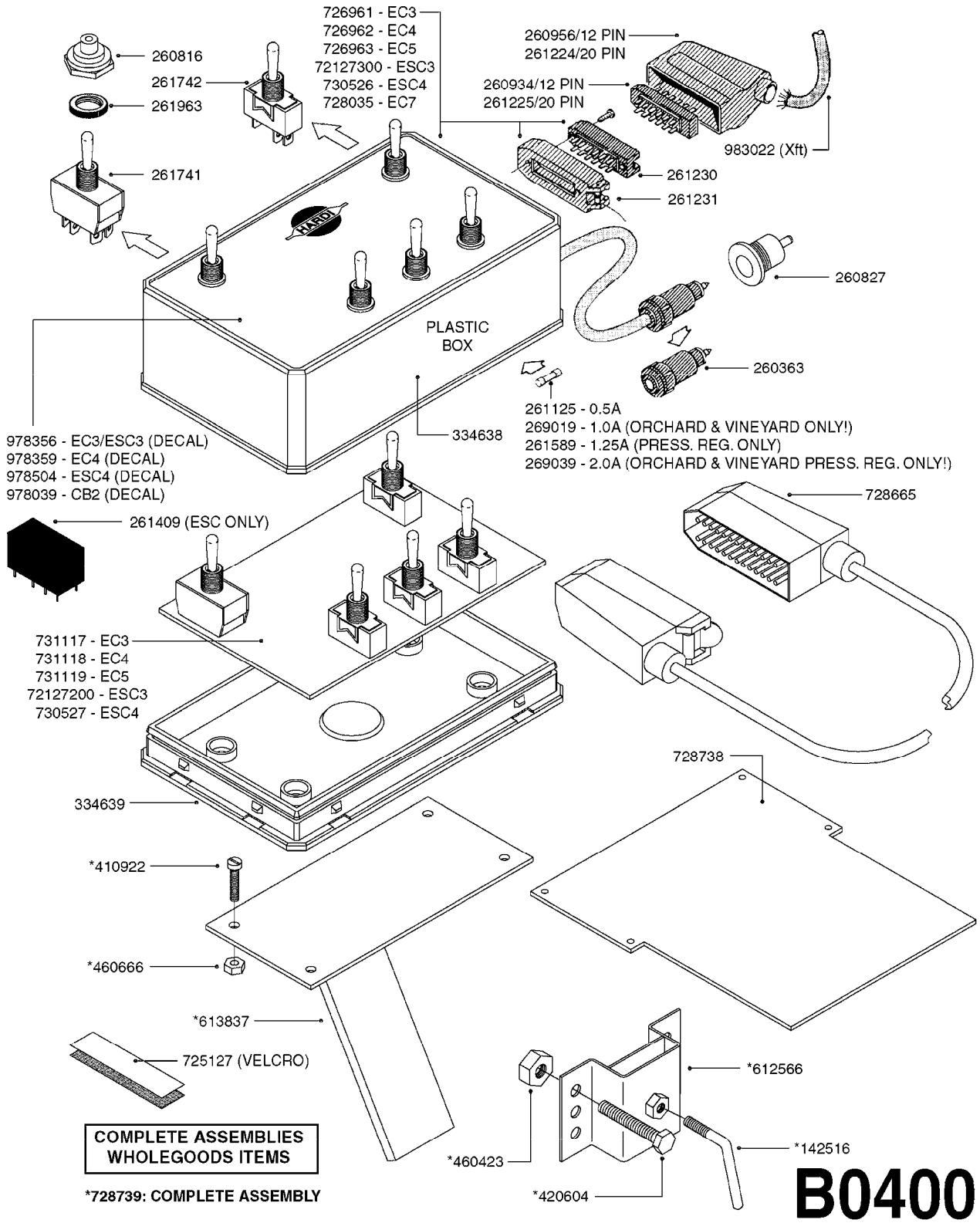
B0390



CONTROL BOX F/EC+EC-SC
B0390-HIN, 01:01:16

Page 1
Date 12.08.2020 9:25

| parts-n° | order qty | description |
|----------|-----------|-----------------------------------|
| 142516 | 1 | SCREW SET M10 BENT F. LOCKING |
| 260363 | 1 | PLUG 2 POLE 12V |
| 260794 | 1 | SWITCH F.PRESS ADJ.EC CONTROL |
| 260816 | 1 | CAP W/RUBBER BOOT F.EC SWITCH |
| 260827 | 1 | PLUG F.EC ATTACHMENTS |
| 260864 | 1 | SWITCH F.HY BOOM CONTROL BOX |
| 260923 | 1 | PLUG INSERT 12 POLE FEMALE |
| 260934 | 1 | PLUG INSERT 12 POLE MALE |
| 260945 | 1 | PLUG HOUSE 12 POLE FEMALE |
| 260956 | 1 | PLUG HOUSE 12 POL.MALE |
| 261066 | 1 | SWITCH 2 POLE |
| 261125 | 1 | FUSE 5 X 20 500mA |
| 261224 | 1 | PLUG HOUSING F/20 POLE MALE |
| 261225 | 1 | PLUG INSERT 20 POLE MALE |
| 261230 | 1 | PLUG INSERT 20 POLE FEMALE |
| 261231 | 1 | PLUG HOUSING 20 POLE FEMALE |
| 410922 | 1 | CYL.SKR 8.8 DEL M4X20 RST |
| 411006 | 1 | SCREW M4X40 SLOTTED |
| 420604 | 1 | BOLT HEX 8.8 DEL M10X25 FT DIN933 |
| 460423 | 1 | NUT HEX M10X1.50 LOCK DIN985A2 SS |
| 460666 | 1 | NUT HEX M4 |
| 612566 | 1 | MOUNT BRACKET F.FAN CABLE ASSY |
| 613837 | 1 | MOUNT PLATE FOR EC CONTROL BOX |
| 725006 | 1 | CIRCUIT BOARD 4 VALVE |
| 725014 | 1 | CONTROL BOX EC 4 SEC./12 PIN |
| 725056 | 1 | PRINTED CIRC.W SW 3WAY 726961 |
| 726961 | 1 | CONTROL BOX EC 3 SEC./20 PIN |
| 726962 | 1 | CONTROL BOX EC 4 SEC./20 PIN |
| 727376 | 1 | CIRCUIT BOARD F.ESC 3 BANK |
| 728072 | 1 | CABLE,20-PIN,6M EC/4 |
| 728073 | 1 | CABLE,20-PIN,6M, EC/3 |
| 728075 | 1 | CABLE F.CONTROL BOX 5M EC/3 |
| 728665 | 1 | CABLE EXT.-QUICK ATTACH 20 PIN |
| 728666 | 1 | CABLE-QUICK ATTACH 12 PIN |
| 728738 | 1 | DOUB.CONT.BOX & OR F/M PLATE |
| 728739 | 1 | IN CAB CONTROL MOUNT KIT |
| 729721 | 1 | CONTROL BOX ESC3 |
| 983022 | 1 | WIRE 12 x 0.5 x 2MM x 12" |
| 10297303 | 1 | CIRCUIT BOARD FOR T.M.S. |
| 10411203 | 1 | RELAY T-82 |





CONTROL BOX F/EC + ECSC POST96
B0400-HIN, 01:01:16

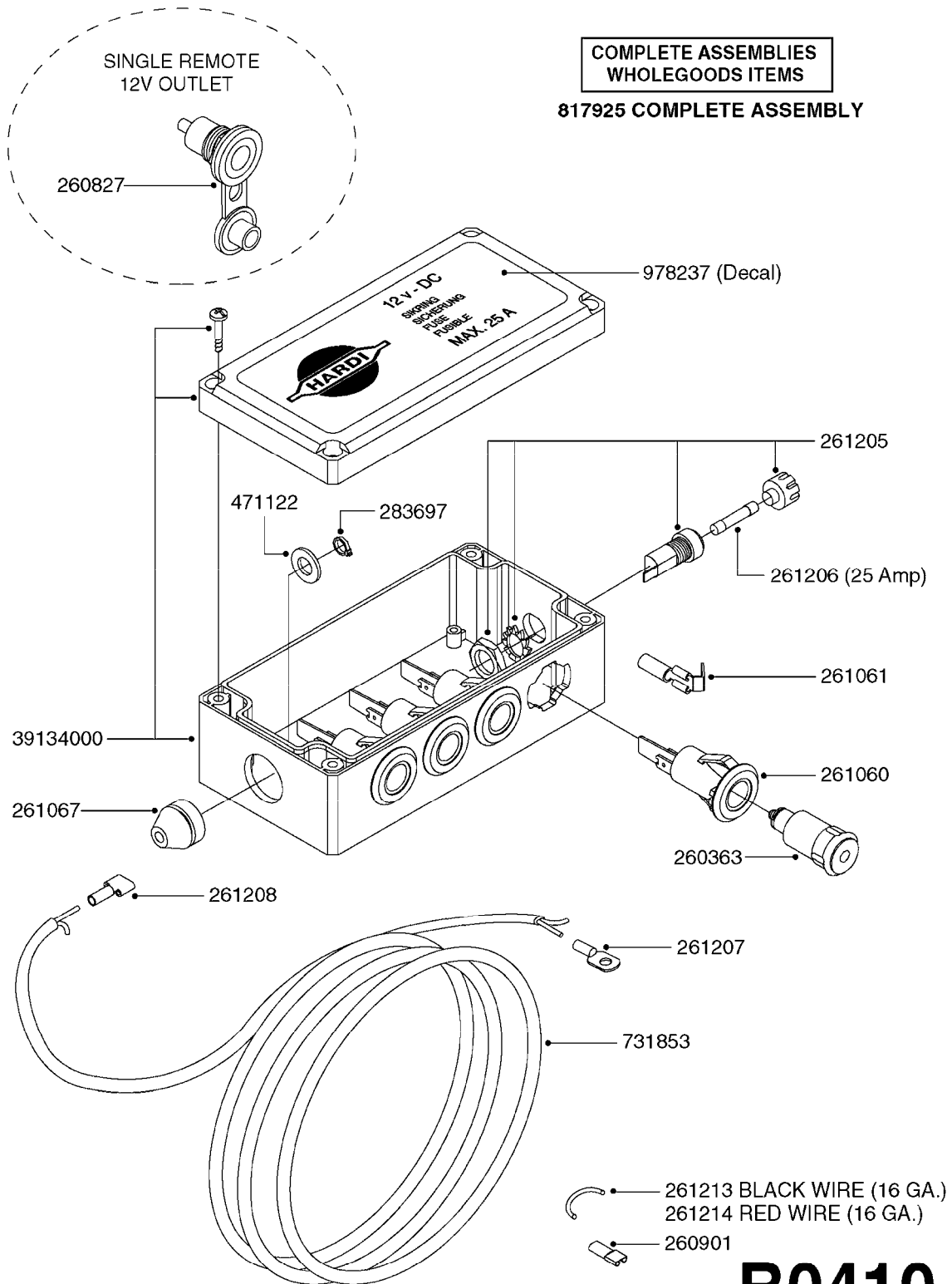
Page 1
Date 12.08.2020 9:25

| parts-n° | order qty | description |
|----------|-----------|-----------------------------------|
| 142516 | 1 | SCREW SET M10 BENT F. LOCKING |
| 260363 | 1 | PLUG 2 POLE 12V |
| 260816 | 1 | CAP W/RUBBER BOOT F.EC SWITCH |
| 260827 | 1 | PLUG F.EC ATTACHMENTS |
| 260934 | 1 | PLUG INSERT 12 POLE MALE |
| 260956 | 1 | PLUG HOUSE 12 POL.MALE |
| 261125 | 1 | FUSE 5 X 20 500mA |
| 261224 | 1 | PLUG HOUSING F/20 POLE MALE |
| 261225 | 1 | PLUG INSERT 20 POLE MALE |
| 261230 | 1 | PLUG INSERT 20 POLE FEMALE |
| 261231 | 1 | PLUG HOUSING 20 POLE FEMALE |
| 261409 | 1 | RELAY 12V F. ESC CNTRL BOX '96 |
| 261589 | 1 | FUSE 5 X 20 1.25 AMP |
| 261741 | 1 | SWITCH 2 POLE 12V TOGGLE PRESS |
| 261742 | 1 | SWITCH 2 POLE 12V ON/OFF |
| 261963 | 1 | NUT F.EC SWITCH |
| 269019 | 1 | FUSE 5 X 20 1.0 AMP |
| 269039 | 1 | FUSE 5 X 20 2.0 AMP |
| 334638 | 1 | HOUSING F.EC PLASTIC BOX UPPER |
| 334639 | 1 | COVER F.EC PLASTIC BOX -LOWER |
| 410922 | 1 | CYL.SKR 8.8 DEL M4X20 RST |
| 420604 | 1 | BOLT HEX 8.8 DEL M10X25 FT DIN933 |
| 460423 | 1 | NUT HEX M10X1.50 LOCK DIN985A2 SS |
| 460666 | 1 | NUT HEX M4 |
| 612566 | 1 | MOUNT BRACKET F.FAN CABLE ASSY |
| 613837 | 1 | MOUNT PLATE FOR EC CONTROL BOX |
| 725127 | 1 | VELCRO KIT |
| 726961 | 1 | CONTROL BOX EC 3 SEC./20 PIN |
| 726962 | 1 | CONTROL BOX EC 4 SEC./20 PIN |
| 726963 | 1 | CONTROL BOX EC 5 SEC./20 PIN |
| 728035 | 1 | CONTROL BOX EC 7 SEC. |
| 728665 | 1 | CABLE EXT.-QUICK ATTACH 20 PIN |
| 728738 | 1 | DOUB.CONT.BOX & OR F/M PLATE |
| 728739 | 1 | IN CAB CONTROL MOUNT KIT |
| 730526 | 1 | CON BX 4SEC/20PIN alt72127400 |
| 730527 | 1 | CIRCUIT B.ESC4 PLAST.W/SWITCH |
| 731117 | 1 | CIRCUIT B.EC3 PLASTIC W/SWITCH |
| 731118 | 1 | CIRCUIT B.EC4 PLASTIC W/SWITCH |
| 731119 | 1 | CIRCUIT B.EC5 PLASTIC W/SWITCH |
| 978039 | 1 | DECAL CONTROL BOX CB4 MISTBLOW |
| 978356 | 1 | DECAL CONTRL BOX EVC/ESC3 ABS |
| 978359 | 1 | DECAL CONTROL BOX EC4 ABS |
| 978504 | 1 | DECAL CONTROL BOX ESC4 ABS |
| 983022 | 1 | WIRE 12 x 0.5 x 2MM x 12" |
| 72127200 | 1 | CIRCUIT B.ESC3 PLAST.W/SWITCH |
| 72127300 | 1 | CONTROL BOX ESC 3 SEC./20 PIN |



12 VOLT OUTLET BOX
B0410-HIN, 01:01:16

Page 0
Date 12.08.2020 9:25



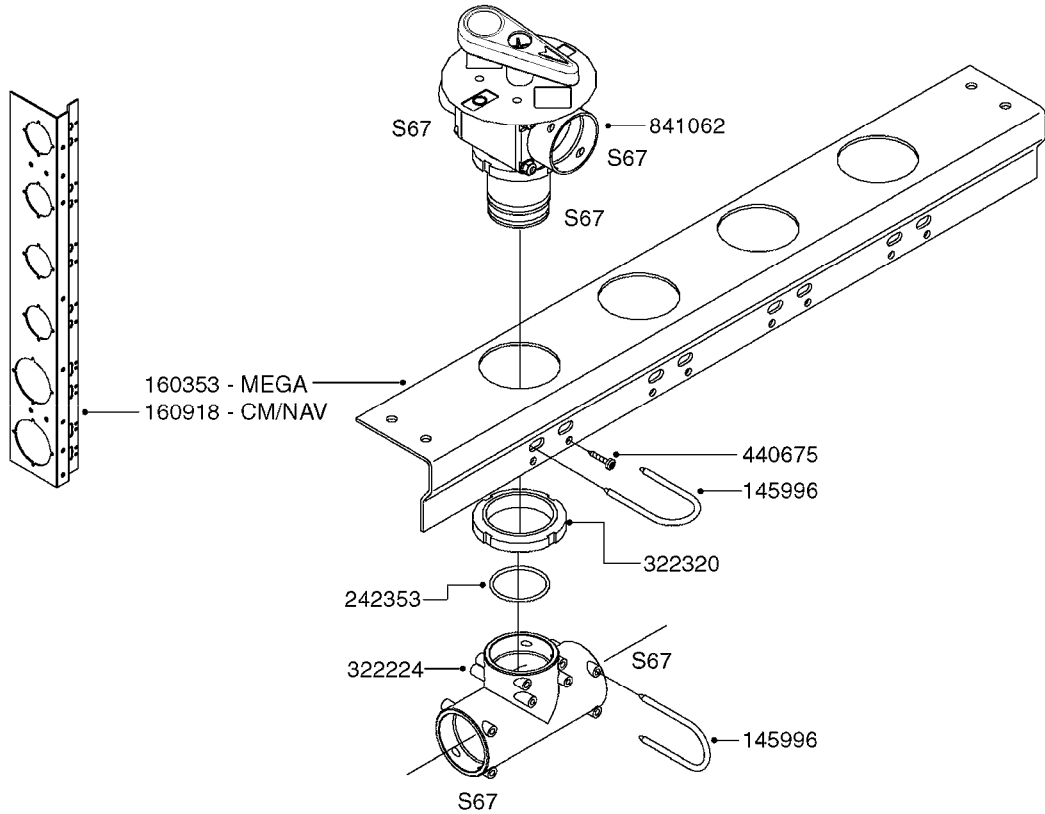
B0410



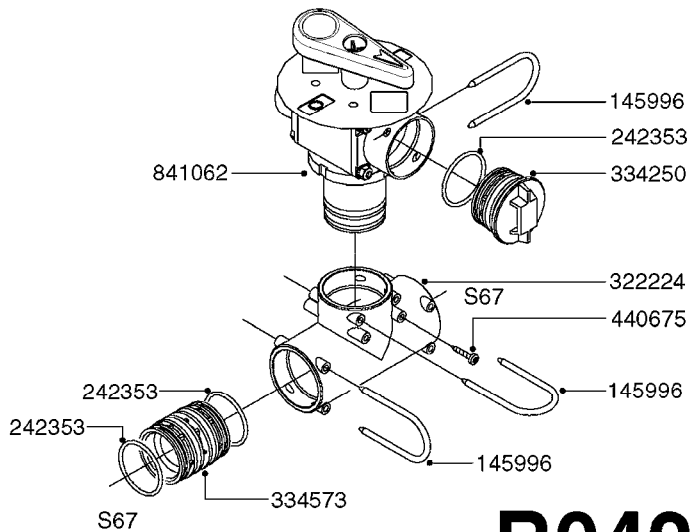
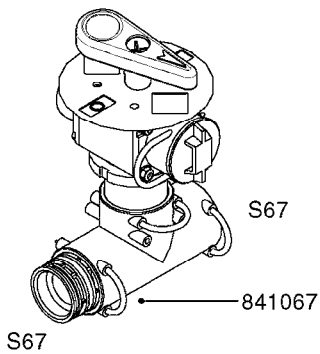
12 VOLT OUTLET BOX
B0410-HIN, 01:01:16

Page 1
Date 12.08.2020 9:25

| parts-n° | order qty | description |
|----------|-----------|--------------------------------|
| 260363 | 1 | PLUG 2 POLE 12V |
| 260827 | 1 | PLUG F.EC ATTACHMENTS |
| 260901 | 1 | SPADE F.ELEC CONN.1.5MM BLUE |
| 261060 | 1 | PLUG F.EC ATTACHMENTS |
| 261061 | 1 | SPADE F.ELEC.2 WAY CONNECTOR |
| 261067 | 1 | GROMMET 10-14 GREY |
| 261205 | 1 | FUSE HOLDER |
| 261206 | 1 | FUSE 25 A |
| 261207 | 1 | ELECTRIC CONNECTOR 4MM |
| 261208 | 1 | SPADE F.ELEC.CONNECTOR 4MM |
| 261213 | 1 | WIRE 6.4MM BLACK |
| 261214 | 1 | WIRE 6.4MM RED |
| 283697 | 1 | TIESTRAP 200MM |
| 471122 | 1 | WASHER, M10, Ø20/10.5X 2.0, SS |
| 731853 | 1 | CABLE 2X4MM L=138" |
| 817925 | 1 | OUTLET BOX 12 VOLT ELEC. |
| 978237 | 1 | DECAL OUTLET BOX |
| 39134000 | 1 | BOX, COMPLETE, 12V POWER BOX |



FOR S67 FITTINGS
SEE PAGE L0100



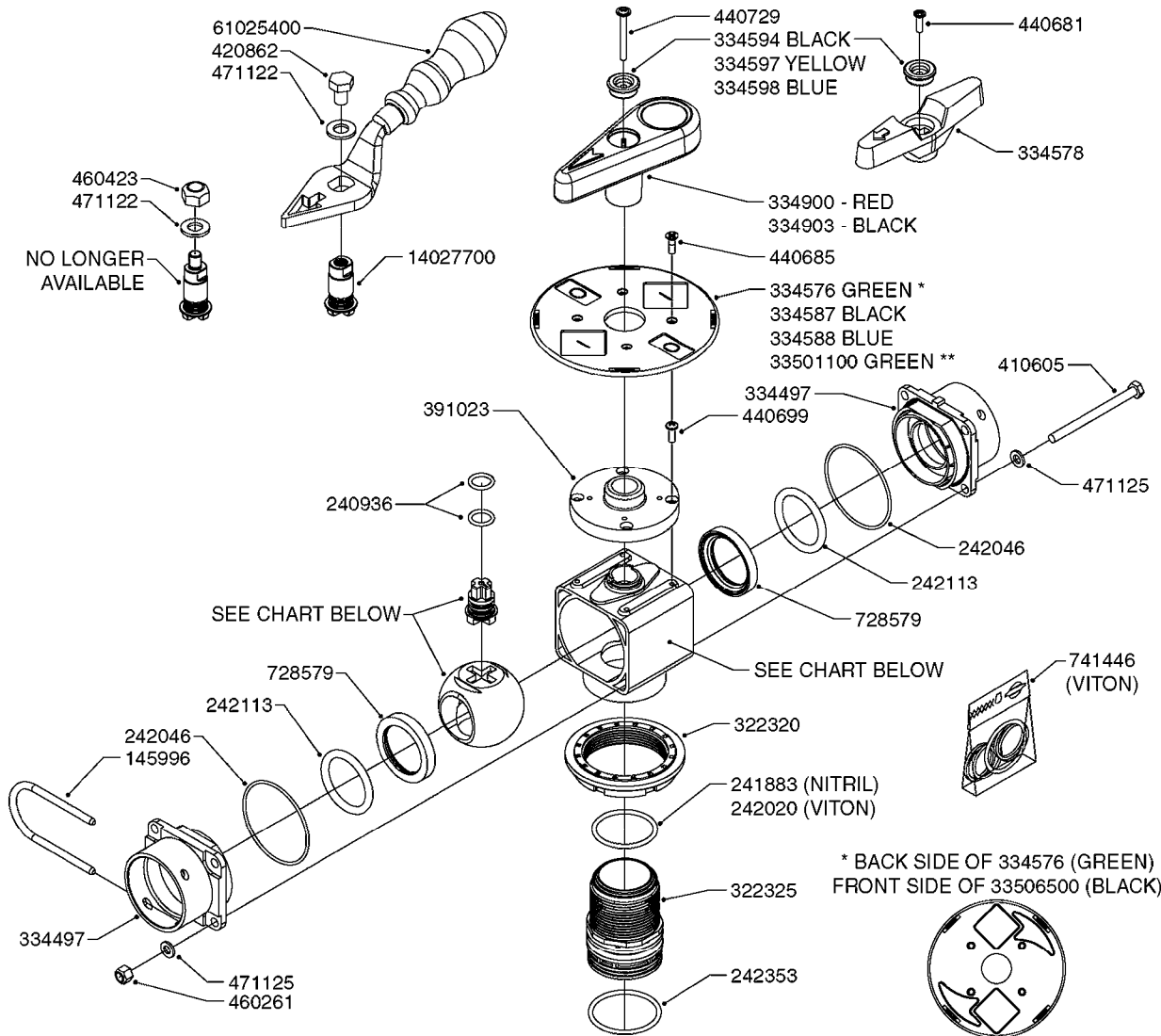
B0420



MANIFOLD SYSTEM - PRESSURE
B0420-HIN, 01:01:16

Page 1
Date 12.08.2020 9:25

| parts-n° | order qty | description |
|----------|-----------|--------------------------------|
| 145996 | 1 | FITT.DK S-67 FORK |
| 160353 | 1 | BRACKET F.PRESSURE MANIFOLD |
| 160918 | 1 | BRACKET F. MANIFOLD CM |
| 242353 | 1 | O-RING 3 X 44.2 VITON |
| 322224 | 1 | FITT.DK S-67 TEE |
| 322320 | 1 | NUT F.3 WAY VALVE S56 |
| 334250 | 1 | FITT.DK S-67 PLUG |
| 334573 | 1 | FITT.DK S-67 CONNECTOR |
| 440675 | 1 | SCREW F. PLASTIC 5X16 SS |
| 841062 | 1 | VALVE KIT S67 PRESS. MANIFOLD |
| 841067 | 1 | VALVE S67 PRESS.W/TEE MANIFOLD |



| | | | | | | |
|----------|--------|----------|--------|--------|--------|----------|
| | | | | | - | |
| 728391 | 334594 | 334576 | 390204 | 390623 | - | 334600 |
| 728393 | 334598 | 334588 | 390238 | 390251 | - | 334600 |
| 728945 | 334597 | - | 390262 | 390777 | - | 334600 |
| 729796 | 334594 | 334587 | 390204 | 390623 | - | 334600 |
| 840062 | 334594 | 334576 | 391180 | 390623 | - | 334600 |
| 841062 | 334594 | 334576 | 390204 | 390623 | - | 334600 |
| 72113700 | 334594 | 334576 | 391180 | 390623 | - | 334600 |
| 72172100 | - | 33501100 | 391039 | 390623 | 391023 | 14027700 |
| 72172200 | - | - | 391039 | 390623 | - | 334600 |
| 72283600 | 334594 | 33506500 | 391180 | 390623 | 391023 | 334600 |
| 72292500 | - | - | 391180 | 390623 | - | 14027700 |
| 72538000 | - | - | 391039 | 390623 | 391023 | 14075700 |
| 72691600 | 334594 | 334587 | 390262 | 390623 | - | 334600 |

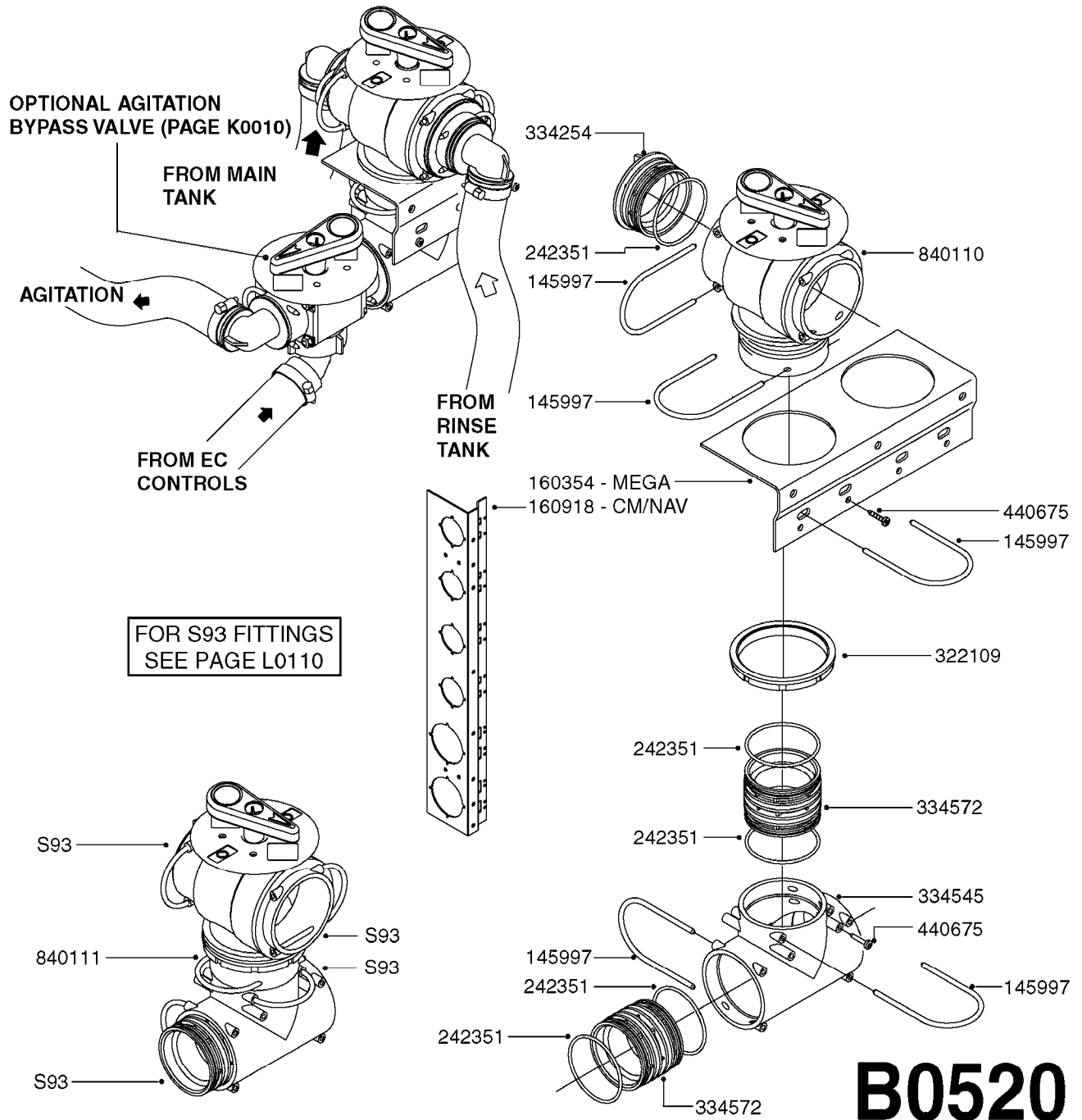
B0430



MANIFOLD - S67 VALVE
B0430-HIN, 12:09:19

Page 1
Date 12.08.2020 9:25

| parts-n° | order qty | description |
|----------|-----------|-----------------------------------|
| 145996 | 1 | FITT.DK S-67 FORK |
| 240936 | 1 | O-RING D13.3X2.4 NITRIL |
| 241883 | 1 | O-RING 3 X 39.2 NITRIL |
| 242020 | 1 | O-RING 39.2 X 3 VITON |
| 242046 | 1 | O-RING D60X2 |
| 242113 | 1 | O-RING D37.5X5.3 VITON |
| 242353 | 1 | O-RING 3 X 44.2 VITON |
| 322320 | 1 | NUT F.3 WAY VALVE S56 |
| 322325 | 1 | FITT.DK S-67 X 1-1/2"BSP LONG |
| 334497 | 1 | END COVER 3 WAY VALVE S-67 |
| 334576 | 1 | FACE PLATE F. BALL VALVE GREEN |
| 334578 | 1 | HANDLE FOR VALVE 'OLD' STYLE |
| 334587 | 1 | FACE PLATE F.BALL VALVE BLACK |
| 334588 | 1 | FACE PLATE F. BALL VALVE BLUE |
| 334594 | 1 | PLUG F.VALVE HANDLE BLACK |
| 334597 | 1 | PLUG F.VALVE HANDLE YELLOW |
| 334598 | 1 | PLUG F.VALVE HANDLE BLUE |
| 334600 | 1 | SPINDLE F.3 WAY VALVE |
| 334900 | 1 | HANDLE F.3 WAY VALVE TALL '00 |
| 334903 | 1 | HANDLE S67/93 VALVE BLACK |
| 390204 | 1 | BALL F. 3 WAY SUCTION VALVE |
| 390238 | 1 | BALL F. 3 WAY PRESSURE VALVE |
| 390251 | 1 | MOTOR HOUSING F. 3-WAY VALVE |
| 390262 | 1 | BALL F. 2 WAY VALVE |
| 390623 | 1 | HOUSING F.3 WAY VALVE |
| 390777 | 1 | HOUSING F.BALL VALVE 3 WAY |
| 391023 | 1 | SMART VALVE MOUNTING BRACKET |
| 391039 | 1 | BALL F. S67 SMART VALVE |
| 391180 | 1 | BALL F. AGITATOR S67 ARE 268 |
| 410605 | 1 | BOLT HEX 8.8 DEL M6X80 |
| 420862 | 1 | BOLT HEX 8.8 DEL M10X16 FT |
| 440681 | 1 | SCREW F. PLASTIC 4MM X 14LG SS |
| 440685 | 1 | SCREW F.PLASTIC 4X14 SS C-SUNK |
| 440699 | 1 | SCREW F. PLASTIC 4MMM X12LG SS |
| 440729 | 1 | SCREW F. PLASTIC 4MM X40LG SS |
| 460261 | 1 | NUT HEX M6X1.00 LOCK DIN985 A2 SS |
| 460423 | 1 | NUT HEX M10X1.50 LOCK DIN985A2 SS |
| 471122 | 1 | WASHER, M10, Ø20/10.5X 2.0, SS |
| 471125 | 1 | WASHER M6U 6.4X14X1.2,A2 SS |
| 728391 | 1 | VALVE S67 PRESSURE MANIFOLD |
| 728393 | 1 | VALVE 3 WAY F.AGITAT.SHUTOFF |
| 728579 | 1 | SEAL F BALL |
| 728945 | 1 | VALVE 2-WAY YELLOW W.S-67 ENDS |
| 729796 | 1 | VALVE S-67 MANUAL D33 J-D |
| 741446 | 1 | REPAIR KIT F.S67 VALVE - VITON |
| 840062 | 1 | VALVE S67 PRESSURE AGITATION |
| 841062 | 1 | VALVE KIT S67 PRESS. MANIFOLD |
| 14027700 | 1 | SPINDLE F.SMART VALVE S67 L=36 |
| 14075700 | 1 | SPINDLE F.SMART VALVE S67 L=81 |
| 33501100 | 1 | FACE PLATE F.SMART VALVE GREEN |
| 33506500 | 1 | FACE PLATE F.BALL VALVE BLACK |
| 61025400 | 1 | HANDLE SMART VALVE |
| 72113700 | 1 | VALVE, VARIABLE AGITATION |
| 72172100 | 1 | VALVE S67 "V1" SMART VALVE |
| 72172200 | 1 | VALVE S67 "V2" SMART VALVE |
| 72283600 | 1 | VALVE S67 AGITATION NCM |
| 72292500 | 1 | VALVE S67 SMART VALVE NEW NAV |
| 72538000 | 1 | VALVE S67, LONG SPINDLE |
| 72691600 | 1 | VALVE, S67, 2-WAY F. FILLER |





MANIFOLD SYSTEM - SUCTION
B0520-HIN, 01:01:16

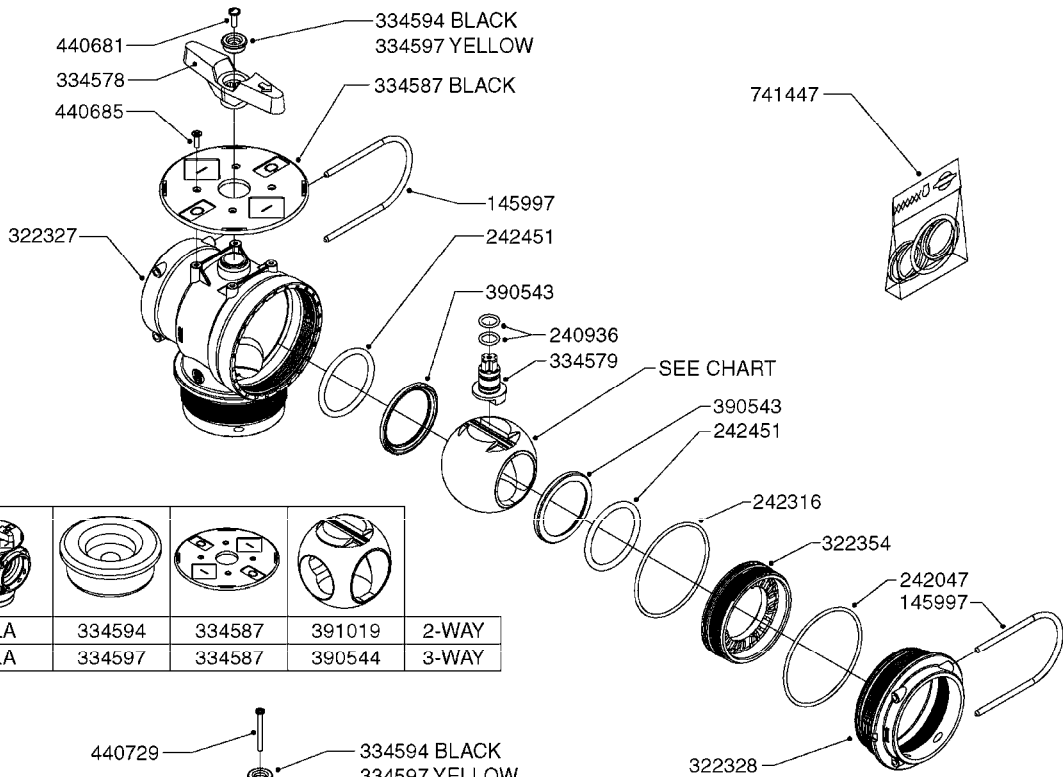
Page 1
Date 12.08.2020 9:25

| parts-n° | order qty | description |
|----------|-----------|--------------------------------|
| 145997 | 1 | FITT.DK S-93 FORK |
| 160354 | 1 | BRACKET F.SUCTION MANIFOLD |
| 160918 | 1 | BRACKET F. MANIFOLD CM |
| 242351 | 1 | O-RING D69.5X3.0 VITON F.S-93 |
| 322109 | 1 | FITT.DK S-93 BULKHEAD NUT |
| 334254 | 1 | FITT.DK S-93 PLUG |
| 334545 | 1 | FITT.DK S-93 TEE |
| 334572 | 1 | FITT.DK S-93 ADAPTOR MALE MALE |
| 440675 | 1 | SCREW F. PLASTIC 5X16 SS |
| 840110 | 1 | VALVE SUCTION S-93 F.MANIFOLD |
| 840111 | 1 | VALVE SUCTION 3 WAY S-93 W.TEE |



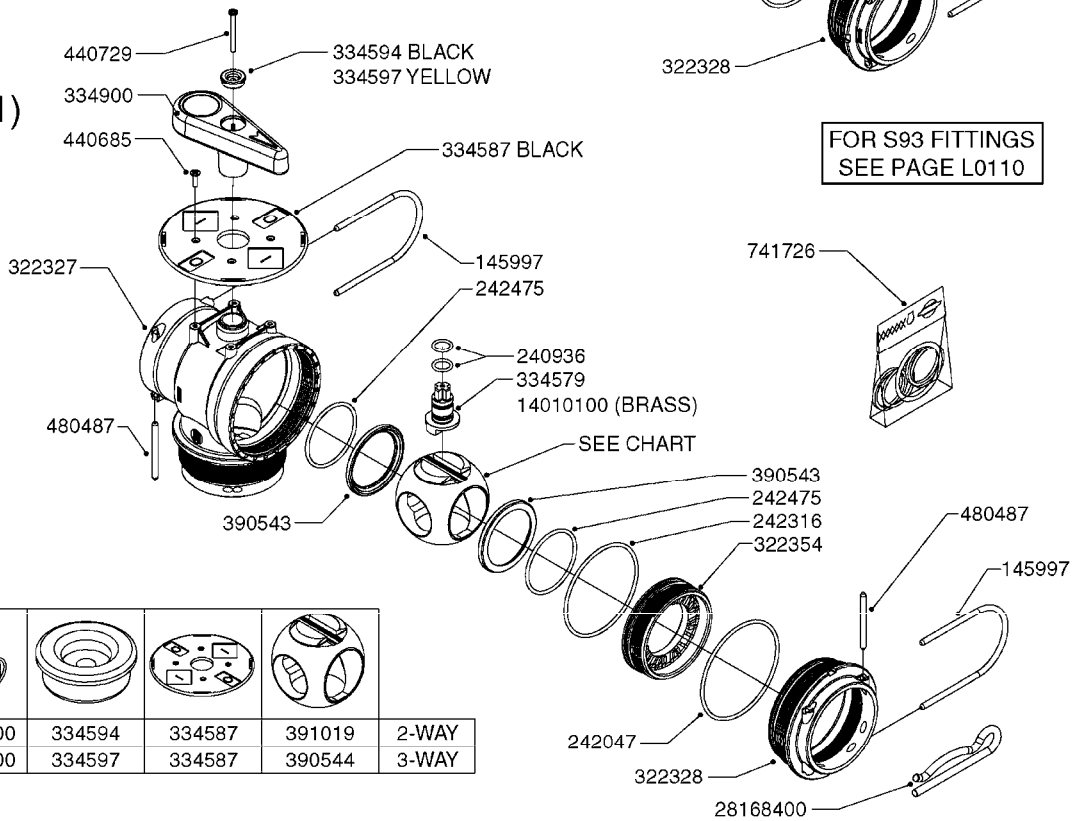
MANIFOLD - S93 VALVE
B0530-HIN, 28:01:19

S93



| | | | | |
|-----|--------|--------|--------|-------|
| | | | | 2-WAY |
| NLA | 334594 | 334587 | 391019 | 2-WAY |
| | | | | 3-WAY |
| NLA | 334597 | 334587 | 390544 | 3-WAY |

S93 (01)



| | | | | |
|----------|--------|--------|--------|-------|
| | | | | 2-WAY |
| 72082300 | 334594 | 334587 | 391019 | 2-WAY |
| | | | | 3-WAY |
| 72082400 | 334597 | 334587 | 390544 | 3-WAY |

FOR S93 FITTINGS
SEE PAGE L0110

B0530

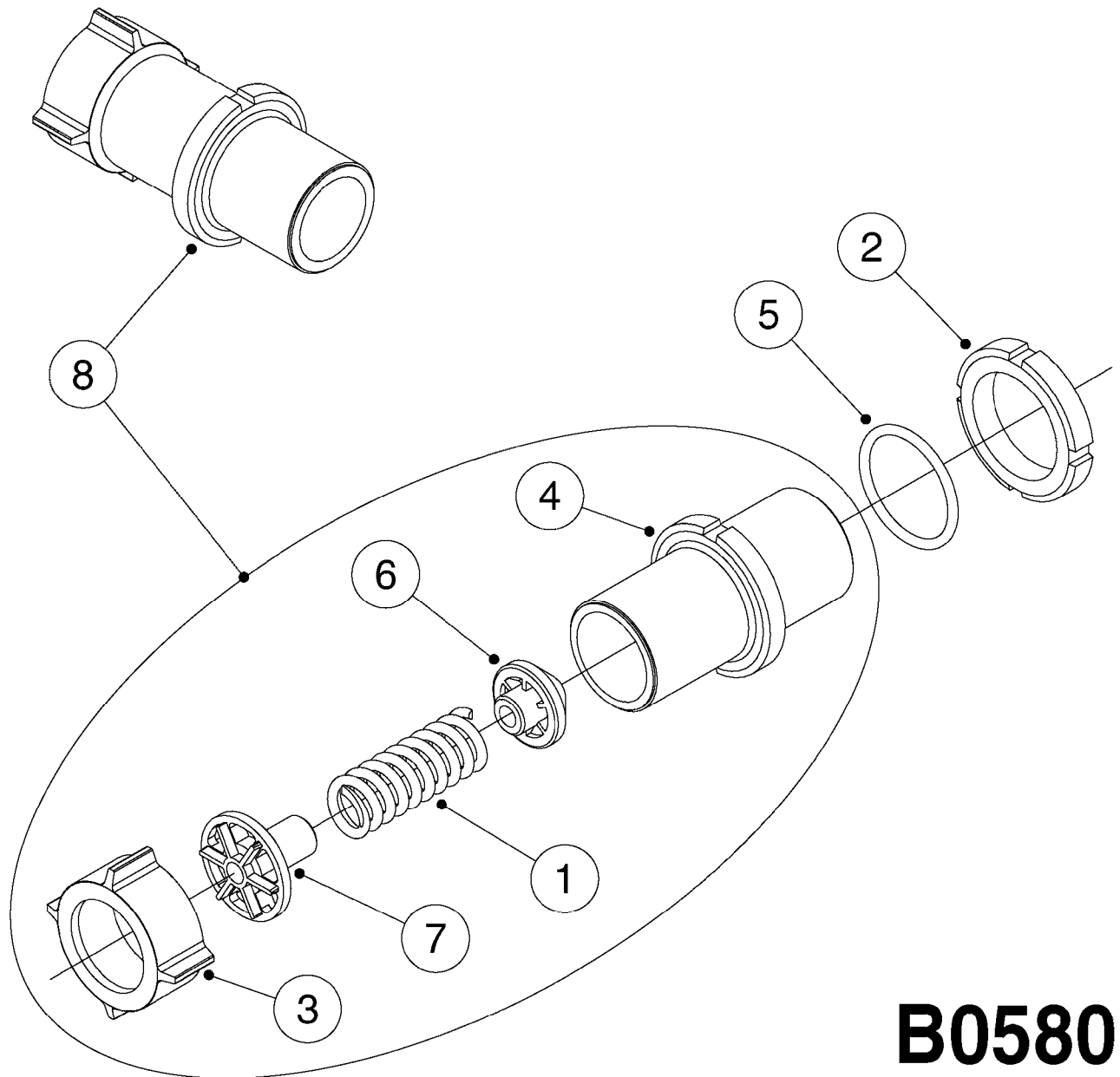


MANIFOLD - S93 VALVE
B0530-HIN, 28:01:19

Page 1

Date 12.08.2020 9:25

| parts-n° | order qty | description |
|----------|-----------|--------------------------------|
| 145997 | 1 | FITT.DK S-93 FORK |
| 240936 | 1 | O-RING D13.3X2.4 NITRIL |
| 242047 | 1 | O-RING 89.5 X 3.0 VITON |
| 242316 | 1 | O-RING D84.5X3.0 NITRIL |
| 242451 | 1 | O'RING D56.0 x 3.0 VITON |
| 242475 | 1 | O'RING D56.52x5.33 SH70-VITON |
| 322327 | 1 | HOUSING, VALVE, S93, 220 PSI |
| 322328 | 1 | END CAP F.VALVE S-93 |
| 322354 | 1 | THRUST PLATE F.3-WAY VALVES-93 |
| 334578 | 1 | HANDLE FOR VALVE 'OLD' STYLE |
| 334579 | 1 | SPINDLE F.3 WAY VALVE S-93 |
| 334587 | 1 | FACE PLATE F.BALL VALVE BLACK |
| 334594 | 1 | PLUG F.VALVE HANDLE BLACK |
| 334597 | 1 | PLUG F.VALVE HANDLE YELLOW |
| 334900 | 1 | HANDLE F.3 WAY VALVE TALL '00 |
| 390543 | 1 | SEAT F.BALL 3-WAY VALVE S-93 |
| 390544 | 1 | BALL FOR S93 VALVE, 3 HOLES |
| 391019 | 1 | BALL F.2 WAY S93 SMART VALVE |
| 440681 | 1 | SCREW F. PLASTIC 4MM X 14LG SS |
| 440685 | 1 | SCREW F.PLASTIC 4X14 SS C-SUNK |
| 440729 | 1 | SCREW F. PLASTIC 4MM X40LG SS |
| 480487 | 1 | PIN M5X60 SLOTTED GALV |
| 741447 | 1 | REPAIR KIT F.S93 VALVE - VITON |
| 741726 | 1 | REPAIR KIT F.S93 VALVE VIT.'02 |
| 14010100 | 1 | SPINDLE F.SMART VALVE S-93 |
| 28168400 | 1 | HAIRPIN Ø5 S67/S93 |
| 72082300 | 1 | VALVE 2 WAY MANUAL Ø50 S93 |
| 72082400 | 1 | VALVE 2"-S93 3 WAY |



B0580

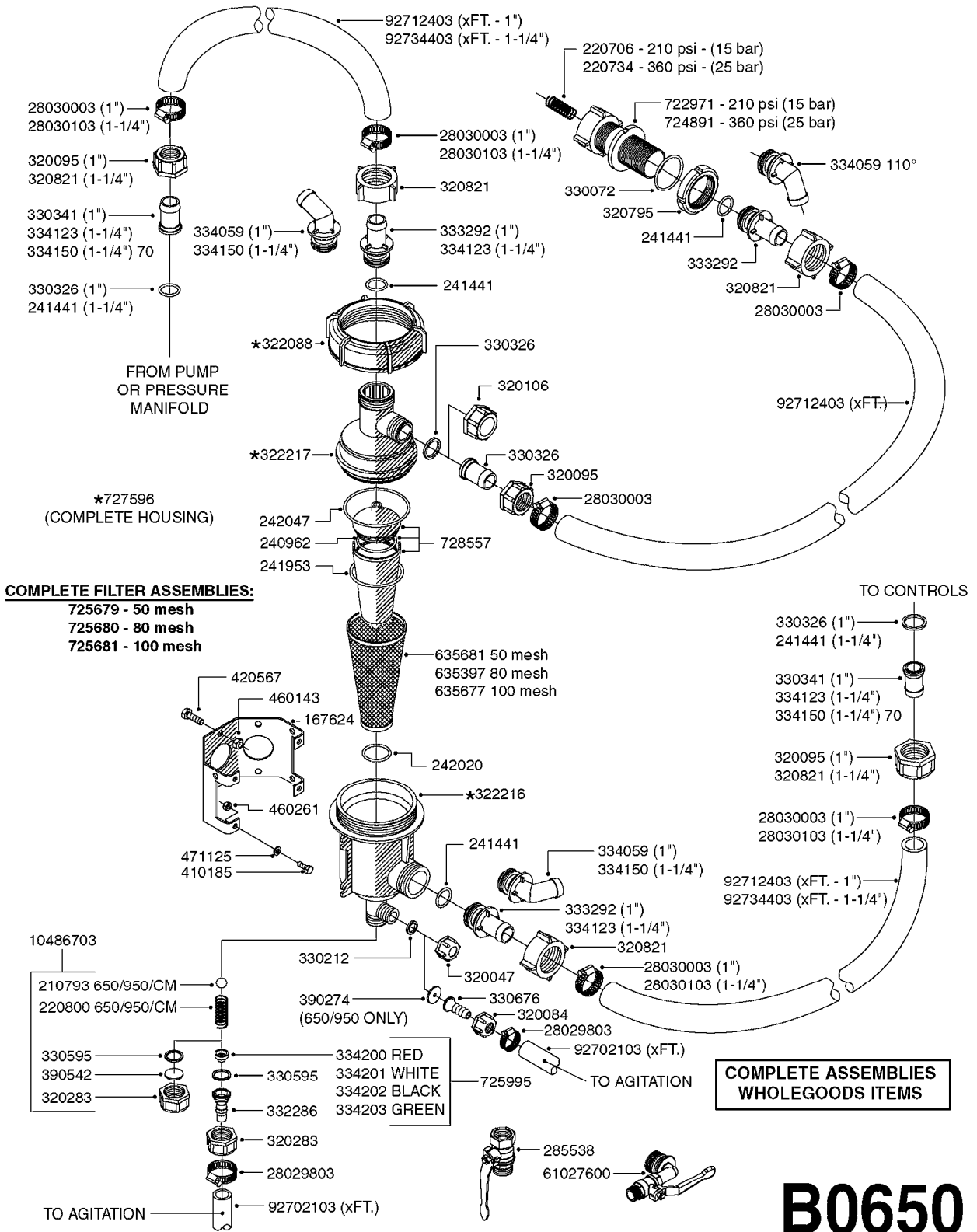


PRESSURE RELIEF VALVE
B0580-HIN, 01:01:16

Page 1

Date 12.08.2020 9:25

| Pos. | parts-n° | order qty | description |
|------|----------|-----------|---------------------------------|
| 1 | 220706 | 1 | SPRING SCF 12 BAR |
| 1 | 220734 | 1 | SPRING SCF 25 BAR |
| 2 | 320795 | 1 | FITT.DK NUT 1-1/2" BSP JAMB |
| 3 | 320821 | 1 | FITT.DK NUT 1-1/2" BSP |
| 4 | 321915 | 1 | HOUSING F. SAFETY VALVE |
| 5 | 330072 | 1 | O-RING D53.5/D45.5X4 |
| 6 | 333853 | 1 | CONE D35.4 |
| 7 | 333864 | 1 | GUIDE F. SAFETY VALVE SPRING |
| 8 | 722971 | 1 | SAFETY VALVE SCF 217PSI (15BAR) |
| 8 | 724891 | 1 | SAFETY VALVE SCF 25 BAR |



B0650



SELF CLEANING FILTER-SCREW TOP
B0650-HIN, 01:01:16

Page 1
Date 12.08.2020 9:25

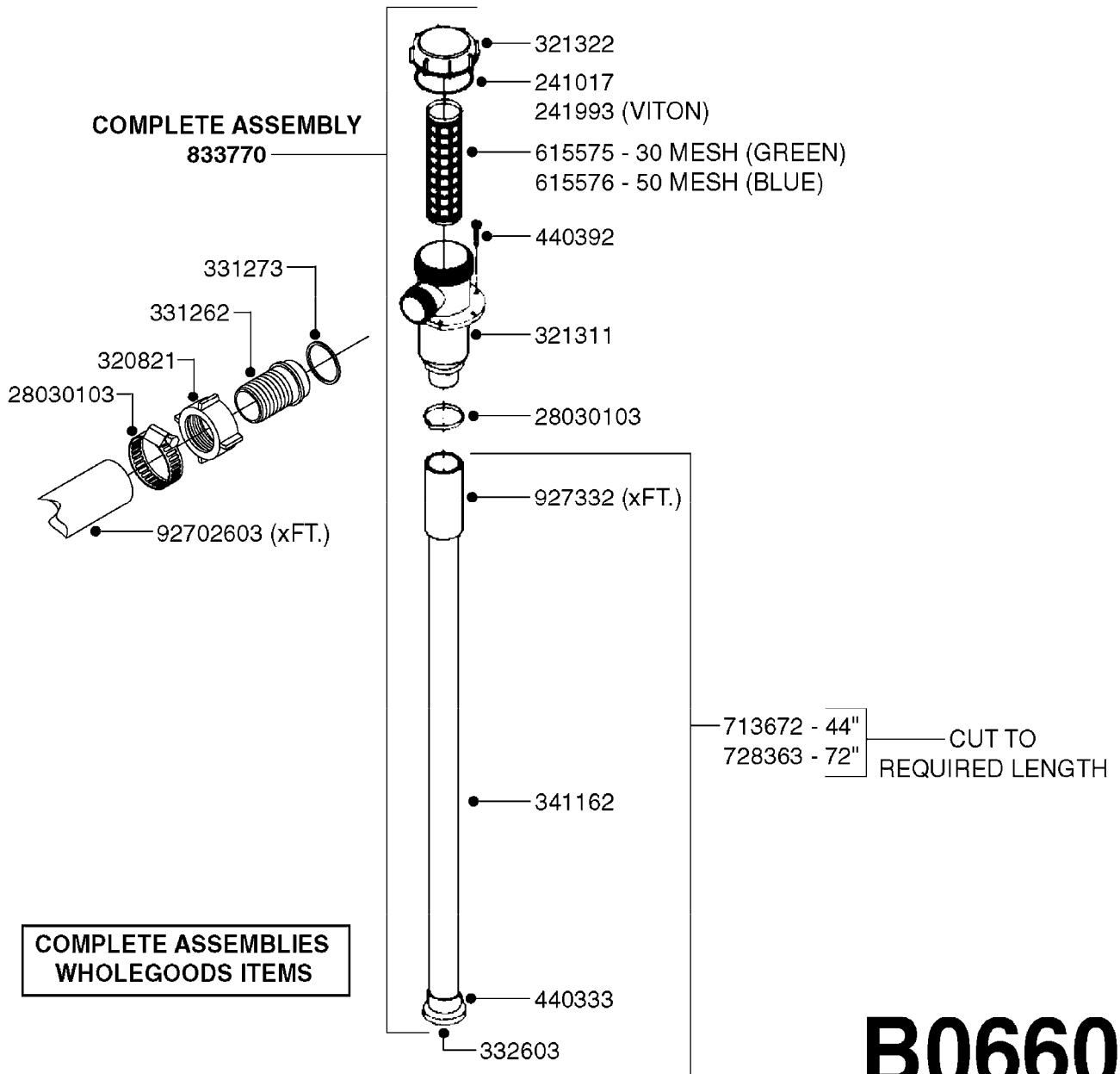
| parts-n° | order qty | description |
|----------|-----------|-----------------------------------|
| 10486703 | 1 | KIT F.UPDATING SCF |
| 167624 | 1 | MOUNT BRACKET F. SCF |
| 210793 | 1 | BALL F.SCF |
| 220706 | 1 | SPRING SCF 12 BAR |
| 220734 | 1 | SPRING SCF 25 BAR |
| 220800 | 1 | SPRING F.SCF |
| 240962 | 1 | O-RING D57,2X3 NITRIL |
| 241441 | 1 | O-RING D29.3X3 |
| 241953 | 1 | O-RING D73,03X3,53 VITON |
| 242020 | 1 | O-RING 39.2 X 3 VITON |
| 242047 | 1 | O-RING 89.5 X 3.0 VITON |
| 28029803 | 1 | CLAMP HOSE GEAR P1/2" 6708 |
| 28030003 | 1 | CLAMP HOSE GEAR P1" 6716 |
| 28030103 | 1 | CLAMP HOSE GEAR P5/4-S1.5"6724 |
| 285538 | 1 | BALL VALVE 3/4" BSP |
| 320047 | 1 | FITT.DK CAPNUT 1/2" BSP |
| 320084 | 1 | FITT.DK NUT 1/2" BSP |
| 320095 | 1 | FITT.DK NUT 1" BSP |
| 320106 | 1 | FITT.DK CAPNUT 1" BSP |
| 320283 | 1 | FITT.DK NUT 3/4"BSP |
| 320795 | 1 | FITT.DK NUT 1-1/2" BSP JAMB |
| 320821 | 1 | FITT.DK NUT 1-1/2" BSP |
| 322088 | 1 | NUT LARGE F.SCF BODY |
| 322216 | 1 | SCF HOUSING (THREADED) F.GROVE |
| 322217 | 1 | SCF TOP (THREADED) W/GROVE |
| 330072 | 1 | O-RING D53.5/D45.5X4 |
| 330212 | 1 | O-RING D19/D14X2.4 F.1/2"NUT |
| 330326 | 1 | O-RING D30/D24X2 F.1"NUT |
| 330341 | 1 | FITT.DK HB 1" F. 1" NUT |
| 330595 | 1 | O-RING D24.6/D20X2.1 -3/4" |
| 330676 | 1 | FITT.DK HB 3/8" F. 1/2" NUT |
| 332286 | 1 | FITT.DK HB 1/2" F. 3/4" NUT |
| 333292 | 1 | FITT.DK HB 1"O'RING F.1-1/2" |
| 334059 | 1 | FITT.DK EL 1" 110 DEG.F.1-1/2" |
| 334123 | 1 | FITT.DK HB 1-1/4"O-RNG F.1-1/2" |
| 334150 | 1 | FITT.DK HB 1-1/4" 110 F.1-1/2" |
| 334200 | 1 | ORFICE 3MM FOR SCF RED |
| 334201 | 1 | ORFICE 4MM FOR SCF WHITE |
| 334202 | 1 | ORFICE 5MM FOR SCF BLACK |
| 334203 | 1 | ORFICE 6MM FOR SCF GREEN |
| 390274 | 1 | ORIFICE ID4.0/18/1.5 |
| 390542 | 1 | PLUG WASHER FOR 3/4'CAP NUT |
| 410185 | 1 | BOLT HEX 8.8 DEL M6X16 |
| 420567 | 1 | BOLT HEX 8.8 DEL M8X30 FT |
| 460143 | 1 | LOCK NUT M8 SST A2 DIN985 |
| 460261 | 1 | NUT HEX M6X1.00 LOCK DIN985 A2 SS |
| 471125 | 1 | WASHER M6U 6.4X14X1.2,A2 SS |
| 61027600 | 1 | VALVE 1/2"BSP ASSY S5390 |
| 635397 | 1 | SCREEN SCF 80 MESH |
| 635677 | 1 | SCREEN SCF 100 MESH |
| 635681 | 1 | SCREEN SCF 50 MESH |
| 722971 | 1 | SAFETY VALVE SCF 217PSI (15BAR) |
| 724891 | 1 | SAFETY VALVE SCF 25 BAR |
| 725679 | 1 | SCF ASSY.50 W/THREADED TOP CAP |
| 725680 | 1 | SCF ASSY.80 W/THREADED TOP CAP |
| 725681 | 1 | SCF ASSY.100 W/THREADED CAP |
| 725995 | 1 | BAG FOR SCF |
| 727596 | 1 | SCF HOUSING COMPLETE |
| 728557 | 1 | CONE F.SCF RED |
| 92702103 | 1 | HOSE R X1/2" X300PSI WP X0012" |
| 92712403 | 1 | HOSE R X1" X300PSI WP X0012" |



SELF CLEANING FILTER-SCREW TOP
B0650-HIN, 01:01:16

Page 2
Date 12.08.2020 9:25

| parts-n° | order qty | description |
|----------|-----------|--------------------------------|
| 92734403 | 1 | HOSE R X5/4" X200PSI WP X0012" |





TOP SUCTION ASSEMBLY-SCREW CAP
B0660-HIN, 01:01:16

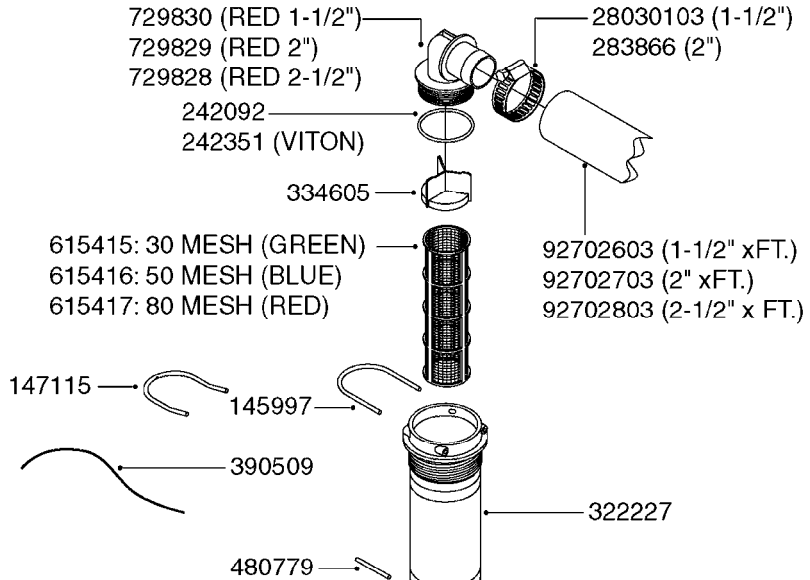
Page 1

Date 12.08.2020 9:25

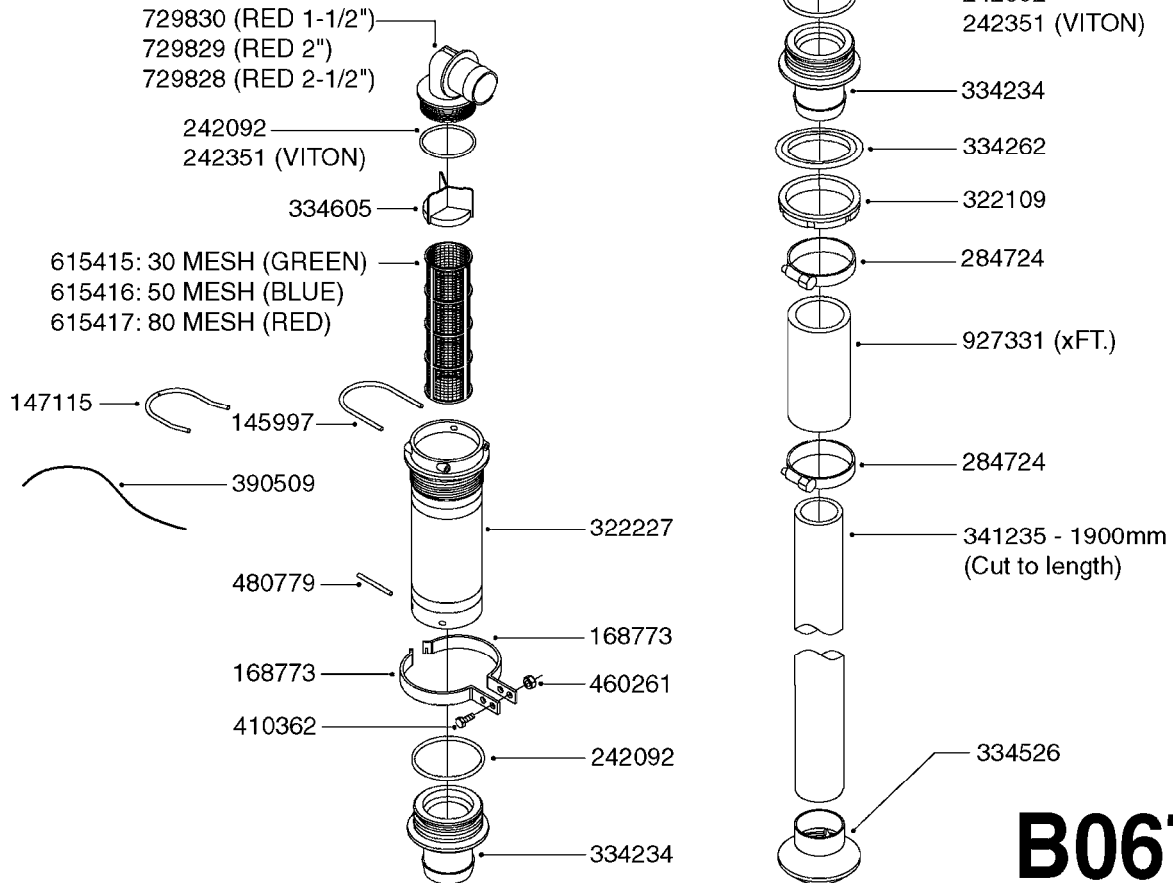
| parts-n° | order qty | description |
|----------|-----------|--------------------------------|
| 241017 | 1 | O-RING D74,5X3 NITRIL |
| 241993 | 1 | O-RING 74.5 X 3MM VIT/241017 |
| 320821 | 1 | FITT.DK NUT 1-1/2" BSP |
| 321311 | 1 | FILTER BODY S 80 X 4 |
| 321322 | 1 | SCREW CAP F. S80 X 4 |
| 331262 | 1 | FITT.DK HB 1-1/2" F. 1-1/2"NUT |
| 331273 | 1 | O-RING D44/D38X2 F.1-1/2" |
| 332603 | 1 | CAP F. SUCTION TUBE |
| 341162 | 1 | SUCTION TUBE F.650 |
| 440333 | 1 | SCREW 3.5 X 9.5 SS |
| 440392 | 1 | SCREW 6.3 X 25.0 DIN7981C TORX |
| 615575 | 1 | FILTER F.TOP SUCT.30 MESH GRN. |
| 615576 | 1 | FILTER F.TOP SUCT.50 MESH BLUE |
| 713672 | 1 | SUCTION TUBE L=44" |
| 728363 | 1 | SUCTION TUBE ASSY.L=72" |
| 833770 | 1 | TOP SUCTION KIT 300/500 |
| 927332 | 1 | HOSE R X 28 BAR X 40MM X 0012" |
| 28030103 | 1 | CLAMP HOSE GEAR P5/4-S1.5"6724 |
| 92702603 | 1 | HOSE PVC SUCT GRAY 1-1/2" |



TOP SUCTION



EXTERNAL SUCTION



B0670

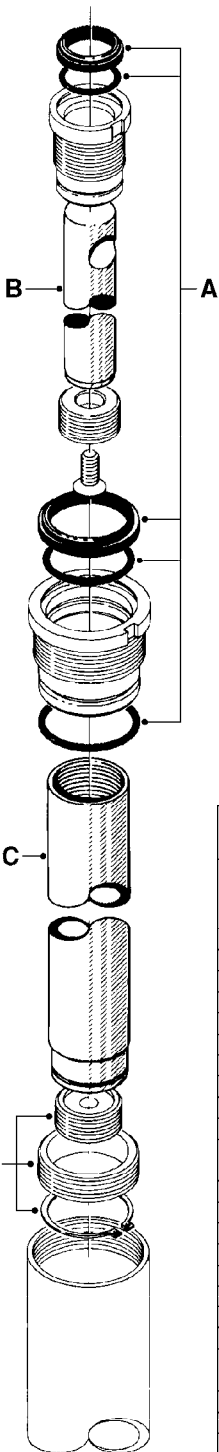


TOP SUCTION ASSEMBLY-S93 2"
B0670-HIN, 01:01:16

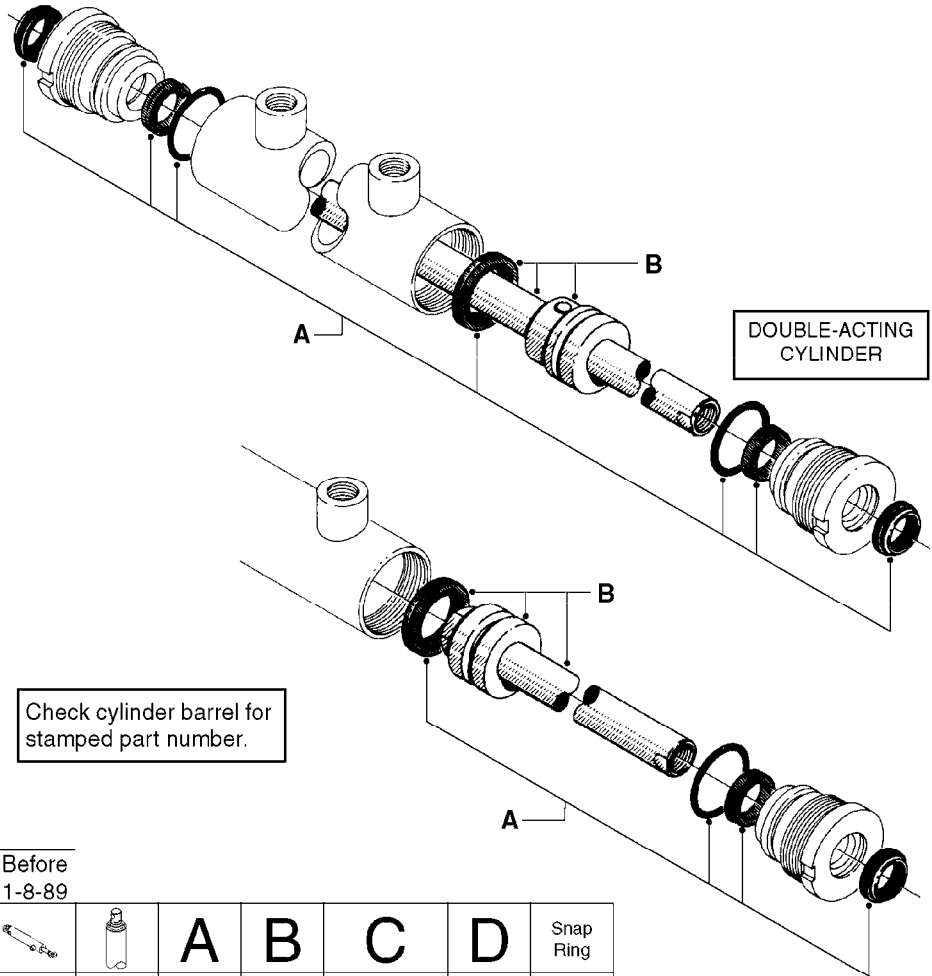
Page 1

Date 12.08.2020 9:25

| parts-n° | order qty | description |
|----------|-----------|-----------------------------------|
| 145997 | 1 | FITT.DK S-93 FORK |
| 147115 | 1 | FITT.DK S-93 FORK SPECIAL |
| 168773 | 1 | MOUNT BRACKET F.S93 HOUSING |
| 242092 | 1 | O-RING D69.5X3 |
| 242351 | 1 | O-RING D69.5X3.0 VITON F.S-93 |
| 283866 | 1 | CLAMP HOSE SCREW TYPE 2"DELTA |
| 284724 | 1 | CLAMP HOSE GEAR D52-70 |
| 322109 | 1 | FITT.DK S-93 BULKHEAD NUT |
| 322227 | 1 | HOUSING F.FILTER S-93 2" |
| 334234 | 1 | FITT.DK S-93 STR.2" RUBBER |
| 334262 | 1 | GASKET F.S-93 BULKHEAD |
| 334526 | 1 | FOOT F.SUCTION TUBE 2" |
| 334605 | 1 | VANE F.TOP SUCTION FILTER |
| 341235 | 1 | TUBE, SUCTION-2", L=1900MM |
| 390509 | 1 | *STRING POLYESTER D1 X 325MM |
| 410362 | 1 | BOLT HEX 8.8 SS M6X20 |
| 460261 | 1 | NUT HEX M6X1.00 LOCK DIN985 A2 SS |
| 480779 | 1 | PIN D5X55 SPLIT |
| 615415 | 1 | FILTER ELEM.S93,30 MESH-GREEN |
| 615416 | 1 | FILTER ELEM.S93,50 MESH-BLUE |
| 615417 | 1 | FILTER ELEM.S93,80 MESH-RED |
| 729828 | 1 | FITT.DK S-93 ELB 2-1/2" RED |
| 729829 | 1 | FITT.DK S-93 ELB 2 RED |
| 729830 | 1 | FITT.DK S-93 ELB 1-1/2" 90 RED |
| 927331 | 1 | HOSE R X 28 BAR X 50MM X 0012" |
| 28030103 | 1 | CLAMP HOSE GEAR P5/4-S1.5"6724 |
| 92702603 | 1 | HOSE PVC SUCT GRAY 1-1/2" |
| 92702703 | 1 | HOSE PVC SUCT GRAY 2" |
| 92702803 | 1 | HOSE PVC SUCT GRAY 2.5" |

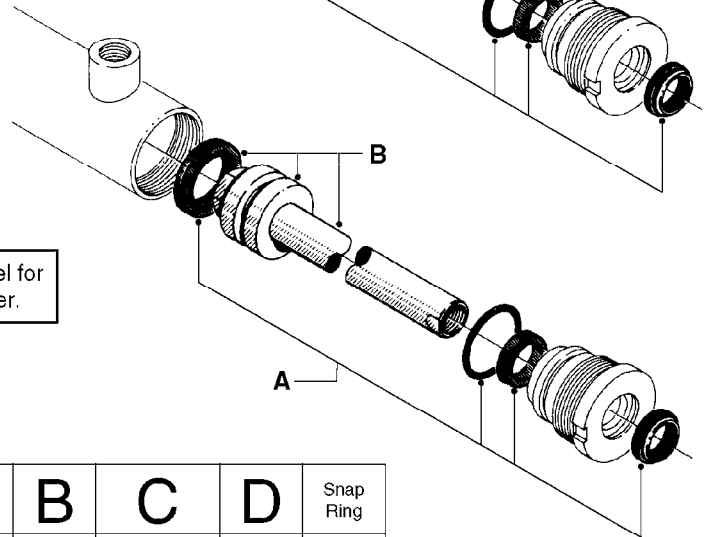


MULTI-STAGE CYLINDER



DOUBLE-ACTING CYLINDER

Check cylinder barrel for stamped part number.



SINGLE-ACTING CYLINDER

| After 1-8-89 | Before 1-8-89 | | A | B | C | D | Snap Ring |
|-----------------|------------------|--------|--------|--------|--------------------------|--------|------------------|
| | | | | | | | |
| | | 781001 | 750211 | 145962 | 728747 | 729630 | 283713 |
| 781021 | 781002 | | 750212 | 726137 | | | |
| 781003 | 781003 | | 750212 | 726138 | | | |
| | | 781004 | 750213 | 145963 | 728735 | 729631 | 283724 |
| 781023 | 781005 | | 750214 | 726139 | | | |
| | | 781006 | 750211 | 145964 | 159165 | 729632 | 283713 |
| 781023 | 781007 | | 750214 | 726139 | | | |
| 781008 | 781008 | | 750212 | 726140 | | | |
| | | 781010 | 750211 | 145964 | 159166 | 729632 | 283713 |
| | | 781011 | 755415 | 729729 | 729730 | 729635 | 283800 |
| | | 781012 | 750238 | 614624 | 614625-Ø60 614626-Ø80 | 729633 | 283843 |
| 781013 | 781013 | | 750239 | 726141 | | | |
| 781022 | 781014 | | 750212 | 726137 | | | |
| 781016 | | | 750212 | 726137 | | | |
| 781020 | | | 750252 | | | 728688 | |
| | | 781032 | 750213 | 146538 | 150325 | 729634 | 283724 |
| | | 781034 | 750211 | 147076 | 151291 | 729630 | 283713 |
| | | 781036 | 755415 | 615181 | 615180 | 729635 | 283800 |
| | | 781040 | 750213 | 146732 | 151286 | 729631 | 283724 |
| | | 781042 | 750254 | 615248 | 615249-Ø60 615250-Ø80 | 729637 | 283800 283843 |
| 781046 | | | 750255 | 730938 | | | |
| 781050 | | | 750255 | 730939 | | | |
| 781056 | | | 750255 | 730939 | | | |
| 781057 | | | 750255 | 730938 | | | |
| 781086 | | | 750212 | 726137 | | | |

C0010



| parts-n° | order qty | description |
|----------|-----------|--------------------------------|
| 145962 | 1 | VASTAGO PISTON D. 25 X 675 |
| 145963 | 1 | PISTON ROD 30 X 768.5 |
| 145964 | 1 | PISTON ROD 25 X 575 |
| 146538 | 1 | PISTON ROD Ø60/50/30-1700 |
| 146732 | 1 | CYLINDER ROD F. 781040 HYD CYL |
| 147076 | 1 | PISTON ROD 25 X 725 |
| 150325 | 1 | INTER.SHAFT Ø50/40 L=930 |
| 151286 | 1 | INTER. SHAFT F.781040 HYD CYL |
| 151291 | 1 | INTER.SHAFT Ø40/30 L=675.5 |
| 159165 | 1 | INTER. SHAFT F. 781006 HYD CYL |
| 159166 | 1 | INTER. SHAFT F.781010 HYD CYL |
| 283713 | 1 | SNAP-RING OUTER 38X1.75 |
| 283724 | 1 | SNAP-RING OUTER 48X1.75 |
| 283800 | 1 | SNAP-RING 58X2 |
| 283843 | 1 | SNAP-RING 78X2.5 |
| 614624 | 1 | PISTON ROD D40X865 |
| 614625 | 1 | PIPE INTERMEDIA D60X785 |
| 614626 | 1 | PIPE INTERMEDIA D80X769 |
| 615180 | 1 | INTER.SHAFT Ø60/50 L=918 |
| 615181 | 1 | PISTON ROD Ø70/60/40-1687 |
| 615248 | 1 | PISTON ROD Ø90/80/60/40-2250 |
| 615249 | 1 | PISTON ROD Ø60/50 L=853 |
| 615250 | 1 | PISTON ROD Ø80/70 L=829 |
| 726137 | 1 | PISTON ROD F.781002 CYLINDER |
| 726138 | 1 | PISTON ROD F.781003 CYLINDER |
| 726139 | 1 | PISTON ROD F/CYLINDER |
| 726140 | 1 | PISTON ROD F.781008 CYLINDER |
| 726141 | 1 | PISTON ROD /PISTON PACKED |
| 728735 | 1 | CYLINDER TUBE W.STOP RING |
| 728688 | 1 | PISTON ROD/PISTON 50/30-300 |
| 728747 | 1 | INNER CYL.W.STOP RING 781001 |
| 729630 | 1 | PISTON RINGS F.781001,781034 |
| 729631 | 1 | PISTON RINGS F.781004,781040 |
| 729632 | 1 | PISTON RINGS F.781006,781010 |
| 729633 | 1 | PISTON RINGS F.781012 |
| 729634 | 1 | PISTON RINGS F.781032 |
| 729635 | 1 | PISTON RINGS F.781036 |
| 729637 | 1 | PISTON RINGS F.781042 |
| 729729 | 1 | PISTON ROD ASSY. 40 x 760MM |
| 729730 | 1 | PISTON ROD W/SEAL & RING |
| 730938 | 1 | PISTON ROD ASSY. F.781046/57 |
| 730939 | 1 | PISTON ROD ASSY. F. 781050/56 |
| 750211 | 1 | SEAL KIT F/781001 & 781006 |
| 750212 | 1 | SEAL KIT F.40/20 CYLINDER |
| 750213 | 1 | SEAL KIT F.60/50/30 CYLINDER |
| 750214 | 1 | SEAL KIT F.HY CYL. |
| 750238 | 1 | PACKING SET FOR HY CYL. 781012 |
| 750239 | 1 | PACKING SET FOR HY CYL. 781013 |
| 750252 | 1 | SEAL KIT F.HY CYL.781020 |
| 750254 | 1 | SEAL KIT F.HY CYL.781042 |
| 750255 | 1 | SEAL KIT F.40/22 CYLINDER |
| 755415 | 1 | SEAL KIT F.HY CYL.781011 |
| 781001 | 1 | CYL.TELESOPING Ø50/40/25_1100 |
| 781002 | 1 | CYL.DBL D40/20-300 (78122400) |
| 781003 | 1 | CYLINDER DOUBLE D40/20-180 |
| 781004 | 1 | CYLINDER DOUB. D70/50/30-1300 |
| 781005 | 1 | CYLINDER DOUBLE D50/25-300 |
| 781006 | 1 | CYLINDER DOUB.D50/40/25-900 |
| 781007 | 1 | CYLINDER LY/TY |
| 781008 | 1 | CYLINDER DOUBLE D40/20-120 |
| 781010 | 1 | CYLINDER TELESC.50/40/25-700 |



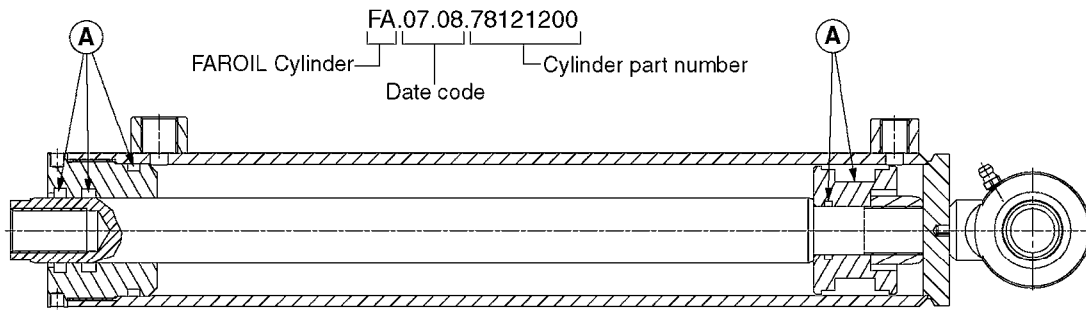
HYDRAULICS - CYLINDERS
C0010-HIN, 01:01:16

Page 2
Date 12.08.2020 9:25

| parts-n° | order qty | description |
|----------|-----------|--------------------------------|
| 781011 | 1 | CYLINDER TELESC.70/60/40 |
| 781012 | 1 | CYLINDER TEL.90/80/60/40-2100 |
| 781013 | 1 | CYLINDER D40/20X310 THROUGH |
| 781014 | 1 | CYLINDER FOR 45 HY 60 HB TILT |
| 781016 | 1 | CYLINDER DOU.W/SIDE DET.D40/20 |
| 781020 | 1 | CYLINDER DOUBLE D50/30-300 |
| 781021 | 1 | CYLINDER 40/20 300MM |
| 781022 | 1 | CYLINDER 40/20 300MM |
| 781023 | 1 | CYL DOUB D50/25-300 781116 |
| 781032 | 1 | CYLINDER TELESC.60/50/30-1700 |
| 781034 | 1 | HY. CYLINDER D50/40/25 - 1200 |
| 781036 | 1 | CYLINDER TELESC.70/60/40-1687 |
| 781040 | 1 | CYLINDER 60/50/30 1100MM |
| 781042 | 1 | CYLINDER TEL.90/80/60/40-2250 |
| 781046 | 1 | CYLINDER D40/22-300 |
| 781050 | 1 | CYLINDER D40/22-300 EXT.THREAD |
| 781056 | 1 | CYLINDER 40/22X300MM |
| 781057 | 1 | CYLINDER D40/22X300MM |
| 781086 | 1 | CYLINDER DOUBLE Ø40/20-180 |



Check cylinder barrel for stamped part number.



FAROIL cylinders directly replace the cylinders in the chart below. Seal kits (A) are for FAROIL cylinders only. Seal kits for replaced cylinders can be found on pages C0010 and C0020.

| FAROIL Cylinder # | Replaces Cylinder # | FAROIL Seal Kit (A) |
|-------------------|---------------------|---------------------|
| 78120000 | 781001 | 75075900 |
| 78120100 | 781011 | 75076000 |
| 78120200 | 781034 | 75075900 |
| 78120300 | 781040 | 75076100 |
| 78120500 | 781093 | 75074600 |
| 78120600 (LH) | 781096* | 28117300 |
| 78120700 (LH) | 781097* | 28117300 |
| 78120800 | 781100 | 75075400 |
| 78121000 | - | 75075500 |
| 78121200 | 781107 | 75074500 |
| 78121400 | 781109 | 75075200 |
| 78121600 | 781111 | 75074500 |
| 78121800 | 781113 | 75074400 |
| 78122000 | 781115 | 75074300 |
| 78122100 | 781116 | 75074400 |
| 78122300 | 781118 | 75074300 |
| 78122400 | 781119 | 75074300 |
| 78122600 | 781121 | 75075000 |
| 78122700 | 781122 | 75075000 |

| FAROIL Cylinder # | Replaces Cylinder # | FAROIL Seal Kit (A) |
|-------------------|---------------------|---------------------|
| 78122800 | 781123 | 75075000 |
| 78122900 | 781124 | 75075000 |
| 78123100 | 781126 | 75074300 |
| 78123200 | 781127 | 75074300 |
| 78123300 (LH) | 78115000* | 75075500 |
| 78124100 (RH) | 78115100* | 75075500 |
| 78124200** | 781139 | 75074800 |
| 78124300 (LH) | 781141* | 28117300 |
| 78124600 | 781115 | 75074300 |
| 78125100 (RH) | 78115000* | 75075500 |
| 78125300 (LH) | 78115100* | 75075500 |
| 78125500 (RH) | 781096* | 28117300 |
| 78125600 (RH) | 781097* | 28117300 |
| 78125700 (RH) | 781141* | 28117300 |
| 78126000 | 781132 | 75074900 |
| 78126400 | 781090 | 75076500 |
| 78128000 | 78120500 | 75074600 |
| 78128800 | 78121200 | 75075200 |

*Replaced by separate left and right cylinders.
** Only available as 72531000 (78124200 with fittings).



| parts-n° | order qty | description |
|----------|-----------|--|
| 781001 | 1 | CYL.TELESOPING Ø50/40/25_1100 |
| 781011 | 1 | CYLINDER TELESC.70/60/40 |
| 781034 | 1 | HY. CYLINDER D50/40/25 - 1200 |
| 781040 | 1 | CYLINDER 60/50/30 1100MM |
| 781090 | 1 | CYL DBLD32/16-200W |
| 781093 | 1 | CYLINDER FOLD SPC D60/30 L=300 |
| 781096 | 1 | CYLINDER 60/25 X 662 NAV PAR |
| 781097 | 1 | CYLINDER 60/25 X 725 CM PAR |
| 781100 | 1 | CYLINDER DOUBLE 60/30-300 |
| 781107 | 1 | DOBCYL50/30-500/M24X2 78121200 |
| 781109 | 1 | DOUBLE CYLINDER D 50/30-300 |
| 781111 | 1 | CYL DOUB D50/30-300 78121600 |
| 781113 | 1 | CYLINDER D50/25 L=300 |
| 781115 | 1 | CYLINDER DOUBLE Ø40/20-300 |
| 781116 | 1 | CYLINDER DOUBLE D50/25-298 |
| 781118 | 1 | CYLINDER DOUBLE D40/20-180 |
| 781119 | 1 | DOUBLE CYLINDER D 40/20-300 |
| 781121 | 1 | CYLINDER D40/22-300 BLACK |
| 781122 | 1 | CYLINDER D40/22X300MM RED |
| 781123 | 1 | CYLINDER D40/22-300 BLACK |
| 781124 | 1 | CYLINDER 40/22X300MM RED |
| 781126 | 1 | CYLINDER DOUBLE D40/20-120 |
| 781127 | 1 | CYLINDER D40/20-120 |
| 781132 | 1 | CYL.STAB CM1200 04 78126000 |
| 781139 | 1 | CYLINDER D25/12-50 |
| 781141 | 1 | CYLINDER 60/25 X 635 DELTA PAR |
| 28117300 | 1 | SEAL KIT 78120600/07/43 |
| 72531000 | 1 | CYL. D25/12-50/78124200 W/FITT |
| 75074300 | 1 | SEALKIT78122000/23-25/30-32/46 |
| 75074400 | 1 | SEAL KIT 78121800/21/44 |
| 75074500 | 1 | SEALKIT78121100-13/15/16/36/48 |
| 75074600 | 1 | SEAL KIT 78120500/49 |
| 75074800 | 1 | SEAL KIT 78123400/42 |
| 75074900 | 1 | SEAL KIT 78123700 |
| 75075000 | 1 | SEAL KIT 78122600/27/28/29 |
| 75075200 | 1 | SEAL KIT 78120900/14/50 |
| 75075400 | 1 | SEAL KIT 78120800 |
| 75075500 | 1 | SEAL KIT 78121000/33/41/51/53 |
| 75075900 | 1 | SEAL KIT FOR 78120000 & 78120200 |
| 75076000 | 1 | SEAL KIT 78120100 |
| 75076100 | 1 | SEAL KIT 78120300 |
| 75076500 | 1 | SEAL KIT 78126400 |
| 78115000 | 1 | DBL CYL D70/40-320 AIRING |
| 78115100 | 1 | CYL DOB.D70/40-265 AIR INLET R |
| 78120000 | 1 | CYL.TELESOPING Ø50/40/25 1100 |
| 78120100 | 1 | CYLINDER TELESC.65/40-1237 |
| 78120200 | 1 | HY. CYLINDER D50/40/25 - 1200 |
| 78120300 | 1 | CYLINDER 60/50/30 1100MM |
| 78120500 | 1 | CYLINDER FOLD SPC D60/30 L=300 NLA - REPLACED BY 78128000 |
| 78120600 | 1 | CYLINDER 60/25 X 662 NAV PAR L |
| 78120700 | 1 | SIN.CYL.Ø60/25-725 2XØ25 LEFT |
| 78120800 | 1 | CYLINDER DOUBLE 60/30-300 |
| 78121000 | 1 | CYLINDER DOUBLE D70/40-400 |
| 78121200 | 1 | CYLINDER, D50/30-500 |
| 78121400 | 1 | DOUBLE CYLINDER D 50/30-300 |
| 78121600 | 1 | CYLINDER DOUBLE D50/30-300 |
| 78121800 | 1 | CYLINDER D50/25 L=300 |
| 78122000 | 1 | CYLINDER DOUBLE Ø40/20-300 0° |
| 78122100 | 1 | CYLINDER DOUBLE D50/25-298 |
| 78122300 | 1 | CYLINDER DOUBLE D40/20-180 |



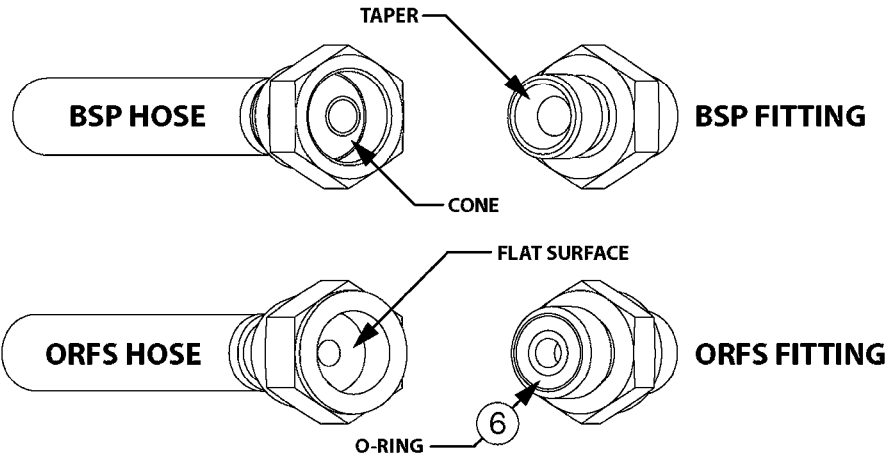
HYDRAULICS - FAROIL CYLINDERS
C0030-HIN, 01:01:16

Page 2
Date 12.08.2020 9:25

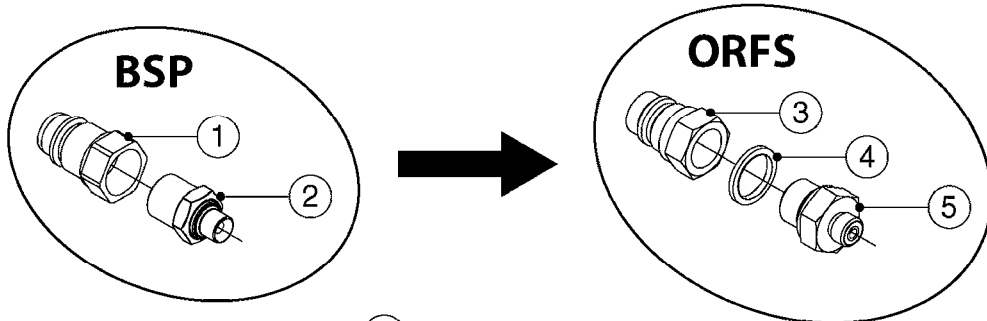
| parts-n° | order qty | description |
|----------|-----------|--------------------------------|
| 78122400 | 1 | DOUBLE CYLINDER D 40/20-300 |
| 78122600 | 1 | CYLINDER D40/22-300 BLACK |
| 78122700 | 1 | CYLINDER D40/22X300MM RED |
| 78122800 | 1 | CYLINDER D40/22-300 BLACK |
| 78122900 | 1 | CYLINDER 40/22X300MM RED |
| 78123100 | 1 | CYLINDER DOUBLE D40/20-120 |
| 78123200 | 1 | CYLINDER D40/20-120 |
| 78123300 | 1 | DBL CYL D70/40-320 AIR INLET L |
| 78124100 | 1 | CYL DOB.D70/40-265 AIR INLET R |
| 78124200 | 1 | CYLINDER D25/12-50 |
| 78124300 | 1 | CYLINDER 60/25 X 635 DELTA L |
| 78124600 | 1 | CYLINDER DOUBLE Ø40/20-300 90° |
| 78125100 | 1 | DBL CYL D70/40-320 AIR INLET R |
| 78125300 | 1 | CYL DOB.D70/40-265 AIR INLET L |
| 78125500 | 1 | CYLINDER 60/25 X 662 NAV PAR R |
| 78125600 | 1 | SIN.CYL.Ø60/25_725_2XØ25 RIGHT |
| 78125700 | 1 | CYLINDER 60/25 X 635 DELTA R |
| 78126000 | 1 | CYLINDER,DAMPNER, LOCKING |
| 78126400 | 1 | CYLINDER DBLE D32/16-200 W.STP |
| 78128000 | 1 | CYLINDER DOUB. D60/30 L=300 09 |
| 78128800 | 1 | CYLINDER, D50/30-500 |



IMPORTANT!
BSP hoses require BSP fittings
ORFS hoses require ORFS fittings



| |
|---|
| 1/4" ORFS Hoses require 9/16" ORFS Fittings |
| 3/8" ORFS Hoses require 11/16" ORFS Fittings |
| 1/2" ORFS Hoses require 13/16" ORFS Fittings |
| 3/4" ORFS Hoses require 1-3/16" ORFS Fittings |



7

| ORFS Hose Size | ORFS Fitting Size | BSP Fitting Size |
|----------------|-------------------|------------------|
| 1/4" | 9/16" | 1/2" |
| 3/8" | 11/16" | 5/8" |
| 1/2" | 13/16" | 3/4" |
| 3/4" | 1-3/16" | 1" |

8

| ORFS Hose Size | ORFS Fitting Size | BSP Fitting Size |
|----------------|-------------------|------------------|
| 1/4" | 9/16" | 1/2" |
| 3/8" | 11/16" | 5/8" |
| 1/2" | 13/16" | 3/4" |
| 3/4" | 1-3/16" | 1" |

C0045



HYDRAULICS - BSP TO ORFS
C0045-HIN, 24:03:16

Page 1

Date 12.08.2020 9:25

| Pos. | parts-n° | order qty | description |
|------|----------|-----------|--|
| 1 | 10466003 | 1 | COUPLER PIONEER 8010-04 1/2NPT |
| 2 | 231907 | 1 | HEX NIPPLE 1/4"BSP X 1/2"NPT |
| 2 | 231906 | 1 | HEX NIPPLE 3/8"BSP X 1/2"NPT |
| 2 | 147132 | 1 | HEX NIPPLE 1/2"X1/2" BSP DEL |
| 3 | 230311 | 1 | QUICK COUPLING 1/2" |
| 4 | 241356 | 1 | DOWTYSEAL 1/2" |
| 5 | 23234800 | 1 | HEX NIPPLE 1/2"-9/16" ORFS FITTING FOR 1/4" HOSE |
| 5 | 23234900 | 1 | HEX NIPPLE 1/2"-11/16" ORFS FITTING FOR 3/8" HOSE |
| 5 | 23235300 | 1 | HEX NIPPLE 1/2"-13/16" ORFS FITTING FOR 1/2" HOSE |
| 6 | 242102 | 1 | O-RING Ø9.25X1.78 NITRIL 90SH |
| 6 | 24263200 | 1 | O-RING Ø7.66X1.78 NITRIL 90SH |
| 6 | 24263300 | 1 | O-RING Ø12.42X1.78 NITRIL 90SH |
| 6 | 24263400 | 1 | O-RING Ø18.77X1.78 NITRIL 90SH |
| 7 | 67002403 | 1 | CHART - BSP TO ORFS HOSES |
| 8 | 67002503 | 1 | CHART - BSP TO ORFS FITTINGS |

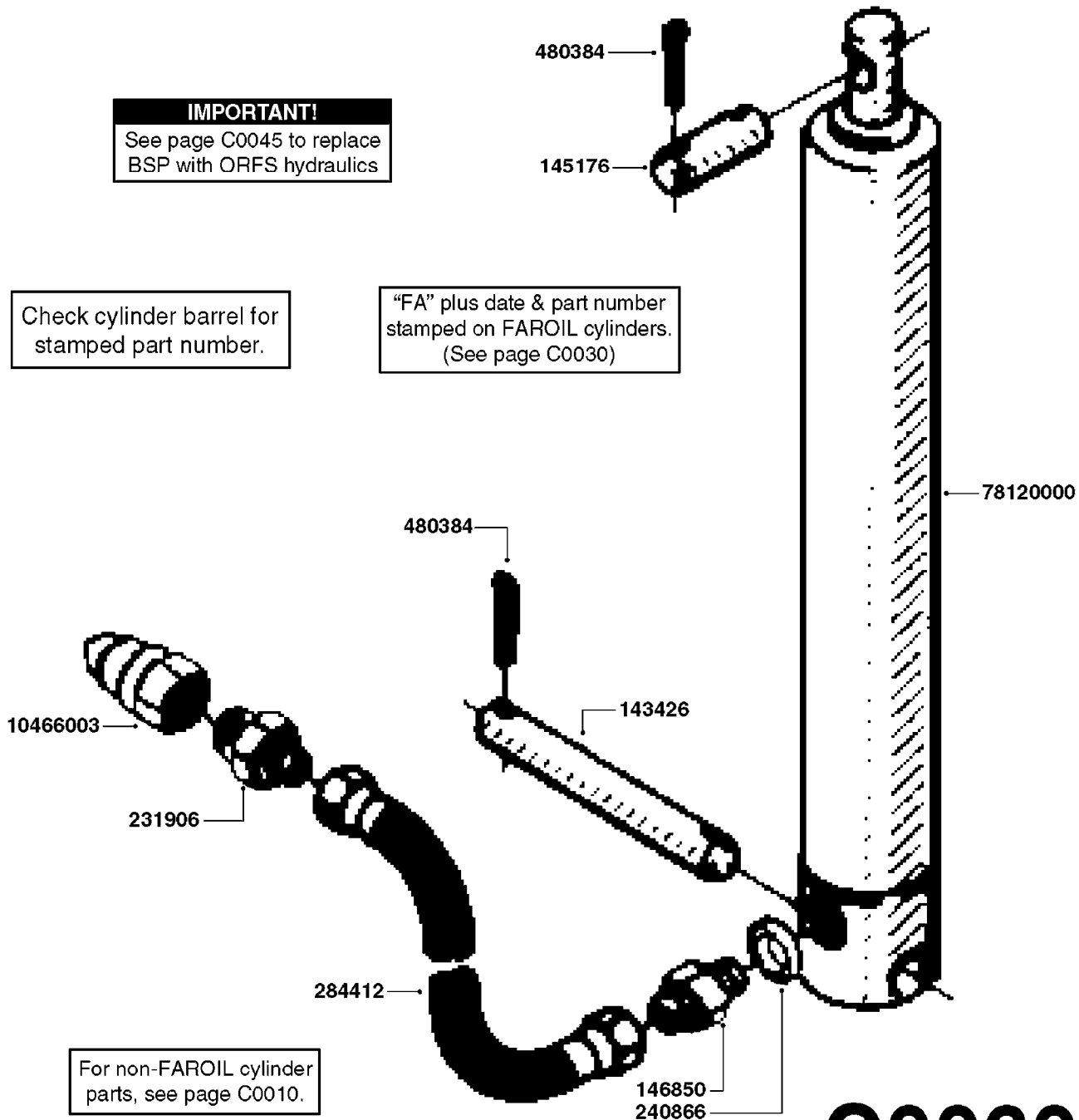


IMPORTANT!

See page C0045 to replace
BSP with ORFS hydraulics

Check cylinder barrel for
stamped part number.

"FA" plus date & part number
stamped on FAROIL cylinders.
(See page C0030)



For non-FAROIL cylinder
parts, see page C0010.

C0060

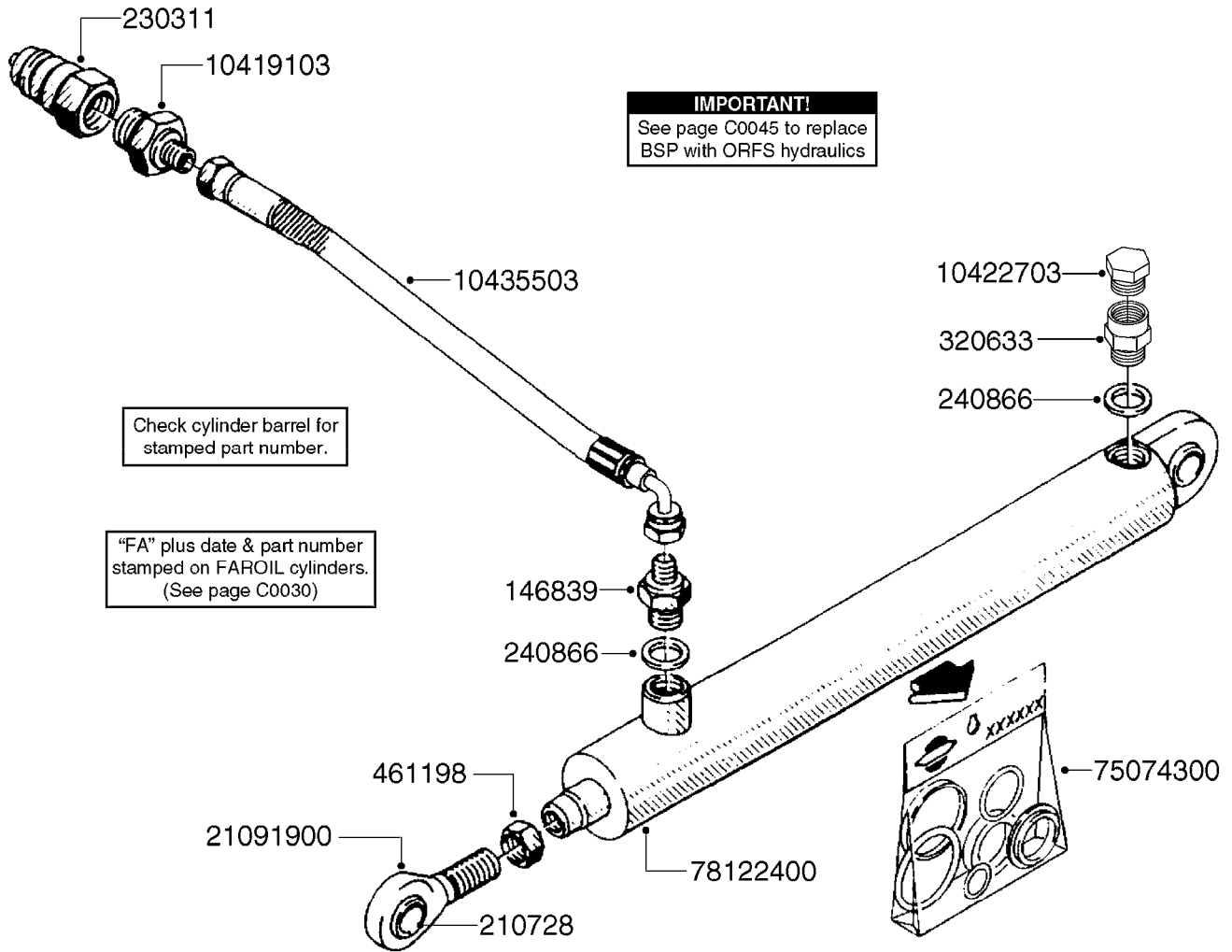


HYDRAULICS-MB BOOM LIFT CYLNR
C0060-HIN, 23:03:16

Page 1

Date 12.08.2020 9:25

| parts-n° | order qty | description |
|----------|-----------|--------------------------------|
| 143426 | 1 | PIN 20x160mm F/HYD/CYL. |
| 145176 | 1 | PIN D19.8 X 60 |
| 146850 | 1 | HEX NIPPLE 3/8"x3/8" - 1.8mm |
| 231906 | 1 | HEX NIPPLE 3/8"BSP X 1/2"NPT |
| 240866 | 1 | DOWTYSEAL 3/8" |
| 284412 | 1 | HOSE HY 3/8" X 315" STR+STR |
| 480384 | 1 | PIN COTTER 3/16 x 1-1/2" |
| 10466003 | 1 | COUPLER PIONEER 8010-04 1/2NPT |
| 78120000 | 1 | CYL.TELESOPING Ø50/40/25_1100 |



C0070



HYDRAULICS-MB BOOM WING TILT
C0070-HIN, 08:01:18

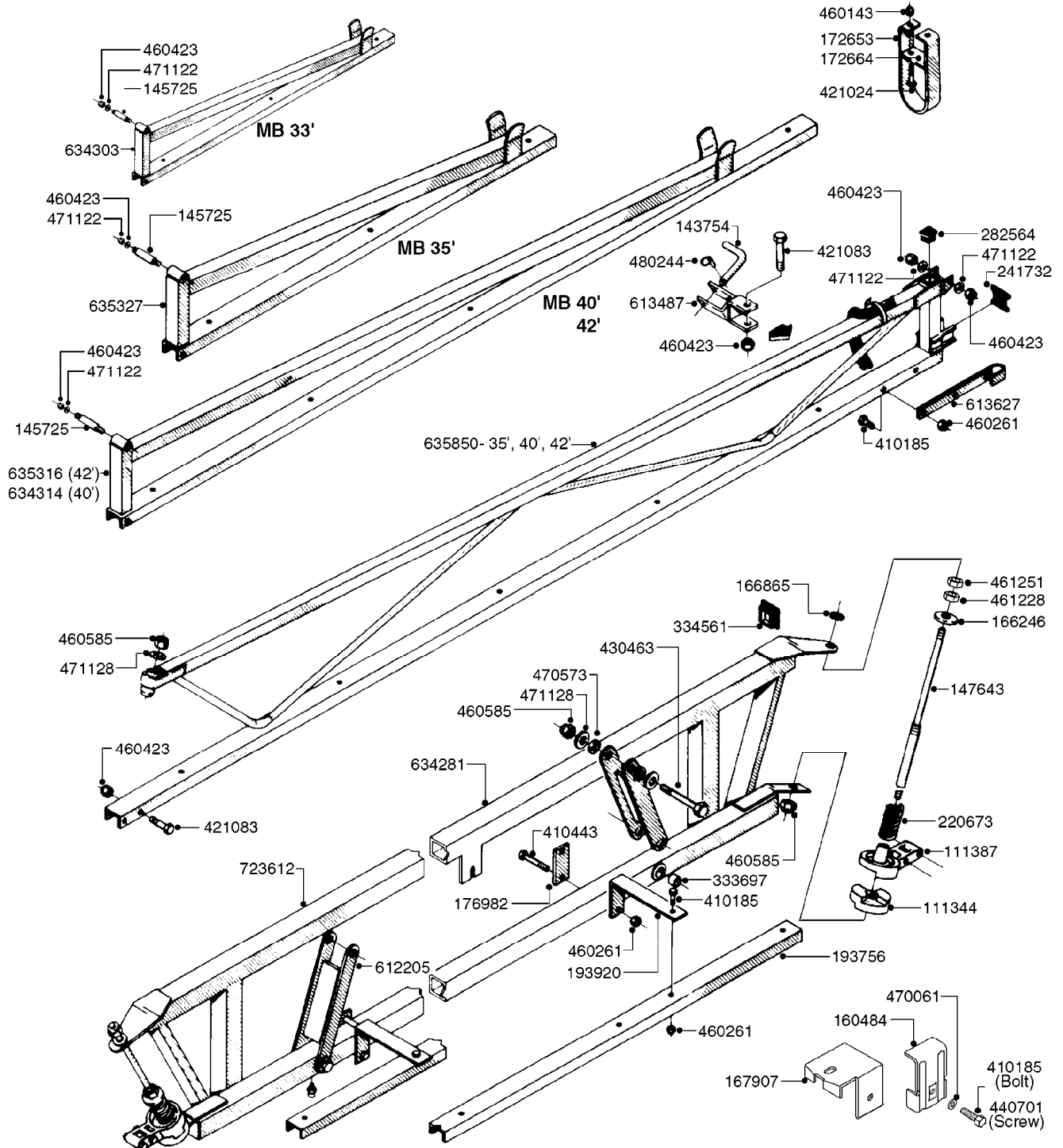
Page 1
Date 12.08.2020 9:25

| parts-n° | order qty | description |
|----------|-----------|--------------------------------|
| 146839 | 1 | HEX NIPPLE 1/4"X3/8" BSP 0.7MM |
| 210728 | 1 | BEARING F.LINK HEAD M17 |
| 230311 | 1 | QUICK COUPLING 1/2" |
| 240866 | 1 | DOWTYSEAL 3/8" |
| 320633 | 1 | FITT.DK HN 3/8"M X 3/8"F BSP |
| 461198 | 1 | NUT HEX M16X2 JAMB |
| 10419103 | 1 | FITT.HY HEX RED.3/8 X 1/2 |
| 10422703 | 1 | BREATHER FOR HY CYLINDER |
| 10435503 | 1 | *HOSE HY X 1/4 X 270' WITH FIT |
| 21091900 | 1 | LINK HEAD M16 x D17 DELTA |
| 75074300 | 1 | SEALKIT78122000/23-25/30-32/46 |
| 78122400 | 1 | DOUBLE CYLINDER D 40/20-300 |



BOOM - MB 35' 40' 42'
D0130-HIN, 26:07:16

| | |
|------|-----------------|
| Page | 0 |
| Date | 12.08.2020 9:25 |



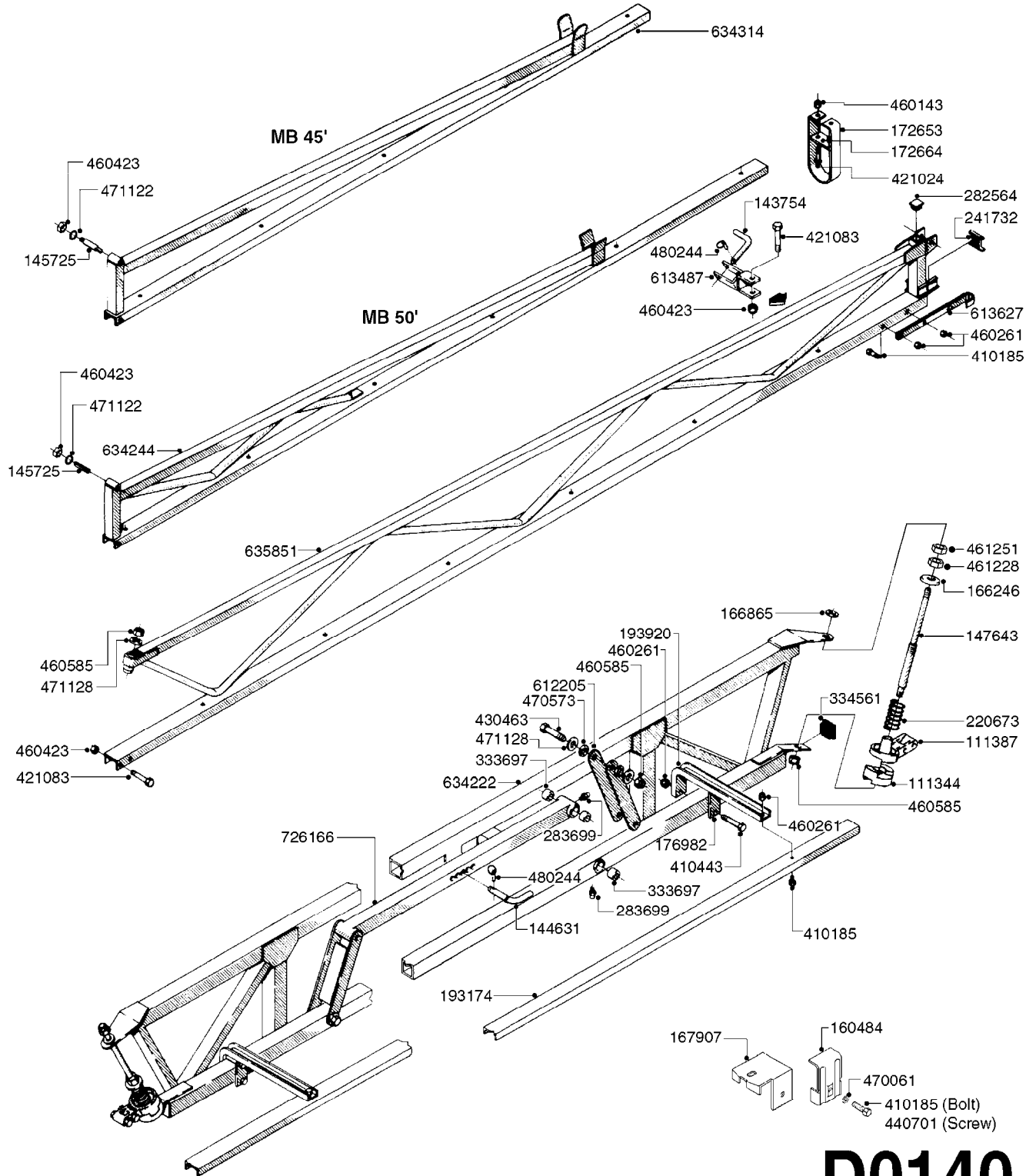
D0130



BOOM - MB 35' 40' 42'
D0130-HIN, 26:07:16

Page 1
Date 12.08.2020 9:25

| parts-n° | order qty | description |
|----------|-----------|---------------------------------------|
| 111344 | 1 | CLAW CLUTCH Ø100/Ø20,5 UNDER PART RED |
| 111387 | 1 | CLAW CLUTCH D100 UPPER PART |
| 143754 | 1 | PIN D10 X 56 |
| 145725 | 1 | PIN FOR 12 MB BOOM |
| 147643 | 1 | AXLE F.BM BRKQWY. W. ZERT L=426 |
| 160484 | 1 | WIRE GUIDE FOR DROP-LEG |
| 166246 | 1 | WASHER CUP D53 F.SPRING |
| 166865 | 1 | WASHER D35/D25X2 |
| 167907 | 1 | NOZZ. HOLD. KIT F/ADJ. BOOM |
| 172653 | 1 | WING TIP GUARD |
| 172664 | 1 | FLATBAR BACKING PLATE |
| 176982 | 1 | RETAINING PLATE |
| 193756 | 1 | TRACK MB 10,6/12,6M |
| 193920 | 1 | BRACKET F.NOZZLE TRACK |
| 220673 | 1 | SPRING F.PIVOT 100 X 51 |
| 241732 | 1 | RUBBER STOP FOR MB |
| 282564 | 1 | PLUG 35MM SQ.BLACK |
| 333697 | 1 | BUSHING D22/D16x25 |
| 334561 | 1 | PLUG 50x50x2 F.SQ.TUBE |
| 410185 | 1 | BOLT HEX 8.8 DEL M6X16 |
| 410443 | 1 | BOLT HEX 8.8 DEL M6X70 |
| 421024 | 1 | BOLT HEX 8.8 DEL M8X60 |
| 421083 | 1 | BOLT HEX 8.8 DEL M10X65 |
| 430463 | 1 | BOLT HEX 8.8 DEL M16X110 |
| 440701 | 1 | SCREW NO.14 3/4" PLATED |
| 460143 | 1 | LOCK NUT M8 SST A2 DIN985 |
| 460261 | 1 | NUT HEX M6X1.00 LOCK DIN985 A2 SS |
| 460423 | 1 | NUT HEX M10X1.50 LOCK DIN985A2 SS |
| 460585 | 1 | LOCKING NUT M16 DIN985 A2 SS |
| 461228 | 1 | NUT HEX M20 |
| 461251 | 1 | NUT HEX M20 X 2.5 JAMB |
| 470061 | 1 | WASHER D11/D7X0.5 LOCK |
| 470573 | 1 | WASHER D29/D17X2 SPRING BLACK |
| 471122 | 1 | WASHER, M10, Ø20/10.5X 2.0, SS |
| 471128 | 1 | WASHER, M16, Ø30/17.0X 3.0, SS |
| 480244 | 1 | PIN SNAP D4.5 |
| 612205 | 1 | TRAPEZE ARM,WELDED |
| 613487 | 1 | TRANSPORT FITTINGS FOR SB BOOM |
| 613627 | 1 | LOCK STRAP FOR MB BOOM |
| 634281 | 1 | BOOM CENTER MB 35/40/42 |
| 634303 | 1 | BOOM WING OUTER 33' MB L=47' |
| 634314 | 1 | BOOM WING OUTER 40', 45' MB |
| 635316 | 1 | BOOM WING OUTER MB42 |
| 635327 | 1 | BOOM WING OUTER 35'MB L=58.5" |
| 635850 | 1 | BOOM WING INNER MB35/40/42 |
| 723612 | 1 | CENTER PART MB BOOM |



D0140



BOOM - MB 45' 50'
D0140-HIN, 26:07:16

Page 1

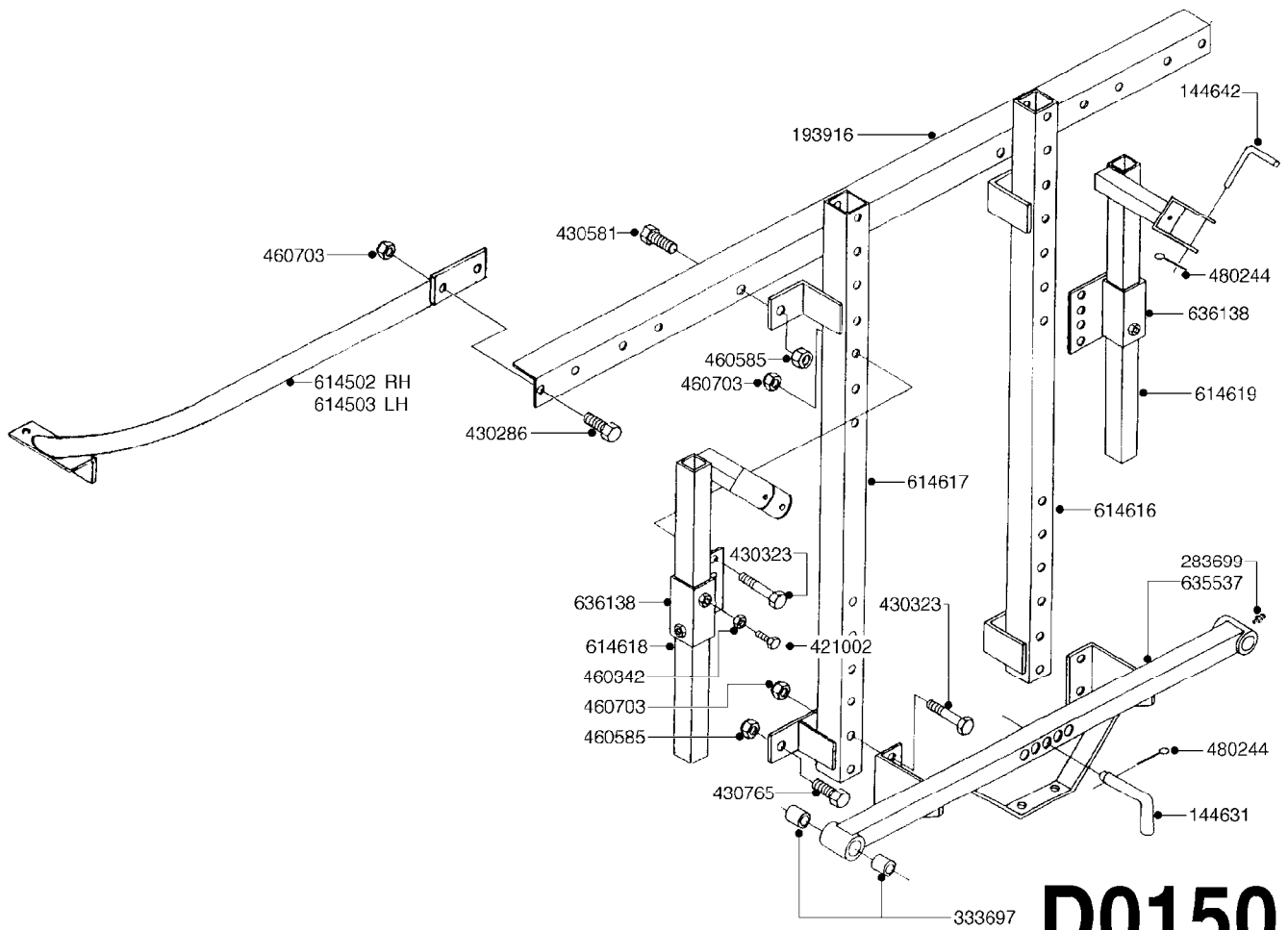
Date 12.08.2020 9:25

| parts-n° | order qty | description |
|----------|-----------|---------------------------------------|
| 111344 | 1 | CLAW CLUTCH Ø100/Ø20,5 UNDER PART RED |
| 111387 | 1 | CLAW CLUTCH D100 UPPER PART |
| 143754 | 1 | PIN D10 X 56 |
| 144631 | 1 | LOCKING PAWL |
| 145725 | 1 | PIN FOR 12 MB BOOM |
| 147643 | 1 | AXLE F.BM BRKWKY. W. ZERT L=426 |
| 160484 | 1 | WIRE GUIDE FOR DROP-LEG |
| 166246 | 1 | WASHER CUP D53 F.SPRING |
| 166865 | 1 | WASHER D35/D25X2 |
| 167907 | 1 | NOZZ. HOLD. KIT F/ADJ. BOOM |
| 172653 | 1 | WING TIP GUARD |
| 172664 | 1 | FLATBAR BACKING PLATE |
| 176982 | 1 | RETAINING PLATE |
| 193174 | 1 | NOZ TRACK 6,6-8,6-10,6-12,M SB |
| 193920 | 1 | BRACKET F.NOZZLE TRACK |
| 220673 | 1 | SPRING F.PIVOT 100 X 51 |
| 241732 | 1 | RUBBER STOP FOR MB |
| 282564 | 1 | PLUG 35MM SQ.BLACK |
| 283699 | 1 | GREASE NIPPLE M6X1 |
| 333697 | 1 | BUSHING D22/D16x25 |
| 334561 | 1 | PLUG 50x50x2 F.SQ.TUBE |
| 410185 | 1 | BOLT HEX 8.8 DEL M6X16 |
| 410443 | 1 | BOLT HEX 8.8 DEL M6X70 |
| 421024 | 1 | BOLT HEX 8.8 DEL M8X60 |
| 421083 | 1 | BOLT HEX 8.8 DEL M10X65 |
| 430463 | 1 | BOLT HEX 8.8 DEL M16X110 |
| 440701 | 1 | SCREW NO.14 3/4" PLATED |
| 460143 | 1 | LOCK NUT M8 SST A2 DIN985 |
| 460261 | 1 | NUT HEX M6X1.00 LOCK DIN985 A2 SS |
| 460423 | 1 | NUT HEX M10X1.50 LOCK DIN985A2 SS |
| 460585 | 1 | LOCKING NUT M16 DIN985 A2 SS |
| 461228 | 1 | NUT HEX M20 |
| 461251 | 1 | NUT HEX M20 X 2.5 JAMB |
| 470061 | 1 | WASHER D11/D7X0.5 LOCK |
| 470573 | 1 | WASHER D29/D17X2 SPRING BLACK |
| 471122 | 1 | WASHER, M10, Ø20/10.5X 2.0, SS |
| 471128 | 1 | WASHER, M16, Ø30/17.0X 3.0, SS |
| 480244 | 1 | PIN SNAP D4.5 |
| 612205 | 1 | TRAPEZE ARM,WELDED |
| 613487 | 1 | TRANSPORT FITTINGS FOR SB BOOM |
| 613627 | 1 | LOCK STRAP FOR MB BOOM |
| 634222 | 1 | BOOM CENTER 45/50 |
| 634244 | 1 | BOOM WING OUTER MB50 |
| 634314 | 1 | BOOM WING OUTER 40', 45' MB |
| 635851 | 1 | BOOM WING INNER MB45/50 |
| 726166 | 1 | TRAPEZE FRAME |



BOOM - MB H-FRAME ML-TRAILER
D0150-HIN, 01:01:16

Page 0
Date 12.08.2020 9:25



D0150

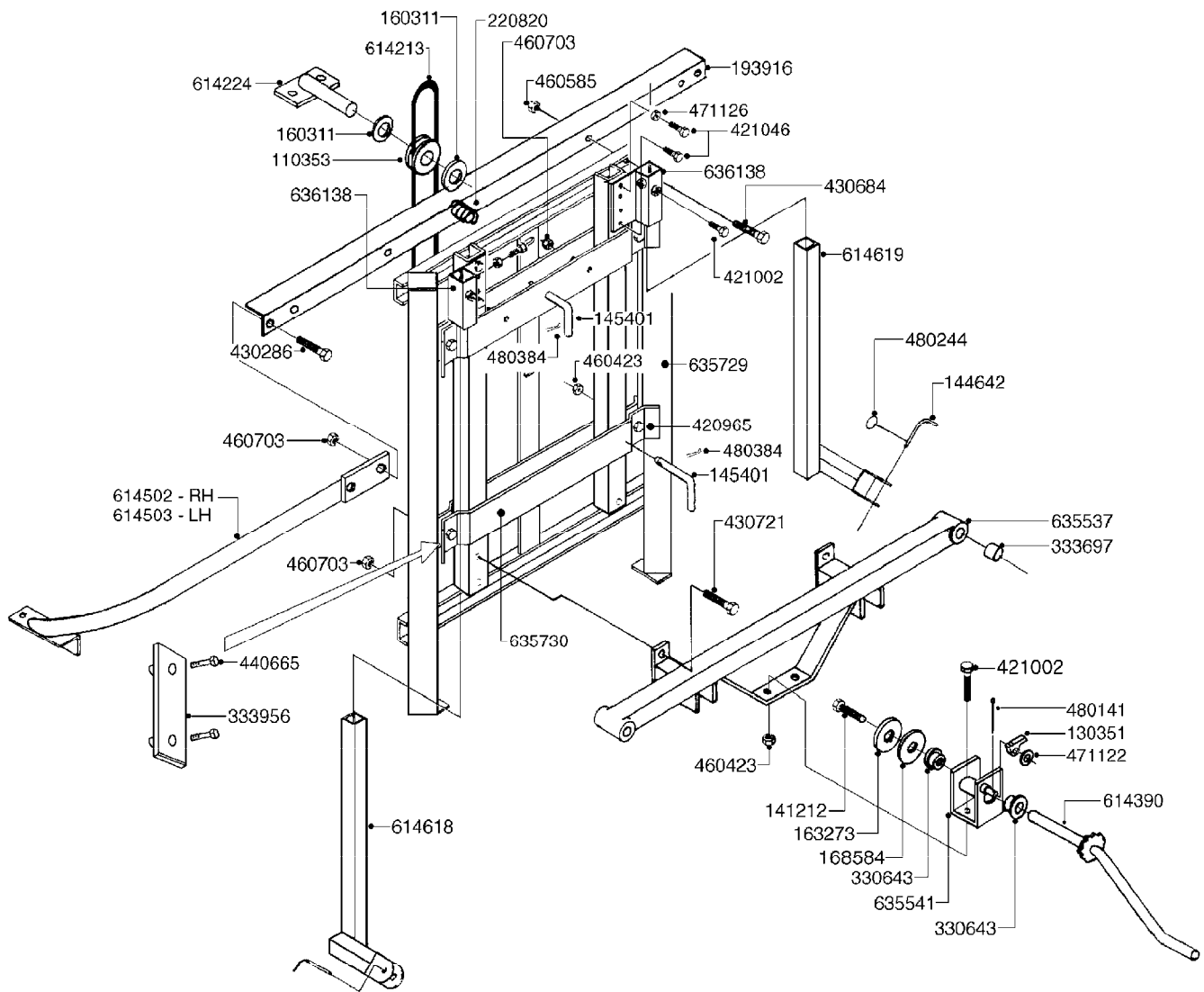


BOOM - MB H-FRAME ML-TRAILER
D0150-HIN, 01:01:16

Page 1

Date 12.08.2020 9:25

| parts-n° | order qty | description |
|----------|-----------|-----------------------------------|
| 144631 | 1 | LOCKING PAWL |
| 144642 | 1 | LOCKING PAWL D10X65MM |
| 193916 | 1 | ANGLE IRON FOR MB BOOM BKTS. |
| 283699 | 1 | GREASE NIPPLE M6X1 |
| 333697 | 1 | BUSHING D22/D16x25 |
| 421002 | 1 | BOLT HEX 8.8 DEL M10X30 FT DIN933 |
| 430286 | 1 | BOLT HEX 8.8 DEL M12X30 FT |
| 430323 | 1 | BOLT HEX 8.8 DEL M12X60 |
| 430581 | 1 | BOLT HEX 8.8 DEL M16X40 FT |
| 430765 | 1 | BOLT HEX 8.8 DEL M16X55 |
| 460342 | 1 | NUT HEX M10 DEL DIN934 |
| 460585 | 1 | LOCKING NUT M16 DIN985 A2 SS |
| 460703 | 1 | NUT HEX M12X1.75 LOCK DIN985A2 SS |
| 480244 | 1 | PIN SNAP D4.5 |
| 614502 | 1 | INCLINED BRACE RIGHT CAN |
| 614503 | 1 | INCLINED BRACE LEFT CAN |
| 614616 | 1 | H FRAME TUBE TL RIGHT |
| 614617 | 1 | H FRAME TUBE TL LEFT |
| 614618 | 1 | TRANS BRKT. F/MB BOOM (SHORT) |
| 614619 | 1 | TRANS BRKT. F/MB BOOM (LONG) |
| 635537 | 1 | TRAPEZE FRAME |
| 636138 | 1 | BRACKET |



COMPLETE ASSEMBLIES
WHOLEGOODS ITEMS

831239: COMPLETE WINCH KIT

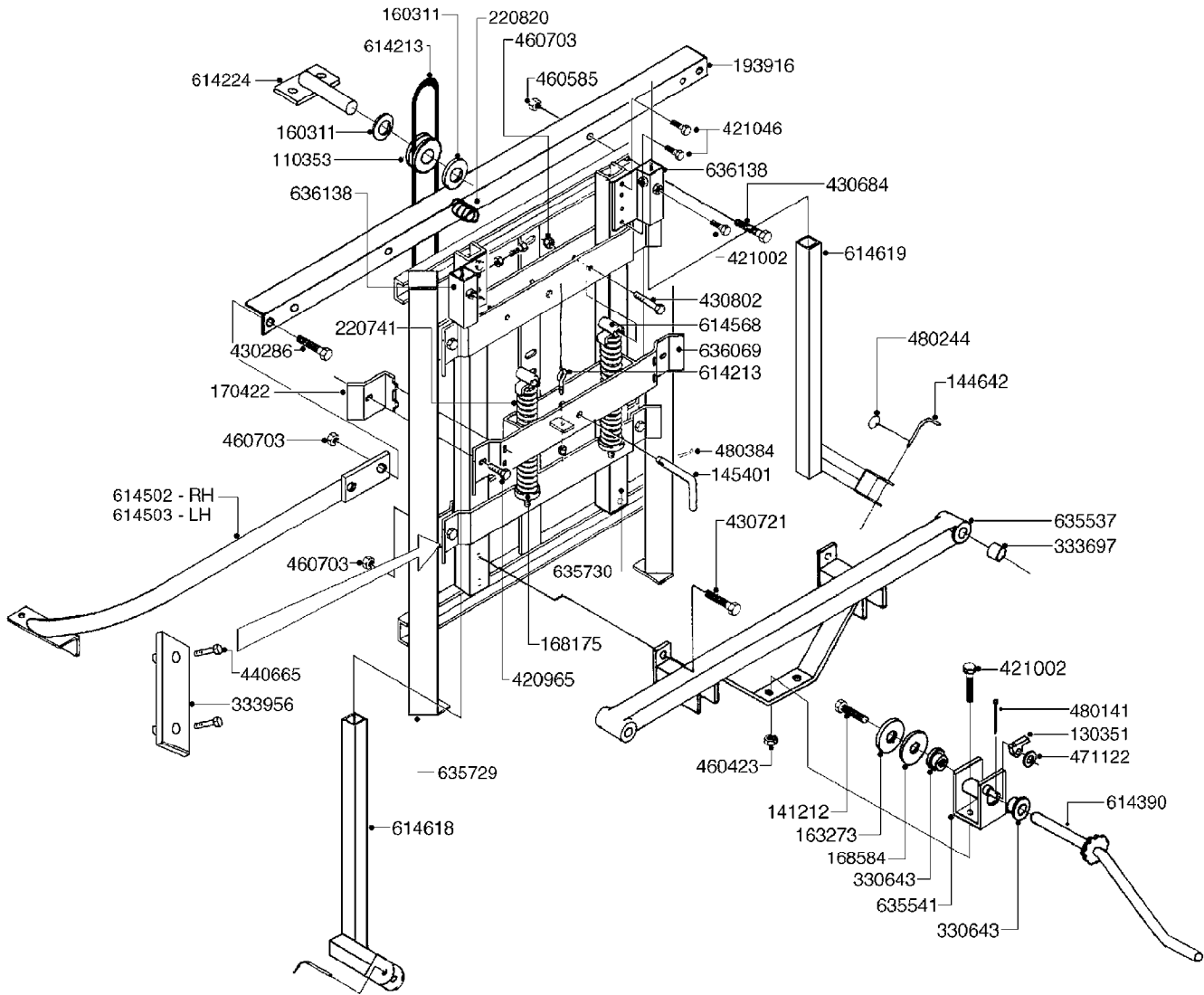
D0160



BOOM-MB H-FRM 35'42' WL SKD MT
D0160-HIN, 01:01:16

Page 1
Date 12.08.2020 9:25

| parts-n° | order qty | description |
|----------|-----------|-----------------------------------|
| 110353 | 1 | PULLEY S 63-1 FOR BOOM LIFT |
| 130351 | 1 | PAWL FOR BOOM LIFT |
| 141212 | 1 | BOLT FOR CABLE LOCK |
| 144642 | 1 | LOCKING PAWL D10X65MM |
| 145401 | 1 | PAWL |
| 160311 | 1 | WASHER D30/D20.4X2 |
| 163273 | 1 | WASHER FOR WINCH W. D14 RED |
| 168584 | 1 | WASHER F.SPRING D59 RED |
| 193916 | 1 | ANGLE IRON FOR MB BOOM BKTS. |
| 220820 | 1 | SPRING D20.5/2.0 0-50MM |
| 330643 | 1 | NYLON BUSH D28/D20/19 |
| 333697 | 1 | BUSHING D22/D16x25 |
| 333956 | 1 | SLIDE SHOE 91X25X10 |
| 420965 | 1 | M10X40 MACHINE SCREW STAINLESS |
| 421002 | 1 | BOLT HEX 8.8 DEL M10X30 FT DIN933 |
| 421046 | 1 | BOLT HEX M8X25/25 A2 SS DIN933 |
| 430286 | 1 | BOLT HEX 8.8 DEL M12X30 FT |
| 430684 | 1 | BOLT HEX 8.8 DEL M16X30 FT |
| 430721 | 1 | BOLT HEX 8.8 DEL M12X40 FT |
| 440665 | 1 | SCREW M4.2X16 STAINLESS |
| 460423 | 1 | NUT HEX M10X1.50 LOCK DIN985A2 SS |
| 460585 | 1 | LOCKING NUT M16 DIN985 A2 SS |
| 460703 | 1 | NUT HEX M12X1.75 LOCK DIN985A2 SS |
| 471122 | 1 | WASHER, M10, Ø20/10.5X 2.0, SS |
| 471126 | 1 | WASHER, M8, Ø16/ 8.4X 1.6, SS |
| 480141 | 1 | PIN COTTER M4X20 |
| 480244 | 1 | PIN SNAP D4.5 |
| 480384 | 1 | PIN COTTER 3/16 x 1-1/2" |
| 614213 | 1 | WIRE W EYE BOLT TR/MB CAN. |
| 614224 | 1 | BRACKET FOR WHEEL |
| 614390 | 1 | HANDLE FOR WINCH |
| 614502 | 1 | INCLINED BRACE RIGHT CAN |
| 614503 | 1 | INCLINED BRACE LEFT CAN |
| 614618 | 1 | TRANS BRKT. F/MB BOOM (SHORT) |
| 614619 | 1 | TRANS BRKT. F/MB BOOM (LONG) |
| 635537 | 1 | TRAPEZE FRAME |
| 635541 | 1 | BRACKET |
| 635729 | 1 | OUTER FRAME OFF H-FRAME |
| 635730 | 1 | FRAME INNER F.MB WINCH LIFT |
| 636138 | 1 | BRACKET |
| 831239 | 1 | WINCH CTN.FOR SM/ESC LIFT |



COMPLETE ASSEMBLIES
WHOLEGOODS ITEMS

831239: COMPLETE WINCH KIT

D0170



BOOM-MB H-FRM 45' 50' WL TRLR
D0170-HIN, 01:01:16

Page 1
Date 12.08.2020 9:25

| parts-n° | order qty | description |
|----------|-----------|-----------------------------------|
| 110353 | 1 | PULLEY S 63-1 FOR BOOM LIFT |
| 130351 | 1 | PAWL FOR BOOM LIFT |
| 141212 | 1 | BOLT FOR CABLE LOCK |
| 144642 | 1 | LOCKING PAWL D10X65MM |
| 145401 | 1 | PAWL |
| 160311 | 1 | WASHER D30/D20.4X2 |
| 163273 | 1 | WASHER FOR WINCH W. D14 RED |
| 168175 | 1 | WASHER FOR SUSPENSION DEL |
| 168584 | 1 | WASHER F.SPRING D59 RED |
| 170422 | 1 | BRACKET F.WINCH SPRING KIT |
| 193916 | 1 | ANGLE IRON FOR MB BOOM BKTS. |
| 220741 | 1 | SPRING D46 X 150 |
| 220820 | 1 | SPRING D20.5/2.0 0-50MM |
| 330643 | 1 | NYLON BUSH D28/D20/19 |
| 333697 | 1 | BUSHING D22/D16x25 |
| 333956 | 1 | SLIDE SHOE 91X25X10 |
| 420965 | 1 | M10X40 MACHINE SCREW STAINLESS |
| 421002 | 1 | BOLT HEX 8.8 DEL M10X30 FT DIN933 |
| 421046 | 1 | BOLT HEX M8X25/25 A2 SS DIN933 |
| 430286 | 1 | BOLT HEX 8.8 DEL M12X30 FT |
| 430684 | 1 | BOLT HEX 8.8 DEL M16X30 FT |
| 430721 | 1 | BOLT HEX 8.8 DEL M12X40 FT |
| 430802 | 1 | BOLT HEX 8.8 DEL M12X75 |
| 440665 | 1 | SCREW M4.2X16 STAINLESS |
| 460423 | 1 | NUT HEX M10X1.50 LOCK DIN985A2 SS |
| 460585 | 1 | LOCKING NUT M16 DIN985 A2 SS |
| 460703 | 1 | NUT HEX M12X1.75 LOCK DIN985A2 SS |
| 471122 | 1 | WASHER, M10, Ø20/10.5X 2.0, SS |
| 480141 | 1 | PIN COTTER M4X20 |
| 480244 | 1 | PIN SNAP D4.5 |
| 480384 | 1 | PIN COTTER 3/16 x 1-1/2" |
| 614213 | 1 | WIRE W EYE BOLT TR/MB CAN. |
| 614224 | 1 | BRACKET FOR WHEEL |
| 614390 | 1 | HANDLE FOR WINCH |
| 614502 | 1 | INCLINED BRACE RIGHT CAN |
| 614503 | 1 | INCLINED BRACE LEFT CAN |
| 614568 | 1 | BOLT |
| 614618 | 1 | TRANS BRKT. F/MB BOOM (SHORT) |
| 614619 | 1 | TRANS BRKT. F/MB BOOM (LONG) |
| 635537 | 1 | TRAPEZE FRAME |
| 635541 | 1 | BRACKET |
| 635729 | 1 | OUTER FRAME OFF H-FRAME |
| 635730 | 1 | FRAME INNER F.MB WINCH LIFT |
| 636069 | 1 | BKT. FOR MB WINCH SPRING KIT |
| 636138 | 1 | BRACKET |
| 831239 | 1 | WINCH CTN.FOR SM/ESC LIFT |



BOOM - MB H-FRAME HL
D0180-HIN, 31:03:16

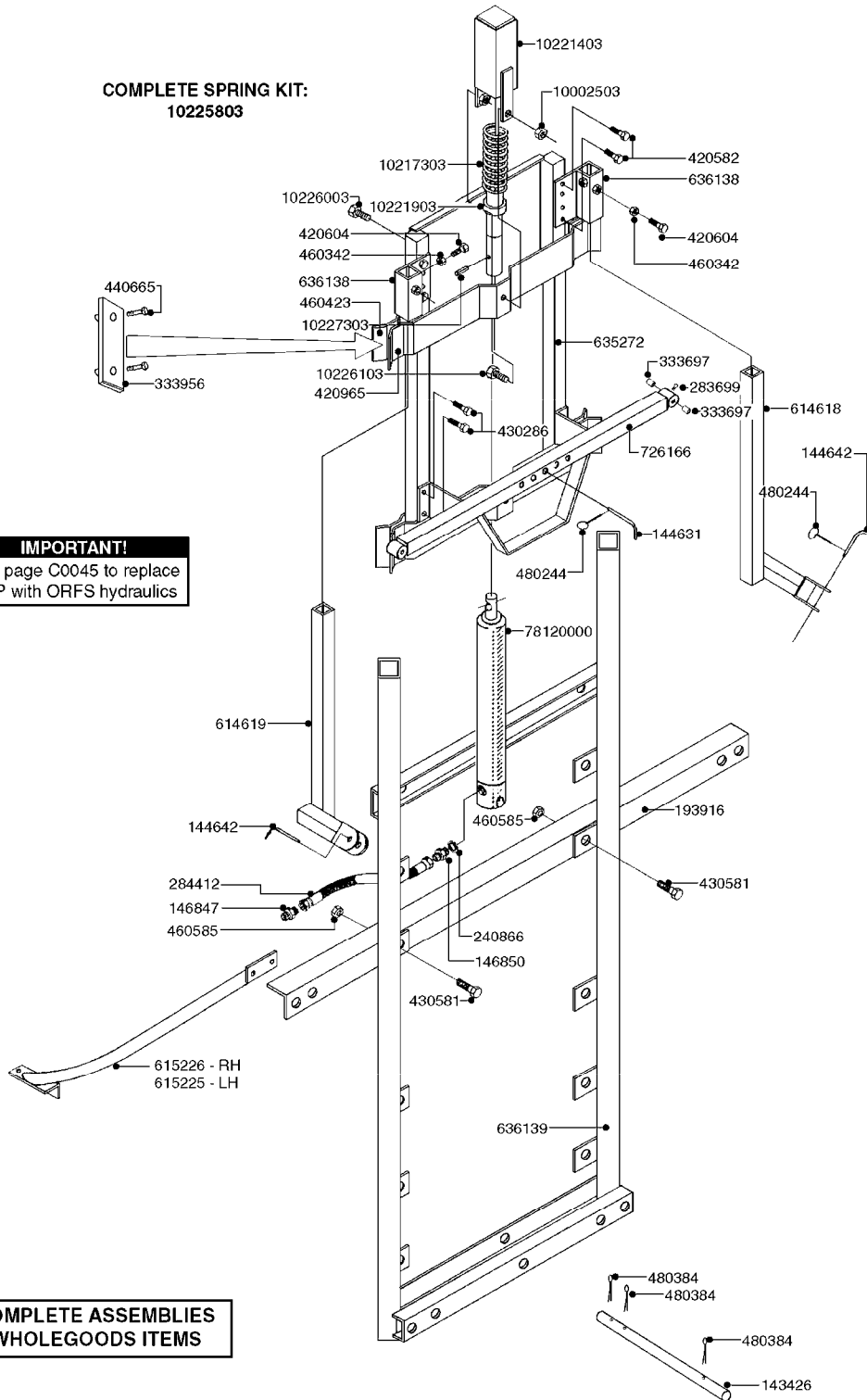
Page

0

Date

12.08.2020

9:25



D0180

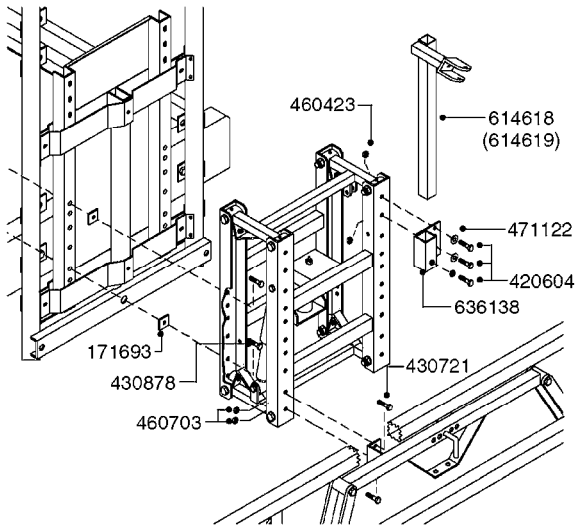


BOOM - MB H-FRAME HL
D0180-HIN, 31:03:16

Page 1

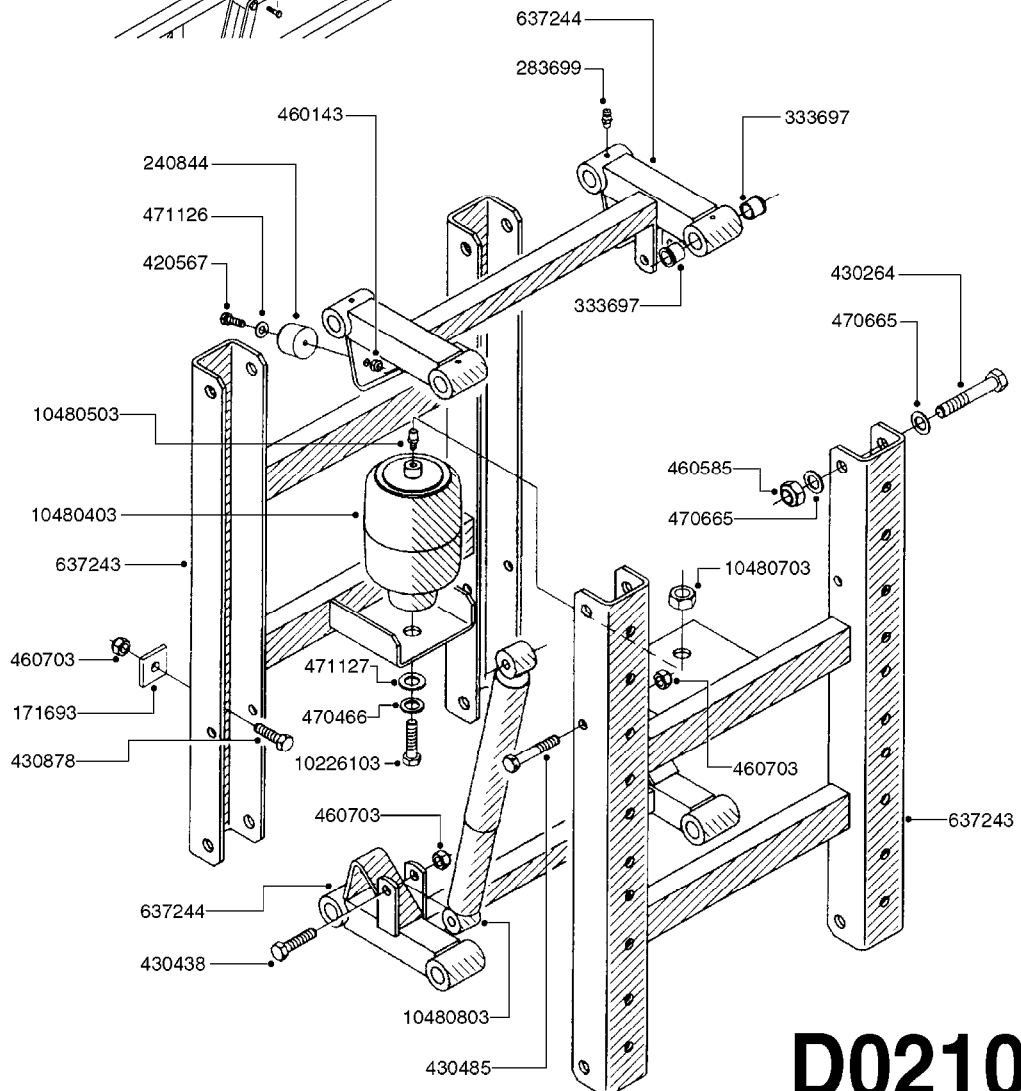
Date 12.08.2020 9:25

| parts-n° | order qty | description |
|----------|-----------|-----------------------------------|
| 143426 | 1 | PIN 20x160mm F/HYD/CYL. |
| 144631 | 1 | LOCKING PAWL |
| 144642 | 1 | LOCKING PAWL D10X65MM |
| 146847 | 1 | HEX NIPPLE 1/2"X3/8" |
| 146850 | 1 | HEX NIPPLE 3/8"x3/8" - 1.8mm |
| 193916 | 1 | ANGLE IRON FOR MB BOOM BKTS. |
| 240866 | 1 | DOWTYSEAL 3/8" |
| 283699 | 1 | GREASE NIPPLE M6X1 |
| 284412 | 1 | HOSE HY 3/8" X 315" STR+STR |
| 333697 | 1 | BUSHING D22/D16x25 |
| 333956 | 1 | SLIDE SHOE 91X25X10 |
| 420582 | 1 | BOLT HEX 8.8 DEL M8X20 FT A2 |
| 420604 | 1 | BOLT HEX 8.8 DEL M10X25 FT DIN933 |
| 420965 | 1 | M10X40 MACHINE SCREW STAINLESS |
| 430286 | 1 | BOLT HEX 8.8 DEL M12X30 FT |
| 430581 | 1 | BOLT HEX 8.8 DEL M16X40 FT |
| 440665 | 1 | SCREW M4.2X16 STAINLESS |
| 460342 | 1 | NUT HEX M10 DEL DIN934 |
| 460423 | 1 | NUT HEX M10X1.50 LOCK DIN985A2 SS |
| 460585 | 1 | LOCKING NUT M16 DIN985 A2 SS |
| 480244 | 1 | PIN SNAP D4.5 |
| 480384 | 1 | PIN COTTER 3/16 x 1-1/2" |
| 614618 | 1 | TRANS BRKT. F/MB BOOM (SHORT) |
| 614619 | 1 | TRANS BRKT. F/MB BOOM (LONG) |
| 615225 | 1 | SIDE BRACE LEFT 500 EAGLE |
| 615226 | 1 | SIDE BRACE RIGHT 500 EAGLE |
| 635272 | 1 | SLIDE |
| 636138 | 1 | BRACKET |
| 636139 | 1 | H FRAME HY LIFT 300/500 MB |
| 726166 | 1 | TRAPEZE FRAME |
| 10002503 | 1 | NUT HEX NC 1/2" |
| 10217303 | 1 | SPRING FOR 45/50 MB HY LIFT |
| 10221403 | 1 | BOX W/M F.SPRING 45/50 MB HY |
| 10221903 | 1 | SLEEVE W/M F.45/50 MB HY |
| 10225803 | 1 | SPRING KIT FOR MB HYDRAULIC |
| 10226003 | 1 | BOLT HEX 3/8 NC GR.5 00.75" |
| 10226103 | 1 | BOLT HEX 1/2 NC GR.2 01.00" |
| 10227303 | 1 | PIN ROLL 3/16 X 1.25 |
| 78120000 | 1 | CYL.TELESCOPING Ø50/40/25_1100 |



MB Air Kit (Infield): 10477203

**COMPLETE ASSEMBLIES
WHOLEGOODS ITEMS**



D0210



BOOM - MB AIR SUSPSN (HL ONLY)
D0210-HIN, 01:01:16

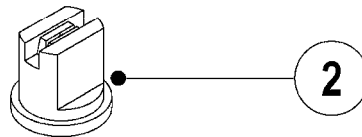
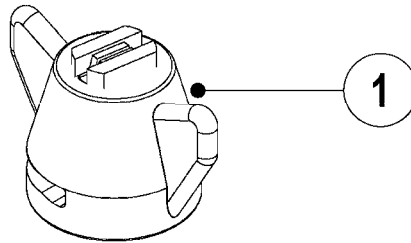
Page 1

Date 12.08.2020 9:25

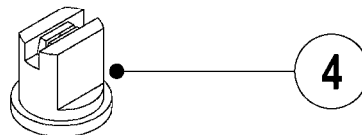
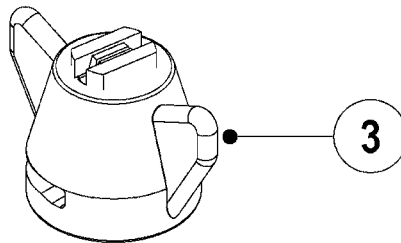
| parts-n° | order qty | description |
|----------|-----------|-----------------------------------|
| 10226103 | 1 | BOLT HEX 1/2 NC GR.2 01.00" |
| 10477203 | 1 | MB AIR SUSPENSION KIT |
| 10480403 | 1 | AIR BAG FOR MB SUSPENSION |
| 10480503 | 1 | TANK VALVE 1/8"NPT |
| 10480703 | 1 | NUT HEX NF 3/4"JAM |
| 10480803 | 1 | SHOCK FOR MB SUSP. |
| 171693 | 1 | SPACER M40X40X3/D13 |
| 240844 | 1 | RUBBER STOP Ø39X32 |
| 283699 | 1 | GREASE NIPPLE M6X1 |
| 333697 | 1 | BUSHING D22/D16x25 |
| 420567 | 1 | BOLT HEX 8.8 DEL M8X30 FT |
| 420604 | 1 | BOLT HEX 8.8 DEL M10X25 FT DIN933 |
| 430264 | 1 | BOLT HEX 8.8 DEL M16X100 |
| 430438 | 1 | BOLT HEX 8.8 DEL M12X65 |
| 430485 | 1 | BOLT HEX 8.8 DEL M12X90 |
| 430721 | 1 | BOLT HEX 8.8 DEL M12X40 FT |
| 430878 | 1 | BOLT HEX 8.8 DEL M12X45 DIN931 |
| 460143 | 1 | LOCK NUT M8 SST A2 DIN985 |
| 460423 | 1 | NUT HEX M10X1.50 LOCK DIN985A2 SS |
| 460585 | 1 | LOCKING NUT M16 DIN985 A2 SS |
| 460703 | 1 | NUT HEX M12X1.75 LOCK DIN985A2 SS |
| 470466 | 1 | WASHER D21.1/D12.2X2.5 LOCK |
| 470665 | 1 | WASHER D16.5/D26X1.2 LOCK |
| 471122 | 1 | WASHER, M10, Ø20/10.5X 2.0, SS |
| 471126 | 1 | WASHER, M8, Ø16/ 8.4X 1.6, SS |
| 471127 | 1 | WASHER, M12, Ø24/13X24X2.5 SS |
| 614618 | 1 | TRANS BRKT. F/MB BOOM (SHORT) |
| 614619 | 1 | TRANS BRKT. F/MB BOOM (LONG) |
| 636138 | 1 | BRACKET |
| 637243 | 1 | FRAME F.MB-SUSPENSION |
| 637244 | 1 | SWING ARM F.MB-SUSPENSION |



SYNTAL



CERAMIC



D1000



BOOM-NOZZLES 110° FLAT FAN ISO
D1000-HIN, 01:01:16

Page

1

Date

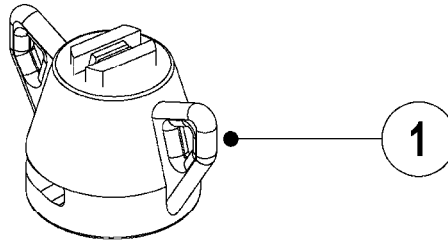
12.08.2020

9:25

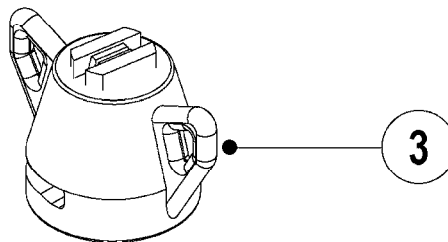
| Pos. | parts-n° | order qty | description |
|------|----------|-----------|--------------------------------|
| 1 | 371764 | 1 | NOZZLE ISO CT F-01-110 ORANGE |
| 1 | 371765 | 1 | NOZZLE ISO CT F-015-110 GREEN |
| 1 | 371766 | 1 | NOZZLE ISO CT F-02-110 YELLOW |
| 1 | 371767 | 1 | NOZZLE ISO CT F-03-110 BLUE |
| 1 | 371768 | 1 | NOZZLE ISO CT F-04-110 RED |
| 1 | 371769 | 1 | NOZZLE ISO CT F-05-110 BROWN |
| 1 | 371770 | 1 | NOZZLE ISO CT F-06-110 GREY |
| 1 | 371771 | 1 | NOZZLE ISO CT F-08-110 WHITE |
| 1 | 371950 | 1 | NOZZLE ISO CT F-025-110 LILAC |
| 1 | 371964 | 1 | NOZZLE ISO CT F-075-110 PINK |
| 1 | 371970 | 1 | NOZZLE ISO CT F-10-110 LT BLUE |
| 2 | 371706 | 1 | NOZZLE ISO F-01-110 ORANGE |
| 2 | 371707 | 1 | NOZZLE ISO F-015-110 GREEN |
| 2 | 371708 | 1 | NOZZLE ISO F-02-110 YELLOW |
| 2 | 371709 | 1 | NOZZLE ISO F-03-110 BLUE |
| 2 | 371710 | 1 | NOZZLE ISO F-04-110 RED |
| 2 | 371711 | 1 | NOZZLE ISO F-05-110 BROWN |
| 2 | 371712 | 1 | NOZZLE ISO F-06-110 GREY |
| 2 | 371713 | 1 | NOZZLE ISO F-08-110 WHITE |
| 2 | 371946 | 1 | NOZZLE ISO F-025-110 LILAC |
| 2 | 371963 | 1 | NOZZLE ISO F-075-110 PINK |
| 2 | 371966 | 1 | NOZZLE ISO F-10-110 LT BLUE |
| 3 | 371772 | 1 | NOZZLE ISO CT F-015-110C GREEN |
| 3 | 371773 | 1 | NOZZLE ISO CT F-02-110C YELLOW |
| 3 | 371774 | 1 | NOZZLE ISO CT F-03-110C BLUE |
| 3 | 371775 | 1 | NOZZLE ISO CT F-04-110C RED |
| 3 | 371776 | 1 | NOZZLE ISO CT F-05-110C BROWN |
| 3 | 371777 | 1 | NOZZLE ISO CT F-06-110C GREY |
| 4 | 371738 | 1 | NOZZLE ISO F-015-110C GREEN |
| 4 | 371739 | 1 | NOZZLE ISO F-02-110C YELLOW |
| 4 | 371740 | 1 | NOZZLE ISO F-03-110C BLUE |
| 4 | 371741 | 1 | NOZZLE ISO F-04-110C RED |
| 4 | 371742 | 1 | NOZZLE ISO F-05-110C BROWN |
| 4 | 371743 | 1 | NOZZLE ISO F-06-110C GREY |



SYNTAL



CERAMIC



D1010



BOOM-NOZZLES 110° LOWDRIFT ISO
D1010-HIN, 01:01:16

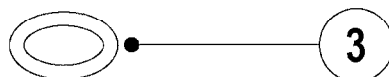
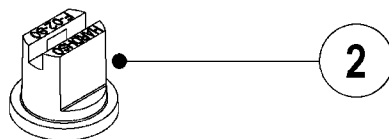
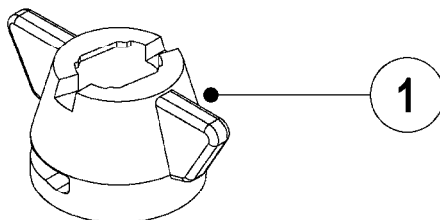
Page 1

Date 12.08.2020 9:25

| Pos. | parts-n° | order qty | description |
|------|----------|-----------|--------------------------------|
| 1 | 371837 | 1 | NOZZLE ISO CT LD-01-110 ORANGE |
| 1 | 371838 | 1 | NOZZLE ISO CT LD-015-110 GREEN |
| 1 | 371839 | 1 | NOZZLE ISO CT LD-02-110 YELLOW |
| 1 | 371840 | 1 | NOZZLE ISO CT LD-03-110 BLUE |
| 1 | 371841 | 1 | NOZZLE ISO CT LD-04-110 RED |
| 1 | 371894 | 1 | NOZZLE ISO CT LD-05-110 BROWN |
| 1 | 371958 | 1 | NOZZLE ISO CT LD-025-110 LILAC |
| 2 | 371817 | 1 | NOZZLE ISO LD-01-110 ORANGE |
| 2 | 371818 | 1 | NOZZLE ISO LD-015-110 GREEN |
| 2 | 371819 | 1 | NOZZLE ISO LD-02-110 YELLOW |
| 2 | 371820 | 1 | NOZZLE ISO LD-03-110 BLUE |
| 2 | 371821 | 1 | NOZZLE ISO LD-04-110 RED |
| 2 | 371893 | 1 | NOZZLE ISO LD-05-110 BROWN |
| 2 | 371957 | 1 | NOZZLE ISO LD-025-110 LILAC |
| 3 | 371842 | 1 | NOZZLE ISO CT LD-01-110C ORANG |
| 3 | 371843 | 1 | NOZZLE ISO CT LD-015-110C GRN |
| 3 | 371844 | 1 | NOZZLE ISO CT LD-02-110C YELLO |
| 3 | 371845 | 1 | NOZZLE ISO CT LD-03-110C BLUE |
| 3 | 371846 | 1 | NOZZLE ISO CT LD-04-110C RED |
| 3 | 371897 | 1 | NOZZLE ISO CT LD-05-110C BROWN |
| 4 | 371822 | 1 | NOZZLE ISO LD-01-110C ORANGE |
| 4 | 371823 | 1 | NOZZLE ISO LD-015-110C GREEN |
| 4 | 371824 | 1 | NOZZLE ISO LD-02-110C YELLOW |
| 4 | 371825 | 1 | NOZZLE ISO LD-03-110C BLUE |
| 4 | 371826 | 1 | NOZZLE ISO LD-04-110C RED |
| 4 | 371896 | 1 | NOZZLE ISO LD-05-110C BROWN |



SYNTAL



D1020

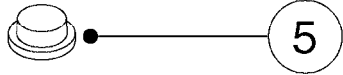


BOOM-NOZZLES 80° FLAT FAN ISO
D1020-HIN, 01:01:16

Page 1

Date 12.08.2020 9:25

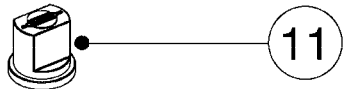
| Pos. | parts-n° | order qty | description |
|------|----------|-----------|--------------------------------|
| 1 | 334083 | 1 | SNAP-FIT NOZZLE HOLDER SS BLCK |
| 2 | 371931 | 1 | SYNTAL ISO F-01-80 TIP ORNG |
| 2 | 371932 | 1 | SYNTAL ISO F-015-80 TIP GREEN |
| 2 | 371933 | 1 | SYNTAL ISO F-02-80 TIP YELLOW |
| 2 | 371934 | 1 | SYNTAL ISO F-03-80 TIP BLUE |
| 3 | 10423503 | 1 | O-RING 9.12x3.53 NITRIL |



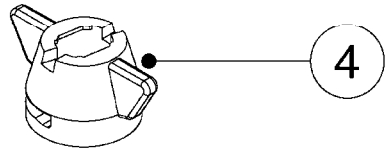
5



14



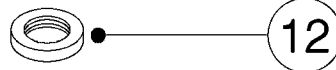
11



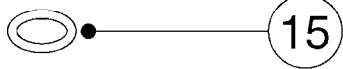
4



13



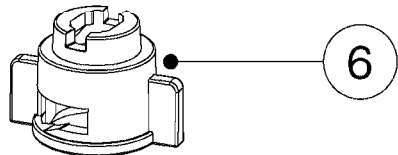
12



15



10



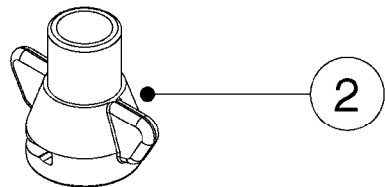
6



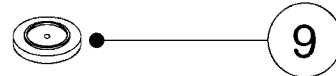
8



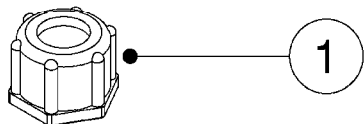
16



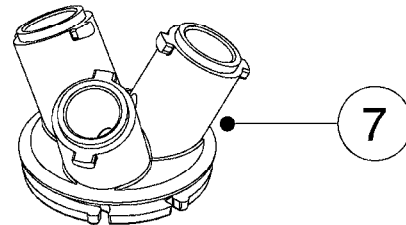
2



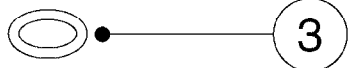
9



1



7



3

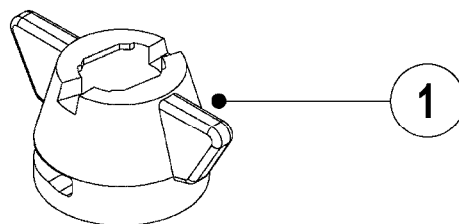
D1030



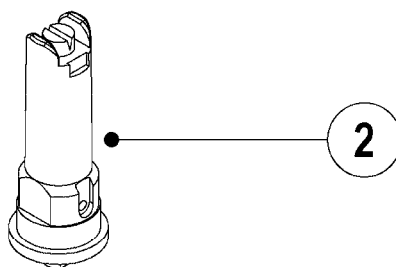
BOOM-NOZZLE CAPS AND FILTERS
D1030-HIN, 28:11:17

Page 1
Date 12.08.2020 9:25

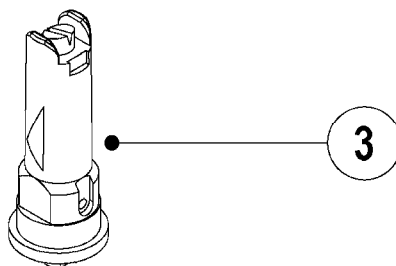
| Pos. | parts-n° | order qty | description |
|------|----------|-----------|---------------------------------------|
| 1 | 320187 | 1 | FITT.DK CAP 3/8" BSP BLACK |
| 1 | 321517 | 1 | FITT.DK CAP 3/8" BSP WHITE |
| | | | ALWAYS USE WITH ISO AND INJET NOZZLES |
| 1 | 321797 | 1 | FITT.DK CAP 3/8' BSP BLUE |
| 1 | 321801 | 1 | FITT.DK CAP 3/8' BSP GREEN |
| 1 | 321812 | 1 | FITT.DK CAP 3/8' BSP RED |
| 1 | 321823 | 1 | FITT.DK CAP 3/8' BSP ORANGE |
| 1 | 321834 | 1 | FITT.DK CAP 3/8' BSP YELLOW |
| 2 | 322068 | 1 | SNAP-FIT ADAPTER THREAD. HARDI |
| 3 | 330013 | 1 | O-RING 2.5 X 10 PUR |
| 4 | 334083 | 1 | SNAP-FIT NOZZLE HOLDER SS BLCK |
| 5 | 334102 | 1 | BLANK F.NOZZLE |
| 6 | 334862 | 1 | NOZZLE CAP TJBLACK F.ISO/INJET |
| 7 | 334926 | 1 | SNAP-FIT TURN PLATE F TRIPLET |
| 8 | 370016 | 1 | NOZZLE CONE JET 1553-08 |
| 8 | 370027 | 1 | NOZZLE CONE JET 1553-10 |
| 8 | 370031 | 1 | NOZZLE CONE JET 1553-12 |
| 8 | 370042 | 1 | NOZZLE CONE JET 1553-14 |
| 8 | 370053 | 1 | NOZZLE CONE JET 1553-16 |
| 8 | 370064 | 1 | NOZZLE CONE JET 1553-18 |
| 8 | 370075 | 1 | NOZZLE CONE JET 1553-20 |
| 8 | 370086 | 1 | NOZZLE CONE JET 1553-22 |
| 8 | 370097 | 1 | NOZZLE CONE JET 1553-24 |
| 8 | 370101 | 1 | NOZZLE CONE JET 1553-30 |
| 8 | 370112 | 1 | NOZZLE CONE JET 1553-35 |
| 8 | 370123 | 1 | NOZZLE CONE JET 1553-40 |
| 9 | 370134 | 1 | NOZZLE SWIRL 1554-GREY |
| 9 | 370145 | 1 | NOZZLE SWIRL 1554-BLACK |
| 9 | 370156 | 1 | NOZZLE SWIRL 1554-BLUE |
| 9 | 370167 | 1 | NOZZLE SWIRL 1554-1.3 WHITE |
| 10 | 371551 | 1 | NOZZ LRG DROP FLAT SPRAY SINGL |
| 11 | 372140 | 1 | HARDI ISO BLIND CAP |
| 12 | 390639 | 1 | O-RING F.NOZZLE FILTER |
| 13 | 614366 | 1 | FILTER 50 MESH F.NOZZLE BLUE |
| 13 | 614367 | 1 | FILTER 80 MESH F.NOZZLE RED |
| 13 | 614368 | 1 | FILTER 100 MESH F.NOZZLE YEL. |
| 14 | 725042 | 1 | SCREEN 80 MESH W.GASKET, RED |
| 14 | 725043 | 1 | SCREEN 50 MESH W.GASKET,BLUE |
| 14 | 725044 | 1 | SCREEN 100 MESH W.GASKET,YELLO |
| 15 | 10423503 | 1 | O-RING 9.12x3.53 NITRIL |
| 16 | 24022901 | 1 | GASKET D10X19 EP 3.2 |



INJET Nozzle SYNTAL



B-JET Nozzle SYNTAL



D1040



BOOM-NOZZLES INJET
D1040-HIN, 01:01:16

Page 1

Date 12.08.2020 9:25

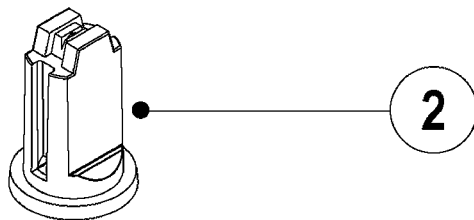
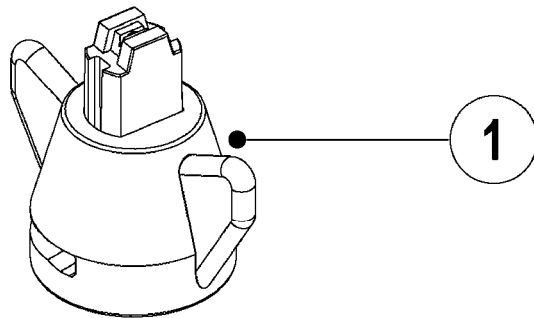
| Pos. | parts-n° | order qty | description |
|------|----------|-----------|--------------------------------|
| 1 | 334083 | 1 | SNAP-FIT NOZZLE HOLDER SS BLCK |
| 2 | 371872 | 1 | NOZZLE INJET 015 GREEN SINGLE |
| 2 | 371873 | 1 | NOZZLE INJET 02 YELLOW SINGLE |
| 2 | 371874 | 1 | NOZZLE INJET 025 LILAC SINGLE |
| 2 | 371875 | 1 | NOZZLE INJET 03 BLUE SINGLE |
| 2 | 371876 | 1 | NOZZLE INJET 04 RED SINGLE |
| 2 | 371926 | 1 | NOZZLE INJET 01 ORANGE SINGLE |
| 2 | 371927 | 1 | NOZZLE INJET 05 BROWN SINGLE |
| 2 | 371928 | 1 | NOZZLE INJET 06 GREY SINGLE |
| 2 | 371929 | 1 | NOZZLE INJET 08 WHITE SINGLE |
| 3 | 371870 | 1 | NOZZLE B-JET 03 BLUE |
| 3 | 371871 | 1 | NOZZLE B-JET 04 RED |
| 3 | 371877 | 1 | NOZZLE B-JET 025 LILAC |
| 3 | 371930 | 1 | NOZZLE B-JET 02 YELLOW |



BOOM-NOZZLES MINIDRIFT
D1050-HIN, 01:01:16

Page 0

Date 12.08.2020 9:25



D1050

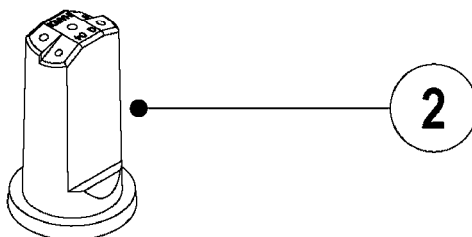
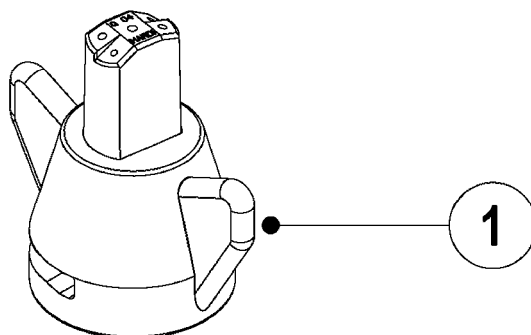


BOOM-NOZZLES MINIDRIFT
D1050-HIN, 01:01:16

Page 1

Date 12.08.2020 9:25

| Pos. | parts-n° | order qty | description |
|------|----------|-----------|--------------------------------|
| 1 | 372121 | 1 | NOZZLE ISO CT MD-015-110 GREEN |
| 1 | 372122 | 1 | NOZZLE ISO CT MD-02-110 YELLOW |
| 1 | 372123 | 1 | NOZZLE ISO CT MD-025-110 LILAC |
| 1 | 372124 | 1 | NOZZLE ISO CT MD-03-110 BLUE |
| 1 | 372125 | 1 | NOZZLE ISO CT MD-04-110 RED |
| 1 | 372126 | 1 | NOZZLE ISO CT MD-05-110 BROWN |
| 2 | 372111 | 1 | NOZZLE ISO MD-015-110 GREEN |
| 2 | 372112 | 1 | NOZZLE ISO MD-02-110 YELLOW |
| 2 | 372113 | 1 | NOZZLE ISO MD-025-110 LILAC |
| 2 | 372114 | 1 | NOZZLE ISO MD-03-110 BLUE |
| 2 | 372115 | 1 | NOZZLE ISO MD-04-110 RED |
| 2 | 372116 | 1 | NOZZLE ISO MD-05-110 BROWN |



D1060

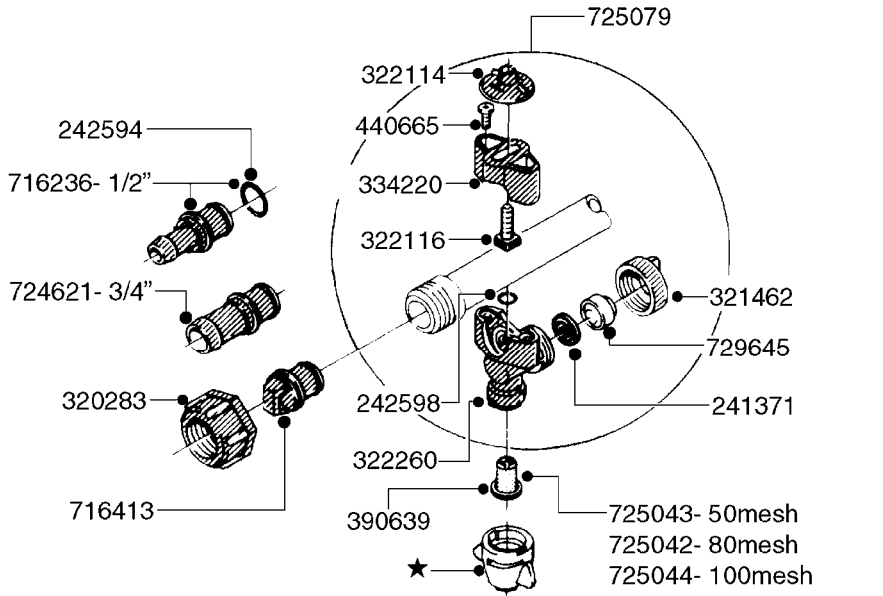


BOOM-NOZZLES QUINTASTREAM
D1060-HIN, 01:01:16

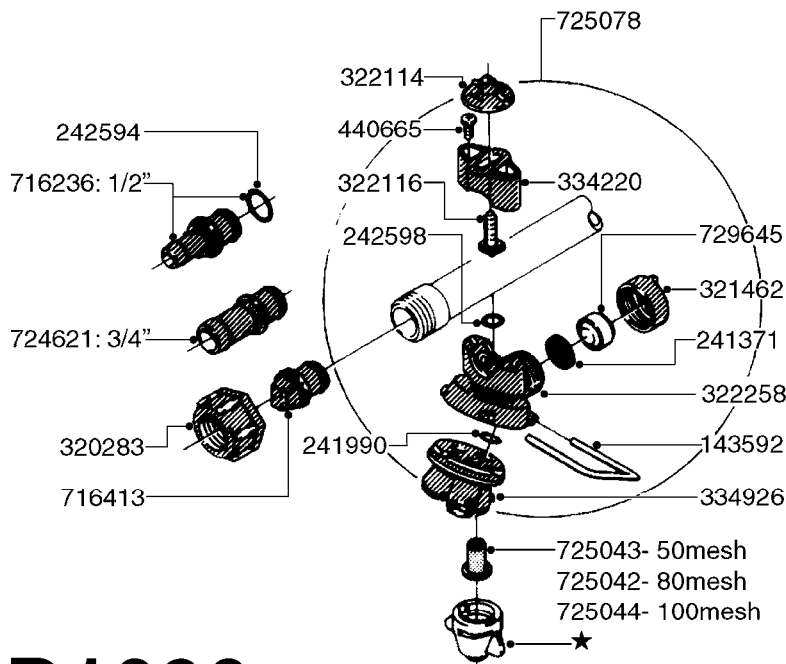
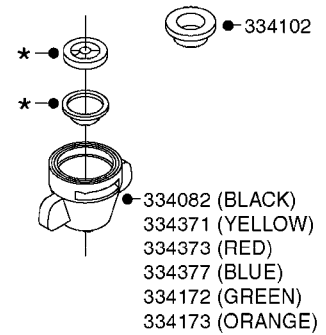
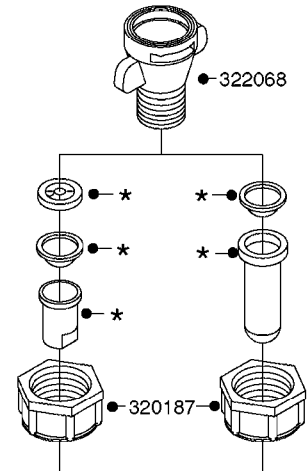
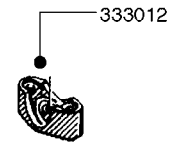
Page 1

Date 12.08.2020 9:25

| Pos. | parts-n° | order qty | description |
|------|----------|-----------|-------------------------------|
| 1 | 372011 | 1 | NOZZLE ISO QS-015-5H GREEN |
| 1 | 372012 | 1 | NOZZLE ISO QS-02-5H YELLOW |
| 1 | 372013 | 1 | NOZZLE ISO QS-03-5H BLUE |
| 1 | 372014 | 1 | NOZZLE ISO QS-04-5H RED |
| 1 | 372015 | 1 | NOZZLE ISO QS-05-5H BROWN |
| 1 | 372016 | 1 | NOZZLE ISO QS-06-5H GREY |
| 1 | 372017 | 1 | NOZZLE ISO QS-08-5H WHITE |
| 1 | 372018 | 1 | NOZZLE ISO QS-10-5H LT. BLUE |
| 1 | 372019 | 1 | NOZZLE ISO QS-15-5H LT. GREEN |
| 2 | 372002 | 1 | ISO QNTSTRM 015 S-GREEN |
| 2 | 372003 | 1 | ISO QNTSTRM 02 S-YELLOW |
| 2 | 372004 | 1 | ISO QNTSTRM 03 S-BLUE |
| 2 | 372005 | 1 | ISO QNTSTRM 04 S-RED |
| 2 | 372006 | 1 | ISO QNTSTRM 05 S-BROWN |
| 2 | 372007 | 1 | ISO QNTSTRM 06 S-GREY |
| 2 | 372008 | 1 | ISO QNTSTRM 08 S-WHITE |
| 2 | 372009 | 1 | ISO QNTSTRM 10 S-LT.BLU |
| 2 | 372010 | 1 | ISO QNTSTRM 15 S-LT.GRN |



SINGLE NOZZLE BODY



TRIPLET NOZZLE BODY

D1090

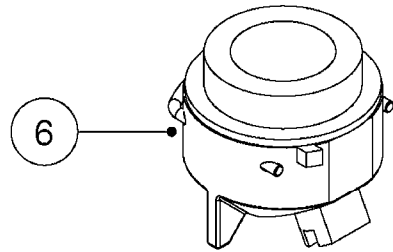
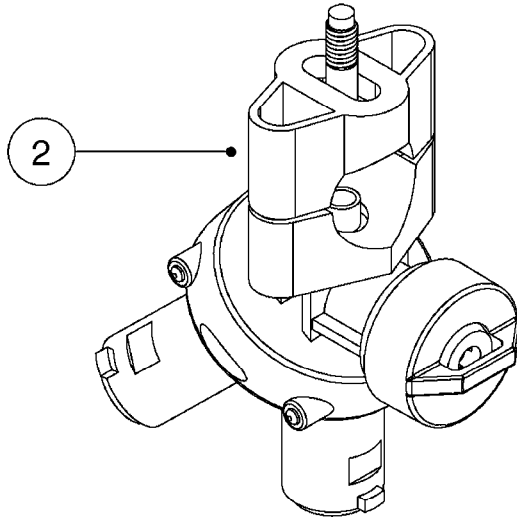
*=REFER TO HARDI NOZZLE CATALOG



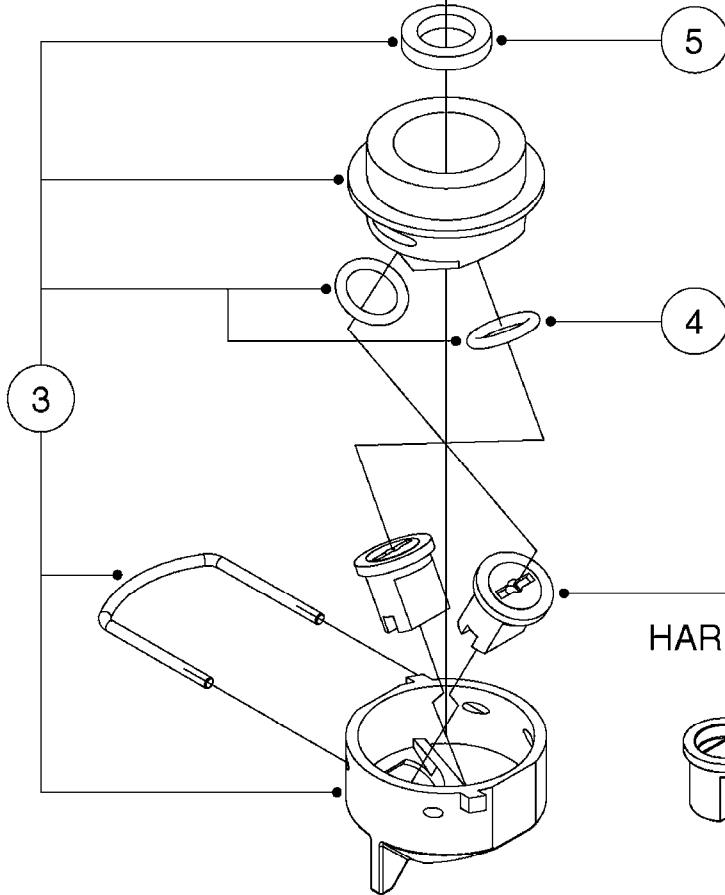
NOZZLE BODIES-SNAP FIT
D1090-HIN, 01:01:16

Page 1
Date 12.08.2020 9:25

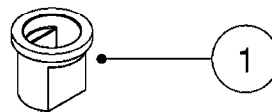
| parts-n° | order qty | description |
|----------|-----------|--------------------------------|
| 143592 | 1 | LOCK CLAMP FOR TRIPLET |
| 241371 | 1 | DIAPHRAGM F.NO-DRIP,VULC |
| 241990 | 1 | O-RING D9.3 X 2.4 VITON |
| 242594 | 1 | O-RING D14 X 1.78 SCH.70-EPDM |
| 242598 | 1 | O-RING D7.0 X 2.5 NITRIL |
| 320187 | 1 | FITT.DK CAP 3/8" BSP BLACK |
| 320283 | 1 | FITT.DK NUT 3/4"BSP |
| 321462 | 1 | CAP F.NO-DRIP ASSY. |
| 322068 | 1 | SNAP-FIT ADAPTER THREAD. HARDI |
| 322114 | 1 | NUT PLASTIC F.NOZZ.H |
| 322116 | 1 | BOLT PLASTIC F.NOZZ.H. |
| 322258 | 1 | HOUSING F.TRIPLET |
| 322260 | 1 | NOZZLE HOLDER LOWER PART |
| 333012 | 1 | NOZZLE HOLD. UPPER PART |
| 334082 | 1 | SNAP-FIT NOZZ.HOLD.CONE BLACK |
| 334102 | 1 | BLANK F.NOZZLE |
| 334172 | 1 | SNAP-FIT NOZZ.HOLD.CONE GREEN |
| 334173 | 1 | SNAP-FIT NOZZ.HOLD.CONE ORANGE |
| 334220 | 1 | YOKE, UPPER NOZZLE BODY |
| 334371 | 1 | SNAP-FIT NOZZLE HOLDER YELLOW |
| 334373 | 1 | SNAP-FIT NOZZLE HOLDER RED |
| 334377 | 1 | SNAP-FIT NOZZLE HOLDER BLUE |
| 334926 | 1 | SNAP-FIT TURN PLATE F TRIPLET |
| 390639 | 1 | O-RING F.NOZZLE FILTER |
| 440665 | 1 | SCREW M4.2X16 STAINLESS |
| 716236 | 1 | FITT.DK HB 1/2" ASSY. F. 3/4" |
| 716413 | 1 | FITT.DK PLUG ASSY. F.NOZ TUBE |
| 724621 | 1 | FITT.DK HB 3/4"ASSY F.3/4" NUT |
| 725042 | 1 | SCREEN 80 MESH W.GASKET, RED |
| 725043 | 1 | SCREEN 50 MESH W.GASKET,BLUE |
| 725044 | 1 | SCREEN 100 MESH W.GASKET,YELLO |
| 725078 | 1 | SNAP-FIT TRIPLET W/O NOZZ HOLD |
| 725079 | 1 | NOZZLE ASSY.SING.SNAP-FIT GREN |
| 729645 | 1 | NON-DRIP SPRING ASSY.GREEN 10 |



COMPLETE ASSEMBLY
WITH NOZZLES



REFER TO
HARDI® NOZZLE CATALOG



D1100

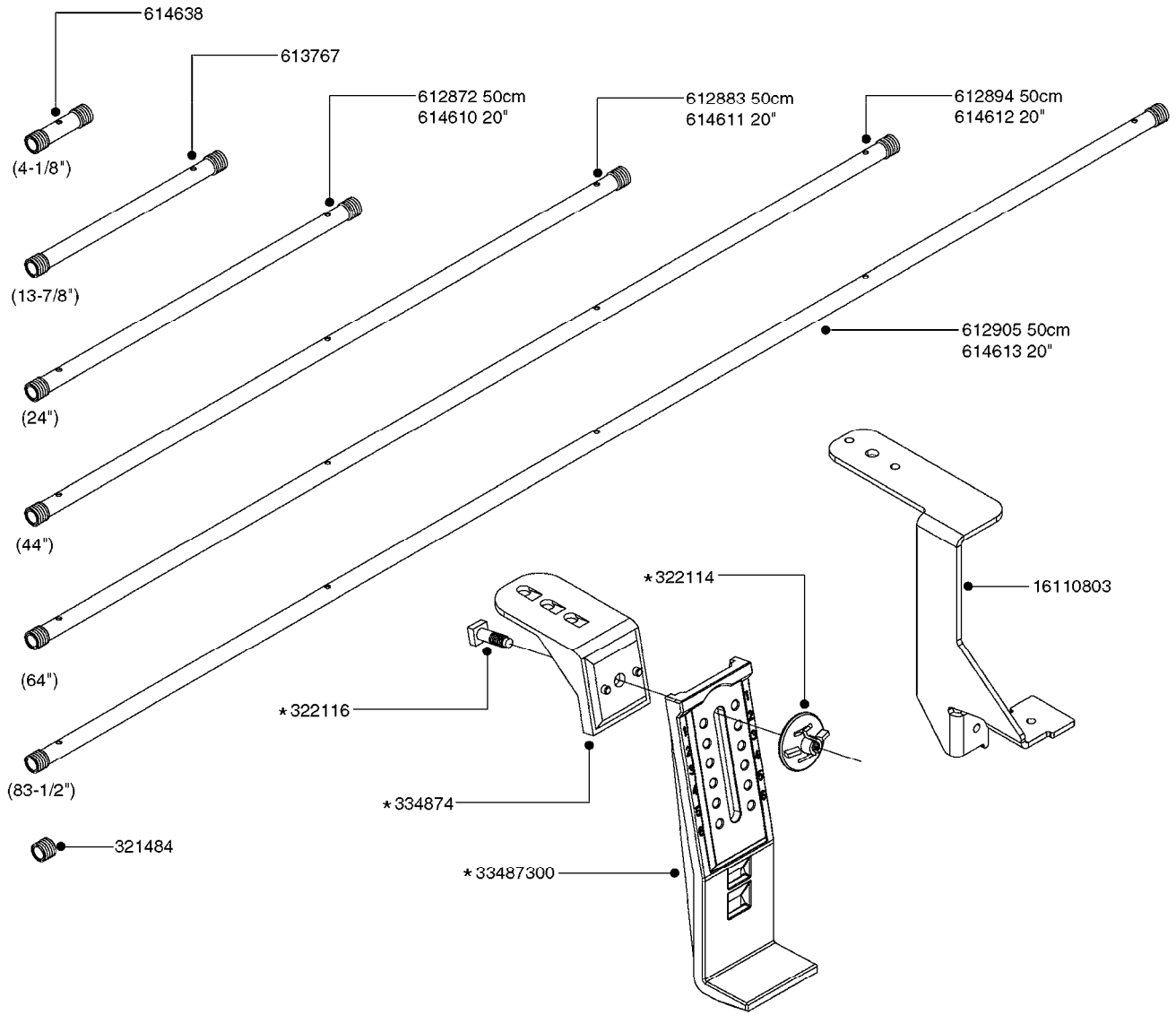


DOUBLE NOZZLE HOLDER-SNAP FIT
D1100-HIN, 01:01:16

Page 1

Date 12.08.2020 9:25

| Pos. | parts-n° | order qty | description |
|------|----------|-----------|--------------------------------|
| 1 | 372140 | 1 | HARDI ISO BLIND CAP |
| 2 | 725078 | 1 | SNAP-FIT TRIPLET W/O NOZZ HOLD |
| 3 | 28032503 | 1 | DOUBLE NOZZLE HOLDER LD ISO |
| 4 | 28040103 | 1 | O-RING F.DOUBLE NOZZLE HOLDER |
| 5 | 28089103 | 1 | GASKET F.DOUBLE NOZZLE HOLDER |
| 6 | 70056803 | 1 | DOUBLE NOZZLE CAP ORANGE LD 01 |
| 6 | 70056903 | 1 | DOUBLE NOZZLE CAP GREEN LD 015 |
| 6 | 70057003 | 1 | DOUBLE NOZZLE CAP YELLOW LD 02 |
| 6 | 70057103 | 1 | DOUBLE NOZZLE CAP LILAC LD 025 |
| 6 | 70057203 | 1 | DOUBLE NOZZLE CAP BLUE LD 03 |
| 6 | 70057303 | 1 | DOUBLE NOZZLE CAP RED LD 04 |
| 6 | 70057403 | 1 | DOUBLE NOZZLE CAP BROWN LD 05 |



*74009003 - BAG OF 5 COMPLETE
*74008903 - BAG OF 10 COMPLETE

| | | |
|--|--------------------------------|-----------------------------|
| | STAINLESS CLAMPS AND INSULATOR | |
| | 100X60MM - 74008203 BAG OF 10 | |
| | 80X60MM - 74008303 BAG OF 10 | 80X60MM - 74008403 BAG OF 5 |
| | 50X50MM - 74008503 BAG OF 10 | 50X50MM - 74008603 BAG OF 5 |
| | 50X30MM - 74008703 BAG OF 10 | 50X30MM - 74008803 BAG OF 5 |

| |
|------------------|
| BLANK TUBES: |
| 614647 - 23-3/4" |
| 614648 - 43-1/4" |
| 614649 - 63" |
| 614650 - 82-1/2" |

D1110

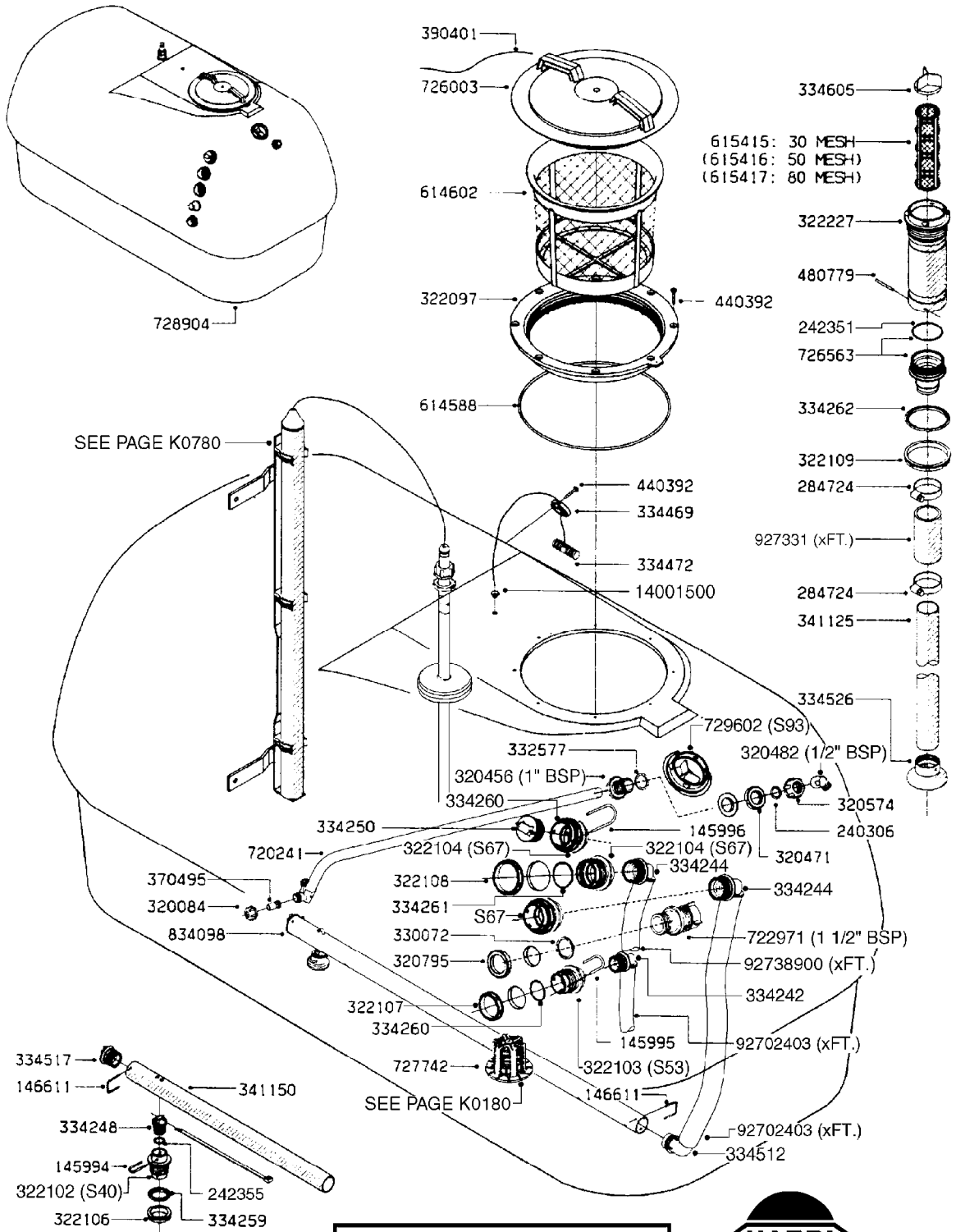


NOZZLE TUBES & HOLDER-PLASTIC
D1110-HIN, 08:04:19

Page 1

Date 12.08.2020 9:25

| parts-n° | order qty | description |
|----------|-----------|-------------------------------------|
| 321484 | 1 | BUSHING THREADED F.NOZZ.TUBE |
| 322114 | 1 | NUT PLASTIC F.NOZZ.H |
| 322116 | 1 | BOLT PLASTIC F.NOZZ.H. |
| 334874 | 1 | NOZZLE HOLDER - TOP HALF |
| 612872 | 1 | NOZZLE TUBE 2 HOLE L-24"/50CM |
| 612883 | 1 | NOZZLE TUBE 3 HOLE L-44"/50CM |
| 612894 | 1 | NOZZLE TUBE 4 HOLE L-64"/50CM |
| 612905 | 1 | NOZZLE TUBE 5 HOLE L-83.5"/50C |
| 613767 | 1 | NOZZLE TUBE 1 HOLE L-13.875" |
| 614610 | 1 | NOZZLE TUBE 2 HOLE L-24"/SP20" |
| 614611 | 1 | NOZZLE TUBE 3 HOLE L-44"/SP20" |
| 614612 | 1 | NOZZLE TUBE 4 HOLE L-64"/SP20" |
| 614613 | 1 | NOZZLE TUBE 5 HOLE L-83.5"/20" |
| 614638 | 1 | NOZZLE TUBE 1 HOLE L-4.125" |
| 614647 | 1 | NOZZLE TUBE L=600mm NO HOLES |
| 614648 | 1 | NOZZLE TUBE L=1100mm NO HOLES |
| 614649 | 1 | NOZZLE TUBE L=1600mm NO HOLES |
| 614650 | 1 | NOZZLE TUBE L=2100mm NO HOLES |
| 16110803 | 1 | NOZZLE BRACKET VAR SPACINGS |
| 33487300 | 1 | NOZZLE HOLDER - BOTTOM HALF |
| 74008203 | 1 | CLAMP & INSULATOR 100X60 (QTY.10) |
| 74008303 | 1 | CLAMP & INSULATOR 80X60 MM (QTY.10) |
| 74008403 | 1 | CLAMP & INSULATOR 80X60 MM (QTY.5) |
| 74008503 | 1 | CLAMP & INSULATOR 50X50 MM (QTY.10) |
| 74008603 | 1 | CLAMP & INSULATOR 50X50 MM (QTY.5) |
| 74008703 | 1 | CLAMP & INSULATOR 30X50 MM (QTY.10) |
| 74008803 | 1 | CLAMP & INSULATOR 30X50 MM (QTY.5) |
| 74008903 | 1 | NOZZLE HOLDER COMPLETE (QTY.10) |
| 74009003 | 1 | NOZZLE HOLDER COMPLETE (QTY.5) |



E0400

FOR CONNECTING HOSE
FITTINGS, SEE SECTION L



978403



TANK HC650M 650 TWIN (POST 95)
E0400-HIN, 01:01:16

Page 1

Date 12.08.2020 9:25

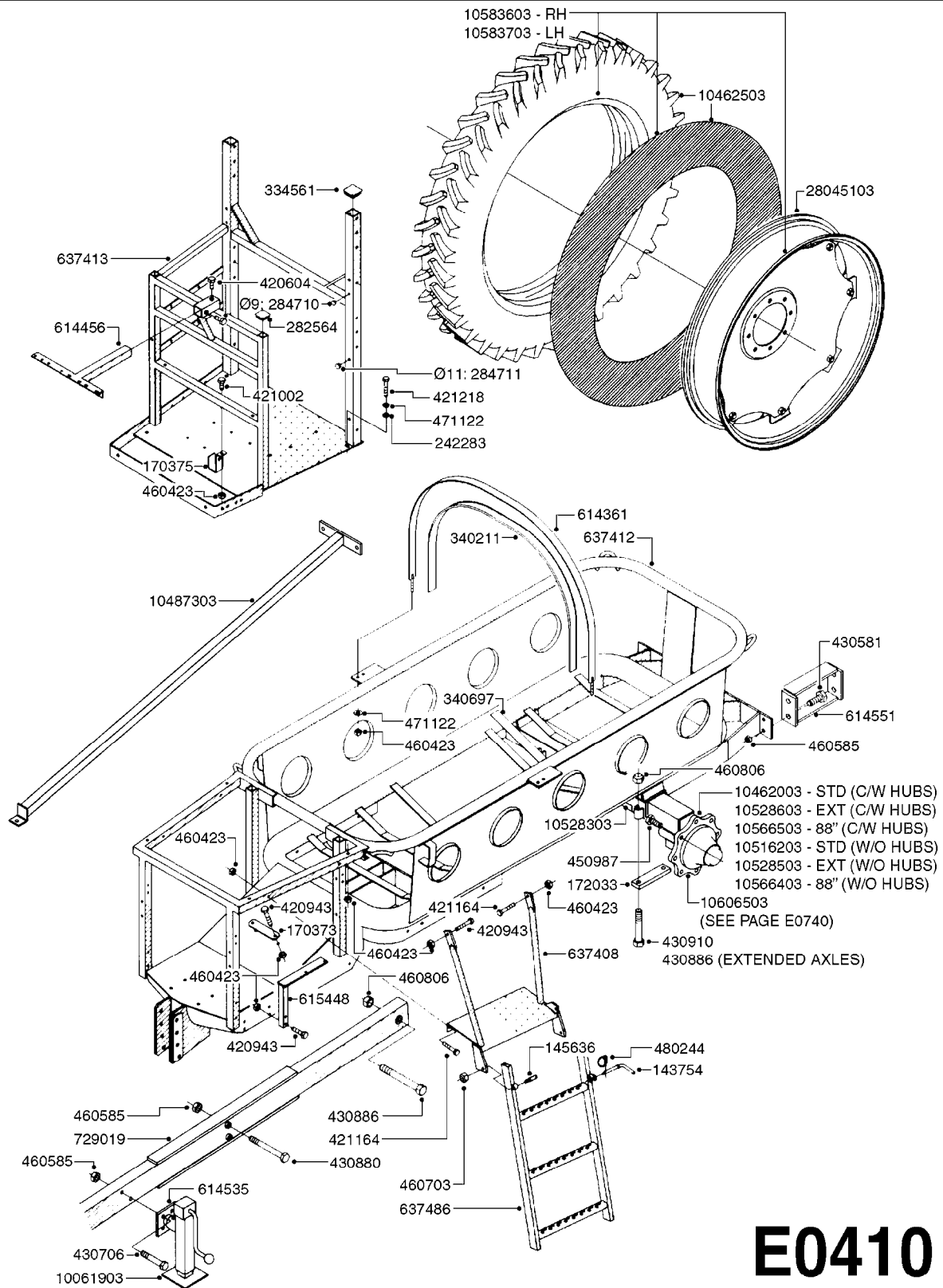
| parts-n° | order qty | description |
|----------|-----------|--------------------------------|
| 145994 | 1 | FITT.DK S-40 FORK |
| 145995 | 1 | FITT.DK S-53 FORK |
| 145996 | 1 | FITT.DK S-67 FORK |
| 146611 | 1 | CLAMP D3/32-37MM |
| 240306 | 1 | O-RING D29/D21X4 |
| 242351 | 1 | O-RING D69.5X3.0 VITON F.S-93 |
| 242355 | 1 | O-RING D19.2X3.0 VITON F.S-40 |
| 284724 | 1 | CLAMP HOSE GEAR D52-70 |
| 320084 | 1 | FITT.DK NUT 1/2" BSP |
| 320456 | 1 | FITT.DK BULKHEAD 1"BSP DOUBLE |
| 320471 | 1 | FITT.DK NUT 1" BSP JAMB |
| 320482 | 1 | FITT.DK ELB. 1/2" BSP 60 DEG. |
| 320574 | 1 | FITT.DK NUT 1" BSP SPECIAL |
| 320795 | 1 | FITT.DK NUT 1-1/2" BSP JAMB |
| 322097 | 1 | THREADED RING F. LID |
| 322102 | 1 | FITT.DK S-40 BULKHEAD |
| 322103 | 1 | FITT.DK S-53 BULKHEAD |
| 322104 | 1 | FITT.DK S-67 BULKHEAD |
| 322106 | 1 | FITT.DK S-40 BULKHEAD NUT |
| 322107 | 1 | FITT.DK S-53 BULKHEAD NUT |
| 322108 | 1 | FITT.DK S-67 BULKHEAD NUT |
| 322109 | 1 | FITT.DK S-93 BULKHEAD NUT |
| 322227 | 1 | HOUSING F.FILTER S-93 2" |
| 330072 | 1 | O-RING D53.5/D45.5X4 |
| 332577 | 1 | O-RING D38/D30X4 F.1" PUR. |
| 334242 | 1 | FITT.DK S-53 ELB.1" |
| 334244 | 1 | FITT.DK S-67 ELB.1-1/4" |
| 334248 | 1 | FITT.DK S-40 PLUG |
| 334250 | 1 | FITT.DK S-67 PLUG |
| 334259 | 1 | GASKET F. S-40 BULKHEAD |
| 334260 | 1 | GASKET F. S-53 BULKHEAD |
| 334261 | 1 | GASKET F. S-67 BULKHEAD |
| 334262 | 1 | GASKET F.S-93 BULKHEAD |
| 334469 | 1 | CLEVIS F.CORD TOP DRAIN ASSY. |
| 334472 | 1 | HANDLE FOR TOP DRAIN |
| 334512 | 1 | FITT.DK SPEC.ELB.1-1/4"110DEG |
| 334517 | 1 | END CAP F. SPARGER TUBE |
| 334526 | 1 | FOOT F.SUCTION TUBE 2" |
| 334605 | 1 | VANE F.TOP SUCTION FILTER |
| 341125 | 1 | 341125 |
| 341150 | 1 | SPARGE TUBE HC650 |
| 370495 | 1 | NOZZLE INJECTOR 5066-3.0 |
| 390401 | 1 | CORD NYLON F.LID 900MM |
| 440392 | 1 | SCREW 6.3 X 25.0 DIN7981C TORX |
| 480779 | 1 | PIN D5X55 SPLIT |
| 614588 | 1 | SEAL F. LID |
| 614602 | 1 | FILTER BASKET |
| 615415 | 1 | FILTER ELEM.S93,30 MESH-GREEN |
| 615416 | 1 | FILTER ELEM.S93,50 MESH-BLUE |
| 615417 | 1 | FILTER ELEM.S93,80 MESH-RED |
| 720241 | 1 | AGITATION TUBE CPL HC/TA 650M |
| 722971 | 1 | SAFETY VALVE SCF 217PSI(15BAR) |
| 726003 | 1 | LID F. TANK |
| 726563 | 1 | FITT.DK S-93 STR 2" W/O-RING |
| 727742 | 1 | TOP DRAIN CORD TYPE |
| 728904 | 1 | TANK/FRAME TY/TZ/TA 2400 |
| 729602 | 1 | TOP SUCTION KIT NAV 2" |
| 834098 | 1 | SPARGE TUBE ASSY CPL HC/TA650M |
| 927331 | 1 | HOSE R X 28 BAR X 50MM X 0012" |
| 978403 | 1 | DECAL COMPANY 280 X 450 |
| 14001500 | 1 | GROMMET F.TOP DRAIN CORD |



TANK HC650M 650 TWIN (POST 95)
E0400-HIN, 01:01:16

Page 2
Date 12.08.2020 9:25

| parts-n° | order qty | description |
|----------------------|-----------|--|
| 92702403 92738900 | 1 1 | HOSE PVC SUCT GRAY 1" HOSE R X PVC X 1-1/4" 0012" |



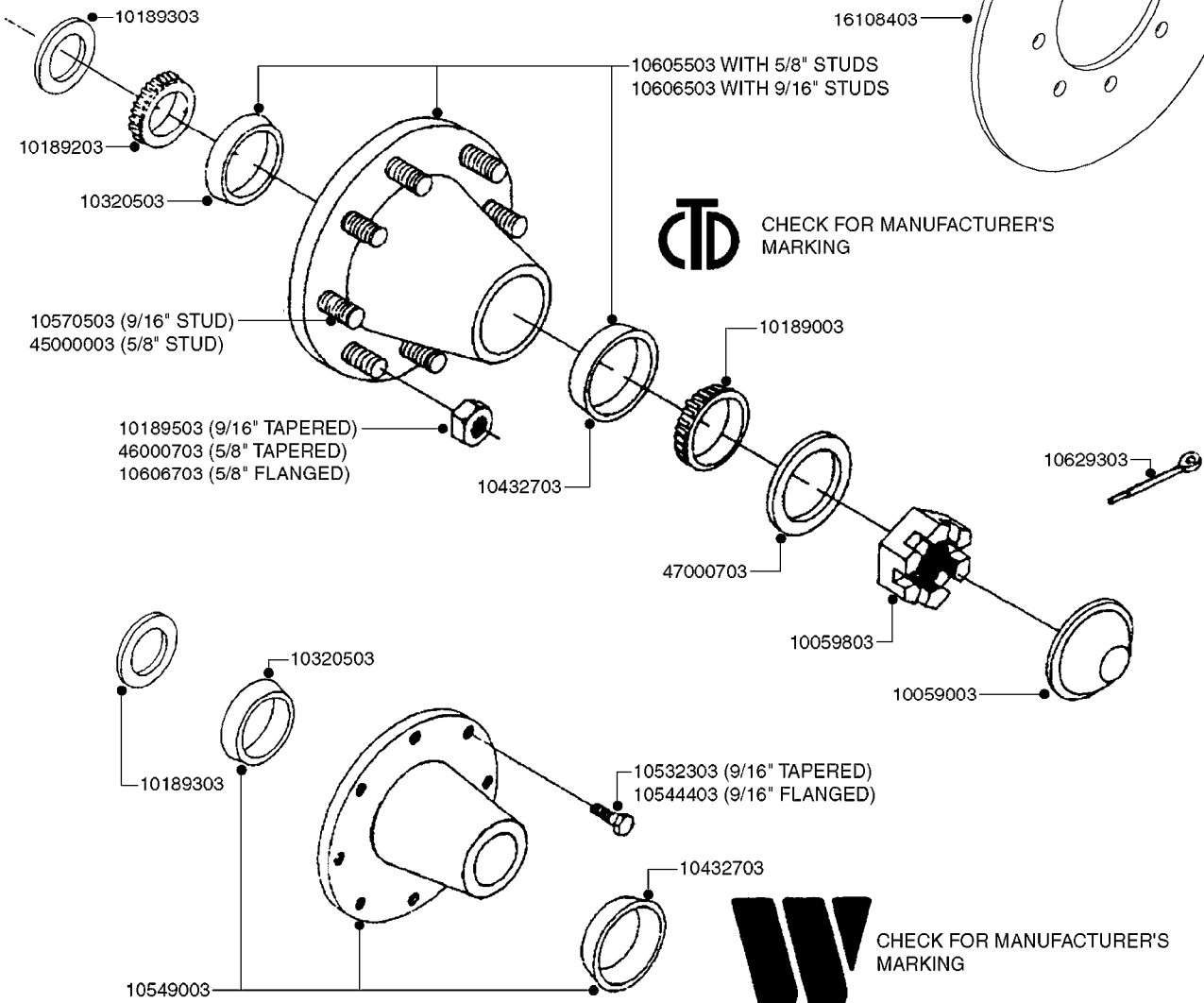
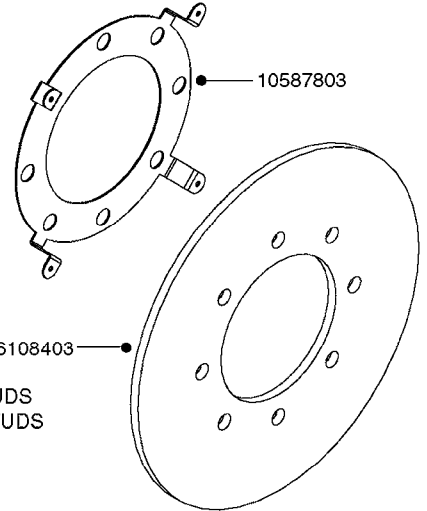
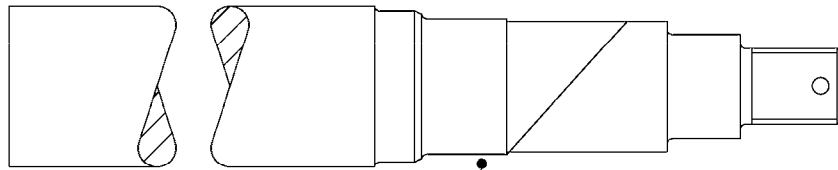
E0410



FRAME HC 650M/TWIN 650 POST 94
E0410-HIN, 01:01:16

Page 1
Date 12.08.2020 9:25

| parts-n° | order qty | description |
|----------|-----------|-----------------------------------|
| 143754 | 1 | PIN D10 X 56 |
| 145636 | 1 | PIN F.HINGE M12 |
| 170373 | 1 | FLATBAR |
| 170375 | 1 | BRACKET F.HOSE |
| 172033 | 1 | FLATBAR F.AXLE HC650M |
| 242283 | 1 | SEAL RUBBER |
| 282564 | 1 | PLUG 35MM SQ.BLACK |
| 284710 | 1 | PLUG F.DRILLED HOLE D9MM |
| 284711 | 1 | PLUG F.DRILLED HOLE D11MM |
| 334561 | 1 | PLUG 50x50x2 F.SQ.TUBE |
| 340211 | 1 | TANK STRAP PACKING 40X1800 |
| 340697 | 1 | TANK PACKING 40X700 |
| 420604 | 1 | BOLT HEX 8.8 DEL M10X25 FT DIN933 |
| 420943 | 1 | BOLT HEX 8.8 DEL M10X50 |
| 421002 | 1 | BOLT HEX 8.8 DEL M10X30 FT DIN933 |
| 421164 | 1 | BOLT HEX 8.8 DEL M10X70 |
| 421218 | 1 | BOLT HEX 8.8 DEL M10X90 |
| 430581 | 1 | BOLT HEX 8.8 DEL M16X40 FT |
| 430706 | 1 | BOLT HEX 8.8 ZINC CLEAR M16X90 |
| 430880 | 1 | BOLT HEX 8.8 DEL M16X140 |
| 430886 | 1 | BOLT HEX 8.8 DEL M20X160 |
| 430910 | 1 | BOLT HEX 8.8 DEL M20X110 |
| 450987 | 1 | HUB BOLT M20 X 1.5 X 60 NAGBOL |
| 460423 | 1 | NUT HEX M10X1.50 LOCK DIN985A2 SS |
| 460585 | 1 | LOCKING NUT M16 DIN985 A2 SS |
| 460703 | 1 | NUT HEX M12X1.75 LOCK DIN985A2 SS |
| 460806 | 1 | NUT HEX M20X2.50 LOCK DIN985A2 SS |
| 471122 | 1 | WASHER, M10, Ø20/10.5X 2.0, SS |
| 480244 | 1 | PIN SNAP D4.5 |
| 614361 | 1 | TANK STRAP HC650 L=92.5" |
| 614456 | 1 | BRACKET F.EC 3&4 BANK VALVES |
| 614535 | 1 | JACK MOUNTING WELDMENT HC950 |
| 614551 | 1 | SPACER BLOCK HC 650 EAGLE |
| 615448 | 1 | BRACKET SUCTION MANIFOLD HC650 |
| 637408 | 1 | PLATFORM EXTENTION HC650/950 |
| 637412 | 1 | TANK FRAME BARE HC650M |
| 637413 | 1 | PLATFORM ASSY.HC650M/HC950M |
| 637486 | 1 | LADDER F. HC650M |
| 729019 | 1 | TONGUE HC650M/94 |
| 10061903 | 1 | JACK F300/500/575 5000LB |
| 10462003 | 1 | AXLE INSERT.ASSY.HC500/650 |
| 10462503 | 1 | TIRE 11.2" X 38" 4 PLY TUBE L. |
| 10487303 | 1 | SIDE BRACE W/M HC950 EAGLE |
| 10516203 | 1 | INSERT W/M 500/650HC W/SPINDLE |
| 10528303 | 1 | AXLE REINFORCE W/M 80" HC650M |
| 10528503 | 1 | INSERT W/M HC650M W/SPIND.LONG |
| 10528603 | 1 | AXLE INSERT ASSY.HC650M LONG |
| 10566403 | 1 | INSERT W/M HC650 88" W/SPINDLE |
| 10566503 | 1 | AXLE INSERT ASSY.HC650 88" |
| 10583603 | 1 | TIRE ASSY 11.2X38 RH 8"BC |
| 10583703 | 1 | TIRE ASSY 11.2X38 LH 8"BC |
| 10606503 | 1 | HUB ASSY.NAV550/800/1000 HC |
| 28045103 | 1 | RIM 38X10 8/8/6 4.18-OS GRAY |



**TAPERED NUTS OR BOLTS
NEEDED FOR 12.4" X 24" RIMS ONLY**

E0740



HUB ASSEMBLY F.2 3/4" SPINDLE
E0740-HIN, 09:10:19

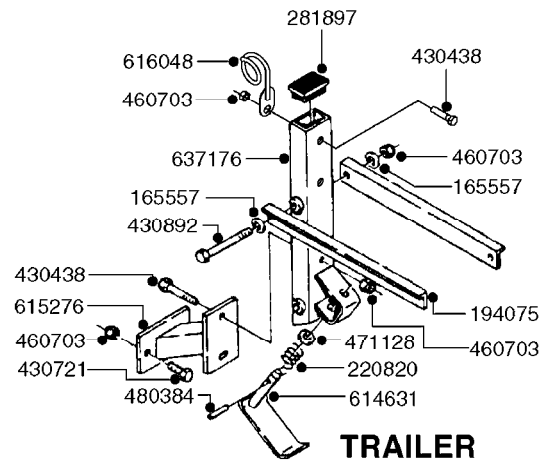
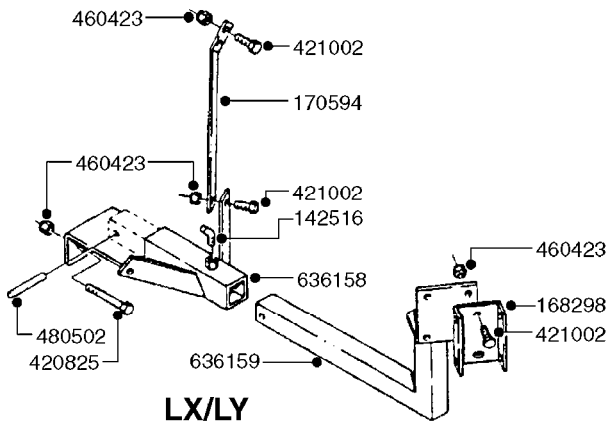
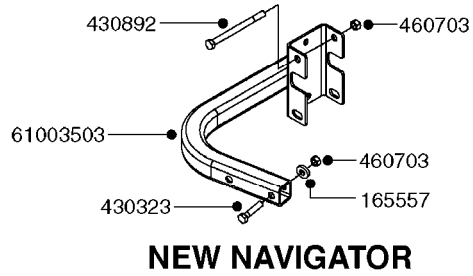
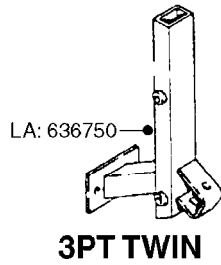
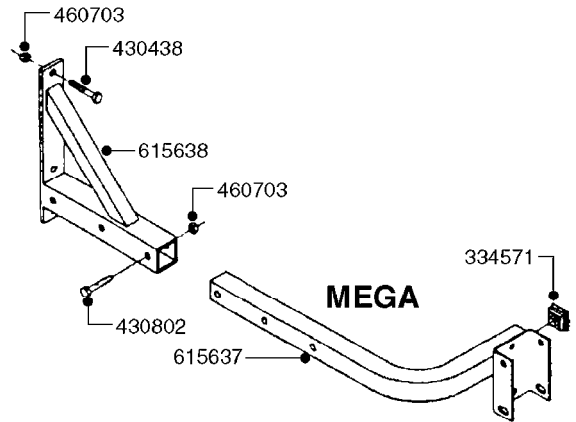
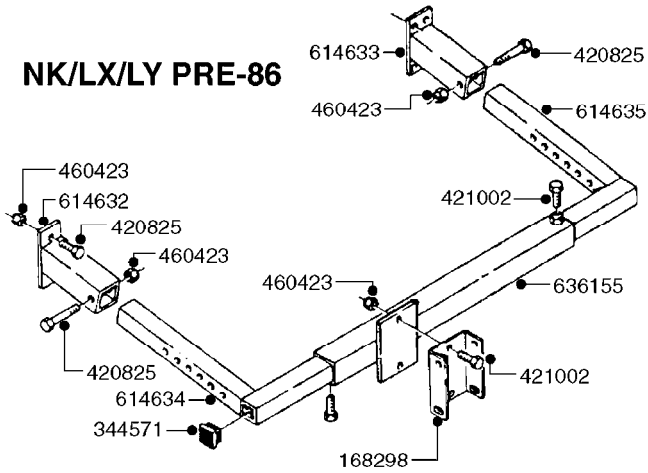
Page 1

Date 12.08.2020 9:25

| parts-n° | order qty | description |
|----------|-----------|---|
| 10059003 | 1 | DUST CAP 800/1000 GAL AEDC17 |
| 10059803 | 1 | NUT HEX NF 1" |
| 10189003 | 1 | BEARING OUTER 800/1000 GAL.SA |
| 10189203 | 1 | BEARING INNER CONE 3780 |
| 10189303 | 1 | SEAL OIL 800/1000 GAL.SA |
| 10189503 | 1 | NUT HEX NF 9/16 WHEEL STUD |
| 10320503 | 1 | BEARING INNER CUP F. 2-3/4" |
| 10432703 | 1 | BEARING OUTER CUP F. 2.3/4" |
| 10526703 | 1 | SPINDLE 2.75X15.75 W/NUT&WASH |
| 10532303 | 1 | BOLT WHEEL 9/16"UNF X 1-1/2" |
| 10544403 | 1 | BOLT HEX 9/16 NF GR.5 01.25FL |
| 10549003 | 1 | HUB ASSY. RED 2-3/4" W.9/16" THREAD |
| 10570503 | 1 | STUD F. HUB 9/16" x 2-1/4" |
| 10587803 | 1 | MAG MNT F. SPEED SNS 8 BOLT |
| 10605503 | 1 | HUB ASSY F.2-3/4" HUB 5/8"STUD |
| 10606503 | 1 | HUB ASSY.NAV550/800/1000 HC |
| 10606703 | 1 | NUT HEX NF 5/8" FLANGED F.STUD |
| 10629303 | 1 | PIN, COTTER 3/16" X 2.25" LONG |
| 16108403 | 1 | REINFORCEMENT RING 8-8-6 HUB FOR NON-REINFORCED 3/8" RIMS ONLY |
| 45000003 | 1 | STUD BOLT 5/8" X 2-1/2" |
| 46000703 | 1 | NUT TAPERED LUG 5/8-18 |
| 47000703 | 1 | WASHER, SPNDL 1.1" 1.06x2 .19T |



NK/LX/LY PRE-86



K0050

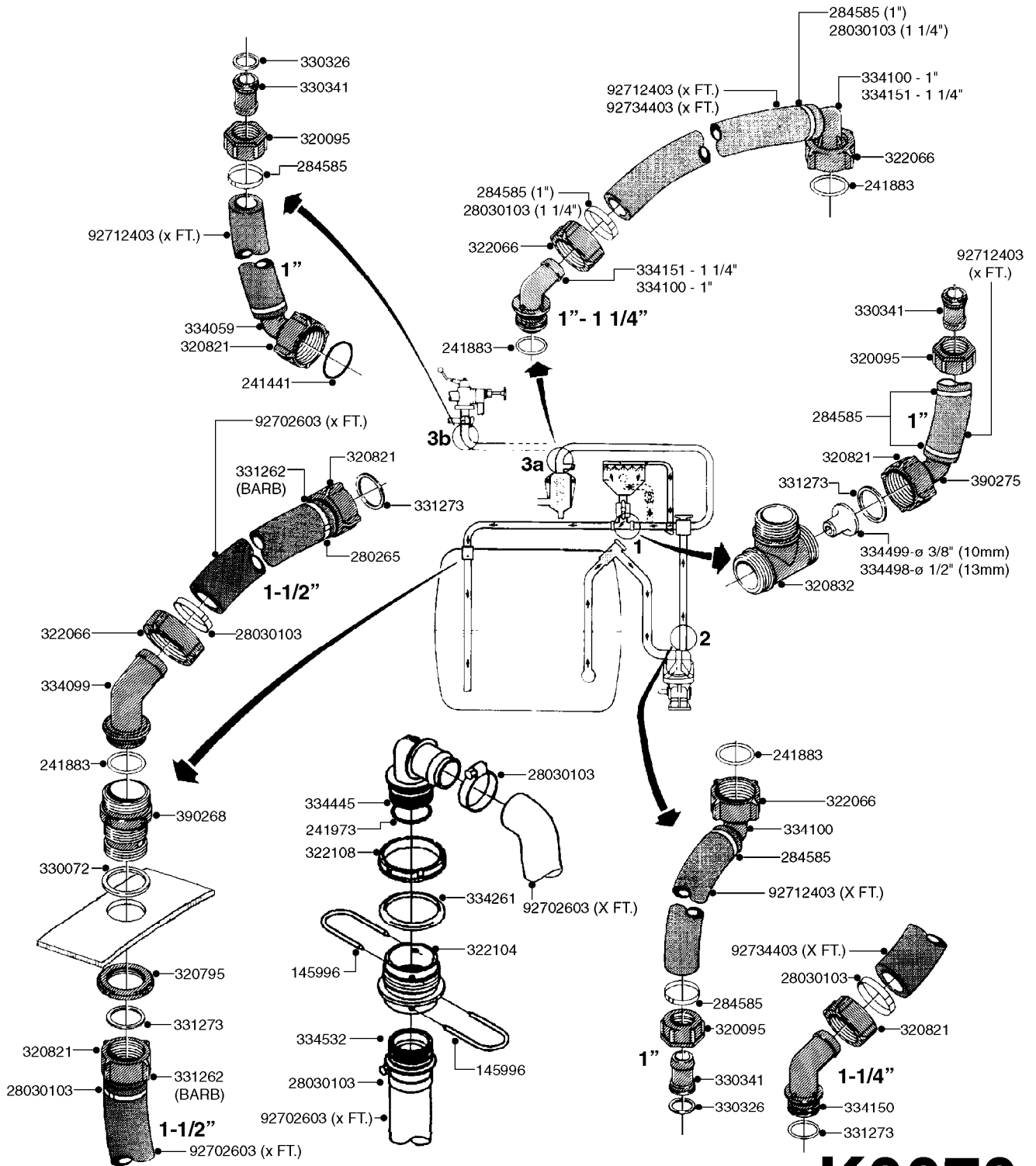


CHEM.FILLER-MOUNTING BRACKETS
K0050-HIN, 01:01:16

Page 1

Date 12.08.2020 9:25

| parts-n° | order qty | description |
|----------|-----------|-----------------------------------|
| 142516 | 1 | SCREW SET M10 BENT F. LOCKING |
| 165557 | 1 | WASHER D28.0/D12.2X2.0 SS |
| 168298 | 1 | INTERM BRACKET |
| 170594 | 1 | 170594 |
| 194075 | 1 | MOUNT ARM F.CHEM.FILL BRACKET |
| 220820 | 1 | SPRING D20.5/2.0 0-50MM |
| 281897 | 1 | COVER PLUG |
| 334571 | 1 | PLUG 40x40x2 F.SQ.TUBE |
| 420825 | 1 | BOLT HEX 8.8 DEL M10X65 |
| 421002 | 1 | BOLT HEX 8.8 DEL M10X30 FT DIN933 |
| 430323 | 1 | BOLT HEX 8.8 DEL M12X60 |
| 430438 | 1 | BOLT HEX 8.8 DEL M12X65 |
| 430721 | 1 | BOLT HEX 8.8 DEL M12X40 FT |
| 430802 | 1 | BOLT HEX 8.8 DEL M12X75 |
| 430892 | 1 | BOLT HEX 8.8 DEL M12X110 |
| 460423 | 1 | NUT HEX M10X1.50 LOCK DIN985A2 SS |
| 460703 | 1 | NUT HEX M12X1.75 LOCK DIN985A2 SS |
| 471128 | 1 | WASHER, M16, Ø30/17.0X 3.0, SS |
| 480384 | 1 | PIN COTTER 3/16 x 1-1/2" |
| 480502 | 1 | PIN RETAINING M10X50 DIN 1481 |
| 614631 | 1 | FOOT PEDAL FOR FILLER |
| 614632 | 1 | SOCKET FOR SUSPENSION LEFT |
| 614633 | 1 | SOCKET FOR SUSPENSION RIGHT |
| 614634 | 1 | MOUNT BRACKET F.ACCESS. RIGHT |
| 614635 | 1 | MOUNT BRACKET F. ACCESS. LEFT |
| 615276 | 1 | BRACKET F.CHEM.FILL MOUNT |
| 615637 | 1 | MNT. BRKT. MEGA CHEM. FILLER |
| 615638 | 1 | MOUNT BKT.F.CHEM FILLER MEGA |
| 616048 | 1 | HOSE HOLDER |
| 636155 | 1 | CENTER-PCS. F.SUSPENSION |
| 636158 | 1 | TELESCOPE HOLDER |
| 636159 | 1 | TELESCOPE PIPE F.HARDI FILLER |
| 636750 | 1 | 636750 |
| 637176 | 1 | CONSOLE F. CHEMFILL BRACKET |



K0070

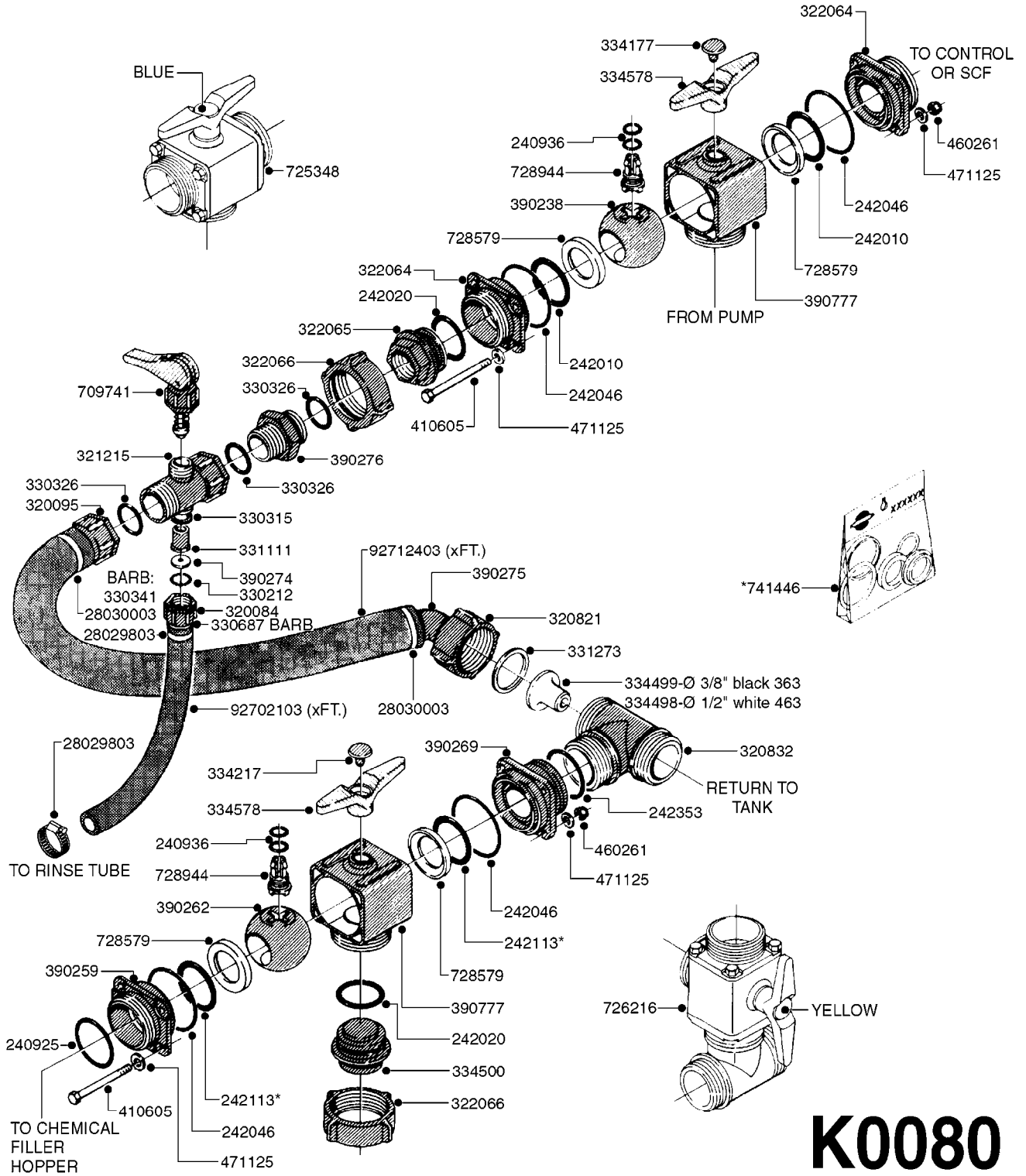


CHEM. FILLER-PLUMBING-STANDARD
K0070-HIN, 01:01:16

Page 1

Date 12.08.2020 9:25

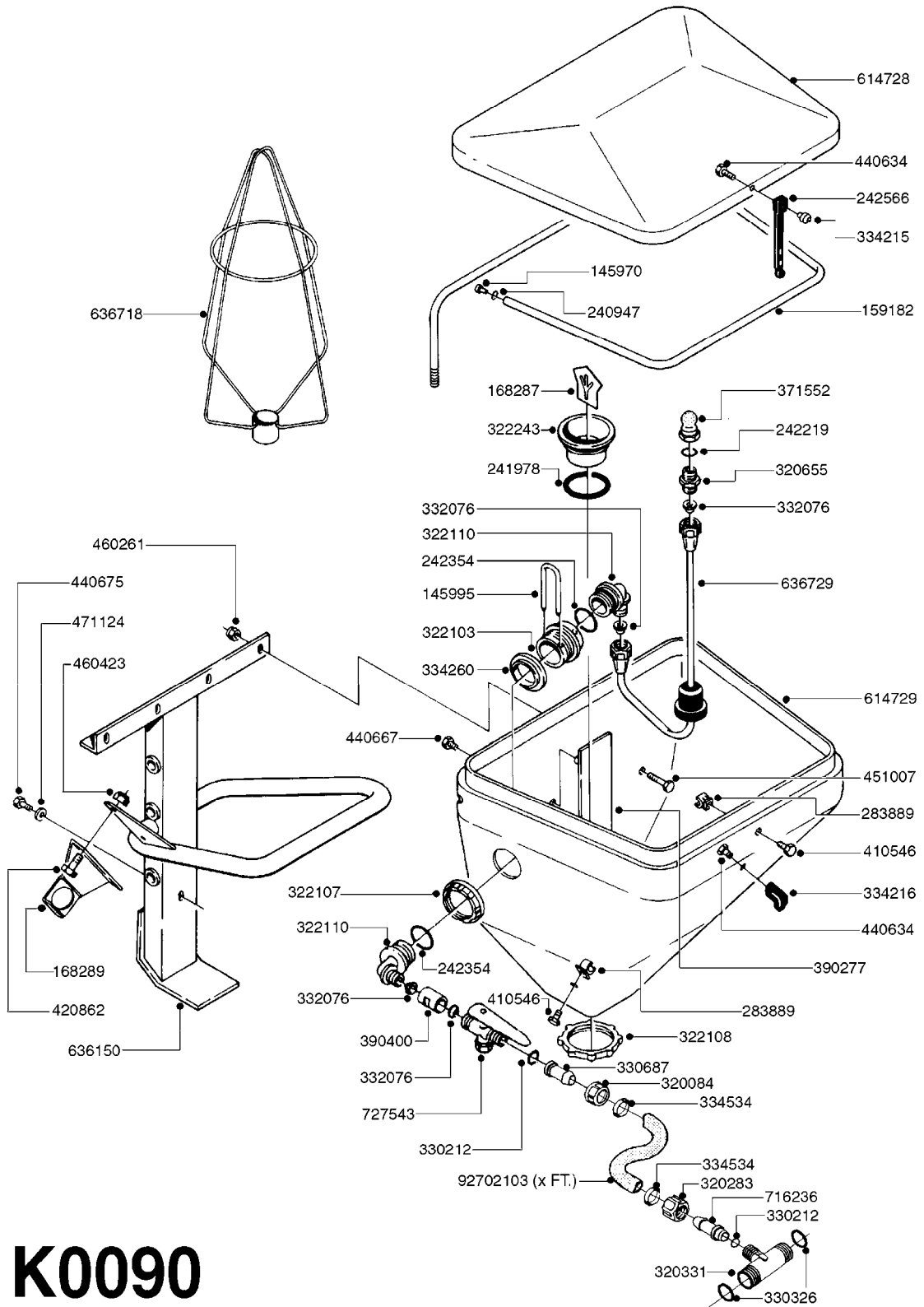
| parts-n° | order qty | description |
|----------|-----------|-----------------------------------|
| 145996 | 1 | FITT.DK S-67 FORK |
| 241441 | 1 | O-RING D29.3X3 |
| 241883 | 1 | O-RING 3 X 39.2 NITRIL |
| 241973 | 1 | O-RING Ø3 X 44.2 70 SHORES NITRIL |
| 280265 | 1 | CLMP HS GEAR1-1/2" alt28030103 |
| 284585 | 1 | CLAMP HOSE GEAR 1" MINI 020 |
| 320095 | 1 | FITT.DK NUT 1" BSP |
| 320795 | 1 | FITT.DK NUT 1-1/2" BSP JAMB |
| 320821 | 1 | FITT.DK NUT 1-1/2" BSP |
| 320832 | 1 | FITT.DK TEE 1-1/2x1-1/2x1-1/2 |
| 322066 | 1 | FITT.DK S-56 NUT |
| 322104 | 1 | FITT.DK S-67 BULKHEAD |
| 322108 | 1 | FITT.DK S-67 BULKHEAD NUT |
| 330072 | 1 | O-RING D53.5/D45.5X4 |
| 330326 | 1 | O-RING D30/D24X2 F.1"NUT |
| 330341 | 1 | FITT.DK HB 1" F. 1" NUT |
| 331262 | 1 | FITT.DK HB 1-1/2" F. 1-1/2"NUT |
| 331273 | 1 | O-RING D44/D38X2 F.1-1/2" |
| 334059 | 1 | FITT.DK EL 1" 110 DEG.F.1-1/2" |
| 334099 | 1 | FITT.DK S-61 ELB.1-1/2"110 DEG |
| 334100 | 1 | FITT.DK S-61 ELB.1" 110 DEG. |
| 334150 | 1 | FITT.DK HB 1-1/4" 110 F.1-1/2" |
| 334151 | 1 | FITT.DK S-61 ELB.1-1/4"110 DEG |
| 334261 | 1 | GASKET F. S-67 BULKHEAD |
| 334445 | 1 | FITT.DK S-67 ELB.1-1/2" |
| 334498 | 1 | NOZZLE INJECTOR 13MM/462 WHITE |
| 334499 | 1 | NOZZLE INJECTOR 10MM/361 BLACK |
| 334532 | 1 | FITT.DK S-67 STR.1-1/2' W/HOLE |
| 390268 | 1 | FITT.DK BULKHEAD 1-1/2' SPEC. |
| 390275 | 1 | FITT.DK ELB 1' SPECIAL F.CHEMF |
| 28030103 | 1 | CLAMP HOSE GEAR P5/4-S1.5"6724 |
| 92702603 | 1 | HOSE PVC SUCT GRAY 1-1/2" |
| 92712403 | 1 | HOSE R X1" X300PSI WP X0012" |
| 92734403 | 1 | HOSE R X5/4" X200PSI WP X0012" |



K0080



| parts-n° | order qty | description |
|----------|-----------|-----------------------------------|
| 240925 | 1 | O-RING D49.5X3 NITRIL |
| 240936 | 1 | O-RING D13.3X2.4 NITRIL |
| 242010 | 1 | O-RING D37.47X5.33 |
| 242020 | 1 | O-RING 39.2 X 3 VITON |
| 242046 | 1 | O-RING D60X2 |
| 242113 | 1 | O-RING D37.5X5.3 VITON |
| 242353 | 1 | O-RING 3 X 44.2 VITON |
| 320084 | 1 | FITT.DK NUT 1/2" BSP |
| 320095 | 1 | FITT.DK NUT 1" BSP |
| 320821 | 1 | FITT.DK NUT 1-1/2" BSP |
| 320832 | 1 | FITT.DK TEE 1-1/2x1-1/2x1-1/2 |
| 321215 | 1 | FITT.DK HOUSING F. AGITATION |
| 322064 | 1 | END COVER W.S56 |
| 322065 | 1 | FITT.DK UNION 1' BSP/S-56 |
| 322066 | 1 | FITT.DK S-56 NUT |
| 330212 | 1 | O-RING D19/D14X2.4 F.1/2"NUT |
| 330315 | 1 | O-RING D18.4/D13X.6 |
| 330326 | 1 | O-RING D30/D24X2 F.1"NUT |
| 330341 | 1 | FITT.DK HB 1" F. 1" NUT |
| 330687 | 1 | FITT.DK HB 1/2" F. 1/2" NUT |
| 331111 | 1 | VALVE SEAT FOR 1/2" DISTRIBUT. |
| 331273 | 1 | O-RING D44/D38X2 F.1-1/2" |
| 334177 | 1 | VALVE INDICATOR BLUE |
| 334217 | 1 | VALVE INDICATOR YELLOW |
| 334498 | 1 | NOZZLE INJECTOR 13MM/462 WHITE |
| 334499 | 1 | NOZZLE INJECTOR 10MM/361 BLACK |
| 334500 | 1 | FITT.DK S-56 PLUG W/ 4.2Ø Hole |
| 334578 | 1 | HANDLE FOR VALVE 'OLD' STYLE |
| 390238 | 1 | BALL F. 3 WAY PRESSURE VALVE |
| 390259 | 1 | END COVER S56 F.3 WAY VALVE |
| 390262 | 1 | BALL F. 2 WAY VALVE |
| 390269 | 1 | END COVER S56 1-1/2"F.3WAY VLV |
| 390274 | 1 | ORIFICE ID4.0/18/1.5 |
| 390275 | 1 | FITT.DK ELB 1' SPECIAL F.CHEMF |
| 390276 | 1 | FITT.DK HN 1'BSP |
| 390777 | 1 | HOUSING F.BALL VALVE 3 WAY |
| 410605 | 1 | BOLT HEX 8.8 DEL M6X80 |
| 460261 | 1 | NUT HEX M6X1.00 LOCK DIN985 A2 SS |
| 471125 | 1 | WASHER M6U 6.4X14X1.2,A2 SS |
| 709741 | 1 | VALVE ASSY. 1/2" FLIP LEVER |
| 725348 | 1 | VALVE 3 WAY BLUE |
| 726216 | 1 | VALVE TWO WAY |
| 728579 | 1 | SEAL F BALL |
| 728944 | 1 | VALVE STEM & COLOURED CAPS |
| 741446 | 1 | REPAIR KIT F.S67 VALVE - VITON |
| 28029803 | 1 | CLAMP HOSE GEAR P1/2" 6708 |
| 28030003 | 1 | CLAMP HOSE GEAR P1" 6716 |
| 92702103 | 1 | HOSE R X1/2" X300PSI WP X0012" |
| 92712403 | 1 | HOSE R X1" X300PSI WP X0012" |



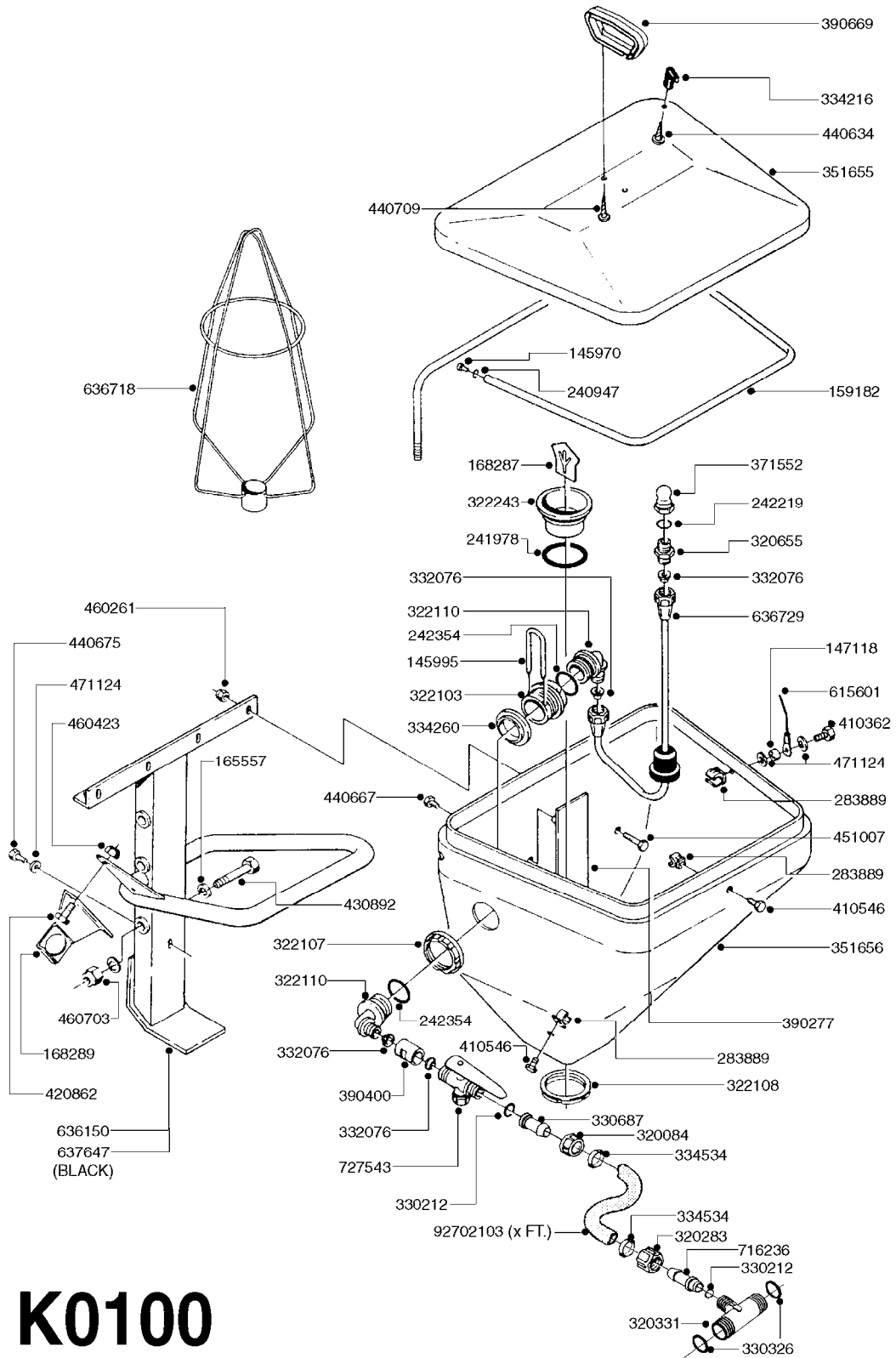
K0090



CHEMICAL FILLER-HOPPER (PRE95)
K0090-HIN, 01:01:16

Page 1
Date 12.08.2020 9:25

| parts-n° | order qty | description |
|----------|-----------|-----------------------------------|
| 145970 | 1 | PLUG MF 11 X 1 |
| 145995 | 1 | FITT.DK S-53 FORK |
| 159182 | 1 | RINSING TUBE CHEM.FILL |
| 168287 | 1 | PLATE ANTI-VORTEX F.CHEM FILL |
| 168289 | 1 | BRACKET F. 3-WAY VALVE |
| 240947 | 1 | O-RING D7.3X2.4 NITRIL |
| 241978 | 1 | O-RING 64.5X3.0 |
| 242219 | 1 | O-RING D16.3X2.4 VITON |
| 242354 | 1 | O-RING D32.2X3.0 VITON |
| 242566 | 1 | LATCH STRAP F. CHEM.FILL |
| 283889 | 1 | CLIP F.TUBE SUPPORT |
| 320084 | 1 | FITT.DK NUT 1/2" BSP |
| 320283 | 1 | FITT.DK NUT 3/4"BSP |
| 320331 | 1 | FITT.DK TEE 1" - 1" - 3/4" BSP |
| 320655 | 1 | FITT.DK HN 1/2"-1/2" BSP |
| 322103 | 1 | FITT.DK S-53 BULKHEAD |
| 322107 | 1 | FITT.DK S-53 BULKHEAD NUT |
| 322108 | 1 | FITT.DK S-67 BULKHEAD NUT |
| 322110 | 1 | FITT.DK S-53 ELB. 1/2" BSP |
| 322243 | 1 | DRAIN PIPE/CHEM FIL.S67/S56 |
| 330212 | 1 | O-RING D19/D14X2.4 F.1/2"NUT |
| 330326 | 1 | O-RING D30/D24X2 F.1"NUT |
| 330687 | 1 | FITT.DK HB 1/2" F. 1/2" NUT |
| 332076 | 1 | CONE INSERT F. ALUMINUM LANCE |
| 334215 | 1 | RUBBER |
| 334216 | 1 | RUBBER LATCH FOR CHEM.FILL |
| 334260 | 1 | GASKET F. S-53 BULKHEAD |
| 334534 | 1 | CLAMP HOSE PLASTIC 1/2" |
| 371552 | 1 | NOZZLE F.RINSING |
| 390277 | 1 | SCALE PLATE FOR HARDI FILLER |
| 390400 | 1 | FITT.DK BULKHEAD 1/2'X1/2' |
| 410546 | 1 | BOLT HEX M6X12 A2 SS DIN933 |
| 420862 | 1 | BOLT HEX 8.8 DEL M10X16 FT |
| 440634 | 1 | SCREW 5/8" |
| 440667 | 1 | SCREW M3.5X12 SLOT STAINLESS |
| 440675 | 1 | SCREW F. PLASTIC 5X16 SS |
| 451007 | 1 | SCREW M6X20 STAINLESS |
| 460261 | 1 | NUT HEX M6X1.00 LOCK DIN985 A2 SS |
| 460423 | 1 | NUT HEX M10X1.50 LOCK DIN985A2 SS |
| 471124 | 1 | WASHER, M6, Ø18/ 6.4X 1.6, SS |
| 614728 | 1 | LID FOR CHEM FILLER |
| 614729 | 1 | TANK HARDI FILLER |
| 636150 | 1 | FRAME FOR CHEM FILL TANK |
| 636718 | 1 | RINSE SUPPORT CHEM.FILL 25/35L |
| 636729 | 1 | TUBE F. RINSE CHEM FILL |
| 716236 | 1 | FITT.DK HB 1/2" ASSY. F. 3/4" |
| 727543 | 1 | VALVE F.CHEM FILL JUG RINSE |
| 92702103 | 1 | HOSE R X1/2" X300PSI WP X0012" |



K0100



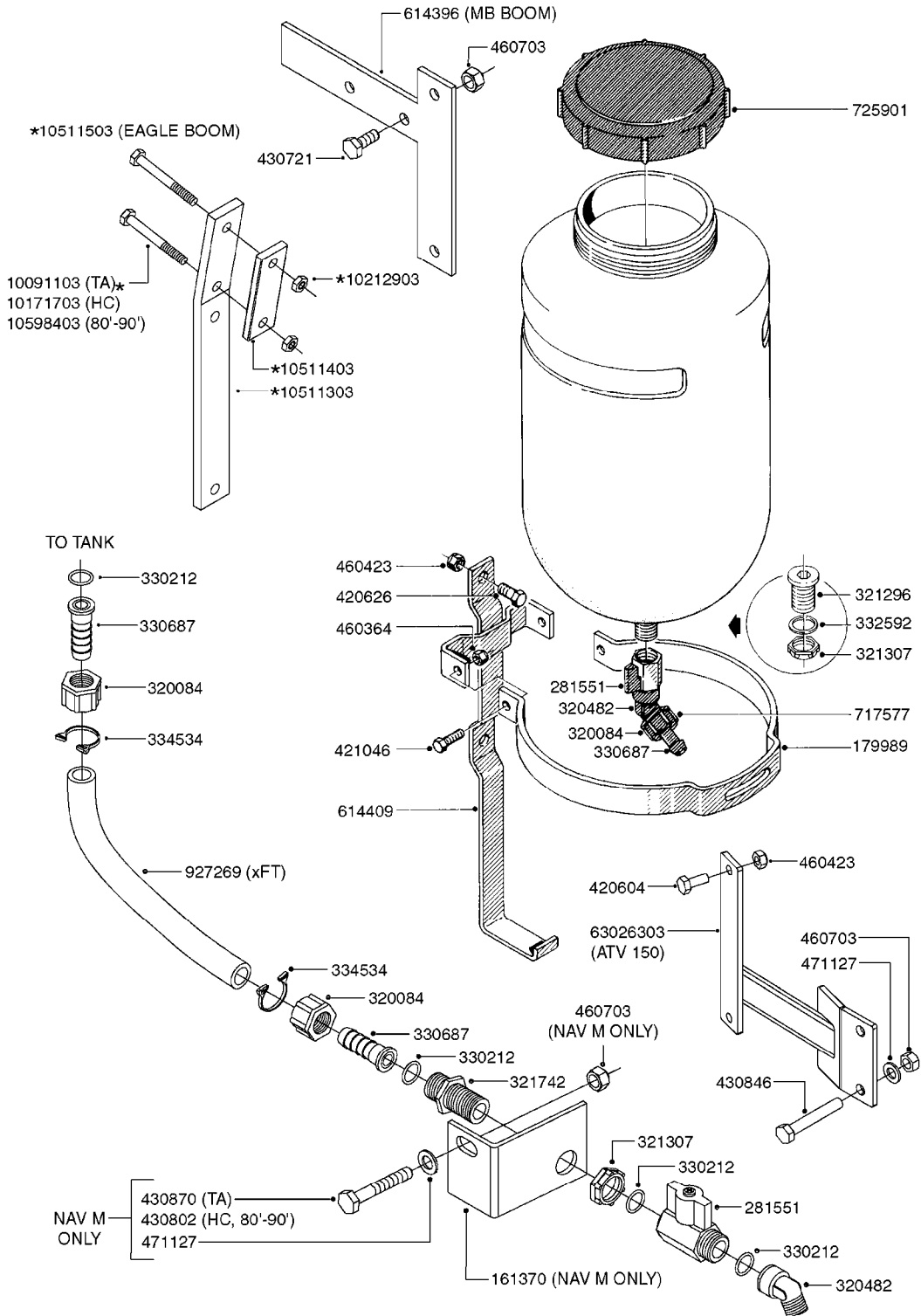
CHEMICAL FILLER-HOPPER (POST95)
K0100-HIN, 01:01:16

Page 1
Date 12.08.2020 9:25

| parts-n° | order qty | description |
|----------|-----------|-----------------------------------|
| 145970 | 1 | PLUG MF 11 X 1 |
| 145995 | 1 | FITT.DK S-53 FORK |
| 147118 | 1 | BUSHING 10,0/6,2 L=5 CHEM FILL |
| 159182 | 1 | RINSING TUBE CHEM.FILL |
| 165557 | 1 | WASHER D28.0/D12.2X2.0 SS |
| 168287 | 1 | PLATE ANTI-VORTEX F.CHEM FILL |
| 168289 | 1 | BRACKET F. 3-WAY VALVE |
| 240947 | 1 | O-RING D7.3X2.4 NITRIL |
| 241978 | 1 | O-RING 64.5X3.0 |
| 242219 | 1 | O-RING D16.3X2.4 VITON |
| 242354 | 1 | O-RING D32.2X3.0 VITON |
| 283889 | 1 | CLIP F.TUBE SUPPORT |
| 320084 | 1 | FITT.DK NUT 1/2" BSP |
| 320283 | 1 | FITT.DK NUT 3/4"BSP |
| 320331 | 1 | FITT.DK TEE 1" - 1" - 3/4" BSP |
| 320655 | 1 | FITT.DK HN 1/2"-1/2" BSP |
| 322103 | 1 | FITT.DK S-53 BULKHEAD |
| 322107 | 1 | FITT.DK S-53 BULKHEAD NUT |
| 322108 | 1 | FITT.DK S-67 BULKHEAD NUT |
| 322110 | 1 | FITT.DK S-53 ELB. 1/2" BSP |
| 322243 | 1 | DRAIN PIPE/CHEM FIL.S67/S56 |
| 330212 | 1 | O-RING D19/D14X2.4 F.1/2"NUT |
| 330326 | 1 | O-RING D30/D24X2 F.1"NUT |
| 330687 | 1 | FITT.DK HB 1/2" F. 1/2" NUT |
| 332076 | 1 | CONE INSERT F. ALUMINUM LANCE |
| 334216 | 1 | RUBBER LATCH FOR CHEM.FILL |
| 334260 | 1 | GASKET F. S-53 BULKHEAD |
| 334534 | 1 | CLAMP HOSE PLASTIC 1/2" |
| 351655 | 1 | LID CHEM FILL.25L POST 95 |
| 351656 | 1 | HOPPER F.CHEM FILL 25L POST'96 |
| 371552 | 1 | NOZZLE F.RINSING |
| 390277 | 1 | SCALE PLATE FOR HARDI FILLER |
| 390400 | 1 | FITT.DK BULKHEAD 1/2'X1/2' |
| 390669 | 1 | HANDLE F.CHEM FILLER |
| 410362 | 1 | BOLT HEX 8.8 SS M6X20 |
| 410546 | 1 | BOLT HEX M6X12 A2 SS DIN933 |
| 420862 | 1 | BOLT HEX 8.8 DEL M10X16 FT |
| 430892 | 1 | BOLT HEX 8.8 DEL M12X110 |
| 440634 | 1 | SCREW 5/8" |
| 440667 | 1 | SCREW M3.5X12 SLOT STAINLESS |
| 440675 | 1 | SCREW F. PLASTIC 5X16 SS |
| 440709 | 1 | SCREW 60X12 CHEM.FILL HANDLE |
| 451007 | 1 | SCREW M6X20 STAINLESS |
| 460261 | 1 | NUT HEX M6X1.00 LOCK DIN985 A2 SS |
| 460423 | 1 | NUT HEX M10X1.50 LOCK DIN985A2 SS |
| 460703 | 1 | NUT HEX M12X1.75 LOCK DIN985A2 SS |
| 471124 | 1 | WASHER, M6, Ø18/ 6.4X 1.6, SS |
| 615601 | 1 | BUNGEE CORD 21-1/4" |
| 636150 | 1 | FRAME FOR CHEM FILL TANK |
| 636718 | 1 | RINSE SUPPORT CHEM.FILL 25/35L |
| 636729 | 1 | TUBE F. RINSE CHEM FILL |
| 637647 | 1 | BRACKET F.CHEMFILL |
| 716236 | 1 | FITT.DK HB 1/2" ASSY. F. 3/4" |
| 727543 | 1 | VALVE F.CHEM FILL JUG RINSE |
| 92702103 | 1 | HOSE R X1/2" X300PSI WP X0012" |



CLEAN WATER TANK
K0130-HIN, 01:01:16



COMPLETE TANK ASSY : 722072

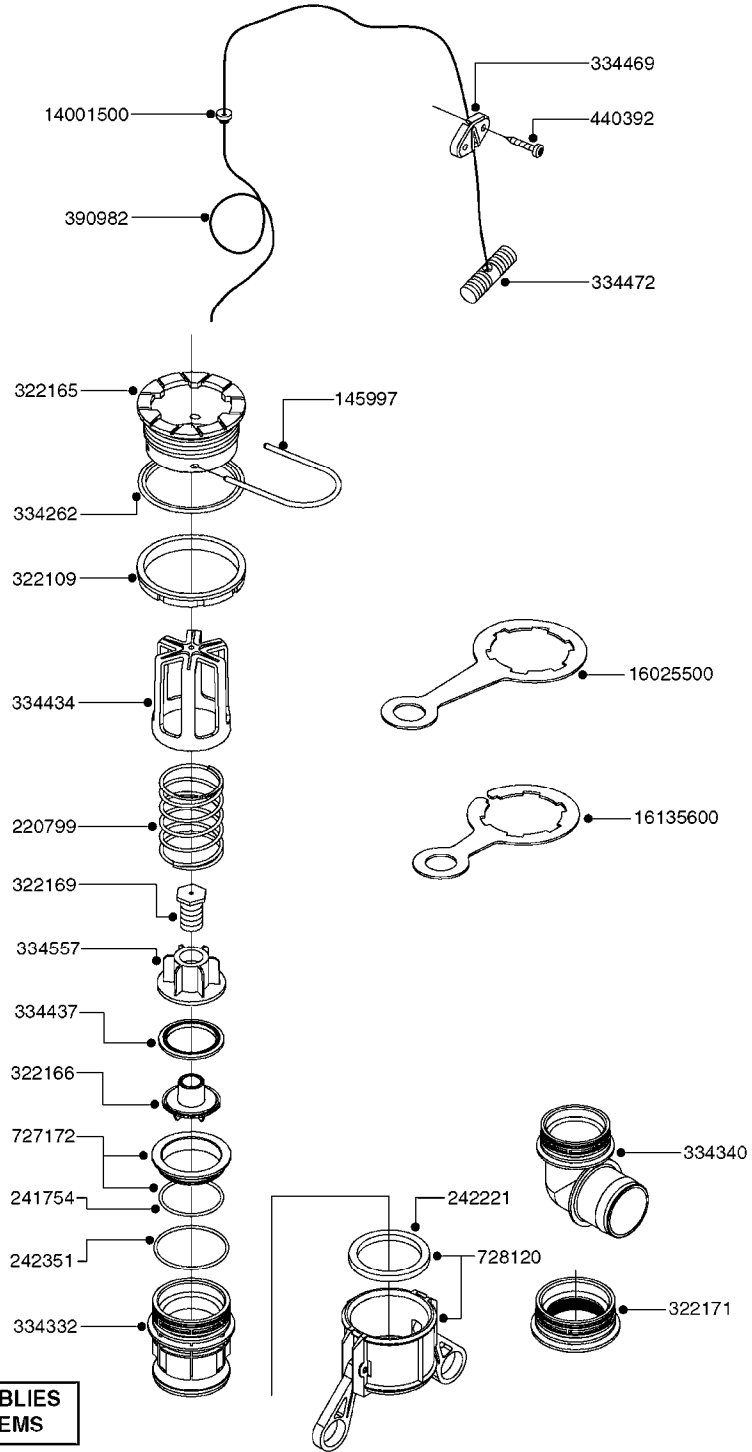
K0130



CLEAN WATER TANK
K0130-HIN, 01:01:16

Page 1
Date 12.08.2020 9:25

| parts-n° | order qty | description |
|----------|-----------|-----------------------------------|
| 161370 | 1 | BKT.CLEAN WATER BOTT. VALVE |
| 179989 | 1 | BRKT. F. 3 GAL. TANK |
| 281551 | 1 | BALL VALVE 1/2" |
| 320084 | 1 | FITT.DK NUT 1/2" BSP |
| 320482 | 1 | FITT.DK ELB. 1/2" BSP 60 DEG. |
| 321296 | 1 | FITT.DK BULKHEAD 1/2" BSP SING |
| 321307 | 1 | FITT.DK NUT 1/2" BSP JAMB |
| 321742 | 1 | FITT.DK BULKHEAD 1/2' BSP |
| 330212 | 1 | O-RING D19/D14X2.4 F.1/2"NUT |
| 330687 | 1 | FITT.DK HB 1/2" F. 1/2" NUT |
| 332592 | 1 | O-RING D26/D20X3 |
| 334534 | 1 | CLAMP HOSE PLASTIC 1/2" |
| 420604 | 1 | BOLT HEX 8.8 DEL M10X25 FT DIN933 |
| 420626 | 1 | BOLT HEX 8.8 DEL M10X20 FT |
| 421046 | 1 | BOLT HEX M8X25/25 A2 SS DIN933 |
| 430721 | 1 | BOLT HEX 8.8 DEL M12X40 FT |
| 430802 | 1 | BOLT HEX 8.8 DEL M12X75 |
| 430846 | 1 | BOLT HEX 8.8 DEL M12X80 |
| 430870 | 1 | BOLT HEX 8.8 DEL M12X55 FT |
| 460364 | 1 | NUT HU M8 A2 SS DIN934 |
| 460423 | 1 | NUT HEX M10X1.50 LOCK DIN985A2 SS |
| 460703 | 1 | NUT HEX M12X1.75 LOCK DIN985A2 SS |
| 471127 | 1 | WASHER, M12, Ø24/13X24X2.5 SS |
| 614396 | 1 | CLEAN WATER BRACKET MB |
| 614409 | 1 | BRACKET FOR FOAM MARKER |
| 717577 | 1 | VALVE F.CLEAN WATER TANK |
| 722072 | 1 | CLEAN WATER TANK W FRAME & TAP |
| 725901 | 1 | LID F.WATER BOTTLE VENTED |
| 927269 | 1 | HOSE R X PVC X 1/2 X 0012" |
| 10091103 | 1 | BOLT HEX 3/8 NC GR.2 03.00' |
| 10171703 | 1 | BOLT HEX 3/8 NC GR.2 03.50" |
| 10212903 | 1 | NUT HEX NC (NYLON LOCK) 3/8" |
| 10511303 | 1 | FLATBAR L350/17DEG.CLEAN WATER |
| 10511403 | 1 | FLATBAR 104MM CLEAN WATER |
| 10511503 | 1 | BKT.CLEAN WATER MOUNT EAGLE |
| 10598403 | 1 | BOLT HEX HCS3/8-16 X 4 Z 5 |
| 63026303 | 1 | CLEAN WATER TANK BRKT, ATV |



727617 - COMPLETE ASSEMBLY (2" BSP THREADED FITTING & 126" CORD)
727742 - COMPLETE ASSEMBLY (2-1/2" ELBOW & 157.5" CORD)

K0180

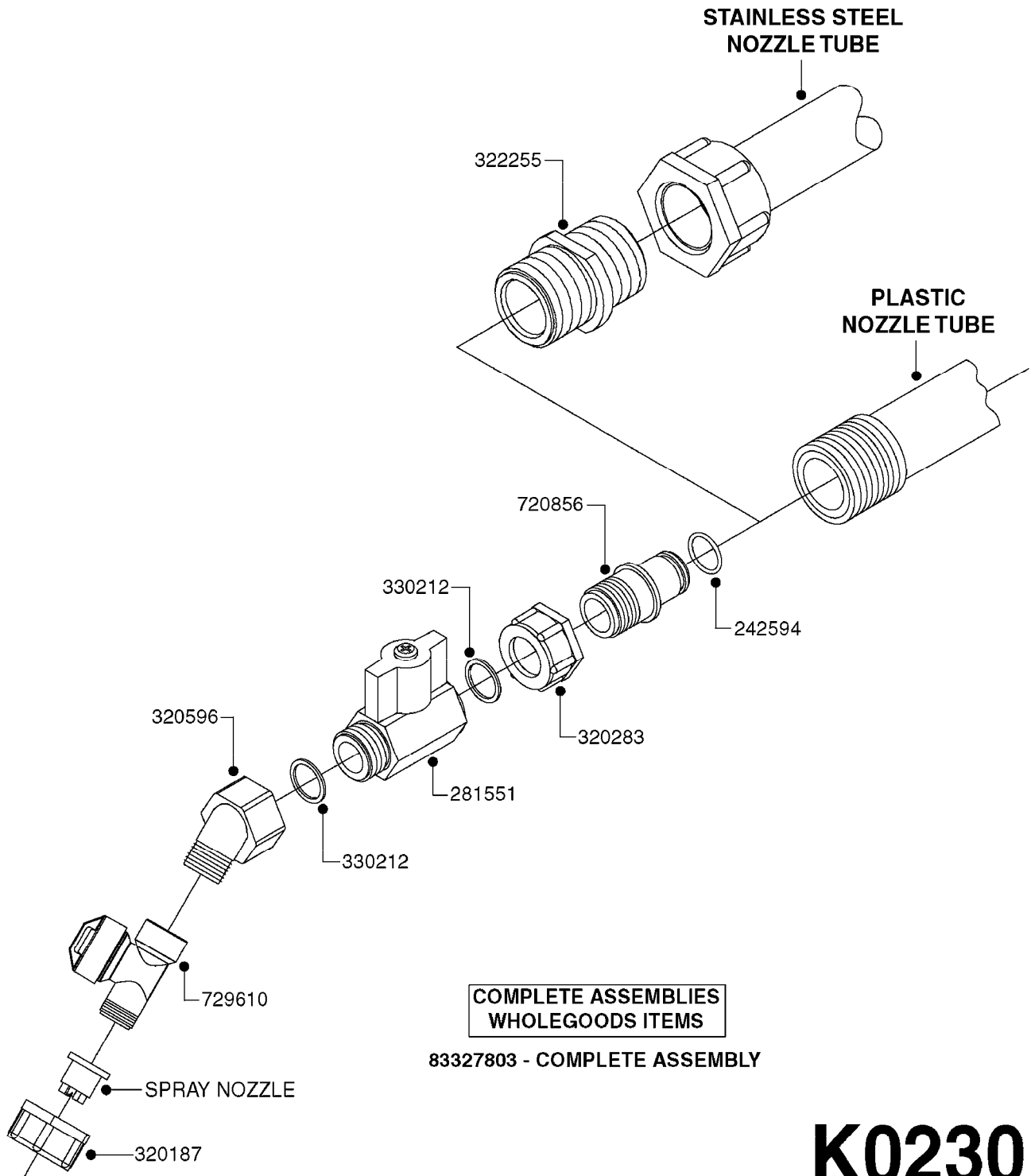


DRAIN ASSEMBLY-PULL CORD TYPE
K0180-HIN, 01:01:16

Page 1

Date 12.08.2020 9:25

| parts-n° | order qty | description |
|----------|-----------|--------------------------------|
| 145997 | 1 | FITT.DK S-93 FORK |
| 220799 | 1 | SPRING F.TOP DRAIN |
| 241754 | 1 | O-RING D59.5X3 |
| 242221 | 1 | GASKET F. S-93 QUICK COUPLERS |
| 242351 | 1 | O-RING D69.5X3.0 VITON F.S-93 |
| 322109 | 1 | FITT.DK S-93 BULKHEAD NUT |
| 322165 | 1 | FITT.DK S-93 BULKHEAD SINGLE |
| 322166 | 1 | VALVE FLAP LOWER PART |
| 322169 | 1 | CORD PLUG F.TOP DRAIN |
| 322171 | 1 | FITT.DK S-93 THREAD INS.2"BSP |
| 334262 | 1 | GASKET F.S-93 BULKHEAD |
| 334332 | 1 | FITT.DK S-93 MALE QUICK COUP. |
| 334340 | 1 | FITT.DK S-93 ELBOW 2.5" |
| 334434 | 1 | CAGE F.SPRING BOTTOM DRAIN ASY |
| 334437 | 1 | SEAL FOR VALVE FLAP |
| 334469 | 1 | CLEVIS F.CORD TOP DRAIN ASSY. |
| 334472 | 1 | HANDLE FOR TOP DRAIN |
| 334557 | 1 | SPRING SEAT TOP DRAIN |
| 390982 | 1 | CORD NYLON 4000MM |
| 440392 | 1 | SCREW 6.3 X 25.0 DIN7981C TORX |
| 727172 | 1 | FITT.DK S-93 SEAT INSERT |
| 727617 | 1 | FITT.DK S-93 BOTTOM VALVE 2' |
| 727742 | 1 | TOP DRAIN CORD TYPE |
| 728120 | 1 | QUICK COUPLER CAP F.S93 DRAIN |
| 14001500 | 1 | GROMMET F.TOP DRAIN CORD |
| 16025500 | 1 | TANK SPACER SIGHT GAUGE |
| 16135600 | 1 | GUIDE FOR SIGHT GAUGE NAV/NCM |

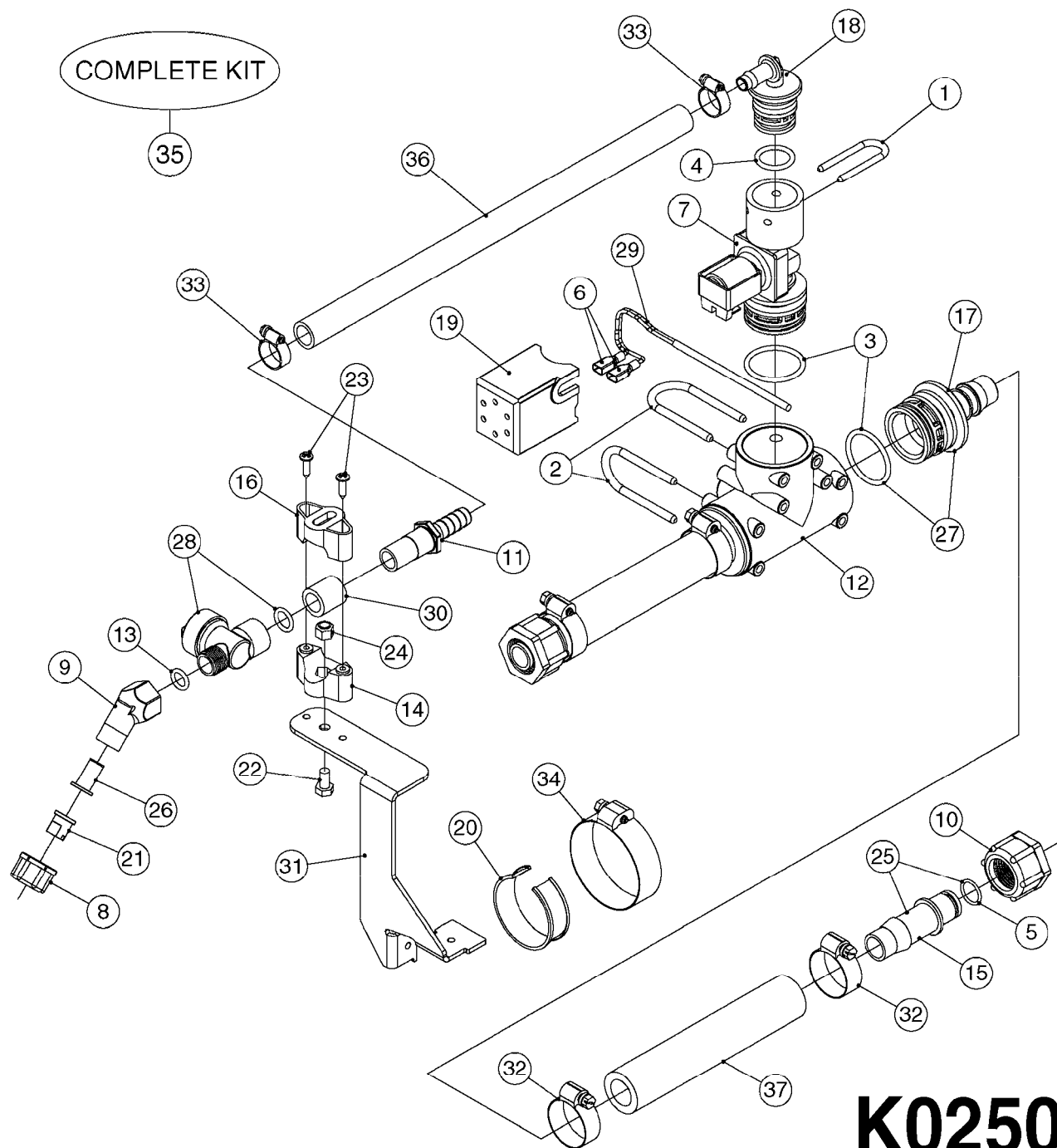




END NOZZLE KIT
K0230-HIN, 01:01:16

Page 1
Date 12.08.2020 9:25

| parts-n° | order qty | description |
|----------|-----------|--------------------------------|
| 242594 | 1 | O-RING D14 X 1.78 SCH.70-EPDM |
| 281551 | 1 | BALL VALVE 1/2" |
| 320187 | 1 | FITT.DK CAP 3/8" BSP BLACK |
| 320283 | 1 | FITT.DK NUT 3/4"BSP |
| 320596 | 1 | FITT.DK ELB 3/8'-1/2'BSP 45DEG |
| 322255 | 1 | FITT.DK NIPPLE 3/4"X 3/4" |
| 330212 | 1 | O-RING D19/D14X2.4 F.1/2"NUT |
| 720856 | 1 | FITT.DK 1/2'BSP ASSY.F.3/4'NUT |
| 729610 | 1 | NOZZLE ASSY. NON DRIP 3/8 THRD |
| 83327803 | 1 | END NOZZLE KIT "04" |



K0250



ELECTRIC END NOZZLE KIT '09
K0250-HIN, 01:01:16

Page 1
Date 12.08.2020 9:25

| Pos. | parts-n° | order qty | description |
|------|----------|-----------|-----------------------------------|
| 1 | 145994 | 1 | FITT.DK S-40 FORK |
| 2 | 145995 | 1 | FITT.DK S-53 FORK |
| 3 | 242354 | 1 | O-RING D32.2X3.0 VITON |
| 4 | 242355 | 1 | O-RING D19.2X3.0 VITON F.S-40 |
| 5 | 242594 | 1 | O-RING D14 X 1.78 SCH.70-EPDM |
| 6 | 261539 | 1 | SPADE F.ELEC CONNEX BLUE INSUL |
| 7 | 262104 | 1 | VALVE, SOLENOID, S53/S40 |
| 8 | 320187 | 1 | FITT.DK CAP 3/8" BSP BLACK |
| 9 | 320191 | 1 | FITT.DK ELB 3/8' BSP 45 DEGREE |
| 10 | 320283 | 1 | FITT.DK NUT 3/4"BSP |
| 11 | 320891 | 1 | FITT.DK HB 3/8'- 3/8' BSP |
| 12 | 322352 | 1 | FITT.DK S-53 TEE |
| 13 | 330013 | 1 | O-RING 2.5 X 10 PUR |
| 14 | 333012 | 1 | NOZZLE HOLD. UPPER PART |
| 15 | 334044 | 1 | FITT.DK HB 3/4' F. 3/4' CAP |
| 16 | 334220 | 1 | YOKE, UPPER NOZZLE BODY |
| 17 | 334229 | 1 | FITT.DK S-53 STR.3/4" |
| 18 | 334237 | 1 | FITT.DK S-40 ELB.3/8" |
| 19 | 334965 | 1 | COVER FOR S53 SOLENOID VALVE |
| 20 | 341291 | 1 | RUBBER HOSE CLAMP COVER 130MM |
| 21 | 370392 | 1 | NOZZLE END FAN 1850-G 300 |
| 22 | 410546 | 1 | BOLT HEX M6X12 A2 SS DIN933 |
| 23 | 440665 | 1 | SCREW M4.2X16 STAINLESS |
| 24 | 460261 | 1 | NUT HEX M6X1.00 LOCK DIN985 A2 SS |
| 25 | 724621 | 1 | FITT.DK HB 3/4"ASSY F.3/4" NUT |
| 26 | 725042 | 1 | SCREEN 80 MESH W.GASKET, RED |
| 27 | 726558 | 1 | FITT.DK S53 STR. 3/4" W. ORING |
| 28 | 729610 | 1 | NOZZLE ASSY. NON DRIP 3/8 THRD |
| 29 | 983087 | 1 | ELEC. CABLE 2 WIRE X 0.75MM |
| 30 | 10631003 | 1 | HOSE R X CLEAR BRAID.X 1/2 12" |
| 31 | 16110803 | 1 | NOZZLE BRACKET VAR SPACINGS |
| 32 | 28029903 | 1 | CLAMP HOSE GEAR P3/4"-S1" 6712 |
| 33 | 28044903 | 1 | CLAMP HOSE GEAR P3/8" 6706 |
| 34 | 28047003 | 1 | CLAMP HOSE GEAR 30 X 50 6732 |
| 35 | 82613203 | 1 | ELECTRIC END NOZZLE KIT 2009 |
| 36 | 92701703 | 1 | HOSE R X3/8" X300PSI WP X0012" |
| 37 | 92703203 | 1 | HOSE R X3/4" X300PSI WP X0012" |



COMPLETE KIT NO
LONGER AVAILABLE.
FOR '09 KIT
SEE PAGE

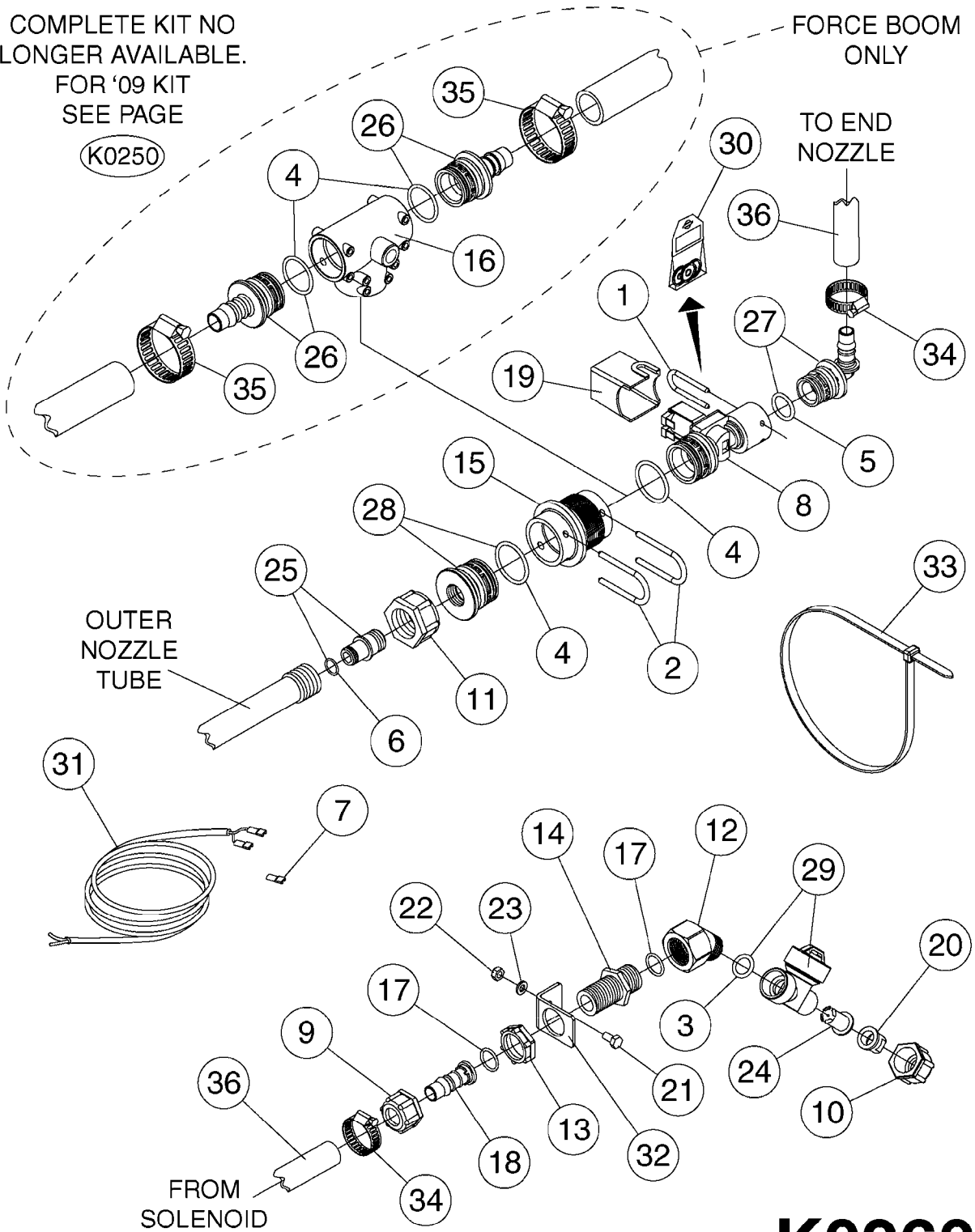
(K0250)

FORCE BOOM
ONLY

TO END
NOZZLE

OUTER
NOZZLE
TUBE

FROM
SOLENOID
ASSEMBLY



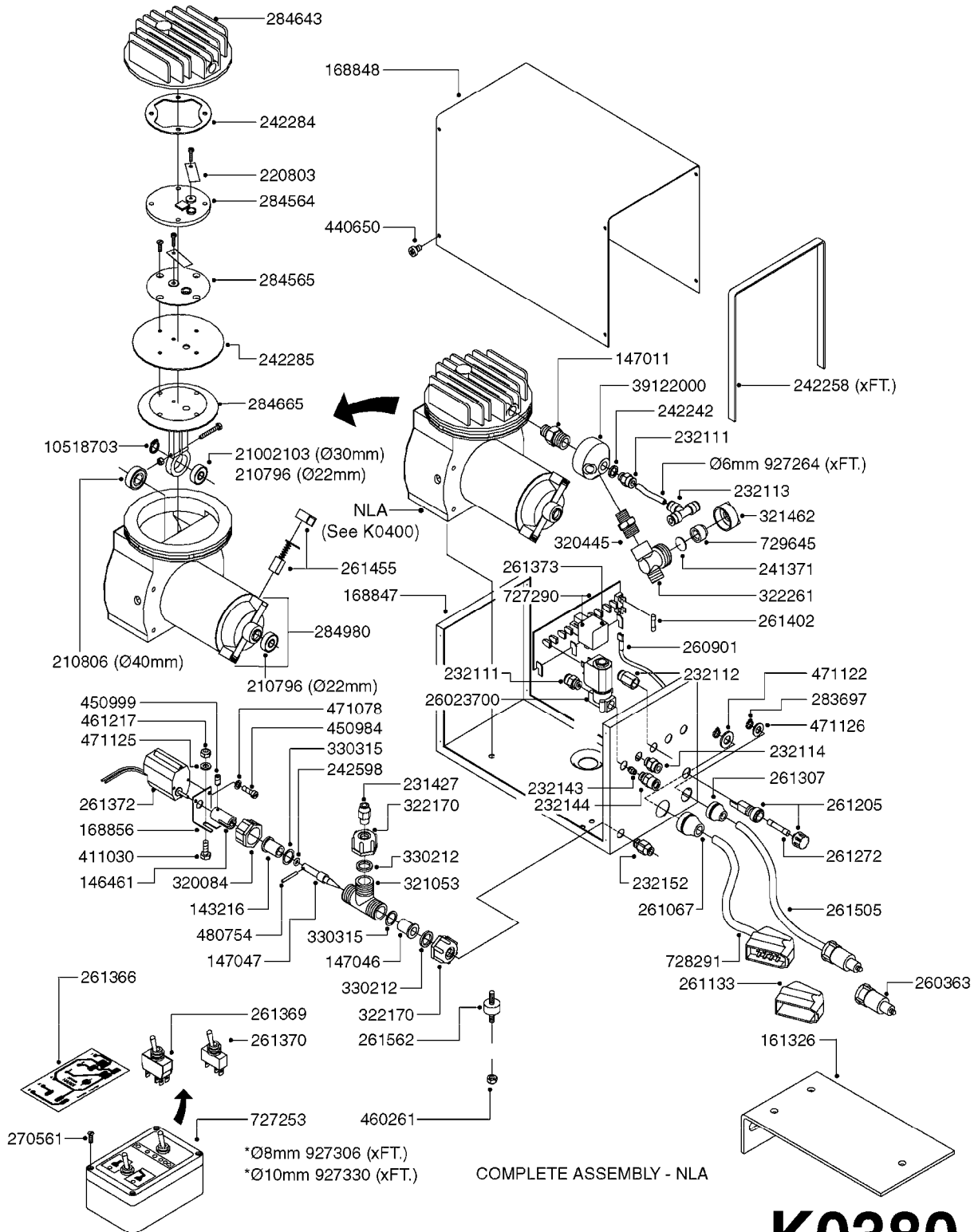
K0260



ELECTRIC END NOZZLE KIT '12
K0260-HIN, 01:01:16

Page 1
Date 12.08.2020 9:25

| Pos. | parts-n° | order qty | description |
|------|----------|-----------|---|
| 1 | 145994 | 1 | FITT.DK S-40 FORK |
| 2 | 145995 | 1 | FITT.DK S-53 FORK |
| 3 | 240177 | 1 | O-RING D16.1/11.3 X 2.4 |
| 4 | 242354 | 1 | O-RING D32.2X3.0 VITON |
| 5 | 242355 | 1 | O-RING D19.2X3.0 VITON F.S-40 |
| 6 | 242594 | 1 | O-RING D14 X 1.78 SCH.70-EPDM |
| 7 | 261539 | 1 | SPADE F.ELEC CONNec BLUE INSUL |
| 8 | 262104 | 1 | VALVE, SOLENOID, S53/S40 |
| 9 | 320084 | 1 | FITT.DK NUT 1/2" BSP |
| 10 | 320187 | 1 | FITT.DK CAP 3/8" BSP BLACK |
| 11 | 320283 | 1 | FITT.DK NUT 3/4"BSP |
| 12 | 320596 | 1 | FITT.DK ELB 3/8'-1/2'BSP 45DEG |
| 13 | 321307 | 1 | FITT.DK NUT 1/2" BSP JAMB |
| 14 | 321742 | 1 | FITT.DK BULKHEAD 1/2' BSP |
| 15 | 322103 | 1 | FITT.DK S-53 BULKHEAD |
| 16 | 322352 | 1 | FITT.DK S-53 TEE |
| 17 | 330212 | 1 | O-RING D19/D14X2.4 F.1/2"NUT |
| 18 | 330687 | 1 | FITT.DK HB 1/2" F. 1/2" NUT |
| 19 | 334965 | 1 | COVER FOR S53 SOLENOID VALVE |
| 20 | 370366 | 1 | OFF-CENTER FLAT SPRAY NOZZLE, 1850 - G150 |
| 21 | 410185 | 1 | BOLT HEX 8.8 DEL M6X16 |
| 22 | 460261 | 1 | NUT HEX M6X1.00 LOCK DIN985 A2 SS |
| 23 | 471125 | 1 | WASHER M6U 6.4X14X1.2,A2 SS |
| 24 | 614366 | 1 | FILTER 50 MESH F.NOZZLE BLUE |
| 24 | 614367 | 1 | FILTER 80 MESH F.NOZZLE RED |
| 24 | 614368 | 1 | FILTER 100 MESH F.NOZZLE YEL. |
| 25 | 720856 | 1 | FITT.DK 1/2'BSP ASSY.F.3/4'NUT |
| 26 | 726558 | 1 | FITT.DK S53 STR. 3/4" W.ORING |
| 27 | 726567 | 1 | FITT.DK S-40 ELB.1/2" W.O-RING |
| 28 | 726694 | 1 | PLUG,S53,1/2"FBSP THD W.ORING |
| 29 | 729610 | 1 | NOZZLE ASSY. NON DRIP 3/8 THRD |
| 30 | 750722 | 1 | REPAIR KIT FOR 3S SC CONTROL |
| 31 | 983087 | 1 | ELEC. CABLE 2 WIRE X 0.75MM |
| 32 | 16180100 | 1 | PLATE, END ROW NOZZLE |
| 33 | 28025203 | 1 | TIE STRAP L=23" x W=1/2" |
| 34 | 28029803 | 1 | CLAMP HOSE GEAR P1/2" 6708 |
| 35 | 28029903 | 1 | CLAMP HOSE GEAR P3/4"-S1" 6712 |
| 36 | 92702103 | 1 | HOSE R X1/2" X300PSI WP X0012" |



K0380



FOAM MARKER COMPRESSOR POST 94
K0380-HIN, 17:03:16

Page 1
Date 12.08.2020 9:25

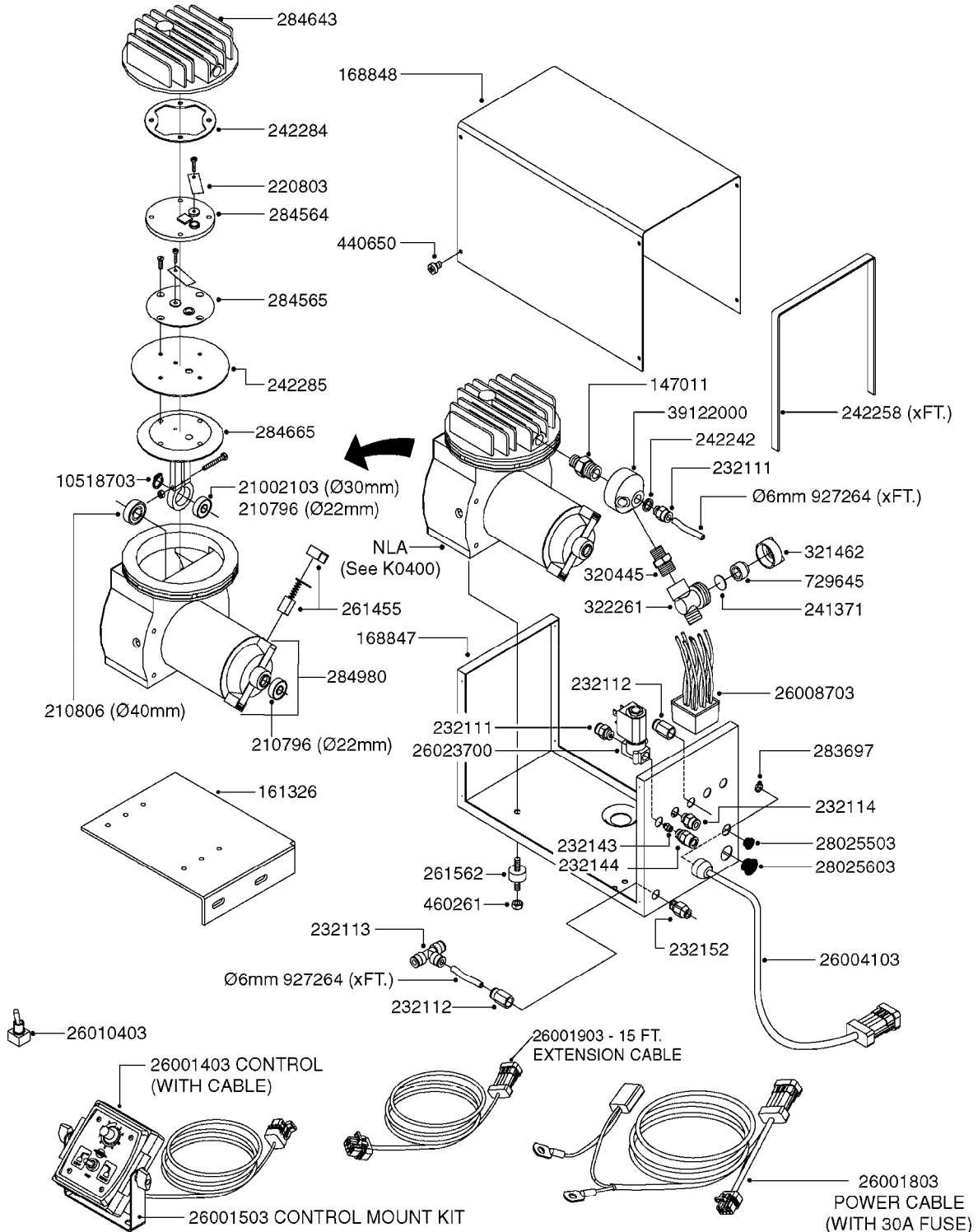
| parts-n° | order qty | description |
|----------|-----------|--------------------------------|
| 143216 | 1 | BUSHING THREAD F.FOAM MARKER |
| 146461 | 1 | COUPLER F.THROTTLE VALVE |
| 147011 | 1 | HEX NIPPLE 3/8'X1/4'BSP BRASS |
| 147046 | 1 | SEAT FOR THROTTLE VALVE |
| 147047 | 1 | SPINDLE FOR THROTTLE VALVE |
| 161326 | 1 | MOUNT BKT. F. FOAM COMP.BOX 98 |
| 168847 | 1 | ENCLOSURE LOWER F.MARKER |
| 168848 | 1 | COVER F. FOAM MARKER |
| 168856 | 1 | MOUNT FOR GEAR MOTOR |
| 210796 | 1 | BEARING BALL D22/D8 X 7 608ZZ |
| 210806 | 1 | BEARING BALL D40/D17X12MM |
| 220803 | 1 | VALVE F. COMPRESSOR |
| 231427 | 1 | COUPLER 1/8'THREAD X6MM HOSE |
| 232111 | 1 | QUICK COUPLER 6MM X 1/8 EXT. |
| 232112 | 1 | QUICK COUPLER 6MM 1/8 INT. |
| 232113 | 1 | QUICK COUPLER 6MM T-PIECE |
| 232114 | 1 | COUPLER 1/8" THREADX8MM HOSE |
| 232143 | 1 | REDUCER 1/4'INT-1/8'EXT |
| 232144 | 1 | QUICK COUPLER 10MM X 1/4 EXT |
| 232152 | 1 | QUICK COUPLER 8MMX1/8 EXT.LONG |
| 241371 | 1 | DIAPHRAGM F.NO-DRIP,VULC |
| 242242 | 1 | O-RING F.AIR HOSE FITTING |
| 242258 | 1 | TRIM 3X10 SELF ADHESIVE 0012" |
| 242284 | 1 | HEAD GASKET F. COMPRESSOR |
| 242285 | 1 | DIAPHRAGM F. F/M COMP. |
| 242598 | 1 | O-RING D7.0 X 2.5 NITRIL |
| 260363 | 1 | PLUG 2 POLE 12V |
| 260901 | 1 | SPADE F.ELEC CONN.1.5MM BLUE |
| 261067 | 1 | GROMMET 10-14 GREY |
| 261133 | 1 | PLUG HOUSING F.8 POLE PLUG |
| 261205 | 1 | FUSE HOLDER |
| 261272 | 1 | FUSE 10A D6X32 MM |
| 261307 | 1 | GROMMET 7-10 BLACK |
| 261366 | 1 | CIRCUIT BOARD F.F/M CONTROL |
| 261369 | 1 | SWITCH 2 WAY 12V SPRING RETURN |
| 261370 | 1 | SWITCH 2 WAY 12V |
| 261372 | 1 | GEAR MOTOR BOSCH 13RPM |
| 261373 | 1 | RELAY 12V/30W |
| 261402 | 1 | FUSE 3.15A SLOW BURN |
| 261455 | 1 | BRUSH KIT-FOAM MARKER MOTOR |
| 261505 | 1 | CABLE 2X4MM L8000MM |
| 261562 | 1 | RUBBER DAMPER 2XM6X25 |
| 270561 | 1 | SCREW W/SPRING ASSY. (QTY 1) |
| 283697 | 1 | TIESTRAP 200MM |
| 284564 | 1 | PLATE F.COMPRESSOR HEAD |
| 284565 | 1 | PLATE F.COMPRESSOR HEAD |
| 284643 | 1 | COMPRESSOR HEAD F.FOAM MARKER |
| 284665 | 1 | CONNECTING ROD F.COMPRESSOR |
| 284980 | 1 | FLANGE REAR F. F.M.COMPRESSOR |
| 320084 | 1 | FITT.DK NUT 1/2" BSP |
| 320445 | 1 | FITT.DK HN 1/4"X3/8" BSP |
| 321053 | 1 | FITT.DK TEE 1/2 X1/2 X1/2" BSP |
| 321462 | 1 | CAP F.NO-DRIP ASSY. |
| 322170 | 1 | FITT.DK NUT 1/2"x 1/8"F BSP |
| 322261 | 1 | HOUSING F.SAFETY VALVE 3/8" |
| 330212 | 1 | O-RING D19/D14X2.4 F.1/2"NUT |
| 330315 | 1 | O-RING D18.4/D13X.6 |
| 411030 | 1 | BOLT HEX M5X10 |
| 440650 | 1 | SCREW 3.5x13 STAINLESS |
| 450984 | 1 | BOLT HEX M2.5X8 SLOTTED |
| 450999 | 1 | SCREW SET M3X8 |



FOAM MARKER COMPRESSOR POST 94
K0380-HIN, 17:03:16

Page 2
Date 12.08.2020 9:25

| parts-n° | order qty | description |
|----------|-----------|-----------------------------------|
| 460261 | 1 | NUT HEX M6X1.00 LOCK DIN985 A2 SS |
| 461217 | 1 | NUT HEX M5 LOCK |
| 471078 | 1 | WASHER D2.7/D5 |
| 471122 | 1 | WASHER, M10, Ø20/10.5X 2.0, SS |
| 471125 | 1 | WASHER M6U 6.4X14X1.2,A2 SS |
| 471126 | 1 | WASHER, M8, Ø16/ 8.4X 1.6, SS |
| 480754 | 1 | PIN D2 X 16 |
| 727253 | 1 | CONTROL BOX FOR FOAM MARKER |
| 727290 | 1 | CIRCUIT BOARD F. F-M W. RELAY |
| 728291 | 1 | CABLE 7x.5 L8000MM+8 POL.CONN. |
| 729645 | 1 | NON-DRIP SPRING ASSY.GREEN 10 |
| 927264 | 1 | HOSE R X PE D6/D4 X 0012" |
| 927306 | 1 | HOSE R X PE D8/D6 X 0012"BLACK |
| 927330 | 1 | HOSE R X PE D10/D8 X 012"BLACK |
| 10518703 | 1 | SNAP-RING OUTER 8X1 |
| 21002103 | 1 | BEARING, 6200 2ZJEM (SKF) |
| 26023700 | 1 | SOLENOID VAL 12V 1/8' FLO '07 |
| 39122000 | 1 | DISTR.HOUSING F.FOAM MARKER'07 |



K0390

*Ø8mm 927306 (xFT.)
*Ø10mm 927330 (xFT.)

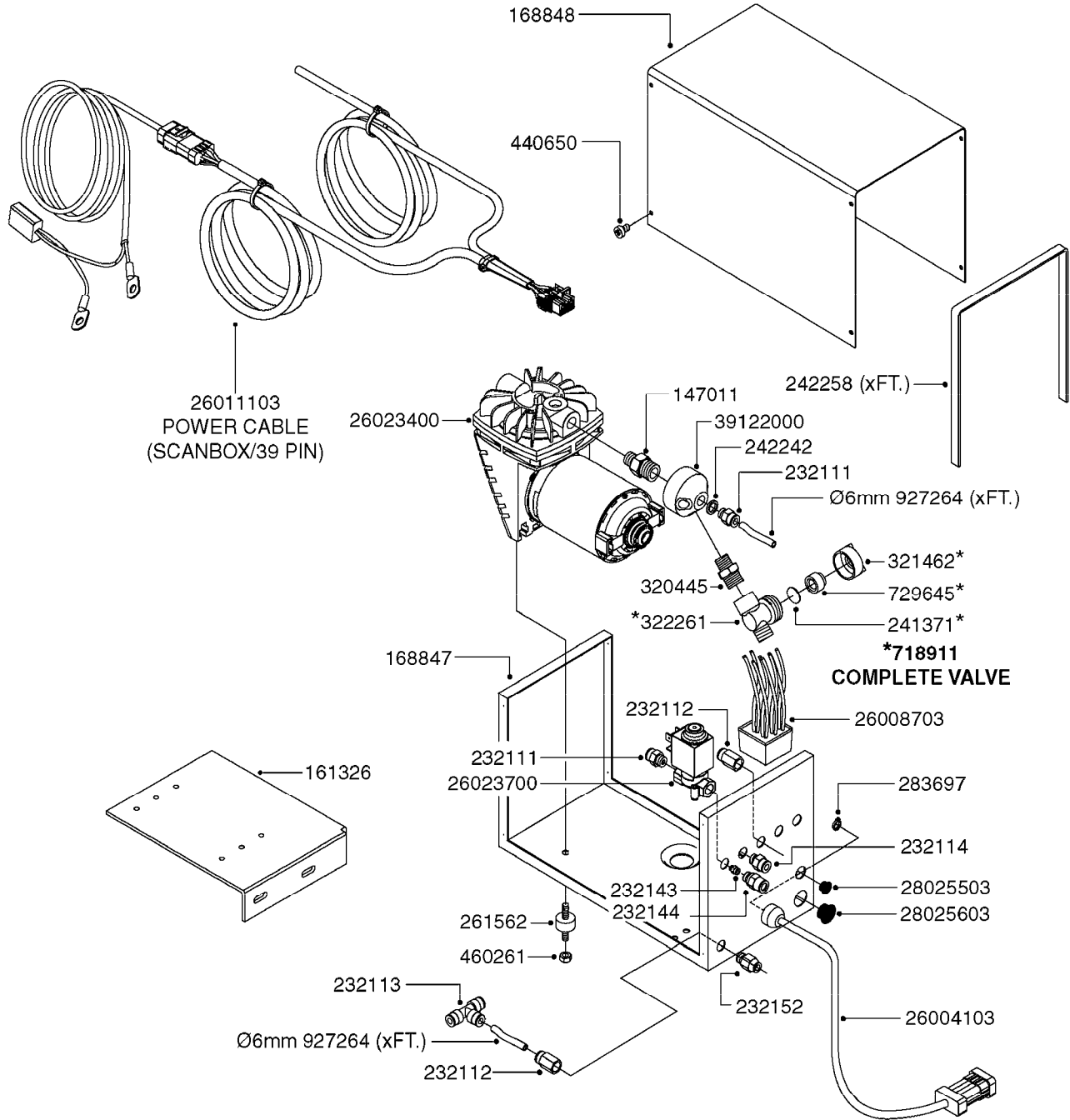
70019403 - COMPLETE ASSEMBLY



FOAM MARKER COMPRESSOR 2002
K0390-HIN, 01:01:16

Page 1
Date 12.08.2020 9:25

| parts-n° | order qty | description |
|----------|-----------|-----------------------------------|
| 147011 | 1 | HEX NIPPLE 3/8'X1/4'BSP BRASS |
| 161326 | 1 | MOUNT BKT. F. FOAM COMP.BOX 98 |
| 168847 | 1 | ENCLOSURE LOWER F.MARKER |
| 168848 | 1 | COVER F. FOAM MARKER |
| 210796 | 1 | BEARING BALL D22/D8 X 7 608ZZ |
| 210806 | 1 | BEARING BALL D40/D17X12MM |
| 220803 | 1 | VALVE F. COMPRESSOR |
| 232111 | 1 | QUICK COUPLER 6MM X 1/8 EXT. |
| 232112 | 1 | QUICK COUPLER 6MM 1/8 INT. |
| 232113 | 1 | QUICK COUPLER 6MM T-PIECE |
| 232114 | 1 | COUPLER 1/8" THREADX8MM HOSE |
| 232143 | 1 | REDUCER 1/4'INT-1/8'EXT |
| 232144 | 1 | QUICK COUPLER 10MM X 1/4 EXT |
| 232152 | 1 | QUICK COUPLER 8MMX1/8 EXT.LONG |
| 241371 | 1 | DIAPHRAGM F.NO-DRIP,VULC |
| 242242 | 1 | O-RING F.AIR HOSE FITTING |
| 242258 | 1 | TRIM 3X10 SELF ADHESIVE 0012" |
| 242284 | 1 | HEAD GASKET F. COMPRESSOR |
| 242285 | 1 | DIAPHRAGM F. F/M COMP. |
| 261455 | 1 | BRUSH KIT-FOAM MARKER MOTOR |
| 261562 | 1 | RUBBER DAMPER 2XM6X25 |
| 283697 | 1 | TIESTRAP 200MM |
| 284564 | 1 | PLATE F.COMPRESSOR HEAD |
| 284565 | 1 | PLATE F.COMPRESSOR HEAD |
| 284643 | 1 | COMPRESSOR HEAD F.FOAM MARKER |
| 284665 | 1 | CONNECTING ROD F.COMPRESSOR |
| 284980 | 1 | FLANGE REAR F. F.M.COMPRESSOR |
| 320445 | 1 | FITT.DK HN 1/4"X3/8" BSP |
| 321462 | 1 | CAP F.NO-DRIP ASSY. |
| 322261 | 1 | HOUSING F.SAFETY VALVE 3/8" |
| 440650 | 1 | SCREW 3.5x13 STAINLESS |
| 460261 | 1 | NUT HEX M6X1.00 LOCK DIN985 A2 SS |
| 729645 | 1 | NON-DRIP SPRING ASSY.GREEN 10 |
| 927264 | 1 | HOSE R X PE D6/D4 X 0012" |
| 927306 | 1 | HOSE R X PE D8/D6 X 0012"BLACK |
| 927330 | 1 | HOSE R X PE D10/D8 X 012"BLACK |
| 10518703 | 1 | SNAP-RING OUTER 8X1 |
| 21002103 | 1 | BEARING, 6200 2ZJEM (SKF) |
| 26001403 | 1 | HC FOAM MARKR CONSOLE VS3.0.00 |
| 26001503 | 1 | HC FOAM MARKER CONSOLE MT.KIT |
| 26001803 | 1 | POWER CABLE |
| 26001903 | 1 | 15' 7-PIN EXTENSION CABLE |
| 26004103 | 1 | FOAM MARKER CNTRL MOD CABL STD |
| 26008703 | 1 | FOAM MARKER CONTROL SCII |
| 26010403 | 1 | TOGGLE SWITCH MICRO-TRAK F.M. |
| 26023700 | 1 | SOLENOID VAL 12V 1/8' FLO '07 |
| 28025503 | 1 | PLUG F.DRILLED HOLE 1/2" |
| 28025603 | 1 | PLUG F.DRILLED HOLE 3/4" |
| 39122000 | 1 | DISTR.HOUSING F.FOAM MARKER'07 |
| 70019403 | 1 | FOAM MARKER COMPRESSOR KIT STD |



K0400

*Ø8mm 927306 (xFT.)
*Ø10mm 927330 (xFT.)

70062503 - COMPLETE ASSEMBLY



FOAM MARKER COMPRESSOR 2007
K0400-HIN, 01:01:16

Page 1
Date 12.08.2020 9:25

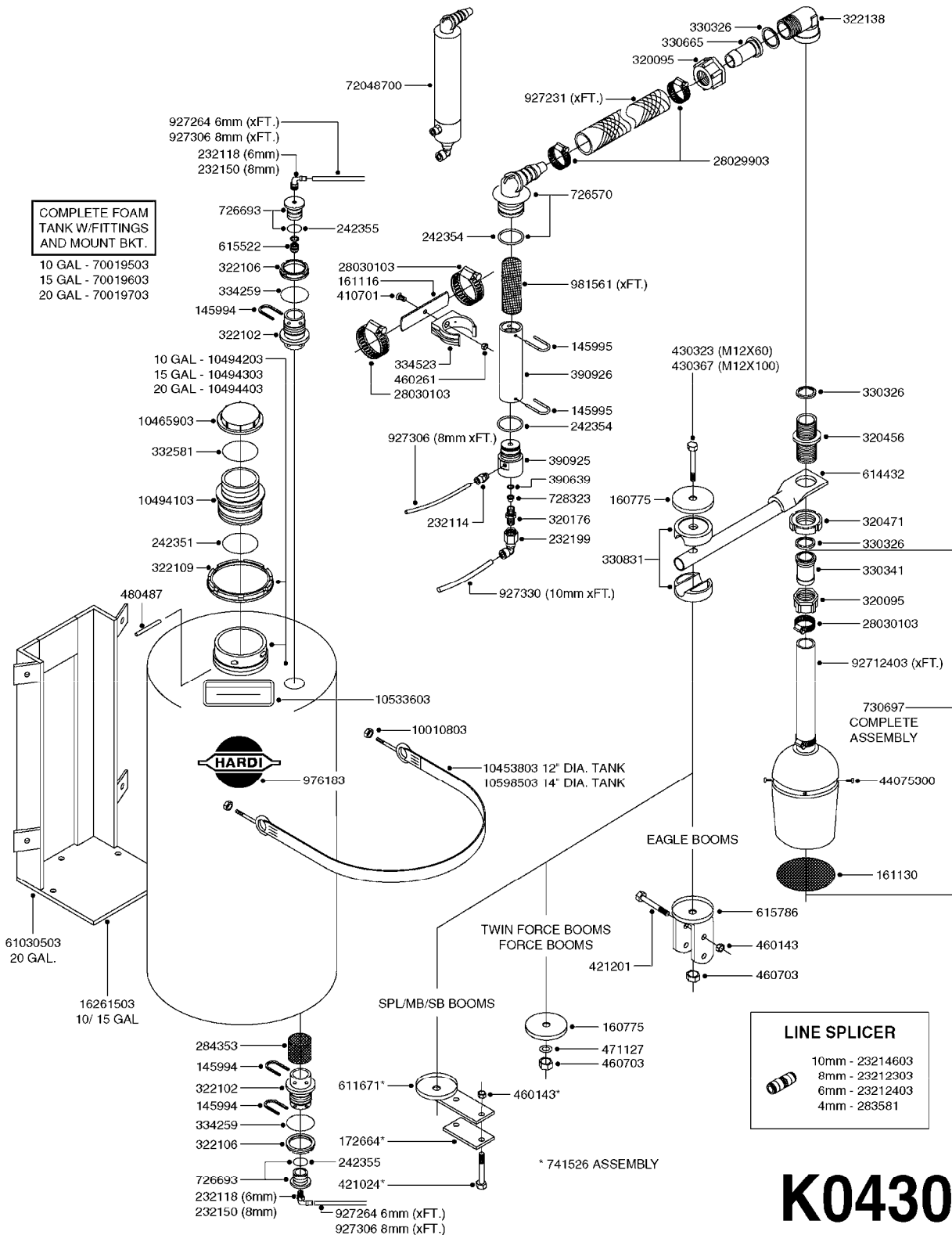
| parts-n° | order qty | description |
|----------|-----------|-----------------------------------|
| 147011 | 1 | HEX NIPPLE 3/8'X1/4'BSP BRASS |
| 161326 | 1 | MOUNT BKT. F. FOAM COMP.BOX 98 |
| 168847 | 1 | ENCLOSURE LOWER F.MARKER |
| 168848 | 1 | COVER F. FOAM MARKER |
| 232111 | 1 | QUICK COUPLER 6MM X 1/8 EXT. |
| 232112 | 1 | QUICK COUPLER 6MM 1/8 INT. |
| 232113 | 1 | QUICK COUPLER 6MM T-PIECE |
| 232114 | 1 | COUPLER 1/8" THREADX8MM HOSE |
| 232143 | 1 | REDUCER 1/4'INT-1/8'EXT |
| 232144 | 1 | QUICK COUPLER 10MM X 1/4 EXT |
| 232152 | 1 | QUICK COUPLER 8MMX1/8 EXT.LONG |
| 241371 | 1 | DIAPHRAGM F.NO-DRIP,VULC |
| 242242 | 1 | O-RING F.AIR HOSE FITTING |
| 242258 | 1 | TRIM 3X10 SELF ADHESIVE 0012" |
| 261562 | 1 | RUBBER DAMPER 2XM6X25 |
| 283697 | 1 | TIESTRAP 200MM |
| 320445 | 1 | FITT.DK HN 1/4"X3/8" BSP |
| 321462 | 1 | CAP F.NO-DRIP ASSY. |
| 322261 | 1 | HOUSING F.SAFETY VALVE 3/8" |
| 440650 | 1 | SCREW 3.5x13 STAINLESS |
| 460261 | 1 | NUT HEX M6X1.00 LOCK DIN985 A2 SS |
| 718911 | 1 | VALVE (SAFETY) F.MARKER |
| 729645 | 1 | NON-DRIP SPRING ASSY.GREEN 10 |
| 927264 | 1 | HOSE R X PE D6/D4 X 0012" |
| 927306 | 1 | HOSE R X PE D8/D6 X 0012"BLACK |
| 927330 | 1 | HOSE R X PE D10/D8 X 012"BLACK |
| 26004103 | 1 | FOAM MARKER CNTRL MOD CABL STD |
| 26008703 | 1 | FOAM MARKER CONTROL SCII |
| 26011103 | 1 | FOAMER POWER/CONTROL CABLE 39P |
| 26023400 | 1 | COMPRESSOR F.FOAM MARKER CM40 |
| 26023700 | 1 | SOLENOID VAL 12V 1/8' FLO '07 |
| 28025503 | 1 | PLUG F.DRILLED HOLE 1/2" |
| 28025603 | 1 | PLUG F.DRILLED HOLE 3/4" |
| 39122000 | 1 | DISTR.HOUSING F.FOAM MARKER'07 |
| 70062503 | 1 | FOAM MARKER COMPRESSOR,STD,39P |



COMPLETE FOAM TANK W/FITTINGS AND MOUNT BKT.

- 10 GAL - 70019503
- 15 GAL - 70019603
- 20 GAL - 70019703

- 10 GAL - 10494203
- 15 GAL - 10494303
- 20 GAL - 10494403



LINE SPICER

- 10mm - 23214603
- 8mm - 23212303
- 6mm - 23212403
- 4mm - 283581

K0430



FOAMMARKER TANK/DROPPER 2000
K0430-HIN, 05:12:19

Page 1
Date 12.08.2020 9:26

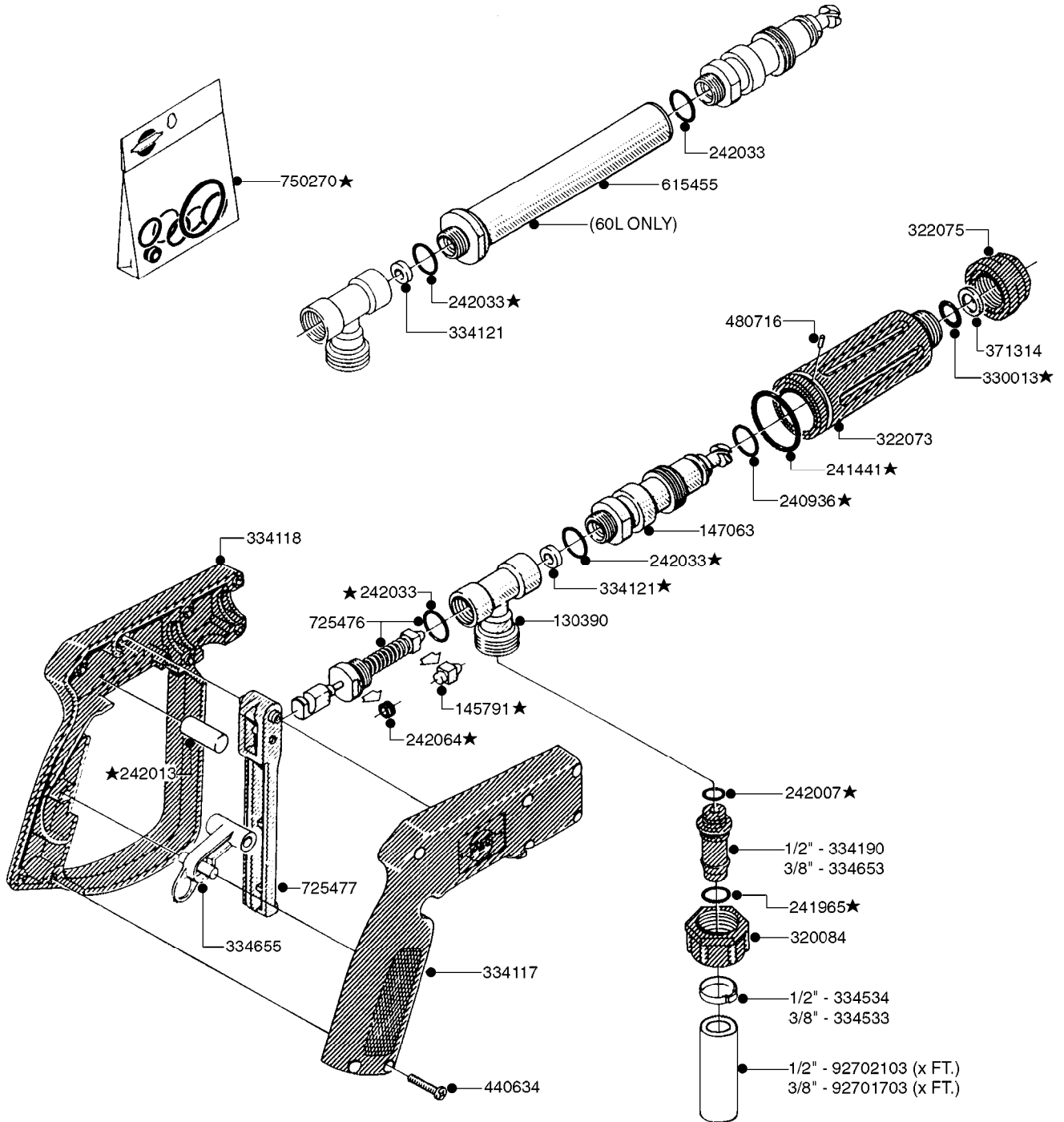
| parts-n° | order qty | description |
|----------|-----------|-----------------------------------|
| 145994 | 1 | FITT.DK S-40 FORK |
| 145995 | 1 | FITT.DK S-53 FORK |
| 160775 | 1 | WASHER F. FRICTION PLATE |
| 161116 | 1 | FLATBAR PLATE 3 X 25 X 110 |
| 161130 | 1 | FILTER SCREEN F/FOAM DROPPER |
| 172664 | 1 | FLATBAR BACKING PLATE |
| 232114 | 1 | COUPLER 1/8" THREADX8MM HOSE |
| 232118 | 1 | HOSE CONN. 90DEG 1/8'X 6MM PE |
| 232150 | 1 | HOSE CONN. 90DEG. 1/8'X8MM PE |
| 232199 | 1 | COUPLER 3/8' BSP-90/10MM HOSE |
| 242351 | 1 | O-RING D69.5X3.0 VITON F.S-93 |
| 242354 | 1 | O-RING D32.2X3.0 VITON |
| 242355 | 1 | O-RING D19.2X3.0 VITON F.S-40 |
| 283581 | 1 | HOSE CONNECTOR STR. F.4MM PE |
| 284353 | 1 | SPONGE FOR FOAM MARKER |
| 320095 | 1 | FITT.DK NUT 1" BSP |
| 320176 | 1 | FITT.DK HN 3/8"X1/2" BSP |
| 320456 | 1 | FITT.DK BULKHEAD 1"BSP DOUBLE |
| 320471 | 1 | FITT.DK NUT 1" BSP JAMB |
| 322102 | 1 | FITT.DK S-40 BULKHEAD |
| 322106 | 1 | FITT.DK S-40 BULKHEAD NUT |
| 322109 | 1 | FITT.DK S-93 BULKHEAD NUT |
| 322138 | 1 | FITT.DK ELB 1"M X 1"F BSP |
| 330326 | 1 | O-RING D30/D24X2 F.1"NUT |
| 330341 | 1 | FITT.DK HB 1" F. 1" NUT |
| 330665 | 1 | FITT.DK HB 3/4"F.1" NUT |
| 330831 | 1 | FRICTION PLATE |
| 332581 | 1 | GASKET F. 1-1/2" BSP CAPNUT. |
| 334259 | 1 | GASKET F. S-40 BULKHEAD |
| 334523 | 1 | PIPE HOLDER Ø51.5 |
| 390639 | 1 | O-RING F.NOZZLE FILTER |
| 390925 | 1 | FITTING F.FOAM MIX.CHAMB. STD |
| 390926 | 1 | TUBE,MIX CHAMB. FOAM MARK STD |
| 410701 | 1 | SCREW M6X16 GALV. |
| 421024 | 1 | BOLT HEX 8.8 DEL M8X60 |
| 421201 | 1 | BOLT HEX 8.8 DEL M8X70 |
| 430323 | 1 | BOLT HEX 8.8 DEL M12X60 |
| 430367 | 1 | BOLT HEX 8.8 DEL M12X100 DIN931 |
| 460143 | 1 | LOCK NUT M8 SST A2 DIN985 |
| 460261 | 1 | NUT HEX M6X1.00 LOCK DIN985 A2 SS |
| 460703 | 1 | NUT HEX M12X1.75 LOCK DIN985A2 SS |
| 471127 | 1 | WASHER, M12, Ø24/13X24X2.5 SS |
| 480487 | 1 | PIN M5X60 SLOTTED GALV |
| 611671 | 1 | BREAK AWAY HOLDER F-MARKER |
| 614432 | 1 | BREAK AWAY ARM F. FOAM MARKER |
| 615522 | 1 | CHECK VALVE F.FOAM MARKER |
| 615786 | 1 | MOUNT BKT. F.FOAM DROPPER 98 |
| 726570 | 1 | FITT.DK S-53 ELB.3/4" W.ORING |
| 726693 | 1 | FITT.DK S-40 PLUG 1/8BSP ORING |
| 728323 | 1 | VALVE NON-RETURN |
| 730697 | 1 | FOAM DROPPER COMP. BLACK '97 |
| 741526 | 1 | FOAM DROPPER MT. KIT MB-SPL |
| 927231 | 1 | HOSE R X PVCX3/4 CLR/BRD 0012" |
| 927264 | 1 | HOSE R X PE D6/D4 X 0012" |
| 927306 | 1 | HOSE R X PE D8/D6 X 0012"BLACK |
| 927330 | 1 | HOSE R X PE D10/D8 X 012"BLACK |
| 976183 | 1 | DECAL COMPANY D.18,2 X 29,6 |
| 981561 | 1 | SPONGE MAT. MIX.CHAMBER-x0012" |
| 10010803 | 1 | NUT HEX NC (NYLON LOCK) 5/16 |
| 10453803 | 1 | STRAP F.FOAMER TANK (755mm) |
| 10465903 | 1 | *LID F.FOAM MARKER, DRILLED |



FOAMMARKER TANK/DROPPER 2000
K0430-HIN, 05:12:19

Page 2
Date 12.08.2020 9:26

| parts-n° | order qty | description |
|----------|-----------|-------------------------------------|
| 10494103 | 1 | FILL WELL ASSY.FOAM MARK EPOXY |
| 10494203 | 1 | TANK ASSY. 10 GAL. D14' F/M |
| 10494303 | 1 | TANK ASSY. 15 GAL. D14' F/M |
| 10494403 | 1 | *TANK ASSY. 20 GAL. D14' F/M |
| 10533603 | 1 | DECAL CAUTION-OPEN SLOWLY ENG |
| 10598503 | 1 | STRAP F.FOAMER TANK (880mm) |
| 16261503 | 1 | BRKT, FOAM MRKR TANK, 10/15GAL, RED |
| 23212303 | 1 | HOSE CONNECTOR STR. F.8MM PE |
| 23212403 | 1 | HOSE CONNECTOR STR. F.6MM PE |
| 23214603 | 1 | HOSE CONNECTOR STR. F. 10MM PE |
| 28029903 | 1 | CLAMP HOSE GEAR P3/4"-S1" 6712 |
| 28030103 | 1 | CLAMP HOSE GEAR P5/4-S1.5"6724 |
| 44075300 | 1 | SCREW 3.5X9.5SS/X15 ISO 14585C |
| 61030503 | 1 | BRKT, FOAM MRKR TANK, 20GAL, RED |
| 70019503 | 1 | FOAM MARKER TANK KIT STD 10G |
| 70019603 | 1 | FOAM MARKER TANK KIT STD 15G |
| 70019703 | 1 | FOAM MARKER TANK KIT STD 20G |
| 72048700 | 1 | MIXING CHAMBER, FOAM MARK. STD |
| 92712403 | 1 | HOSE R X1" X300PSI WP X0012" |



COMPLETE ASSEMBLY:
843197 - 60L
843196 - 60S

COMPLETE ASSEMBLIES
WHOLEGOODS ITEMS

K0480

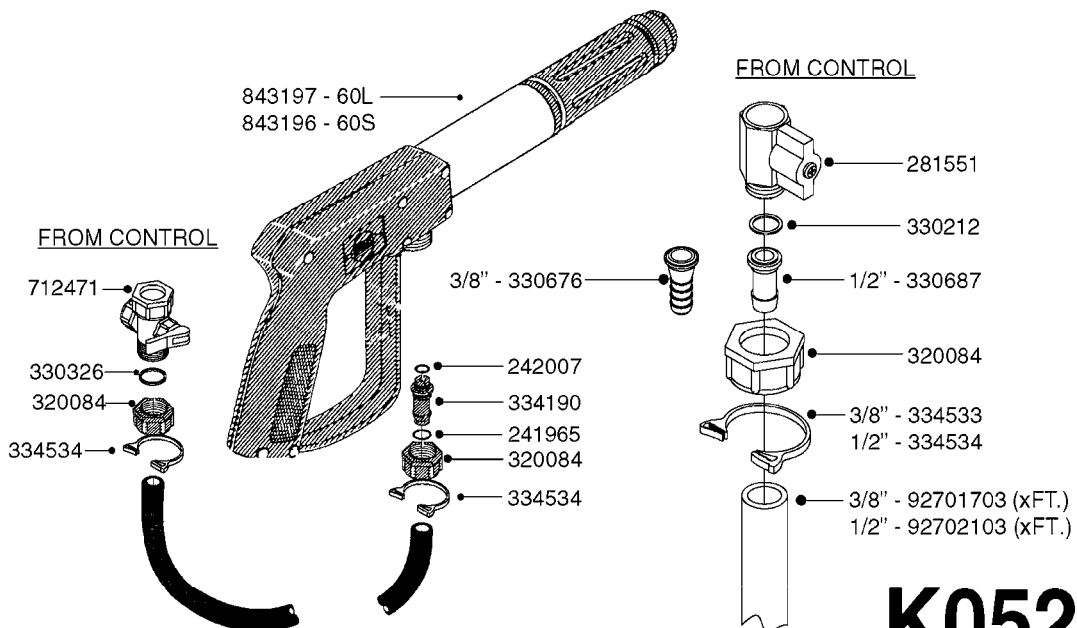
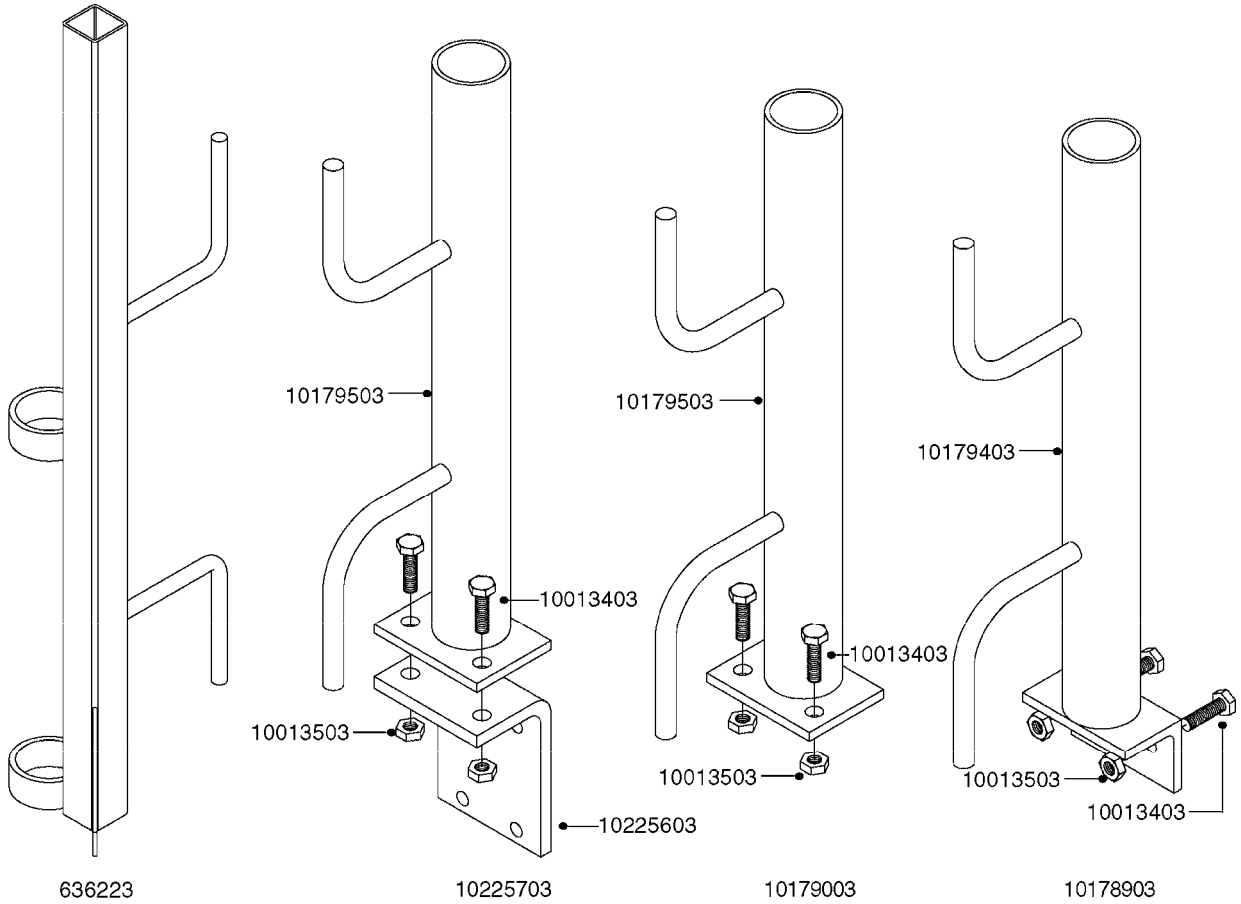


HANDGUN TYPE 60S/60L POST 95
K0480-HIN, 01:01:16

Page 1

Date 12.08.2020 9:26

| parts-n° | order qty | description |
|----------|-----------|--------------------------------|
| 130390 | 1 | TEE 3/8'X 1/2' BSP F.TYPE 60S |
| 145791 | 1 | CONE FOR ON/OFF |
| 147063 | 1 | SWIRL F.SPRAY GUN TYPE 60 |
| 240936 | 1 | O-RING D13.3X2.4 NITRIL |
| 241441 | 1 | O-RING D29.3X3 |
| 241965 | 1 | O-RING Ø12.1 X 1.6 NITRILE |
| 242007 | 1 | O-RING Ø9.1 X 1.6 NITRILE |
| 242013 | 1 | SPRING RUBBER F/TRIGGER |
| 242033 | 1 | O-RING Ø14.1 X 1.6 NITRILE |
| 242064 | 1 | SLEEVE RUBBER 3X8X4MM |
| 320084 | 1 | FITT.DK NUT 1/2" BSP |
| 322073 | 1 | HOUSING F.SWIRL TYPE 60S H.G. |
| 322075 | 1 | HOUSING F. NOZZLE |
| 330013 | 1 | O-RING 2.5 X 10 PUR |
| 334117 | 1 | HANDLE PIECE RIGHT F.60S/60L |
| 334118 | 1 | HANDLE PIECE LEFT F.60S/60L |
| 334121 | 1 | SEAT FOR ON-OFF TYPE |
| 334190 | 1 | FITT.DK HB 1/2' F. PISTOL 60S |
| 334533 | 1 | CLAMP HOSE PLASTIC 3/8" |
| 334534 | 1 | CLAMP HOSE PLASTIC 1/2" |
| 334653 | 1 | FITT.DK HB 3/8' F.HANDGUN |
| 334655 | 1 | TRIGGER SAFETY F.60S/60L GUN |
| 371314 | 1 | NOZZLE CERAMIC 1099-20 |
| 440634 | 1 | SCREW 5/8" |
| 480716 | 1 | PIN D3X6 STAINLESS |
| 615455 | 1 | TUBE F.LANCE TYPE 60L |
| 725476 | 1 | SPINDLE |
| 725477 | 1 | TRIGGER |
| 750270 | 1 | GASKET KIT F.SPRAY GUN |
| 843196 | 1 | SPRAY GUN KIT TYPE 60 SHORT |
| 843197 | 1 | HANDGUN KIT TYPE 60 LONG |
| 92701703 | 1 | HOSE R X3/8" X300PSI WP X0012" |
| 92702103 | 1 | HOSE R X1/2" X300PSI WP X0012" |



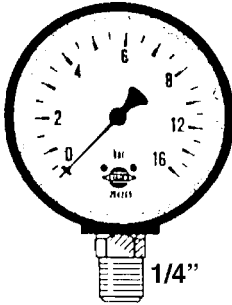
K0520



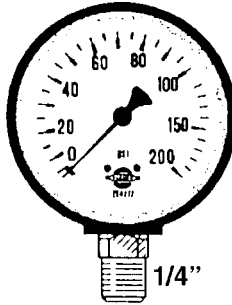
HOSE WRAPS
K0520-HIN, 05:12:19

Page 1
Date 12.08.2020 9:26

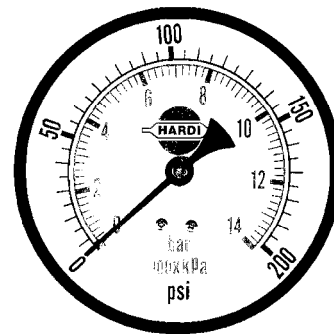
| parts-n° | order qty | description |
|----------|-----------|--------------------------------|
| 241965 | 1 | O-RING Ø12.1 X 1.6 NITRILE |
| 242007 | 1 | O-RING Ø9.1 X 1.6 NITRILE |
| 281551 | 1 | BALL VALVE 1/2" |
| 320084 | 1 | FITT.DK NUT 1/2" BSP |
| 330212 | 1 | O-RING D19/D14X2.4 F.1/2"NUT |
| 330326 | 1 | O-RING D30/D24X2 F.1"NUT |
| 330676 | 1 | FITT.DK HB 3/8" F. 1/2" NUT |
| 330687 | 1 | FITT.DK HB 1/2" F. 1/2" NUT |
| 334190 | 1 | FITT.DK HB 1/2' F. PISTOL 60S |
| 334533 | 1 | CLAMP HOSE PLASTIC 3/8" |
| 334534 | 1 | CLAMP HOSE PLASTIC 1/2" |
| 636223 | 1 | POST 12 VOLT TR30 |
| 712471 | 1 | AGITATION VALVE ASSY. ON/OFF |
| 843196 | 1 | SPRAY GUN KIT TYPE 60 SHORT |
| 843197 | 1 | HANDGUN KIT TYPE 60 LONG |
| 10013403 | 1 | BOLT HEX 3/8-16X1 1/4 HCS Z5 |
| 10013503 | 1 | NUT HEX NC 3/8" |
| 10178903 | 1 | WRAP HOSE SIDE MOUNT PLATE |
| 10179003 | 1 | WRAP HOSE BOTTOM PLATE MOUNT |
| 10179403 | 1 | WRAP WELDMENT FOR HI101789 |
| 10179503 | 1 | WRAP WELDMENT FOR HI101790 |
| 10225603 | 1 | BKT.FOR HOSE WRAP MOUNT NL NK |
| 10225703 | 1 | WRAP HOSE BDL.BOTTOM PLATE |
| 92701703 | 1 | HOSE R X3/8" X300PSI WP X0012" |
| 92702103 | 1 | HOSE R X1/2" X300PSI WP X0012" |



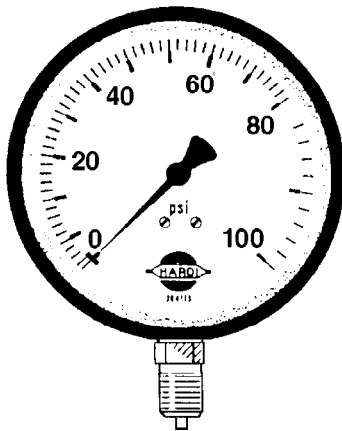
284269
0-8-16 bar
BRASS
2.5" GAUGE



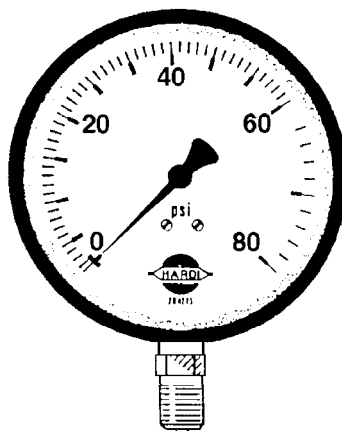
28026203
0-100-200 psi
STAINLESS
2.5" GAUGE



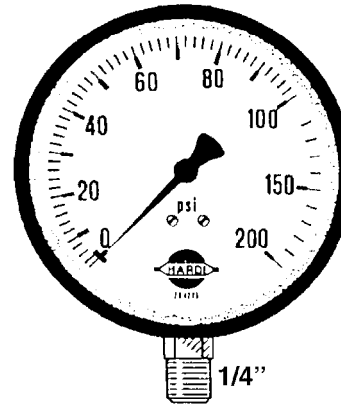
28014403
200 psi (14 bar)
STAINLESS
4" GAUGE



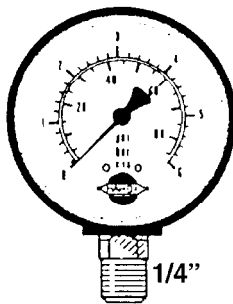
844086
100 bar (1400 psi)
BRASS
2.5" GAUGE



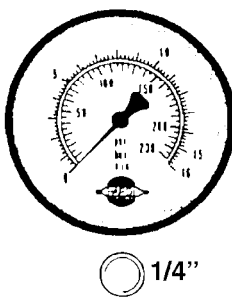
844088
80 bar (1200 psi)
STAINLESS
1.5" GAUGE



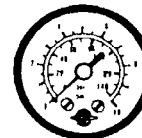
28026103
0-100-200 psi
STAINLESS
4" GAUGE



280637
6 bar (85 psi)
BRASS
2.5" GAUGE



283754
16 bar (230 psi)
BRASS
2.5" GAUGE



844082
10 bar (140 psi)
BRASS
1.5" GAUGE

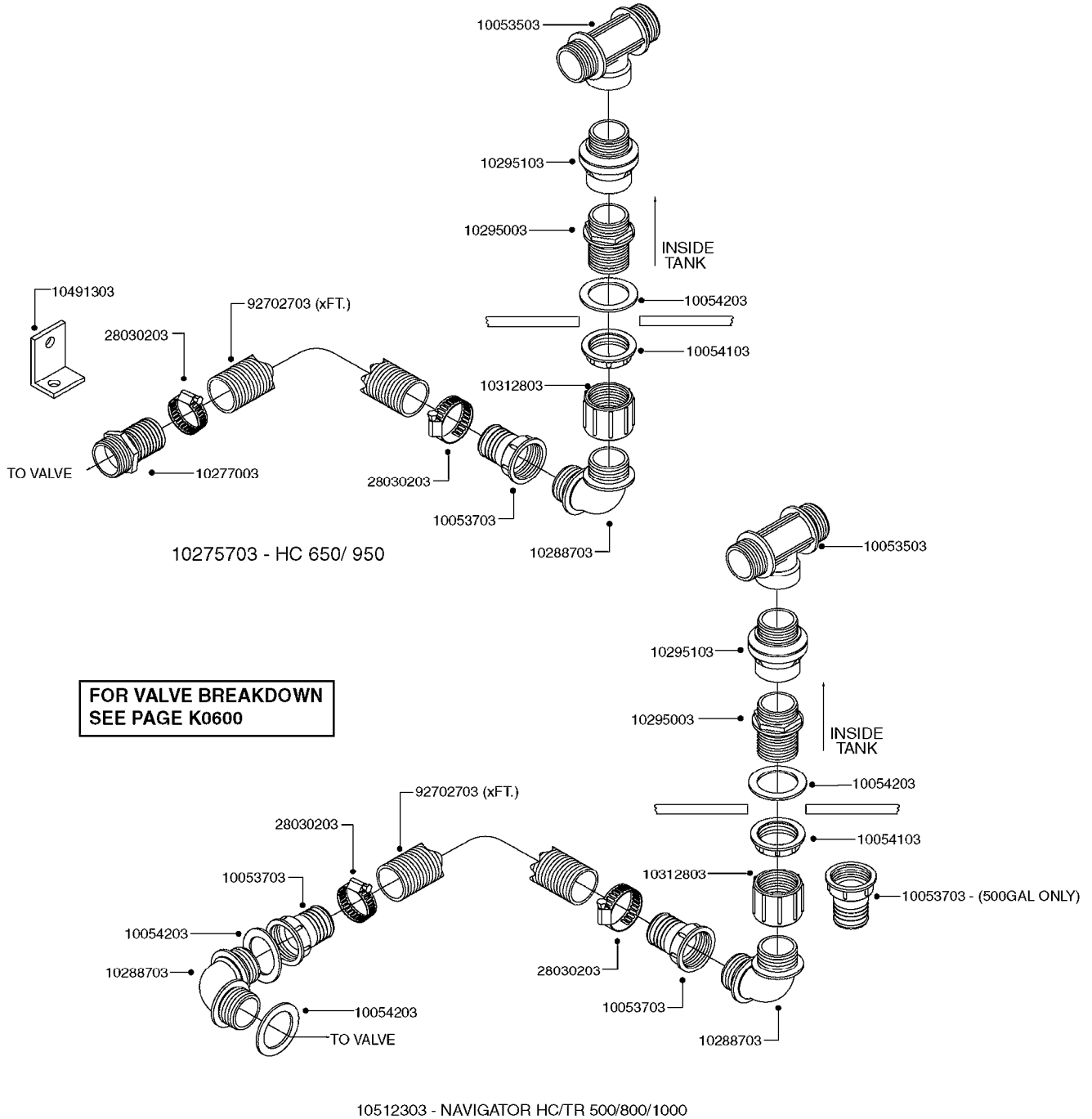
K0560



PRESSURE GAUGES
K0560-HIN, 01:01:16

Page 1
Date 12.08.2020 9:26

| parts-n° | order qty | description |
|----------|-----------|--------------------------------------|
| 280637 | 1 | GAUGE 2.5"BR BOTT.PSI85 BAR6 |
| 283754 | 1 | GAUGE 2.5'BR REAR PSI200 BAR16 |
| 284269 | 1 | PRESSURE GAUGE 0-8-16 BAR Ø2,5" 1/4" |
| 844082 | 1 | GAUGE 1.5'BR REAR PSI140BAR10 |
| 844086 | 1 | GAUGE 2.5'BR BOTT.PSI1000BAR80 |
| 844088 | 1 | GAUGE 2.5'BR BOTT PSI1200BAR80 |
| 28014403 | 1 | GAUGE 4"BR REAR PSI200 |
| 28026103 | 1 | GAUGE 200PSI/BR, 4", 1/4"BSP-BTM |
| 28026203 | 1 | GAUGE 200PSI/BR, 2.5"1/4BSP-BTM |



K0580

**COMPLETE ASSEMBLIES
WHOLEGOODS ITEMS**

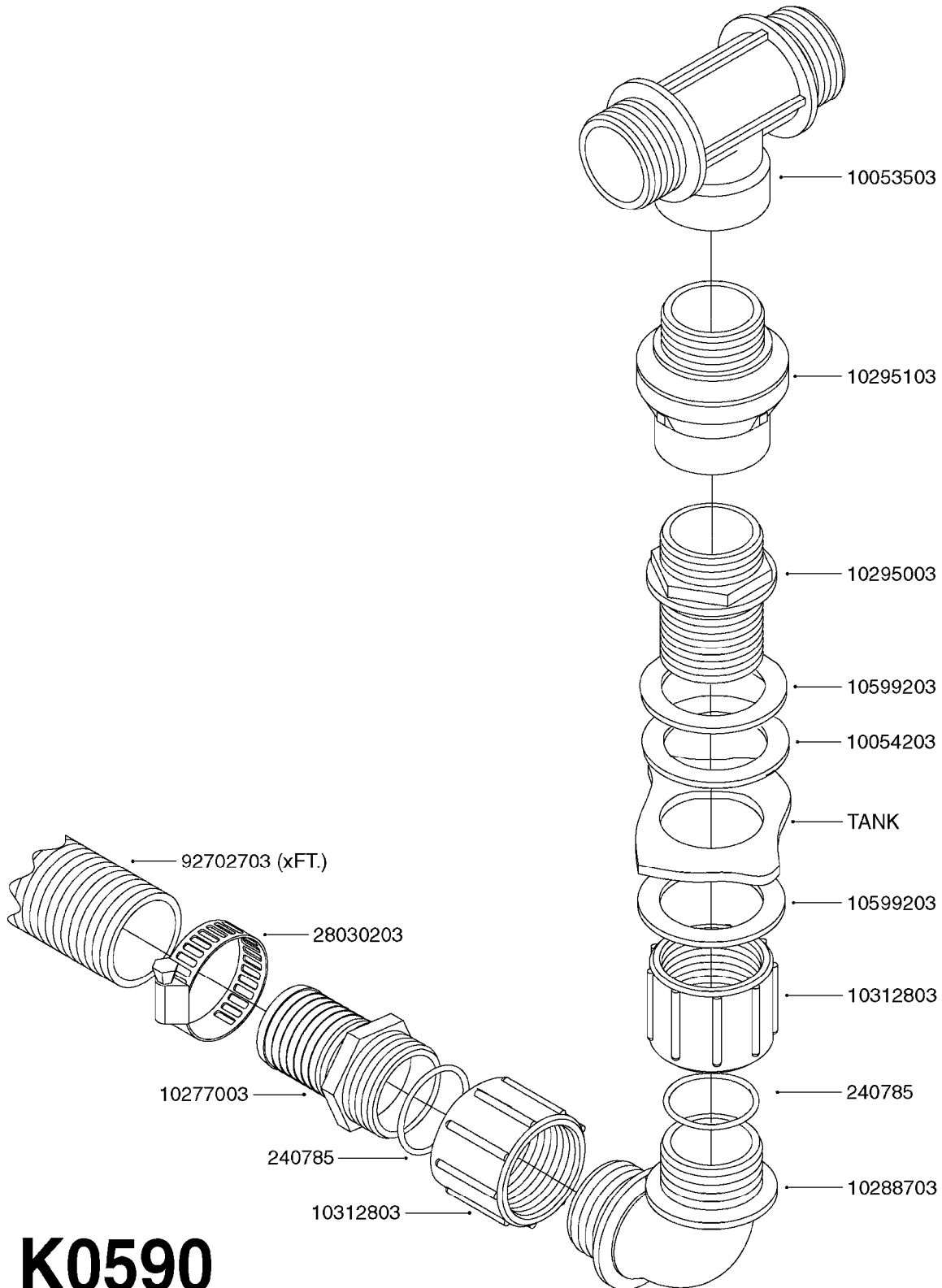


QUICKFILL-PLMBNG SYS-TRLR SPYR
K0580-HIN, 01:01:16

Page 1

Date 12.08.2020 9:26

| parts-n° | order qty | description |
|----------|-----------|---------------------------------|
| 10053503 | 1 | FITT.PO.TEE 2"MX2"FX2"M BSP |
| 10053703 | 1 | FITT.PO.HB STR. 2"BSP #4411 |
| 10054103 | 1 | FITT.PO.NUT 2" BSP JAMB MCPHEE |
| 10054203 | 1 | GASKET F. 2" FITTINGS RUBBER |
| 10275703 | 1 | *QUICK FILL KIT 650/950M |
| 10277003 | 1 | FITT.PO.HB 2.00X2.00 MCPHEE |
| 10288703 | 1 | FITT.PO.EL 2MX2M 90 DEG MCPHEE |
| 10295003 | 1 | FITT.PO.HN 2' 250071 |
| 10295103 | 1 | FOOT VALVE 2" |
| 10312803 | 1 | FITT.PO.BU 2' X 2' |
| 10491303 | 1 | ANGLE FOR HC950 QUICK FILL |
| 10512303 | 1 | QUICK FILL KIT NAV. (DON'T ORD) |
| 28030203 | 1 | CLAMP HOSE T-BOLT S2" 235-67 |
| 92702703 | 1 | HOSE PVC SUCT GRAY 2" |



K0590

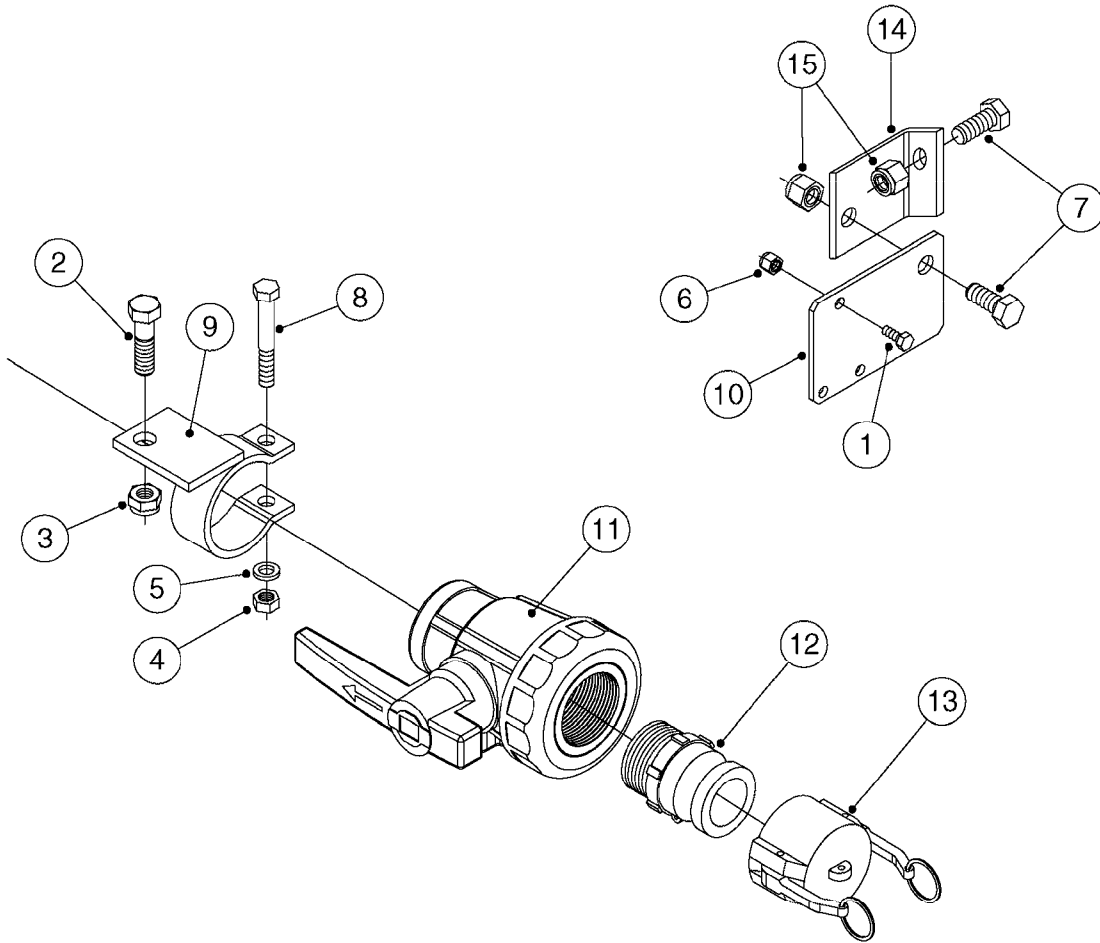


QUICKFILL-UPDATE 97-TRAILER
K0590-HIN, 01:01:16

Page 1

Date 12.08.2020 9:26

| parts-n° | order qty | description |
|----------|-----------|--------------------------------|
| 240785 | 1 | O-RING D46,99X5,33 NITRIL |
| 10053503 | 1 | FITT.PO.TEE 2"MX2"FX2"M BSP |
| 10054203 | 1 | GASKET F. 2" FITTINGS RUBBER |
| 10277003 | 1 | FITT.PO.HB 2.00X2.00 MCPHEE |
| 10288703 | 1 | FITT.PO.EL 2MX2M 90 DEG MCPHEE |
| 10295003 | 1 | FITT.PO.HN 2' 250071 |
| 10295103 | 1 | FOOT VALVE 2" |
| 10312803 | 1 | FITT.PO.BU 2' X 2' |
| 10599203 | 1 | WASHER-390664 MACHINE ID2-3/8' |
| 28030203 | 1 | CLAMP HOSE T-BOLT S2" 235-67 |
| 92702703 | 1 | HOSE PVC SUCT GRAY 2" |



**PARTS FOR VALVES
NO LONGER AVAILABLE**

K0600

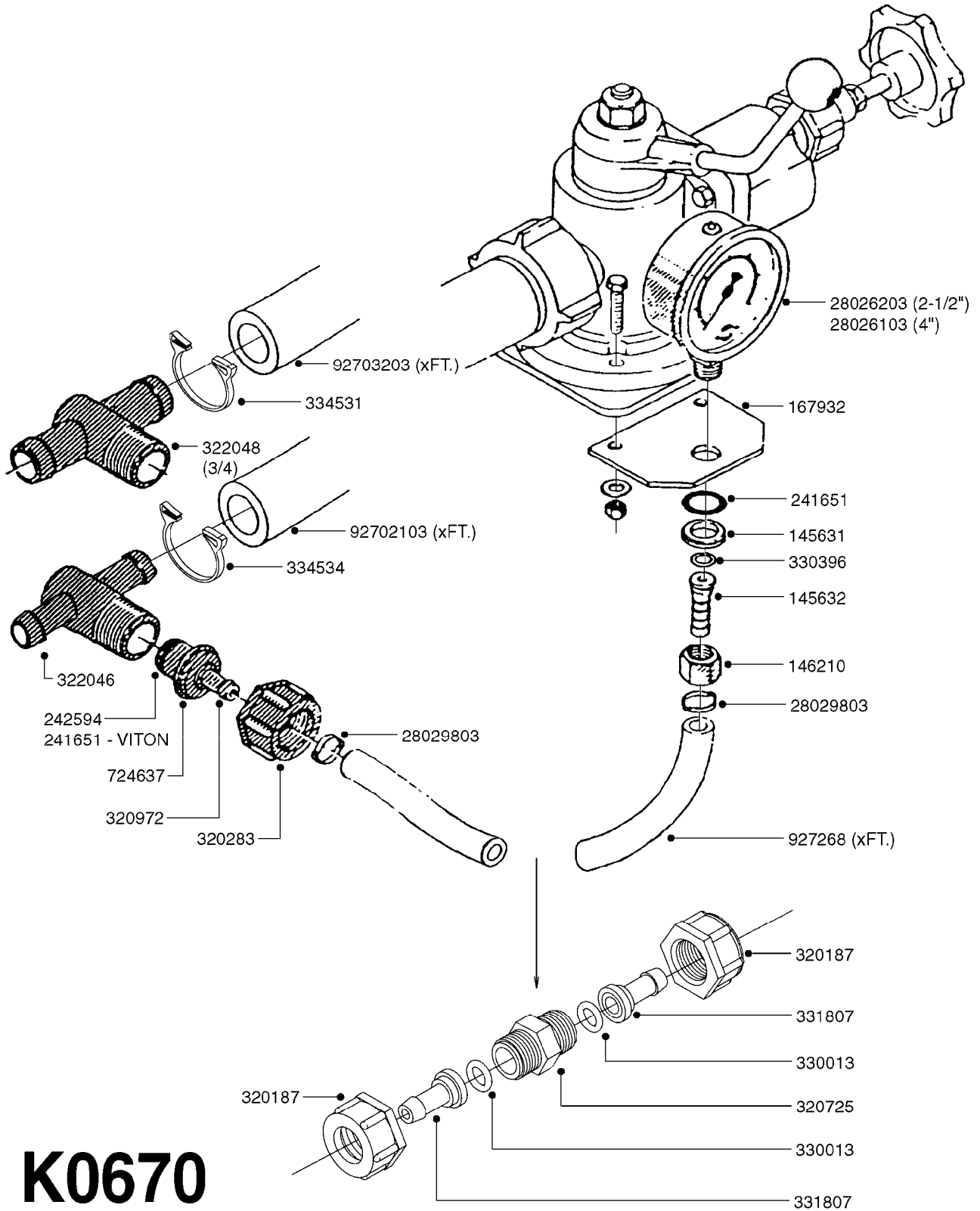


QUICKFILL-VALVES-2"
K0600-HIN, 01:01:16

Page 1

Date 12.08.2020 9:26

| Pos. | parts-n° | order qty | description |
|------|----------|-----------|-------------------------------|
| 1 | 420582 | 1 | BOLT HEX 8.8 DEL M8X20 FT A2 |
| 2 | 430765 | 1 | BOLT HEX 8.8 DEL M16X55 |
| 3 | 460585 | 1 | LOCKING NUT M16 DIN985 A2 SS |
| 4 | 10002503 | 1 | NUT HEX NC 1/2" |
| 5 | 10004603 | 1 | WASHER LOCK 1/2" |
| 6 | 10013503 | 1 | NUT HEX NC 3/8" |
| 7 | 10056803 | 1 | BOLT HEX 5/8 NC GR.5 01.50" |
| 8 | 10101103 | 1 | BOLT HEX 1/2 NC GR.2 03.50" |
| 9 | 10297903 | 1 | BKT.QUICK FILL TR/HC |
| 10 | 10520803 | 1 | QUICK FILL BRACKET |
| 11 | 10520903 | 1 | BALL VALVE 2" |
| 12 | 10530903 | 1 | QUICK COUPLER MALE 2" |
| 13 | 10531003 | 1 | CAP F.MALE QUICK COUPLER 2" |
| 14 | 10534203 | 1 | BRACKET F.QUICKFILL HC650/950 |
| 15 | 46001003 | 1 | NUT HEX 5/8"-11 NYLOCK |



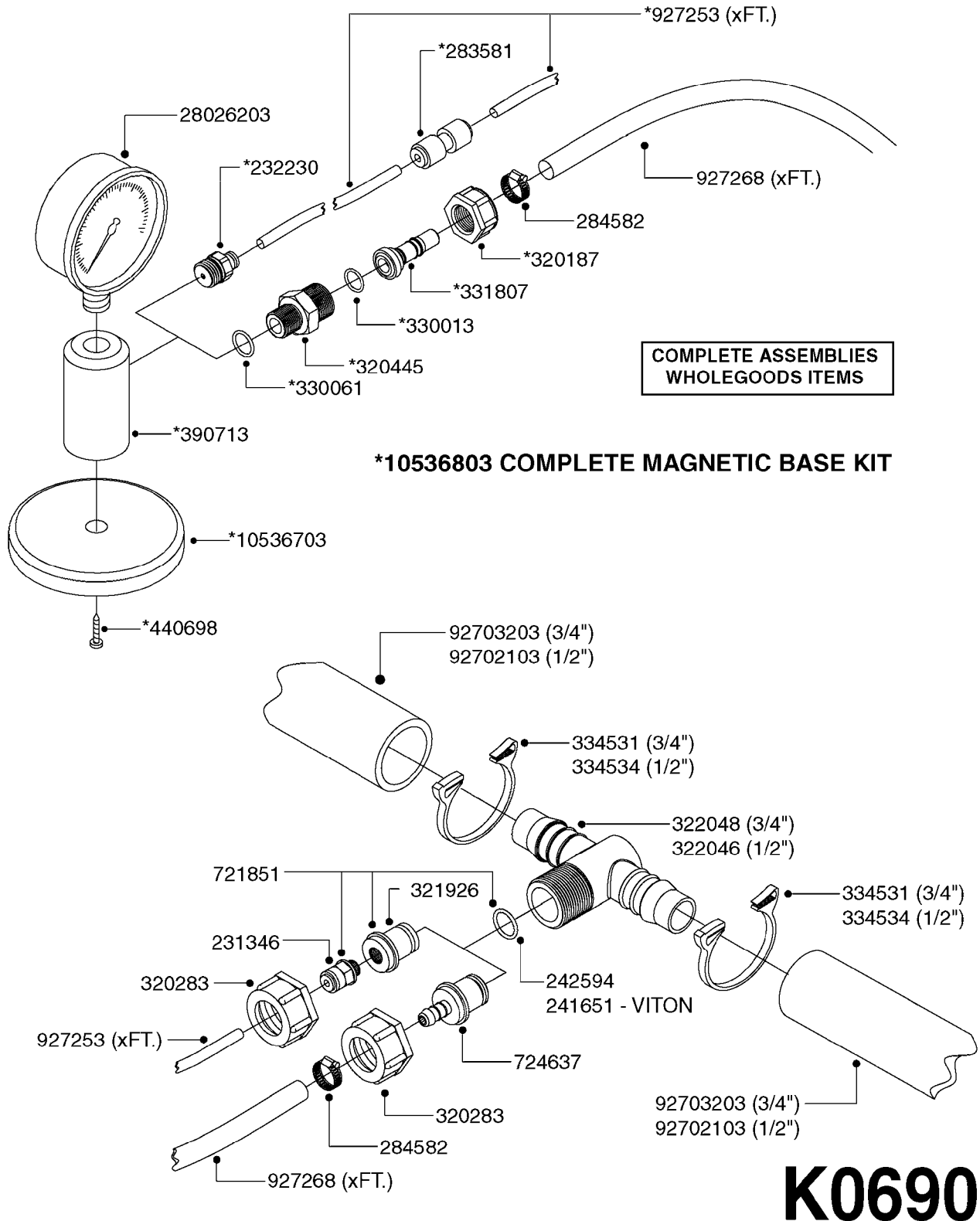
K0670



REMOTE GAUGE-BK 180 & EC
K0670-HIN, 01:01:16

Page 1
Date 12.08.2020 9:26

| parts-n° | order qty | description |
|----------|-----------|--------------------------------|
| 145631 | 1 | WASHER D21.5/D13.5X2.5 BRASS |
| 145632 | 1 | FITT.DK HB 1/4' BRASS F.GUAGE |
| 146210 | 1 | NUT 1/4'BSP BRASS |
| 167932 | 1 | MTG. BRACKET (PRESSURE GAUGE) |
| 241651 | 1 | O-RING D14.0X3.0 NITRIL |
| 242594 | 1 | O-RING D14 X 1.78 SCH.70-EPDM |
| 320187 | 1 | FITT.DK CAP 3/8" BSP BLACK |
| 320283 | 1 | FITT.DK NUT 3/4"BSP |
| 320725 | 1 | FITT.DK NIPPLE 3/8"-3/8" BSP |
| 320972 | 1 | FITT.DK HB 5/16'- 1/4' BSP |
| 322046 | 1 | FITT.DK TEE 1/2X1/2HB X3/4'BSP |
| 322048 | 1 | FITT.DK TEE 3/4X3/4HB X3/4'BSP |
| 330013 | 1 | O-RING 2.5 X 10 PUR |
| 330396 | 1 | O-RING D11.2/D6.6X3.2 |
| 331807 | 1 | FITT.DK HB 5/16" F.3/8" NUT |
| 334531 | 1 | CLAMP HOSE PLASTIC 3/4" |
| 334534 | 1 | CLAMP HOSE PLASTIC 1/2" |
| 724637 | 1 | FITT.DK HB 5/16' F. 3/4" COMP. |
| 927268 | 1 | HOSE BLUE PVC X 1/4 X 0012" |
| 28026103 | 1 | GAUGE 200PSI/BR,4",1/4"BSP-BTM |
| 28026203 | 1 | GAUGE 200PSI/BR,2.5"1/4BSP-BTM |
| 28029803 | 1 | CLAMP HOSE GEAR P1/2" 6708 |
| 92702103 | 1 | HOSE R X1/2" X300PSI WP X0012" |
| 92703203 | 1 | HOSE R X3/4" X300PSI WP X0012" |





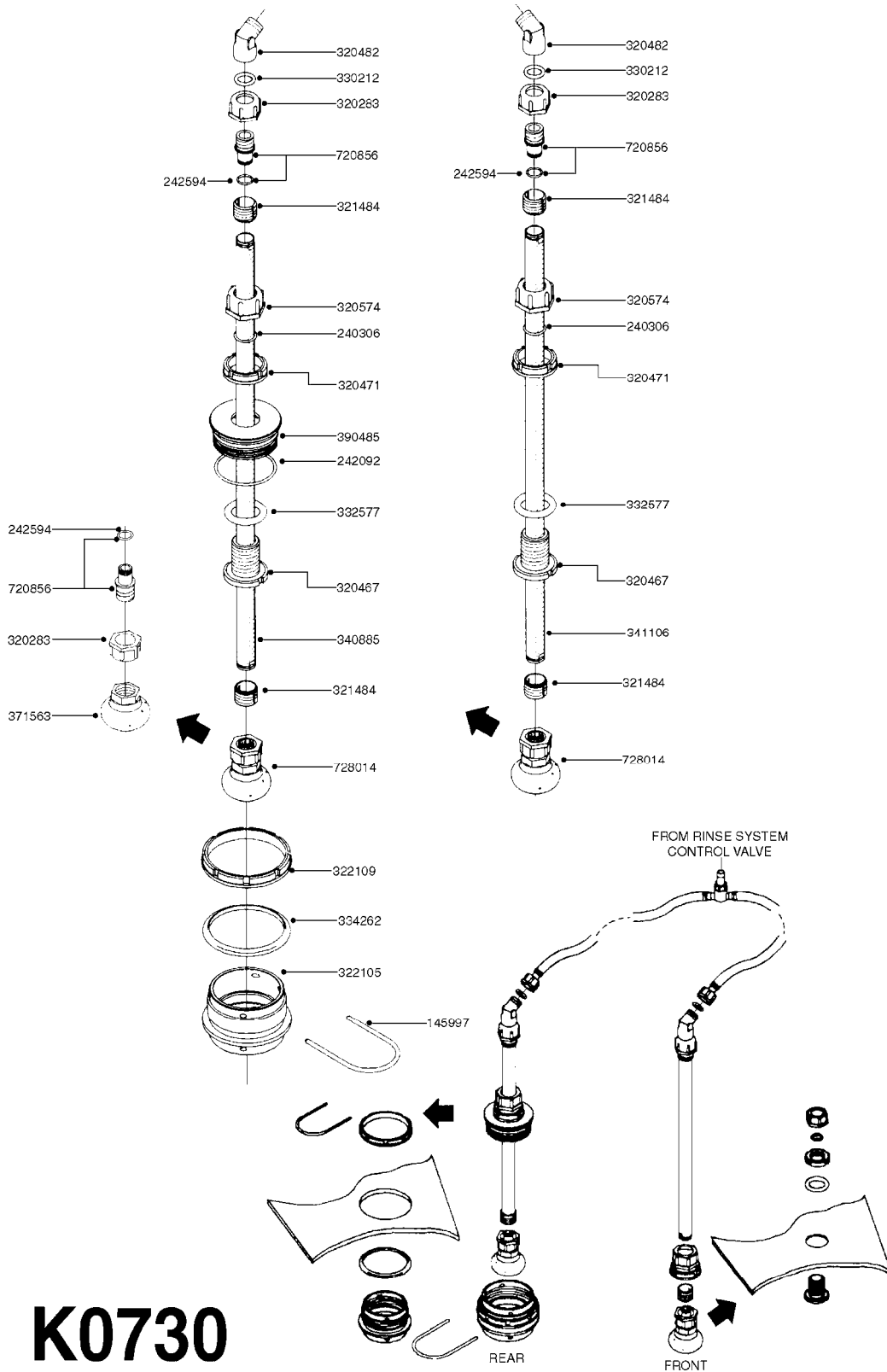
REMOTE GAUGE-MAGNETIC BASE KIT
K0690-HIN, 01:01:16

Page 1
Date 12.08.2020 9:26

| parts-n° | order qty | description |
|----------|-----------|--------------------------------|
| 231346 | 1 | QUICK COUPLER 1/8"BSP X 4 MM |
| 232230 | 1 | QUICK COUPLER 1/4"BSP X 4 MM |
| 241651 | 1 | O-RING D14.0X3.0 NITRIL |
| 242594 | 1 | O-RING D14 X 1.78 SCH.70-EPDM |
| 283581 | 1 | HOSE CONNECTOR STR. F.4MM PE |
| 284582 | 1 | CLAMP HOSE GEAR - 5/16" |
| 320187 | 1 | FITT.DK CAP 3/8" BSP BLACK |
| 320283 | 1 | FITT.DK NUT 3/4"BSP |
| 320445 | 1 | FITT.DK HN 1/4"X3/8" BSP |
| 321926 | 1 | FITTING BSP3/4"-1/8" |
| 322046 | 1 | FITT.DK TEE 1/2X1/2HB X3/4'BSP |
| 322048 | 1 | FITT.DK TEE 3/4X3/4HB X3/4'BSP |
| 330013 | 1 | O-RING 2.5 X 10 PUR |
| 330061 | 1 | O-RING D16/D11X2,5 |
| 331807 | 1 | FITT.DK HB 5/16" F.3/8" NUT |
| 334531 | 1 | CLAMP HOSE PLASTIC 3/4" |
| 334534 | 1 | CLAMP HOSE PLASTIC 1/2" |
| 390713 | 1 | GAUGE ADAPTOR 1/4" BSP |
| 440698 | 1 | SCREW F.PLASTIC 6X18 SS HEXHD |
| 721851 | 1 | SCREW PLUG W/QUICK FIT |
| 724637 | 1 | FITT.DK HB 5/16' F. 3/4" COMP. |
| 927253 | 1 | RED AIR HOSE, Ø4/2 1810 E |
| 927268 | 1 | HOSE BLUE PVC X 1/4 X 0012" |
| 10536703 | 1 | MAGNETIC BASE D3,2'/90LB |
| 10536803 | 1 | MAGNETIC BASE KIT F.GAUGE |
| 28026203 | 1 | GAUGE 200PSI/BR,2.5"1/4BSP-BTM |
| 92702103 | 1 | HOSE R X1/2" X300PSI WP X0012" |
| 92703203 | 1 | HOSE R X3/4" X300PSI WP X0012" |



RINSE SYSTEM NOZZLES
K0730-HIN, 01:01:16



K0730



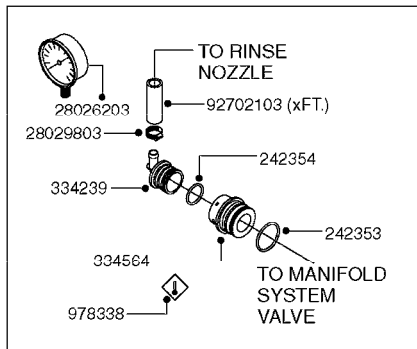
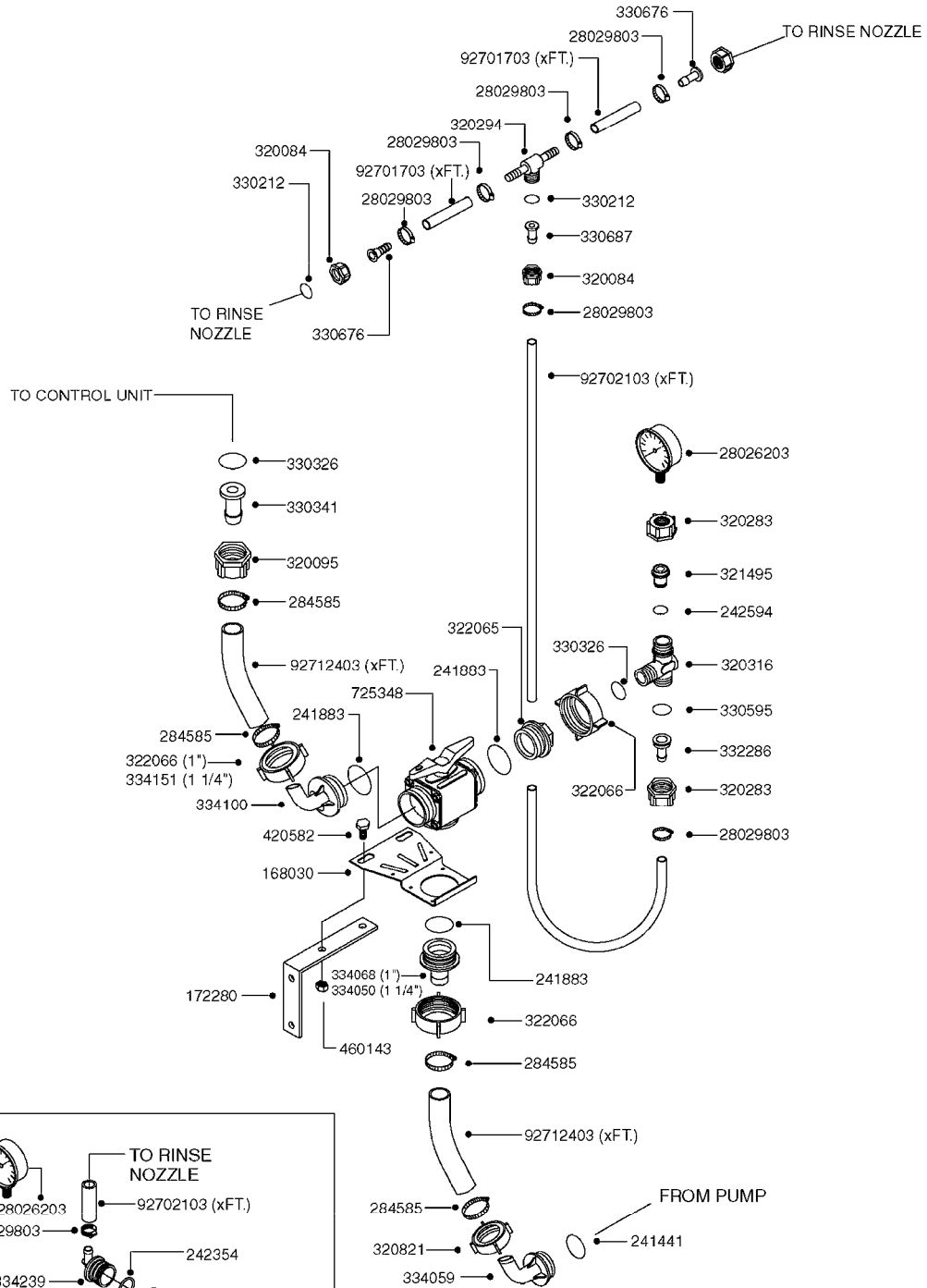
RINSE SYSTEM NOZZLES
K0730-HIN, 01:01:16

Page 1
Date 12.08.2020 9:26

| parts-n° | order qty | description |
|----------|-----------|--------------------------------|
| 145997 | 1 | FITT.DK S-93 FORK |
| 240306 | 1 | O-RING D29/D21X4 |
| 242092 | 1 | O-RING D69.5X3 |
| 242594 | 1 | O-RING D14 X 1.78 SCH.70-EPDM |
| 320283 | 1 | FITT.DK NUT 3/4"BSP |
| 320467 | 1 | FITT.DK BULKHEAD 1"BSP SINGLE |
| 320471 | 1 | FITT.DK NUT 1" BSP JAMB |
| 320482 | 1 | FITT.DK ELB. 1/2" BSP 60 DEG. |
| 320574 | 1 | FITT.DK NUT 1" BSP SPECIAL |
| 321484 | 1 | BUSHING THREADED F.NOZZ.TUBE |
| 322105 | 1 | FITT.DK S-93 BULKHEAD DOUBLE |
| 322109 | 1 | FITT.DK S-93 BULKHEAD NUT |
| 330212 | 1 | O-RING D19/D14X2.4 F.1/2"NUT |
| 332577 | 1 | O-RING D38/D30X4 F.1" PUR. |
| 334262 | 1 | GASKET F.S-93 BULKHEAD |
| 340885 | 1 | TUBE F. RINSE NOZZLE L=600 |
| 341106 | 1 | TUBE F.RINSE NOZZLE L=220 |
| 371563 | 1 | NOZZLE FOR TANK RINSE |
| 390485 | 1 | FITT.DK S-93 PLUG W D34 HOLE |
| 720856 | 1 | FITT.DK 1/2'BSP ASSY.F.3/4'NUT |
| 728014 | 1 | RINSE NOZZLE MOUNTED |



RINSE SYSTEM PLUMBING
K0750-HIN, 01:01:16



RINSE SYSTEM- MANIFOLD SYSTEM

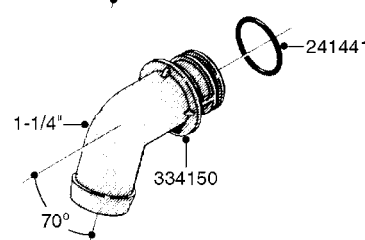
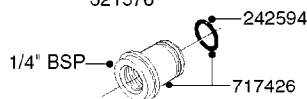
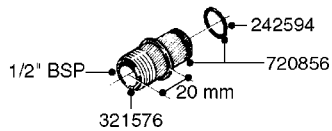
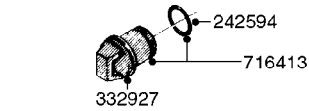
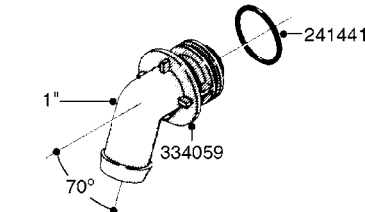
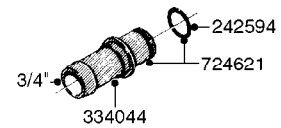
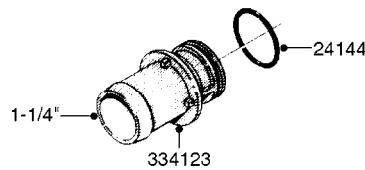
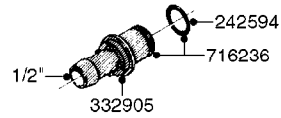
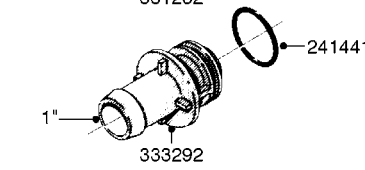
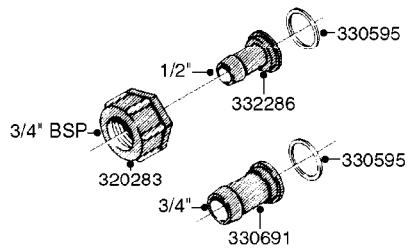
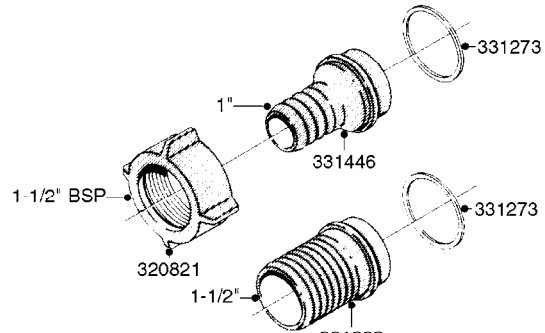
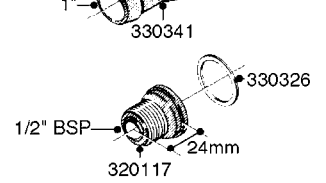
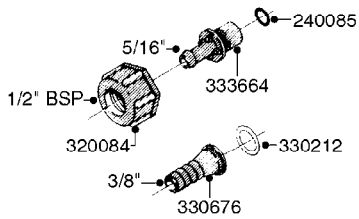
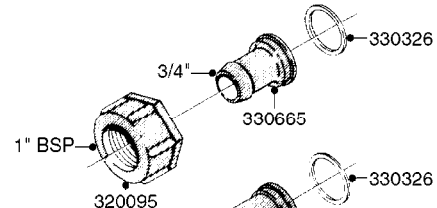
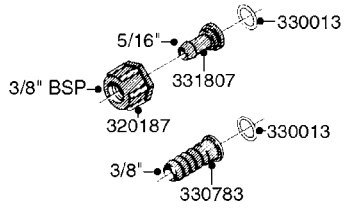
K0750



RINSE SYSTEM PLUMBING
K0750-HIN, 01:01:16

Page 1
Date 12.08.2020 9:26

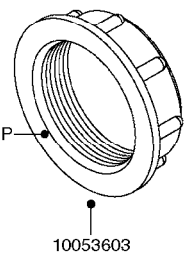
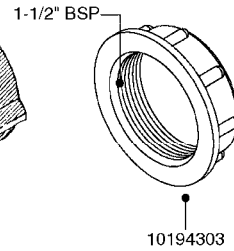
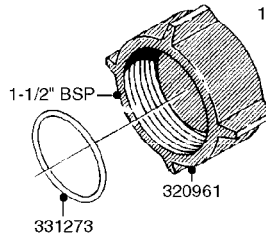
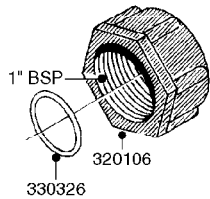
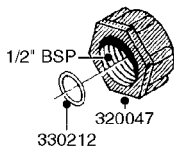
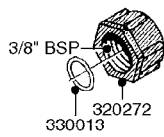
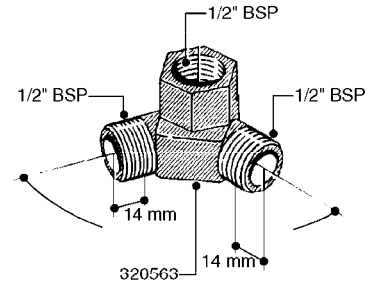
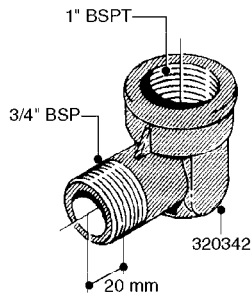
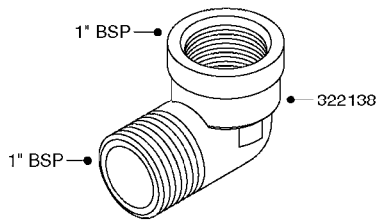
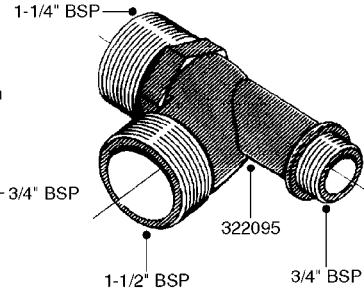
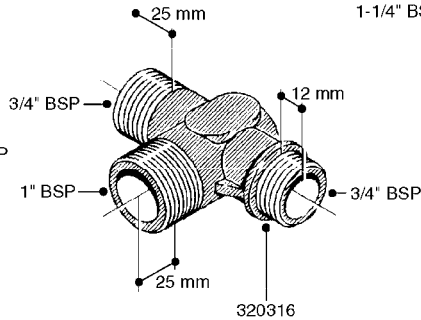
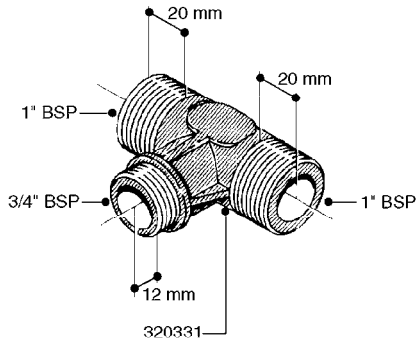
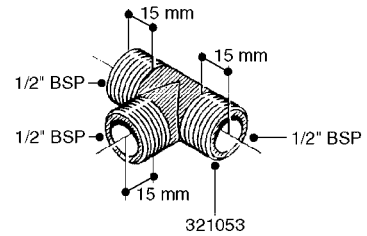
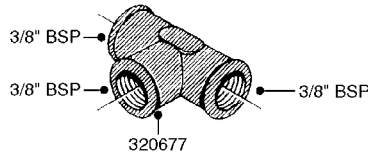
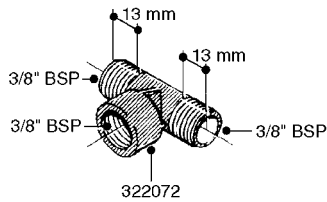
| parts-n° | order qty | description |
|----------|-----------|--------------------------------|
| 168030 | 1 | BRACKET F/3 WAY VALVE |
| 172280 | 1 | FLATBAR 30X5 L=270 4XD9 90DEG. |
| 241441 | 1 | O-RING D29.3X3 |
| 241883 | 1 | O-RING 3 X 39.2 NITRIL |
| 242353 | 1 | O-RING 3 X 44.2 VITON |
| 242354 | 1 | O-RING D32.2X3.0 VITON |
| 242594 | 1 | O-RING D14 X 1.78 SCH.70-EPDM |
| 284585 | 1 | CLAMP HOSE GEAR 1" MINI 020 |
| 320084 | 1 | FITT.DK NUT 1/2" BSP |
| 320095 | 1 | FITT.DK NUT 1" BSP |
| 320283 | 1 | FITT.DK NUT 3/4"BSP |
| 320294 | 1 | FITT.DK TEE 3/8X3/8HB X1/2"BSP |
| 320316 | 1 | FITT.DK TEE 3/4" X3/4" X1"BSP |
| 320821 | 1 | FITT.DK NUT 1-1/2" BSP |
| 321495 | 1 | FITT.DK REDUC 1/4'BSP F.3/4'NT |
| 322065 | 1 | FITT.DK UNION 1' BSP/S-56 |
| 322066 | 1 | FITT.DK S-56 NUT |
| 330212 | 1 | O-RING D19/D14X2.4 F.1/2"NUT |
| 330326 | 1 | O-RING D30/D24X2 F.1"NUT |
| 330341 | 1 | FITT.DK HB 1" F. 1" NUT |
| 330595 | 1 | O-RING D24.6/D20X2.1 -3/4" |
| 330676 | 1 | FITT.DK HB 3/8" F. 1/2" NUT |
| 330687 | 1 | FITT.DK HB 1/2" F. 1/2" NUT |
| 332286 | 1 | FITT.DK HB 1/2" F. 3/4" NUT |
| 334050 | 1 | FITT.DK S-61 STR.1-1/4" |
| 334059 | 1 | FITT.DK EL 1" 110 DEG.F.1-1/2" |
| 334068 | 1 | FITT.DK S-61 STR.1" |
| 334100 | 1 | FITT.DK S-61 ELB.1" 110 DEG. |
| 334151 | 1 | FITT.DK S-61 ELB.1-1/4"110 DEG |
| 334239 | 1 | FITT.DK S-53 ELB.1/2" |
| 334564 | 1 | FITT.DK S-67 TO S-53 ADAPTER |
| 420582 | 1 | BOLT HEX 8.8 DEL M8X20 FT A2 |
| 460143 | 1 | LOCK NUT M8 SST A2 DIN985 |
| 725348 | 1 | VALVE 3 WAY BLUE |
| 978338 | 1 | DECAL MANIFOLD SYS.RINSE NOZ |
| 28026203 | 1 | GAUGE 200PSI/BR,2.5"1/4BSP-BTM |
| 28029803 | 1 | CLAMP HOSE GEAR P1/2" 6708 |
| 92701703 | 1 | HOSE R X3/8" X300PSI WP X0012" |
| 92702103 | 1 | HOSE R X1/2" X300PSI WP X0012" |
| 92712403 | 1 | HOSE R X1" X300PSI WP X0012" |



L0010



| parts-n° | order qty | description |
|----------|-----------|---------------------------------|
| 240085 | 1 | O-RING D13,1/8,3X02,4 NITRIL |
| 241441 | 1 | O-RING D29.3X3 |
| 242594 | 1 | O-RING D14 X 1.78 SCH.70-EPDM |
| 320084 | 1 | FITT.DK NUT 1/2" BSP |
| 320095 | 1 | FITT.DK NUT 1" BSP |
| 320117 | 1 | FITT.DK CONN.1/2"BSP F. 1" CAP |
| 320187 | 1 | FITT.DK CAP 3/8" BSP BLACK |
| 320283 | 1 | FITT.DK NUT 3/4"BSP |
| 320821 | 1 | FITT.DK NUT 1-1/2" BSP |
| 321495 | 1 | FITT.DK REDUC 1/4'BSP F.3/4'NT |
| 321576 | 1 | FITT.DK CONN 1/2"BSP F.3/4"NUT |
| 330013 | 1 | O-RING 2.5 X 10 PUR |
| 330212 | 1 | O-RING D19/D14X2.4 F.1/2"NUT |
| 330326 | 1 | O-RING D30/D24X2 F.1"NUT |
| 330341 | 1 | FITT.DK HB 1" F. 1" NUT |
| 330595 | 1 | O-RING D24.6/D20X2.1 -3/4" |
| 330665 | 1 | FITT.DK HB 3/4"F.1" NUT |
| 330676 | 1 | FITT.DK HB 3/8" F. 1/2" NUT |
| 330687 | 1 | FITT.DK HB 1/2" F. 1/2" NUT |
| 330691 | 1 | FITT.DK HB 3/4'F.3/4' NUT |
| 330783 | 1 | FITT.DK HB 3/8"F.3/8" NUT |
| 331262 | 1 | FITT.DK HB 1-1/2" F. 1-1/2"NUT |
| 331273 | 1 | O-RING D44/D38X2 F.1-1/2" |
| 331446 | 1 | FITT.DK HB 1" F.1-1/2" NUT |
| 331807 | 1 | FITT.DK HB 5/16" F.3/8" NUT |
| 332286 | 1 | FITT.DK HB 1/2" F. 3/4" NUT |
| 332905 | 1 | FITT.DK HB 1/2" F. 3/4" CAP |
| 332927 | 1 | FITT.DK PLUG F. NOZZLE TUBE |
| 333292 | 1 | FITT.DK HB 1"O'RING F.1-1/2" |
| 333664 | 1 | FITT.DK HB 5/16' F. 1/2' NUT |
| 334044 | 1 | FITT.DK HB 3/4' F. 3/4' CAP |
| 334059 | 1 | FITT.DK EL 1" 110 DEG.F.1-1/2" |
| 334123 | 1 | FITT.DK HB 1-1/4"O-RNG F.1-1/2" |
| 334150 | 1 | FITT.DK HB 1-1/4" 110 F.1-1/2" |
| 390542 | 1 | PLUG WASHER FOR 3/4'CAP NUT |
| 716236 | 1 | FITT.DK HB 1/2" ASSY. F. 3/4" |
| 716413 | 1 | FITT.DK PLUG ASSY. F.NOZ TUBE |
| 717426 | 1 | FITT.DK REDUC 1/4"BSP F.3/4"N |
| 720856 | 1 | FITT.DK 1/2'BSP ASSY.F.3/4'NUT |
| 724621 | 1 | FITT.DK HB 3/4"ASSY F.3/4" NUT |



L0020



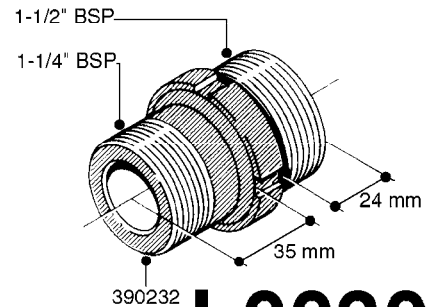
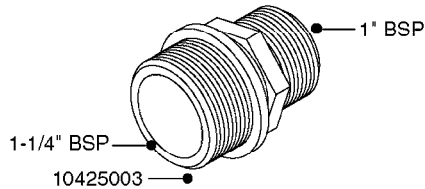
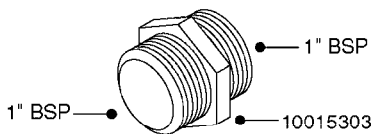
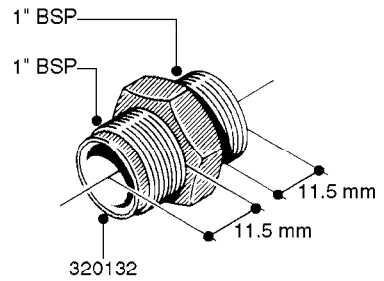
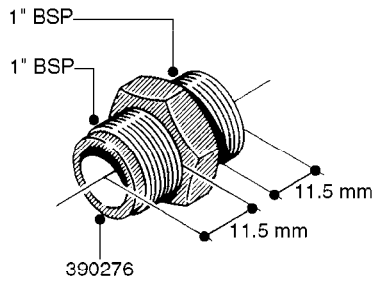
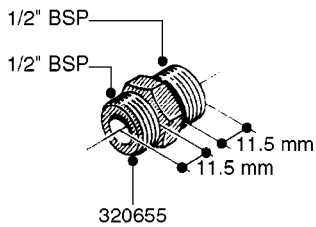
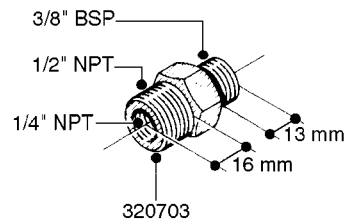
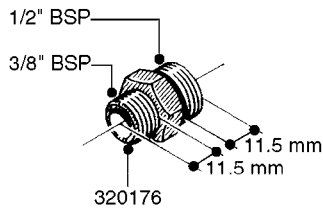
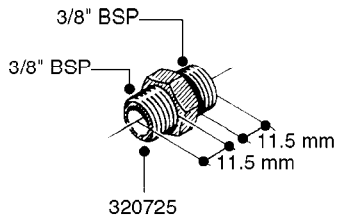
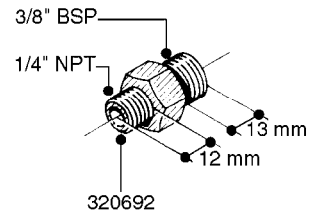
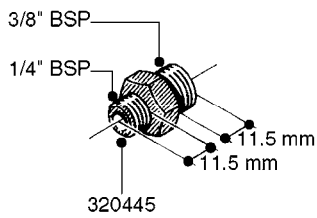
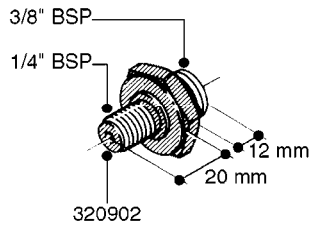
FITTINGS-T-PIECES, CAPS & ELBOWS
L0020-HIN, 01:01:16

Page 1
Date 12.08.2020 9:26

| parts-n° | order qty | description |
|----------|-----------|------------------------------------|
| 10053603 | 1 | FITT. CAPNUT 2"BSP 5601 |
| 10194303 | 1 | CAP BLANK 1 1/2 MCPHEE 210060 |
| 320047 | 1 | FITT.DK CAPNUT 1/2" BSP |
| 320106 | 1 | FITT.DK CAPNUT 1" BSP |
| 320272 | 1 | FITT.DK CAPNUT 3/8" BSP |
| 320316 | 1 | FITT.DK TEE 3/4" X3/4" X1"BSP |
| 320331 | 1 | FITT.DK TEE 1" - 1" - 3/4" BSP |
| 320342 | 1 | FITT.DK EL 3/4"M X 1"F BSP |
| 320563 | 1 | FITT.DK 3 WAY 1/2" 110 DEG. |
| 320677 | 1 | NO LONGER AVAILABLE |
| 320961 | 1 | FITT.DK CAPNUT 1-1/2" BSP |
| 321053 | 1 | FITT.DK TEE 1/2 X1/2 X1/2" BSP |
| 322072 | 1 | FITT.DK TEE 3/8'X3/8'X3/8' BSP |
| 322095 | 1 | FITT.DK TEE 1-1/2 X1-1/4 X3/4" BSP |
| 322138 | 1 | FITT.DK ELB 1"M X 1"F BSP |
| 330013 | 1 | O-RING 2.5 X 10 PUR |
| 330212 | 1 | O-RING D19/D14X2.4 F.1/2"NUT |
| 330326 | 1 | O-RING D30/D24X2 F.1"NUT |
| 331273 | 1 | O-RING D44/D38X2 F.1-1/2" |



FITTINGS - HEXAGON NIPPLES
L0030-HIN, 01:01:16



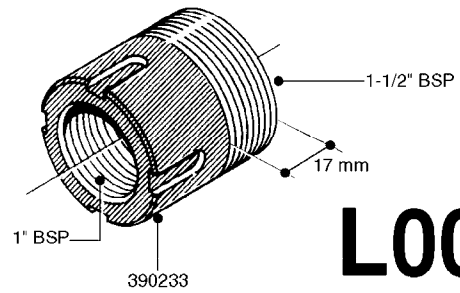
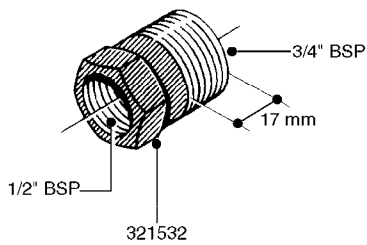
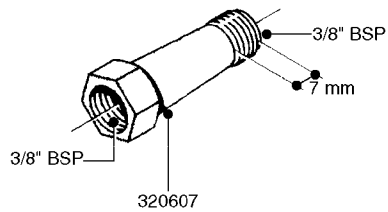
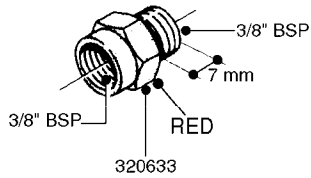
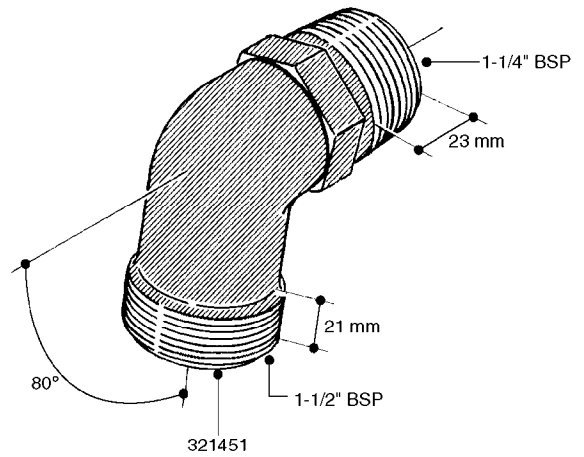
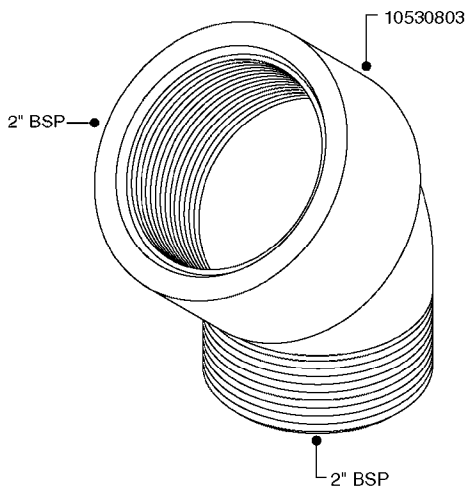
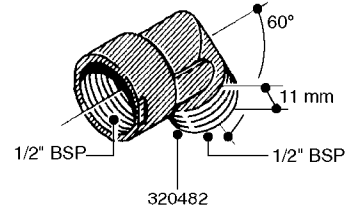
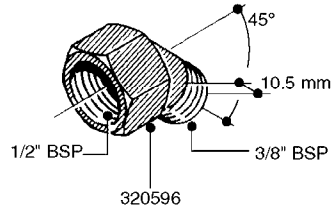
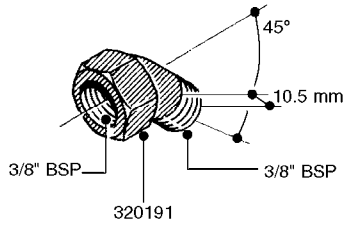
L0030



FITTINGS - HEXAGON NIPPLES
L0030-HIN, 01:01:16

Page 1
Date 12.08.2020 9:26

| parts-n° | order qty | description |
|----------|-----------|--------------------------------|
| 10015303 | 1 | FITT.PO.HN 1.00X1.00 M1000 |
| 10425003 | 1 | FITT.PO.HN 1.25X1.00 MCPHEE |
| 320132 | 1 | FITT.DK HN 1" BSP |
| 320176 | 1 | FITT.DK HN 3/8"X1/2" BSP |
| 320445 | 1 | FITT.DK HN 1/4"X3/8" BSP |
| 320655 | 1 | FITT.DK HN 1/2"-1/2" BSP |
| 320692 | 1 | FITT.DK HN 3/8'BSPX1/4'NPT |
| 320703 | 1 | FITT.DK HN 3/8BSP X1/2 &1/4NPT |
| 320725 | 1 | FITT.DK NIPPLE 3/8"-3/8" BSP |
| 320902 | 1 | FITT.DK HN 3/8'X 1/4' BSP |
| 390232 | 1 | FITT.DK HN 1-1/2' X 1-1/4' BSP |
| 390276 | 1 | FITT.DK HN 1'BSP |



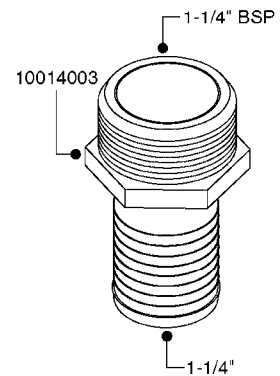
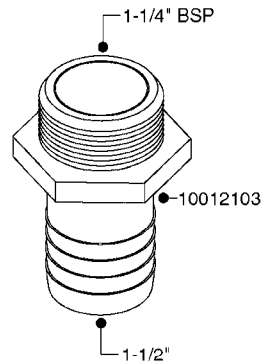
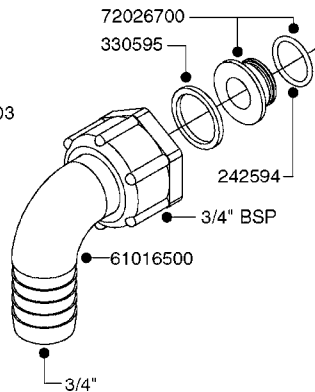
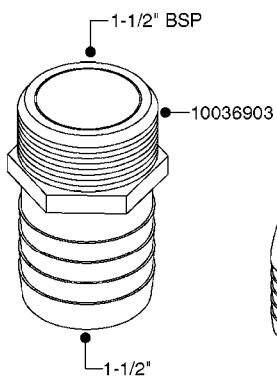
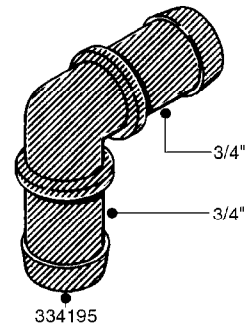
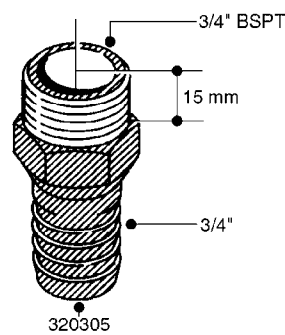
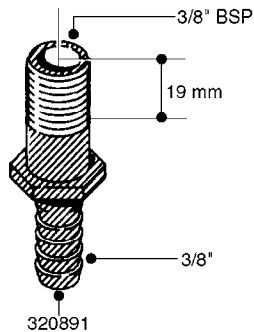
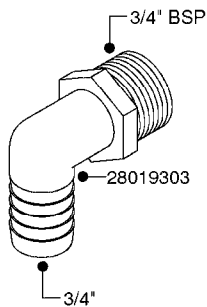
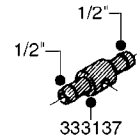
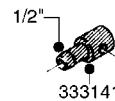
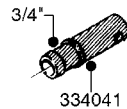
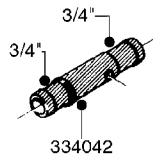
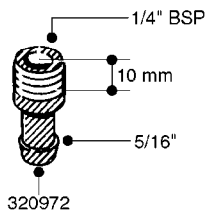
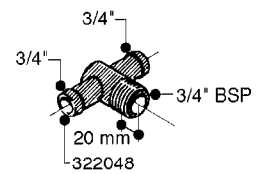
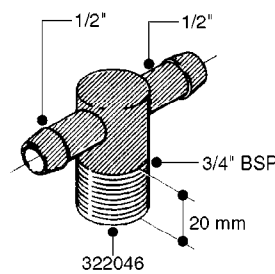
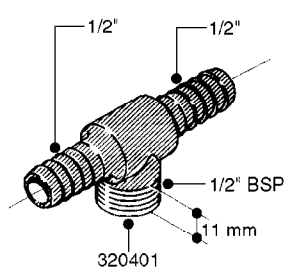
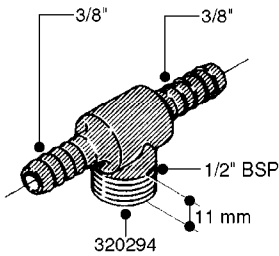
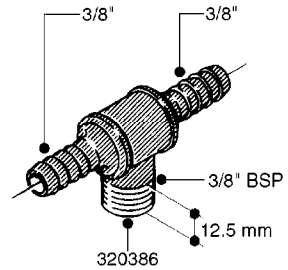
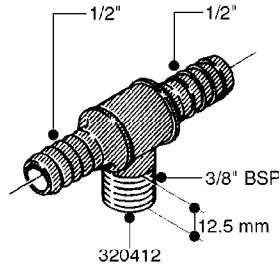
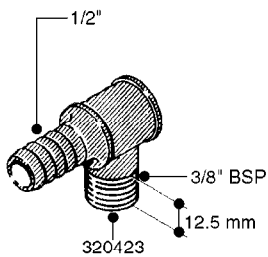
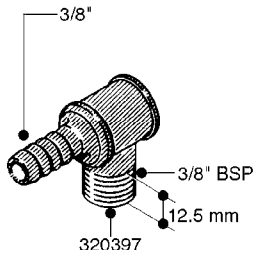
L0040



FITTINGS - NIPPLES & ELBOWS
L0040-HIN, 01:01:16

Page 1
Date 12.08.2020 9:26

| parts-n° | order qty | description |
|----------|-----------|--------------------------------|
| 10530803 | 1 | FITT.PO.SE 2.00X2.00 45 DEG. |
| 320191 | 1 | FITT.DK ELB 3/8' BSP 45 DEGREE |
| 320482 | 1 | FITT.DK ELB. 1/2" BSP 60 DEG. |
| 320596 | 1 | FITT.DK ELB 3/8'-1/2'BSP 45DEG |
| 320607 | 1 | FITT.DK HN 3/8M X 3/8F BSP LNG |
| 320633 | 1 | FITT.DK HN 3/8"M X 3/8"F BSP |
| 321451 | 1 | FITT.DK ELB.1-1/2 X1-1/4 80DEG |
| 321532 | 1 | FITT.DK REDUC 3/4' X 1/2' BSP |
| 390233 | 1 | FITT.DK REDUC 1-1/2" X 1" BSP |



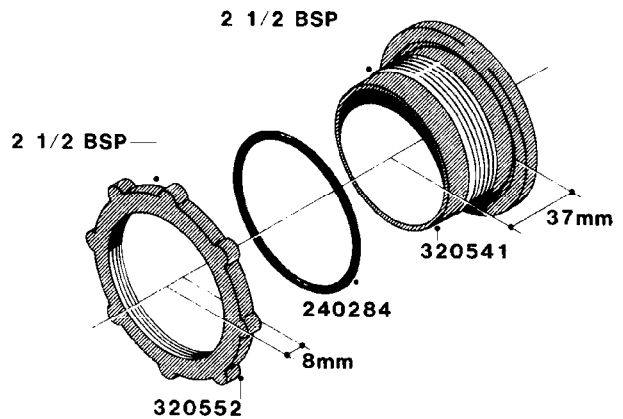
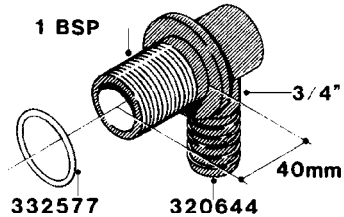
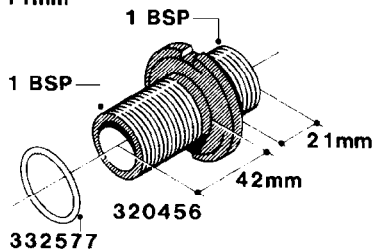
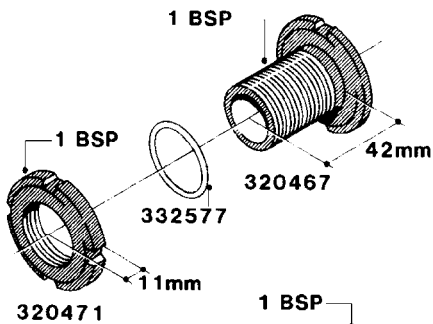
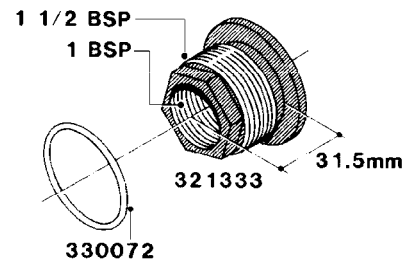
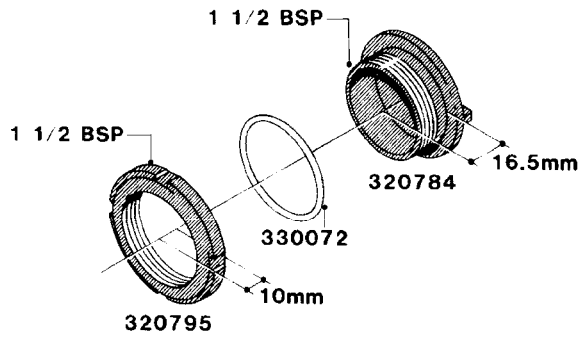
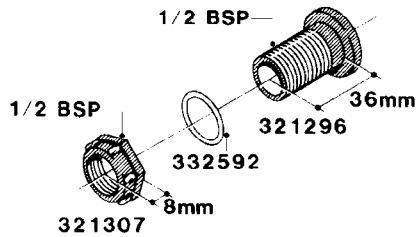
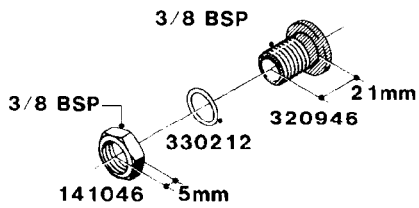
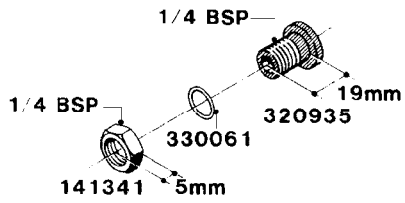
L0050



FITTINGS - HOSE CONNECTORS
L0050-HIN, 01:01:16

Page 1
Date 12.08.2020 9:26

| parts-n° | order qty | description |
|----------|-----------|--------------------------------|
| 242594 | 1 | O-RING D14 X 1.78 SCH.70-EPDM |
| 320294 | 1 | FITT.DK TEE 3/8X3/8HB X1/2"BSP |
| 320305 | 1 | FITT.DK HB 3/4'- 3/4' BSP |
| 320386 | 1 | FITT.DK TEE 3/8X3/8HB X3/8"BSP |
| 320397 | 1 | FITT.DK ELB 3/8"HB X 3/8" BSP |
| 320401 | 1 | FITT.DK TEE 1/2X1/2HB X1/2"BSP |
| 320412 | 1 | FITT.DK TEE 1/2X1/2HB X3/8'BSP |
| 320423 | 1 | FITT.DK ELB 1/2'HB X 3/8' BSP |
| 320891 | 1 | FITT.DK HB 3/8'- 3/8' BSP |
| 320972 | 1 | FITT.DK HB 5/16'- 1/4' BSP |
| 322046 | 1 | FITT.DK TEE 1/2X1/2HB X3/4'BSP |
| 322048 | 1 | FITT.DK TEE 3/4X3/4HB X3/4'BSP |
| 330595 | 1 | O-RING D24.6/D20X2.1 -3/4" |
| 333137 | 1 | FITT.DK CONN.1/2" F.NOZZ. DOUB |
| 333141 | 1 | FITT.DK CONN.1/2" F.NOZZ.SING |
| 334041 | 1 | FITT.DK CONN.3/4' F.NOZZ. SING |
| 334042 | 1 | FITT.DK CONN.3/4' F.NOZZ. DOUB |
| 334195 | 1 | FITT.DK ELB. 3/4"HB X 3/4"HB |
| 10012103 | 1 | FITT.PO.HB 1.25X1.50 IMB1012 |
| 10014003 | 1 | FITT.PO.HB 1.25X1.25 IMB1010 |
| 10036903 | 1 | FITT.PO.HB 1.50X1.50 IMB1212 |
| 28019303 | 1 | FITTING HB ELB 3/4NPT-3/4HOSE |
| 61016500 | 1 | HOSE TAIL 3/4" 90°+RG CAP 3/4" |
| 72026700 | 1 | NOZZLE TUBE ADAPTER W/O-RING |



L0060

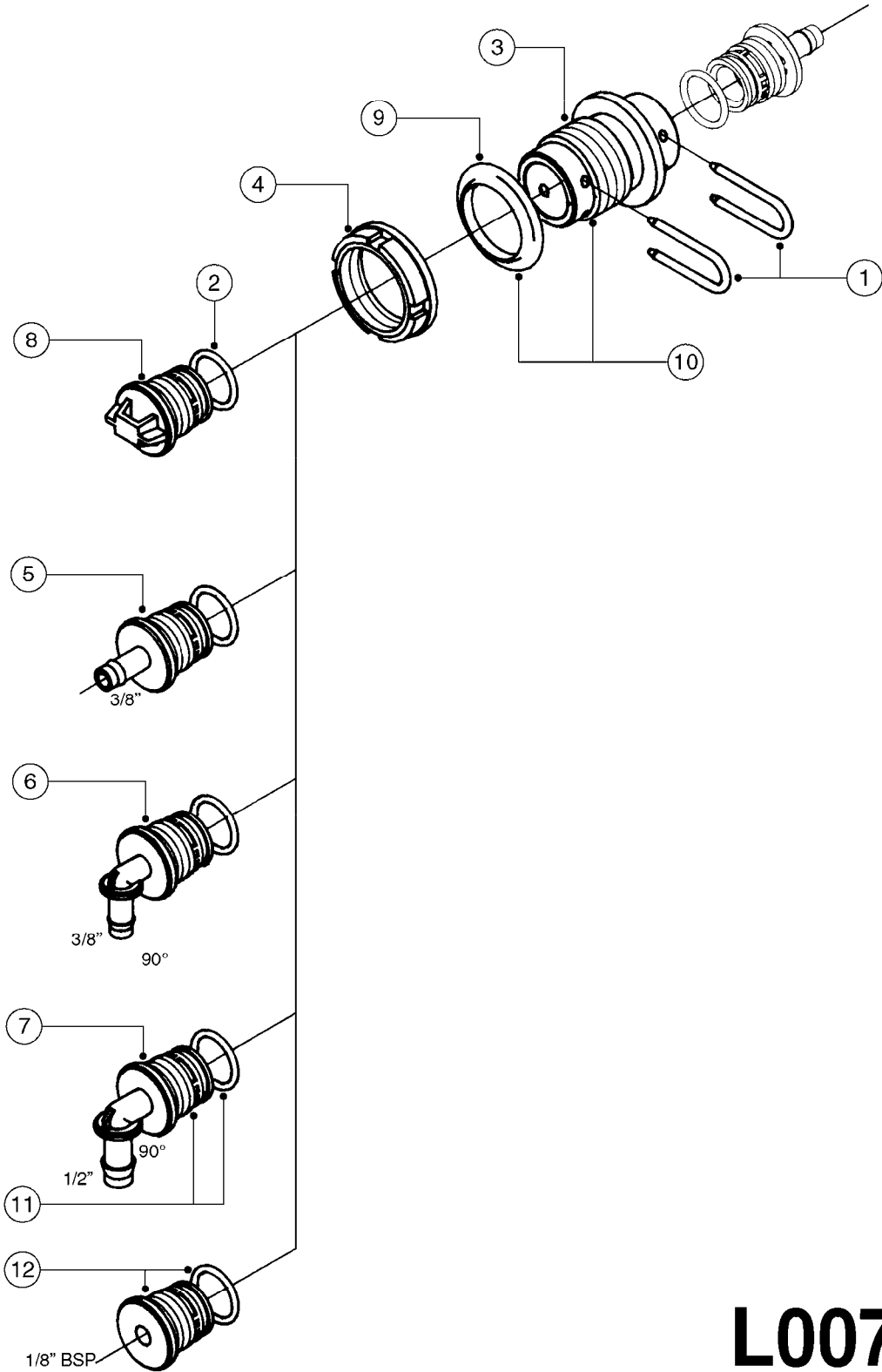


FITTINGS - BULKHEAD
L0060-HIN, 01:01:16

Page 1

Date 12.08.2020 9:26

| parts-n° | order qty | description |
|----------|-----------|--------------------------------|
| 141046 | 1 | NUT 3/8" BSP |
| 141341 | 1 | NUT 1/4' BSP |
| 240284 | 1 | O-RING D82,5/75 X 3,5 |
| 320456 | 1 | FITT.DK BULKHEAD 1"BSP DOUBLE |
| 320467 | 1 | FITT.DK BULKHEAD 1"BSP SINGLE |
| 320471 | 1 | FITT.DK NUT 1" BSP JAMB |
| 320541 | 1 | FITT.DK BULKHEAD 2-1/2'BSP SIN |
| 320552 | 1 | FITT.DK NUT 2-1/2' BSP JAMB |
| 320644 | 1 | FITT.DK ELB.3/4"HB X 1" BSP |
| 320784 | 1 | FITT.DK CAP 1-1/2" BSP |
| 320795 | 1 | FITT.DK NUT 1-1/2" BSP JAMB |
| 320935 | 1 | FITT.DK BULKHEAD 1/4' BSP SING |
| 320946 | 1 | FITT.DK BULKHEAD 3/8' BSP SING |
| 321296 | 1 | FITT.DK BULKHEAD 1/2" BSP SING |
| 321307 | 1 | FITT.DK NUT 1/2" BSP JAMB |
| 321333 | 1 | FITT.DK BULK 1-1/2" X 1"F BSP |
| 330061 | 1 | O-RING D16/D11X2,5 |
| 330072 | 1 | O-RING D53.5/D45.5X4 |
| 330212 | 1 | O-RING D19/D14X2.4 F.1/2"NUT |
| 332577 | 1 | O-RING D38/D30X4 F.1" PUR. |
| 332592 | 1 | O-RING D26/D20X3 |



L0070

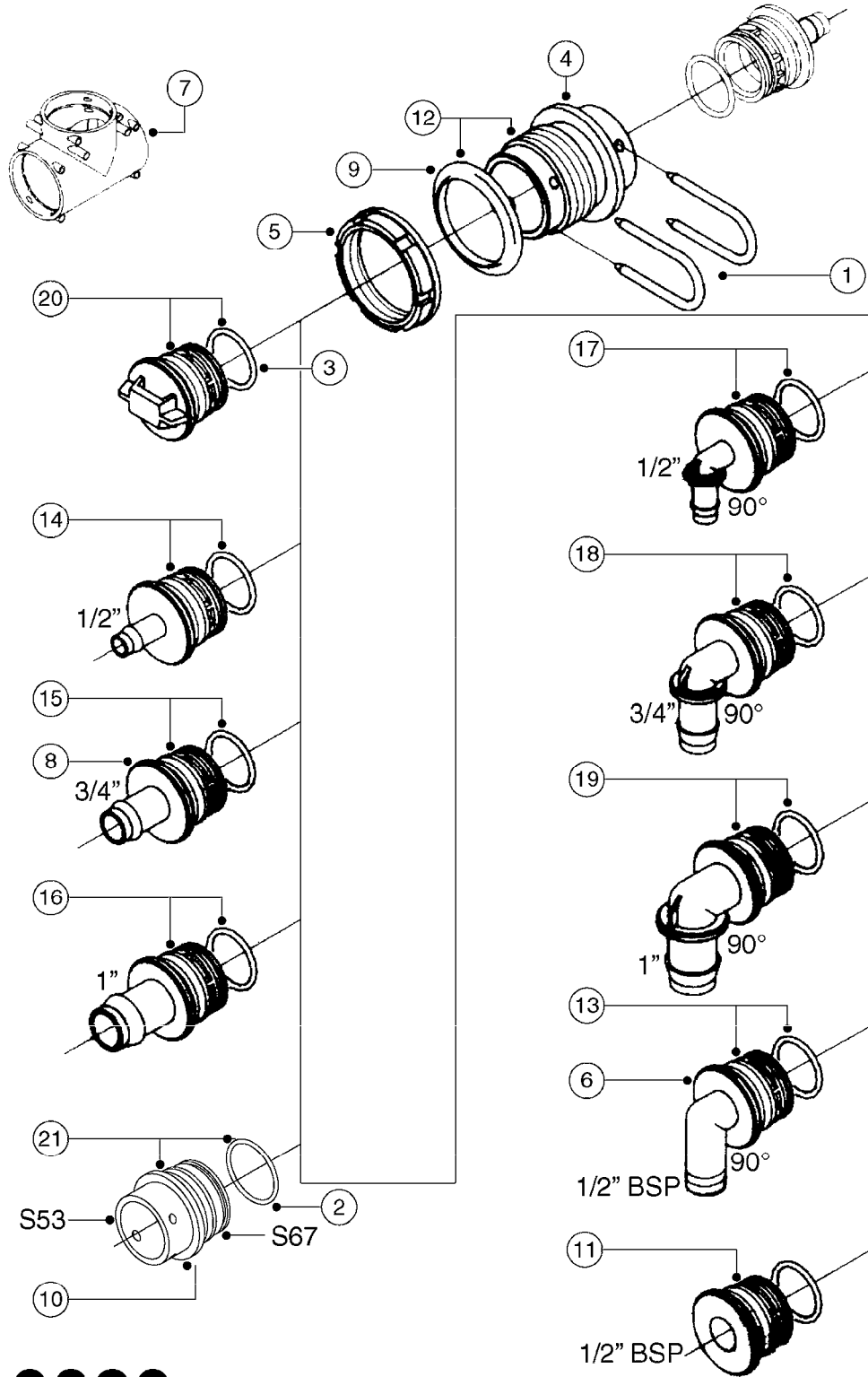


FITTINGS - S-40
L0070-HIN, 13:09:17

Page 1

Date 12.08.2020 9:26

| Pos. | parts-n° | order qty | description |
|------|----------|-----------|--|
| 1 | 145994 | 1 | FITT.DK S-40 FORK |
| 2 | 242108 | 1 | O-RING 3 X 19,2 70SH NITRIL NITRIL (BLACK) |
| 2 | 242355 | 1 | O-RING D19.2X3.0 VITON F.S-40 VITON (BROWN) |
| 3 | 322102 | 1 | FITT.DK S-40 BULKHEAD |
| 4 | 322106 | 1 | FITT.DK S-40 BULKHEAD NUT |
| 5 | 334225 | 1 | FITT.DK S-40 STR.3/8" |
| 6 | 334237 | 1 | FITT.DK S-40 ELB.3/8" |
| 7 | 334238 | 1 | FITT.DK S-40 ELB.1/2" |
| 8 | 334248 | 1 | FITT.DK S-40 PLUG |
| 9 | 334259 | 1 | GASKET F. S-40 BULKHEAD |
| 10 | 726462 | 1 | FITT. S40 BULKHEAD W.GASKET |
| 11 | 726567 | 1 | FITT.DK S-40 ELB.1/2" W.O-RING |
| 12 | 726693 | 1 | FITT.DK S-40 PLUG 1/8BSP ORING |



L0080

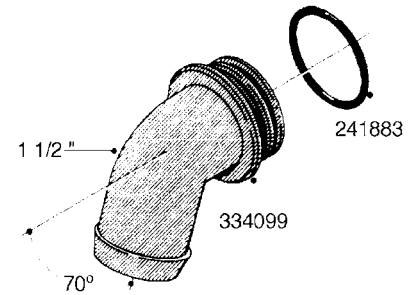
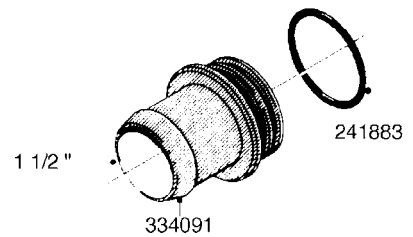
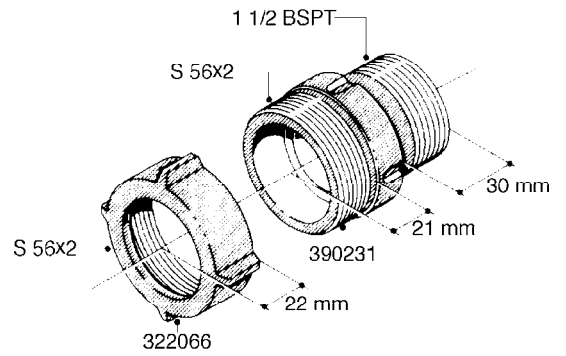
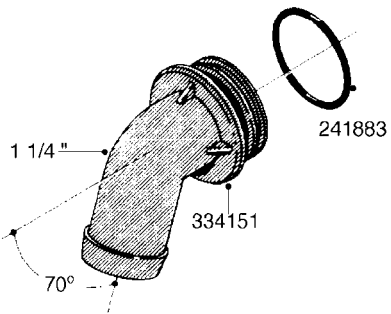
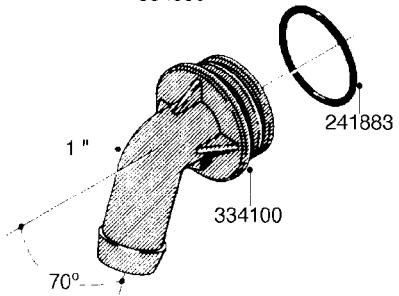
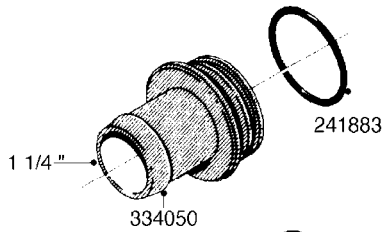
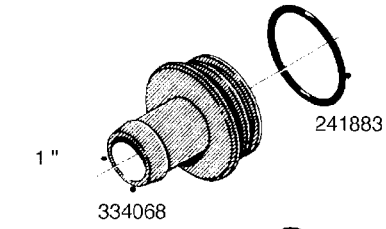
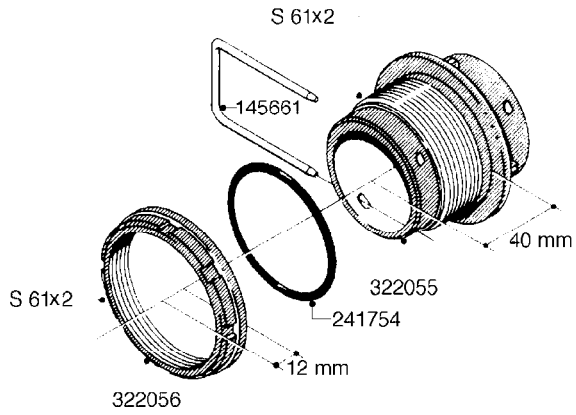


FITTINGS - S-53
L0080-HIN, 12:09:17

Page 1

Date 12.08.2020 9:26

| Pos. | parts-n° | order qty | description |
|------|----------|-----------|---|
| 1 | 145995 | 1 | FITT.DK S-53 FORK |
| 2 | 241973 | 1 | O-RING Ø3 X 44.2 70 SHORES NITRIL NITRIL (BLACK) |
| 2 | 242353 | 1 | O-RING 3 X 44.2 VITON VITON (BROWN) |
| 3 | 242109 | 1 | O-RING D32.2x3.0 NITRIL (BLACK) |
| 3 | 242354 | 1 | O-RING D32.2X3.0 VITON VITON (BROWN) |
| 4 | 322103 | 1 | FITT.DK S-53 BULKHEAD |
| 5 | 322107 | 1 | FITT.DK S-53 BULKHEAD NUT |
| 6 | 322110 | 1 | FITT.DK S-53 ELB. 1/2" BSP |
| 7 | 322352 | 1 | FITT.DK S-53 TEE |
| 8 | 334229 | 1 | FITT.DK S-53 STR.3/4" |
| 9 | 334260 | 1 | GASKET F. S-53 BULKHEAD |
| 10 | 334564 | 1 | FITT.DK S-67 TO S-53 ADAPTER |
| 11 | 391100 | 1 | FITT.DK S-53THREAD INS.1/2"BSP |
| 12 | 726463 | 1 | FITT.DK S53 BULKHEAD W/GASKET |
| 13 | 726552 | 1 | FIT.DK S-53X90 1/2" BSP,O-RING |
| 14 | 726556 | 1 | FITT.DK S-53 HB 1/2" W/O-RING |
| 15 | 726558 | 1 | FITT.DK S53 STR. 3/4" W.ORING |
| 16 | 726559 | 1 | FITT DK. S-53 HB 1" W/O-RING |
| 17 | 726568 | 1 | FITT.DK.S-53 HB 1/2"90 W/O-RING |
| 18 | 726570 | 1 | FITT.DK S-53 ELB.3/4" W.ORING |
| 19 | 726571 | 1 | FITT.DK S-53 ELB.1", W ORING |
| 20 | 726578 | 1 | FITT.DK S53 PLUG WITH O-RING |
| 21 | 728561 | 1 | FITT.DK. S67M - S53F REDUCER |



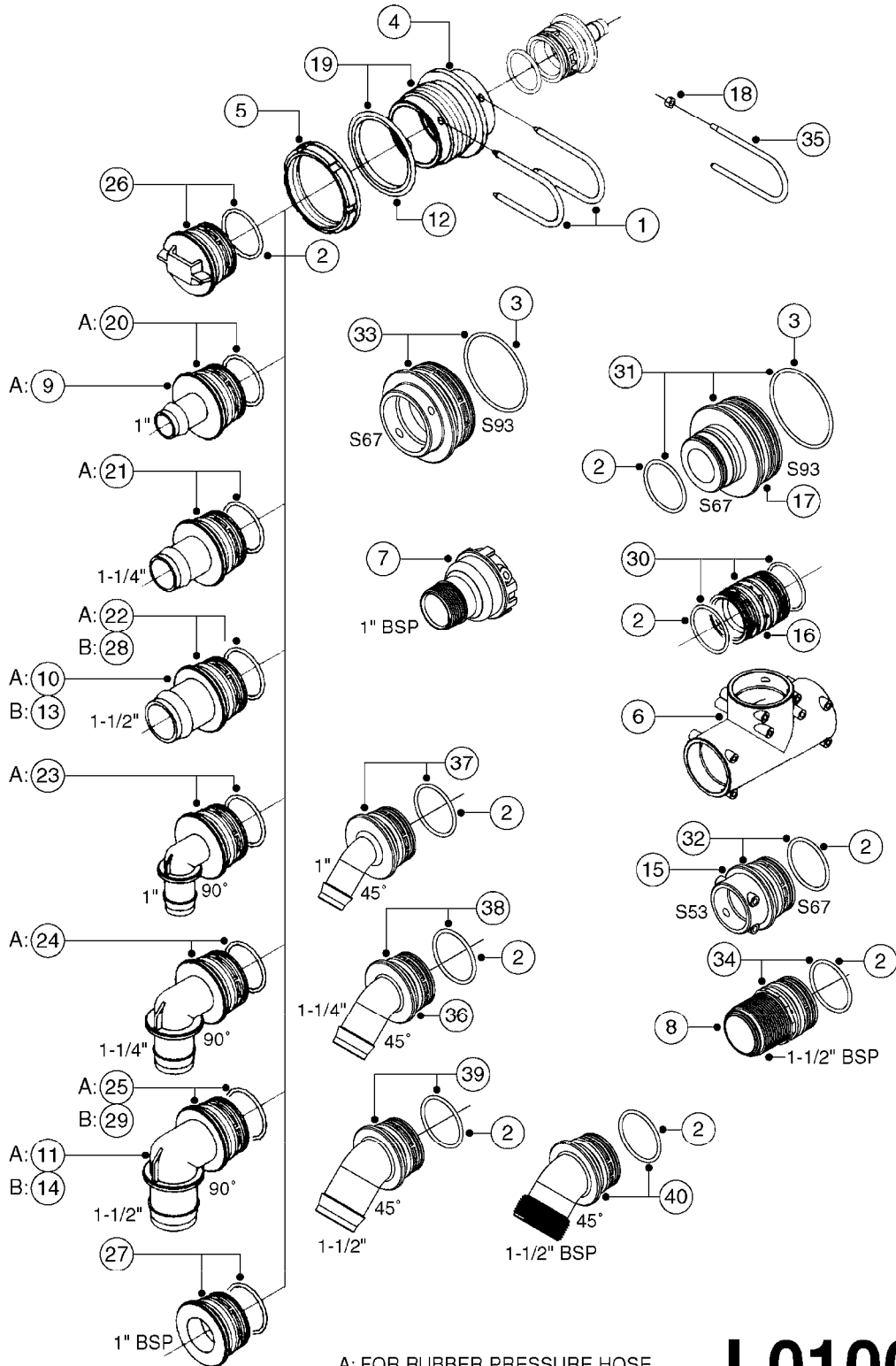
L0090



FITTINGS - S-56 & S-61
L0090-HIN, 01:01:16

Page 1
Date 12.08.2020 9:26

| parts-n° | order qty | description |
|----------|-----------|--------------------------------|
| 145661 | 1 | FITT.DK S-61 FORK |
| 241754 | 1 | O-RING D59.5X3 |
| 241883 | 1 | O-RING 3 X 39.2 NITRIL |
| 322055 | 1 | FITT.DK S-61 BULKHEAD |
| 322056 | 1 | FITT.DK S-61 BULKHEAD NUT |
| 322066 | 1 | FITT.DK S-56 NUT |
| 334050 | 1 | FITT.DK S-61 STR.1-1/4" |
| 334068 | 1 | FITT.DK S-61 STR.1" |
| 334091 | 1 | FITT.DK S56 STR.1-1/2' |
| 334099 | 1 | FITT.DK S-61 ELB.1-1/2"110 DEG |
| 334100 | 1 | FITT.DK S-61 ELB.1" 110 DEG. |
| 334151 | 1 | FITT.DK S-61 ELB.1-1/4"110 DEG |
| 390231 | 1 | FITT.DK NIPPLE 1-1/2 X S56 |



A: FOR RUBBER PRESSURE HOSE
B: FOR PVC SPIRAL HOSE

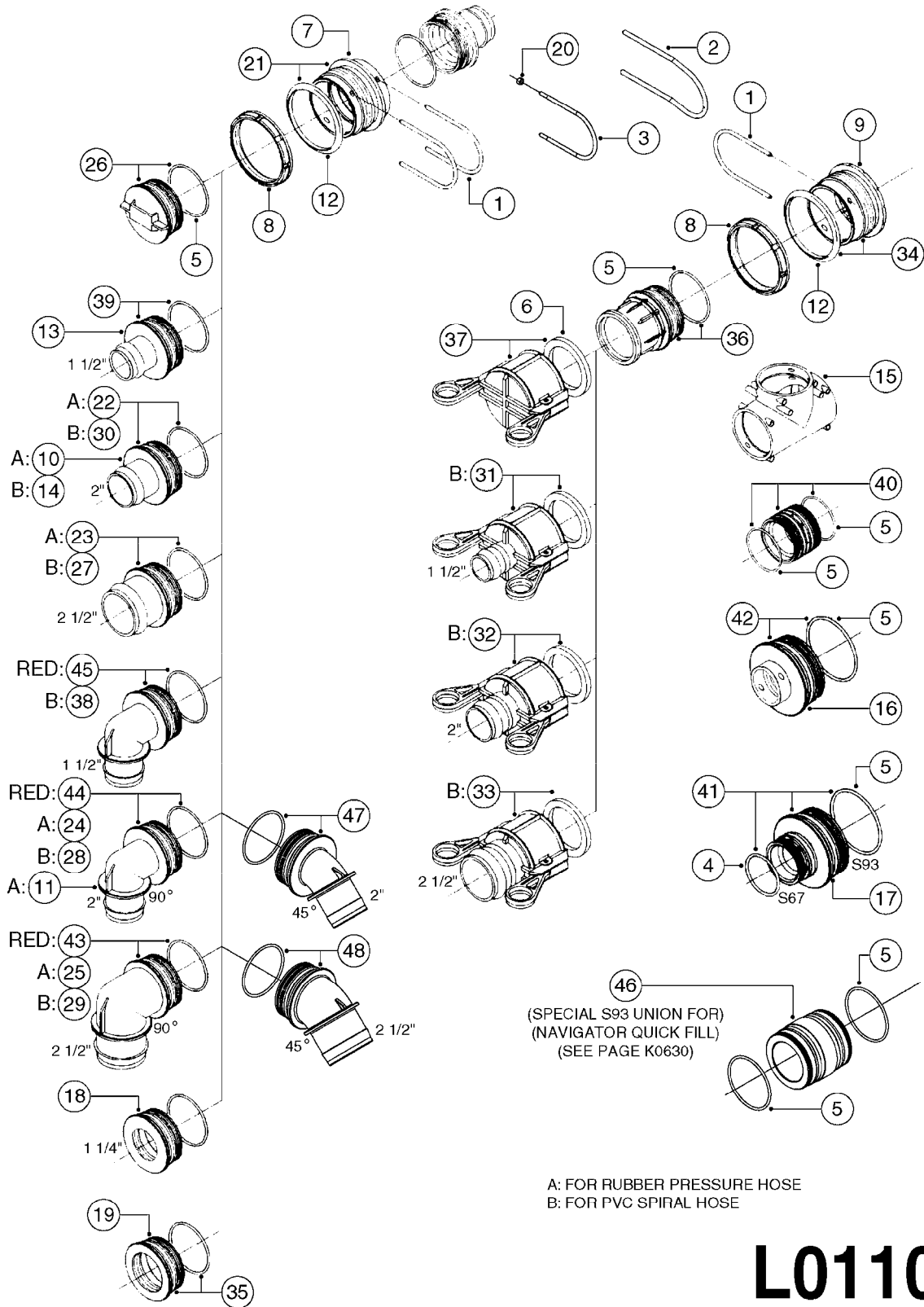
L0100



FITTINGS - S-67
L0100-HIN, 21:06:18

Page 1
Date 12.08.2020 9:26

| Pos. | parts-n° | order qty | description |
|------|----------|-----------|--|
| 1 | 145996 | 1 | FITT.DK S-67 FORK |
| 2 | 241973 | 1 | O-RING Ø3 X 44.2 70 SHORES NITRIL NITRIL (BLACK) |
| 2 | 242353 | 1 | O-RING 3 X 44.2 VITON VITON (BROWN) |
| 3 | 242092 | 1 | O-RING D69.5X3 NITRIL (BLACK) |
| 3 | 242351 | 1 | O-RING D69.5X3.0 VITON F.S-93 VITON (BROWN) |
| 4 | 322104 | 1 | FITT.DK S-67 BULKHEAD |
| 5 | 322108 | 1 | FITT.DK S-67 BULKHEAD NUT |
| 6 | 322224 | 1 | FITT.DK S-67 TEE |
| 7 | 322321 | 1 | FITT.DK S-67 X 1"BSP MALE |
| 8 | 322325 | 1 | FITT.DK S-67 X 1-1/2"BSP LONG |
| 9 | 334231 | 1 | FITT.DK S-67 STR.1" |
| 10 | 334233 | 1 | FITT.DK S-67 STR.1-1/2" RUBBER |
| 11 | 334245 | 1 | FITT.DK S-67 ELB. 1-1/2"RUBBER |
| 12 | 334261 | 1 | GASKET F. S-67 BULKHEAD |
| 13 | 334444 | 1 | FITT.DK S-67 STR.1-1/2" PVC |
| 14 | 334445 | 1 | FITT.DK S-67 ELB.1-1/2" |
| 15 | 334564 | 1 | FITT.DK S-67 TO S-53 ADAPTER |
| 16 | 334573 | 1 | FITT.DK S-67 CONNECTOR |
| 17 | 334634 | 1 | FITT.DK ADAPTER S-93M S67M |
| 18 | 461217 | 1 | NUT HEX M5 LOCK |
| 19 | 726464 | 1 | FITT.DK S-67 BULKHEAD W/GASKET |
| 20 | 726560 | 1 | FITT.DK S-67 STR.1" W.O'RING |
| 21 | 726561 | 1 | FITT.DK S-67 STR.1-1/4" O-RING |
| 22 | 726562 | 1 | FITT.DK.S-67 HB 1-1/2"W.O-RING |
| 23 | 726572 | 1 | FITT.DK S-67 1" ELBOW 90 ASSY. |
| 24 | 726573 | 1 | FITT. S67 5/4" 90° W/O-RING |
| 25 | 726574 | 1 | FITT.DK S67X90,1.5HB PRESSURE |
| 26 | 726579 | 1 | FITT. S67 PLUG W/O-RING |
| 27 | 726695 | 1 | FITTING S67 - BSP 1" + O-RING |
| 28 | 727223 | 1 | FITT.S67 1.5" STRAIT S W/ORING |
| 29 | 727224 | 1 | FITT.DK S67X90,1.5HB SUCTION |
| 30 | 728526 | 1 | FITT.DK S-67 CONNECT W/O-RINGS |
| 31 | 728527 | 1 | ADAPTER S67M TO S93M W/ORING |
| 32 | 728561 | 1 | FITT.DK. S67M - S53F REDUCER |
| 33 | 728562 | 1 | FITT.DK S-93 TO S67 ADAPTOR |
| 34 | 728578 | 1 | FITT.DK S-67X1-1/2"BSP LG W/O-RING |
| 35 | 14012200 | 1 | FITT.DK S-67 FORK W/M5 THREADS |
| 36 | 33509700 | 1 | FITT.DK S-67 45° 1-1/4" |
| 37 | 72433000 | 1 | FITT.S67 1" 45° W/O-RING |
| 38 | 72433100 | 1 | FITT.DK S-67 45° 1-1/4"W/ORING |
| 39 | 72433200 | 1 | FITT.S67 1-1/2" 45°PVC W/O-RING |
| 40 | 72433400 | 1 | FITT.S67 1-1/2" 45°BSP W/ORING |

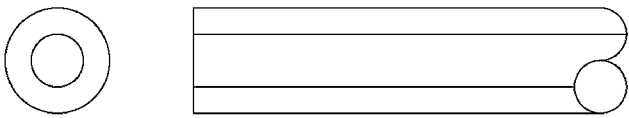
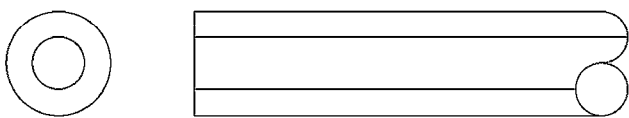
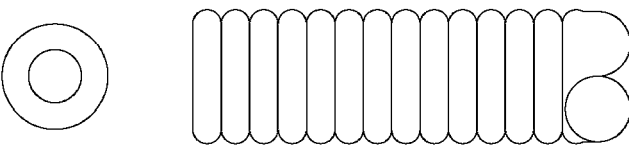
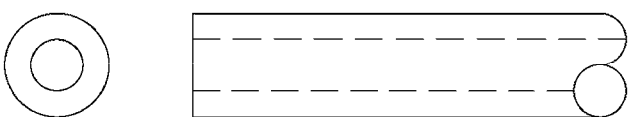
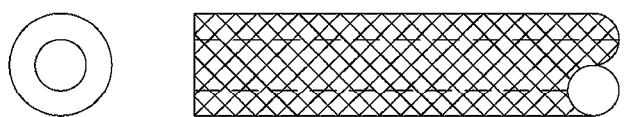
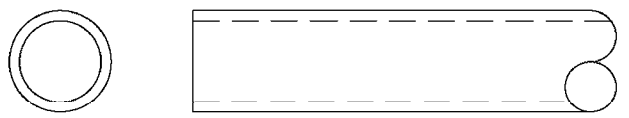


L0110



| Pos. | parts-n° | order qty | description |
|------|----------|-----------|--|
| 1 | 145997 | 1 | FITT.DK S-93 FORK |
| 2 | 147115 | 1 | FITT.DK S-93 FORK SPECIAL |
| 3 | 147774 | 1 | FITT.DK S-93 FORK W. M5 THREAD |
| 4 | 241973 | 1 | O-RING Ø3 X 44.2 70 SHORES NITRIL NITRIL (BLACK) |
| 4 | 242353 | 1 | O-RING 3 X 44.2 VITON VITON (BROWN) |
| 5 | 242092 | 1 | O-RING D69.5X3 NITRIL (BLACK) |
| 5 | 242351 | 1 | O-RING D69.5X3.0 VITON F.S-93 VITON (BROWN) |
| 6 | 242221 | 1 | GASKET F. S-93 QUICK COUPLERS |
| 7 | 322105 | 1 | FITT.DK S-93 BULKHEAD DOUBLE |
| 8 | 322109 | 1 | FITT.DK S-93 BULKHEAD NUT |
| 9 | 322165 | 1 | FITT.DK S-93 BULKHEAD SINGLE |
| 10 | 334234 | 1 | FITT.DK S-93 STR.2" RUBBER |
| 11 | 334246 | 1 | FITT.DK S-93 ELB.2" PVC |
| 12 | 334262 | 1 | GASKET F.S-93 BULKHEAD |
| 13 | 334304 | 1 | FITT.DK S-93 STR.1-1/2" PVC |
| 14 | 334426 | 1 | FITT.DK S-93 STR.2" |
| 15 | 334545 | 1 | FITT.DK S-93 TEE |
| 16 | 334601 | 1 | FITT.DK S-93 TO S67 ADAPTOR |
| 17 | 334634 | 1 | FITT.DK ADAPTER S-93M S67M |
| 18 | 390485 | 1 | FITT.DK S-93 PLUG W D34 HOLE |
| 19 | 390721 | 1 | FITT.DK S-93 PLUG W/2" NPT THRE |
| 20 | 461217 | 1 | NUT HEX M5 LOCK |
| 21 | 726465 | 1 | FITT.DK S-93 BULKHEAD W/GASKET |
| 22 | 726563 | 1 | FITT.DK S-93 STR 2" W/O-RING |
| 23 | 726564 | 1 | HOSE TAIL 2-1/2" W.O-RING |
| 24 | 726575 | 1 | FITT.DK S-93 ELB. 2" RUBBER |
| 25 | 726576 | 1 | FITT. DK S-93 2-1/2" 90° |
| 26 | 726580 | 1 | FITT. S93 PLUG W/O-RING |
| 27 | 727133 | 1 | HOSETAIL S93 2"1/2 + O-RING |
| 28 | 727225 | 1 | FITT.DK S-93 ELB.2'PVC W/ORING |
| 29 | 727226 | 1 | HOSETAIL S93 2"1/2 90°+O-RING |
| 30 | 727227 | 1 | FITT.DK S-93 STR.2" W/ORING |
| 31 | 727235 | 1 | QUICK COUPLER FEMALE W 1-1/2HB |
| 32 | 727236 | 1 | QUICK COUPLER FEMALE W 2" HB |
| 33 | 727237 | 1 | QUICK COUPLER FEMALE W2-1/2" HB |
| 34 | 727339 | 1 | FITT. S93 DRAIN BULKHEAD W/O-R |
| 35 | 727476 | 1 | FITT. DK S-93 2"FM THD W.ORING |
| 36 | 727777 | 1 | QUICK COUPLER S93 DRAIN W/O-RI |
| 37 | 728120 | 1 | QUICK COUPLER CAP F.S93 DRAIN |
| 38 | 728395 | 1 | FITT.DK S-93 ELB.1-1/2" 90 DEG |
| 39 | 728523 | 1 | FITT.DK S-93 STR.1-1/2" W.O-RING |
| 40 | 728525 | 1 | FITT. S93 CONNECTOR W/O-RINGS |
| 41 | 728527 | 1 | ADAPTER S67M TO S93M W/ORING |
| 42 | 728562 | 1 | FITT.DK S-93 TO S67 ADAPTOR |
| 43 | 729828 | 1 | FITT.DK S-93 ELB 2-1/2" RED |
| 44 | 729829 | 1 | FITT.DK S-93 ELB 2 RED |
| 45 | 729830 | 1 | FITT.DK S-93 ELB 1-1/2" 90 RED |
| 46 | 39121700 | 1 | FITT.DK S93 ADAP LG MALE MALE |
| 47 | 72072700 | 1 | FITT.DK S-93 45D 2" PVC |
| 48 | 72072900 | 1 | FITT. S93 2-1/2" 45° S W/O-RING |



| I.D. | PART # (ONE FOOT) | |
|--|--|--|
| 3/8" 1/2" 3/4" 1" 1-1/4" 1-1/2" | 92701703 92702103 92703203 92712403 92734403 92736503 |  RUBBER HOSE |
| 5/16" 3/8" 1/4" 1/2" 3/4" | 927281 927284 927268 927269 927270 |  PVC HOSE |
| 1" 1-1/4" 1-1/2" 2" 2-1/2" | 92702403 92738900 92702603 92702703 92702803 |  PVC SPIRAL SUCTION HOSE, GRAY |
| 3/4" 1-1/4" | 927205 92703503 |  CLEAR HOSE, SMOOTH |
| 1/2" 3/4" | 10631003 927231 |  PVC HOSE, CLEAR, REINFORCED |
| 4mm 6mm 8mm 10mm .25" .38" | 927253 RED 927264 RED 927306 BLACK 927330 BLACK 92703303 BLACK 92703403 BLACK |  PVC AIR HOSE, SMOOTH |

L0120



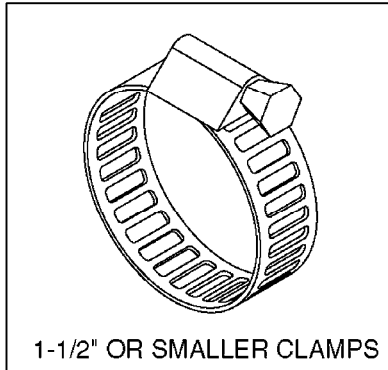
BULK HOSE
L0120-HIN, 17:10:19

Page 1
Date 12.08.2020 9:26

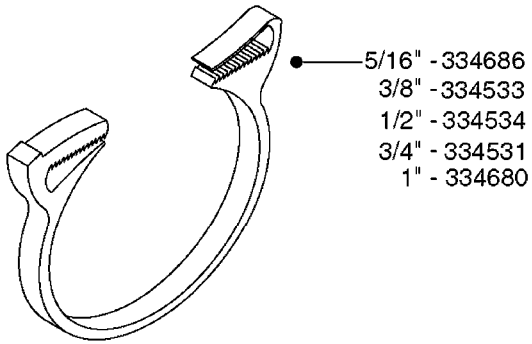
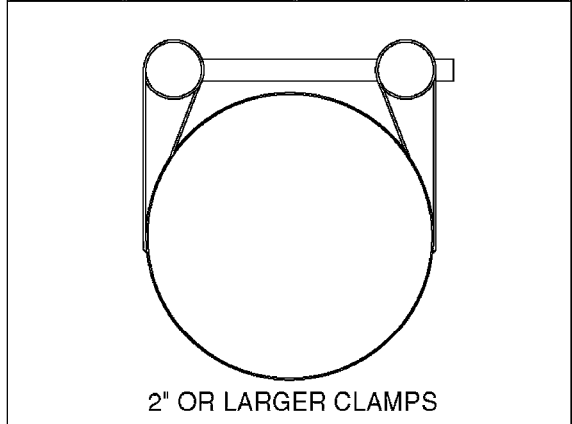
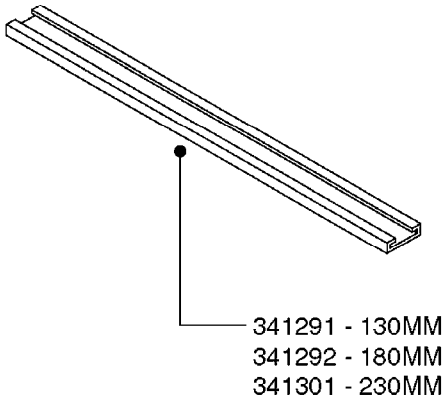
| parts-n° | order qty | description |
|----------|-----------|------------------------------------|
| 927205 | 1 | HOSE R X CLEAR X 3/4 X 0012" |
| 927231 | 1 | HOSE R X PVCX3/4 CLR/BRD 0012" |
| 927253 | 1 | RED AIR HOSE, Ø4/2 1810 E |
| 927264 | 1 | HOSE R X PE D6/D4 X 0012" |
| 927268 | 1 | HOSE BLUE PVC X 1/4 X 0012" |
| 927269 | 1 | HOSE R X PVC X 1/2 X 0012" |
| 927270 | 1 | HOSE R X PVC X 3/4 X 0012" |
| 927281 | 1 | HOSE R X PVC X 5/16 X 0012" |
| 927284 | 1 | HOSE 3/8 PVC W/ INSERT |
| 927306 | 1 | HOSE R X PE D8/D6 X 0012"BLACK |
| 927330 | 1 | HOSE R X PE D10/D8 X 012"BLACK |
| 10631003 | 1 | HOSE R X CLEAR BRAID.X 1/2 12" |
| 92701703 | 1 | HOSE R X3/8" X300PSI WP X0012" |
| 92702103 | 1 | HOSE R X1/2" X300PSI WP X0012" |
| 92702403 | 1 | HOSE PVC SUCT GRAY 1" |
| 92702603 | 1 | HOSE PVC SUCT GRAY 1-1/2" |
| 92702703 | 1 | HOSE PVC SUCT GRAY 2" |
| 92702803 | 1 | HOSE PVC SUCT GRAY 2.5" |
| 92703203 | 1 | HOSE R X3/4" X300PSI WP X0012" |
| 92703303 | 1 | HOSE LLDPE .25"X.17"X12" BLACK |
| 92703403 | 1 | HOSE LLDPE .38"X.25"X12" BLACK |
| 92703503 | 1 | HOSE VINYL CLEAR 1-1/4" OD X 1" ID |
| 92712403 | 1 | HOSE R X1" X300PSI WP X0012" |
| 92734403 | 1 | HOSE R X5/4" X200PSI WP X0012" |
| 92736503 | 1 | HOSE R X1.5" X200PSI WP X0012" |
| 92738900 | 1 | HOSE R X PVC X 1-1/4" 0012" |



HOSE CLAMPS
L0130-HIN, 16:10:19



| Hose Size | Pressure | Suction | Clamp Code |
|-----------|----------|----------|------------|
| 5/16" | 284582 | | - |
| 3/8" | 28044903 | | 6706 |
| 1/2" | 28029803 | | 6708 |
| 3/4" | 28029903 | | 6712 |
| 1" | 28030003 | 28029903 | 6716 |
| 1-1/4" | 28030103 | | 6724 |
| 1-1/2" | | 28030103 | 6724 |
| 2" | | 28030203 | 235-67 |
| 2-1/2" | | 28030303 | 235-74 |
| 3" | | 28030403 | 235-87 |



L0130



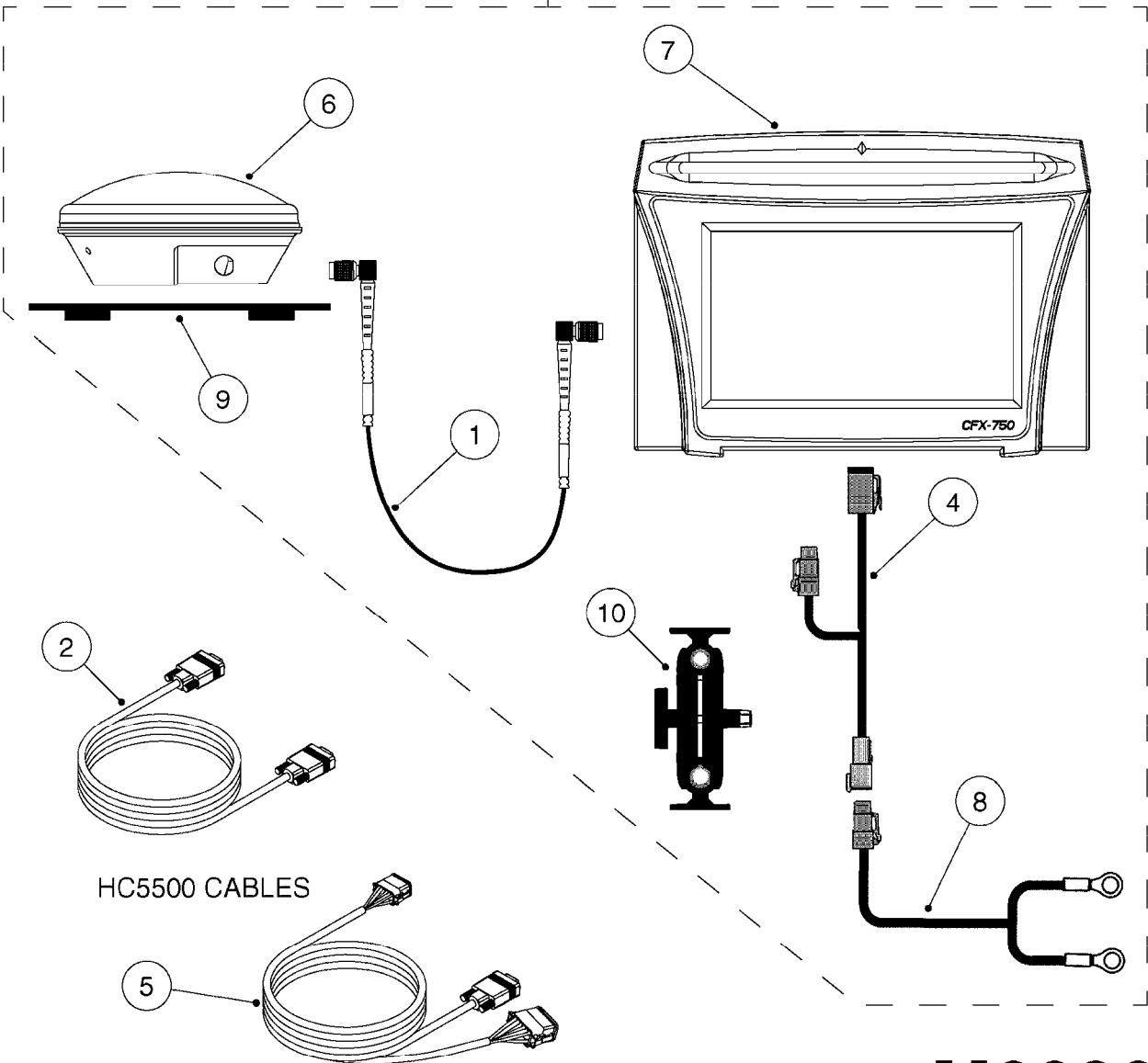
HOSE CLAMPS
L0130-HIN, 16:10:19

Page 1
Date 12.08.2020 9:26

| parts-n° | order qty | description |
|----------|-----------|---------------------------------|
| 284582 | 1 | CLAMP HOSE GEAR - 5/16" |
| 334531 | 1 | CLAMP HOSE PLASTIC 3/4" |
| 334533 | 1 | CLAMP HOSE PLASTIC 3/8" |
| 334534 | 1 | CLAMP HOSE PLASTIC 1/2" |
| 334680 | 1 | CLAMP HOSE PLASTIC 1" |
| 334686 | 1 | CLAMP HOSE PLASTIC 5/16" |
| 341291 | 1 | RUBBER HOSE CLAMP COVER 130MM |
| 341292 | 1 | RUBBER HOSE CLAMP COVER 180MM |
| 341301 | 1 | RUBBER HOSE CLAMP COVER 230MM |
| 28029803 | 1 | CLAMP HOSE GEAR P1/2" 6708 |
| 28029903 | 1 | CLAMP HOSE GEAR P3/4"-S1" 6712 |
| 28030003 | 1 | CLAMP HOSE GEAR P1" 6716 |
| 28030103 | 1 | CLAMP HOSE GEAR P5/4-S1.5" 6724 |
| 28030203 | 1 | CLAMP HOSE T-BOLT S2" 235-67 |
| 28030303 | 1 | CLAMP HOSE T-BOLT S2.5" 235-76 |
| 28030403 | 1 | CLAMP HOSE T-BOLT S3" 235-82 |
| 28044903 | 1 | CLAMP HOSE GEAR P3/8" 6706 |



3 COMPLETE ASSEMBLY



HC5500 CABLES

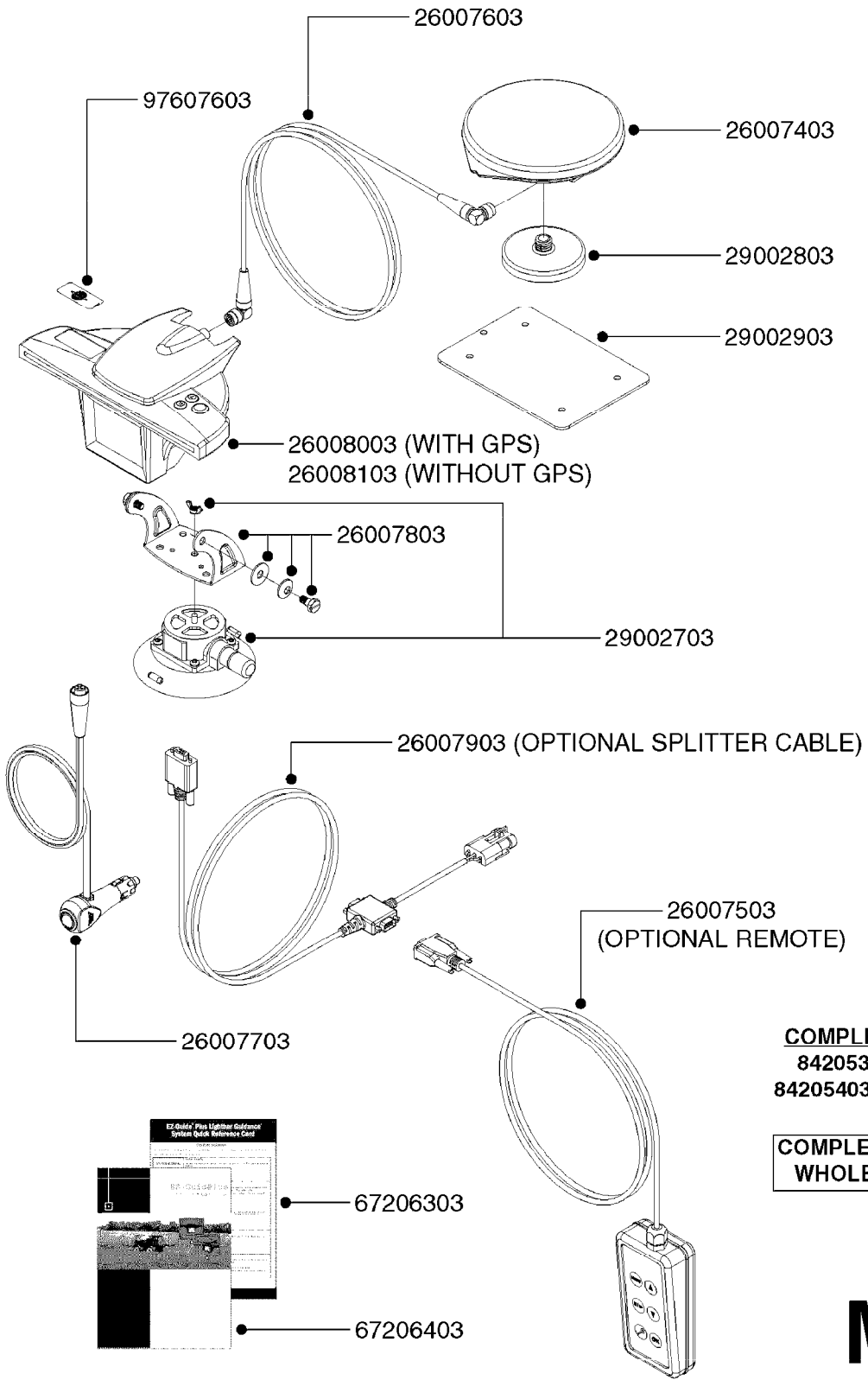
M0030



CFX-750 DISPLAY, DGPS
M0030-HIN, 01:01:16

Page 1
Date 12.08.2020 9:26

| Pos. | parts-n° | order qty | description |
|------|----------|-----------|--------------------------------|
| 1 | 26007603 | 1 | CABLE, ANTENNA, EZGUIDEPLUS |
| 2 | 26012003 | 1 | NULL MODEM CABLE |
| 3 | 26021403 | 1 | CFX-750 DISPLAY, DGPS |
| 4 | 26021603 | 1 | CABLE, POWER BUS, CAN CFX-750 |
| 5 | 26021703 | 1 | CABLE, ASC INTERFACE, CFX-750 |
| 6 | 26021803 | 1 | AG-25 ANTENNA L1/L2 GLN |
| 7 | 26022103 | 1 | CFX-750 DISPLAY ONLY |
| 8 | 26022603 | 1 | CFX-750 Basic Power Cable |
| 9 | 28048203 | 1 | EZ-GUIDE 500 MOUNT F.AG15 ANT. |
| 10 | 28048303 | 1 | EZ-GUIDE 250/500 RAM MNT.1.5" |



COMPLETE ASSEMBLY:
84205303 (WITH GPS)
84205403 (WITHOUT GPS)

**COMPLETE ASSEMBLIES
WHOLEGOODS ITEMS**

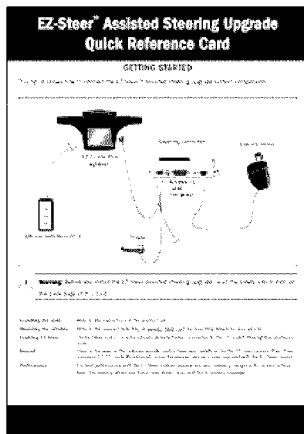
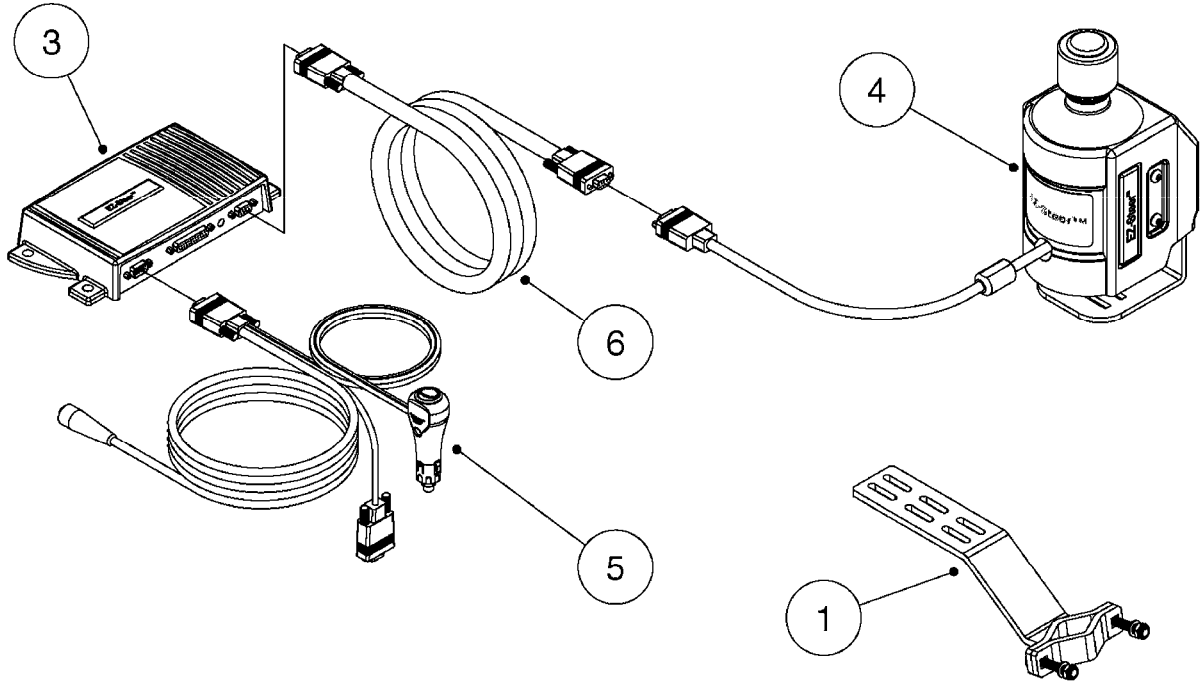
M0040



EZ-GUIDE PLUS LIGHT BAR
M0040-HIN, 01:01:16

Page 1
Date 12.08.2020 9:26

| parts-n° | order qty | description |
|----------|-----------|--------------------------------|
| 26007403 | 1 | ANTENNA,HURRICANE F. EZGUIDEPL |
| 26007503 | 1 | REMOTE KEYPAD EZ-GUIDE PLUS |
| 26007603 | 1 | CABLE, ANTENNA, EZGUIDEPLUS |
| 26007703 | 1 | CABLE, POWER F. EZGUIDEPLUS |
| 26007803 | 1 | BRACKET KIT F. EZGUIDEPLUS |
| 26007903 | 1 | EZ-Guide 500 External Interfac |
| 26008003 | 1 | LIGHT BAR ASSM WITH GPS |
| 26008103 | 1 | LIGHT BAR ASSM WITHOUT GPS |
| 29002703 | 1 | VACUUM CUP 4 1/2" 1420I |
| 29002803 | 1 | MOUNT, MAG F. ANTENNA |
| 29002903 | 1 | PLATE, F. ANTENNA MOUNT |
| 67206303 | 1 | QUICK REFERENCE CARD EZ-GUIDE+ |
| 67206403 | 1 | MANUAL EZ GUIDE PLUS |
| 84205303 | 1 | EZ GUIDE PLUS W GPS, NO LABEL |
| 84205403 | 1 | EZ GUIDE PLUS W/O GPS,NO LABEL |
| 97607603 | 1 | DECAL COMPANY 45MM X 20MM |



COMPLETE ASSEMBLY 8

COMPLETE ASSEMBLIES
WHOLEGOODS ITEMS

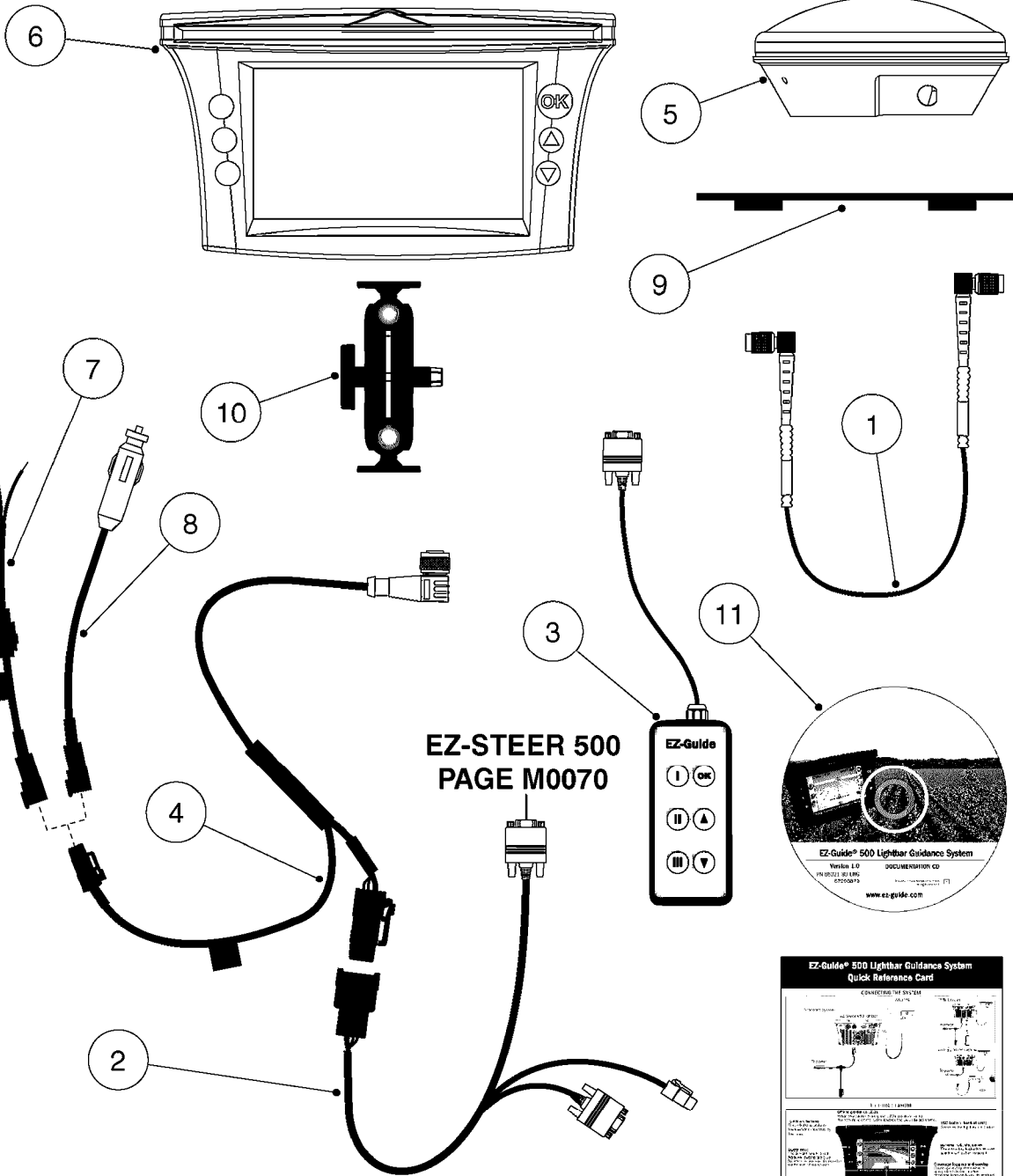
M0050



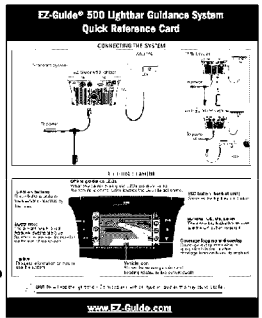
EZ-STEER STEERING SYSTEM
M0050-HIN, 01:01:16

Page 1
Date 12.08.2020 9:26

| Pos. | parts-n° | order qty | description |
|------|----------|-----------|---------------------------------|
| 1 | 26008803 | 1 | EZ-STR.BKT-JD 4000,8000 4WD |
| 1 | 26008903 | 1 | EZ-STR.BKT-JD80002WD,7X20,9000 |
| 1 | 26009003 | 1 | EZ-STR.BKT-CASE IH 7100/7200 |
| 1 | 26009103 | 1 | EZ-STR.BKT-JD COMBINE&ROGATOR |
| 1 | 26009203 | 1 | EZ-STR.BKT-JD 6000,7000 |
| 1 | 26009303 | 1 | EZ-STR.BKT-BUHLER,NH VERSATILE |
| 1 | 26009403 | 1 | EZ-STR.BKT-STEIGER,NH VERSATIL |
| 1 | 26009503 | 1 | EZ-STR.BKT-INTERNATIONAL TRUCK |
| 1 | 26009603 | 1 | EZ-STR.BKT-AGCHEM TERRAGATOR |
| 1 | 26009703 | 1 | EZ-STR.BKT-CASE IH MXM |
| 1 | 28036903 | 1 | EZ-STR.BKT-CASE IH COMB.1600 |
| 1 | 28037003 | 1 | EZ-STR.BKT-JD 89XX,71XX,72XX |
| 1 | 28037103 | 1 | EZ-STR.BKT-JD 8000/9000 |
| 1 | 28037203 | 1 | EZ-STR.T2 TERRAIN COMP.UPDATE |
| 1 | 28037303 | 1 | EZ-STR.BKT-SPR.COUPPE 3000/4000 |
| 1 | 28038203 | 1 | EZ-STR.BKT-FENDT 924 |
| 1 | 28046503 | 1 | EZ-STR.BKT-AGCO DT/RT,MF64/74 |
| 1 | 28047803 | 1 | EZ-STR.BKT.-NH TVT,CASE IH CVX |
| 1 | 28050203 | 1 | EZ-STR.BKT-CASE JX(U),NH TL(A) |
| 1 | 28055203 | 1 | EZ-STR.BKT-CASE MXM/N.HOLLAND |
| 1 | 28055903 | 1 | EZ-STR.BKT-WILMAR EAGLE |
| 2 | 26009803 | 1 | EZ-STEER FOAM WHEELS 4-PK |
| 3 | 26009903 | 1 | EZ-STEER CONTROLLER |
| 4 | 26010003 | 1 | EZ-STEER MOTOR KIT |
| 5 | 26010103 | 1 | EZ-STEER POWER CABLE |
| 6 | 26010203 | 1 | EZ-STEER MOTOR CABLE 3M |
| 7 | 67210803 | 1 | QUICK REFERENCE CARD EZ-STEER |
| 8 | 84205503 | 1 | EZ-STEER SYSTEM COMPLETE |



**EZ-STEER 500
PAGE M0070**



COMPLETE ASSEMBLY 13

**COMPLETE ASSEMBLIES
WHOLEGOODS ITEMS**

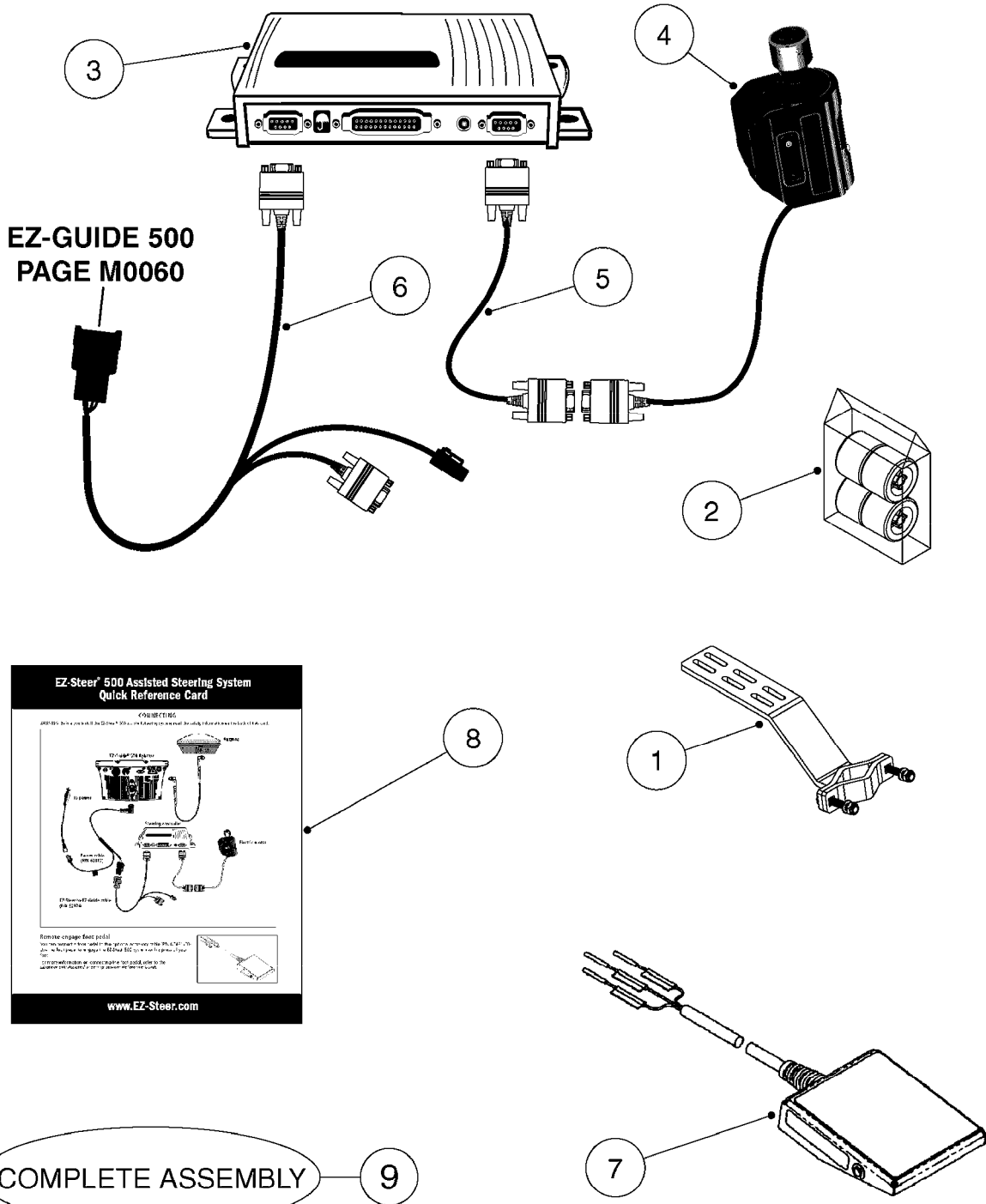
M0060



EZ-GUIDE 500 LIGHTBAR
M0060-HIN, 01:01:16

Page 1
Date 12.08.2020 9:26

| Pos. | parts-n° | order qty | description |
|------|----------|-----------|--------------------------------|
| 1 | 26007603 | 1 | CABLE, ANTENNA, EZGUIDEPLUS |
| 2 | 26012203 | 1 | EZ-STEER/GUIDE 500 ADAPT.CABLE |
| 3 | 26015303 | 1 | REMOTE KEYPAD EZGUIDE 500/250 |
| 3 | 28048403 | 1 | DECAL - REMOTE OVERLAY 500/250 |
| 4 | 26015403 | 1 | EZ-GUIDE 500 CABLE POWER/CAN90 |
| 5 | 26015503 | 1 | EZ-GUIDE 500 Z PLUS ANTENNA |
| 5 | 26015603 | 1 | ANTENNA AG15 L1,EZ GDE 500/250 |
| 6 | 26015703 | 1 | EZ-GUIDE 500 DGPS DISPLAY |
| 6 | 26015803 | 1 | EZ-GUIDE 500 OMNISTAR DISPLAY |
| 7 | 26016103 | 1 | EZ-GUIDE 500 CABLE UNTERM.FUSE |
| 8 | 26016203 | 1 | EZ-GUIDE 500 POWER CONN.CABLE |
| 9 | 28048203 | 1 | EZ-GUIDE 500 MOUNT F.AG15 ANT. |
| 10 | 28048303 | 1 | EZ-GUIDE 250/500 RAM MNT.1.5" |
| 11 | 29003803 | 1 | EZ-GUIDE 500 CD,GET.STARTED V1 |
| 12 | 67215403 | 1 | EZ-GUIDE 500 QUICK REF.CARD V1 |
| 13 | 84208303 | 1 | EZ GUIDE 500 LIGHTBAR (DGPS) |
| 13 | 84208403 | 1 | EZ GUIDE 500 LIGHTBAR (XP/HP) |
| 13 | 84208503 | 1 | EZ GUIDE 500 LIGHTBAR (RTK) |



COMPLETE ASSEMBLIES
WHOLEGOODS ITEMS

M0070

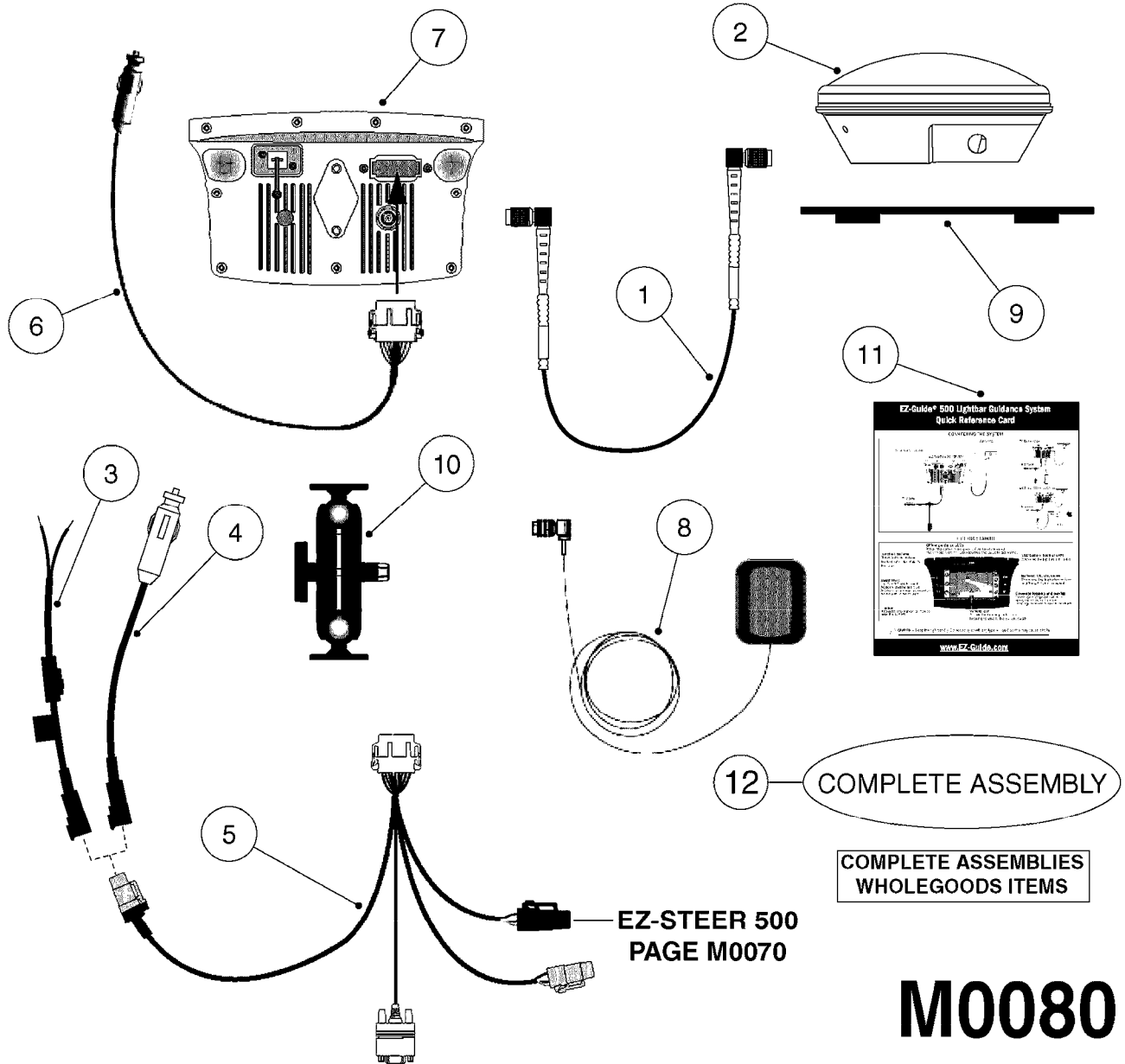


EZ-STEER 500 STEERING SYSTEM
M0070-HIN, 01:01:16

Page 1

Date 12.08.2020 9:26

| Pos. | parts-n° | order qty | description |
|------|----------|-----------|---------------------------------|
| 1 | 26008803 | 1 | EZ-STR.BKT-JD 4000,8000 4WD |
| 1 | 26008903 | 1 | EZ-STR.BKT-JD80002WD,7X20,9000 |
| 1 | 26009003 | 1 | EZ-STR.BKT-CASE IH 7100/7200 |
| 1 | 26009103 | 1 | EZ-STR.BKT-JD COMBINE&ROGATOR |
| 1 | 26009203 | 1 | EZ-STR.BKT-JD 6000,7000 |
| 1 | 26009303 | 1 | EZ-STR.BKT-BUHLER,NH VERSATILE |
| 1 | 26009403 | 1 | EZ-STR.BKT-STEIGER,NH VERSATIL |
| 1 | 26009503 | 1 | EZ-STR.BKT-INTERNATIONAL TRUCK |
| 1 | 26009603 | 1 | EZ-STR.BKT-AGCHEM TERRAGATOR |
| 1 | 26009703 | 1 | EZ-STR.BKT-CASE IH MXM |
| 1 | 28036903 | 1 | EZ-STR.BKT-CASE IH COMB.1600 |
| 1 | 28037003 | 1 | EZ-STR.BKT-JD 89XX,71XX,72XX |
| 1 | 28037103 | 1 | EZ-STR.BKT-JD 8000/9000 |
| 1 | 28037203 | 1 | EZ-STR.T2 TERRAIN COMP.UPDATE |
| 1 | 28037303 | 1 | EZ-STR.BKT-SPR.COUPPE 3000/4000 |
| 1 | 28038203 | 1 | EZ-STR.BKT-FENDT 924 |
| 1 | 28046503 | 1 | EZ-STR.BKT-AGCO DT/RT,MF64/74 |
| 1 | 28047803 | 1 | EZ-STR.BKT.-NH TVT,CASE IH CVX |
| 1 | 28050203 | 1 | EZ-STR.BKT-CASE JX(U),NH TL(A) |
| 1 | 28055203 | 1 | EZ-STR.BKT-CASE MXM/N.HOLLAND |
| 1 | 28055903 | 1 | EZ-STR.BKT-WILMAR EAGLE |
| 2 | 26009803 | 1 | EZ-STEER FOAM WHEELS 4-PK |
| 3 | 26009903 | 1 | EZ-STEER CONTROLLER |
| 4 | 26010003 | 1 | EZ-STEER MOTOR KIT |
| 5 | 26010203 | 1 | EZ-STEER MOTOR CABLE 3M |
| 6 | 26012203 | 1 | EZ-STEER/GUIDE 500 ADAPT.CABLE |
| 7 | 26012503 | 1 | EZ-STR.FOOT SWITCH & ACC.CABLE |
| 8 | 67214803 | 1 | EZ-STR.REF.GUIDE V3 SPARE |
| 8 | 67214903 | 1 | EZ-STEER QUICK REF.CARD V3 |
| 8 | 67215203 | 1 | EZ-STEER 500 QUICK REF.CARD V1 |
| 8 | 67215303 | 1 | MANUAL EZ-STEER 500 REF V1 |
| 9 | 84208603 | 1 | EZ-STEER 500/250 SYS. COMPLETE |



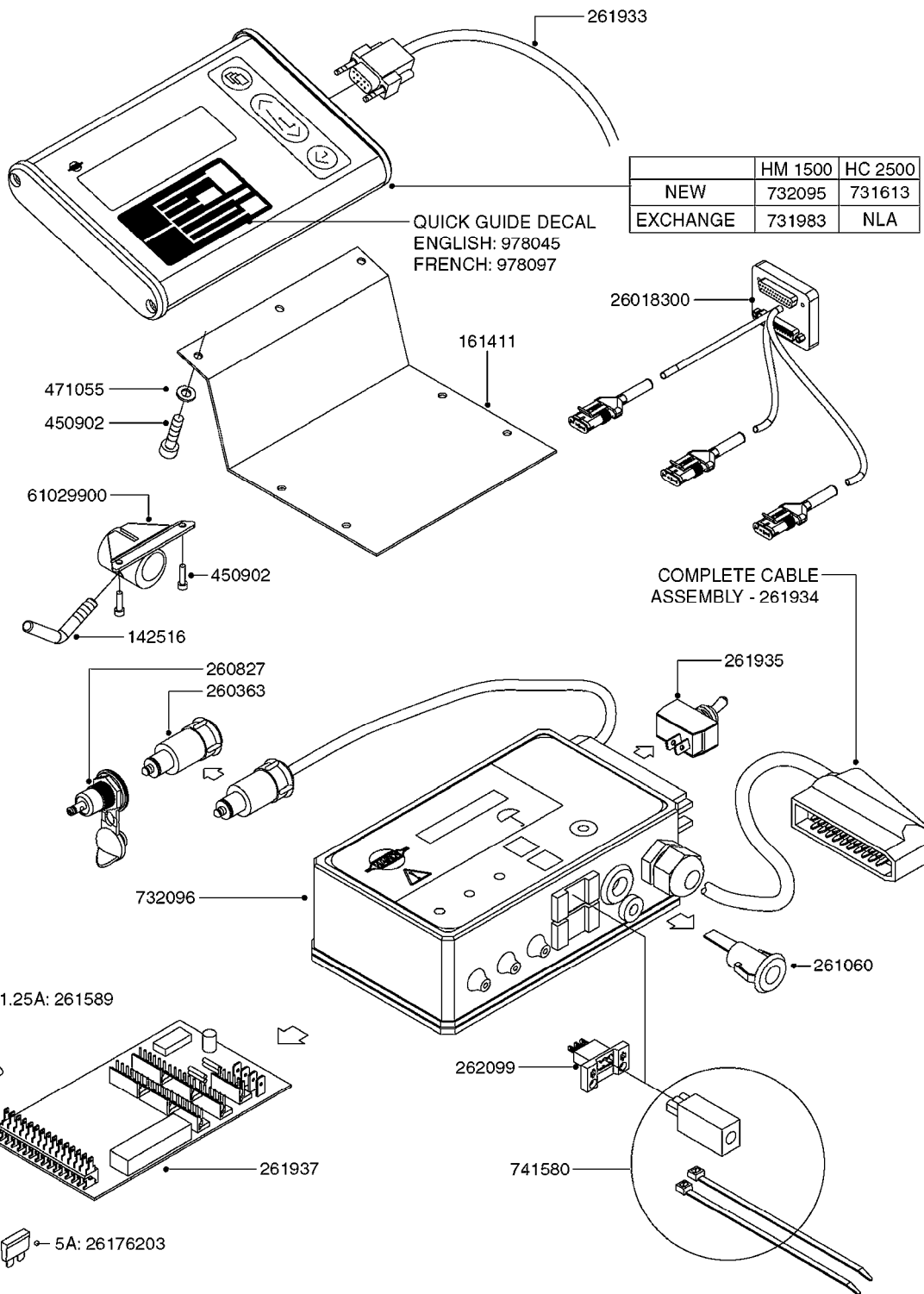


EZ-GUIDE 250 LIGHTBAR
M0080-HIN, 01:01:16

Page 1

Date 12.08.2020 9:26

| Pos. | parts-n° | order qty | description |
|------|----------|-----------|--------------------------------|
| 1 | 26007603 | 1 | CABLE, ANTENNA, EZGUIDEPLUS |
| 2 | 26015603 | 1 | ANTENNA AG15 L1,EZ GDE 500/250 |
| 3 | 26016103 | 1 | EZ-GUIDE 500 CABLE UNTERM.FUSE |
| 4 | 26016203 | 1 | EZ-GUIDE 500 POWER CONN.CABLE |
| 5 | 26017303 | 1 | EZ-GUIDE 250 ALL PORT CABLE |
| 6 | 26017703 | 1 | EZ-GUIDE 250 POWER CABLE |
| 7 | 26017803 | 1 | EZ-GUIDE 250 LIGHTBAR DISPLAY |
| 8 | 26017903 | 1 | EZ-GUIDE 250 PATCH ANTENNA |
| 9 | 28048203 | 1 | EZ-GUIDE 500 MOUNT F.AG15 ANT. |
| 10 | 28048303 | 1 | EZ-GUIDE 250/500 RAM MNT.1.5" |
| 11 | 67217403 | 1 | EZ-GUIDE 250 QUICK REF.CARD |
| 12 | 84210603 | 1 | EZ GUIDE 250 LIGHTBAR |



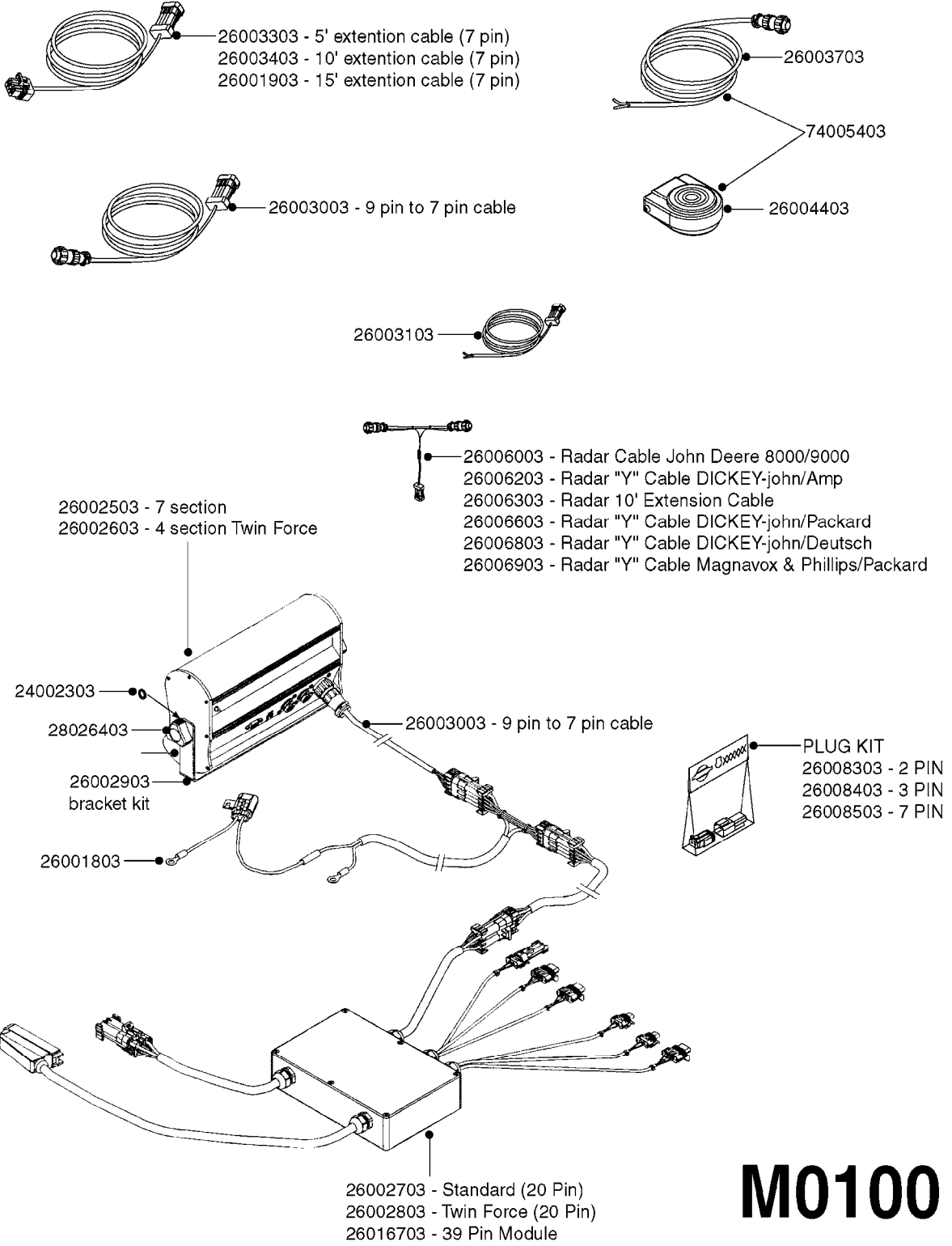
M0090



HC 2500/HM1500 DISPLAY/SCANBOX
M0090-HIN, 01:01:16

Page 1
Date 12.08.2020 9:26

| parts-n° | order qty | description |
|----------|-----------|---|
| 142516 | 1 | SCREW SET M10 BENT F. LOCKING |
| 161411 | 1 | MT.BRK. HC2500/HM1500 DISPLAY |
| 26018300 | 1 | ADAPTOR 2500 FOR SPRAYBOX II 39-PIN/REPLACES SCANBOX |
| 260363 | 1 | PLUG 2 POLE 12V |
| 260827 | 1 | PLUG F.EC ATTACHMENTS |
| 261060 | 1 | PLUG F.EC ATTACHMENTS |
| 261589 | 1 | FUSE 5 X 20 1.25 AMP |
| 26176203 | 1 | FUSE 5.0A QUICK-ACT. |
| 261933 | 1 | CABLE W/PLUG 2X25 L=71" |
| 261934 | 1 | CABLE W/PLUG 18X0.5MM L=79" |
| 261935 | 1 | SWITCH 2 POLE |
| 261937 | 1 | CIRCUIT BOARD F. SCANBOX |
| 262099 | 1 | PLUG SOCKET 3-POLE 2.5/3 |
| 450902 | 1 | BOLT ALLEN HEAD M4 X 16MM |
| 471055 | 1 | WASHER D4.1/7.6 X 0.9 |
| 61029900 | 1 | BRACKET FOR HC2500 |
| 731613 | 1 | DISPLAY HC2500 NEW |
| 731983 | 1 | DISPLAY HM1500 REFURBISHED |
| 732095 | 1 | DISPLAY HM1500 NEW |
| 732096 | 1 | SCANBOX F.HM1500/HC2500 |
| 741580 | 1 | PLUG 3-POLE 2.5/3 |
| 978045 | 1 | DECAL QUICK GUIDE 1500/2500 |
| 978097 | 1 | DECAL QUICK GUIDE 1500/2500 FR |



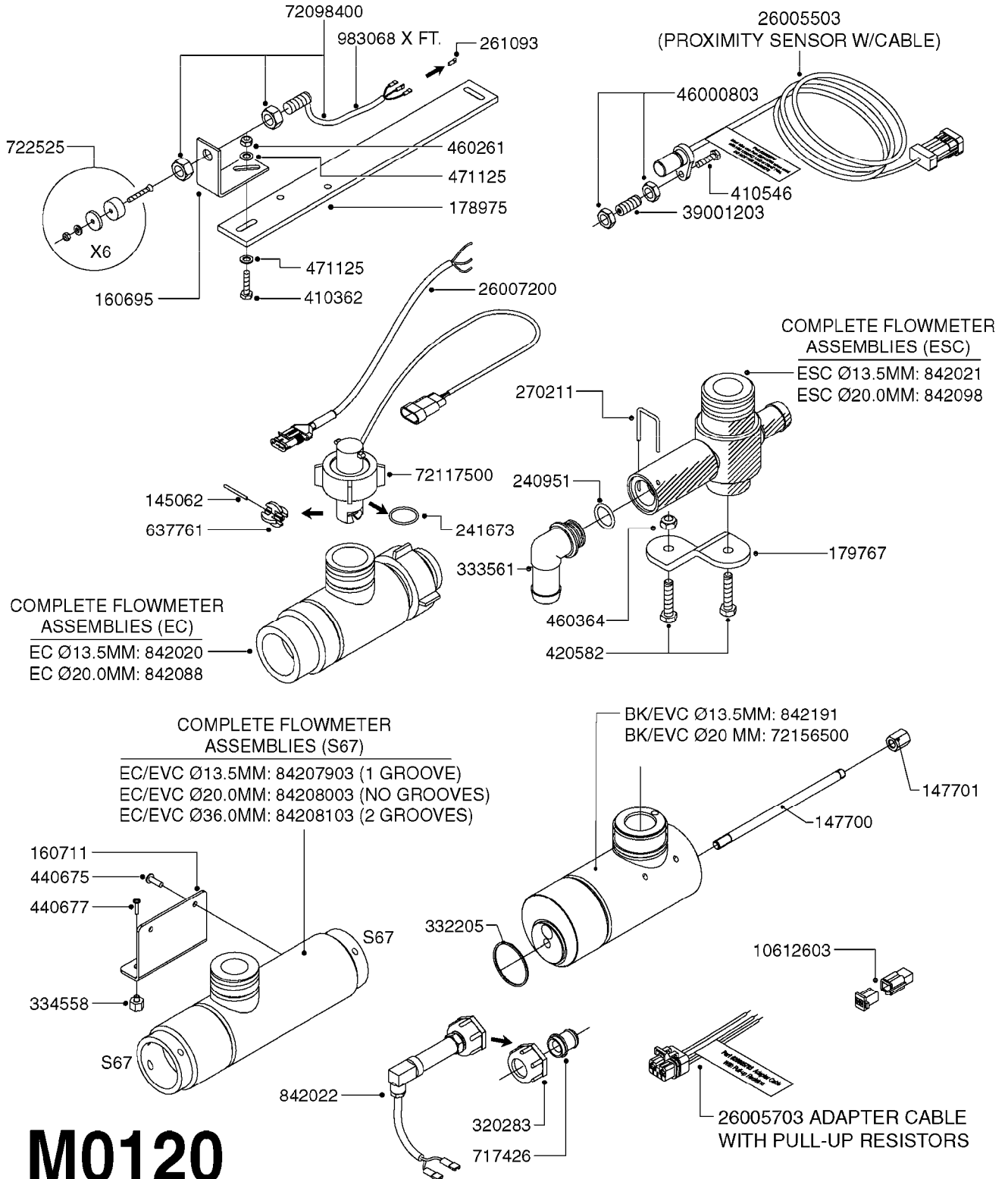
M0100



MUSTANG 3500 CONTROLLER
M0100-HIN, 01:01:16

Page 1
Date 12.08.2020 9:26

| parts-n° | order qty | description |
|----------|-----------|--------------------------------|
| 24002303 | 1 | WASHER, RUBBER |
| 26001803 | 1 | POWER CABLE |
| 26001903 | 1 | 15' 7-PIN EXTENSION CABLE |
| 26002503 | 1 | MUSTANG 3500/7 CONSOLE |
| 26002603 | 1 | MUSTANG 3500/4/TF CONSOLE |
| 26002703 | 1 | MUSTANG 3500/20PIN SC MODULE |
| 26002803 | 1 | MUSTANG 3500/20PIN TF SC MODUL |
| 26002903 | 1 | MUSTANG 3500 CONSOLE MNT KIT |
| 26003003 | 1 | MUSTANG 3500 CONSOLE CABLE |
| 26003103 | 1 | MUSTANG 3500/7 SC MOD CNECT KT |
| 26003303 | 1 | MUSTANG/FM 5FT 7PIN EXT CABLE |
| 26003403 | 1 | MUSTANG/FM 10FT 7PIN EXT CABLE |
| 26003703 | 1 | MUSTANG RUN/HOLD ADAPT CABLE |
| 26004403 | 1 | SWITCH, FOOT |
| 26006003 | 1 | MUSTANG RADR CBLE JD 8000/9000 |
| 26006203 | 1 | MUSTANG RDR "Y" CABLE DCKY-JHN |
| 26006303 | 1 | MUSTANG RDR EXTNSN CABLE 10FT |
| 26006603 | 1 | MUSTANG RDR"Y"CABLE D-J PACKRD |
| 26006803 | 1 | MUSTANG RDR"Y"CABLE D-J DEUTS. |
| 26006903 | 1 | MUSTANG RDR"Y"CABLE MAG.PHILIP |
| 26008303 | 1 | MICRO TRAK PLUG KIT - 2 PIN |
| 26008403 | 1 | MICRO TRAK PLUG KIT - 3 PIN |
| 26008503 | 1 | MICRO TRAK PLUG KIT - 7 PIN |
| 26016703 | 1 | MUSTANG 3500/39PIN SC MODULE |
| 28026403 | 1 | KNOB, MUSTANG CONSOLE MOUNT |
| 74005403 | 1 | FOOT SWITCH FOR MUSTANG 3500 |



M0120



| parts-n° | order qty | description |
|----------|-----------|-----------------------------------|
| 145062 | 1 | ROTOR SHAFT |
| 147700 | 1 | STUD BOLT M8 X 158MM |
| 147701 | 1 | NUT HEX M8 STAINLESS L=16 |
| 160695 | 1 | BRACKET F.SENSOR |
| 160711 | 1 | BRACKET FOR FLOW METER |
| 178975 | 1 | MOUNT BRACKET F. SPEED SENSOR |
| 179767 | 1 | FLOW SENSOR MOUNTING BRACKET |
| 240951 | 1 | O-RING D21.2X3 NITRIL |
| 241673 | 1 | O-RING D22.1X1.6 |
| 261093 | 1 | SPADE F.ELEC.WIRE DK 2.8X0.8 |
| 270211 | 1 | FITT.DK S25 FORK L=37.5 |
| 320283 | 1 | FITT.DK NUT 3/4"BSP |
| 332205 | 1 | O-RING D43/39XD2 |
| 333561 | 1 | FITT.DK ELB.1" EC RETURN |
| 334558 | 1 | NUT HEX PLASTIC INSERT |
| 410362 | 1 | BOLT HEX 8.8 SS M6X20 |
| 410546 | 1 | BOLT HEX M6X12 A2 SS DIN933 |
| 420582 | 1 | BOLT HEX 8.8 DEL M8X20 FT A2 |
| 440675 | 1 | SCREW F. PLASTIC 5X16 SS |
| 440677 | 1 | SCREW F. PLASTIC 5X20 SS |
| 460261 | 1 | NUT HEX M6X1.00 LOCK DIN985 A2 SS |
| 460364 | 1 | NUT HU M8 A2 SS DIN934 |
| 471125 | 1 | WASHER M6U 6.4X14X1.2,A2 SS |
| 637761 | 1 | ROTOR F.FLOWMETER - PILOT |
| 717426 | 1 | FITT.DK REDUC 1/4"BSP F.3/4"N |
| 722525 | 1 | MONITOR MAGNETS SET OF 8PCS |
| 842020 | 1 | HP FLOW METER EC 2-30 GPM |
| 842021 | 1 | HP FLOW METER ESC 2-30 GPM |
| 842022 | 1 | HP PRESS. TRANSDUCER 0-150 PSI |
| 842088 | 1 | HP FLOW METER EC 4-70 GPM |
| 842098 | 1 | HP FLOW METER ESC 4-70 GPM |
| 842191 | 1 | HP FLOW METER BK/EVC 2-30 GPM |
| 983068 | 1 | ELEC. CABLE 3 WIRE X .25MM HP |
| 10612603 | 1 | KIT PLUG 6 PIN F.PILOT MONITOR |
| 26005503 | 1 | SPEED SENSOR/CABLE ASSY PROX |
| 26005703 | 1 | *SPEED SENS ADPT CBLE W PULLUP |
| 26007200 | 1 | CABLE 3POL AMP FEMALE L13M |
| 39001203 | 1 | THREAD PLST 1/2-13UNCXM6X1L=1" |
| 46000803 | 1 | NUT, 1/2-13 THIN |
| 72098400 | 1 | SPEED SENSOR W/CABLE 10000MM |
| 72117500 | 1 | FLOW SENSOR - M.AMP L=1M |
| 72156500 | 1 | HP FLOW METER PIN 4-70 GPM 20Ø |
| 84207903 | 1 | FLOW METER,2-30 GPM,S67,CAL |
| 84208003 | 1 | FLOW METER,4-70 GPM,S67,CAL |
| 84208103 | 1 | FLOW METER,20-160 GPM,S67,CAL |