

COMMANDER *plus* SPB/SPC

Instruction book

670828-GB-2002/04

We congratulate you for choosing a HARDI plant protection product. The reliability and efficiency of this product depend upon your care. The first step is to carefully read and pay attention to this instruction book. It contains essential information on the efficient use and long life of this quality product.



As this instruction book covers all COMMANDER Plus SPB models and all COMMANDER Plus SPC models, please pay attention to the paragraphs dealing with precisely your model.

This book is to be read in conjunction with the „Spray Technique“ book.

More information about the COMMANDER Plus can be found on the product's own website at: <http://www.commander-plus.com>

Illustrations, technical information and data in this book are to the best of our belief correct at the time of printing. As it is HARDI INTERNATIONAL A/S policy permanently to improve our products, we reserve the right to make changes in design, features, accessories, specifications and maintenance instructions at any time and without notice. HARDI INTERNATIONAL A/S is without any obligation in relation to implements purchased before or after such changes.

HARDI INTERNATIONAL A/S cannot undertake any responsibility for possible omissions or inaccuracies in this publication, although everything possible has been done to make it complete and correct.

As this instruction book covers more models and features or equipment, which are available in certain countries only, please pay attention to paragraphs dealing with precisely your model.

Published and printed by HARDI INTERNATIONAL A/S

Table of Contents

Declaration of Conformity	4	Electrical operated MANIFOLD valves (if fitted)	35
Operator safety	5	Quick reference	35
COMMANDER plus	6	Filling of water	35
Sprayer use	8	Filling of rinsing tank (if fitted)	37
Unloading the sprayer from the truck	8	Filling of clean water tank	38
Before putting the sprayer into operation	8	Adjustment of EVC operating unit	38
Connecting the sprayer	9	Filters	39
Drawbars	9	Self-cleaning filter	39
Fixed drawbar	10	Choice of correct restrictor	39
STEERING drawbar	10	Filling of chemicals	40
SELF TRACK for COMMANDER 2200/2800	10	Use of rinsing tank and rinsing nozzles (if fitted)	42
AUTO TRACK	10	Technical Residue	43
Transmission shaft	11	Draining a residue	43
Operator safety	11	Using the drain valve	43
Installation of transmission shaft	11	Using the suction quick coupler	43
Track gauge	13	Operation of the drain valves	43
Altering the track gauge	13	Rinsing tank	44
Adjustment ranges - track width	14	Spray Technique - see separate book	44
Turning rim and rim plate	16	Safety precautions	44
Permitted rim positions	16	Personal protection	44
Extension Kit for centre section	17	Adjustable Agitation Valve	45
Mounting instructions for extension kit	17	Function	45
Hydraulic systems	18	Assembly	45
Indirect Acting Hydraulic system (I.A.H.)	18	Operating	45
Hydraulics - joystick handle (type Z only)	18	By-pass	45
Installation of handle	18	HARDI CIRCULATION SYSTEM	46
Installation of control box	19	Description	46
Control box - EVC operating unit	19	Function	46
Brakes	20	Operating	47
Emergency and parking brake (if fitted)	20	Use of rinsing tank and rinsing nozzles	47
Hydraulic activated brakes (if fitted)	20	Maintenance - rules of thumb	48
Air activated brakes (if fitted)	20	Cleaning the sprayer	48
Single-line brakes (if fitted)	21	Cleaning the tank	48
Dual-line brakes (if fitted)	21	Cleaning and maintenance of filters	49
Counter weight (TRACKER models only)	22	Lubrication	50
Transport	23	About lubricants	50
Roadworthiness	23	Lubrication & oiling plan	51
Rear lights (if fitted)	23	Service and Maintenance intervals	56
Stop wedges (if fitted)	23	10 hours service	56
Transport brackets, height setting	23	50 hours service	56
Transport lock	24	100 hours service	56
Adjusting boom transport position	24	250 hours service	56
Driving Technique	25	1000 hours service or yearly	56
STEER TRACK and SELF TRACK	25	Occasional maintenance	57
STEER TRACK (certain models only)	25	Off-season storage	76
SELF TRACK	26	Preparing the sprayer for use after storage	76
AUTO TRACK	26	Operational problems	77
Equipment - Standard and Additional	27	TRACKER damping system	77
Ladder	27	Liquid system	78
Platform	27	Hydraulic system	79
Tank level indicator	27	Mechanical problems	80
Large storage Locker (if fitted)	27	EVC Operating unit	81
Small storage Locker (if fitted)	27	Emergency operation of the sprayer	81
Front Locker (if fitted)	27	Technical specifications	82
Boom and Work lights (if fitted)	28	Overall dimensions	82
Selector switch	28	Weight	82
Connection box	28	Pump capacity	85
Crop protection Kit (if fitted)	29	Filters and nozzles	86
Mudguards (if fitted)	30	Temperature and pressure ranges	86
Disconnecting the sprayer	31	Brakes	86
Operating the boom	32	Materials and recycling	86
Speed regulation of the hydraulic boom movements	32	Disposal of the sprayer	86
Unfolding and folding the SPB-Y and SPC-Y boom	32	Conversion factors, SI to Imperial units	86
Unfolding and folding the SPB-Z and SPC-Z boom	33	Electrical connections	86
Folding one side only	33	Electrical connections for EVC operating unit	87
Hydraulic slanting control for both SPB-Y/SPB-Z and SPC-Y/SPC-Z (optional equipment)	33	Electrical chart (EVC)	88
Operating the liquid system	34	Boom hydraulic SPB-Y, SPC-Y	89
MANIFOLD SYSTEM	34	Boom hydraulic SPB-Z, SPC-Z	89
Use of MANIFOLD valve system	34	Installation instruction for boom and work light	90
		Electrical specifications for Boom and Work light	91
		Subject Index	92

CE Declaration



Declaration of Conformity

Manufacturer,

HARDI INTERNATIONAL A/S
Helgeshøj Allé 38
DK 2630 Taastrup
DENMARK

Importer,


declare that the following product;

A. was manufactured in conformity with the provisions in the COUNCIL DIRECTIVE of 14 June 1989 on mutual approximation of the laws of the Member States on the safety of machines (89/392/EEC as amended by directives 91/368/EEC and 93/368/EEC) with special reference to Annex 1 of the Directive on essential safety and health requirements in relation to the construction and manufacture of machines.

B. was manufactured in conformity with the current standards implementing harmonised standards in accordance with Article 5 (2) and other relevant standards.

Taastrup, March 2002

Lars Bentsen
Product Development Manager
HARDI INTERNATIONAL A/S

Adhere extra shipping package labels in the  *Product Identification Certificate.*

Safety notes

Operator safety



Watch for this symbol. It means **WARNING, CAUTION, NOTE**. Your safety is involved so be alert!

Note the following recommended precautions and safe operating practices.



Read and understand this instruction book before using the equipment. It is equally important that other operators of this equipment read and understand this book.



Local law may demand that the operator is certified to use spray equipment. Adhere to the law.



Pressure test with clean water prior to filling with chemicals.



Wear protective clothing.



Rinse and wash equipment after use and before servicing.



Depressurize equipment after use and before servicing.



Never service or repair the equipment while it is operating.



Disconnect electrical power before servicing.



Always replace all safety devices or shields immediately after servicing.



If an arc welder is used on the equipment or anything connected to the equipment, disconnect power leads before welding. Remove all inflammable or explosive material from the area.



Do not eat, drink or smoke while spraying or working with contaminated equipment.



Wash and change clothes after spraying.



Wash tools if they have become contaminated.



In case of poisoning, immediately seek medical advice. Remember to identify chemicals used.



Keep children away from the equipment.



Do not attempt to enter the tank.



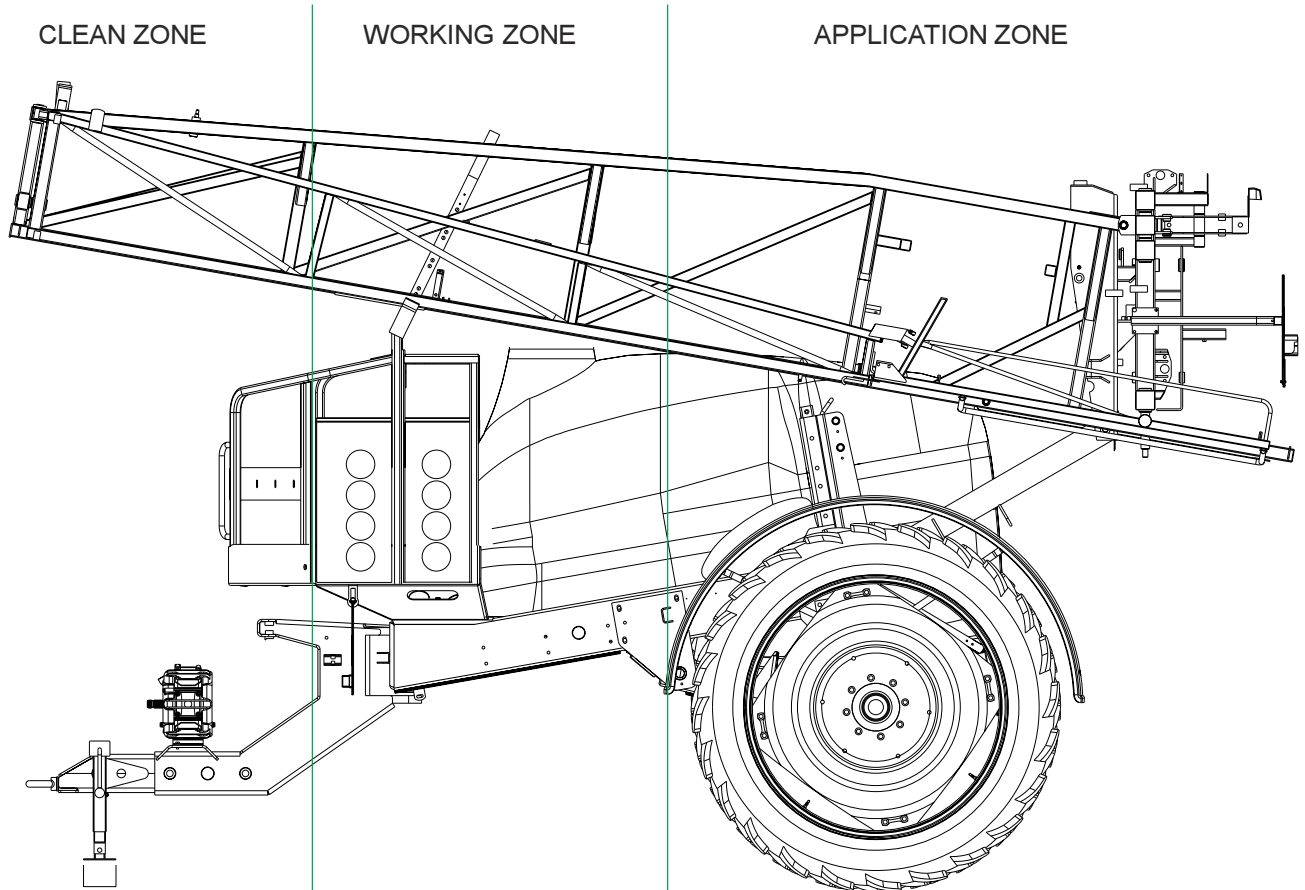
Do not go under any part of the sprayer unless it is secured. The boom is secure when placed in the transport brackets.

If any portion of this instruction book remains unclear after reading it, contact your HARDI dealer for further explanation before using the equipment.

Description

COMMANDER plus

The COMMANDER plus is divided into three zones: a Clean zone, a Working zone and an Application zone, referring to the level of possible pesticide contamination.



T271-0012

Locker for protective gear

Clean water tank

Tap for hand washing

Support leg

Pump

P.T.O. shaft

Tank level indicator

MANIFOLD valves

Couplers for fast filling

Working platform with ladder

Hydraulic and electric components

Boom and Work lights

HARDI FILLER

Lockers for pesticide containers and equipment

PARALIFT boom lift system

Boom

Nozzles

Mudguards

Suspension

Crop Protection Kit

Please note that some of the features are optional equipment

Description

Description

Frame

Strong and compact frame with several options of drawbars and wheel sizes. The frame has a strong chemical and weather resistant electrostatic lacquer coat. Screws, nuts, etc. have been DELTA-MAGNI treated to be resistant to corrosion.

Tank

UV-resistant Polyethylene in a suitable design with no sharp corners for easy agitation, emptying and cleaning. Nominal contents 2200, 2800, 3200 or 4200 l.

Pump

Diaphragm pump with 6 diaphragms, model 363 or 463, depending on boom width, with easily accessible valves and diaphragms. Standard = 540 r.p.m. (6 splines) Optional = 1000 r.p.m. (21 splines).

MANIFOLD SYSTEM

All functions of the spray circuits are operated via the centrally situated MANIFOLD valves with colour coded plates and pictorial symbols for easy operation.

Operating unit

The system is based on EVC - Electrical Valve Control. The on/off is linked to the section valves, which is resulting in a very quick response to on/off.

The operating unit is constructed of modules and is electrically controlled via a remote control box.

The built-in HARDI-MATIC ensures a constant volume per hectare of the liquid (l/ha) at varying forward speed within the same gear when the number of P.T.O. revolutions are between 300-600 r.p.m. (pump 540 r.p.m) or 650-1100 r.p.m. (pump 1000 r.p.m.).

Filters

With the self-cleaning filter the impurities that exist in the spray liquid will bypass the filter and be recirculated back to the tank via the return flow. Also suction filter and nozzle filters are standard. In-line pressure filters can be fitted as option.

Boom

The SPB boom is available in 15, 18, 20 and 21 m working width.

The SPC boom is available in 24, 27, 28 and 30 m working width.

Outer sections incorporate spring loaded breakaway.

Both the SPB boom and the SPC boom are available in two different hydraulic system versions – both equipped with I.A.H. (Indirect Acting Hydraulics) and named:

1. SPB-Y & SPC-Y

These type of booms are operated via the tractor hydraulics. These models feature hydraulic lift cylinder for boom height adjustment and two cylinders for simultaneous boom wing fold and unfold.

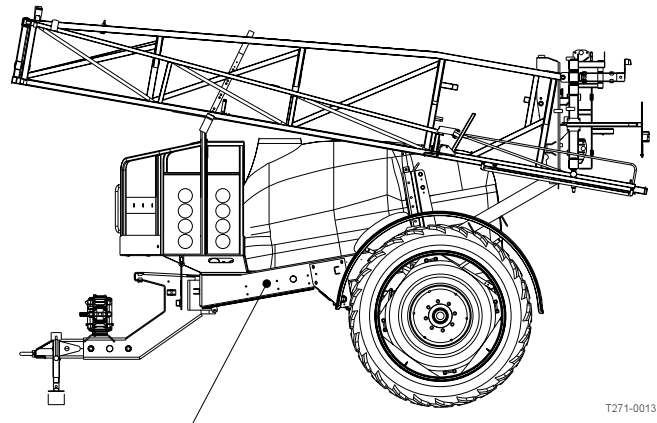
2. SPB-Z & SPC-Z

These type of booms have the same features as the above mentioned Y-models, but are provided with more advanced hydraulics. SPB-Z and SPC-Z also have two boom wing tilt cylinders that give the ability to obtain individual boom wing tilt as well as individual boom wing fold.

The hydraulics on the SPB-Z and SPC-Z are controlled via a joystick or via a hydraulic control box.

Identification plates

An identification plate fitted on the frame indicates producer name, model, own weight, max. weight, max. pressure of the hydraulic system, and max. pressure of the spray liquid system. Frame, boom centre frame, and inner/outer sections also have identification plates indicating boom type and part number of spare parts. If ordering spare parts, inform your dealer of these, so the right model and version are described.



T271-0013

Model	Year	Net weight, excl. oil and water	Max. weight
220/95 044	154 MB	4650 kg	5510 kg
220/95 048	175 MB	4790 kg	5710 kg
220/95 044	180 MB	5050 kg	6010 kg
220/95 048	182 MB	5330 kg	6300 kg
17,486	185 MB	6380 kg	6500 kg

HARDI INTERNATIONAL A/S
HELGESHOJ ALLE 38, DK-2630 TÅSTRUP, DENMARK

Model: _____

Serial no.: _____

Technical specifications: see the Users Instruction Manual

HARDI INTERNATIONAL A/S
HELGESHOJ ALLE 38, 2630 TÅSTRUP, DENMARK

Type: 637671

Zul. Gesamtgewicht: 6500 kg
Zul. Stützlast: 1350 kg

D-Wert: [24, 9] kN Max. Geschwindigkeit: 25 km/h

(Certain countries only)

Description

Sprayer use

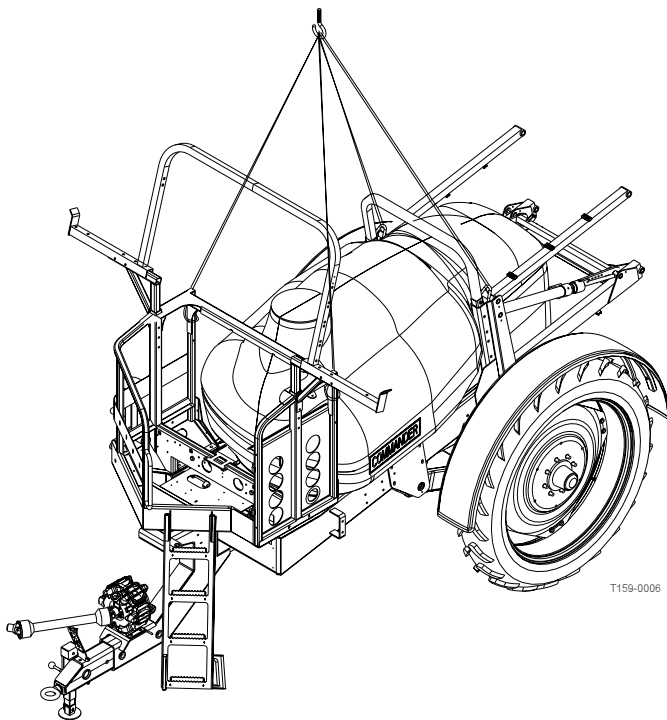
The HARDI COMMANDER sprayer is for the application of crop protection chemicals and liquid fertilisers.

The equipment must only be used for this purpose. It is not allowable to use the sprayer for other purposes.

If no local law demands that the operator must be certified to use the spray equipment, it is strongly recommended to be trained in correct plant protection and in safe handling of plant protection chemicals to avoid unnecessary risk for persons and the environment when doing the spray job.

Unloading the sprayer from the truck

For the unloading of the sprayer a crane or a fork lift is needed. When loading with a crane please observe the lifting points as shown on the illustration, and make sure that the straps or belts used for lifting are strong enough.



Before putting the sprayer into operation

Although the sprayer has been applied with a strong and protective surface treatment on steel parts, bolts etc. in the factories, it is recommended to apply a film of anticorrosion oil (e.g. CASTROL RUSTILLO or SHELL ENSIS FLUID) on all metal parts in order to avoid chemicals and fertilisers discolouring the enamel.

If this is done before the sprayer is put into operation for the first time, it will always be easy to clean the sprayer and keep the enamel shiny for many years.

This treatment should be carried out every time the protection film is washed off.

Sprayer setup

Connecting the sprayer

Drawbars

Mounted on the chassis in a centre pivot, the drawbar can be either standard fixed or optionally steered. Steering can be hydraulically operated or it can be automatically controlled (AUTO TRACK).

Overview - Drawbar systems

COMMANDER	FIXED DRAWBAR	STEERING DRAWBAR	AUTO TRACK	SELF TRACK
2200/2800	Yes	Yes	Yes	Yes
3200/4200	Yes	Yes	Yes	No

035

Following drawbar extensions are available. The drawbar extensions are available - steering or fixed - for both high and low tractor hitch points. Each drawbar is available in a long or a short version.

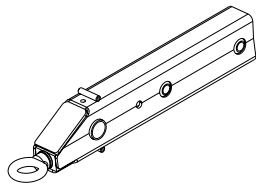
Overview - Drawbar extensions

Drawbar extensions	COMMANDER 2200/2800	COMMANDER 3200/4200
	HIGH and LOW hitch	HIGH and LOW hitch
Swivel type Ø33	No	Yes
Swivel type Ø36	Yes	No
Zugmaul Ø40	Yes	Yes
Hitch Ø50 (ISO 5692)	Yes	Yes

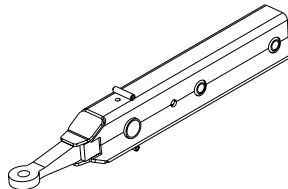
All drawbars are available in a long and a short version

034

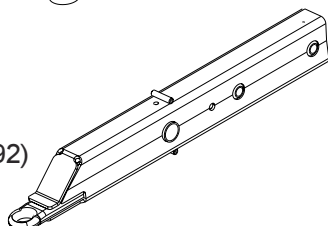
Swivel type



Zugmaul



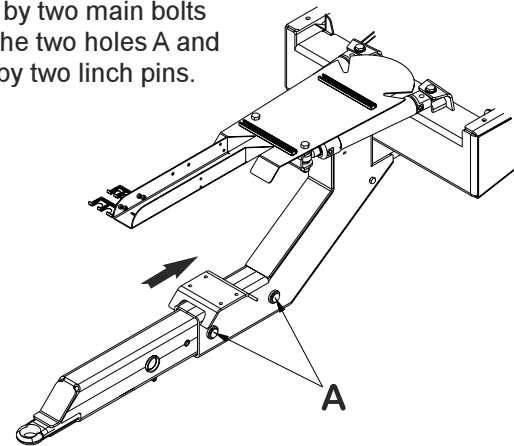
Hitch (ISO 5692)



T251-0026

Mounting the drawbar extension

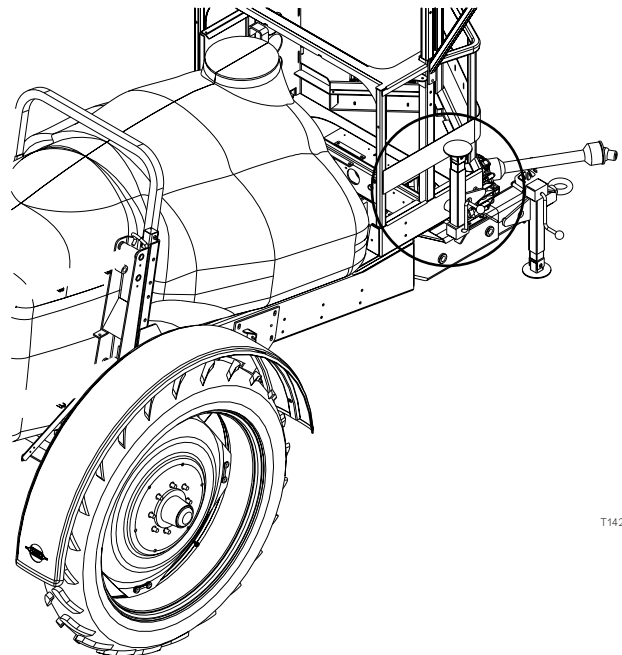
The extension piece is inserted into the opening of the drawbar, fastened by two main bolts through the two holes A and secured by two linch pins.



T251-0024

Support leg

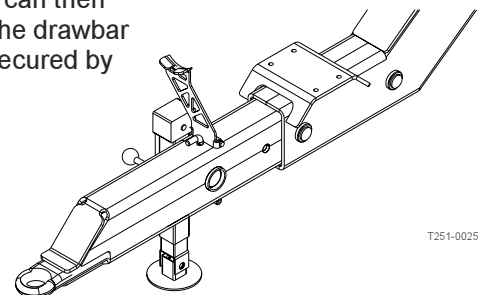
The support leg is stored in the bracket on the sprayer's right side when the sprayer is attached to the tractor.



T142-0034

To remove the support leg: Lift the leg, remove the linch pin and pull out the support leg.

The support leg can then be mounted to the drawbar extension and secured by linch pin.

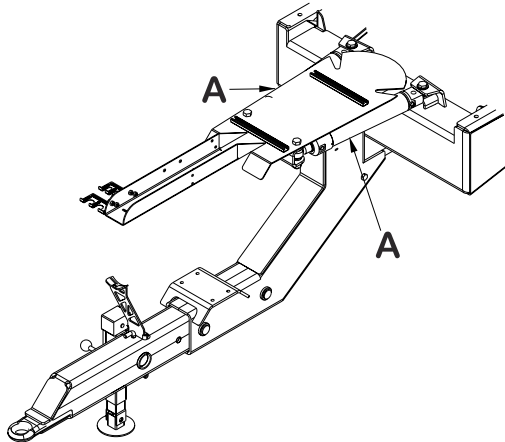


T251-0025

Sprayer setup

Fixed drawbar

Make sure the drawbar points straight ahead from its position on the trailer. If not, the two turn buckles **A** can be adjusted till the drawbar is centred.



T251-0012

STEERING drawbar Transport lock (if fitted)

The transport lock is a safeguard that will keep the drawbar in a centred position in case of hydraulic leakage during transport on public roads.

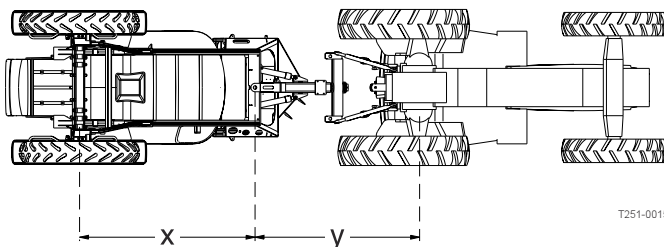
The transport lock is fixed by linch pins.

If necessary, the transport lock can be adjusted by turning the turnbuckle.

SELF TRACK for COMMANDER 2200/2800

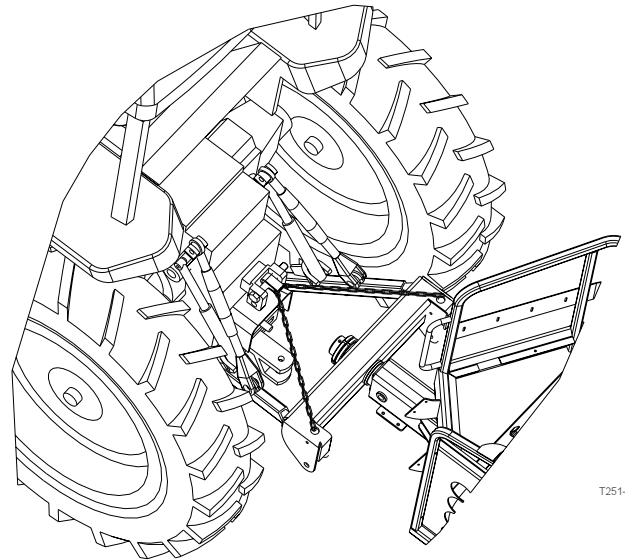
SELF TRACK is connected as follows:

1. Attach the tractor lower links in the two mountings of the SELF TRACK. Adjust the length of the drawbar if necessary - to obtain the best tracking, choose the setting where the distance X is equal to distance Y . Secure with linch pins.



T251-0015

2. Attach safety chains to top link clevis. The chain will prevent the transmission shaft from being damaged if the lift arms are lowered too far. Adjust the chain length so the chains are tight when the tractor P.T.O. and pump shaft are in a horizontal line.



T251-0016

NOTE! If possible, lock the tractor hydraulic lever when the lift arms are in the correct position to avoid the sprayer weight resting on the stabiliser chains.

3. Tighten the lift arm stabiliser chains.



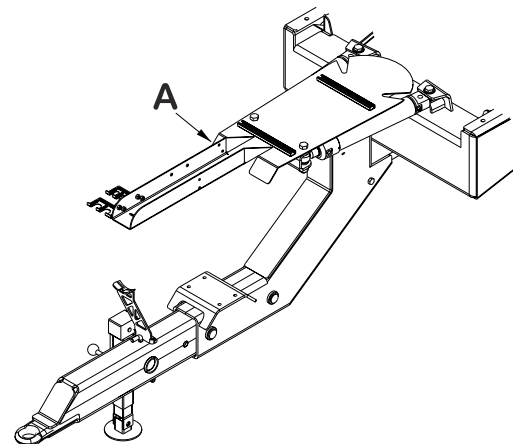
WARNING! Do not stand in the area around the drawbar during manoeuvring.

AUTO TRACK

Please refer to separate instruction book.

Hose package support

To prevent hoses and wiring from being damaged by the tractor wheels, all hoses, cables and wires are held by the hose bracket **A** fitted to the drawbar.



T251-0023

Check that the length of the hoses and cables are sufficient by tight turns.

Sprayer setup

Transmission shaft

Operator safety

To avoid accidents and personal injuries, note the following recommended precautions and safe operation practices.

1. Always STOP ENGINE before attaching the transmission shaft to tractor P.T.O. - most tractor P.T.O. shafts can be rotated by hand to facilitate spline alignment, when engine is stopped.
2. When attaching the shaft, make sure that the snap lock is FULLY ENGAGED - push and pull shaft until it locks.



WARNING! ROTATING TRANSMISSION SHAFTS WITHOUT PROTECTION GUARDS ARE FATAL.

3. Always keep protection guards and chains intact and make sure that it covers all rotating parts, including CV-joints at each end of the shaft. Do not use without protection guard.
4. Do not touch or stand on the transmission shaft when it is rotating - safety distance: 1.5 meter.
5. Prevent protection guards from rotating by attaching the chains allowing sufficient slack for turns.
6. Make sure that protection guards around tractor P.T.O. and implement shaft are intact.
7. Always STOP ENGINE and remove the ignition key before carrying out maintenance or repairs to the transmission shaft or implement.

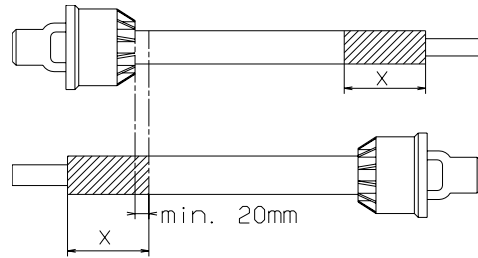
Installation of transmission shaft

First installation of the transmission shaft is done in the following way:

1. Attach sprayer to tractor and set sprayer height in the position with shortest distance between the tractor and sprayer pump P.T.O. shafts.
2. Stop engine and remove ignition key.
3. If transmission shaft must be shortened, the shaft is pulled apart.

Fit the two shaft parts at tractor and sprayer pump and measure how much it is necessary to shorten the shaft.

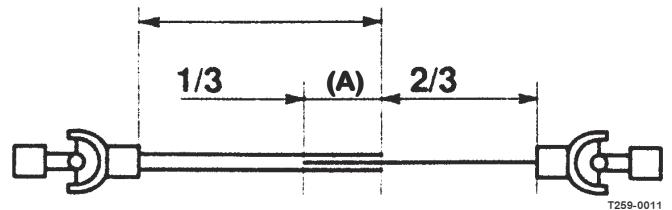
Mark the protection guards.



NOTE! The shaft must always have a minimum overlap. The size of this overlap depends on the pump model:

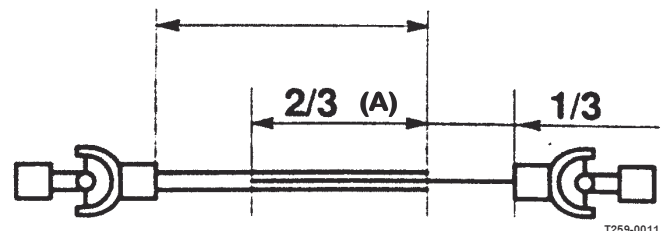
Pump with 6 splines/540 r.p.m.

The shaft must always have an overlap (A) of minimum 1/3 of the length.

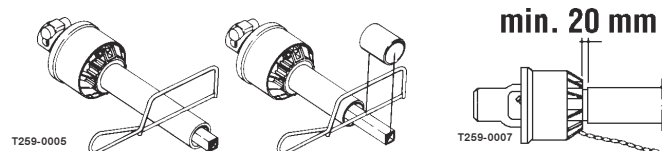


Pump with 21 splines/1000 r.p.m.

The shaft must always have an overlap (A) of minimum 2/3 of the length.



4. The two parts are shortened equally. Use a saw, and file the profiles afterwards to remove burrs.

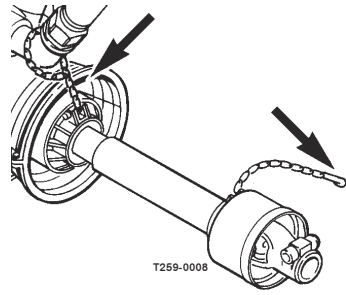


5. Grease the profiles and assemble male and female parts again.
6. Fit the shaft to tractor P.T.O. and sprayer pump shaft.

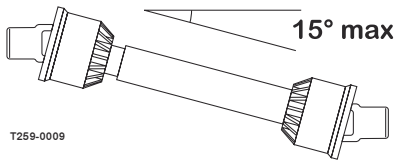
NOTE! Female part marked with a tractor towards tractor!

Sprayer setup

7. Fit the chains to prevent the protection guards from rotating with the shaft.



8. To ensure long life of the transmission shaft, try to avoid working angles greater than 15°.



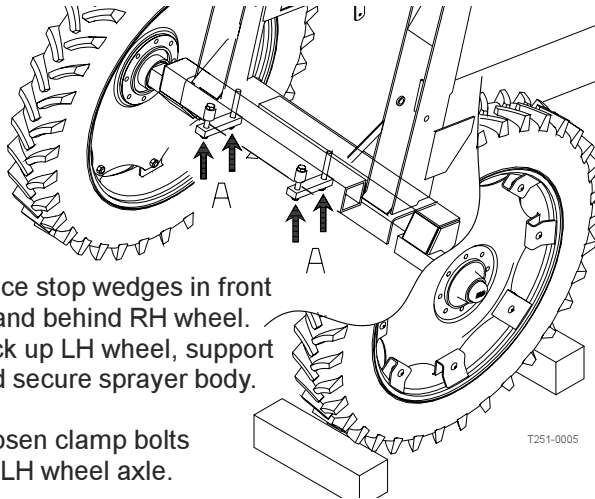
Sprayer setup

Track gauge

Altering the track gauge

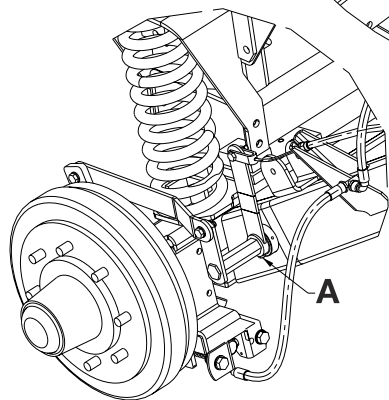
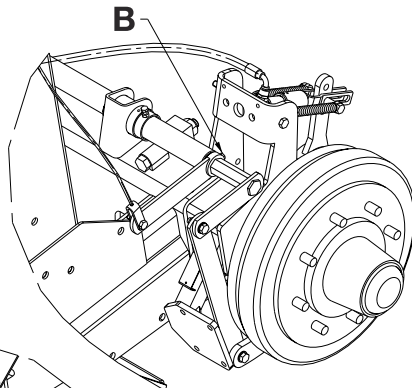
The track gauge of the COMMANDER can be altered stepless as follows,

1. Measure the current track gauge (centre RH tyre to centre LH tyre). Each side must be extended or retracted half the desired alteration.
2. Attach the sprayer to tractor and engage tractor parking brake.



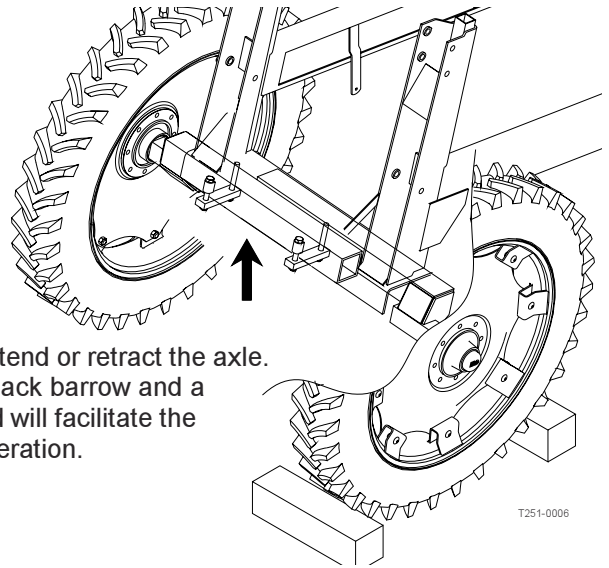
3. Place stop wedges in front of and behind RH wheel. Jack up LH wheel, support and secure sprayer body.
4. Loosen clamp bolts for LH wheel axle.
5. Loosen the nut **B** on the brake operating arm. Extend/retract this arm according to the adjustment of the axle.

COMMANDER without suspension



COMMANDER with suspension

6. Extend or retract the axle. A sack barrow and a rod will facilitate the operation.



7. If the rim position must be changed (described later in this chapter) do this first and fine adjust by extending or retracting the axles. Remember to tighten the wheel nuts to the specified torque:

Rim plate to rim:	280 + 30 Nm (207 + 22 lbft)
Rim plate to hub:	490 Nm (288 lbft)

8. Tighten the clamp bolts to a torque of:

280 Nm (207 lb.ft) for 2200/2800
390 Nm (289 lbft) for 3200/4200.

9. Tighten nut **B** again.

IMPORTANT! Place the jack under the axle and lift the wheel to remove load from the clamps before tightening the clamp bolts to the specified torque.

10. Repeat the procedure on RH wheel.
11. Check the distance from centre tyre to centre of tank frame is equal at RH and LH.
12. Retighten clamp bolts and wheel bolts to specified torque after 8 hours of work.

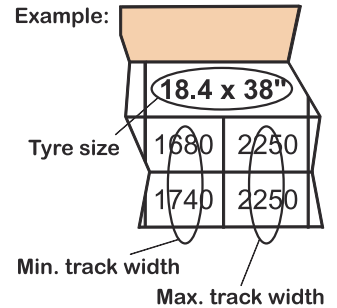
Sprayer setup

Adjustment ranges - track width

The maximum track width for all models is **2250 mm**.

The minimum track width depends on the parameters in the charts beneath and whether the sprayer is equipped with suspended axle - or not. Please refer to the following charts (all figures in mm).

See example for explanation on how to read the charts.



Track width - Sprayers without suspension

CM plus 2200	Tyre size													
Sprayer with:	9.5 x 44"		9.5 x 48"		11.2 x 44"		11.2 x 48"		12.4 x 46"		18.4 x 38"		20.8 x 38"	
Flange hub	1500	2250	1500	2250	1500	2250	1500	2250	1500	2250	1680	2250	1720	2250
Mudguards	1500	2250	1520	2250	1520	2250	1520	2250	1520	2250	1740	2250	1740	2250

050404 chart1

CM plus 2800	Tyre size													
Sprayer with:	9.5 x 44"		9.5 x 48"		11.2 x 44"		11.2 x 48"		12.4 x 46"		18.4 x 38"		20.8 x 38"	
Flange hub	1500	2250	1500	2250	1500	2250	1500	2250	1500	2250	1680	2250	1720	2250
Mudguards	1500	2250	1520	2250	1520	2250	1520	2250	1520	2250	1740	2250	1740	2250

050404 chart2

CM plus 3200	Tyre size													
Sprayer with:	9.5 x 44"		9.5 x 48"		11.2 x 44"		11.2 x 48"		12.4 x 46"		18.4 x 38"		20.8 x 38"	
Flange hub					1820	2250	1820	2250	1820	2250	1820	2250	1820	2250
Mudguards					1820	2250	1680	2250	1820	2250	1820	2250	1820	2250
Alternative (by shortened axles):														
Flange hub					1520	2000	1520	2000	1540	2000	1680	2000	1730	2000
Mudguards					1570	2250	1590	2250	1590	2250	1780	2250	1780	2250

050404 chart3

CM plus 4200	Tyre size													
Sprayer with:	9.5 x 44"		9.5 x 48"		11.2 x 44"		11.2 x 48"		12.4 x 46"		18.4 x 38"		20.8 x 38"	
Flange hub									1820	2250	1820	2250	1820	2250
Mudguards									1820	2250	1820	2250	1820	2250
Alternative (by shortened axles):														
Flange hub									1540	2000	1680	2000	1730	2000
Mudguards									1590	2000	1780	2000	1780	2000

050404 chart4

It is not permitted to fit dual wheels!

IMPORTANT! On TRACKER models a minimum track width of 1800 mm is strongly recommended to ensure stability and to avoid the sprayer from tipping over.

NOTE! The wider the track width is, the better is the stability of the sprayer and boom.

Sprayer setup

Track width - Sprayers with suspension

CM plus 2200	Tyre size													
Sprayer with:	9.5 x 44"		9.5 x 48"		11.2 x 44"		11.2 x 48"		12.4 x 46"		18.4 x 38"		20.8 x 38"	
Flange hub	1800	2250	1800	2250	1800	2250	1800	2250	1800	2250	2020	2250	2060	2250
Mudguards	1800	2250	1800	2250	1800	2250	1800	2250	1800	2250	2020	2250	2060	2250

050404 chart5

CM plus 2800	Tyre size													
Sprayer with:	9.5 x 44"		9.5 x 48"		11.2 x 44"		11.2 x 48"		12.4 x 46"		18.4 x 38"		20.8 x 38"	
Flange hub	1800	2250	1800	2250	1800	2250	1800	2250	1800	2250	2020	2250	2060	2250
Mudguards	1800	2250	1800	2250	1800	2250	1800	2250	1800	2250	2020	2250	2060	2250

050404 chart6

CM plus 3200	Tyre size													
Sprayer with:	9.5 x 44"		9.5 x 48"		11.2 x 44"		11.2 x 48"		12.4 x 46"		18.4 x 38"		20.8 x 38"	
Sprayer with coil spring suspended axle:														
Flange hub					1820	2250	1820	2250	1820	2250	2020	2250	2060	2250
Mudguards					1820	2250	1820	2250	1820	2250	2020	2250	2060	2250
Sprayer with hydraulic suspended axle:														
Flange hub					1820*	2250*	1820*	2250*	1820*	2250*	1820	2250	1820	2250
Mudguards					1820*	2250*	1820*	2250*	1820*	2250*	1820	2250	1820	2250
Sprayer with hydraulic suspended axle (Alternative by shortened axles):														
Flange hub					1520*	2000*	1540*	2000*	1540*	2000*				
Mudguards					1570*	2000*	1590*	2000*	1590*	2000*				

050404 chart7

CM plus 4200	Tyre size													
Sprayer with:	9.5 x 44"		9.5 x 48"		11.2 x 44"		11.2 x 48"		12.4 x 46"		18.4 x 38"		20.8 x 38"	
Sprayer with coil spring suspended axle:														
Flange hub									1820	2250	2020	2250	2060	2250
Mudguards									1820	2250	2020	2250	2060	2250
Sprayer with hydraulic suspended axle:														
Flange hub									1820*	2250*	1820	2250	1820	2250
Mudguards									1820*	2250*	1820	2250	1820	2250
Sprayer with hydraulic suspended axle (Alternative by shortened axles):														
Flange hub									1540*	2000*				
Mudguards									1590*	2000*				

050404 chart8

*Hydraulic suspension in combination with 11.2 and 12.4 tyres is not recommended for boom sizes larger than 24 m.

It is not permitted to fit dual wheels!

IMPORTANT! On models with hydraulic suspended axles a minimum track width of 1800 mm is strongly recommended to ensure stability and to avoid the sprayer from tipping over.

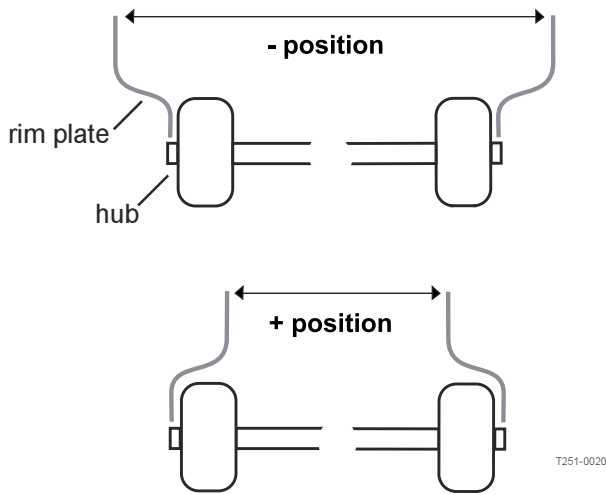
IMPORTANT! On TRACKER models a minimum track width of 1800 mm is strongly recommended to ensure stability and to avoid the sprayer from tipping over.

NOTE! The wider the track width is, the better is the stability of the sprayer and boom.

Sprayer setup

Turning rim and rim plate

Track gauge can be altered by turning rim and rim plate, positions referred to as '+' or '-' position.



Permitted rim positions

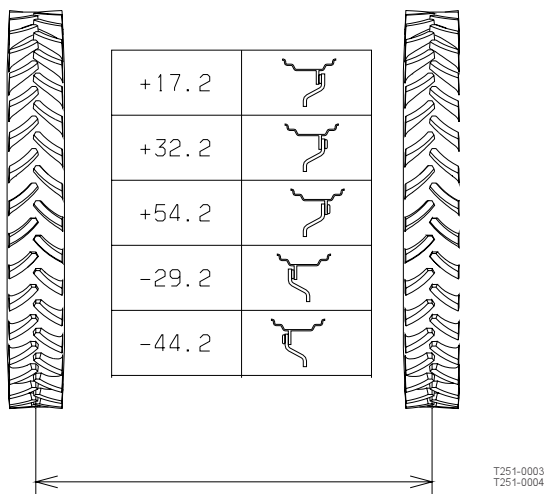


WARNING! When altering track gauge by turning rims and rim plates the maximum permitted offset between centre wheel and hub flange must be observed:

Max offset, hub flange and centre rim:

COMMANDER model	Min. rim offset	Max. rim offset
2200/2800	- 45	+ 55
3200/4200	- 33	+ 55

Overview



IMPORTANT! Tyre sizes **18.4 x 38"** and **20.8 x 38"** are not permitted in any "+ position", only use the "- positions".

Sprayer setup

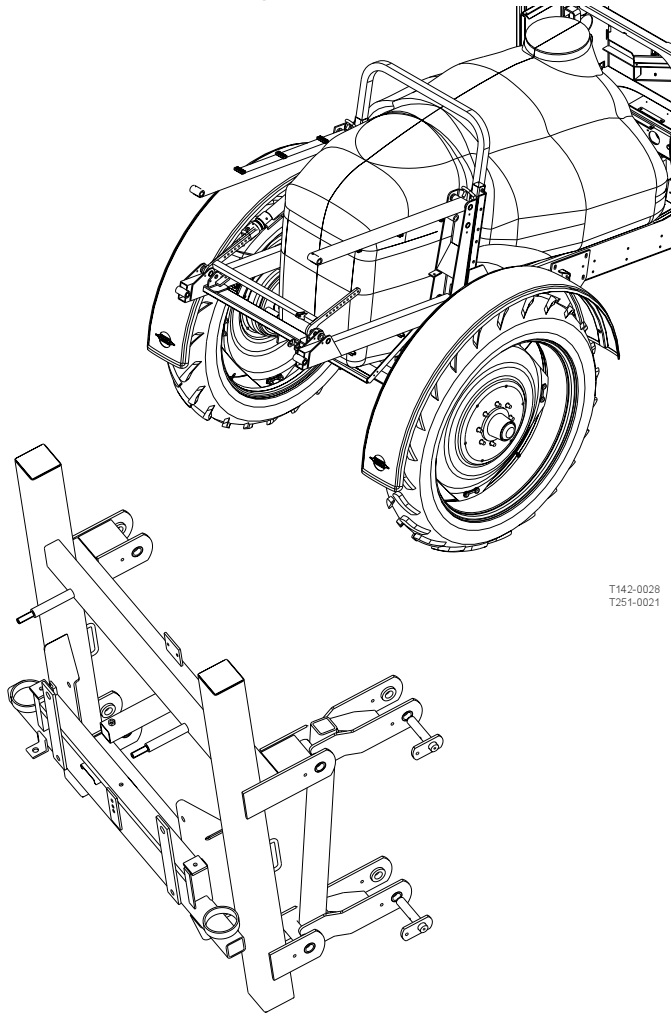
Extension kit for centre section

If the sprayer is fit with large-size tyres, the boom centre section may be in lack of sufficient space in unfolded position.

To obtain sufficient space, an extension kit can be mounted between boom centre section and the paralift. Thereby, the space between centre section and paralift can be increased by approx. 30 cm.

Mounting procedure for extension kit

1. Unfold the boom
2. Secure boom (centre section) by means of a crane.
3. Loosen the 4 bolts which join the paralift and the centre section.
4. Fit the extension bracket **A** by means of the 4 bolts to centre section and paralift.

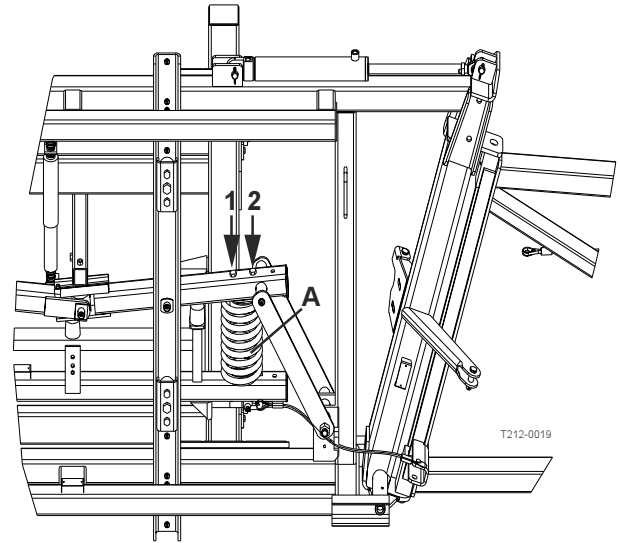


Suspension (SPC only)

The SPC boom features adjustable suspension for 24-28 m booms and 30 m booms.

The spring **A** has two assembly positions as shown on the illustration below. Position **1** is meant for 24-28 m booms and position **2** is meant for 30 m booms.

Please control that the setup of the suspension corresponds to the actual boom width of your sprayer.



Sprayer setup

Hydraulic systems

Indirect Acting Hydraulic system (I.A.H.)

Connection requirements for SPB-Y and SPB-Z are:

- One single acting outlet for the lift function of the spray boom
- One double acting outlet for the folding function

Ensure that snap couplers are clean before connection!

NOTE! The hydraulic system requires a minimum oil pressure of 130 bar, max. oil pressure of 210 bar and an oil capacity of approx. 5 litres. After having operated the boom and the system has been filled with oil, check tractor's hydraulic oil level and top up if necessary.

IMPORTANT! Due to the variation in tractor hydraulic systems and capacities, care should be exercised when initially operating the sprayer hydraulic cylinders. It is advisable to adjust the hydraulic flow control down to the minimum rate before operating the system. Adjust/increase the flow control after the system is bled of any air, if necessary.

Hydraulics - joystick handle (type Z only)

Installation of handle

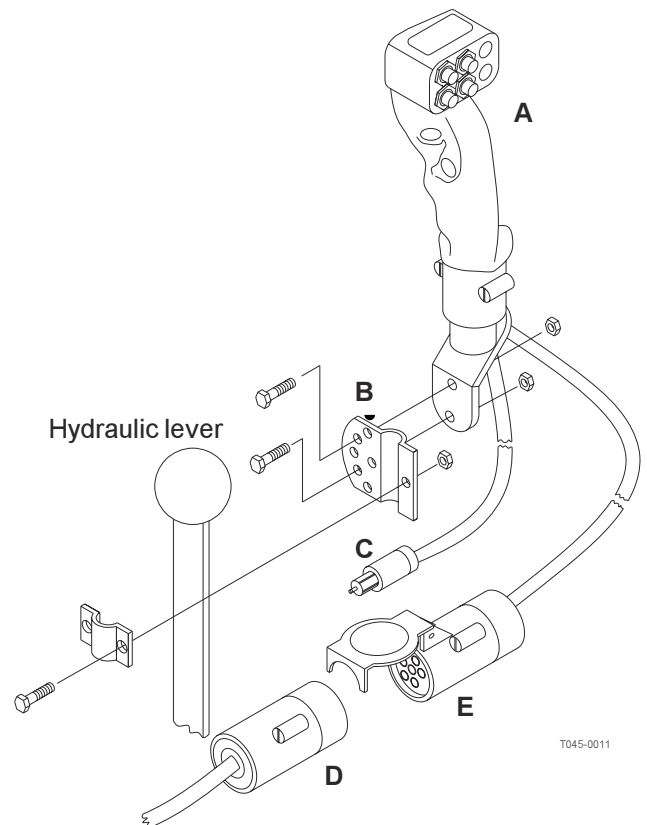
1. Attach the control handle/joystick **A** to the hydraulic lever that operates the double acting outlet to be used. The universal mounting bracket **B** is very flexible and a number of different mounting positions can be used.
2. Connect the plug **C** to the tractor's 12V power system. Try to hook-up the handle as close as possible to the battery power supply. HARDI recommends using an electric distribution box (ref. no. 817925) to ensure a good power supply to various 12V attachments.

Note! Check with your dealer or tractor operator's manual for the best location to hook up the 12V system.

Note polarity:

BROWN wire	= Positive (+)
BLUE wire	= Negative (-)

3. Connect electric plug **D** from sprayer's hydraulics to plug **E** on handle.



T045-0011

Sprayer setup

Hydraulics - control box (type Z only)

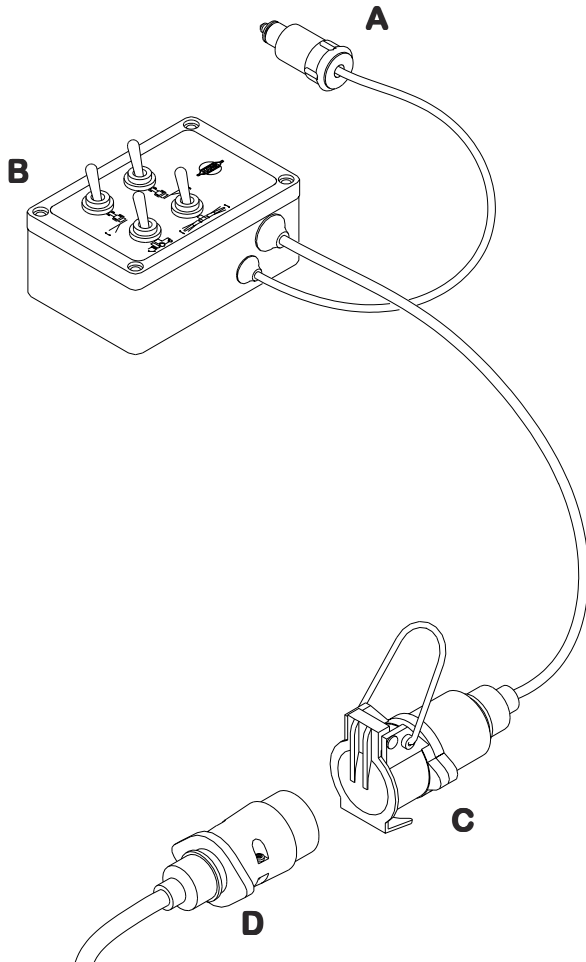
Installation of control box

1. Connect the plug **A** to the tractor's 12V power system.
Try to hook-up the handle as close as possible to the battery power supply. HARDI recommends using an electric distribution box (ref. no. 817925) to ensure a good power supply to various 12V attachments.

Note! Check with your dealer or tractor operator's manual for the best location to hook up the 12V system.

Note polarity: BROWN wire = Positive (+)
 BLUE wire = Negative (-)

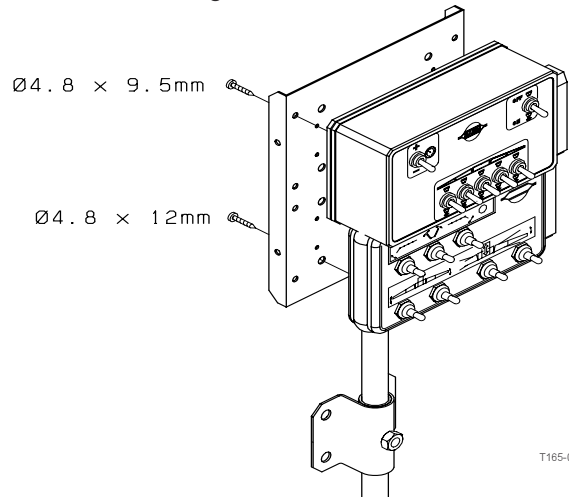
2. Route the cable, with the 7 pins, from the hydraulic mount plate to the tractor.
3. Mount the hydraulic control box **B** in a suitable location in the tractor cabin.
4. Connect the female 7 pin plug **C** from the switch box to the 7 pin male plug **D** from the sprayer.



T045-0010

Control box - EVC operating unit

The control boxes for EVC-operating unit is fitted in the tractor cabin at a convenient place. Tapping screws can be used for mounting.



T165-0013

Power requirement is 12V DC.

Note Polarity: BROWN wire = Positive (+)
 BLUE wire = Negative (-)

The wires must have a cross sectional area of at least 4.0 mm to ensure sufficient power supply. For the EVC-operating unit the tractor circuit should have an 8 Amp fuse.

Use the HARDI Electric distribution box (Ref. no. 817925) if the tractor has a doubtful power supply.

Sprayer setup

Brakes

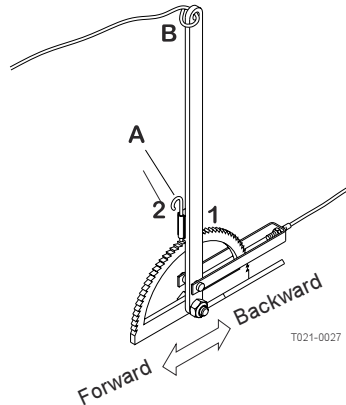
Emergency and parking brake (if fitted)

The parking brake lever has two function modes, which are determined by the small pawl control clip (A).

To change between the two modes, turn the clip.

Pos. 1: The pawl control clip must point away from the pawl.

Pos. 2: The pawl control clip must rest against the pawl.



To disengage the parking brake:

1. Set pawl control clip in pos. 1.
2. Pull the lever a little forward to release the pawl from the ratchet and then push the lever fully backwards.

To engage the parking brake:

1. Set pawl control clip in pos. 2.
2. Pull the lever firmly forwards until parking brake is fully engaged.

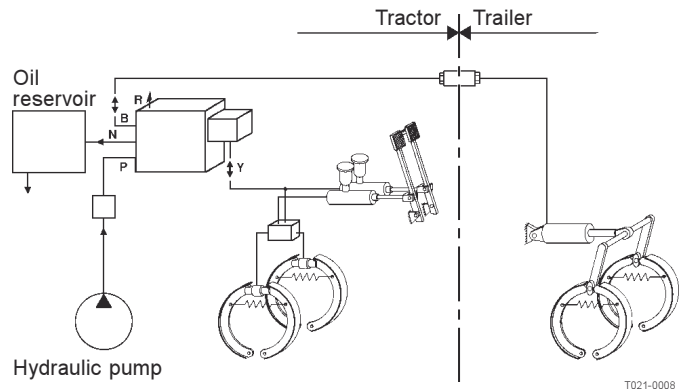
Emergency brake

1. Set pawl clip in pos. 2.
2. Attach the rope from the hole in top of the handbrake lever (B) to e.g. the tractor top link attaching point. If the sprayer is accidentally unhooked during transport the rope will apply the parking brake before the rope breaks.

IMPORTANT! To ensure safe engagement and to avoid damages to the parking brake use rope with an ultimate stress between 690 N (155 lb.) and 785 N (176 lb.).

Hydraulic activated brakes (if fitted)

This requires a special trailer brake valve attached to the tractor hydraulic and brake system. Connect the snap coupler to the tractor brake outlet. When the tractor brakes are applied, the trailer brakes will work proportionally to the tractor brakes, and ensure safe and effective braking.



WARNING! Do not connect the brakes directly to the tractor hydraulics without the brake valve. The trailer brake power cannot be controlled, and braking will therefore be hazardous.

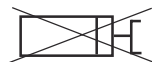
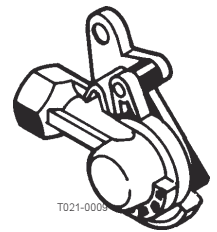
IMPORTANT! Max. oil pressure is 150 bar (2175 p.s.i.) in the brake line.

Relieve parking brake before driving.

Air activated brakes (if fitted)

This system requires a tractor with compressor and air brake system with out-let(s) for trailer brakes.

IMPORTANT! The load apportioning valve must be set at the position corresponding to the load on the trailer, for obtaining optimal air pressure to the trailer brakes.



= Relieved



= Half full tank



= Empty tank

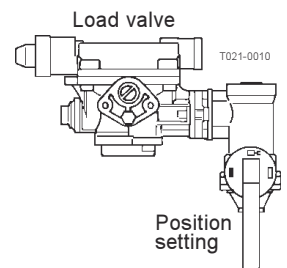


= Full tank



WARNING! Driving with wrong load apportioning valve setting, will make the brakes under- or over-apply, which can cause hazardous situations.

NOTE! If the air hose(s) are disconnected with air in the brake air tank, control pressure will be dumped and the brakes will engage fully. If the sprayer must be moved with air in the tank and without the air hose(s) connected to the tractor, the load apportioning valve must be set at "relieved" to disengage the brakes. Remember to reset the handle to brake position again afterwards. When parking the sprayer, always engage the parking brake, as the air brakes will only be engaged as long as there is air in the tank! Cover the couplings with the dust flaps when hoses are disconnected.



Sprayer setup

Single-line brakes (if fitted)

Flip the snap coupler protection flap away and connect the brake system snap coupler to the tractor outlet (black) and let the compressor fill the sprayer's air reservoir.

Check brake circuit for leaks.

Dual-line brakes (if fitted)

Flip the snap coupler protection flaps away and connect the two snap couplers for supply and control to the tractor outlets, and check brake circuits for leaks.

The couplers are colour coded and secured against incorrect attachment:

Red = Supply line (RH)

Yellow = Control line (LH)

Relieve parking brake before driving

Sprayer setup

Counter weight (TRACKER models only)

To improve stability on TRACKER models, extra weight can be added by means of liquid-filled tyres.

The standard tyre valve is an universal air-water valve.

The tyres can be filled with liquid to max. 75% of their total volume. The table below indicates the 75% volume.

Tyre size	Max. litres of liquid per tyre
9.5 x 44"	101
9.5 x 48"	108
11.2 x 44"	133
11.2 x 48"	144
12.4 x 46"	178
16.9 x 38"	285
18.4 x 38"	390
20.8 x 38"	466

1 litre = 0.264 US Gal. 1 litre = 0.22 Imp. Gal.

Use a mixture of water and CaCl_2 to avoid frost damage as described in table below:

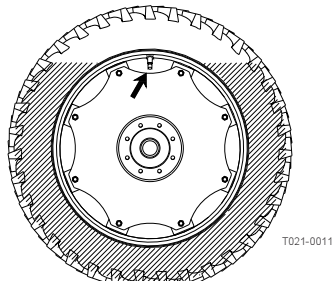
CaCl_2 per litre water	Protection to
200 g (7.1 oz)	-15°C (30.6°F)
300 g (10.6 oz)	-25°C (12.6°F)
435 g (15.4 oz)	-35°C (-5.4°F)

WARNING! It is very important that the CaCl_2 is added to the water and agitated until it is fully dissolved. Never pour water on to CaCl_2 ! If you get CaCl_2 in the eyes, flush instantly with cold water for at least 5 minutes and seek medical advice afterwards.

IMPORTANT! The tyres must be liquid filled to max. 75 % of total tyre volume. Fill only the qty. of liquid necessary to obtain sufficient stability of the sprayer. Do not fill liquid and CaCl_2 mixture in tyres without tubes!

To fill the tyres:

1. Jack up the wheel and rotate wheel till the valve is positioned at "12 o'clock".
2. Remove the valve body and fill liquid until it reaches the valve.
3. When surplus liquid is drained through the valve stem fit the valve body again.
4. Adjust tyre pressure and lower the wheel. (Please refer to table for correct tyre pressure).



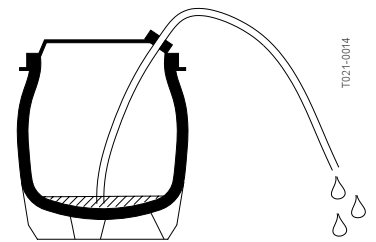
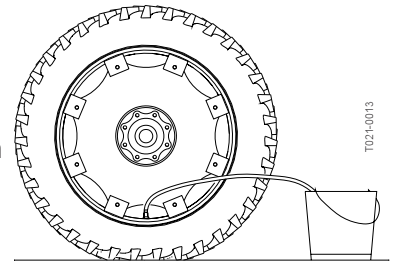
Recommended tyre pressure:

Tyre size RC 95	Recommended inflation pressure in bar (p.s.i.)	Minimum Load Index A8/A2
230/95 R44	3.6 (52)	134/145
230/95 R48	3.6 (52)	136/147
270/95 R44	3.6 (52)	140/151
270/95 R48	3.6 (52)	142/153
300/95 R46	3.6 (52)	147/158
420/85 R38	1.6 (23)	141/152
520/70 R38	1.6 (23)	147/144
580/70 R38	1.2 (18)	154/151

NOTE! When filling the tyres the valve should be positioned at 12 o'clock and when adjusting the tyre pressure, the valve should be positioned at 6 o'clock.

To empty the tyres:

1. Rotate wheel till the valve is positioned at "6 o'clock."
2. Remove the valve body and let out the liquid. Retain liquid in an appropriate container.
3. To empty the tyre completely the tyre is inflated and a thin drain tube is lead to the bottom of the tyre. The air pressure will now empty the remaining liquid.
4. Remove the drain tube, fit the valve and inflate the tyre to specified pressure. See the table "Tyre pressure".



NOTE! Disposal of CaCl_2 has to take place according to local legislation.

Sprayer setup

Transport

Roadworthiness

When driving on public roads and other areas where the highway code applies, or areas where there are special rules and regulations for marking and lights on implements, observe these and equip implements accordingly.

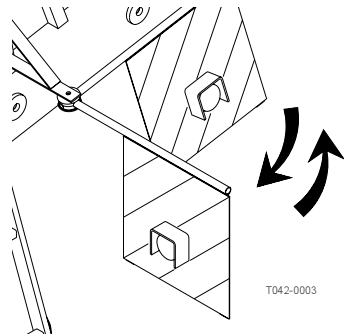
NOTE! Max. driving speed is 25 km/h for models *without* brakes and 40 km/h for models equipped *with* brakes.

Rear lights (if fitted)

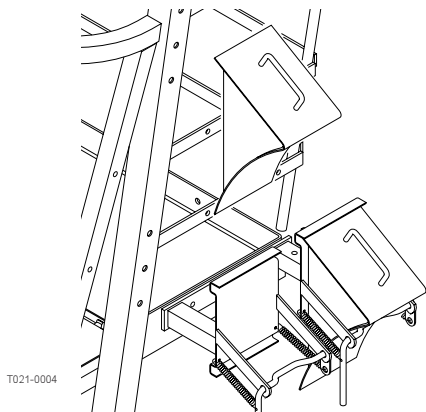
Connect plug for rear lights to the tractor's 7-pin socket, and check function of rear lights, stop lights and direction indicators on both sides before driving.

The wiring is in accordance with ISO 1724. See section on Technical specifications.

Before transport on public roads the front warning boards with position lamps must be folded out (fitted in certain countries only).



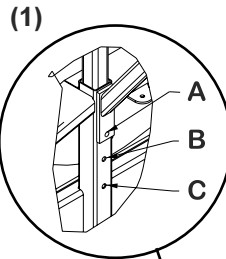
Stop wedges (if fitted)



Transport brackets, height setting

The transport brackets can be set in different positions. Thereby it is possible to obtain different transport heights and suitable clearance above various tractor cabins.

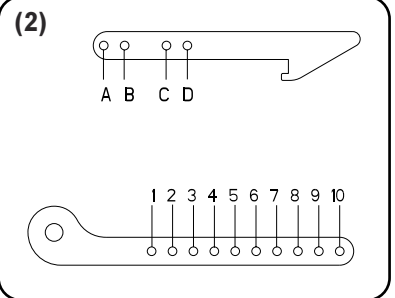
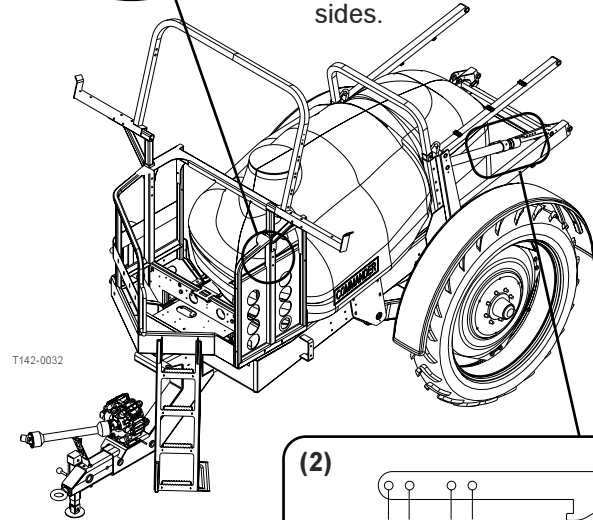
When changing the setting of the transport brackets it is done as a combination of adjusting the transport brackets themselves (1) and adjusting the transport locks (2). Always choose a transport height as low as possible.



1. Transport brackets

The transport bracket can be set at three different positions A, B or C.

Loosen the bolt to change position and replace it according to new setting. The setting must be identical on both sides.



2. Transport lock

To change position:

1. Lift and unfold inner sections till lock is disengaged.
2. Loosen and remove the two bolts, which keep the parts **A** and **B** assembled.
3. Reassemble **A** and **B** according to desired hole combination.

NOTE! Always use both bolts to assemble the lock. The setting must be identical on both sides.

NOTE! The rear settings must correspond to the front settings so the boom is resting on the front as well as rear brackets.



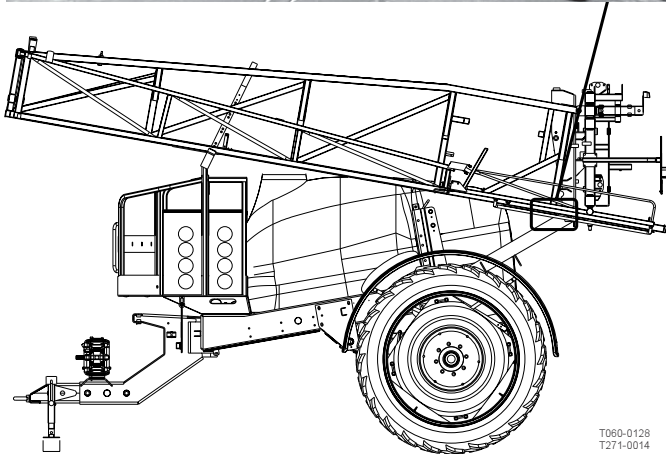
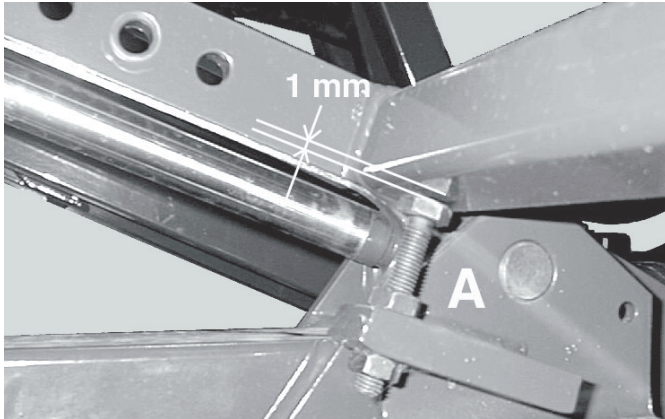
WARNING! The max. transport height must never exceed 4.0 m (13.1 ft.). Always measure the actual total height and choose settings not exceeding 4.0 m.

Sprayer setup

Transport lock

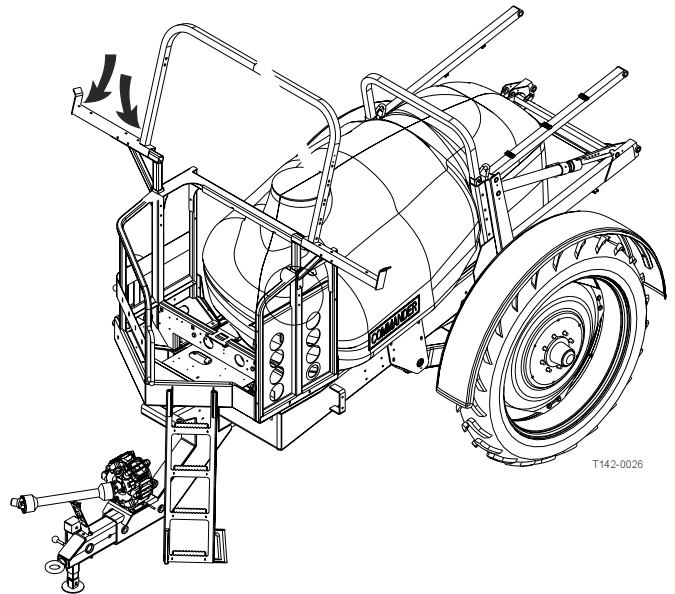
When the boom is unfolded: Inspect the gap between the bolt **A** and the frame. Correct position = 1 mm gap.

If necessary, adjust the position of bolt **A**.

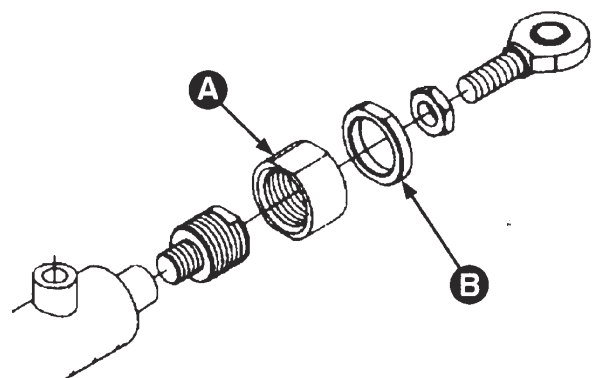


Adjusting boom transport position

If the boom wings do not rest accurately in the transport brackets, the wings can be adjusted as described below:



1. Lift the boom all the way to the top.
2. Fold the boom into transport position. With the fold cylinder pressurized, determine if the boom wings need to be adjusted inwards or outwards.
3. Relieve the pressure from the fold cylinder by unfolding the boom a few centimetres.
4. If the boom rests too far in on the transport brackets, loosen the nut **B** and adjust collar **A** in towards the cylinder housing.
5. If the boom rests too far out on the transport brackets, the collar **A** has to go out from the cylinder housing.
6. Secure jam nut **B**.
7. Pressurize the cylinder to see if the boom is properly adjusted. If not, repeat the above procedure until it is correctly adjusted.



Sprayer setup

Driving Technique

STEER TRACK and SELF TRACK

A trailer with articulating drawbar (TRACKER) behaves differently than a normal trailer.

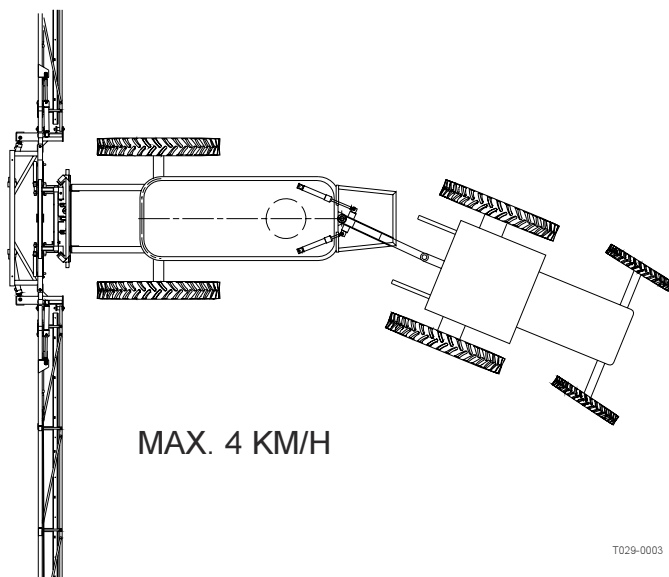
In tracking position the vehicle centre of gravity is displaced further more compared to the vehicle centre line of a normal trailer.

Compared to a conventional trailer a TRACKER has decreased stability when turning, especially when turning on hillsides.

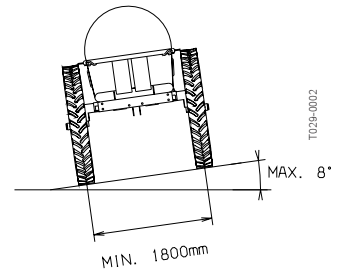
To avoid overbalancing, pay attention to these guidelines:

1. Avoid sudden, tight turns
2. Slow down before entering a curve or turning, and drive with a constant, low speed during the turn.
3. Never slow down too fast, never brake heavily and never stop suddenly in a curve, or when turning on a hillside, when the sprayer is articulated.
4. Be careful when turning on uneven ground
5. Set the track gauge as wide as possible
6. The proper function of the hydraulic damping is essential to obtain good stability
7. Keep stabiliser chains on the tractor's liftarms tight
8. For safety reasons, the following limitations are set for TRACKERS (with unfolded booms):

Speed by turning, max.	4 km/h (2.5 m.p.h.)
Ground inclination by turning, max.	8°
Track gauge, min.	Please see the part "Track gauge"



NOTE! HARDI cannot undertake any responsibility for any damages caused by the sprayer tipping over.



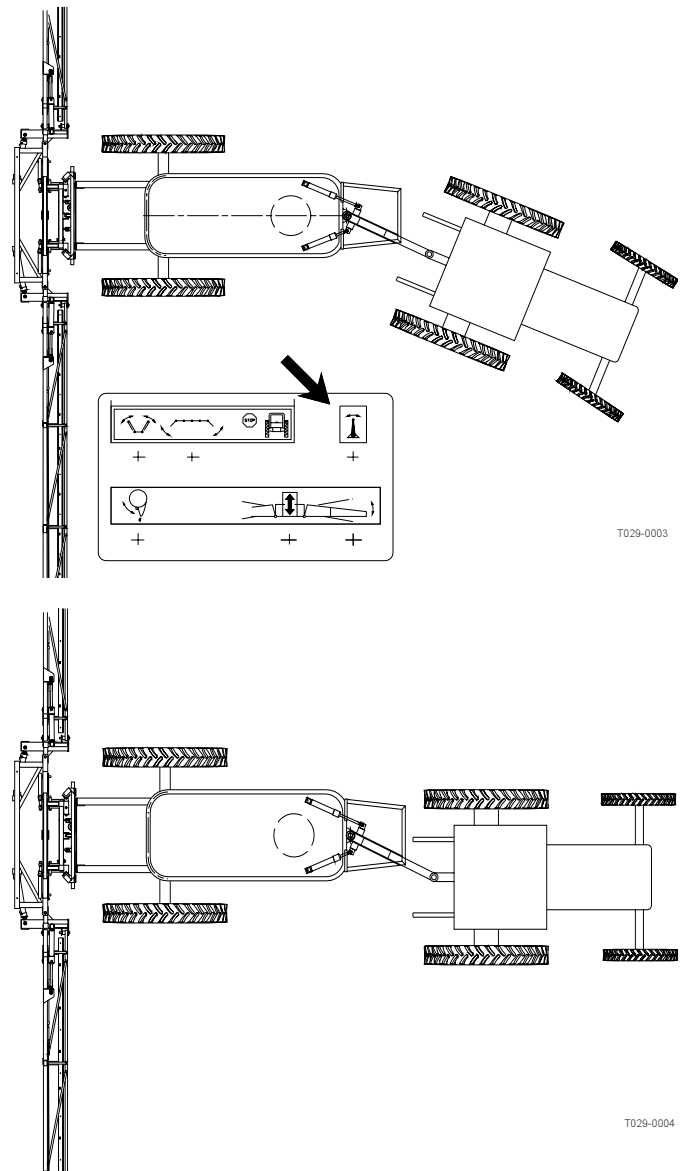
STEER TRACK (certain models only)

(If the sprayer is equipped with HARDI NOVA, please see separate instruction book).

The articulating drawbar on STEER TRACK is to be operated manually via the D.A.H.

The switch on the D.A.H. control box is pushed side-wards to articulate the drawbar.

This is used when turning or as track correction when driving on slopes.



Sprayer setup

SELF TRACK

The SELF TRACK is always in tracking mode.

The SELF TRACK drawbar will always articulate when the tractor is turning and follow the tractor rear wheels.

The SELF TRACK drawbar is hydraulically damped to obtain stable trailing.



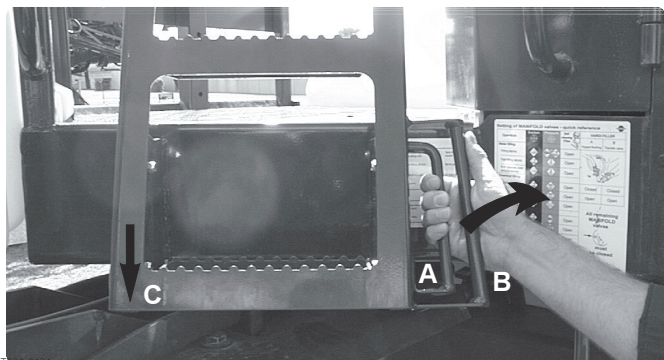
WARNING! Always drive the SELF TRACK very carefully on public roads, and be aware of the sprayer's behaviour. Slow down before turning, to avoid the vehicle from tipping over.

AUTO TRACK

Please see separate instruction book.

Sprayer setup

Equipment - Standard and Additional Ladder



Down: Pull the handle **A** to disengage the locking device and drag down the ladder while supporting it by both handles (**B + C**)

Up: The ladder will lock automatically when it is fully retracted.

NOTE! Always retract the ladder before driving.

If necessary, grease the slide bars to make the ladder slide smoother.

Platform

Access to the platform is possible via the ladder.

Hydraulic and electric components are situated underneath the platform floor. By lifting the platform floor, these components are accessible. Also the clean water tank is integrated in the platform.

The platform gives access to the clean water tank lid, the main tank lid, the top mounted suction filter and the self-cleaning filter, which is situated behind the wicket **A** on the backside of the MANIFOLD system.



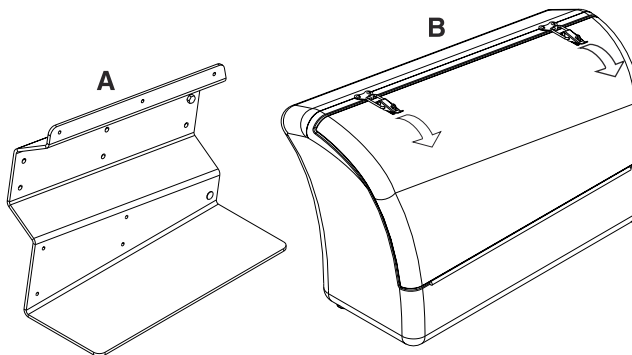
Tank level indicator

The actual tank level in the main tank can be observed on the tank level indicator **B**. The scale is displayed in litres or Imp. gal/US gal. (certain countries).

Large storage Locker (if fitted)

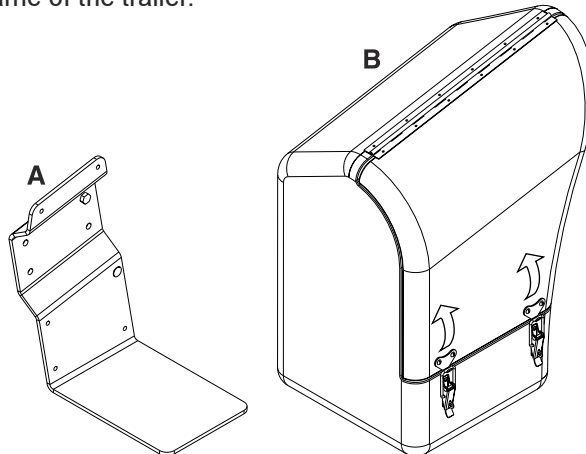
The locker **B** can be mounted on the sprayer's right side acting as a storage for sealed pesticide containers. The locker is fitted to a mounting **A**, which is bolted to the frame of the trailer.

A drain in the bottom makes it possible to clean and drain the locker in case of leak by pesticide containers.



Small storage Locker (if fitted)

The locker **B** can be mounted next to the HARDI FILLER. It is for the purpose of storing pesticide containers in use, nozzles, calibration- and compound equipment. The locker is fitted to a mounting **A**, which is bolted to the frame of the trailer.



A drain in the bottom makes it possible to clean and drain the locker in case of leak by pesticide containers.

Front Locker (if fitted)

The locker is mounted to the front of the platform. It is for the purpose of storing non-contaminated protective gear, soap for hand washing etc.

The locker is split in two compartments for the separation of clean clothes from gloves with risk of contamination.

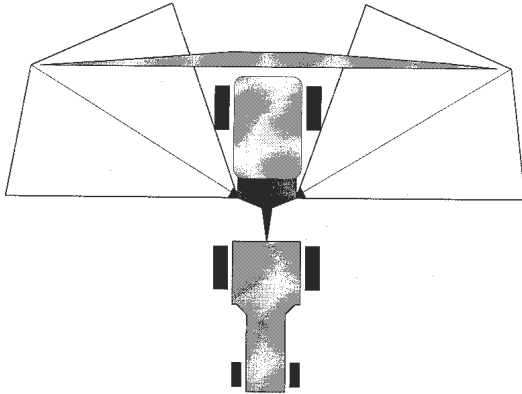
Sprayer setup



A soap dispenser can be fitted in a device on the inside of the locker door.

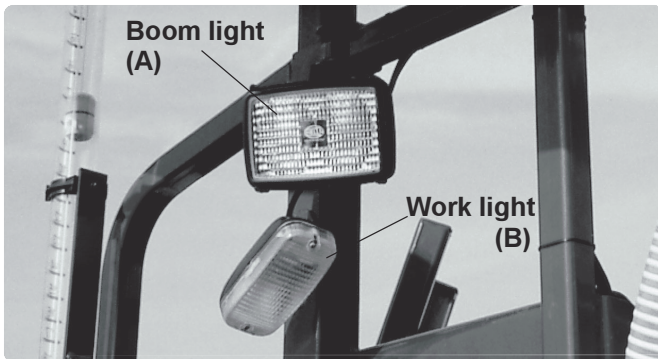
IMPORTANT! Although this locker is situated in the non-contaminated zone of the sprayer and is meant for storing nontoxic items, it must **never** be used for storing food, beverage or other things meant for consumption.

Boom and Work lights (if fitted)



T271-0009

The 2 boom light lamps **A** are mounted to the railing of the platform (one at each side) and are positioned to lighten both boom wings.



T060-0111

The work light lamp **B** is also mounted to the railing of the platform above the MANIFOLD valves. This lamp is positioned to lighten the HARDI FILLER + the MANIFOLD system.

It is recommended to switch of the rear lights of the tractor in order to save power consumption and to avoid reflection.

Power supply is via the 7-pin socket. Please see the *Installation Instruction* in the part *Technical specifications*.

Selector switch

When mounting the selector switch **A** it is simply "clicked" into the cutout in the frame below the MANIFOLD valves and is thereby fastened to the frame.



T060-0112

The switch has three positions:

1. Boom lights ON



2. Lights OFF (neutral)

3. Work light ON



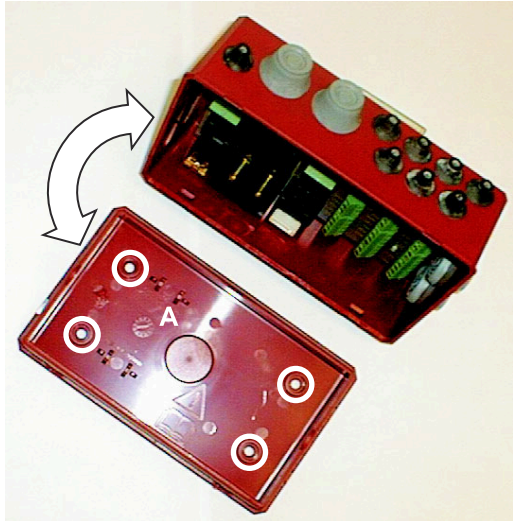
T040-0000
T040-0001

Connection box

The connection box is to be mounted underneath the platform floor.

1. Lift the platform floor
2. Open the connection box and mount the flat part of the box (**A**) by 4 screw to the 4 predrilled holes in the platform floor.

Sprayer setup



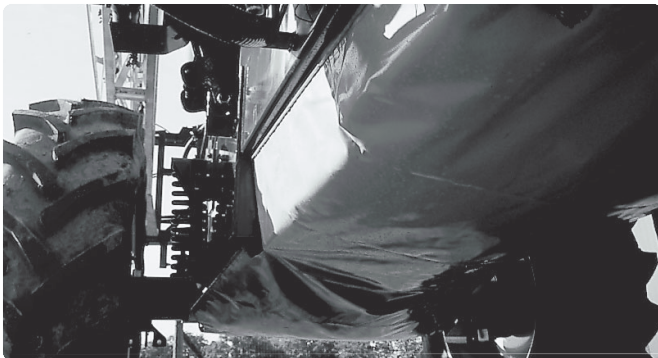
T060-0123

Crop protection Kit (if fitted)

The kit consists of sheet, straw dividers and wheel brake covers.

Sheet

The PVC sheet is fitted underneath the trailer and covers the undercarriage of the chassis



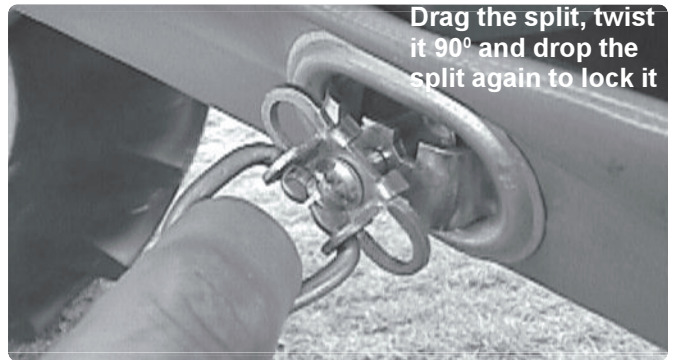
T060-0113

The sheet is lead through guiding rails fastened on both sides of the trailer.



T066-0073

Each cutout in the shield is then fastened with a matching locking device, which are mounted along the lower part of the sprayer.



Drag the split, twist it 90° and drop the split again to lock it

T060-0074

Strawdividers

A strawdivider can be fitted on each trailer wheel.



T060-0125

Wheel brake covers

A wheel brake cover A can be mounted in order to cover the brake.



T060-0126

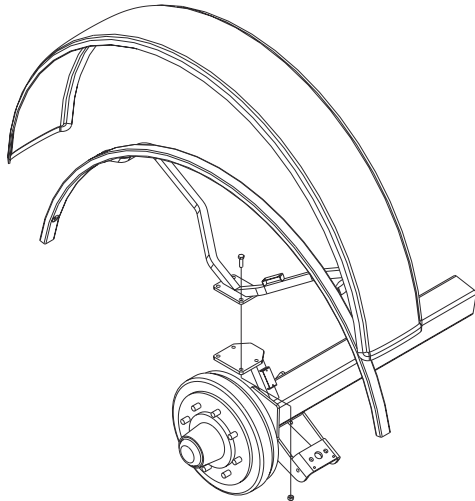
Sprayer setup

Mudguards (if fitted)



T060-0127

Mudguards can be fitted on the trailer wheels by means of a supporting frame which is bolted to a mounting on the wheel axle.



T162-0109x

Mudguards are available for all wheel configurations.

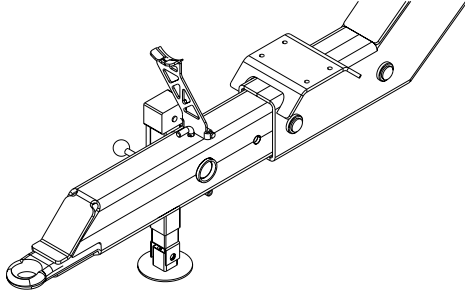
Sprayer setup

Disconnecting the sprayer

Always clean the sprayer - inside and outside - before disconnecting and parking it.

Support leg

Before disconnecting from the tractor, make sure the support leg is properly fitted and secured by linch pin.



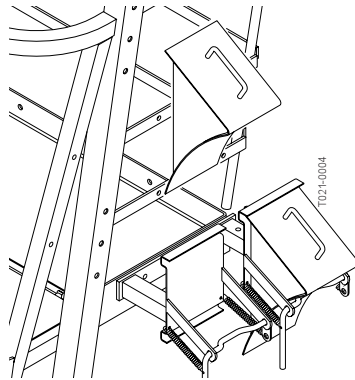
The support leg is stored in the bracket on the right side of the trailer when the sprayer is attached to the tractor. To remove the support leg: Lift the leg, remove the linch pin and pull out the support leg.



WARNING! To prevent the sprayer from tipping over, do not disconnect the sprayer from the tractor with the booms unfolded unless the boom is supported!

Always engage the parking brake (if fitted).

If no parking brake is fitted, or if local regulations requires so, place stop wedges in front of and behind the wheels.



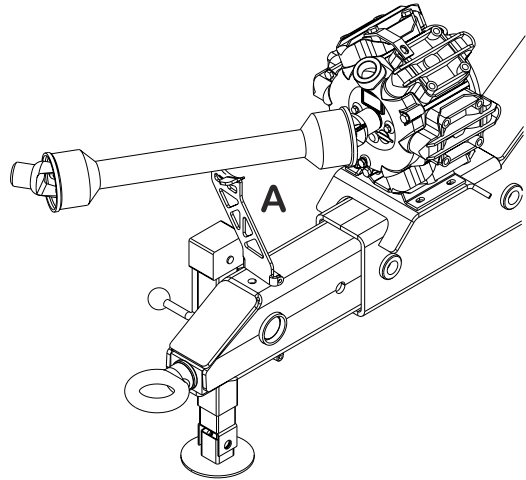
Remember to disconnect all hoses and cables from the tractor.



WARNING! If the sprayer is parked unattended avoid unauthorised persons, children and animals from having access to the sprayer.

Transmission shaft support

The transmission shaft rests on the bracket **A** when not in use (Low hitch models).



At High hitch models the transmission shaft is placed in the hook underneath the drawbar when not in use.

Operation

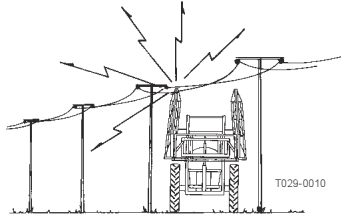
Operating the boom



WARNING! Before unfolding the boom it is important to connect the sprayer to the tractor to prevent overbalancing of the sprayer.



DANGER! When folding and unfolding the boom, be sure that no persons or objects are in the operating area of the boom.



DANGER! Always follow the guidelines mentioned below when driving in areas with overhead power lines:

- Never use the folding functions in areas with overhead power lines.
- Unintended boom movements can cause contact with overhead power lines.

NOTE! A label (ref. no. 978448) follows the sprayer. This label must be placed in the cabin at a place visible from the operator's seat.

Speed regulation of the hydraulic boom movements



WARNING! Test of the hydraulic system should be done very cautiously. There may be air in the system, which can cause violent movements of the boom. Therefore, take care that no persons are hurt, or objects damaged, in the process of testing.



WARNING! Hydraulic leaks: Never use your fingers to locate a leakage in any part of the hydraulic system. Due to high pressure, hydraulic oil can penetrate the skin.

Adjustable restrictors for the regulation of boom folding and unfolding are located on the hydraulic distribution block (fitted to the centre section).

It is important to adjust the valves to ensure that the boom operates smoothly and at correct folding/unfolding speed.

Unfold and fold the boom several times in order to heat the oil and remove air from the system and then adjust screws til the boom runs with the desired speed.

Unfolding and folding the SPB-Y and SPC-Y boom



WARNING! Ensure that pendulum is locked in order to prevent abrupt boom movements.

1. Raise the boom to release it from the transport brackets.
2. Activate the double acting hydraulics outlet to unfold the boom. Both wings will now unfold simultaneously.
3. When the boom is completely unfolded, it can be raised or lowered to the desired spray height by activating the single acting hydraulic outlet.
4. Before attempting to fold the boom back into transport position, it should be raised all the way to the top by activating the single acting outlet.
5. The boom is folded by activating the double acting outlet in the opposite direction that was used to unfold the boom. The boom can now be lowered into the transport brackets.

Operation

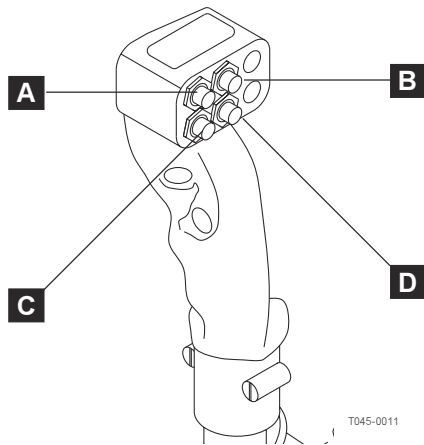
Unfolding and folding the SPB-Z and SPC-Z boom



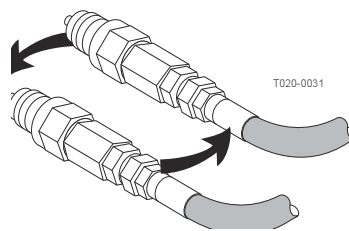
WARNING! Always put the boom wings in the horizontal position prior to folding. Never attempt to fold the boom to transport position when the boom wings are tilted - unexpected boom movements may occur, if the wings are tilted when folding.

A. Boom equipped with hydraulic joystick

Switch **A** operates: Left hand fold cylinder
 Switch **B** operates: Right hand fold cylinder
 Switch **C** operates: Left hand tilt cylinder
 Switch **D** operates: Right hand tilt cylinder



1. Raise the boom to release it from the transport brackets
2. Depress switches **A** and **B** and move the joystick forward or rearward to activate oil flow.

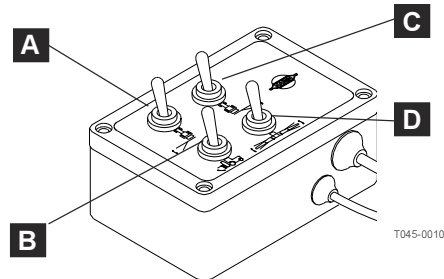


(Switch positions of the hoses in the double acting remote outlet, if you do not like the direction required to activate the boom).

3. 'One side folding' is achieved by following the above procedure - except that only one of the switches is depressed (See section 'Folding one side only').

B. Hydraulic control box

Switch **A** operates: Left hand fold cylinder
 Switch **B** operates: Right hand fold cylinder
 Switch **C** operates: Left hand tilt cylinder
 Switch **D** operates: Right hand tilt cylinder



1. Raise the boom to release it from the transport brackets.
2. Activate switch **A** upwards and hold it to unfold left hand boom wing. (Holding the switch in the 'down' position will fold the boom wing).
3. Activate switch **B** upwards and hold it to unfold right hand boom wing. (Holding the switch in the 'down' position will fold the boom wing).
4. 'One side folding' is achieved by following the above procedure - except that only one of the switches is activated. (See section 'Folding one side only').

Folding one side only

If only one side of the boom is to be unfolded, first unfold the boom completely and then turn switches off. Then flip the switch for the side that is to be folded and activate the double acting outlet to fold that side into transport position.

Note! It is not advisable to go directly from transport position to spraying position with one side only. Therefore, first unfold both boom wings completely.

Hydraulic slanting control for both SPB-Y/SPB-Z and SPC-Y/SPC-Z (optional equipment)

A hydraulic slanting control kit can be mounted on the centre section.

This enables slanting of the entire boom in order to match the local topography. This is advantageous when spraying along hillsides.

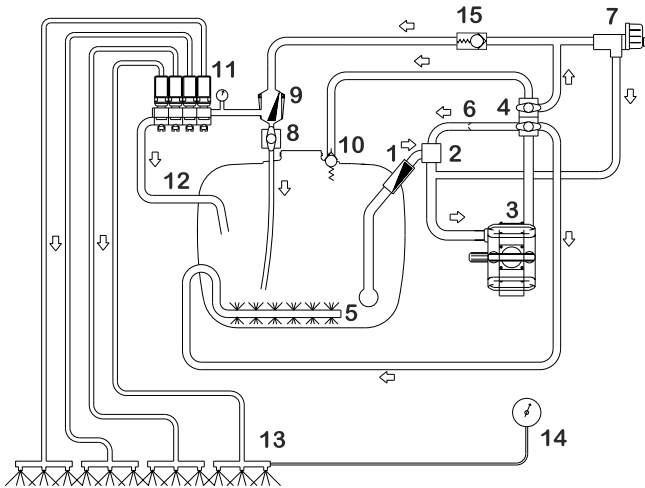
Note! Always reset position to neutral before folding the boom.

Operation

Operating the liquid system MANIFOLD SYSTEM

The MANIFOLD SYSTEM is located at the left side of the sprayer and permits operation of the liquid system from one position. The modular MANIFOLD system facilitates the addition of up to two optional extras on the pressure side and one extra on the suction side.

Function diagram - EVC (Standard)

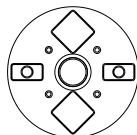


1. Suction filter
2. Suction manifold (black)
3. Pump
4. Pressure manifold (green)
5. Agitation
6. Without agitation (pressure equalisation)
7. HARDI MATIC
8. Return line (Self-cleaning filter)
9. Self-Cleaning Filter
10. Safety valve
11. Distribution valves
12. Return from Pressure Equalisation
13. Sprayer boom
14. Pressure gauge

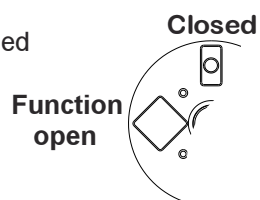
Use of MANIFOLD valve system

The following pictograms and colours are used for visualizing the functions of the MANIFOLD valves:

- Green disc = Pressure valve
 Black disc = Suction valve
 Yellow disc = Self-cleaning filter



A function is activated/opened by turning the handle towards the desired function



Pictograms - Green disc (pressure)	
Self-cleaning filter / Operating unit	
Fast filling device	
HARDI FILLER	
Agitation *	
Without agitation	
Tank flushing nozzle	
To main tank	
Spray gun	

026

*Agitation

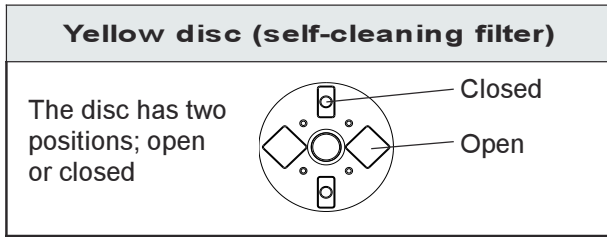
Normally, Agitation should be on but please refer to the following rules of thumb:

1. Choose "Without Agitation" if a high level of effervescence occurs in order to reduce the amount of foam.
2. Choose "Agitation" when using powder chemicals in order to avoid sedimentation.
3. Close the valve if spraying with a high volume and it is impossible to achieve sufficient pressure.

Pictograms - Black disc (suction)	
Suction from main tank	
Rinsing tank	
Filling device	

025

Operation



The valves and functions may vary from machine to machine depending on optional equipment fitted. Only the functions to be used must be open - Always close remaining valves.

To operate the spraying functions:

- Turn the handle on a green pressure valve towards the function desired
- Turn the handle on a black suction valve towards the desired function
- Open or close yellow disc (self-cleaning filter)
- Close all remaining valves by setting the handle(s) on "O"

NOTE! If a MANIFOLD valve is too tight to operate - or if it is too loose (= liquid leakage), the 3-way-valve needs to be serviced. Please see the part *Occasional maintenance - Adjustment of 3-way-valve* for further information. Correct setting is when the valve can be operated smoothly by one hand

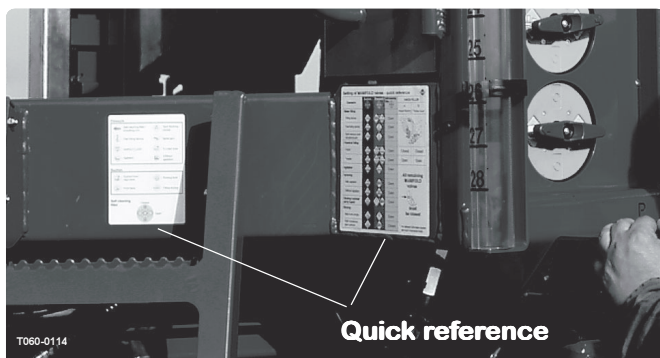
Electrical operated MANIFOLD valves (if fitted)

One or more MANIFOLD valve(s) can be electrically operated via a control box in the tractor cab. These can only be operated manually when the power to the valve motor is disconnected first.

Quick reference

A Quick Reference sticker follows this book.

It is meant to be fastened to the frame near to the MANIFOLD SYSTEM for easy "in field" operation of the valves.



Filling of water

Water can be filled into the main tank in five ways:

1. Filled through tank lid.
2. Filled by diaphragm pump through a suction side fitted filling device (optional extra) using normal pump capacity directly to the tank.
3. Filled by diaphragm pump through a pressure side fitted injector/venturi type Fast Filling Device (optional extra) providing up to 3 times normal pump capacity.
4. Combination of 2 and 3.
5. Quick coupler for external filling

The tank should normally be filled 1/3 with water, before adding the chemicals - always read instruction on chemical container!

NOTE! Max. permitted tank contents:

Model	Volume, water			Volume, liquid fertilisers*		
	Litre	Imp. gal	US gal	Litre	Imp. gal	US gal
2200 l	2200	484	580.8	2154	473.8	568.6
2800 l	2800	616	739.2	2154	473.8	568.6
3200 l	3200	704	844.8	3200	704	844.8
4200 l	4200	924	1108.8	3231	710.8	852.9

* Based on liquid fertilisers with specific gravity 1.3

* On the assumption that the tyres can support the current load.

IMPORTANT! If the sprayer is put aside with liquid in the main tank all MANIFOLD valves must be closed.

1. Filling through tank lid

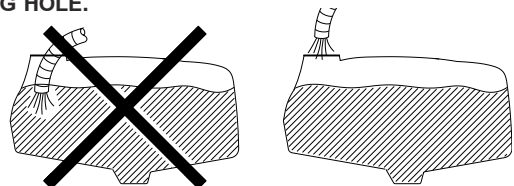
Remove tank lid and fill water through strainer to prevent rust or other particles to enter the tank.

An overhead tank can be used in order to obtain high filling capacity.



It is recommended to use as clean water as possible for spraying purposes.

WARNING! DO NOT LET FILLING HOSE ETC. ENTER THE TANK. KEEP IT OUTSIDE THE TANK, POINTING TOWARDS THE FILLING HOLE.



IF THE HOSE IS LEAD TO THE BOTTOM OF THE TANK, AND THE WATER PUMP AT THE WATER SUPPLY PLANT STOPS, CHEMICALS CAN BE SIPHONED BACK AND CONTAMINATE THE WATER SUPPLY LINES.

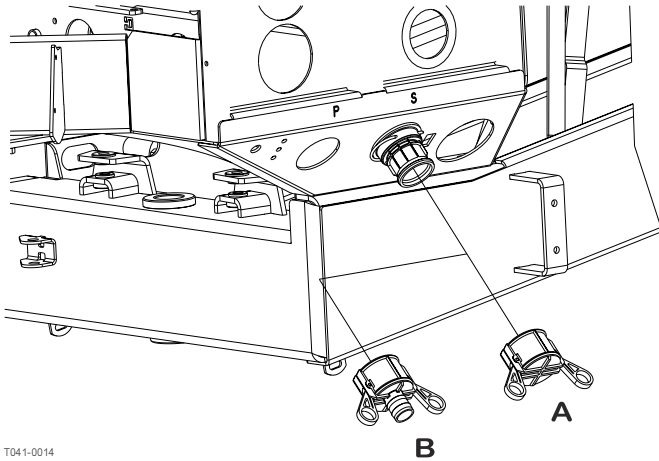
T021-0012

Operation

2. Suction Filling Device (if fitted)

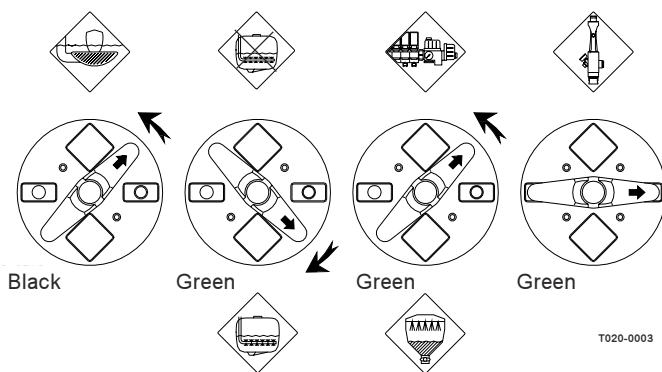
WARNING! Avoid contamination or personal injury. Do not open suction valve towards Suction Filling Device unless pump is running and filling hose is connected. If this valve is opened without pump running, liquid will stream out of the MANIFOLD.

The Suction Filling Device is operated as follows:



T041-0014

1. Remove cover **A**, and connect suction hose **B** to Suction Manifold.
2. Engage diaphragm pump and set P.T.O. revolutions at 540 r/min or 1000 r/min (depending on pump model)
3. Turn handle on Suction Manifold towards Filling Device.



4. The tank is now filled with water. Keep an eye on the liquid level indicator.
5. Turn handle on Suction Manifold away from Filling Device to discontinue filling process. Then disengage pump.
6. Disconnect suction tube **B** and replace cover.

NOTE! Observe local legislation regarding use of Filling Device. In some areas it is prohibited to fill from open water reservoirs (lakes, rivers etc.). It is recommended

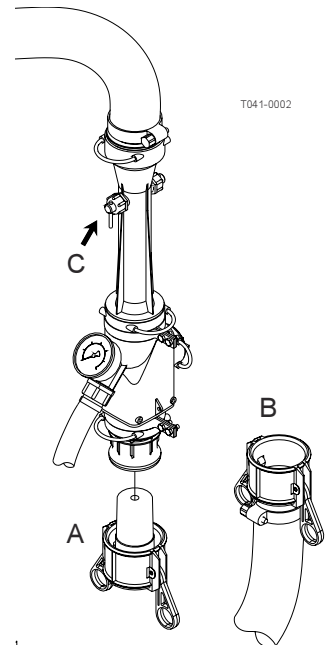
only to fill from closed reservoirs (mobile water tanks etc.) to avoid contamination.

WARNING! If suction hose/filter is carried on the sprayer during spraying, it can be contaminated by spray drift which will be transferred to lake/river when filling!

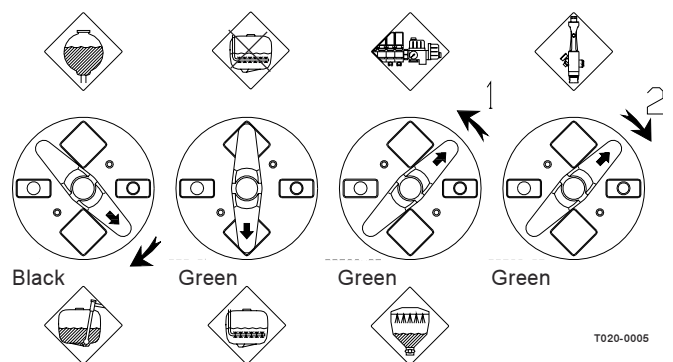
3. Fast Filling Device (if fitted)

The Fast Filling Device is operated as follows:

1. Ensure spray liquid tank contains at least 50 litres of water.
2. Remove cover **(A)** and connect suction hose **(B)**.
3. Turn handle on Pressure Manifold towards Fast Filler. With the P.T.O. at 540 r/min or 1000 r/min (depending on pump model), the pressure gauge should indicate about 10 bar.
4. If water is not seen in the transfer tube, prime by turning valve **(C)**.
5. Keep an eye on the liquid level indicator.
6. Turn handle on Pressure Manifold away from Fast Filler to discontinue filling process.



NOTE! Turn handle towards -operating unit **before** turning away from Fast Filler in order to avoid peak pressure blowing the safety valve!

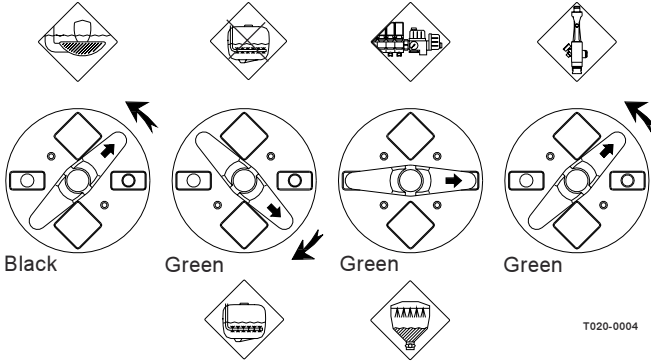


7. Disconnect suction tube **(B)** and replace cover.

Operation

4. Filling device and Fast filling device used simultaneously

The Filling Device and the Fast Filling Device can be used simultaneously - this gives even bigger filling capacity.



T020-0004



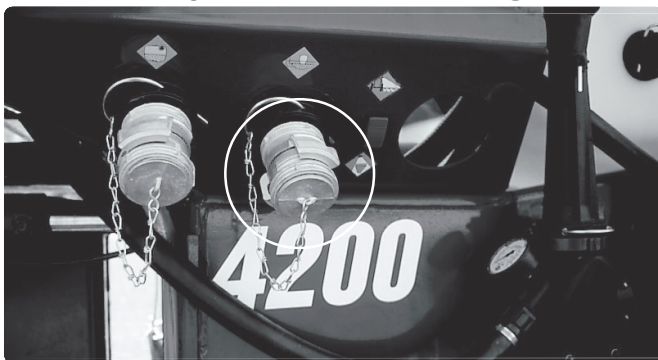
WARNING: Do not leave the sprayer whilst refilling the tank, and keep an eye on the level gauge in order **NOT** to overfill the tank!

NOTE! Observe local legislation regarding use of Filling Device. In some areas it is prohibited to fill from open water reservoirs (lakes, rivers etc.). It is recommended only to fill from closed reservoirs (mobile water tanks etc.) to avoid contamination.



WARNING! If suction hose/filter is carried on the sprayer during spraying, it can be contaminated by spray drift, which will be transferred to lake/river when filling!

5. Quick coupler for external filling



T060-0112

The quick coupler is operated as follows

1. Fit the external water hose to the quick coupler on the trailer.
2. Close self-cleaning filter.
3. Turn handle on Pressure Manifold towards Main tank.
4. Turn handle on Suction Manifold towards Filling device.

5. Depending on the chemical in question, the Pressure Manifold can be set on "Agitation". If no agitation is needed, this valve must be closed.
6. Engage the P.T.O. and start the pump.

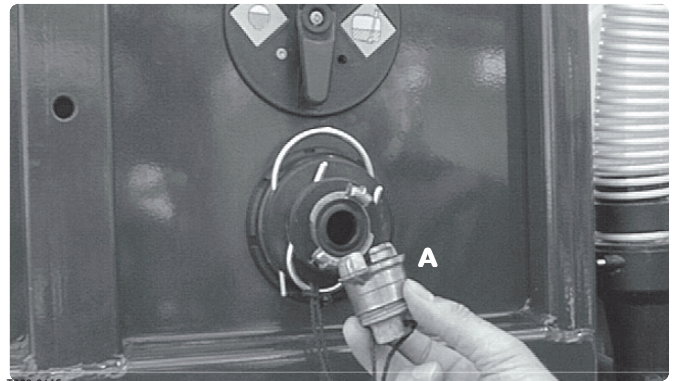


WARNING! Do not leave the sprayer whilst refilling the tank, and keep an eye on the level gauge in order **NOT** to overfill the tank!

Filling of rinsing tank (if fitted)

The rinsing tank is situated under the main tank. Only fill this tank with clean water.

The rinsing tank is filled through the inlet, situated beneath the Suction Manifold valves. Water can be filled directly through the inlet - or through a socket piece **A** (optional equipment) connected to a water hose.



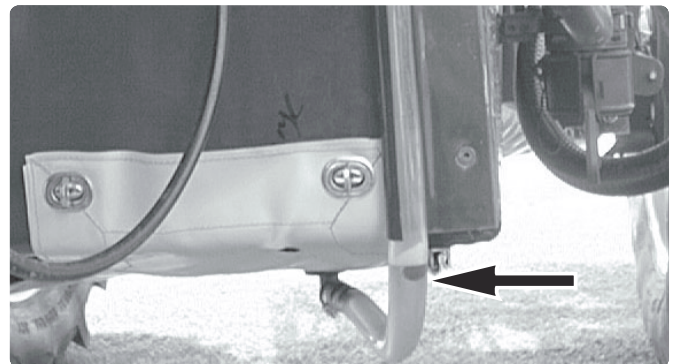
T060-0115

Rinsing tank capacity

Model	Litre	Imp. Gal.	US Gal.
2200/2800	260	57	70
3200/4200	460	101	120

028

A water level indicator (limpid hose with floating ball) is situated beneath the platform.

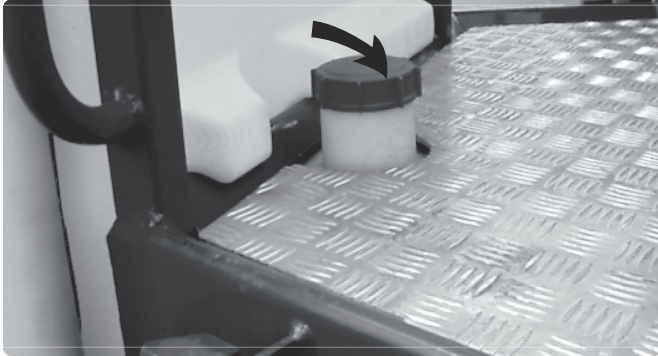


T060-0116

Operation

Filling of clean water tank

The clean water tank is integrated in the platform and has a capacity of 30 l. Access to the tank lid is possible from the platform. Only fill this tank with clean water from the well.



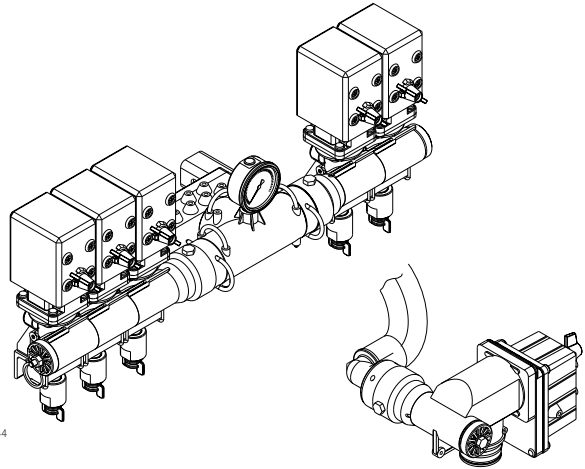
T060-0117

The water from this tank is for hand washing, cleaning of clogged nozzles etc. The tap is centrally situated in near reach from the MANIFOLD valves and is opened/closed by a handle.

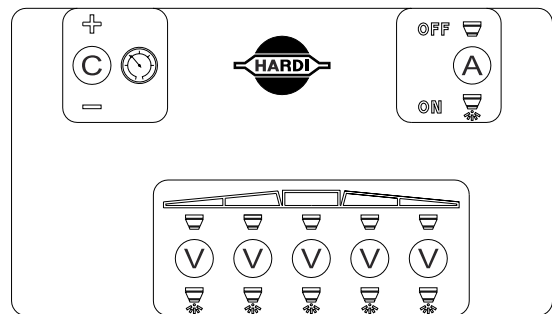


WARNING! Although the clean water tank is only filled with clean water, it must never be used for drinking.

Adjustment of EVC operating unit



T020-0044



Before spraying, the EVC operating unit is adjusted using clean water (without chemicals).

1. Choose the correct nozzle for the spray job by turning the TRIPLET nozzle bodies. Make sure that all nozzles are the same type and capacity. See the "Spray Technique" book.
2. On-off switch **A** is activated against green.
3. All distribution valve switches **V** are activated against green.
4. Pressure regulation switch **C** is activated until emergency handle stops rotating (minimum pressure).
5. Put the tractor in neutral and adjust the P.T.O. and thereby the number of revolutions of the pump corresponding to the intended travelling speed. Remember the number of revolutions on the P.T.O. must be kept between 300-600 rpm (pump 540 r/min) or 650-1100 rpm (pump 1000 r/min).
6. Pressure regulation switch **C** is activated until the required pressure is shown on the pressure gauge.

Adjustment of pressure equalisation

1. Close the first distribution valve switch **V**.
2. Turn the adjusting screw(s) until the pressure gauge again shows the same pressure.
3. Adjust the other sections of the distribution valve in the same way.

Operation

NOTE! HEREAFTER ADJUSTMENT OF PRESSURE EQUALISATION WILL ONLY BE NEEDED WHEN:

1. YOU CHANGE TO NOZZLES WITH OTHER CAPACITIES
2. THE NOZZLE OUTPUT INCREASES AS THE NOZZLES WEAR

Operating the control unit while spraying

In order to close the entire boom, switch ON/OFF **A** to off position. This returns the pump output to the tank through the return system.

The diaphragm Non-drip valves ensure instantaneous closing of all nozzles.

In order to close one or more sections of the boom, switch the relevant distribution valve **V** to off position. The pressure equalisation ensures that the pressure does not rise in the sections which are to remain open.

When the sprayer is put aside, the control box and the multi plug must be protected against moisture and dirt. A plastic bag may be used to protect the multi plug.

Remote pressure gauge (if fitted)

The remote pressure gauge is integrated in the front locker. This gauge measures the working pressure in the boom tubes as close to the nozzles as possible. This pressure reading will always be slightly lower than the reading at the operating unit pressure gauge.

The outputs stated in the nozzle charts are always based on the pressure measured at the nozzle.

Always adjust pressure when calibrating and spraying according to readings at the Remote pressure gauge.



(If no front locker is fitted to the trailer the pressure gauge is situated at the platform instead).

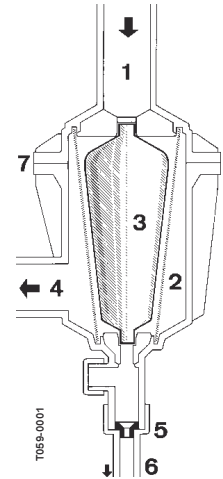
Filters

All filters should always be used, and their function checked regularly. The mesh size of the filter in use should always be smaller than the flow average of the nozzles used. Therefore, pay attention to the correct combination of filters, mesh size.

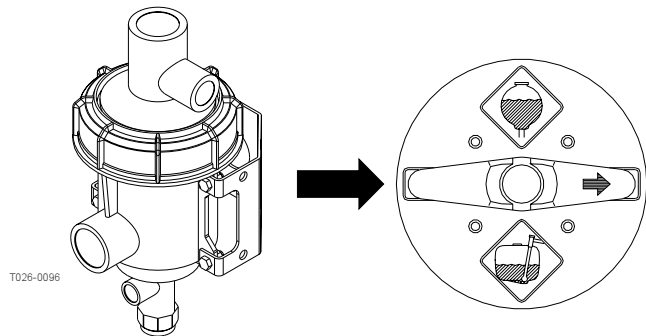
Self-cleaning filter

Operating diagram

1. From pump
2. Double filter screen
3. Guide cone
4. To operating unit
5. Replaceable restrictor
6. Return to tank
7. Screw-joint



The self-cleaning filter is operated via the yellow MANIFOLD valve.



IMPORTANT! The yellow MANIFOLD valve should normally be open, but must be closed in the following cases:

1. If rinsing with water from the rinsing tank and a quantity of spray liquid still remains in the main tank (otherwise the spray liquid will be diluted).
2. If opening the self-cleaning filter and a quantity of spray liquid still remains in the main tank (otherwise there is a risk that spray liquid will flow out).

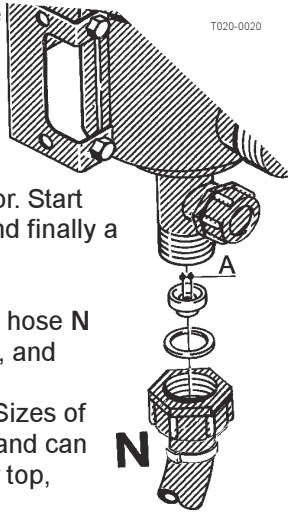
Choice of correct restrictor

It is important to have a large flow through the filter. This is achieved by choosing the restrictor size in relation to the liquid consumption of the spray boom.

4 restrictors are supplied. Use the green one (largest orifice) first.

Operation

The hose N is demounted at the self-cleaning filter, the restrictor is put in the hose and the hose is mounted again. If the required working pressure cannot be obtained, the restrictor is too large. Choose a smaller restrictor. Start with a black one, then a white and finally a red one.



When cleaning the filter remove hose N and the hose at the safety valve, and check there are no residue. Standard filter size is 80 mesh. Sizes of 50 and 100 mesh are available and can be changed by opening the filter top, and replace the strainer.

Check the O-rings before reassembling the filter and replace if damaged.

Filling of chemicals

Chemicals can be filled in the tank in two ways:

1. Through tank lid.
2. By means of HARDI FILLER chemical filling device.



WARNING! Always wear correct protective clothing before handling chemicals!

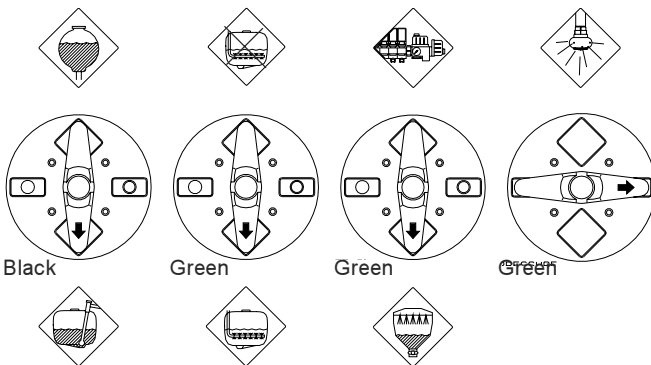
1. Filling through tank lid

The chemicals are filled through the tank lid - Note instructions on the chemical container!



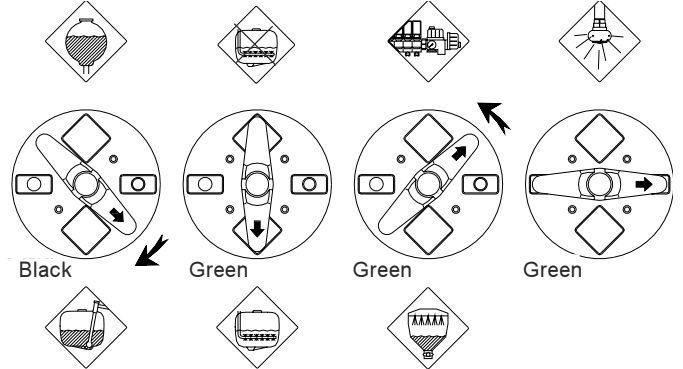
WARNING! Be careful not to slip or splash chemicals when carrying chemicals up to the tank lid!

1. Make sure the EVC is switched off.
2. Set the MANIFOLD valves to correct position. Black valve "Suction from main tank", green valve towards "Agitation"



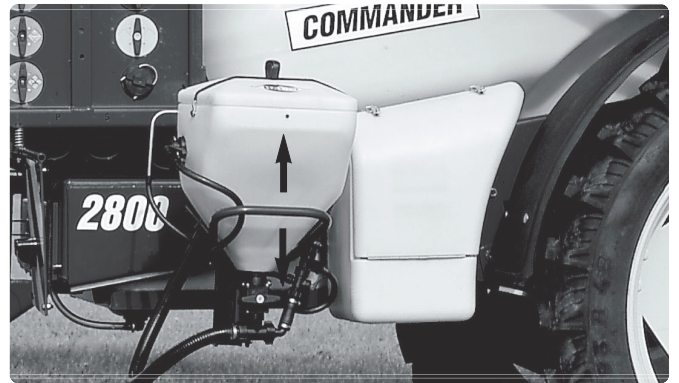
3. Engage the pump and set P.T.O. revolutions to 540 r/min or 1000 r/min (depending on pump model).

4. Add the chemicals through the main tank hole.
5. When the spray liquid is well mixed, turn handle on the Pressure Manifold towards "Spraying" position. Keep P.T.O. engaged so the spray liquid is continuously agitated until it has been sprayed on the crop.



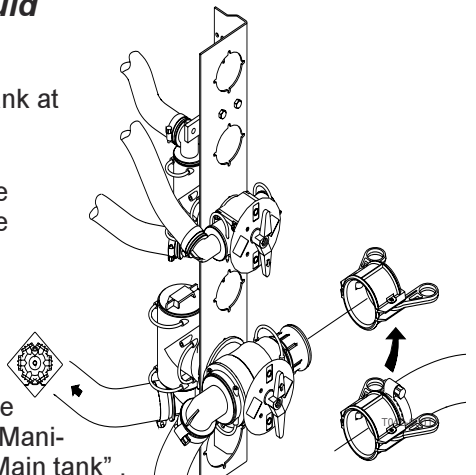
2. Filling by HARDI FILLER chemical inductor

To get access to the HARDI FILLER, grab the handle and drag the HARDI FILLER the whole way down. Due to the spring loaded suspension, it will stay in this position. After use, it is pushed the whole way up again.



Filling of Liquid chemicals

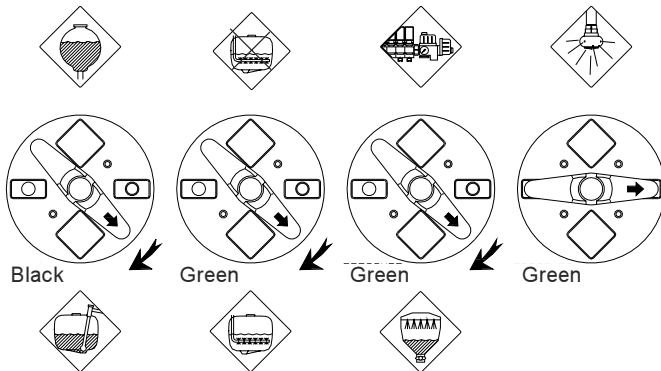
1. Fill the main tank at least $\frac{1}{3}$ with water (unless something else is stated on the chemical container label). See section "Filling of water".
2. Turn the handle at the Suction Manifold towards "Main tank".



Operation

Turn green valve towards "HARDI FILLER" and the other green valve towards agitation. Close remaining valves.

3. Check that bottom valve **A** at the FILLER is closed.



4. Engage the pump and set P.T.O. speed at 540 r/min or 1000 r/min (depending on pump model).
5. Open FILLER lid.
6. Measure the correct quantity of chemical and fill it into the hopper.

NOTE! The scale in the hopper can only be used if the sprayer is parked at level ground! It is recommended to use a measuring jug for best accuracy.

7. Open the bottom valve **A** and the chemical is transferred to the main tank.
8. If the chemical container is empty it can be rinsed by the container rinsing device (if fitted). Place the container over the multi-hole nozzle and press the lever **B**.



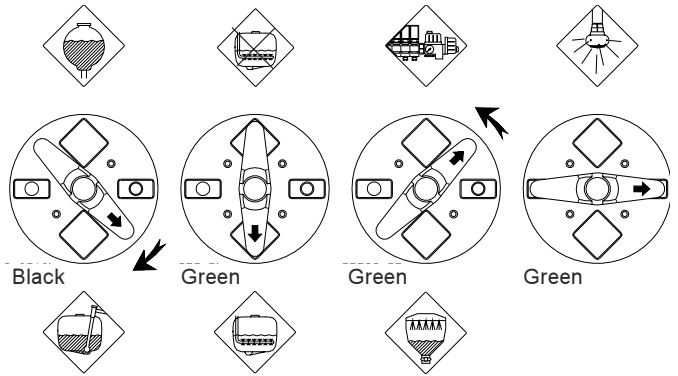
WARNING! Do not press lever **B** unless the multi-hole nozzle is covered by a container to avoid spray liquid hitting the operator.

IMPORTANT! Rinsing device uses spray liquid to rinse containers for concentrated chemicals. Always rinse the chemical containers with clean water several times until they are clean before disposal.

9. Engage the hopper rinsing device by opening valve **C**.
10. Close valve **C** again when the hopper is rinsed.

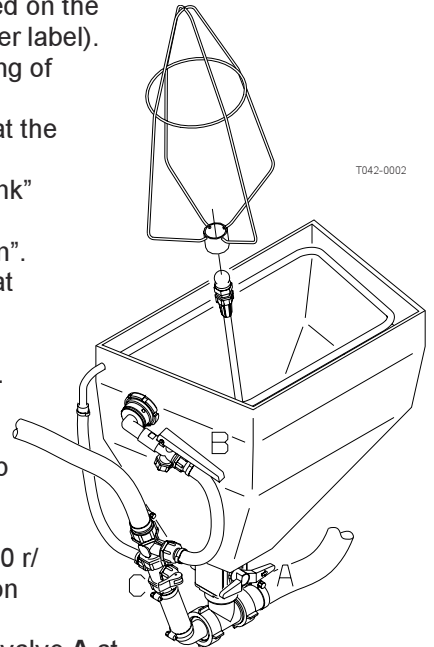
IMPORTANT! The hopper rinsing device is using spray liquid for rinsing the hopper for concentrated chemical! The FILLER must always be cleaned together with the rest of the sprayer when the spray job is done.

11. Close valve **A** and the FILLER lid again.
12. When the spray liquid is well mixed, turn handle on the Pressure Manifold towards "Spraying" position. Keep P.T.O. engaged so the spray liquid is continuously agitated until it has been sprayed on the crop.



Filling of Powder chemicals

1. Fill the main tank at least $\frac{1}{2}$ with water (unless something else is stated on the chemical container label). See section "Filling of water".
2. Turn the handle at the Suction Manifold towards "Main tank" and green valve towards "Agitation". Turn the handle at the Pressure Manifold towards "HARDI FILLER". Close remaining valves.
3. Engage the pump and increase P.T.O. speed to 540 r/min or 1000 r/min (depending on pump model).
4. Open the bottom valve **A** at the FILLER. Open FILLER lid.
5. Engage the hopper rinsing device by opening valve **C**.
6. Measure the correct quantity of chemical and sprinkle it into the hopper as fast as the rinsing device can flush it down.
7. If the chemical container is empty it can be rinsed by the container rinsing device (if fitted). Fit the bag bracket and place the powder bag over the multi-hole nozzle and press the lever **B**.



WARNING! Do not press lever **B** unless the multi-hole nozzle is covered by a container to avoid spray liquid hitting the operator.

IMPORTANT! Rinsing device uses spray liquid to rinse containers for concentrated chemicals. Always rinse the chemical containers with clean water several times until they are clean before disposal.

9. Close valve **C** again when the hopper is rinsed.

Operation

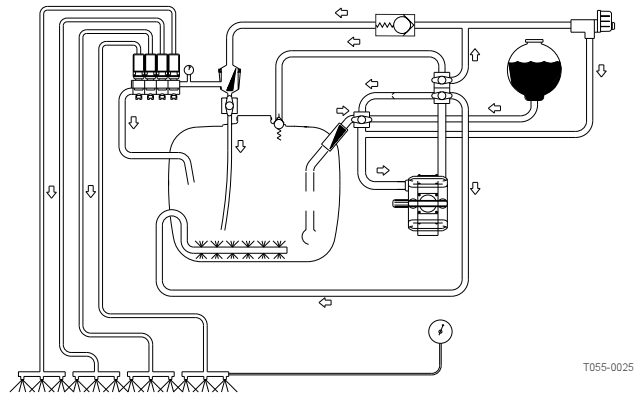
IMPORTANT! The hopper rinsing device is using spray liquid to rinse the hopper for concentrated chemical. The FILLER must always be cleaned together with the rest of the sprayer when the spray job is done.

10. Close valve **A** and the FILLER lid again.
11. When the spray liquid is well mixed, turn handle on the Pressure Manifold towards "Spraying" position. Keep P.T.O. engaged so the spray liquid is continuously agitated until it has been sprayed on the crop.



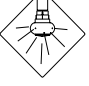


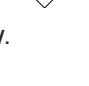
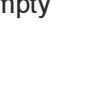


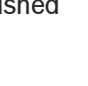
Use of rinsing tank and rinsing nozzles (if fitted)

The incorporated rinsing tank can be used for two different purposes.

- A. In-field diluting of remaining spray liquid residue in the spraying circuit for spraying the liquid in the field, before cleaning the sprayer.



T055-0025

1. Empty the sprayer as much as possible. Turn the green pressure valve towards "No Agitation" and spray till air comes out of all nozzles. 
 2. Remove the tank filter basket. 
 3. Turn black suction valve towards "Rinsing tank". 
 4. Turn green pressure valves towards "Rinsing nozzle" (if fitted). 
 5. Engage and set the pump at approximately 300 r.p.m. 
 6. When rinsing water corresponding to approximately 10 times the spray liquid residue (see paragraph "Technical Residue") is used, turn black suction valve towards "Suction from main tank" and operate all valves, so all hoses and components are rinsed. 
 7. Turn green pressure valve back to "Operating unit" and spray liquid in the field you have just sprayed. 
 8. Repeat point 3-7 until the rinsing tank is empty.
- B. Rinsing the pump, operating unit, spray lines, etc. in case of stop in spraying before main tank is empty (e.g. beginning rain etc.).
 1. Close Self-cleaning filter (yellow valve). 
 2. Turn black suction valve towards "Rinsing tank". 
 3. Turn green pressure valve towards "No Agitation" 
 4. Engage the pump and spray water from rinsing tank in the field until all nozzle tubes/nozzles are flushed

Operation

with clean water.

5. Disengage pump again.

6. Open Self-cleaning filter again.



WARNING! The rinsing nozzles cannot always guarantee a 100% cleaning of the tank. Always clean manually with a brush afterwards, especially if crops sensitive to the chemical just sprayed are going to be sprayed afterwards!

Technical Residue

Inevitably a quantity of spray liquid will remain in the system. It cannot be sprayed properly on the crop, as the pump takes in air when the tank is about to be empty.

This Technical Residue is defined as the remaining liquid qty. in the system as the first clear pressure drop on the pressure gauge is read.

	Residue, litre			
	2200/2800	3200/4200	2200/2800	3200/4200
Dilutable residue ¹	-	-	-	-
Total residue ²	-	-	-	-

024

1) Residue in main tank, possible to dilute with water from rinsing tank

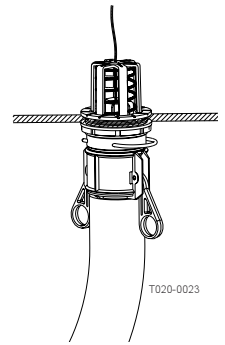
2) Total residue in tank and spraying circuit on standard sprayer. Variations due to different ground inclinations etc.

The dilutable residue must be diluted 10 times with clean water and sprayed to the crop just sprayed before cleaning the sprayer - See paragraph "Cleaning".

Draining a residue

Using the drain valve

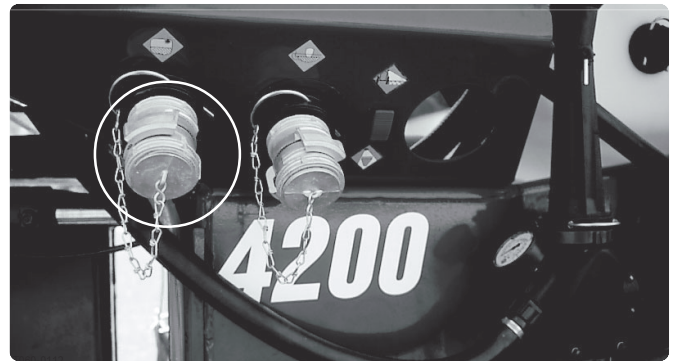
If draining a residue, e.g. liquid fertilisers into a reservoir, a snap coupler with hose can rapidly be connected to the drain valve, and the liquid can be let safely out.



T020-0023

Using the suction quick coupler

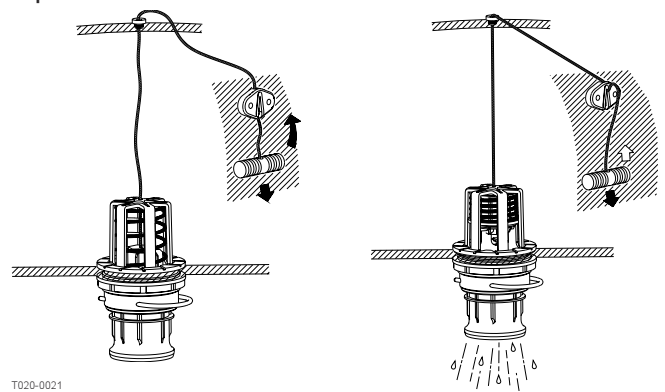
1. Connect the hose to the suction quick coupler on the trailer (pressure).
2. Turn the green valve towards "External tank".
3. Turn the black valve towards "Suction from main tank" and close Self-cleaning filter (yellow valve).
4. Engage the P.T.O to start the pump.



Operation of the drain valves

Main tank

Pull the string at left hand side of the tank to open the drain valve. The valve is spring-loaded but can be kept open by pulling the string out and upwards in the V-shaped slit.



T020-0021
T020-0022

To release and close the drain valve again pull the string downwards and the valve will close automatically.

Operation

Rinsing tank

To avoid algae developing in the rinsing tank always drain the rinsing tank when the sprayer is not in use for a long period.

Spray Technique - see separate book

Safety precautions



Always be careful when working with crop protection chemicals!

Personal protection

Dependant on which type of chemical used, the following protective clothing/equipment should be used:

- Gloves
- Waterproof boots
- Headgear
- Respirator
- Safety goggles
- Chemical resistant overall

This equipment should be worn to avoid contact with the chemicals.



Protective clothing/equipment should be used when preparing the spray liquid, during the spraying work and when cleaning the sprayer. Also follow the recommendations on the chemical label.



It is always advisable to have clean water available, especially when filling the sprayer with the chemical.



Always clean the sprayer carefully and immediately after use.



Do not mix different chemicals in the tank.



Always clean the sprayer before changing to another chemical.

Adjustable Agitation Valve

Description

This new **Adjustable Agitation Valve** replaces the existing agitation valve at your Hardi Manifold System. It gives you the possibility to continuously adjust the quantity of liquid that is used for agitation or by-pass.

Function

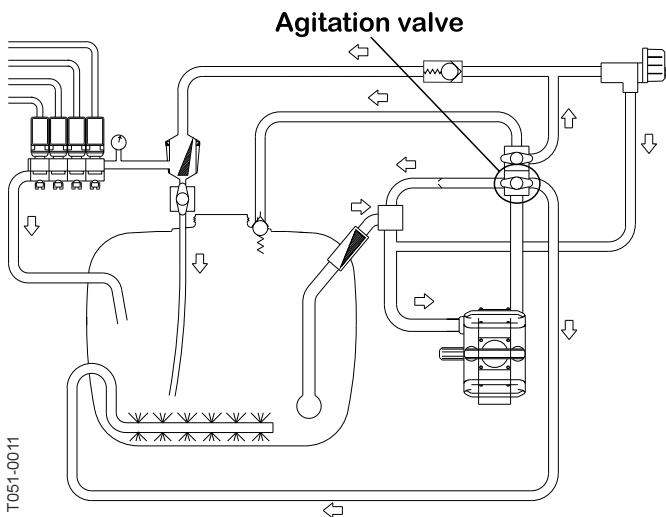
The **Adjustable Agitation Valve** replaces the existing agitation valve, and should be located at the same place in the Hardi Manifold System

Diagram shows where the replacement takes place.

The green pressure valve has 4 positions. Two positions are for "Agitation" and "Without Agitation" (by-pass). The other two are marked "0" indicating the valve is closed. With the new **Adjustable Agitation Valve** it is possible to combine these positions continuously. For example if you want to spray with a high volume rate at high(-er) pressure and want agitation in same time. This situation could be impossible with the standard valve.

Diagram - Conventional liquid system

(Section - see complete diagram in your instruction book).



Assembly

Lubricate all O-rings before assembly.

1. Remove cover behind **MANIFOLD SYSTEM** (platform side).
2. Release cramps and remove hoses from the sides of the existing valve.
3. Remove the existing valve by releasing the cramp from the T-piece and unscrew the valve from the bracket.
4. Fit the new agitation valve in the bracket and tighten the union nut.
5. Mount cramp to T-piece.
6. Mount the hoses in the sides of the new **Adjustable Agitation Valve**.
7. Put the cover back.

Operating

MANIFOLD SYSTEM

See instruction book for information about selecting optional equipment

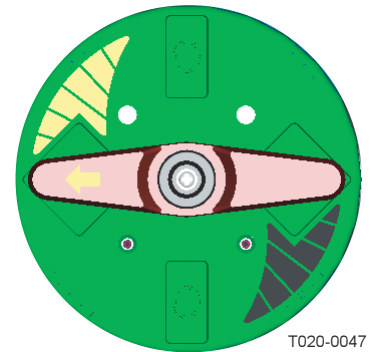
Adjustable Agitation Valve

The valve is marked with arrows on the green disc that indicates the amount of liquid that passes through the valve. If handle is turned to a position near the tip of the arrow, then only a small amount of liquid is allowed to pass the valve. Otherwise, if handle is turned to a position in the wide end of the arrow, it means that a larger amount is passing the valve.

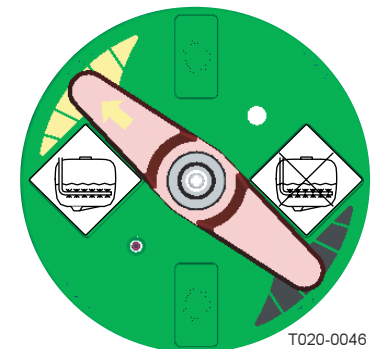
Now you have the possibility to continuously adjust how large amount of fluid from the pump is used for agitation in the tank and for spraying.

Examples on handle positions at different agitation quantities:

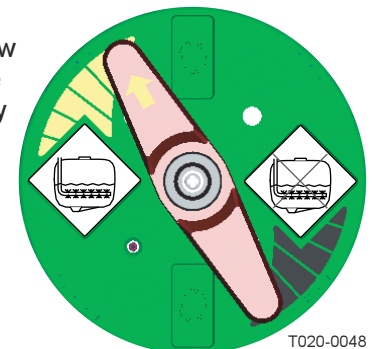
1. Handle is in same position as (open) agitation position at the original valve. Agitation quantity is 100%.



2. Handle is positioned at the middle of the arrow (in agitation side of the disk). Agitation quantity is 50%.



3. Handle is positioned near the tip of the arrow (in agitation side of the disk). Agitation quantity is 10%.



By-pass

When using agitation and you want to turn it off, then turn the handle 180 degree around. This means that agitation is off but the spraying pressure remains the same - opposite to closing the valve, which will increase the pressure.

HARDI CIRCULATION SYSTEM

Description

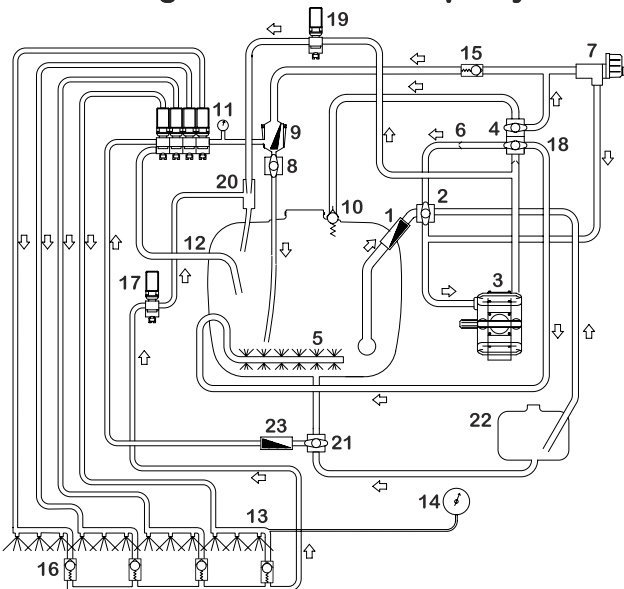
HARDI CIRCULATION SYSTEM: By the incorporation of an ejector and connecting the boom lines with tank and MANIFOLD, it enables the formation of a flow from tank (or rinse tank) through the boom lines when the sprayer is not spraying. The HARDI CIRCULATION SYSTEM provides the following features compared to a conventional sprayer: Instant spraying when starting since boom lines are primed prior to start, reduced risk of sedimentation in boom lines since there is a continuous flow, which creates a possibility to flush and clean the boom without spraying. This do not apply to the nozzles, as there are no flow in them when spraying is off.

Function

The sprayer can be equipped with HARDI CIRCULATION SYSTEM in combination with either a conventional liquid system or a High Capacity Fluid System (HCFS). The operation of the liquid system is identical for both systems.

At a sprayer with HARDI CIRCULATION SYSTEM, an extra valve connected with a circulation suction filter is added to the MANIFOLD system. The valve and filter are fitted to the right side of the MANIFOLD valves. This valve has three positions: circulation from main tank, circulation from rinse tank or circulation off (see signs on valve). When spraying is on, the sprayer functions are like a "normal" sprayer, but when distribution valves are turned off, valve no. 17 and 19 open (see function diagram) and allow a flow to the ejector (20) and from the distribution valves (11). Fluid through valve 19 comes from pump and is led into the ejector. This causes a vacuum in hoses through valve 17 allowing the fluid to be sucked from boom pipes through valve 17 and the ejector back into main tank.

Function diagram - conventional liquid system

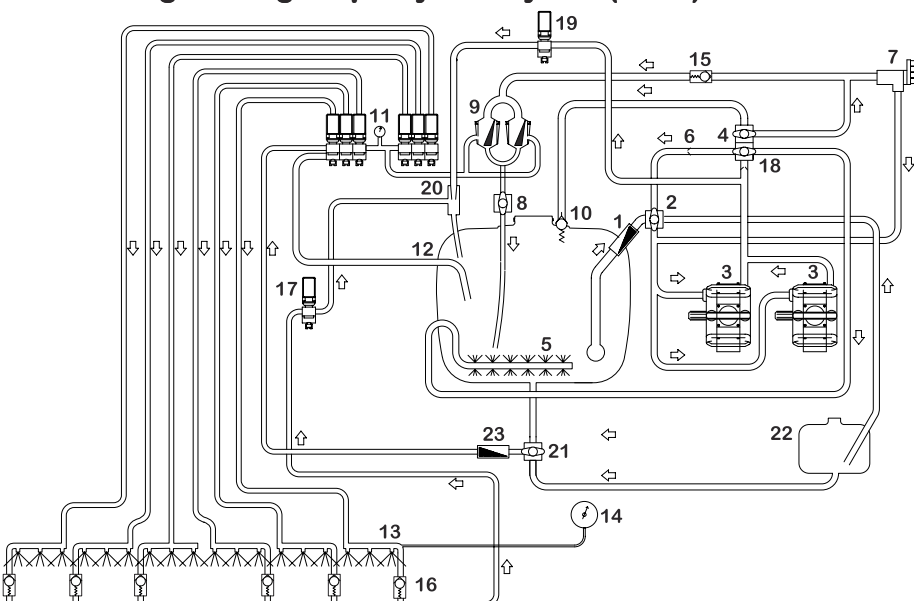


Detailed description on use of MANIFOLD system can be found in the instruction book for the specific sprayer.

NOTE! The new EVC section valve with an extra return flow channel is a pre-requisite for HARDI CIRCULATION SYSTEM.

Diagrams for standard EVC system and for High Capacity Fluid System (HCFS) with HARDI CIRCULATION SYSTEM are shown to the left and below.

Function diagram - High Capacity Fluid System (HCFS)



Numbers and their meaning

1. Suction filter
2. Suction manifold (black)
3. Pump / Double pump (HCFS)
4. Pressure manifold (green)
5. Agitation
6. Without agitation (pressure equalisation)
7. HARDI MATIC
8. Return line (Self-cleaning filter)
9. Self-Cleaning Filter
10. Safety valve
11. Distribution valves
12. Return from Pressure Equalisation
13. Sprayer boom
14. Pressure gauge
15. Non-return valve
16. Non-return valves
17. Circulation valve
18. Agitation valve
19. Ejector valve
20. Ejector
21. Circulation suction valve
22. Rinsing tank
23. Circulation filter

HARDI CIRCULATION SYSTEM




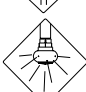

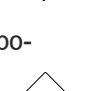

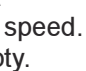
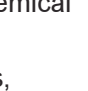


Operating

A sprayer with HARDI CIRCULATION SYSTEM is operated like other HARDI sprayers. HARDI CIRCULATION SYSTEM has an extra valve in the Manifold system. This valve is used to choose between circulation from main tank or from rinsing tank. In a spraying situation the valve is set for suction from the main tank. The valve is set for suction from Rinsing tank in a cleaning situation. For further cleaning details, see paragraph "Use of rinsing tank and rinsing nozzles".

Use of rinsing tank and rinsing nozzles





The incorporated rinsing tank can be used for two different purposes.

A. In-field diluting of remaining spray liquid residue in the spraying circuit for spraying the liquid in the field before cleaning the sprayer.

1. Empty the sprayer as much as possible. Turn the green pressure valve towards "No Agitation" and spray till air comes out of all nozzles. 
2. Remove the tank filter basket. 
3. Set circulation system for suction from main tank. 
4. Engage and set the pump at approximately 300 r.p.m. 
5. Turn black suction valve towards "Rinsing tank". 
6. Turn green pressure valves towards "Rinsing nozzle" (if fitted). Or else choose return to main tank. 
7. When rinsing water corresponding to approximately 1/4 of volume in Rinsing tank is used, turn black suction valve towards "Suction from main tank". 
8. Operate all valves, so that all hoses and components are rinsed. 
9. Let the circulation system run for about 2 minutes. 
10. Turn green pressure valve back to "Operating unit" and spray liquid in the field you have just sprayed. Use low pressure (1.5 bar) and high speed. 
11. Repeat point 5-10 until the rinsing tank is empty. 

NOTE! If a cleaning procedure is given on the chemical label, follow it closely.

B. Rinsing of the pump, operating unit, spray lines, etc. in case of stop in spraying before main tank is empty (e.g. in case of rain etc.).

1. Engage pump and set circulation system for suction from main tank. 
2. Open valve to "Operating unit" at pressure side of the Manifold system. 
3. Close Self-cleaning filter (yellow valve). 
4. Turn blue suction valve for circulation system towards "Rinsing tank". 

5. When at least 1/8 volume of clean water tank has been emptied out, then close circulation system at the blue suction valve.
6. Start spraying. Spray water from rinsing tank in the field until all nozzle tubes/nozzles have been flushed with clean water.
7. After 2 minutes or when Rinsing tank is empty, then disengage pump.
8. Open Self-cleaning filter again.



WARNING! The rinsing nozzles cannot always guarantee a 100% cleaning of the tank. Always clean manually with a brush afterwards, especially if crops sensitive to the chemical just sprayed are going to be sprayed afterwards!

Maintenance

Maintenance - rules of thumb

In order to derive full benefit from the sprayer for many years the following service and maintenance program should be followed.

IMPORTANT! Always read the individual paragraphs. Read instructions for service/maintenance jobs carefully before starting on the job. If any portion remains unclear or requires facilities which are not available, then for safety reasons please leave the job to your HARDI dealer's workshop.

Cleaning the sprayer

Guidelines

1. Read the whole chemical label. Take note of any particular instructions regarding recommended protective clothing, deactivating agents, etc. Read the detergent and deactivating agent labels. If cleaning procedures are given, follow them closely.
2. Be familiar with local legislation regarding disposal of pesticides washings, mandatory decontamination methods, etc. Contact the appropriate department, e.g. Dept. of Agriculture.
3. Pesticide washings can usually be sprayed out on a soakaway. This is an area of ground that is not used for cropping. You must avoid seepage or runoff of residue into streams, water courses, ditches, wells, springs, etc. The washings from the cleaning area must not enter sewers. Drainage must lead to an approved soakaway.
4. Cleaning starts with the calibration, as a well calibrated sprayer will ensure the minimal amount of remaining spray liquid.
5. It is good practice to clean the sprayer immediately after use and thereby rendering the sprayer safe and ready for the next pesticide application. This also prolongs the life of the components.
6. It is sometimes necessary to leave spray liquid in the tank for short periods, e.g. overnight, or until the weather becomes suitable for spraying again. Unauthorised persons and animals must not have access to the sprayer under these circumstances.
7. If the product applied is corrosive, it is recommended to coat all metal parts of the sprayer before and after use with a suitable rust inhibitor.

Remember:

**Clean sprayers are safe sprayers.
Clean sprayers are ready for action.
Clean sprayers cannot be damaged by pesticides and their solvents.**

Cleaning the tank

1. Dilute remaining spray liquid in the tank with at least 10 parts of water and spray the liquid out in the field you have just sprayed - See paragraph "Use of rinsing tank and rinsing nozzles".

NOTE! It is advisable to increase the forward speed (double if possible) and reduce the pressure to 1.5 bar (20 psi).

2. Select and use the appropriate protective clothing. Select detergent suitable for cleaning and suitable deactivating agents if necessary.
3. Rinse and clean sprayer and tractor externally. Use detergent if necessary.
4. Remove tank and suction filters and clean. Be careful not to damage the mesh. Replace suction filter top. Replace filters when the sprayer is completely clean.
5. With the pump running, rinse the inside of the tank. Remember the tank roof. Rinse and operate all components and any equipment that has been in contact with the chemical.

Before opening the distribution valves and spraying the liquid out, decide whether this should be done in the field again or on the soakaway.

6. After spraying the liquid out, stop the pump and fill at least $\frac{1}{5}$ of the tank with clean water. Note that some chemicals require the tank to be completely filled. Add appropriate detergent and/or deactivating agent, e.g. washing soda or Triple ammonia.
- NOTE!** If a cleaning procedure is given on the chemical label, follow it closely.
7. Start the pump and operate all controls enabling the liquid to come in contact with all the components. Leave the distribution valves until last. Some detergents and deactivating agents work best if left in the tank for a short period. Check the label. The Self-Cleaning Filter can be flushed by removing the by-pass hose from the bottom of the filter. Stop the pump and remove the hose. Start the pump for a few seconds to flush filter. Be careful not to lose the restrictor nozzle.
 8. Drain the tank and let the pump run dry. Rinse inside of the tank, again letting the pump run dry.
 9. Stop the pump. If the pesticides used have a tendency to block nozzles and filters, remove and clean them immediately. Also check for sediment on the pressure side of the safety valve for the Self-Cleaning Filter.

Maintenance

10. Replace all the filters and nozzles and store the sprayer. If, from previous experiences, it is noted that the solvents in the pesticide are particularly aggressive, store the sprayer with the tank lid open.

NOTE! If the sprayer is cleaned with a high pressure cleaner lubrication of the entire machine is recommended.

Cleaning and maintenance of filters

Clean filters ensure:

- Sprayer components such as valves, diaphragms and operating unit are not hindered or damaged during operation.
- Nozzle blockages do not occur whilst spraying.
- Long life of the pump. A blocked suction filter will result in pump cavitation.

The main filter protecting sprayer components is the suction filter at the top of the tank. Check it regularly.




Maintenance

Lubrication

About lubricants

- Always store lubricants clean, dry and cool - preferably at a constant temperature - to avoid contamination from dirt and condensed water.
- Keep oil filling jugs, hoppers and grease guns clean, and clean the lubricating points thoroughly before lubricating.
- Avoid skin contact with oil products for longer periods.
- **NOTE!** If the sprayer is cleaned with a high pressure cleaner or fertiliser has been used, lubrication of all sections is recommended.

Recommended lubricants

Lubricating points		Lubricant	
Ball bearings		A	Universal Lithium grease, NLGI No. 2 SHELL RETINAX EP2 CASTROL LMX GREASE
Slide bearings		B	Lithium grease with Molybdenumdisulphide or graphite SHELL RETINAX HDM2 CASTROL MOLYMAX
Oil lubricating points		C	TOTAL Transmission TM SAE 80W/90 CASTROL EPX 80W/90 SHELL SPIRAX 80W/90 MOBIL MOBILUBE 80W/90

044

*) Guidelines - greasing

- Follow the shown direction concerning recommended quantity.
- If no recommended quantity is given, feed lubricator till new grease becomes visible.

Maintenance

Lubrication & oiling plan

B - 50h - 30g

Use this quantity of grease (in gram)

Operating hours

Type of lubricant

5

Position on the sprayer



- 1
- 2
- 3
- 4
- 5

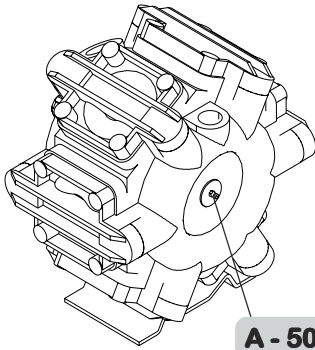
- 7
- 8
- 9
- 10



- 11

Maintenance

1

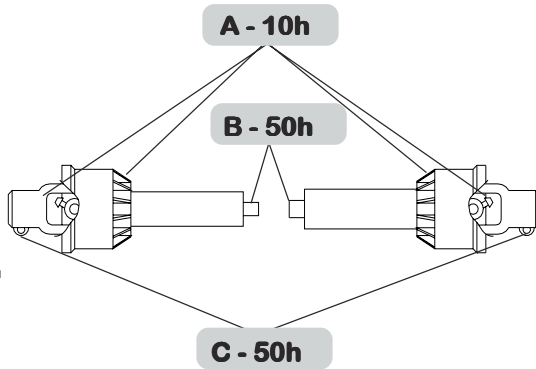


T201-0001

A - 50h - 40g/50g*

* Pump model 363 = 40g
Pump model 463 = 50g

2



T226-0001

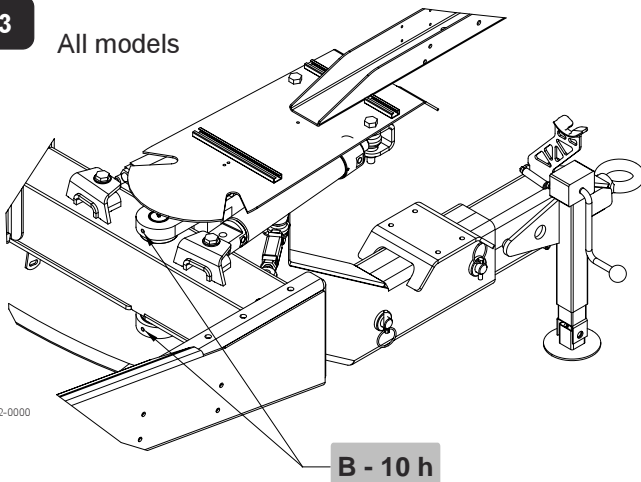
A - 10h

B - 50h

C - 50h

3

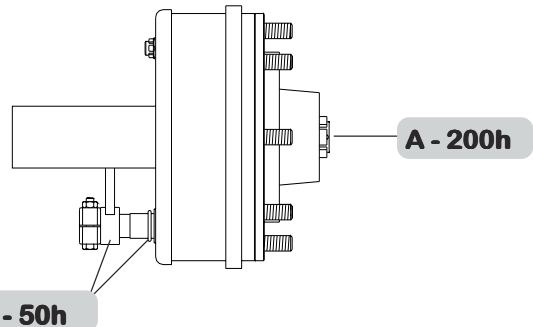
All models



T222-0000

B - 10 h

4

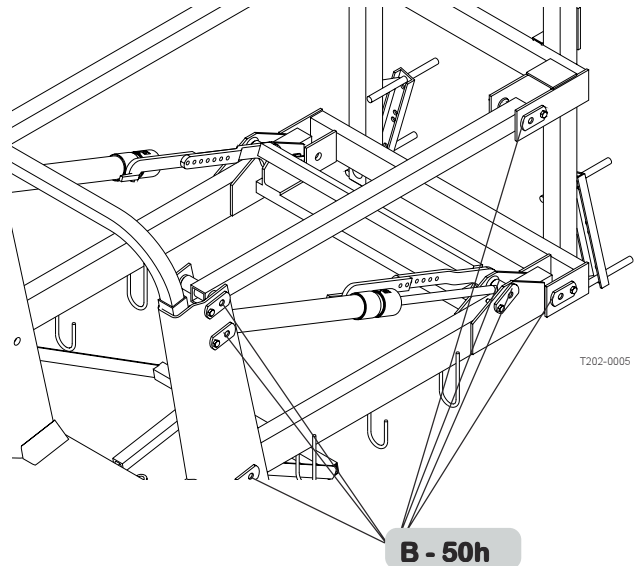


T202-0008

A - 200h

C - 50h

5

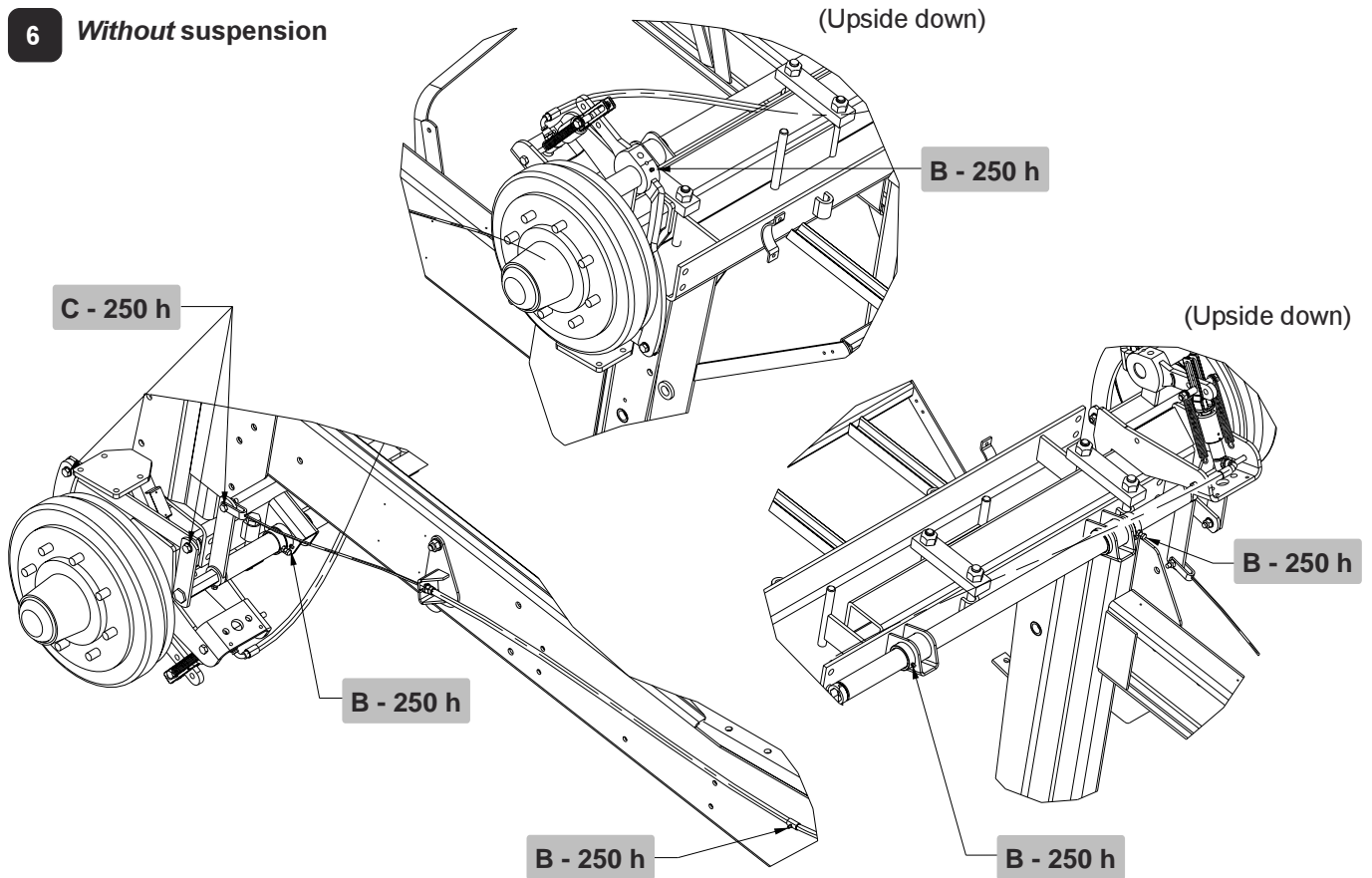


T202-0005

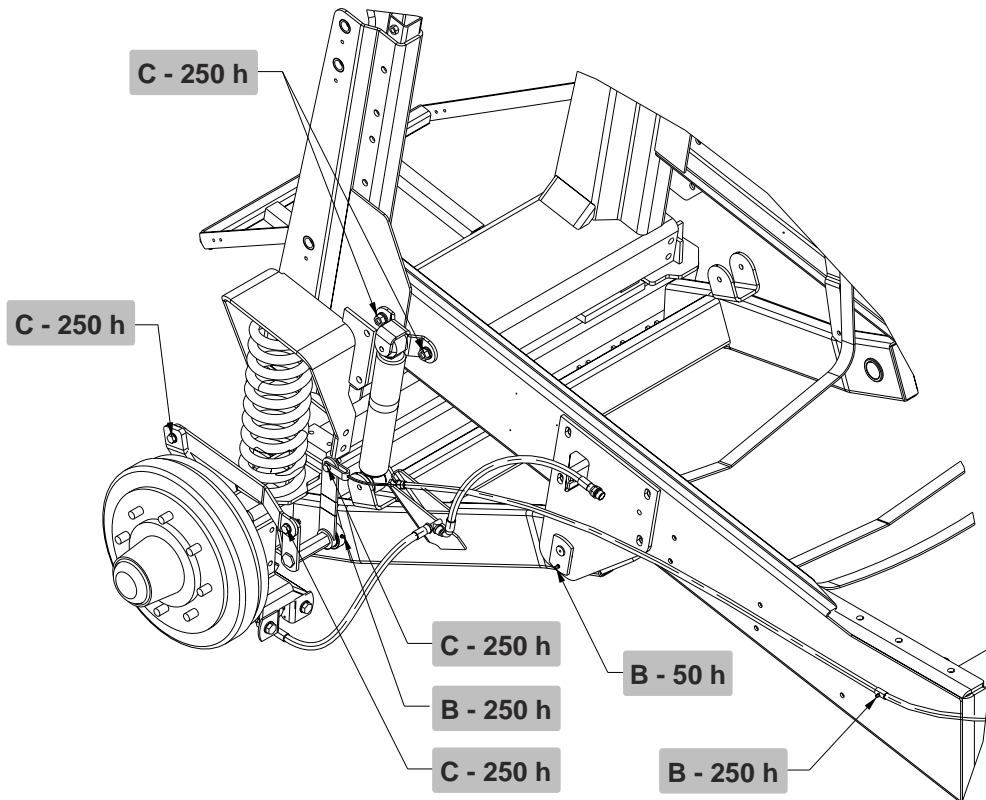
B - 50h

Maintenance

6 Without suspension



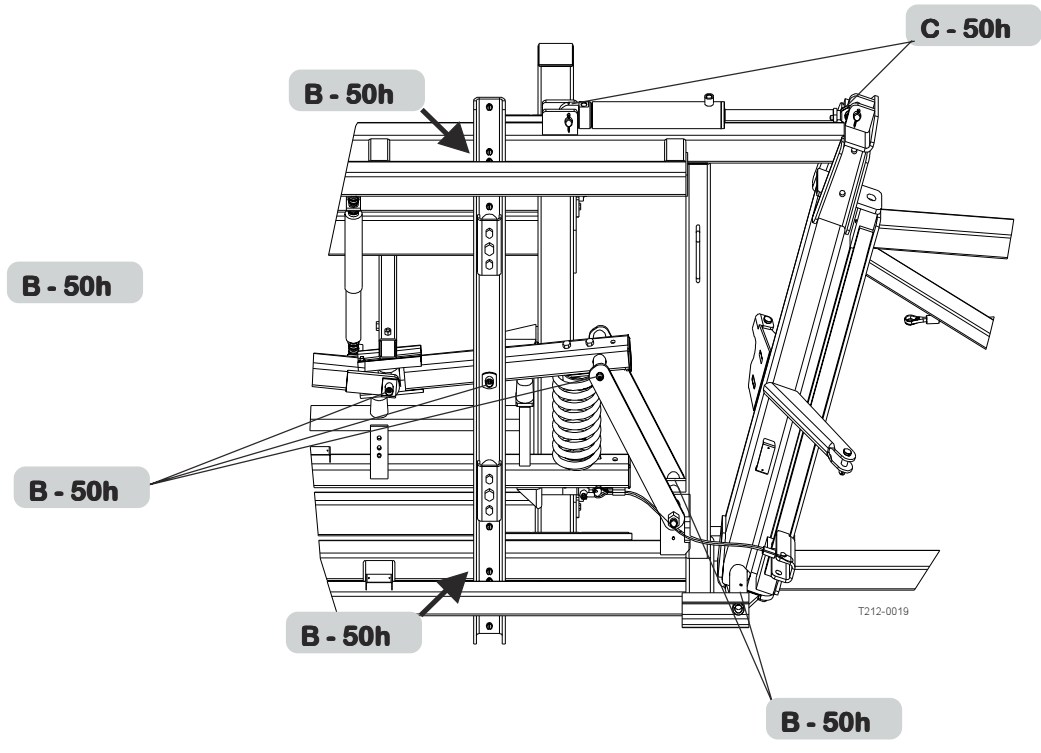
6 With suspension



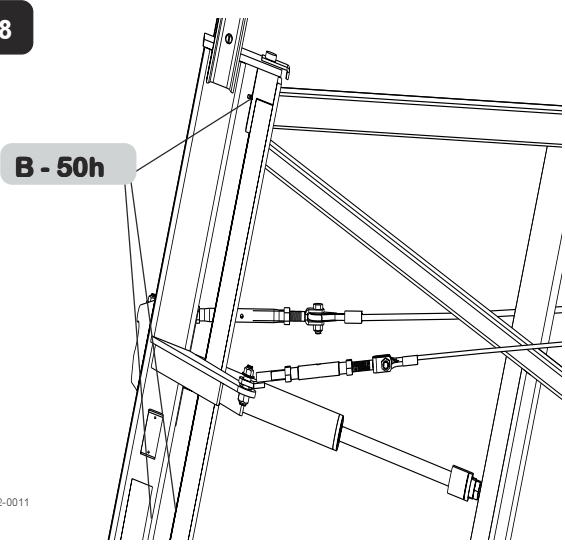
T219-0009GB

Maintenance

7

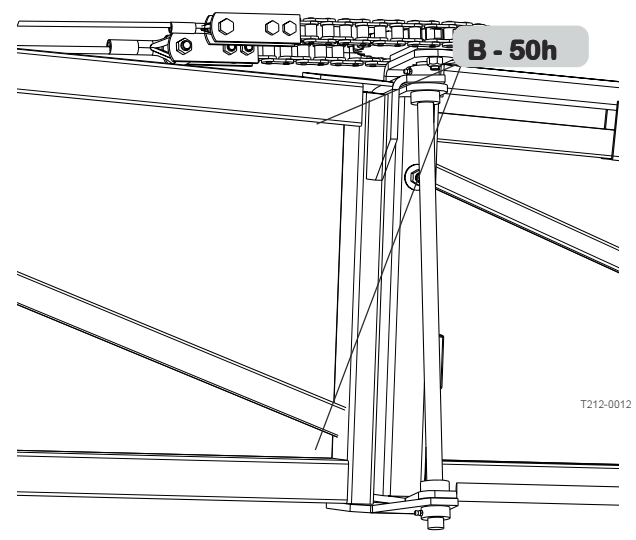


8



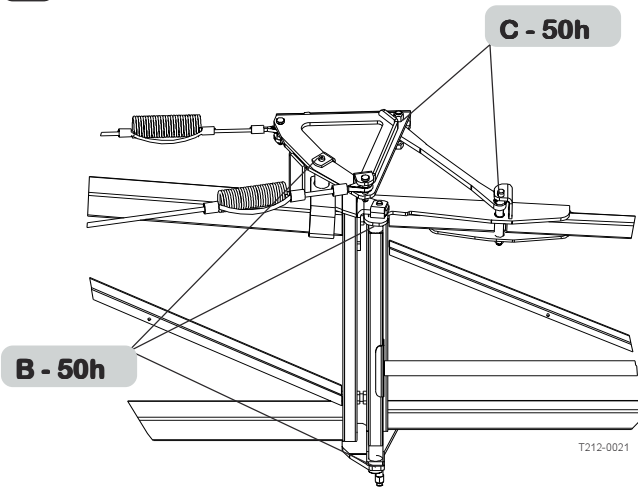
9

SPB only



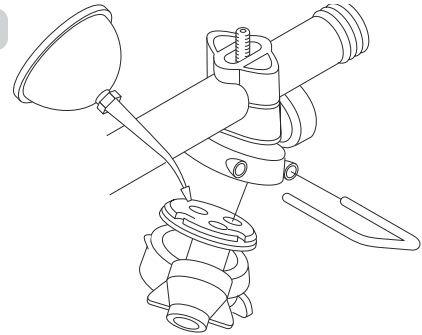
Maintenance

9 SPC only

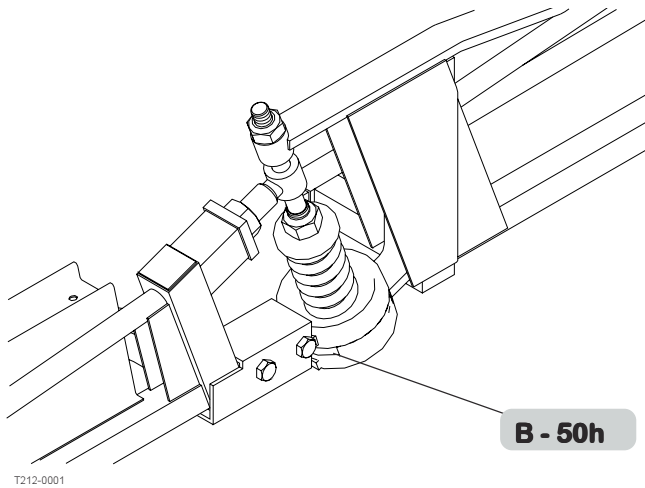


11 (If fitted)

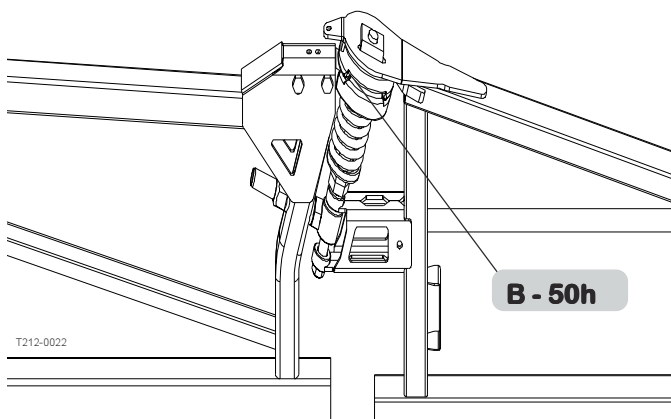
C - 500h



10 SPB only



10 SPC only



Maintenance

Service and Maintenance intervals

10 hours service

1. Suction filter, clean
2. Self-cleaning filter, check and clean gauze if necessary
3. In-line filters, clean
4. Nozzle filters, clean
5. Spraying circuit, check for leaks
6. Brakes Air tank, drain
7. Brakes, check
8. Retighten bolts (suspension only)

50 hours service

Do all previous mentioned +

1. Wheel bolts and nuts, tighten
2. Air brakes, check
3. Expansion bottle (SELF TRACK only), check air pressure
4. Tyre pressure, check
5. Transmission shaft, check

100 hours service

Do all previous mentioned +

1. Fixed drawbar, check/adjust

250 hours service

Do all previous mentioned +

1. Wheel bearings, check
2. Parking brake, inspect
3. Wheel brake, adjust
4. Air brake filters, clean
5. Hydraulic brakes, inspect
6. Hydraulic circuit, check
7. Expansion bottle (SELF TRACK only), check oil level
8. Hoses and tubes, check
9. Readjustment of the boom

1000 hours service or yearly, whichever comes first

Do all previous mentioned +

1. Wheel bearings and brakes, check
2. Transmission shaft, change parts
3. Change of bearings - centre and inner section

Maintenance

Occasional maintenance

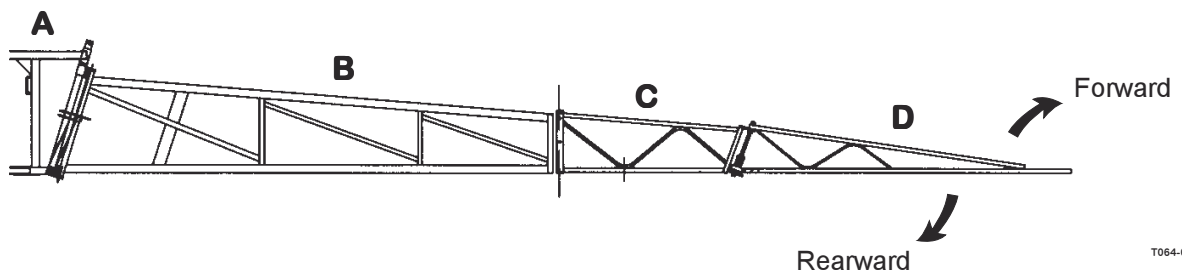
- Pump valves and diaphragms renewal
- Cone check/renewal, EVC operating unit
- Cone check/renewal, EVC distribution valve
- Wear bush renewal, boom lift
- Wear bush renewal, drawbar
- Venting the hydraulic damping system (SELF TRACK)
- TRACKER damper pressure setting (SELF TRACK)
- Shock absorbers, inspect
- Level indicator adjustment
- Cord renewal, level indicator
- Seal renewal, drain valve
- Nozzle tubes and fittings
- Replacement of transmission shaft protection guards
- Replacement of transmission shaft cross journals
- Adjustment of 3-way-valve
- Change of bulbs
- Adjustment of slanting control indicator cable
- Change of tyres
- Adjustment of breakaway device
- Yaw dampers
- Rubber dampers



Always check that all lock nuts are tight after adjustment

Glossary

The text in the following part refers to adjustments performed in the folds between the different boom sections. An overview of the names of the sections is shown here:



- A: Centre section
- B: Inner section
- C: Outer section
- D: Breakaway section

T064-0100

Maintenance

10 hours service

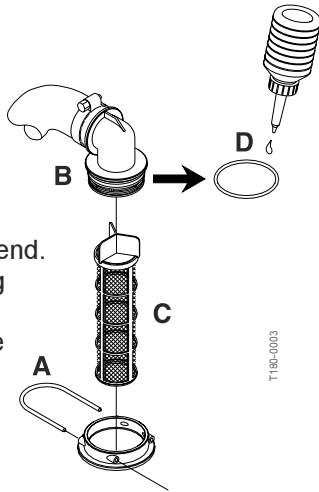
1. Suction filter

To service the suction filter:

1. Pull out the steel clip **A**.
2. Lift the suction hose fitting **B** from housing.
3. Filter guide and filter **C** can now be removed.

To reassemble:

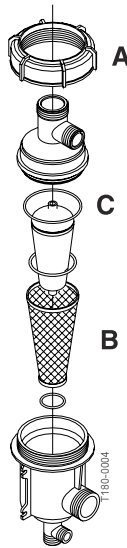
4. Press the guide onto filter end.
5. Place the filter into housing with guide facing up.
6. Ensure the O-ring **D** on the hose fitting is in good condition and lubricated.
7. Refit the suction hose **B** and steel clip **A**.



T180-0003

2. Self-Cleaning Filter

1. Unscrew nut **A** and open filter.
2. Check filter gauze **B**, clean if necessary
3. Lubricate O-ring **C**
4. Assemble filter again.

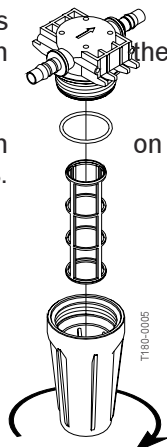


T180-0004

3. In-Line filter (if fitted)

If the boom is equipped with In-Line Filters unscrew the filter bowl to inspect and clean the filter.

Alternative filters are available. See section Technical specifications - Filters and nozzles.



T180-0005

4. Nozzle filters

Check and clean.



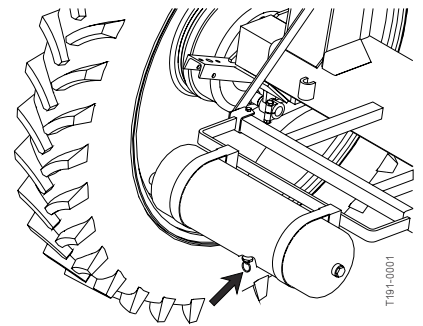
T180-0006

5. Spraying circuit

Fill with clean water, operate all functions and check for leaks using higher spray pressure than normal. Check nozzle spray patterns visually using clean water.

6. Brakes Air tank

Drain the air tank for condensed water at the drain valve.



T181-0001

7. Brakes

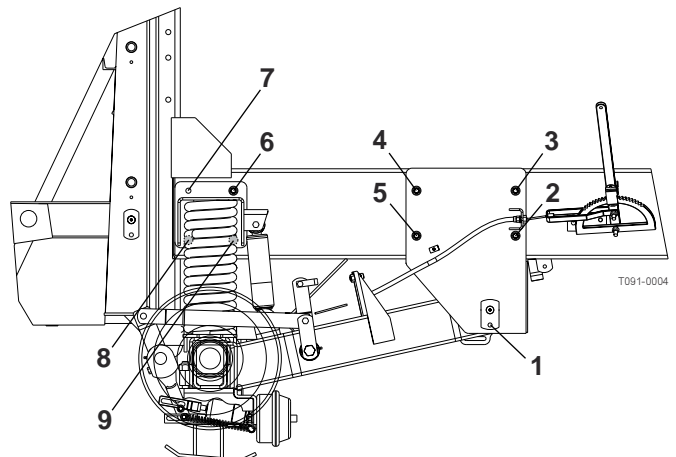
Apply brake pedal and check function of trailer brakes.

8. Retighten bolts (suspension only)

Check that these 9 bolts - on each side of the COMMANDER - are tight. Retighten if necessary. Tightening torque:

Bolt 1 = 24 Nm (retain nut on the backside of the mounting by a spanner while adjusting bolt 1).

Bolt 2-9: 280 Nm



T091-0004

Bolt 8 and 9 are situated behind the spring.

Maintenance

50 hours service

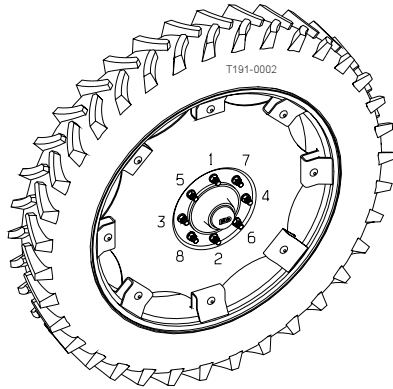
1. Wheel bolts and nuts

Tighten wheel bolts and nuts as follows with following torque wrench settings:

Wheel hub to rim plate: 490 Nm (362 lbft)

Rim plate to rim: 280 + 30 Nm (207 + 22 lbft)

Tightening sequence: See illustration (1-8).



2. Air brakes

The air brakes are checked for leaks by following procedure:

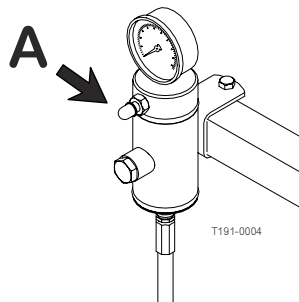
1. Connect the snap-couplers to the tractor and fill the trailer air tanks.
2. Check for leaks with brakes released.
3. Apply the brake up to full pressure.
4. Check for leaks with brakes applied.

3. Expansion bottle (SELF TRACK only)

Check air pressure in the expansion tank for the hydraulic damping at the pressure gauge.

Fill through valve A if necessary.

Air pressure: 5 bar (73 p.s.i.)



4. Transmission shaft

Check function and condition of the transmission shaft protection guards. Replace possible damaged parts.

5. Tyre pressure

Check the tyre pressure according to the table below.

Tyre size RC 95	Recommended inflation pressure in bar (p.s.i.)	Minimum Load Index A8/A2
230/95 R44	3.6 (52)	134/145
230/95 R48	3.6 (52)	136/147
270/95 R44	3.6 (52)	140/151
270/95 R48	3.6 (52)	142/153
300/95 R46	3.6 (52)	147/158
420/85 R38	1.6 (23)	141/152
520/70 R38	1.6 (23)	147/144
580/70 R38	1.2 (18)	154/151

002

IMPORTANT! If renewing tyres always use tyres with min. load index as specified in the table.



WARNING! Never inflate tyres more than to the pressure specified in the table. Over-inflated tyres can explode and cause severe personal injuries! See the part *Occasional Maintenance - Change of tyre*.

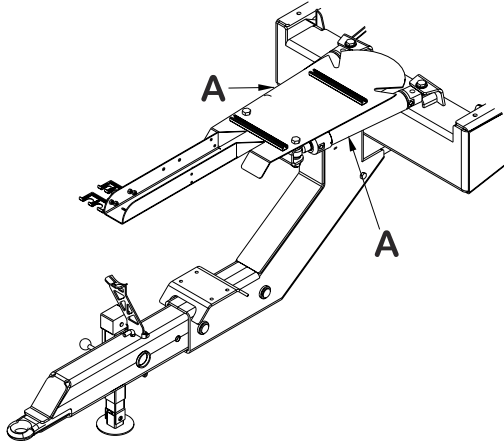
Maintenance

100 hours service

1. Check/adjust drawbar (Fixed drawbar only)

If too much play is found in the lateral movements of the drawbar it must be adjusted.

Regulate on the turnbuckles **A** on each side in order to adjust and centre the drawbar.



T251-0022

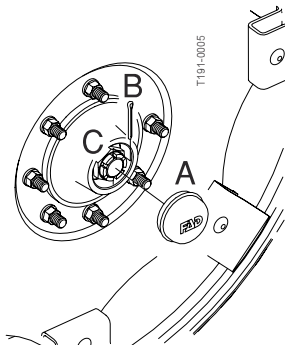
Maintenance

250 hours service

1. Wheel bearings

Check for play in the wheel bearings:

1. Place stop wedges in front of and behind LH wheel and jack up RH wheel
2. Rock the RH wheel to discover possible play in the bearings.
3. If any play, support the wheel axle to prevent the trailer from falling down from the jack.
4. Remove hub cap **A** and cotter pin **B**. Turn the wheel and tighten the castellated nut **C** until a slight resistance in the wheel rotation is felt.
5. Loosen the castellated nut until the first notch - horizontal or vertical - is aligned with the cotter pin hole in the shaft.
6. Fit a new cotter pin and bend it.
7. Fill the hub cap with fresh grease and press it on to the hub again.
8. Repeat the procedure on LH wheel.



2. Inspect parking brake

Inspect the following:

The parking brake lever:

If it can be pulled further backwards than 90° (midway), using a traction of approximate 25 kg., the cable needs to be adjusted.

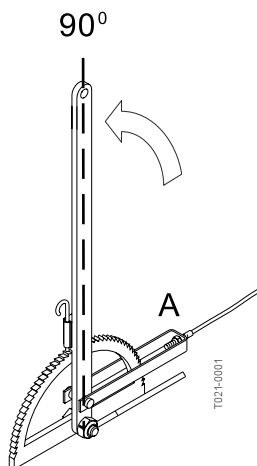
The parking brake cable:

When the parking brake is relieved, the cable must be limp; otherwise it needs to be adjusted.

Correct length: When the brake is relieved the cable must be tight and yet not stretched.

Lengthening/shortening of the parking brake cable is carried out by adjusting the nut **A**.

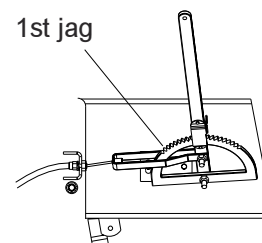
Inspect the parking brake cables for possible wear or damages. Replace worn or damaged parts.



3. Brake adjustment

Lift the back of the COMMANDER from the ground. It is recommended to use two lifting jacks, placed underneath the axle. Make sure the COMMANDER is stable and secured before carrying out any adjustments.

1. Place the handbrake in the first jag. (Please refer to illustration).

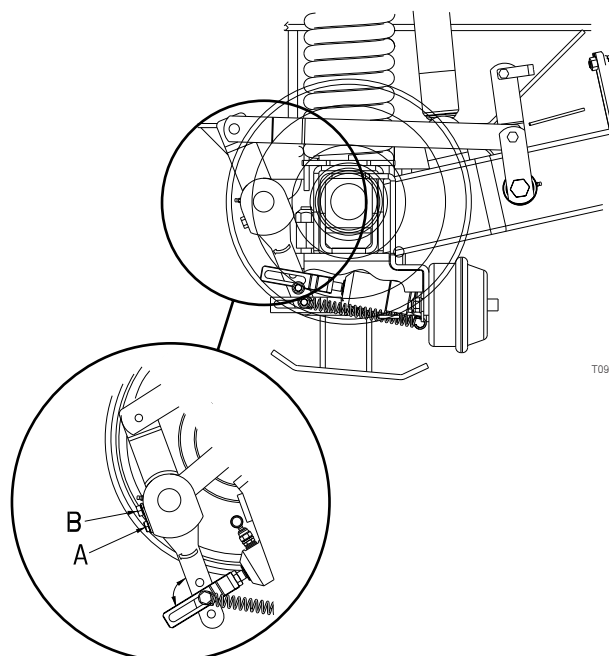


NOTE! The following adjustment must be carried out simultaneously on both brakes. Therefore, alternately adjust on both LH brake and RH brake.

2. Loosen nut **B**, lift and flip the small lock plate aside.
3. Adjust the nut **A** clockwise. Turn the nut 90° (1/4 turn) at a time - alternately on both LH and RH brake.

After each 1/4 turn:

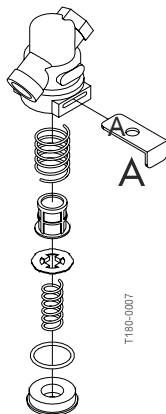
Check the hub by rotating it. Continue adjustment till resistance occurs. This adjustment is completed, when each hub is strained.



Maintenance

4. Air brake filters (if fitted)

1. Clean the area around air filter(s) and disconnect air hose from the tractor.
2. Hold one hand under the filter housing, and pull out the retainer clip **A**. The filter cartridge assembly will be pushed out by the springs inside the filter housing.
3. Clean the filter cartridge. Use water and an appropriate detergent or compressed air.
4. Dry the parts and reinstall in the order shown. The O-ring should be lightly lubricated with silicone grease before installation.



9. Readjustment of the boom

Please see next page.

5. Hydraulic brakes

Apply brakes to full pressure and inspect brake lines for damages or leaks. Replace damaged parts.

IMPORTANT! If the hydraulic brake lines have been dismantled the circuit must be primed afterwards:

1. Loosen brake hose at both brake cylinders.
2. Apply brake until oil without air bubbles come out.
3. Tighten brake hose before relieving the brake again.

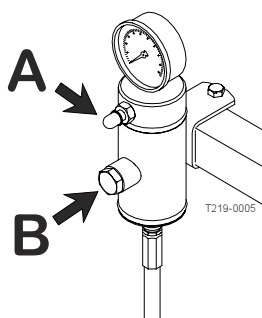
6. Hydraulic circuit

Check the hydraulic circuit for leaks and repair if any.

7. Expansion bottle (SELF TRACK only)

Check the oil level:

1. Depressurize the expansion bottle through valve **A** first.
2. Remove the level plug **B** and check that the oil level is reaching the level hole. Add if the level is low.
3. Tighten the plug again and inflate the bottle to 5 bar air pressure.



8. Hoses and tubes

Check all hoses and tubes for possible damages and proper attachment. Renew damaged hoses or tubes.

Maintenance

Readjustment of the boom

Before adjusting the boom please go through this check list:

- Lubricate the sprayer (please see part about Lubrication)
- Tractor and sprayer must be placed on level ground
- The boom should be unfolded (unless specific guidelines are given)
- If boom is equipped with slanting control: Set slanting angle at midway

Adjustment of hydraulic cylinders is best done without pressure in the hydraulic system.

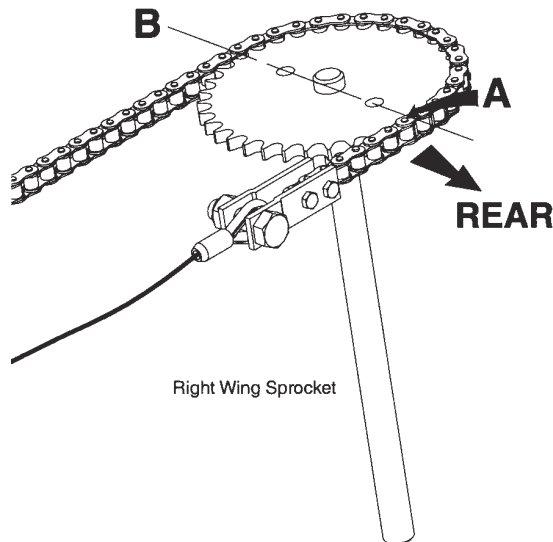


WARNING! NO ADMITTANCE UNDER THE BOOM WHILE ADJUSTMENT IS CARRIED OUT!

Checking and Adjusting sprocket timing (SPB only)

1. Unfold the boom and stand on its rear side.
2. Check that the pin connection **A*** in the timing chain is aligned with the centre line **B** between the sprocket cap screws.

*A = 7th pin connection



T064-0098

3. To adjust timing, loosen turnbuckles on the front and rear cables until slack.
4. Line up the chain and sprocket as indicated in step 2 above.

Alignment of centre section and inner section

1. Unfold the boom and check alignment of the inner section with the centre section.
2. If adjustment is necessary, relieve pressure from the cylinder by folding the boom a few centimetres.
3. Disconnect cylinder rod eye **A** from the inner section.

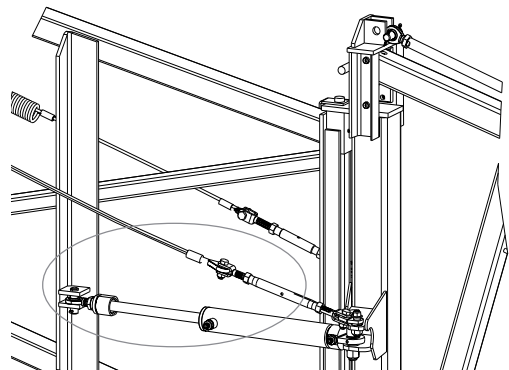
Note! Some cylinder rods have a machined flat which can be used for adjustments. If using this one for adjustment, leave the rod eye pinned to the boom.

4. Loosen jam nut **B** and adjust the length of the rod eye **A**.

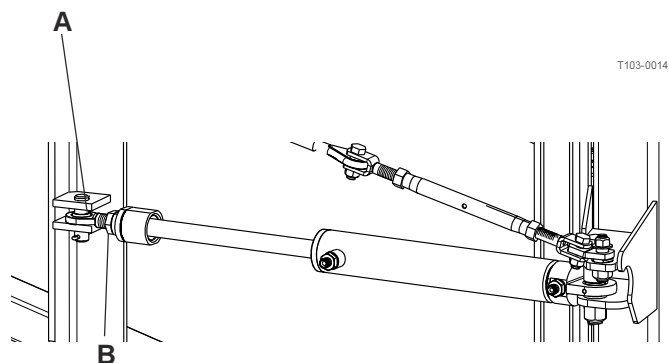
IN = to move the boom forward

OUT = to move the boom rearward

5. Tighten the jam nut **B** again. (Reattach the cylinder rod to the boom again, if it has been loosened).
6. Pressurize the cylinder to check boom alignment.



T103-0014



T103-0014

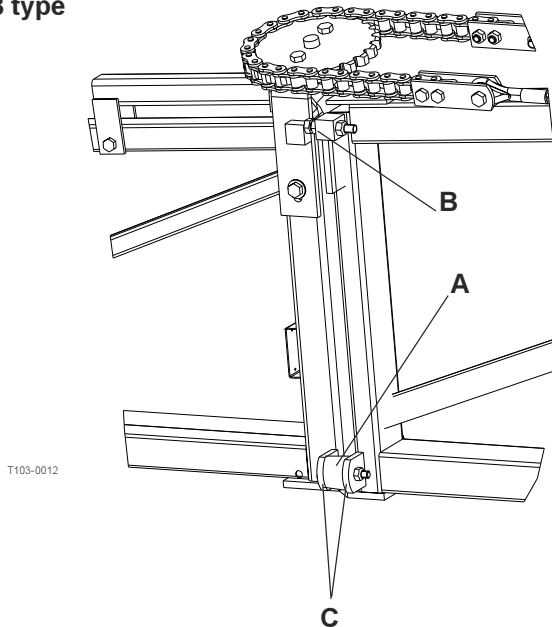
Maintenance

Alignment of inner section and outer section

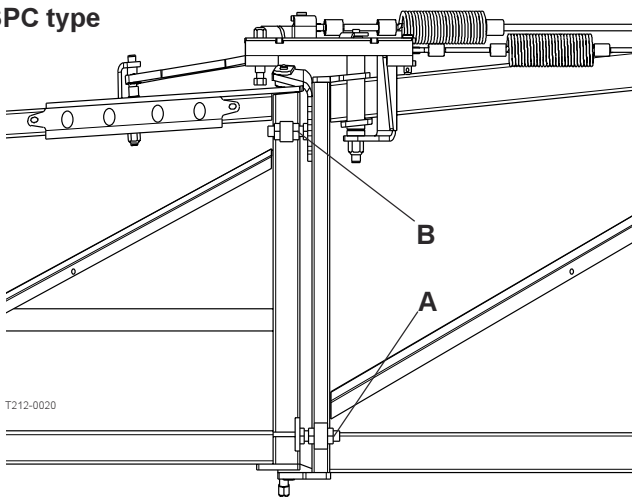
1. Unfold the boom and check that the boom wing is aligned. If adjustment is needed:
2. SPB type: Remove stop device **A** from the inner section. SPC type: Loosen stop device **A**.
3. Adjust the position of the adjusting bolt **B** on the inner section so that the cap of the bolt head **B** contacts top stop plate on outer section with inner and outer sections aligned. Tighten it in this position.
4. SPB type: Fit stop device **A** again. SPC type: Tighten stop device **A** again.

SPB only: Please note that the rubber stop (= stop device **A**) should be compressed **3-5 mm**. Therefore, check that the distance between the tabs **C** is a little less than the length of the rubber stop itself. The rubber stop may need to be spaced out with 1 or more flat washers in order to obtain correct compression. Tighten nut to hold it in place.

SPB type



SPC type



Adjusting the front fold cable

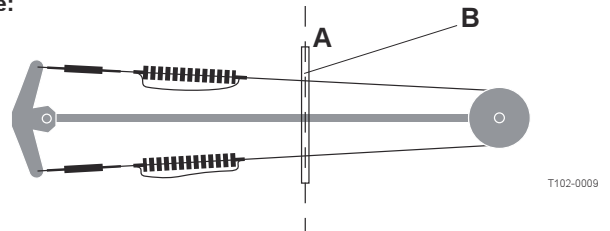
The performance of the SPB/SPC boom while spraying depends very much on the front fold cable adjustment. A correctly adjusted cable will also control the movement of the outer section.



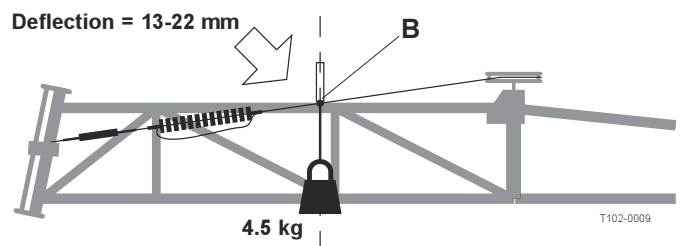
WARNING! The rear cable can snap and injure you or someone else if tensioned when the boom is unfolded. Always adjust the front cable first - with the boom unfolded and the rear cable last - with the boom folded in transport position.

1. Unfold the boom.
2. Check security of turnbuckle anchors to its hinges.
3. Slide a straight edge **A** down the underside of the inner section until it contacts the front cable = contact point (**B**).

Boom section seen from above:



4. Suspend a weight of 4.5 kg from the straight edge-to-cable contact point (**B**) and check deflection by measuring the distance from the straightedge to the cable. Cable should deflect 13-22 mm.

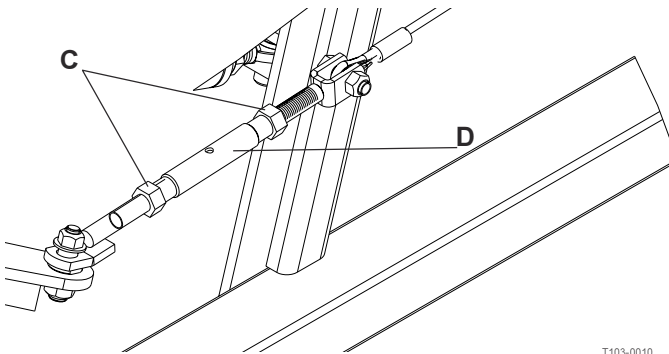


If adjustment is needed:

Maintenance

- Loosen jam nuts **C** on the turnbuckle assembly and adjust turnbuckle **D** for proper cable deflection.
- Tighten jam nuts **C** again and remove weight

IMPORTANT! Check boom alignment again. If front cable was tightened, the wing assembly will move a bit forward. If front cable was loosened, the wing assembly will move a bit rearward. Therefore, adjust fold cylinder, if necessary, as described in the section 'Alignment of centre section and inner section'.



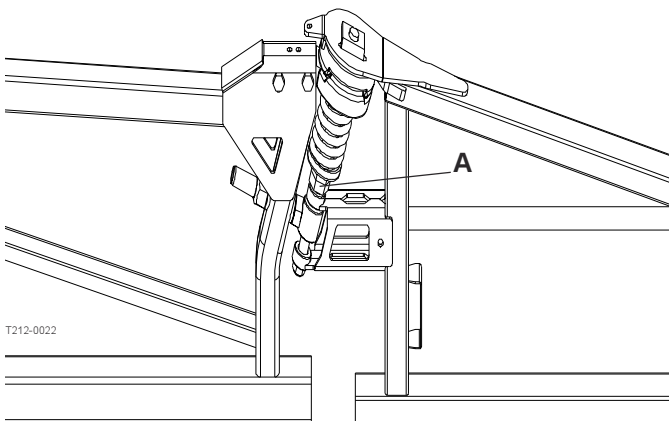
T103-0010

Adjusting the breakaway clutch

The function of the breakaway section is to prevent or reduce boom damage, should it strike an object or the ground.

Adjust the screw **A** until the breakaway will release at a force of 80 N at the extremity.

Please note that the clutch must be well greased before adjustment is commenced.



T212-0022

SPC type breakaway is shown here. Same principle applies for SPB type.

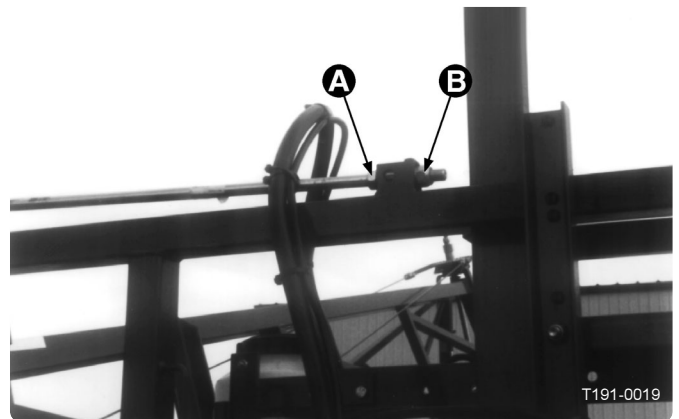
Adjusting boom level to ground

Unfold the boom and check that the boom sections are parallel to the centre frame and level to the ground. Adjust if necessary, as described below. Adjustment is carried out with the boom unfolded.

A. SPB-Y 18-21 m

- Loosen jam nut **A**.
- Adjust nut **B** - in or out - until boom wing is level to the ground.
- Secure jam nut **A** again.

Same procedure applies to both sides.

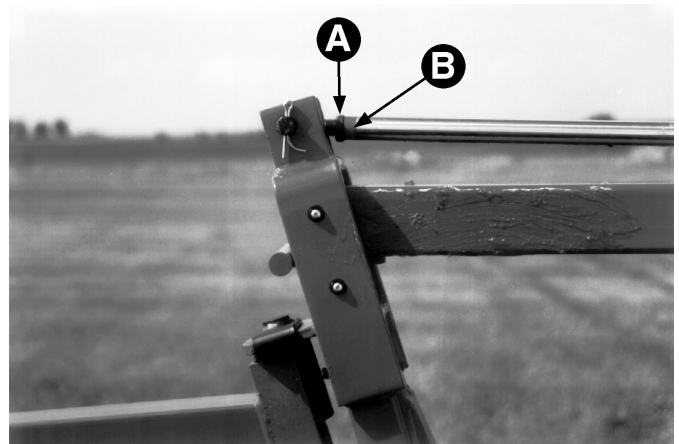


T191-0019

B. SPC-Y 24-28 m

- Loosen jam nuts **A** at both ends of rod **B**.
- Adjust length of rod **B** until boom wing is level to the ground.
Note! If rod is removed to adjust length, the boom wing must be supported.
- Secure jam nuts **A** again.

Same procedure applies to both sides.

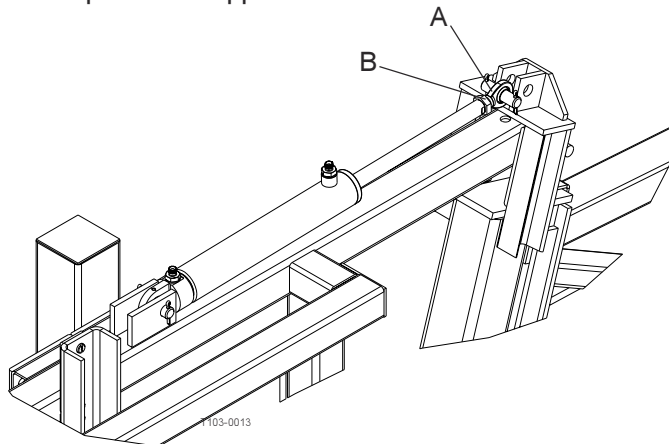


Maintenance

C. SPB-Z & SPC-Z models


1. Ensure that cylinder is fully extended.
2. Loosen jam nut **A**.
3. Apply an adjustable wrench to the machined surface at **B**.
4. Turn the cylinder rod until boom is level to the ground.
5. Secure jam nut **A** again.

Same procedure applies to both sides.

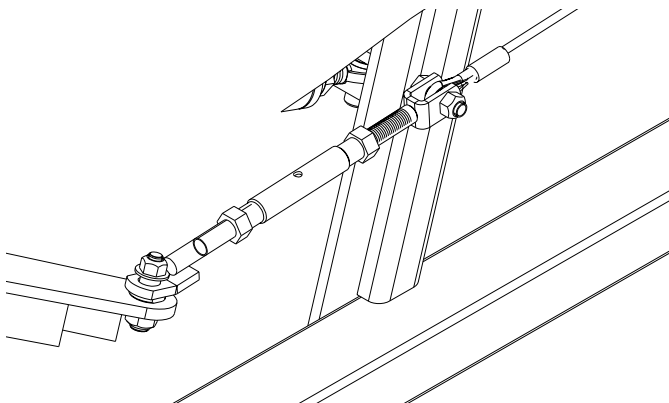


T103-0013

Adjusting rear cable

 **WARNING!** The rear cable can snap and injure you or someone else if tensioned when the boom is unfolded. Always adjust the front cable first - with the boom unfolded and the rear cable last - with the boom folded in transport position.

1. Raise boom to its highest position. Fold it to transport position with tilt cylinders fully extended. Make sure that fold cylinders are pressurized and that the boom is folded all the way in.
2. Ensure the boom transport brackets are in contact with the outer wing. Adjust if necessary.
3. Loosen the jam nuts on the turnbuckle. Adjust the turnbuckle so that the outer section contacts the boom transport bracket.




T103-0010

If 18-21 m boom: Turn the turnbuckle another 4 complete turns and retighten the jam nuts.

If 24-28 m boom: Turn the turnbuckle another 3 complete turns and retighten the jam nuts.

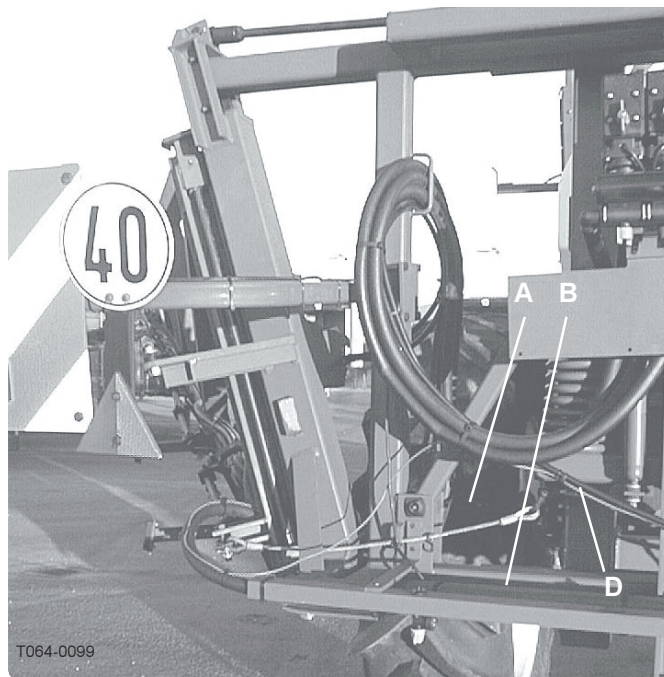
Adjusting centre section cables

The centre section cables keep the centre frame in correct position during folding procedure or when spraying with one side raised and folded (SPB-Z only).

 **WARNING!** Never adjust the centre cables without having folded the boom all the way into the transport position.

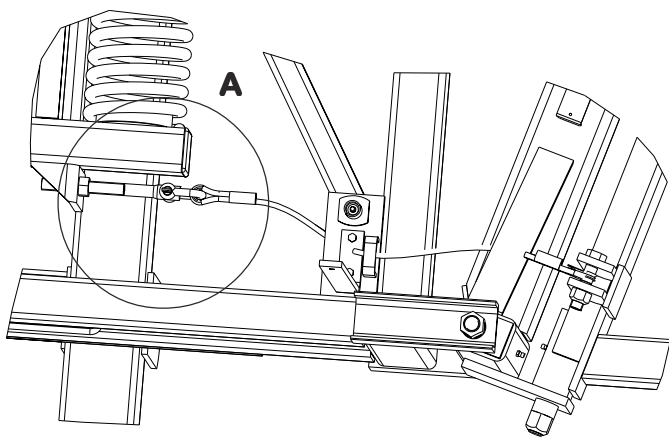
1. Fold the boom into transport position.
2. Check that the tilt cylinders are completely extended. Adjust if necessary (SPB-Z only).
3. Check that centre section cable **A** is routed over centre section nozzle bracket **B**.
4. Loosen jam nuts **C** on the bolt assembly **D**. This applies both boom wings.
5. Adjust the threaded bolt(s) **E**. Alternate from side-to-side while making adjustments.

IMPORTANT! Adjust both boom wings in one sequens. Adjust one cable a small amount at the time, and then the other cable, to equalize cable tension and maintain a level centre frame.

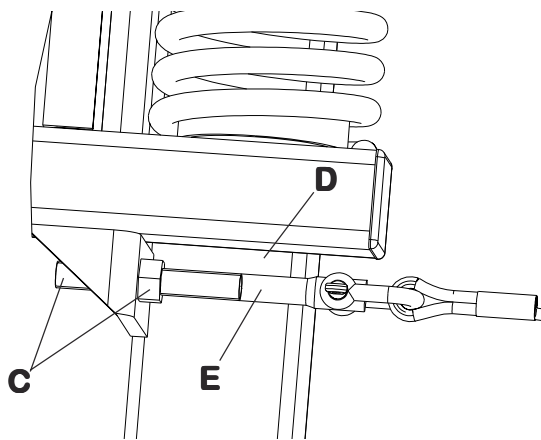


T064-0099

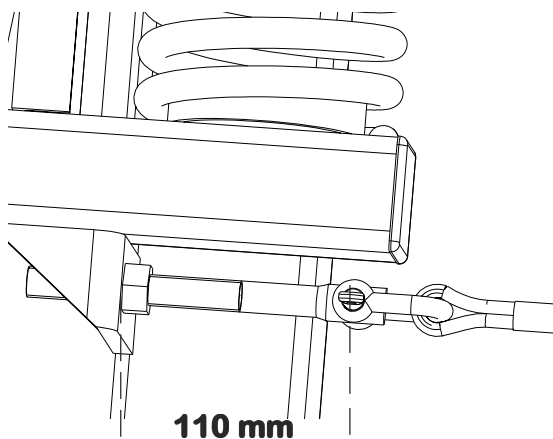
Maintenance



T103-0011



As a guideline for adjustment, follow the distance shown at the bolt assembly below:



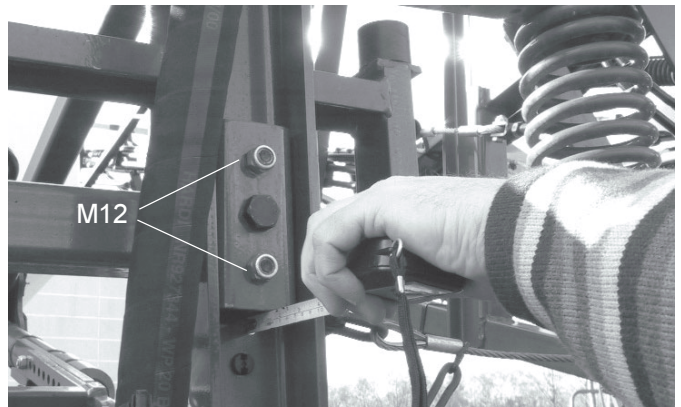
Properly adjusted cables will be very tight and only deflect a small amount (mm) when pulled by hand.

Note! Cables will be loose when the boom is unfolded.

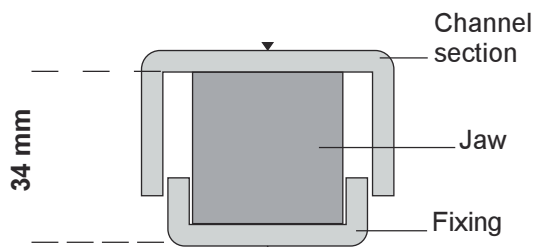
6. Tighten jam nuts **C** again.
7. Unfold the boom and inspect that the centre frame is correctly centred.

Jaw rubber dampers (SPC only)

Inspect basic adjustment of the rubber jaw dampers. Basic adjustment = The compression of the jaw should correspond to a distance of **34 mm** (+/- 0,5).



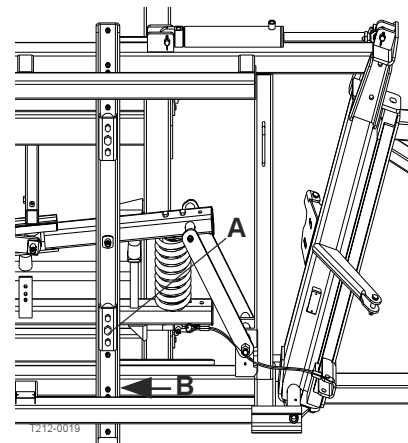
Measure and adjust the jaw if necessary by means of the two M12 bolts .



T112-0020

Yaw damping

Tighten/loosen bolt **A** to adjust slack at point **B**.



Guideline:

If boom does not work smoothly or if it works in 'steps':

Loosen bolt **A**

If boom works too loosely or swings uncontrollably:

Tighten bolt **A**

Note! Do not stress the bolt (**A**). Only tighten till contact is reached at point **B**.

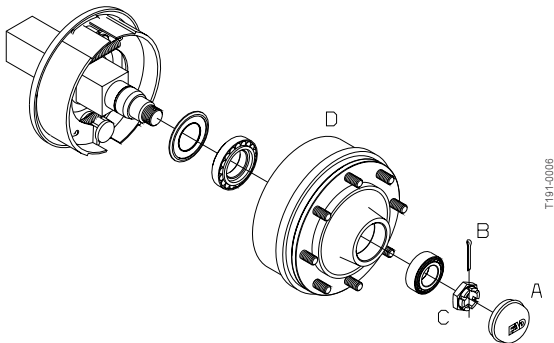
Maintenance

1000 hours service

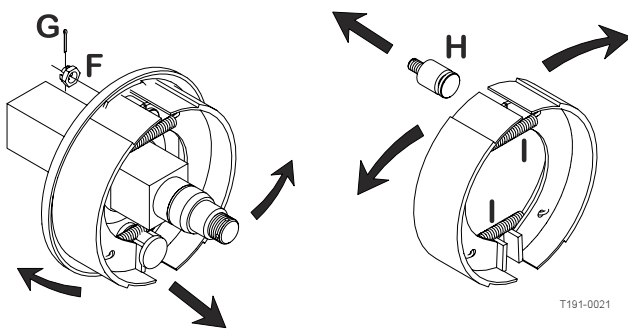
1. Wheel bearings and brakes

Check the condition of the bearings and brake wear parts in the following way:

1. Place stop wedges in front of and behind LH wheel and jack up RH wheel.
2. Support the trailer with axle stands.
3. Remove the wheel.
4. Remove the hub cap **A**, cotter pin **B** and castle nut **C**.
5. Pull off the wheel hub and brake drum assembly. Use a wheel puller if necessary.
6. Vacuum clean the brake drum **D** for brake dust or rinse with water.



WARNING! Brake dust can cause severe health injuries! Avoid inhalation of brake dust! Use respirator when servicing the brakes. Do not clean brakes with compressed air! Use vacuum cleaner or rinse with water to avoid brake dust being blown around.



7. Rinse the remaining parts on the brake carrier plate with water and dry them.
8. Remove roller bearings **E**, clean all parts in degreasing detergent and dry them.
9. Check the brake drum diameter and lining thickness - renew if worn.

Max. wear rates on brake components, mm (in)		
Model	2200/2800	3200/4200
Max. drum diameter	A 302 (11.8897)	402 (15.8388)
Min. lining thickness	B 2.0 (0.07874)	4.0 (0.15748)

IMPORTANT! The specified min. thickness is the absolute minimum which must never be exceeded. Renew the parts if they would reach the above dimensions before next service inspection.

IMPORTANT! Renewal of brake linings or brake drums must be done both sides at the same time.

NOTE! If the brake drum must be removed from the hub, a hydraulic press is required to press the wheel studs out.

10. Remove the clevis pin between the air diaphragm cylinder and brake cam lever.
11. Remove the cotterpin **G** and nut **F**, the brake shoe anchor bolt **H** and slide the brake shoes over the cam. Twist the pair of brake shoes to remove the shoe return springs **I**. Replace brake shoes if the linings are worn.
12. Apply a small qty. of copper paste on moving parts and assemble the brake shoes and shoe return springs again.

WARNING! Do not get oil, grease or copper paste in contact with the brake linings and drums.

13. Fit the shoe assembly with the anchor bolt first. Then pull the shoes away from each other and slide them over the cam afterwards. Tighten the anchor bolt castellated nut again and fit a new cotter pin.
14. Check roller bearings for discoloration and wear - renew if worn or damaged.
15. Assemble the hub and bearings using a new sealing ring **J**.
16. Fill the hub and bearings with fresh grease before fitting it to the shaft.
17. Fit the castellated nut. Rotate the hub and tighten the castellated nut until a slight rotation resistance is felt.
18. Loosen the castellated nut again until the first notch is aligned with the cotter pin hole in the shaft.

NOTE! The shaft has a vertical and an horizontal cotter pin hole. Use the one first aligned with the notch when loosening the castellated nut.

19. Fit a new cotter pin and bend it.
20. Fill the hub cap with fresh grease and carefully press it on to the hub.
21. Adjust the brakes as described in "200 hours service".
22. Fit the wheel again and tighten the wheel nuts. See section "50 hours service" regarding torque wrench setting. Tighten all bolts to half the specified torque first, then to the full specified torque.
23. Tighten again after 10 hours of work. Check the torque every day until it is stabilised.

WARNING! If you do not feel totally confident changing wheel bearings or brake shoes contact your HARDI dealers workshop.

Maintenance

2. Transmission shaft

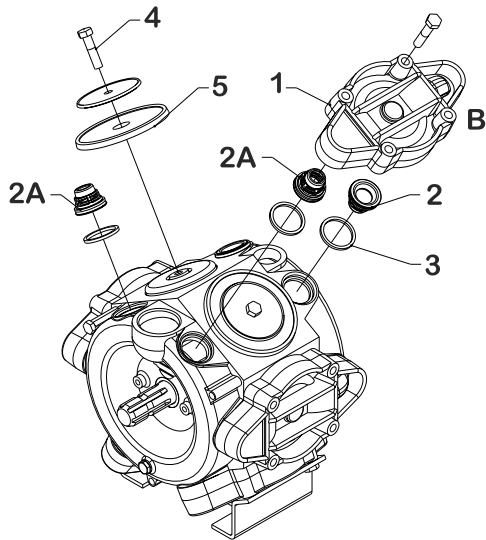
Change the protection tube nylon bearings as described under “Replacement of transmission shaft protection tubes” in the part *Occasional Maintenance*.

Maintenance

Occasional maintenance

The maintenance and renewal intervals for the following will depend very much on the conditions under which the sprayer will be operated and are therefore impossible to specify.

Pump valves and diaphragms renewal



T261-0001

Diaphragm pump overhaul kit (valves, seals, diaphragms etc.)

Pump model	HARDI part No.
363	750342
463	750343

Valves

Remove valve cover 1 before changing the valves 2 - note their orientation so they are replaced correctly!

NOTE! A special valve with white flap 2A is used at the two upperside inlets. It has to be placed in the valve openings as shown. All others are the type with black flap.

It is recommended to use new gaskets 3 when changing or checking the valves.

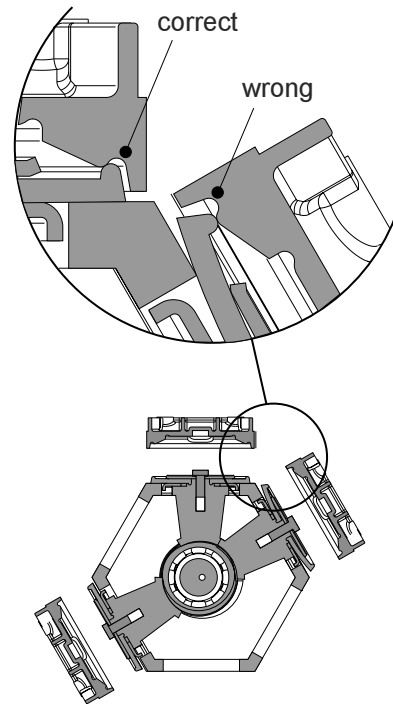
Diaphragms

Remove the diaphragm cover 4. The diaphragm 5 may then be changed. If fluids have reached the crankcase, re-grease the pump thoroughly. Also check that the drain hole at the bottom of the pump is not blocked. Reassemble with the following torque setting.

Pump model	Diaphragm cover Nm	Diaphragm bolt Nm
463	90	90
463	90	90

1 Nm = 0.74 lbft

IMPORTANT! Before tightening the 4 bolts for the diaphragm cover B the diaphragm must be positioned between centre and top to ensure correct sealing between diaphragm pumphousing and diaphragm cover. Turn crank shaft if necessary.

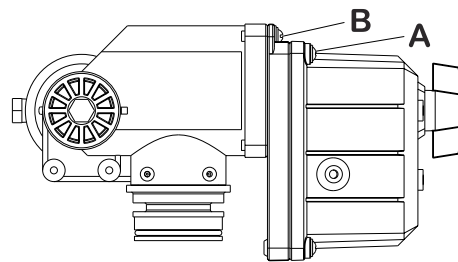


T192-0005

Cone check/renewal EVC operating unit

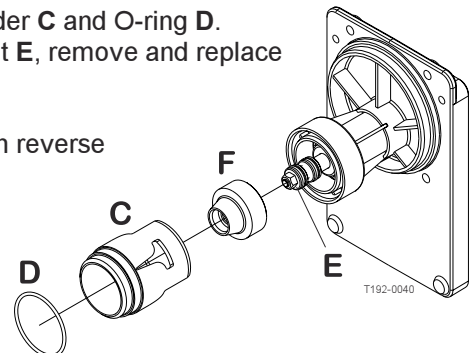
If it becomes difficult to build up sufficient pressure or if pressure fluctuations occur, it may be necessary to renew cone and cylinder. A HARDI kit is available for this purpose. Ref. no. 741293.

1. Remove 4 x screws A and remove the housing.
2. Remove 4 x screws B.



T192-0038

3. Replace cylinder C and O-ring D.
4. Loosen the nut E, remove and replace the cone F.
5. Reassemble in reverse order.



T192-0040

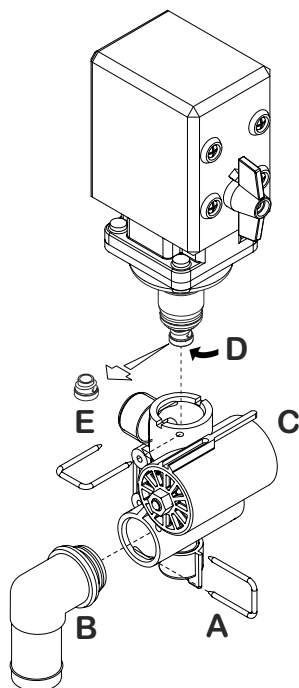
Maintenance

Cone check/renewal, EVC distribution valve

Periodically check the distribution valves for proper sealing. Do this by running the sprayer with clean water and open all distribution valves.

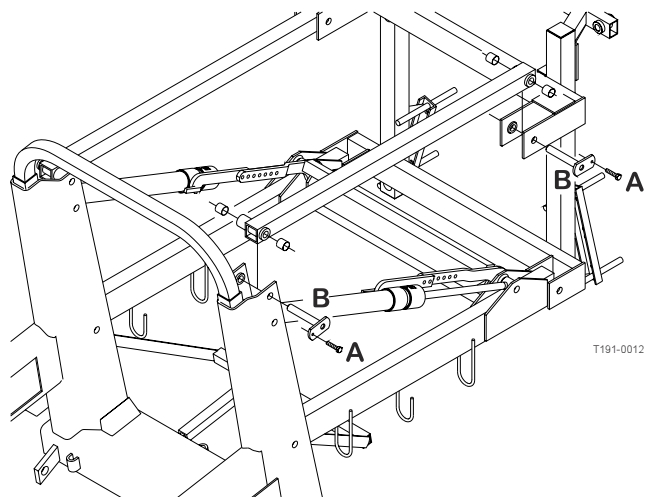
Cautiously remove the clip **A** and pull out the hose **B** for the pressure equalisation device. When the housing is drained, there should be no liquid flow through the pressure equalisation device. If there is any leakage, the valve cone **E** must be changed.

Remove the clip **C** and lift the motor housing off the valve housing. Then unscrew the screw **D** and replace the valve cone **E**. Reassemble in reverse order.



Wear bushing renewal, boom lift

The wear bushes are inspected and renewed before they are worn through.

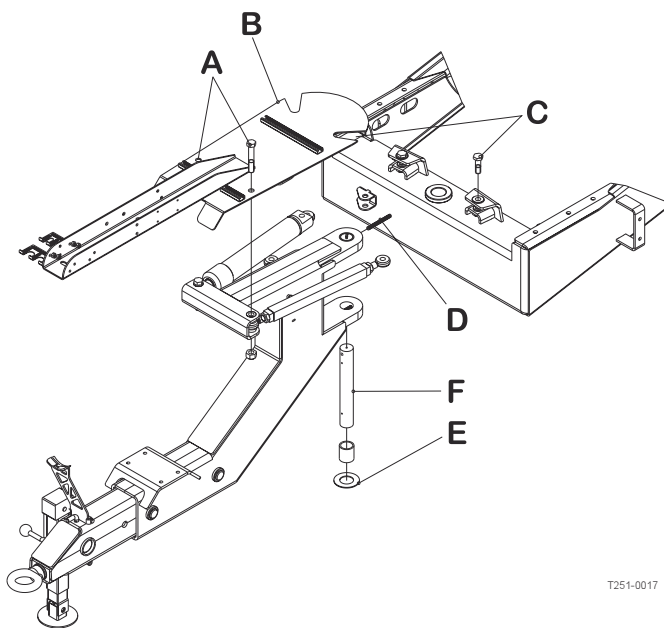


1. Connect the trailer to a tractor and unfold the booms to working position.
2. Lift the boom centre frame with a lifting device and support it until the load is taken off the parallelogram arms.
3. Remove the screws **A**, and pull out the pins **B** at one of the upper parallelogram arms and renew the wear bushes.
4. Refit the arm.
5. Repeat this on the other upper arm.

6. The lower arms must be disconnected simultaneously.
7. Grease all grease nipples.
8. Remove the lifting gear again.

Wear bushing renewal, drawbar (all TRACKER models)

If too much play is found in the drawbar the wear bushes must be renewed.



T251-0017

1. Place stop wedges in front of and behind both wheels.
2. Jack up the frame and support it properly.
3. If *not* a SELF TRACK model: Remove the drawbar extension to reduce the weight of the drawbar.
4. Loosen the two bolts **A** and support the bracket **B** in order to keep it in a level position (e.g. by a rope fastened to the platform railing).
5. Without dismantling the hydraulic system the hydraulic rams are removed from the drawbar by loosening the nuts **C**.
6. Support the drawbar and remove the two pin bolts **D**, the washer **E** and the pin **F**.
7. Move the drawbar to the side and support it.
8. Press out the worn bushes and fit new ones.
9. Assemble again in reverse order.
10. Grease through grease nipples.
11. Fit the extension piece in the drawbar again and place the sprayer on the support leg.
12. Remove jack and wedges.

Maintenance

Venting the hydraulic damping system (SELF TRACK only)

The following venting procedure requires a special venting kit, HARDI ref. no. 720725.

1. Place the trailer on the support leg so that the yoke goes free from the tractor and the rams can work freely.
2. Relieve the pressure in the expansion tank and remove the hydraulic hose.

NOTE! Plug the hose. If this is neglected, the pressure gauge may be damaged.

3. Fit the two test hoses in the pressure gauge outlets on the rams (at the rear of the track system).
4. Move the track system from one side to the other approx. 10 times (full swing).
5. Loosen the plug very carefully in order to leak the air out of the system.
6. Fit the hydraulic hose on the expansion tank.
7. Remove the level plug and using the tractor hydraulics, cautiously fill oil in the expansion tank until it reaches the level plug.
8. Fit the level plug and fill the expansion tank to an air pressure of 5 bar.
9. Fit the 0-400 bar pressure gauge on the pressure gauge outlet at the ram. Adjust the excess-pressure valve to approx. 40 bar.

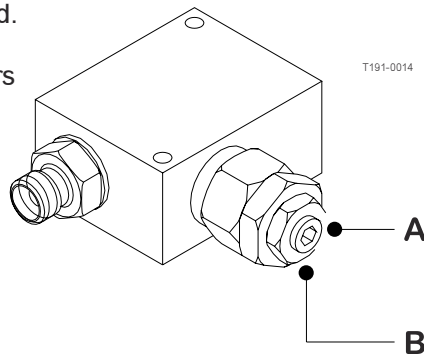
On flat ground it is possible to work with a lower opening pressure. This gives a more sensible reaction but it also results in the fact that the trailer can swing when driving on hilly ground and when swinging at high speed.

TRACKER damping pressure setting (SELF TRACK only)

The hydraulic pressure relief valves in the TRACKER's damping system is factory set to open at 40 bar (580 p.s.i.) which is adequate for most conditions.

If the damping seems too "soft" or too "hard", the settings can be adjusted.

Connect manometers to the Minimesh couplings and control if pressure is equal for both sides.



A = Adjusting screw
B = Self-locking nut

NOTE! Too low pressure will result in a swaying trailer. Too high pressure will influence on the ability to turn with the tractor.

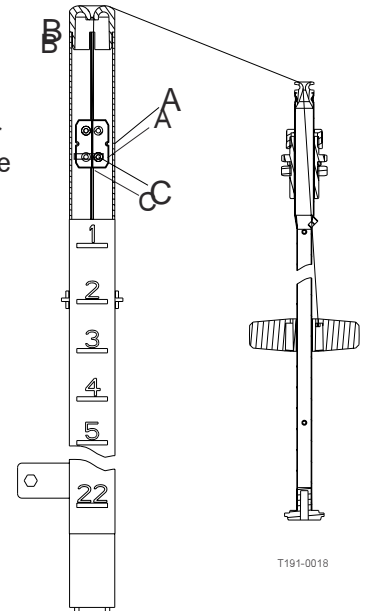
Shock absorbers

If the shock absorbers loose their efficiency or start leaking oil, they should be replaced.

Level indicator adjustment

The level indicator reading should be checked regularly.

When the tank is empty, the float should lie on the stop pin, of the rod, and the O-ring on the indicator should be positioned at the top position line A.



If any deviation is found, pull out the plug B, loosen screws C, and adjust the length of the cord.

Cord renewal, level indicator

If the cord on the level indicator has to be changed, the float guide pole is removed:

1. Remove the tank drain valve (see paragraph "Main tank drain valve") and loosen the fitting holding the pole in position.
2. Pull the pole down through the drain valve hole till it is free in the top of the tank.
3. The pole can now be taken out of the tank through the filling hole.



DANGER! Do not attempt to enter the tank - the float pole can be removed from outside the tank!

Seal renewal, drain valve

If the main tank drain valve leaks, the seal and seat can be changed the following way.



DANGER! Do not enter the inside of the tank - the parts can be changed from underneath the tank!

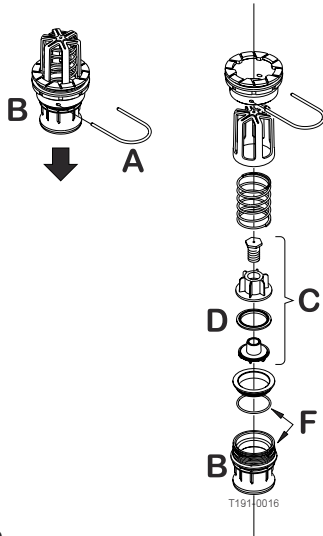


WARNING! Use eye / face protection mask when dismantling the tank drain valve!

1. Make sure the tank is empty and clean.
2. The valve must be closed and the string loose.

Maintenance

3. Pull out the clip **A** and pull down connecting piece **B**. The entire valve assembly can now be pulled out.
4. Check cord and valve flap assembly **C** for wear, replace seal **D** and assemble again.
5. Assemble the valve assembly again using a new valve seat **E**. Lubricate O-rings **F** before assembly.
6. Fit clip **A** again.



NOTE! Check function of valve with clean water before filling chemicals into the tank.

Nozzle tubes and fittings

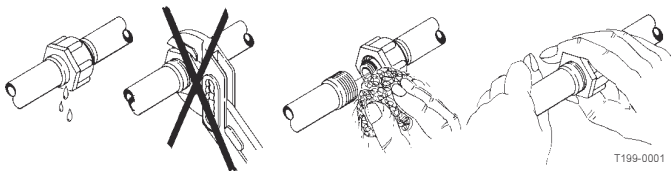
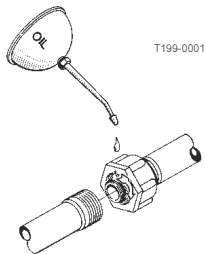
Poor seals are usually caused by:

- Missing O-rings or gaskets
- Damaged or incorrectly seated O-rings
- Dry or deformed O-rings or gaskets
- Foreign bodies

In case of leaks:

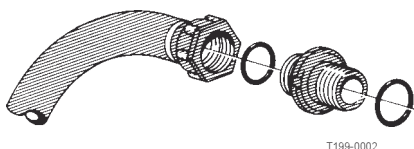
DO NOT overtighten. Disassemble, check condition and position of O-ring or gasket. Clean, lubricate and reassemble.

The O-ring must be lubricated **ALL THE WAY ROUND** before fitting on to the nozzle tube. Use non-mineral lubricant.



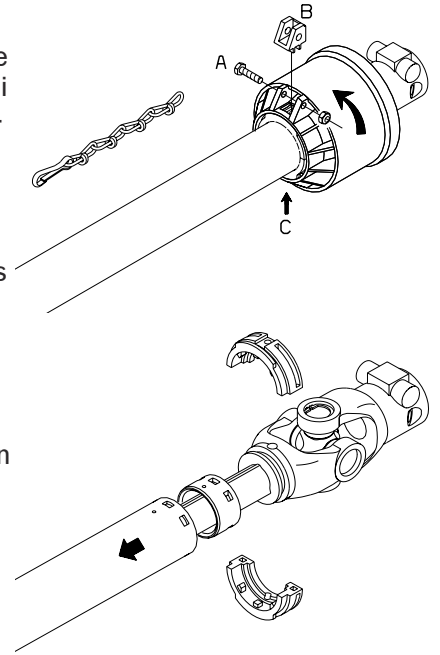
For **RADIAL** connections only hand-tighten them.

For **AXIAL** connections, a little mechanical leverage may be used.



Replacement of transmission shaft protection guards

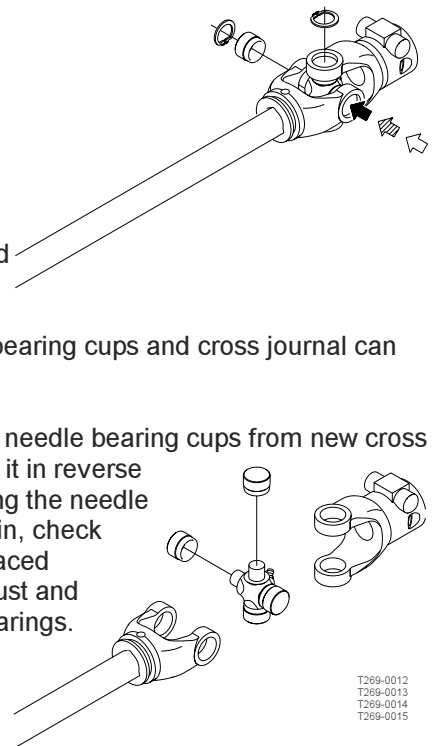
1. Remove bolt **A**, lock **B** and grease nipple **C**. Twist uni CV-joint cover 1/4 turn and pull it backwards.
2. Remove the synthetic bearings and protection tube.
- 2a. Remove inner bush from protection tube.
3. Assemble again in reverse order, using new parts where necessary. Remember to fit chains again.
4. Grease bearings.



NOTE! Only use genuine HARDI spare parts to service the transmission shaft.

Replacement of transmission shaft cross journals.

1. Remove protection guard as described previously.
2. Remove Seeger circlip rings
3. Press the cross journal sideways - use hammer and mandrel if necessary.
4. Remove needle bearing cups and cross journal can now be removed.
5. Carefully remove needle bearing cups from new cross journal and install it in reverse order. Before fitting the needle bearing cups again, check that needles is placed correctly. Avoid dust and dirt in the new bearings.



T269-0012
T269-0013
T269-0014
T269-0015

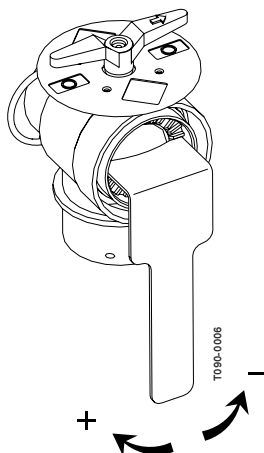
Maintenance

Adjustment of 3-way-valve

The MANIFOLD valve can be adjusted if it is too tight to operate - or if it is too loose (= liquid leakage).

Correct setting is when the valve can be operated smoothly by one hand

Use a suitable tool and adjust the toothed ring inside the valve as shown on the drawing.



Change of bulbs

Overview of bulbs used.

Rear combi lamp, HELLA		
Function	Bulb type (DIN)	Volt / Watt
Rear lamp	R5W	12V / 5W
Stop lamp	P21W	12V / 21W
Direction indicator	P21W	12V / 21W
Rear combi lamp, GEKA (with warning boards)		
Function	Bulb type (DIN)	Volt / Watt
Rear lamp	R5W	12V / 5W
Stop lamp	P21W	12V / 21W
Direction indicator	P21W	12V / 21W
Position lamp, front	(GEKA)	12V / 5W
Boom and work lamps		
Function	Bulb type (DIN)	Volt / Watt
Boom lamp	H3	12V / 55W
Working lamp	124 98	12V / 21W
Number plate lamp, HELLA		
Function	Bulb type (DIN)	Volt / Watt
Number plate lamp	R10W	12V / 10W
Side marking combi lamp		
Prise out the lens carefully from the rubber housing to remove the bulb.		
Function	Bulb type (DIN)	Volt / Watt
Side marking combi lamp white, red yellow	R5W	12V / 5W

To change a bulb

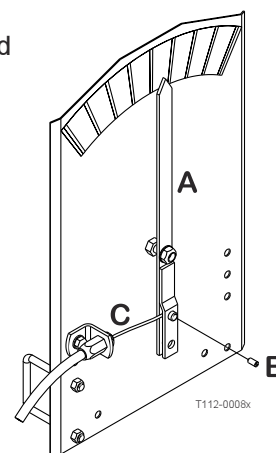
1. Switch off the light
2. Loosen the screws on the lamp and remove the cover or lens.
3. Remove the bulb
4. Fit a new bulb, refit the cover and tighten the screws.

NOTE! If halogen bulbs are used, never touch the bulb with the fingers. Natural moisture in the skin will cause the bulb to burn out when the light is switched on. Always use a clean cloth or tissue when handling halogen bulbs.

Adjustment of slanting indicator (if fitted)

If the position of the pointer on the indicator does not correspond to the actual boom position, the pointer **A** can be adjusted.

1. Loosen the small bolt **B** sufficiently to allow the wire **C** to be adjusted.
2. Place the pointer **A** in correct position and fasten bolt **B** against the wire **C** again.



Maintenance

Change of tyre

Should it be necessary to replace tyres, it is recommended to leave this to a specialist and follow the mentioned rules.

1. Always clean and inspect the rim before mounting.
2. Always check that the rim diameter corresponds exactly to the rim diameter moulded on the tyre.
3. Always inspect inside of the tyre for cuts, penetrating objects or other damages. Repairable damages should be repaired before installing the tube. Tyres with unrepairable damages must never be used.
4. Also inspect inside of the tyre for dirt or foreign bodies and remove it before installing the tube.
5. Always use tubes of recommended size and in good condition. When fitting new tyres always fit new tubes.
6. Before mounting, always lubricate both tyre beads and rim flange with approved lubricating agent or equivalent anti-corrosion lubricant. Never use petroleum based greases and oils because they may damage the tyre. Using the appropriate lubricant the tyre will never slip on the rim.
7. Always use specialised tools as recommended by the tyre supplier for mounting the tyres.
8. Make sure that the tyre is centred and the beads are perfectly seated on the rim. Otherwise danger of bead wire tear can occur.
9. Inflate the tyre to 100-130 kPa (14.5-19 p.s.i.) then check whether both beads are seated perfectly on the rim. If any of the beads do not seat correctly, deflate the assembly and re-centre the beads before starting inflation of the tyre. If the beads are seated correctly on the rim at 100-130 kPa inflate the tyre to a maximum of 250 kPa (36 p.s.i.) until they seat perfectly on the rim.
10. Never exceed the maximum mounting pressure moulded on the tyre!
11. After mounting tyres adjust inflation pressure to operation pressure recommended by the tyre manufacturer.
12. Do not use tubes in tubeless tyres.



WARNING! Non observance of mounting instructions will result in the bad seating of the tyre on the rim and could cause the tyre to burst leading to serious injury or death!



WARNING! Never mount or use damaged tyres or rims!

Use of damaged, ruptured, distorted, welded or brazed rim is not allowed!

Maintenance

Off-season storage

When the spraying season is over, you should devote some extra time to the sprayer.

If chemical residue is left over in the sprayer for longer periods, it can reduce the life of the individual components.

Off-season storage program

To preserve the sprayer intact and to protect the components, carry out following off-season storage program.

1. Clean the sprayer completely - inside and outside - as described under "Cleaning of the sprayer". Make sure that all valves, hoses and auxiliary equipment have been cleaned with detergent and flushed with clean water afterwards, so no chemical residue is left in the sprayer.
2. Renew possible damaged seals and repair possible leaks.
3. Empty the sprayer completely and let the pump work for a few minutes. Operate all valves and handles to drain as much water off the spraying circuit as possible. Let the pump run until air is coming out of all nozzles. Remember to drain the rinsing tank also.
4. Pour appr. 50 litre (11 Imp.gal) anti-freeze mixture consisting of 1/3 automotive anti-freeze and 2/3 water into the tank.
5. Engage the pump and operate all valves and functions on the MANIFOLD, operating unit, FILLER etc. allowing the anti-freeze mixture to be distributed around the entire circuit. Open the operating unit main on/off valve and distribution valves so the anti-freeze is sprayed through the nozzles as well. The anti-freeze will also prevent O-rings, seals, diaphragms etc. from drying out.
6. Lubricate all lubricating points according to the lubricating scheme - regardless of intervals stated.
7. When the sprayer is dry, remove rust from possible scratches or damages in the paint and touch up the paint.
8. Remove the glycerine-filled pressure gauges and store them frost free in vertical position.
9. Apply a thin layer of anti-corrosion oil (e.g. SHELL ENSIS FLUID, CASTROL RUSTILLO or similar) on all metal parts. Avoid oil on rubber parts, hoses and tyres.
10. Fold the boom in transport position and relieve pressure from all hydraulic functions.

11. All electric plugs and sockets are to be stored in a dry plastic bag to protect them against damp, dirt and corrosion.
12. Remove the control boxes and the HARDI PILOT control box + display from the tractor, and store them dry and clean (in-house).
13. Wipe hydraulic snap-couplers clean and fit the dust caps.
14. Apply grease on all hydraulic ram piston rods which are not fully retracted in the barrel to protect against corrosion.
15. Chock up the wheels, to prevent moisture damage and deformation of the tyres. Tyre blacking can be applied to the tyre walls to preserve the rubber.
16. Drain air brake tank for condensed water.
17. To protect against dust the sprayer can be covered by a tarpaulin. Ensure ventilation to prevent condensation.

Preparing the sprayer for use after storage

After a storage period the sprayer should be prepared for the next season the following way:

1. Remove the cover
2. Remove the support from the wheel axle and adjust the tyre pressure.
3. Wipe off the grease from hydraulic ram piston rods.
4. Fit the pressure gauges again. Seal with Teflon tape.
5. Connect the sprayer to the tractor including hydraulics and electric's.
6. Check all hydraulic and electric functions.
7. Empty the tank for remaining anti-freeze.
8. Rinse the entire liquid circuit on the sprayer with clean water.
9. Fill with clean water and check all functions.
10. Check function of brakes. Please note that brake power will be reduced until the rust are worn off the drums. Always brake lightly until the drums are clean.

Fault-finding

Operational problems

In cases where breakdowns have occurred, the same factors always seem to be in question:

1. Minor leaks on the suction side of the pump will reduce the pump capacity or stop the suction completely.
2. A clogged suction filter will hinder or prevent suction so that the pump does not operate satisfactorily.
3. Clogged up pressure filters will result in increasing pressure at the pressure gauge but lower pressure at the nozzles.
4. Foreign bodies stuck in the pump valves with the result that these cannot close tightly against the valve seat. This reduces pump efficiency.
5. Poorly reassembled pumps, especially diaphragm covers, will allow the pump to suck air resulting in reduced or no capacity.
6. Hydraulic components that are contaminated with dirt result in rapid wear to the hydraulic system.

Therefore ALWAYS check:

1. Suction, pressure and nozzle filters are clean.
2. Hoses for leaks and cracks, paying particular attention to suction hoses.
3. Gaskets and O-rings are present - and in good condition.
4. Pressure gauge is in good working order. Correct dosage depends on it.
5. Operating unit works properly. Use clean water to check.
6. Hydraulic components are maintained clean.

TRACKER damping system

FAULT	PROBABLE CAUSE	CONTROL/REMEDY
Sprayer trails unstable	Air pockets in the hydraulic circuit	Prime hydraulic circuit
	Hydraulic circuit leaking	Repair leak, prime
	Pressure relief valve(s) set too low	Adjust pressure relief valves
Rear hydraulic rams are too tight and vehicle continues straight ahead when trying to turn	Insufficient counter weight on front of tractor	Ad ballast on front of tractor
	Pressure relief valve set too high	Adjust pressure relief valves

Fault-finding

Liquid system

FAULT	PROBABLE CAUSE	CONTROL/REMEDY
No spray from boom when turned on.	Air leak on suction line.	Check if suction filter O-ring is sealing. Check suction tube and fittings. Check tightness of pump diaphragm and valve covers.
	Air in system.	Fill suction hose with water for initial prime.
	Suction / pressure filters clogged.	Clean filters. Check yellow suction pipe is not obstructed or placed too near the tank bottom.
Lack of pressure.	Incorrect assembly.	Restrictor nozzle in Self-Cleaning Filter not fitted. Safety valve spring for Self-Cleaning Filter not tight. Too little distance between yellow suction pipe and tank bottom.
		Pump valves blocked or worn.
	Defect pressure gauge.	Check for dirt at inlet of gauge.
Pressure dropping.	Filters clogging.	Clean all filters. Fill with cleaner water. If using powders, make sure agitation is on.
	Nozzles worn.	Check flow rate and replace nozzles if it exceeds 10%.
	Tank is air tight.	Check vent is clear.
	Sucking air towards end of tank load.	Lower pump r.p.m.
Pressure increasing	Pressure filters beginning to clog.	Clean all filters.
Formation of foam.	Air is being sucked into system.	Check tightness / gaskets / O-rings of all fittings on suction side.
	Excessive liquid agitation.	Reduce pump r/min. Check safety valve for Self-Cleaning Filter is tight. Ensure returns inside tank are present. Use foam damping additive.
Liquid leaks from bottom of pump.	Damaged diaphragm.	Replace. See Changing of valves and diaphragms.

Fault-finding

Hydraulic system

FAULT	PROBABLE CAUSE	CONTROL/REMEDY
Boom slow/eradic.	Air in system	Loosen ram connection and activate hydraulics until oil flow has no air in it (not whitish).
	Regulation valve incorrectly set	Open or close until desired speed is achieved (clockwise = less speed). Remember oil must be at operating temperature.
	Insufficient hydraulic pressure	Check output pressure of tractor hydraulics. Minimum for sprayer is 130 bar.
	Insufficient amount of oil in tractor reservoir	Check and top up if needed.
Ram not functioning.	Restrictor or regulation valve blocked	Secure boom with "S" hook. Dismantle and clean.
Hydraulic system fold/tilt functions will not operate	Power supply	Check for proper 12V power supply
One function (fold or tilt) will not operate	Various	Check for defective switch(s). Check continuity of cables. Check for operation of applicable solenoid (coil not activating or plunger stuck). Check for short circuit in wiring junction box at rear of sprayer. Dirt in the restrictor port of the cylinder.
Multiple hydraulic functions with one switch activated	Various	Check for correct solenoid electric/hydraulic hook-up. Check for short circuit in wiring in the junction box at rear of sprayer.

Fault-finding

EVC Operating unit

FAULT	PROBABLE CAUSE	CONTROL/REMEDY
Operating unit not functioning	Blown fuse(s).	Check mechanical function of microswitches. Use cleaning/lubricating agent if the switch does not operate freely. Check motor. 450-500 milli-Amperes max. Change motor, if over.
	Wrong polarity.	Brown - pos. (+). Blue - neg. (-).
	Valves not closing properly.	Check valve seals for obstructions. Check microswitch plate position. Loosen screws holding plate a 1/2 turn.
	No power.	Wrong polarity. Check that brown is pos. (+), Blue is neg. (-). Check print plate for dry solders or loose connections. Check fuse holder are tight around fuse.

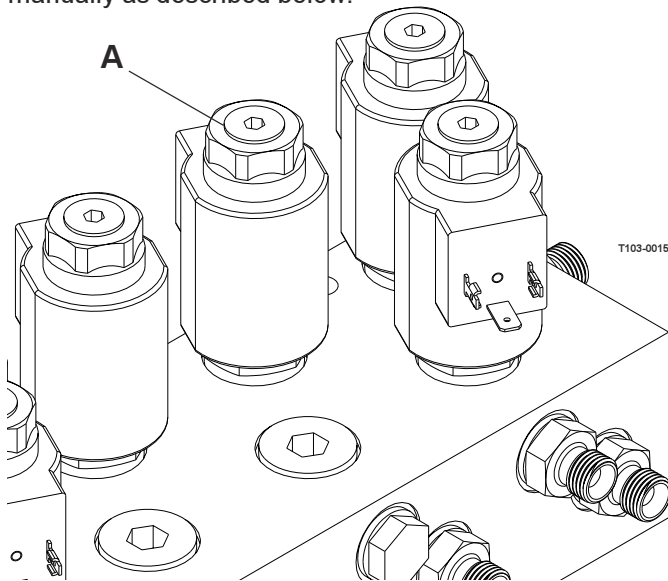
Mechanical problems

FAULT	PROBABLE CAUSE	CONTROL/REMEDY
Boom will not fold in or out	Cylinder	Adjust the fold cylinder
Boom will not fold completely	Cables	Check adjustment of centre cables
Boom not aligned	Cables	Adjust and grease complete boom cables and stops
Boom will not stay in spraying position	Various	Check for hydraulic leaks through solenoid block. Check for a solenoid that is stuck open.
Wing to be kept folded swings out when unfolding other side of the boom	Various	Boom must be completely unfolded - then fold out the desired boom wing. Check for hydraulic leaks through solenoid block. Check for a solenoid that is stuck open.

Emergency operation

Emergency operation of the sprayer The boom

In case of power failure, the boom can be operated manually as described below:



1. Unscrew top part **A** from valve. Notice the small pin in the hollow of the valve!
2. The boom can now be operated by depressing the individual pins in the valve hollows. Use a proper tool for this purpose.

Remember to reset the system to original setting.

Cause

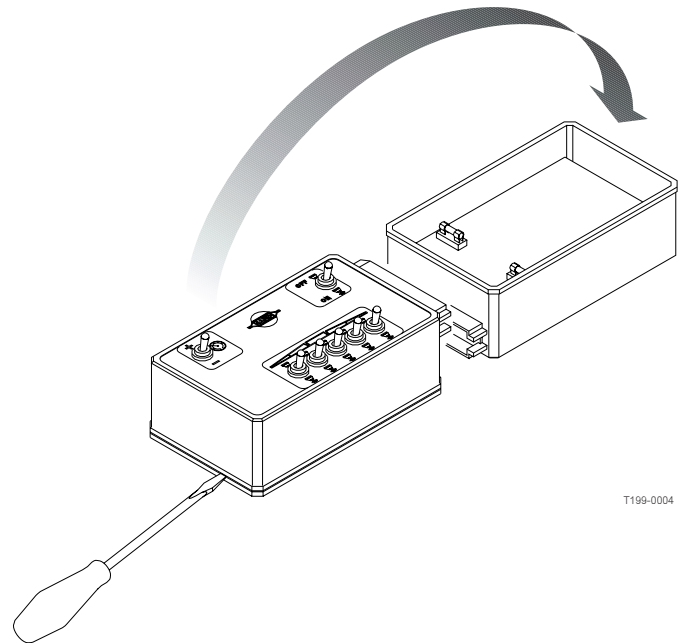
The problem may be due to a blown fuse. One spare fuse is located inside the junction box.

EC operating unit

In case of power failure it is possible to operate all functions of the operating unit manually. First disconnect the multi plug from the control box. Now manually turn the emergency control knobs.

The problem may be due to a blown fuse. An extra fuse is placed inside the box.

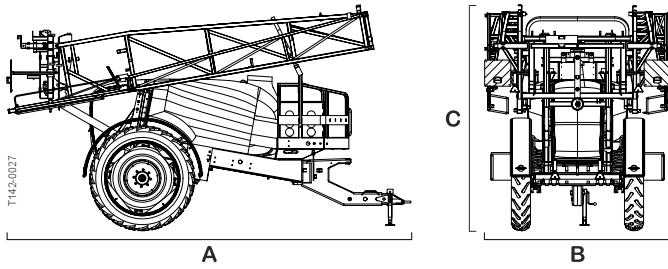
Fuse type: 6.3 A



Technical specifications

Technical specifications

Overall dimensions



CM plus 2200/2800 SPB & SPC			
Boom width (m)	A (mm)	B (mm)	C (mm)
15	5300	2900	≤ 3900
18	5300	2900	≤ 3900
20	7000	2900	≤ 3900
21	7000	2900	≤ 3900
24	5300	2950	≤ 3900
27	7000	2950	≤ 3900
28	7000	2950	≤ 3900
30	7000	2950	≤ 3900

CM plus 3200/4200 SPB & SPC			
Boom width (m)	A (mm)	B (mm)	C (mm)
15	6550	2900	≤ 3900
18	6550	2900	≤ 3900
20	8550	2900	≤ 3900
21	8550	2900	≤ 3900
24	8550	2950	≤ 3900
27	8550	2950	≤ 3900
28	8550	2950	≤ 3900
30	8550	2950	≤ 3900

All measurements are in mm

Weight, SPB

CM plus 2200 SPB						
Boom width (m)	Empty			Full		
	Axle load (kg)	Drawbar load (kg)	Own weight (kg)	Axle load (kg)	Drawbar load (kg)	Total weight (kg)
15						
18						
20						
21						

Please refer to note 1 (next page)

CM plus 2800 SPB						
Boom width (m)	Empty			Full		
	Axle load (kg)	Drawbar load (kg)	Own weight (kg)	Axle load (kg)	Drawbar load (kg)	Total weight (kg)
15						
18						
20						
21						

Please refer to note 1 (next page)

Technical specifications

Weight, SPB

CM plus 3200 SPB						
Boom width (m)	Empty			Full		
	Axle load (kg)	Drawbar load (kg)	Own weight (kg)	Axle load (kg)	Drawbar load (kg)	Tital weight (kg)
15						
18						
20						
21						

Please refer to note 1

CM plus 4200 SPB						
Boom width (m)	Empty			Full		
	Axle load (kg)	Drawbar load (kg)	Own weight (kg)	Axle load (kg)	Drawbar load (kg)	Tital weight (kg)
15						
18						
20						
21						

Please refer to note 1

Weight, SPC

CM plus 2200 SPC						
Boom width (m)	Empty			Full		
	Axle load (kg)	Drawbar load (kg)	Own weight (kg)	Axle load (kg)	Drawbar load (kg)	Tital weight (kg)
24						
27						
28						
30						

Please refer to note 1

CM plus 2800 SPC						
Boom width (m)	Empty			Full		
	Axle load (kg)	Drawbar load (kg)	Own weight (kg)	Axle load (kg)	Drawbar load (kg)	Tital weight (kg)
24						
27						
28						
30						

Please refer to note 1

Technical specifications

Weight, SPC

CM plus 3200 SPC						
Boom width (m)	Empty			Full		
	Axle load (kg)	Drawbar load (kg)	Own weight (kg)	Axle load (kg)	Drawbar load (kg)	Total weight (kg)
24						
27						
28						
30						

Please refer to note 1

CM plus 4200 SPC						
Boom width (m)	Empty			Full		
	Axle load (kg)	Drawbar load (kg)	Own weight (kg)	Axle load (kg)	Drawbar load (kg)	Total weight (kg)
24						
27						
28						
30						

Please refer to note 1

Note 1:

All weights are approximate values and are based on machines equipped with rinsing tank, clean water tank, HARDI FILLER and suspended axle.

For SELF TRACK models the values in above tables must be increased:

+ 100 kg on Drawbar and Total weights

For COMMANDER models *without* suspended axle, subtract:

COMMANDER 2200/2800 - 220 kg (own weight)
 COMMANDER 3200/4200 - 250 kg (own weight)

Ground clearance (under axle):

COMMANDER 2200/2800 without suspension: appr. 700 mm with suspension: appr. 600 mm
 COMMANDER 3200/4200: without suspension: appr. 700 mm with suspension: appr. 750 mm

Technical specifications

Pump capacity

Pump 363/10.0 (540 r.p.m.)

Rotation per min.	200	300	400	500	540	600
bar	Capacity l/min					
0	73	107	141	178	194	211
2	72	105	140	175	189	207
4	71	103	139	172	186	205
6	70	102	138	169	184	203
10	68	100	135	166	182	200
15	66	98	132	164	178	197
Max. pressure: 15 bar		Weight: 52.5 kg		Suction height: 0.0 m		

Pump 363/5.5 (1000 r.p.m.)

Rotation per min.	200	300	400	500	600	700	800	900	1000
bar	Capacity l/min								
0	-	61	82	103	123	144	164	186	201
2	-	59	79	100	119	140	160	179	191
4	-	58	78	98	117	138	155	176	188
6	-	57	76	96	115	134	153	173	186
10	-	55	74	94	112	130	148	168	180
15	-	53	72	89	108	126	144	163	174
Max. pressure: 15 bar		Weight: 52.6 kg			Suction height: 0.0 m				

Pump 463/10.0 (540 r.p.m.)

Rotation per min.	200	300	400	500	540	600
bar	Capacity l/min					
0	109	156	207	257	276	305
2	103	152	202	252	270	299
4	101	149	198	246	265	295
6	99	146	195	242	263	289
10	94	142	192	236	256	282
15	91	136	184	230	248	276
Max. pressure: 15 bar		Weight: 66.5 kg		Suction height: 0.0 m		

Pump 463/5.5 (1000 r.p.m.)

Rotation per min.	200	300	400	500	600	700	800	900	1000
bar	Capacity l/min								
0	61	89	119	148	178	206	233	273	305
2	56	84	113	140	168	197	222	252	278
4	54	82	108	137	162	190	216	244	273
6	52	78	105	131	158	185	211	239	269
10	49	74	100	126	151	178	202	229	257
15	46	70	95	120	145	171	195	219	246
Max. pressure: 15 bar		Weight: 66.5 kg			Suction height: 0.0 m				

Technical specifications

Filters and nozzles

Filter gauze width

30 mesh: 0.58 mm 50 mesh: 0.30 mm
80 mesh: 0.18 mm 100 mesh: 0.15 mm

Temperature and pressure ranges

Operating temperature range:
2° to 40° C. (36°F to 104°F)

Operating pressure for safety valve:
15 bar (220 psi)

Max. pressure on the pressure manifold:
20 bar (290 psi)

Max. pressure on the suction manifold:
7 bar (100 psi)

Brakes

Max. wear rates on brake components, mm (in):

	2200/2800	3200/4200
Max. drum diameter A	302 (11.8897)	402 (15.8388)
Min. lining thickness B	2.0 (0.07874)	4.0 (0.15748)

Hydraulic brakes

Max. hydraulic pressure: 150 bar (2176 p.s.i.)

Air brakes, single line:

Air pressure, relieved brakes: 5.3 - 5.6 bar
Air pressure drop to activate: 0.8 - 1.3 bar

Air brakes, dual line

Load apportioning valve pressure settings:

Relieved: 0 bar
Empty: 1.6 bar (23.2 p.s.i.)
Half: 3.4 bar (49.3 p.s.i.)
Full: Air tank pressure

Materials and recycling

Tank: HDPE
Hoses: PVC
Valves: mainly glass-filled PA.
Fittings: PA

Disposal of the sprayer

When the equipment has completed its working life, it must be thoroughly cleaned. The tank, hose and synthetic fittings can be incinerated at an authorised disposal plant. The metallic parts can be scrapped. Always follow local legislation regarding disposal.

Conversion factors, SI to Imperial units

All units used in this manual are SI units. In some occasions Imperial units are used. Use following factors to convert SI units to Imperial units:

	SI unit	Imperial unit	Factor
Weight	kg	lb.	x 2.205
Surface area	ha	acres	x 2.471
Length	cm	in	x 0.394
	m	ft	x 3.281
	m	yd	x 1.094
	km	mile	x 0.621
Velocity	km/h	mile/h	x 0.621
	km/h	m/s	x 0.277
Quantities/area	l/ha	gal (Imp.) /acre	x 0.089
Volume	ml	fl. oz (Imp.)	x 0.0352
	l	Imp. pt.	x 0.568
	l	gal (Imp.)	x 0.22
Pressure	bar	lb./in ² (p.s.i.)	x 14.504
Temperature	°C	°F	(°C x 1.8) + 32
Power	kW	hp	x 1.341
Torque	Nm	lbft	x 0.74

Electrical connections

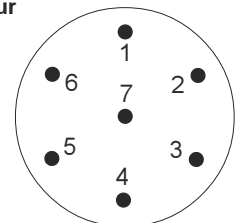
Rear lights

Position

1. LH direction indicator
2. Free
3. Frame
4. RH direction indicator
5. RH rear position lamp
6. Stop lamps
7. LH rear position lamp

Wire colour

- Yellow
- Blue
- White
- Green
- Brown
- Red
- Black



The wiring is in accordance with ISO 1724.

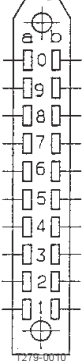
Technical specifications

Electrical connections for EVC operating unit

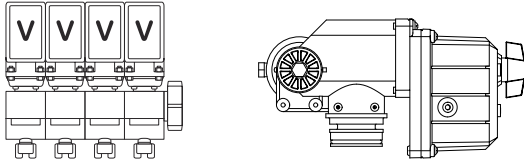
20 poled plug with cable

Number of distribution valve										
8	7	6 & 5	4	3 & 2		2 & 3	4	5 & 6	7	8
Wire number or colour code										
8										G/Y
9	9	13	9	9		10	10	14	10	10
	8	G/Y	G/Y	G/Y		11	11	15	G/Y	
7	7								17	17
6	6	1	1				2	2	16	16
5	5	3	3	1		2	4	4	15	15
4	4	5		3		4		6	14	14
3	3	7	5	5		6	6	8	13	13
2	2	9	7				8	10	12	12
1	1	11						12	11	11

G/Y = green/yellow



EVC



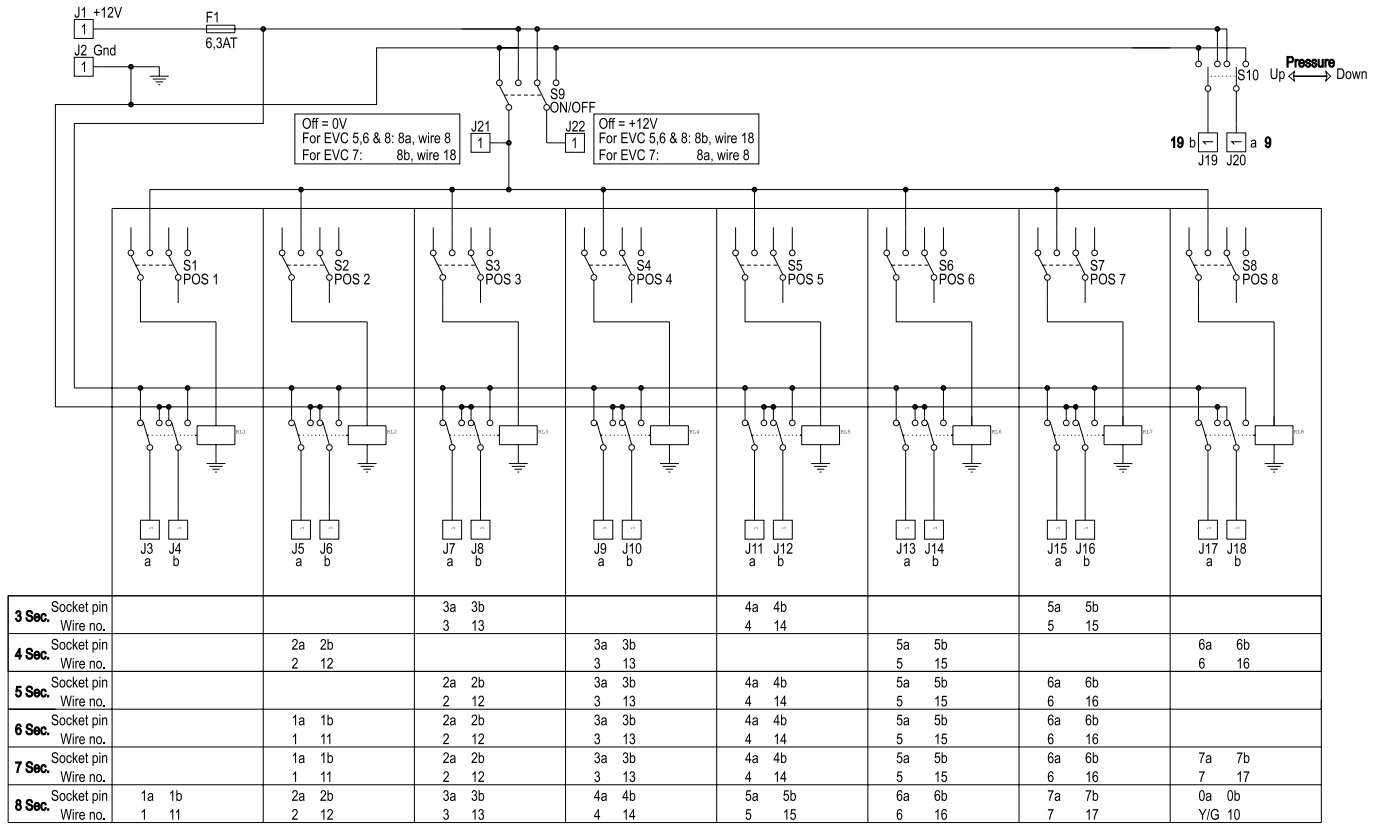
Number of distribution valves				
	2/3/4	5/6	7	8
Valve	Wire number or color code			
V1	1-2	1-2	1-11	1-11
V2	3-4	3-4	2-12	2-12
V3	5-6	5-6	3-13	3-13
V4	7-8	7-8	4-14	4-14
V5		9-10	5-15	5-15
V6		11-12	6-16	6-16
V7			7-17	7-17
REG	9-10	13-14	9-10	9-10
V8	?	?	?	8-G/Y

G/Y = Green/Yellow

The EVC operating unit fulfils the EC noise reduction standards.

Technical specifications

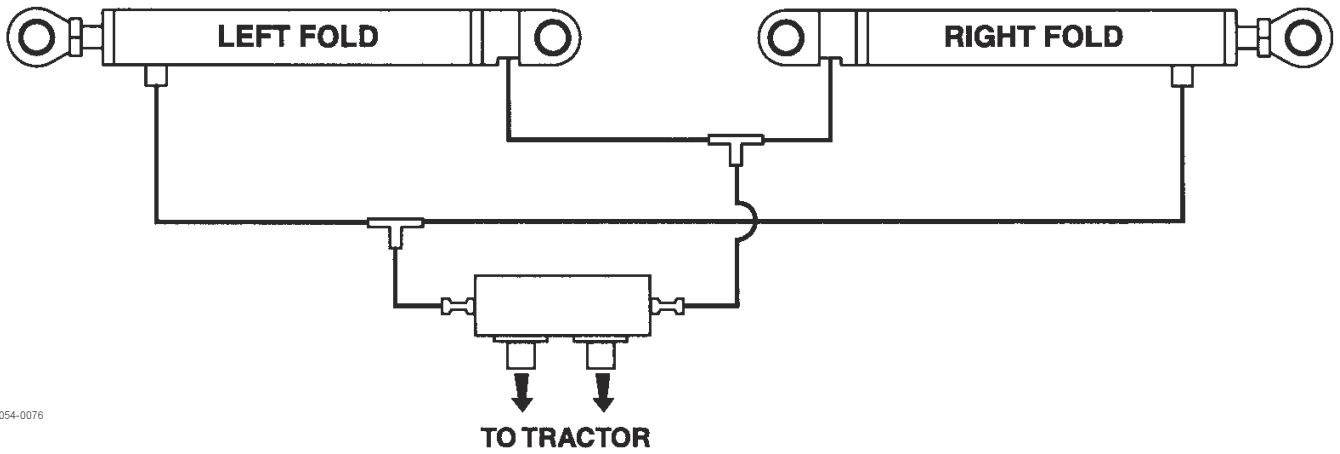
Electrical chart (EVC)



T192-0038

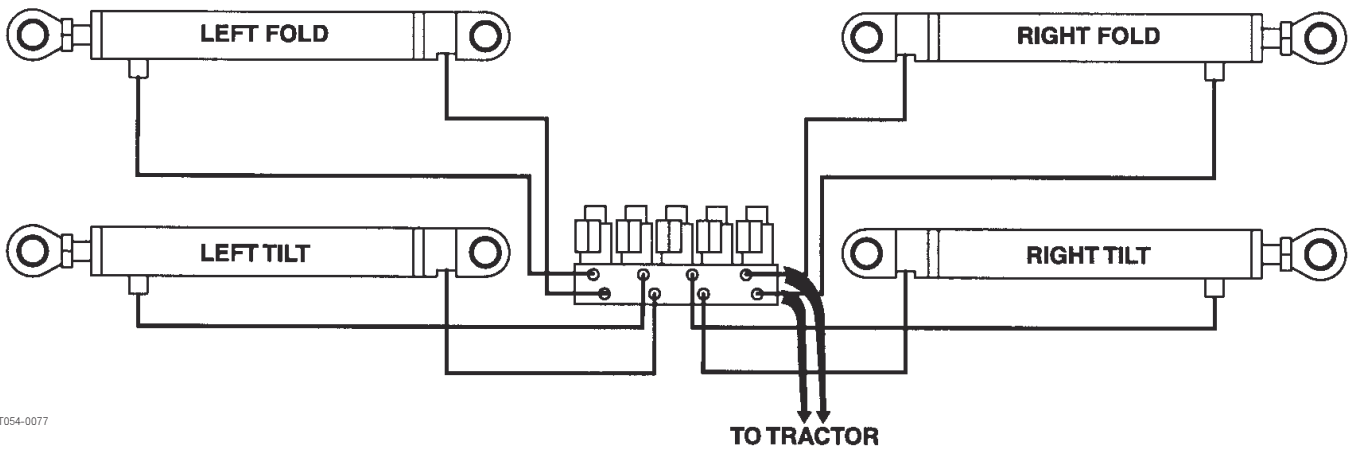
Technical specifications

Boom hydraulic SPB-Y, SPC-Y



T054-0076

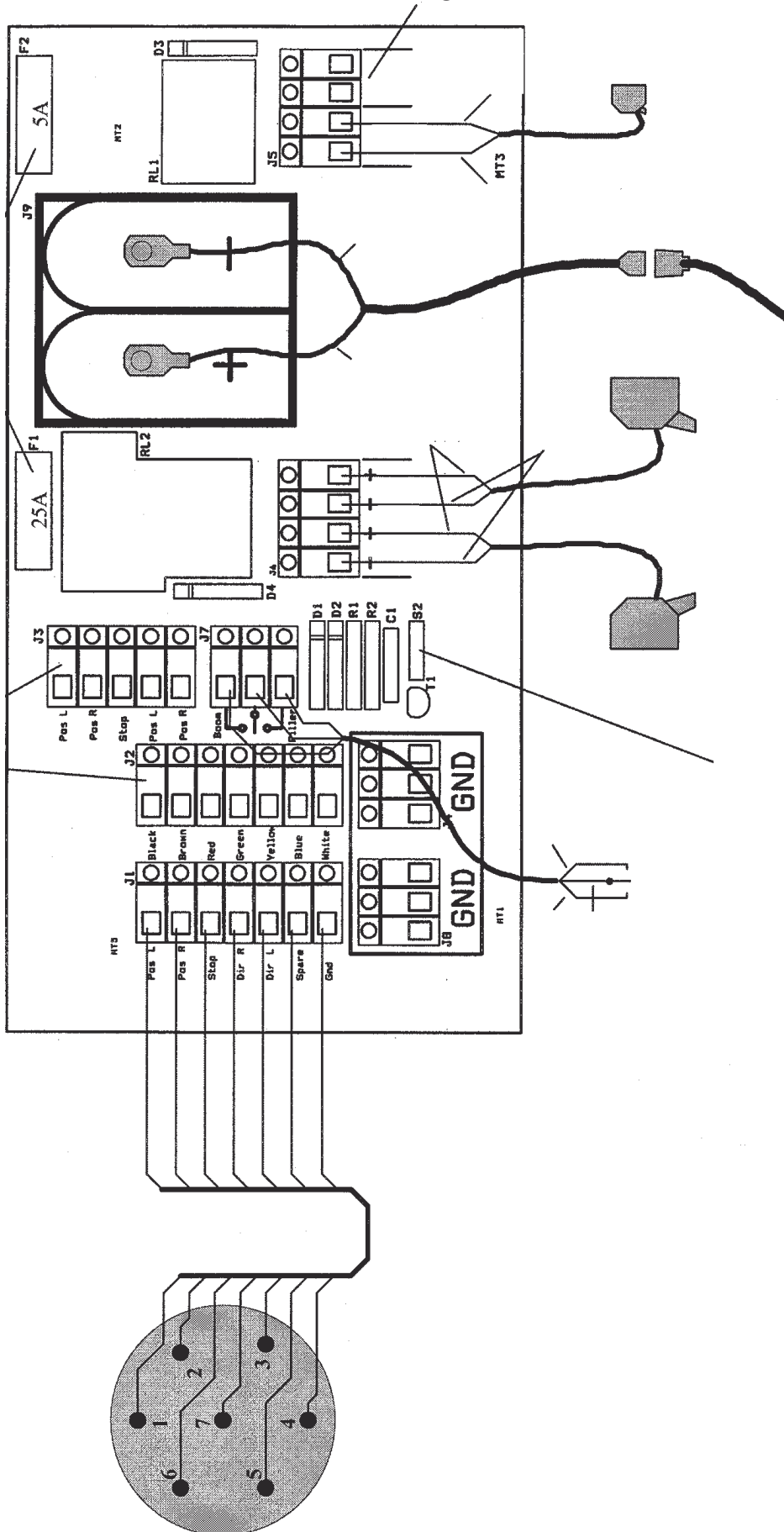
Boom hydraulic SPB-Z, SPC-Z



T054-0077

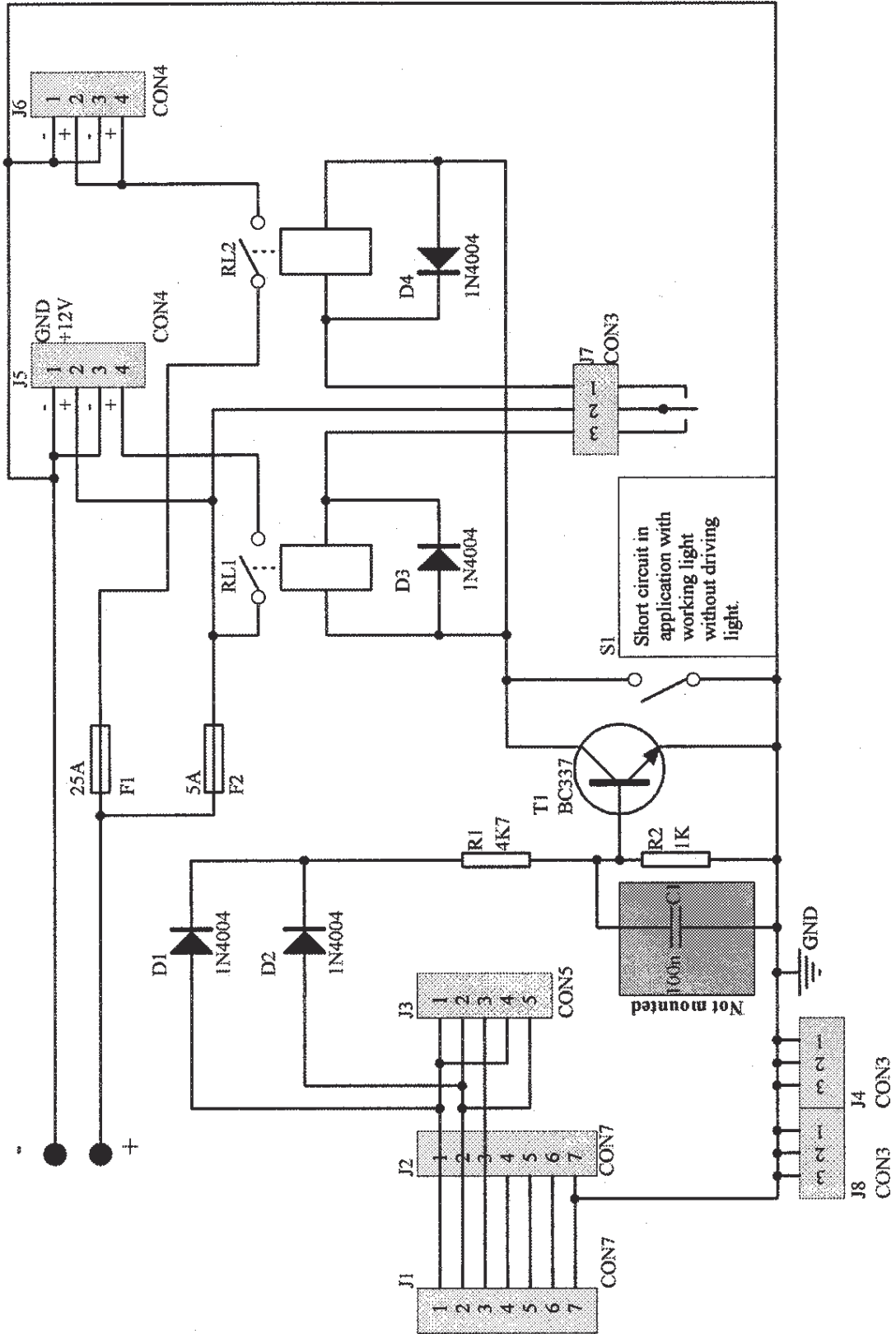
Technical specifications

Installation instruction for boom and work light



Technical specifications

Electrical specifications for Boom and Work light



T053-0016

Subject Index

A			
Adjustable Agitation Valve	45	Ejector	46
Air activated brakes	20	Emergency brake	20
Air brake filters	62	Emergency operation	81
Air brakes	59	EVC Operating unit	19, 81
Air in system	78	Expansion bottle	59, 62
Altering track gauge	16	F	
Anti-freeze	76	Fast Filling Device	36
Application zone	6	Filling of chemicals	40
AXIAL connection	73	Filling of water	35
B		Filter gauge	58
Ball valve	39	Filters	39
Ballast	77	Fittings	73
Black disc	34	Fixed drawbar	10
Blown fuse	81	Folding one side only	33
Boom	64	Formation of foam	78
Boom light	28	Frame	45
Boom sections	57	Front fold cable	64
Boom slow/eradic	79	Front Locker	27
Boom transport position	24	Function diagram	34
Boom will not fold	80	Fuse type	81
Boom will not stay in position	80	G	
Brakes	20	Green disc	34
Brakes air tank	58	H	
Breakaway	65	Handle	18
By-pass	45	HARDI CIRCULATION SYSTEM	46
C		HARDI FILLER	40
CaCl ₂	22	HARDI-MATIC	7
Centre rim	16	Heel bearings	61
Centre section cable	66	Hitch (ISO 5692)	9
Chemicals	44	Hub flange	16
Circuit leak	77	Hydraulic activated brakes	20, 62
Clean water tank	38	Hydraulic circuit	62
Clean zone	6	Hydraulic switch box	33
Circulation System	46	Hydraulic system	18, 79
Cleaning	48	I	
Cleaning the sprayer	48	I.A.H.	18
Cone	70	Identification plates	7
Connection box	28	Imperial units	86
Control box	19, 33	In-Line filter	58
Conversion factors	86	Indirect Acting Hydraulic system	18
Counter weight	22	J	
Crop protection Kit	29	Joystick	18, 33
Cross journals	73	Junction box	81
D		L	
Damping pressure setting	72	Lack of pressure	78
Diaphragm	70	Ladder	27
Disconnecting	31	Large storage Locker	27
Disposal of pesticides	48	Level indicator	73
Drawbar	9	Lifting points	8
Drawbar extension	9	Liquid chemicals	40
Driving Technique	25	Liquid leaks	78
Dual-line brakes	21	Liquid system	78
E		Liquid-filled tyres	22
EC distribution valve	71		
EC Operating unit	36, 80, 81, 87		

Subject Index

M			
Maintenance	48	Rinsing nozzles	42, 47
MANIFOLD SYSTEM	34	Rinsing tank	42, 47
Maximum pressure	86	Rinsing tank drain valve	44
Maximum track width	14	Rubber stop	64
Mechanical problems	80	S	
Minimum track width	14	Safe sprayers	48
Mudguard	30	Safety valve	77
Multi plug	81	Selector switch	28
N		SELF TRACK	10
No spray from boom	78	Self-cleaning filter	39
Nominal contents	7	Shipping package label	4
Nozzle filters	58	Shock absorbers	72
Nozzle tube	73	Sl	86
Nozzles	86	Single-line brakes	21
O		Slanting control	33
O-ring	73	Small storage Locker	27
Off-season storage	76	Soap dispenser	28
Operating pressure	86	SPB-Y boom	7, 32, 65
Operating temperature	86	SPB-Z boom	7, 33, 66
Operating unit	7	SPC-Y boom	7, 32, 65
Operational problems	77	SPC-Z boom	7, 33, 66
Operator safety	5	Speed regulation, hydraulic boom movements	32
P		Sprayer trails unstable	77
P.T.O. shaft	11	Spraying circuit	58
Parking brake	20, 31, 61	Sprocket timing	63
Personal protection	44	Stability	14, 15
Pesticide washings	48	STEER TRACK	25
Pin connection	63	STEERING drawbar	10
Powder chemicals	41	Stop wedges	31
Power failure	81	Strawdivider	29
Pressure gauge	39	Suction Filling Device	36
Pressure increasing	78	Suction filter	58
Pressure range	86	Suction quick coupler	43
Pressure valve	34	Suction valve	34
Product Identification Certificate	4	Support leg	31
Protection film	8	Suspension	58
Protection guards	73	Swivel type	9
Protective clothing	48	T	
Pump capacity	85	Tank	7
Pump valves	70	Tank drain valve	43
Pump	7	Tank lid	35
PVC sheet	29	Technical Residue	43
Q		Temperature	86
Quick coupler	37	Terminology	57
R		TRACKER damping system	77
RADIAL connection	73	TRAIL CONTROL	10
Ram not functioning	79	Transmission shaft	11, 59, 73
Ranges	86	Transmission shaft support	10, 31
Rear cable	66	Transport bracket	24
Rear lights	86	Transport lock	24
Recycling	86	Tyre	75
Remote pressure gauge	39	Tyre pressure	59
Replace tyres	75	Tyre safety	81
Restrictors	32, 39	U	
		Unloading	8

Subject Index

W

WARNINGS	5
Wear bush	71
Wear rates	86
Wheel bearings	61
Wheel bolts	59
Wheel brake cover	29
Wiring	23
Work light	28
Working zone	6

Y

Yellow MANIFOLD valve	39
-----------------------------	----

Z

Zugmaul	9
---------------	---