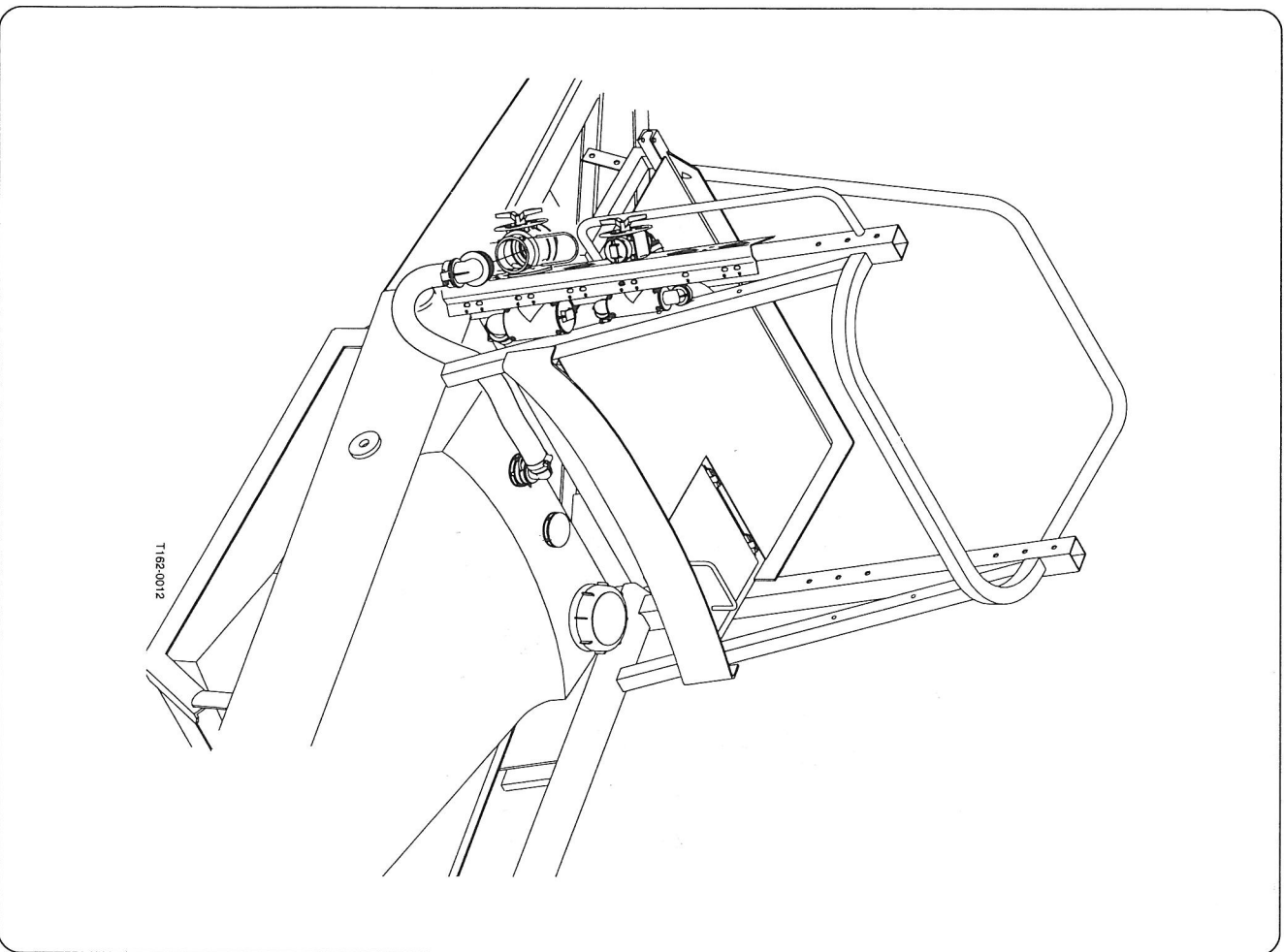


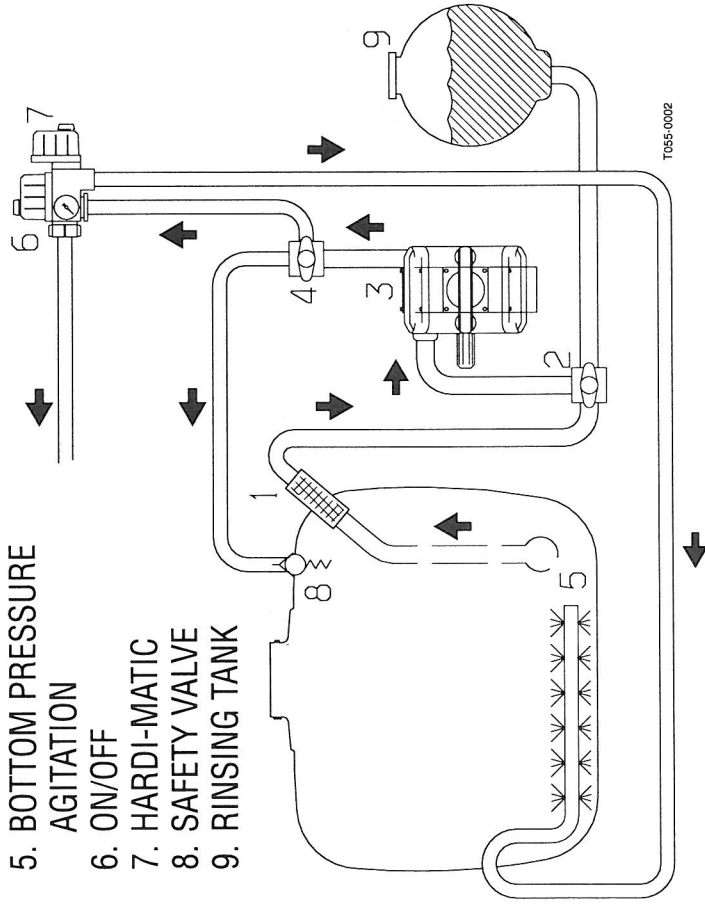


CM Rensetank
CM Rinsing tank
CM Reinwasserbehälter
CM Cuve de rinçage
CM Depósito purificador

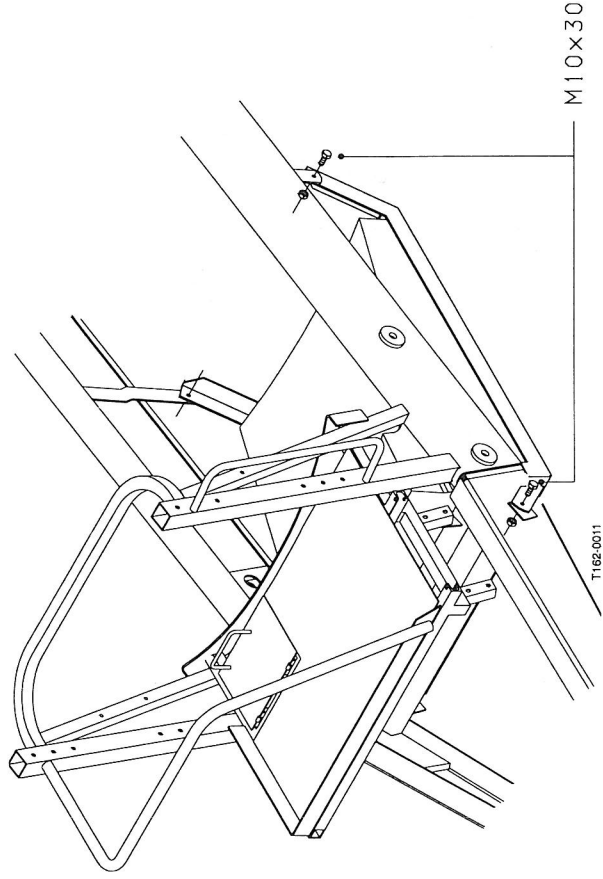


COMMANDER RINSING TANK

1. SUCTION FILTER
2. SUCTION MANIFOLD
3. PUMP
4. PRESSURE MANIFOLD
5. BOTTOM PRESSURE AGITATION
6. ON/OFF
7. HARDI-MATIC
8. SAFETY VALVE
9. RINSING TANK



T055-0002



T162-0011

M10x30