



Agroparts: www.HARDI-INTERNATIONAL.com

COMMANDER 750 Gallon Eagle
45', 50', 60', 66'

Country-Code 11

Date 04.11.2017 13:49



**Commander
750 Gallon
Eagle 45', 50', 60', 66'**



COMMANDER 750 Gallon Eagle
45', 50', 60', 66'

Page 0.1

Date 04.11.2017 13:49

| main group | page-n° | date | description | |
|--------------------------------|------------------------------|-----------------------------|--------------------------------|--------------------------|
| Pumps | A0220-HIN | 27:04:17 | PUMP - 1302 W/ MOUNTING BASE | |
| | A0230-HIN | 01:01:16 | PUMP - 1303 W/ MOUNTING BASE | |
| | A0240-HIN | 01:01:16 | PUMP - 1301/1302 FITTINGS | |
| | A0260-HIN | 17:03:16 | PUMP - 363 W/MOUNTING BASE | |
| | A0270-HIN | 17:03:16 | PUMP - 363/1000 RPM W/MOUNTING | |
| | A0280-HIN | 21:02:17 | PUMP - 364 540/1000 RPM | |
| | A0300-HIN | 23:02:16 | PUMP - 361/363FITTINGS | |
| | A0330-HIN | 01:01:16 | PUMP - 463 W/ MOUNTING BASE | |
| | A0340-HIN | 01:01:16 | PUMP - 463/1000 RPM W/MOUNTING | |
| | A0350-HIN | 22:02:16 | PUMP - 464 540/1000 RPM | |
| | A0390-HIN | 23:02:16 | PUMP - 460/462/463 FITTINGS | |
| | A0510-HIN | 01:01:16 | PTO SHAFTS - BONDIOLI DIAPH. | |
| | A0520-HIN | 19:05:16 | PTO SHAFTS - BONDIOLI CENT. | |
| | A0550-HIN | 01:01:16 | C.V.PTO SHAFTS YELLOW (PRE'05) | |
| | A0580-HIN | 01:01:16 | PTO SHAFTS - AMA DIAPHRAGM | |
| Controls, Filters, Valves | B0280-HIN | 01:01:16 | EC MASTER VALVE - CM | |
| | B0310-HIN | 01:01:16 | EC BOOM VALVES CM GREEN GRIPS | |
| | B0400-HIN | 01:01:16 | CONTROL BOX F/EC + ECSC POST96 | |
| | B0410-HIN | 01:01:16 | 12 VOLT OUTLET BOX | |
| | B0420-HIN | 01:01:16 | MANIFOLD SYSTEM - PRESSURE | |
| | B0430-HIN | 01:01:16 | MANIFOLD - S67 VALVE | |
| | B0520-HIN | 01:01:16 | MANIFOLD SYSTEM - SUCTION | |
| | B0530-HIN | 01:01:16 | MANIFOLD - S93 VALVE | |
| | B0580-HIN | 01:01:16 | PRESSURE RELIEF VALVE | |
| | B0610-HIN | 01:01:16 | CHECK VALVES - S40 | |
| | B0620-HIN | 01:01:16 | CHECK VALVES - S53 | |
| | B0630-HIN | 01:01:16 | CHECK VALVES - S67 | |
| | B0640-HIN | 12:04:16 | CHECK VALVES - S67 (2011) | |
| | B0650-HIN | 01:01:16 | SELF CLEANING FILTER-SCREW TOP | |
| B0670-HIN | 01:01:16 | TOP SUCTION ASSEMBLY-S93 2" | | |
| Hydraulics | C0020-HIN | 01:01:16 | HYDRAULICS - CYLINDERS | |
| | C0030-HIN | 01:01:16 | HYDRAULICS - FAROIL CYLINDERS | |
| | C0045-HIN | 24:03:16 | HYDRAULICS - BSP TO ORFS | |
| | C0310-HIN | 30:03:16 | HYDRAULICS EAGLE/FORCE DH | |
| | C0320-HIN | 30:03:16 | HYD EAGLE HZ JOYSTICK CONTROL | |
| | C0340-HIN | 30:03:16 | HYD EAGLE HZ JOYSTICK 2005 | |
| | C0350-HIN | 30:03:16 | HYD EAGLE HZ SPB 45'-66' - CM | |
| | C0580-HIN | 01:01:16 | CETOP VALVES | |
| | Booms, Nozzle Bodies & Tubes | D0260-HIN | 01:01:16 | BOOM EAGLE WINGS 45' 50' |
| D0270-HIN | | 01:01:16 | BOOM EAGLE WINGS 60' 66' | |
| D0300-HIN | | 01:01:16 | BOOM COMMANDER CENTER 45-66'DK | |
| D0310-HIN | | 01:01:16 | BOOM COMMANDER CENTER 45-66'US | |
| D0540-HIN | | 01:01:16 | TRANSPORT BRACKETS - CM/CM+ | |
| D1000-HIN | | 01:01:16 | BOOM-NOZZLES 110° FLAT FAN ISO | |
| D1010-HIN | | 01:01:16 | BOOM-NOZZLES 110° LOWDRIFT ISO | |
| D1020-HIN | | 01:01:16 | BOOM-NOZZLES 80° FLAT FAN ISO | |
| D1030-HIN | | 01:01:16 | BOOM-NOZZLE CAPS AND FILTERS | |
| D1040-HIN | | 01:01:16 | BOOM-NOZZLES INJET | |
| D1050-HIN | | 01:01:16 | BOOM-NOZZLES MINIDRIFT | |
| D1060-HIN | | 01:01:16 | BOOM-NOZZLES QUINTASTREAM | |
| D1090-HIN | | 01:01:16 | NOZZLE BODIES-SNAP FIT | |
| D1100-HIN | | 01:01:16 | DOUBLE NOZZLE HOLDER-SNAP FIT | |
| D1110-HIN | | 01:01:16 | NOZZLE TUBES & HOLDER-PLASTIC | |
| Tank and Frame: Field Sprayers | | | | |

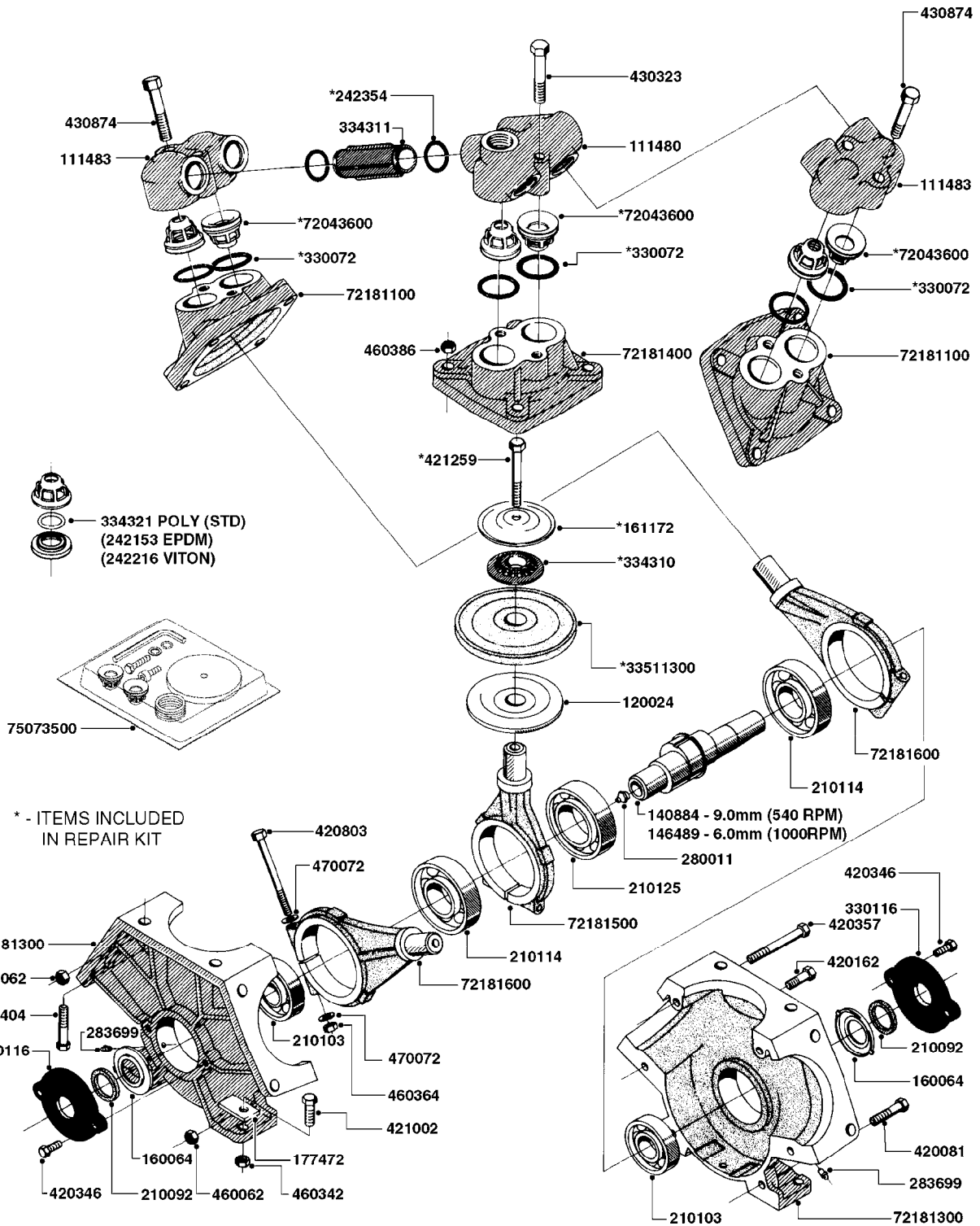


COMMANDER 750 Gallon Eagle
45', 50', 60', 66'

Page 0.2

Date 04.11.2017 13:49

| main group | page-n° | date | description | |
|---------------------------|----------------------|--------------------------------|--------------------------------|---------------------------------|
| Special equipment, Extras | E0420-HIN | 01:01:16 | TANK - CM750 | |
| | E0440-HIN | 01:01:16 | FRAME CM 750 | |
| | E0750-HIN | 01:01:16 | HUB ASSY F. 3" SPINDLE CM750 | |
| Fittings | K0010-HIN | 01:01:16 | AGITATN BYPAS VALV-MANIFLD SYS | |
| | K0020-HIN | 01:01:16 | BALL VALVE-ELECTRIC 2-WAY | |
| | K0030-HIN | 01:01:16 | BALL VALVE-ELECTRIC 3-WAY | |
| | K0050-HIN | 01:01:16 | CHEM.FILLER-MOUNTING BRACKETS | |
| | K0060-HIN | 01:01:16 | CHEM.FILLER-PLUMBING-MANIFOLD | |
| | K0100-HIN | 01:01:16 | CHEMICAL FILLER-HOPPER(POST95) | |
| | K0130-HIN | 01:01:16 | CLEAN WATER TANK | |
| | K0180-HIN | 01:01:16 | DRAIN ASSEMBLY-PULL CORD TYPE | |
| | K0230-HIN | 01:01:16 | END NOZZLE KIT | |
| | K0250-HIN | 01:01:16 | ELECTRIC END NOZZLE KIT '09 | |
| | K0260-HIN | 01:01:16 | ELECTRIC END NOZZLE KIT '12 | |
| | K0270-HIN | 28:09:16 | FILTER ASSEMBLIES-IN LINE | |
| | K0300-HIN | 01:01:16 | FLUSH SYS TANKMOUNT CM875/1200 | |
| | K0380-HIN | 17:03:16 | FOAM MARKER COMPRESSOR POST 94 | |
| | K0390-HIN | 01:01:16 | FOAM MARKER COMPRESSOR 2002 | |
| | K0400-HIN | 01:01:16 | FOAM MARKER COMPRESSOR 2007 | |
| | K0410-HIN | 01:01:16 | FOAM MARKER COMP H-CAP 2001 | |
| | K0430-HIN | 11:04:16 | FOAMMARKER TANK/DROPPER 2000 | |
| | K0440-HIN | 01:01:16 | F MARKER TANK/DROPPER HIGH CAP | |
| | K0480-HIN | 01:01:16 | HANDGUN TYPE 60S/60L POST 95 | |
| | K0520-HIN | 01:01:16 | HOSE WRAPS | |
| | K0560-HIN | 01:01:16 | PRESSURE GAUGES | |
| | K0620-HIN | 01:01:16 | QUICKFILL SYSTEM - S93 | |
| | K0690-HIN | 01:01:16 | REMOTE GAUGE-MAGNETIC BASE KIT | |
| | K0720-HIN | 01:01:16 | REMOTE GAUGE - TWIN/COMMANDER | |
| | K0730-HIN | 01:01:16 | RINSE SYSTEM NOZZLES | |
| | K0770-HIN | 01:01:16 | SAFETY CHAINS | |
| | K0780-HIN | 16:03:17 | SIGHT GAUGE - REMOTE | |
| | Electrical Equipment | L0010-HIN | 01:01:16 | FITTINGS-CAP NUTS & HOSE BARBS |
| | | L0020-HIN | 01:01:16 | FITTINGS-T-PIECES,CAPS & ELBOWS |
| L0030-HIN | | 01:01:16 | FITTINGS - HEXAGON NIPPLES | |
| L0040-HIN | | 01:01:16 | FITTINGS - NIPPLES & ELBOWS | |
| L0050-HIN | | 01:01:16 | FITTINGS - HOSE CONNECTORS | |
| L0060-HIN | | 01:01:16 | FITTINGS - BULKHEAD | |
| L0070-HIN | | 13:09:17 | FITTINGS - S-40 | |
| L0080-HIN | | 12:09:17 | FITTINGS - S-53 | |
| L0090-HIN | | 01:01:16 | FITTINGS - S-56 & S-61 | |
| L0100-HIN | | 12:09:17 | FITTINGS - S-67 | |
| L0110-HIN | | 13:09:17 | FITTINGS - S-93 | |
| L0120-HIN | | 01:01:16 | BULK HOSE | |
| L0130-HIN | | 01:01:16 | HOSE CLAMPS | |
| M0030-HIN | | 01:01:16 | CFX-750 DISPLAY, DGPS | |
| M0040-HIN | | 01:01:16 | EZ-GUIDE PLUS LIGHT BAR | |
| M0050-HIN | 01:01:16 | EZ-STEER STEERING SYSTEM | | |
| M0060-HIN | 01:01:16 | EZ-GUIDE 500 LIGHTBAR | | |
| M0070-HIN | 01:01:16 | EZ-STEER 500 STEERING SYSTEM | | |
| M0080-HIN | 01:01:16 | EZ-GUIDE 250 LIGHTBAR | | |
| M0090-HIN | 01:01:16 | HC 2500/HM1500 DISPLAY/SCANBOX | | |
| M0100-HIN | 01:01:16 | MUSTANG 3500 CONTROLLER | | |
| M0120-HIN | 01:01:16 | TRANSDUCERS AND ACCESSORIES | | |
| M0160-HIN | 17:08:17 | TRAFFIC LIGHT KIT | | |



A0220

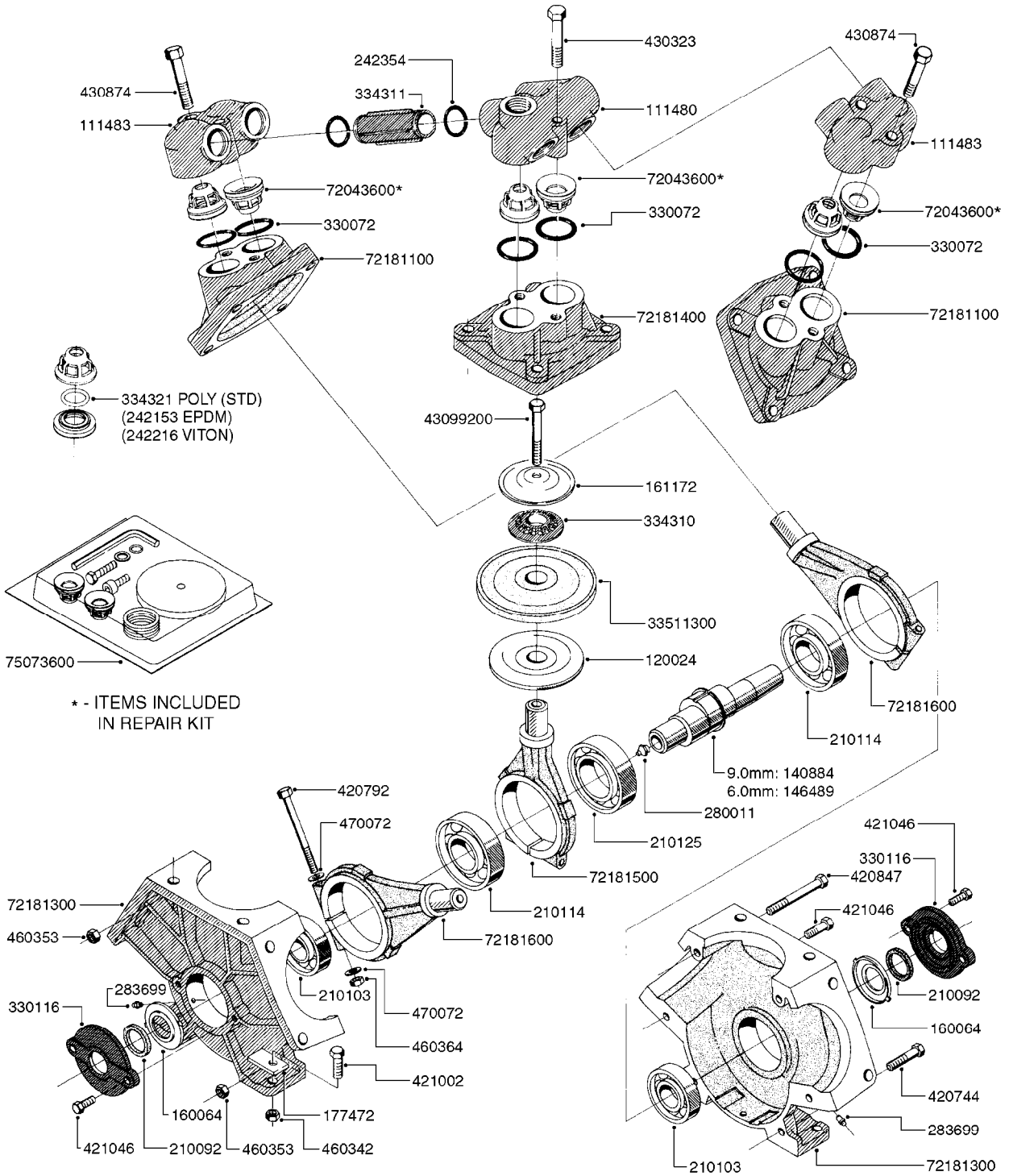


PUMP - 1302 W/ MOUNTING BASE
A0220-HIN, 27:04:17

Page 1

Date 04.11.2017 13:49

| parts-n° | order qty | description |
|----------|-----------|-----------------------------------|
| 111480 | 1 | VALVE HEAD 1302 CENTER |
| 111483 | 1 | VALVE HEAD SIDE 1302 |
| 120024 | 1 | DIAPHRAGM BACK DISC 1200-1300 |
| 140884 | 1 | CRANK SHAFT MODEL 1300-9 |
| 146489 | 1 | CRANK SHAFT MODEL 1302-6MM |
| 160064 | 1 | DUST PLATE |
| 161172 | 1 | DIAPHRAGM DISC F. 1203/1303 |
| 177472 | 1 | BRACKET 25 X 5 |
| 210092 | 1 | SEAL FELT D43/30X5 |
| 210103 | 1 | BEARING BALL 6306 |
| 210114 | 1 | BEARING BALL 6308 |
| 210125 | 1 | BEARING BALL 6210 |
| 242153 | 1 | O-RING D26X4 EPDM |
| 242216 | 1 | O-RING VITON F/1202/1302/462 |
| 242354 | 1 | O-RING D32.2X3.0 VITON F.S-53 |
| 280011 | 1 | GREASE NIPPLE 1/8" SAE H TR |
| 283699 | 1 | GREASE NIPPLE M6X1 |
| 330072 | 1 | O-RING D53.5/D45.5X4 |
| 330116 | 1 | SEAL RETAINER, MODEL 1300 |
| 334310 | 1 | NYLON WASHER 1202/1302/462 |
| 334311 | 1 | CONNECTION PIPE INLET MOD.1302 |
| 334321 | 1 | O-RING POLY. 34.0x26.0x4.0 |
| 420081 | 1 | BOLT HEX 8.8 DEL 3/8"X40MM |
| 420162 | 1 | BOLT HEX 8.8 DEL 3/8"X15MM |
| 420346 | 1 | BOLT HEX 8.8 DEL 3/8"X 25MM |
| 420357 | 1 | BOLT HEX 8.8 RAW 3/8"X85MM |
| 420803 | 1 | BOLT HEX 8.8 DEL M8X90 |
| 421002 | 1 | BOLT HEX 8.8 DEL M10X30 FT DIN933 |
| 421259 | 1 | BOLT HEX UNC7/16"x2.25" 18-8SS |
| 430323 | 1 | BOLT HEX 8.8 DEL M12X60 |
| 430404 | 1 | BOLT HEX 8.8 DEL M12X50 |
| 430874 | 1 | SCREW SET 8.8 DEL M12X70 FT |
| 460062 | 1 | NUT HEX 3/8" GALV. |
| 460342 | 1 | NUT HEX M10 DEL DIN934 |
| 460364 | 1 | NUT HU M8 A2 SS DIN934 |
| 460386 | 1 | NUT HEX M12X1.75 |
| 470072 | 1 | WASHER D15/D8X.5 LOCK |
| 33511300 | 1 | DIAPHRAGM 1202-1303 POLY 2006 |
| 72043600 | 1 | VALVE FOR 462/463 |
| 72181100 | 1 | DIAPHRAGM COVER 1203/1303+BLTS |
| 72181300 | 1 | PUMP CASTING 1300 RED W/BOLTS |
| 72181400 | 1 | DIAPHRAGM COVER 1303 W/BOLTS |
| 72181500 | 1 | CONNECTING ROD, CENTER 1303 |
| 72181600 | 1 | CONNECTING ROD, SIDE MOD.1300 |
| 75073500 | 1 | PUMP KIT 1300/1302 "06" |



COMPLETE PUMPS
821635 - PUMP ONLY
10396203 - WITH PTO & DAMPER

COMPLETE ASSEMBLIES
WHOLEGOODS ITEMS

A0230



PUMP - 1303 W/ MOUNTING BASE
A0230-HIN, 01:01:16

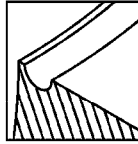
Page 1
Date 04.11.2017 13:49

| parts-n° | order qty | description |
|----------|-----------|-----------------------------------|
| 111480 | 1 | VALVE HEAD 1302 CENTER |
| 111483 | 1 | VALVE HEAD SIDE 1302 |
| 120024 | 1 | DIAPHRAGM BACK DISC 1200-1300 |
| 140884 | 1 | CRANK SHAFT MODEL 1300-9 |
| 146489 | 1 | CRANK SHAFT MODEL 1302-6MM |
| 160064 | 1 | DUST PLATE |
| 161172 | 1 | DIAPHRAGM DISC F. 1203/1303 |
| 177472 | 1 | BRACKET 25 X 5 |
| 210092 | 1 | SEAL FELT D43/30X5 |
| 210103 | 1 | BEARING BALL 6306 |
| 210114 | 1 | BEARING BALL 6308 |
| 210125 | 1 | BEARING BALL 6210 |
| 242153 | 1 | O-RING D26X4 EPDM |
| 242216 | 1 | O-RING VITON F/1202/1302/462 |
| 242354 | 1 | O-RING D32.2X3.0 VITON F.S-53 |
| 280011 | 1 | GREASE NIPPLE 1/8" SAE H TR |
| 283699 | 1 | GREASE NIPPLE M6X1 |
| 330072 | 1 | O-RING D53.5/D45.5X4 |
| 330116 | 1 | SEAL RETAINER, MODEL 1300 |
| 334310 | 1 | NYLON WASHER 1202/1302/462 |
| 334311 | 1 | CONNECTION PIPE INLET MOD.1302 |
| 334321 | 1 | O-RING POLY. 34.0x26.0x4.0 |
| 420744 | 1 | SCEW HM 8X40/22 A2 SS DIN931 |
| 420792 | 1 | BOLT HEX 8.8 RAW M8X95 |
| 420847 | 1 | BOLT HEX 8.8 DEL M8X85 |
| 421002 | 1 | BOLT HEX 8.8 DEL M10X30 FT DIN933 |
| 421046 | 1 | SCREW HEX M8X25/25 A2 SS DIN933 |
| 430323 | 1 | BOLT HEX 8.8 DEL M12X60 |
| 430874 | 1 | SCREW SET 8.8 DEL M12X70 FT |
| 460342 | 1 | NUT HEX M10 DEL DIN934 |
| 460353 | 1 | NUT HEX M8 BLACK |
| 460364 | 1 | NUT HU M8 A2 SS DIN934 |
| 470072 | 1 | WASHER D15/D8X.5 LOCK |
| 821635 | 1 | PUMP 1303/9 540RPM |
| 10396203 | 1 | PUMP 1303 C/W PTO 540 RPM |
| 33511300 | 1 | DIAPHRAGM 1202-1303 POLY 2006 |
| 43099200 | 1 | BOLT HEX SS M12 X 30 DIN933 A4 |
| 72043600 | 1 | VALVE FOR 462/463 |
| 72181100 | 1 | DIAPHRAGM COVER 1203/1303+BLTS |
| 72181300 | 1 | PUMP CASTING 1300 RED W/BOLTS |
| 72181400 | 1 | DIAPHRAGM COVER 1303 W/BOLTS |
| 72181500 | 1 | CONNECTING ROD, CENTER 1303 |
| 72181600 | 1 | CONNECTING ROD, SIDE MOD.1300 |
| 75073600 | 1 | PUMP KIT 1303 MM "06" |



Housing for Black Diaphragm:

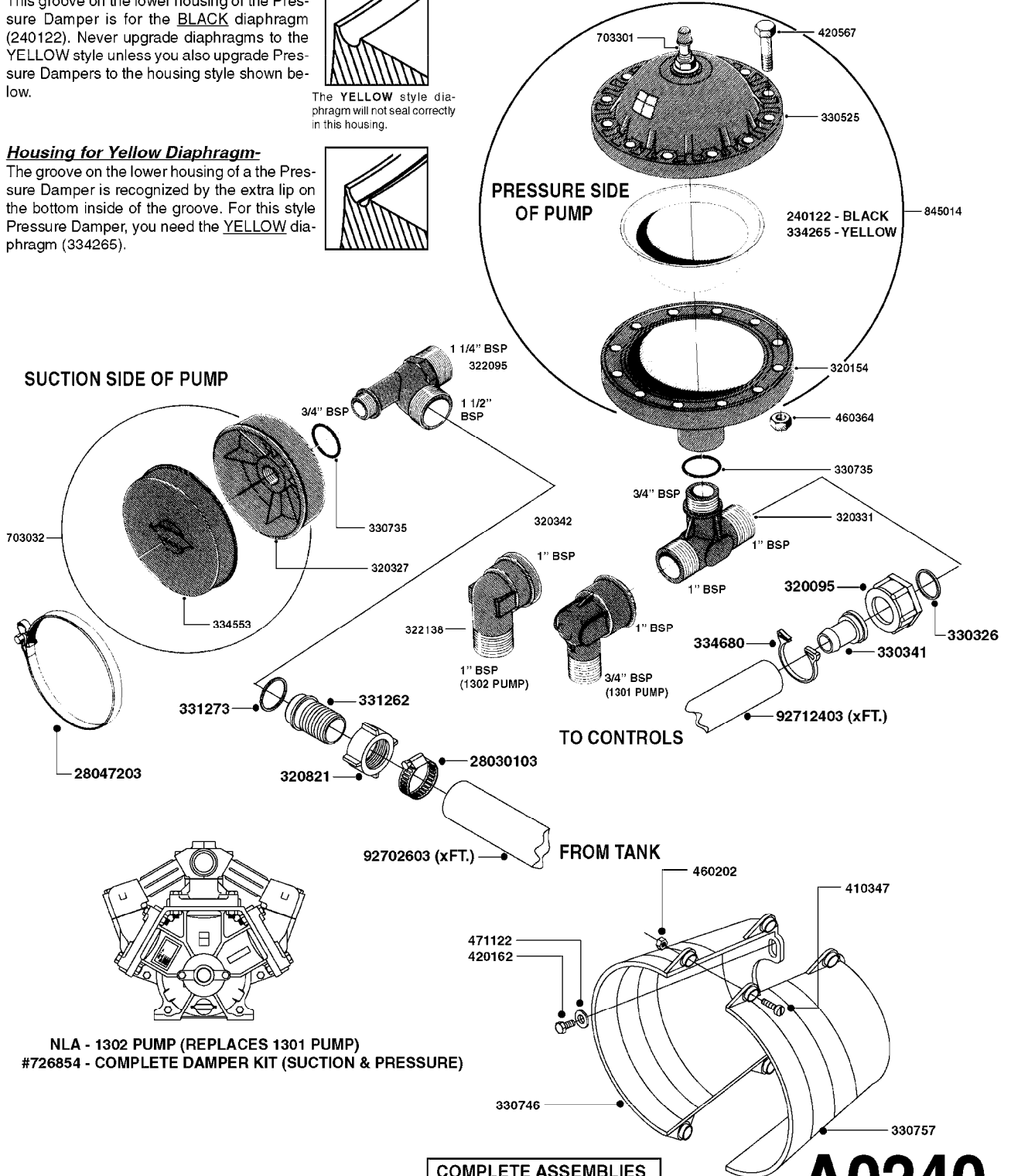
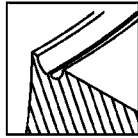
This groove on the lower housing of the Pressure Damper is for the BLACK diaphragm (240122). Never upgrade diaphragms to the YELLOW style unless you also upgrade Pressure Dampers to the housing style shown below.



The YELLOW style diaphragm will not seal correctly in this housing.

Housing for Yellow Diaphragm:

The groove on the lower housing of a the Pressure Damper is recognized by the extra lip on the bottom inside of the groove. For this style Pressure Damper, you need the YELLOW diaphragm (334265).



NLA - 1302 PUMP (REPLACES 1301 PUMP)
#726854 - COMPLETE DAMPER KIT (SUCTION & PRESSURE)

COMPLETE ASSEMBLIES
WHOLEGOODS ITEMS

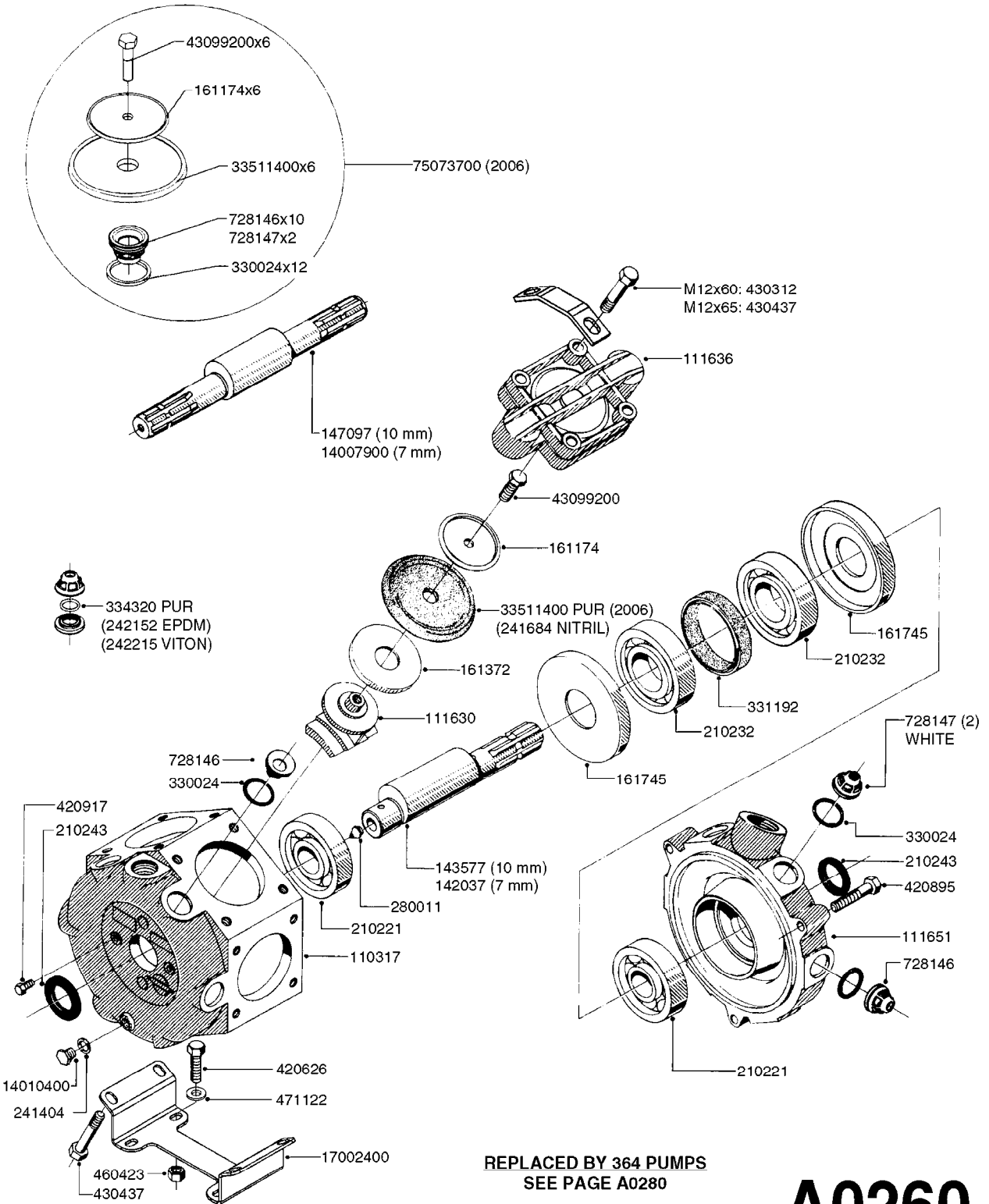
A0240



PUMP - 1301/1302 FITTINGS
A0240-HIN, 01:01:16

Page 1
Date 04.11.2017 13:49

| parts-n° | order qty | description |
|----------|-----------|------------------------------------|
| 240122 | 1 | DIAPHRAGM FOR PRES.DAMP.(EPDM) |
| 320095 | 1 | FITT.DK NUT 1" BSP |
| 320154 | 1 | AIR BOTTLE, BOTTOM PART |
| 320327 | 1 | HOUSING F. SUCTION AIR BOTTLE |
| 320331 | 1 | FITT.DK TEE 1" - 1" - 3/4" BSP |
| 320342 | 1 | FITT.DK EL 3/4"M X 1"F BSP |
| 320821 | 1 | FITT.DK NUT 1-1/2" BSP |
| 322095 | 1 | FITT.DK TEE 1-1/2 X1-1/4 X3/4" BSP |
| 322138 | 1 | FITT.DK ELB 1"M X 1"F BSP |
| 330326 | 1 | O-RING D30/D24X2 F.1"NUT |
| 330341 | 1 | FITT.DK HB 1" F. 1" NUT |
| 330525 | 1 | AIR BOTTLE, TOP HALF |
| 330735 | 1 | O-RING D30/D26X2 |
| 330746 | 1 | GUARD PTO LOWER PART SHORT |
| 330757 | 1 | GUARD PTO UPPER PART SHORT |
| 331262 | 1 | FITT.DK HB 1-1/2" F. 1-1/2"NUT |
| 331273 | 1 | O-RING D44/D38X2 F.1-1/2" |
| 334265 | 1 | DIAPHRAGM F. PRESS DAMP.NITRIL |
| 334553 | 1 | DIAPHRAGM F.SUCTION AIR BOTTLE |
| 334680 | 1 | CLAMP HOSE PLASTIC 1" |
| 410347 | 1 | SCREW M6X20 8.8 |
| 420162 | 1 | BOLT HEX 8.8 DEL 3/8"x15MM |
| 420567 | 1 | BOLT HEX 8.8 DEL M8X30 FT |
| 460202 | 1 | NUT HEX M6 |
| 460364 | 1 | NUT HU M8 A2 SS DIN934 |
| 471122 | 1 | WASHER, M10, Ø20/10.5X 2.0, SS |
| 703032 | 1 | SUCTION AIR BOTTLE 3/4" COMPL. |
| 703301 | 1 | VALVE FOR AIR BOTTLE |
| 726854 | 1 | DAMPER KIT 1203/1303 |
| 845014 | 1 | AIR BOTTLE COMPLETE HJ73 |
| 28030103 | 1 | CLAMP HOSE GEAR P5/4-S1.5"6724 |
| 28047203 | 1 | CLAMP HOSE GEAR 60 X 80 6756 |
| 92702603 | 1 | HOSE PVC SUCT GRAY 1-1/2" |
| 92712403 | 1 | HOSE R X1" X300PSI WP X0012" |



REPLACED BY 364 PUMPS
SEE PAGE A0280

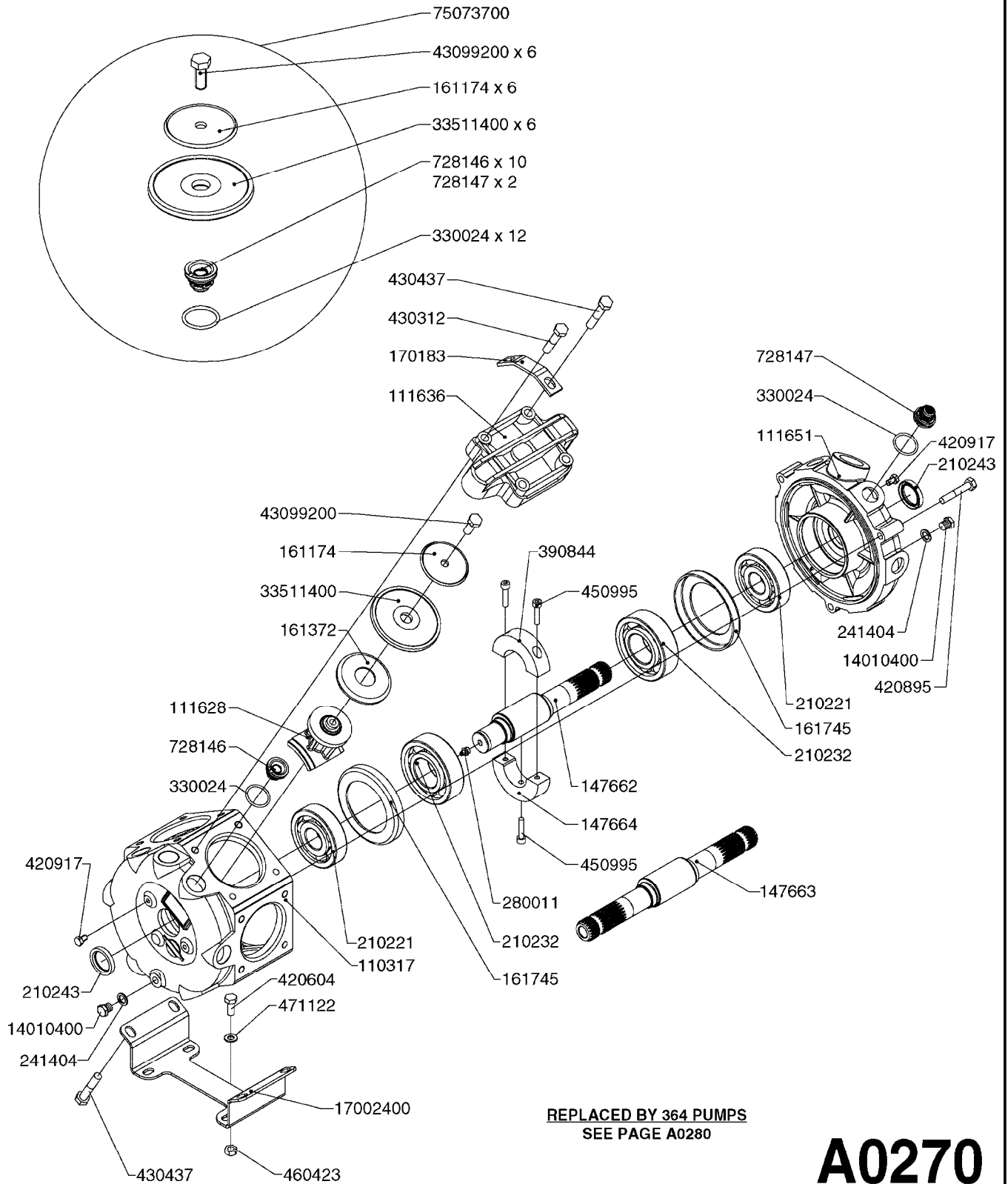
A0260



PUMP - 363 W/MOUNTING BASE
A0260-HIN, 17:03:16

Page 1
Date 04.11.2017 13:49

| parts-n° | order qty | description |
|----------|-----------|--|
| 110317 | 1 | PUMP CASING MODEL 360/361 PNTD |
| 111630 | 1 | CONNECTING ROD 363/364-10 PUMP |
| 111636 | 1 | VALVE COVER 363 HEAVY DUTY |
| 111651 | 1 | CASTING F.363 1.5" PUMP(FRONT) |
| 142037 | 1 | CRANK SHAFT 361-20 |
| 143577 | 1 | CRANK SHAFT F.363/462/463-10mm |
| 147097 | 1 | CRANK SHAFT 363-463/10 THROUGH |
| 161174 | 1 | DIAPHRAGM DISC SS 361/363/364 PUMP |
| 161372 | 1 | DIAPHRAGM BACKING DISC,320-361 |
| 161745 | 1 | METAL SPACER F.363/463 |
| 210221 | 1 | BEARING BALL 6407 |
| 210232 | 1 | BEARING BALL 6310 |
| 210243 | 1 | SEAL OIL 35 X 47 X 7 |
| 241404 | 1 | DOWTY SEAL 1/4" |
| 241684 | 1 | DEICER PARTS: DIAPHRAGM MODEL 361 NITRIL |
| 242152 | 1 | O-RING D18.2X3 EPDM |
| 242215 | 1 | O-RING D18X3 VITON |
| 280011 | 1 | GREASE NIPPLE 1/8" SAE H TR |
| 330024 | 1 | O-RING D41,1/D34.5 X 3,5 |
| 331192 | 1 | SPACER, MODEL 361/363 |
| 334320 | 1 | O-RING D18X3 POLYURETHANE |
| 420626 | 1 | BOLT HEX 8.8 DEL M10X20 FT |
| 420895 | 1 | BOLT HEX 8.8 RAW M10X60 |
| 420917 | 1 | BOLT HEX 8.8 RAW M8X12 FT |
| 430312 | 1 | BOLT HEX 8.8 RAW M12X60 |
| 430437 | 1 | BOLT HEX 8.8 RAW M12X65 |
| 460423 | 1 | NUT HEX M10X1.50 LOCK DIN985A2 SS |
| 471122 | 1 | WASHER, M10, Ø20/10.5X 2.0, SS |
| 728146 | 1 | VALVE FOR 361(726890/707932) |
| 728147 | 1 | VALVE FOR 361 WHITE WITH HOLE |
| 14007900 | 1 | CRANK 363/462/463-7mm 540/THRU |
| 14010400 | 1 | PLUG 1/4" BSP |
| 17002400 | 1 | FOOT F. 36X PUMP, RED |
| 33511400 | 1 | DIAPHRAGM PUMP 361/361/363/364 PUR |
| 43099200 | 1 | BOLT HEX SS M12 X 30 DIN933 A4 |
| 75073700 | 1 | PUMP KIT 361/363 "06" |





PUMP - 363/1000 RPM W/MOUNTING
A0270-HIN, 17:03:16

Page 1
Date 04.11.2017 13:49

| parts-n° | order qty | description |
|----------|-----------|------------------------------------|
| 110317 | 1 | PUMP CASING MODEL 360/361 PNTD |
| 111628 | 1 | CONNECTING ROD 363/5.5 PUMP |
| 111636 | 1 | VALVE COVER 363 HEAVY DUTY |
| 111651 | 1 | CASTING F.363 1.5" PUMP(FRONT) |
| 147662 | 1 | CRANK SHAFT F.363/463-5.5MM |
| 147663 | 1 | CRANK SHAFT 363/463-5.5 THROUG |
| 147664 | 1 | COUNTERBALANCE 363/463 WEIGHT |
| 161174 | 1 | DIAPHRAGM DISC SS 361/363/364 PUMP |
| 161372 | 1 | DIAPHRAGM BACKING DISC,320-361 |
| 161745 | 1 | METAL SPACER F.363/463 |
| 170183 | 1 | LIFT STRAP F.PUMP 360/361/462 |
| 210221 | 1 | BEARING BALL 6407 |
| 210232 | 1 | BEARING BALL 6310 |
| 210243 | 1 | SEAL OIL 35 X 47 X 7 |
| 241404 | 1 | DOWTY SEAL 1/4" |
| 280011 | 1 | GREASE NIPPLE 1/8' SAE H TR |
| 330024 | 1 | O-RING D41,1/D34.5 X 3,5 |
| 390844 | 1 | COUNTERBALANCE 363/463 POM |
| 420604 | 1 | BOLT HEX 8.8 DEL M10X25 FT DIN933 |
| 420895 | 1 | BOLT HEX 8.8 RAW M10X60 |
| 420917 | 1 | BOLT HEX 8.8 RAW M8X12 FT |
| 430312 | 1 | BOLT HEX 8.8 RAW M12X60 |
| 430437 | 1 | BOLT HEX 8.8 RAW M12X65 |
| 450995 | 1 | BOLT ALLEN M8X30 DIN 912 RAW |
| 460423 | 1 | NUT HEX M10X1.50 LOCK DIN985A2 SS |
| 471122 | 1 | WASHER, M10, Ø20/10.5X 2.0, SS |
| 728146 | 1 | VALVE FOR 361(726890/707932) |
| 728147 | 1 | VALVE FOR 361 WHITE WITH HOLE |
| 14010400 | 1 | PLUG 1/4" BSP |
| 17002400 | 1 | FOOT F. 36X PUMP, RED |
| 33511400 | 1 | DIAPHRAGM PUMP 361/361/363/364 PUR |
| 43099200 | 1 | BOLT HEX SS M12 X 30 DIN933 A4 |
| 75073700 | 1 | PUMP KIT 361/363 "06" |

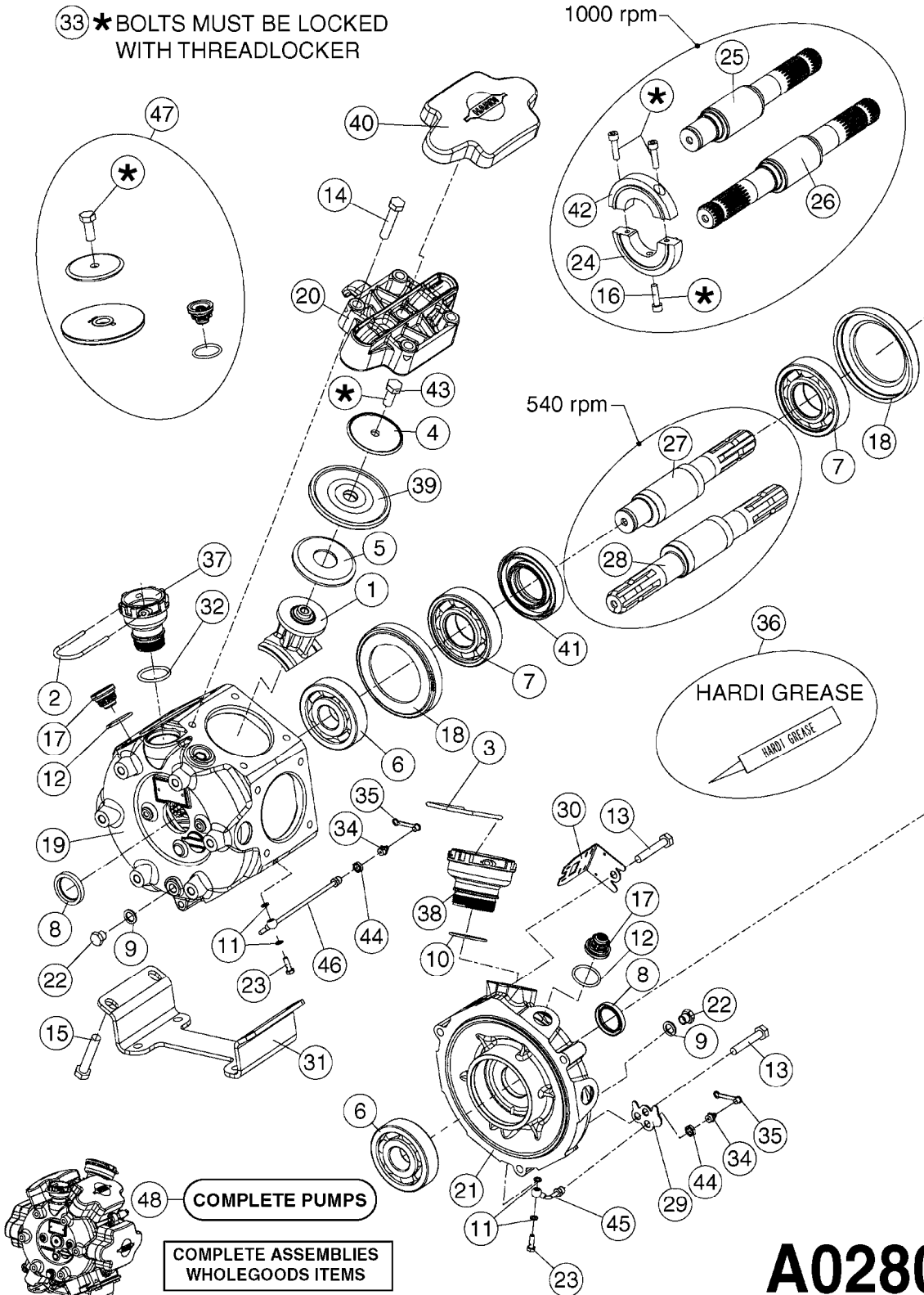


33 *BOLTS MUST BE LOCKED WITH THREADLOCKER

1000 rpm

540 rpm

HARDI GREASE



A0280



PUMP - 364 540/1000 RPM
A0280-HIN, 21:02:17

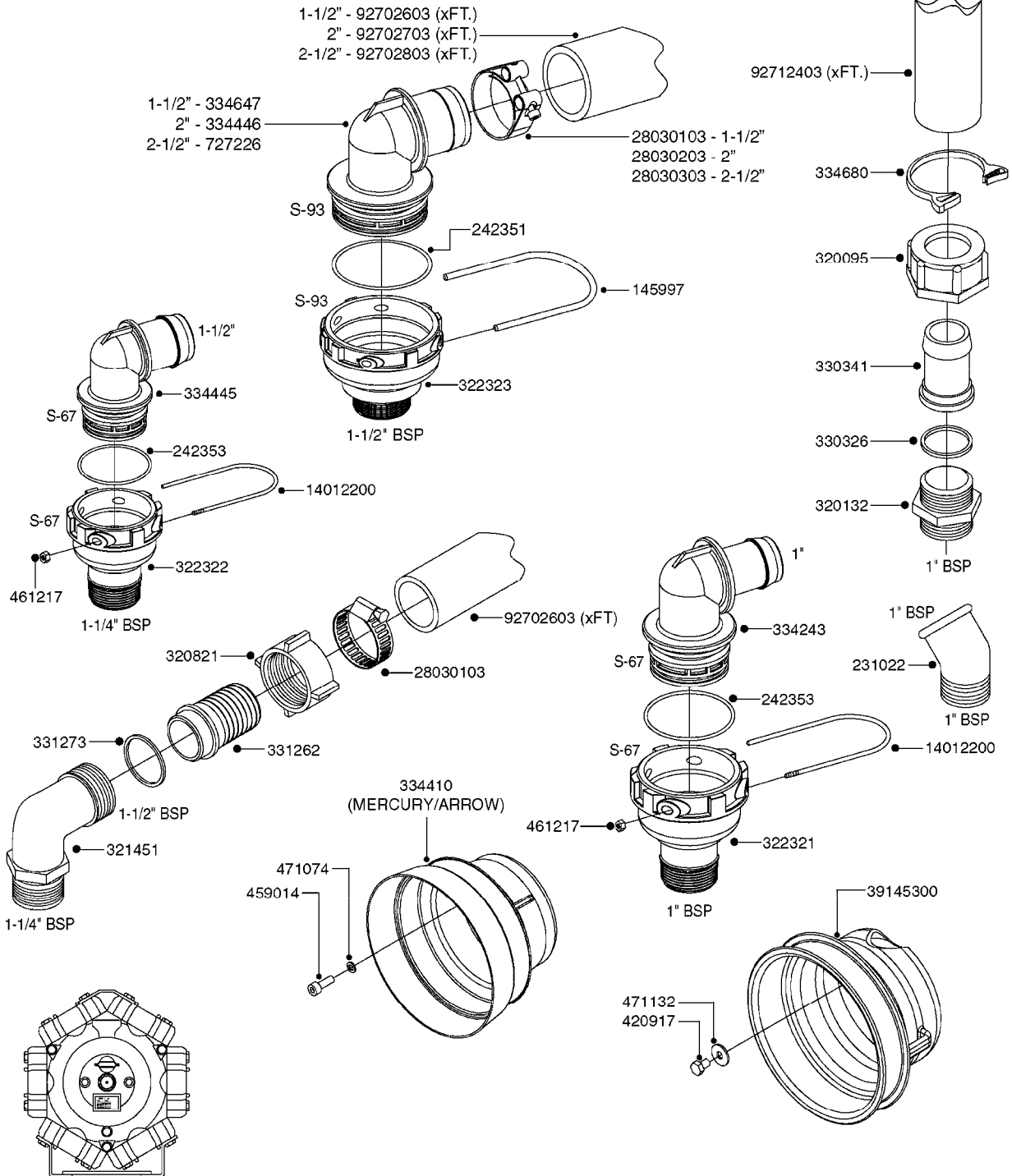
Page 1
Date 04.11.2017 13:49

| Pos. | parts-n° | order qty | description |
|------|----------|-----------|--------------------------------------|
| 1 | 111622 | 1 | CONNECTING ROD 463/5.5MM |
| 1 | 111628 | 1 | CONNECTING ROD 363/5.5 PUMP |
| 1 | 111629 | 1 | CONNECTING ROD 363/364-7 PUMP |
| 1 | 111630 | 1 | CONNECTING ROD 363/364-10 PUMP |
| 2 | 145996 | 1 | FITT.DK S-67 FORK |
| 3 | 145997 | 1 | FITT.DK S-93 FORK |
| 4 | 161174 | 1 | DIAPHRAGM DISC SS 361/363/364 PUMP |
| 5 | 161372 | 1 | DIAPHRAGM BACKING DISC,320-361 |
| 6 | 210221 | 1 | BEARING BALL 6407 |
| 7 | 210232 | 1 | BEARING BALL 6310 |
| 8 | 210243 | 1 | SEAL OIL 35 X 47 X 7 |
| 9 | 241404 | 1 | DOWTY SEAL 1/4" |
| 10 | 242225 | 1 | O-RING D45.0 X 4.0 RUBBER |
| 11 | 242374 | 1 | WASHER Ø10/Ø6X1 COPPER |
| 12 | 330024 | 1 | O-RING D41,1/D34.5 X 3,5 |
| 13 | 420895 | 1 | BOLT HEX 8.8 RAW M10X60 |
| 14 | 430312 | 1 | BOLT HEX 8.8 RAW M12X60 |
| 15 | 430437 | 1 | BOLT HEX 8.8 RAW M12X65 |
| 16 | 450995 | 1 | BOLT ALLEN M8X30 DIN 912 RAW |
| 17 | 728146 | 1 | VALVE FOR 361(726890/707932) |
| 18 | 11171900 | 1 | CONROD RING 364/464 MACHINED |
| 19 | 11172000 | 1 | PUMP HOUSE 364 MACHINED 5/4" BSP RED |
| 20 | 11172800 | 1 | VALVE COVER 363/364 MACHINED RED |
| 21 | 11173200 | 1 | FRONTPART 364, 1½" BSP RED |
| 22 | 14010400 | 1 | PLUG 1/4" BSP |
| 23 | 14120400 | 1 | BANJOBOLT M6 X 19 |
| 24 | 14120700 | 1 | COUNTERWEIGHT 364/464-1000 |
| 25 | 14137300 | 1 | CRANKSHAFT 364/464-5.5 1000 |
| 26 | 14137900 | 1 | CRANKSHAFT 364/464-5.5 GG 1000 |
| 27 | 14137600 | 1 | CRANKSHAFT 364/464-10 |
| 28 | 14138200 | 1 | CRANKSHAFT 364/464-10 GG |
| 29 | 16382900 | 1 | GREASE NIPPLE PLATE, 364 |
| 30 | 16390600 | 1 | BRACKET FOR RPM SENSOR |
| 31 | 17002400 | 1 | FOOT F. 36X PUMP, RED |
| 32 | 24266600 | 1 | O-RING D 38,0 X 4,0 70SH.NITR |
| 33 | 28045503 | 1 | LOCTITE 262 .5ML (.017oz.) |
| 34 | 28163300 | 1 | GREASE NIPPLE H1 M6X1 DIN 7412 |
| 35 | 28163400 | 1 | CAP F. GREASENIPPLE YELLOW M6X1 |
| 36 | 28164600 | 1 | HARDI PUMP GREASE S3 V550L 1 |
| 37 | 32242200 | 1 | FITTING S67 5/4" KON. RG 2014 |
| 38 | 32242300 | 1 | NIPPLE S93 1,5' KON.RG 2014 |
| 39 | 33511400 | 1 | DIAPHRAGM PUMP 361/361/363/364 PUR |
| 40 | 33524300 | 1 | COVER PLASTIC 364 PUMP |
| 41 | 33527200 | 1 | GREASE SPLIT 364/464 |
| 42 | 39136200 | 1 | HALFPART 364/464-1000 |
| 43 | 43099200 | 1 | BOLT HEX SS M12 X 30 DIN933 A4 |
| 44 | 46134000 | 1 | NUT HEX M10x1 H=2.3 NV=14 ELZIN |
| 45 | 61096800 | 1 | BANJOTUBE SHORT 364 COMPL. |
| 46 | 61096900 | 1 | BANJOTUBE LONG 364 COMPL. |
| 47 | 75585900 | 1 | PUMP KIT 364 |
| 48 | 82168100 | 1 | PUMP 464-5.5 THROUGH SHAFT 1000RPM |
| 48 | 82169500 | 1 | PUMP 364-5.5-MED-1000 |
| 48 | 82169700 | 1 | PUMP 364-5.5-MOD2-1000-OSP |
| 48 | 82170000 | 1 | PUMP 364-10-STD-540 FK |
| 48 | 82170300 | 1 | PUMP 364-10-MOD-540-GG THROUGH SHAFT |
| 48 | 82170400 | 1 | PUMP 364-10-MOD-540-OSP |



SUCTION SIDE OF PUMP

PRESSURE SIDE OF PUMP



COMPLETE PUMP
(NLA) REPLACED BY 364 PUMP (SEE PAGE A0280)

A0300



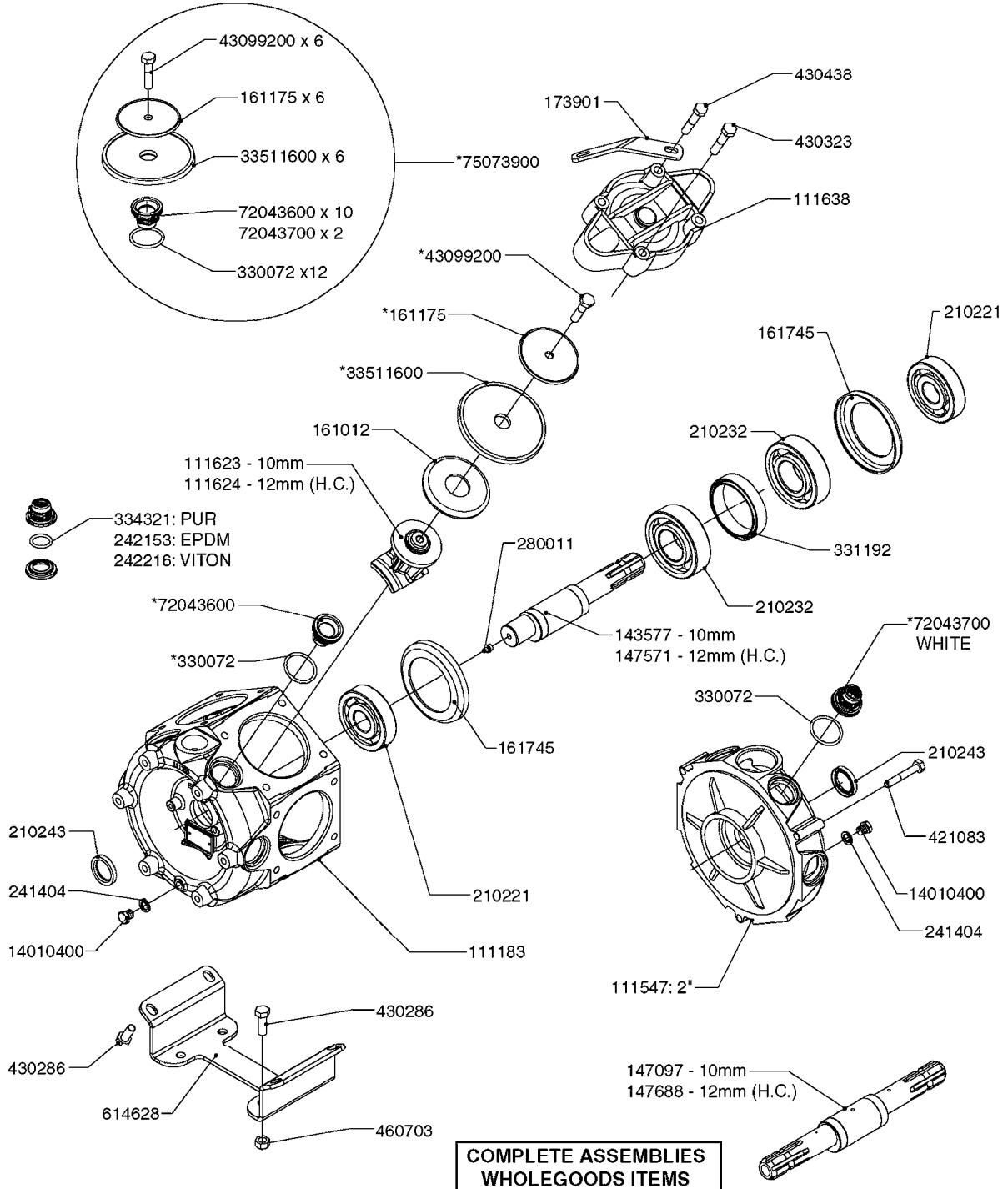
PUMP - 361/363 FITTINGS
A0300-HIN, 23:02:16

Page 1
Date 04.11.2017 13:49

| parts-n° | order qty | description |
|----------|-----------|----------------------------------|
| 145997 | 1 | FITT.DK S-93 FORK |
| 231022 | 1 | FITT.DK ELB. 1' BSP GF 121 |
| 242351 | 1 | O-RING D69.5X3.0 VITON F.S-93 |
| 242353 | 1 | O-RING D44.2X3.0 VITON F.S-67 |
| 320095 | 1 | FITT.DK NUT 1" BSP |
| 320132 | 1 | FITT.DK HN 1" BSP |
| 320821 | 1 | FITT.DK NUT 1-1/2" BSP |
| 321451 | 1 | FITT.DK ELB.1-1/2 X1-1/4 80DEG |
| 322321 | 1 | FITT.DK S-67 X 1"BSP MALE |
| 322322 | 1 | FITT.DK S-67 X 1-1/4"BSP MALE |
| 322323 | 1 | FITT.DK S-93 X 1-1/2"BSP MALE |
| 330326 | 1 | O-RING D30/D24X2 F.1"NUT |
| 330341 | 1 | FITT.DK HB 1" F. 1" NUT |
| 331262 | 1 | FITT.DK HB 1-1/2" F. 1-1/2"NUT |
| 331273 | 1 | O-RING D44/D38X2 F.1-1/2" |
| 334243 | 1 | HOSE TAIL 90° S67 1" |
| 334410 | 1 | PROTECTION PUM |
| 334445 | 1 | HOSE TAIL 90° S67 1"1/2 |
| 334446 | 1 | FITT.DK S-93 ELB.2" PVC |
| 334647 | 1 | FITT.DK S93 ELB 1-1/2" 90 PVC |
| 334680 | 1 | CLAMP HOSE PLASTIC 1" |
| 420917 | 1 | BOLT HEX 8.8 RAW M8X12 FT |
| 459014 | 1 | ALLEN SCREW M8 X 15 GALV.DIN93 |
| 461217 | 1 | NUT HEX M5 LOCK |
| 471074 | 1 | WASHER M8 ELZ |
| 471132 | 1 | WASHER D24/D8.4 X 2 SS |
| 727226 | 1 | FITT. S93 2-1/2" 90° S W/O-RING |
| 14012200 | 1 | FITT.DK S-67 FORK W/M5 THREADS |
| 28030103 | 1 | CLAMP HOSE GEAR P5/4-S1.5"6724 |
| 28030203 | 1 | CLAMP HOSE T-BOLT S2" 235-67 |
| 28030303 | 1 | CLAMP HOSE T-BOLT S2.5" 235-76 |
| 39145300 | 1 | PTO SHIELD Ø203 4-POLET MACHINED |
| 92702603 | 1 | HOSE PVC SUCT GRAY 1-1/2" |
| 92702703 | 1 | HOSE PVC SUCT GRAY 2" |
| 92702803 | 1 | HOSE PVC SUCT GRAY 2.5" |
| 92712403 | 1 | HOSE R X1" X300PSI WP X0012" |



PUMP REPAIR KIT



**COMPLETE ASSEMBLIES
WHOLEGOODS ITEMS**

COMPLETE PUMPS

- 821587 - 463/10 2" W/THROUGH SHAFT (540 RPM)
- 82166300 - 463/12 2" (540 RPM H.C. INLINE PORTS)
- 463/12 2" (540 RPM H.C. OFFSET PORTS) REPLACED BY 82168700 (PAGE A0350)

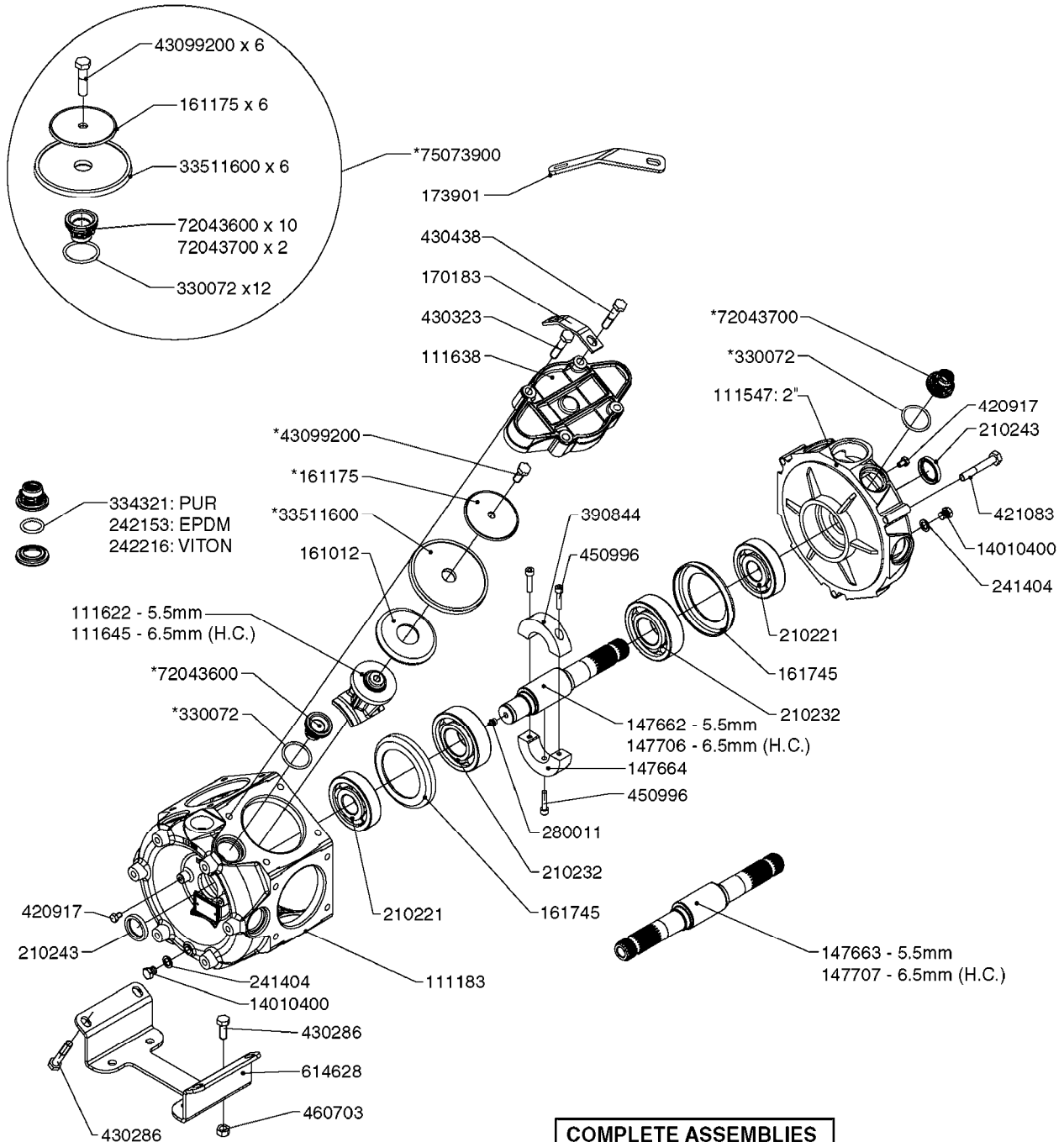
A0330



PUMP - 463 W/ MOUNTING BASE
A0330-HIN, 01:01:16

Page 1
Date 04.11.2017 13:49

| parts-n° | order qty | description |
|----------|-----------|-----------------------------------|
| 111183 | 1 | PUMP CASTING 460-463 (PAINTED) |
| 111547 | 1 | PUMP FRONT 460-463-2' (PAINT) |
| 111623 | 1 | CONNECTING ROD 463/10MM |
| 111624 | 1 | CONNECTING ROD 463/12MM |
| 111638 | 1 | VALVE COVER 463 HC+1000 VERS. |
| 143577 | 1 | CRANK SHAFT F.363/462/463-10mm |
| 147097 | 1 | CRANK SHAFT 363-463/10 THROUGH |
| 147571 | 1 | CRANK SHAFT F.463-12mm |
| 147688 | 1 | CRANK SHAFT 462/12 THROUGH |
| 161012 | 1 | DIAPHRAGM BACKING DISC F. 463 |
| 161175 | 1 | DIAPHRAGM DISC 463/464 PUMP |
| 161745 | 1 | METAL SPACER F.363/463 |
| 173901 | 1 | LIFT STRAP F.PUMP 463 |
| 210221 | 1 | BEARING BALL 6407 |
| 210232 | 1 | BEARING BALL 6310 |
| 210243 | 1 | SEAL OIL 35 X 47 X 7 |
| 241404 | 1 | DOWTY SEAL 1/4" |
| 242153 | 1 | O-RING D26X4 EPDM |
| 242216 | 1 | O-RING VITON F/1202/1302/462 |
| 280011 | 1 | GREASE NIPPLE 1/8' SAE H TR |
| 330072 | 1 | O-RING D53.5/D45.5X4 |
| 331192 | 1 | SPACER, MODEL 361/363 |
| 334321 | 1 | O-RING POLY. 34.0x26.0x4.0 |
| 421083 | 1 | BOLT HEX 8.8 DEL M10X65 |
| 430286 | 1 | BOLT HEX 8.8 DEL M12X30 FT |
| 430323 | 1 | BOLT HEX 8.8 DEL M12X60 |
| 430438 | 1 | BOLT HEX 8.8 DEL M12X65 |
| 460703 | 1 | NUT HEX M12X1.75 LOCK DIN985A2 SS |
| 614628 | 1 | FOOT F. 46X PUMP, RED |
| 821587 | 1 | PUMP 463/10 THROUGH SHAFT TWNF |
| 14010400 | 1 | PLUG 1/4" BSP |
| 33511600 | 1 | DIAPHRAGM PUMP 463/464 PUMP PUR |
| 43099200 | 1 | BOLT HEX SS M12 X 30 DIN933 A4 |
| 72043600 | 1 | VALVE FOR 462/463 |
| 72043700 | 1 | VALVE FOR 462/463 W.VENT HOLE |
| 75073900 | 1 | PUMP KIT 460/463 "06" |
| 82166300 | 1 | PUMP 464-12-MED-2-540 |
| 82168700 | 1 | PUMP 464-12 540 OFFSET PORTS |



**COMPLETE ASSEMBLIES
WHOLEGOODS ITEMS**

COMPLETE PUMPS

- 821585 - 463/5.5 W/THROUGH SHAFT (1000 RPM)
- 821587 - 463/10 W/THROUGH SHAFT (540 RPM)
- 82169400 - 464/6.5 (1000 RPM - H.C. INLINE PORTS)
- 72293300 - 463/6.5 W/THROUGH SHAFT (1000 RPM)
- 463/12 (540 RPM H.C. OFFSET PORTS) REPLACED BY 82168700 (PAGE A0350)
- 463/6.5 (1000 RPM H.C. OFFSET PORTS) REPLACED BY 82168800 (PAGE A0350)

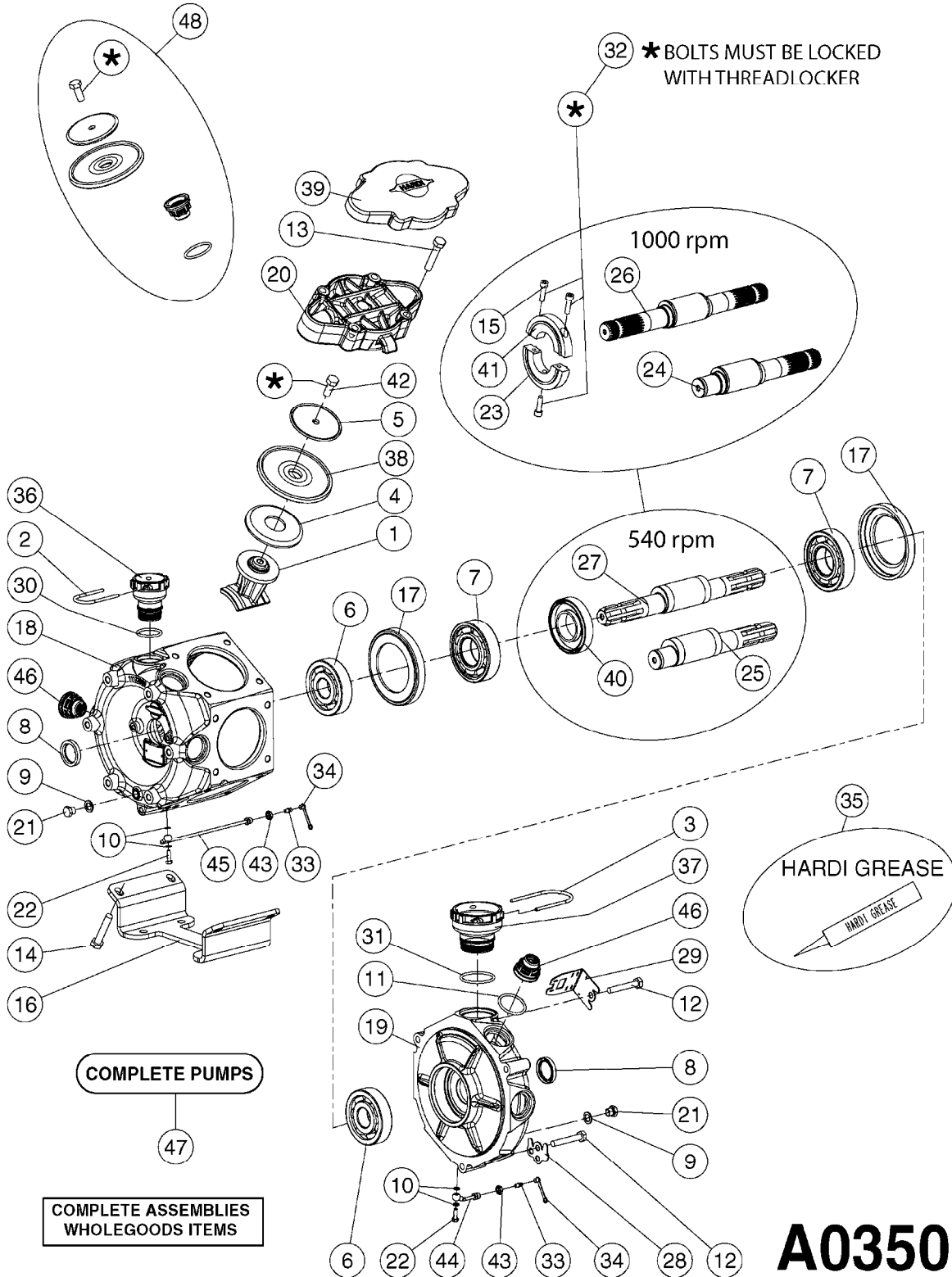
A0340



PUMP - 463/1000 RPM W/MOUNTING
A0340-HIN, 01:01:16

Page 1
Date 04.11.2017 13:49

| parts-n° | order qty | description |
|----------|-----------|-----------------------------------|
| 111183 | 1 | PUMP CASTING 460-463 (PAINTED) |
| 111547 | 1 | PUMP FRONT 460-463-2' (PAINT) |
| 111622 | 1 | CONNECTING ROD 463/5.5MM |
| 111638 | 1 | VALVE COVER 463 HC+1000 VERS. |
| 111645 | 1 | CONNECTING ROD 463/6.5MM |
| 147662 | 1 | CRANK SHAFT F.363/463-5.5MM |
| 147663 | 1 | CRANK SHAFT 363/463-5.5 THROUG |
| 147664 | 1 | COUNTERBALANCE 363/463 WEIGHT |
| 147706 | 1 | CRANK SHAFT F.363/463-6.5MM |
| 147707 | 1 | CRANK SHAFT 363/463-6.5 THROUG |
| 161012 | 1 | DIAPHRAGM BACKING DISC F. 463 |
| 161175 | 1 | DIAPHRAGM DISC 463/464 PUMP |
| 161745 | 1 | METAL SPACER F.363/463 |
| 170183 | 1 | LIFT STRAP F.PUMP 360/361/462 |
| 173901 | 1 | LIFT STRAP F.PUMP 463 |
| 210221 | 1 | BEARING BALL 6407 |
| 210232 | 1 | BEARING BALL 6310 |
| 210243 | 1 | SEAL OIL 35 X 47 X 7 |
| 241404 | 1 | DOWTY SEAL 1/4" |
| 242153 | 1 | O-RING D26X4 EPDM |
| 242216 | 1 | O-RING VITON F/1202/1302/462 |
| 280011 | 1 | GREASE NIPPLE 1/8' SAE H TR |
| 330072 | 1 | O-RING D53.5/D45.5X4 |
| 334321 | 1 | O-RING POLY. 34.0x26.0x4.0 |
| 390844 | 1 | COUNTERBALANCE 363/463 POM |
| 420917 | 1 | BOLT HEX 8.8 RAW M8X12 FT |
| 421083 | 1 | BOLT HEX 8.8 DEL M10X65 |
| 430286 | 1 | BOLT HEX 8.8 DEL M12X30 FT |
| 430323 | 1 | BOLT HEX 8.8 DEL M12X60 |
| 430438 | 1 | BOLT HEX 8.8 DEL M12X65 |
| 450996 | 1 | BOLT ALLEN M8X35 DIN 912 RAW |
| 460703 | 1 | NUT HEX M12X1.75 LOCK DIN985A2 SS |
| 614628 | 1 | FOOT F. 46X PUMP, RED |
| 821585 | 1 | PUMP 463/5.5 THRGH SHAFT 1000R |
| 821587 | 1 | PUMP 463/10 THROUGH SHAFT TWNF |
| 14010400 | 1 | PLUG 1/4" BSP |
| 33511600 | 1 | DIAPHRAGM PUMP 463/464 PUMP PUR |
| 43099200 | 1 | BOLT HEX SS M12 X 30 DIN933 A4 |
| 72043600 | 1 | VALVE FOR 462/463 |
| 72043700 | 1 | VALVE FOR 462/463 W.VENT HOLE |
| 72293300 | 1 | PUMP 463/6.5 MED-2-1000-GG |
| 75073900 | 1 | PUMP KIT 460/463 "06" |
| 82168700 | 1 | PUMP 464-12 540 OFFSET PORTS |
| 82168800 | 1 | PUMP 464 6.5 1000 OFFSET PORTS |
| 82169400 | 1 | PUMP 464-6.5-STD-2-1000 FK |





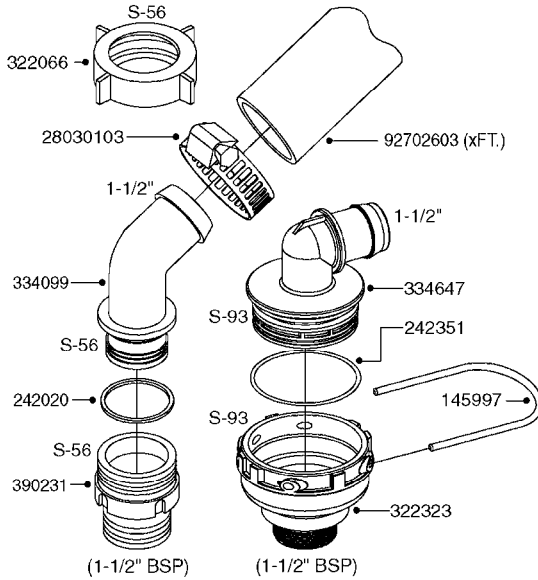
PUMP - 464 540/1000 RPM
A0350-HIN, 22:02:16

Page 1
Date 04.11.2017 13:49

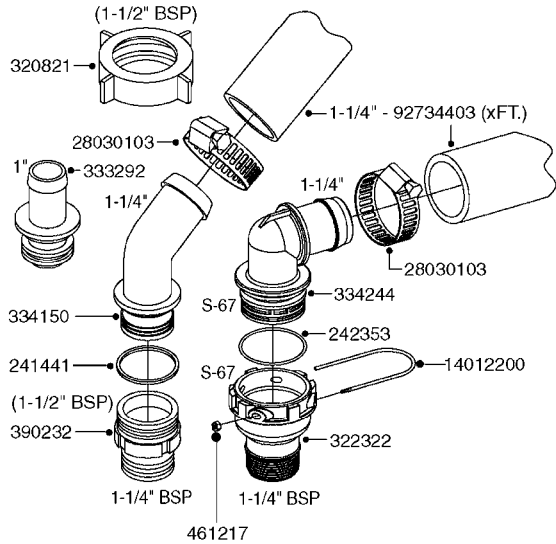
| Pos. | parts-n° | order qty | description |
|------|----------|-----------|--------------------------------------|
| 1 | 111622 | 1 | CONNECTING ROD 463/5.5MM |
| 1 | 111623 | 1 | CONNECTING ROD 463/10MM |
| 1 | 111624 | 1 | CONNECTING ROD 463/12MM |
| 1 | 111645 | 1 | CONNECTING ROD 463/6.5MM |
| 2 | 145996 | 1 | FITT.DK S-67 FORK |
| 3 | 145997 | 1 | FITT.DK S-93 FORK |
| 4 | 161012 | 1 | DIAPHRAGM BACKING DISC F. 463 |
| 5 | 161175 | 1 | DIAPHRAGM DISC 463/464 PUMP |
| 6 | 210221 | 1 | BEARING BALL 6407 |
| 7 | 210232 | 1 | BEARING BALL 6310 |
| 8 | 210243 | 1 | SEAL OIL 35 X 47 X 7 |
| 9 | 241404 | 1 | DOWTY SEAL 1/4" |
| 10 | 242374 | 1 | WASHER Ø10/Ø6X1 COPPER |
| 11 | 330072 | 1 | O-RING D53.5/D45.5X4 |
| 12 | 421072 | 1 | BOLT HEX 8.8 RAW M10X65 |
| 13 | 430312 | 1 | BOLT HEX 8.8 RAW M12X60 |
| 14 | 430437 | 1 | BOLT HEX 8.8 RAW M12X65 |
| 15 | 450995 | 1 | BOLT ALLEN M8X30 DIN 912 RAW |
| 16 | 614628 | 1 | FOOT F. 46X PUMP, RED |
| 17 | 11171900 | 1 | CONROD RING 364/464 MACHINED |
| 18 | 11172200 | 1 | PUMP HOUSE 464 MACHINED 5/4" BSP RED |
| 19 | 11172600 | 1 | FRONTPART 464 MACHINED 2" BSP RED |
| 20 | 11173000 | 1 | VALVE COVER.463/464 MACHINED RED |
| 21 | 14010400 | 1 | PLUG 1/4" BSP |
| 22 | 14120400 | 1 | BANJOBOLT M6 X 19 |
| 23 | 14120700 | 1 | COUNTERWEIGHT 364/464-1000 |
| 24 | 14137300 | 1 | CRANKSHAFT 364/464-5.5 1000 |
| 24 | 14137400 | 1 | CRANKSHAFT 364/464-6.5 1000 |
| 25 | 14137600 | 1 | CRANKSHAFT 364/464-10 |
| 25 | 14137700 | 1 | CRANKSHAFT 464-12 |
| 26 | 14137900 | 1 | CRANKSHAFT 364/464-5.5 GG 1000 |
| 26 | 14138000 | 1 | CRANKSHAFT 364/464-6.5 GG 1000 |
| 27 | 14138200 | 1 | CRANKSHAFT 364/464-10 GG |
| 27 | 14138300 | 1 | CRANKSHAFT 464-12 GG |
| 28 | 16383000 | 1 | GREASE NIPPLE PLATE 464 |
| 29 | 16390600 | 1 | BRACKET FOR RPM SENSOR |
| 30 | 24266600 | 1 | O-RING D 38,0 X 4,0 70SH.NITR |
| 31 | 24266800 | 1 | O-RING D 54,0 X 4,0 70SH.NITR |
| 32 | 28045503 | 1 | LOCTITE 262 .5ML (.017oz.) |
| 33 | 28163300 | 1 | GREASE NIPPLE H1 M6X1 DIN 7412 |
| 34 | 28163400 | 1 | CAP F. GREASENIPPLE YELLOW M6X1 |
| 35 | 28164600 | 1 | HARDI PUMP GREASE S3 V550L 1 |
| 36 | 32242200 | 1 | FITTING S67 5/4" KON. RG 2014 |
| 37 | 32242400 | 1 | FITTING S93 2" KON. RG 2014 |
| 38 | 33511600 | 1 | DIAPHRAGM PUMP 463/464 PUMP PUR |
| 39 | 33524000 | 1 | COVER PLASTIC 464 PUMP |
| 40 | 33527200 | 1 | GREASE SPLIT 364/464 |
| 41 | 39136200 | 1 | HALFPART 364/464-1000 |
| 42 | 43099200 | 1 | BOLT HEX SS M12 X 30 DIN933 A4 |
| 43 | 46134000 | 1 | NUT HEX M10x1 H=2.3 NV=14 ELZIN |
| 44 | 61097000 | 1 | BANJOTUBE SHORT 464 COMPL. |
| 45 | 61097100 | 1 | BANJOTUBE LONG 464 COMPL. |
| 46 | 72043600 | 1 | VALVE FOR 462/463 |
| 47 | 72993500 | 1 | PUMP 464-12-540, CM |
| 47 | 72993600 | 1 | PUMP 464-6.5 MED-2-1000 |
| 47 | 82168700 | 1 | PUMP 464-12 540 OFFSET PORTS |
| 47 | 82168800 | 1 | PUMP 464 6.5 1000 OFFSET PORTS |
| 47 | 82169000 | 1 | PUMP 464-10-MOD-2-540 |
| 48 | 75586000 | 1 | PUMP KIT 464 |



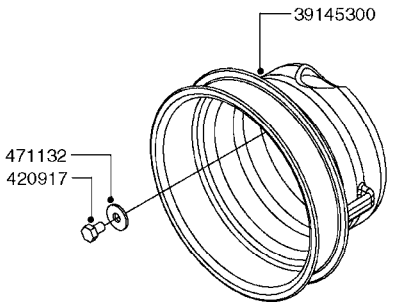
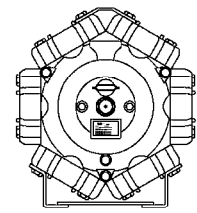
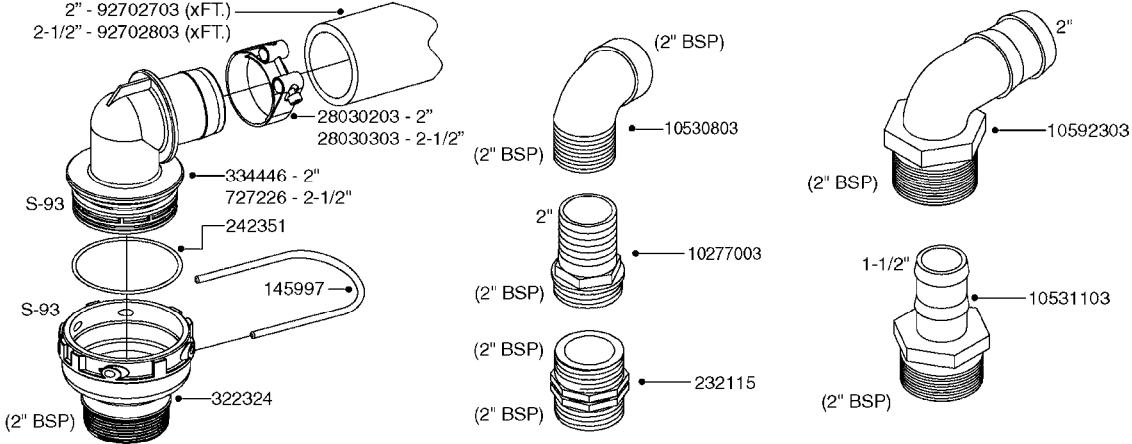
SUCTION SIDE OF PUMP (WITH 1-1/2" SUCTION PORT)



PRESSURE SIDE OF PUMP



SUCTION SIDE OF PUMP (WITH 2" SUCTION PORT)



COMPLETE PUMP
(NLA) REPLACED BY 464 PUMP (SEE PAGE A0350)

A0390

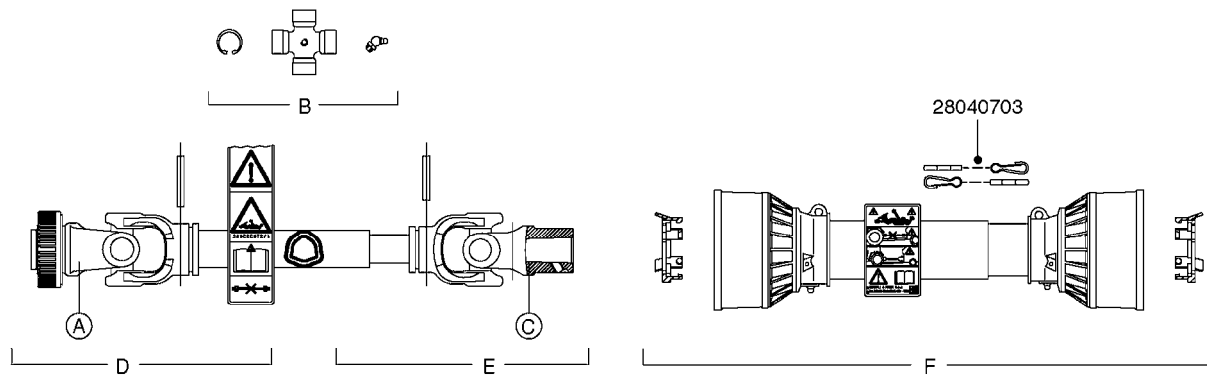


PUMP - 460/462/463 FITTINGS
A0390-HIN, 23:02:16

Page 1

Date 04.11.2017 13:49

| parts-n° | order qty | description |
|----------|-----------|----------------------------------|
| 145997 | 1 | FITT.DK S-93 FORK |
| 232115 | 1 | FITT HEX NIPPLE 2'-2' BSP |
| 241441 | 1 | O-RING D29.3X3 |
| 242020 | 1 | O-RING 39.2 X 3 VITON |
| 242351 | 1 | O-RING D69.5X3.0 VITON F.S-93 |
| 242353 | 1 | O-RING D44.2X3.0 VITON F.S-67 |
| 320821 | 1 | FITT.DK NUT 1-1/2" BSP |
| 322066 | 1 | FITT.DK S-56 NUT |
| 322322 | 1 | FITT.DK S-67 X 1-1/4"BSP MALE |
| 322323 | 1 | FITT.DK S-93 X 1-1/2"BSP MALE |
| 322324 | 1 | FITTING S93 FEMALE - BSP 2" MALE |
| 333292 | 1 | FITT.DK HB 1"O'RING F.1-1/2" |
| 334099 | 1 | FITT.DK S-61 ELB.1-1/2"110 DEG |
| 334150 | 1 | FITT.DK HB 1-1/4" 110 F.1-1/2" |
| 334244 | 1 | HOSE TAIL 90° S67 1"1/4 |
| 334446 | 1 | FITT.DK S-93 ELB.2" PVC |
| 334647 | 1 | FITT.DK S93 ELB 1-1/2" 90 PVC |
| 390231 | 1 | FITT.DK NIPPLE 1-1/2 X S56 |
| 390232 | 1 | FITT.DK HN 1-1/2' X 1-1/4' BSP |
| 420917 | 1 | BOLT HEX 8.8 RAW M8X12 FT |
| 461217 | 1 | NUT HEX M5 LOCK |
| 471132 | 1 | WASHER D24/D8.4 X 2 SS |
| 727226 | 1 | FITT. S93 2-1/2" 90° S W/O-RING |
| 10277003 | 1 | FITT.PO.HB 2.00X2.00 MCPHEE |
| 10530803 | 1 | FITT.PO.SE 2.00X2.00 45 DEG. |
| 10531103 | 1 | FITT.PO.HB 2.00"NPT X 1.50"HOS |
| 10592303 | 1 | FITT.PO.HB 2.00X 2.00BSP 90DEG |
| 14012200 | 1 | FITT.DK S-67 FORK W/M5 THREADS |
| 28030103 | 1 | CLAMP HOSE GEAR P5/4-S1.5"6724 |
| 28030203 | 1 | CLAMP HOSE T-BOLT S2" 235-67 |
| 28030303 | 1 | CLAMP HOSE T-BOLT S2.5" 235-76 |
| 39145300 | 1 | PTO SHIELD Ø203 4-POLET MACHINED |
| 92702603 | 1 | HOSE PVC SUCT GRAY 1-1/2" |
| 92702703 | 1 | HOSE PVC SUCT GRAY 2" |
| 92702803 | 1 | HOSE PVC SUCT GRAY 2.5" |
| 92734403 | 1 | HOSE R X5/4" X200PSI WP X0012" |



| PTO | TRACTOR | IMPLEMENT | LENGTH | A | B | C | D | E | F |
|----------|---------------------|---------------------|-----------|----------|----------|----------|----------|----------|----------|
| 28020203 | 1-3/4" 20-SPLINE | 1-3/8" 21-SPLINE | 860/1313 | 28015703 | 28009403 | 28040603 | 28015803 | 28015903 | 28016003 |
| 28020303 | 1-3/8" 21-SPLINE | 1-3/8" 21-SPLINE | 860/1328 | 28015103 | 28015203 | 28015303 | 28015403 | 28015503 | 28015603 |
| 829445 | 1-3/8" 6-SPLINE | 1-3/8" 6-SPLINE | 810/1219 | 284041 | 289045 | 289041 | 28016703 | 28016803 | 289050 |
| 829446 | 1-3/8" 6-SPLINE | 1-3/8" 6-SPLINE | 810/1230 | 289040 | 284041 | 289040 | 28016203 | 28016303 | 289049 |
| 829480 | 1-3/8" 21-SPLINE | 1-3/8" 21-SPLINE | 1210/1912 | 28005200 | 289042 | 28005800 | 28006700 | 28007300 | 28008100 |
| 829482 * | 1-3/8" 6-SPLINE | Ø25 CONE 3 | 610/912 | 28005400 | 289042 | 28006000 | 28008500 | 28007500 | 28008600 |
| 829483 * | 1-3/8" 6-SPLINE | Ø30 CONE 4 | 610/912 | 28005400 | 289042 | 28006100 | 28008500 | - | 28008600 |
| 829484 * | 1-3/8" 6-SPLINE | 1-3/8" 6-SPLINE | 610/912 | 28005400 | 289042 | 28006200 | 28008500 | - | 28008600 |
| 829486 | 1-3/8" 6-SPLINE | Ø30 CONE 4 | 860/1328 | 28005400 | 289042 | 28006100 | 28006900 | - | 28008100 |
| 829487 * | 1-3/8" 6-SPLINE | 1-3/8" 6-SPLINE | 860/1328 | 28005400 | 289042 | 28006200 | 28006900 | - | 28008100 |
| 829490 | 1-3/8" 6-SPLINE | Ø30 CONE 4 | 1210/1912 | 28005400 | 289042 | 28006100 | 28006900 | - | 28008100 |
| 829491 | 1-3/8" 6-SPLINE | Ø1" | 610/912 | 28005400 | 289042 | 28006300 | 28008500 | 28007800 | 28008600 |
| 829502 * | 1-3/8" 6-SPLINE | 1-3/8" 6-SPLINE | 1210/1912 | 28068800 | 28069700 | 28073000 | - | - | 28072800 |

* Supplier changed in 2011 - see page A0580 for "AMA" PTO's (yellow and black shields).

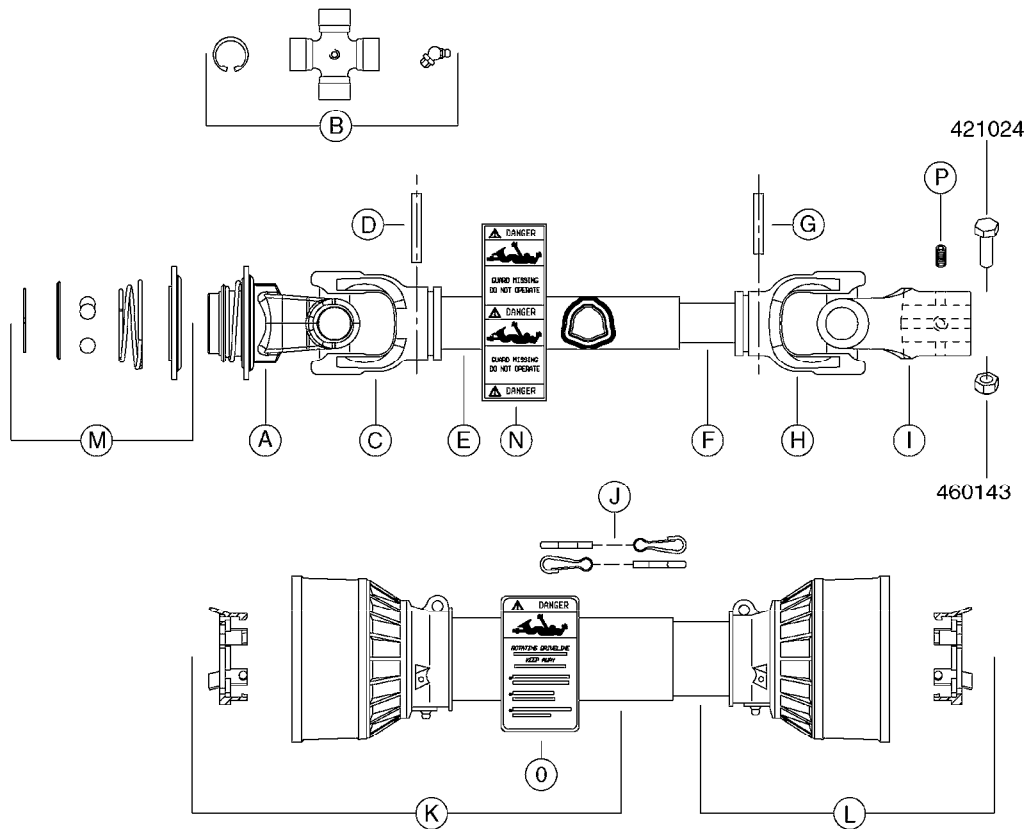
A0510



PTO SHAFTS - BONDIOLI DIAPH.
A0510-HIN, 01:01:16

Page 1
Date 04.11.2017 13:49

| parts-n° | order qty | description |
|----------|-----------|--|
| 284041 | 1 | UNIV. JOINT 27x70mm |
| 289040 | 1 | PTO YOKE 1-3/8" X 6 SPLINE |
| 289041 | 1 | PTO YOKE 1-3/8" X 6 SPLINE |
| 289042 | 1 | UNIV. JOINT 22x54mm |
| 289045 | 1 | UNIV. JOINT 30.2x79.4mm |
| 289049 | 1 | PTO SHIELD COMPLETE F.829446 |
| 289050 | 1 | PTO SHIELD COMPLETE F.829445 |
| 829445 | 1 | PTO 1-3/8/6X1-3/8/6X810M AXIAL |
| 829446 | 1 | PTO SHAFT LE-SPV + LP ZE-P540 |
| 829480 | 1 | PTO 1-3/8/21 x 1-3/8/21x1210MM |
| 829482 | 1 | PTO 1-3/8/6X25MM X 600MM 1202 |
| 829483 | 1 | PTO 1-3/8/6X30MM x 610MM 1302 |
| 829484 | 1 | PTO 1-3/8/6X1-3/8/6X575MM 361 |
| 829486 | 1 | PTO 1-3/8/6X30MM X870MM 1302 |
| 829487 | 1 | PTO 1-3/8/6X1-3/8/6X870MM 361 |
| 829490 | 1 | PTO 1-3/8/6X30MM 1320MM 1302 |
| 829491 | 1 | PTO 1-3/8/6X1' 610/913MM 9016 |
| 829502 | 1 | PTO 1-3/8/6x1210/1745 |
| 28005200 | 1 | PTO YOKE 1-3/8" X 21 SPLINE |
| 28005400 | 1 | PTO YOKE 1-3/8" X 6 SPLINE |
| 28005800 | 1 | PTO YOKE 1-3/8" X 21 SPLINE |
| 28006000 | 1 | PTO YOKE D25 CONE 3 DEG. |
| 28006100 | 1 | PTO YOKE D30 CONE 4 DEG. |
| 28006200 | 1 | PTO YOKE 1-3/8" X 6 SPLINE |
| 28006300 | 1 | PTO YOKE D1" |
| 28006700 | 1 | PTO HALF SHAFT - TRACTOR END |
| 28006900 | 1 | PTO HALF SHAFT - TRACTOR END |
| 28007300 | 1 | PTO INNER D1" (NO SHIELD) |
| 28007500 | 1 | PTO INNER D1" (NO SHIELD) |
| 28007800 | 1 | PTO INNER D1" (NO SHIELD) |
| 28008100 | 1 | PTO SHIELD COMPLETE |
| 28008500 | 1 | PTO HALF SHAFT - TRACTOR END |
| 28008600 | 1 | PTO SHIELD ASSY COMPLETE |
| 28009403 | 1 | UNIV. JOINT 27x74.6mm |
| 28015103 | 1 | PTO YOKE 1-3/8"X21 TWST OLD |
| 28015203 | 1 | UNIV. JOINT 23.8x61.3mm |
| 28015303 | 1 | PTO YOKE 1-3/8"X21 BALL COLLAR |
| 28015403 | 1 | PTO OUTER 1-3/8"X21 (SHIELDED) |
| 28015503 | 1 | PTO INNER 1-3/8"X21 (NO SHIELD) |
| 28015603 | 1 | PTO SHIELD COMPLETE F.28020303 |
| 28015703 | 1 | PTO YOKE 1-3/4"X20 SPL OUTER |
| 28015803 | 1 | PTO OUTER 1-3/4"X20 (NO SHIELD) |
| 28015903 | 1 | PTO INNER 1-3/8"X21 (NO SHIELD) |
| 28016003 | 1 | PTO SHIELD COMPLETE F.10465803 |
| 28016203 | 1 | PTO OUTER 1-3/8"X6 (SHIELDED) |
| 28016303 | 1 | PTO INNER 1-3/8"X6 (NO SHIELD) |
| 28016703 | 1 | PTO OUTER 1-3/8"X6 (NO SHIELD) |
| 28016803 | 1 | PTO INNER 1-3/8"X6 (NO SHIELD) |
| 28020203 | 1 | PTO 1-3/4/20x1-3/8/21 BP L=860 |
| 28020303 | 1 | PTO 1-3/8/21 x 1-3/8/21 B&P |
| 28040603 | 1 | PTO YOKE 1-3/8X21SPL BLACK |
| 28040703 | 1 | SAFETY CHAIN F.CV BLACK PTO (SET OF 2) |
| 28068800 | 1 | PTO YOKE 1-3/8" X 6 SPLINE |
| 28069700 | 1 | UNIV. JOINT STD1 SFT |
| 28072800 | 1 | PTO SHIELD COMPLETE L=1912 SFT |
| 28073000 | 1 | PTO YOKE 1-3/8" X 6 SPLINE |



**COMPLETE ASSEMBLIES
WHOLEGOOD ITEMS**

| PTO # | 28021403 | 28021503 | 28021603 |
|-----------|-----------------|------------------|------------------|
| TRACTOR | 1-3/8" 6 SPLINE | 1-3/8" 21 SPLINE | 1-3/4" 20 SPLINE |
| IMPLEMENT | D1" | D1" | D1" |
| LENGTH | 1031/1501 | 1031/1499 | 1066/1519 |
| A | 28056703 | 28056803 | 28056903 |
| B | 289042 | 289042 | 28040503 |
| C | 28057003 | 28057003 | 28057103 |
| D | 28057203 | 28057203 | 28009803 |
| E | 28057303 | 28057303 | 28057403 |
| F | 28057503 | 28057503 | 28057603 |
| G | 28057703 | 28057703 | 28009903 |
| H | 28058503 | 28058503 | 28010103 |
| I | 28057803 | 28057803 | 28057903 |
| J | 28040703 | 28040703 | 28040703 |
| K | 28058003 | 28058003 | 28058103 |
| L | 28058203 | 28058203 | 28058303 |
| M | 28027903 | 28027903 | 28058403 |
| N | 28041803 | 28041803 | 28041803 |
| O | 28041903 | 28041903 | 28041903 |
| P | 450015 | 450015 | 450015 |

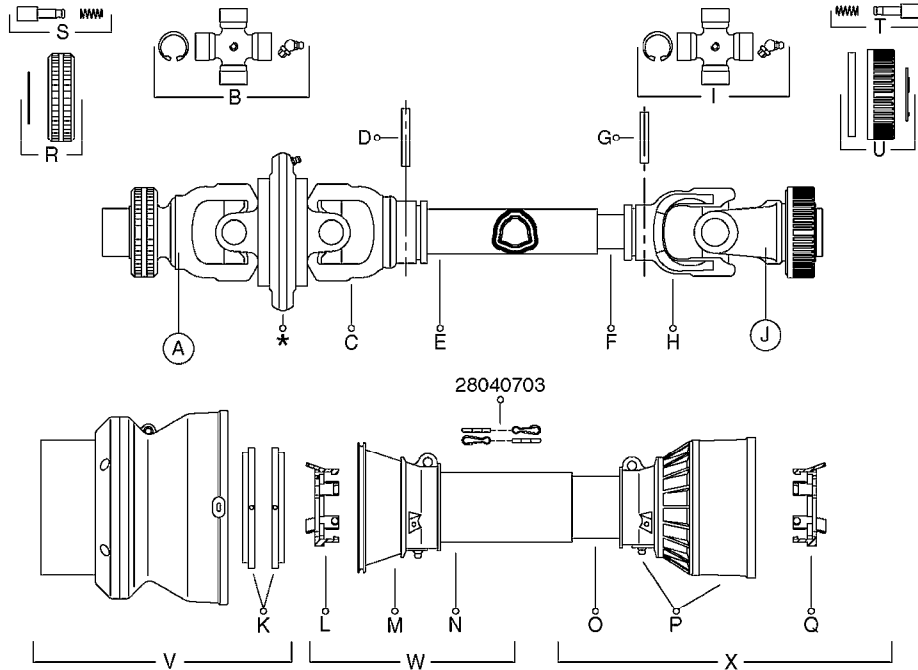
A0520



PTO SHAFTS - BONDIOLI CENT.
A0520-HIN, 19:05:16

Page 1
Date 04.11.2017 13:49

| parts-n° | order qty | description |
|----------|-----------|--|
| 289042 | 1 | UNIV. JOINT 22x54mm |
| 421024 | 1 | BOLT HEX 8.8 DEL M8X60 |
| 450015 | 1 | SCREW ALLAN 3/8'X5/8' BLACK |
| 460143 | 1 | NUT HEX M8X1.25 LOCK DIN985A2 SS |
| 28009803 | 1 | PTO PIN TUBE RETAINER OUTER |
| 28009903 | 1 | PTO TUBE RETAINER INNER |
| 28010103 | 1 | PTO YOKE F.INNER TUBE CV PTO |
| 28021403 | 1 | PTO 1"STR/1-3/8" 6SPL B&P |
| 28021503 | 1 | PTO 1"STR/1-3/8" 21SPL B&P |
| 28021603 | 1 | PTO 1"STR/1-3/4" 20SPL B&P |
| 28027903 | 1 | PTO BALL LOCK.KIT F.1-3/8 YOKE |
| 28040503 | 1 | UNIV. JOINT 27x74.6mm |
| 28040703 | 1 | SAFETY CHAIN F.CV BLACK PTO (SET OF 2) |
| 28041803 | 1 | DECAL DANGER GUARD MISSING |
| 28041903 | 1 | DECAL DANGER ROT.DRIVELINE |
| 28056703 | 1 | PTO YOKE #1 1-3/8" X 6 SPLINE |
| 28056803 | 1 | PTO YOKE #1 1-3/8" X 21 SPLINE |
| 28056903 | 1 | PTO YOKE #4 1-3/4" X 20 SPLINE |
| 28057003 | 1 | PTO TUBE YOKE #1-G1 OUTER |
| 28057103 | 1 | PTO TUBE YOKE #4-G4 OUTER |
| 28057203 | 1 | PTO PIN TUBE RETAINER OUTER |
| 28057303 | 1 | PTO TUBE OUTER #1 745MM |
| 28057403 | 1 | PTO TUBE OUTER #4 720MM |
| 28057503 | 1 | PTO TUBE INNER #1 745MM |
| 28057603 | 1 | PTO TUBE INNER #4 720MM |
| 28057703 | 1 | PTO TUBE RETAINER INNER |
| 28057803 | 1 | PTO TUBE YOKE #1 Ø=1" |
| 28057903 | 1 | PTO TUBE YOKE #4 Ø=1" |
| 28058003 | 1 | PTO HALF SAFETY SHIELD OUTER |
| 28058103 | 1 | PTO HALF SAFETY SHIELD OUTER |
| 28058203 | 1 | PTO HALF SAFETY SHIELD INNER |
| 28058303 | 1 | PTO HALF SAFETY SHIELD INNER |
| 28058403 | 1 | PTO BALL LOCK.KIT F.1-3/4 YOKE |
| 28058503 | 1 | PTO TUBE YOKE #1-G1 INNER |



* REPLACE THE ENTIRE PTO IF THIS PART IS DAMAGED

| PTO # | 10639503 | 10639603 | 10639703 | 829444 | 829478 | 829801 |
|-----------|---------------------|---------------------|---------------------|--------------------|---------------------|--------------------|
| TRACTOR | 1-3/8" 21-SPLINE | 1-3/4" 20-SPLINE | 1-3/4" 20-SPLINE | 1-3/8" 6-SPLINE | 1-3/8" 21-SPLINE | 1-3/8" 6-SPLINE |
| IMPLEMENT | 1-3/8" 21-SPLINE | 1-3/8" 21-SPLINE | 1-3/8" 21-SPLINE | 1-3/8" 6-SPLINE | 1-3/8" 21-SPLINE | 1-3/8" 6-SPLINE |
| LENGTH | 1210/1890 | 1210/1890 | 1210/1870 | 1210/1870 | 1210/1870 | 810/1203 |
| A | 28009503 | 28010903 | 28008403 | 10627803 | 28008803 | 10627803 |
| B | 28008903 | 28008903 | 10601203 | 10601203 | 10601203 | 10601203 |
| C | 28010803 | 28010803 | 10627203 | 10627203 | 10627203 | 10627203 |
| D | 28009803 | 28009803 | 10627103 | 10627103 | 10627103 | 10627103 |
| E | 28009003 | 28009003 | 10627003 | 10627003 | 10627003 | 10627003 |
| F | 28009103 | 28009103 | 10627303 | 28017803 | 10627303 | 10627303 |
| G | 28009903 | 28009903 | 10627403 | 10627403 | 10627403 | 10627403 |
| H | 28010103 | 28010103 | 10627503 | 10627503 | 10627503 | 10627503 |
| I | 28009403 | 28009403 | 284042 | 284042 | 284042 | 284042 |
| J | 28010203 | 28010203 | 28008603 | 28017903 | 28008603 | 28017903 |
| K | 28010003 | 28010003 | 10602203 | 10602203 | 10602203 | 10602203 |
| L | 28010403 | 28010403 | 10601703 | 10601703 | 10601703 | 10601703 |
| M | 28010503 | 28010503 | 10601803 | 10601803 | 28018003 | 10601803 |
| N | 28009203 | 28009203 | 10596103 | 10596103 | 10596103 | 10596103 |
| O | 28009303 | 28009303 | 10596203 | 10596203 | 10596203 | 10596203 |
| P | 28010603 | 28010603 | 10601903 | 10601903 | 10601903 | 10601903 |
| Q | 28010703 | 28010703 | 10602003 | 10602003 | 10602003 | 10602003 |
| R | 10628003 | 28008503 | 28008503 | 10628003 | 10628003 | 10628003 |
| S | 10627703 | 28017303 | 28017303 | 10627703 | 28018103 | 10627703 |
| T | 10627703 | 10627703 | 10627703 | 10627703 | 10627703 | 10627703 |
| U | 28009603 | 28009603 | 28008703 | XXXXXXXX | 28008703 | XXXXXXXX |
| V | 28010303 | 28010303 | 10602303 | 10602303 | 10602303 | 10602303 |
| W | 28017103 | 28017103 | 28017403 | 28017403 | 28017403 | 28017403 |
| X | 28017203 | 28017203 | 28017503 | 28017503 | 28017503 | 28017503 |

COMPLETE ASSEMBLIES
WHOLEGOODS ITEMS

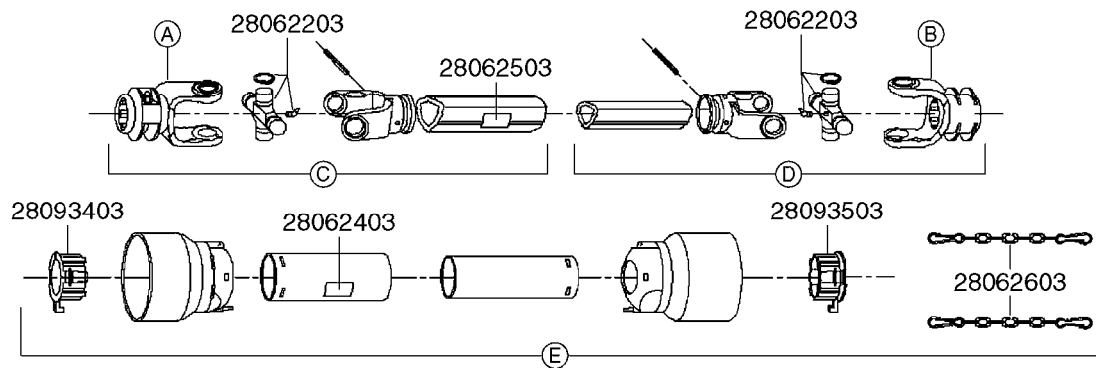
A0550



C.V.PTO SHAFTS YELLOW (PRE'05)
A0550-HIN, 01:01:16

Page 1
Date 04.11.2017 13:49

| parts-n° | order qty | description |
|----------|-----------|--|
| 284042 | 1 | UNIV. JOINT 30x92mm |
| 829444 | 1 | PTO 1-3/8/6X1-3/8/6x1210MM HAC |
| 829478 | 1 | PTO 1-3/8/21x1210 TF |
| 829801 | 1 | PTO 1-3/8/6 X 1-3/8/6 CV |
| 10596103 | 1 | PTO SHIELD OUTER 1000x82mm OD |
| 10596203 | 1 | PTO SHIELD INNER 1000x75mm OD |
| 10601203 | 1 | UNIV. JOINT 30.2x99.4mm TWIN |
| 10601703 | 1 | SHIELD BGR.F.OUTER TUBE CV TWI |
| 10601803 | 1 | SHIELD CONE F.OUTER TUBE CV |
| 10601903 | 1 | SHIELD CONE F.INNER TUBE CV TW |
| 10602003 | 1 | SHIELD BGR.F.INNER TUBE CV TWI |
| 10602203 | 1 | SHIELD RETAINER F.CV TWIN PTO |
| 10602303 | 1 | SHIELD CONE F.CV END TWIN |
| 10627003 | 1 | PTO TUBE OUTER F.CV PTO SHAFT |
| 10627103 | 1 | PTO PIN TUBE RETAINER CV OUTER |
| 10627203 | 1 | PTO YOKE OUTER F.CV PTO SHAFT |
| 10627303 | 1 | PTO TUBE INNER F.CV PTO SHAFT |
| 10627403 | 1 | PTO TUBE RETAINER CV INNER |
| 10627503 | 1 | PTO YOKE F.INNER TUBE CV PTO |
| 10627703 | 1 | PTO PIN KIT F. CV PTO SHAFT |
| 10627803 | 1 | PTO YOKE 1-3/8X6 SPL SLIP F.CV |
| 10628003 | 1 | PTO REPAIR KIT F.SLIP YOKE CV |
| 10639503 | 1 | PTO 1-3/8/21 alt 28035003 |
| 10639603 | 1 | PTO 1-3/4/20 alt 28035103 |
| 10639703 | 1 | PTO 1-3/4/20X1-3/8/21X1210 TF |
| 28008403 | 1 | PTO YOKE 1-3/4X20SPL SLIP F.CV |
| 28008503 | 1 | PTO REPAIR KIT 1-3/4"SLIP YOKE |
| 28008603 | 1 | PTO YOKE 1-3/8X21SPL |
| 28008703 | 1 | PTO REPAIR KIT 1-3/8"SLIP YOKE |
| 28008803 | 1 | PTO YOKE 1-3/8X21SPL SLIP F.CV |
| 28008903 | 1 | UNIV. JOINT 23.8x86 F.CV PTO |
| 28009003 | 1 | PTO TUBE OUTER F.CV 1060MM |
| 28009103 | 1 | PTO TUBE INNER F.CV 1060MM |
| 28009203 | 1 | PTO SHIELD OUTER 1007x67mm OD |
| 28009303 | 1 | PTO SHIELD INNER 1007x60mm OD |
| 28009403 | 1 | UNIV. JOINT 27x74.6mm |
| 28009503 | 1 | PTO YOKE 1-3/8X21SPL 28027703 |
| 28009603 | 1 | PTO REPAIR KIT 1-3/8"SLIP YOKE |
| 28009803 | 1 | PTO PIN TUBE RETAINER OUTER |
| 28009903 | 1 | PTO TUBE RETAINER INNER |
| 28010003 | 1 | SHIELD RETAINER F.CV TF PTO |
| 28010103 | 1 | PTO YOKE F.INNER TUBE CV PTO |
| 28010203 | 1 | PTO YOKE 1-3/8X21SPL |
| 28010303 | 1 | SHIELD CONE F.CV END TF |
| 28010403 | 1 | SHIELD BGR.F.OUTER TUBE CV TF |
| 28010503 | 1 | SHIELD CONE F.OUTER TUBE CV TF |
| 28010603 | 1 | SHIELD CONE F.INNER TUBE CV TF |
| 28010703 | 1 | SHIELD BGR.F.INNER TUBE CV TF |
| 28010803 | 1 | PTO YOKE INNER F.CV PTO SHAFT |
| 28010903 | 1 | PTO YOKE 1-3/4X20SPL SLIP F.CV |
| 28017103 | 1 | PTO HALF SAFETY SHIELD |
| 28017203 | 1 | PTO HALF SAFETY SHIELD |
| 28017303 | 1 | PTO PIN KIT F. CV PTO SHAFT |
| 28017403 | 1 | PTO HALF SAFETY SHIELD |
| 28017503 | 1 | PTO HALF SAFETY SHIELD |
| 28017803 | 1 | PTO TUBE INNER F.CV |
| 28017903 | 1 | PTO YOKE 1-3/8X6SPL |
| 28018103 | 1 | PTO PIN KIT F. CV PTO SHAFT |
| 28040703 | 1 | SAFETY CHAIN F.CV BLACK PTO (SET OF 2) |



| PTO # | 829482 | 829483 | 829484 | 829487 |
|-----------|-----------------|-----------------|-----------------|-----------------|
| TRACTOR | 1-3/8" 6 SPLINE | 1-3/8" 6 SPLINE | 1-3/8" 6 SPLINE | 1-3/8" 6 SPLINE |
| IMPLEMENT | 25 mm | 30 mm | 1-3/8" 6 SPLINE | 1-3/8" 6 SPLINE |
| LENGTH | 610/800 | 610/800 | 610/800 | 860/1050 |
| A | 28062103 | 28062103 | 28062103 | 28062103 |
| B | 28062303 | 28063003 | 28062103 | 28062103 |
| C | 28062703 | 28062703 | 28062703 | 28063403 |
| D | 28062803 | 28063103 | 28063203 | 28063503 |
| E | 28062903 | 28062903 | 28062903 | 28063303 |

Note: For "Bondioli" PTO's (previous supplier) - see page A0510.

COMPLETE ASSEMBLIES
WHOLEGOOD ITEMS

A0580

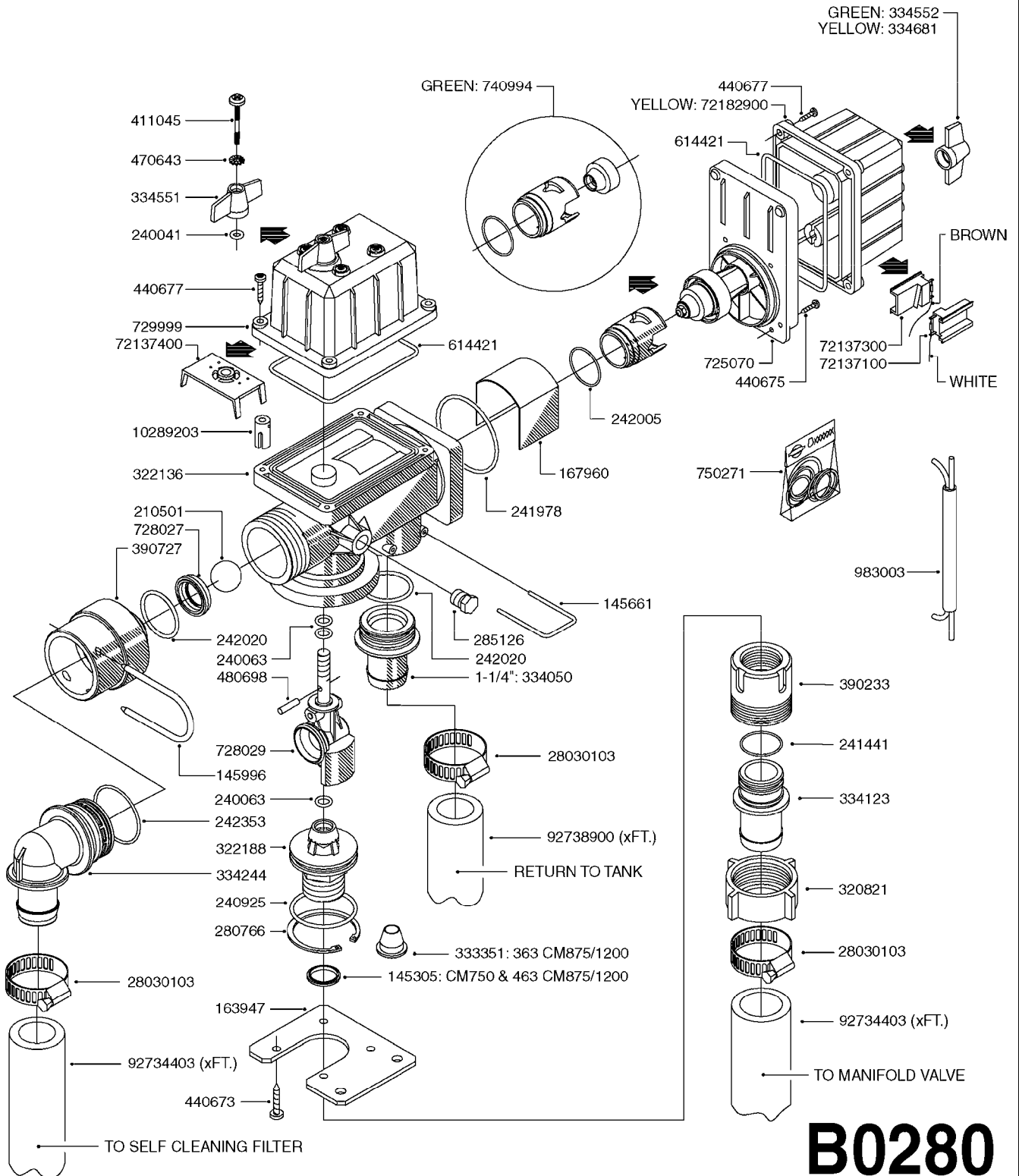


PTO SHAFTS - AMA DIAPHRAGM
A0580-HIN, 01:01:16

Page 1

Date 04.11.2017 13:49

| parts-n° | order qty | description |
|----------|-----------|-------------------------------|
| 829482 | 1 | PTO 1-3/8/6X25MM X 600MM 1202 |
| 829483 | 1 | PTO 1-3/8/6X30MM x 610MM 1302 |
| 829484 | 1 | PTO 1-3/8/6X1-3/8/6X575MM 361 |
| 829487 | 1 | PTO 1-3/8/6X1-3/8/6X870MM 361 |
| 28062103 | 1 | PTO YOKE 1-3/8X6 AMA |
| 28062203 | 1 | UNIV.JOINT CAT.1 AMA |
| 28062303 | 1 | PTO YOKE D25 AMA |
| 28062403 | 1 | DECAL - DANGER ROTATING SHAFT |
| 28062503 | 1 | DECAL - DANGER MISSING GUARD |
| 28062603 | 1 | SAFETY CHAIN F.PTO AMA |
| 28062703 | 1 | PTO OUTER 1-3/8X6 (NO SHIELD) |
| 28062803 | 1 | PTO INNER D25 (NO SHIELD) |
| 28062903 | 1 | PTO SHIELD COMPLETE |
| 28063003 | 1 | PTO YOKE D30 AMA |
| 28063103 | 1 | PTO INNER D30 (NO SHIELD) |
| 28063203 | 1 | PTO INNER 1-3/8X6 (NO SHIELD) |
| 28063303 | 1 | PTO SHIELD COMPLETE |
| 28063403 | 1 | PTO OUTER 1-3/8X6 (NO SHIELD) |
| 28063503 | 1 | PTO INNER 1-3/8X6 (NO SHIELD) |
| 28093403 | 1 | PTO OUTER TUBE BEARING AMA |
| 28093503 | 1 | PTO INNER TUBE BEARING AMA |



B0280

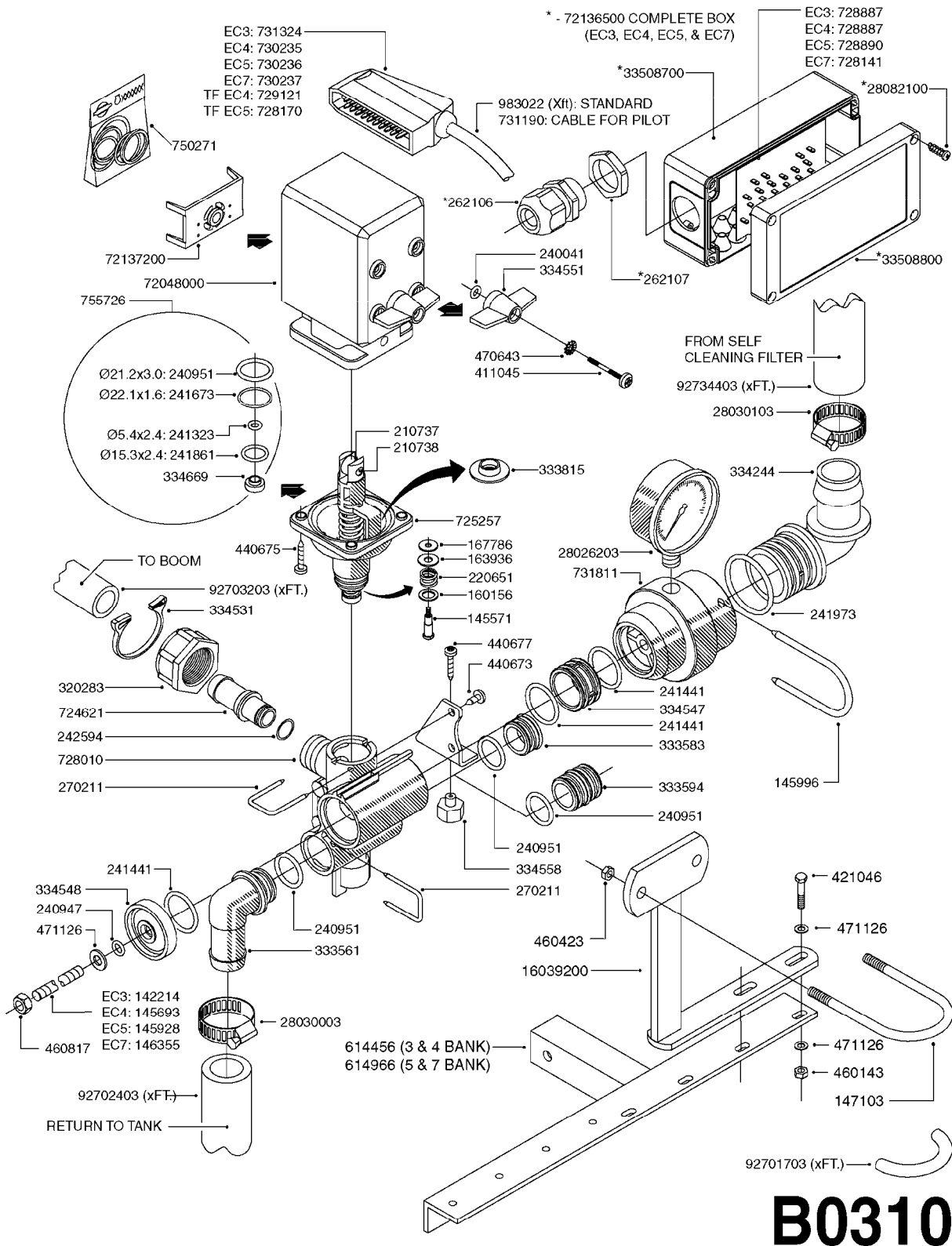


EC MASTER VALVE - CM
B0280-HIN, 01:01:16

Page 1

Date 04.11.2017 13:49

| parts-n° | order qty | description |
|----------|-----------|---------------------------------|
| 145305 | 1 | NOZZLE F.OP.UNIT PUMP 462 |
| 145661 | 1 | FITT.DK S-61 FORK |
| 145996 | 1 | FITT.DK S-67 FORK |
| 163947 | 1 | FITTING FOR BK 180 |
| 167960 | 1 | WEAR SHIELD EC CONTROL |
| 210501 | 1 | BALL PLASTIC D25 |
| 240041 | 1 | O-RING D15,1/10,3 X 2,4 |
| 240063 | 1 | O-RING D14.1/9.3 X 2.4 |
| 240925 | 1 | O-RING D49.5X3 NITRIL |
| 241441 | 1 | O-RING D29.3X3 |
| 241978 | 1 | O-RING 64.5X3.0 |
| 242005 | 1 | O-RING D32.1X1.6 NITRIL |
| 242020 | 1 | O-RING 39.2 X 3 VITON |
| 242353 | 1 | O-RING D44.2X3.0 VITON F.S-67 |
| 280766 | 1 | SNAP-RING INNER 55X2 DIN 472 |
| 285126 | 1 | PLUG 1/4'BSP PLASTIC |
| 320821 | 1 | FITT.DK NUT 1-1/2" BSP |
| 322136 | 1 | HOUSING F.OPERATING UNIT EC |
| 322188 | 1 | BOTTOM PIECE F.BALL EC |
| 333351 | 1 | NOZZ.RESTRICTOR 361 BLACK |
| 334050 | 1 | FITT.DK S-61 STR.1-1/4" |
| 334123 | 1 | FITT.DK HB 1-1/4"O-RNG F.1-1/2" |
| 334244 | 1 | HOSE TAIL 90° S67 1"1/4 |
| 334551 | 1 | GRIP F.MAN.OP.EC ON/OFF GREEN |
| 334552 | 1 | GRIP F.MAN.OP.EC PRES.REG.GREE |
| 334681 | 1 | GRIP F.MAN.OP.EC PRES.REG.YELL |
| 390233 | 1 | FITT.DK REDUC 1-1/2" X 1" BSP |
| 390727 | 1 | FITT.DK ADAPTOR S67 1-1/2'BSP |
| 411045 | 1 | SCREW M4 X 16MM STAINLESS |
| 440673 | 1 | SCREW F.PLASTIC 5X12 SS |
| 440675 | 1 | SCREW F. PLASTIC 5X16 SS |
| 440677 | 1 | SCREW F. PLASTIC 5X20 SS |
| 470643 | 1 | WASHER LOCK |
| 480698 | 1 | PIN M5X16 SLOTTED |
| 614421 | 1 | GASKET F/MOTOR HOUSE-ON/OFF TR |
| 725070 | 1 | BRKT.PLATE F/PRES. 70068303 |
| 728027 | 1 | BUSHING WITH SEAT |
| 728029 | 1 | HOUSING F.BALL MOUNT EC |
| 729999 | 1 | MOTOR UNIT F. ON/OFF EC CM |
| 740994 | 1 | PRESS REG.CONE&CYL. STD RATE |
| 750271 | 1 | O-RING KIT F.EC/4 CONTROL UNIT |
| 983003 | 1 | CABLE ELEC.2X1MM WIRE BLACK EC |
| 10289203 | 1 | COUPLER FOR EC ELEC.CONTROL |
| 28030103 | 1 | CLAMP HOSE GEAR P5/4-S1.5"6724 |
| 72137100 | 1 | MCROSWCH ASSY F.PRSR REG WHT W |
| 72137300 | 1 | MCROSWCH ASSY F.PRSR REG BRN W |
| 72137400 | 1 | MCROSWCH ASSY F. ON/OFF VLV |
| 72182900 | 1 | MOTER REG.DME37 1:150 AMP YELL |
| 92734403 | 1 | HOSE R X5/4" X200PSI WP X0012" |
| 92738900 | 1 | HOSE R X PVC X 1-1/4" 0012" |





EC BOOM VALVES CM GREEN GRIPS
B0310-HIN, 01:01:16

Page 1
Date 04.11.2017 13:49

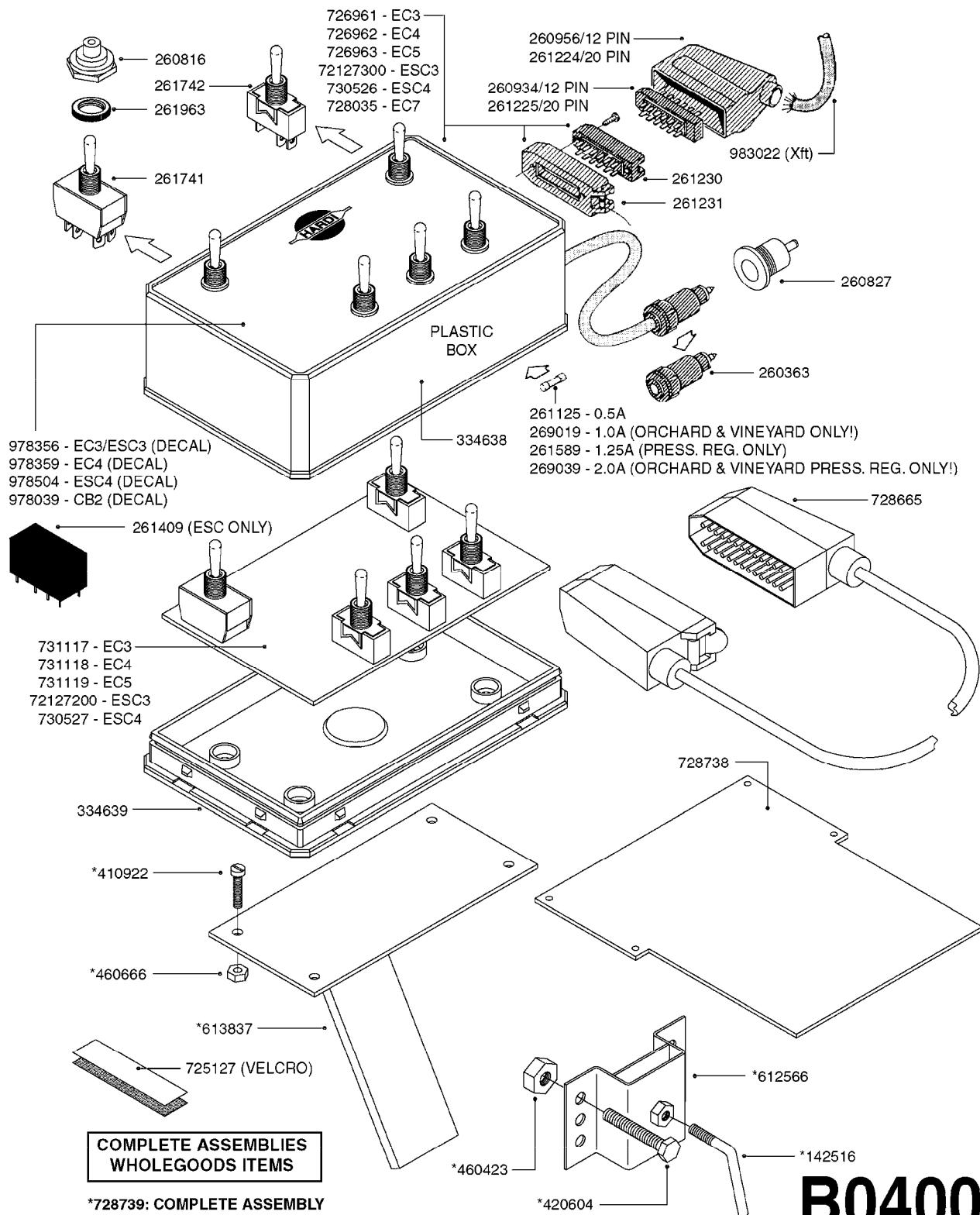
| parts-n° | order qty | description |
|----------|-----------|-----------------------------------|
| 142214 | 1 | STUD BOLT - M8X265, 3 SECTION |
| 145571 | 1 | STUD BOLT F/PNEUM. DISTRIBUTOR |
| 145693 | 1 | STUD BOLT - M8X330, 4 SECTION |
| 145928 | 1 | STUD BOLT - M8X400, 5 SECTION |
| 145996 | 1 | FITT.DK S-67 FORK |
| 146355 | 1 | STUD BOLT - M8X540, 7 SECTION |
| 147103 | 1 | U-BOLT F. 2' HOSE |
| 160156 | 1 | WASHER D14.1/D9.2X1 SS |
| 163936 | 1 | WASHER D15/D6.2X1 |
| 167786 | 1 | WASHER D13/D4.2X1 |
| 210737 | 1 | BEARING BALL D7 RSTO 5 TN |
| 210738 | 1 | PIN Ø7 L16 |
| 220651 | 1 | SPRING PRESSURE D12.5/5 |
| 240041 | 1 | O-RING D15,1/10,3 X 2,4 |
| 240947 | 1 | O-RING D7.3X2.4 NITRIL |
| 240951 | 1 | O-RING D21.2X3 NITRIL |
| 241323 | 1 | O-RING D5.3X2.4 NITRIL |
| 241441 | 1 | O-RING D29.3X3 |
| 241673 | 1 | O-RING D22.1X1.6 |
| 241861 | 1 | O-RING D15.3X2.4 VITON |
| 241973 | 1 | O-RING Ø3 X 44,2 70 SHORES NITRIL |
| 242594 | 1 | O-RING D14 X 1.78 SCH.70-EPDM |
| 262106 | 1 | BULKHEAD F. CABLE 6.5-14 BLACK |
| 262107 | 1 | NUT F. BULKHEAD CABLE BLACK |
| 270211 | 1 | FITT.DK S25 FORK L=37.5 |
| 320283 | 1 | FITT.DK NUT 3/4"BSP |
| 333561 | 1 | FITT.DK ELB.1" EC RETURN |
| 333583 | 1 | END PIECE FOR BYPASS |
| 333594 | 1 | CONNECTING PIECE F. BYPASS |
| 333815 | 1 | DISTANCE RING |
| 334244 | 1 | HOSE TAIL 90° S67 1"1/4 |
| 334531 | 1 | CLAMP HOSE PLASTIC 3/4" |
| 334547 | 1 | CONNECTING PIECE F. PRESSURE |
| 334548 | 1 | END COVER |
| 334551 | 1 | GRIP F.MAN.OP.EC ON/OFF GREEN |
| 334558 | 1 | NUT HEX PLASTIC INSERT |
| 334669 | 1 | VALVE CONE D14/D7-SH 63 WHITE |
| 411045 | 1 | SCREW M4 X 16MM STAINLESS |
| 421046 | 1 | SCREW HEX M8X25/25 A2 SS DIN933 |
| 440673 | 1 | SCREW F.PLASTIC 5X12 SS |
| 440675 | 1 | SCREW F. PLASTIC 5X16 SS |
| 440677 | 1 | SCREW F. PLASTIC 5X20 SS |
| 460143 | 1 | NUT HEX M8X1.25 LOCK DIN985A2 SS |
| 460423 | 1 | NUT HEX M10X1.50 LOCK DIN985A2 SS |
| 460817 | 1 | NUT HEX M8 STAINLESS DIN 934 |
| 470643 | 1 | WASHER LOCK |
| 471126 | 1 | WASHER, M8, Ø16/ 8.4X 1.6, SS |
| 614456 | 1 | BRACKET F.EC 3&4 BANK VALVES |
| 614966 | 1 | BRACKET F.EC 7 BANK VALVES |
| 724621 | 1 | FITT.DK HB 3/4"ASSY F.3/4" NUT |
| 725257 | 1 | SPINDLE SECT. F/EC DISTRIBUTOR |
| 728010 | 1 | DISTRIB HOUSING W/CONST PR GRN |
| 728141 | 1 | CIRCUIT BOARD F.EC7 CONN. BOX |
| 728170 | 1 | CABLE F.CONTRL BOX EC5 L=14000 |
| 728887 | 1 | CIRCUIT BOARD EC CONTROL |
| 728890 | 1 | CIRCUIT BOARD 5 SECTION EC |
| 729121 | 1 | CABLE F.CONTROL BOX EC4 L=1400 |
| 730235 | 1 | CABLE F.CONTRL BOX EC4 L=11500 |
| 730236 | 1 | CABLE F.CONTRL BOX EC5 L=11500 |
| 730237 | 1 | CABLE EC7 L=11500MM |
| 731190 | 1 | CABLE F.CONTROL PILOT EC3/4 CM |



EC BOOM VALVES CM GREEN GRIPS
B0310-HIN, 01:01:16

Page 2
Date 04.11.2017 13:49

| parts-n° | order qty | description |
|----------|-----------|-----------------------------------|
| 731324 | 1 | CABLE F.CONTRL BOX EC3 L=11500 |
| 731811 | 1 | FITT.DK ADAPTOR S67 EC BOOM SE |
| 750271 | 1 | O-RING KIT F.EC/4 CONTROL UNIT |
| 755726 | 1 | O-RING KIT F.EC/ESC SEC.VALVE |
| 983022 | 1 | WIRE 12 x 0.5 x 2MM x 12" |
| 16039200 | 1 | BRACKET F. PRESSURE HOSE S.V. |
| 28026203 | 1 | GAUGE 200PSI/BR,2.5"1/4BSP-BTM |
| 28030003 | 1 | CLAMP HOSE GEAR P1" 6716 |
| 28030103 | 1 | CLAMP HOSE GEAR P5/4-S1.5"6724 |
| 28082100 | 1 | SCREW F. BOX LID 1/4" L=20 |
| 33508700 | 1 | BOX BOTTOM 160X80X40 BLACK 1-HOLE |
| 33508800 | 1 | LID 160X80X15 BLK W/SCREWS |
| 72048000 | 1 | MOTOR, DISTRIBUTION 1:300 |
| 72136500 | 1 | UNIV. CONNECTION BOX F. EC |
| 72137200 | 1 | MCROSWCH ASSY F.Boom VLV 300:1 |
| 92701703 | 1 | HOSE R X3/8" X300PSI WP X0012" |
| 92702403 | 1 | HOSE PVC SUCT GRAY 1" |
| 92703203 | 1 | HOSE R X3/4" X300PSI WP X0012" |
| 92734403 | 1 | HOSE R X5/4" X200PSI WP X0012" |



COMPLETE ASSEMBLIES
WHOLEGOODS ITEMS

*728739: COMPLETE ASSEMBLY

B0400



CONTROL BOX F/EC + ECSC POST96
B0400-HIN, 01:01:16

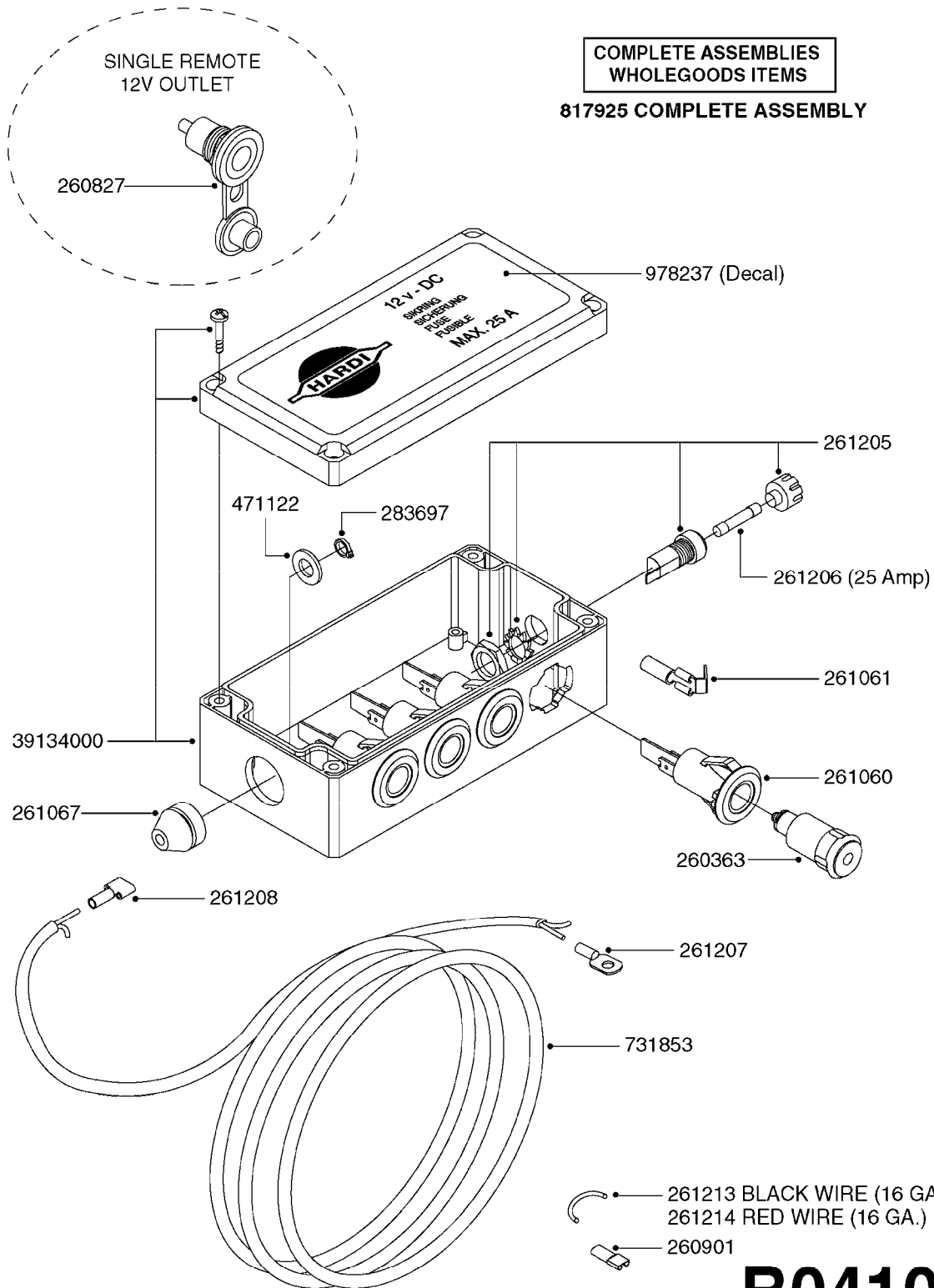
Page 1
Date 04.11.2017 13:49

| parts-n° | order qty | description |
|----------|-----------|-----------------------------------|
| 142516 | 1 | SCREW SET M10 BENT F. LOCKING |
| 260363 | 1 | PLUG 2 POLE 12V |
| 260816 | 1 | CAP W/RUBBER BOOT F.EC SWITCH |
| 260827 | 1 | PLUG F.EC ATTACHMENTS |
| 260934 | 1 | PLUG INSERT 12 POLE MALE |
| 260956 | 1 | PLUG HOUSE 12 POL.MALE |
| 261125 | 1 | FUSE 5 X 20 500mA |
| 261224 | 1 | PLUG HOUSING F/20 POLE MALE |
| 261225 | 1 | PLUG INSERT 20 POLE MALE |
| 261230 | 1 | PLUG INSERT 20 POLE FEMALE |
| 261231 | 1 | PLUG HOUSING 20 POLE FEMALE |
| 261409 | 1 | RELAY 12V F. ESC CNTRL BOX '96 |
| 261589 | 1 | FUSE 5 X 20 1.25 AMP |
| 261741 | 1 | SWITCH 2 POLE 12V TOGGLE PRESS |
| 261742 | 1 | SWITCH 2 POLE 12V ON/OFF |
| 261963 | 1 | NUT F.EC SWITCH |
| 269019 | 1 | FUSE 5 X 20 1.0 AMP |
| 269039 | 1 | FUSE 5 X 20 2.0 AMP |
| 334638 | 1 | HOUSING F.EC PLASTIC BOX UPPER |
| 334639 | 1 | COVER F.EC PLASTIC BOX -LOWER |
| 410922 | 1 | CYL.SKR 8.8 DEL M4X20 RST |
| 420604 | 1 | BOLT HEX 8.8 DEL M10X25 FT DIN933 |
| 460423 | 1 | NUT HEX M10X1.50 LOCK DIN985A2 SS |
| 460666 | 1 | NUT HEX M4 |
| 612566 | 1 | MOUNT BRACKET F.FAN CABLE ASSY |
| 613837 | 1 | MOUNT PLATE FOR EC CONTROL BOX |
| 725127 | 1 | VELCRO KIT |
| 726961 | 1 | CONTROL BOX EC 3 SEC./20 PIN |
| 726962 | 1 | CONTROL BOX EC 4 SEC./20 PIN |
| 726963 | 1 | CONTROL BOX EC 5 SEC./20 PIN |
| 728035 | 1 | CONTROL BOX EC 7 SEC. |
| 728665 | 1 | CABLE EXT.-QUICK ATTACH 20 PIN |
| 728738 | 1 | DOUB.CONT.BOX & OR F/M PLATE |
| 728739 | 1 | IN CAB CONTROL MOUNT KIT |
| 730526 | 1 | CON BX 4SEC/20PIN alt72127400 |
| 730527 | 1 | CIRCUIT B.ESC4 PLAST.W/SWITCH |
| 731117 | 1 | CIRCUIT B.EC3 PLASTIC W/SWITCH |
| 731118 | 1 | CIRCUIT B.EC4 PLASTIC W/SWITCH |
| 731119 | 1 | CIRCUIT B.EC5 PLASTIC W/SWITCH |
| 978039 | 1 | DECAL CONTROL BOX CB4 MISTBLOW |
| 978356 | 1 | DECAL CONTRL BOX EVC/ESC3 ABS |
| 978359 | 1 | DECAL CONTROL BOX EC4 ABS |
| 978504 | 1 | DECAL CONTROL BOX ESC4 ABS |
| 983022 | 1 | WIRE 12 x 0.5 x 2MM x 12" |
| 72127200 | 1 | CIRCUIT B.ESC3 PLAST.W/SWITCH |
| 72127300 | 1 | CONTROL BOX ESC 3 SEC./20 PIN |



12 VOLT OUTLET BOX
B0410-HIN, 01:01:16

Page 0
Date 04.11.2017 13:49



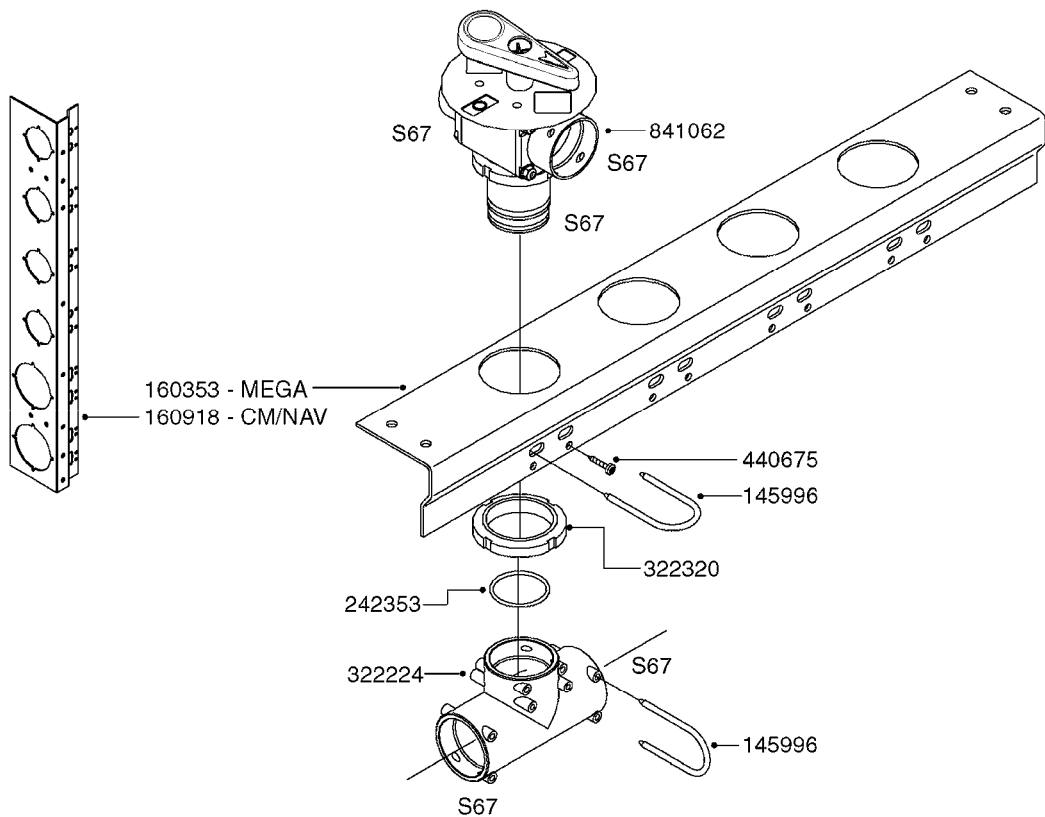
B0410



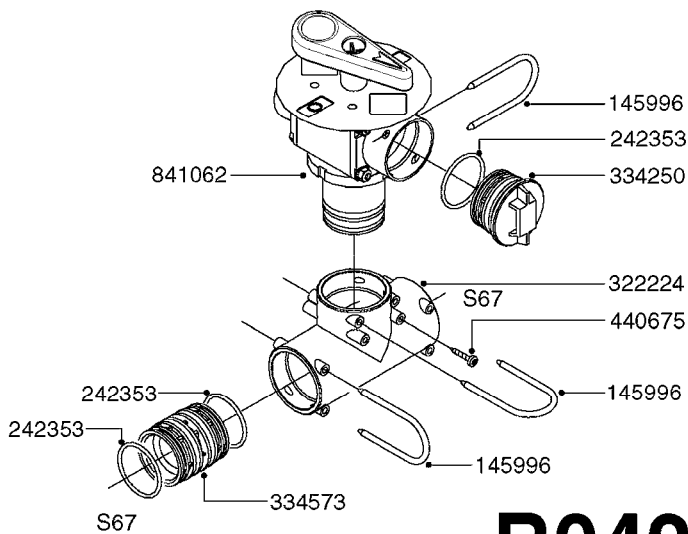
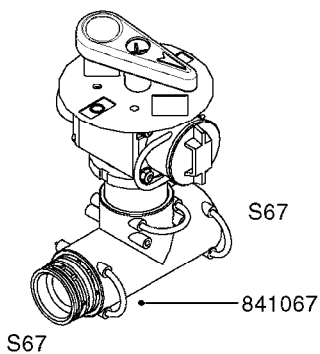
12 VOLT OUTLET BOX
B0410-HIN, 01:01:16

Page 1
Date 04.11.2017 13:49

| parts-n° | order qty | description |
|----------|-----------|--------------------------------|
| 260363 | 1 | PLUG 2 POLE 12V |
| 260827 | 1 | PLUG F.EC ATTACHMENTS |
| 260901 | 1 | SPADE F.ELEC CONN.1.5MM BLUE |
| 261060 | 1 | PLUG F.EC ATTACHMENTS |
| 261061 | 1 | SPADE F.ELEC.2 WAY CONNECTOR |
| 261067 | 1 | GROMMET 10-14 GREY |
| 261205 | 1 | FUSE HOLDER |
| 261206 | 1 | FUSE 25 A |
| 261207 | 1 | ELECTRIC CONNECTOR 4MM |
| 261208 | 1 | SPADE F.ELEC.CONNECTOR 4MM |
| 261213 | 1 | WIRE 6.4MM BLACK |
| 261214 | 1 | WIRE 6.4MM RED |
| 283697 | 1 | TIESTRAP 200MM |
| 471122 | 1 | WASHER, M10, Ø20/10.5X 2.0, SS |
| 731853 | 1 | CABLE 2X4MM L=138" |
| 817925 | 1 | OUTLET BOX 12 VOLT ELEC. |
| 978237 | 1 | DECAL OUTLET BOX |
| 39134000 | 1 | BOX, COMPLETE, 12V POWER BOX |



FOR S67 FITTINGS
SEE PAGE L0100



B0420

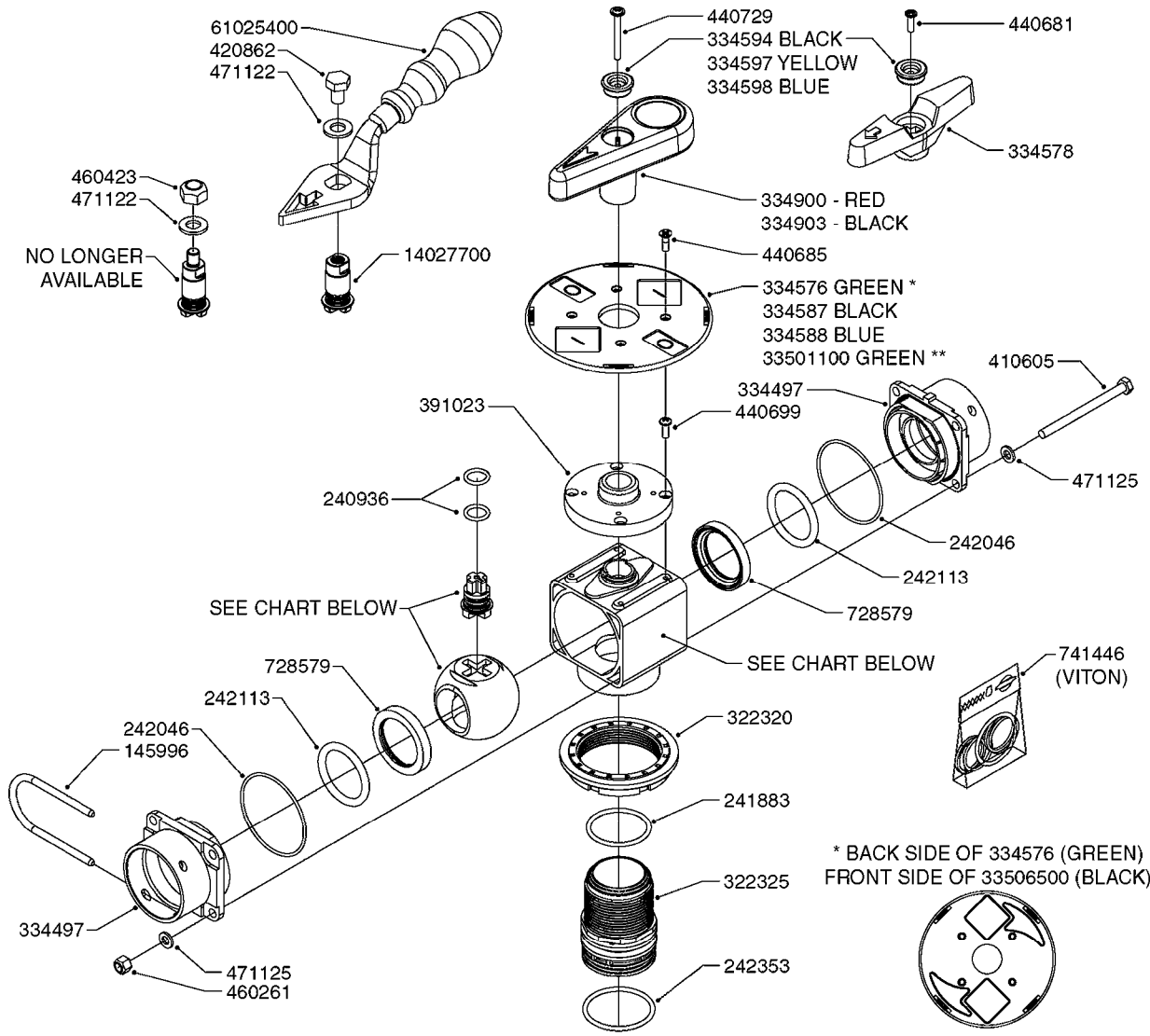


MANIFOLD SYSTEM - PRESSURE
B0420-HIN, 01:01:16

Page 1

Date 04.11.2017 13:49

| parts-n° | order qty | description |
|----------|-----------|--------------------------------|
| 145996 | 1 | FITT.DK S-67 FORK |
| 160353 | 1 | BRACKET F.PRESSURE MANIFOLD |
| 160918 | 1 | BRACKET F. MANIFOLD CM |
| 242353 | 1 | O-RING D44.2X3.0 VITON F.S-67 |
| 322224 | 1 | FITT.DK S-67 TEE |
| 322320 | 1 | NUT F.3 WAY VALVE S56 |
| 334250 | 1 | STOPPER S67 |
| 334573 | 1 | CONNECTING PIECE S67-S67 |
| 440675 | 1 | SCREW F. PLASTIC 5X16 SS |
| 841062 | 1 | VALVE KIT S67 PRESS. MANIFOLD |
| 841067 | 1 | VALVE S67 PRESS.W/TEE MANIFOLD |



| | | | | | | |
|----------|--------|----------|--------|--------|--------|----------|
| | | | | | - | |
| 728391 | 334594 | 334576 | 390204 | 390623 | - | 334600 |
| 728393 | 334598 | 334588 | 390238 | 390251 | - | 334600 |
| 728945 | 334597 | - | 390262 | 390777 | - | 334600 |
| 729796 | 334594 | 334587 | 390204 | 390623 | - | 334600 |
| 840062 | 334594 | 334576 | 391180 | 390623 | - | 334600 |
| 841062 | 334594 | 334576 | 390204 | 390623 | - | 334600 |
| 72172100 | - | 33501100 | 391039 | 390623 | 391023 | 14027700 |
| 72172200 | - | - | 391039 | 390623 | - | 334600 |
| 72283600 | 334594 | 33506500 | 391180 | 390623 | 391023 | 334600 |
| 72292500 | - | - | 391180 | 390623 | - | 14027700 |
| 72538000 | - | - | 391039 | 390623 | 391023 | 14075700 |
| 72691600 | 334594 | 334587 | 390262 | 390623 | - | 334600 |

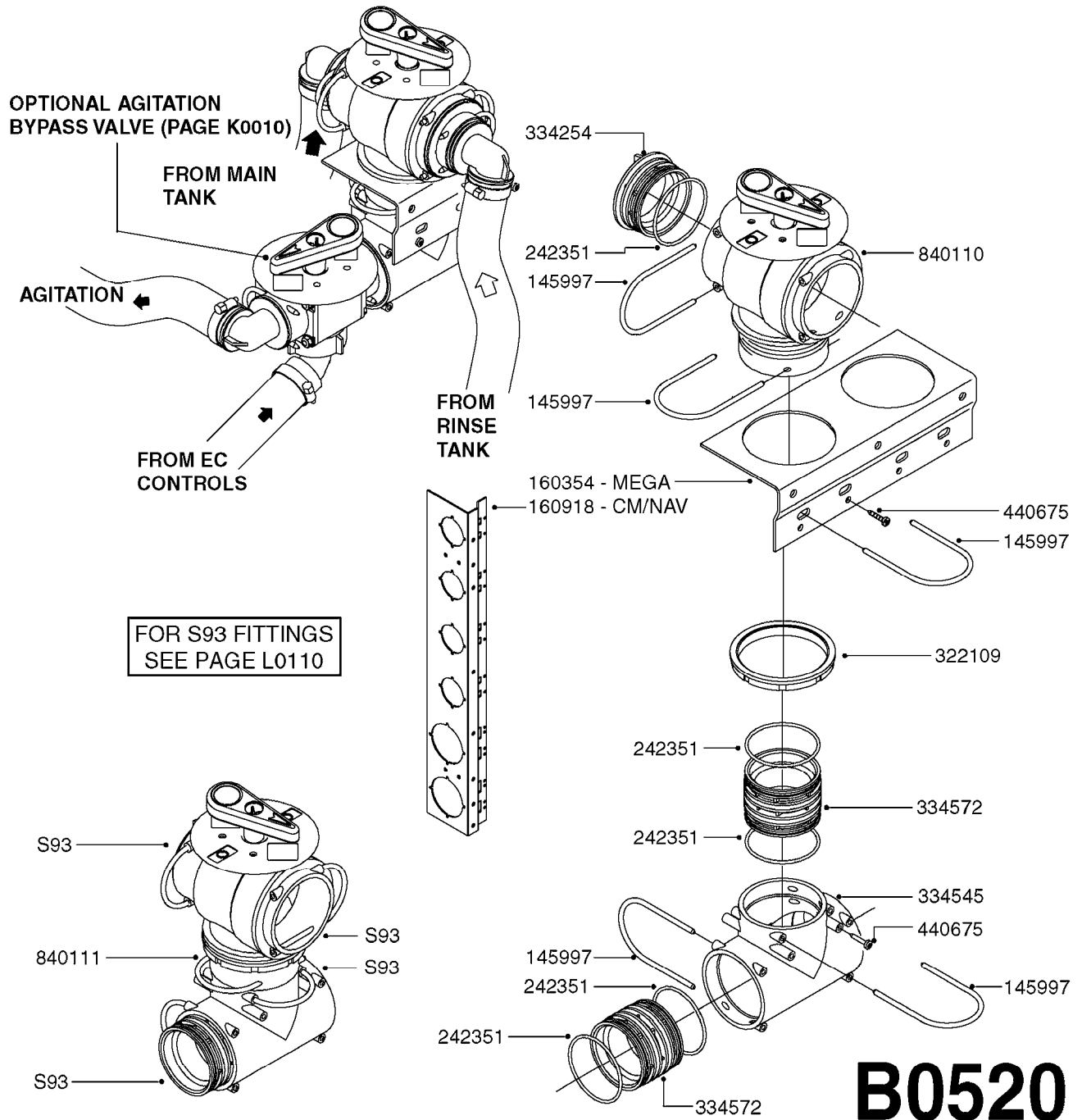
B0430



MANIFOLD - S67 VALVE
B0430-HIN, 01:01:16

Page 1
Date 04.11.2017 13:49

| parts-n° | order qty | description |
|----------|-----------|-----------------------------------|
| 145996 | 1 | FITT.DK S-67 FORK |
| 240936 | 1 | O-RING D13.3X2.4 NITRIL |
| 241883 | 1 | O-RING D39.2X3 NITRIL 242020 |
| 242046 | 1 | O-RING D60X2 |
| 242113 | 1 | O-RING D37.5X5.3 VITON |
| 242353 | 1 | O-RING D44.2X3.0 VITON F.S-67 |
| 322320 | 1 | NUT F.3 WAY VALVE S56 |
| 322325 | 1 | FITT.DK S-67 X 1-1/2"BSP LONG |
| 334497 | 1 | END COVER 3 WAY VALVE S-67 |
| 334576 | 1 | FACE PLATE F. BALL VALVE GREEN |
| 334578 | 1 | HANDLE FOR VALVE 'OLD' STYLE |
| 334587 | 1 | FACE PLATE F.BALL VALVE BLACK |
| 334588 | 1 | FACE PLATE F. BALL VALVE BLUE |
| 334594 | 1 | PLUG F.VALVE HANDLE BLACK |
| 334597 | 1 | PLUG F.VALVE HANDLE YELLOW |
| 334598 | 1 | PLUG F.VALVE HANDLE BLUE |
| 334600 | 1 | SPINDLE F.3 WAY VALVE |
| 334900 | 1 | HANDLE F.3 WAY VALVE TALL '00 |
| 334903 | 1 | HANDLE S67/93 VALVE BLACK |
| 390204 | 1 | BALL F. 3 WAY SUCTION VALVE |
| 390238 | 1 | BALL F. 3 WAY PRESSURE VALVE |
| 390251 | 1 | MOTOR HOUSING F. 3-WAY VALVE |
| 390262 | 1 | BALL F. 2 WAY VALVE |
| 390623 | 1 | HOUSING F.3 WAY VALVE |
| 390777 | 1 | HOUSING F.BALL VALVE 3 WAY |
| 391023 | 1 | SMART VALVE MOUNTING BRACKET |
| 391039 | 1 | BALL F. S67 SMART VALVE |
| 391180 | 1 | BALL F. AGITATOR S67 ARE 268 |
| 410605 | 1 | BOLT HEX 8.8 DEL M6X80 |
| 420862 | 1 | BOLT HEX 8.8 DEL M10X16 FT |
| 440681 | 1 | SCREW F. PLASTIC 4MM X 14LG SS |
| 440685 | 1 | SCREW F.PLASTIC 4X14 SS C-SUNK |
| 440699 | 1 | SCREW F. PLASTIC 4MMM X12LG SS |
| 440729 | 1 | SCREW F. PLASTIC 4MM X40LG SS |
| 460261 | 1 | NUT HEX M6X1.00 LOCK DIN985 A2 SS |
| 460423 | 1 | NUT HEX M10X1.50 LOCK DIN985A2 SS |
| 471122 | 1 | WASHER, M10, Ø20/10.5X 2.0, SS |
| 471125 | 1 | WASHER M6U 6.4X14X1.2,A2 SS |
| 728391 | 1 | VALVE S67 PRESSURE MANIFOLD |
| 728393 | 1 | VALVE 3 WAY F.AGITAT.SHUTOFF |
| 728579 | 1 | SEAL F BALL |
| 728945 | 1 | VALVE 2-WAY YELLOW W.S-67 ENDS |
| 729796 | 1 | VALVE S-67 MANUAL D33 J-D |
| 741446 | 1 | REPAIR KIT F.S67 VALVE - VITON |
| 840062 | 1 | VALVE S67 PRESSURE AGITATION |
| 841062 | 1 | VALVE KIT S67 PRESS. MANIFOLD |
| 14027700 | 1 | SPINDLE F.SMART VALVE S67 L=36 |
| 14075700 | 1 | SPINDLE F.SMART VALVE S67 L=81 |
| 33501100 | 1 | FACE PLATE F.SMART VALVE GREEN |
| 33506500 | 1 | FACE PLATE F.BALL VALVE BLACK |
| 61025400 | 1 | HANDLE SMART VALVE |
| 72172100 | 1 | VALVE S67 "V1" SMART VALVE |
| 72172200 | 1 | VALVE S67 "V2" SMART VALVE |
| 72283600 | 1 | VALVE S67 AGITATION NCM |
| 72292500 | 1 | VALVE S67 SMART VALVE NEW NAV |
| 72538000 | 1 | VALVE S67, LONG SPINDLE |
| 72691600 | 1 | VALVE, S67, 2-WAY F. FILLER |





MANIFOLD SYSTEM - SUCTION
B0520-HIN, 01:01:16

Page 1

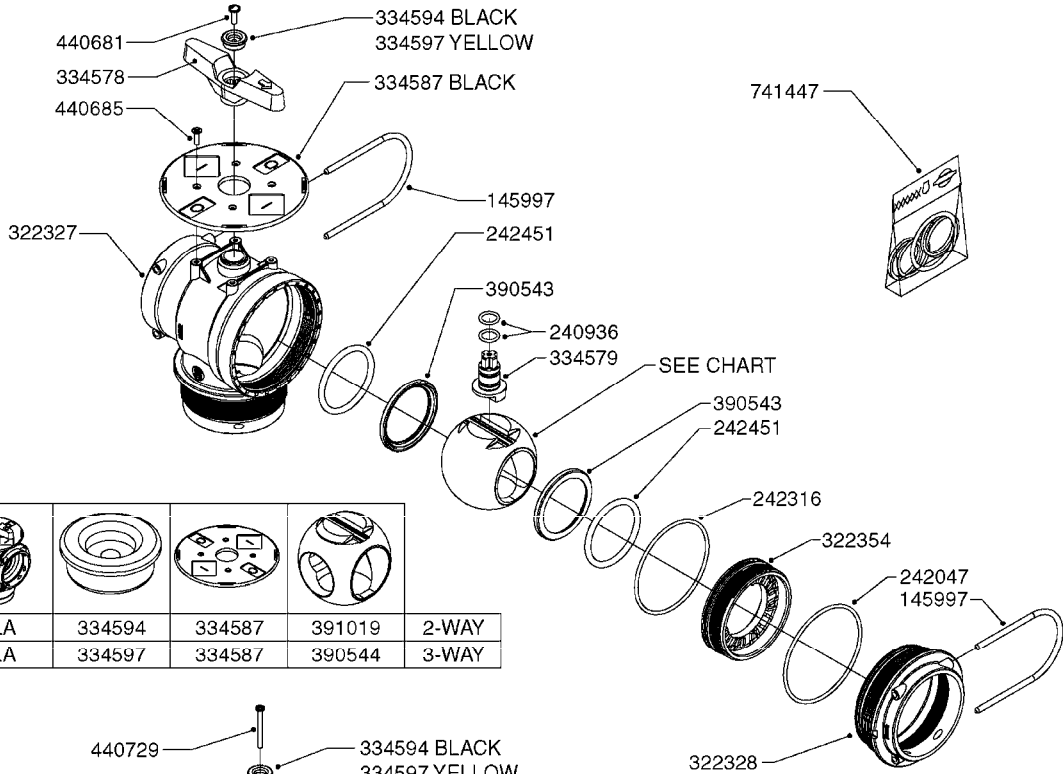
Date 04.11.2017 13:49

| parts-n° | order qty | description |
|----------|-----------|--------------------------------|
| 145997 | 1 | FITT.DK S-93 FORK |
| 160354 | 1 | BRACKET F.SUCTION MANIFOLD |
| 160918 | 1 | BRACKET F. MANIFOLD CM |
| 242351 | 1 | O-RING D69.5X3.0 VITON F.S-93 |
| 322109 | 1 | FITT.DK S-93 BULKHEAD NUT |
| 334254 | 1 | FITT.DK S-93 PLUG |
| 334545 | 1 | FITT.DK S-93 TEE |
| 334572 | 1 | FITT.DK S-93 ADAPTOR MALE MALE |
| 440675 | 1 | SCREW F. PLASTIC 5X16 SS |
| 840110 | 1 | VALVE SUCTION S-93 F.MANIFOLD |
| 840111 | 1 | VALVE SUCTION 3 WAY S-93 W.TEE |



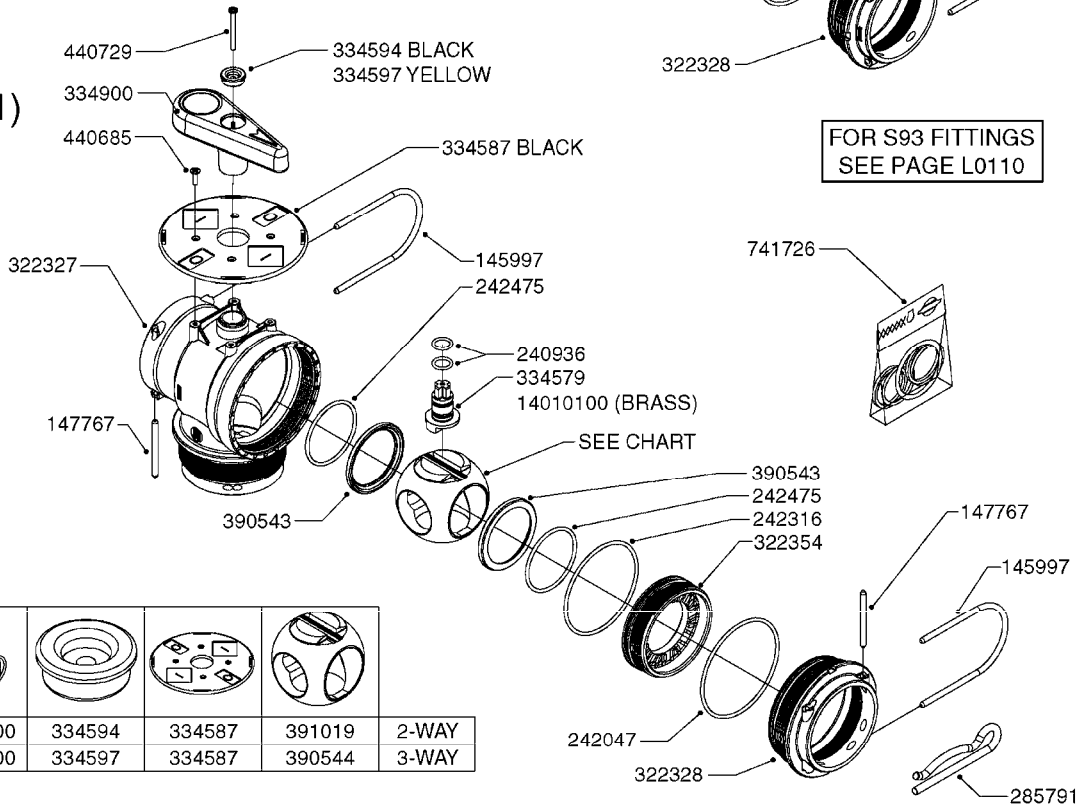
MANIFOLD - S93 VALVE
B0530-HIN, 01:01:16

S93



| | | | | |
|-----|--------|--------|--------|-------|
| | | | | 2-WAY |
| NLA | 334594 | 334587 | 391019 | 2-WAY |
| | | | | 3-WAY |
| NLA | 334597 | 334587 | 390544 | 3-WAY |

S93 (01)



| | | | | |
|----------|--------|--------|--------|-------|
| | | | | 2-WAY |
| 72082300 | 334594 | 334587 | 391019 | 2-WAY |
| | | | | 3-WAY |
| 72082400 | 334597 | 334587 | 390544 | 3-WAY |

B0530

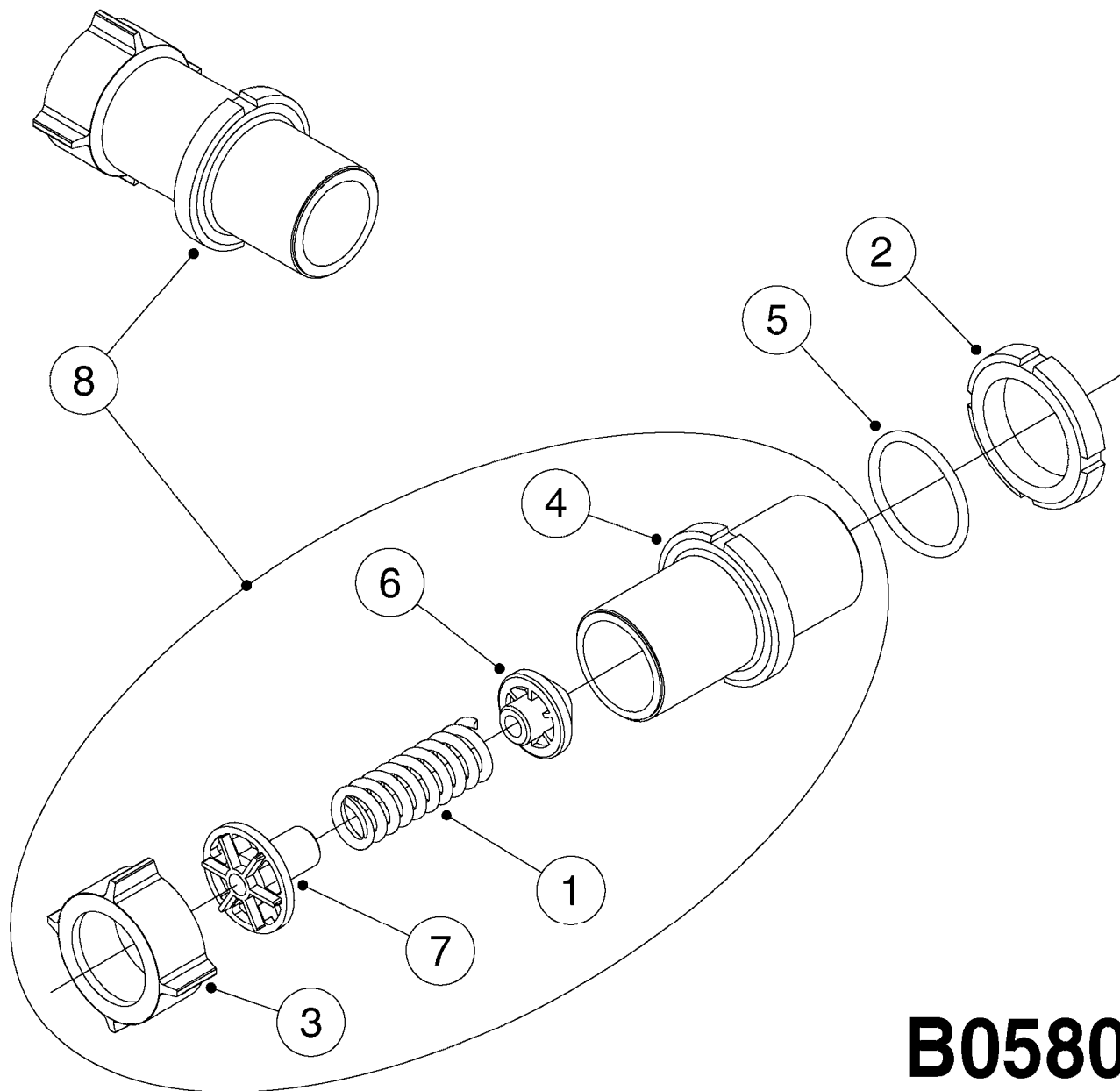


MANIFOLD - S93 VALVE
B0530-HIN, 01:01:16

Page 1

Date 04.11.2017 13:49

| parts-n° | order qty | description |
|----------|-----------|--------------------------------|
| 145997 | 1 | FITT.DK S-93 FORK |
| 147767 | 1 | PIN 5Ø X 60 S-93 DOUBLE CLAMP |
| 240936 | 1 | O-RING D13.3X2.4 NITRIL |
| 242047 | 1 | O-RING 89.5 X 3.0 VITON |
| 242316 | 1 | O-RING D84.5X3.0 NITRIL |
| 242451 | 1 | O'RING D56.0 x 3.0 VITON |
| 242475 | 1 | O'RING D56.52x5.33 SH70-VITON |
| 285791 | 1 | HAIR PIN Ø5 S67/S93 SHORT |
| 322327 | 1 | HOUSING, VALVE, S93, 220 PSI |
| 322328 | 1 | END CAP F.VALVE S-93 |
| 322354 | 1 | THRUST PLATE F.3-WAY VALVES-93 |
| 334578 | 1 | HANDLE FOR VALVE 'OLD' STYLE |
| 334579 | 1 | SPINDLE F.3 WAY VALVE S-93 |
| 334587 | 1 | FACE PLATE F.BALL VALVE BLACK |
| 334594 | 1 | PLUG F.VALVE HANDLE BLACK |
| 334597 | 1 | PLUG F.VALVE HANDLE YELLOW |
| 334900 | 1 | HANDLE F.3 WAY VALVE TALL '00 |
| 390543 | 1 | SEAT F.BALL 3-WAY VALVE S-93 |
| 390544 | 1 | BALL F.3 WAY S93 VLVE/SUCT.MAN |
| 391019 | 1 | BALL F.2 WAY S93 SMART VALVE |
| 440681 | 1 | SCREW F. PLASTIC 4MM X 14LG SS |
| 440685 | 1 | SCREW F.PLASTIC 4X14 SS C-SUNK |
| 440729 | 1 | SCREW F. PLASTIC 4MM X40LG SS |
| 741447 | 1 | REPAIR KIT F.S93 VALVE - VITON |
| 741726 | 1 | REPAIR KIT F.S93 VALVE VIT.'02 |
| 14010100 | 1 | SPINDLE F.SMART VALVE S-93 |
| 72082300 | 1 | VALVE SUC.S-93 MAN.02 2 WAY |
| 72082400 | 1 | VALVE 2"-S93 3 WAY |



B0580

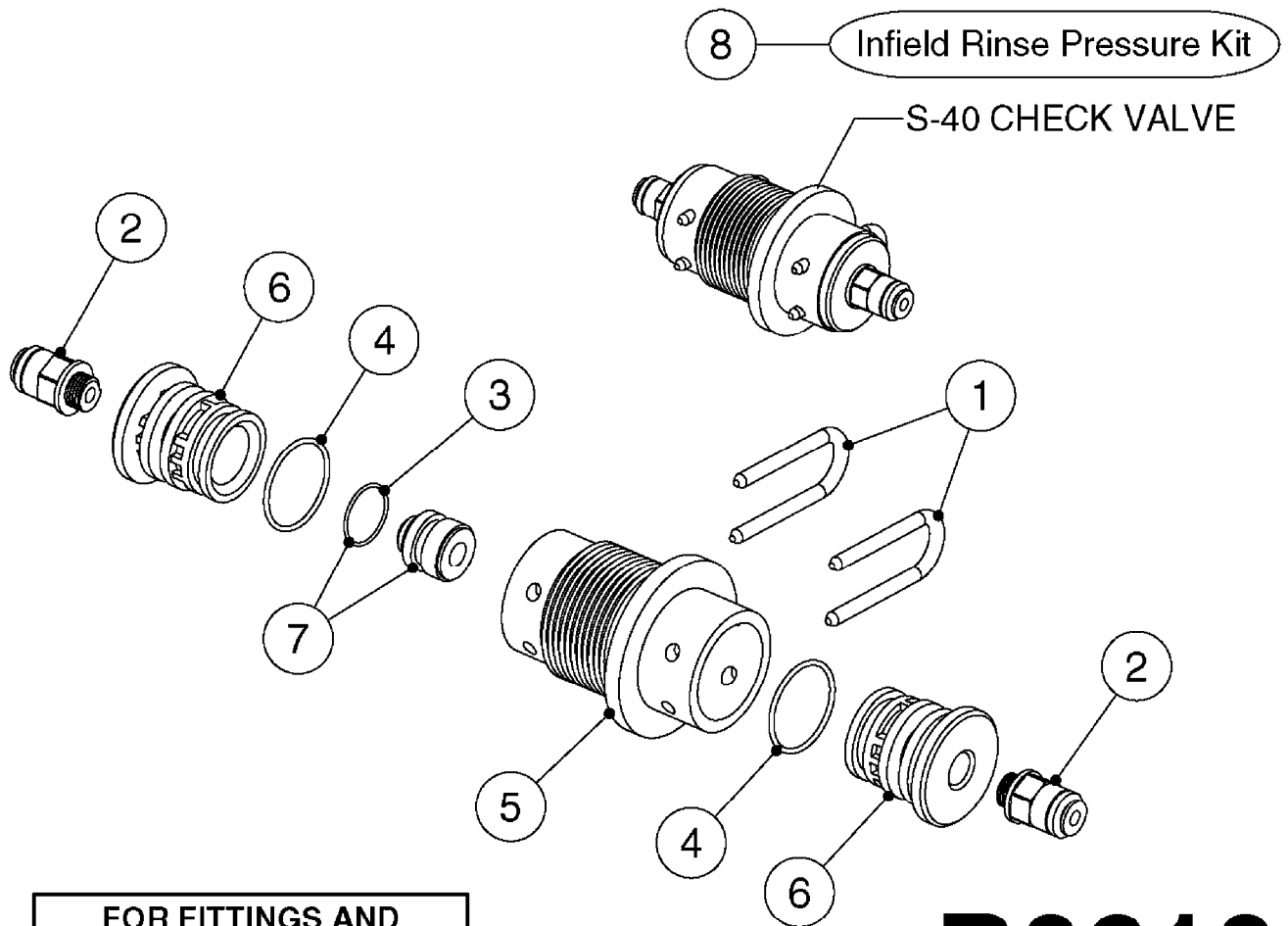


PRESSURE RELIEF VALVE
B0580-HIN, 01:01:16

Page 1

Date 04.11.2017 13:49

| Pos. | parts-n° | order qty | description |
|------|----------|-----------|---------------------------------|
| 1 | 220706 | 1 | SPRING SCF 12 BAR |
| 1 | 220734 | 1 | SPRING SCF 25 BAR |
| 2 | 320795 | 1 | FITT.DK NUT 1-1/2" BSP JAMB |
| 3 | 320821 | 1 | FITT.DK NUT 1-1/2" BSP |
| 4 | 321915 | 1 | HOUSING F. SAFETY VALVE |
| 5 | 330072 | 1 | O-RING D53.5/D45.5X4 |
| 6 | 333853 | 1 | CONE D35.4 |
| 7 | 333864 | 1 | GUIDE F. SAFETY VALVE SPRING |
| 8 | 722971 | 1 | SAFETY VALVE SCF 217PSI (15BAR) |
| 8 | 724891 | 1 | SAFETY VALVE SCF 25 BAR |



FOR FITTINGS AND
HOSES, SEE SECTION L

B0610

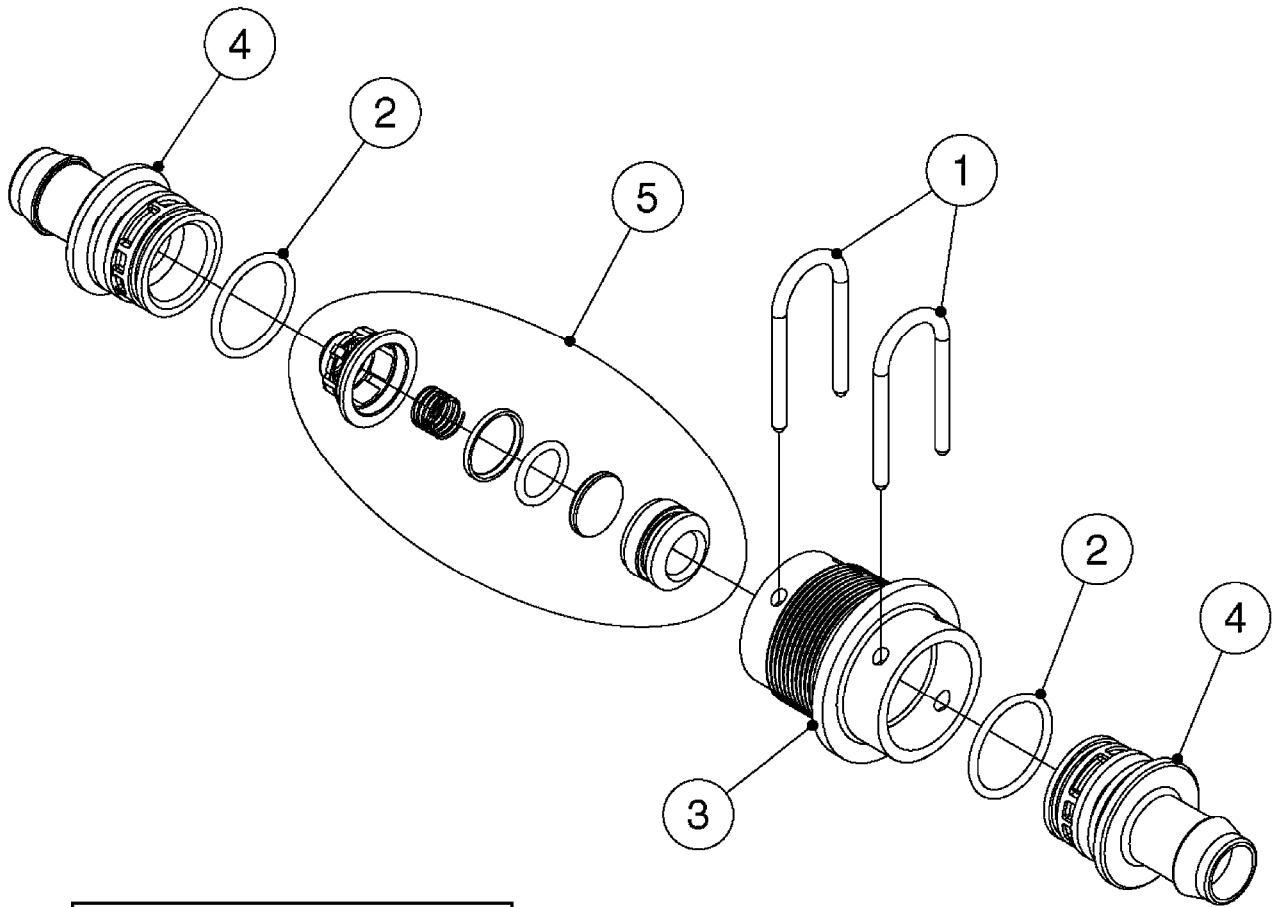


CHECK VALVES - S40
B0610-HIN, 01:01:16

Page 1

Date 04.11.2017 13:49

| Pos. | parts-n° | order qty | description |
|------|----------|-----------|--------------------------------|
| 1 | 145994 | 1 | FITT.DK S-40 FORK |
| 2 | 231346 | 1 | QUICK COUPLER 1/8"BSP X 4 MM |
| 3 | 241905 | 1 | O-RING 12,3X2,4 VITON DKR.1,05 |
| 4 | 242355 | 1 | O-RING D19.2X3.0 VITON F.S-40 |
| 5 | 322102 | 1 | FITT.DK S-40 BULKHEAD |
| 6 | 322133 | 1 | FITT.DK S-40 PLUG W 1/8 THREAD |
| 7 | 615522 | 1 | CHECK VALVE F.FOAM MARKER |
| 8 | 70036203 | 1 | RINSE PRESSURE KIT |



FOR FITTINGS AND
HOSES, SEE SECTION L

B0620

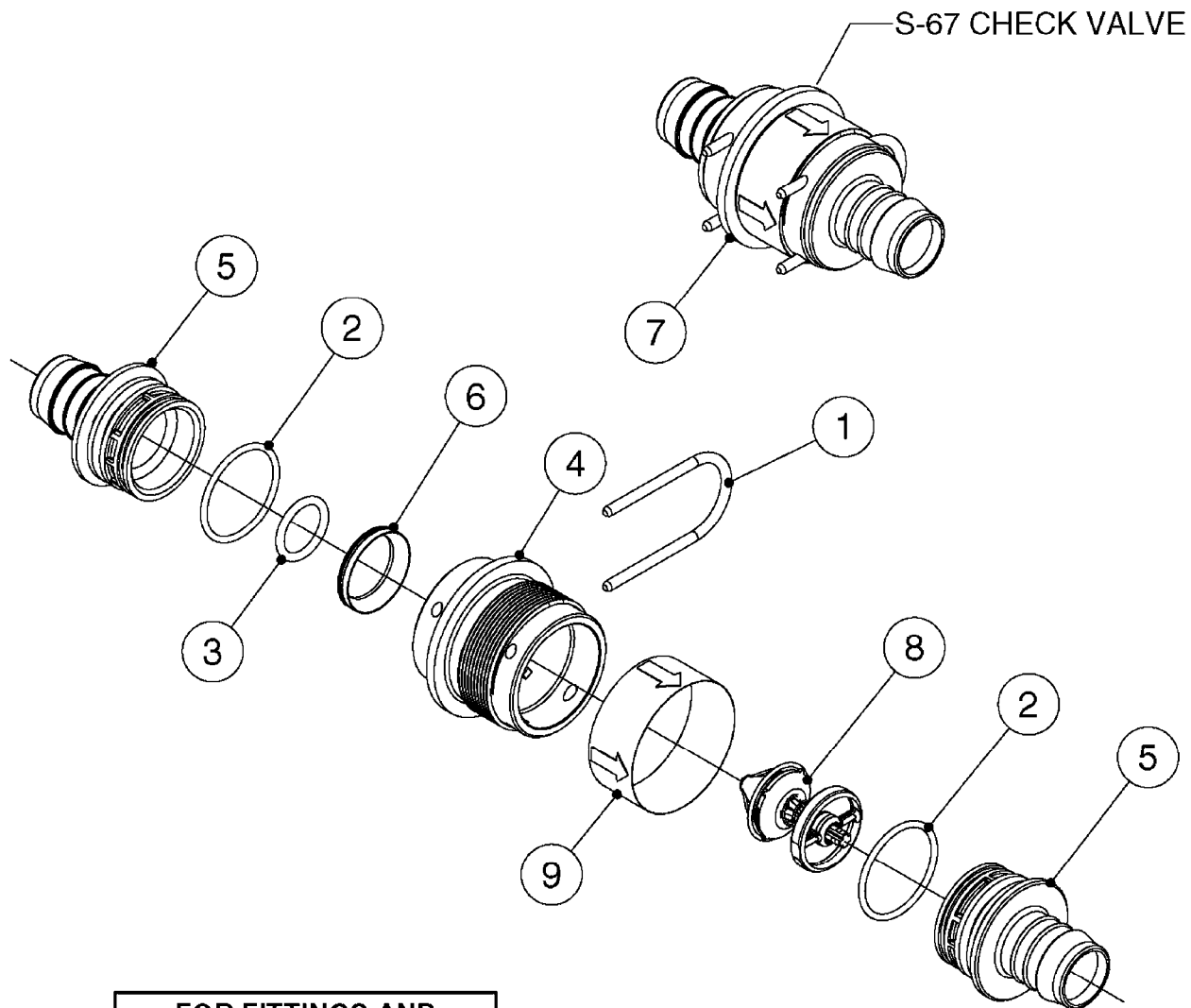


CHECK VALVES - S53
B0620-HIN, 01:01:16

Page 1

Date 04.11.2017 13:49

| Pos. | parts-n° | order qty | description |
|------|----------|-----------|-------------------------------|
| 1 | 145995 | 1 | FITT.DK S-53 FORK |
| 2 | 242354 | 1 | O-RING D32.2X3.0 VITON F.S-53 |
| 3 | 322103 | 1 | FITT.DK S-53 BULKHEAD |
| 4 | 334230 | 1 | FITT.DK S-53 STR.1" |
| 5 | 72132600 | 1 | CHECK VALVE SUBASSEMBLY S53 |



S-67 CHECK VALVE

FOR FITTINGS AND
HOSES, SEE SECTION L

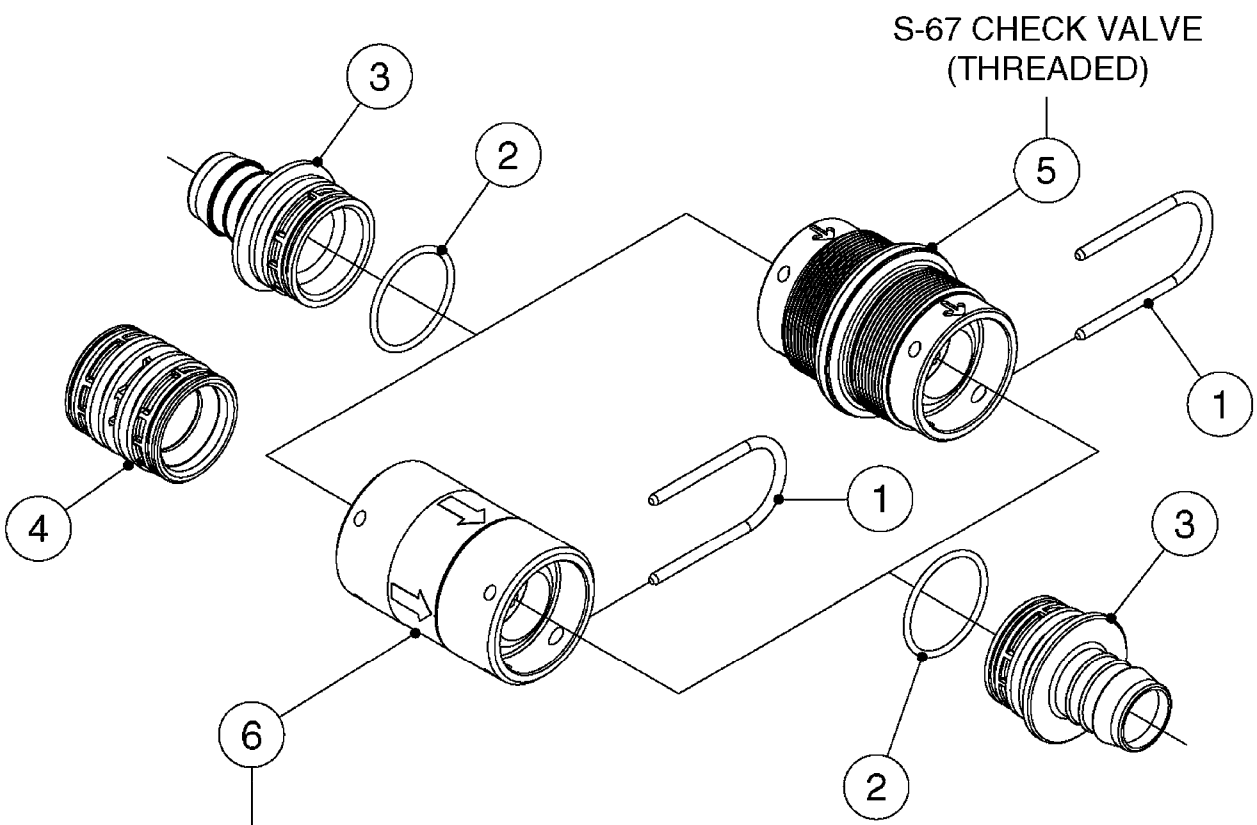
B0630



CHECK VALVES - S67
B0630-HIN, 01:01:16

Page 1
Date 04.11.2017 13:49

| Pos. | parts-n° | order qty | description |
|------|----------|-----------|--|
| 1 | 145996 | 1 | FITT.DK S-67 FORK |
| 2 | 242353 | 1 | O-RING D44.2X3.0 VITON F.S-67 |
| 3 | 242504 | 1 | O-RING D35x2 NITRIL |
| 4 | 322104 | 1 | FITT.DK S-67 BULKHEAD |
| 5 | 334231 | 1 | HOSE TAIL S67 STRAIGHT 1" |
| 5 | 334232 | 1 | HOSE TAIL S67 1"1/4 STRAIGHT |
| 6 | 14103100 | 1 | SEAT F.CHECK VALVE D40.8 2010 |
| 7 | 72001803 | 1 | CHCK VLV,S67, 2 X 1" HB COMPLETE IN-LINE CHECK VALVE FOR 1" HOSE |
| 7 | 72206600 | 1 | CHCK VLV,S67, 2 X 1.25" HB COMPLETE IN-LINE CHECK VALVE FOR 1-1/4" HOSE |
| 8 | 72089900 | 1 | CHECK VALVE S67 SUBASMBLY.2001 |
| 9 | 97800500 | 1 | DECAL 230X28 BLACK ARROW |



S-67 CHECK VALVE
(THREADED)

S-67 CHECK VALVE
(NON-THREADED)

FOR FITTINGS AND
HOSES, SEE SECTION L

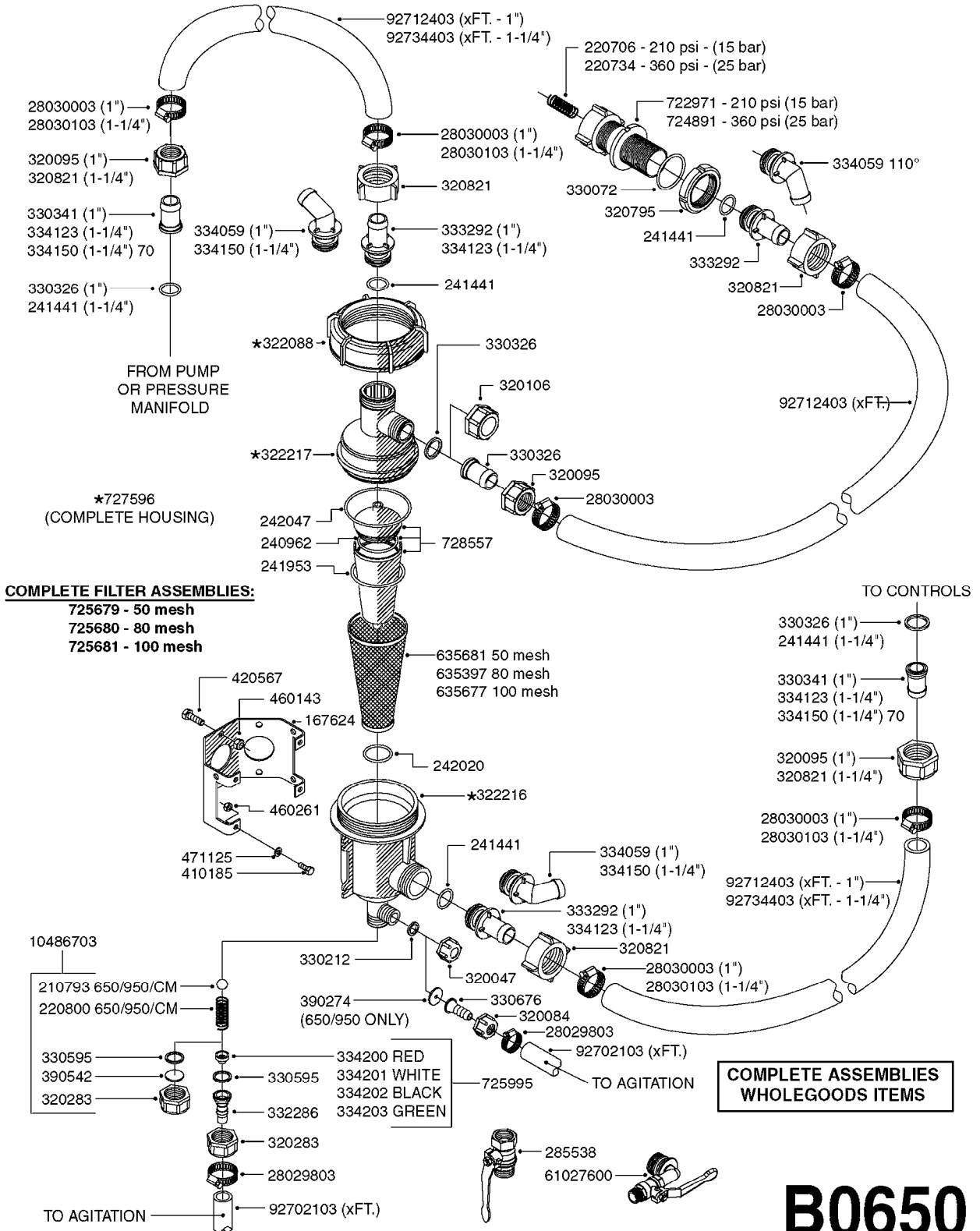
B0640



CHECK VALVES - S67 (2011)
B0640-HIN, 12:04:16

Page 1
Date 04.11.2017 13:49

| Pos. | parts-n° | order qty | description |
|------|----------|-----------|--------------------------------|
| 1 | 145996 | 1 | FITT.DK S-67 FORK |
| 2 | 242353 | 1 | O-RING D44.2X3.0 VITON F.S-67 |
| 3 | 334231 | 1 | HOSE TAIL S67 STRAIGHT 1" |
| 3 | 334232 | 1 | HOSE TAIL S67 1"1/4 STRAIGHT |
| 4 | 72432400 | 1 | FITT.DK S-67 CONNEC W.CHK SEAT |
| 5 | 72819200 | 1 | CHECK VALVE S67 2012 THREADED |
| 6 | 72819300 | 1 | CHECK VALVE S67 2012 NO THREAD |



B0650



| parts-n° | order qty | description |
|----------|-----------|-----------------------------------|
| 10486703 | 1 | KIT F.UPDATING SCF |
| 167624 | 1 | MOUNT BRACKET F. SCF |
| 210793 | 1 | BALL F.SCF |
| 220706 | 1 | SPRING SCF 12 BAR |
| 220734 | 1 | SPRING SCF 25 BAR |
| 220800 | 1 | SPRING F.SCF |
| 240962 | 1 | O-RING D57,2X3 NITRIL |
| 241441 | 1 | O-RING D29.3X3 |
| 241953 | 1 | O-RING D73,03X3,53 VITON |
| 242020 | 1 | O-RING 39.2 X 3 VITON |
| 242047 | 1 | O-RING 89.5 X 3.0 VITON |
| 28029803 | 1 | CLAMP HOSE GEAR P1/2" 6708 |
| 28030003 | 1 | CLAMP HOSE GEAR P1" 6716 |
| 28030103 | 1 | CLAMP HOSE GEAR P5/4-S1.5"6724 |
| 285538 | 1 | BALL VALVE 3/4" BSP |
| 320047 | 1 | FITT.DK CAPNUT 1/2" BSP |
| 320084 | 1 | FITT.DK NUT 1/2" BSP |
| 320095 | 1 | FITT.DK NUT 1" BSP |
| 320106 | 1 | FITT.DK CAPNUT 1" BSP |
| 320283 | 1 | FITT.DK NUT 3/4"BSP |
| 320795 | 1 | FITT.DK NUT 1-1/2" BSP JAMB |
| 320821 | 1 | FITT.DK NUT 1-1/2" BSP |
| 322088 | 1 | NUT LARGE F.SCF BODY |
| 322216 | 1 | SCF HOUSING (THREADED) F.GROVE |
| 322217 | 1 | SCF TOP (THREADED) W/GROVE |
| 330072 | 1 | O-RING D53.5/D45.5X4 |
| 330212 | 1 | O-RING D19/D14X2.4 F.1/2"NUT |
| 330326 | 1 | O-RING D30/D24X2 F.1"NUT |
| 330341 | 1 | FITT.DK HB 1" F. 1" NUT |
| 330595 | 1 | O-RING D24.6/D20X2.1 -3/4" |
| 330676 | 1 | FITT.DK HB 3/8" F. 1/2" NUT |
| 332286 | 1 | FITT.DK HB 1/2" F. 3/4" NUT |
| 333292 | 1 | FITT.DK HB 1"O'RING F.1-1/2" |
| 334059 | 1 | FITT.DK EL 1" 110 DEG.F.1-1/2" |
| 334123 | 1 | FITT.DK HB 1-1/4"O-RNG F.1-1/2" |
| 334150 | 1 | FITT.DK HB 1-1/4" 110 F.1-1/2" |
| 334200 | 1 | ORFICE 3MM FOR SCF RED |
| 334201 | 1 | ORFICE 4MM FOR SCF WHITE |
| 334202 | 1 | ORFICE 5MM FOR SCF BLACK |
| 334203 | 1 | ORFICE 6MM FOR SCF GREEN |
| 390274 | 1 | ORIFICE ID4.0/18/1.5 |
| 390542 | 1 | PLUG WASHER FOR 3/4'CAP NUT |
| 410185 | 1 | BOLT HEX 8.8 DEL M6X16 |
| 420567 | 1 | BOLT HEX 8.8 DEL M8X30 FT |
| 460143 | 1 | NUT HEX M8X1.25 LOCK DIN985A2 SS |
| 460261 | 1 | NUT HEX M6X1.00 LOCK DIN985 A2 SS |
| 471125 | 1 | WASHER M6U 6.4X14X1.2,A2 SS |
| 61027600 | 1 | VALVE 1/2"BSP ASSY S5390 |
| 635397 | 1 | SCREEN SCF 80 MESH |
| 635677 | 1 | SCREEN SCF 100 MESH |
| 635681 | 1 | SCREEN SCF 50 MESH |
| 722971 | 1 | SAFETY VALVE SCF 217PSI (15BAR) |
| 724891 | 1 | SAFETY VALVE SCF 25 BAR |
| 725679 | 1 | SCF ASSY.50 W/THREADED TOP CAP |
| 725680 | 1 | SCF ASSY.80 W/THREADED TOP CAP |
| 725681 | 1 | SCF ASSY.100 W/THREADED CAP |
| 725995 | 1 | BAG FOR SCF |
| 727596 | 1 | SCF HOUSING COMPLETE |
| 728557 | 1 | CONE F.SCF RED |
| 92702103 | 1 | HOSE R X1/2" X300PSI WP X0012" |
| 92712403 | 1 | HOSE R X1" X300PSI WP X0012" |



SELF CLEANING FILTER-SCREW TOP
B0650-HIN, 01:01:16

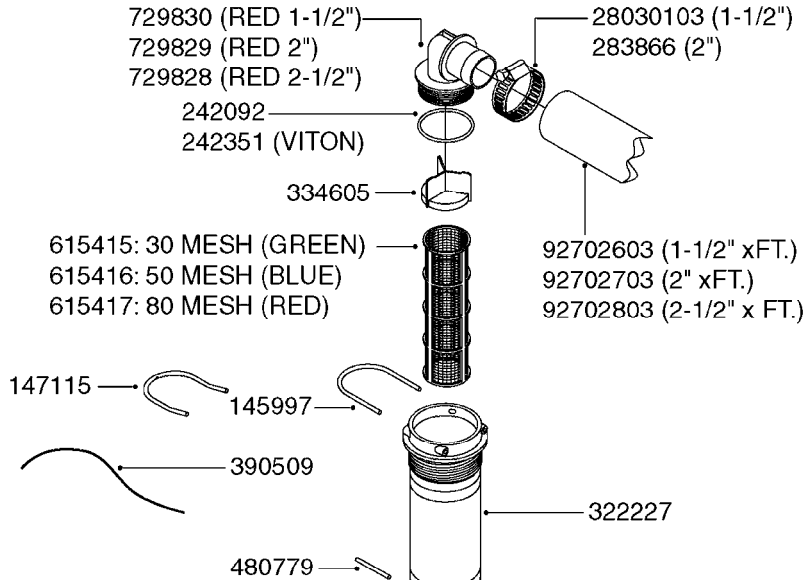
Page 2

Date 04.11.2017 13:49

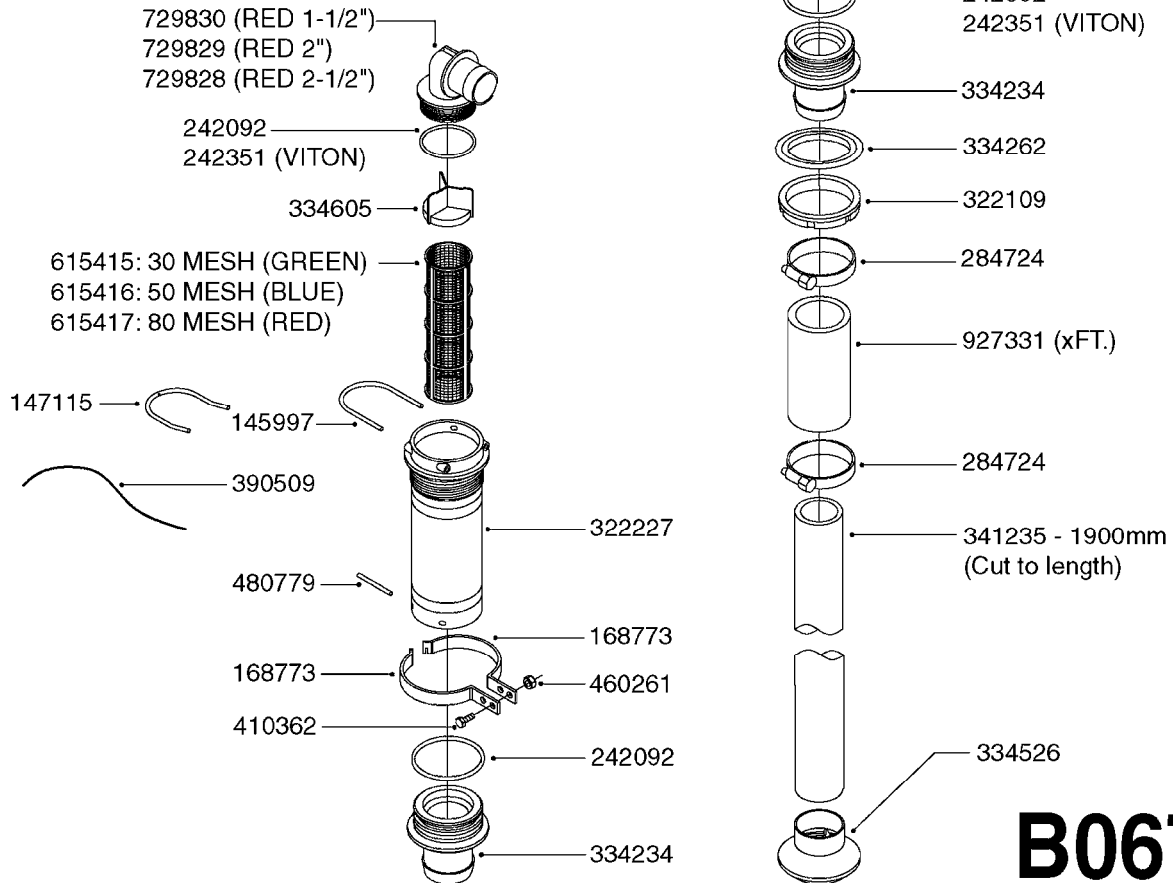
| parts-n° | order qty | description |
|----------|-----------|--------------------------------|
| 92734403 | 1 | HOSE R X5/4" X200PSI WP X0012" |



TOP SUCTION



EXTERNAL SUCTION



B0670



TOP SUCTION ASSEMBLY-S93 2"
B0670-HIN, 01:01:16

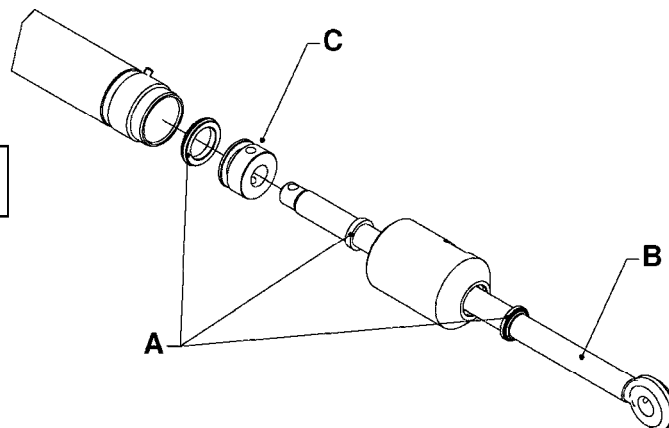
Page 1

Date 04.11.2017 13:49

| parts-n° | order qty | description |
|----------|-----------|-----------------------------------|
| 145997 | 1 | FITT.DK S-93 FORK |
| 147115 | 1 | FITT.DK S-93 FORK SPECIAL |
| 168773 | 1 | MOUNT BRACKET F.S93 HOUSING |
| 242092 | 1 | O-RING D69.5X3 |
| 242351 | 1 | O-RING D69.5X3.0 VITON F.S-93 |
| 283866 | 1 | CLAMP HOSE SCREW TYPE 2"DELTA |
| 284724 | 1 | CLAMP HOSE GEAR D52-70 |
| 322109 | 1 | FITT.DK S-93 BULKHEAD NUT |
| 322227 | 1 | HOUSING F.FILTER S-93 2" |
| 334234 | 1 | FITT.DK S-93 STR.2" RUBBER |
| 334262 | 1 | GASKET F.S-93 BULKHEAD |
| 334526 | 1 | FOOT F.SUCTION TUBE 2" |
| 334605 | 1 | VANE F.TOP SUCTION FILTER |
| 341235 | 1 | TUBE, SUCTION-2", L=1900MM |
| 390509 | 1 | *STRING POLYESTER D1 X 325MM |
| 410362 | 1 | BOLT HEX 8.8 SS M6X20 |
| 460261 | 1 | NUT HEX M6X1.00 LOCK DIN985 A2 SS |
| 480779 | 1 | PIN D5X55 SPLIT |
| 615415 | 1 | FILTER ELEM.S93,30 MESH-GREEN |
| 615416 | 1 | FILTER ELEM.S93,50 MESH-BLUE |
| 615417 | 1 | FILTER ELEM.S93,80 MESH-RED |
| 729828 | 1 | FITT.DK S-93 ELB 2-1/2" RED |
| 729829 | 1 | FITT.DK S-93 ELB 2 RED |
| 729830 | 1 | FITT.DK S-93 ELB 1-1/2" 90 RED |
| 927331 | 1 | HOSE R X 28 BAR X 50MM X 0012" |
| 28030103 | 1 | CLAMP HOSE GEAR P5/4-S1.5"6724 |
| 92702603 | 1 | HOSE PVC SUCT GRAY 1-1/2" |
| 92702703 | 1 | HOSE PVC SUCT GRAY 2" |
| 92702803 | 1 | HOSE PVC SUCT GRAY 2.5" |



Check cylinder barrel for stamped part number.



| | | A | B | C |
|--------|--------|--------|----------|----------|
| 781030 | | 750247 | 615030 | 146443 |
| 781031 | | 750248 | 615040 | 146484 |
| 781033 | | 750248 | 615174 | 146484 |
| 781035 | | 750247 | 146610 | 146443 |
| | 781038 | 750247 | 615210 | 146443 |
| 781039 | | 750250 | 615656 | 147254 |
| | 781041 | 750253 | 615232 | 146749 |
| | 781043 | 750251 | 615210 | 146858 |
| 781044 | | 750248 | 615316 | 146484 |
| 781045 | | 750273 | 615358 | 146443 |
| | 781047 | 750251 | 615363 | 146858 |
| | 781051 | 750273 | 615570 | 146443 |
| 781052 | | 750273 | 147127 | 146443 |
| 781053 | | 750273 | 147151 | 146443 |
| 781058 | | 750251 | 615643 | 146858 |
| 781060 | | 750250 | 615656 | 147254 |
| 781065 | | 750273 | 147127 | 146443 |
| 781067 | | 755695 | 147468 | 147469 |
| 781078 | | 750251 | 615643 | 146858 |
| 781080 | | 750247 | 147601 | 146443 |
| 781083 | | 755697 | 616065 | 147463 |
| 781084 | | 750247 | 616070 | 146443 |
| 781087 | | 750689 | 147127 | 146858 |
| 781090 | | 750669 | 61003600 | 14005600 |

| | | A | B | C |
|----------|--|--------|----------|----------|
| 781093 | | 750693 | 14018900 | 14022200 |
| 781096 | | 750691 | 61025200 | 14015500 |
| 781097 | | 750691 | 61022800 | 14015500 |
| 781100 | | 750692 | 14022400 | 14038500 |
| 781107 | | 750713 | 14028900 | 14024100 |
| 781109 | | 750713 | 14029100 | 14024100 |
| 781111 | | 750713 | 14029100 | 14024100 |
| 781113 | | 750714 | 61028900 | 14038400 |
| 781115 | | 750709 | 61029200 | 14029700 |
| 781116 | | 750712 | 14030200 | 14038400 |
| 781118 | | 750710 | 14030600 | 14029700 |
| 781119 | | 750710 | 14030700 | 14029700 |
| 781121 | | 750711 | 14030900 | 14029700 |
| 781122 | | 750711 | 14030900 | 14029700 |
| 781123 | | 750711 | 14031100 | 14029700 |
| 781124 | | 750711 | 14031100 | 14029700 |
| 781126 | | 750710 | 14036200 | |
| 781127 | | 750709 | 61033600 | |
| 781130 | | 750715 | 61031000 | 14027500 |
| 781132 | | 750668 | 63039300 | |
| 781138 | | 750715 | 61038000 | 14027500 |
| 781139 | | 750725 | 615656 | |
| 781141 | | 750724 | 61022800 | |
| 78100003 | | 750691 | 61022800 | 14008203 |

C0020



| parts-n° | order qty | description |
|----------|-----------|--------------------------------|
| 146443 | 1 | HYDR.PISTON D49.8/23.0 L=35 |
| 146484 | 1 | HYDR.PISTON D39.8/18.0 L=25 |
| 146610 | 1 | PISTON ARM F.CYL Ø50/25-150 |
| 146749 | 1 | PISTON RING F.D70/50-700 |
| 146858 | 1 | HYDR.PISTON D59.8/23.0 L=35 |
| 147127 | 1 | PISTON BAR Ø30,0 - 385MM |
| 147151 | 1 | PISTON BAR D30.0 - 585MM |
| 147254 | 1 | HYDR.PISTON D25/12 L=12 |
| 147463 | 1 | PISTON RING F.D70/40 |
| 147468 | 1 | ROD CYLINDER F. 781067 HYD CYL |
| 147469 | 1 | PISTON F. 781067 HYD CYL |
| 147601 | 1 | PISTON ARM F. CYL. Ø25 L=348 |
| 615030 | 1 | PISTON BAR D 50/25-300 |
| 615040 | 1 | PISTON ARM F.CYL Ø40/20-120 |
| 615174 | 1 | PISTON ROD F. HY CYLINDER |
| 615210 | 1 | HINGE PIN W.FORK L=1015 |
| 615232 | 1 | PISTON ARM F.CYL Ø70/50-700 |
| 615316 | 1 | PISTON ARM F. CYL. D40/20-500 |
| 615358 | 1 | PISTON ARM F.CYL Ø50/30-500 |
| 615363 | 1 | PISTON ARM F.CYL Ø25 L=1315 |
| 615570 | 1 | CYLINDER ROD F.HY CYL.781051 |
| 615643 | 1 | PISTON BAR 060-25 - 830MM |
| 615656 | 1 | PISTON BAR FOR 025/12-50 |
| 616065 | 1 | PISTON ARM F. CYL. Ø40/400 |
| 616070 | 1 | PIST ARM Ø50/25L=300alt781113 |
| 750247 | 1 | SEAL KIT F.HY CYL.781030/35/38 |
| 750248 | 1 | SEAL KIT F.HY CYL.781031/33 |
| 750250 | 1 | SEAL KIT F.HY CYL.781039 |
| 750251 | 1 | SEAL KIT F.HY CYL. |
| 750253 | 1 | SEAL KIT F.HY CYL.781041 |
| 750273 | 1 | GASKET SET F.HY-CYL 781051-52 |
| 750668 | 1 | SEAL KIT F.HY DAMPER 781089 |
| 750669 | 1 | SEAL KIT F.HY CYL. 781090 |
| 750689 | 1 | SEAL KIT F.HY CYL.781087 |
| 750691 | 1 | SEAL KIT F HY CYL.781095/96/97 |
| 750692 | 1 | SEAL KIT F.HY CYL.781100 |
| 750693 | 1 | SEAL KIT F.HY CYL.781093 |
| 750709 | 1 | GASKET SET F.781115/25 |
| 750710 | 1 | SEAL KIT F.HY CYL.781118/19/20 |
| 750711 | 1 | SEAL KIT F.781121/22/23/24 |
| 750712 | 1 | SEAL KIT F.781116 |
| 750713 | 1 | SEAL KIT F HY CYL.781103/6/7/8 |
| 750714 | 1 | SEAL KIT F.HY CYL.781113/14/17 |
| 750715 | 1 | SEAL KIT F.HY CYL.781105/30/38 |
| 750724 | 1 | SEAL KIT F.HY CYL.781141 |
| 750725 | 1 | SEAL KIT F.HY CYL.781131-39 |
| 755695 | 1 | SEAL KIT F. HYD CYL 781067 |
| 755697 | 1 | SEAL KIT F.HY CYL.781083 |
| 781030 | 1 | DOUBLE CYLINDER D 50/25-300 |
| 781031 | 1 | CYLINDER D40/20-120 |
| 781033 | 1 | DOUBLE CYLINDER D 40/20-300 |
| 781035 | 1 | CYLINDER DOUBLE Ø50/25-150 |
| 781038 | 1 | CYLINDER Ø50/25-900 |
| 781039 | 1 | CYL D25/12-50 172MM alt 781139 |
| 781041 | 1 | CYLINDER DOUBLE Ø70/50-700 |
| 781043 | 1 | CYLINDER DOUBLE D60/25-900 |
| 781044 | 1 | CYLINDER DOUBLE D40/20-300 |
| 781045 | 1 | CYLINDER DOUBLE Ø50/30-500 |
| 781047 | 1 | CYLINDER Ø60/25-1200 |
| 781051 | 1 | CYLINDER DOUBLE Ø50/30-600 |
| 781052 | 1 | CYL DOUB D50/30-300 78121600 |



| parts-n° | order qty | description |
|----------|-----------|--------------------------------|
| 781053 | 1 | CYL F INN WING FLD alt 781107 |
| 781058 | 1 | CYLINDER 60/25 X 725 CM PAR LH |
| 781060 | 1 | CYLINDER D25/12-50 L=210mm |
| 781065 | 1 | CYLINDER F.WING TILT |
| 781067 | 1 | CYL DOUB D50/30-300 78121600 |
| 781078 | 1 | CYLINDER 60/25 X 725 CM PAR RH |
| 781080 | 1 | DOB.CYL.D50/25-250 |
| 781083 | 1 | CYLINDER DOUBLE D70/40-400 |
| 781084 | 1 | CYLINDER D50/25 L=300 |
| 781087 | 1 | CYL DOUB 60/30-300 alt 781100 |
| 781090 | 1 | CYL DBLD32/16-200W |
| 781093 | 1 | CYLINDER FOLD SPC D60/30 L=300 |
| 781096 | 1 | CYLINDER 60/25 X 662 NAV PAR |
| 781097 | 1 | CYLINDER 60/25 X 725 CM PAR |
| 781100 | 1 | CYLINDER DOUBLE 60/30-300 |
| 781107 | 1 | DOBCYL50/30-500/M24X2 78121200 |
| 781109 | 1 | DOUBLE CYLINDER D 50/30-300 |
| 781111 | 1 | CYL DOUB D50/30-300 78121600 |
| 781113 | 1 | DOUBLE CYLINDER D 50/25-300 |
| 781115 | 1 | DOUBLE CYLINDER D 40/20-300 |
| 781116 | 1 | CYLINDER DOUBLE D50/25-298 |
| 781118 | 1 | CYLINDER 40/20 L=180 |
| 781119 | 1 | DOUBLE CYLINDER D 40/20-300 |
| 781121 | 1 | CYLINDER D40/22-300 BLACK |
| 781122 | 1 | CYLINDER 40/22X300MM RED |
| 781123 | 1 | CYLINDER D40/22-300 BLACK |
| 781124 | 1 | CYLINDER 40/22X300MM RED |
| 781126 | 1 | CYLINDER D40/20-120 |
| 781127 | 1 | CYLINDER D40/20-120 |
| 781130 | 1 | CYLINDER DOUBL. D70/40-320 |
| 781132 | 1 | CYL.STAB CM1200 04 78126000 |
| 781138 | 1 | CYLINDER DOUBL. D70/40-265 |
| 781139 | 1 | CYLINDER D25/12-50 |
| 781141 | 1 | CYLINDER 60/25 X 635 DELTA PAR |
| 14005600 | 1 | HYDR.PISTON D32.0/16.0 L=25 |
| 14008203 | 1 | HYD. CYLINDER PISTON CM+750 |
| 14015500 | 1 | HYDR.PISTON D60.0/25.0 L=40 |
| 14018900 | 1 | PISTON ARM F. CYL. Ø30 L=420 |
| 14022200 | 1 | HYDR.PISTON D59.4/20.0 L=34.9 |
| 14022400 | 1 | PISTON ARM F. CYL. Ø60 L=412 |
| 14024100 | 1 | HYDR.PISTON D49.4/20.0 L=35 |
| 14027500 | 1 | HYDR.PISTON D69.4/24.0 L=35 |
| 14028900 | 1 | CYLINDER ROD D30.0 L=609.0 |
| 14029100 | 1 | CYLINDER ROD D30.0 L=409.0 |
| 14029700 | 1 | HYDR.PISTON D38.0/16.0 L=25 |
| 14030200 | 1 | CYLINDER ROD D25.0 L=398 |
| 14030600 | 1 | CYLINDER ROD D20.0 L=281.0 |
| 14030700 | 1 | CYLINDER ROD D20.0 L=401 |
| 14030900 | 1 | CYLINDER ROD D22.0 L=401 |
| 14031100 | 1 | CYLINDER ROD D22.0 L=439/M22 |
| 14036200 | 1 | CYLINDER ROD D20.0 L=221.0 |
| 14038400 | 1 | HYDR.PISTON D49.4/20.0 L=34.9 |
| 14038500 | 1 | PISTON HYD. CYL. Ø60/Ø25 |
| 61003600 | 1 | CYLINDER ROD F. 781090 |
| 61022800 | 1 | PISTON ARM F.CYL.Ø60/25L=856.5 |
| 61025200 | 1 | PISTON ARM F.CYL.Ø60/25L=786.5 |
| 61028900 | 1 | PISTON ARM F.CYL.Ø50/25-300 |
| 61029200 | 1 | PISTON ROD F. HY CYLINDER |
| 61031000 | 1 | CYLINDER ROD FOR D70/40 - 320 |
| 61033600 | 1 | PISTON ARM F.CYL.Ø40/20 L=120 |
| 61038000 | 1 | CYLINDER ROD FOR D70/40 |



HYDRAULICS - CYLINDERS
C0020-HIN, 01:01:16

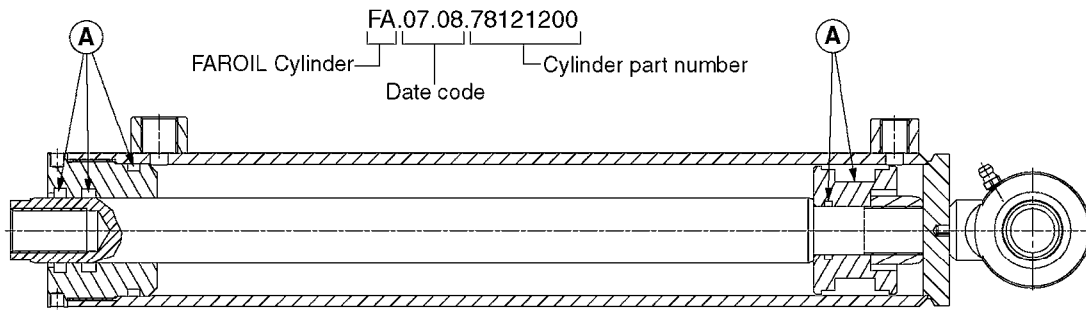
Page 3

Date 04.11.2017 13:49

| parts-n° | order qty | description |
|----------------------|-----------|---|
| 63039300 78100003 | 1 1 | CYLINDER ROD F.781132 CYL. PARA-LIFT CM+750 W/STOP |



Check cylinder barrel for stamped part number.



FAROIL cylinders directly replace the cylinders in the chart below. Seal kits (A) are for FAROIL cylinders only. Seal kits for replaced cylinders can be found on pages C0010 and C0020.

| FAROIL Cylinder # | Replaces Cylinder # | FAROIL Seal Kit (A) |
|-------------------|---------------------|---------------------|
| 78120000 | 781001 | 75075900 |
| 78120100 | 781011 | 75076000 |
| 78120200 | 781034 | 75075900 |
| 78120300 | 781040 | 75076100 |
| 78120500 | 781093 | 75074600 |
| 78120600 (LH) | 781096* | 28117300 |
| 78120700 (LH) | 781097* | 28117300 |
| 78120800 | 781100 | 75075400 |
| 78121000 | - | 75075500 |
| 78121200 | 781107 | 75074500 |
| 78121400 | 781109 | 75075200 |
| 78121600 | 781111 | 75074500 |
| 78121800 | 781113 | 75074400 |
| 78122000 | 781115 | 75074300 |
| 78122100 | 781116 | 75074400 |
| 78122300 | 781118 | 75074300 |
| 78122400 | 781119 | 75074300 |
| 78122600 | 781121 | 75075000 |
| 78122700 | 781122 | 75075000 |

| FAROIL Cylinder # | Replaces Cylinder # | FAROIL Seal Kit (A) |
|-------------------|---------------------|---------------------|
| 78122800 | 781123 | 75075000 |
| 78122900 | 781124 | 75075000 |
| 78123100 | 781126 | 75074300 |
| 78123200 | 781127 | 75074300 |
| 78123300 (LH) | 78115000* | 75075500 |
| 78124100 (RH) | 78115100* | 75075500 |
| 78124200** | 781139 | 75074800 |
| 78124300 (LH) | 781141* | 28117300 |
| 78124600 | 781115 | 75074300 |
| 78125100 (RH) | 78115000* | 75075500 |
| 78125300 (LH) | 78115100* | 75075500 |
| 78125500 (RH) | 781096* | 28117300 |
| 78125600 (RH) | 781097* | 28117300 |
| 78125700 (RH) | 781141* | 28117300 |
| 78126000 | 781132 | 75074900 |
| 78126400 | 781090 | 75076500 |
| 78128000 | 78120500 | 75074600 |
| 78128800 | 78121200 | 75075200 |

*Replaced by separate left and right cylinders.
** Only available as 72531000 (78124200 with fittings).



| parts-n° | order qty | description |
|----------|-----------|--|
| 781001 | 1 | CYL.TELESOPING Ø50/40/25_1100 |
| 781011 | 1 | CYLINDER TELESC.70/60/40 |
| 781034 | 1 | HY. CYLINDER D50/40/25 - 1200 |
| 781040 | 1 | CYLINDER 60/50/30 1100MM |
| 781090 | 1 | CYL DBLD32/16-200W |
| 781093 | 1 | CYLINDER FOLD SPC D60/30 L=300 |
| 781096 | 1 | CYLINDER 60/25 X 662 NAV PAR |
| 781097 | 1 | CYLINDER 60/25 X 725 CM PAR |
| 781100 | 1 | CYLINDER DOUBLE 60/30-300 |
| 781107 | 1 | DOBCYL50/30-500/M24X2 78121200 |
| 781109 | 1 | DOUBLE CYLINDER D 50/30-300 |
| 781111 | 1 | CYL DOUB D50/30-300 78121600 |
| 781113 | 1 | DOUBLE CYLINDER D 50/25-300 |
| 781115 | 1 | DOUBLE CYLINDER D 40/20-300 |
| 781116 | 1 | CYLINDER DOUBLE D50/25-298 |
| 781118 | 1 | CYLINDER 40/20 L=180 |
| 781119 | 1 | DOUBLE CYLINDER D 40/20-300 |
| 781121 | 1 | CYLINDER D40/22-300 BLACK |
| 781122 | 1 | CYLINDER 40/22X300MM RED |
| 781123 | 1 | CYLINDER D40/22-300 BLACK |
| 781124 | 1 | CYLINDER 40/22X300MM RED |
| 781126 | 1 | CYLINDER D40/20-120 |
| 781127 | 1 | CYLINDER D40/20-120 |
| 781132 | 1 | CYL.STAB CM1200 04 78126000 |
| 781139 | 1 | CYLINDER D25/12-50 |
| 781141 | 1 | CYLINDER 60/25 X 635 DELTA PAR |
| 28117300 | 1 | SEAL KIT 78120600/07/43 |
| 72531000 | 1 | CYL. D25/12-50/78124200 W/FITT |
| 75074300 | 1 | SEALKIT78122000/23-25/30-32/46 |
| 75074400 | 1 | SEAL KIT 78121800/21/44 |
| 75074500 | 1 | SEALKIT78121100-13/15/16/36/48 |
| 75074600 | 1 | SEAL KIT 78120500/49 |
| 75074800 | 1 | SEAL KIT 78123400/42 |
| 75074900 | 1 | SEAL KIT 78123700 |
| 75075000 | 1 | SEAL KIT 78122600/27/28/29 |
| 75075200 | 1 | SEAL KIT 78120900/14/50 |
| 75075400 | 1 | SEAL KIT 78120800 |
| 75075500 | 1 | SEAL KIT 78121000/33/41/51/53 |
| 75075900 | 1 | SEAL KIT FOR 78120000 & 78120200 |
| 75076000 | 1 | SEAL KIT 78120100 |
| 75076100 | 1 | SEAL KIT 78120300 |
| 75076500 | 1 | SEAL KIT 78126400 |
| 78115000 | 1 | DBL CYL D70/40-320 AIRING |
| 78115100 | 1 | CYL DOB.D70/40-265 AIR INLET R |
| 78120000 | 1 | CYL.TELESOPING Ø50/40/25_1100 |
| 78120100 | 1 | CYLINDER TELESC.70/60/40 |
| 78120200 | 1 | HY. CYLINDER D50/40/25 - 1200 |
| 78120300 | 1 | CYLINDER 60/50/30 1100MM |
| 78120500 | 1 | CYLINDER FOLD SPC D60/30 L=300 NLA - REPLACED BY 78128000 |
| 78120600 | 1 | CYLINDER 60/25 X 662 NAV PAR L |
| 78120700 | 1 | SIN.CYL.Ø60/25-725 2XØ25 LEFT |
| 78120800 | 1 | SIN.CYL.Ø60/30_300 M24X2 |
| 78121000 | 1 | CYLINDER DOUBLE D70/40-400 |
| 78121200 | 1 | CYLINDER, D50/30-500 |
| 78121400 | 1 | CYLINDER DOUBLE D50/30-300 |
| 78121600 | 1 | CYLINDER DOUBLE D50/30-300 |
| 78121800 | 1 | CYLINDER D50/25 L=300 |
| 78122000 | 1 | CYLINDER DOUBLE Ø40/20-300 0° |
| 78122100 | 1 | CYLINDER DOUBLE D50/25-298 |
| 78122300 | 1 | DOB.CYL.D40/20_180 |



HYDRAULICS - FAROIL CYLINDERS
C0030-HIN, 01:01:16

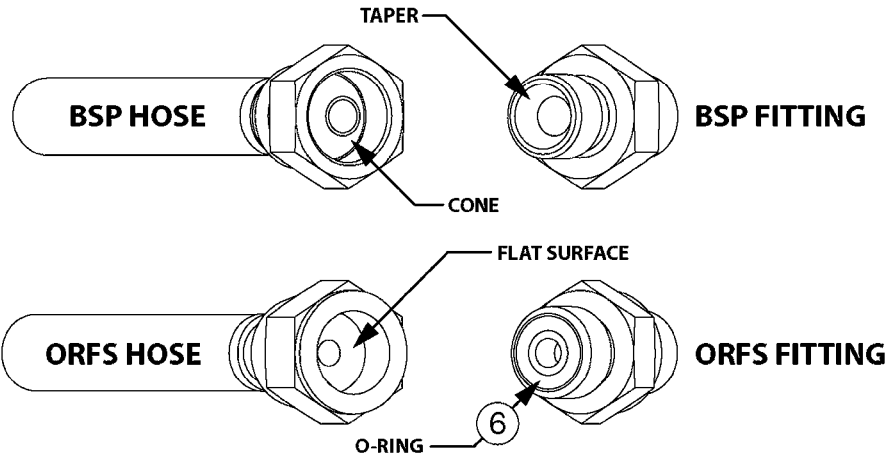
Page 2

Date 04.11.2017 13:49

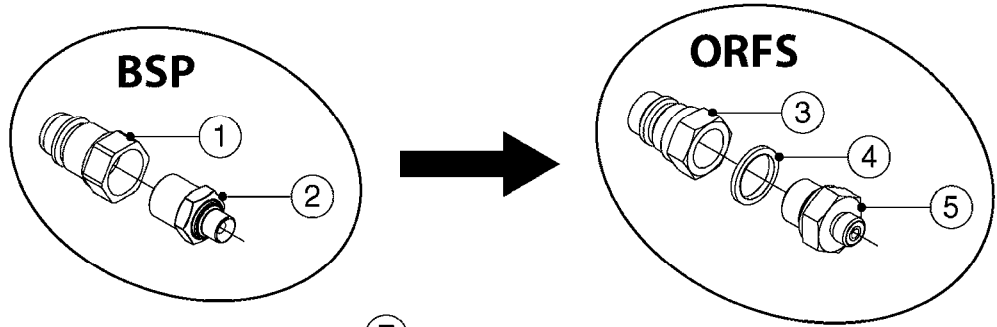
| parts-n° | order qty | description |
|----------|-----------|--------------------------------|
| 78122400 | 1 | DOUBLE CYLINDER D 40/20-300 |
| 78122600 | 1 | CYLINDER D40/22-300 BLACK |
| 78122700 | 1 | CYLINDER 40/22X300MM RED |
| 78122800 | 1 | CYLINDER D40/22-300 BLACK |
| 78122900 | 1 | CYLINDER 40/22X300MM RED |
| 78123100 | 1 | CYLINDER D40/20-120 |
| 78123200 | 1 | CYLINDER D40/20-120 |
| 78123300 | 1 | DBL CYL D70/40-320 AIR INLET L |
| 78124100 | 1 | CYL DOB.D70/40-265 AIR INLET R |
| 78124200 | 1 | CYLINDER D25/12-50 |
| 78124300 | 1 | CYLINDER 60/25 X 635 DELTA L |
| 78124600 | 1 | CYLINDER DOUBLE Ø40/20-300 90° |
| 78125100 | 1 | DBL CYL D70/40-320 AIR INLET R |
| 78125300 | 1 | CYL DOB.D70/40-265 AIR INLET L |
| 78125500 | 1 | CYLINDER 60/25 X 662 NAV PAR R |
| 78125600 | 1 | SIN.CYL.Ø60/25_725_2XØ25 RIGHT |
| 78125700 | 1 | CYLINDER 60/25 X 635 DELTA R |
| 78126000 | 1 | CYLINDER,DAMPNER, LOCKING |
| 78126400 | 1 | CYLINDER DBLE D32/16-200 W.STP |
| 78128000 | 1 | CYLINDER DOUB. D60/30 L=300 09 |
| 78128800 | 1 | CYLINDER, D50/30-500 |



IMPORTANT!
BSP hoses require BSP fittings
ORFS hoses require ORFS fittings



| |
|---|
| 1/4" ORFS Hoses require 9/16" ORFS Fittings |
| 3/8" ORFS Hoses require 11/16" ORFS Fittings |
| 1/2" ORFS Hoses require 13/16" ORFS Fittings |
| 3/4" ORFS Hoses require 1-3/16" ORFS Fittings |



7

| ORFS Hose | BSP Fitting | ORFS Fitting |
|-----------|-------------|--------------|
| 1/4" | 1/4" | 9/16" |
| 3/8" | 3/8" | 11/16" |
| 1/2" | 1/2" | 13/16" |
| 3/4" | 3/4" | 1-3/16" |
| 1" | 1" | 1-1/4" |
| 1 1/4" | 1 1/4" | 1-7/8" |
| 1 1/2" | 1 1/2" | 1-11/16" |
| 1 3/4" | 1 3/4" | 1-13/16" |
| 2" | 2" | 1-15/16" |
| 2 1/2" | 2 1/2" | 1-11/4" |
| 3" | 3" | 1-13/8" |
| 3 1/2" | 3 1/2" | 1-15/8" |
| 4" | 4" | 1-17/8" |
| 4 1/2" | 4 1/2" | 1-19/8" |
| 5" | 5" | 1-21/8" |
| 5 1/2" | 5 1/2" | 1-23/8" |
| 6" | 6" | 1-25/8" |
| 6 1/2" | 6 1/2" | 1-27/8" |
| 7" | 7" | 1-29/8" |
| 7 1/2" | 7 1/2" | 1-31/8" |
| 8" | 8" | 1-33/8" |
| 8 1/2" | 8 1/2" | 1-35/8" |
| 9" | 9" | 1-37/8" |
| 9 1/2" | 9 1/2" | 1-39/8" |
| 10" | 10" | 1-41/8" |
| 10 1/2" | 10 1/2" | 1-43/8" |
| 11" | 11" | 1-45/8" |
| 11 1/2" | 11 1/2" | 1-47/8" |
| 12" | 12" | 1-49/8" |
| 12 1/2" | 12 1/2" | 1-51/8" |
| 13" | 13" | 1-53/8" |
| 13 1/2" | 13 1/2" | 1-55/8" |
| 14" | 14" | 1-57/8" |
| 14 1/2" | 14 1/2" | 1-59/8" |
| 15" | 15" | 1-61/8" |
| 15 1/2" | 15 1/2" | 1-63/8" |
| 16" | 16" | 1-65/8" |
| 16 1/2" | 16 1/2" | 1-67/8" |
| 17" | 17" | 1-69/8" |
| 17 1/2" | 17 1/2" | 1-71/8" |
| 18" | 18" | 1-73/8" |
| 18 1/2" | 18 1/2" | 1-75/8" |
| 19" | 19" | 1-77/8" |
| 19 1/2" | 19 1/2" | 1-79/8" |
| 20" | 20" | 1-81/8" |
| 20 1/2" | 20 1/2" | 1-83/8" |
| 21" | 21" | 1-85/8" |
| 21 1/2" | 21 1/2" | 1-87/8" |
| 22" | 22" | 1-89/8" |
| 22 1/2" | 22 1/2" | 1-91/8" |
| 23" | 23" | 1-93/8" |
| 23 1/2" | 23 1/2" | 1-95/8" |
| 24" | 24" | 1-97/8" |
| 24 1/2" | 24 1/2" | 1-99/8" |
| 25" | 25" | 1-101/8" |
| 25 1/2" | 25 1/2" | 1-103/8" |
| 26" | 26" | 1-105/8" |
| 26 1/2" | 26 1/2" | 1-107/8" |
| 27" | 27" | 1-109/8" |
| 27 1/2" | 27 1/2" | 1-111/8" |
| 28" | 28" | 1-113/8" |
| 28 1/2" | 28 1/2" | 1-115/8" |
| 29" | 29" | 1-117/8" |
| 29 1/2" | 29 1/2" | 1-119/8" |
| 30" | 30" | 1-121/8" |
| 30 1/2" | 30 1/2" | 1-123/8" |
| 31" | 31" | 1-125/8" |
| 31 1/2" | 31 1/2" | 1-127/8" |
| 32" | 32" | 1-129/8" |
| 32 1/2" | 32 1/2" | 1-131/8" |
| 33" | 33" | 1-133/8" |
| 33 1/2" | 33 1/2" | 1-135/8" |
| 34" | 34" | 1-137/8" |
| 34 1/2" | 34 1/2" | 1-139/8" |
| 35" | 35" | 1-141/8" |
| 35 1/2" | 35 1/2" | 1-143/8" |
| 36" | 36" | 1-145/8" |
| 36 1/2" | 36 1/2" | 1-147/8" |
| 37" | 37" | 1-149/8" |
| 37 1/2" | 37 1/2" | 1-151/8" |
| 38" | 38" | 1-153/8" |
| 38 1/2" | 38 1/2" | 1-155/8" |
| 39" | 39" | 1-157/8" |
| 39 1/2" | 39 1/2" | 1-159/8" |
| 40" | 40" | 1-161/8" |
| 40 1/2" | 40 1/2" | 1-163/8" |
| 41" | 41" | 1-165/8" |
| 41 1/2" | 41 1/2" | 1-167/8" |
| 42" | 42" | 1-169/8" |
| 42 1/2" | 42 1/2" | 1-171/8" |
| 43" | 43" | 1-173/8" |
| 43 1/2" | 43 1/2" | 1-175/8" |
| 44" | 44" | 1-177/8" |
| 44 1/2" | 44 1/2" | 1-179/8" |
| 45" | 45" | 1-181/8" |
| 45 1/2" | 45 1/2" | 1-183/8" |
| 46" | 46" | 1-185/8" |
| 46 1/2" | 46 1/2" | 1-187/8" |
| 47" | 47" | 1-189/8" |
| 47 1/2" | 47 1/2" | 1-191/8" |
| 48" | 48" | 1-193/8" |
| 48 1/2" | 48 1/2" | 1-195/8" |
| 49" | 49" | 1-197/8" |
| 49 1/2" | 49 1/2" | 1-199/8" |
| 50" | 50" | 1-201/8" |
| 50 1/2" | 50 1/2" | 1-203/8" |
| 51" | 51" | 1-205/8" |
| 51 1/2" | 51 1/2" | 1-207/8" |
| 52" | 52" | 1-209/8" |
| 52 1/2" | 52 1/2" | 1-211/8" |
| 53" | 53" | 1-213/8" |
| 53 1/2" | 53 1/2" | 1-215/8" |
| 54" | 54" | 1-217/8" |
| 54 1/2" | 54 1/2" | 1-219/8" |
| 55" | 55" | 1-221/8" |
| 55 1/2" | 55 1/2" | 1-223/8" |
| 56" | 56" | 1-225/8" |
| 56 1/2" | 56 1/2" | 1-227/8" |
| 57" | 57" | 1-229/8" |
| 57 1/2" | 57 1/2" | 1-231/8" |
| 58" | 58" | 1-233/8" |
| 58 1/2" | 58 1/2" | 1-235/8" |
| 59" | 59" | 1-237/8" |
| 59 1/2" | 59 1/2" | 1-239/8" |
| 60" | 60" | 1-241/8" |
| 60 1/2" | 60 1/2" | 1-243/8" |
| 61" | 61" | 1-245/8" |
| 61 1/2" | 61 1/2" | 1-247/8" |
| 62" | 62" | 1-249/8" |
| 62 1/2" | 62 1/2" | 1-251/8" |
| 63" | 63" | 1-253/8" |
| 63 1/2" | 63 1/2" | 1-255/8" |
| 64" | 64" | 1-257/8" |
| 64 1/2" | 64 1/2" | 1-259/8" |
| 65" | 65" | 1-261/8" |
| 65 1/2" | 65 1/2" | 1-263/8" |
| 66" | 66" | 1-265/8" |
| 66 1/2" | 66 1/2" | 1-267/8" |
| 67" | 67" | 1-269/8" |
| 67 1/2" | 67 1/2" | 1-271/8" |
| 68" | 68" | 1-273/8" |
| 68 1/2" | 68 1/2" | 1-275/8" |
| 69" | 69" | 1-277/8" |
| 69 1/2" | 69 1/2" | 1-279/8" |
| 70" | 70" | 1-281/8" |
| 70 1/2" | 70 1/2" | 1-283/8" |
| 71" | 71" | 1-285/8" |
| 71 1/2" | 71 1/2" | 1-287/8" |
| 72" | 72" | 1-289/8" |
| 72 1/2" | 72 1/2" | 1-291/8" |
| 73" | 73" | 1-293/8" |
| 73 1/2" | 73 1/2" | 1-295/8" |
| 74" | 74" | 1-297/8" |
| 74 1/2" | 74 1/2" | 1-299/8" |
| 75" | 75" | 1-301/8" |
| 75 1/2" | 75 1/2" | 1-303/8" |
| 76" | 76" | 1-305/8" |
| 76 1/2" | 76 1/2" | 1-307/8" |
| 77" | 77" | 1-309/8" |
| 77 1/2" | 77 1/2" | 1-311/8" |
| 78" | 78" | 1-313/8" |
| 78 1/2" | 78 1/2" | 1-315/8" |
| 79" | 79" | 1-317/8" |
| 79 1/2" | 79 1/2" | 1-319/8" |
| 80" | 80" | 1-321/8" |
| 80 1/2" | 80 1/2" | 1-323/8" |
| 81" | 81" | 1-325/8" |
| 81 1/2" | 81 1/2" | 1-327/8" |
| 82" | 82" | 1-329/8" |
| 82 1/2" | 82 1/2" | 1-331/8" |
| 83" | 83" | 1-333/8" |
| 83 1/2" | 83 1/2" | 1-335/8" |
| 84" | 84" | 1-337/8" |
| 84 1/2" | 84 1/2" | 1-339/8" |
| 85" | 85" | 1-341/8" |
| 85 1/2" | 85 1/2" | 1-343/8" |
| 86" | 86" | 1-345/8" |
| 86 1/2" | 86 1/2" | 1-347/8" |
| 87" | 87" | 1-349/8" |
| 87 1/2" | 87 1/2" | 1-351/8" |
| 88" | 88" | 1-353/8" |
| 88 1/2" | 88 1/2" | 1-355/8" |
| 89" | 89" | 1-357/8" |
| 89 1/2" | 89 1/2" | 1-359/8" |
| 90" | 90" | 1-361/8" |
| 90 1/2" | 90 1/2" | 1-363/8" |
| 91" | 91" | 1-365/8" |
| 91 1/2" | 91 1/2" | 1-367/8" |
| 92" | 92" | 1-369/8" |
| 92 1/2" | 92 1/2" | 1-371/8" |
| 93" | 93" | 1-373/8" |
| 93 1/2" | 93 1/2" | 1-375/8" |
| 94" | 94" | 1-377/8" |
| 94 1/2" | 94 1/2" | 1-379/8" |
| 95" | 95" | 1-381/8" |
| 95 1/2" | 95 1/2" | 1-383/8" |
| 96" | 96" | 1-385/8" |
| 96 1/2" | 96 1/2" | 1-387/8" |
| 97" | 97" | 1-389/8" |
| 97 1/2" | 97 1/2" | 1-391/8" |
| 98" | 98" | 1-393/8" |
| 98 1/2" | 98 1/2" | 1-395/8" |
| 99" | 99" | 1-397/8" |
| 99 1/2" | 99 1/2" | 1-399/8" |
| 100" | 100" | 1-401/8" |

8

| ORFS Hose | BSP Fitting | ORFS Fitting |
|-----------|-------------|--------------|
| 1/4" | 1/4" | 9/16" |
| 3/8" | 3/8" | 11/16" |
| 1/2" | 1/2" | 13/16" |
| 3/4" | 3/4" | 1-3/16" |
| 1" | 1" | 1-1/4" |
| 1 1/4" | 1 1/4" | 1-7/8" |
| 1 1/2" | 1 1/2" | 1-11/16" |
| 1 3/4" | 1 3/4" | 1-13/16" |
| 2" | 2" | 1-15/16" |
| 2 1/2" | 2 1/2" | 1-11/4" |
| 3" | 3" | 1-13/8" |
| 3 1/2" | 3 1/2" | 1-15/8" |
| 4" | 4" | 1-17/8" |
| 4 1/2" | 4 1/2" | 1-19/8" |
| 5" | 5" | 1-21/8" |
| 5 1/2" | 5 1/2" | 1-23/8" |
| 6" | 6" | 1-25/8" |
| 6 1/2" | 6 1/2" | 1-27/8" |
| 7" | 7" | 1-29/8" |
| 7 1/2" | 7 1/2" | 1-31/8" |
| 8" | 8" | 1-33/8" |
| 8 1/2" | 8 1/2" | 1-35/8" |
| 9" | 9" | 1-37/8" |
| 9 1/2" | 9 1/2" | 1-39/8" |
| 10" | 10" | 1-41/8" |
| 10 1/2" | 10 1/2" | 1-43/8" |
| 11" | 11" | 1-45/8" |
| 11 1/2" | 11 1/2" | 1-47/8" |
| 12" | 12" | 1-49/8" |
| 12 1/2" | 12 1/2" | 1-51/8" |
| 13" | 13" | 1-53/8" |
| 13 1/2" | 13 1/2" | 1-55/8" |
| 14" | 14" | 1-57/8" |
| 14 1/2" | 14 1/2" | 1-59/8" |
| 15" | 15" | 1-61/8" |
| 15 1/2" | 15 1/2" | 1-63/8" |
| 16" | 16" | 1-65/8" |
| 16 1/2" | 16 1/2" | 1-67/8" |
| 17" | 17" | 1-69/8" |
| 17 1/2" | 17 1/2" | 1-71/8" |
| 18" | 18" | 1-73/8" |
| 18 1/2" | 18 1/2" | 1-75/8" |
| 19" | 19" | 1-77/8" |
| 19 1/2" | 19 1/2" | 1-79/8" |
| 20" | 20" | 1-81/8" |
| 20 1/2" | 20 1/2" | 1-83/8" |
| 21" | 21" | 1-85/8" |
| 21 1/2" | 21 1/2" | 1-87/8" |
| 22" | 22" | 1-89/8" |
| 22 1/2" | 22 1/2" | 1-91/8" |
| 23" | 23" | 1-93/8" |
| 23 1/2" | 23 1/2" | 1-95/8" |
| 24" | 24" | 1-97/8" |
| 24 1/2" | 24 1/2" | 1-99/8" |
| 25" | 25" | 1-101/8" |
| 25 1/2" | 25 1/2" | 1-103/8" |
| 26" | 26" | 1-105/8" |
| 26 1/2" | 26 1/2" | 1-107/8" |
| 27" | 27" | 1-109/8" |
| 27 1/2" | 27 1/2" | 1-111/8" |
| 28" | 28" | 1-113/8" |
| 28 1/2" | 28 1/2" | 1-115/8" |
| 29" | 29" | 1-117/8" |
| 29 1/2" | 29 1/2" | 1-119/8" |
| 30" | 30" | 1-121/8" |
| 30 1/2" | 30 1/2" | 1-123/8" |
| 31" | 31" | 1-125/8" |
| 31 1/2" | 31 1/2" | 1-127/8" |
| 32" | 32" | 1-129/8" |
| 32 1/2" | 32 1/2" | 1-131/8" |
| 33" | 33" | 1-133/8" |
| 33 1/2" | 33 1/2" | 1-135/8" |
| 34" | 34" | 1-137/8" |
| 34 1/2" | 34 1/2" | 1-139/8" |
| 35" | 35" | 1-141/8" |
| 35 1/2" | 35 1/2" | 1-143/8" |
| 36" | 36" | 1-145/8" |
| 36 1/2" | 36 1/2" | 1-147/8" |
| 37" | 37" | 1-149/8" |
| 37 1/2" | 37 1/2" | 1-151/8" |
| 38" | 38" | 1-153/8" |
| 38 1/2" | 38 1/2" | 1-155/8" |
| 39" | 39" | 1-157/8" |
| 39 1/2" | 39 1/2" | 1-159/8" |
| 40" | 40" | 1-161/8" |
| 40 1/2" | 40 1/2" | 1-163/8" |
| 41" | 41" | 1-165/8" |
| 41 1/2" | 41 1/2" | 1-167/8" |
| 42" | 42" | 1-169/8" |
| 42 1/2" | 42 1/2" | 1-171/8" |
| 43" | 43" | 1-173/8" |
| 43 1/2" | 43 1/2" | 1-175/8" |
| 44" | 44" | 1-177/8" |
| 44 1/2" | 44 1/2" | 1-179/8" |
| 45" | 45" | 1-181/8" |
| 45 1/2" | 45 1/2" | 1-183/8" |
| 46" | 46" | 1-185/8" |
| 46 1/2" | 46 1/2" | 1-187/8" |
| 47" | 47" | 1-189/8" |
| 47 1/2" | 47 1/2" | 1-191/8" |
| 48" | 48" | 1-193/8" |
| 48 1/2" | 48 1/2" | 1-195/8" |
| 49" | 49" | 1-197/8" |
| 49 1/2" | 49 1/2" | 1-199/8" |
| 50" | 50" | 1-201/8" |
| 50 1/2" | 50 1/2" | 1-203/8" |
| 51" | 51" | 1-205/8" |
| 51 1/2" | 51 1/2" | 1-207/8" |
| 52" | 52" | 1-209/8" |
| 52 1/2" | 52 1/2" | 1-211/8" |
| 53" | 53" | 1-213/8" |
| 53 1/2" | 53 1/2" | 1-215/8" |
| 54" | 54" | 1-217/8" |
| 54 1/2" | 54 1/2" | 1-219/8" |
| 55" | 55" | 1-221/8" |
| 55 1/2" | 55 1/2" | 1-223/8" |
| 56" | 56" | 1-225/8" |
| 56 1/2" | 56 1/2" | 1-227/8" |
| 57" | 57" | 1-229/8" |
| 57 1/2" | 57 1/2" | 1-231/8" |
| 58" | 58" | 1-233/8" |
| 58 1/2" | 58 1/2" | 1-235/8" |
| 59" | 59" | 1-237/8" |
| 59 1/2" | 59 1/2" | 1-239/8" |
| 60" | 60" | 1-241/8" |
| 60 1/2" | 60 1/2" | 1-243/8" |
| 61" | 61" | 1-245/ |

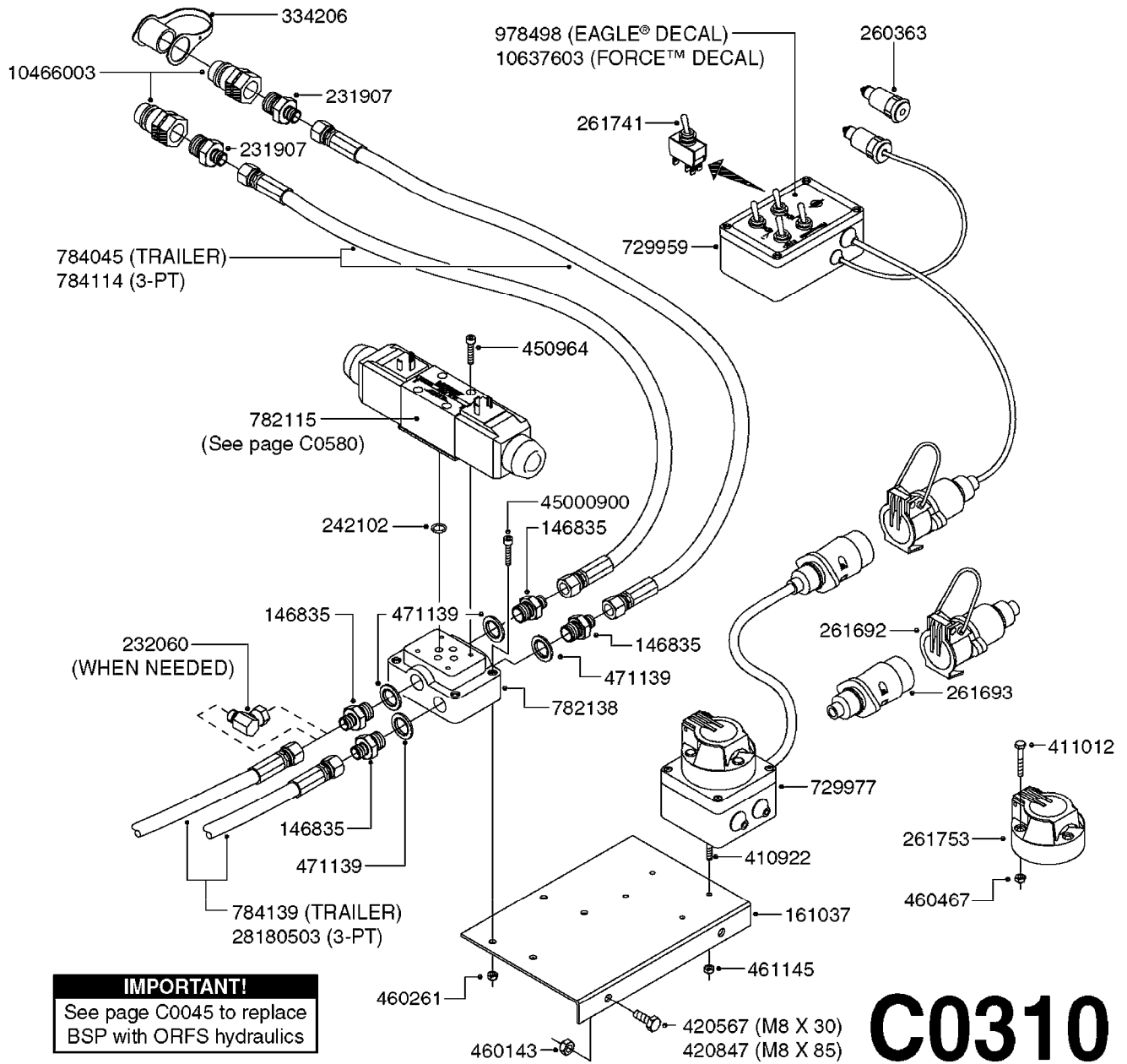


HYDRAULICS - BSP TO ORFS
C0045-HIN, 24:03:16

Page 1

Date 04.11.2017 13:49

| Pos. | parts-n° | order qty | description |
|------|----------|-----------|--|
| 1 | 10466003 | 1 | COUPLER PIONEER 8010-04 1/2NPT |
| 2 | 231907 | 1 | HEX NIPPLE 1/4"BSP X 1/2"NPT |
| 2 | 231906 | 1 | HEX NIPPLE 3/8"BSP X 1/2"NPT |
| 2 | 147132 | 1 | HEX NIPPLE 1/2"X1/2" BSP DEL |
| 3 | 230311 | 1 | QUICK COUPLING 1/2" |
| 4 | 241356 | 1 | DOWTYSEAL 1/2" |
| 5 | 23234800 | 1 | HEX NIPPLE 1/2"-9/16" ORFS FITTING FOR 1/4" HOSE |
| 5 | 23234900 | 1 | HEX NIPPLE 1/2"-11/16" ORFS FITTING FOR 3/8" HOSE |
| 5 | 23235300 | 1 | HEX NIPPLE 1/2"-13/16" ORFS FITTING FOR 1/2" HOSE |
| 6 | 242102 | 1 | O-RING Ø9.25X1.78 NITRIL 90SH |
| 6 | 24263200 | 1 | O-RING Ø7.66X1.78 NITRIL 90SH |
| 6 | 24263300 | 1 | O-RING Ø12.42X1.78 NITRIL 90SH |
| 6 | 24263400 | 1 | O-RING Ø18.77X1.78 NITRIL 90SH |
| 7 | 67002403 | 1 | CHART - BSP TO ORFS HOSES |
| 8 | 67002503 | 1 | CHART - BSP TO ORFS FITTINGS |





HYDRAULICS EAGLE/FORCE DH
C0310-HIN, 30:03:16

Page 1

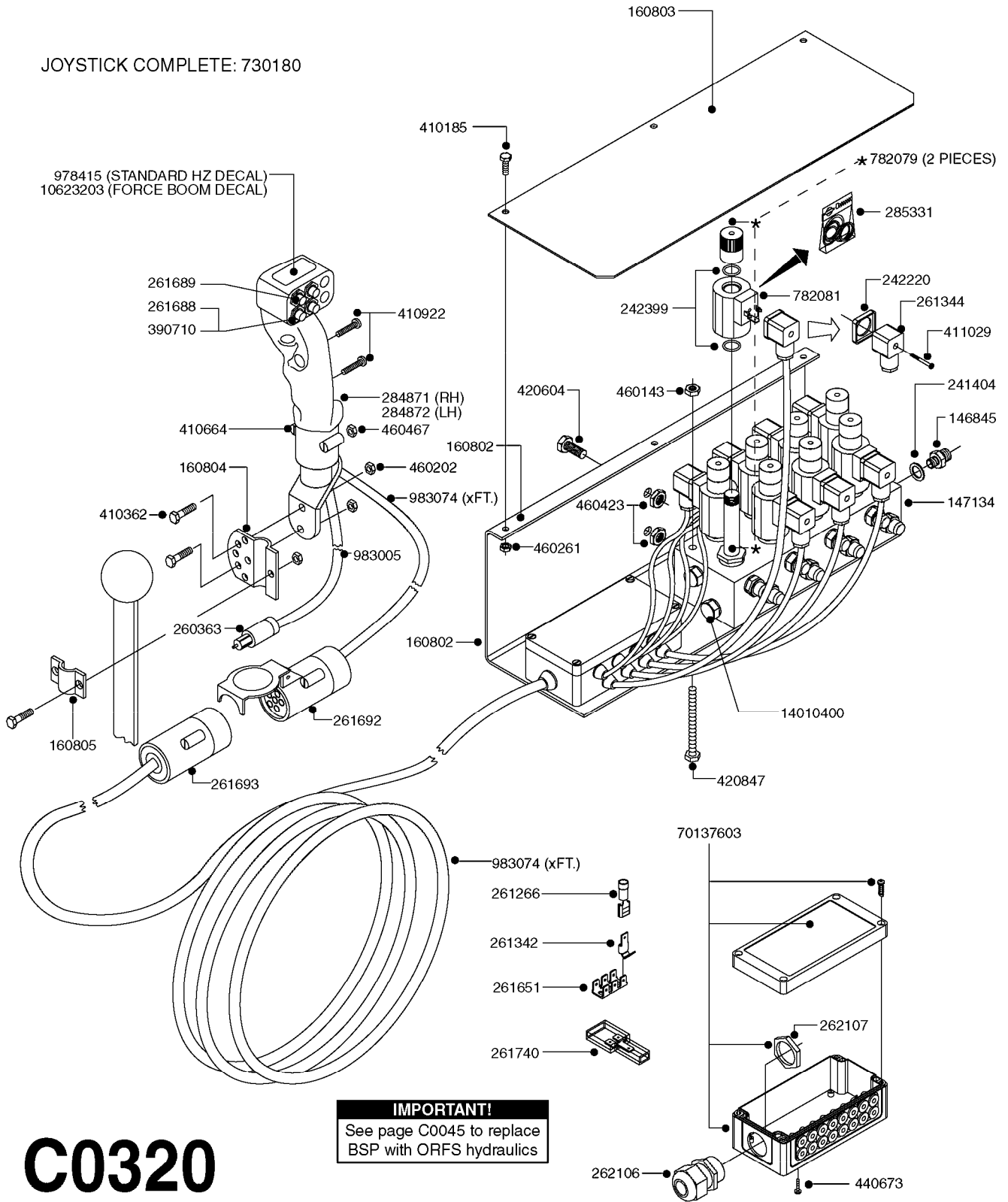
Date 04.11.2017 13:49

| parts-n° | order qty | description |
|----------|-----------|-----------------------------------|
| 146835 | 1 | ADAPTEUR BSP 1/4" X 3/8" |
| 161037 | 1 | MOUNT PLATE F.DH VICKERS VALVE |
| 231907 | 1 | HEX NIPPLE 1/4"BSP X 1/2"NPT |
| 232060 | 1 | HY.ELBOW 1/4" BSP SWIVEL |
| 242102 | 1 | O-RING Ø9.25X1.78 NITRIL 90SH |
| 260363 | 1 | PLUG 2 POLE 12V |
| 261692 | 1 | PLUG ELEC.7 POLE FEMALE F.CABL |
| 261693 | 1 | PLUG ELEC. 7 POLE MALE |
| 261741 | 1 | SWITCH 2 POLE 12V TOGGLE PRESS |
| 261753 | 1 | PLUG ELEC.7 POLE FEMALE F.BASE |
| 334206 | 1 | DUST HOOD FOR HY-COUPLING |
| 410922 | 1 | CYL.SKR 8.8 DEL M4X20 RST |
| 411012 | 1 | SCREW M5X30 STAINLESS |
| 420567 | 1 | BOLT HEX 8.8 DEL M8X30 FT |
| 420847 | 1 | BOLT HEX 8.8 DEL M8X85 |
| 450964 | 1 | SCREW M5X30 F.CYLINDER |
| 460143 | 1 | NUT HEX M8X1.25 LOCK DIN985A2 SS |
| 460261 | 1 | NUT HEX M6X1.00 LOCK DIN985 A2 SS |
| 460467 | 1 | NUT HEX M5 GALV. |
| 461145 | 1 | NUT HEX M4 LOCK |
| 471139 | 1 | WASHER D22/D17X1.5 BRASS |
| 729959 | 1 | CONTROL BOX DAH 4-FUNCTION |
| 729977 | 1 | DAH DIRECTIONAL VLV JUNC. BOX |
| 782115 | 1 | HY SOLENOID VALVE DH HYD |
| 782138 | 1 | HY-BLOCK 1-VALVE W LS-PORT |
| 784045 | 1 | HOSE HY X 1/4 X 157.50"STR+STR |
| 784114 | 1 | HOSE HY X 1/4 X 80.7" STR+STR |
| 784139 | 1 | HOSE HY X 1/4 X 216.50"STR+STR |
| 978498 | 1 | DECAL SWITCH BOX DH HYD. |
| 10466003 | 1 | COUPLER PIONEER 8010-04 1/2NPT |
| 10637603 | 1 | DECAL F.SWITCH BOX - FORCE |
| 28180503 | 1 | HOSE HY X1/4X126.00'STR+STR |
| 45000900 | 1 | BOLT ALLEN HEAD M6 X 60 SS |



JOYSTICK COMPLETE: 730180

978415 (STANDARD HZ DECAL)
10623203 (FORCE BOOM DECAL)



IMPORTANT!
See page C0045 to replace
BSP with ORFS hydraulics

C0320



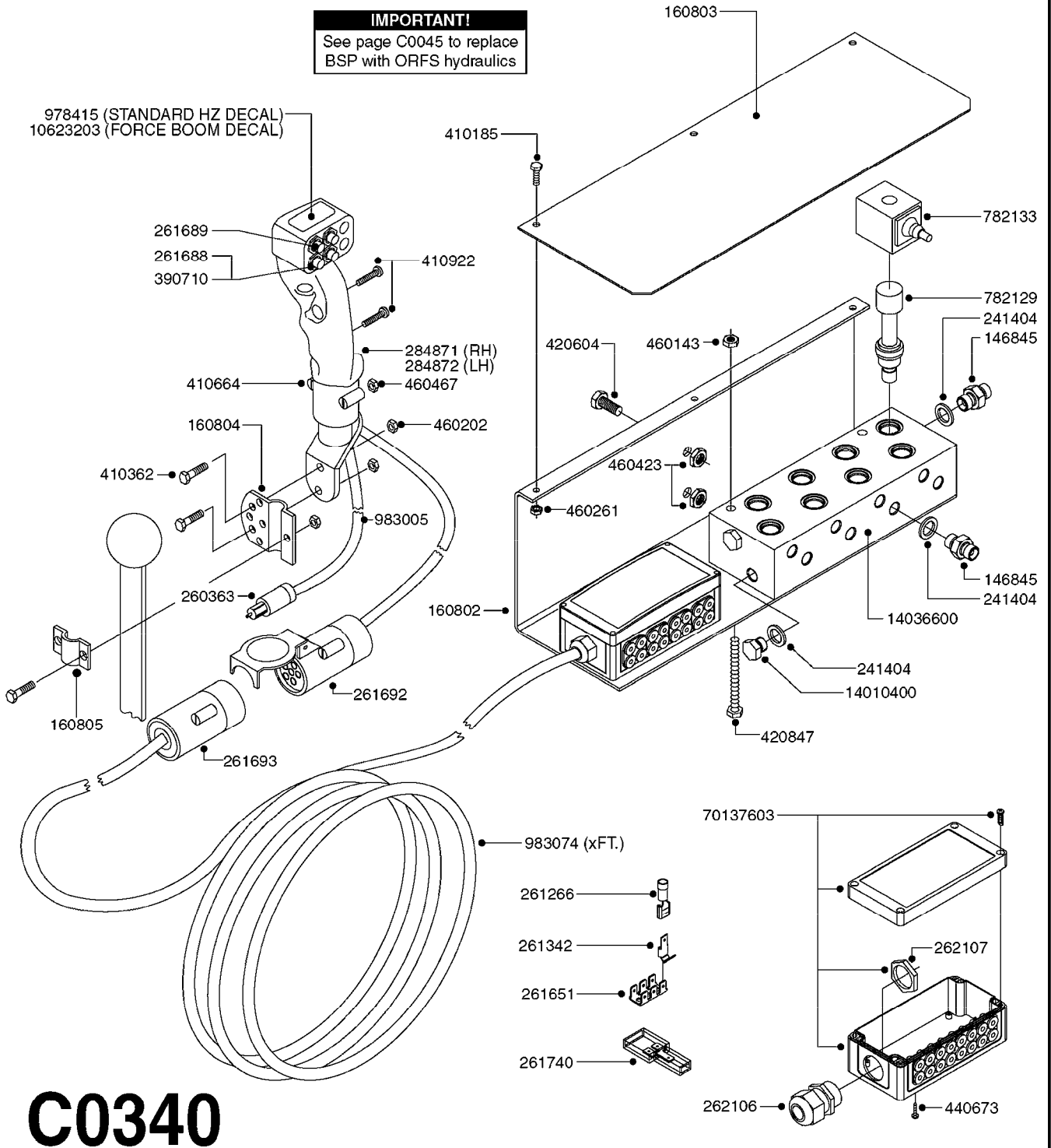
HYD EAGLE HZ JOYSTICK CONTROL
C0320-HIN, 30:03:16

Page 1
Date 04.11.2017 13:49

| parts-n° | order qty | description |
|----------|-----------|-----------------------------------|
| 146845 | 1 | HEX NIPPLE 1/4"X1/4" |
| 147134 | 1 | MANIFOLD 4-FUNCTION |
| 160802 | 1 | MOUNT PLATE F.HYD SOLENOID'HZ' |
| 160803 | 1 | COVER PLATE F.HYD SOLENOID'HZ' |
| 160804 | 1 | MOUNT BRACKET F.HANDLE |
| 160805 | 1 | MOUNT STRAP F.HANDLE |
| 241404 | 1 | DOWTY SEAL 1/4" |
| 242220 | 1 | GASKET F. HIRSMANN PLUG |
| 242399 | 1 | O-RING F.HYD SOLENOID VALVE |
| 260363 | 1 | PLUG 2 POLE 12V |
| 261266 | 1 | CONNECTOR END F.CABLE HP |
| 261342 | 1 | SPADE F.ELEC.3 WAY CONNECTOR |
| 261344 | 1 | HIRSCHMANN PLUG B |
| 261651 | 1 | SPADE F.ELEC.6 POLE CONNECTOR |
| 261688 | 1 | SWITCH F. HANDLE WHITE |
| 261689 | 1 | CAP RUBBER F. SWITCH JOYSTICK |
| 261692 | 1 | PLUG ELEC.7 POLE FEMALE F.CABL |
| 261693 | 1 | PLUG ELEC. 7 POLE MALE |
| 261740 | 1 | SPADE F.ELEC.3 POLE CONN.INSUL |
| 262106 | 1 | BULKHEAD F. CABLE 6.5-14 BLACK |
| 262107 | 1 | NUT F. BULKHEAD CABLE BLACK |
| 284871 | 1 | CONTROL HANDLE RIGHT HALF |
| 284872 | 1 | CONTROL HANDLE LEFT HALF |
| 285331 | 1 | SEAL KIT F. HZ HYD.SOLENOID 96 |
| 390710 | 1 | SWITCH F.HANDLE GREY MACHINED |
| 410185 | 1 | BOLT HEX 8.8 DEL M6X16 |
| 410362 | 1 | BOLT HEX 8.8 SS M6X20 |
| 410664 | 1 | BOLT HEX M5 X 20 |
| 410922 | 1 | CYL.SKR 8.8 DEL M4X20 RST |
| 411029 | 1 | SCREW M3X35 F.HIRSMANN PLUG |
| 420604 | 1 | BOLT HEX 8.8 DEL M10X25 FT DIN933 |
| 420847 | 1 | BOLT HEX 8.8 DEL M8X85 |
| 440673 | 1 | SCREW F.PLASTIC 5X12 SS |
| 460143 | 1 | NUT HEX M8X1.25 LOCK DIN985A2 SS |
| 460202 | 1 | NUT HEX M6 |
| 460261 | 1 | NUT HEX M6X1.00 LOCK DIN985 A2 SS |
| 460423 | 1 | NUT HEX M10X1.50 LOCK DIN985A2 SS |
| 460467 | 1 | NUT HEX M5 GALV. |
| 730180 | 1 | HYD.KIT JOYSTICK CTRL HANDLE |
| 782079 | 1 | CARTRIDGE VALVE |
| 782081 | 1 | SOLENOID F. CARTRIDGE VALVE |
| 978415 | 1 | DECAL CONTROL HANDLE |
| 983005 | 1 | ELEC. CABLE 2 WIRE X 1.5MM |
| 983074 | 1 | ELEC. CABLE 5 WIRE X 1.5MM |
| 10623203 | 1 | DECAL F.JOYSTICK - FORCE |
| 14010400 | 1 | PLUG 1/4" BSP |
| 70137603 | 1 | JUNC. BOX, FLUID, COMPLETE, 2015 |



IMPORTANT!
See page C0045 to replace
BSP with ORFS hydraulics



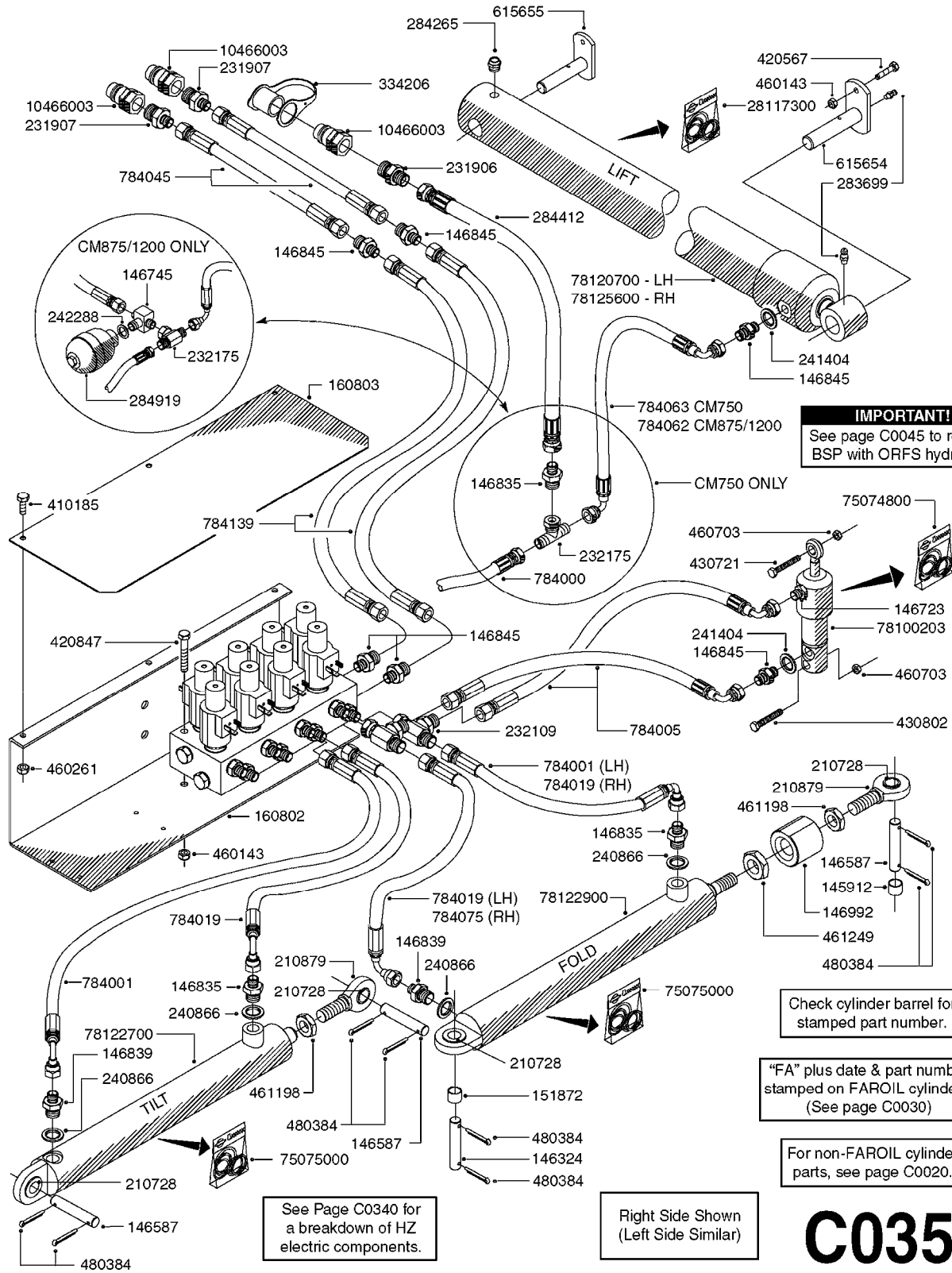
C0340



HYD EAGLE HZ JOYSTICK 2005
C0340-HIN, 30:03:16

Page 1
Date 04.11.2017 13:49

| parts-n° | order qty | description |
|----------|-----------|-----------------------------------|
| 146845 | 1 | HEX NIPPLE 1/4"X1/4" |
| 160802 | 1 | MOUNT PLATE F.HYD SOLENOID'HZ' |
| 160803 | 1 | COVER PLATE F.HYD SOLENOID'HZ' |
| 160804 | 1 | MOUNT BRACKET F.HANDLE |
| 160805 | 1 | MOUNT STRAP F.HANDLE |
| 241404 | 1 | DOWTY SEAL 1/4" |
| 260363 | 1 | PLUG 2 POLE 12V |
| 261266 | 1 | CONNECTOR END F.CABLE HP |
| 261342 | 1 | SPADE F.ELEC.3 WAY CONNECTOR |
| 261651 | 1 | SPADE F.ELEC.6 POLE CONNECTOR |
| 261688 | 1 | SWITCH F. HANDLE WHITE |
| 261689 | 1 | CAP RUBBER F. SWITCH JOYSTICK |
| 261692 | 1 | PLUG ELEC.7 POLE FEMALE F.CABL |
| 261693 | 1 | PLUG ELEC. 7 POLE MALE |
| 261740 | 1 | SPADE F.ELEC.3 POLE CONN.INSUL |
| 262106 | 1 | BULKHEAD F. CABLE 6.5-14 BLACK |
| 262107 | 1 | NUT F. BULKHEAD CABLE BLACK |
| 284871 | 1 | CONTROL HANDLE RIGHT HALF |
| 284872 | 1 | CONTROL HANDLE LEFT HALF |
| 390710 | 1 | SWITCH F.HANDLE GREY MACHINED |
| 410185 | 1 | BOLT HEX 8.8 DEL M6X16 |
| 410362 | 1 | BOLT HEX 8.8 SS M6X20 |
| 410664 | 1 | BOLT HEX M5 X 20 |
| 410922 | 1 | CYL.SKR 8.8 DEL M4X20 RST |
| 420604 | 1 | BOLT HEX 8.8 DEL M10X25 FT DIN933 |
| 420847 | 1 | BOLT HEX 8.8 DEL M8X85 |
| 440673 | 1 | SCREW F.PLASTIC 5X12 SS |
| 460143 | 1 | NUT HEX M8X1.25 LOCK DIN985A2 SS |
| 460202 | 1 | NUT HEX M6 |
| 460261 | 1 | NUT HEX M6X1.00 LOCK DIN985 A2 SS |
| 460423 | 1 | NUT HEX M10X1.50 LOCK DIN985A2 SS |
| 460467 | 1 | NUT HEX M5 GALV. |
| 782129 | 1 | SOLENOID VALVE 25L, 3/4"NC |
| 782133 | 1 | SOLENOID W.CABLE F.VALVE782129 |
| 978415 | 1 | DECAL CONTROL HANDLE |
| 983005 | 1 | ELEC. CABLE 2 WIRE X 1.5MM |
| 983074 | 1 | ELEC. CABLE 5 WIRE X 1.5MM |
| 10623203 | 1 | DECAL F.JOYSTICK - FORCE |
| 14010400 | 1 | PLUG 1/4" BSP |
| 14036600 | 1 | MANIFOLD 4-FUNCTION SPC 2004 |
| 70137603 | 1 | JUNC. BOX, FLUID, COMPLETE, 2015 |



IMPORTANT!
See page C0045 to replace
BSP with ORFS hydraulics

Check cylinder barrel for
stamped part number.

"FA" plus date & part number
stamped on FAROIL cylinders.
(See page C0030)

For non-FAROIL cylinder
parts, see page C0020.

See Page C0340 for
a breakdown of HZ
electric components.

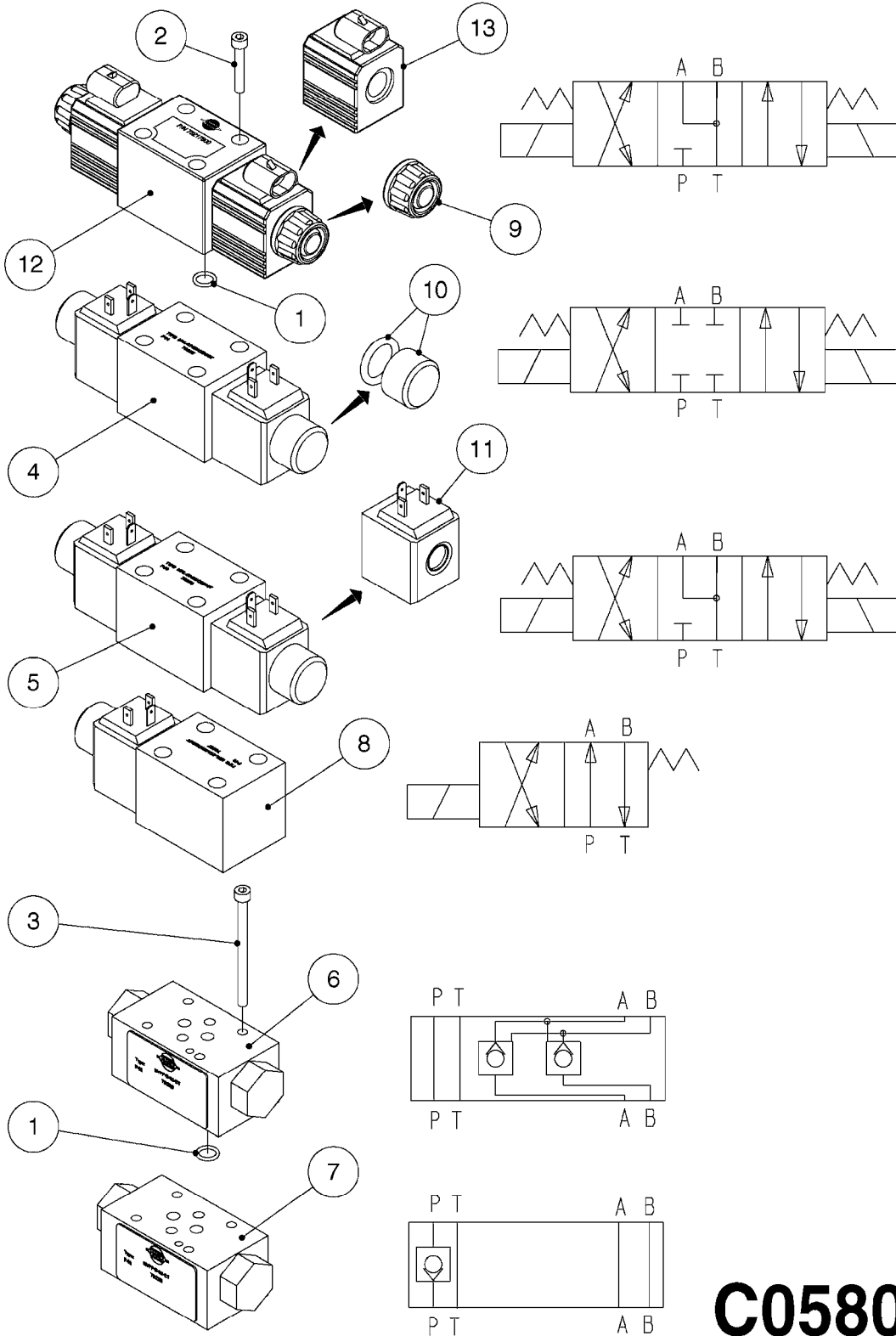
Right Side Shown
(Left Side Similar)

C0350



HYD EAGLE HZ SPB 45'-66' - CM
C0350-HIN, 30:03:16

| parts-n° | order qty | description |
|----------|-----------|-------------------------------------|
| 145912 | 1 | BUSHING D19.8/D17.0X7MM |
| 146324 | 1 | SHAFT D16.8 L102/2 X 5 |
| 146587 | 1 | PIN D16.8 X 65 |
| 146723 | 1 | HEX NIPPLE 1/4" - 1/8" BSP |
| 146745 | 1 | TEE BLOCK M18X1.5-3/8"X1/4" |
| 146835 | 1 | ADAPTEUR BSP 1/4" X 3/8" |
| 146839 | 1 | HEX NIPPLE 1/4"X3/8" BSP 0.7MM |
| 146845 | 1 | HEX NIPPLE 1/4"X1/4" |
| 146992 | 1 | BUSHING F.CYLINDER |
| 151872 | 1 | BUSHING D22.0/18.0 10MM |
| 160802 | 1 | MOUNT PLATE F.HYD SOLENOID'HZ' |
| 160803 | 1 | COVER PLATE F.HYD SOLENOID'HZ' |
| 210728 | 1 | BEARING F.LINK HEAD M17 |
| 210879 | 1 | LINK HEAD M16 x D17 |
| 231906 | 1 | HEX NIPPLE 3/8"BSP X 1/2"NPT |
| 231907 | 1 | HEX NIPPLE 1/4"BSP X 1/2"NPT |
| 232109 | 1 | FITT.HY TEE 1/4'BSP UNION |
| 232175 | 1 | TEE 1/4"M X 1/4"F X 1/4"M BSP |
| 240866 | 1 | DOWTYSEAL 3/8" |
| 241404 | 1 | DOWTY SEAL 1/4" |
| 242288 | 1 | SEAL F. HYD ACCUMULATOR TWIN |
| 283699 | 1 | GREASE NIPPLE M6X1 |
| 284265 | 1 | PLUG BREATHER 1/4" F/CYLINDER |
| 284412 | 1 | HOSE HY 3/8" X 315" STR+STR |
| 284919 | 1 | HYD. ACCUMULATOR F. CM875/1200 |
| 334206 | 1 | DUST HOOD FOR HY-COUPLING |
| 410185 | 1 | BOLT HEX 8.8 DEL M6X16 |
| 420567 | 1 | BOLT HEX 8.8 DEL M8X30 FT |
| 420847 | 1 | BOLT HEX 8.8 DEL M8X85 |
| 430721 | 1 | BOLT HEX 8.8 DEL M12X40 FT |
| 430802 | 1 | BOLT HEX 8.8 DEL M12X75 |
| 460143 | 1 | NUT HEX M8X1.25 LOCK DIN985A2 SS |
| 460261 | 1 | NUT HEX M6X1.00 LOCK DIN985 A2 SS |
| 460703 | 1 | NUT HEX M12X1.75 LOCK DIN985A2 SS |
| 461198 | 1 | NUT HEX M16X2 JAMB |
| 461249 | 1 | NUT HEX M22X1.5 |
| 480384 | 1 | PIN COTTER 3/16 x 1-1/2" |
| 615654 | 1 | PIN D25 X 123 F. PARALIFT |
| 615655 | 1 | PIN D25 X 156 F. PARALIFT |
| 784000 | 1 | HOSE HY X 1/4 X 118.00"STR+ELB |
| 784001 | 1 | HOSE HY X 1/4 X 067.00"STR+ELB |
| 784005 | 1 | HOSE HY X 1/4 X 037.38"STR+ELB |
| 784019 | 1 | HOSE HY X 1/4 X 078.75"STR+ELB |
| 784045 | 1 | HOSE HY X 1/4 X 157.50"STR+STR |
| 784062 | 1 | HOSE HY X 1/4 X 098.50"ELB+ELB |
| 784063 | 1 | HOSE HY X 1/4 X 086.62"ELB+ELB |
| 784075 | 1 | HOSE HY X 1/4 X 057.00" |
| 784139 | 1 | HOSE HY X 1/4 X 216.50"STR+STR |
| 10466003 | 1 | COUPLER PIONEER 8010-04 1/2NPT |
| 28117300 | 1 | SEAL KIT 78120600/07/43 |
| 75074800 | 1 | SEAL KIT 78123400/42 |
| | | SEAL KIT FOR 78100203 CYLINDER |
| 75075000 | 1 | SEAL KIT 78122600/27/28/29 |
| 78100203 | 1 | CYL. D25/12-50/72531000 W/BSP ADAPT |
| 78120700 | 1 | SIN.CYL.Ø60/25-725 2XØ25 LEFT |
| 78122700 | 1 | CYLINDER 40/22X300MM RED |
| 78122900 | 1 | CYLINDER 40/22X300MM RED |
| 78125600 | 1 | SIN.CYL.Ø60/25_725_2XØ25 RIGHT |



C0580

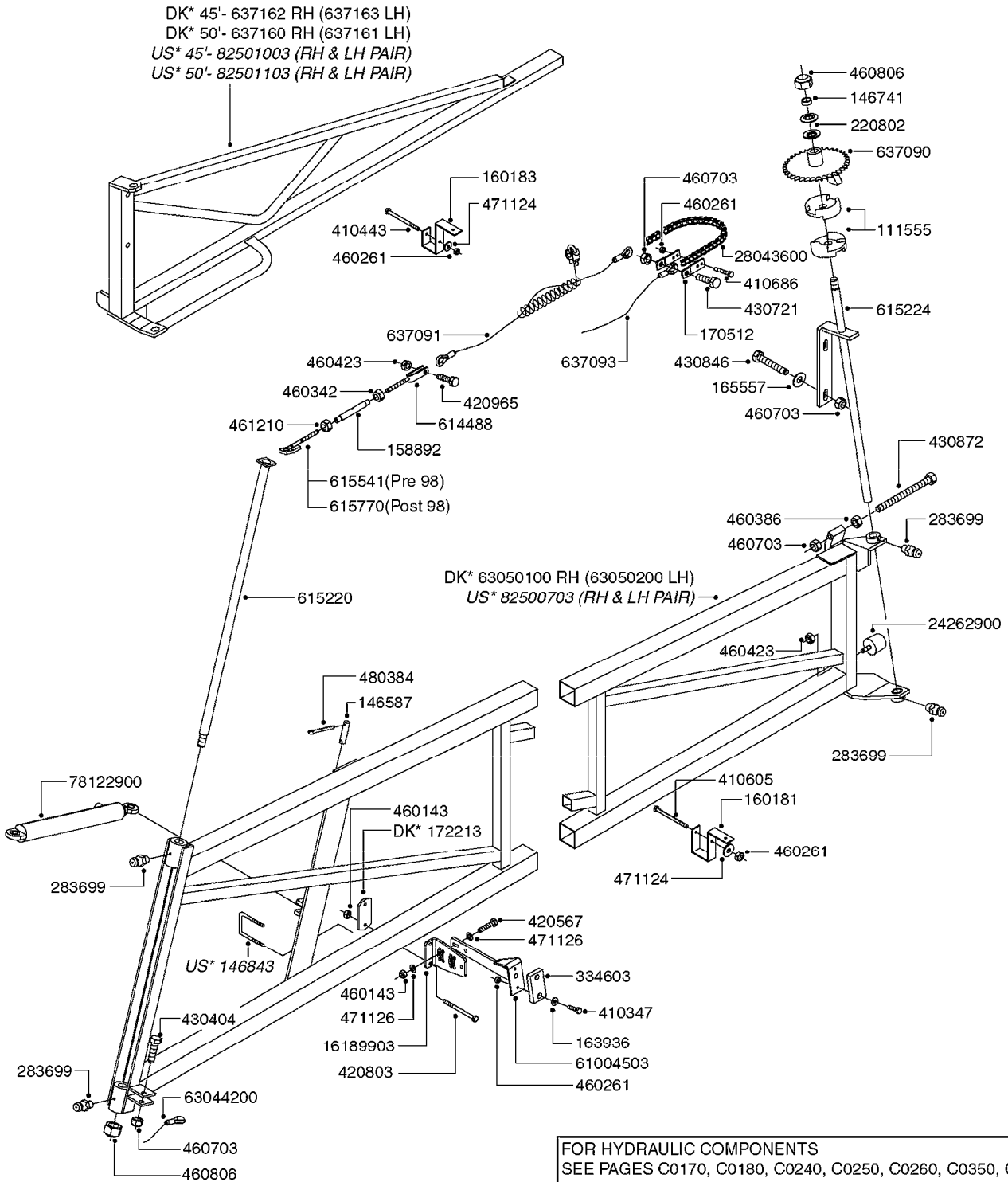


CETOP VALVES
C0580-HIN, 01:01:16

Page 1

Date 04.11.2017 13:50

| Pos. | parts-n° | order qty | description |
|------|----------|-----------|---------------------------------------|
| 1 | 242102 | 1 | O-RING Ø9.25X1.78 NITRIL 90SH |
| 2 | 450964 | 1 | SCREW M5X30 F.CYLINDER |
| 3 | 450965 | 1 | SCREW ROUND M5X70 |
| 4 | 782115 | 1 | HY SOLENOID VALVE DH HYD |
| 5 | 782116 | 1 | HY SOLENOID VALVE MD1L-S3/10N-D12K1/P |
| 6 | 782118 | 1 | LOCK VALVE MVPP-D |
| 7 | 782146 | 1 | HYD. CHECK VALVE 1 WAY |
| 8 | 782829 | 1 | SOLENOID MD1L-TA/10N-D12K1/DT |
| 9 | 28123700 | 1 | CAP F.SOLENOID - MD1L |
| 10 | 74187700 | 1 | CAP + O-RING F.CETOP - MD1L |
| 11 | 78216000 | 1 | SOLENOID F.CETOP VALVE - MD1L |
| 12 | 78217800 | 1 | MAGNET VLV.MD1L-S3/10N-D12K8DT |
| 13 | 78218200 | 1 | SOLENOID W/AMP F.MD1L |



FOR HYDRAULIC COMPONENTS
SEE PAGES C0170, C0180, C0240, C0250, C0260, C0350, C0360

D0260

DK* = DENMARK STEEL PARTS
US* = NORTH AMERICAN STEEL PARTS

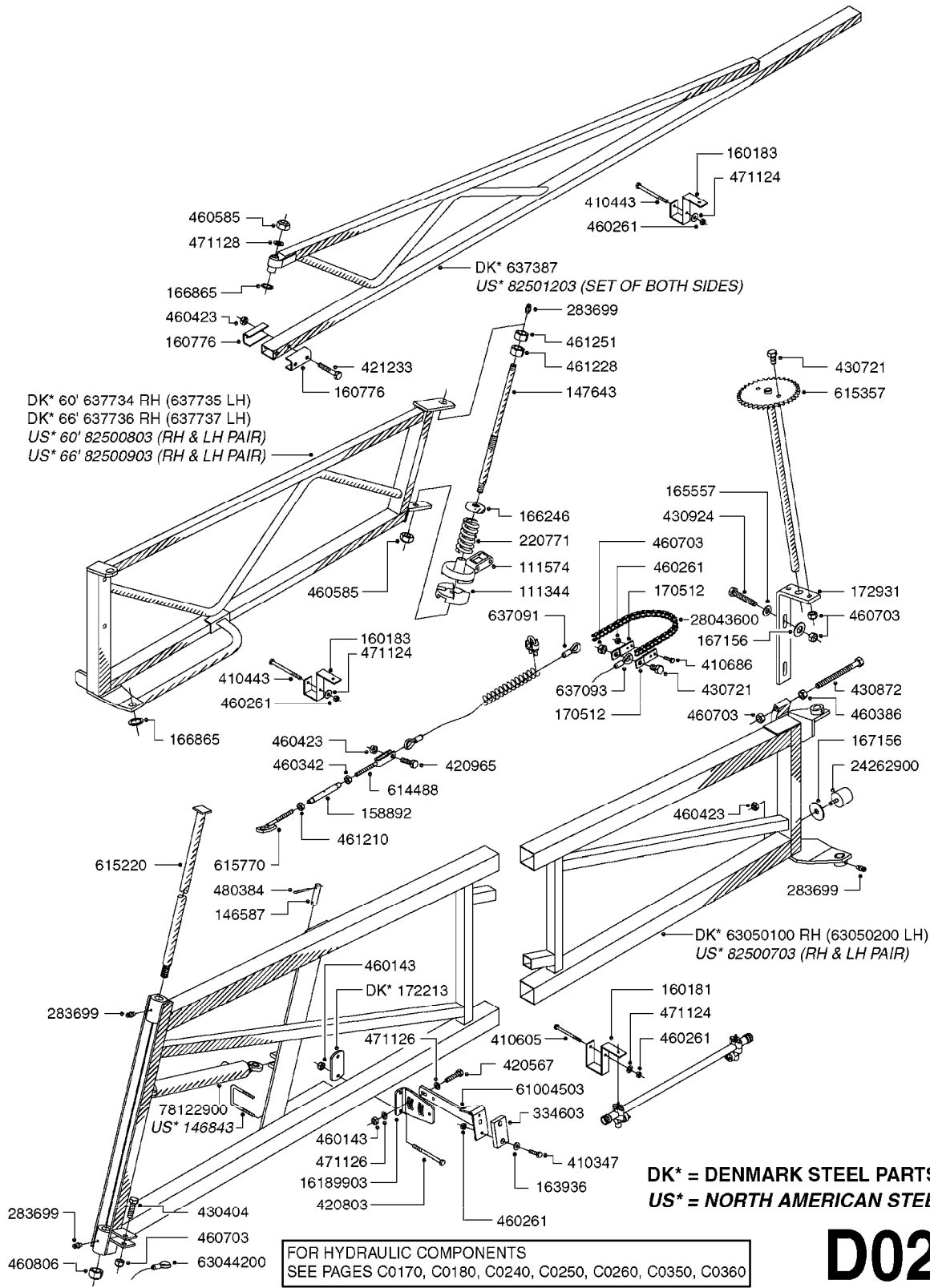


BOOM EAGLE WINGS 45' 50'
D0260-HIN, 01:01:16

Page 1

Date 04.11.2017 13:50

| parts-n° | order qty | description |
|----------|-----------|-----------------------------------|
| 111555 | 1 | BREAKAWAY CLUTCH EG. (23MM) |
| 146587 | 1 | PIN D16.8 X 65 |
| 146741 | 1 | BUSHING D28/D22.2X10 |
| 146843 | 1 | BOLT U M8 F.60 x 60 |
| 158892 | 1 | TURN BUCKLE HOUS |
| 160181 | 1 | CLAMP NOZZLE TUBE 60X60 |
| 160183 | 1 | CLAMP NOZZLE TUBE 50X30 |
| 163936 | 1 | WASHER D15/D6.2X1 |
| 165557 | 1 | WASHER D28.0/D12.2X2.0 SS |
| 170512 | 1 | ASSEMBLY BRACKET FOR CHAIN |
| 172213 | 1 | FLAT BAR F.Boom STRAP |
| 220802 | 1 | BELLVILLE WASHER D50/D22.4X2 |
| 283699 | 1 | GREASE NIPPLE M6X1 |
| 334603 | 1 | RUBBER STOP 86X48X15 |
| 410347 | 1 | SCREW M6X20 8.8 |
| 410443 | 1 | BOLT HEX 8.8 DEL M6X70 |
| 410605 | 1 | BOLT HEX 8.8 DEL M6X80 |
| 410686 | 1 | BOLT HEX 8.8 DEL M6X30 |
| 420567 | 1 | BOLT HEX 8.8 DEL M8X30 FT |
| 420803 | 1 | BOLT HEX 8.8 DEL M8X90 |
| 420965 | 1 | M10X40 MACHINE SCREW STAINLESS |
| 430404 | 1 | BOLT HEX 8.8 DEL M12X50 |
| 430721 | 1 | BOLT HEX 8.8 DEL M12X40 FT |
| 430846 | 1 | BOLT HEX 8.8 DEL M12X80 |
| 430872 | 1 | BOLT HEX 8.8 DEL M12X100 FT |
| 460143 | 1 | NUT HEX M8X1.25 LOCK DIN985A2 SS |
| 460261 | 1 | NUT HEX M6X1.00 LOCK DIN985 A2 SS |
| 460342 | 1 | NUT HEX M10 DEL DIN934 |
| 460386 | 1 | NUT HEX M12X1.75 |
| 460423 | 1 | NUT HEX M10X1.50 LOCK DIN985A2 SS |
| 460703 | 1 | NUT HEX M12X1.75 LOCK DIN985A2 SS |
| 460806 | 1 | NUT HEX M20X2.50 LOCK DIN985A2 SS |
| 461210 | 1 | NUT HEX M10X1.5 L.THREAD |
| 471124 | 1 | WASHER L6U 6,4 X18 X 1.6 A2 SS |
| 471126 | 1 | WASHER, M8, Ø16/ 8.4X 1.6, SS |
| 480384 | 1 | PIN COTTER 3/16 x 1-1/2" |
| 614488 | 1 | FORK/ R.THREAD 10mmX144mm |
| 615220 | 1 | PIN 25 X 910 FOR EAGLE |
| 615224 | 1 | BREAKAWAY SHAFT EAGLE |
| 615541 | 1 | ANCHOR PART TURNBUCKLE EAGLE |
| 615770 | 1 | ANCHOR F.EAGLE CABLE |
| 637090 | 1 | SPROCKET EAGLE |
| 637091 | 1 | CABLE FRONT EAGLE D7X2895 |
| 637093 | 1 | CABLE REAR 5 X 3100MM EAGLE |
| 637160 | 1 | BOOM WING 50'OUTER R.EAGLE |
| 637161 | 1 | BOOM WING 50'OUTER L.EAGLE |
| 637162 | 1 | BOOM WING 45'OUTER R. EAGLE |
| 637163 | 1 | BOOM WING 45'OUTER LEFT EAGLE |
| 16189903 | 1 | PLATE F, EAGLE STOPARM |
| 24262900 | 1 | RUBBER STOP D50X40 M10X33 |
| 28043600 | 1 | CHAIN 5/8X810MM (51 LINKS) |
| 61004503 | 1 | BOOM STOP SPB/SPC |
| 63044200 | 1 | CABLE CENTER EAG. 7mm x 1390mm |
| 63050100 | 1 | WING INNER SPB R.H. 05 |
| 63050200 | 1 | WING INNER SPB L.H. 05 |
| 78122900 | 1 | CYLINDER 40/22X300MM RED |
| 82500703 | 1 | WING INNER SET FPS SPB 45-66' |
| 82501003 | 1 | WING OUTER SET FPS 45' SPB |
| 82501103 | 1 | WING OUTER SET FPS 50' SPB |



DK* 60' 637734 RH (637735 LH)
DK* 66' 637736 RH (637737 LH)
US* 60' 82500803 (RH & LH PAIR)
US* 66' 82500903 (RH & LH PAIR)

DK* = DENMARK STEEL PARTS
US* = NORTH AMERICAN STEEL PARTS

FOR HYDRAULIC COMPONENTS
SEE PAGES C0170, C0180, C0240, C0250, C0260, C0350, C0360

D0270



BOOM EAGLE WINGS 60' 66'
D0270-HIN, 01:01:16

Page 1
Date 04.11.2017 13:50

| parts-n° | order qty | description |
|----------|-----------|---------------------------------------|
| 111344 | 1 | CLAW CLUTCH Ø100/Ø20,5 UNDER PART RED |
| 111574 | 1 | CLAW CLUTCH D100 UP. (MACH) |
| 146587 | 1 | PIN D16.8 X 65 |
| 146843 | 1 | BOLT U M8 F.60 x 60 |
| 147643 | 1 | AXLE F.BM BRKWKY. W. ZERT L=426 |
| 158892 | 1 | TURN BUCKLE HOUS |
| 160181 | 1 | CLAMP NOZZLE TUBE 60X60 |
| 160183 | 1 | CLAMP NOZZLE TUBE 50X30 |
| 160776 | 1 | U-CHANNEL F.3PT. |
| 163936 | 1 | WASHER D15/D6.2X1 |
| 165557 | 1 | WASHER D28.0/D12.2X2.0 SS |
| 166246 | 1 | WASHER CUP D53 F.SPRING |
| 166865 | 1 | WASHER D35/D25X2 |
| 167156 | 1 | WASHER D46.5/D12.4X2.5 |
| 170512 | 1 | ASSEMBLY BRACKET FOR CHAIN |
| 172213 | 1 | FLAT BAR F.BOOM STRAP |
| 172931 | 1 | FLAT STEEL 15X50 |
| 220771 | 1 | SPRING D53/D43X100 |
| 283699 | 1 | GREASE NIPPLE M6X1 |
| 334603 | 1 | RUBBER STOP 86X48X15 |
| 410347 | 1 | SCREW M6X20 8.8 |
| 410443 | 1 | BOLT HEX 8.8 DEL M6X70 |
| 410605 | 1 | BOLT HEX 8.8 DEL M6X80 |
| 410686 | 1 | BOLT HEX 8.8 DEL M6X30 |
| 420567 | 1 | BOLT HEX 8.8 DEL M8X30 FT |
| 420803 | 1 | BOLT HEX 8.8 DEL M8X90 |
| 420965 | 1 | M10X40 MACHINE SCREW STAINLESS |
| 421233 | 1 | BOLT HEX 8.8 10.9 DEL M10X70 |
| 430404 | 1 | BOLT HEX 8.8 DEL M12X50 |
| 430721 | 1 | BOLT HEX 8.8 DEL M12X40 FT |
| 430872 | 1 | BOLT HEX 8.8 DEL M12X100 FT |
| 430924 | 1 | BOLT HEX 8.8 DEL M12 X 85 |
| 460143 | 1 | NUT HEX M8X1.25 LOCK DIN985A2 SS |
| 460261 | 1 | NUT HEX M6X1.00 LOCK DIN985 A2 SS |
| 460342 | 1 | NUT HEX M10 DEL DIN934 |
| 460386 | 1 | NUT HEX M12X1.75 |
| 460423 | 1 | NUT HEX M10X1.50 LOCK DIN985A2 SS |
| 460585 | 1 | LOCKING NUT M16 DIN985 A2 SS |
| 460703 | 1 | NUT HEX M12X1.75 LOCK DIN985A2 SS |
| 460806 | 1 | NUT HEX M20X2.50 LOCK DIN985A2 SS |
| 461210 | 1 | NUT HEX M10X1.5 L.THREAD |
| 461228 | 1 | NUT HEX M20 |
| 461251 | 1 | NUT HEX M20 X 2.5 JAMB |
| 471124 | 1 | WASHER L6U 6,4 X18 X 1.6 A2 SS |
| 471126 | 1 | WASHER, M8, Ø16/ 8.4X 1.6, SS |
| 471128 | 1 | WASHER, M16, Ø30/17.0X 3.0, SS |
| 480384 | 1 | PIN COTTER 3/16 x 1-1/2" |
| 614488 | 1 | FORK/ R.THREAD 10mmX144mm |
| 615220 | 1 | PIN 25 X 910 FOR EAGLE |
| 615357 | 1 | SHAFT W.SPROCKET EAGLE 60'3PT |
| 615770 | 1 | ANCHOR F.EAGLE CABLE |
| 637091 | 1 | CABLE FRONT EAGLE D7X2895 |
| 637093 | 1 | CABLE REAR 5 X 3100MM EAGLE |
| 637387 | 1 | BOOM WING BRKWAY E. 60-90' |
| 637734 | 1 | BOOM WING OUT. 60'R.EAG 97 |
| 637735 | 1 | BOOM WING OUT. 60'L.EAG 97 |
| 637736 | 1 | BOOM WING OUT. 66'R.EAG 97 |
| 637737 | 1 | BOOM WING OUT. 66'L.EAG 97 |
| 16189903 | 1 | PLATE F, EAGLE STOPARM |
| 24262900 | 1 | RUBBER STOP D50X40 M10X33 |
| 28043600 | 1 | CHAIN 5/8X810MM (51 LINKS) |

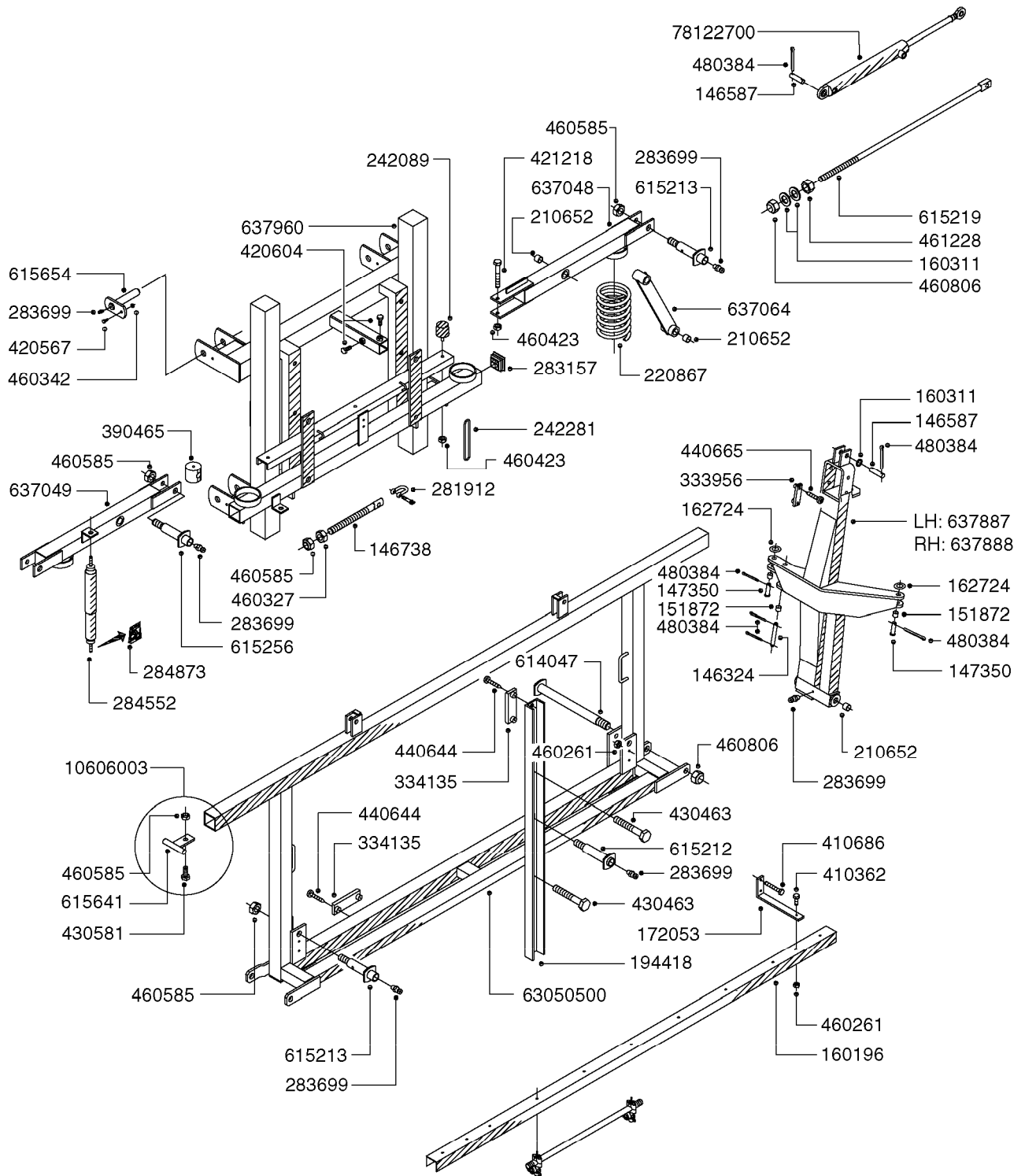


BOOM EAGLE WINGS 60' 66'
D0270-HIN, 01:01:16

Page 2

Date 04.11.2017 13:50

| parts-n° | order qty | description |
|----------|-----------|--------------------------------|
| 61004503 | 1 | BOOM STOP SPB/SPC |
| 63044200 | 1 | CABLE CENTER EAG. 7mm x 1390mm |
| 63050100 | 1 | WING INNER SPB R.H. 05 |
| 63050200 | 1 | WING INNER SPB L.H. 05 |
| 78122900 | 1 | CYLINDER 40/22X300MM RED |
| 82500703 | 1 | WING INNER SET FPS SPB 45-66' |
| 82500803 | 1 | WING OUTER SET FPS 60' SPB |
| 82500903 | 1 | WING OUTER SET FPS 66' SPB |
| 82501203 | 1 | BREAKAWAY SET FPS 60-66' SPB |



DENMARK STEEL PARTS SHOWN ON THIS PAGE
FOR NORTH AMERICAN STEEL PARTS, SEE PAGE D0310

D0300

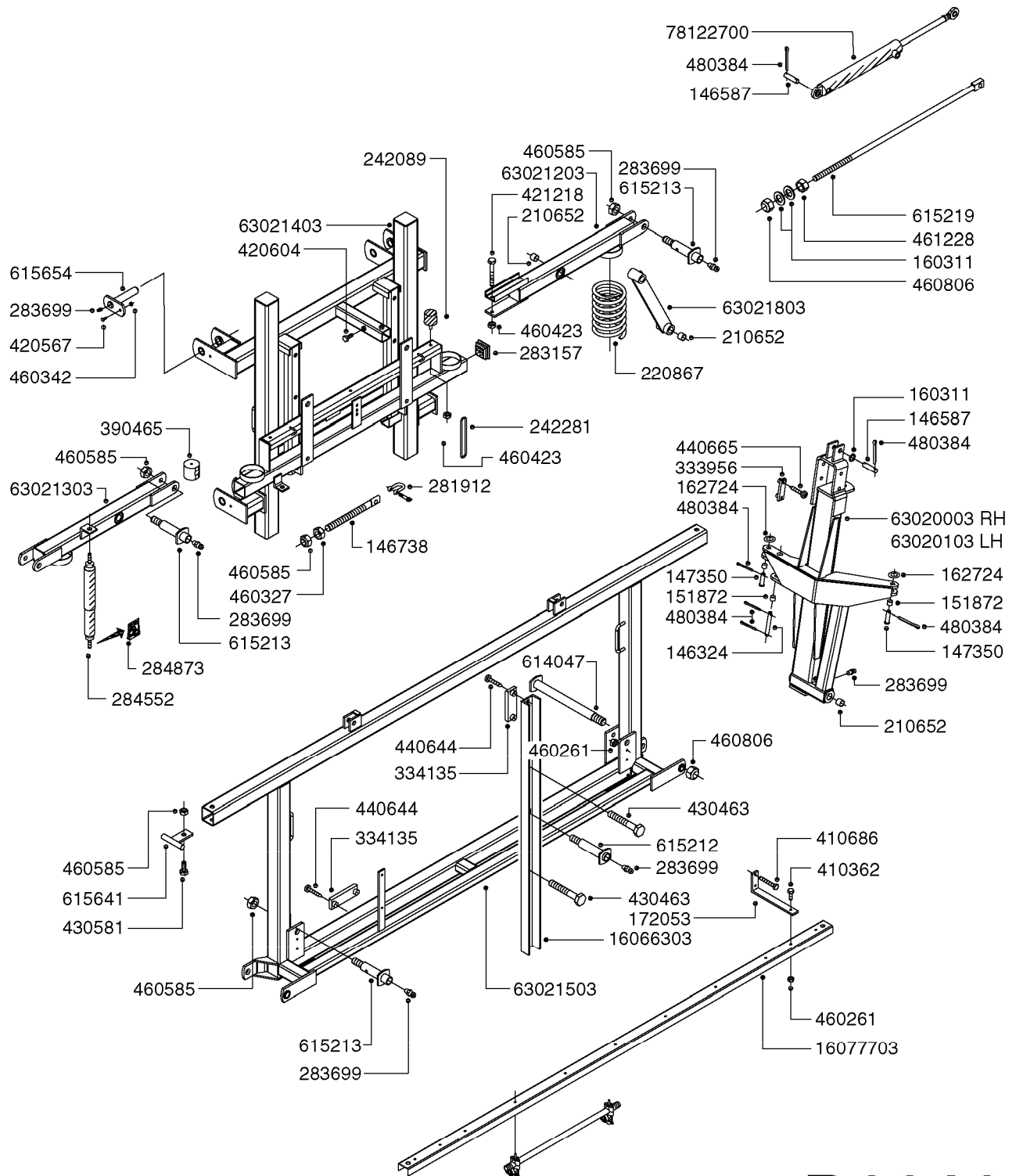


BOOM COMMANDER CENTER 45-66'DK
D0300-HIN, 01:01:16

Page 1

Date 04.11.2017 13:50

| parts-n° | order qty | description |
|----------|-----------|-----------------------------------|
| 146324 | 1 | SHAFT D16.8 L102/2 X 5 |
| 146587 | 1 | PIN D16.8 X 65 |
| 146738 | 1 | PIN FOR CENTER CABLE EAGLE |
| 147350 | 1 | PIN D16.8 L60MM |
| 151872 | 1 | BUSHING D22.0/18.0 10MM |
| 160196 | 1 | NOZZLE TRACK EAGLE |
| 160311 | 1 | WASHER D30/D20.4X2 |
| 162724 | 1 | WASHER D25/D18.1X1 |
| 172053 | 1 | NOZZLE TRACK HOLDER |
| 194418 | 1 | U CHANNEL 65 X 1175 CENTER EAG |
| 210652 | 1 | BUSHING TEFLON D25/D22X20 |
| 220867 | 1 | SPRING 134/14/320 EAGLE 60/66' |
| 242089 | 1 | RUBBER STOP D50X40 M10 |
| 242281 | 1 | RUBBER BAND OVAL 180MM |
| 281912 | 1 | SHACKLE M-10 |
| 283157 | 1 | PLUG F.DRAIN 60X60X4 |
| 283699 | 1 | GREASE NIPPLE M6X1 |
| 284552 | 1 | SHOCK ABSORBER F.EAGLE BOOM |
| 284873 | 1 | KIT F.SHOCK ABSORBER HDW.EAG. |
| 333956 | 1 | SLIDE SHOE 91X25X10 |
| 334135 | 1 | SLIDE SHOE 140X45X15 |
| 390465 | 1 | JOINER BLOCK TRAPEEZE EAGLE |
| 410362 | 1 | BOLT HEX 8.8 SS M6X20 |
| 410686 | 1 | BOLT HEX 8.8 DEL M6X30 |
| 420567 | 1 | BOLT HEX 8.8 DEL M8X30 FT |
| 420604 | 1 | BOLT HEX 8.8 DEL M10X25 FT DIN933 |
| 421218 | 1 | BOLT HEX 8.8 DEL M10X90 |
| 430463 | 1 | BOLT HEX 8.8 DEL M16X110 |
| 430581 | 1 | BOLT HEX 8.8 DEL M16X40 FT |
| 440644 | 1 | SCREW NO.10 5/8" |
| 440665 | 1 | SCREW M4.2X16 STAINLESS |
| 460261 | 1 | NUT HEX M6X1.00 LOCK DIN985 A2 SS |
| 460327 | 1 | NUT HEX M16X2 |
| 460342 | 1 | NUT HEX M10 DEL DIN934 |
| 460423 | 1 | NUT HEX M10X1.50 LOCK DIN985A2 SS |
| 460585 | 1 | LOCKING NUT M16 DIN985 A2 SS |
| 460806 | 1 | NUT HEX M20X2.50 LOCK DIN985A2 SS |
| 461228 | 1 | NUT HEX M20 |
| 480384 | 1 | PIN COTTER 3/16 x 1-1/2" |
| 614047 | 1 | PIN D22 X 243 HINGE EAGLE |
| 615212 | 1 | PIN D22 X 84 LUBED F.EAGLE |
| 615213 | 1 | PIN D22 X 70 LUBED F.EAGLE |
| 615219 | 1 | TILT CYL.REPLACEMENT EAGLE |
| 615256 | 1 | PIN 22 X 70 SHORT THREA. EAGLE |
| 615641 | 1 | SAFETY BAR F.WNG TLT 45-66' |
| 615654 | 1 | PIN D25 X 123 F. PARALIFT |
| 637048 | 1 | SUSP.ARM RIGHT EAGLE |
| 637049 | 1 | SUSP.ARM LEFT EAGLE |
| 637064 | 1 | TRAPEEZE ARM EAGLE 45'-66' |
| 637887 | 1 | HINGE EAGLE LH 45'-66' '97 |
| 637888 | 1 | HINGE EAGLE RH 45'-66' '97 |
| 637960 | 1 | CENTER LIFT FRAME EAG CM45-66' |
| 10606003 | 1 | KIT F.TILT STOP 45'-66' EAGLE |
| 63050500 | 1 | CENTER FRAME SPB 05 |
| 78122700 | 1 | CYLINDER 40/22X300MM RED |



**NORTH AMERICAN STEEL PARTS SHOWN ON THIS PAGE
FOR DENMARK STEEL PARTS, SEE PAGE D0300**

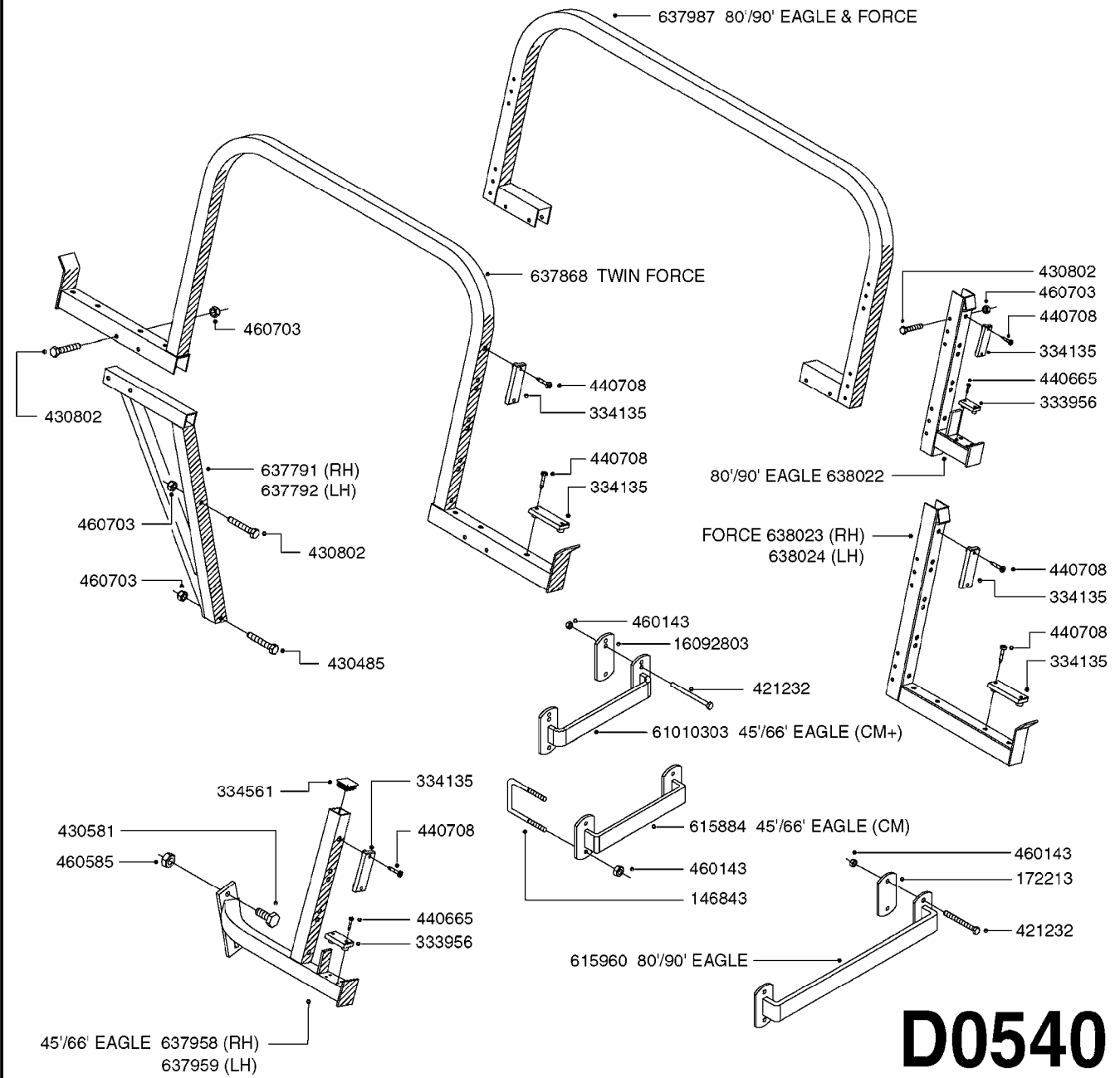
D0310



BOOM COMMANDER CENTER 45-66'US
D0310-HIN, 01:01:16

Page 1
Date 04.11.2017 13:50

| parts-n° | order qty | description |
|----------|-----------|-----------------------------------|
| 146324 | 1 | SHAFT D16.8 L102/2 X 5 |
| 146587 | 1 | PIN D16.8 X 65 |
| 146738 | 1 | PIN FOR CENTER CABLE EAGLE |
| 147350 | 1 | PIN D16.8 L60MM |
| 151872 | 1 | BUSHING D22.0/18.0 10MM |
| 160311 | 1 | WASHER D30/D20.4X2 |
| 162724 | 1 | WASHER D25/D18.1X1 |
| 172053 | 1 | NOZZLE TRACK HOLDER |
| 210652 | 1 | BUSHING TEFLON D25/D22X20 |
| 220867 | 1 | SPRING 134/14/320 EAGLE 60/66' |
| 242089 | 1 | RUBBER STOP D50X40 M10 |
| 242281 | 1 | RUBBER BAND OVAL 180MM |
| 281912 | 1 | SHACKLE M-10 |
| 283157 | 1 | PLUG F.DRAIN 60X60X4 |
| 283699 | 1 | GREASE NIPPLE M6X1 |
| 284552 | 1 | SHOCK ABSORBER F.EAGLE BOOM |
| 284873 | 1 | KIT F.SHOCK ABSORBER HDW.EAG. |
| 333956 | 1 | SLIDE SHOE 91X25X10 |
| 334135 | 1 | SLIDE SHOE 140X45X15 |
| 390465 | 1 | JOINER BLOCK TRAPEEZE EAGLE |
| 410362 | 1 | BOLT HEX 8.8 SS M6X20 |
| 410686 | 1 | BOLT HEX 8.8 DEL M6X30 |
| 420567 | 1 | BOLT HEX 8.8 DEL M8X30 FT |
| 420604 | 1 | BOLT HEX 8.8 DEL M10X25 FT DIN933 |
| 421218 | 1 | BOLT HEX 8.8 DEL M10X90 |
| 430463 | 1 | BOLT HEX 8.8 DEL M16X110 |
| 430581 | 1 | BOLT HEX 8.8 DEL M16X40 FT |
| 440644 | 1 | SCREW NO.10 5/8" |
| 440665 | 1 | SCREW M4.2X16 STAINLESS |
| 460261 | 1 | NUT HEX M6X1.00 LOCK DIN985 A2 SS |
| 460327 | 1 | NUT HEX M16X2 |
| 460342 | 1 | NUT HEX M10 DEL DIN934 |
| 460423 | 1 | NUT HEX M10X1.50 LOCK DIN985A2 SS |
| 460585 | 1 | LOCKING NUT M16 DIN985 A2 SS |
| 460806 | 1 | NUT HEX M20X2.50 LOCK DIN985A2 SS |
| 461228 | 1 | NUT HEX M20 |
| 480384 | 1 | PIN COTTER 3/16 x 1-1/2" |
| 614047 | 1 | PIN D22 X 243 HINGE EAGLE |
| 615212 | 1 | PIN D22 X 84 LUBED F.EAGLE |
| 615213 | 1 | PIN D22 X 70 LUBED F.EAGLE |
| 615219 | 1 | TILT CYL.REPLACEMENT EAGLE |
| 615641 | 1 | SAFETY BAR F.WNG TLT 45-66' |
| 615654 | 1 | PIN D25 X 123 F. PARALIFT |
| 16066303 | 1 | U-CHANNEL F. CENTER SPB |
| 16077703 | 1 | CENTER TRACK SPB |
| 63020003 | 1 | HINGE 45'-66' RH / SPB |
| 63020103 | 1 | HINGE 45'-66' LH / SPB |
| 63021203 | 1 | TRAPEZE ARM R.H. SPB |
| 63021303 | 1 | TRAPEZE ARM L.H. SPB |
| 63021403 | 1 | PARA-LIFT LIFT CENTER SPB |
| 63021503 | 1 | CENTER FRAME SPB |
| 63021803 | 1 | TRAPEZE ARM SPB |
| 78122700 | 1 | CYLINDER 40/22X300MM RED |





TRANSPORT BRACKETS - CM/CM+
D0540-HIN, 01:01:16

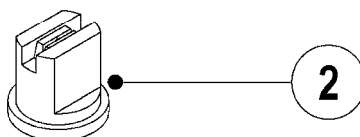
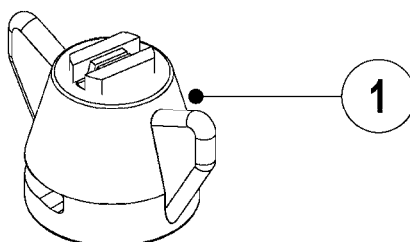
Page 1

Date 04.11.2017 13:50

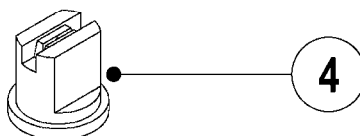
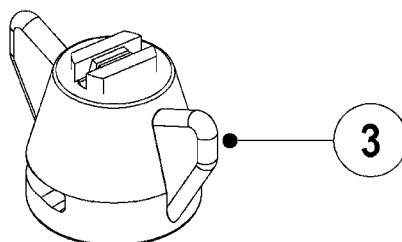
| parts-n° | order qty | description |
|----------|-----------|-----------------------------------|
| 146843 | 1 | BOLT U M8 F.60 x 60 |
| 172213 | 1 | FLAT BAR F.BOOM STRAP |
| 333956 | 1 | SLIDE SHOE 91X25X10 |
| 334135 | 1 | SLIDE SHOE 140X45X15 |
| 334561 | 1 | PLUG 50x50x2 F.SQ.TUBE |
| 421232 | 1 | BOLT HEX 8.8 DEL M8X110 |
| 430485 | 1 | BOLT HEX 8.8 DEL M12X90 |
| 430581 | 1 | BOLT HEX 8.8 DEL M16X40 FT |
| 430802 | 1 | BOLT HEX 8.8 DEL M12X75 |
| 440665 | 1 | SCREW M4.2X16 STAINLESS |
| 440708 | 1 | SCREW M5.5X16 SELF TAPPING SS |
| 460143 | 1 | NUT HEX M8X1.25 LOCK DIN985A2 SS |
| 460585 | 1 | LOCKING NUT M16 DIN985 A2 SS |
| 460703 | 1 | NUT HEX M12X1.75 LOCK DIN985A2 SS |
| 615884 | 1 | HOOK BRACKET F.TNSPORT 45'-66' |
| 615960 | 1 | TRANSPORT BKT.F.80'-90'HZ CM |
| 637791 | 1 | TRANS.MOUNT BKT. CM PLTFORM RH |
| 637792 | 1 | TRANS.MOUNT BKT. CM PLTFORM LH |
| 637868 | 1 | TRANS.BKT UPPER CM TWIN FORCE |
| 637958 | 1 | TRANS.BKT CM EAGLE45'-66' RH |
| 637959 | 1 | TRANS.BKT CM EAGLE45'-66' LH |
| 637987 | 1 | TRANS.BKT UPPER CM EAGLE80-90' |
| 638022 | 1 | TRANSPORT BKT.F.80-90'HZ CM |
| 638023 | 1 | TRANSPORT BKT.F.110'FORCE RH |
| 638024 | 1 | TRANSPORT BKT.F.110'FORCE LH |
| 16092803 | 1 | PLATE F. TRANSPORT CM+ |
| 61010303 | 1 | TRANSPORT MT. F. WING SPB CM+ |



SYNTAL



CERAMIC



D1000



BOOM-NOZZLES 110° FLAT FAN ISO
D1000-HIN, 01:01:16

Page

1

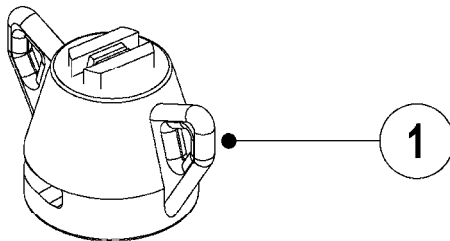
Date

04.11.2017 13:50

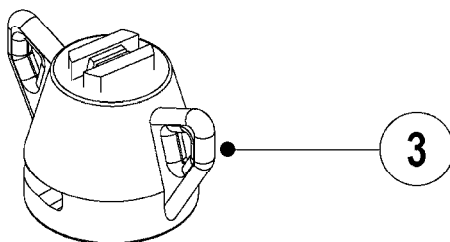
| Pos. | parts-n° | order qty | description |
|------|----------|-----------|--------------------------------|
| 1 | 371764 | 1 | NOZZLE ISO CT F-01-110 ORANGE |
| 1 | 371765 | 1 | NOZZLE ISO CT F-015-110 GREEN |
| 1 | 371766 | 1 | NOZZLE ISO CT F-02-110 YELLOW |
| 1 | 371767 | 1 | NOZZLE ISO CT F-03-110 BLUE |
| 1 | 371768 | 1 | NOZZLE ISO CT F-04-110 RED |
| 1 | 371769 | 1 | NOZZLE ISO CT F-05-110 BROWN |
| 1 | 371770 | 1 | NOZZLE ISO CT F-06-110 GREY |
| 1 | 371771 | 1 | NOZZLE ISO CT F-08-110 WHITE |
| 1 | 371950 | 1 | NOZZLE ISO CT F-025-110 LILAC |
| 1 | 371964 | 1 | NOZZLE ISO CT F-075-110 PINK |
| 1 | 371970 | 1 | NOZZLE ISO CT F-10-110 LT BLUE |
| 2 | 371706 | 1 | NOZZLE ISO F-01-110 ORANGE |
| 2 | 371707 | 1 | NOZZLE ISO F-015-110 GREEN |
| 2 | 371708 | 1 | NOZZLE ISO F-02-110 YELLOW |
| 2 | 371709 | 1 | NOZZLE ISO F-03-110 BLUE |
| 2 | 371710 | 1 | NOZZLE ISO F-04-110 RED |
| 2 | 371711 | 1 | NOZZLE ISO F-05-110 BROWN |
| 2 | 371712 | 1 | NOZZLE ISO F-06-110 GREY |
| 2 | 371713 | 1 | NOZZLE ISO F-08-110 WHITE |
| 2 | 371946 | 1 | NOZZLE ISO F-025-110 LILAC |
| 2 | 371963 | 1 | NOZZLE ISO F-075-110 PINK |
| 2 | 371966 | 1 | NOZZLE ISO F-10-110 LT BLUE |
| 3 | 371772 | 1 | NOZZLE ISO CT F-015-110C GREEN |
| 3 | 371773 | 1 | NOZZLE ISO CT F-02-110C YELLOW |
| 3 | 371774 | 1 | NOZZLE ISO CT F-03-110C BLUE |
| 3 | 371775 | 1 | NOZZLE ISO CT F-04-110C RED |
| 3 | 371776 | 1 | NOZZLE ISO CT F-05-110C BROWN |
| 3 | 371777 | 1 | NOZZLE ISO CT F-06-110C GREY |
| 4 | 371738 | 1 | NOZZLE ISO F-015-110C GREEN |
| 4 | 371739 | 1 | NOZZLE ISO F-02-110C YELLOW |
| 4 | 371740 | 1 | NOZZLE ISO F-03-110C BLUE |
| 4 | 371741 | 1 | NOZZLE ISO F-04-110C RED |
| 4 | 371742 | 1 | NOZZLE ISO F-05-110C BROWN |
| 4 | 371743 | 1 | NOZZLE ISO F-06-110C GREY |



SYNTAL



CERAMIC



D1010



BOOM-NOZZLES 110° LOWDRIFT ISO
D1010-HIN, 01:01:16

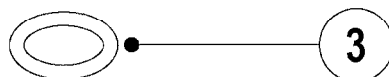
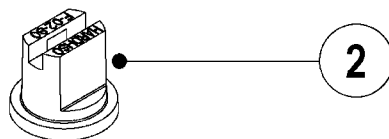
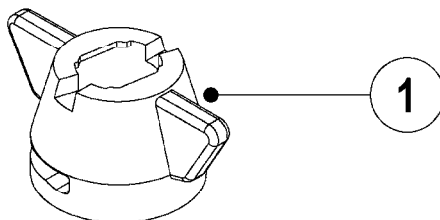
Page 1

Date 04.11.2017 13:50

| Pos. | parts-n° | order qty | description |
|------|----------|-----------|--------------------------------|
| 1 | 371837 | 1 | NOZZLE ISO CT LD-01-110 ORANGE |
| 1 | 371838 | 1 | NOZZLE ISO CT LD-015-110 GREEN |
| 1 | 371839 | 1 | NOZZLE ISO CT LD-02-110 YELLOW |
| 1 | 371840 | 1 | NOZZLE ISO CT LD-03-110 BLUE |
| 1 | 371841 | 1 | NOZZLE ISO CT LD-04-110 RED |
| 1 | 371894 | 1 | NOZZLE ISO CT LD-05-110 BROWN |
| 1 | 371958 | 1 | NOZZLE ISO CT LD-025-110 LILAC |
| 2 | 371817 | 1 | NOZZLE ISO LD-01-110 ORANGE |
| 2 | 371818 | 1 | NOZZLE ISO LD-015-110 GREEN |
| 2 | 371819 | 1 | NOZZLE ISO LD-02-110 YELLOW |
| 2 | 371820 | 1 | NOZZLE ISO LD-03-110 BLUE |
| 2 | 371821 | 1 | NOZZLE ISO LD-04-110 RED |
| 2 | 371893 | 1 | NOZZLE ISO LD-05-110 BROWN |
| 2 | 371957 | 1 | NOZZLE ISO LD-025-110 LILAC |
| 3 | 371842 | 1 | NOZZLE ISO CT LD-01-110C ORANG |
| 3 | 371843 | 1 | NOZZLE ISO CT LD-015-110C GRN |
| 3 | 371844 | 1 | NOZZLE ISO CT LD-02-110C YELLO |
| 3 | 371845 | 1 | NOZZLE ISO CT LD-03-110C BLUE |
| 3 | 371846 | 1 | NOZZLE ISO CT LD-04-110C RED |
| 3 | 371897 | 1 | NOZZLE ISO CT LD-05-110C BROWN |
| 4 | 371822 | 1 | NOZZLE ISO LD-01-110C ORANGE |
| 4 | 371823 | 1 | NOZZLE ISO LD-015-110C GREEN |
| 4 | 371824 | 1 | NOZZLE ISO LD-02-110C YELLOW |
| 4 | 371825 | 1 | NOZZLE ISO LD-03-110C BLUE |
| 4 | 371826 | 1 | NOZZLE ISO LD-04-110C RED |
| 4 | 371896 | 1 | NOZZLE ISO LD-05-110C BROWN |



SYNTAL



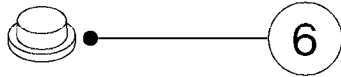
D1020



BOOM-NOZZLES 80° FLAT FAN ISO
D1020-HIN, 01:01:16

Page 1
Date 04.11.2017 13:50

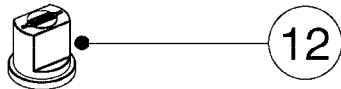
| Pos. | parts-n° | order qty | description |
|------|----------|-----------|--------------------------------|
| 1 | 334083 | 1 | SNAP-FIT NOZZLE HOLDER SS BLCK |
| 2 | 371931 | 1 | SYNTAL ISO F-01-80 TIP ORNG |
| 2 | 371932 | 1 | SYNTAL ISO F-015-80 TIP GREEN |
| 2 | 371933 | 1 | SYNTAL ISO F-02-80 TIP YELLOW |
| 2 | 371934 | 1 | SYNTAL ISO F-03-80 TIP BLUE |
| 3 | 10423503 | 1 | O-RING 9.12x3.53 NITRIL |



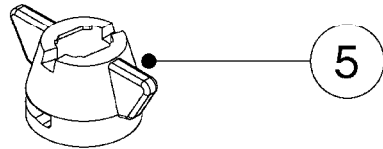
6



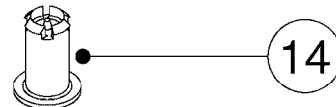
15



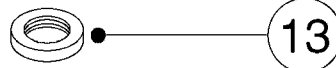
12



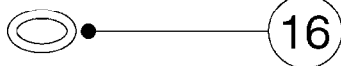
5



14



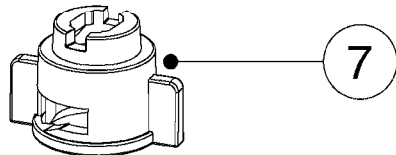
13



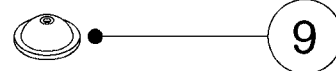
16



11



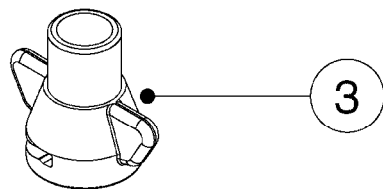
7



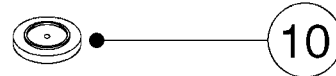
9



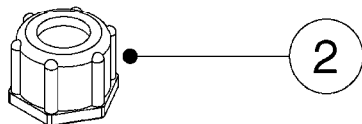
1



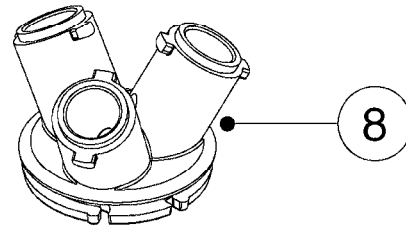
3



10



2



8



4

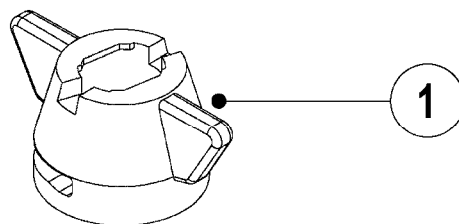
D1030



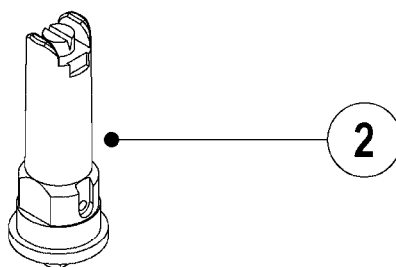
BOOM-NOZZLE CAPS AND FILTERS
D1030-HIN, 01:01:16

Page 1
Date 04.11.2017 13:50

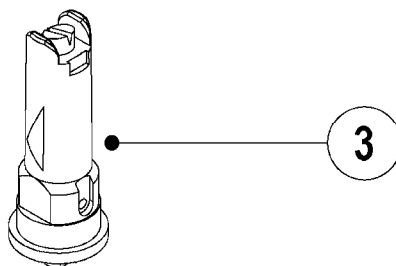
| Pos. | parts-n° | order qty | description |
|------|----------|-----------|---|
| 1 | 242222 | 1 | GASKET 19.0 X 10.0 X 3.3 EPDM |
| 2 | 320187 | 1 | FITT.DK CAP 3/8" BSP BLACK |
| 2 | 321517 | 1 | FITT.DK CAP 3/8" BSP WHITE ALWAYS USE WITH ISO AND INJET NOZZLES |
| 2 | 321797 | 1 | FITT.DK CAP 3/8" BSP BLUE |
| 2 | 321801 | 1 | FITT.DK CAP 3/8" BSP GREEN |
| 2 | 321812 | 1 | FITT.DK CAP 3/8" BSP RED |
| 2 | 321823 | 1 | FITT.DK CAP 3/8" BSP ORANGE |
| 2 | 321834 | 1 | FITT.DK CAP 3/8" BSP YELLOW |
| 3 | 322068 | 1 | SNAP-FIT ADAPTER THREAD. HARDI |
| 4 | 330013 | 1 | O-RING D15/D10X2.5 F.3/8"NUT |
| 5 | 334083 | 1 | SNAP-FIT NOZZLE HOLDER SS BLCK |
| 6 | 334102 | 1 | BLANK F.NOZZLE |
| 7 | 334862 | 1 | NOZZLE CAP TJBLACK F.ISO/INJET |
| 8 | 334926 | 1 | SNAP-FIT TURN PLATE F TRIPLET |
| 9 | 370016 | 1 | NOZZLE CONE JET 1553-08 |
| 9 | 370027 | 1 | NOZZLE CONE JET 1553-10 |
| 9 | 370031 | 1 | NOZZLE CONE JET 1553-12 |
| 9 | 370042 | 1 | NOZZLE CONE JET 1553-14 |
| 9 | 370053 | 1 | NOZZLE CONE JET 1553-16 |
| 9 | 370064 | 1 | NOZZLE CONE JET 1553-18 |
| 9 | 370075 | 1 | NOZZLE CONE JET 1553-20 |
| 9 | 370086 | 1 | NOZZLE CONE JET 1553-22 |
| 9 | 370097 | 1 | NOZZLE CONE JET 1553-24 |
| 9 | 370101 | 1 | NOZZLE CONE JET 1553-30 |
| 9 | 370112 | 1 | NOZZLE CONE JET 1553-35 |
| 9 | 370123 | 1 | NOZZLE CONE JET 1553-40 |
| 10 | 370134 | 1 | NOZZLE SWIRL 1554-GREY |
| 10 | 370145 | 1 | NOZZLE SWIRL 1554-BLACK |
| 10 | 370156 | 1 | NOZZLE SWIRL 1554-BLUE |
| 10 | 370167 | 1 | NOZZLE SWIRL 1554-1.3 WHITE |
| 11 | 371551 | 1 | NOZZ LRG DROP FLAT SPRAY SINGL |
| 12 | 372140 | 1 | HARDI ISO BLIND CAP |
| 13 | 390639 | 1 | O-RING F.NOZZLE FILTER |
| 14 | 614366 | 1 | FILTER 50 MESH F.NOZZLE BLUE |
| 14 | 614367 | 1 | FILTER 80 MESH F.NOZZLE RED |
| 14 | 614368 | 1 | FILTER 100 MESH F.NOZZLE YEL. |
| 15 | 725042 | 1 | SCREEN 80 MESH W.GASKET, RED |
| 15 | 725043 | 1 | SCREEN 50 MESH W.GASKET,BLUE |
| 15 | 725044 | 1 | SCREEN 100 MESH W.GASKET,YELLO |
| 16 | 10423503 | 1 | O-RING 9.12x3.53 NITRIL |



INJET Nozzle SYNTAL



B-JET Nozzle SYNTAL



D1040

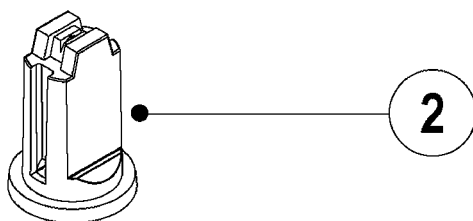
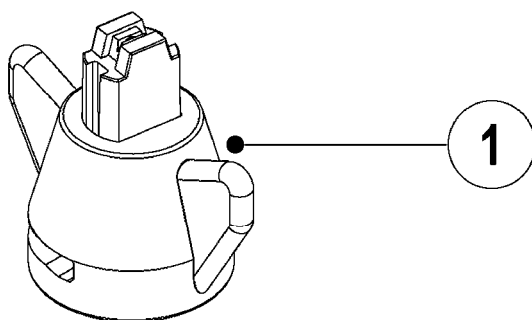


BOOM-NOZZLES INJET
D1040-HIN, 01:01:16

Page 1

Date 04.11.2017 13:50

| Pos. | parts-n° | order qty | description |
|------|----------|-----------|--------------------------------|
| 1 | 334083 | 1 | SNAP-FIT NOZZLE HOLDER SS BLCK |
| 2 | 371872 | 1 | NOZZLE INJET 015 GREEN SINGLE |
| 2 | 371873 | 1 | NOZZLE INJET 02 YELLOW SINGLE |
| 2 | 371874 | 1 | NOZZLE INJET 025 LILAC SINGLE |
| 2 | 371875 | 1 | NOZZLE INJET 03 BLUE SINGLE |
| 2 | 371876 | 1 | NOZZLE INJET 04 RED SINGLE |
| 2 | 371926 | 1 | NOZZLE INJET 01 ORANGE SINGLE |
| 2 | 371927 | 1 | NOZZLE INJET 05 BROWN SINGLE |
| 2 | 371928 | 1 | NOZZLE INJET 06 GREY SINGLE |
| 2 | 371929 | 1 | NOZZLE INJET 08 WHITE SINGLE |
| 3 | 371870 | 1 | NOZZLE B-JET 03 BLUE |
| 3 | 371871 | 1 | NOZZLE B-JET 04 RED |
| 3 | 371877 | 1 | NOZZLE B-JET 025 LILAC |
| 3 | 371930 | 1 | NOZZLE B-JET 02 YELLOW |



D1050

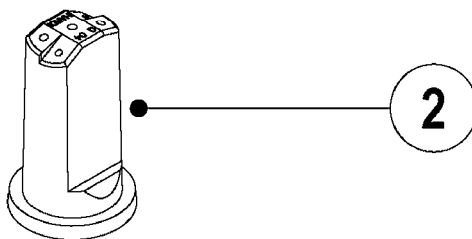
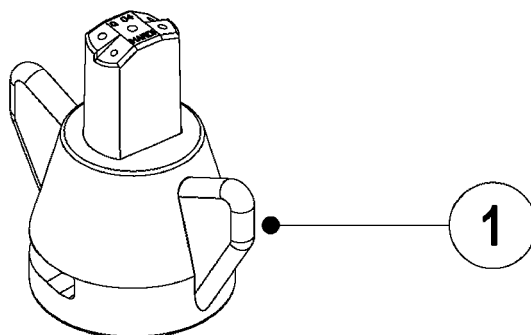


BOOM-NOZZLES MINIDRIFT
D1050-HIN, 01:01:16

Page 1

Date 04.11.2017 13:50

| Pos. | parts-n° | order qty | description |
|------|----------|-----------|--------------------------------|
| 1 | 372121 | 1 | NOZZLE ISO CT MD-015-110 GREEN |
| 1 | 372122 | 1 | NOZZLE ISO CT MD-02-110 YELLOW |
| 1 | 372123 | 1 | NOZZLE ISO CT MD-025-110 LILAC |
| 1 | 372124 | 1 | NOZZLE ISO CT MD-03-110 BLUE |
| 1 | 372125 | 1 | NOZZLE ISO CT MD-04-110 RED |
| 1 | 372126 | 1 | NOZZLE ISO CT MD-05-110 BROWN |
| 2 | 372111 | 1 | NOZZLE ISO MD-015-110 GREEN |
| 2 | 372112 | 1 | NOZZLE ISO MD-02-110 YELLOW |
| 2 | 372113 | 1 | NOZZLE ISO MD-025-110 LILAC |
| 2 | 372114 | 1 | NOZZLE ISO MD-03-110 BLUE |
| 2 | 372115 | 1 | NOZZLE ISO MD-04-110 RED |
| 2 | 372116 | 1 | NOZZLE ISO MD-05-110 BROWN |



D1060

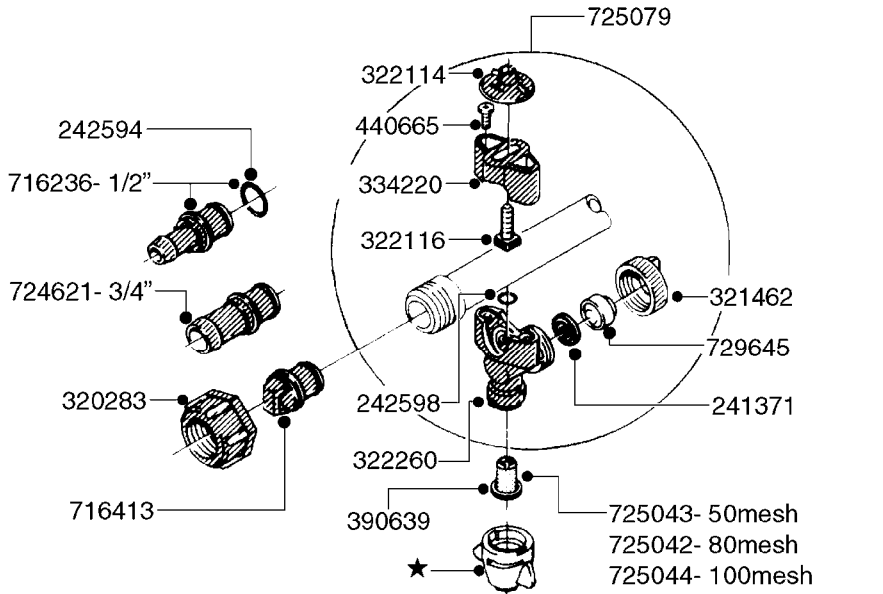


BOOM-NOZZLES QUINTASTREAM
D1060-HIN, 01:01:16

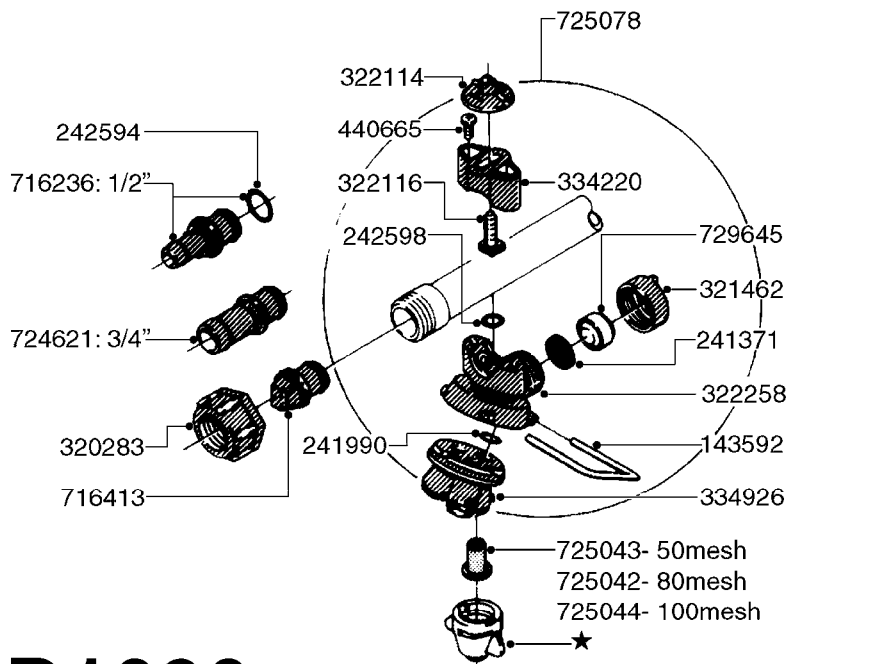
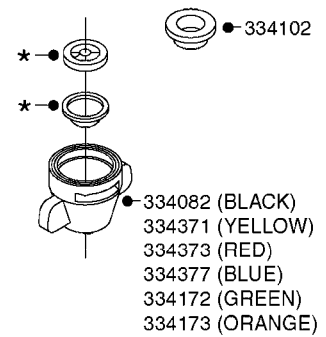
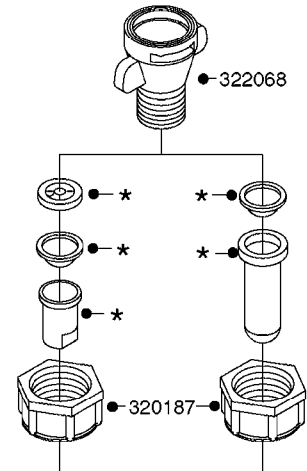
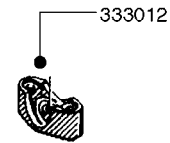
Page 1

Date 04.11.2017 13:50

| Pos. | parts-n° | order qty | description |
|------|----------|-----------|-------------------------------|
| 1 | 372011 | 1 | NOZZLE ISO QS-015-5H GREEN |
| 1 | 372012 | 1 | NOZZLE ISO QS-02-5H YELLOW |
| 1 | 372013 | 1 | NOZZLE ISO QS-03-5H BLUE |
| 1 | 372014 | 1 | NOZZLE ISO QS-04-5H RED |
| 1 | 372015 | 1 | NOZZLE ISO QS-05-5H BROWN |
| 1 | 372016 | 1 | NOZZLE ISO QS-06-5H GREY |
| 1 | 372017 | 1 | NOZZLE ISO QS-08-5H WHITE |
| 1 | 372018 | 1 | NOZZLE ISO QS-10-5H LT. BLUE |
| 1 | 372019 | 1 | NOZZLE ISO QS-15-5H LT. GREEN |
| 2 | 372002 | 1 | ISO QNTSTRM 015 S-GREEN |
| 2 | 372003 | 1 | ISO QNTSTRM 02 S-YELLOW |
| 2 | 372004 | 1 | ISO QNTSTRM 03 S-BLUE |
| 2 | 372005 | 1 | ISO QNTSTRM 04 S-RED |
| 2 | 372006 | 1 | ISO QNTSTRM 05 S-BROWN |
| 2 | 372007 | 1 | ISO QNTSTRM 06 S-GREY |
| 2 | 372008 | 1 | ISO QNTSTRM 08 S-WHITE |
| 2 | 372009 | 1 | ISO QNTSTRM 10 S-LT.BLU |
| 2 | 372010 | 1 | ISO QNTSTRM 15 S-LT.GRN |



SINGLE NOZZLE BODY



TRIPLET NOZZLE BODY

D1090

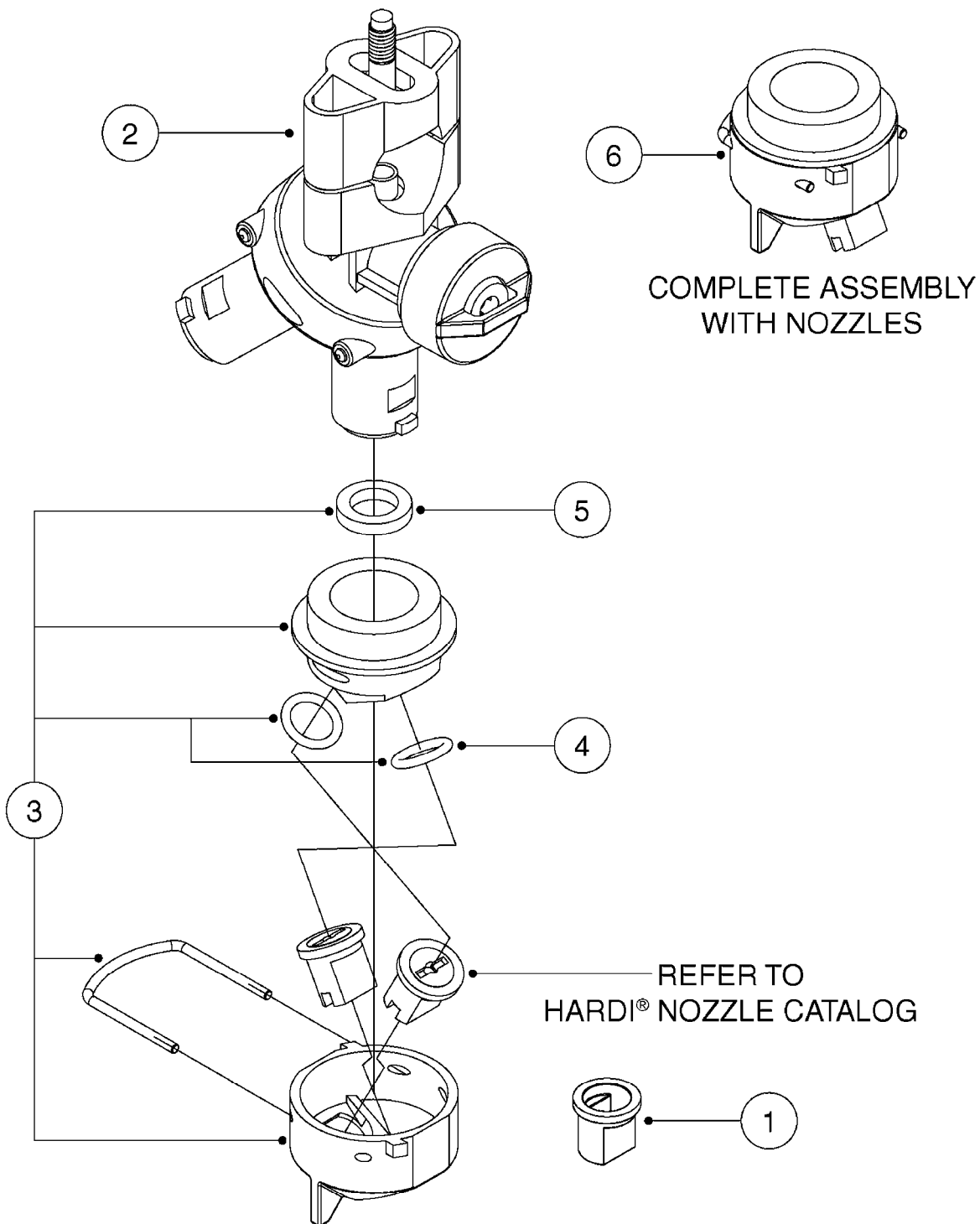
*=REFER TO HARDI NOZZLE CATALOG



NOZZLE BODIES-SNAP FIT
D1090-HIN, 01:01:16

Page 1
Date 04.11.2017 13:50

| parts-n° | order qty | description |
|----------|-----------|---------------------------------|
| 143592 | 1 | LOCK CLAMP FOR TRIPLET |
| 241371 | 1 | DIAPHRAGM, NO-DRIP alt 241371 |
| 241990 | 1 | O-RING D9.3 X 2.4 VITON |
| 242594 | 1 | O-RING D14 X 1.78 SCH.70-EPDM |
| 242598 | 1 | O-RING D7.0 X 2.5 NITRIL |
| 320187 | 1 | FITT.DK CAP 3/8" BSP BLACK |
| 320283 | 1 | FITT.DK NUT 3/4"BSP |
| 321462 | 1 | CAP F.NO-DRIP ASSY. |
| 322068 | 1 | SNAP-FIT ADAPTER THREAD. HARDI |
| 322114 | 1 | NUT PLASTIC F.NOZZ.H |
| 322116 | 1 | BOLT PLASTIC F.NOZZ.H. |
| 322258 | 1 | HOUSING F.TRIPLET |
| 322260 | 1 | NOZZLE HOLDER LOWER PART |
| 333012 | 1 | NOZZLE HOLD. UPPER PART |
| 334082 | 1 | SNAP-FIT NOZZ.HOLD.CONE BLACK |
| 334102 | 1 | BLANK F.NOZZLE |
| 334172 | 1 | SNAP-FIT NOZZ.HOLD.CONE GREEN |
| 334173 | 1 | SNAP-FIT NOZZ.HOLD.CONE ORANGE |
| 334220 | 1 | YOKE, UPPER NOZZLE BODY |
| 334371 | 1 | SNAP-FIT NOZZLE HOLDER YELLOW |
| 334373 | 1 | SNAP-FIT NOZZLE HOLDER RED |
| 334377 | 1 | SNAP-FIT NOZZLE HOLDER BLUE |
| 334926 | 1 | SNAP-FIT TURN PLATE F TRIPLET |
| 390639 | 1 | O-RING F.NOZZLE FILTER |
| 440665 | 1 | SCREW M4.2X16 STAINLESS |
| 716236 | 1 | FITT.DK HB 1/2" ASSY. F. 3/4" |
| 716413 | 1 | FITT.DK PLUG ASSY. F.NOZ TUBE |
| 724621 | 1 | FITT.DK HB 3/4"ASSY F.3/4" NUT |
| 725042 | 1 | SCREEN 80 MESH W.GASKET, RED |
| 725043 | 1 | SCREEN 50 MESH W.GASKET, BLUE |
| 725044 | 1 | SCREEN 100 MESH W.GASKET, YELLO |
| 725078 | 1 | SNAP-FIT TRIPLET W/O NOZZ HOLD |
| 725079 | 1 | NOZZLE ASSY.SING.SNAP-FIT GREN |
| 729645 | 1 | NON-DRIP SPRING ASSY.GREEN 10 |



D1100

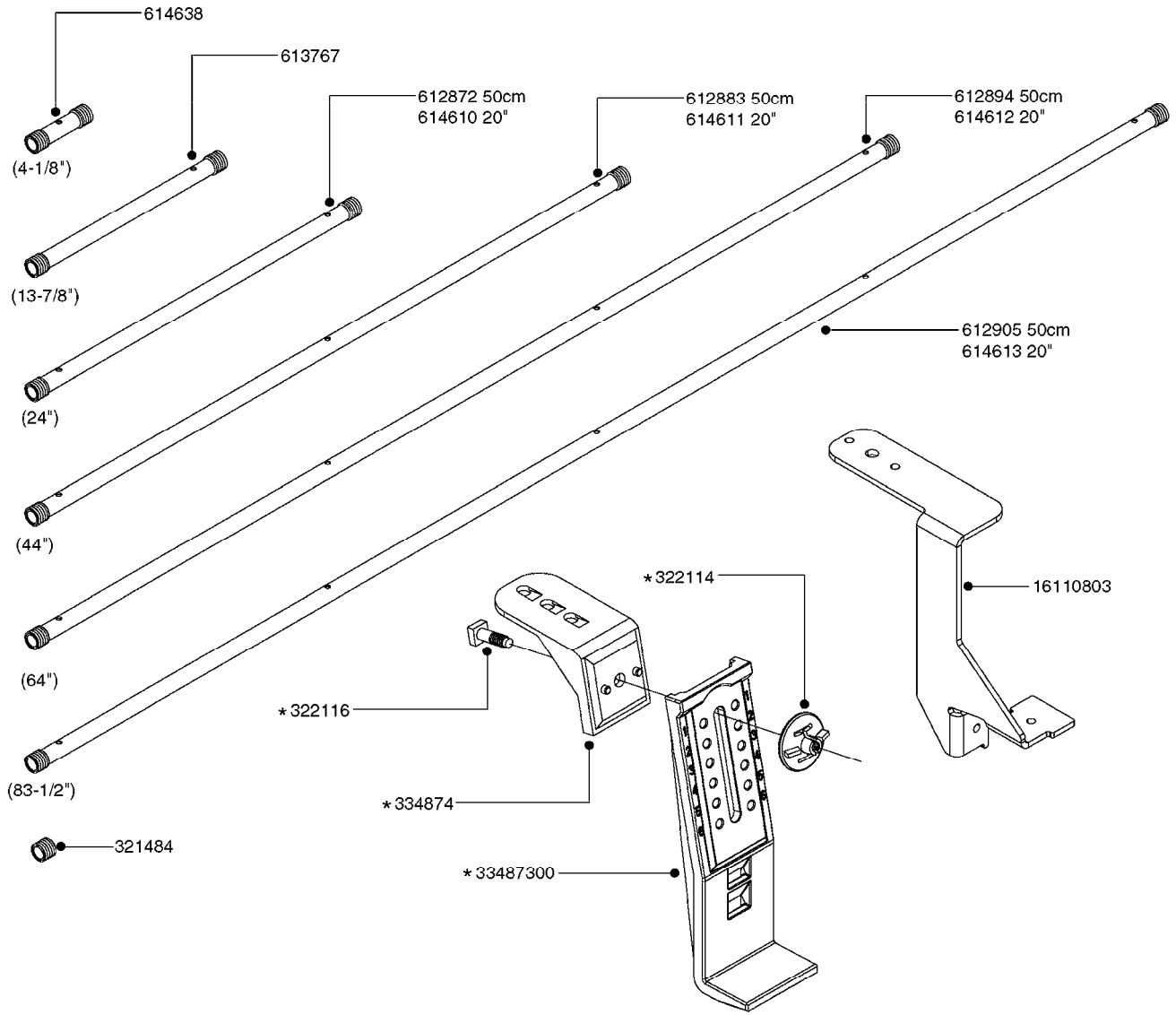


DOUBLE NOZZLE HOLDER-SNAP FIT
D1100-HIN, 01:01:16

Page 1

Date 04.11.2017 13:50

| Pos. | parts-n° | order qty | description |
|------|----------|-----------|--------------------------------|
| 1 | 372140 | 1 | HARDI ISO BLIND CAP |
| 2 | 725078 | 1 | SNAP-FIT TRIPLET W/O NOZZ HOLD |
| 3 | 28032503 | 1 | DOUBLE NOZZLE HOLDER LD ISO |
| 4 | 28040103 | 1 | O-RING F.DOUBLE NOZZLE HOLDER |
| 5 | 28089103 | 1 | GASKET F.DOUBLE NOZZLE HOLDER |
| 6 | 70056803 | 1 | DOUBLE NOZZLE CAP ORANGE LD 01 |
| 6 | 70056903 | 1 | DOUBLE NOZZLE CAP GREEN LD 015 |
| 6 | 70057003 | 1 | DOUBLE NOZZLE CAP YELLOW LD 02 |
| 6 | 70057103 | 1 | DOUBLE NOZZLE CAP LILAC LD 025 |
| 6 | 70057203 | 1 | DOUBLE NOZZLE CAP BLUE LD 03 |
| 6 | 70057303 | 1 | DOUBLE NOZZLE CAP RED LD 04 |
| 6 | 70057403 | 1 | DOUBLE NOZZLE CAP BROWN LD 05 |



*741685 - BAG OF 5 COMPLETE
*741688 - BAG OF 10 COMPLETE

| | | |
|--|--------------------------------|---------------------------|
| | STAINLESS CLAMPS AND INSULATOR | |
| | 100X60MM - 741778 BAG OF 10 | |
| | 80X60MM - 741741 BAG OF 10 | 80X60MM - 741738 BAG OF 5 |
| | 50X50MM - 741737 BAG OF 10 | 50X50MM - 741734 BAG OF 5 |
| | 50X30MM - 741733 BAG OF 10 | 50X30MM - 741730 BAG OF 5 |

| | |
|---|---|
| BLANK TUBES: 614647 - 23-3/4" 614648 - 43-1/4" 614649 - 63" 614650 - 82-1/2" | DIMPLED TUBES: 615468 - 24-1/2" 615471 - 64" 615469 - 44" 615472 - 74-1/4" 615470 - 54-1/8" 615473 - 92" |
|---|---|

D1110

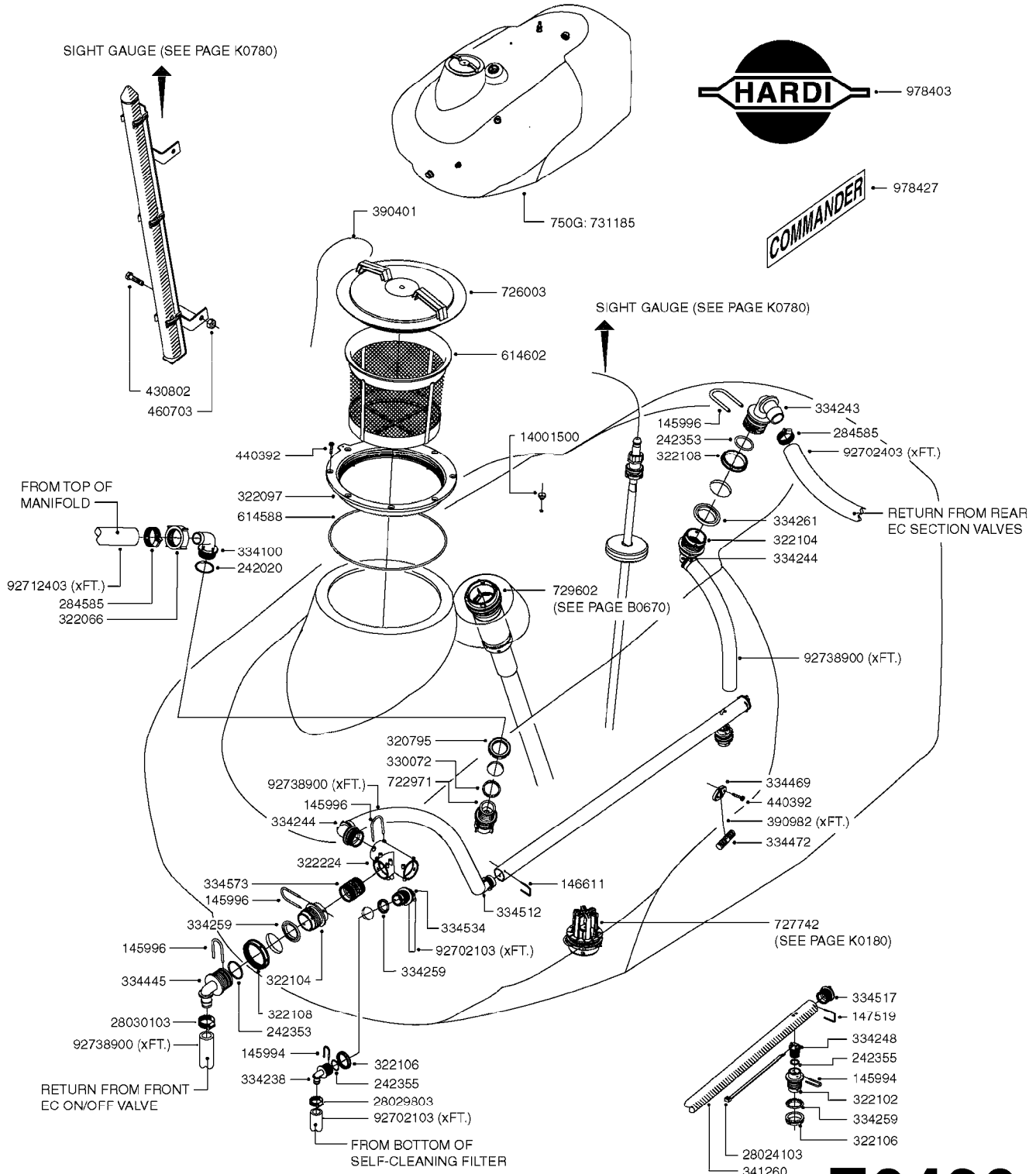


NOZZLE TUBES & HOLDER-PLASTIC
D1110-HIN, 01:01:16

Page 1

Date 04.11.2017 13:50

| parts-n° | order qty | description |
|----------|-----------|--------------------------------|
| 321484 | 1 | BUSHING THREADED F.NOZZ.TUBE |
| 322114 | 1 | NUT PLASTIC F.NOZZ.H |
| 322116 | 1 | BOLT PLASTIC F.NOZZ.H. |
| 334874 | 1 | NOZZLE HOLDER - TOP HALF |
| 612872 | 1 | NOZZLE TUBE 2 HOLE L-24"/50CM |
| 612883 | 1 | NOZZLE TUBE 3 HOLE L-44"/50CM |
| 612894 | 1 | NOZZLE TUBE 4 HOLE L-64"/50CM |
| 612905 | 1 | NOZZLE TUBE 5 HOLE L-83.5"/50C |
| 613767 | 1 | NOZZLE TUBE 1 HOLE L-13.875" |
| 614610 | 1 | NOZZLE TUBE 2 HOLE L-24"/SP20" |
| 614611 | 1 | NOZZLE TUBE 3 HOLE L-44"/SP20" |
| 614612 | 1 | NOZZLE TUBE 4 HOLE L-64"/SP20" |
| 614613 | 1 | NOZZLE TUBE 5 HOLE L-83.5"/20" |
| 614638 | 1 | NOZZLE TUBE 1 HOLE L-4.125" |
| 614647 | 1 | NOZZLE TUBE L=600mm NO HOLES |
| 614648 | 1 | NOZZLE TUBE L=1100mm NO HOLES |
| 614649 | 1 | NOZZLE TUBE L=1600mm NO HOLES |
| 614650 | 1 | NOZZLE TUBE L=2100mm NO HOLES |
| 615468 | 1 | NOZZLE TUBE MARKED 1" 24" |
| 615469 | 1 | NOZZLE TUBE MARKED 1" 44" |
| 615470 | 1 | NOZZLE TUBE MARKED 1" 54" |
| 615471 | 1 | NOZZLE TUBE MARKED 1" 64" |
| 615472 | 1 | NOZZLE TUBE MARKED 1" 74" |
| 615473 | 1 | NOZZLE TUBE MARKED 1" 92" |
| 741685 | 1 | NOZZLE HOLDER COMPLETE/5 PCS |
| 741688 | 1 | NOZZLE HOLDER COMPLETE/10PCS |
| 741730 | 1 | CLAMP,NZLE BKT BAG OF 5 50X30 |
| 741733 | 1 | CLAMP,NZLE BKT BAG OF 10 50X30 |
| 741734 | 1 | CLAMP,NZLE BKT BAG OF 5 50X50 |
| 741737 | 1 | CLAMP,NZLE BKT BAG OF 10 50X50 |
| 741738 | 1 | CLAMP,NZLE BKT BAG OF 5 80X60 |
| 741741 | 1 | CLAMP,NZLE BKT BAG OF 10 80x60 |
| 741778 | 1 | CLAMP,NZL BKT BAG OF 10 100x60 |
| 16110803 | 1 | NOZZLE BRACKET VAR SPACINGS |
| 33487300 | 1 | NOZZLE HOLDER - BOTTOM HALF |



E0420

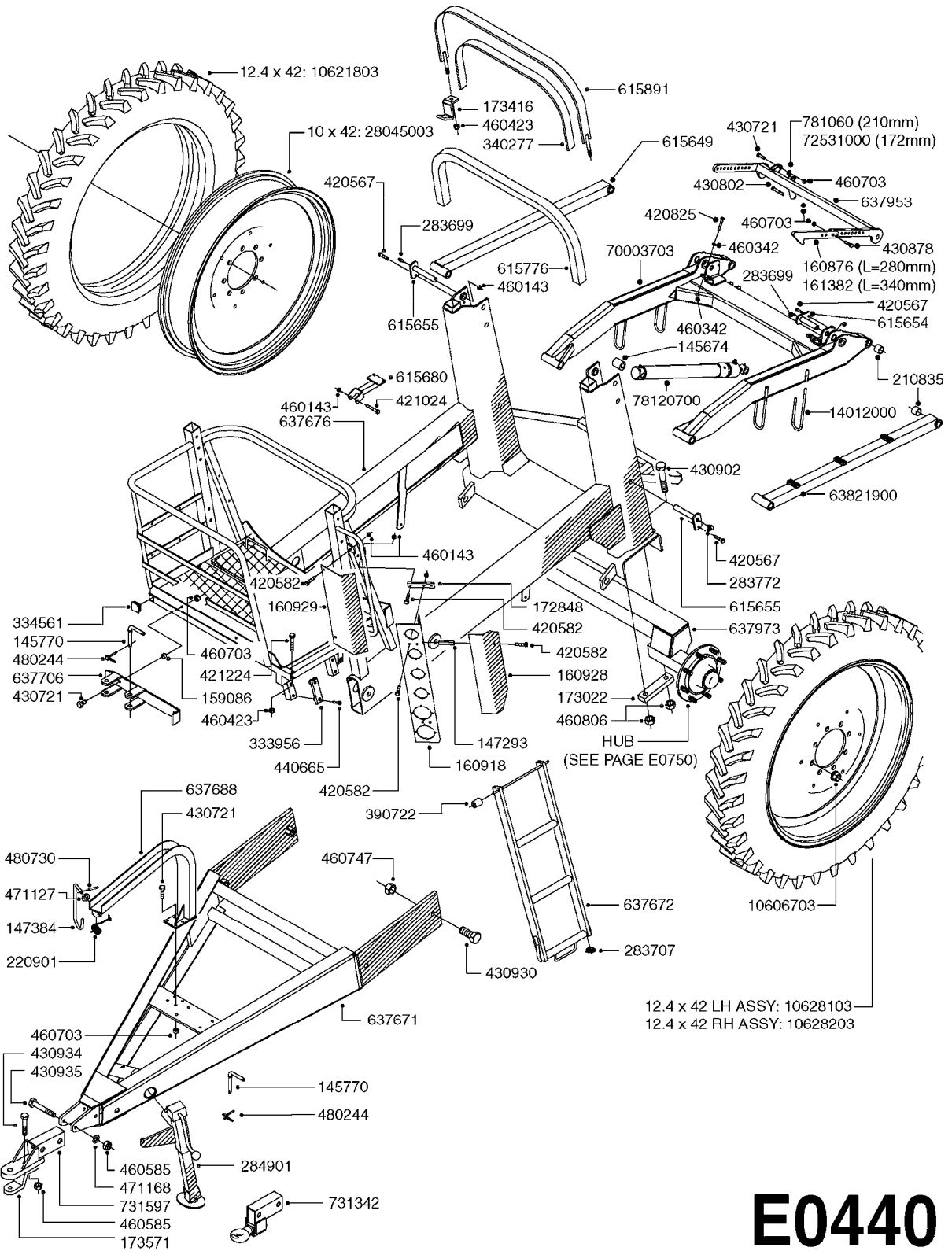


TANK - CM750
E0420-HIN, 01:01:16

Page 1

Date 04.11.2017 13:50

| parts-n° | order qty | description |
|----------|-----------|-----------------------------------|
| 145994 | 1 | FITT.DK S-40 FORK |
| 145996 | 1 | FITT.DK S-67 FORK |
| 146611 | 1 | CLAMP D3/32-37MM |
| 147519 | 1 | CLAMP D3/32 L=52MM |
| 242020 | 1 | O-RING 39.2 X 3 VITON |
| 242353 | 1 | O-RING D44.2X3.0 VITON F.S-67 |
| 242355 | 1 | O-RING D19.2X3.0 VITON F.S-40 |
| 284585 | 1 | CLAMP HOSE GEAR 1" MINI 020 |
| 320795 | 1 | FITT.DK NUT 1-1/2" BSP JAMB |
| 322066 | 1 | FITT.DK S-56 NUT |
| 322097 | 1 | THREADED RING F. LID |
| 322102 | 1 | FITT.DK S-40 BULKHEAD |
| 322104 | 1 | FITT.DK S-67 BULKHEAD |
| 322106 | 1 | FITT.DK S-40 BULKHEAD NUT |
| 322108 | 1 | FITT.DK S-67 BULKHEAD NUT |
| 322224 | 1 | FITT.DK S-67 TEE |
| 330072 | 1 | O-RING D53.5/D45.5X4 |
| 334100 | 1 | FITT.DK S-61 ELB.1" 110 DEG. |
| 334238 | 1 | FITT.DK S-40 ELB.1/2" |
| 334243 | 1 | HOSE TAIL 90° S67 1" |
| 334244 | 1 | HOSE TAIL 90° S67 1"1/4 |
| 334248 | 1 | FITT.DK S-40 PLUG |
| 334259 | 1 | GASKET F. S-40 BULKHEAD |
| 334261 | 1 | GASKET F. S-67 BULKHEAD |
| 334445 | 1 | HOSE TAIL 90° S67 1"1/2 |
| 334469 | 1 | CLEVIS F.CORD TOP DRAIN ASSY. |
| 334472 | 1 | HANDLE FOR TOP DRAIN |
| 334512 | 1 | FITT.DK SPEC.ELB.1-1/4"110DEG |
| 334517 | 1 | END CAP F. SPARGER TUBE |
| 334534 | 1 | CLAMP HOSE PLASTIC 1/2" |
| 334573 | 1 | CONNECTING PIECE S67-S67 |
| 341260 | 1 | SPARGE TUBE COMMANDER |
| 390401 | 1 | CORD NYLON F.LID 900MM |
| 390982 | 1 | CORD NYLON 4000MM |
| 430802 | 1 | BOLT HEX 8.8 DEL M12X75 |
| 440392 | 1 | SCREW 6.3 X 25.0 DIN7981C TORX |
| 460703 | 1 | NUT HEX M12X1.75 LOCK DIN985A2 SS |
| 614588 | 1 | SEAL F. LID |
| 614602 | 1 | FILTER BASKET |
| 722971 | 1 | SAFETY VALVE SCF 217PSI(15BAR) |
| 726003 | 1 | LID F. TANK |
| 727742 | 1 | TOP DRAIN CORD TYPE |
| 729602 | 1 | TOP SUCTION KIT NAV 2" |
| 731185 | 1 | TANK ASSY COMPLETE CM750 |
| 978403 | 1 | DECAL COMPANY 280 X 450 |
| 978427 | 1 | DECAL COMMANDER 125 X 600MM |
| 14001500 | 1 | GROMMET F.TOP DRAIN CORD |
| 28024103 | 1 | TIE STRAP L=8" x W=3/16" |
| 28029803 | 1 | CLAMP HOSE GEAR P1/2" 6708 |
| 28030103 | 1 | CLAMP HOSE GEAR P5/4-S1.5"6724 |
| 92702103 | 1 | HOSE R X1/2" X300PSI WP X0012" |
| 92702403 | 1 | HOSE PVC SUCT GRAY 1" |
| 92712403 | 1 | HOSE R X1" X300PSI WP X0012" |
| 92738900 | 1 | HOSE R X PVC X 1-1/4" 0012" |



E0440



FRAME CM 750
E0440-HIN, 01:01:16

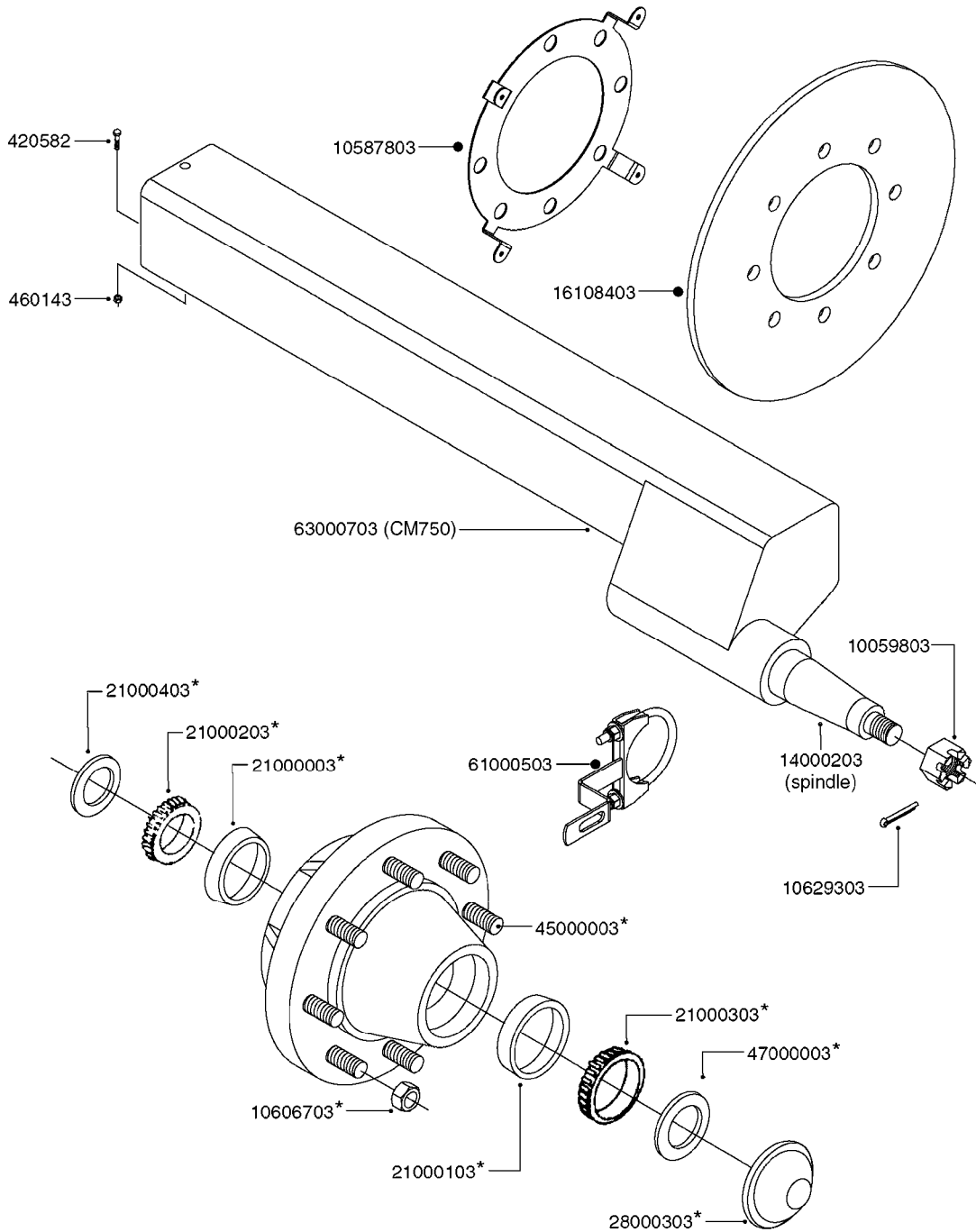
| parts-n° | order qty | description |
|----------|-----------|-----------------------------------|
| 145674 | 1 | DISTANCE RING 0 40/25 X 42.5 |
| 145770 | 1 | LOCKING PAWL D16X110 |
| 147293 | 1 | STUD M8 FEMALE L=80 |
| 147384 | 1 | HOOK FOR PTO CM |
| 159086 | 1 | BUSHING D16.0/13.0 L=10MM |
| 160876 | 1 | HOOK F.TRANSPORT LOCK L=280MM |
| 160918 | 1 | BRACKET F. MANIFOLD CM |
| 160928 | 1 | COVER F. MANIFOLD RIGHT CM |
| 160929 | 1 | COVER F. MANIFOLD LEFT CM |
| 161382 | 1 | HOOK F.TRANSPORT LOCK L=340MM |
| 172848 | 1 | FLATBAR 30 X 8 L=140 |
| 173022 | 1 | FLATBAR 50X30 L=218/2XD22 |
| 173416 | 1 | TANK STRAP BRACKET CM750 |
| 173571 | 1 | FLATBAR F. USA HITCH CM750 |
| 210835 | 1 | BUSHING D28/25 L=25 |
| 220901 | 1 | SPRING F. PTO HOOK CM |
| 283699 | 1 | GREASE NIPPLE M6X1 |
| 283707 | 1 | PLUG 50X20X2 |
| 283772 | 1 | GREASE NIPPLE H3 M6 X 4 90° |
| 284901 | 1 | JACK COMPLETE FOR CM750 |
| 333956 | 1 | SLIDE SHOE 91X25X10 |
| 334561 | 1 | PLUG 50x50x2 F.SQ.TUBE |
| 340277 | 1 | TANK PACKING - 40mm WIDE x 12" |
| 390722 | 1 | BUSHING D26/11 L=32 F.LADDER |
| 420567 | 1 | BOLT HEX 8.8 DEL M8X30 FT |
| 420582 | 1 | BOLT HEX 8.8 DEL M8X20 FT A2 |
| 420825 | 1 | BOLT HEX 8.8 DEL M10X65 |
| 421024 | 1 | BOLT HEX 8.8 DEL M8X60 |
| 421224 | 1 | BOLT HEX 8.8 DEL M10X55 |
| 430721 | 1 | BOLT HEX 8.8 DEL M12X40 FT |
| 430802 | 1 | BOLT HEX 8.8 DEL M12X75 |
| 430878 | 1 | BOLT HEX 8.8 DEL M12X45 DIN931 |
| 430902 | 1 | BOLT HEX 8.8 M20X150 |
| 430930 | 1 | BOLT HEX 8.8 DEL M24X70 |
| 430934 | 1 | BOLT HEX 8.8 DEL M16X80 |
| 430935 | 1 | SCREW HM16-130/44 8.8 DAC DIN931 |
| 440665 | 1 | SCREW M4.2X16 STAINLESS |
| 460143 | 1 | NUT HEX M8X1.25 LOCK DIN985A2 SS |
| 460342 | 1 | NUT HEX M10 DEL DIN934 |
| 460423 | 1 | NUT HEX M10X1.50 LOCK DIN985A2 SS |
| 460585 | 1 | LOCKING NUT M16 DIN985 A2 SS |
| 460703 | 1 | NUT HEX M12X1.75 LOCK DIN985A2 SS |
| 460747 | 1 | NUT HEX M24 LOCK |
| 460806 | 1 | NUT HEX M20X2.50 LOCK DIN985A2 SS |
| 471127 | 1 | WASHER Z12N 13X24X2,5 RST |
| 471168 | 1 | PAIR OF WASHERS NL16 17X25,4x3,4 |
| 480244 | 1 | PIN SNAP D4.5 |
| 480730 | 1 | PIN ROLL 5X30 STAINLESS STEEL |
| 615649 | 1 | ARM UPPER F. PARALIFT |
| 615654 | 1 | PIN D25 X 123 F. PARALIFT |
| 615655 | 1 | PIN D25 X 156 F. PARALIFT |
| 615680 | 1 | MOUNT BKT.F.EC ON/OFF CM875 |
| 615776 | 1 | BRACE FOR FRAME CM |
| 615891 | 1 | TANK STRAP CM750 L=68.5" |
| 637671 | 1 | DRAWBAR WELDMENT CM750 |
| 637672 | 1 | LADDER F.CM |
| 637676 | 1 | PLATFORM CM750 |
| 637688 | 1 | PTO SUPPORT ARM F. CM |
| 637706 | 1 | JACK STORAGE BRACKET |
| 637953 | 1 | TRANSPORT SAFETY HOOK ARM ASSY |
| 637973 | 1 | AXLE W/M CM 750 |



FRAME CM 750
E0440-HIN, 01:01:16

Page 2
Date 04.11.2017 13:50

| parts-n° | order qty | description |
|----------|-----------|--------------------------------|
| 731342 | 1 | HITCH SWIVEL KIT F. CM750 |
| 731597 | 1 | HITCH CLEVIS KIT F.CM750 |
| 781060 | 1 | CYLINDER D25/12-50 L=210mm |
| 10606703 | 1 | NUT HEX NF 5/8" FLANGED F.STUD |
| 10621803 | 1 | TIRE 12.4 X 42' 10 PLY R1 |
| 10628103 | 1 | TIRE ASSY 12.4X42 10PLY 8BLTL |
| 10628203 | 1 | TIRE ASSY 12.4X42 10PLY 8BLTR |
| 14012000 | 1 | HOOK FOR HOSES PARALIFT |
| 28045003 | 1 | RIM 42X10 8/8/6 2.31-OS GRAY |
| 63821900 | 1 | PARALIFT ARM W/MOUNTS |
| 70003703 | 1 | PARALIFT CM BENT REINFORCED |
| 72531000 | 1 | CYL. D25/12-50/78124200 W/FITT |
| 78120700 | 1 | SIN.CYL.Ø60/25-725 2XØ25 LEFT |



*28050103 - COMPLETE HUB ASSEMBLY

COMPLETE ASSEMBLIES
WHOLEGOODS ITEMS

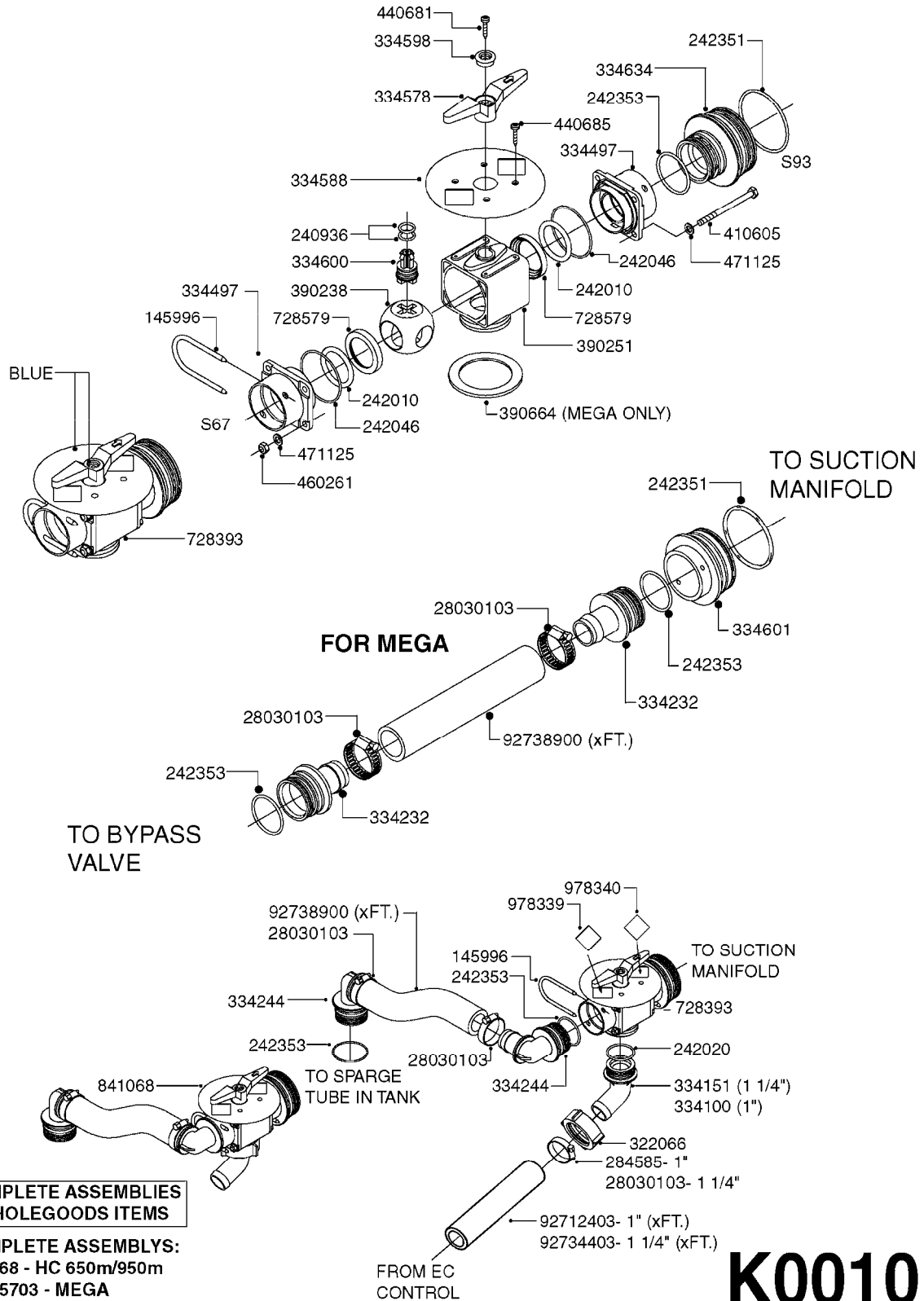
E0750



HUB ASSY F. 3" SPINDLE CM750
E0750-HIN, 01:01:16

Page 1
Date 04.11.2017 13:50

| parts-n° | order qty | description |
|----------|-----------|---|
| 420582 | 1 | BOLT HEX 8.8 DEL M8X20 FT A2 |
| 460143 | 1 | NUT HEX M8X1.25 LOCK DIN985A2 SS |
| 10059803 | 1 | NUT HEX NF 1" |
| 10587803 | 1 | MAG MNT F. SPEED SNS 8 BOLT |
| 10606703 | 1 | NUT HEX NF 5/8" FLANGED F.STUD |
| 10629303 | 1 | PIN, COTTER 7/32" X 1.75" LONG |
| 14000203 | 1 | SPINDLE 3" X 16" W/NUT &WASHER |
| 16108403 | 1 | REINFORCEMENT RING 8-8-6 HUB FOR NON-REINFORCED 3/8" RIMS ONLY |
| 21000003 | 1 | BEARING INNER CUP #382A |
| 21000103 | 1 | BEARING OUTER CUP #LM501310 |
| 21000203 | 1 | BEARING INNER CONE #387AS |
| 21000303 | 1 | BEARING OUTER CONE #LM501349 |
| 21000403 | 1 | SEAL GREASE #CR29968 |
| 28000303 | 1 | DUST CAP #1609 |
| 28050103 | 1 | HUB F 3" 758 7500# PACKAGE |
| 45000003 | 1 | STUD BOLT 5/8" X 2-1/2" |
| 47000003 | 1 | WASHER SPNDL 3" 1.12X2.1 .25TK |
| 61000503 | 1 | SPEED SNS MNT CLAMP - 3" |
| 63000703 | 1 | AXLE INSERT W/M CM750 |



COMPLETE ASSEMBLIES
WHOLEGOODS ITEMS

COMPLETE ASSEMBLYS:
841068 - HC 650m/950m
10545703 - MEGA

K0010

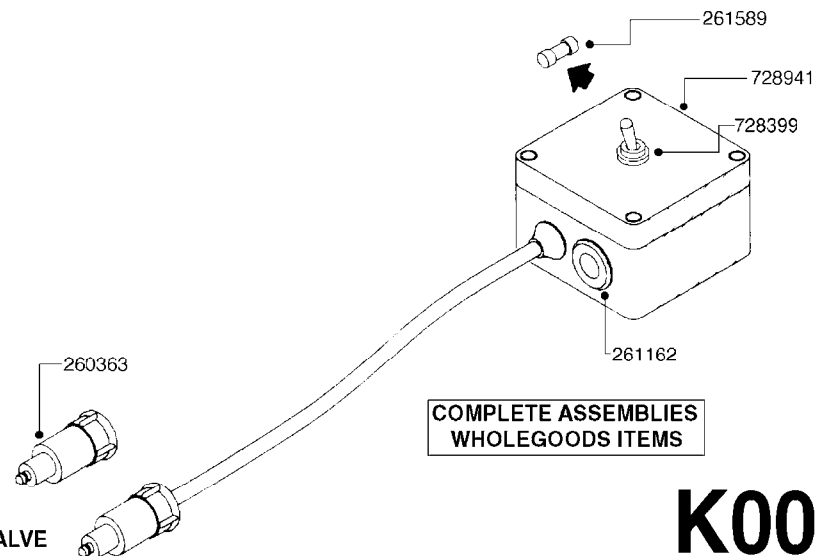
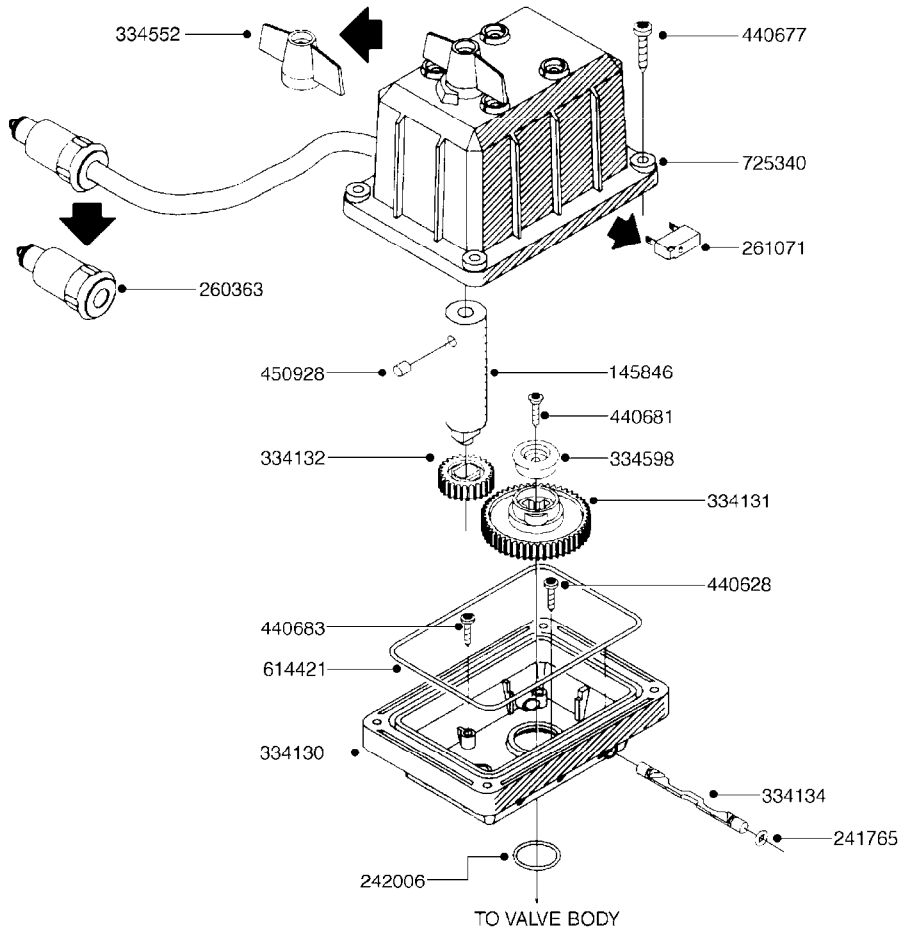


AGITATN BYPAS VALV-MANIFLD SYS
K0010-HIN, 01:01:16

Page 1

Date 04.11.2017 13:50

| parts-n° | order qty | description |
|----------|-----------|-----------------------------------|
| 145996 | 1 | FITT.DK S-67 FORK |
| 240936 | 1 | O-RING D13.3X2.4 NITRIL |
| 242010 | 1 | O-RING D37.47X5.33 |
| 242020 | 1 | O-RING 39.2 X 3 VITON |
| 242046 | 1 | O-RING D60X2 |
| 242351 | 1 | O-RING D69.5X3.0 VITON F.S-93 |
| 242353 | 1 | O-RING D44.2X3.0 VITON F.S-67 |
| 284585 | 1 | CLAMP HOSE GEAR 1" MINI 020 |
| 322066 | 1 | FITT.DK S-56 NUT |
| 334100 | 1 | FITT.DK S-61 ELB.1" 110 DEG. |
| 334151 | 1 | FITT.DK S-61 ELB.1-1/4"110 DEG |
| 334232 | 1 | HOSE TAIL S67 1"1/4 STRAIGHT |
| 334244 | 1 | HOSE TAIL 90° S67 1"1/4 |
| 334497 | 1 | END COVER 3 WAY VALVE S-67 |
| 334578 | 1 | HANDLE FOR VALVE 'OLD' STYLE |
| 334588 | 1 | FACE PLATE F. BALL VALVE BLUE |
| 334598 | 1 | PLUG F.VALVE HANDLE BLUE |
| 334600 | 1 | SPINDLE F.3 WAY VALVE |
| 334601 | 1 | FITTING S93M- S67F |
| 334634 | 1 | FITT.DK ADAPTER S-93M S67M |
| 390238 | 1 | BALL F. 3 WAY PRESSURE VALVE |
| 390251 | 1 | MOTOR HOUSING F. 3-WAY VALVE |
| 390664 | 1 | WASHER NYLON D85.0/D7.0X3.0 |
| 410605 | 1 | BOLT HEX 8.8 DEL M6X80 |
| 440681 | 1 | SCREW F. PLASTIC 4MM X 14LG SS |
| 440685 | 1 | SCREW F.PLASTIC 4X14 SS C-SUNK |
| 460261 | 1 | NUT HEX M6X1.00 LOCK DIN985 A2 SS |
| 471125 | 1 | WASHER M6U 6.4X14X1.2,A2 SS |
| 728393 | 1 | VALVE 3 WAY F.AGITAT.SHUTOFF |
| 728579 | 1 | SEAL F BALL |
| 841068 | 1 | AGITATION BYPASS KIT |
| 978339 | 1 | DECAL MANIFOLD SYS.AGIT.RETU |
| 978340 | 1 | DECAL MANIFOLD SYS.PUMP SUCT |
| 10545703 | 1 | *AGITATION BYPASS KIT MEGA |
| 28030103 | 1 | CLAMP HOSE GEAR P5/4-S1.5"6724 |
| 92712403 | 1 | HOSE R X1" X300PSI WP X0012" |
| 92734403 | 1 | HOSE R X5/4" X200PSI WP X0012" |
| 92738900 | 1 | HOSE R X PVC X 1-1/4" 0012" |



834363 - AGITATION BYPASS VALVE

K0020

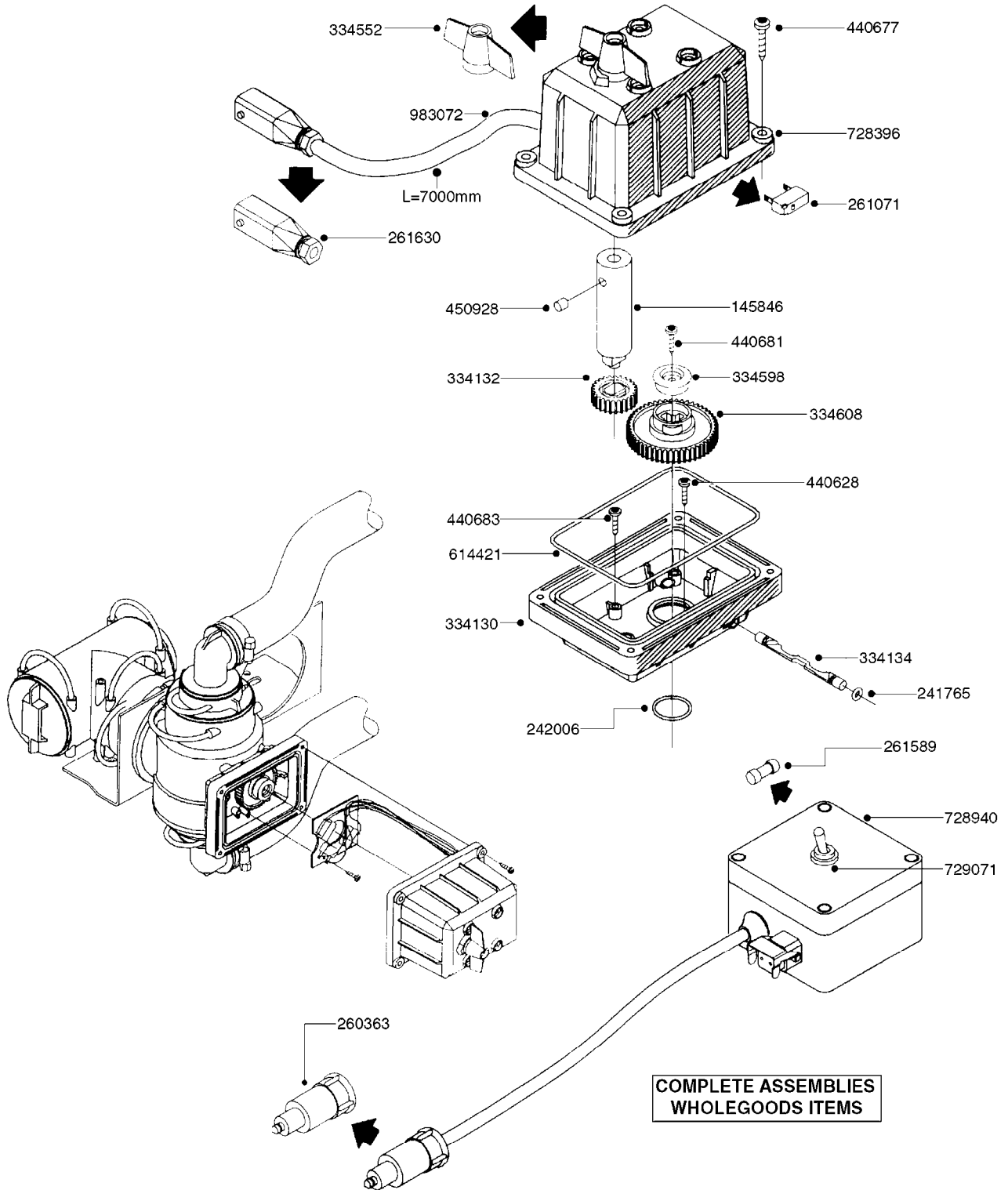


BALL VALVE-ELECTRIC 2-WAY
K0020-HIN, 01:01:16

Page 1

Date 04.11.2017 13:50

| parts-n° | order qty | description |
|----------|-----------|--------------------------------|
| 145846 | 1 | COUPLING FOR EL 3-WAY VALVE |
| 241765 | 1 | O-RING 3.1 X 1.6 |
| 242006 | 1 | O-RING D22/D19 X 1.5 |
| 260363 | 1 | PLUG 2 POLE 12V |
| 261071 | 1 | MICRO SWITCH TYPE 9 SM 201 |
| 261162 | 1 | SOCKET F.12V BAYONET PLUG |
| 261589 | 1 | FUSE 5 X 20 1.25 AMP |
| 334130 | 1 | GEAR BOX |
| 334131 | 1 | COG WHEEL |
| 334132 | 1 | COG WHEEL |
| 334134 | 1 | INDICATOR ROD |
| 334552 | 1 | GRIP F.MAN.OP.EC PRES.REG.GREE |
| 334598 | 1 | PLUG F.VALVE HANDLE BLUE |
| 440628 | 1 | SCREW 3/8' |
| 440677 | 1 | SCREW F. PLASTIC 5X20 SS |
| 440681 | 1 | SCREW F. PLASTIC 4MM X 14LG SS |
| 440683 | 1 | SCREW 40X18 2WAY ELC.BALL VALV |
| 450928 | 1 | SET SCREW M8 X 8MM STAINLESS |
| 614421 | 1 | GASKET F/MOTOR HOUSE-ON/OFF TR |
| 725340 | 1 | MOTOR HOUSING FOR EL VALVE |
| 728399 | 1 | CIRCUIT BOARD F.728941 |
| 728941 | 1 | CONTROL BOX F.2-WAY VALVE ELC. |
| 834363 | 1 | ELECTRIC KIT, AGITATION BYPASS |





BALL VALVE-ELECTRIC 3-WAY
K0030-HIN, 01:01:16

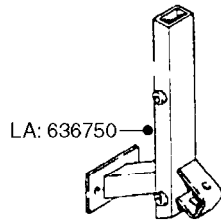
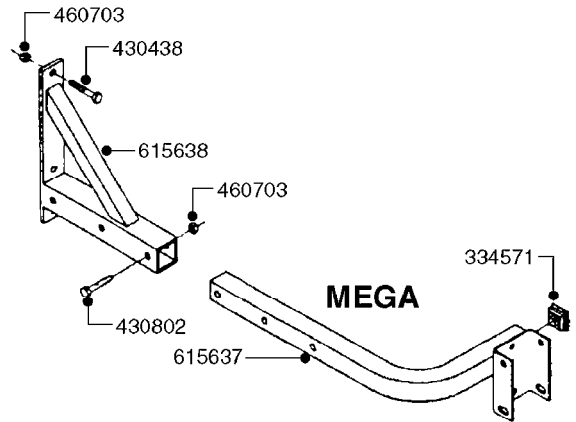
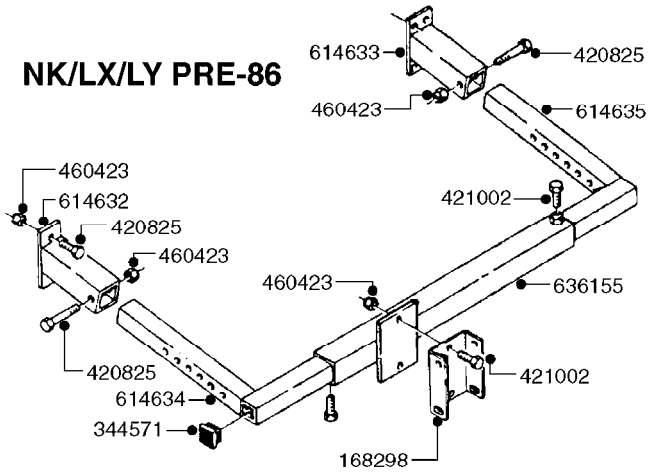
Page 1

Date 04.11.2017 13:50

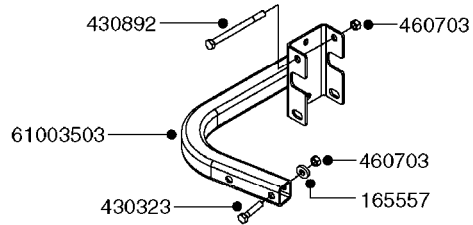
| parts-n° | order qty | description |
|----------|-----------|--------------------------------|
| 145846 | 1 | COUPLING FOR EL 3-WAY VALVE |
| 241765 | 1 | O-RING 3.1 X 1.6 |
| 242006 | 1 | O-RING D22/D19 X 1.5 |
| 260363 | 1 | PLUG 2 POLE 12V |
| 261071 | 1 | MICRO SWITCH TYPE 9 SM 201 |
| 261589 | 1 | FUSE 5 X 20 1.25 AMP |
| 261630 | 1 | PLUG MALE/HIRSHCMANN-3XBAL.VAL |
| 334130 | 1 | GEAR BOX |
| 334132 | 1 | COG WHEEL |
| 334134 | 1 | INDICATOR ROD |
| 334552 | 1 | GRIP F.MAN.OP.EC PRES.REG.GREE |
| 334598 | 1 | PLUG F.VALVE HANDLE BLUE |
| 334608 | 1 | GEAR WHEEL F.3X BALL VALVE |
| 440628 | 1 | SCREW 3/8' |
| 440677 | 1 | SCREW F. PLASTIC 5X20 SS |
| 440681 | 1 | SCREW F. PLASTIC 4MM X 14LG SS |
| 440683 | 1 | SCREW 40X18 2WAY ELC.BALL VALV |
| 450928 | 1 | SET SCREW M8 X 8MM STAINLESS |
| 614421 | 1 | GASKET F/MOTOR HOUSE-ON/OFF TR |
| 728396 | 1 | MOTOR UNIT F.BALL VALVE |
| 728940 | 1 | CONTROL BOX F. 3-WAY VALVE ELC |
| 729071 | 1 | PRINTPL.F.3-STILL.BOKS FORMONT |
| 834362 | 1 | ELECTRIC KIT F.MANIFOLD |
| 983072 | 1 | ELEC. CABLE 3 WIRE X 0.75MM |



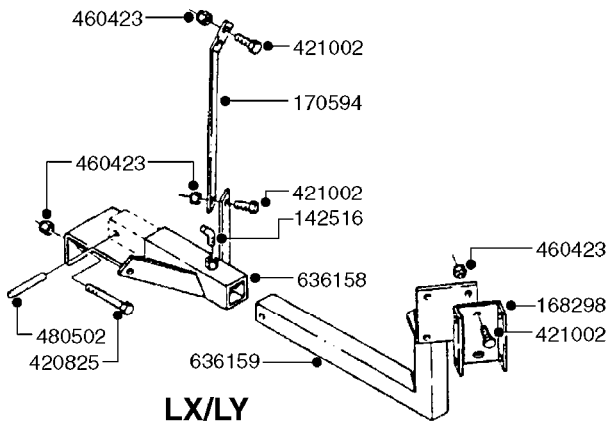
NK/LX/LY PRE-86



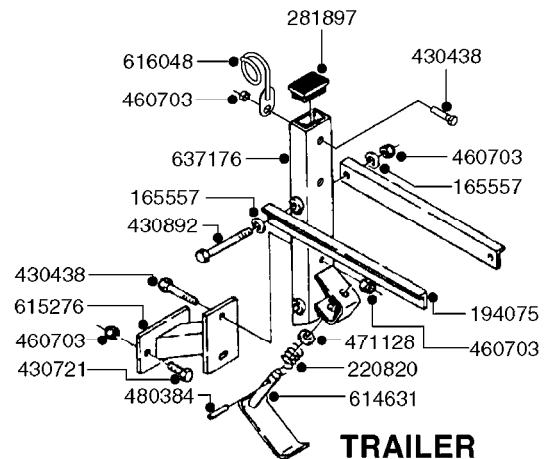
3PT TWIN



NEW NAVIGATOR



LX/LY



TRAILER

K0050

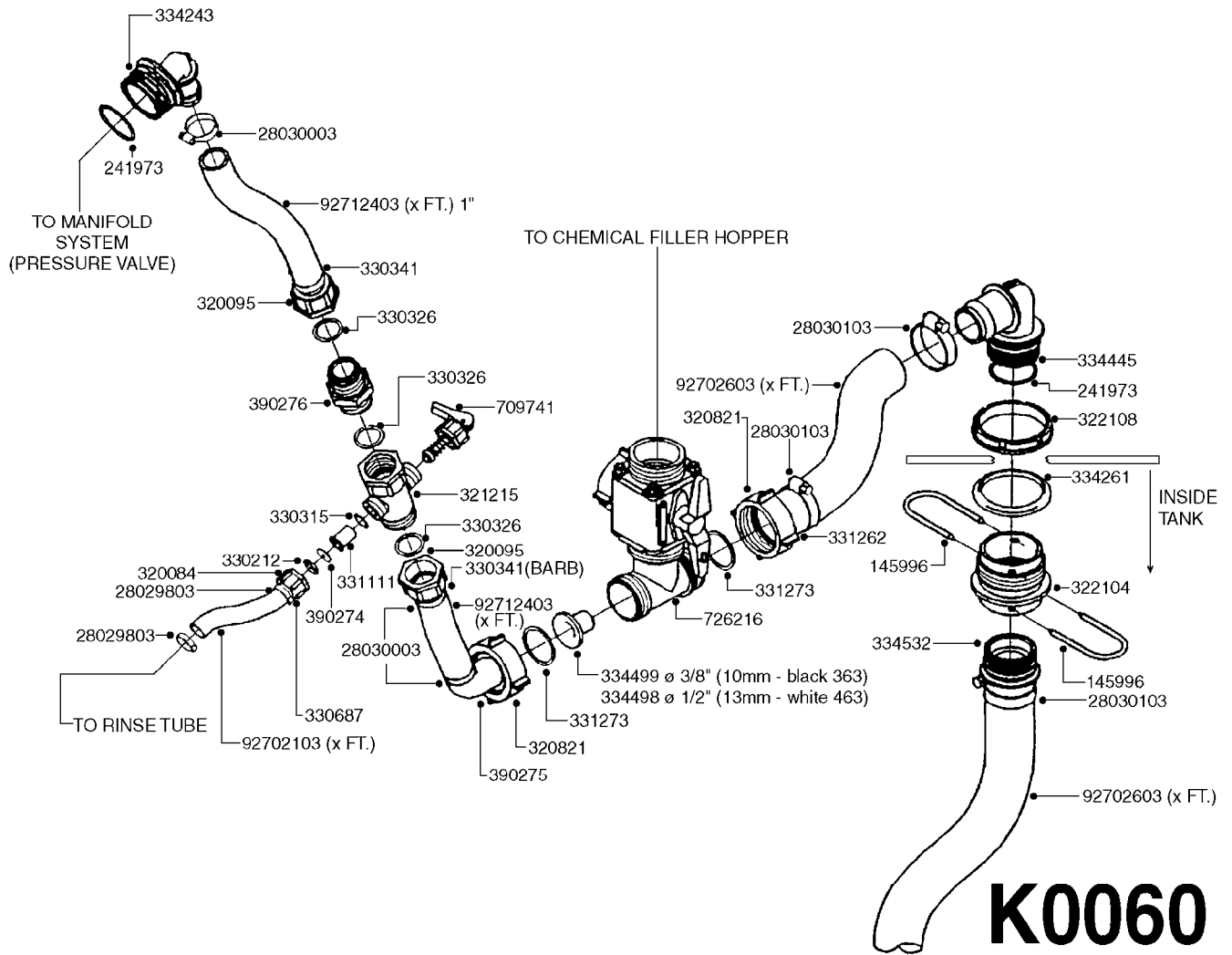
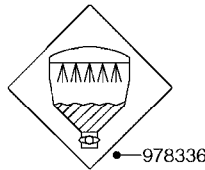


CHEM.FILLER-MOUNTING BRACKETS
K0050-HIN, 01:01:16

Page 1

Date 04.11.2017 13:50

| parts-n° | order qty | description |
|----------|-----------|-----------------------------------|
| 142516 | 1 | SCREW SET M10 BENT F. LOCKING |
| 165557 | 1 | WASHER D28.0/D12.2X2.0 SS |
| 168298 | 1 | INTERM BRACKET |
| 170594 | 1 | 170594 |
| 194075 | 1 | MOUNT ARM F.CHEM.FILL BRACKET |
| 220820 | 1 | SPRING D20.5/2.0 0-50MM |
| 281897 | 1 | COVER PLUG |
| 334571 | 1 | PLUG 40x40x2 F.SQ.TUBE |
| 420825 | 1 | BOLT HEX 8.8 DEL M10X65 |
| 421002 | 1 | BOLT HEX 8.8 DEL M10X30 FT DIN933 |
| 430323 | 1 | BOLT HEX 8.8 DEL M12X60 |
| 430438 | 1 | BOLT HEX 8.8 DEL M12X65 |
| 430721 | 1 | BOLT HEX 8.8 DEL M12X40 FT |
| 430802 | 1 | BOLT HEX 8.8 DEL M12X75 |
| 430892 | 1 | BOLT HEX 8.8 DEL M12X110 |
| 460423 | 1 | NUT HEX M10X1.50 LOCK DIN985A2 SS |
| 460703 | 1 | NUT HEX M12X1.75 LOCK DIN985A2 SS |
| 471128 | 1 | WASHER, M16, Ø30/17.0X 3.0, SS |
| 480384 | 1 | PIN COTTER 3/16 x 1-1/2" |
| 480502 | 1 | PIN RETAINING M10X50 DIN 1481 |
| 614631 | 1 | FOOT PEDAL FOR FILLER |
| 614632 | 1 | SOCKET FOR SUSPENSION LEFT |
| 614633 | 1 | SOCKET FOR SUSPENSION RIGHT |
| 614634 | 1 | MOUNT BRACKET F.ACCESS. RIGHT |
| 614635 | 1 | MOUNT BRACKET F. ACCESS. LEFT |
| 615276 | 1 | BRACKET F.CHEM.FILL MOUNT |
| 615637 | 1 | MNT. BRKT. MEGA CHEM. FILLER |
| 615638 | 1 | MOUNT BKT.F.CHEM FILLER MEGA |
| 616048 | 1 | HOSE HOLDER |
| 636155 | 1 | CENTER-PCS. F.SUSPENSION |
| 636158 | 1 | TELESCOPE HOLDER |
| 636159 | 1 | TELESCOPE PIPE F.HARDI FILLER |
| 636750 | 1 | 636750 |
| 637176 | 1 | CONSOLE F. CHEMFILL BRACKET |



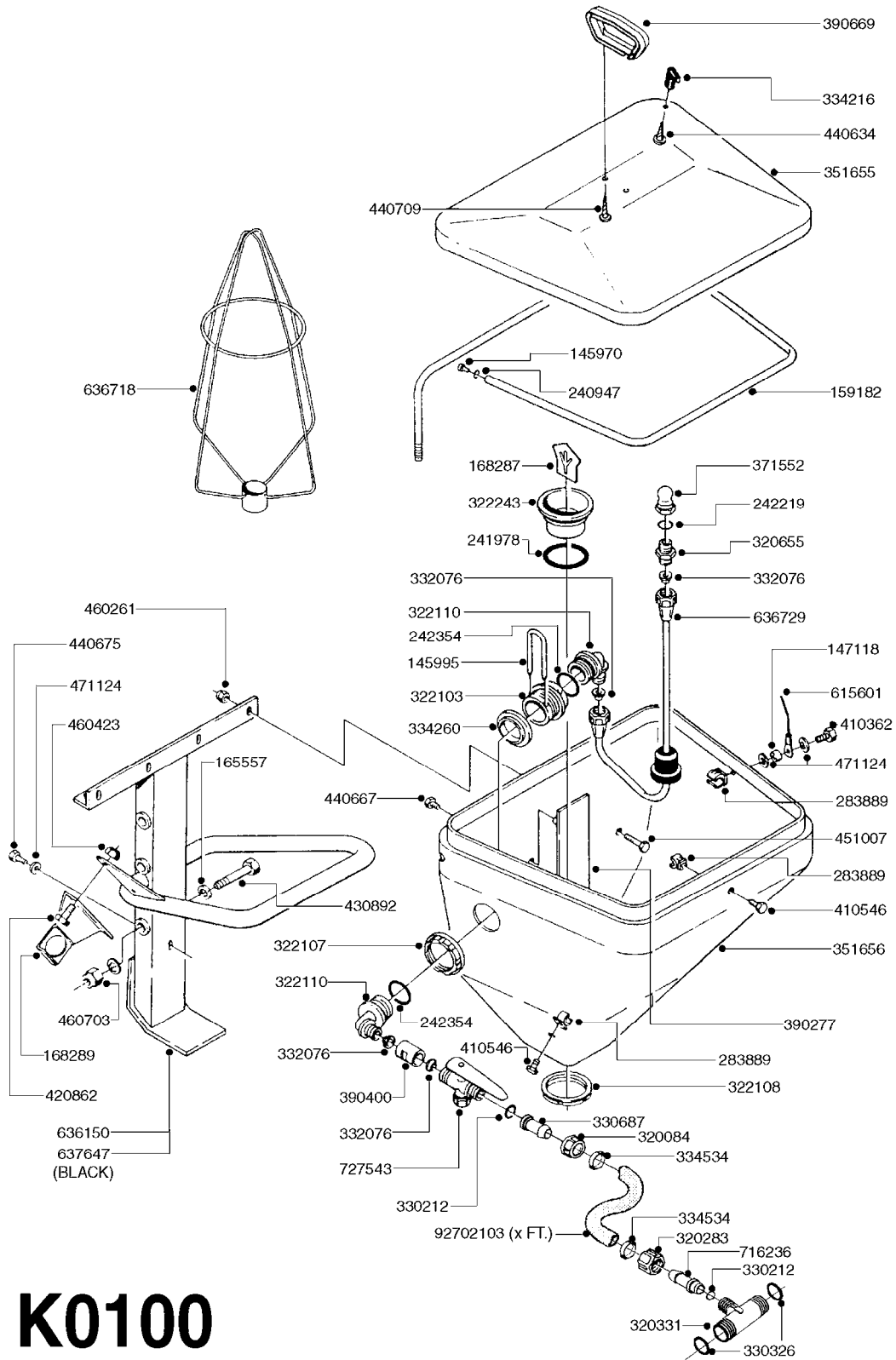


CHEM. FILLER-PLUMBING-MANIFOLD
K0060-HIN, 01:01:16

Page 1

Date 04.11.2017 13:50

| parts-n° | order qty | description |
|----------|-----------|-----------------------------------|
| 145996 | 1 | FITT.DK S-67 FORK |
| 241973 | 1 | O-RING Ø3 X 44,2 70 SHORES NITRIL |
| 320084 | 1 | FITT.DK NUT 1/2" BSP |
| 320095 | 1 | FITT.DK NUT 1" BSP |
| 320821 | 1 | FITT.DK NUT 1-1/2" BSP |
| 321215 | 1 | FITT.DK HOUSING F. AGITATION |
| 322104 | 1 | FITT.DK S-67 BULKHEAD |
| 322108 | 1 | FITT.DK S-67 BULKHEAD NUT |
| 330212 | 1 | O-RING D19/D14X2.4 F.1/2"NUT |
| 330315 | 1 | O-RING D18.4/D13X.6 |
| 330326 | 1 | O-RING D30/D24X2 F.1"NUT |
| 330341 | 1 | FITT.DK HB 1" F. 1" NUT |
| 330687 | 1 | FITT.DK HB 1/2" F. 1/2" NUT |
| 331111 | 1 | VALVE SEAT FOR 1/2" DISTRIBUT. |
| 331262 | 1 | FITT.DK HB 1-1/2" F. 1-1/2"NUT |
| 331273 | 1 | O-RING D44/D38X2 F.1-1/2" |
| 334243 | 1 | HOSE TAIL 90° S67 1" |
| 334261 | 1 | GASKET F. S-67 BULKHEAD |
| 334445 | 1 | HOSE TAIL 90° S67 1"1/2 |
| 334498 | 1 | NOZZLE INJECTOR 13MM/462 WHITE |
| 334499 | 1 | NOZZLE INJECTOR 10MM/361 BLACK |
| 334532 | 1 | FITT.DK S-67 STR.1-1/2' W/HOLE |
| 390274 | 1 | ORIFICE ID4.0/18/1.5 |
| 390275 | 1 | FITT.DK ELB 1' SPECIAL F.CHEMF |
| 390276 | 1 | FITT.DK HN 1'BSP |
| 709741 | 1 | VALVE ASSY. 1/2" FLIP LEVER |
| 726216 | 1 | VALVE TWO WAY |
| 978336 | 1 | DECAL MANIFOLD SYS.CHEM.FILL |
| 28029803 | 1 | CLAMP HOSE GEAR P1/2" 6708 |
| 28030003 | 1 | CLAMP HOSE GEAR P1" 6716 |
| 28030103 | 1 | CLAMP HOSE GEAR P5/4-S1.5"6724 |
| 92702103 | 1 | HOSE R X1/2" X300PSI WP X0012" |
| 92702603 | 1 | HOSE PVC SUCT GRAY 1-1/2" |
| 92712403 | 1 | HOSE R X1" X300PSI WP X0012" |



K0100



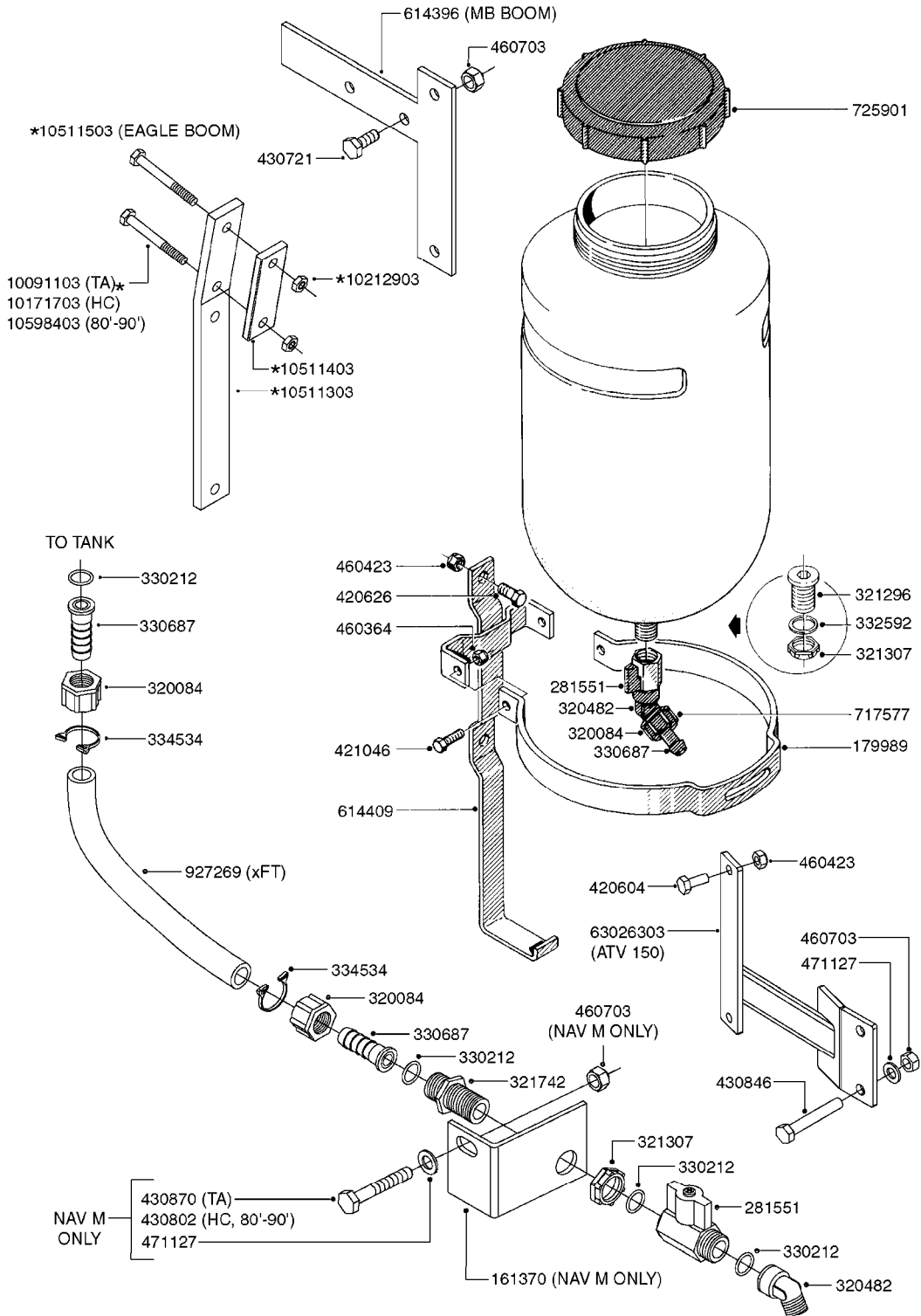
CHEMICAL FILLER-HOPPER (POST95)
K0100-HIN, 01:01:16

Page 1
Date 04.11.2017 13:50

| parts-n° | order qty | description |
|----------|-----------|-----------------------------------|
| 145970 | 1 | PLUG MF 11 X 1 |
| 145995 | 1 | FITT.DK S-53 FORK |
| 147118 | 1 | BUSHING 10,0/6,2 L=5 CHEM FILL |
| 159182 | 1 | RINSING TUBE CHEM.FILL |
| 165557 | 1 | WASHER D28.0/D12.2X2.0 SS |
| 168287 | 1 | PLATE ANTI-VORTEX F.CHEM FILL |
| 168289 | 1 | BRACKET F. 3-WAY VALVE |
| 240947 | 1 | O-RING D7.3X2.4 NITRIL |
| 241978 | 1 | O-RING 64.5X3.0 |
| 242219 | 1 | O-RING D16.3X2.4 VITON |
| 242354 | 1 | O-RING D32.2X3.0 VITON F.S-53 |
| 283889 | 1 | CLIP F.TUBE SUPPORT |
| 320084 | 1 | FITT.DK NUT 1/2" BSP |
| 320283 | 1 | FITT.DK NUT 3/4"BSP |
| 320331 | 1 | FITT.DK TEE 1" - 1" - 3/4" BSP |
| 320655 | 1 | FITT.DK HN 1/2"-1/2" BSP |
| 322103 | 1 | FITT.DK S-53 BULKHEAD |
| 322107 | 1 | FITT.DK S-53 BULKHEAD NUT |
| 322108 | 1 | FITT.DK S-67 BULKHEAD NUT |
| 322110 | 1 | FITT.DK S-53 ELB. 1/2" BSP |
| 322243 | 1 | DRAIN PIPE/CHEM FIL.S67/S56 |
| 330212 | 1 | O-RING D19/D14X2.4 F.1/2"NUT |
| 330326 | 1 | O-RING D30/D24X2 F.1"NUT |
| 330687 | 1 | FITT.DK HB 1/2" F. 1/2" NUT |
| 332076 | 1 | CONE INSERT F. ALUMINUM LANCE |
| 334216 | 1 | RUBBER LATCH FOR CHEM.FILL |
| 334260 | 1 | GASKET F. S-53 BULKHEAD |
| 334534 | 1 | CLAMP HOSE PLASTIC 1/2" |
| 351655 | 1 | LID CHEM FILL.25L POST 95 |
| 351656 | 1 | HOPPER F.CHEM FILL 25L POST'96 |
| 371552 | 1 | NOZZLE F.RINSING |
| 390277 | 1 | SCALE PLATE FOR HARDI FILLER |
| 390400 | 1 | FITT.DK BULKHEAD 1/2'X1/2' |
| 390669 | 1 | HANDLE F.CHEM FILLER |
| 410362 | 1 | BOLT HEX 8.8 SS M6X20 |
| 410546 | 1 | SCREW HEX M6X12 A2 SS DIN933 |
| 420862 | 1 | BOLT HEX 8.8 DEL M10X16 FT |
| 430892 | 1 | BOLT HEX 8.8 DEL M12X110 |
| 440634 | 1 | SCREW 5/8" |
| 440667 | 1 | SCREW M3.5X12 SLOT STAINLESS |
| 440675 | 1 | SCREW F. PLASTIC 5X16 SS |
| 440709 | 1 | SCREW 60X12 CHEM.FILL HANDLE |
| 451007 | 1 | SCREW M6X20 STAINLESS |
| 460261 | 1 | NUT HEX M6X1.00 LOCK DIN985 A2 SS |
| 460423 | 1 | NUT HEX M10X1.50 LOCK DIN985A2 SS |
| 460703 | 1 | NUT HEX M12X1.75 LOCK DIN985A2 SS |
| 471124 | 1 | WASHER L6U 6,4 X18 X 1.6 A2 SS |
| 615601 | 1 | BUNGEE CORD 21-1/4" |
| 636150 | 1 | FRAME FOR CHEM FILL TANK |
| 636718 | 1 | RINSE SUPPORT CHEM.FILL 25/35L |
| 636729 | 1 | TUBE F. RINSE CHEM FILL |
| 637647 | 1 | BRACKET F.CHEMFILL |
| 716236 | 1 | FITT.DK HB 1/2" ASSY. F. 3/4" |
| 727543 | 1 | VALVE F.CHEM FILL JUG RINSE |
| 92702103 | 1 | HOSE R X1/2" X300PSI WP X0012" |



CLEAN WATER TANK
K0130-HIN, 01:01:16



COMPLETE TANK ASSY : 722072

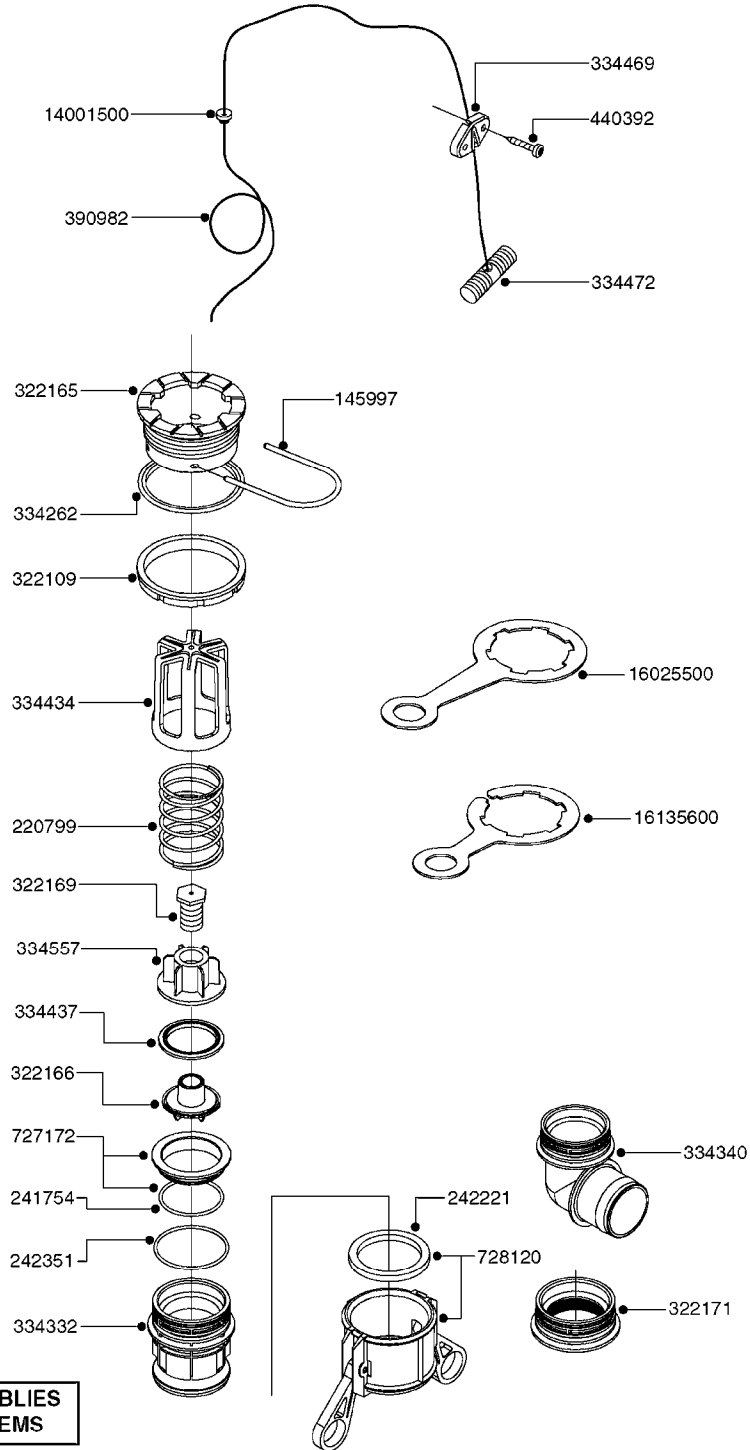
K0130



CLEAN WATER TANK
K0130-HIN, 01:01:16

Page 1
Date 04.11.2017 13:50

| parts-n° | order qty | description |
|----------|-----------|-----------------------------------|
| 161370 | 1 | BKT.CLEAN WATER BOTT. VALVE |
| 179989 | 1 | BRKT. F. 3 GAL. TANK |
| 281551 | 1 | BALL VALVE 1/2" |
| 320084 | 1 | FITT.DK NUT 1/2" BSP |
| 320482 | 1 | FITT.DK ELB. 1/2" BSP 60 DEG. |
| 321296 | 1 | FITT.DK BULKHEAD 1/2" BSP SING |
| 321307 | 1 | FITT.DK NUT 1/2" BSP JAMB |
| 321742 | 1 | FITT.DK BULKHEAD 1/2' BSP |
| 330212 | 1 | O-RING D19/D14X2.4 F.1/2"NUT |
| 330687 | 1 | FITT.DK HB 1/2" F. 1/2" NUT |
| 332592 | 1 | O-RING D26/D20X3 |
| 334534 | 1 | CLAMP HOSE PLASTIC 1/2" |
| 420604 | 1 | BOLT HEX 8.8 DEL M10X25 FT DIN933 |
| 420626 | 1 | BOLT HEX 8.8 DEL M10X20 FT |
| 421046 | 1 | SCREW HEX M8X25/25 A2 SS DIN933 |
| 430721 | 1 | BOLT HEX 8.8 DEL M12X40 FT |
| 430802 | 1 | BOLT HEX 8.8 DEL M12X75 |
| 430846 | 1 | BOLT HEX 8.8 DEL M12X80 |
| 430870 | 1 | BOLT HEX 8.8 DEL M12X55 FT |
| 460364 | 1 | NUT HU M8 A2 SS DIN934 |
| 460423 | 1 | NUT HEX M10X1.50 LOCK DIN985A2 SS |
| 460703 | 1 | NUT HEX M12X1.75 LOCK DIN985A2 SS |
| 471127 | 1 | WASHER Z12N 13X24X2,5 RST |
| 614396 | 1 | CLEAN WATER BRACKET MB |
| 614409 | 1 | BRACKET FOR FOAM MARKER |
| 717577 | 1 | VALVE F.CLEAN WATER TANK |
| 722072 | 1 | CLEAN WATER TANK W FRAME & TAP |
| 725901 | 1 | LID F.WATER BOTTLE VENTED |
| 927269 | 1 | HOSE R X PVC X 1/2 X 0012" |
| 10091103 | 1 | BOLT HEX 3/8 NC GR.2 03.00' |
| 10171703 | 1 | BOLT HEX 3/8 NC GR.2 03.50" |
| 10212903 | 1 | NUT HEX NC (NYLON LOCK) 3/8" |
| 10511303 | 1 | FLATBAR L350/17DEG.CLEAN WATER |
| 10511403 | 1 | FLATBAR 104MM CLEAN WATER |
| 10511503 | 1 | BKT.CLEAN WATER MOUNT EAGLE |
| 10598403 | 1 | BOLT HEX HCS3/8-16 X 4 Z 5 |
| 63026303 | 1 | CLEAN WATER TANK BRKT, ATV |



COMPLETE ASSEMBLIES
WHOLEGOODS ITEMS

727617 - COMPLETE ASSEMBLY (2" BSP THREADED FITTING & 126" CORD)

727742 - COMPLETE ASSEMBLY (2-1/2" ELBOW & 157.5" CORD)

K0180

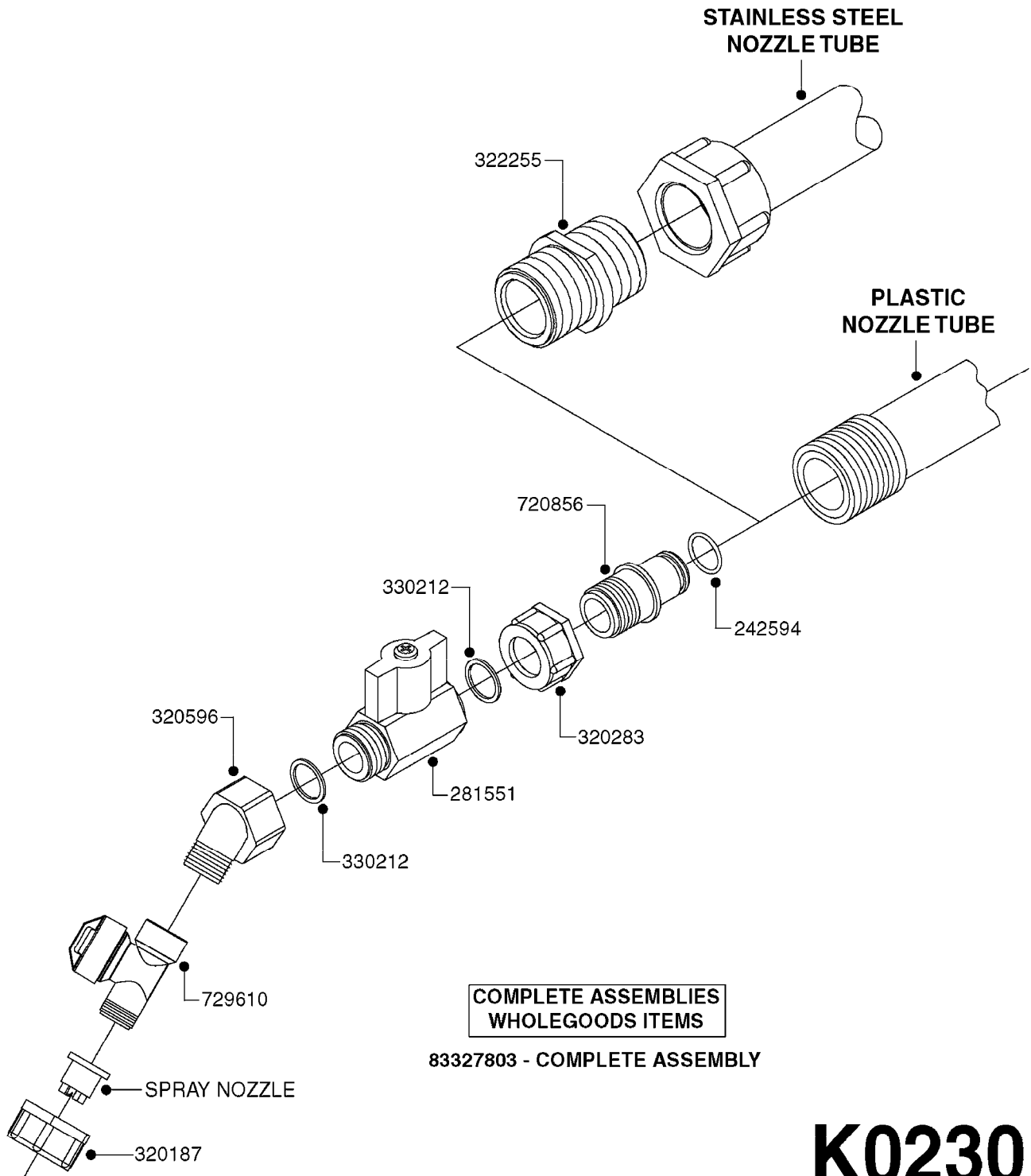


DRAIN ASSEMBLY-PULL CORD TYPE
K0180-HIN, 01:01:16

Page 1

Date 04.11.2017 13:50

| parts-n° | order qty | description |
|----------|-----------|--------------------------------|
| 145997 | 1 | FITT.DK S-93 FORK |
| 220799 | 1 | SPRING F.TOP DRAIN |
| 241754 | 1 | O-RING D59.5X3 |
| 242221 | 1 | GASKET F. S-93 QUICK COUPLERS |
| 242351 | 1 | O-RING D69.5X3.0 VITON F.S-93 |
| 322109 | 1 | FITT.DK S-93 BULKHEAD NUT |
| 322165 | 1 | FITT.DK S-93 BULKHEAD SINGLE |
| 322166 | 1 | VALVE FLAP LOWER PART |
| 322169 | 1 | CORD PLUG F.TOP DRAIN |
| 322171 | 1 | FITT.DK S-93 THREAD INS.2"BSP |
| 334262 | 1 | GASKET F.S-93 BULKHEAD |
| 334332 | 1 | FITT.DK S-93 MALE QUICK COUP. |
| 334340 | 1 | FITT.DK S-93 ELBOW 2.5" |
| 334434 | 1 | CAGE F.SPRING BOTTOM DRAIN ASY |
| 334437 | 1 | SEAL FOR VALVE FLAP |
| 334469 | 1 | CLEVIS F.CORD TOP DRAIN ASSY. |
| 334472 | 1 | HANDLE FOR TOP DRAIN |
| 334557 | 1 | SPRING SEAT TOP DRAIN |
| 390982 | 1 | CORD NYLON 4000MM |
| 440392 | 1 | SCREW 6.3 X 25.0 DIN7981C TORX |
| 727172 | 1 | FITT.DK S-93 SEAT INSERT |
| 727617 | 1 | FITT.DK S-93 BOTTOM VALVE 2' |
| 727742 | 1 | TOP DRAIN CORD TYPE |
| 728120 | 1 | QUICK COUPLER CAP F.S93 DRAIN |
| 14001500 | 1 | GROMMET F.TOP DRAIN CORD |
| 16025500 | 1 | TANK SPACER SIGHT GAUGE |
| 16135600 | 1 | GUIDE FOR SIGHT GAUGE NAV/NCM |



K0230

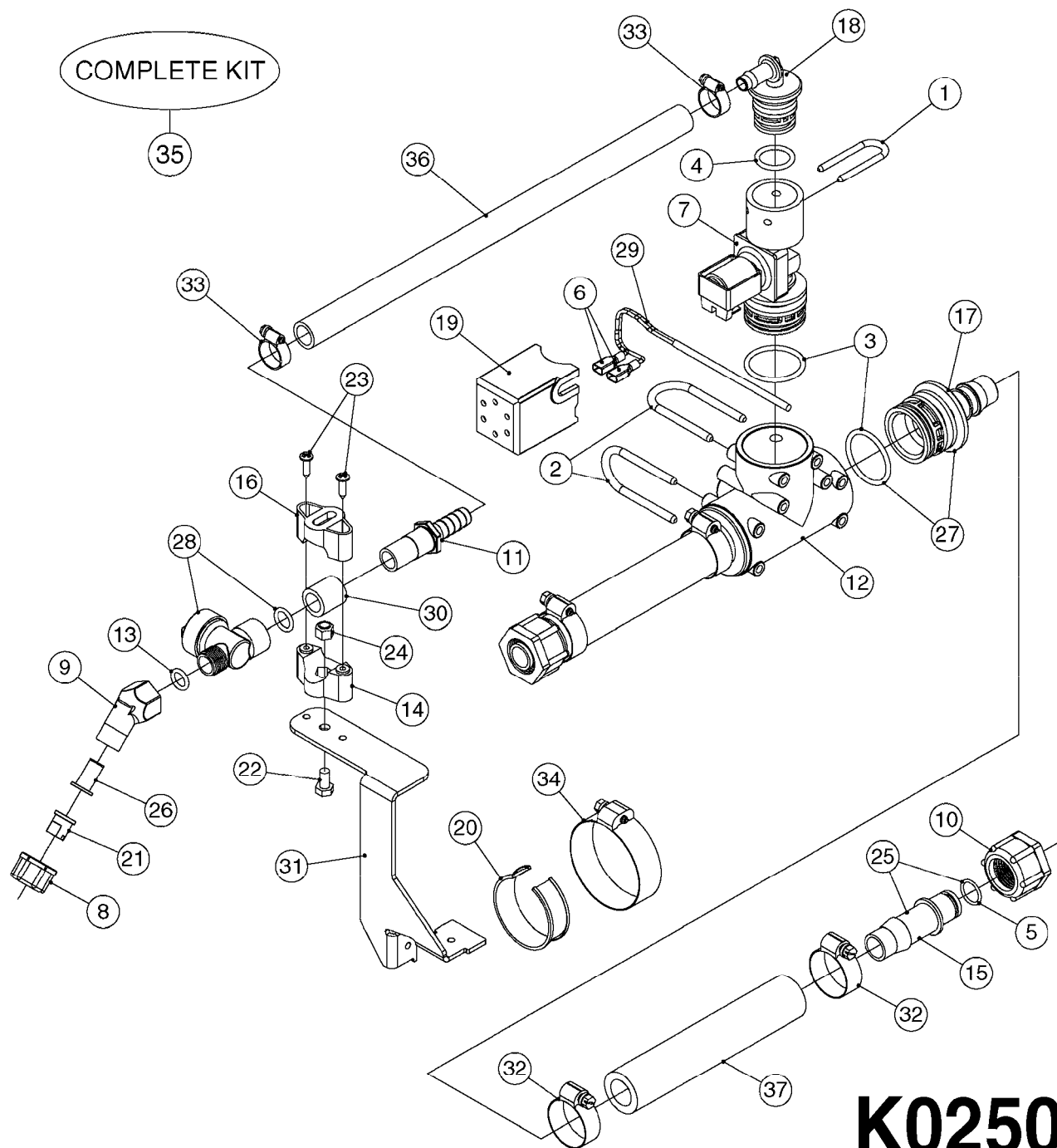


END NOZZLE KIT
K0230-HIN, 01:01:16

Page 1

Date 04.11.2017 13:50

| parts-n° | order qty | description |
|----------|-----------|--------------------------------|
| 242594 | 1 | O-RING D14 X 1.78 SCH.70-EPDM |
| 281551 | 1 | BALL VALVE 1/2" |
| 320187 | 1 | FITT.DK CAP 3/8" BSP BLACK |
| 320283 | 1 | FITT.DK NUT 3/4"BSP |
| 320596 | 1 | FITT.DK ELB 3/8'-1/2'BSP 45DEG |
| 322255 | 1 | FITT.DK NIPPLE 3/4"X 3/4" |
| 330212 | 1 | O-RING D19/D14X2.4 F.1/2"NUT |
| 720856 | 1 | FITT.DK 1/2'BSP ASSY.F.3/4'NUT |
| 729610 | 1 | NOZZLE ASSY. NON DRIP 3/8 THRD |
| 83327803 | 1 | END NOZZLE KIT "04" |





ELECTRIC END NOZZLE KIT '09
K0250-HIN, 01:01:16

| Pos. | parts-n° | order qty | description |
|------|----------|-----------|-----------------------------------|
| 1 | 145994 | 1 | FITT.DK S-40 FORK |
| 2 | 145995 | 1 | FITT.DK S-53 FORK |
| 3 | 242354 | 1 | O-RING D32.2X3.0 VITON F.S-53 |
| 4 | 242355 | 1 | O-RING D19.2X3.0 VITON F.S-40 |
| 5 | 242594 | 1 | O-RING D14 X 1.78 SCH.70-EPDM |
| 6 | 261539 | 1 | SPADE F.ELEC CONNec BLUE INSUL |
| 7 | 262104 | 1 | VALVE, SOLENOID, S53/S40 |
| 8 | 320187 | 1 | FITT.DK CAP 3/8" BSP BLACK |
| 9 | 320191 | 1 | FITT.DK ELB 3/8' BSP 45 DEGREE |
| 10 | 320283 | 1 | FITT.DK NUT 3/4"BSP |
| 11 | 320891 | 1 | FITT.DK HB 3/8'- 3/8' BSP |
| 12 | 322352 | 1 | FITT.DK S-53 TEE |
| 13 | 330013 | 1 | O-RING D15/D10X2.5 F.3/8"NUT |
| 14 | 333012 | 1 | NOZZLE HOLD. UPPER PART |
| 15 | 334044 | 1 | FITT.DK HB 3/4' F. 3/4' CAP |
| 16 | 334220 | 1 | YOKE, UPPER NOZZLE BODY |
| 17 | 334229 | 1 | FITT.DK S-53 STR.3/4" |
| 18 | 334237 | 1 | FITT.DK S-40 ELB.3/8" |
| 19 | 334965 | 1 | COVER FOR S53 SOLENOID VALVE |
| 20 | 341291 | 1 | RUBBER HOSE CLAMP COVER 130MM |
| 21 | 370392 | 1 | NOZZLE END FAN 1850-G 300 |
| 22 | 410546 | 1 | SCREW HEX M6X12 A2 SS DIN933 |
| 23 | 440665 | 1 | SCREW M4.2X16 STAINLESS |
| 24 | 460261 | 1 | NUT HEX M6X1.00 LOCK DIN985 A2 SS |
| 25 | 724621 | 1 | FITT.DK HB 3/4"ASSY F.3/4" NUT |
| 26 | 725042 | 1 | SCREEN 80 MESH W.GASKET, RED |
| 27 | 726558 | 1 | FITT.DK S53 STR. 3/4" W. ORING |
| 28 | 729610 | 1 | NOZZLE ASSY. NON DRIP 3/8 THRD |
| 29 | 983087 | 1 | ELEC. CABLE 2 WIRE X 0.75MM |
| 30 | 10631003 | 1 | HOSE R X CLEAR BRAID.X 1/2 12" |
| 31 | 16110803 | 1 | NOZZLE BRACKET VAR SPACINGS |
| 32 | 28029903 | 1 | CLAMP HOSE GEAR P3/4"-S1" 6712 |
| 33 | 28044903 | 1 | CLAMP HOSE GEAR P3/8" 6706 |
| 34 | 28047003 | 1 | CLAMP HOSE GEAR 30 X 50 6732 |
| 35 | 82613203 | 1 | ELECTRIC END NOZZLE KIT 2009 |
| 36 | 92701703 | 1 | HOSE R X3/8" X300PSI WP X0012" |
| 37 | 92703203 | 1 | HOSE R X3/4" X300PSI WP X0012" |



COMPLETE KIT NO
LONGER AVAILABLE.
FOR '09 KIT
SEE PAGE

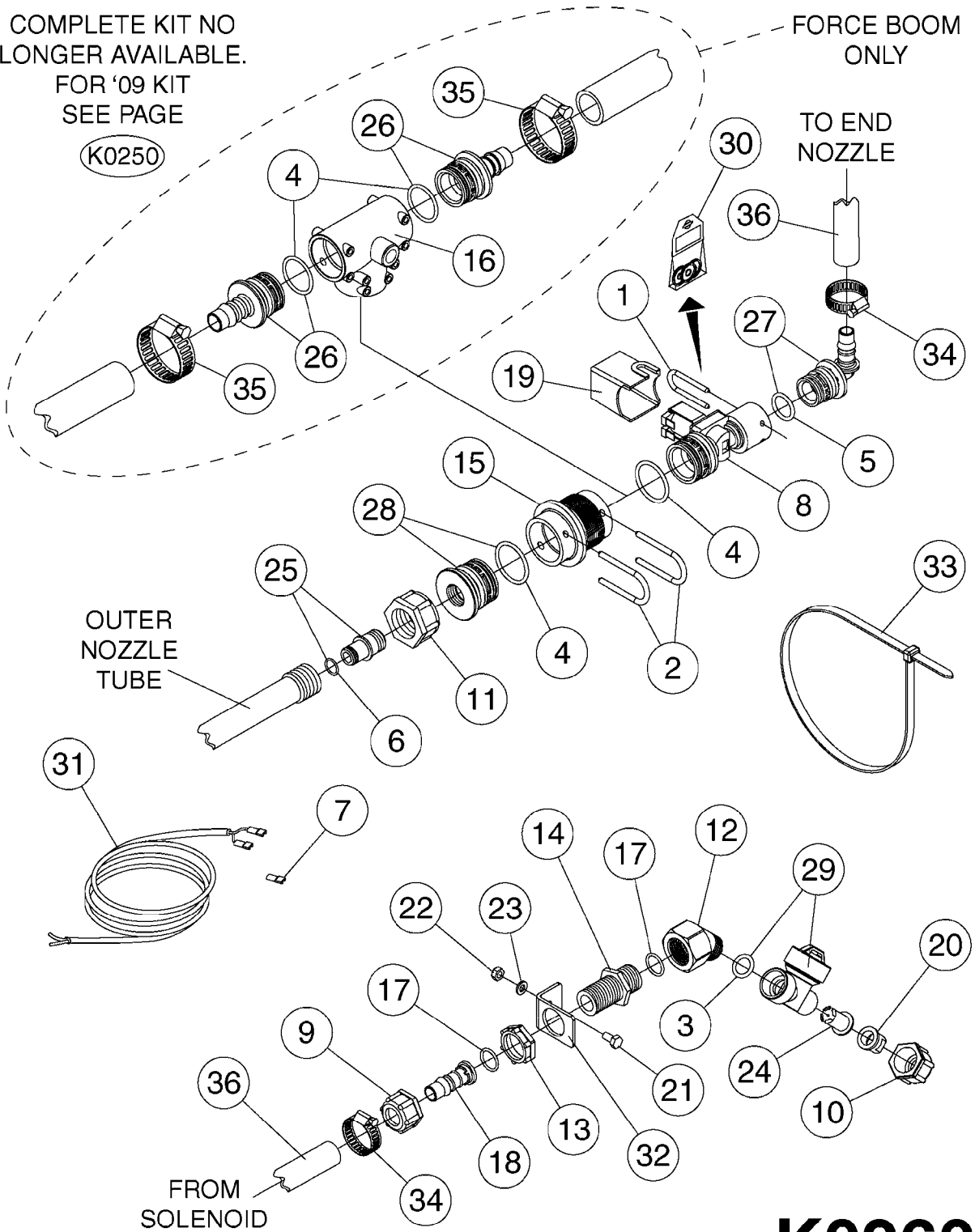
(K0250)

FORCE BOOM
ONLY

TO END
NOZZLE

OUTER
NOZZLE
TUBE

FROM
SOLENOID
ASSEMBLY



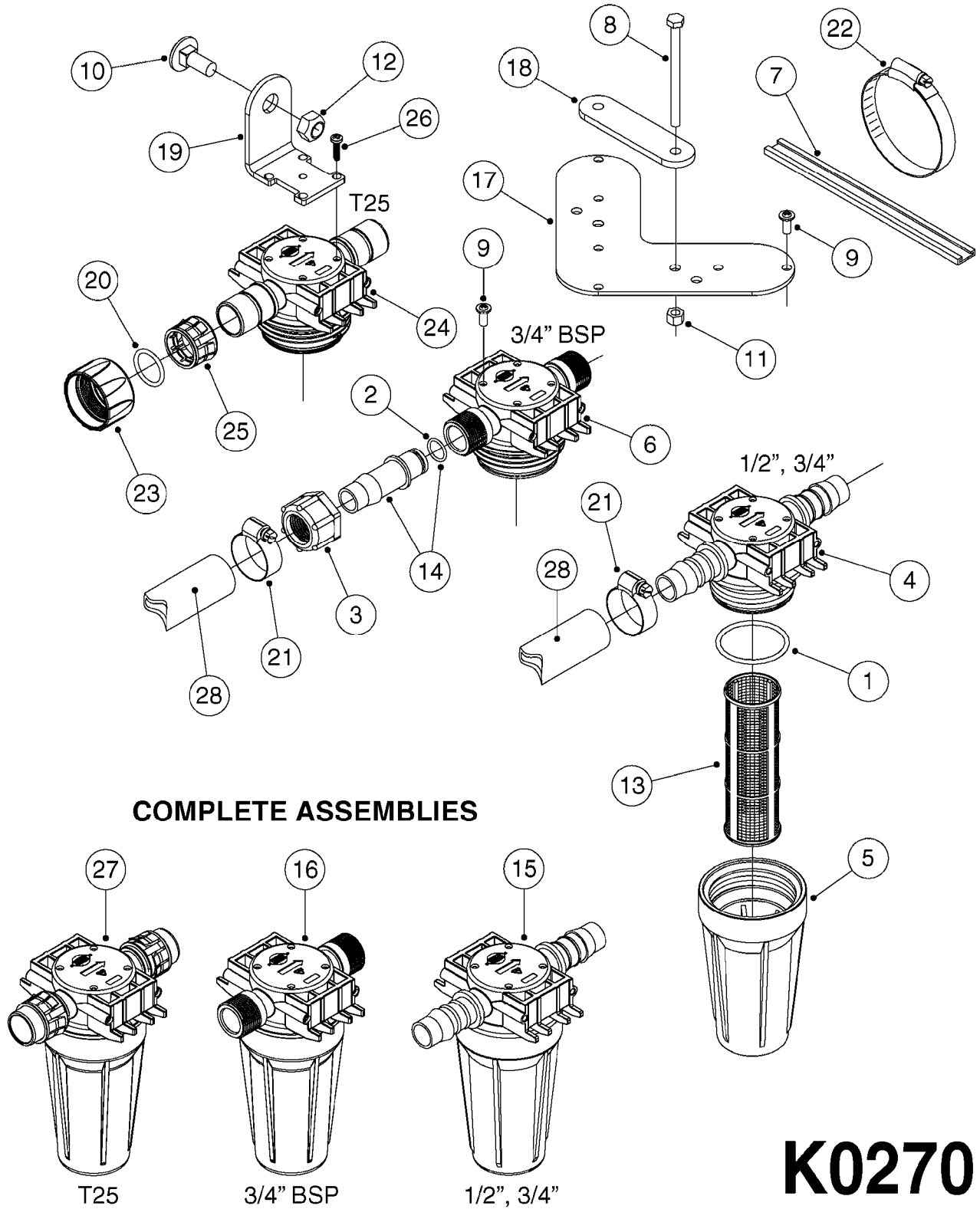
K0260



ELECTRIC END NOZZLE KIT '12
K0260-HIN, 01:01:16

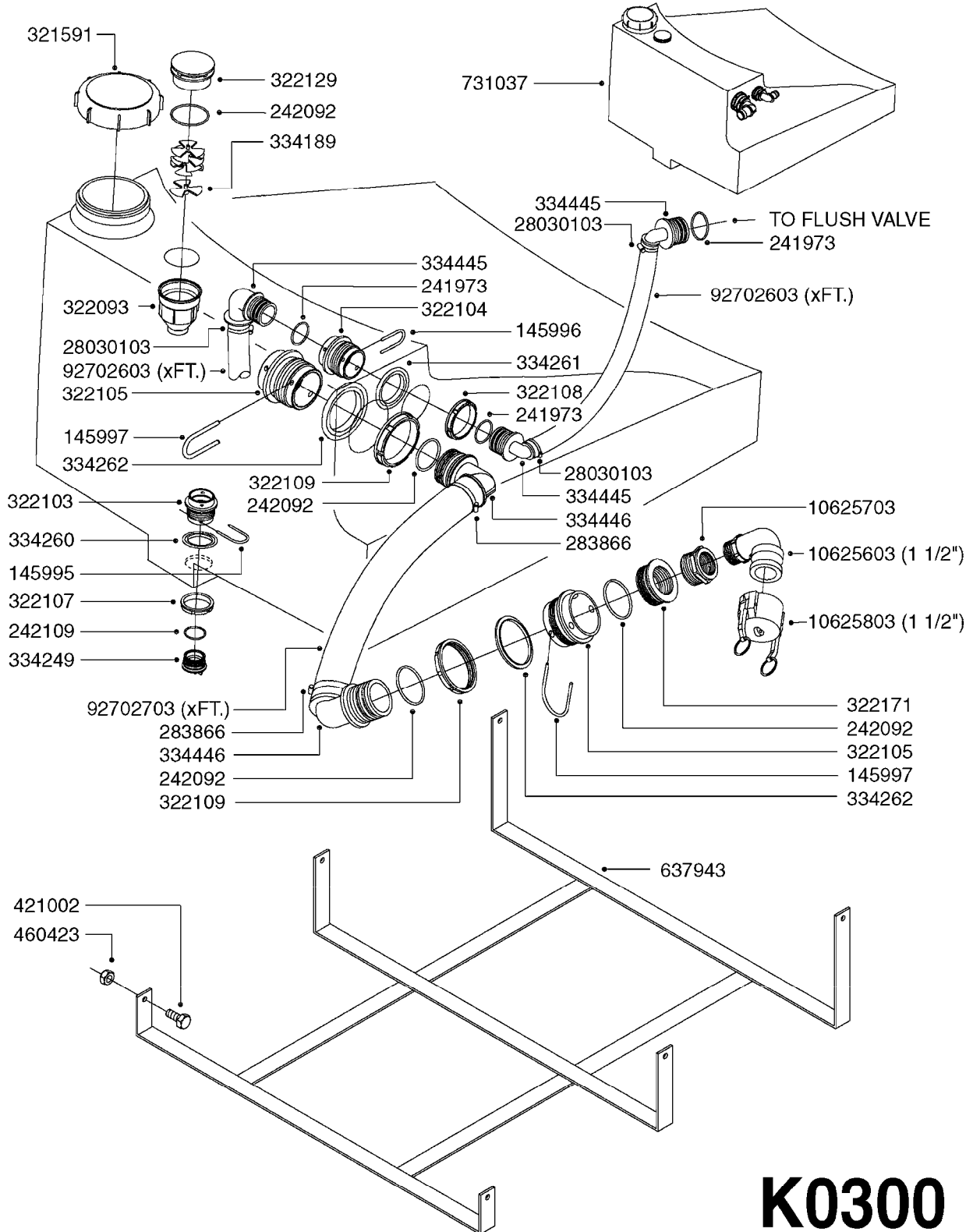
Page 1
Date 04.11.2017 13:50

| Pos. | parts-n° | order qty | description |
|------|----------|-----------|-----------------------------------|
| 1 | 145994 | 1 | FITT.DK S-40 FORK |
| 2 | 145995 | 1 | FITT.DK S-53 FORK |
| 3 | 240177 | 1 | O-RING D16.1/11.3 X 2.4 |
| 4 | 242354 | 1 | O-RING D32.2X3.0 VITON F.S-53 |
| 5 | 242355 | 1 | O-RING D19.2X3.0 VITON F.S-40 |
| 6 | 242594 | 1 | O-RING D14 X 1.78 SCH.70-EPDM |
| 7 | 261539 | 1 | SPADE F.ELEC CONNec BLUE INSUL |
| 8 | 262104 | 1 | VALVE, SOLENOID, S53/S40 |
| 9 | 320084 | 1 | FITT.DK NUT 1/2" BSP |
| 10 | 320187 | 1 | FITT.DK CAP 3/8" BSP BLACK |
| 11 | 320283 | 1 | FITT.DK NUT 3/4"BSP |
| 12 | 320596 | 1 | FITT.DK ELB 3/8'-1/2'BSP 45DEG |
| 13 | 321307 | 1 | FITT.DK NUT 1/2" BSP JAMB |
| 14 | 321742 | 1 | FITT.DK BULKHEAD 1/2' BSP |
| 15 | 322103 | 1 | FITT.DK S-53 BULKHEAD |
| 16 | 322352 | 1 | FITT.DK S-53 TEE |
| 17 | 330212 | 1 | O-RING D19/D14X2.4 F.1/2"NUT |
| 18 | 330687 | 1 | FITT.DK HB 1/2" F. 1/2" NUT |
| 19 | 334965 | 1 | COVER FOR S53 SOLENOID VALVE |
| 20 | 370366 | 1 | NOZZLE END FAN 1850-G 150 |
| 21 | 410185 | 1 | BOLT HEX 8.8 DEL M6X16 |
| 22 | 460261 | 1 | NUT HEX M6X1.00 LOCK DIN985 A2 SS |
| 23 | 471125 | 1 | WASHER M6U 6.4X14X1.2,A2 SS |
| 24 | 614366 | 1 | FILTER 50 MESH F.NOZZLE BLUE |
| 24 | 614367 | 1 | FILTER 80 MESH F.NOZZLE RED |
| 24 | 614368 | 1 | FILTER 100 MESH F.NOZZLE YEL. |
| 25 | 720856 | 1 | FITT.DK 1/2'BSP ASSY.F.3/4'NUT |
| 26 | 726558 | 1 | FITT.DK S53 STR. 3/4" W.ORING |
| 27 | 726567 | 1 | FITT.DK S-40 ELB.1/2" W.ORING |
| 28 | 726694 | 1 | PLUG,S53,1/2"FBSP THD W.ORING |
| 29 | 729610 | 1 | NOZZLE ASSY. NON DRIP 3/8 THRD |
| 30 | 750722 | 1 | REPAIR KIT FOR 3S SC CONTROL |
| 31 | 983087 | 1 | ELEC. CABLE 2 WIRE X 0.75MM |
| 32 | 16180100 | 1 | PLATE, END ROW NOZZLE |
| 33 | 28025203 | 1 | TIE STRAP L=23" x W=1/2" |
| 34 | 28029803 | 1 | CLAMP HOSE GEAR P1/2" 6708 |
| 35 | 28029903 | 1 | CLAMP HOSE GEAR P3/4"-S1" 6712 |
| 36 | 92702103 | 1 | HOSE R X1/2" X300PSI WP X0012" |





| Pos. | parts-n° | order qty | description |
|------|----------|-----------|-----------------------------------|
| 1 | 240925 | 1 | O-RING D49.5X3 NITRIL |
| 2 | 242594 | 1 | O-RING D14 X 1.78 SCH.70-EPDM |
| 3 | 320283 | 1 | FITT.DK NUT 3/4"BSP |
| 4 | 322241 | 1 | FILTER HOUSING W.3/4' BARBS |
| 4 | 322249 | 1 | FILTER HOUSING W.1/2' BARBS |
| 5 | 322242 | 1 | FILTER BOWL / IN-LINE |
| 6 | 322250 | 1 | FILTER HOUSING W.3/4"BSP THRD |
| 7 | 341291 | 1 | RUBBER HOSE CLAMP COVER 130MM |
| 7 | 341292 | 1 | RUBBER HOSE CLAMP COVER 180MM |
| 8 | 410605 | 1 | BOLT HEX 8.8 DEL M6X80 |
| 9 | 440673 | 1 | SCREW F.PLASTIC 5X12 SS |
| 10 | 440737 | 1 | BOLT CARRIAGE M10x25 SS |
| 11 | 460261 | 1 | NUT HEX M6X1.00 LOCK DIN985 A2 SS |
| 12 | 460423 | 1 | NUT HEX M10X1.50 LOCK DIN985A2 SS |
| 13 | 615443 | 1 | FILTER ELEM.50 MESH BLUE |
| 13 | 615444 | 1 | FILTER ELEM.80 MESH RED |
| 13 | 615445 | 1 | FILTER ELEM.100 MESH YELLOW |
| 14 | 716236 | 1 | FITT.DK HB 1/2" ASSY. F. 3/4" |
| 14 | 724621 | 1 | FITT.DK HB 3/4"ASSY F.3/4" NUT |
| 15 | 845205 | 1 | FILTER IN-LINE 1/2' 50 MESH |
| 15 | 845208 | 1 | FILTER IN-LINE 3/4' 50 MESH |
| 15 | 845209 | 1 | FILTER IN-LINE 3/4' 80 MESH |
| 15 | 845210 | 1 | FILTER IN-LINE 3/4" 100 MESH |
| 16 | 845218 | 1 | FILTER IN-LINE 3/4'50 MESH OML |
| 16 | 845219 | 1 | FILTER IN-LINE 3/4'80 MESH OML |
| 17 | 16022203 | 1 | PLATE 3.0 X 55 X 196 |
| 18 | 16022403 | 1 | BRACKET 60MM TUBE |
| 19 | 16321500 | 1 | LINE FILTER BRACKET, TDZ/DDZ |
| 20 | 24263000 | 1 | O-RING Ø24.4 X 3.1 NITRIL SH70 |
| 21 | 28029903 | 1 | CLAMP HOSE GEAR P3/4"-S1" 6712 |
| 22 | 28047103 | 1 | CLAMP HOSE GEAR 50 X 50 6740 |
| 22 | 28047203 | 1 | CLAMP HOSE GEAR 60 X 80 6756 |
| 23 | 32239700 | 1 | FITT.DK NUT T25 |
| 24 | 32239800 | 1 | FITT.DK IN-LINE FILTER TOP T25 |
| 25 | 33515500 | 1 | FITT.DK NUT LOCK RING T25 |
| 26 | 44076200 | 1 | PT SCREW 50X16 |
| 27 | 72700600 | 1 | FILTER IN-LINE 80 MESH, T25 |
| 28 | 92702103 | 1 | HOSE R X1/2" X300PSI WP X0012" |
| 28 | 92703203 | 1 | HOSE R X3/4" X300PSI WP X0012" |



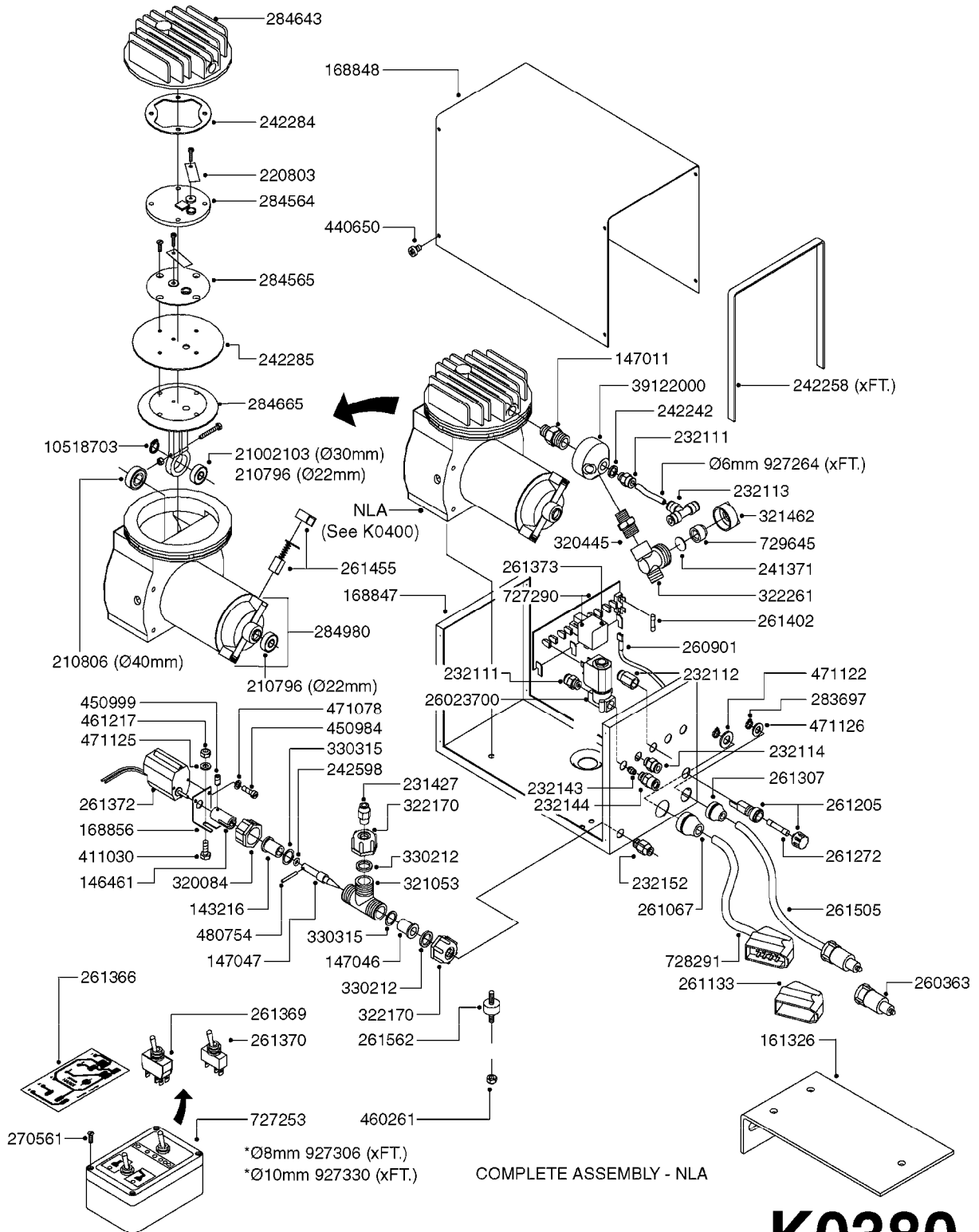
K0300



FLUSH SYS TANKMOUNT CM875/1200
K0300-HIN, 01:01:16

Page 1
Date 04.11.2017 13:50

| parts-n° | order qty | description |
|----------|-----------|-----------------------------------|
| 145995 | 1 | FITT.DK S-53 FORK |
| 145996 | 1 | FITT.DK S-67 FORK |
| 145997 | 1 | FITT.DK S-93 FORK |
| 241973 | 1 | O-RING Ø3 X 44,2 70 SHORES NITRIL |
| 242092 | 1 | O-RING D69.5X3 |
| 242109 | 1 | O-RING D32.2x3.0 |
| 283866 | 1 | CLAMP HOSE SCREW TYPE 2"DELTA |
| 321591 | 1 | LID 150MM NAV TK & FOAM MARKER |
| 322093 | 1 | HOUSING F.TANK VENT |
| 322103 | 1 | FITT.DK S-53 BULKHEAD |
| 322104 | 1 | FITT.DK S-67 BULKHEAD |
| 322105 | 1 | FITT.DK S-93 BULKHEAD DOUBLE |
| 322107 | 1 | FITT.DK S-53 BULKHEAD NUT |
| 322108 | 1 | FITT.DK S-67 BULKHEAD NUT |
| 322109 | 1 | FITT.DK S-93 BULKHEAD NUT |
| 322129 | 1 | LID F. TANK VENT ASSY. |
| 322171 | 1 | FITT.DK S-93 THREAD INS.2"BSP |
| 334189 | 1 | LIQUID SHIELD F. TANK VENT |
| 334249 | 1 | FITT.DK S-53 PLUG |
| 334260 | 1 | GASKET F. S-53 BULKHEAD |
| 334261 | 1 | GASKET F. S-67 BULKHEAD |
| 334262 | 1 | GASKET F.S-93 BULKHEAD |
| 334445 | 1 | HOSE TAIL 90° S67 1"1/2 |
| 334446 | 1 | FITT.DK S-93 ELB.2" PVC |
| 421002 | 1 | BOLT HEX 8.8 DEL M10X30 FT DIN933 |
| 460423 | 1 | NUT HEX M10X1.50 LOCK DIN985A2 SS |
| 637943 | 1 | FLUSH TANK MNT BRKT CM875/1200 |
| 731037 | 1 | TANK-FLUSH SYS.110G CM875/1200 |
| 10625603 | 1 | QUICK COUPLER 1.50X1.50 BSP 90 |
| 10625703 | 1 | FITT.PO.REDUCER 2.00 TO 1.50 |
| 10625803 | 1 | CAP F.MALE QUICK COUPLER 1.50" |
| 28030103 | 1 | CLAMP HOSE GEAR P5/4-S1.5"6724 |
| 92702603 | 1 | HOSE PVC SUCT GRAY 1-1/2" |
| 92702703 | 1 | HOSE PVC SUCT GRAY 2" |



COMPLETE ASSEMBLY - NLA

K0380



FOAM MARKER COMPRESSOR POST 94
K0380-HIN, 17:03:16

Page 1
Date 04.11.2017 13:50

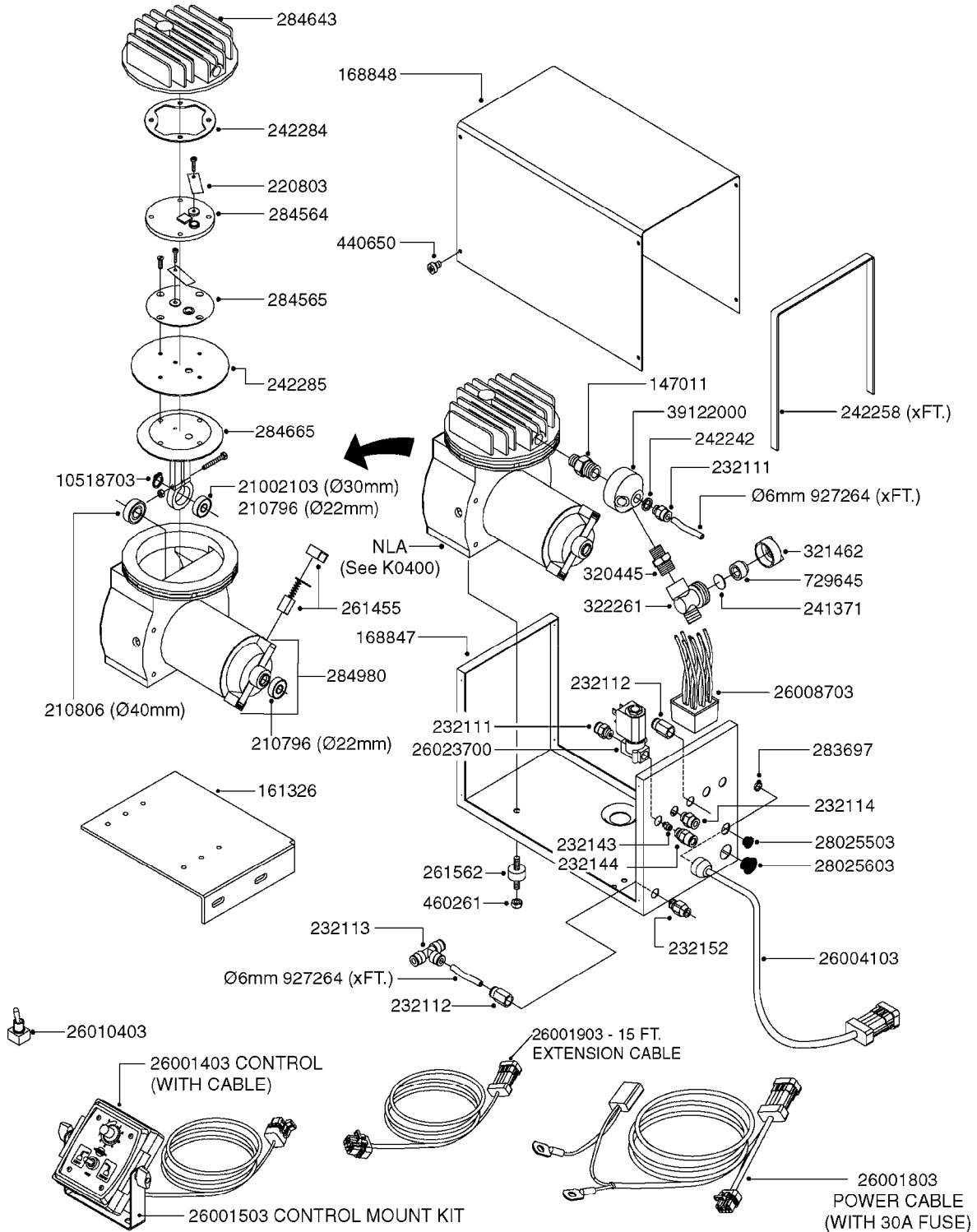
| parts-n° | order qty | description |
|----------|-----------|--------------------------------|
| 143216 | 1 | BUSHING THREAD F.FOAM MARKER |
| 146461 | 1 | COUPLER F.THROTTLE VALVE |
| 147011 | 1 | HEX NIPPLE 3/8'X1/4'BSP BRASS |
| 147046 | 1 | SEAT FOR THROTTLE VALVE |
| 147047 | 1 | SPINDLE FOR THROTTLE VALVE |
| 161326 | 1 | MOUNT BKT. F. FOAM COMP.BOX 98 |
| 168847 | 1 | ENCLOSURE LOWER F.MARKER |
| 168848 | 1 | COVER F. FOAM MARKER |
| 168856 | 1 | MOUNT FOR GEAR MOTOR |
| 210796 | 1 | BEARING BALL D22/D8 X 7 608ZZ |
| 210806 | 1 | BEARING BALL D40/D17X12MM |
| 220803 | 1 | VALVE F. COMPRESSOR |
| 231427 | 1 | COUPLER 1/8'THREAD X6MM HOSE |
| 232111 | 1 | QUICK COUPLER 6MM X 1/8 EXT. |
| 232112 | 1 | QUICK COUPLER 6MM 1/8 INT. |
| 232113 | 1 | QUICK COUPLER 6MM T-PIECE |
| 232114 | 1 | COUPLER 1/8" THREADX8MM HOSE |
| 232143 | 1 | REDUCER 1/4'INT-1/8'EXT |
| 232144 | 1 | QUICK COUPLER 10MM X 1/4 EXT |
| 232152 | 1 | QUICK COUPLER 8MMX1/8 EXT.LONG |
| 241371 | 1 | DIAPHRAGM, NO-DRIP alt 241371 |
| 242242 | 1 | O-RING F.AIR HOSE FITTING |
| 242258 | 1 | TRIM 3X10 SELF ADHESIVE 0012" |
| 242284 | 1 | HEAD GASKET F. COMPRESSOR |
| 242285 | 1 | DIAPHRAGM F. F/M COMP. |
| 242598 | 1 | O-RING D7.0 X 2.5 NITRIL |
| 260363 | 1 | PLUG 2 POLE 12V |
| 260901 | 1 | SPADE F.ELEC CONN.1.5MM BLUE |
| 261067 | 1 | GROMMET 10-14 GREY |
| 261133 | 1 | PLUG HOUSING F.8 POLE PLUG |
| 261205 | 1 | FUSE HOLDER |
| 261272 | 1 | FUSE 10A D6X32 MM |
| 261307 | 1 | GROMMET 7-10 BLACK |
| 261366 | 1 | CIRCUIT BOARD F.F/M CONTROL |
| 261369 | 1 | SWITCH 2 WAY 12V SPRING RETURN |
| 261370 | 1 | SWITCH 2 WAY 12V |
| 261372 | 1 | GEAR MOTOR BOSCH 13RPM |
| 261373 | 1 | RELAY 12V/30W |
| 261402 | 1 | FUSE 3.15A SLOW BURN |
| 261455 | 1 | BRUSH KIT-FOAM MARKER MOTOR |
| 261505 | 1 | CABLE 2X4MM L8000MM |
| 261562 | 1 | RUBBER DAMPER 2XM6X25 |
| 270561 | 1 | SCREW W/SPRING ASSY. (QTY 1) |
| 283697 | 1 | TIESTRAP 200MM |
| 284564 | 1 | PLATE F.COMPRESSOR HEAD |
| 284565 | 1 | PLATE F.COMPRESSOR HEAD |
| 284643 | 1 | COMPRESSOR HEAD F.FOAM MARKER |
| 284665 | 1 | CONNECTING ROD F.COMPRESSOR |
| 284980 | 1 | FLANGE REAR F. F.M.COMPRESSOR |
| 320084 | 1 | FITT.DK NUT 1/2" BSP |
| 320445 | 1 | FITT.DK HN 1/4"X3/8" BSP |
| 321053 | 1 | FITT.DK TEE 1/2 X1/2 X1/2" BSP |
| 321462 | 1 | CAP F.NO-DRIP ASSY. |
| 322170 | 1 | FITT.DK NUT 1/2"x 1/8"F BSP |
| 322261 | 1 | HOUSING F.SAFETY VALVE 3/8" |
| 330212 | 1 | O-RING D19/D14X2.4 F.1/2"NUT |
| 330315 | 1 | O-RING D18.4/D13X.6 |
| 411030 | 1 | BOLT HEX M5X10 |
| 440650 | 1 | SCREW 3.5x13 STAINLESS |
| 450984 | 1 | BOLT HEX M2.5X8 SLOTTED |
| 450999 | 1 | SCREW SET M3X8 |



FOAM MARKER COMPRESSOR POST 94
K0380-HIN, 17:03:16

Page 2
Date 04.11.2017 13:50

| parts-n° | order qty | description |
|----------|-----------|-----------------------------------|
| 460261 | 1 | NUT HEX M6X1.00 LOCK DIN985 A2 SS |
| 461217 | 1 | NUT HEX M5 LOCK |
| 471078 | 1 | WASHER D2.7/D5 |
| 471122 | 1 | WASHER, M10, Ø20/10.5X 2.0, SS |
| 471125 | 1 | WASHER M6U 6.4X14X1.2,A2 SS |
| 471126 | 1 | WASHER, M8, Ø16/ 8.4X 1.6, SS |
| 480754 | 1 | PIN D2 X 16 |
| 727253 | 1 | CONTROL BOX FOR FOAM MARKER |
| 727290 | 1 | CIRCUIT BOARD F. F-M W. RELAY |
| 728291 | 1 | CABLE 7x.5 L8000MM+8 POL.CONN. |
| 729645 | 1 | NON-DRIP SPRING ASSY.GREEN 10 |
| 927264 | 1 | HOSE R X PE D6/D4 X 0012" |
| 927306 | 1 | HOSE R X PE D8/D6 X 0012"BLACK |
| 927330 | 1 | HOSE R X PE D10/D8 X 012"BLACK |
| 10518703 | 1 | SNAP-RING OUTER 8X1 |
| 21002103 | 1 | BEARING, 6200 2ZJEM (SKF) |
| 26023700 | 1 | SOLENOID VAL 12V 1/8' FLO '07 |
| 39122000 | 1 | DISTR.HOUSING F.FOAM MARKER'07 |



K0390

*Ø8mm 927306 (xFT.)
*Ø10mm 927330 (xFT.)

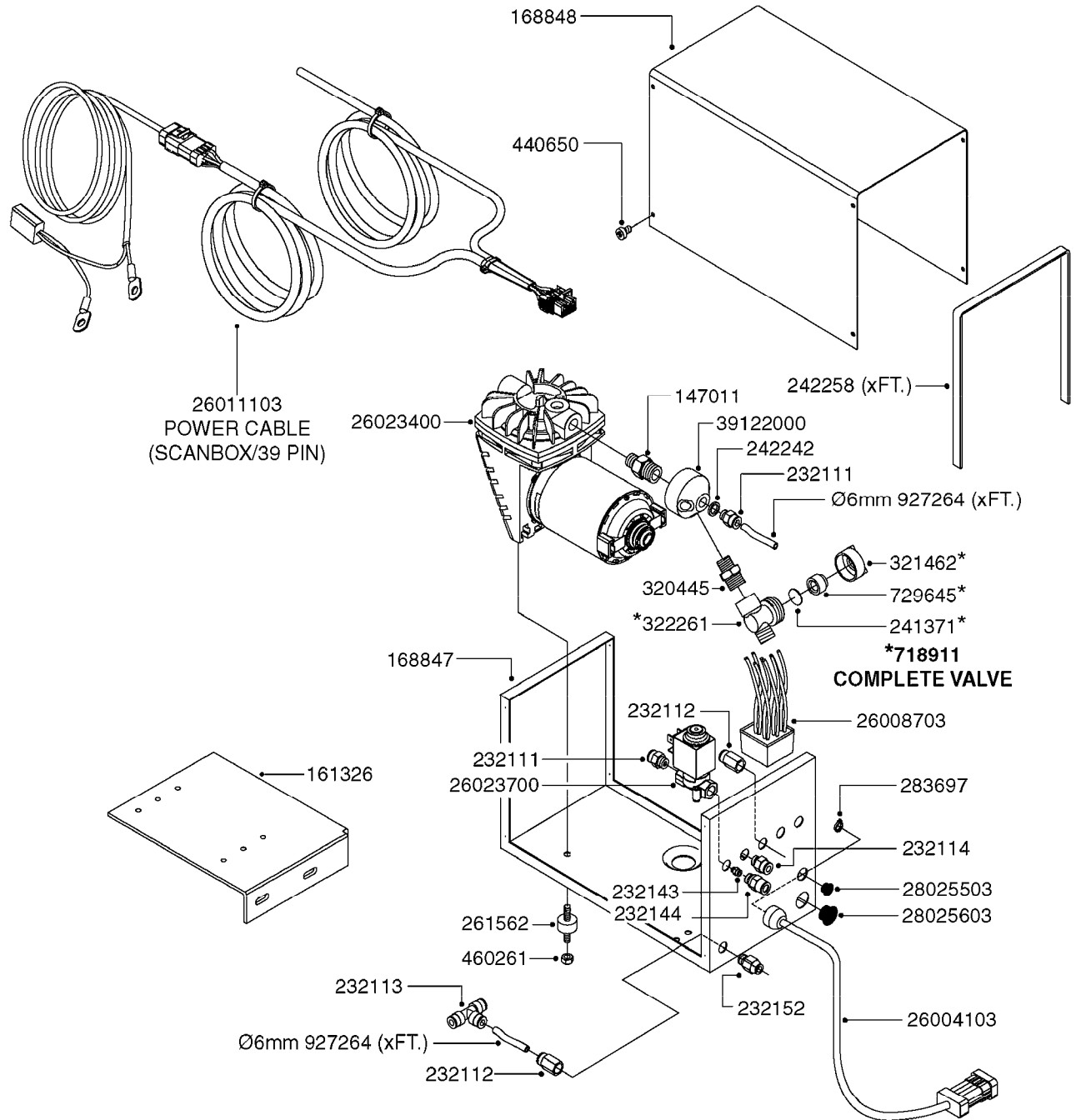
70019403 - COMPLETE ASSEMBLY



FOAM MARKER COMPRESSOR 2002
K0390-HIN, 01:01:16

Page 1
Date 04.11.2017 13:50

| parts-n° | order qty | description |
|----------|-----------|-----------------------------------|
| 147011 | 1 | HEX NIPPLE 3/8'X1/4'BSP BRASS |
| 161326 | 1 | MOUNT BKT. F. FOAM COMP.BOX 98 |
| 168847 | 1 | ENCLOSURE LOWER F.MARKER |
| 168848 | 1 | COVER F. FOAM MARKER |
| 210796 | 1 | BEARING BALL D22/D8 X 7 608ZZ |
| 210806 | 1 | BEARING BALL D40/D17X12MM |
| 220803 | 1 | VALVE F. COMPRESSOR |
| 232111 | 1 | QUICK COUPLER 6MM X 1/8 EXT. |
| 232112 | 1 | QUICK COUPLER 6MM 1/8 INT. |
| 232113 | 1 | QUICK COUPLER 6MM T-PIECE |
| 232114 | 1 | COUPLER 1/8" THREADX8MM HOSE |
| 232143 | 1 | REDUCER 1/4'INT-1/8'EXT |
| 232144 | 1 | QUICK COUPLER 10MM X 1/4 EXT |
| 232152 | 1 | QUICK COUPLER 8MMX1/8 EXT.LONG |
| 241371 | 1 | DIAPHRAGM, NO-DRIP alt 241371 |
| 242242 | 1 | O-RING F.AIR HOSE FITTING |
| 242258 | 1 | TRIM 3X10 SELF ADHESIVE 0012" |
| 242284 | 1 | HEAD GASKET F. COMPRESSOR |
| 242285 | 1 | DIAPHRAGM F. F/M COMP. |
| 261455 | 1 | BRUSH KIT-FOAM MARKER MOTOR |
| 261562 | 1 | RUBBER DAMPER 2XM6X25 |
| 283697 | 1 | TIESTRAP 200MM |
| 284564 | 1 | PLATE F.COMPRESSOR HEAD |
| 284565 | 1 | PLATE F.COMPRESSOR HEAD |
| 284643 | 1 | COMPRESSOR HEAD F.FOAM MARKER |
| 284665 | 1 | CONNECTING ROD F.COMPRESSOR |
| 284980 | 1 | FLANGE REAR F. F.M.COMPRESSOR |
| 320445 | 1 | FITT.DK HN 1/4"X3/8" BSP |
| 321462 | 1 | CAP F.NO-DRIP ASSY. |
| 322261 | 1 | HOUSING F.SAFETY VALVE 3/8" |
| 440650 | 1 | SCREW 3.5x13 STAINLESS |
| 460261 | 1 | NUT HEX M6X1.00 LOCK DIN985 A2 SS |
| 729645 | 1 | NON-DRIP SPRING ASSY.GREEN 10 |
| 927264 | 1 | HOSE R X PE D6/D4 X 0012" |
| 927306 | 1 | HOSE R X PE D8/D6 X 0012"BLACK |
| 927330 | 1 | HOSE R X PE D10/D8 X 012"BLACK |
| 10518703 | 1 | SNAP-RING OUTER 8X1 |
| 21002103 | 1 | BEARING, 6200 2ZJEM (SKF) |
| 26001403 | 1 | HC FOAM MARKR CONSOLE VS3.0.00 |
| 26001503 | 1 | HC FOAM MARKER CONSOLE MT.KIT |
| 26001803 | 1 | POWER CABLE |
| 26001903 | 1 | 15' 7-PIN EXTENSION CABLE |
| 26004103 | 1 | FOAM MARKER CNTRL MOD CABL STD |
| 26008703 | 1 | FOAM MARKER CONTROL SCII |
| 26010403 | 1 | TOGGLE SWITCH MICRO-TRAK F.M. |
| 26023700 | 1 | SOLENOID VAL 12V 1/8' FLO '07 |
| 28025503 | 1 | PLUG F.DRILLED HOLE 1/2" |
| 28025603 | 1 | PLUG F.DRILLED HOLE 3/4" |
| 39122000 | 1 | DISTR.HOUSING F.FOAM MARKER'07 |
| 70019403 | 1 | FOAM MARKER COMPRESSOR KIT STD |



K0400

*Ø8mm 927306 (xFT.)
*Ø10mm 927330 (xFT.)

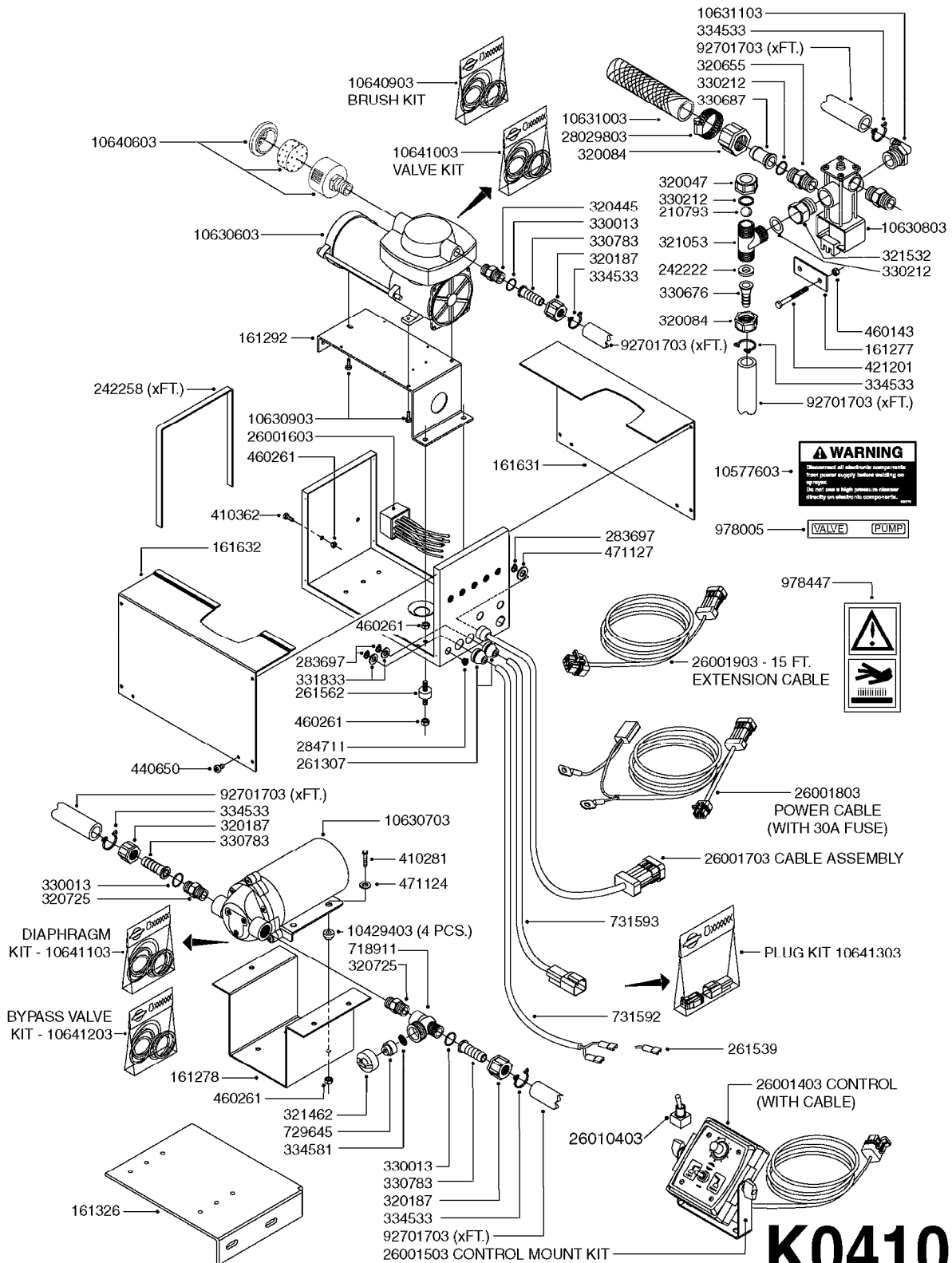
70062503 - COMPLETE ASSEMBLY



FOAM MARKER COMPRESSOR 2007
K0400-HIN, 01:01:16

Page 1
Date 04.11.2017 13:50

| parts-n° | order qty | description |
|----------|-----------|-----------------------------------|
| 147011 | 1 | HEX NIPPLE 3/8'X1/4'BSP BRASS |
| 161326 | 1 | MOUNT BKT. F. FOAM COMP.BOX 98 |
| 168847 | 1 | ENCLOSURE LOWER F.MARKER |
| 168848 | 1 | COVER F. FOAM MARKER |
| 232111 | 1 | QUICK COUPLER 6MM X 1/8 EXT. |
| 232112 | 1 | QUICK COUPLER 6MM 1/8 INT. |
| 232113 | 1 | QUICK COUPLER 6MM T-PIECE |
| 232114 | 1 | COUPLER 1/8" THREADX8MM HOSE |
| 232143 | 1 | REDUCER 1/4'INT-1/8'EXT |
| 232144 | 1 | QUICK COUPLER 10MM X 1/4 EXT |
| 232152 | 1 | QUICK COUPLER 8MMX1/8 EXT.LONG |
| 241371 | 1 | DIAPHRAGM, NO-DRIP alt 241371 |
| 242242 | 1 | O-RING F.AIR HOSE FITTING |
| 242258 | 1 | TRIM 3X10 SELF ADHESIVE 0012" |
| 261562 | 1 | RUBBER DAMPER 2XM6X25 |
| 283697 | 1 | TIESTRAP 200MM |
| 320445 | 1 | FITT.DK HN 1/4"X3/8" BSP |
| 321462 | 1 | CAP F.NO-DRIP ASSY. |
| 322261 | 1 | HOUSING F.SAFETY VALVE 3/8" |
| 440650 | 1 | SCREW 3.5x13 STAINLESS |
| 460261 | 1 | NUT HEX M6X1.00 LOCK DIN985 A2 SS |
| 718911 | 1 | VALVE (SAFETY) F.MARKER |
| 729645 | 1 | NON-DRIP SPRING ASSY.GREEN 10 |
| 927264 | 1 | HOSE R X PE D6/D4 X 0012" |
| 927306 | 1 | HOSE R X PE D8/D6 X 0012"BLACK |
| 927330 | 1 | HOSE R X PE D10/D8 X 012"BLACK |
| 26004103 | 1 | FOAM MARKER CNTRL MOD CABL STD |
| 26008703 | 1 | FOAM MARKER CONTROL SCII |
| 26011103 | 1 | FOAMER POWER/CONTROL CABLE 39P |
| 26023400 | 1 | COMPRESSOR F.FOAM MARKER CM40 |
| 26023700 | 1 | SOLENOID VAL 12V 1/8' FLO '07 |
| 28025503 | 1 | PLUG F.DRILLED HOLE 1/2" |
| 28025603 | 1 | PLUG F.DRILLED HOLE 3/4" |
| 39122000 | 1 | DISTR.HOUSING F.FOAM MARKER'07 |
| 70062503 | 1 | FOAM MARKER COMPRESSOR,STD,39P |



K0410



| parts-n° | order qty | description |
|----------|-----------|-----------------------------------|
| 161277 | 1 | FLATBAR |
| 161278 | 1 | SHEILD F. SHURFLO PUMP |
| 161292 | 1 | MOUNT PLATE F.THOMAS COMPRESSO |
| 161326 | 1 | MOUNT BKT. F. FOAM COMP.BOX 98 |
| 161631 | 1 | COVER W/O LIP H.C.FOAM COMP. |
| 161632 | 1 | COVER W/LIP H.C.FOAM COMP. |
| 210793 | 1 | BALL F.SCF |
| 242222 | 1 | GASKET 19.0 X 10.0 X 3.3 EPDM |
| 242258 | 1 | TRIM 3X10 SELF ADHESIVE 0012" |
| 261307 | 1 | GROMMET 7-10 BLACK |
| 261539 | 1 | SPADE F.ELEC CONNEC BLUE INSUL |
| 261562 | 1 | RUBBER DAMPER 2XM6X25 |
| 283697 | 1 | TIESTRAP 200MM |
| 284711 | 1 | PLUG F.DRILLED HOLE D11MM |
| 320047 | 1 | FITT.DK CAPNUT 1/2" BSP |
| 320084 | 1 | FITT.DK NUT 1/2" BSP |
| 320187 | 1 | FITT.DK CAP 3/8" BSP BLACK |
| 320445 | 1 | FITT.DK HN 1/4"X3/8" BSP |
| 320655 | 1 | FITT.DK HN 1/2"-1/2" BSP |
| 320725 | 1 | FITT.DK NIPPLE 3/8"-3/8" BSP |
| 321053 | 1 | FITT.DK TEE 1/2 X1/2 X1/2" BSP |
| 321462 | 1 | CAP F.NO-DRIP ASSY. |
| 321532 | 1 | FITT.DK REDUC 3/4' X 1/2' BSP |
| 330013 | 1 | O-RING D15/D10X2.5 F.3/8"NUT |
| 330212 | 1 | O-RING D19/D14X2.4 F.1/2"NUT |
| 330676 | 1 | FITT.DK HB 3/8" F. 1/2" NUT |
| 330687 | 1 | FITT.DK HB 1/2" F. 1/2" NUT |
| 330783 | 1 | FITT.DK HB 3/8"F.3/8" NUT |
| 331833 | 1 | VALVE FLAP RY-2 |
| 334533 | 1 | CLAMP HOSE PLASTIC 3/8" |
| 334581 | 1 | DIAPHRAGM, NO-DRIP alt 241371 |
| 410281 | 1 | BOLT HEX 8.8 DEL M6X25 DIN933 A2 |
| 410362 | 1 | BOLT HEX 8.8 SS M6X20 |
| 421201 | 1 | BOLT HEX 8.8 DEL M8X70 |
| 440650 | 1 | SCREW 3.5x13 STAINLESS |
| 460143 | 1 | NUT HEX M8X1.25 LOCK DIN985A2 SS |
| 460261 | 1 | NUT HEX M6X1.00 LOCK DIN985 A2 SS |
| 471124 | 1 | WASHER L6U 6,4 X18 X 1.6 A2 SS |
| 471127 | 1 | WASHER Z12N 13X24X2,5 RST |
| 718911 | 1 | VALVE (SAFETY) F.MARKER |
| 729645 | 1 | NON-DRIP SPRING ASSY.GREEN 10 |
| 731592 | 1 | CABLE ASSY 2 WIRE F.HC FOAM MK |
| 731593 | 1 | CABLE ASSY W.PLUG HC FOAM MKR |
| 978005 | 1 | DECAL 'VALVE PUMP' |
| 978447 | 1 | DECAL - HOT SURFACE |
| 10429403 | 1 | GROMMET SET OF 4 F.FLOJET |
| 10577603 | 1 | DECAL 'DO NOT WELD' H.P. ENG. |
| 10630603 | 1 | COMPRESSOR THOMAS F HIGH CAP |
| 10630703 | 1 | PUMP FLOJET F. HIGH CAP. FOAM |
| 10630803 | 1 | VALVE SOLENOID S.S. F.HIGH CAP |
| 10630903 | 1 | SCREW MACH.HEX Ø8-32X3/8" ZINC |
| 10631003 | 1 | HOSE R X CLEAR BRAID.X 1/2 12" |
| 10631103 | 1 | FITT.PO.EL.3/4"MPTX3/8"HB |
| 10640603 | 1 | FILTER KIT COMP. F.THOMAS COMP |
| 10640903 | 1 | BRUSH KIT F. THOMAS COMPRESSOR |
| 10641003 | 1 | VALVE KIT F. THOMAS COMPRESSOR |
| 10641103 | 1 | DIAPHRAGM KIT F.SHURFLO PUMP |
| 10641203 | 1 | BYPASS VALVE KIT F.SHURFLO PMP |
| 10641303 | 1 | PLUG KIT 2 PIN DEUTSCH COMP. |
| 26001403 | 1 | HC FOAM MARKR CONSOLE VS3.0.00 |
| 26001503 | 1 | HC FOAM MARKER CONSOLE MT.KIT |



FOAM MARKER COMP H-CAP 2001
K0410-HIN, 01:01:16

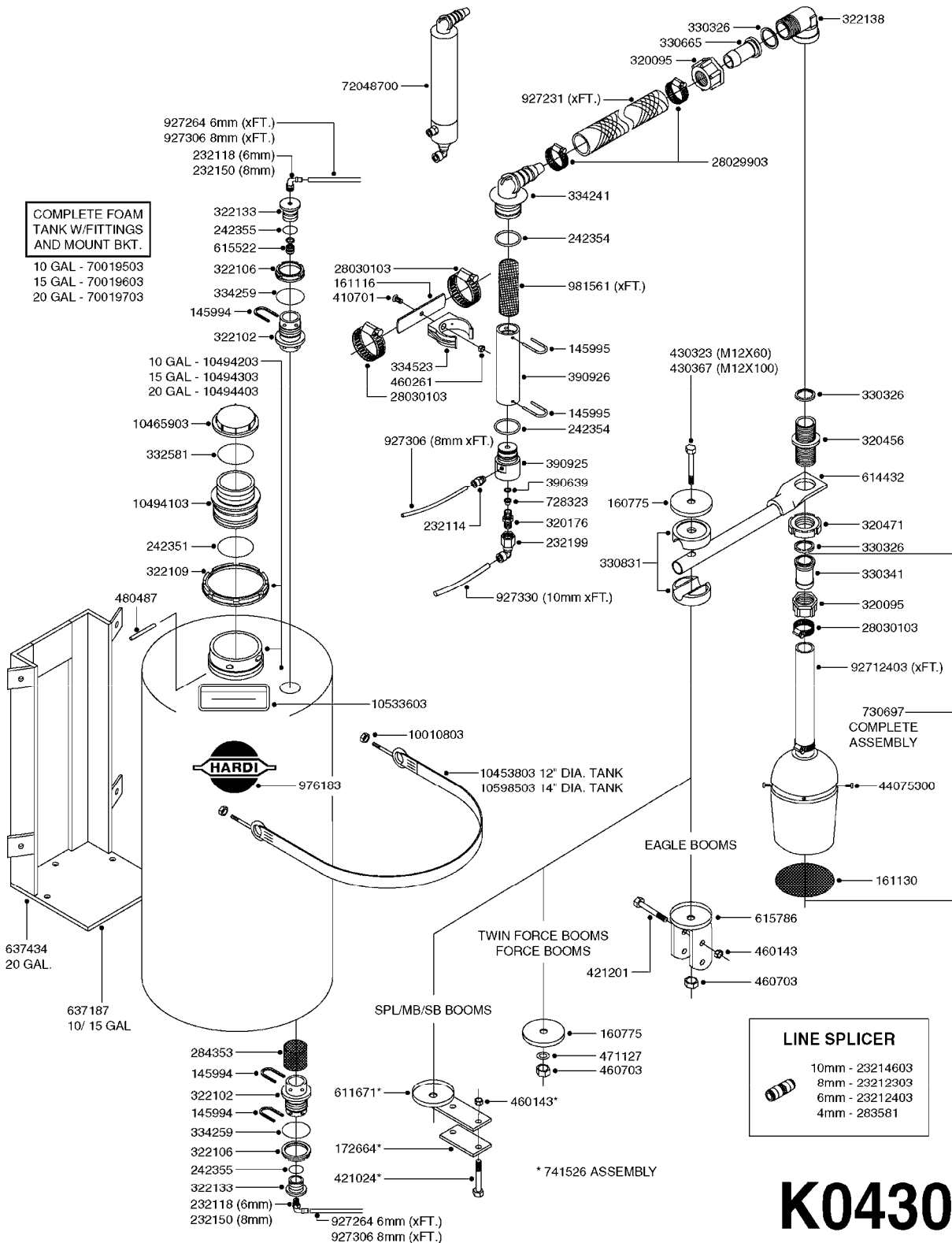
Page 2

Date 04.11.2017 13:50

| parts-n° | order qty | description |
|----------|-----------|--------------------------------|
| 26001603 | 1 | HC FOAM MARKER MODULE |
| 26001703 | 1 | HC FOAM MARKER MODULE CABLE |
| 26001803 | 1 | POWER CABLE |
| 26001903 | 1 | 15' 7-PIN EXTENSION CABLE |
| 26010403 | 1 | TOGGLE SWITCH MICRO-TRAK F.M. |
| 28029803 | 1 | CLAMP HOSE GEAR P1/2" 6708 |
| 92701703 | 1 | HOSE R X3/8" X300PSI WP X0012" |



COMPLETE FOAM TANK W/FITTINGS AND MOUNT BKT.
10 GAL - 70019503
15 GAL - 70019603
20 GAL - 70019703



LINE SPICER
10mm - 23214603
8mm - 23212303
6mm - 23212403
4mm - 283581

K0430



FOAMMARKER TANK/DROPPER 2000
K0430-HIN, 11:04:16

Page 1
Date 04.11.2017 13:50

| parts-n° | order qty | description |
|----------|-----------|-----------------------------------|
| 145994 | 1 | FITT.DK S-40 FORK |
| 145995 | 1 | FITT.DK S-53 FORK |
| 160775 | 1 | WASHER F. FRICTION PLATE |
| 161116 | 1 | FLATBAR PLATE 3 X 25 X 110 |
| 161130 | 1 | FILTER SCREEN F/FOAM DROPPER |
| 172664 | 1 | FLATBAR BACKING PLATE |
| 232114 | 1 | COUPLER 1/8" THREADX8MM HOSE |
| 232118 | 1 | HOSE CONN. 90DEG 1/8'X 6MM PE |
| 232150 | 1 | HOSE CONN. 90DEG. 1/8'X8MM PE |
| 232199 | 1 | COUPLER 3/8' BSP-90/10MM HOSE |
| 242351 | 1 | O-RING D69.5X3.0 VITON F.S-93 |
| 242354 | 1 | O-RING D32.2X3.0 VITON F.S-53 |
| 242355 | 1 | O-RING D19.2X3.0 VITON F.S-40 |
| 283581 | 1 | HOSE CONNECTOR STR. F.4MM PE |
| 284353 | 1 | SPONGE FOR FOAM MARKER |
| 320095 | 1 | FITT.DK NUT 1" BSP |
| 320176 | 1 | FITT.DK HN 3/8"X1/2" BSP |
| 320456 | 1 | FITT.DK BULKHEAD 1"BSP DOUBLE |
| 320471 | 1 | FITT.DK NUT 1" BSP JAMB |
| 322102 | 1 | FITT.DK S-40 BULKHEAD |
| 322106 | 1 | FITT.DK S-40 BULKHEAD NUT |
| 322109 | 1 | FITT.DK S-93 BULKHEAD NUT |
| 322133 | 1 | FITT.DK S-40 PLUG W 1/8 THREAD |
| 322138 | 1 | FITT.DK ELB 1"M X 1"F BSP |
| 330326 | 1 | O-RING D30/D24X2 F.1"NUT |
| 330341 | 1 | FITT.DK HB 1" F. 1" NUT |
| 330665 | 1 | 3/4' HOSE TAIL F/1' CAP |
| 330831 | 1 | FRICTION PLATE |
| 332581 | 1 | GASKET F. 1-1/2" BSP CAPNUT. |
| 334241 | 1 | FITT.DK S-53 ELB.3/4" |
| 334259 | 1 | GASKET F. S-40 BULKHEAD |
| 334523 | 1 | PIPE HOLDER D51.5 |
| 390639 | 1 | O-RING F.NOZZLE FILTER |
| 390925 | 1 | FITTING F.FOAM MIX.CHAMB. STD |
| 390926 | 1 | TUBE,MIX CHAMB. FOAM MARK STD |
| 410701 | 1 | SCREW M6X16 GALV. |
| 421024 | 1 | BOLT HEX 8.8 DEL M8X60 |
| 421201 | 1 | BOLT HEX 8.8 DEL M8X70 |
| 430323 | 1 | BOLT HEX 8.8 DEL M12X60 |
| 430367 | 1 | BOLT M12X100 DIN931-8.8 DEL |
| 460143 | 1 | NUT HEX M8X1.25 LOCK DIN985A2 SS |
| 460261 | 1 | NUT HEX M6X1.00 LOCK DIN985 A2 SS |
| 460703 | 1 | NUT HEX M12X1.75 LOCK DIN985A2 SS |
| 471127 | 1 | WASHER Z12N 13X24X2,5 RST |
| 480487 | 1 | PIN M5X60 SLOTTED GALV |
| 611671 | 1 | BREAK AWAY HOLDER F-MARKER |
| 614432 | 1 | BREAK AWAY ARM F. FOAM MARKER |
| 615522 | 1 | CHECK VALVE F.FOAM MARKER |
| 615786 | 1 | MOUNT BKT. F.FOAM DROPPER 98 |
| 637187 | 1 | MOUNT BKT F.FOAM TANK 10/15GAL |
| 637434 | 1 | MOUNT BRACKET F.FOAM TANK 20G |
| 728323 | 1 | VALVE NON-RETURN |
| 730697 | 1 | FOAM DROPPER COMP. BLACK '97 |
| 741526 | 1 | FOAM DROPPER MT. KIT MB-SPL |
| 927231 | 1 | HOSE R X PVCX3/4 CLR/BRD 0012" |
| 927264 | 1 | HOSE R X PE D6/D4 X 0012" |
| 927306 | 1 | HOSE R X PE D8/D6 X 0012"BLACK |
| 927330 | 1 | HOSE R X PE D10/D8 X 012"BLACK |
| 976183 | 1 | DECAL COMPANY D.18,2 X 29,6 |
| 981561 | 1 | SPONGE MAT. MIX.CHAMBER-x0012" |
| 10010803 | 1 | NUT HEX NC (NYLON LOCK) 5/16 |



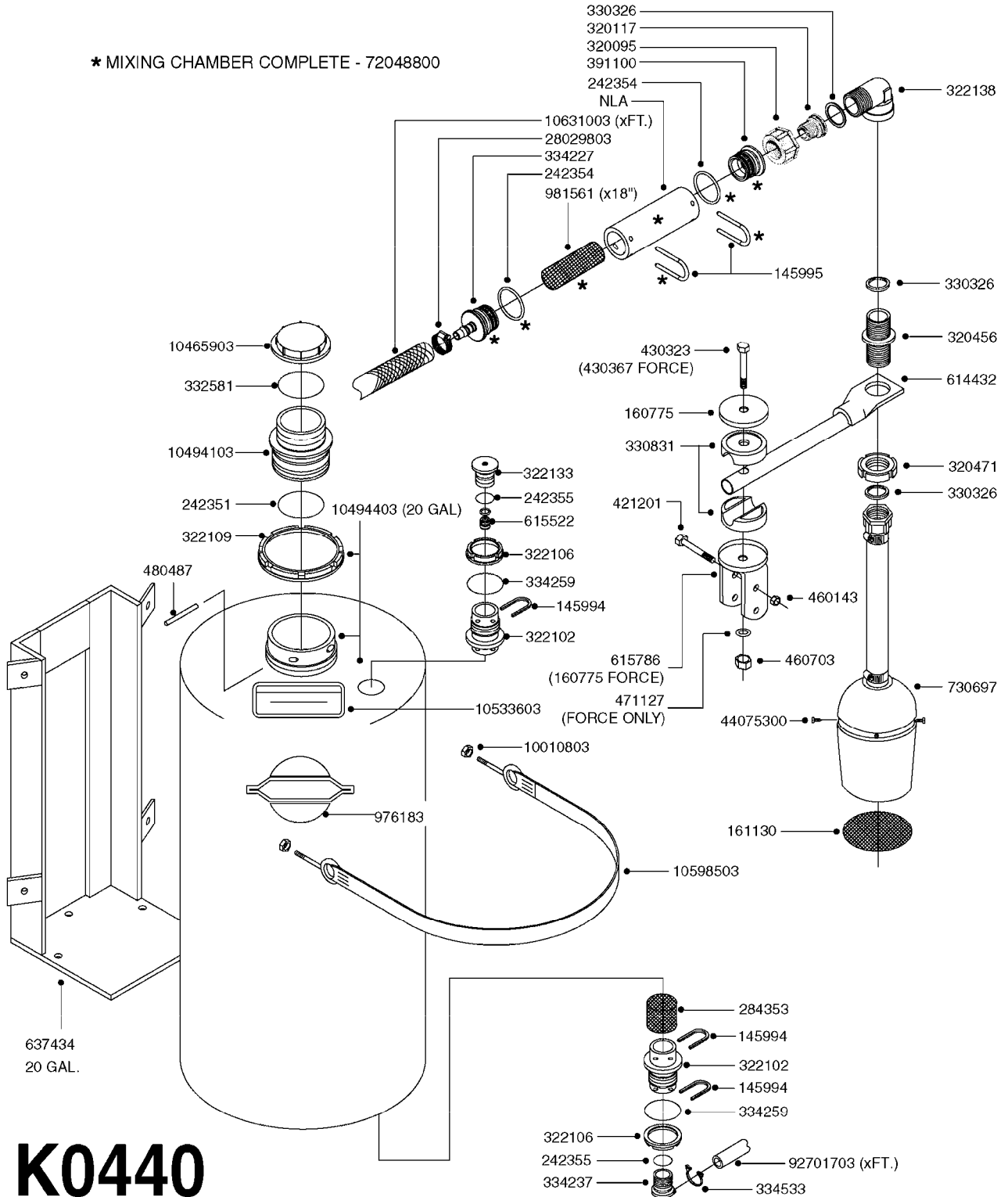
FOAMMARKER TANK/DROPPER 2000
K0430-HIN, 11:04:16

Page 2
Date 04.11.2017 13:50

| parts-n° | order qty | description |
|----------|-----------|--------------------------------|
| 10453803 | 1 | STRAP F.FOAMER TANK (755mm) |
| 10465903 | 1 | *LID F.FOAM MARKER, DRILLED |
| 10494103 | 1 | FILL WELL ASSY.FOAM MARK EPOXY |
| 10494203 | 1 | TANK ASSY. 10 GAL. D14' F/M |
| 10494303 | 1 | TANK ASSY. 15 GAL. D14'F/M |
| 10494403 | 1 | *TANK ASSY. 20 GAL. D14'F/M |
| 10533603 | 1 | DECAL CAUTION-OPEN SLOWLY ENG |
| 10598503 | 1 | STRAP F.FOAMER TANK (850mm) |
| 23212303 | 1 | HOSE CONNECTOR STR. F.8MM PE |
| 23212403 | 1 | HOSE CONNECTOR STR. F.6MM PE |
| 23214603 | 1 | HOSE CONNECTOR STR. F. 10MM PE |
| 28029903 | 1 | CLAMP HOSE GEAR P3/4"-S1" 6712 |
| 28030103 | 1 | CLAMP HOSE GEAR P5/4-S1.5"6724 |
| 44075300 | 1 | SCREW 3.5X9.5SS/X15 ISO 14585C |
| 70019503 | 1 | FOAM MARKER TANK KIT STD 10G |
| 70019603 | 1 | FOAM MARKER TANK KIT STD 15G |
| 70019703 | 1 | FOAM MARKER TANK KIT STD 20G |
| 72048700 | 1 | MIXING CHAMBER,FOAM MARK. STD |
| 92712403 | 1 | HOSE R X1" X300PSI WP X0012" |



* MIXING CHAMBER COMPLETE - 72048800



K0440



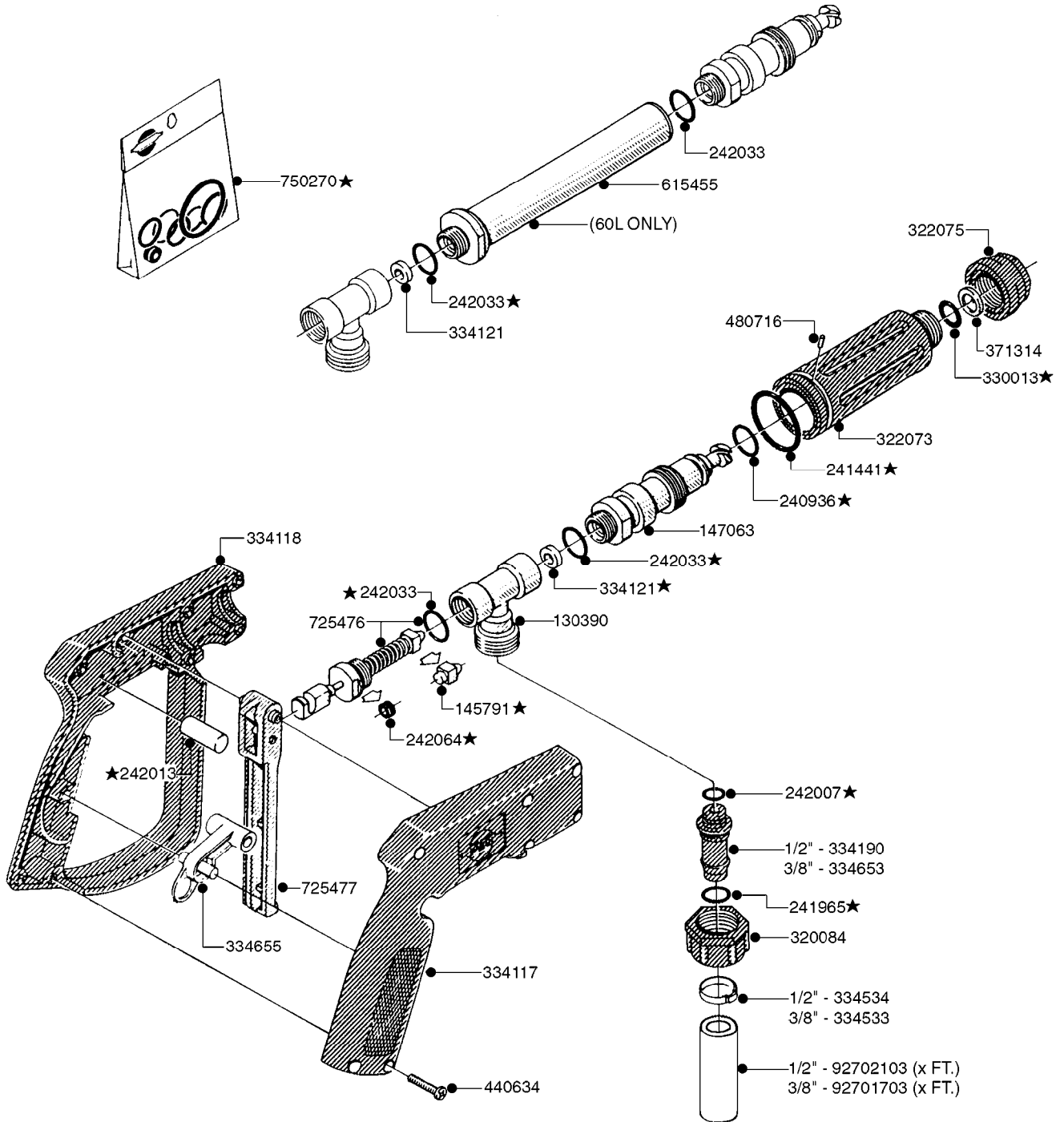
F MARKER TANK/DROPPER HIGH CAP
K0440-HIN, 01:01:16

| parts-n° | order qty | description |
|----------|-----------|-----------------------------------|
| 145994 | 1 | FITT.DK S-40 FORK |
| 145995 | 1 | FITT.DK S-53 FORK |
| 160775 | 1 | WASHER F. FRICTION PLATE |
| 161130 | 1 | FILTER SCREEN F/FOAM DROPPER |
| 242351 | 1 | O-RING D69.5X3.0 VITON F.S-93 |
| 242354 | 1 | O-RING D32.2X3.0 VITON F.S-53 |
| 242355 | 1 | O-RING D19.2X3.0 VITON F.S-40 |
| 284353 | 1 | SPONGE FOR FOAM MARKER |
| 320095 | 1 | FITT.DK NUT 1" BSP |
| 320117 | 1 | FITT.DK CONN.1/2"BSP F. 1" CAP |
| 320456 | 1 | FITT.DK BULKHEAD 1"BSP DOUBLE |
| 320471 | 1 | FITT.DK NUT 1" BSP JAMB |
| 322102 | 1 | FITT.DK S-40 BULKHEAD |
| 322106 | 1 | FITT.DK S-40 BULKHEAD NUT |
| 322109 | 1 | FITT.DK S-93 BULKHEAD NUT |
| 322133 | 1 | FITT.DK S-40 PLUG W 1/8 THREAD |
| 322138 | 1 | FITT.DK ELB 1"M X 1"F BSP |
| 330326 | 1 | O-RING D30/D24X2 F.1"NUT |
| 330831 | 1 | FRICTION PLATE |
| 332581 | 1 | GASKET F. 1-1/2" BSP CAPNUT. |
| 334227 | 1 | FITT.DK S-53 STR.1/2' |
| 334237 | 1 | FITT.DK S-40 ELB.3/8" |
| 334259 | 1 | GASKET F. S-40 BULKHEAD |
| 334533 | 1 | CLAMP HOSE PLASTIC 3/8" |
| 391100 | 1 | FITT.DK S-53THREAD INS.1/2"BSP |
| 421201 | 1 | BOLT HEX 8.8 DEL M8X70 |
| 430323 | 1 | BOLT HEX 8.8 DEL M12X60 |
| 430367 | 1 | BOLT M12X100 DIN931-8.8 DEL |
| 460143 | 1 | NUT HEX M8X1.25 LOCK DIN985A2 SS |
| 460703 | 1 | NUT HEX M12X1.75 LOCK DIN985A2 SS |
| 471127 | 1 | WASHER Z12N 13X24X2,5 RST |
| 480487 | 1 | PIN M5X60 SLOTTED GALV |
| 614432 | 1 | BREAK AWAY ARM F. FOAM MARKER |
| 615522 | 1 | CHECK VALVE F.FOAM MARKER |
| 615786 | 1 | MOUNT BKT. F.FOAM DROPPER 98 |
| 637434 | 1 | MOUNT BRACKET F.FOAM TANK 20G |
| 730697 | 1 | FOAM DROPPER COMP. BLACK '97 |
| 976183 | 1 | DECAL COMPANY D.18,2 X 29,6 |
| 981561 | 1 | SPONGE MAT. MIX.CHAMBER-x0012" |
| 10010803 | 1 | NUT HEX NC (NYLON LOCK) 5/16 |
| 10465903 | 1 | *LID F.FOAM MARKER, DRILLED |
| 10494103 | 1 | FILL WELL ASSY.FOAM MARK EPOXY |
| 10494403 | 1 | *TANK ASSY. 20 GAL. D14'F/M |
| 10533603 | 1 | DECAL CAUTION-OPEN SLOWLY ENG |
| 10598503 | 1 | STRAP F.FOAMER TANK (850mm) |
| 10631003 | 1 | HOSE R X CLEAR BRAID.X 1/2 12" |
| 28029803 | 1 | CLAMP HOSE GEAR P1/2" 6708 |
| 44075300 | 1 | SCREW 3.5X9.5SS/X15 ISO 14585C |
| 72048800 | 1 | MIXING CHAMBER,FOAM MARK. HC |
| 92701703 | 1 | HOSE R X3/8" X300PSI WP X0012" |



HANDGUN TYPE 60S/60L POST 95
K0480-HIN, 01:01:16

Page 0
Date 04.11.2017 13:50



COMPLETE ASSEMBLY:
843197 - 60L
843196 - 60S

COMPLETE ASSEMBLIES
WHOLEGOODS ITEMS

K0480

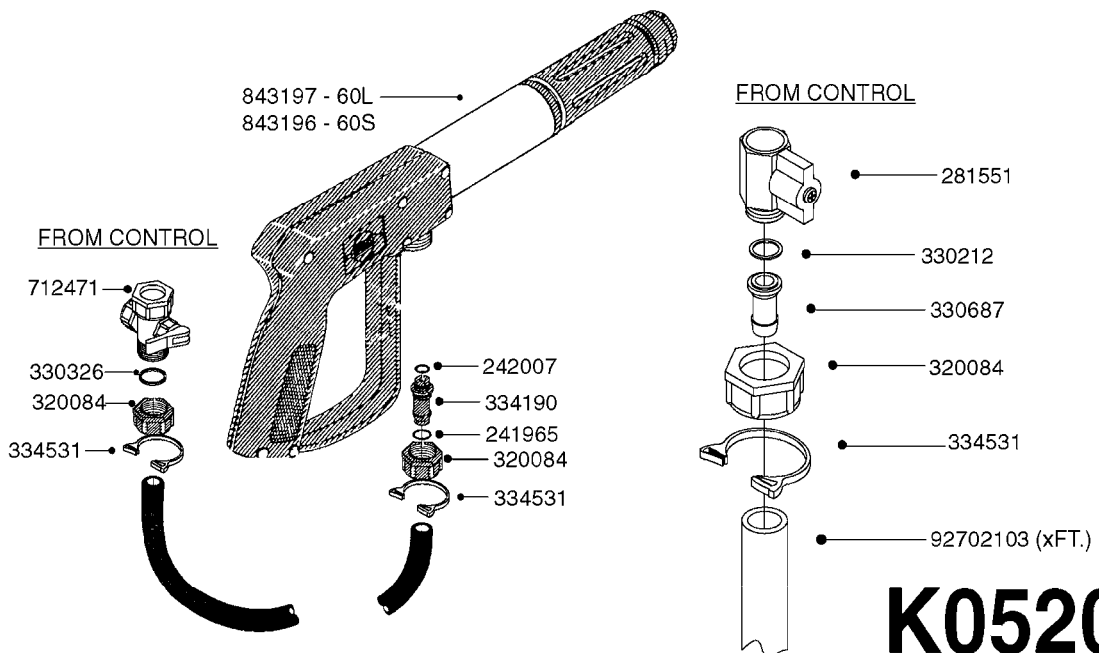
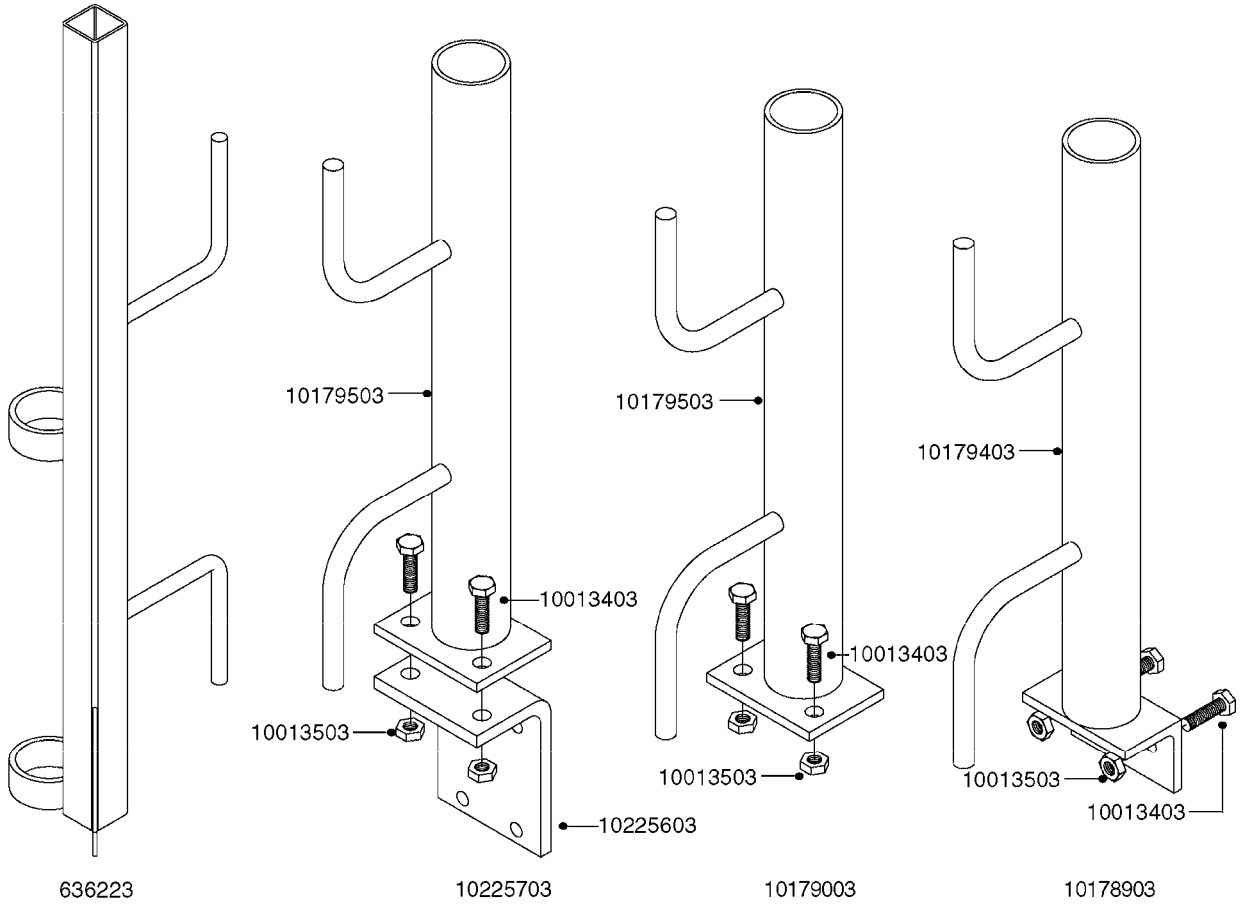


HANDGUN TYPE 60S/60L POST 95
K0480-HIN, 01:01:16

Page 1

Date 04.11.2017 13:50

| parts-n° | order qty | description |
|----------|-----------|--------------------------------|
| 130390 | 1 | TEE 3/8'X 1/2' BSP F.TYPE 60S |
| 145791 | 1 | CONE FOR ON/OFF |
| 147063 | 1 | SWIRL F.SPRAY GUN TYPE 60 |
| 240936 | 1 | O-RING D13.3X2.4 NITRIL |
| 241441 | 1 | O-RING D29.3X3 |
| 241965 | 1 | O-RING 12.1 X 1.6 |
| 242007 | 1 | O-RING D9.1X1.6 |
| 242013 | 1 | SPRING RUBBER F/TRIGGER |
| 242033 | 1 | O-RING |
| 242064 | 1 | SLEEVE RUBBER 3X8X4MM |
| 320084 | 1 | FITT.DK NUT 1/2" BSP |
| 322073 | 1 | HOUSING F.SWIRL TYPE 60S H.G. |
| 322075 | 1 | HOUSING F. NOZZLE |
| 330013 | 1 | O-RING D15/D10X2.5 F.3/8"NUT |
| 334117 | 1 | HANDLE PIECE RIGHT F.60S/60L |
| 334118 | 1 | HANDLE PIECE LEFT F.60S/60L |
| 334121 | 1 | SEAT FOR ON-OFF TYPE |
| 334190 | 1 | FITT.DK HB 1/2' F. PISTOL 60S |
| 334533 | 1 | CLAMP HOSE PLASTIC 3/8" |
| 334534 | 1 | CLAMP HOSE PLASTIC 1/2" |
| 334653 | 1 | FITT.DK HB 3/8' F.HANDGUN |
| 334655 | 1 | TRIGGER SAFETY F.60S/60L GUN |
| 371314 | 1 | NOZZLE CERAMIC 1099-20 |
| 440634 | 1 | SCREW 5/8" |
| 480716 | 1 | PIN D3X6 STAINLESS |
| 615455 | 1 | TUBE F.LANCE TYPE 60L |
| 725476 | 1 | SPINDLE |
| 725477 | 1 | TRIGGER |
| 750270 | 1 | GASKET KIT F.SPRAY GUN |
| 843196 | 1 | GUN, MODEL 60S |
| 843197 | 1 | HANDGUN KIT TYPE 60 LONG |
| 92701703 | 1 | HOSE R X3/8" X300PSI WP X0012" |
| 92702103 | 1 | HOSE R X1/2" X300PSI WP X0012" |

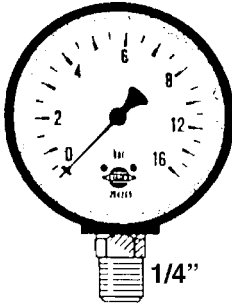




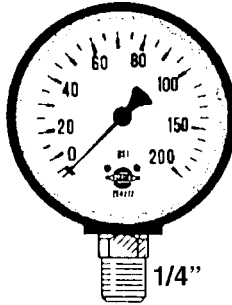
HOSE WRAPS
K0520-HIN, 01:01:16

Page 1
Date 04.11.2017 13:50

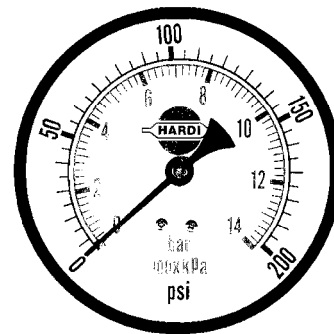
| parts-n° | order qty | description |
|----------|-----------|--------------------------------|
| 241965 | 1 | O-RING 12.1 X 1.6 |
| 242007 | 1 | O-RING D9.1X1.6 |
| 281551 | 1 | BALL VALVE 1/2" |
| 320084 | 1 | FITT.DK NUT 1/2" BSP |
| 330212 | 1 | O-RING D19/D14X2.4 F.1/2"NUT |
| 330326 | 1 | O-RING D30/D24X2 F.1"NUT |
| 330687 | 1 | FITT.DK HB 1/2" F. 1/2" NUT |
| 334190 | 1 | FITT.DK HB 1/2' F. PISTOL 60S |
| 334531 | 1 | CLAMP HOSE PLASTIC 3/4" |
| 636223 | 1 | POST 12 VOLT TR30 |
| 712471 | 1 | AGITATION VALVE ASSY. ON/OFF |
| 843196 | 1 | GUN, MODEL 60S |
| 843197 | 1 | HANDGUN KIT TYPE 60 LONG |
| 10013403 | 1 | BOLT HEX 3/8-16X1 1/4 HCS Z5 |
| 10013503 | 1 | NUT HEX NC 3/8" |
| 10178903 | 1 | WRAP HOSE SIDE MOUNT PLATE |
| 10179003 | 1 | WRAP HOSE BOTTOM PLATE MOUNT |
| 10179403 | 1 | WRAP WELDMENT FOR HI101789 |
| 10179503 | 1 | WRAP WELDMENT FOR HI101790 |
| 10225603 | 1 | BKT.FOR HOSE WRAP MOUNT NL NK |
| 10225703 | 1 | WRAP HOSE BDL.BOTTOM PLATE |
| 92702103 | 1 | HOSE R X1/2" X300PSI WP X0012" |



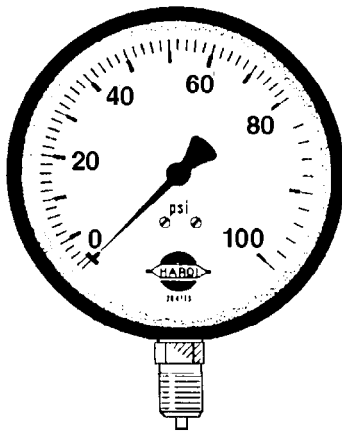
284269
0-8-16 bar
BRASS
2.5" GAUGE



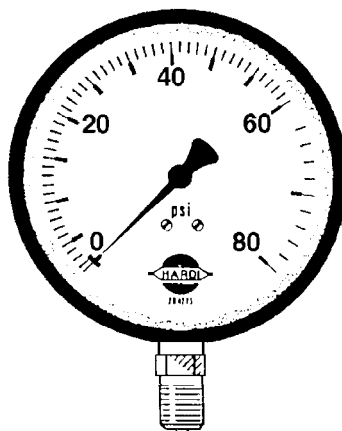
28026203
0-100-200 psi
STAINLESS
2.5" GAUGE



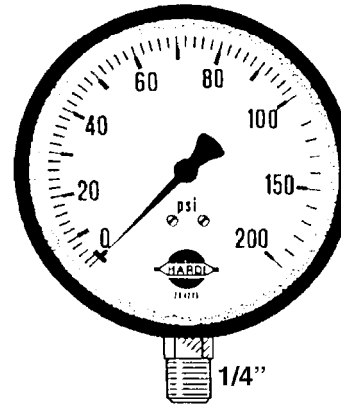
28014403
200 psi (14 bar)
STAINLESS
4" GAUGE



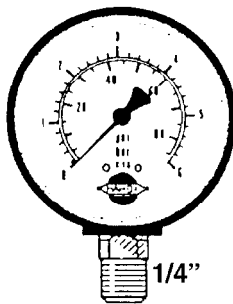
844086
100 bar (1400 psi)
BRASS
2.5" GAUGE



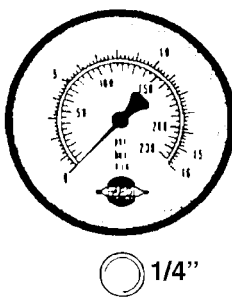
844088
80 bar (1200 psi)
STAINLESS
1.5" GAUGE



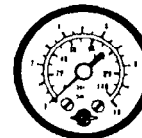
28026103
0-100-200 psi
STAINLESS
4" GAUGE



280637
6 bar (85 psi)
BRASS
2.5" GAUGE



283754
16 bar (230 psi)
BRASS
2.5" GAUGE



844082
10 bar (140 psi)
BRASS
1.5" GAUGE

K0560

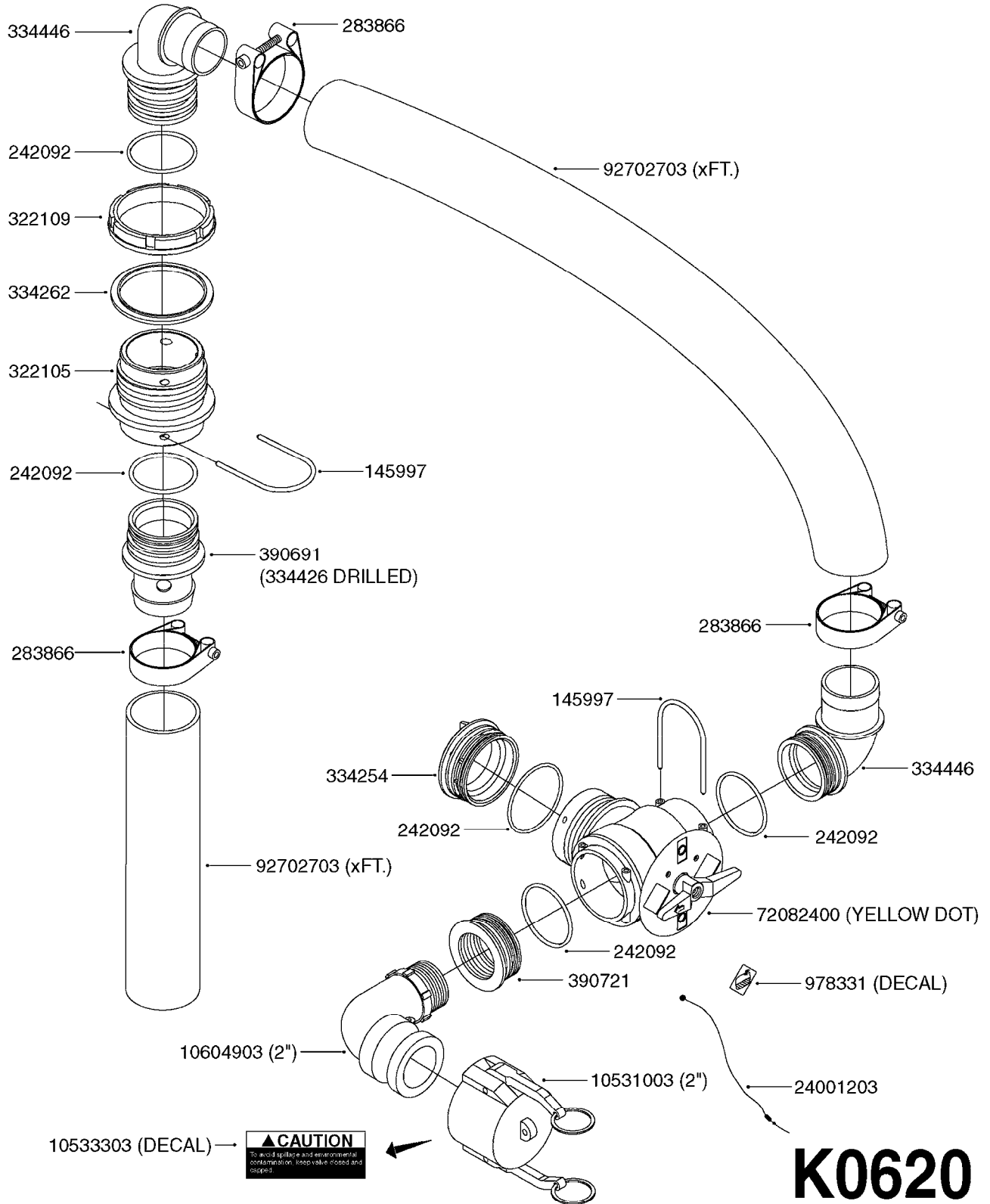


PRESSURE GAUGES
K0560-HIN, 01:01:16

Page 1

Date 04.11.2017 13:50

| parts-n° | order qty | description |
|----------|-----------|--------------------------------------|
| 280637 | 1 | GAUGE 2.5"BR BOTT.PSI85 BAR6 |
| 283754 | 1 | GAUGE 2.5'BR REAR PSI200 BAR16 |
| 284269 | 1 | PRESSURE GAUGE 0-8-16 BAR Ø2,5" 1/4" |
| 844082 | 1 | GAUGE 1.5'BR REAR PSI140BAR10 |
| 844086 | 1 | GAUGE 2.5'BR BOTT.PSI1000BAR80 |
| 844088 | 1 | GAUGE 2.5'BR BOTT PSI1200BAR80 |
| 28014403 | 1 | GAUGE 4"BR REAR PSI200 |
| 28026103 | 1 | GAUGE 200PSI/BR, 4", 1/4"BSP-BTM |
| 28026203 | 1 | GAUGE 200PSI/BR, 2.5"1/4BSP-BTM |

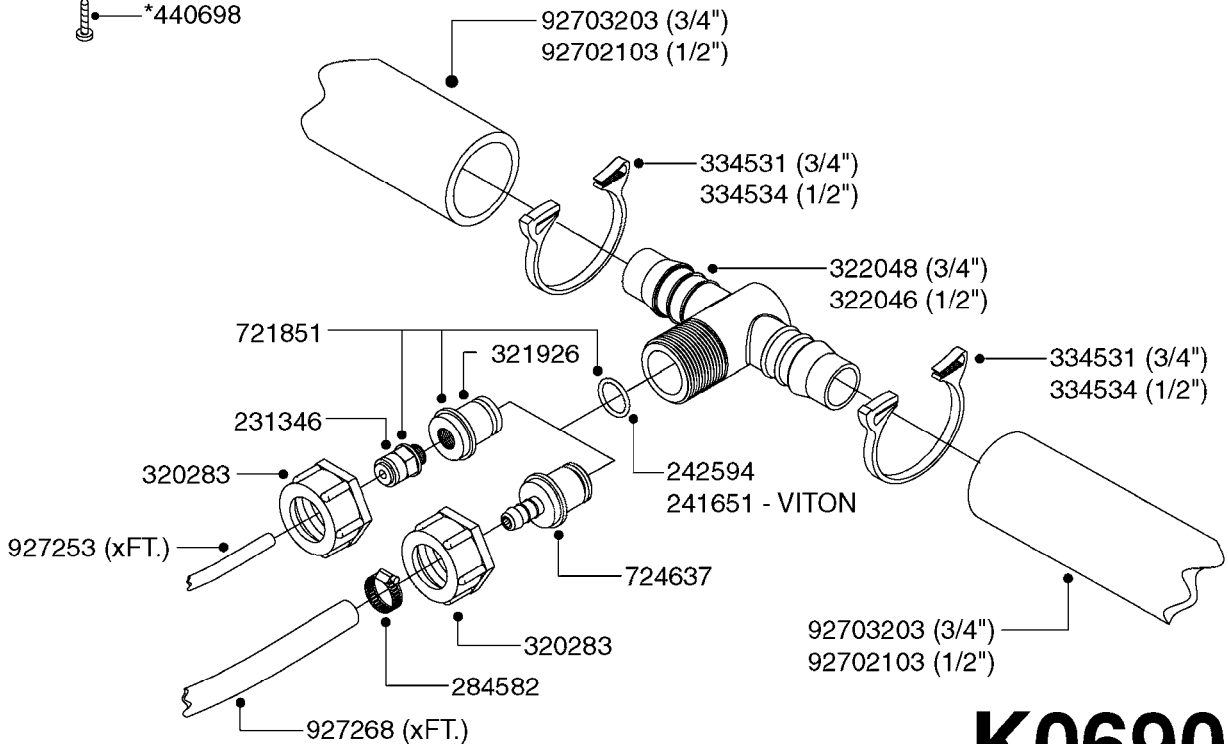
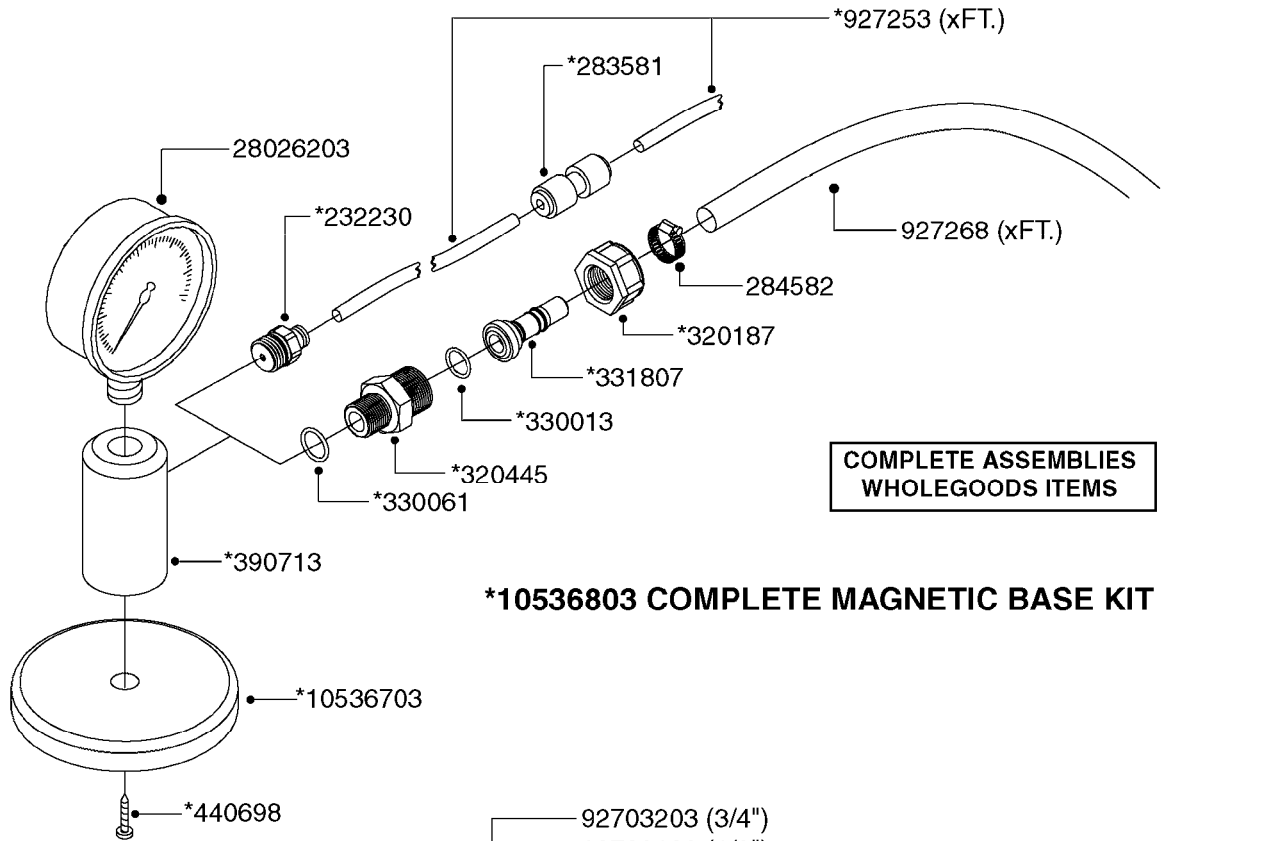




QUICKFILL SYSTEM - S93
K0620-HIN, 01:01:16

Page 1
Date 04.11.2017 13:50

| parts-n° | order qty | description |
|----------|-----------|---------------------------------|
| 145997 | 1 | FITT.DK S-93 FORK |
| 242092 | 1 | O-RING D69.5X3 |
| 283866 | 1 | CLAMP HOSE SCREW TYPE 2"DELTA |
| 322105 | 1 | FITT.DK S-93 BULKHEAD DOUBLE |
| 322109 | 1 | FITT.DK S-93 BULKHEAD NUT |
| 334254 | 1 | FITT.DK S-93 PLUG |
| 334262 | 1 | GASKET F.S-93 BULKHEAD |
| 334426 | 1 | FITT.DK S-93 STR.2" |
| 334446 | 1 | FITT.DK S-93 ELB.2" PVC |
| 390691 | 1 | FITT.DK S-93 STR.2"PVC DRILLED |
| 390721 | 1 | FITT.DK S-93 PLUG W/2" NPT THRE |
| 978331 | 1 | DECAL MANIFOLD SYS.QUICK-FILL |
| 10531003 | 1 | CAP F.MALE QUICK COUPLER 2" |
| 10533303 | 1 | DECAL CAUTION-LEAK Q.FILL ENG |
| 10604903 | 1 | QUICK COUPLER MALE 2' 90DEG |
| 24001203 | 1 | RBR LANYARD 11" F.QCK FILL CAP |
| 72082400 | 1 | VALVE 2"-S93 3 WAY |
| 92702703 | 1 | HOSE PVC SUCT GRAY 2" |



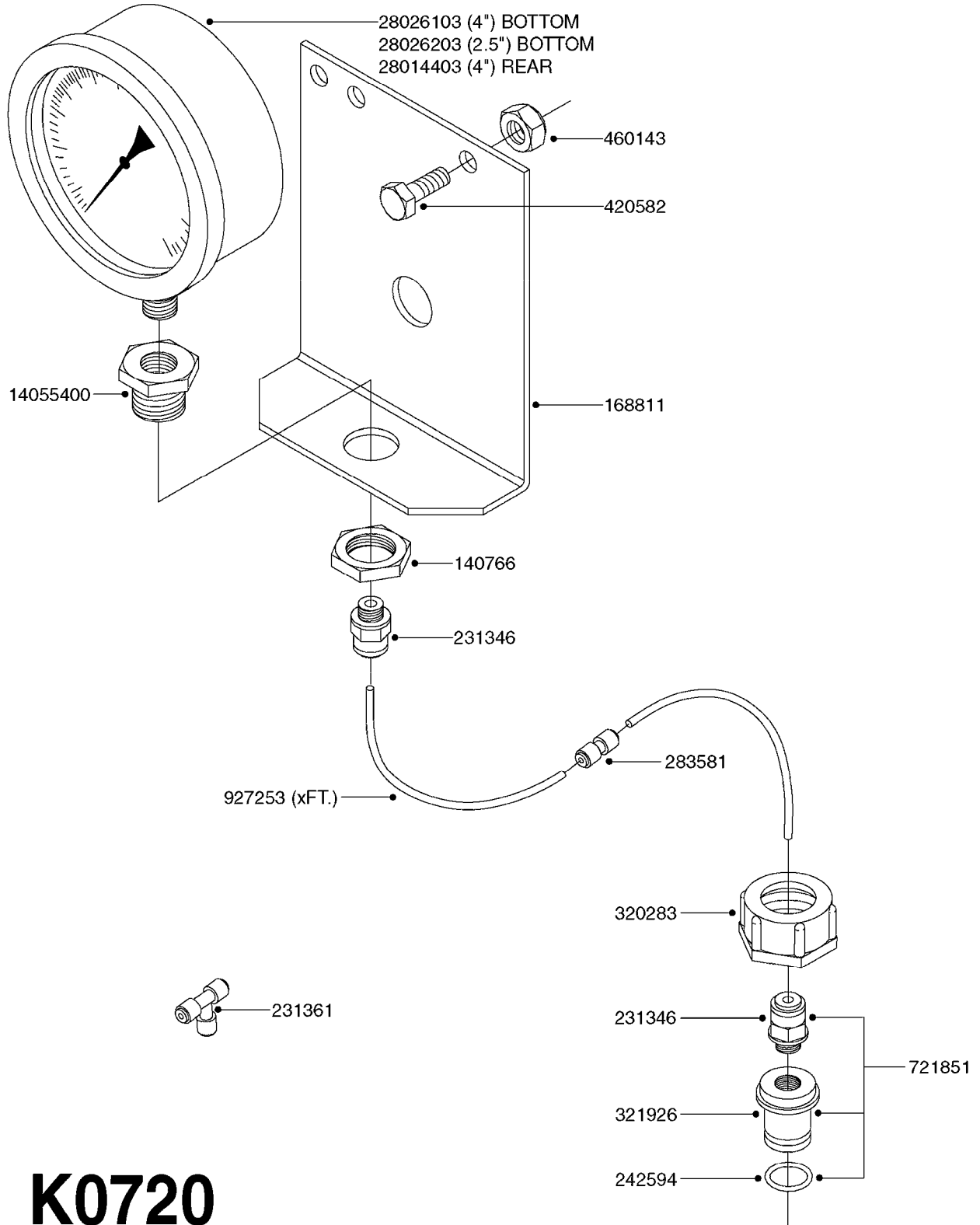
K0690



REMOTE GAUGE-MAGNETIC BASE KIT
K0690-HIN, 01:01:16

Page 1
Date 04.11.2017 13:50

| parts-n° | order qty | description |
|----------|-----------|--------------------------------|
| 231346 | 1 | QUICK COUPLER 1/8"BSP X 4 MM |
| 232230 | 1 | QUICK COUPLER 1/4"BSP X 4 MM |
| 241651 | 1 | O-RING D14.0X3.0 NITRIL |
| 242594 | 1 | O-RING D14 X 1.78 SCH.70-EPDM |
| 283581 | 1 | HOSE CONNECTOR STR. F.4MM PE |
| 284582 | 1 | CLAMP HOSE GEAR - 5/16" |
| 320187 | 1 | FITT.DK CAP 3/8" BSP BLACK |
| 320283 | 1 | FITT.DK NUT 3/4"BSP |
| 320445 | 1 | FITT.DK HN 1/4"X3/8" BSP |
| 321926 | 1 | FITT.DK REDUC 1/8"BSP F.3/4"N |
| 322046 | 1 | FITT.DK TEE 1/2X1/2HB X3/4'BSP |
| 322048 | 1 | FITT.DK TEE 3/4X3/4HB X3/4'BSP |
| 330013 | 1 | O-RING D15/D10X2.5 F.3/8"NUT |
| 330061 | 1 | O-RING D16/D11X2,5 |
| 331807 | 1 | FITT.DK HB 5/16" F.3/8" NUT |
| 334531 | 1 | CLAMP HOSE PLASTIC 3/4" |
| 334534 | 1 | CLAMP HOSE PLASTIC 1/2" |
| 390713 | 1 | GAUGE ADAPTOR 1/4" BSP |
| 440698 | 1 | SCREW F.PLASTIC 6X18 SS HEXHD |
| 721851 | 1 | SCREW PLUG W/QUICK FIT |
| 724637 | 1 | FITT.DK HB 5/16' F. 3/4" COMP. |
| 927253 | 1 | AIR HOSE, DIAMETER 4MM |
| 927268 | 1 | HOSE R X PVC X 1/4 X 0012" |
| 10536703 | 1 | MAGNETIC BASE D3,2'/90LB |
| 10536803 | 1 | MAGNETIC BASE KIT F.GAUGE |
| 28026203 | 1 | GAUGE 200PSI/BR,2.5"1/4BSP-BTM |
| 92702103 | 1 | HOSE R X1/2" X300PSI WP X0012" |
| 92703203 | 1 | HOSE R X3/4" X300PSI WP X0012" |





REMOTE GAUGE - TWIN/COMMANDER
K0720-HIN, 01:01:16

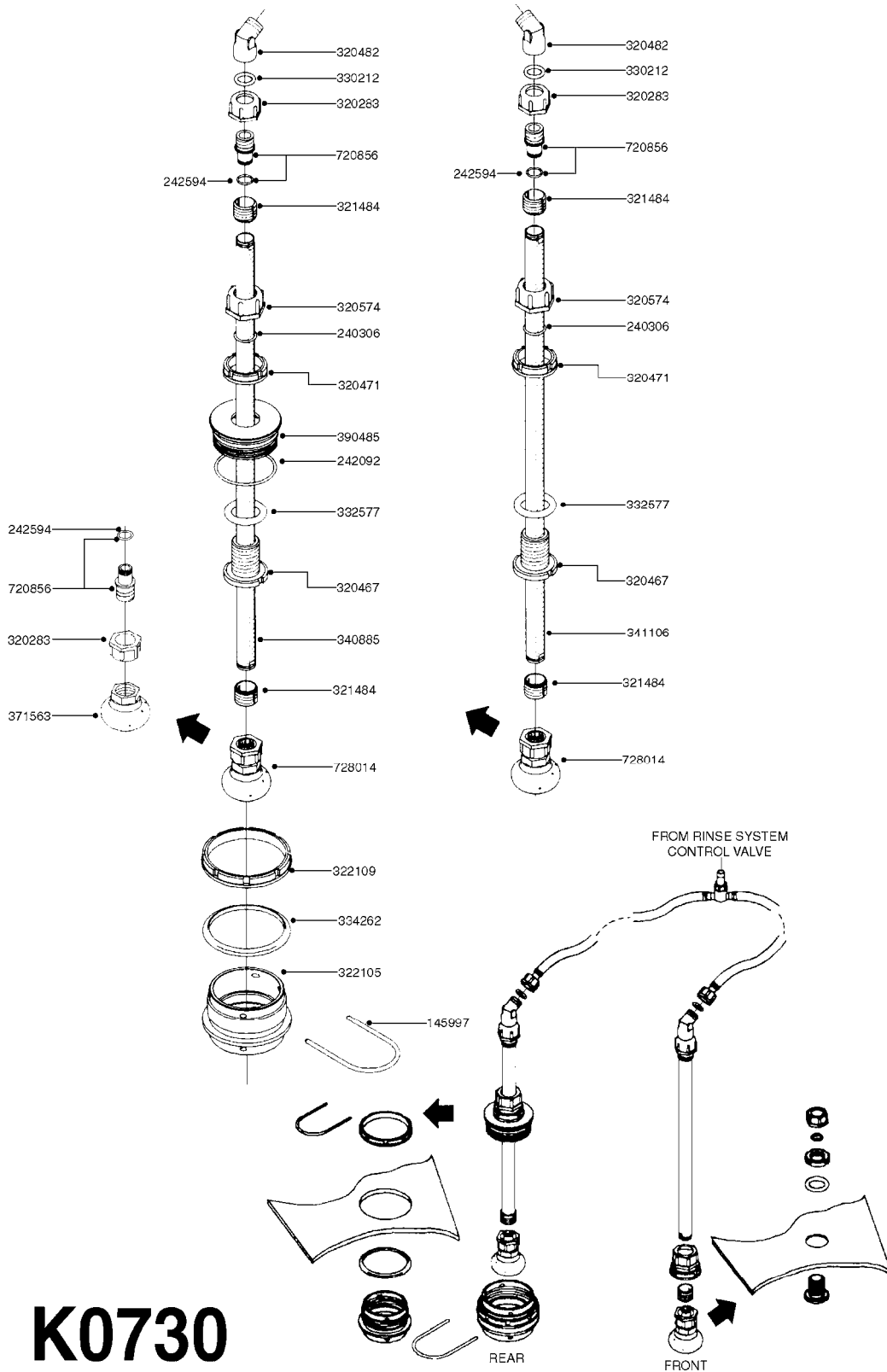
Page 1

Date 04.11.2017 13:50

| parts-n° | order qty | description |
|----------|-----------|----------------------------------|
| 140766 | 1 | NUT 1/2" BSP |
| 168811 | 1 | MOUNT BKT.F.PRESSURE GAUGE |
| 231346 | 1 | QUICK COUPLER 1/8"BSP X 4 MM |
| 231361 | 1 | QUICK COUPLER T/04 |
| 242594 | 1 | O-RING D14 X 1.78 SCH.70-EPDM |
| 283581 | 1 | HOSE CONNECTOR STR. F.4MM PE |
| 320283 | 1 | FITT.DK NUT 3/4"BSP |
| 321926 | 1 | FITT.DK REDUC 1/8"BSP F.3/4"N |
| 420582 | 1 | BOLT HEX 8.8 DEL M8X20 FT A2 |
| 460143 | 1 | NUT HEX M8X1.25 LOCK DIN985A2 SS |
| 721851 | 1 | SCREW PLUG W/QUICK FIT |
| 927253 | 1 | AIR HOSE, DIAMETER 4MM |
| 14055400 | 1 | FITT.DK REDUC 1/2"x1/8"x1/4"BS |
| 28014403 | 1 | GAUGE 4"BR REAR PSI200 |
| 28026103 | 1 | GAUGE 200PSI/BR, 4", 1/4"BSP-BTM |
| 28026203 | 1 | GAUGE 200PSI/BR, 2.5"1/4BSP-BTM |



RINSE SYSTEM NOZZLES
K0730-HIN, 01:01:16



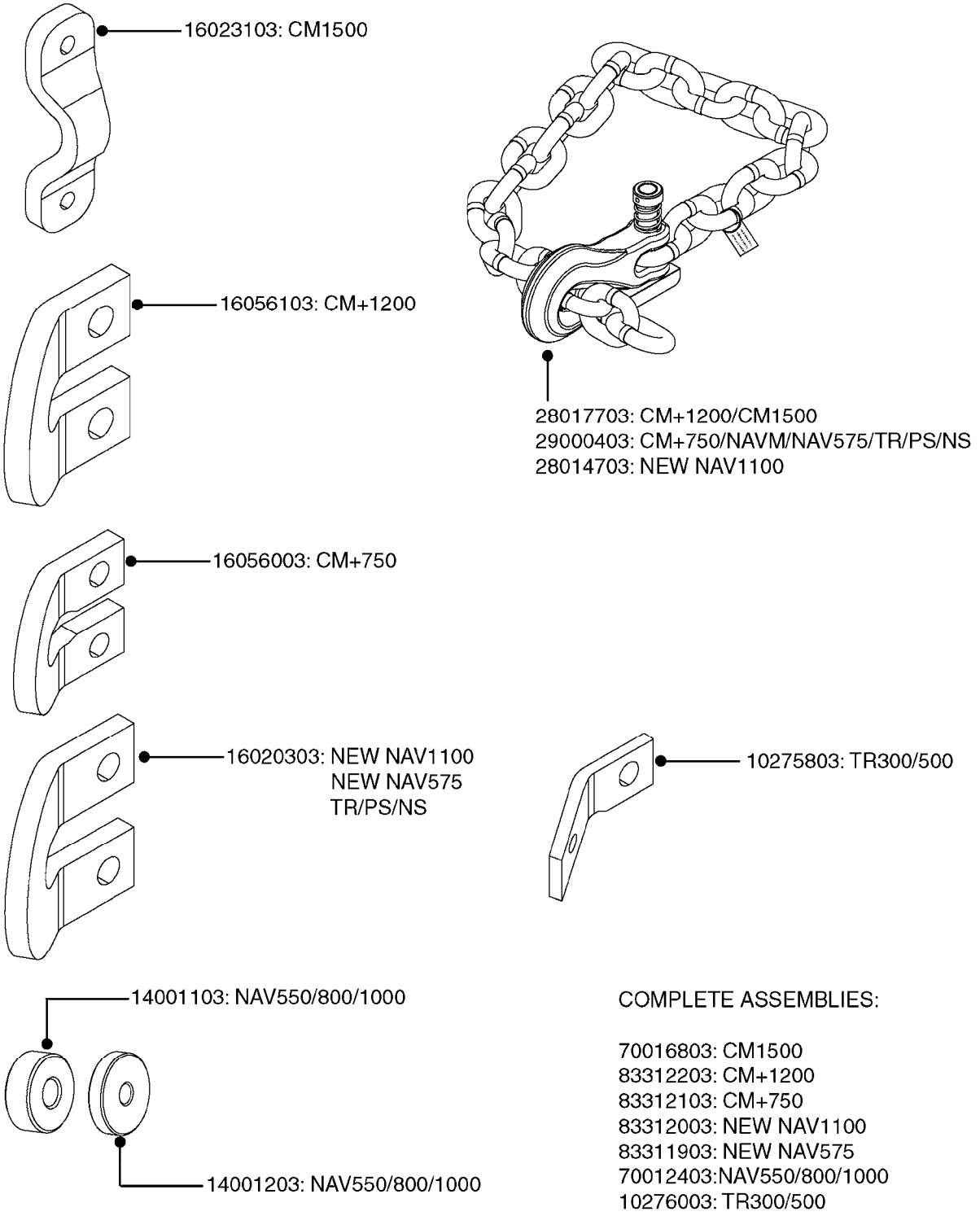


RINSE SYSTEM NOZZLES
K0730-HIN, 01:01:16

Page 1

Date 04.11.2017 13:50

| parts-n° | order qty | description |
|----------|-----------|--------------------------------|
| 145997 | 1 | FITT.DK S-93 FORK |
| 240306 | 1 | O-RING D29/D21X4 |
| 242092 | 1 | O-RING D69.5X3 |
| 242594 | 1 | O-RING D14 X 1.78 SCH.70-EPDM |
| 320283 | 1 | FITT.DK NUT 3/4"BSP |
| 320467 | 1 | FITT.DK BULKHEAD 1"BSP SINGLE |
| 320471 | 1 | FITT.DK NUT 1" BSP JAMB |
| 320482 | 1 | FITT.DK ELB. 1/2" BSP 60 DEG. |
| 320574 | 1 | FITT.DK NUT 1" BSP SPECIAL |
| 321484 | 1 | BUSHING THREADED F.NOZZ.TUBE |
| 322105 | 1 | FITT.DK S-93 BULKHEAD DOUBLE |
| 322109 | 1 | FITT.DK S-93 BULKHEAD NUT |
| 330212 | 1 | O-RING D19/D14X2.4 F.1/2"NUT |
| 332577 | 1 | O-RING D38/D30X4 F.1" PUR. |
| 334262 | 1 | GASKET F.S-93 BULKHEAD |
| 340885 | 1 | TUBE F. RINSE NOZZLE L=600 |
| 341106 | 1 | TUBE F.RINSE NOZZLE L=220 |
| 371563 | 1 | NOZZLE FOR TANK RINSE |
| 390485 | 1 | FITT.DK S-93 PLUG W D34 HOLE |
| 720856 | 1 | FITT.DK 1/2'BSP ASSY.F.3/4'NUT |
| 728014 | 1 | RINSE NOZZLE MOUNTED |



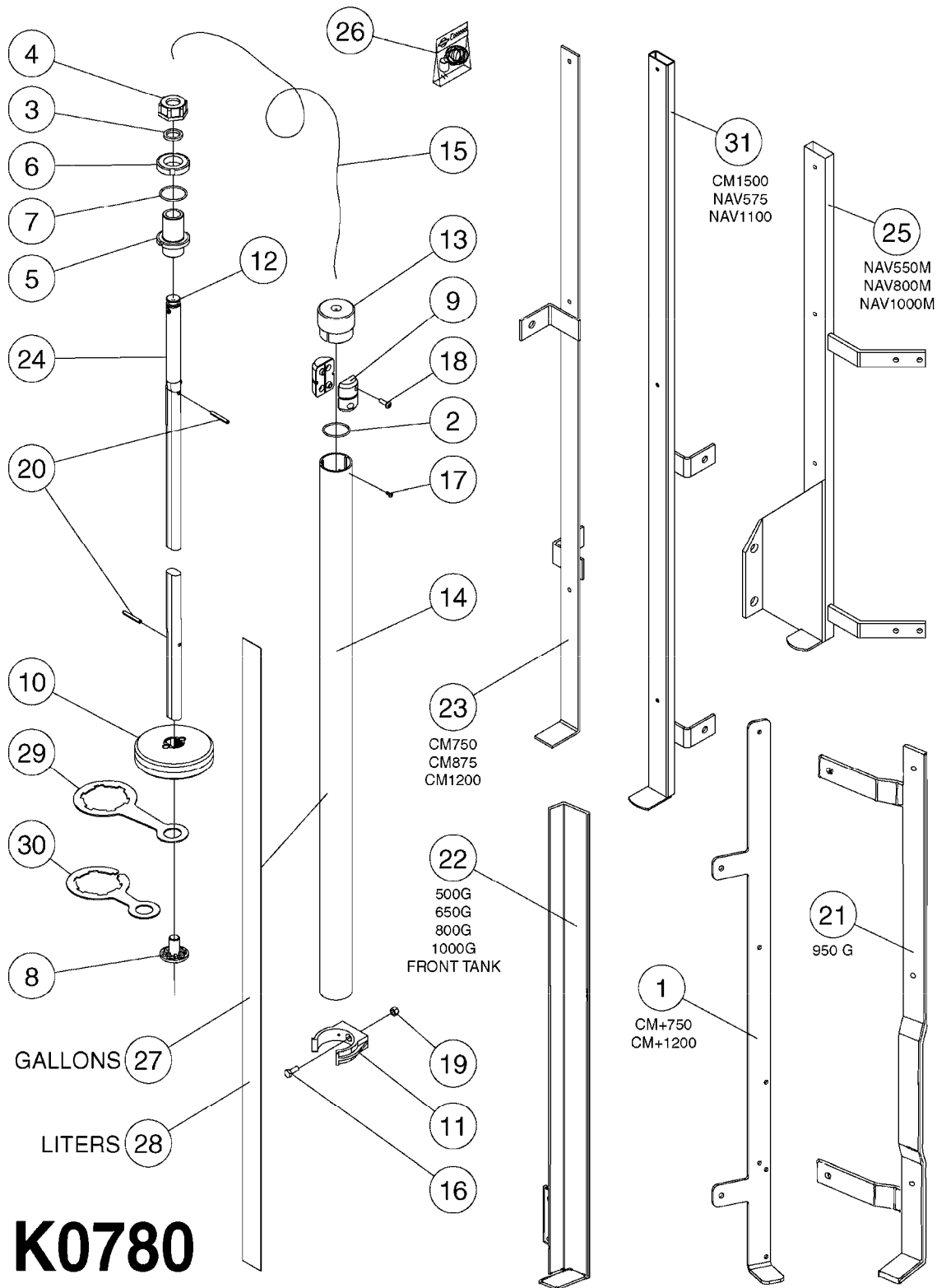
K0770



SAFETY CHAINS
K0770-HIN, 01:01:16

Page 1
Date 04.11.2017 13:50

| parts-n° | order qty | description |
|----------|-----------|--------------------------------|
| 10275803 | 1 | CHAIN BKT. FOR TR300/500/TX650 |
| 10276003 | 1 | SAFETY CHAIN KIT TR300/500 |
| 14001103 | 1 | MOUNTING HUB F. SAFETY CHAIN |
| 14001203 | 1 | MNT WASHER F. SAFE CHAIN KIT |
| 16020303 | 1 | SAFETY CHAIN MNT.BRKT.30,400LB |
| 16023103 | 1 | SAFETY CHAIN MNT.BRKT.40,500LB |
| 16056003 | 1 | SAFETY CHAIN MNT.BRKT.16100 lb |
| 16056103 | 1 | SAFETY CHAIN MNT.BRKT.40500 lb |
| 28014703 | 1 | SAFETY CHAIN 30,400LBS CERT. |
| 28017703 | 1 | SAFETY CHAIN 40,500LBS CERT. |
| 29000403 | 1 | SAFETY CHAIN CERT 16100LB |
| 70012403 | 1 | *SAFETY CHAIN KIT 16100LB NAV |
| 70016803 | 1 | SAFETY CHAIN KIT CM1500 |
| 83311903 | 1 | SAFTY CHAIN KIT 575 NAV. |
| 83312003 | 1 | SAFETY CHAIN KIT 1100 NAV. |
| 83312103 | 1 | SAFETY CHAIN KIT CM+750 |
| 83312203 | 1 | SAFETY CHAIN KIT CM+1200 |



K0780



SIGHT GAUGE - REMOTE
K0780-HIN, 16:03:17

Page 1
Date 04.11.2017 13:50

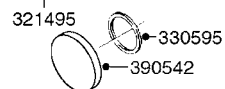
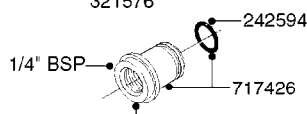
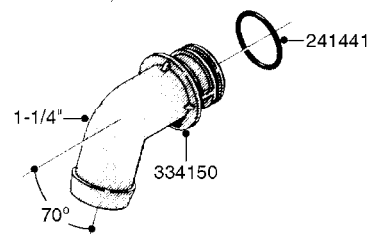
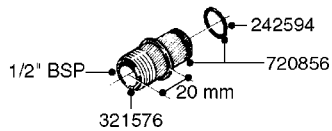
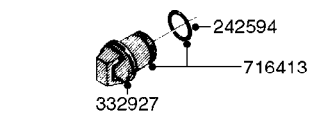
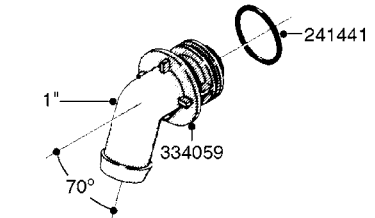
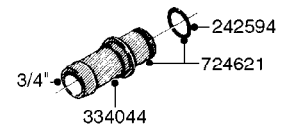
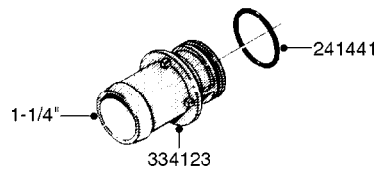
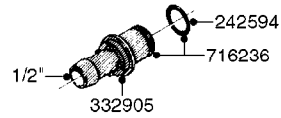
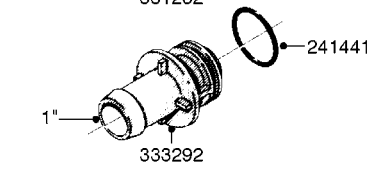
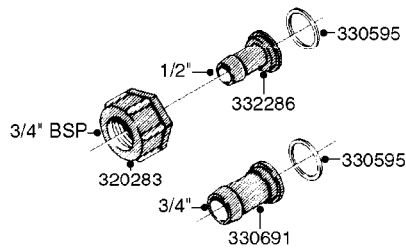
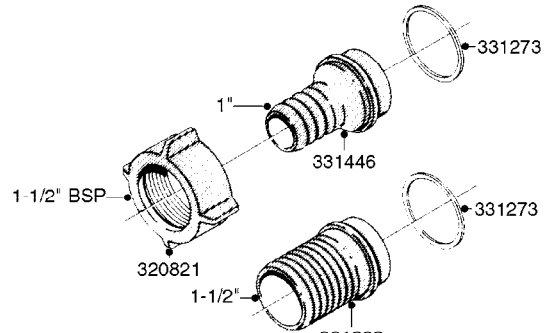
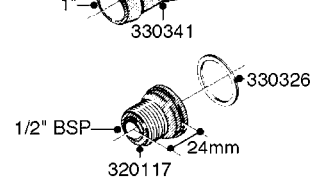
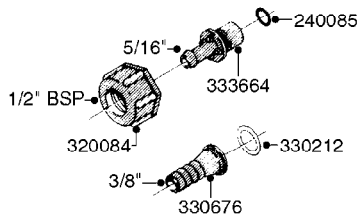
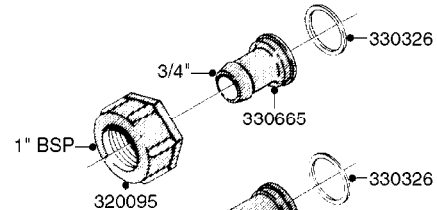
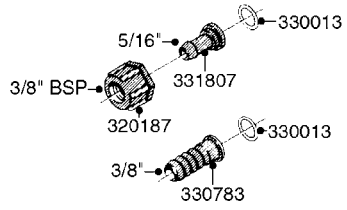
| Pos. | parts-n° | order qty | description |
|------|----------|-----------|--|
| 1 | 161950 | 1 | SIGHT GAUGE MT BKT CM+ 750/120 |
| 2 | 242262 | 1 | O-RING D31X3 VITON |
| 3 | 242309 | 1 | SEAL Ø22 ID Ø30 OD X 4 HIGH |
| 4 | 320095 | 1 | FITT.DK NUT 1" BSP |
| 5 | 320456 | 1 | FITT.DK BULKHEAD 1"BSP DOUBLE |
| 6 | 320471 | 1 | FITT.DK NUT 1" BSP JAMB |
| 7 | 332577 | 1 | O-RING D38/D30X4 F.1" PUR. |
| 8 | 333864 | 1 | GUIDE F. SAFETY VALVE SPRING |
| 9 | 334513 | 1 | MARKER HALF SIGHT GAUGE RED |
| 10 | 334515 | 1 | FLOATER FOR LIQUID LEVEL |
| 11 | 334523 | 1 | PIPE HOLDER D51.5 |
| 12 | 334849 | 1 | SIGHT GAUGE GUIDE F. SS TUBE |
| 13 | 334850 | 1 | GUIDE F. SIGHT GAUGE TUBE TOP |
| 14 | 341202 | 1 | TUBE F.SIGHT GAUGE L=40" |
| 14 | 341204 | 1 | SIGHT GAUGE TUBE L=59" |
| 14 | 341283 | 1 | TUBE F.SIGHT GAUGE L=72" |
| 14 | 341307 | 1 | TUBE F.SIGHT GAUGE L=75" NCM 4400 |
| 14 | 341339 | 1 | TUBE F.SIGHT GAUGE L=82" NCM 6600 |
| 14 | 341340 | 1 | TUBE F.SIGHT GAUGE L=94" (2382) NCM 9000 |
| 14 | 34000703 | 1 | TUBE F. DRY GAUGE L=1200 BENT RANGER 2200 |
| 15 | 390487 | 1 | CORD NYLON/SIGHT GAUGE 4500mm |
| 15 | 28034100 | 1 | CABLE F.LIQUID LEVEL IND.L=5M |
| 16 | 410185 | 1 | BOLT HEX 8.8 DEL M6X16 |
| 16 | 410362 | 1 | BOLT HEX 8.8 SS M6X20 |
| 17 | 440663 | 1 | SCREW 3/8" NR4 STAINLESS |
| 18 | 440677 | 1 | SCREW F. PLASTIC 5X20 SS |
| 19 | 460261 | 1 | NUT HEX M6X1.00 LOCK DIN985 A2 SS |
| 20 | 480717 | 1 | PIN D5 X 40 STAINLESS |
| 20 | 480730 | 1 | PIN ROLL 5X30 STAINLESS STEEL |
| 21 | 615197 | 1 | BKT.SIGHT GAUGE HC950 |
| 22 | 615308 | 1 | BRACKET FOR SIGHT TUBE |
| 23 | 615941 | 1 | SIGHT GAUGE MOUNT BRACKET CM |
| 24 | 615942 | 1 | GUIDE TUBE F.FLOATER CM1200G |
| 24 | 615943 | 1 | GUIDE TUBE F.FLOATER CM875G |
| 24 | 615944 | 1 | GUIDE TUBE F.FLOATER, L=1680 NAV 575 & CM 750 |
| 24 | 615945 | 1 | GUIDE TUBE F.FLOATER, L=1610, NV3000 NAV 3000 & HC650 |
| 24 | 615947 | 1 | GUIDE TUBE F.FLOATER TR 500G NAV 3000 & HC650 |
| 24 | 615948 | 1 | GUIDE TUBE F.FLOATER MA 1000-1200-1500 L |
| 24 | 615949 | 1 | GUIDE TUBE F.FLOATER MEGA 230G |
| 24 | 615951 | 1 | GUIDE TUBE F.FLOATER NAV800G |
| 24 | 615952 | 1 | GUIDE TUBE F.FLOATER NAV1000G |
| 24 | 615954 | 1 | GUIDE TUBE F. FLOATER F.T.250G |
| 24 | 615955 | 1 | GUIDE TUBE F.FLOATER FT.350G |
| 24 | 615957 | 1 | GUIDE TUBE F.FLOATER NAV.550G |
| 24 | 61022100 | 1 | GUIDE TUBE F NP1100/CM1500 |
| 24 | 61022600 | 1 | GUIDE TUBE F.FLOATER RANGER RANGER 2000 & 2200 |
| 24 | 61036700 | 1 | GUIDE TUBE F.FLOATER, L=1850, NV4000/CM4400 NCM 4400 & NAV 4000 |
| 24 | 61038600 | 1 | GUIDE TUBE F.FLOAT NCM 9000 |
| 24 | 61038700 | 1 | GUIDE TUBE F.FLOAT NCM 6600 |
| 25 | 637998 | 1 | MANIFOLD BKT. NAVIGATOR |
| 26 | 741527 | 1 | SIGHT GAUGE KIT SS WIRE '98 |
| 27 | 978056 | 1 | DECAL S/G TUBE 500GAL-99 |



SIGHT GAUGE - REMOTE
K0780-HIN, 16:03:17

Page 2
Date 04.11.2017 13:50

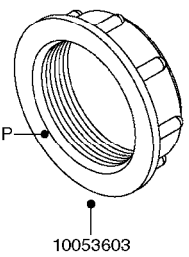
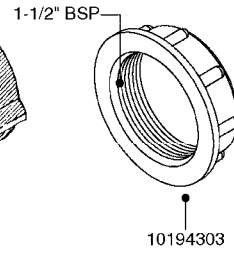
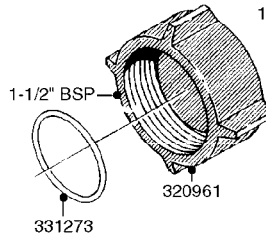
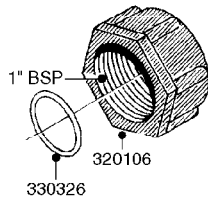
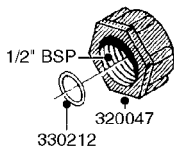
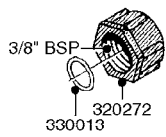
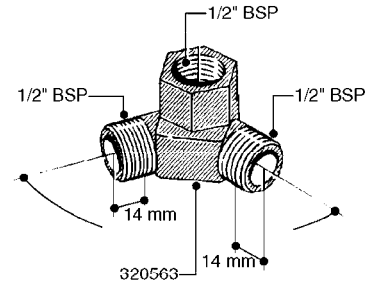
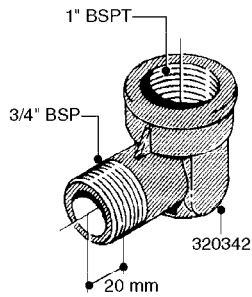
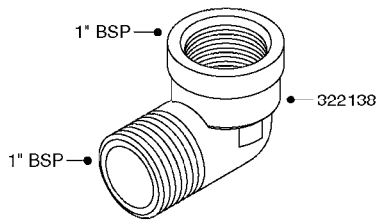
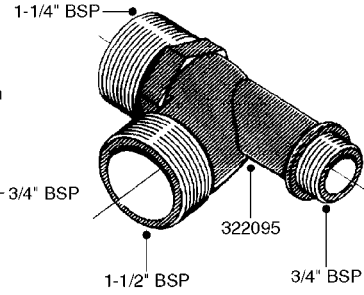
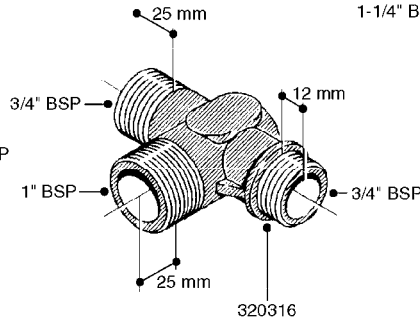
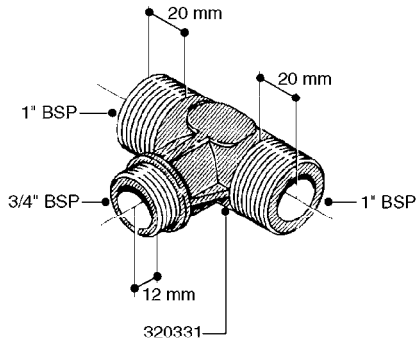
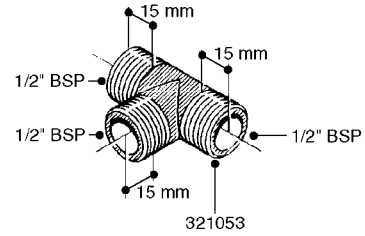
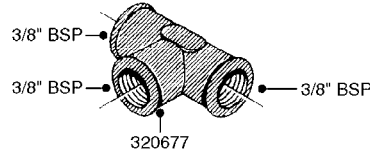
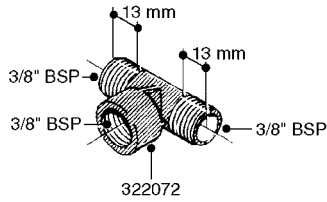
| Pos. | parts-n° | order qty | description |
|------|----------|-----------|---|
| 27 | 978324 | 1 | DECAL SCALE HC650 |
| 27 | 978327 | 1 | DECAL SCALE 500 |
| 27 | 978329 | 1 | DECAL SCALE HC950 |
| 27 | 978387 | 1 | DECAL SCALE NAV 800 |
| 27 | 978388 | 1 | DECAL SCALE NAV 1000 |
| 27 | 978431 | 1 | DECAL SCALE MEGA 230 G |
| 27 | 978432 | 1 | DECAL SCALE MEGA 350 G |
| 27 | 978469 | 1 | DECAL SCALE F.TANK 250G |
| 27 | 978470 | 1 | DECAL SCALE F.TANK 350G |
| 27 | 978610 | 1 | DECAL SCALE CM750 US GAL |
| 27 | 978691 | 1 | DECAL SCALE CM875 |
| 27 | 978692 | 1 | DECAL SCALE CM1200 |
| 27 | 10637303 | 1 | DECAL SCALE F.270G MISTBLOWER |
| 27 | 10637403 | 1 | DECAL SCALE M/BLOWER 500 USGAL |
| 27 | 97602603 | 1 | DECAL S/G TUBE CM 1500 |
| 27 | 97604803 | 1 | DECAL SIGHT GAUGE 1100 NAV. |
| 27 | 97604903 | 1 | DECAL SIGHT GAUGE 575 NAV. |
| 27 | 97608903 | 1 | DECAL SIGHT GAUGE 550M NAV. |
| 27 | 97609703 | 1 | DECAL S/G RANGER 2200 (600 G) RANGER 2200 (600 GAL.) |
| 27 | 97609803 | 1 | DECAL SIGHT GAUGE CM6600 GAL. NCM 6600 (1850 GAL.) |
| 27 | 97610003 | 1 | DECAL SIGHT GAUGE NCM 9000 GAL NCM 9000 (2400 GAL.) |
| 27 | 97610203 | 1 | DECAL SIGHT GAUGE NAV 3000 GAL NAV 3000 (800 GAL.) |
| 27 | 97610403 | 1 | DECAL SIGHT GAUGE NAV 4000 GAL NAV 4000 (1200 GAL.) |
| 27 | 97611503 | 1 | DECAL SIGHT GAUGE NAV 3500 GAL NAV 3500 (1000 GAL.) |
| 27 | 97613303 | 1 | DECAL S/G RANGER 2000 (GALLON) |
| 27 | 97833300 | 1 | DECAL SIGHT GAUGE CM4400 GAL. NCM 4400 (1200 GAL.) |
| 28 | 978127 | 1 | DECAL SCALE NAV550M METRIC |
| 28 | 978128 | 1 | DECAL SCALE NAV800M METRIC |
| 28 | 978129 | 1 | DECAL SCALE NAV1000M METRIC |
| 28 | 978291 | 1 | DECAL SCALE HC950M METRIC |
| 28 | 978313 | 1 | DECAL SCALE HC650M METRIC |
| 28 | 978589 | 1 | DECAL SCALE CM 3200 LITERS |
| 28 | 978590 | 1 | DECAL SCALE CM 4200 LITERS |
| 28 | 978690 | 1 | DECAL SCALE CM750 METRIC |
| 28 | 89109004 | 1 | DECAL SIGHT GAUGE 9000 LITERS |
| 28 | 97607203 | 1 | DECAL S/G TUBE 4200L. NEW NAV |
| 28 | 97609903 | 1 | DECAL S/G RANGER 2200 LITERS |
| 28 | 97610503 | 1 | DECAL SIGHT GAUGE NAV 4000 LIT |
| 28 | 97611403 | 1 | DECAL SIGHT GAUGE NAV 3500 LIT |
| 28 | 97613403 | 1 | DECAL S/G RANGER 2000 (LITER) |
| 28 | 97808000 | 1 | DECAL SIGHT GAUGE CM4400 LITER |
| 28 | 97813700 | 1 | DECAL SIGHT GAUGE CM6600 LITER |
| 28 | 97820900 | 1 | DECAL SIGHT GAUGE NAV 3000 LTR |
| 29 | 16025500 | 1 | TANK SPACER SIGHT GAUGE |
| 30 | 16135600 | 1 | GUIDE FOR SIGHT GAUGE NAV/NCM |
| 31 | 61005703 | 1 | BRACKET WELD SIGHT GAUGE |



L0010



| parts-n° | order qty | description |
|----------|-----------|---------------------------------|
| 240085 | 1 | O-RING D13,1/8,3X02,4 NITRIL |
| 241441 | 1 | O-RING D29.3X3 |
| 242594 | 1 | O-RING D14 X 1.78 SCH.70-EPDM |
| 320084 | 1 | FITT.DK NUT 1/2" BSP |
| 320095 | 1 | FITT.DK NUT 1" BSP |
| 320117 | 1 | FITT.DK CONN.1/2"BSP F. 1" CAP |
| 320187 | 1 | FITT.DK CAP 3/8" BSP BLACK |
| 320283 | 1 | FITT.DK NUT 3/4"BSP |
| 320821 | 1 | FITT.DK NUT 1-1/2" BSP |
| 321495 | 1 | FITT.DK REDUC 1/4'BSP F.3/4'NT |
| 321576 | 1 | FITT.DK CONN 1/2"BSP F.3/4"NUT |
| 330013 | 1 | O-RING D15/D10X2.5 F.3/8"NUT |
| 330212 | 1 | O-RING D19/D14X2.4 F.1/2"NUT |
| 330326 | 1 | O-RING D30/D24X2 F.1"NUT |
| 330341 | 1 | FITT.DK HB 1" F. 1" NUT |
| 330595 | 1 | O-RING D24.6/D20X2.1 -3/4" |
| 330665 | 1 | 3/4' HOSE TAIL F/1' CAP |
| 330676 | 1 | FITT.DK HB 3/8" F. 1/2" NUT |
| 330687 | 1 | FITT.DK HB 1/2" F. 1/2" NUT |
| 330691 | 1 | FITT.DK HB 3/4'F.3/4' NUT |
| 330783 | 1 | FITT.DK HB 3/8"F.3/8" NUT |
| 331262 | 1 | FITT.DK HB 1-1/2" F. 1-1/2"NUT |
| 331273 | 1 | O-RING D44/D38X2 F.1-1/2" |
| 331446 | 1 | FITT.DK HB 1" F.1-1/2" NUT |
| 331807 | 1 | FITT.DK HB 5/16" F.3/8" NUT |
| 332286 | 1 | FITT.DK HB 1/2" F. 3/4" NUT |
| 332905 | 1 | FITT.DK HB 1/2" F. 3/4" CAP |
| 332927 | 1 | PLUG F. NOZZLE TUBE 3/4' |
| 333292 | 1 | FITT.DK HB 1"O'RING F.1-1/2" |
| 333664 | 1 | FITT.DK HB 5/16' F. 1/2' NUT |
| 334044 | 1 | FITT.DK HB 3/4' F. 3/4' CAP |
| 334059 | 1 | FITT.DK EL 1" 110 DEG.F.1-1/2" |
| 334123 | 1 | FITT.DK HB 1-1/4"O-RNG F.1-1/2" |
| 334150 | 1 | FITT.DK HB 1-1/4" 110 F.1-1/2" |
| 390542 | 1 | PLUG WASHER FOR 3/4'CAP NUT |
| 716236 | 1 | FITT.DK HB 1/2" ASSY. F. 3/4" |
| 716413 | 1 | FITT.DK PLUG ASSY. F.NOZ TUBE |
| 717426 | 1 | FITT.DK REDUC 1/4"BSP F.3/4"N |
| 720856 | 1 | FITT.DK 1/2'BSP ASSY.F.3/4'NUT |
| 724621 | 1 | FITT.DK HB 3/4"ASSY F.3/4" NUT |



L0020

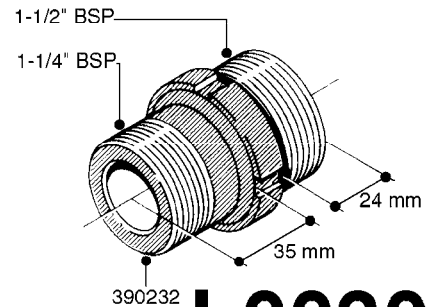
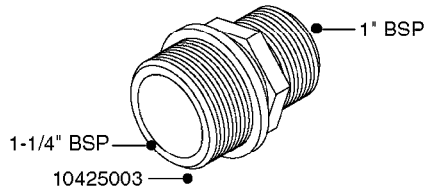
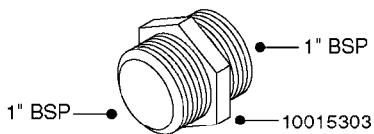
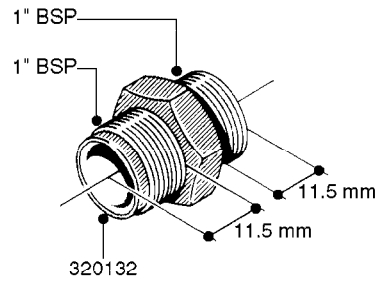
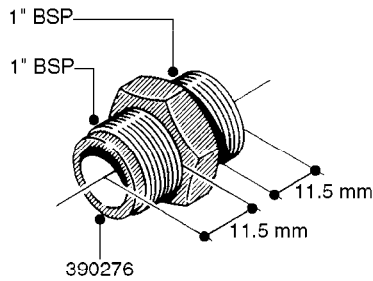
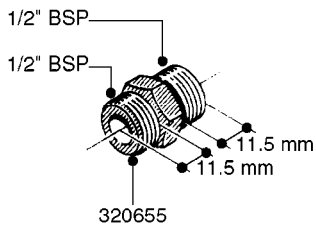
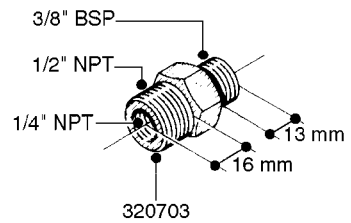
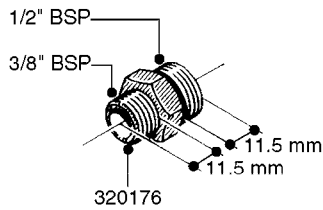
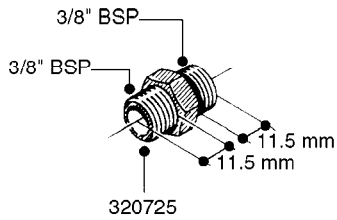
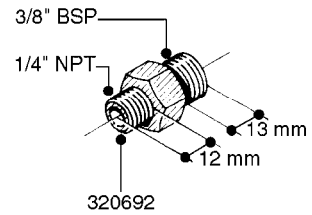
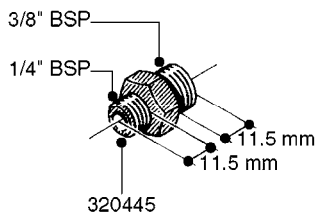
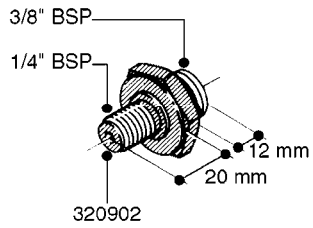


FITTINGS-T-PIECES, CAPS & ELBOWS
L0020-HIN, 01:01:16

Page 1

Date 04.11.2017 13:50

| parts-n° | order qty | description |
|----------|-----------|------------------------------------|
| 10053603 | 1 | FITT. CAPNUT 2"BSP 5601 |
| 10194303 | 1 | CAP BLANK 1 1/2 MCPHEE 210060 |
| 320047 | 1 | FITT.DK CAPNUT 1/2" BSP |
| 320106 | 1 | FITT.DK CAPNUT 1" BSP |
| 320272 | 1 | FITT.DK CAPNUT 3/8" BSP |
| 320316 | 1 | FITT.DK TEE 3/4" X3/4" X1"BSP |
| 320331 | 1 | FITT.DK TEE 1" - 1" - 3/4" BSP |
| 320342 | 1 | FITT.DK EL 3/4"M X 1"F BSP |
| 320563 | 1 | FITT.DK 3 WAY 1/2" 110 DEG. |
| 320677 | 1 | NO LONGER AVAILABLE |
| 320961 | 1 | FITT.DK CAPNUT 1-1/2" BSP |
| 321053 | 1 | FITT.DK TEE 1/2 X1/2 X1/2" BSP |
| 322072 | 1 | FITT.DK TEE 3/8'X3/8'X3/8' BSP |
| 322095 | 1 | FITT.DK TEE 1-1/2 X1-1/4 X3/4" BSP |
| 322138 | 1 | FITT.DK ELB 1"M X 1"F BSP |
| 330013 | 1 | O-RING D15/D10X2.5 F.3/8"NUT |
| 330212 | 1 | O-RING D19/D14X2.4 F.1/2"NUT |
| 330326 | 1 | O-RING D30/D24X2 F.1"NUT |
| 331273 | 1 | O-RING D44/D38X2 F.1-1/2" |



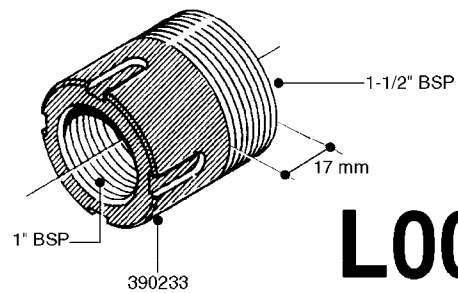
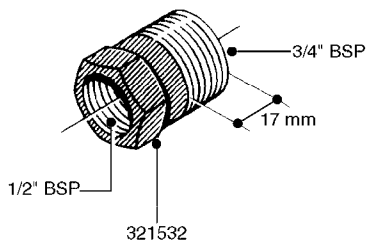
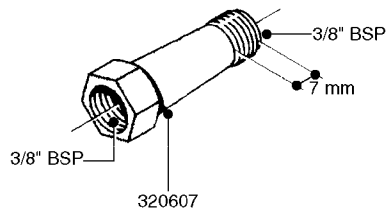
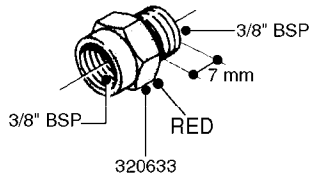
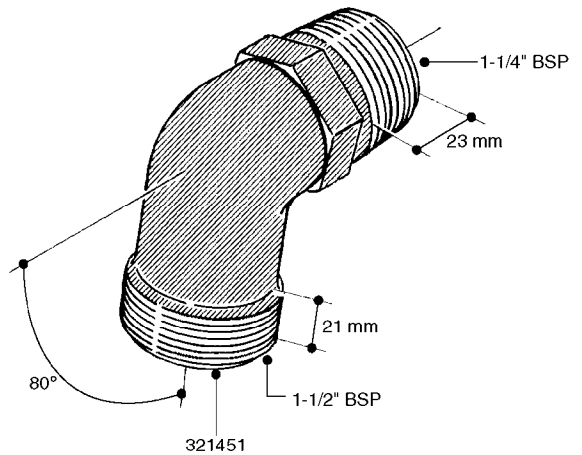
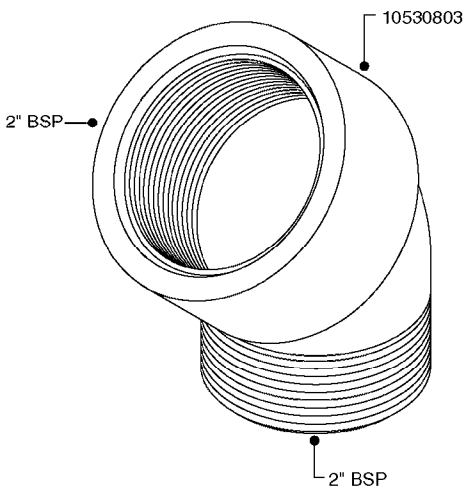
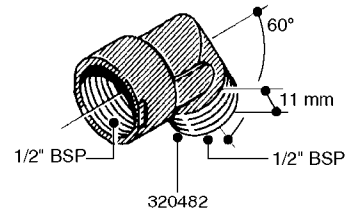
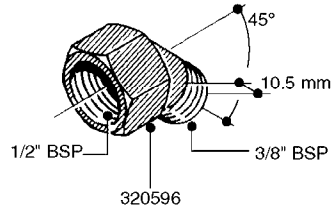
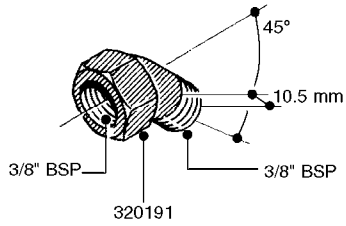
L0030



FITTINGS - HEXAGON NIPPLES
L0030-HIN, 01:01:16

Page 1
Date 04.11.2017 13:50

| parts-n° | order qty | description |
|----------|-----------|--------------------------------|
| 10015303 | 1 | FITT.PO.HN 1.00X1.00 M1000 |
| 10425003 | 1 | FITT.PO.HN 1.25X1.00 MCPHEE |
| 320132 | 1 | FITT.DK HN 1" BSP |
| 320176 | 1 | FITT.DK HN 3/8"X1/2" BSP |
| 320445 | 1 | FITT.DK HN 1/4"X3/8" BSP |
| 320655 | 1 | FITT.DK HN 1/2"-1/2" BSP |
| 320692 | 1 | FITT.DK HN 3/8'BSPX1/4'NPT |
| 320703 | 1 | FITT.DK HN 3/8BSP X1/2 &1/4NPT |
| 320725 | 1 | FITT.DK NIPPLE 3/8"-3/8" BSP |
| 320902 | 1 | FITT.DK HN 3/8'X 1/4' BSP |
| 390232 | 1 | FITT.DK HN 1-1/2' X 1-1/4' BSP |
| 390276 | 1 | FITT.DK HN 1'BSP |



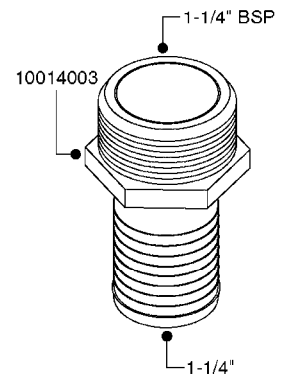
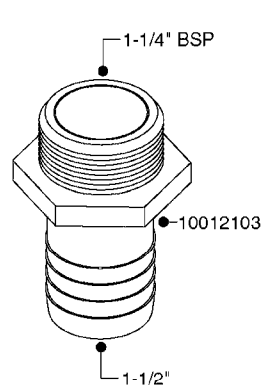
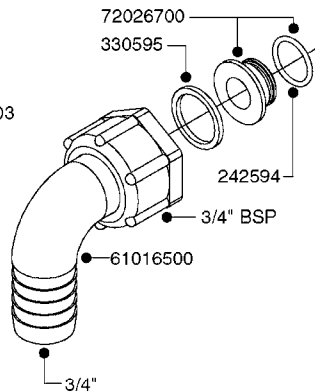
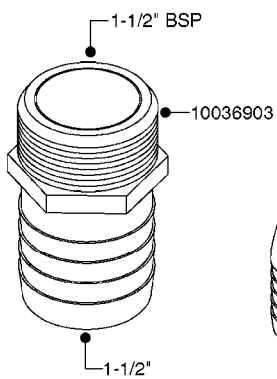
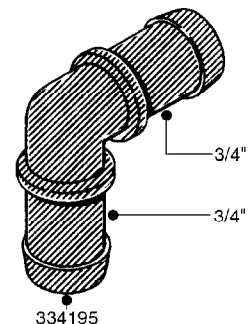
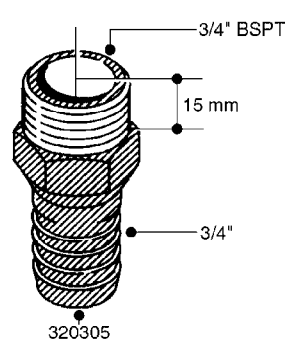
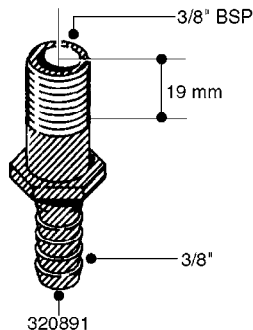
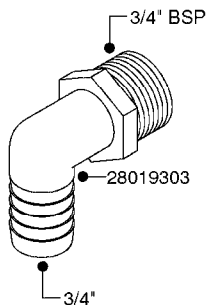
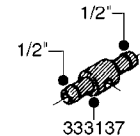
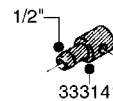
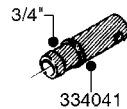
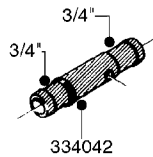
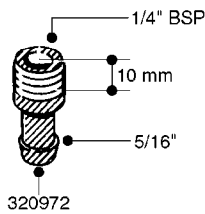
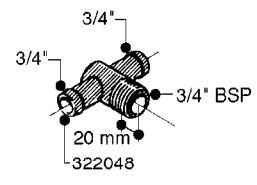
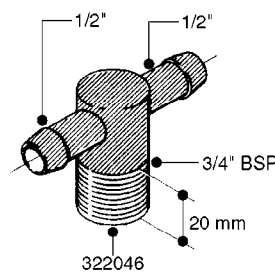
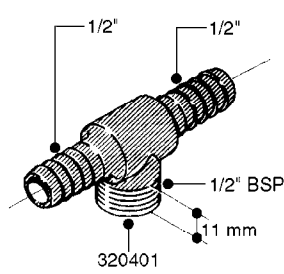
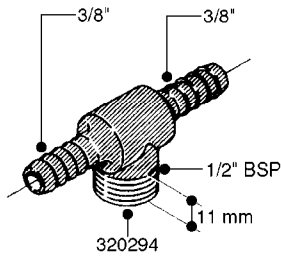
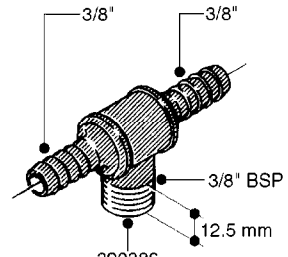
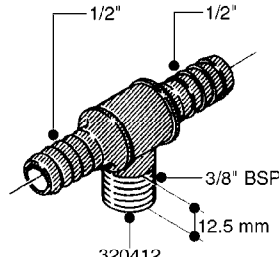
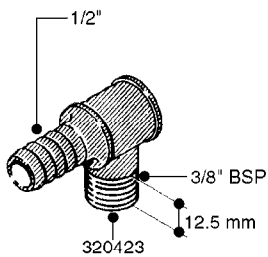
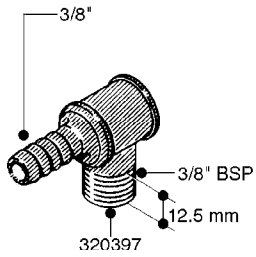
L0040



FITTINGS - NIPPLES & ELBOWS
L0040-HIN, 01:01:16

Page 1
Date 04.11.2017 13:50

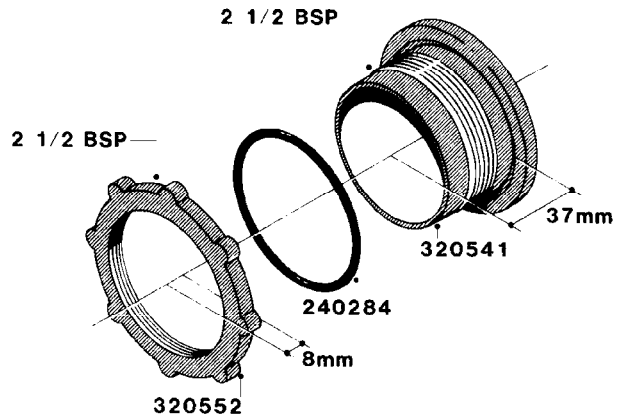
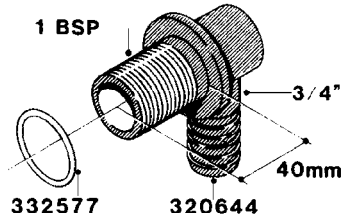
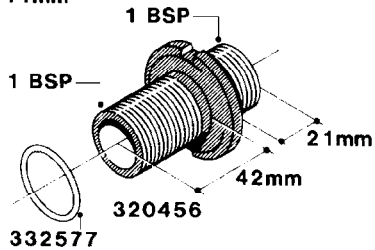
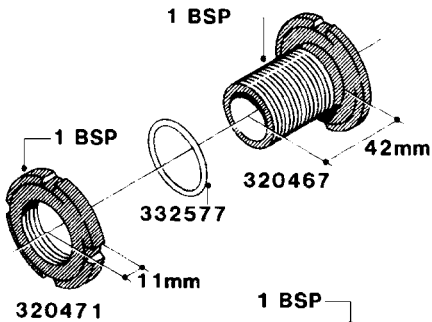
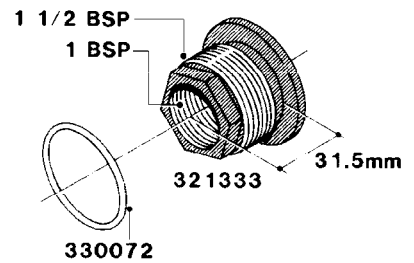
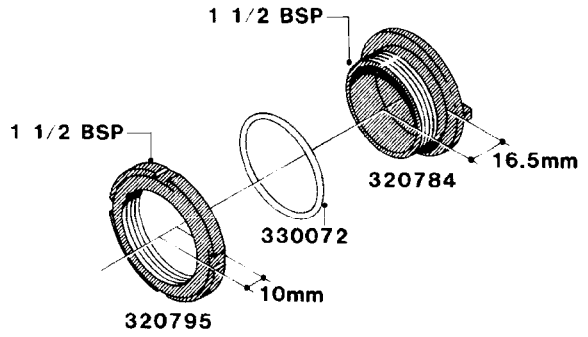
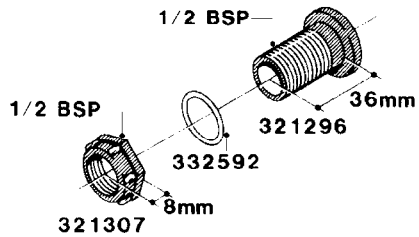
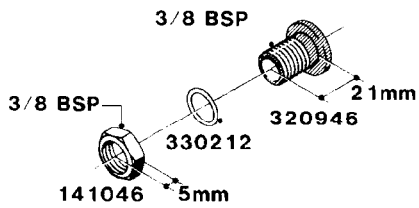
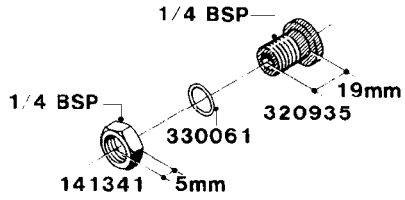
| parts-n° | order qty | description |
|----------|-----------|--------------------------------|
| 10530803 | 1 | FITT.PO.SE 2.00X2.00 45 DEG. |
| 320191 | 1 | FITT.DK ELB 3/8' BSP 45 DEGREE |
| 320482 | 1 | FITT.DK ELB. 1/2" BSP 60 DEG. |
| 320596 | 1 | FITT.DK ELB 3/8'-1/2'BSP 45DEG |
| 320607 | 1 | FITT.DK HN 3/8M X 3/8F BSP LNG |
| 320633 | 1 | FITT.DK HN 3/8"M X 3/8"F BSP |
| 321451 | 1 | FITT.DK ELB.1-1/2 X1-1/4 80DEG |
| 321532 | 1 | FITT.DK REDUC 3/4' X 1/2' BSP |
| 390233 | 1 | FITT.DK REDUC 1-1/2" X 1" BSP |



L0050



| parts-n° | order qty | description |
|----------|-----------|--------------------------------|
| 242594 | 1 | O-RING D14 X 1.78 SCH.70-EPDM |
| 320294 | 1 | FITT.DK TEE 3/8X3/8HB X1/2"BSP |
| 320305 | 1 | FITT.DK HB 3/4'- 3/4' BSP |
| 320386 | 1 | FITT.DK TEE 3/8X3/8HB X3/8"BSP |
| 320397 | 1 | FITT.DK ELB 3/8"HB X 3/8" BSP |
| 320401 | 1 | FITT.DK TEE 1/2X1/2HB X1/2"BSP |
| 320412 | 1 | FITT.DK TEE 1/2X1/2HB X3/8'BSP |
| 320423 | 1 | FITT.DK ELB 1/2'HB X 3/8' BSP |
| 320891 | 1 | FITT.DK HB 3/8'- 3/8' BSP |
| 320972 | 1 | FITT.DK HB 5/16'- 1/4' BSP |
| 322046 | 1 | FITT.DK TEE 1/2X1/2HB X3/4'BSP |
| 322048 | 1 | FITT.DK TEE 3/4X3/4HB X3/4'BSP |
| 330595 | 1 | O-RING D24.6/D20X2.1 -3/4" |
| 333137 | 1 | FITT.DK CONN.1/2" F.NOZZ. DOUB |
| 333141 | 1 | FITT.DK CONN.1/2" F.NOZZ.SING |
| 334041 | 1 | FITT.DK CONN.3/4' F.NOZZ. SING |
| 334042 | 1 | FITT.DK CONN.3/4' F.NOZZ. DOUB |
| 334195 | 1 | FITT.DK ELB. 3/4"HB X 3/4"HB |
| 10012103 | 1 | FITT.PO.HB 1.25X1.50 IMB1012 |
| 10014003 | 1 | FITT.PO.HB 1.25X1.25 IMB1010 |
| 10036903 | 1 | FITT.PO.HB 1.50X1.50 IMB1212 |
| 28019303 | 1 | FITTING HB ELB 3/4NPT-3/4HOSE |
| 61016500 | 1 | HOSE TAIL 3/4" 90°+RG CAP 3/4" |
| 72026700 | 1 | NOZZLE TUBE ADAPTER W/O-RING |



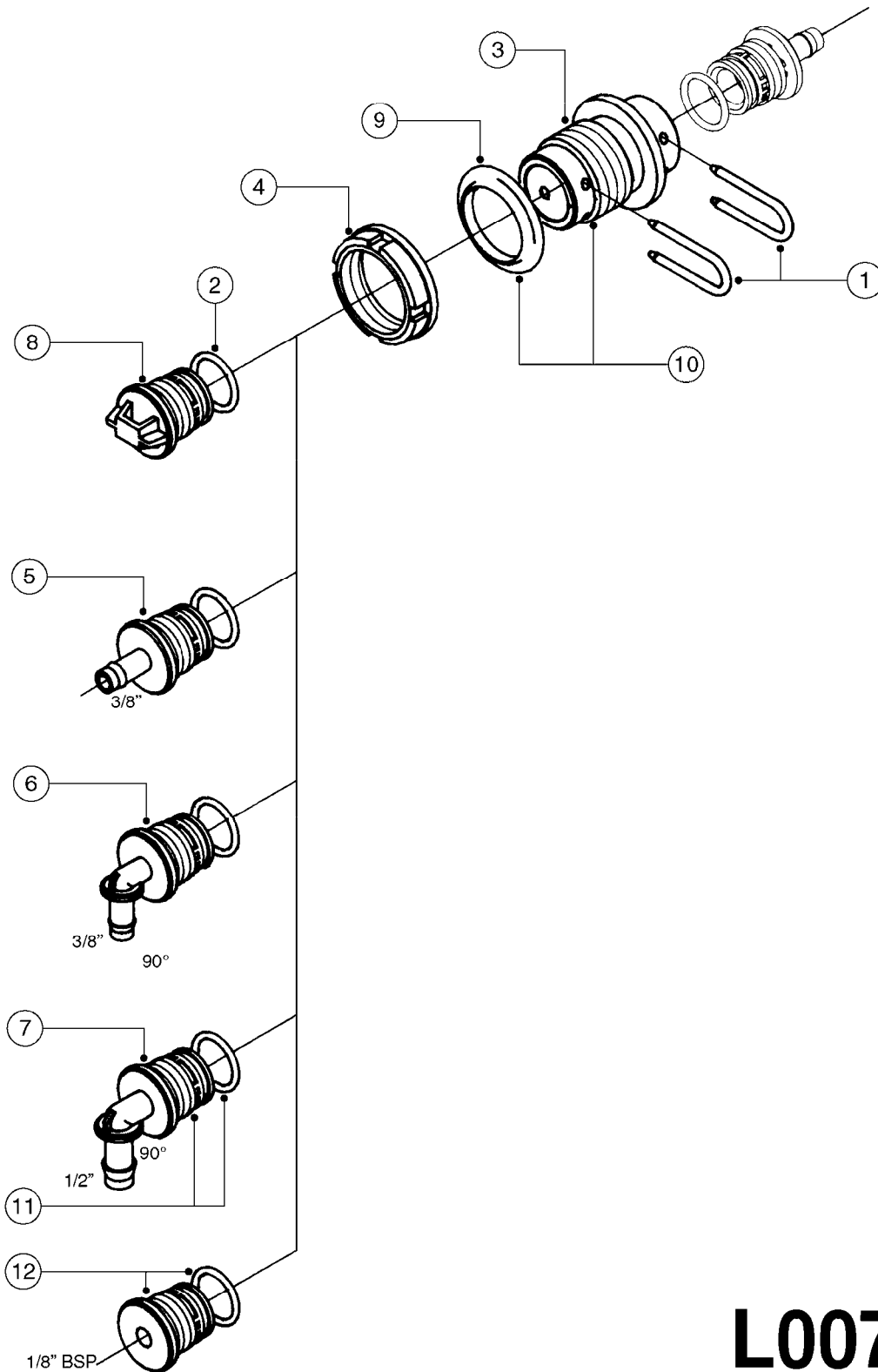
L0060



FITTINGS - BULKHEAD
L0060-HIN, 01:01:16

Page 1
Date 04.11.2017 13:50

| parts-n° | order qty | description |
|----------|-----------|--------------------------------|
| 141046 | 1 | NUT 3/8" BSP |
| 141341 | 1 | NUT 1/4' BSP |
| 240284 | 1 | O-RING D82,5/75 X 3,5 |
| 320456 | 1 | FITT.DK BULKHEAD 1"BSP DOUBLE |
| 320467 | 1 | FITT.DK BULKHEAD 1"BSP SINGLE |
| 320471 | 1 | FITT.DK NUT 1" BSP JAMB |
| 320541 | 1 | FITT.DK BULKHEAD 2-1/2'BSP SIN |
| 320552 | 1 | FITT.DK NUT 2-1/2' BSP JAMB |
| 320644 | 1 | FITT.DK ELB.3/4"HB X 1" BSP |
| 320784 | 1 | FITT.DK CAP 1-1/2" BSP |
| 320795 | 1 | FITT.DK NUT 1-1/2" BSP JAMB |
| 320935 | 1 | FITT.DK BULKHEAD 1/4' BSP SING |
| 320946 | 1 | FITT.DK BULKHEAD 3/8' BSP SING |
| 321296 | 1 | FITT.DK BULKHEAD 1/2" BSP SING |
| 321307 | 1 | FITT.DK NUT 1/2" BSP JAMB |
| 321333 | 1 | FITT.DK BULK 1-1/2" X 1"F BSP |
| 330061 | 1 | O-RING D16/D11X2,5 |
| 330072 | 1 | O-RING D53.5/D45.5X4 |
| 330212 | 1 | O-RING D19/D14X2.4 F.1/2"NUT |
| 332577 | 1 | O-RING D38/D30X4 F.1" PUR. |
| 332592 | 1 | O-RING D26/D20X3 |



L0070

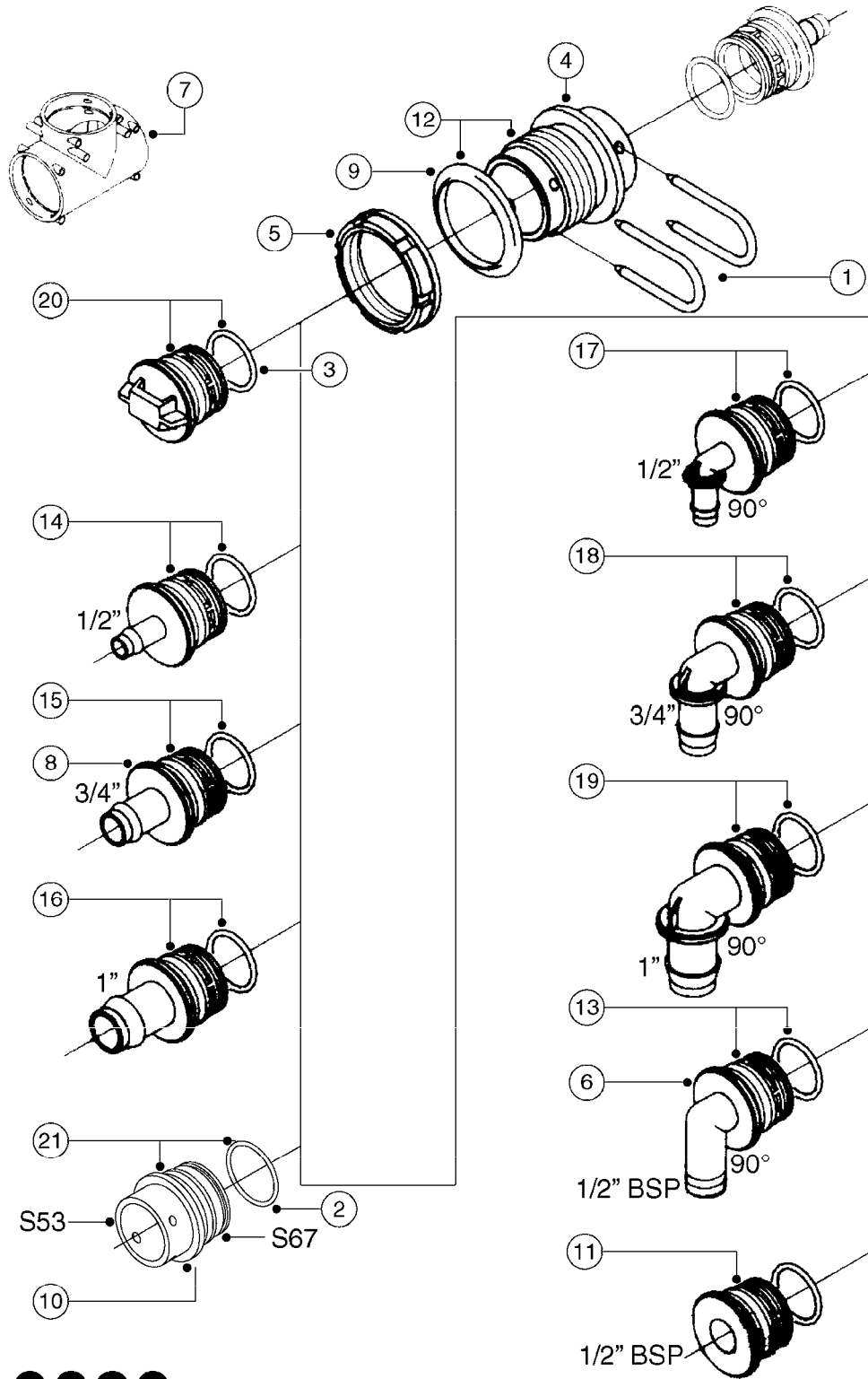


FITTINGS - S-40
L0070-HIN, 13:09:17

Page 1

Date 04.11.2017 13:50

| Pos. | parts-n° | order qty | description |
|------|----------|-----------|--|
| 1 | 145994 | 1 | FITT.DK S-40 FORK |
| 2 | 242108 | 1 | O-RING F.S-40 FITTING NITRIL (BLACK) |
| 2 | 242355 | 1 | O-RING D19.2X3.0 VITON F.S-40 VITON (BROWN) |
| 3 | 322102 | 1 | FITT.DK S-40 BULKHEAD |
| 4 | 322106 | 1 | FITT.DK S-40 BULKHEAD NUT |
| 5 | 334225 | 1 | FITT.DK S-40 STR.3/8" |
| 6 | 334237 | 1 | FITT.DK S-40 ELB.3/8" |
| 7 | 334238 | 1 | FITT.DK S-40 ELB.1/2" |
| 8 | 334248 | 1 | FITT.DK S-40 PLUG |
| 9 | 334259 | 1 | GASKET F. S-40 BULKHEAD |
| 10 | 726462 | 1 | FITT. S40 BULHEAD W. GASKET |
| 11 | 726567 | 1 | FITT.DK S-40 ELB.1/2" W.ORING |
| 12 | 726693 | 1 | FITT.DK S-40 PLUG 1/8BSP ORING |



L0080

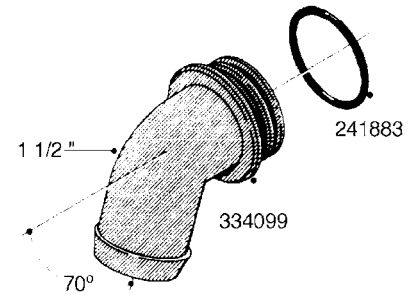
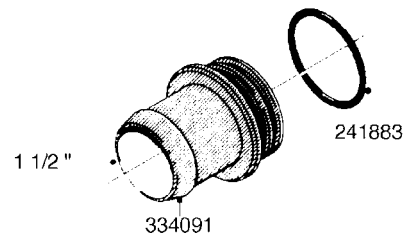
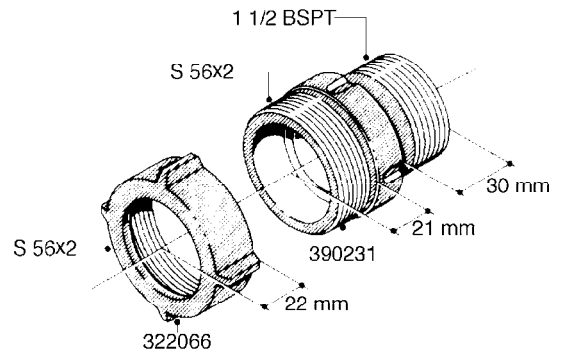
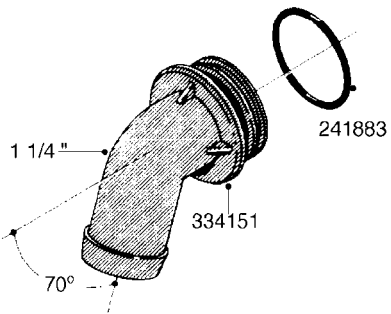
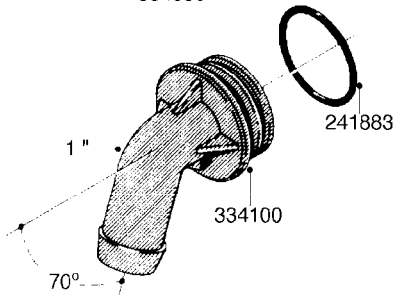
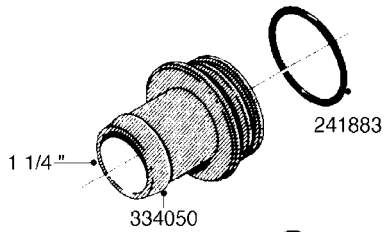
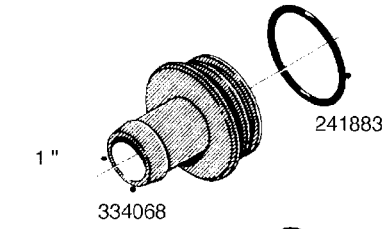
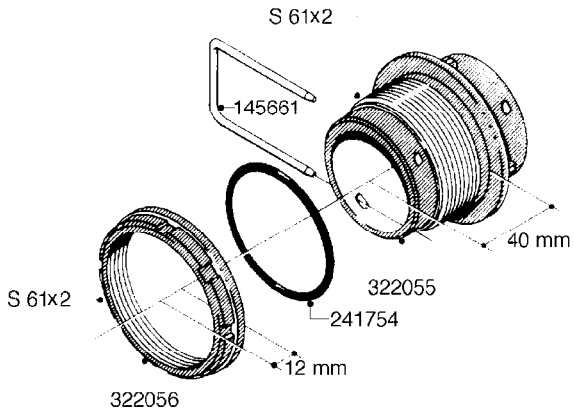


FITTINGS - S-53
L0080-HIN, 12:09:17

Page 1

Date 04.11.2017 13:50

| Pos. | parts-n° | order qty | description |
|------|----------|-----------|--|
| 1 | 145995 | 1 | FITT.DK S-53 FORK |
| 2 | 241973 | 1 | O-RING Ø3 X 44,2 70 SHORES NITRIL NITRIL (BLACK) |
| 2 | 242353 | 1 | O-RING D44.2X3.0 VITON F.S-67 VITON (BROWN) |
| 3 | 242109 | 1 | O-RING D32.2x3.0 NITRIL (BLACK) |
| 3 | 242354 | 1 | O-RING D32.2X3.0 VITON F.S-53 VITON (BROWN) |
| 4 | 322103 | 1 | FITT.DK S-53 BULKHEAD |
| 5 | 322107 | 1 | FITT.DK S-53 BULKHEAD NUT |
| 6 | 322110 | 1 | FITT.DK S-53 ELB. 1/2" BSP |
| 7 | 322352 | 1 | FITT.DK S-53 TEE |
| 8 | 334229 | 1 | FITT.DK S-53 STR.3/4" |
| 9 | 334260 | 1 | GASKET F. S-53 BULKHEAD |
| 10 | 334564 | 1 | FITT.DK S-67 TO S-53 ADAPTER |
| 11 | 391100 | 1 | FITT.DK S-53THREAD INS.1/2"BSP |
| 12 | 726463 | 1 | FITT.DK S53 BULKHEAD W/GASKET |
| 13 | 726552 | 1 | FIT.DK S-53X90 1/2" BSP,O-RING |
| 14 | 726556 | 1 | FITT.DK S-53 HB 1/2" W/O-RING |
| 15 | 726558 | 1 | FITT.DK S53 STR. 3/4" W.ORING |
| 16 | 726559 | 1 | FITT DK. S-53 HB 1" W/O-RING |
| 17 | 726568 | 1 | FITT.DK.S-53 HB 1/2"90 W/ORING |
| 18 | 726570 | 1 | FITT.DK S-53 ELB.3/4" W.ORING |
| 19 | 726571 | 1 | FITT.DK S-53 ELB.1", W ORING |
| 20 | 726578 | 1 | FITT.DK S53 PLUG WITH O-RING |
| 21 | 728561 | 1 | REDUCER S67M - S53F + O-RING |



L0090

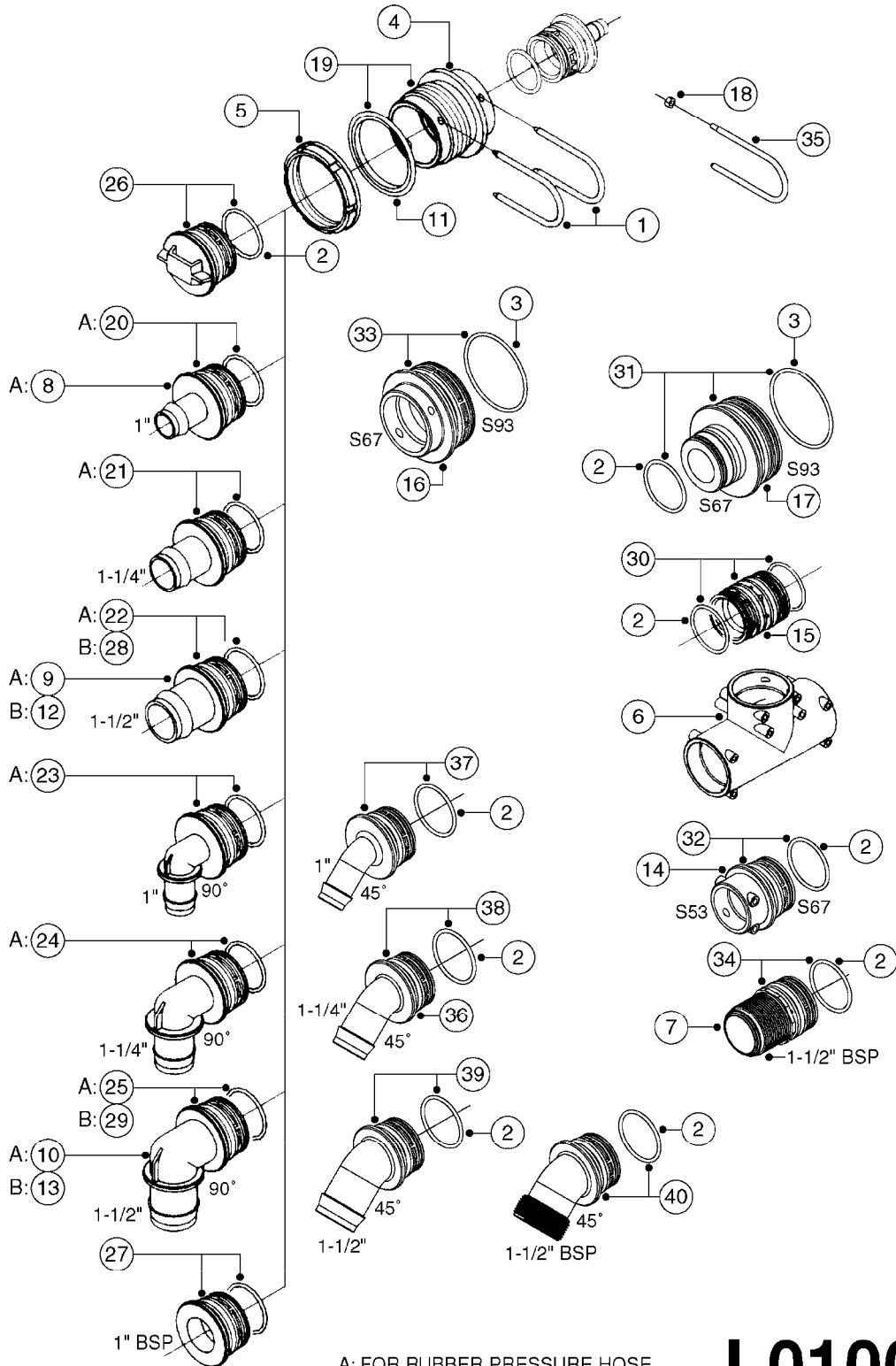


FITTINGS - S-56 & S-61
L0090-HIN, 01:01:16

Page 1

Date 04.11.2017 13:50

| parts-n° | order qty | description |
|----------|-----------|--------------------------------|
| 145661 | 1 | FITT.DK S-61 FORK |
| 241754 | 1 | O-RING D59.5X3 |
| 241883 | 1 | O-RING D39.2X3 NITRIL 242020 |
| 322055 | 1 | FITT.DK S-61 BULKHEAD |
| 322056 | 1 | FITT.DK S-61 BULKHEAD NUT |
| 322066 | 1 | FITT.DK S-56 NUT |
| 334050 | 1 | FITT.DK S-61 STR.1-1/4" |
| 334068 | 1 | FITT.DK S-61 STR.1" |
| 334091 | 1 | FITT.DK S-61 STR.1-1/2' |
| 334099 | 1 | FITT.DK S-61 ELB.1-1/2"110 DEG |
| 334100 | 1 | FITT.DK S-61 ELB.1" 110 DEG. |
| 334151 | 1 | FITT.DK S-61 ELB.1-1/4"110 DEG |
| 390231 | 1 | FITT.DK NIPPLE 1-1/2 X S56 |



A: FOR RUBBER PRESSURE HOSE
B: FOR PVC SPIRAL HOSE

L0100



FITTINGS - S-67
L0100-HIN, 12:09:17

Page 1
Date 04.11.2017 13:50

| Pos. | parts-n° | order qty | description |
|------|----------|-----------|--|
| 1 | 145996 | 1 | FITT.DK S-67 FORK |
| 2 | 241973 | 1 | O-RING Ø3 X 44,2 70 SHORES NITRIL NITRIL (BLACK) |
| 2 | 242353 | 1 | O-RING D44.2X3.0 VITON F.S-67 VITON (BROWN) |
| 3 | 242092 | 1 | O-RING D69.5X3 NITRIL (BLACK) |
| 3 | 242351 | 1 | O-RING D69.5X3.0 VITON F.S-93 VITON (BROWN) |
| 4 | 322104 | 1 | FITT.DK S-67 BULKHEAD |
| 5 | 322108 | 1 | FITT.DK S-67 BULKHEAD NUT |
| 6 | 322224 | 1 | FITT.DK S-67 TEE |
| 7 | 322325 | 1 | FITT.DK S-67 X 1-1/2"BSP LONG |
| 8 | 334231 | 1 | HOSE TAIL S67 STRAIGHT 1" |
| 9 | 334233 | 1 | HOSE TAIL S67 1"1/2 STRAIGHT |
| 10 | 334245 | 1 | HOSE TAIL 90° S67 1"1/2 |
| 11 | 334261 | 1 | GASKET F. S-67 BULKHEAD |
| 12 | 334444 | 1 | HOSE TAIL S67 1"1/2 STRAIGHT |
| 13 | 334445 | 1 | HOSE TAIL 90° S67 1"1/2 |
| 14 | 334564 | 1 | FITT.DK S-67 TO S-53 ADAPTER |
| 15 | 334573 | 1 | CONNECTING PIECE S67-S67 |
| 16 | 334601 | 1 | FITTING S93M- S67F |
| 17 | 334634 | 1 | FITT.DK ADAPTER S-93M S67M |
| 18 | 461217 | 1 | NUT HEX M5 LOCK |
| 19 | 726464 | 1 | FITTING S67 BULKHEAD WITH GASKET |
| 20 | 726560 | 1 | FITT.DK S-67 STR.1" W.O'RING |
| 21 | 726561 | 1 | FITT.DK S-67 STR.1-1/4" O'RING |
| 22 | 726562 | 1 | FITT.DK.S-67 HB 1-1/2"W.O-RING |
| 23 | 726572 | 1 | FITT.DK S-67 1" ELBOW 90 ASSY. |
| 24 | 726573 | 1 | FITT. S67 5/4" 90° W/O-RING |
| 25 | 726574 | 1 | FITT.DK S67X90,1.5HB PRESSURE |
| 26 | 726579 | 1 | FITT. S67 PLUG W/O-RING |
| 27 | 726695 | 1 | FITT.DK S-67 X 1"BSP W.ORING |
| 28 | 727223 | 1 | FITT.S67 1.5" STRAIT S W/ORING |
| 29 | 727224 | 1 | FITT.DK S67X90,1.5HB SUCTION |
| 30 | 728526 | 1 | FITT.DK S-67 CONNECT W. ORINGS |
| 31 | 728527 | 1 | ADAPTER S67M TO S93M W/ORING |
| 32 | 728561 | 1 | REDUCER S67M - S53F + O-RING |
| 33 | 728562 | 1 | FITTING S93M-S67F+O-RING |
| 34 | 728578 | 1 | FITT.DK S-67X1-1/2"BSP LG W/OR |
| 35 | 14012200 | 1 | FITT.DK S-67 FORK W/M5 THREADS |
| 36 | 33509700 | 1 | HOSE TAIL 45° S67 1"1/4 |
| 37 | 72433000 | 1 | HOSE TAIL 45° S67 1" + O-RING FOR PRESSURE |
| 38 | 72433100 | 1 | FITT.DK S-67 45° 1-1/4"W/ORING |
| 39 | 72433200 | 1 | HOSE TAIL 45° S67 1"1/2+O-RING |
| 40 | 72433400 | 1 | FITT.S67 1-1/2" 45°BSP W/ORING |

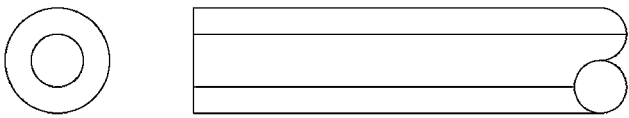
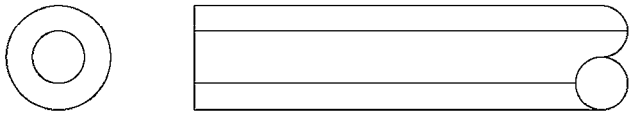
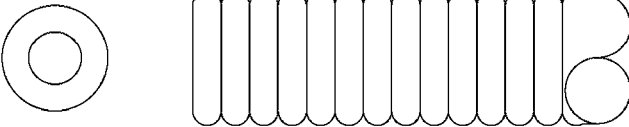
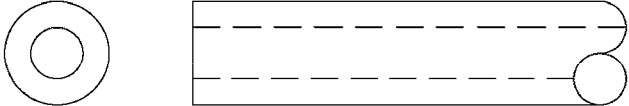
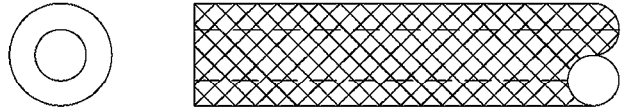



FITTINGS - S-93
L0110-HIN, 13:09:17

Page 1
Date 04.11.2017 13:50

| Pos. | parts-n° | order qty | description |
|------|----------|-----------|--|
| 1 | 145997 | 1 | FITT.DK S-93 FORK |
| 2 | 147115 | 1 | FITT.DK S-93 FORK SPECIAL |
| 3 | 147774 | 1 | FITT.DK S-93 FORK W. M5 THREAD |
| 4 | 241973 | 1 | O-RING Ø3 X 44,2 70 SHORES NITRIL NITRIL (BLACK) |
| 4 | 242353 | 1 | O-RING D44.2X3.0 VITON F.S-67 VITON (BROWN) |
| 5 | 242092 | 1 | O-RING D69.5X3 NITRIL (BLACK) |
| 5 | 242351 | 1 | O-RING D69.5X3.0 VITON F.S-93 VITON (BROWN) |
| 6 | 242221 | 1 | GASKET F. S-93 QUICK COUPLERS |
| 7 | 322105 | 1 | FITT.DK S-93 BULKHEAD DOUBLE |
| 8 | 322109 | 1 | FITT.DK S-93 BULKHEAD NUT |
| 9 | 322165 | 1 | FITT.DK S-93 BULKHEAD SINGLE |
| 10 | 334234 | 1 | FITT.DK S-93 STR.2" RUBBER |
| 11 | 334246 | 1 | FITT.DK S-93 ELB. 2' RUBBER |
| 12 | 334262 | 1 | GASKET F.S-93 BULKHEAD |
| 13 | 334304 | 1 | FITT.DK S-93 STR.1-1/2" PVC |
| 14 | 334426 | 1 | FITT.DK S-93 STR.2" |
| 15 | 334545 | 1 | FITT.DK S-93 TEE |
| 16 | 334601 | 1 | FITTING S93M- S67F |
| 17 | 334634 | 1 | FITT.DK ADAPTER S-93M S67M |
| 18 | 390485 | 1 | FITT.DK S-93 PLUG W D34 HOLE |
| 19 | 390721 | 1 | FITT.DK S-93 PLUG W/2" NPT THRE |
| 20 | 461217 | 1 | NUT HEX M5 LOCK |
| 21 | 726465 | 1 | FITTING S93 BULKHEAD WITH GASKET |
| 22 | 726563 | 1 | FITT.DK S-93 STR 2" W/O-RING |
| 23 | 726564 | 1 | HOSE TAIL 2 1/2" W.O-RING |
| 24 | 726575 | 1 | FITT.DK S-93 ELB. 2" RUBBER |
| 25 | 726576 | 1 | FITT. DK S-93 2 1/2" 90° |
| 26 | 726580 | 1 | FITT. S93 PLUG W/O-RING |
| 27 | 727133 | 1 | FITT. S93 2-1/2" STR. S W/O-RI |
| 28 | 727225 | 1 | FITT.DK S-93 ELB.2'PVC W/ORING |
| 29 | 727226 | 1 | FITT. S93 2-1/2" 90° S W/O-RING |
| 30 | 727227 | 1 | FITT.DK S-93 STR.2" W/ORING |
| 31 | 727235 | 1 | QUICK COUPLER FEMALE W 1-1/2HB |
| 32 | 727236 | 1 | QUICK COUPLER FEMALE W 2" HB |
| 33 | 727237 | 1 | QUICK COUPLER FEMALE W2-1/2" HB |
| 34 | 727339 | 1 | FITT. S93 DRAIN BULKHEAD W/O-R |
| 35 | 727476 | 1 | FITT. DK S-93 2"FM THD W.ORING |
| 36 | 727777 | 1 | QUICK COUPLER S93 DRAIN W/O-RI |
| 37 | 728120 | 1 | QUICK COUPLER CAP F.S93 DRAIN |
| 38 | 728395 | 1 | FITT.DK S-93 ELB.1-1/2" 90 DEG |
| 39 | 728523 | 1 | FITT.DK S-93 STR.1-1/2" |
| 40 | 728525 | 1 | FITT. S93 CONNECTOR W/O-RINGS |
| 41 | 728527 | 1 | ADAPTER S67M TO S93M W/ORING |
| 42 | 728562 | 1 | FITTING S93M-S67F+O-RING |
| 43 | 729828 | 1 | FITT.DK S-93 ELB 2-1/2" RED |
| 44 | 729829 | 1 | FITT.DK S-93 ELB 2 RED |
| 45 | 729830 | 1 | FITT.DK S-93 ELB 1-1/2" 90 RED |
| 46 | 39121700 | 1 | FITT.DK S93 ADAP LG MALE MALE |
| 47 | 72072700 | 1 | FITT.DK S-93 45D 2" PVC |
| 48 | 72072900 | 1 | FITT. S93 2-1/2" 45° S W/O-RING |



| I.D. | PART # (ONE FOOT) | |
|--|--|--|
| 3/8" 1/2" 3/4" 1" 1-1/4" | 92701703 92702103 92703203 92712403 92734403 |  <p>RUBBER HOSE SMOOTH, BLACK, TWO BLUE STRIPES</p> |
| 5/16" 3/8" 1/4" 1/2" 3/4" | 927281 927284 927268 927269 927270 |  <p>PVC HOSE SHINY, BLACK, SMOOTH, TWO WHITE STRIPES</p> |
| 1" 1-1/4" 1-1/2" 2" 2-1/2" | 92702403 92738900 92702603 92702703 92702803 |  <p>PVC SPIRAL SUCTION HOSE SHINY, RIBBED, GRAY</p> |
| 3/4" | 927205 |  <p>PVC HOSE CLEAR, SMOOTH</p> |
| 1/2" 3/4" | 10631003 927231 |  <p>PVC HOSE SMOOTH, CLEAR, REINFORCED WITH WHITE MESH</p> |
| 4mm 6mm 8mm 10mm | 927253 RED 927264 RED 927306 BLACK 927330 BLACK |  <p>PVC AIR HOSE SMOOTH</p> |

L0120



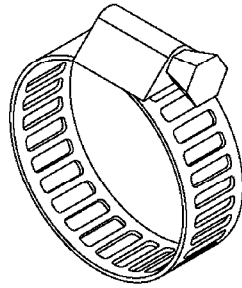
BULK HOSE
L0120-HIN, 01:01:16

Page 1
Date 04.11.2017 13:50

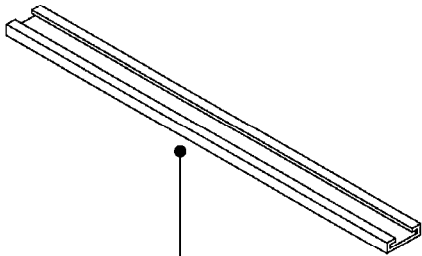
| parts-n° | order qty | description |
|----------|-----------|--------------------------------|
| 927205 | 1 | HOSE R X CLEAR X 3/4 X 0012" |
| 927231 | 1 | HOSE R X PVCX3/4 CLR/BRD 0012" |
| 927253 | 1 | AIR HOSE, DIAMETER 4MM |
| 927264 | 1 | HOSE R X PE D6/D4 X 0012" |
| 927268 | 1 | HOSE R X PVC X 1/4 X 0012" |
| 927269 | 1 | HOSE R X PVC X 1/2 X 0012" |
| 927270 | 1 | HOSE R X PVC X 3/4 X 0012" |
| 927281 | 1 | HOSE R X PVC X 5/16 X 0012" |
| 927284 | 1 | HOSE 3/8 PVC W/ INSERT |
| 927306 | 1 | HOSE R X PE D8/D6 X 0012"BLACK |
| 927330 | 1 | HOSE R X PE D10/D8 X 012"BLACK |
| 10631003 | 1 | HOSE R X CLEAR BRAID.X 1/2 12" |
| 92701703 | 1 | HOSE R X3/8" X300PSI WP X0012" |
| 92702103 | 1 | HOSE R X1/2" X300PSI WP X0012" |
| 92702403 | 1 | HOSE PVC SUCT GRAY 1" |
| 92702603 | 1 | HOSE PVC SUCT GRAY 1-1/2" |
| 92702703 | 1 | HOSE PVC SUCT GRAY 2" |
| 92702803 | 1 | HOSE PVC SUCT GRAY 2.5" |
| 92703203 | 1 | HOSE R X3/4" X300PSI WP X0012" |
| 92712403 | 1 | HOSE R X1" X300PSI WP X0012" |
| 92734403 | 1 | HOSE R X5/4" X200PSI WP X0012" |
| 92738900 | 1 | HOSE R X PVC X 1-1/4" 0012" |



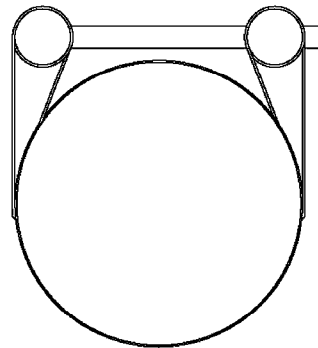
| Hose Size | Pressure | Suction | Clamp Code |
|-----------|----------|----------|------------|
| 3/8" | 28029803 | | 6706 |
| 1/2" | 28029803 | | 6706 |
| 3/4" | 28029903 | | 6712 |
| 1" | 28030003 | 28029903 | 6716 |
| 1-1/4" | 28030103 | | 6724 |
| 1-1/2" | | 28030103 | 6724 |
| 2" | | 28030203 | 235-67 |
| 2-1/2" | | 28030303 | 235-74 |
| 3" | | 28030403 | 235-82 |



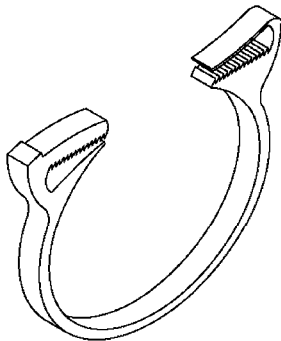
1-1/2" OR SMALLER CLAMPS



- 341291 - 130MM
- 341292 - 180MM
- 341301 - 230MM



2" OR LARGER CLAMPS



- 5/16" - 334686
- 3/8" - 334533
- 1/2" - 334534
- 3/4" - 334531
- 1" - 334680

L0130



HOSE CLAMPS
L0130-HIN, 01:01:16

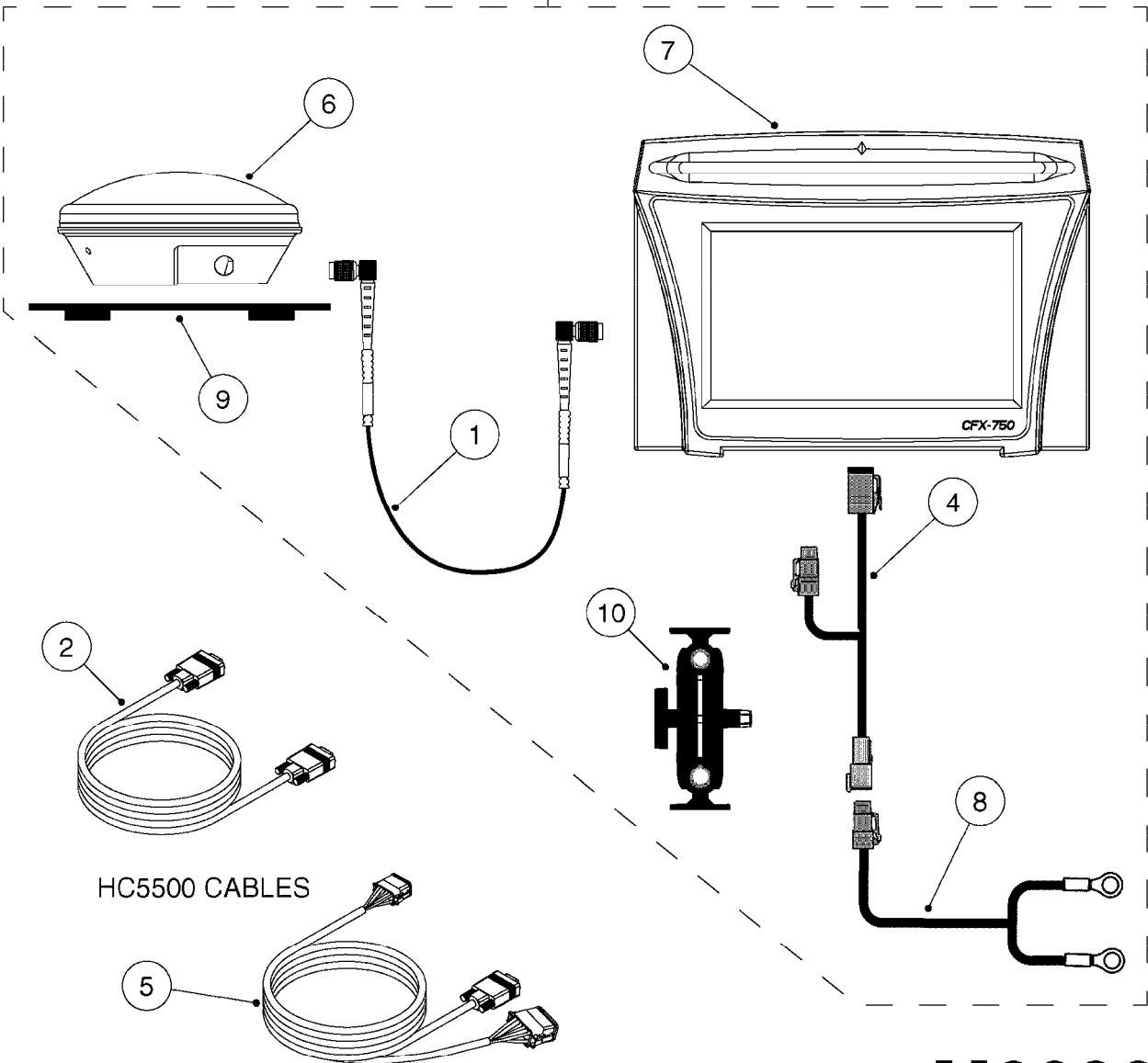
Page 1

Date 04.11.2017 13:50

| parts-n° | order qty | description |
|----------|-----------|--------------------------------|
| 334531 | 1 | CLAMP HOSE PLASTIC 3/4" |
| 334533 | 1 | CLAMP HOSE PLASTIC 3/8" |
| 334534 | 1 | CLAMP HOSE PLASTIC 1/2" |
| 334680 | 1 | CLAMP HOSE PLASTIC 1" |
| 334686 | 1 | CLAMP HOSE PLASTIC 5/16" |
| 341291 | 1 | RUBBER HOSE CLAMP COVER 130MM |
| 341292 | 1 | RUBBER HOSE CLAMP COVER 180MM |
| 341301 | 1 | RUBBER HOSE CLAMP COVER 230MM |
| 28029803 | 1 | CLAMP HOSE GEAR P1/2" 6708 |
| 28029903 | 1 | CLAMP HOSE GEAR P3/4"-S1" 6712 |
| 28030003 | 1 | CLAMP HOSE GEAR P1" 6716 |
| 28030103 | 1 | CLAMP HOSE GEAR P5/4-S1.5"6724 |
| 28030203 | 1 | CLAMP HOSE T-BOLT S2" 235-67 |
| 28030303 | 1 | CLAMP HOSE T-BOLT S2.5" 235-76 |
| 28030403 | 1 | CLAMP HOSE T-BOLT S3" 235-82 |



3 COMPLETE ASSEMBLY



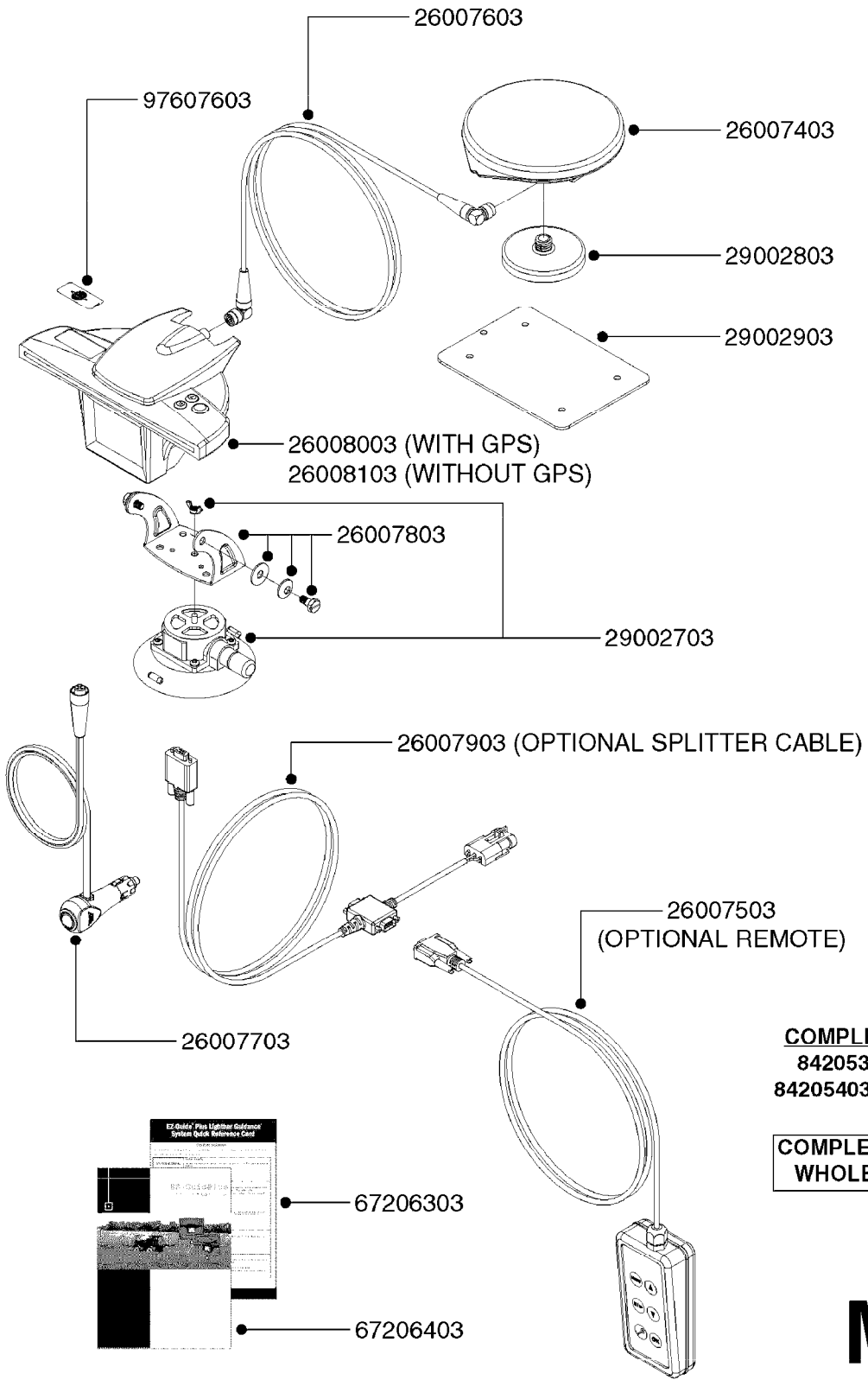
M0030



CFX-750 DISPLAY, DGPS
M0030-HIN, 01:01:16

Page 1
Date 04.11.2017 13:50

| Pos. | parts-n° | order qty | description |
|------|----------|-----------|--------------------------------|
| 1 | 26007603 | 1 | CABLE, ANTENNA, EZGUIDEPLUS |
| 2 | 26012003 | 1 | NULL MODEM CABLE |
| 3 | 26021403 | 1 | CFX-750 DISPLAY, DGPS |
| 4 | 26021603 | 1 | CABLE, POWER BUS, CAN CFX-750 |
| 5 | 26021703 | 1 | CABLE, ASC INTERFACE, CFX-750 |
| 6 | 26021803 | 1 | AG-25 ANTENNA L1/L2 GLN |
| 7 | 26022103 | 1 | CFX-750 DISPLAY ONLY |
| 8 | 26022603 | 1 | CFX-750 Basic Power Cable |
| 9 | 28048203 | 1 | EZ-GUIDE 500 MOUNT F.AG15 ANT. |
| 10 | 28048303 | 1 | EZ-GUIDE 250/500 RAM MNT.1.5" |



COMPLETE ASSEMBLY:
84205303 (WITH GPS)
84205403 (WITHOUT GPS)

**COMPLETE ASSEMBLIES
WHOLEGOODS ITEMS**

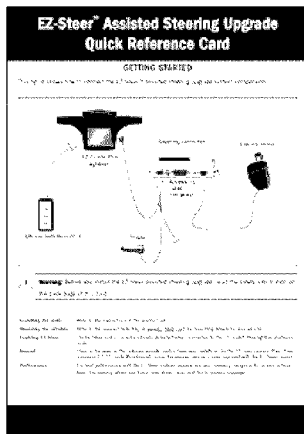
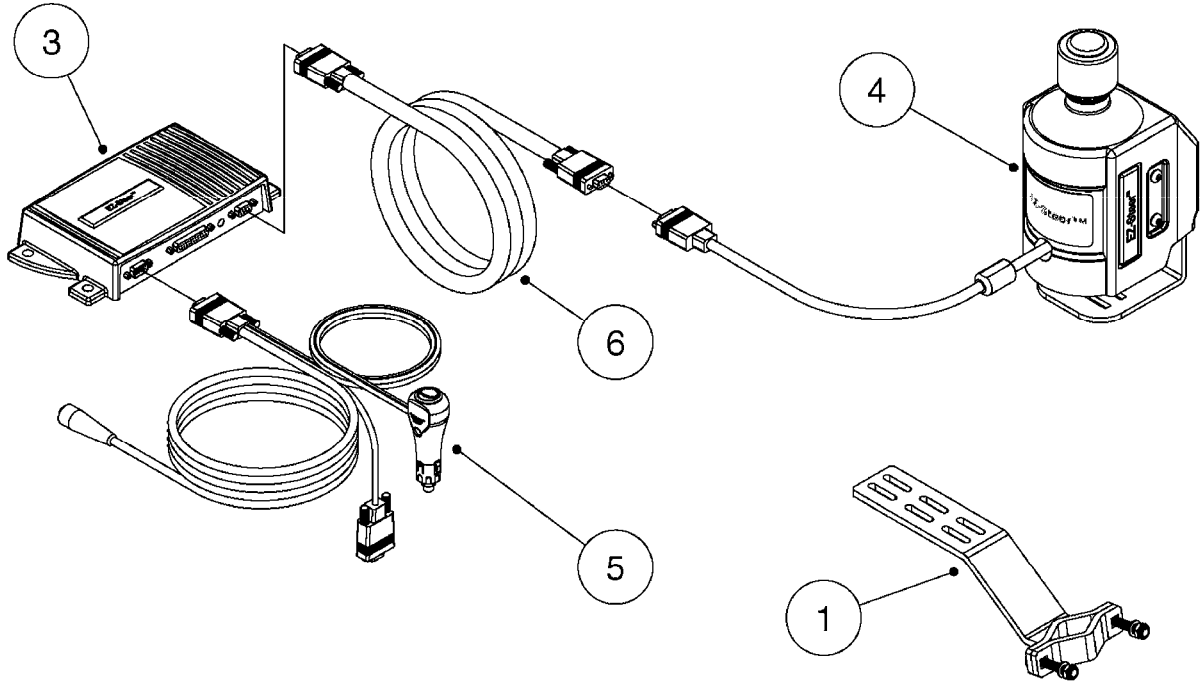
M0040



EZ-GUIDE PLUS LIGHT BAR
M0040-HIN, 01:01:16

Page 1
Date 04.11.2017 13:50

| parts-n° | order qty | description |
|----------|-----------|--------------------------------|
| 26007403 | 1 | ANTENNA,HURRICANE F. EZGUIDEPL |
| 26007503 | 1 | REMOTE KEYPAD EZ-GUIDE PLUS |
| 26007603 | 1 | CABLE, ANTENNA, EZGUIDEPLUS |
| 26007703 | 1 | CABLE, POWER F. EZGUIDEPLUS |
| 26007803 | 1 | BRACKET KIT F. EZGUIDEPLUS |
| 26007903 | 1 | EZ-Guide 500 External Interfac |
| 26008003 | 1 | LIGHT BAR ASSM WITH GPS |
| 26008103 | 1 | LIGHT BAR ASSM WITHOUT GPS |
| 29002703 | 1 | VACUUM CUP 4 1/2" 1420I |
| 29002803 | 1 | MOUNT, MAG F. ANTENNA |
| 29002903 | 1 | PLATE, F. ANTENNA MOUNT |
| 67206303 | 1 | QUICK REFERENCE CARD EZ-GUIDE+ |
| 67206403 | 1 | MANUAL EZ GUIDE PLUS |
| 84205303 | 1 | EZ GUIDE PLUS W GPS, NO LABLE |
| 84205403 | 1 | EZ GUIDE PLUS W/O GPS,NO LABLE |
| 97607603 | 1 | DECAL COMPANY 45MM X 20MM |



COMPLETE ASSEMBLY 8

COMPLETE ASSEMBLIES
WHOLEGOODS ITEMS

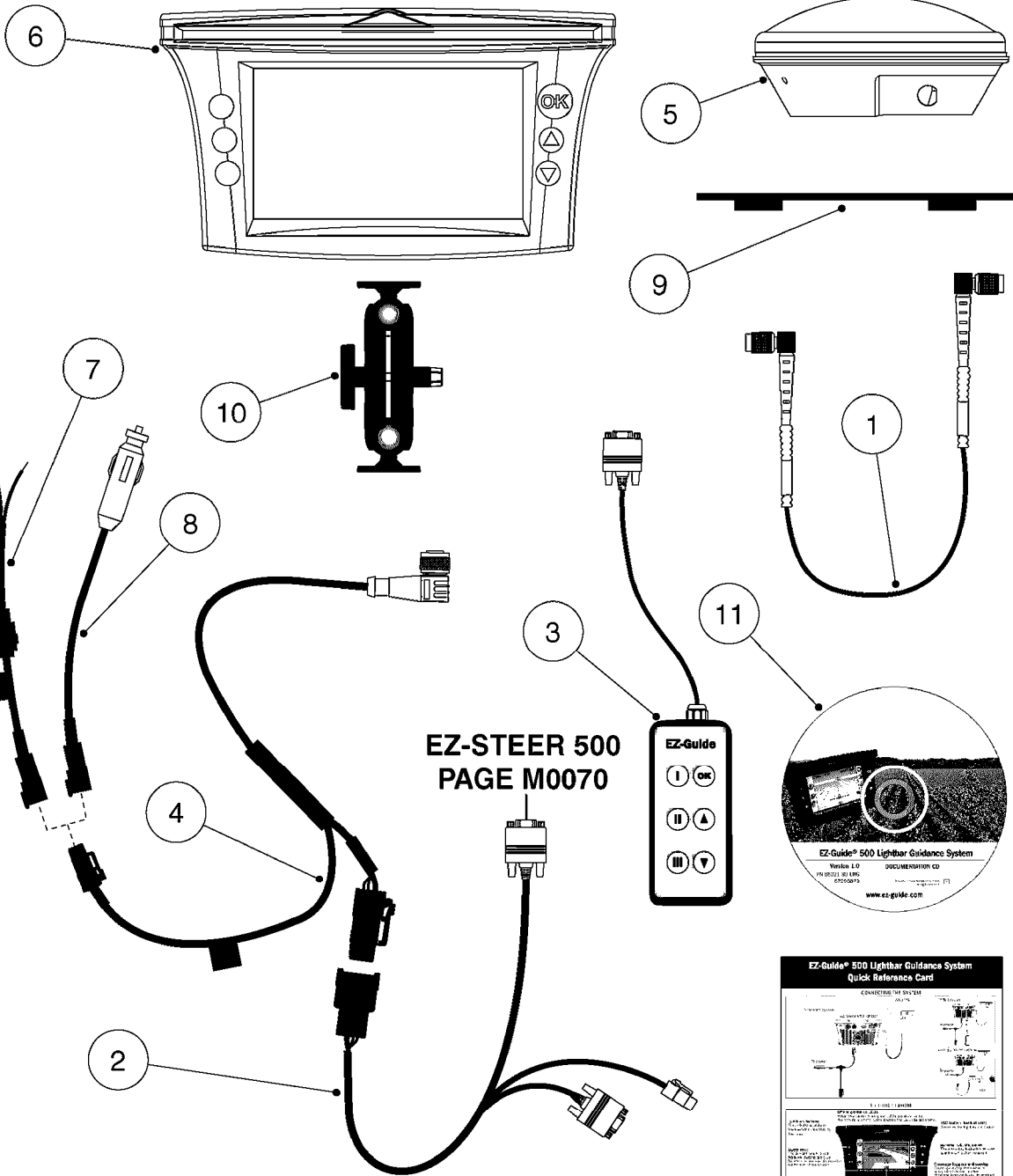
M0050



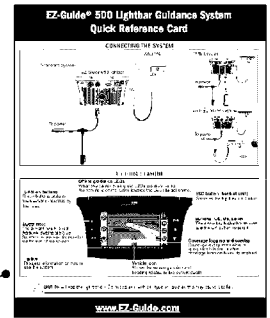
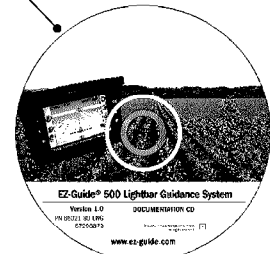
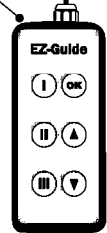
EZ-STEER STEERING SYSTEM
M0050-HIN, 01:01:16

Page 1
Date 04.11.2017 13:50

| Pos. | parts-n° | order qty | description |
|------|----------|-----------|--------------------------------|
| 1 | 26008803 | 1 | EZ-STR.BKT-JD 4000,8000 4WD |
| 1 | 26008903 | 1 | EZ-STR.BKT-JD80002WD,7X20,9000 |
| 1 | 26009003 | 1 | EZ-STR.BKT-CASE IH 7100/7200 |
| 1 | 26009103 | 1 | EZ-STR.BKT-JD COMBINE&ROGATOR |
| 1 | 26009203 | 1 | EZ-STR.BKT-JD 6000,7000 |
| 1 | 26009303 | 1 | EZ-STR.BKT-BUHLER,NH VERSATILE |
| 1 | 26009403 | 1 | EZ-STR.BKT-STEIGER,NH VERSATIL |
| 1 | 26009503 | 1 | EZ-STR.BKT-INTERNATIONAL TRUCK |
| 1 | 26009603 | 1 | EZ-STR.BKT-AGCHEM TERRAGATOR |
| 1 | 26009703 | 1 | EZ-STR.BKT-CASE IH MXM |
| 1 | 28036903 | 1 | EZ-STR.BKT-CASE IH COMB.1600 |
| 1 | 28037003 | 1 | EZ-STR.BKT-JD 89XX,71XX,72XX |
| 1 | 28037103 | 1 | EZ-STR.BKT-JD 8000/9000 |
| 1 | 28037203 | 1 | EZ-STR.T2 TERRAIN COMP.UPDATE |
| 1 | 28037303 | 1 | EZ-STR.BKT-SPR.COUPE 3000/4000 |
| 1 | 28038203 | 1 | EZ-STR.BKT-FENDT 924 |
| 1 | 28046503 | 1 | EZ-STR.BKT-AGCO DT/RT,MF64/74 |
| 1 | 28047803 | 1 | EZ-STR.BKT.-NH TVT,CASE IH CVX |
| 1 | 28050203 | 1 | EZ-STR.BKT-CASE JX(U),NH TL(A) |
| 1 | 28055203 | 1 | EZ-STR.BKT-CASE MXM/N.HOLLAND |
| 1 | 28055903 | 1 | EZ-STR.BKT-WILMAR EAGLE |
| 2 | 26009803 | 1 | EZ-STEER FOAM WHEELS 4-PK |
| 3 | 26009903 | 1 | EZ-STEER CONTROLLER |
| 4 | 26010003 | 1 | EZ-STEER MOTOR KIT |
| 5 | 26010103 | 1 | EZ-STEER POWER CABLE |
| 6 | 26010203 | 1 | EZ-STEER MOTOR CABLE 3M |
| 7 | 67210803 | 1 | QUICK REFERENCE CARD EZ-STEER |
| 8 | 84205503 | 1 | EZ-STEER SYSTEM COMPLETE |



**EZ-STEER 500
PAGE M0070**



COMPLETE ASSEMBLY — 13

**COMPLETE ASSEMBLIES
WHOLEGOODS ITEMS**

M0060

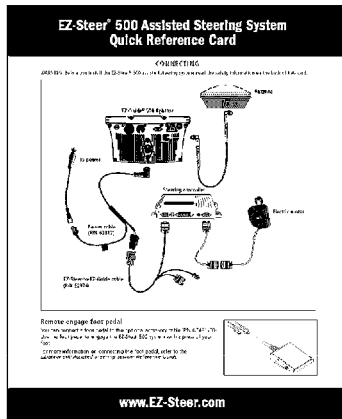
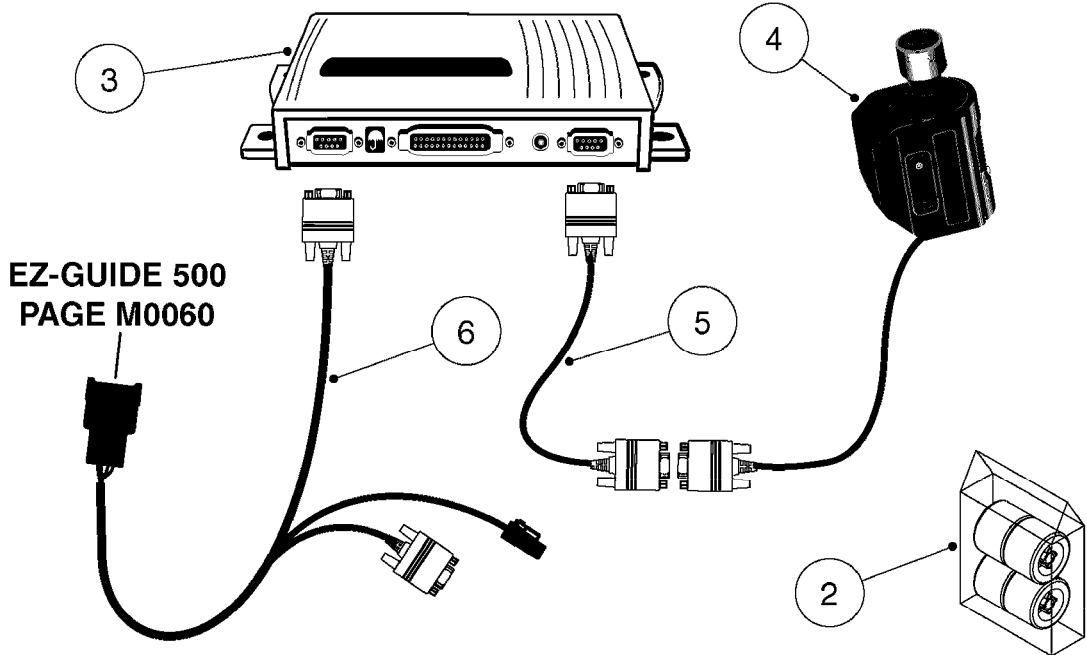


EZ-GUIDE 500 LIGHTBAR
M0060-HIN, 01:01:16

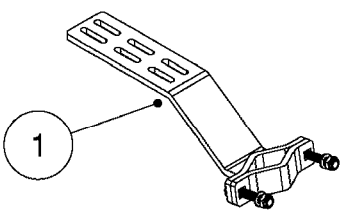
Page 1

Date 04.11.2017 13:50

| Pos. | parts-n° | order qty | description |
|------|----------|-----------|--------------------------------|
| 1 | 26007603 | 1 | CABLE, ANTENNA, EZGUIDEPLUS |
| 2 | 26012203 | 1 | EZ-STEER/GUIDE 500 ADAPT.CABLE |
| 3 | 26015303 | 1 | REMOTE KEYPAD EZGUIDE 500/250 |
| 3 | 28048403 | 1 | DECAL - REMOTE OVERLAY 500/250 |
| 4 | 26015403 | 1 | EZ-GUIDE 500 CABLE POWER/CAN90 |
| 5 | 26015503 | 1 | EZ-GUIDE 500 Z PLUS ANTENNA |
| 5 | 26015603 | 1 | ANTENNA AG15 L1,EZ GDE 500/250 |
| 6 | 26015703 | 1 | EZ-GUIDE 500 DGPS DISPLAY |
| 6 | 26015803 | 1 | EZ-GUIDE 500 OMNISTAR DISPLAY |
| 7 | 26016103 | 1 | EZ-GUIDE 500 CABLE UNTERM.FUSE |
| 8 | 26016203 | 1 | EZ-GUIDE 500 POWER CONN.CABLE |
| 9 | 28048203 | 1 | EZ-GUIDE 500 MOUNT F.AG15 ANT. |
| 10 | 28048303 | 1 | EZ-GUIDE 250/500 RAM MNT.1.5" |
| 11 | 29003803 | 1 | EZ-GUIDE 500 CD,GET.STARTED V1 |
| 12 | 67215403 | 1 | EZ-GUIDE 500 QUICK REF.CARD V1 |
| 13 | 84208303 | 1 | EZ GUIDE 500 LIGHTBAR (DGPS) |
| 13 | 84208403 | 1 | EZ GUIDE 500 LIGHTBAR (XP/HP) |
| 13 | 84208503 | 1 | EZ GUIDE 500 LIGHTBAR (RTK) |

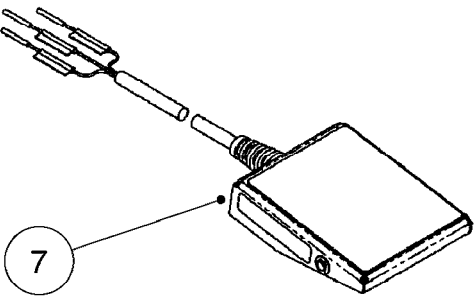


8



COMPLETE ASSEMBLY 9

COMPLETE ASSEMBLIES
WHOLEGOODS ITEMS



M0070

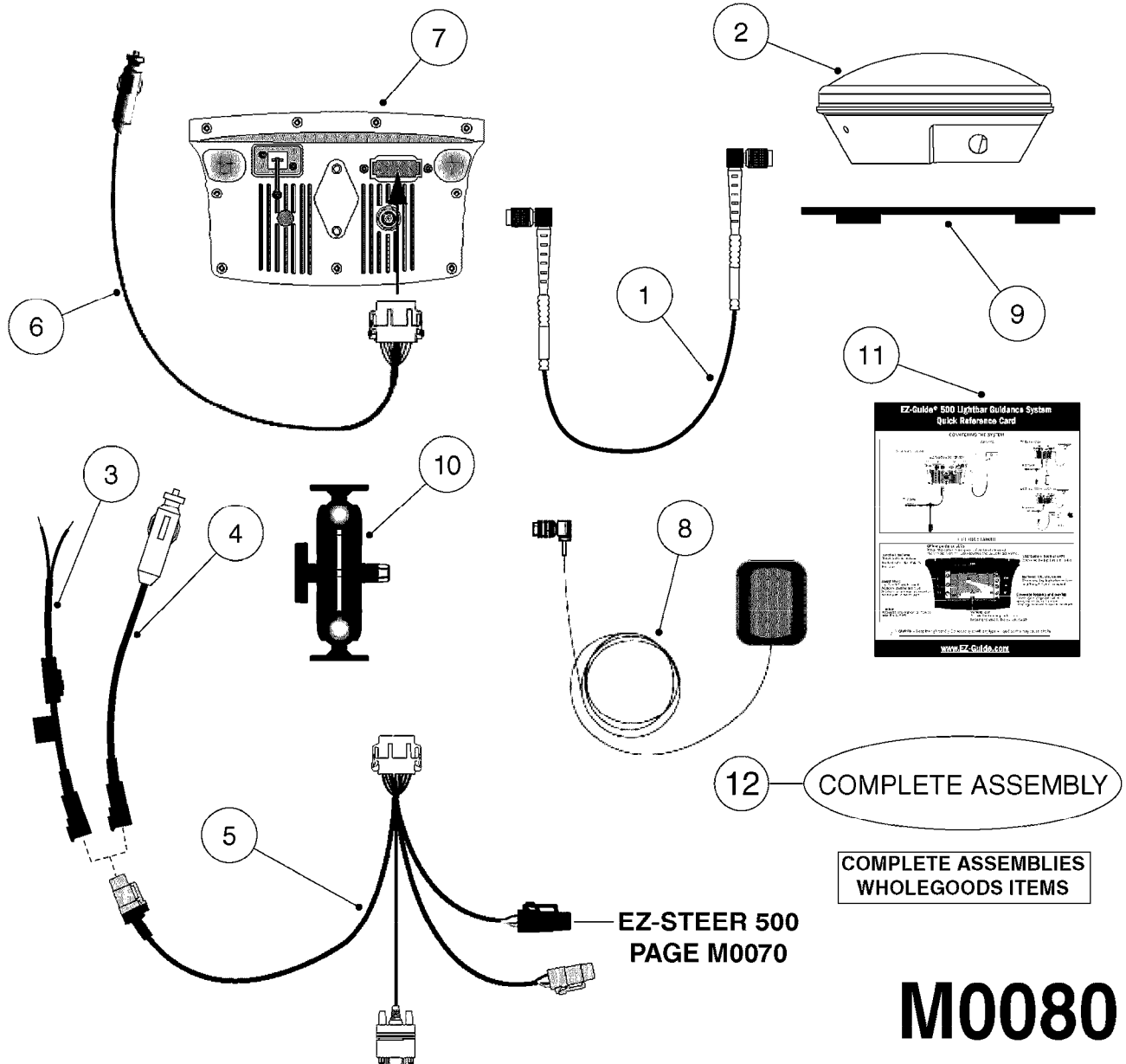


EZ-STEER 500 STEERING SYSTEM
M0070-HIN, 01:01:16

Page 1

Date 04.11.2017 13:50

| Pos. | parts-n° | order qty | description |
|------|----------|-----------|---------------------------------|
| 1 | 26008803 | 1 | EZ-STR.BKT-JD 4000,8000 4WD |
| 1 | 26008903 | 1 | EZ-STR.BKT-JD80002WD,7X20,9000 |
| 1 | 26009003 | 1 | EZ-STR.BKT-CASE IH 7100/7200 |
| 1 | 26009103 | 1 | EZ-STR.BKT-JD COMBINE&ROGATOR |
| 1 | 26009203 | 1 | EZ-STR.BKT-JD 6000,7000 |
| 1 | 26009303 | 1 | EZ-STR.BKT-BUHLER,NH VERSATILE |
| 1 | 26009403 | 1 | EZ-STR.BKT-STEIGER,NH VERSATIL |
| 1 | 26009503 | 1 | EZ-STR.BKT-INTERNATIONAL TRUCK |
| 1 | 26009603 | 1 | EZ-STR.BKT-AGCHEM TERRAGATOR |
| 1 | 26009703 | 1 | EZ-STR.BKT-CASE IH MXM |
| 1 | 28036903 | 1 | EZ-STR.BKT-CASE IH COMB.1600 |
| 1 | 28037003 | 1 | EZ-STR.BKT-JD 89XX,71XX,72XX |
| 1 | 28037103 | 1 | EZ-STR.BKT-JD 8000/9000 |
| 1 | 28037203 | 1 | EZ-STR.T2 TERRAIN COMP.UPDATE |
| 1 | 28037303 | 1 | EZ-STR.BKT-SPR.COUPPE 3000/4000 |
| 1 | 28038203 | 1 | EZ-STR.BKT-FENDT 924 |
| 1 | 28046503 | 1 | EZ-STR.BKT-AGCO DT/RT,MF64/74 |
| 1 | 28047803 | 1 | EZ-STR.BKT.-NH TVT,CASE IH CVX |
| 1 | 28050203 | 1 | EZ-STR.BKT-CASE JX(U),NH TL(A) |
| 1 | 28055203 | 1 | EZ-STR.BKT-CASE MXM/N.HOLLAND |
| 1 | 28055903 | 1 | EZ-STR.BKT-WILMAR EAGLE |
| 2 | 26009803 | 1 | EZ-STEER FOAM WHEELS 4-PK |
| 3 | 26009903 | 1 | EZ-STEER CONTROLLER |
| 4 | 26010003 | 1 | EZ-STEER MOTOR KIT |
| 5 | 26010203 | 1 | EZ-STEER MOTOR CABLE 3M |
| 6 | 26012203 | 1 | EZ-STEER/GUIDE 500 ADAPT.CABLE |
| 7 | 26012503 | 1 | EZ-STR.FOOT SWITCH & ACC.CABLE |
| 8 | 67214803 | 1 | EZ-STR.REF.GUIDE V3 SPARE |
| 8 | 67214903 | 1 | EZ-STEER QUICK REF.CARD V3 |
| 8 | 67215203 | 1 | EZ-STEER 500 QUICK REF.CARD V1 |
| 8 | 67215303 | 1 | MANUAL EZ-STEER 500 REF V1 |
| 9 | 84208603 | 1 | EZ-STEER 500/250 SYS. COMPLETE |



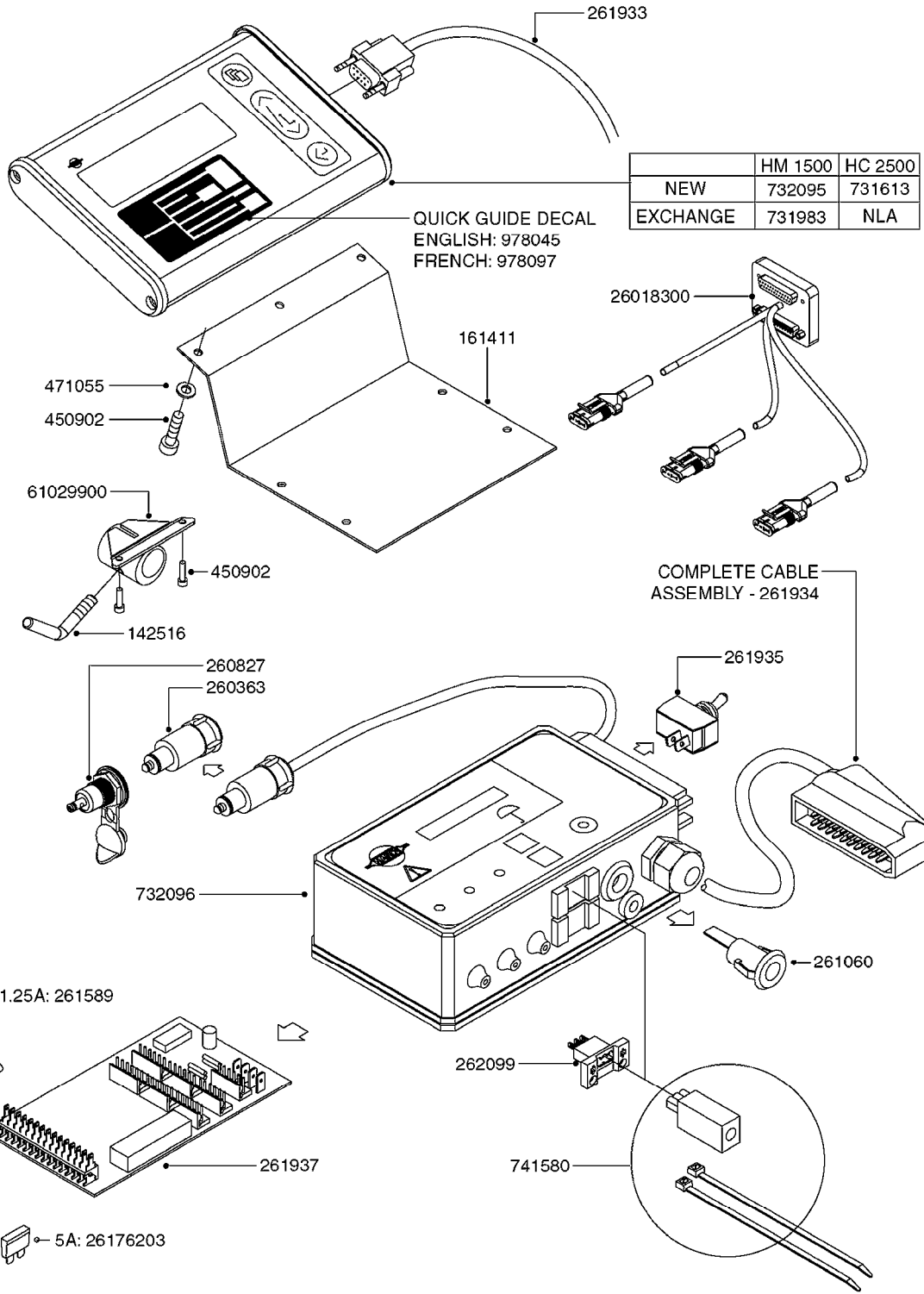


EZ-GUIDE 250 LIGHTBAR
M0080-HIN, 01:01:16

Page 1

Date 04.11.2017 13:50

| Pos. | parts-n° | order qty | description |
|------|----------|-----------|--------------------------------|
| 1 | 26007603 | 1 | CABLE, ANTENNA, EZGUIDEPLUS |
| 2 | 26015603 | 1 | ANTENNA AG15 L1,EZ GDE 500/250 |
| 3 | 26016103 | 1 | EZ-GUIDE 500 CABLE UNTERM.FUSE |
| 4 | 26016203 | 1 | EZ-GUIDE 500 POWER CONN.CABLE |
| 5 | 26017303 | 1 | EZ-GUIDE 250 ALL PORT CABLE |
| 6 | 26017703 | 1 | EZ-GUIDE 250 POWER CABLE |
| 7 | 26017803 | 1 | EZ-GUIDE 250 LIGHTBAR DISPLAY |
| 8 | 26017903 | 1 | EZ-GUIDE 250 PATCH ANTENNA |
| 9 | 28048203 | 1 | EZ-GUIDE 500 MOUNT F.AG15 ANT. |
| 10 | 28048303 | 1 | EZ-GUIDE 250/500 RAM MNT.1.5" |
| 11 | 67217403 | 1 | EZ-GUIDE 250 QUICK REF.CARD |
| 12 | 84210603 | 1 | EZ GUIDE 250 LIGHTBAR |



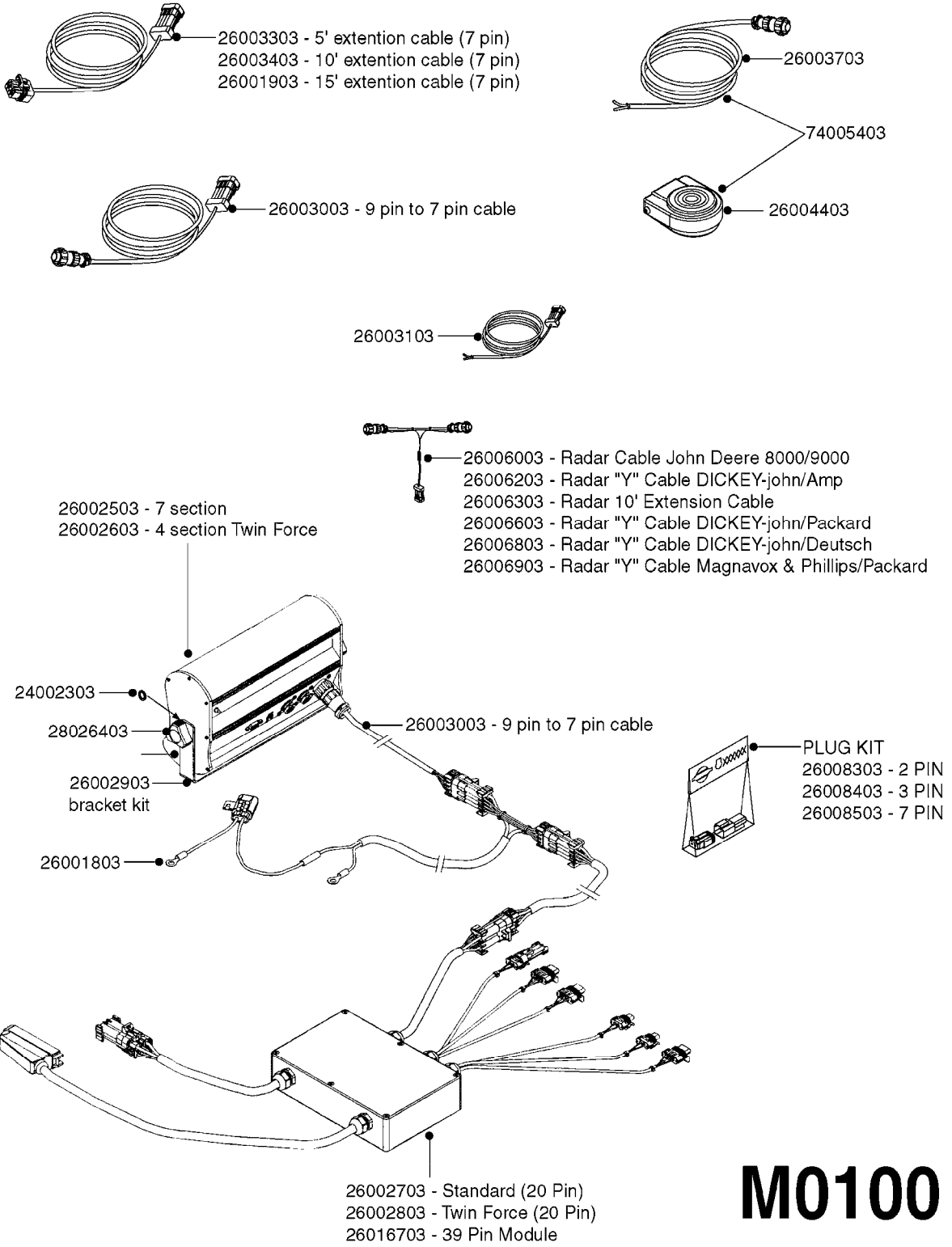
M0090



HC 2500/HM1500 DISPLAY/SCANBOX
M0090-HIN, 01:01:16

Page 1
Date 04.11.2017 13:50

| parts-n° | order qty | description |
|----------|-----------|---|
| 142516 | 1 | SCREW SET M10 BENT F. LOCKING |
| 161411 | 1 | MT.BRK. HC2500/HM1500 DISPLAY |
| 26018300 | 1 | ADAPTOR 2500 FOR SPRAYBOX II 39-PIN/REPLACES SCANBOX |
| 260363 | 1 | PLUG 2 POLE 12V |
| 260827 | 1 | PLUG F.EC ATTACHMENTS |
| 261060 | 1 | PLUG F.EC ATTACHMENTS |
| 261589 | 1 | FUSE 5 X 20 1.25 AMP |
| 26176203 | 1 | FUSE 5.0A QUICK-ACT. |
| 261933 | 1 | CABLE W/PLUG 2X25 L=71" |
| 261934 | 1 | CABLE W/PLUG 18X0.5MM L=79" |
| 261935 | 1 | SWITCH 2 POLE |
| 261937 | 1 | CIRCUIT BOARD F. SCANBOX |
| 262099 | 1 | PLUG SOCKET 3-POLE 2.5/3 |
| 450902 | 1 | BOLT ALLEN HEAD M4 X 16MM |
| 471055 | 1 | WASHER D4.1/7.6 X 0.9 |
| 61029900 | 1 | BRACKET FOR HC2500 |
| 731613 | 1 | DISPLAY HC2500 NEW |
| 731983 | 1 | DISPLAY HM1500 REFURBISHED |
| 732095 | 1 | DISPLAY HM1500 NEW |
| 732096 | 1 | SCANBOX F.HM1500/HC2500 |
| 741580 | 1 | PLUG 3-POLE 2.5/3 |
| 978045 | 1 | DECAL QUICK GUIDE 1500/2500 |
| 978097 | 1 | DECAL QUICK GUIDE 1500/2500 FR |



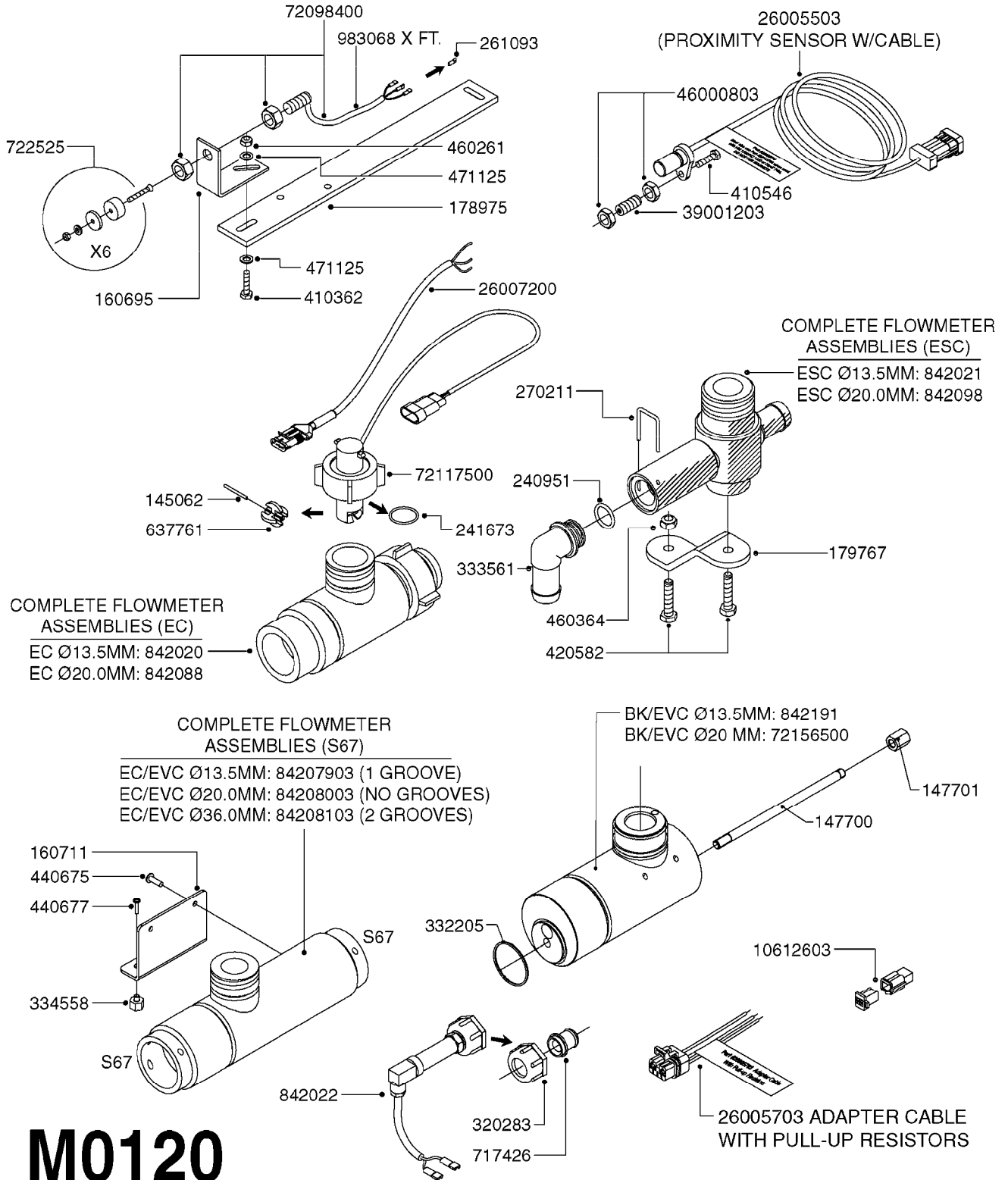
M0100



MUSTANG 3500 CONTROLLER
M0100-HIN, 01:01:16

Page 1
Date 04.11.2017 13:50

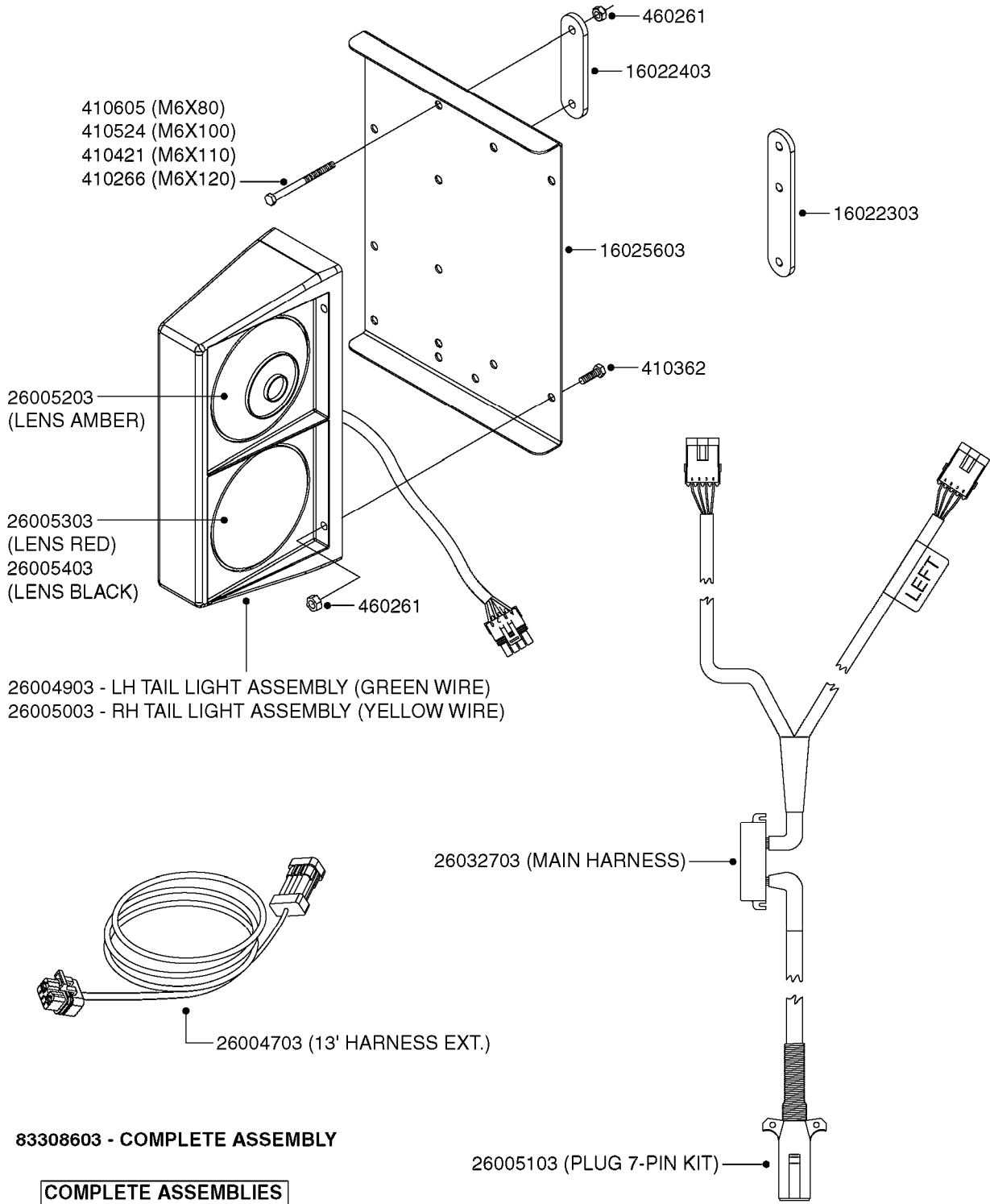
| parts-n° | order qty | description |
|----------|-----------|--------------------------------|
| 24002303 | 1 | WASHER, RUBBER |
| 26001803 | 1 | POWER CABLE |
| 26001903 | 1 | 15' 7-PIN EXTENSION CABLE |
| 26002503 | 1 | MUSTANG 3500/7 CONSOLE |
| 26002603 | 1 | MUSTANG 3500/4/TF CONSOLE |
| 26002703 | 1 | MUSTANG 3500/20PIN SC MODULE |
| 26002803 | 1 | MUSTANG 3500/20PIN TF SC MODUL |
| 26002903 | 1 | MUSTANG 3500 CONSOLE MNT KIT |
| 26003003 | 1 | MUSTANG 3500 CONSOLE CABLE |
| 26003103 | 1 | MUSTANG 3500/7 SC MOD CNECT KT |
| 26003303 | 1 | MUSTANG/FM 5FT 7PIN EXT CABLE |
| 26003403 | 1 | MUSTANG/FM 10FT 7PIN EXT CABLE |
| 26003703 | 1 | MUSTANG RUN/HOLD ADAPT CABLE |
| 26004403 | 1 | SWITCH, FOOT |
| 26006003 | 1 | MUSTANG RADR CBLE JD 8000/9000 |
| 26006203 | 1 | MUSTANG RDR "Y" CABLE DCKY-JHN |
| 26006303 | 1 | MUSTANG RDR EXTNSN CABLE 10FT |
| 26006603 | 1 | MUSTANG RDR"Y"CABLE D-J PACKRD |
| 26006803 | 1 | MUSTANG RDR"Y"CABLE D-J DEUTS. |
| 26006903 | 1 | MUSTANG RDR"Y"CABLE MAG.PHILIP |
| 26008303 | 1 | MICRO TRAK PLUG KIT - 2 PIN |
| 26008403 | 1 | MICRO TRAK PLUG KIT - 3 PIN |
| 26008503 | 1 | MICRO TRAK PLUG KIT - 7 PIN |
| 26016703 | 1 | MUSTANG 3500/39PIN SC MODULE |
| 28026403 | 1 | KNOB, MUSTANG CONSOLE MOUNT |
| 74005403 | 1 | FOOT SWITCH FOR MUSTANG 3500 |



M0120



| parts-n° | order qty | description |
|----------|-----------|-----------------------------------|
| 145062 | 1 | ROTOR SHAFT |
| 147700 | 1 | STUD BOLT M8 X 158MM |
| 147701 | 1 | NUT HEX M8 STAINLESS L=16 |
| 160695 | 1 | BRACKET F.SENSOR |
| 160711 | 1 | BRACKET FOR FLOW METER |
| 178975 | 1 | MOUNT BRACKET F. SPEED SENSOR |
| 179767 | 1 | FLOW SENSOR MOUNTING BRACKET |
| 240951 | 1 | O-RING D21.2X3 NITRIL |
| 241673 | 1 | O-RING D22.1X1.6 |
| 261093 | 1 | SPADE F.ELEC.WIRE DK 2.8X0.8 |
| 270211 | 1 | FITT.DK S25 FORK L=37.5 |
| 320283 | 1 | FITT.DK NUT 3/4"BSP |
| 332205 | 1 | O-RING D43/39XD2 |
| 333561 | 1 | FITT.DK ELB.1" EC RETURN |
| 334558 | 1 | NUT HEX PLASTIC INSERT |
| 410362 | 1 | BOLT HEX 8.8 SS M6X20 |
| 410546 | 1 | SCREW HEX M6X12 A2 SS DIN933 |
| 420582 | 1 | BOLT HEX 8.8 DEL M8X20 FT A2 |
| 440675 | 1 | SCREW F. PLASTIC 5X16 SS |
| 440677 | 1 | SCREW F. PLASTIC 5X20 SS |
| 460261 | 1 | NUT HEX M6X1.00 LOCK DIN985 A2 SS |
| 460364 | 1 | NUT HU M8 A2 SS DIN934 |
| 471125 | 1 | WASHER M6U 6.4X14X1.2,A2 SS |
| 637761 | 1 | ROTOR F.FLOWMETER - PILOT |
| 717426 | 1 | FITT.DK REDUC 1/4"BSP F.3/4"N |
| 722525 | 1 | MONITOR MAGNETS SET OF 8PCS |
| 842020 | 1 | HP FLOW METER EC 2-30 GPM |
| 842021 | 1 | HP FLOW METER ESC 2-30 GPM |
| 842022 | 1 | HP PRESS. TRANSDUCER 0-150 PSI |
| 842088 | 1 | HP FLOW METER EC 4-70 GPM |
| 842098 | 1 | HP FLOW METER ESC 4-70 GPM |
| 842191 | 1 | HP FLOW METER BK/EVC 2-30 GPM |
| 983068 | 1 | ELEC. CABLE 3 WIRE X .25MM HP |
| 10612603 | 1 | KIT PLUG 6 PIN F.PILOT MONITOR |
| 26005503 | 1 | SPEED SENSOR/CABLE ASSY PROX |
| 26005703 | 1 | *SPEED SENS ADPT CBLE W PULLUP |
| 26007200 | 1 | CABLE L =13.00M, AMP, MALE, 3P |
| 39001203 | 1 | THREAD PLST 1/2-13UNCXM6X1L=1" |
| 46000803 | 1 | NUT, 1/2-13 THIN |
| 72098400 | 1 | SPEED SENSOR W/CABLE 10000MM |
| 72117500 | 1 | FLOW SENSOR - M.AMP L=1M |
| 72156500 | 1 | HP FLOW METER PIN 4-70 GPM 20Ø |
| 84207903 | 1 | FLOW METER,2-30 GPM,S67,CAL |
| 84208003 | 1 | FLOW METER,4-70 GPM,S67,CAL |
| 84208103 | 1 | FLOW METER,20-160 GPM,S67,CAL |



83308603 - COMPLETE ASSEMBLY

COMPLETE ASSEMBLIES
WHOLEGOODS ITEMS

M0160



TRAFFIC LIGHT KIT
M0160-HIN, 17:08:17

Page 1

Date 04.11.2017 13:50

| parts-n° | order qty | description |
|----------|-----------|------------------------------------|
| 410266 | 1 | BOLT HEX 8.8 DEL M6X120 |
| 410362 | 1 | BOLT HEX 8.8 SS M6X20 |
| 410421 | 1 | BOLT HEX M6X110 DIN931-A2 SS |
| 410524 | 1 | BOLT HEX 8.8 DEL M6X100 |
| 410605 | 1 | BOLT HEX 8.8 DEL M6X80 |
| 460261 | 1 | NUT HEX M6X1.00 LOCK DIN985 A2 SS |
| 16022303 | 1 | BRACKET 100MM TUBE |
| 16022403 | 1 | BRACKET 60MM TUBE |
| 16025603 | 1 | BRACKET TAIL LIGHT DUAL LAMP |
| 26004703 | 1 | HARNESS 13' EXT 4 WIRE WP |
| 26004903 | 1 | TAIL LIGHT GREEN WIRE LH |
| 26005003 | 1 | TAIL LIGHT YELLOW WIRE RH |
| 26005103 | 1 | PLUG 7-PIN AG TAIL LIGHT |
| 26005203 | 1 | LENS AMBER BEFORE 2009 |
| 26005303 | 1 | LENS RED BEFORE 2009 |
| 26005403 | 1 | LENS BLACK BEFORE 2009 |
| 26032703 | 1 | HARNESS COMPLETE, TAIL LIGHT, 2013 |
| 83308603 | 1 | TRAFFIC LIGHT KIT |