



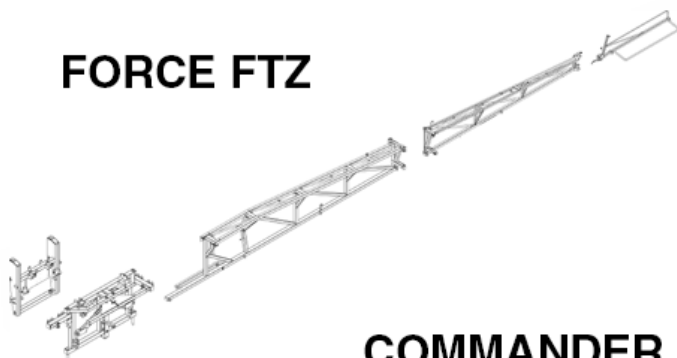
Agroparts: [www.HARDI-INTERNATIONAL.com](http://www.HARDI-INTERNATIONAL.com)

Commander 4500/5500/7000  
FORCE FTZ

Country-Code 11

Date 12.08.2020 9:03

**FORCE FTZ**



**COMMANDER  
4500/5500/7000**





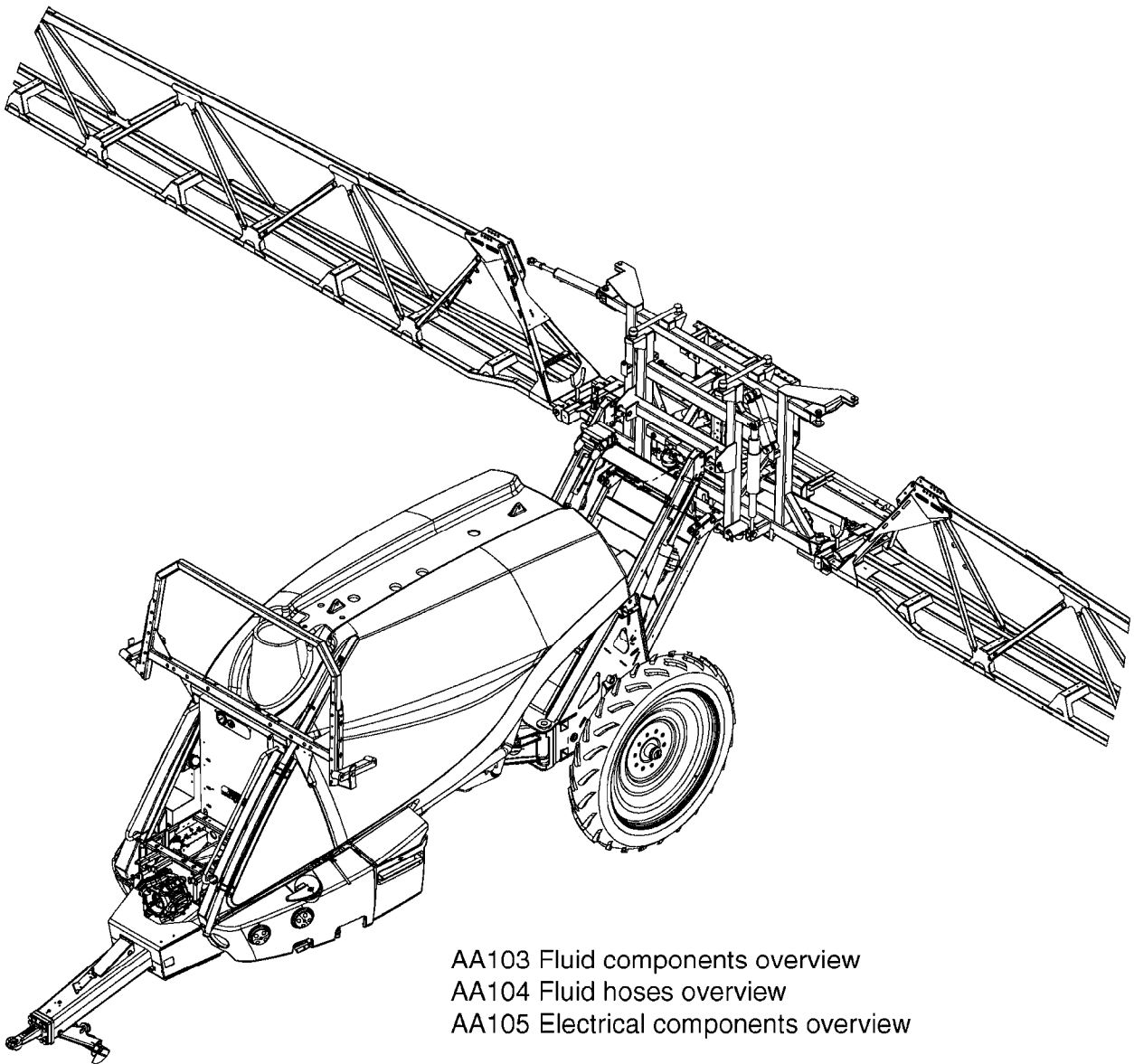
| main group                   | page-n°   | date   | description   |
|------------------------------|---|--|---|
| System overview              | AA102-HIN<br>AA103-HIN<br>AA104-HIN<br>AA105-HIN<br>AA106-HIN<br>AA107-HIN<br>AA108-HIN<br>AA109-HIN  | 14:11:16<br>18:11:16<br>14:11:16<br>18:11:16<br>14:11:16<br>14:11:16<br>18:09:17<br>14:11:16   | COMMANDER 45/55/7000 OVERVIEW<br>COMMANDER 45/55/7000 FLUID OVERVIEW<br>COMMANDER 45/55/7000 HOSES OVERVIEW<br>COMMANDER 45/55/7000 ELECT. OVERVIEW<br>COMMANDER 45/55/7000 FLUID FRONT<br>COMMANDER 4500 FLUID SYS.PRESSURE<br>COMMANDER 55/7000 FLUID SYS.PRESSURE<br>COMMANDER 45/55/7000 FLUID SYS.SUCTION  |
| Pumps                        | A0330-HIN<br>A0340-HIN<br>A0350-HIN<br>A0380-HIN<br>A0390-HIN<br>A0560-HIN<br>A0580-HIN<br>A0610-HIN  | 01:01:16<br>01:01:16<br>23:04:19<br>07:11:16<br>28:05:19<br>23:10:18<br>01:01:16<br>23:10:18   | PUMP - 463 W/ MOUNTING BASE<br>PUMP - 463/1000 RPM W/MOUNTING<br>PUMP - 464 540/1000 RPM<br>PUMP - 463 FLEX CAPACITY<br>PUMP - 460/462/463 FITTINGS<br>C.V.PTO-BLACK TRIANG.(POST'05)<br>PTO SHAFTS - AMA DIAPHRAGM<br>C.V. PTO SHAFTS - BONDIOLI G-SERIES  |
| Controls, Filters, Valves    | B410-HIA<br>B412-HIA<br>B418-HIA<br>B420-HIA<br>B421-HIA<br>B422-HIA<br>B423-HIA<br>B429-HIA<br>B430-HIA<br>B530-HIA<br>B0320-HIN<br>B0430-HIN<br>B0500-HIN<br>B0550-HIN<br>B0640-HIN<br>B0720-HIN<br>B0730-HIN<br>B0790-HIN<br>B0840-HIN | 07:05:20<br>27:04:16<br>31:08:15<br>29:07:15<br>07:06:17<br>19:12:12<br>07:06:17<br>25:08:16<br>10:07:15<br>03:07:17<br>20:05:20<br>12:09:19<br>28:01:19<br>28:01:19<br>15:10:19<br>01:01:16<br>01:01:16<br>30:08:16<br>30:07:19 | S93 SUCTION VALVE 05<br>DISTRIBUTOR EFC DIVIDED (05)<br>SMART VALVE S67 (11)<br>S67 VALVE<br>SMART VALVE S67 (11)<br>VALVE S67 2-WAY (11)<br>S67 VALVE (11)<br>DF4 VALVE SYNTAL/CERAMIC<br>HANDLE/INDICATOR F.SMART VALVE<br>CM11 TURBOFILLER W.HOSES<br>EFC BOOM VALVES<br>MANIFOLD - S67 VALVE<br>SMART VALVE S67 S93 (07)<br>MANIFOLD - S93 VALVE (07)<br>CHECK VALVES - S67 (2011)<br>EASY CLEAN FILTER<br>PRESSURE FILTER - CYCLONE<br>S93 EJECTOR F.TURBOFILLER<br>AGITATION VALVE S67 MANUAL |
| Hydraulics                   | C0020-HIN<br>C0040-HIN<br>C0580-HIN<br>C0590-HIN<br>C0615-HIN<br><br>C0630-HIN<br>C0651-HIN<br>C0661-HIN<br>C0870-HIN<br>C0880-HIN<br>C0910-HIN<br>C0920-HIN<br>C236-HIA<br>C238-HIA  | 01:01:16<br>01:10:19<br>01:01:16<br>13:05:19<br>03:07:19<br><br>14:05:19<br>09:01:18<br>18:08:17<br>14:05:19<br>17:08:17<br>13:05:19<br>05:06:19<br>01:03:16<br>30:01:14   | HYDRAULICS - CYLINDERS<br>HYDRAULICS - CYLINDERS (07)<br>CETOP VALVES<br>HYD.BLOCK EAGLE/FORCE 2012<br>BASIC HYDRAULICS CM<br>4500/5500/7000/8500/10000<br>TRACK HYDRAULICS NCM 4400/6600<br>HYDRAULICS FORCE 80'-100' (POST '06)<br>HYDRAULICS FORCE 120'-132' (POST '06)<br>CM/NAV HYD. PARALIFT<br>HYD. DRIVE PUMP 464H<br>HYDRAULIC SOLENOIDS<br>HYD. DAMPER, LOCKING CYLINDER<br>AUTOTERRAIN<br>CM11 REAR CENTRAL GREASE   |
| Booms, Nozzle Bodies & Tubes | D0560-HIN<br>D0740-HIN<br>D0750-HIN   | 01:01:16<br>05:06:19<br>01:01:16   | TRANSPORT BKTS - NCM/NAVIGATOR<br>WIDE CENTER FRAME-FORCE/TF<br>BOOM-FORCE INNER WING 80'-132'  |



| main group                     | page-n°                   | date                                      | description                         |
|--------------------------------|---------------------------|---|-------------------------------------|
| Tank and Frame: Field Sprayers | D0760-HIN                 | 01:01:16                                  | BOOM-FORCE OUTER WING 110-132'      |
|                                | D0770-HIN                 | 01:01:16                                  | BOOM-FORCE BREAKAWAY 80'-132'       |
|                                | D0780-HIN                 | 01:01:16                                  | BOOM-FORCE INNER 100' BI-FOLD       |
|                                | D0790-HIN                 | 01:01:16                                  | BOOM-FORCE OUTER 100' BI-FOLD       |
|                                | D0860-HIN                 | 01:01:16                                  | BOOM WHEEL,FTZ,HD,AIR-BAG           |
|                                | D1000-HIN                 | 01:01:16                                  | BOOM-NOZZLES 110° FLAT FAN ISO      |
|                                | D1010-HIN                 | 01:01:16                                  | BOOM-NOZZLES 110° LOWDRIFT ISO      |
|                                | D1020-HIN                 | 01:01:16                                  | BOOM-NOZZLES 80° FLAT FAN ISO       |
|                                | D1030-HIN                 | 28:11:17                                  | BOOM-NOZZLE CAPS AND FILTERS        |
|                                | D1040-HIN                 | 01:01:16                                  | BOOM-NOZZLES INJET                  |
|                                | D1050-HIN                 | 01:01:16                                  | BOOM-NOZZLES MINIDRIFT              |
|                                | D1060-HIN                 | 01:01:16                                  | BOOM-NOZZLES QUINTASTREAM           |
|                                | D1100-HIN                 | 01:01:16                                  | DOUBLE NOZZLE HOLDER-SNAP FIT       |
|                                | D1120-HIN                 | 01:01:16                                  | NZZL TUBES&FITTINGS-STNLS STEEL     |
|                                | Special equipment, Extras | E220-HIA                                  | 17:01:18                            |
| E221-HIA                       |                           | 01:07:13                                  | TANK CM11 55/7000 INSIDE            |
| E224-HIA                       |                           | 19:11:12                                  | CM11 (ALL) RINSING NOZZLE ASSY.     |
| E225-HIA                       |                           | 17:01:18                                  | CM11 TANK 4500                      |
| E226-HIA                       |                           | 02:07:13                                  | TANK CM11 4500 INSIDE               |
| E229-HIA                       |                           | 31:10:13                                  | CM11 COVERING                       |
| E230-HIA                       |                           | 01:11:13                                  | CM11 UNDERBELLY PROTECTION          |
| E445-HIA                       |                           | 07:02:14                                  | CHEMLOCKER                          |
| E0790-HIN                      |                           | 06:07:17                                  | HUB ASSEMBLY F.4-1/2" SPINDLE       |
| E0810-HIN                      |                           | 01:01:16                                  | CAMOPLAST TRACK 40 SERIES           |
| E0815-HIN                      |                           | 21:08:19                                  | CAMOPLAST SPEED SENSOR              |
| E0830-HIN                      |                           | 01:01:16                                  | CAMOPLAST FRAME 40 SERIES           |
| E0840-HIN                      |                           | 01:01:16                                  | CAMOPLAST TENSION LINK ASSY.        |
| E0850-HIN                      |                           | 01:01:16                                  | CAMOPLAST TENSIONER ASSEMBLY        |
| E0860-HIN                      |                           | 01:01:16                                  | CAMOPLAST ALIGNMENT ASSEMBLY        |
| E0880-HIN                      | 01:01:16                  | CAMOPLAST BOGIE MID-ROLLER 40             |                                     |
| E0890-HIN                      | 01:01:16                  | CAMOPLAST HUB ASSEMBLY - IDLER            |                                     |
| E0900-HIN                      | 01:01:16                  | CAMOPLAST HUB ASSY. MID-ROLLER            |                                     |
| E1020-HIN                      | 17:11:16                  | SWIVEL HOSE GUARD                         |                                     |
| E1050-HIN                      | 01:01:16                  | COMMANDER 4400-7000 NON-SUSPEND.AXLE      |                                     |
| E1060-HIN                      | 02:04:19                  | COMMANDER 4400-7000 SUSPENDE AXLE         |                                     |
| E1200-HIN                      | 07:02:19                  | HYD. DRAWBAR CM5500/7000                  |                                     |
| E1210-HIN                      | 08:02:19                  | FRAME - CM45/55/7000                      |                                     |
| E1220-HIN                      | 26:07:17                  | FRAME - REAR W/PARALIFT CM45/55/7000      |                                     |
| E1260-HIN                      | 31:01:17                  | LOCKER & CLEAN WATER TANK<br>CM45/55/7000 |                                     |
| Fittings                       | E1280-HIN                 | 26:04:17                                  | MECH. TANK GAUGE CM4500/5500/7000   |
|                                | E1290-HIN                 | 16:08:17                                  | AGITATION TUBE                      |
|                                | K261-HIA                  | 12:09:17                                  | RINSING TANK                        |
|                                | K612-HIA                  | 29:04:14                                  | CM HOSE REEL                        |
|                                | K621-HIA                  | 20:10:16                                  | MANIFOLD F.TURBO FILLER             |
|                                | K0180-HIN                 | 01:01:16                                  | DRAIN ASSEMBLY-PULL CORD TYPE       |
|                                | K0264-HIN                 | 06:12:17                                  | ELECTRIC END NOZZLE KIT FTZ/TDZ '13 |
|                                | K0270-HIN                 | 28:09:16                                  | FILTER ASSEMBLIES-IN LINE           |
|                                | K0471-HIN                 | 22:10:18                                  | FOAM MARKER - RICHWAY COMMANDER     |
|                                | K0476-HIN                 | 26:02:18                                  | FOAM MARKER - DROPPER RICHWAY       |
|                                | K0560-HIN                 | 01:01:16                                  | PRESSURE GAUGES                     |
|                                | K0770-HIN                 | 01:01:16                                  | SAFETY CHAINS                       |
|                                | L0010-HIN                 | 01:01:16                                  | FITTINGS-CAP NUTS & HOSE BARBS      |
|                                | L0020-HIN                 | 01:01:16                                  | FITTINGS-T-PIECES,CAPS & ELBOWS     |
|                                | L0030-HIN                 | 01:01:16                                  | FITTINGS - HEXAGON NIPPLES          |



| main group           | page-n°   | date                      | description                        |
|----------------------|-----------|---------------------------|------------------------------------|
| Electrical Equipment | L0040-HIN | 01:01:16                  | FITTINGS - NIPPLES & ELBOWS        |
|                      | L0050-HIN | 01:01:16                  | FITTINGS - HOSE CONNECTORS         |
|                      | L0060-HIN | 01:01:16                  | FITTINGS - BULKHEAD                |
|                      | L0070-HIN | 13:09:17                  | FITTINGS - S-40                    |
|                      | L0080-HIN | 12:09:17                  | FITTINGS - S-53                    |
|                      | L0090-HIN | 01:01:16                  | FITTINGS - S-56 & S-61             |
|                      | L0100-HIN | 21:06:18                  | FITTINGS - S-67                    |
|                      | L0110-HIN | 13:09:17                  | FITTINGS - S-93                    |
|                      | L0120-HIN | 17:10:19                  | BULK HOSE                          |
|                      | L0130-HIN | 16:10:19                  | HOSE CLAMPS                        |
|                      | L0140-HIN | 01:01:16                  | FITTINGS - T25                     |
|                      | M105-HIA  | 04:07:16                  | HC6400 SETBOX                      |
|                      | M212-HIA  | 05:10:11                  | AMP CAP                            |
|                      | M224-HIA  | 16:11:17                  | JOB COM ISOBUS HW V.3              |
|                      | M225-HIA  | 08:05:15                  | ISO CABLE TRACTOR IMPLEMENT        |
|                      | M226-HIA  | 05:08:14                  | CABLE ISO JC HW V.3 UC5 CM11       |
|                      | M315-HIA  | 21:03:17                  | RPM SENSOR                         |
|                      | M317-HIA  | 17:07:12                  | DIST. VALVE S67                    |
|                      | M320-HIA  | 17:10:17                  | TDZ AUTOTERRAIN BRACKETS           |
|                      | M408-HIA  | 10:02:16                  | NORAC UC5 AUTOTERRAIN TDZ          |
|                      | M413-HIA  | 13:11:17                  | NORAC UC5 TERRAIN KIT              |
|                      | M414-HIA  | 22:02:13                  | HC 85/9500 TRACTOR WIRING ASSY.    |
|                      | M415-HIA  | 25:02:13                  | ISO TRACTOR W.ASSY.ALT.            |
|                      | M416-HIA  | 25:02:13                  | HC 85/9500 TRACTOR W.NO CABIN CON. |
|                      | M417-HIA  | 25:02:13                  | HC 85/9500 TRACTOR W.CABIN CON.    |
|                      | M418-HIA  | 12:05:20                  | BOOMLIGHT AND WORKLIGHT            |
|                      | M419-HIA  | 10:03:14                  | WORK LIGHT JUNCTION BOX '13        |
|                      | M0120-HIN | 01:01:16                  | TRANSDUCERS AND ACCESSORIES        |
|                      | M0130-HIN | 12:12:16                  | COMMON SENSORS AND BRACKETS        |
|                      | M0140-HIN | 01:01:16                  | PRESSURE SENSOR - AMP              |
|                      | M0150-HIN | 01:01:16                  | ANGLE SENSOR NCM                   |
|                      | M0170-HIN | 04:12:17                  | TERRA FORCE BOOM SENSORS           |
|                      | M0220-HIN | 12:05:18                  | CABLES                             |
|                      | M0230-HIN | 01:01:16                  | JUNCTION BOX - LIQUID              |
|                      | M0270-HIN | 01:01:16                  | HC 5500 ACCESSORIES                |
|                      | M0330-HIN | 01:01:16                  | HC6400 SETBOX                      |
|                      | M0341-HIN | 26:07:16                  | HC6301 GRIP ISO                    |
|                      | M0370-HIN | 16:10:18                  | NORAC UC5 BOOM HEIGHT CONTROL      |
|                      | M0375-HIN | 26:06:17                  | NORAC UC5 SENSOR BRACKETS          |
|                      | M0380-HIN | 30:04:19                  | NORAC VAR. RATE VALVE UC4/UC5      |
|                      | M0390-HIN | 01:01:16                  | DHP BREAK OUT BOX 2007             |
|                      | M0440-HIN | 25:07:16                  | GPS 6000/6500 ANTENNA              |
|                      | M0450-HIN | 12:12:16                  | SYSTEM OVERVIEW HC8600/9600        |
|                      | M0460-HIN | 06:12:16                  | HC8500/9500 DISPLAY                |
|                      | M0470-HIN | 06:12:16                  | HC8600/9600 DISPLAY                |
| M0480-HIN            | 08:12:16  | TRACK CABLE CM45/55/7000  |                                    |
| M0510-HIN            | 19:06:19  | REMOTE TANK GAUGE DISPLAY |                                    |



**AA102**



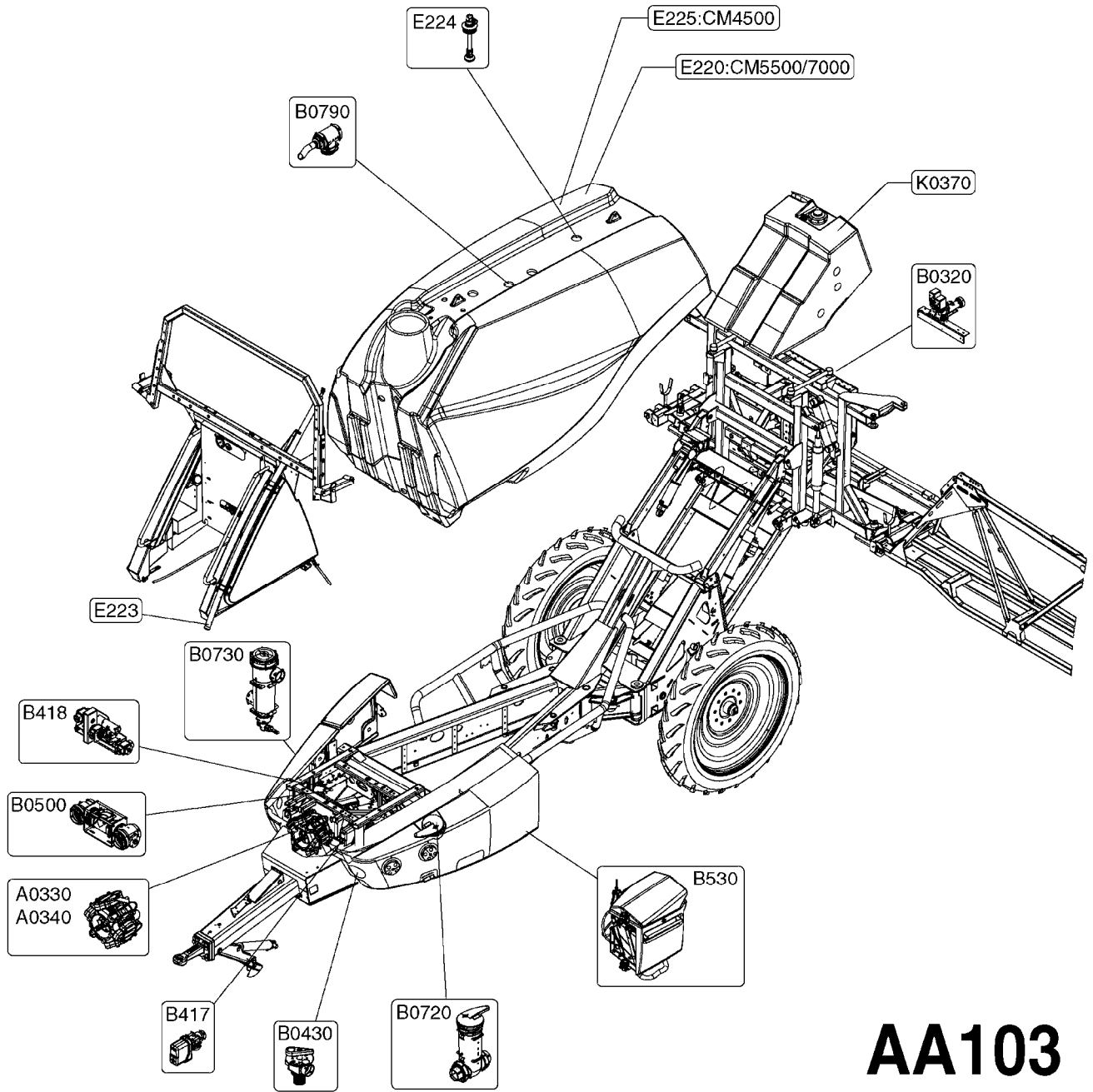
Agroparts: [www.HARDI-INTERNATIONAL.com](http://www.HARDI-INTERNATIONAL.com)

COMMANDER 45/55/7000 OVERVIEW  
AA102-HIN, 14:11:16

Page 1

Date 12.08.2020 9:03

| parts-n° | order qty | description |
|----------|-----------|-------------|
|          |           |             |



**AA103**



Agroparts: [www.HARDI-INTERNATIONAL.com](http://www.HARDI-INTERNATIONAL.com)

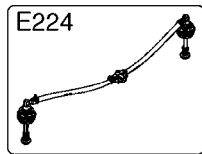
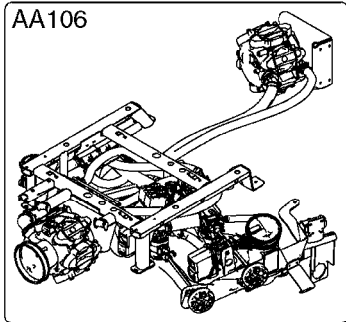
COMMANDER 45/55/7000 FLUID  
OVERVIEW  
AA103-HIN, 18:11:16

Page 1

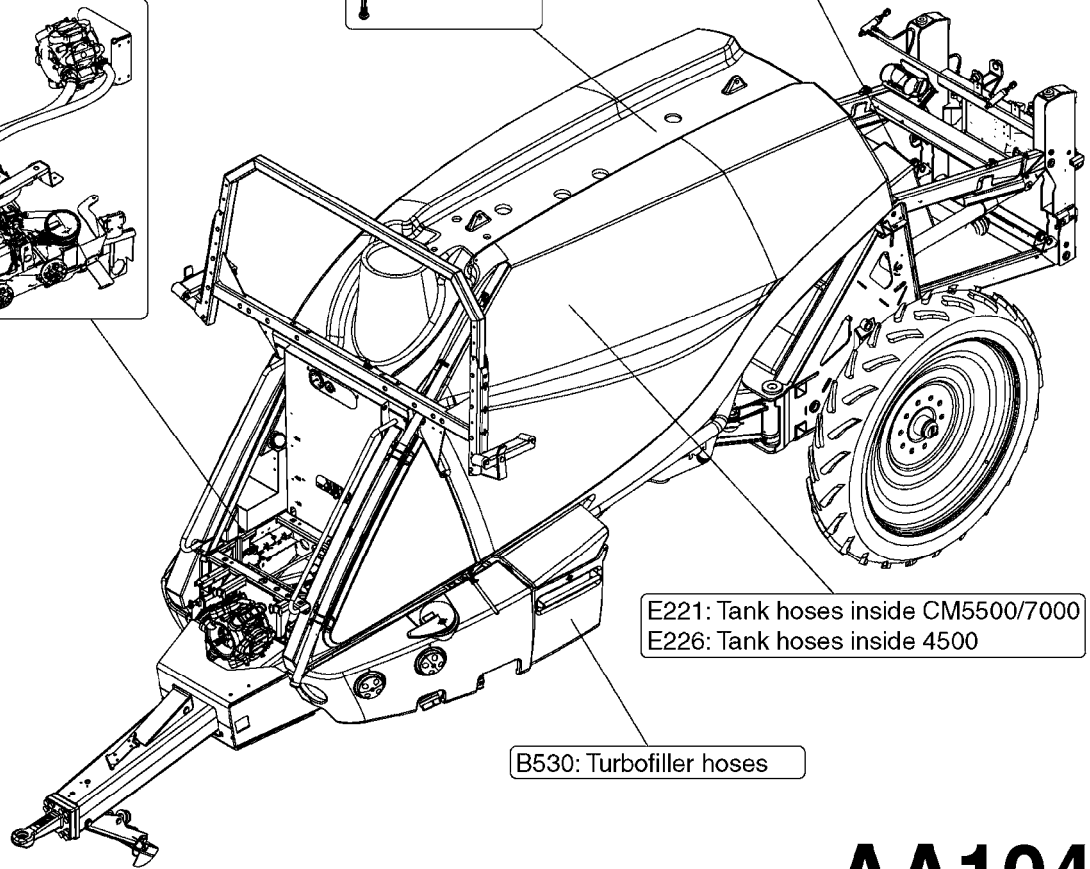
Date 12.08.2020 9:03

| parts-n° | order qty | description |
|----------|-----------|-------------|
|          |           |             |





K261: Rinsing tank hoses



E221: Tank hoses inside CM5500/7000  
E226: Tank hoses inside 4500

B530: Turbofiller hoses

# AA104



COMMANDER 45/55/7000 HOSES  
OVERVIEW  
AA104-HIN, 14:11:16

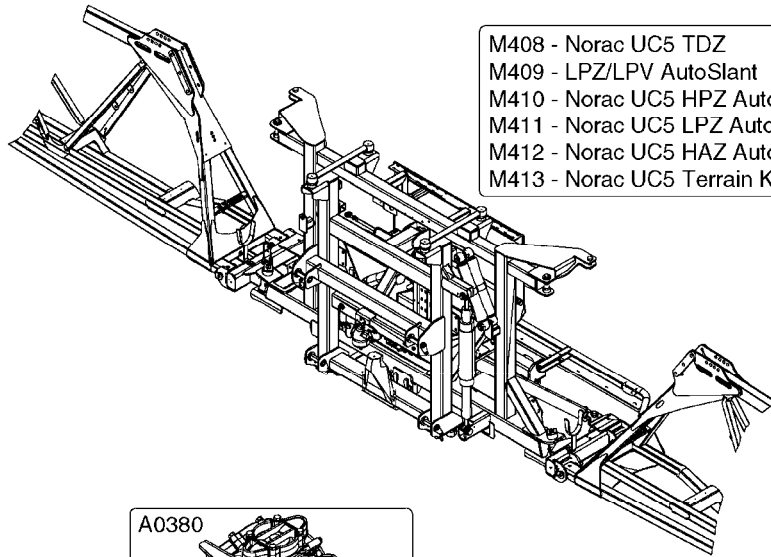
Page

1

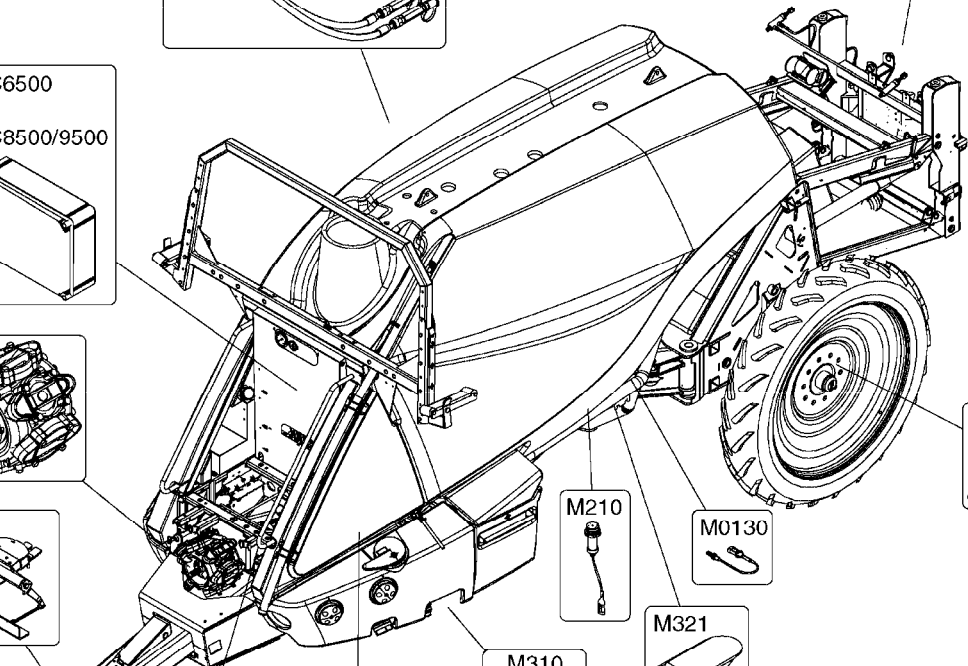
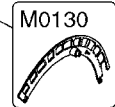
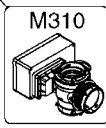
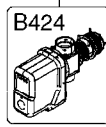
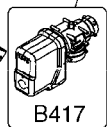
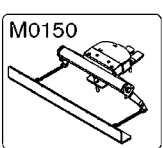
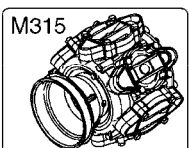
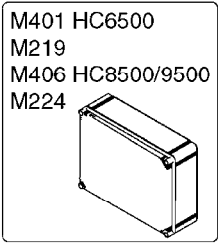
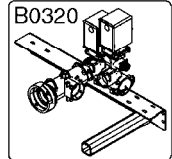
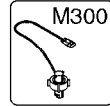
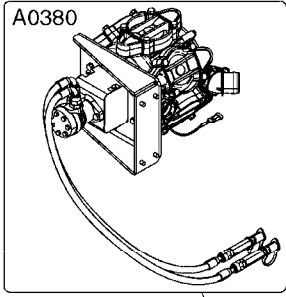
Date

12.08.2020 9:03

| parts-n° | order qty | description |
|----------|-----------|-------------|
|          |           |             |



- M408 - Norac UC5 TDZ
- M409 - LPZ/LPV AutoSlant
- M410 - Norac UC5 HPZ AutoHeight
- M411 - Norac UC5 LPZ AutoHeight
- M412 - Norac UC5 HAZ AutoHeight
- M413 - Norac UC5 Terrain Kit



**AA105**



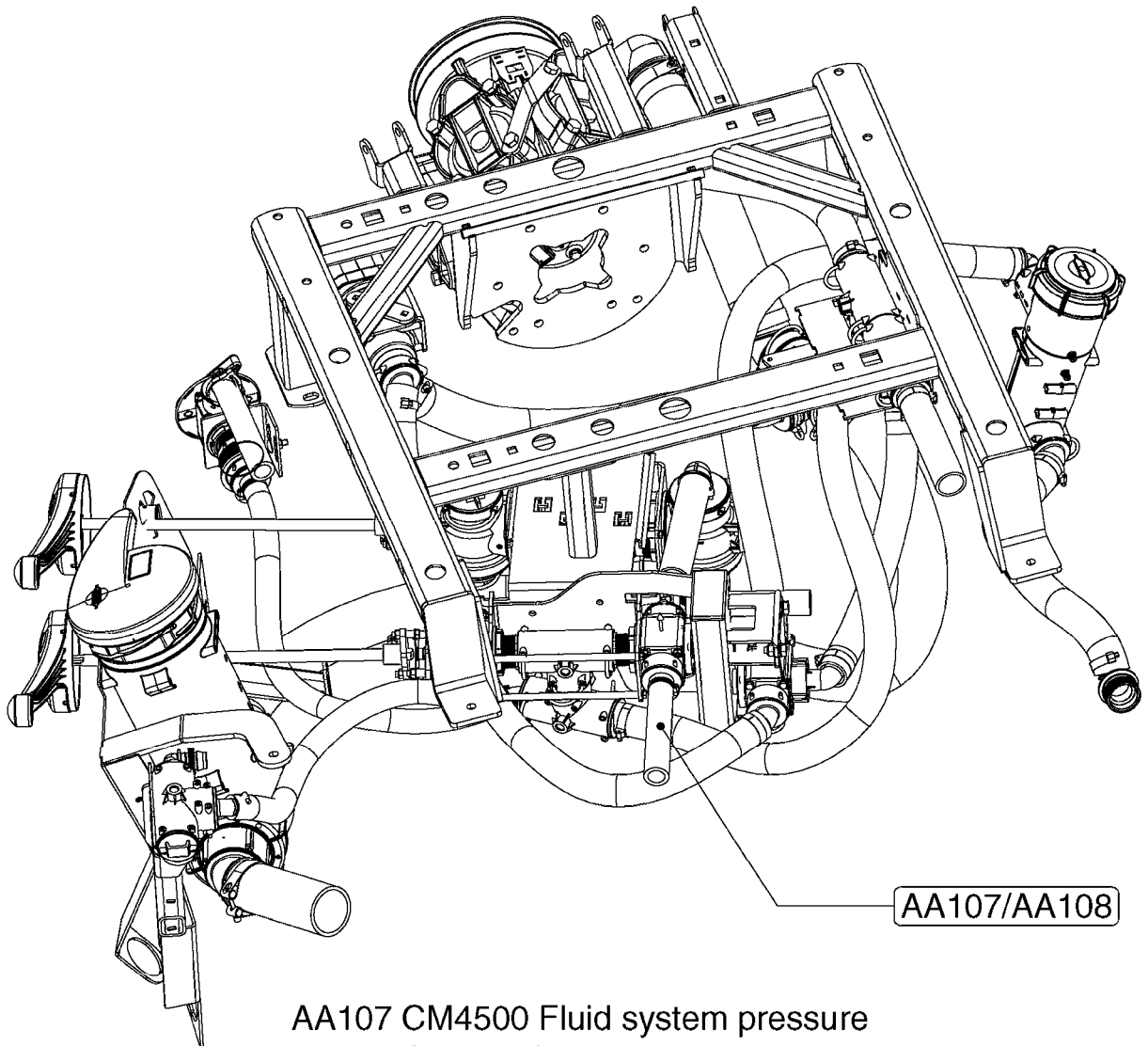
Agroparts: [www.HARDI-INTERNATIONAL.com](http://www.HARDI-INTERNATIONAL.com)

COMMANDER 45/55/7000 ELECT.  
OVERVIEW  
AA105-HIN, 18:11:16

Page 1

Date 12.08.2020 9:03

| parts-n° | order qty | description |
|----------|-----------|-------------|
|          |           |             |



AA107 CM4500 Fluid system pressure  
AA108 CM5500/7000 Fluid system pressure  
AA109 CM4500/5500/7000 Fluid system suction

# AA106



Agroparts: [www.HARDI-INTERNATIONAL.com](http://www.HARDI-INTERNATIONAL.com)

COMMANDER 45/55/7000 FLUID  
FRONT  
AA106-HIN, 14:11:16

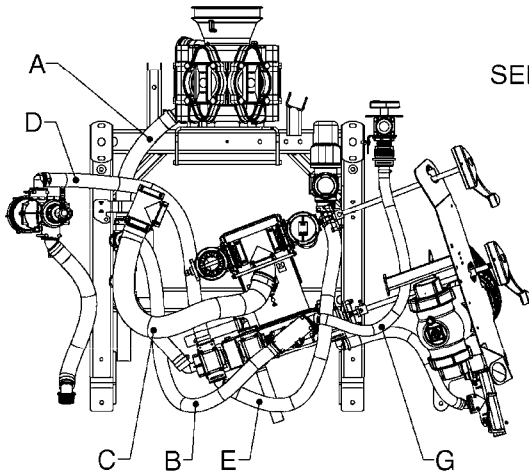
Page 1

Date 12.08.2020 9:03

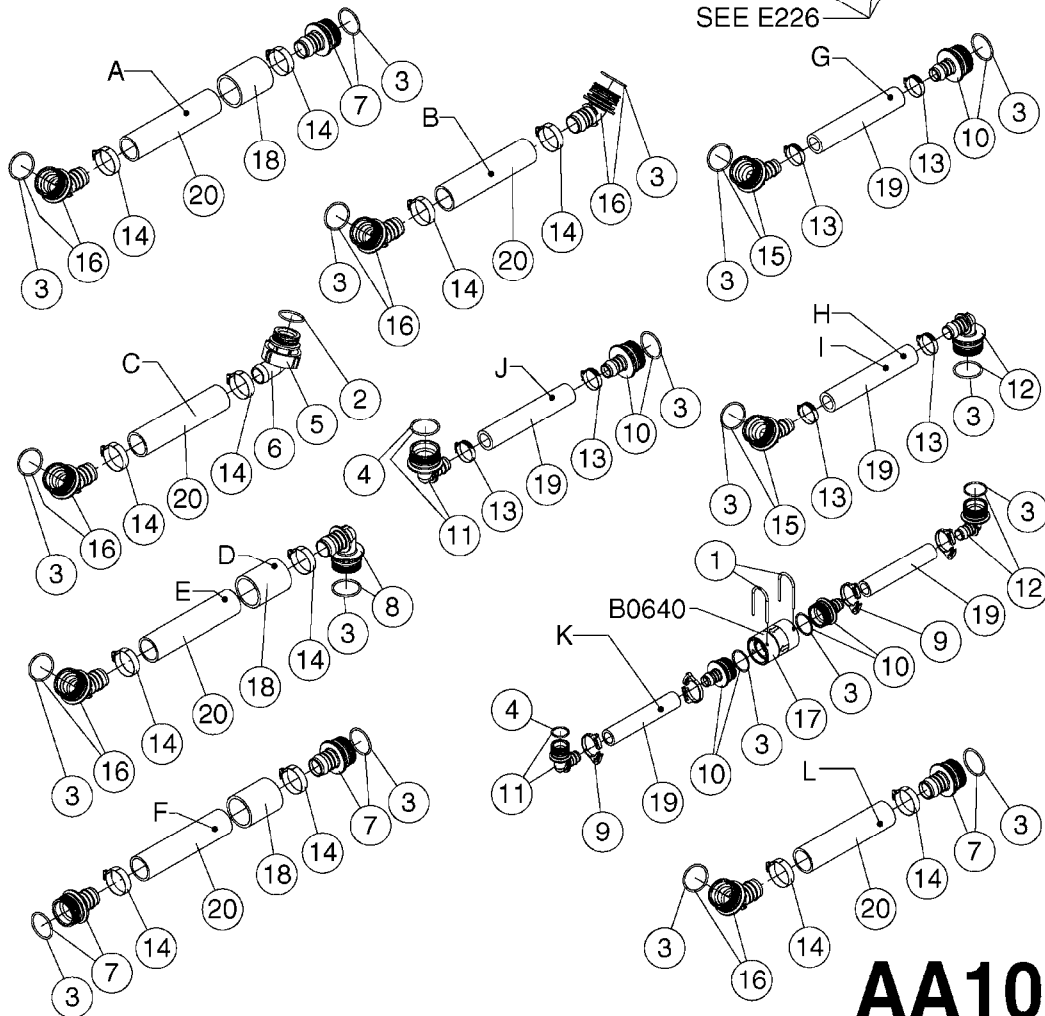
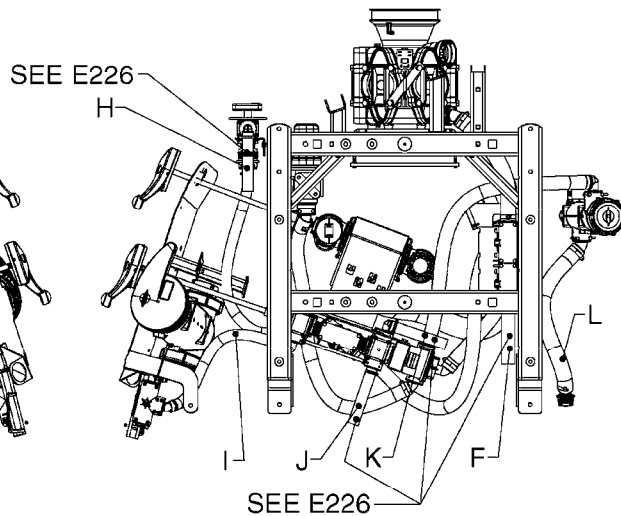
| parts-n° | order qty | description |
|----------|-----------|-------------|
|          |           |             |



BOTTOM VIEW



TOP VIEW



**AA107**



COMMANDER 4500 FLUID SYS.  
PRESSURE  
AA107-HIN, 14:11:16

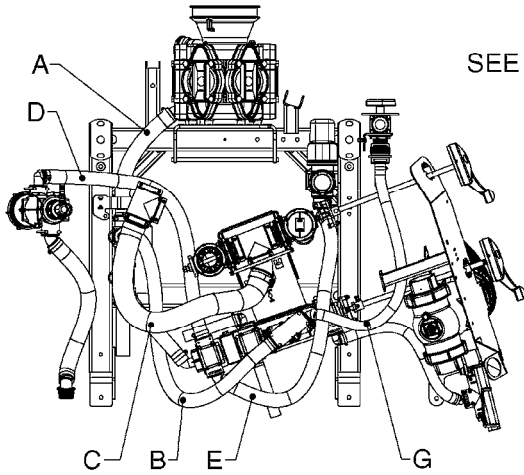
Page 1  
Date 12.08.2020 9:03

| Pos. | parts-n° | order qty | description                    |
|------|----------|-----------|--------------------------------|
| 1    | 145996   | 1         | FITT.DK S-67 FORK              |
| 2    | 242020   | 1         | O-RING 39.2 X 3 VITON          |
| 3    | 242353   | 1         | O-RING 3 X 44.2 VITON          |
| 4    | 242354   | 1         | O-RING D32.2X3.0 VITON         |
| 5    | 322066   | 1         | FITT.DK S-56 NUT               |
| 6    | 334151   | 1         | FITT.DK S-61 ELB.1-1/4"110 DEG |
| 7    | 334232   | 1         | FITT.DK S-67 STR.1-1/4"        |
| 8    | 334244   | 1         | FITT.DK S-67 ELB.1-1/4"        |
| 9    | 334680   | 1         | CLAMP HOSE PLASTIC 1"          |
| 10   | 726560   | 1         | FITT.DK S-67 STR.1" W.O'RING   |
| 11   | 726571   | 1         | FITT.DK S-53 ELB.1", W ORING   |
| 12   | 726572   | 1         | FITT.DK S-67 1" ELBOW 90 ASSY. |
| 13   | 28030003 | 1         | CLAMP HOSE GEAR P1" 6716       |
| 14   | 28030103 | 1         | CLAMP HOSE GEAR P5/4-S1.5"6724 |
| 15   | 72433000 | 1         | FITT.S67 1" 45° W/O-RING       |
| 16   | 72433100 | 1         | FITT.DK S-67 45° 1-1/4"W/ORING |
| 17   | 72819300 | 1         | CHECK VALVE S67 2012 NO THREAD |
| 18   | 92702703 | 1         | HOSE PVC SUCT GRAY 2"          |
| 19   | 92712403 | 1         | HOSE R X1" X300PSI WP X0012"   |
| 20   | 92734403 | 1         | HOSE R X5/4" X200PSI WP X0012" |

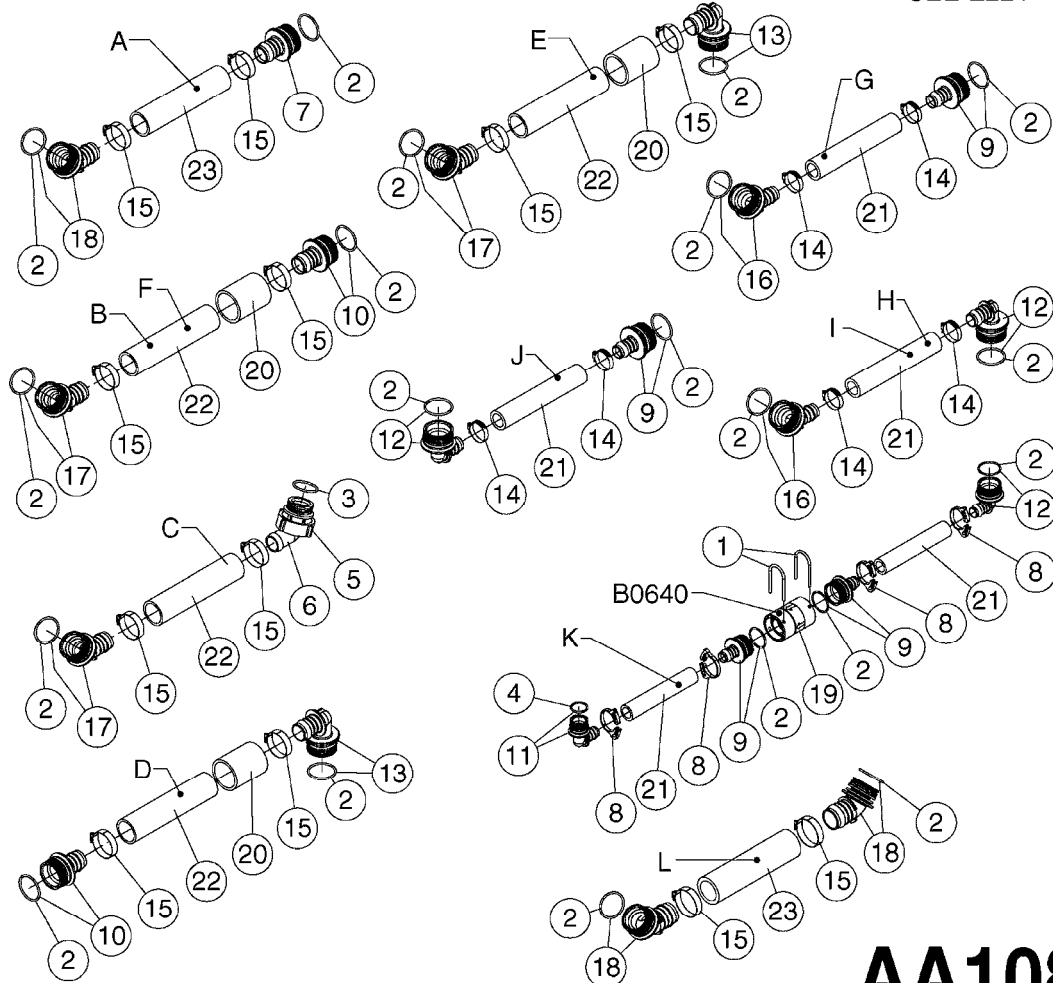
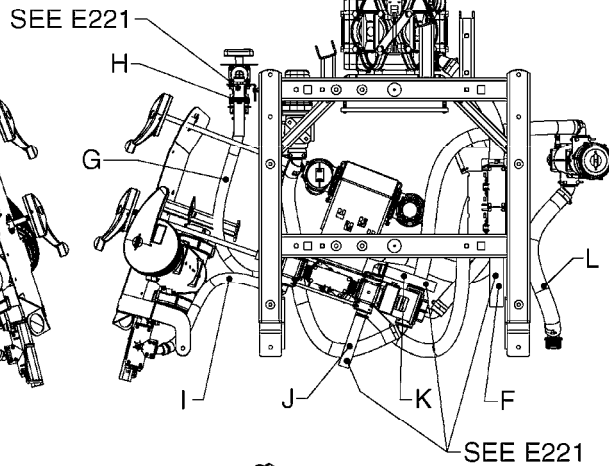




BOTTOM VIEW



TOP VIEW



**AA108**

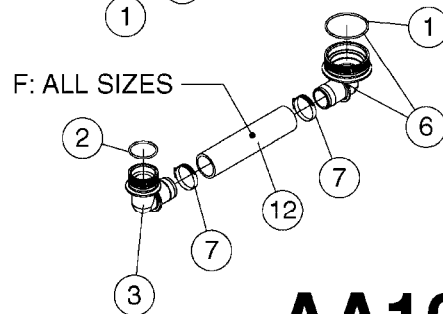
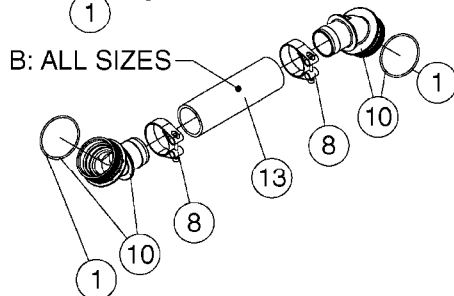
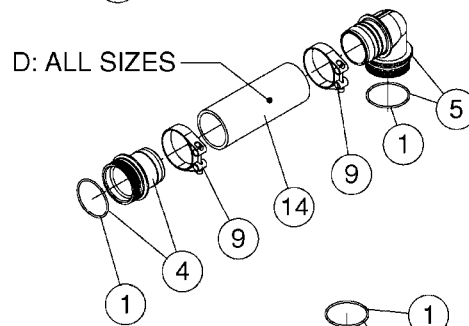
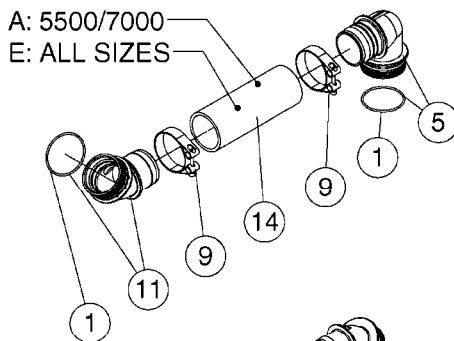
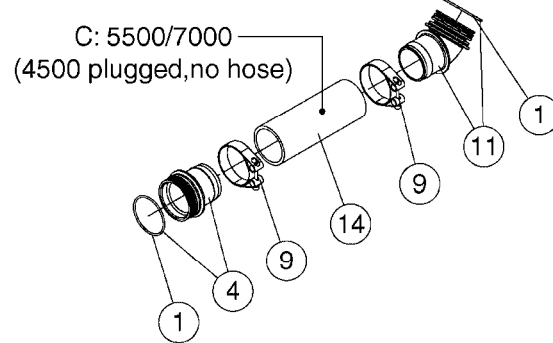
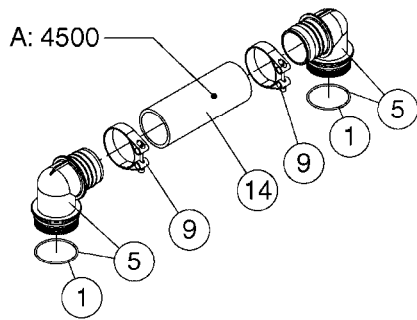
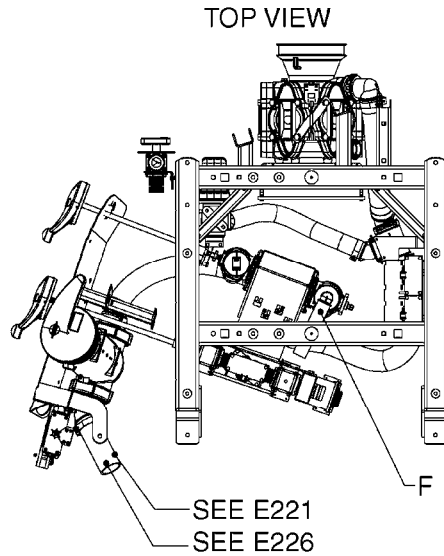
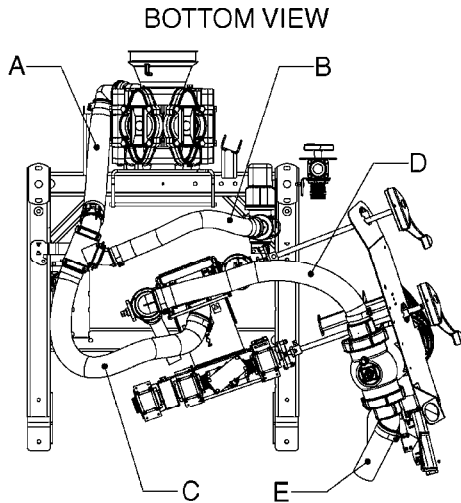


Agroparts: [www.HARDI-INTERNATIONAL.com](http://www.HARDI-INTERNATIONAL.com)

COMMANDER 55/7000 FLUID SYS.  
PRESSURE  
AA108-HIN, 18:09:17

Page 1  
Date 12.08.2020 9:03

| Pos. | parts-n° | order qty | description                                      |
|------|----------|-----------|--|
| 1    | 145996   | 1         | FITT.DK S-67 FORK                                |
| 2    | 241973   | 1         | O-RING Ø3 X 44.2 70 SHORES NITRIL NITRIL (BLACK) |
| 2    | 242353   | 1         | O-RING 3 X 44.2 VITON VITON (BROWN)              |
| 3    | 242020   | 1         | O-RING 39.2 X 3 VITON                            |
| 4    | 242109   | 1         | O-RING D32.2x3.0 NITRIL (BLACK)                  |
| 4    | 242354   | 1         | O-RING D32.2X3.0 VITON VITON (BROWN)             |
| 5    | 322066   | 1         | FITT.DK S-56 NUT                                 |
| 6    | 334151   | 1         | FITT.DK S-61 ELB.1-1/4"110 DEG                   |
| 7    | 334233   | 1         | FITT.DK S-67 STR.1-1/2" RUBBER                   |
| 8    | 334680   | 1         | CLAMP HOSE PLASTIC 1"                            |
| 9    | 726560   | 1         | FITT.DK S-67 STR.1" W.O'RING                     |
| 10   | 726561   | 1         | FITT.DK S-67 STR.1-1/4" O-RING                   |
| 11   | 726571   | 1         | FITT.DK S-53 ELB.1", W ORING                     |
| 12   | 726572   | 1         | FITT.DK S-67 1" ELBOW 90 ASSY.                   |
| 13   | 726573   | 1         | FITT. S67 5/4" 90° W/O-RING                      |
| 14   | 28030003 | 1         | CLAMP HOSE GEAR P1" 6716                         |
| 15   | 28030103 | 1         | CLAMP HOSE GEAR P5/4-S1.5"6724                   |
| 16   | 72433000 | 1         | FITT.S67 1" 45° W/O-RING                         |
| 17   | 72433100 | 1         | FITT.DK S-67 45° 1-1/4"W/ORING                   |
| 18   | 72433200 | 1         | FITT.S67 1-1/2" 45°PVC W/O-RING                  |
| 19   | 72819300 | 1         | CHECK VALVE S67 2012 NO THREAD                   |
| 20   | 92702703 | 1         | HOSE PVC SUCT GRAY 2"                            |
| 21   | 92712403 | 1         | HOSE R X1" X300PSI WP X0012"                     |
| 22   | 92734403 | 1         | HOSE R X5/4" X200PSI WP X0012"                   |
| 23   | 92736503 | 1         | HOSE R X1.5" X200PSI WP X0012"                   |



**AA109**



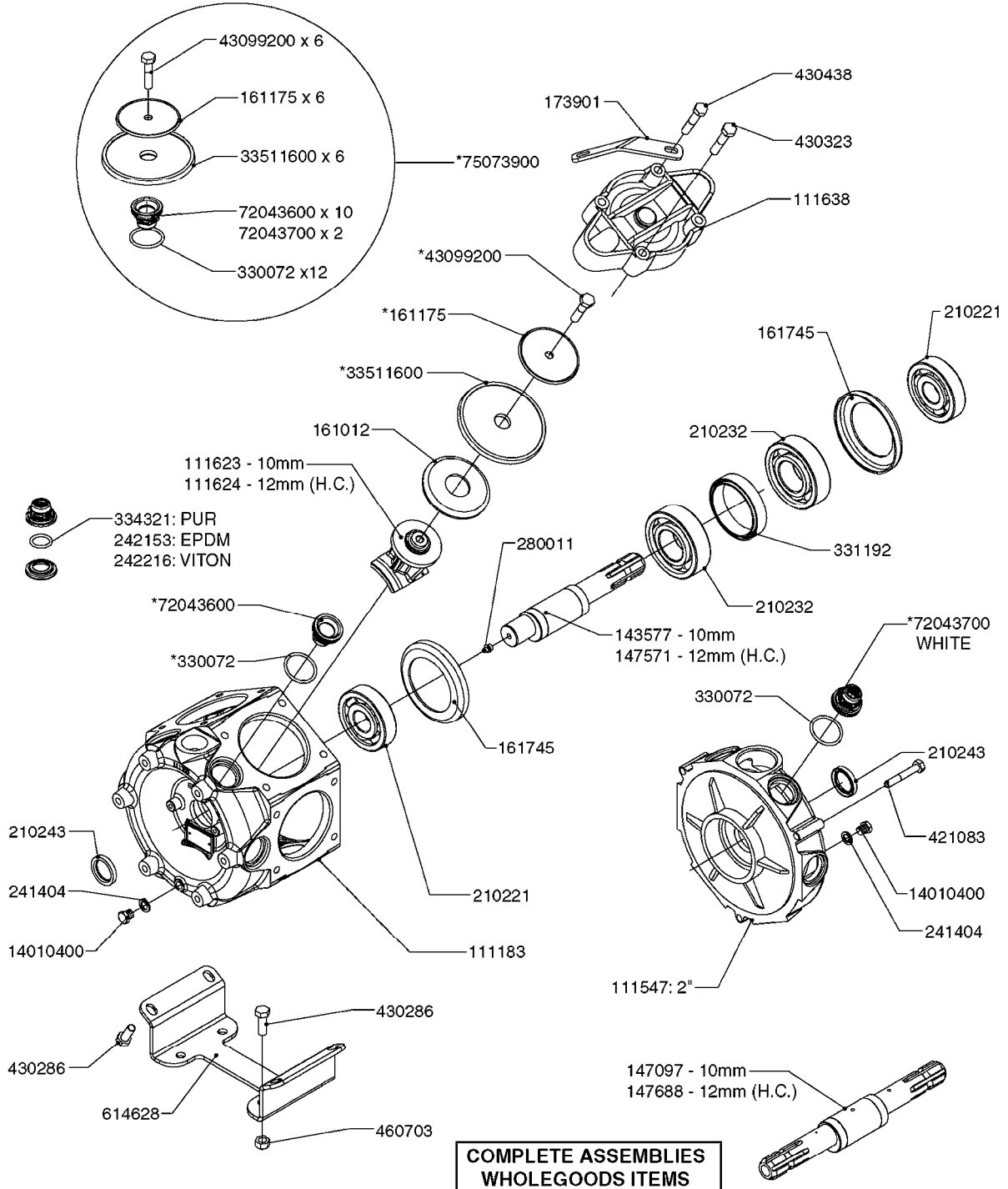
COMMANDER 45/55/7000 FLUID  
SYS.SUCTION  
AA109-HIN, 14:11:16

Page 1  
Date 12.08.2020 9:03

| Pos. | parts-n° | order qty | description                     |
|------|----------|-----------|---------------------------------|
| 1    | 242351   | 1         | O-RING D69.5X3.0 VITON F.S-93   |
| 2    | 242353   | 1         | O-RING 3 X 44.2 VITON           |
| 3    | 334445   | 1         | FITT.DK S-67 ELB.1-1/2"         |
| 4    | 727133   | 1         | HOSETAIL S93 2"1/2 + O-RING     |
| 5    | 727226   | 1         | HOSETAIL S93 2"1/2 90°+O-RING   |
| 6    | 728395   | 1         | FITT.DK S-93 ELB.1-1/2" 90 DEG  |
| 7    | 28030103 | 1         | CLAMP HOSE GEAR P5/4-S1.5"6724  |
| 8    | 28030203 | 1         | CLAMP HOSE T-BOLT S2" 235-67    |
| 9    | 28030303 | 1         | CLAMP HOSE T-BOLT S2.5" 235-76  |
| 10   | 72072700 | 1         | FITT.DK S-93 45D 2" PVC         |
| 11   | 72072900 | 1         | FITT. S93 2-1/2" 45° S W/O-RING |
| 12   | 92702603 | 1         | HOSE PVC SUCT GRAY 1-1/2"       |
| 13   | 92702703 | 1         | HOSE PVC SUCT GRAY 2"           |
| 14   | 92702803 | 1         | HOSE PVC SUCT GRAY 2.5"         |



**PUMP REPAIR KIT**



**COMPLETE ASSEMBLIES  
WHOLEGOODS ITEMS**

**COMPLETE PUMPS**  
821587 - 463/10 2" W/THROUGH SHAFT (540 RPM)  
82166300 - 463/12 2" (540 RPM H.C. INLINE PORTS)  
463/12 2" (540 RPM H.C. OFFSET PORTS) REPLACED BY 82168700 (PAGE A0350)

# A0330

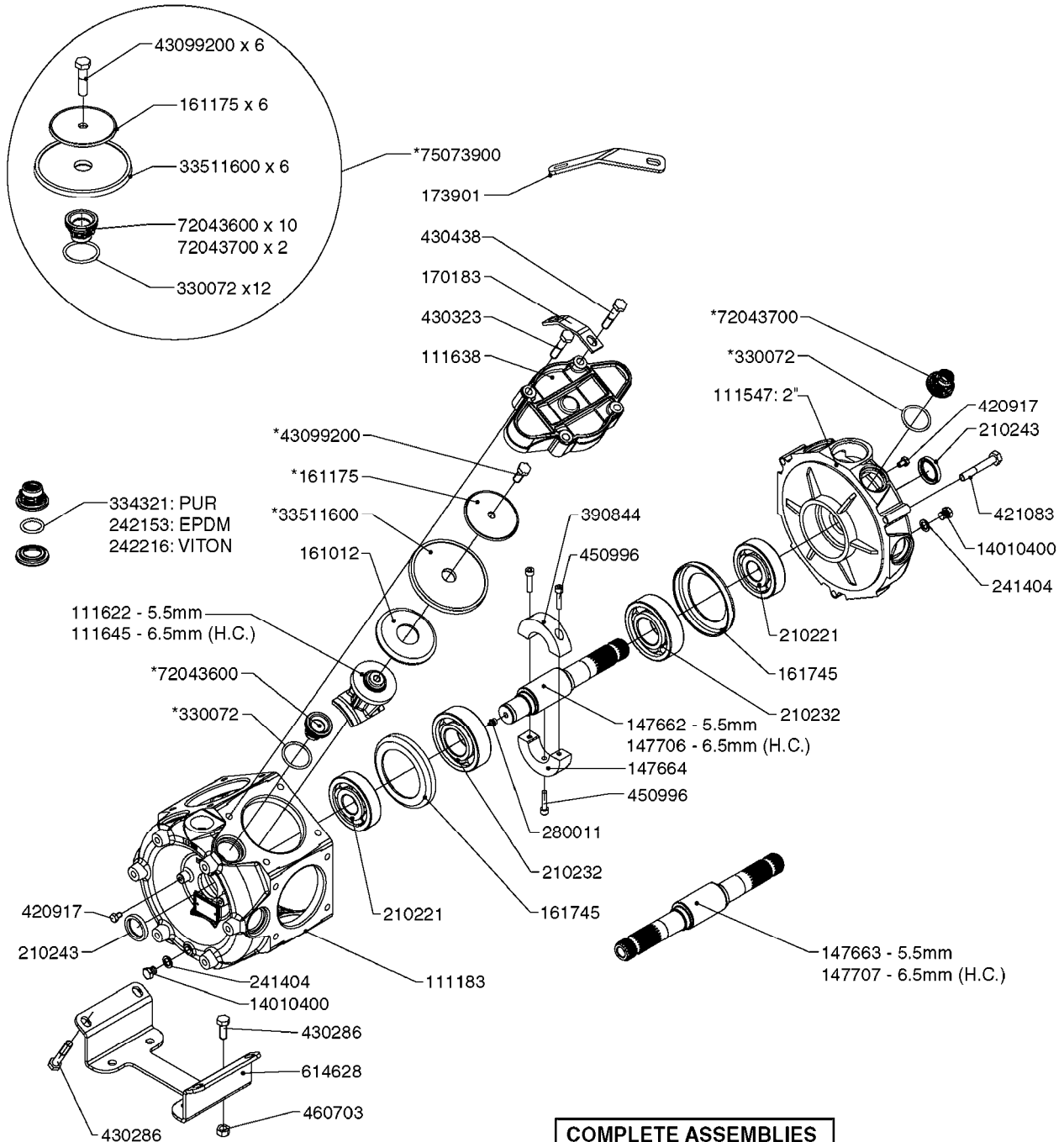


PUMP - 463 W/ MOUNTING BASE  
A0330-HIN, 01:01:16

Page 1

Date 12.08.2020 9:03

| parts-n° | order qty | description                       |
|----------|-----------|-----------------------------------|
| 111183   | 1         | PUMP CASTING 460-463 (PAINTED)    |
| 111547   | 1         | PUMP FRONT 460-463-2' (PAINT)     |
| 111623   | 1         | CONNECTING ROD 463/10MM           |
| 111624   | 1         | CONNECTING ROD 463/12MM           |
| 111638   | 1         | VALVE COVER 463 HC+1000 VERS.     |
| 143577   | 1         | CRANK SHAFT F.363/462/463-10mm    |
| 147097   | 1         | CRANK SHAFT 363-463/10 THROUGH    |
| 147571   | 1         | CRANK SHAFT F.463-12mm            |
| 147688   | 1         | CRANK SHAFT 462/12 THROUGH        |
| 161012   | 1         | DIAPHRAGM BACKING DISC F. 463     |
| 161175   | 1         | DIAPHRAGM DISC 463/464 PUMP       |
| 161745   | 1         | METAL SPACER F.363/463            |
| 173901   | 1         | LIFT STRAP F.PUMP 463             |
| 210221   | 1         | BEARING BALL 6407                 |
| 210232   | 1         | BEARING BALL 6310                 |
| 210243   | 1         | SEAL OIL 35 X 47 X 7              |
| 241404   | 1         | DOWTY SEAL 1/4"                   |
| 242153   | 1         | O-RING D26X4 EPDM                 |
| 242216   | 1         | O-RING VITON F/1202/1302/462      |
| 280011   | 1         | GREASE NIPPLE 1/8' SAE H TR       |
| 330072   | 1         | O-RING D53.5/D45.5X4              |
| 331192   | 1         | SPACER, MODEL 361/363             |
| 334321   | 1         | O-RING POLY. 34.0x26.0x4.0        |
| 421083   | 1         | BOLT HEX 8.8 DEL M10X65           |
| 430286   | 1         | BOLT HEX 8.8 DEL M12X30 FT        |
| 430323   | 1         | BOLT HEX 8.8 DEL M12X60           |
| 430438   | 1         | BOLT HEX 8.8 DEL M12X65           |
| 460703   | 1         | NUT HEX M12X1.75 LOCK DIN985A2 SS |
| 614628   | 1         | FOOT F. 46X PUMP, RED             |
| 821587   | 1         | PUMP 463/10 THROUGH SHAFT TWNF    |
| 14010400 | 1         | PLUG 1/4" BSP                     |
| 33511600 | 1         | DIAPHRAGM PUMP 463/464 PUMP PUR   |
| 43099200 | 1         | BOLT HEX SS M12 X 30 DIN933 A4    |
| 72043600 | 1         | VALVE FOR 462/463                 |
| 72043700 | 1         | VALVE FOR 462/463 W.VENT HOLE     |
| 75073900 | 1         | PUMP KIT 460/463 "06"             |
| 82166300 | 1         | PUMP 464-12-MED-2-540             |
| 82168700 | 1         | PUMP 464-12 540 OFFSET PORTS      |



**COMPLETE ASSEMBLIES  
WHOLEGOODS ITEMS**

**COMPLETE PUMPS**

- 821585 - 463/5.5 W/THROUGH SHAFT (1000 RPM)
- 821587 - 463/10 W/THROUGH SHAFT (540 RPM)
- 82169400 - 464/6.5 (1000 RPM - H.C. INLINE PORTS)
- 72293300 - 463/6.5 W/THROUGH SHAFT (1000 RPM)
- 463/12 (540 RPM H.C. OFFSET PORTS) REPLACED BY 82168700 (PAGE A0350)
- 463/6.5 (1000 RPM H.C. OFFSET PORTS) REPLACED BY 82168800 (PAGE A0350)

**A0340**



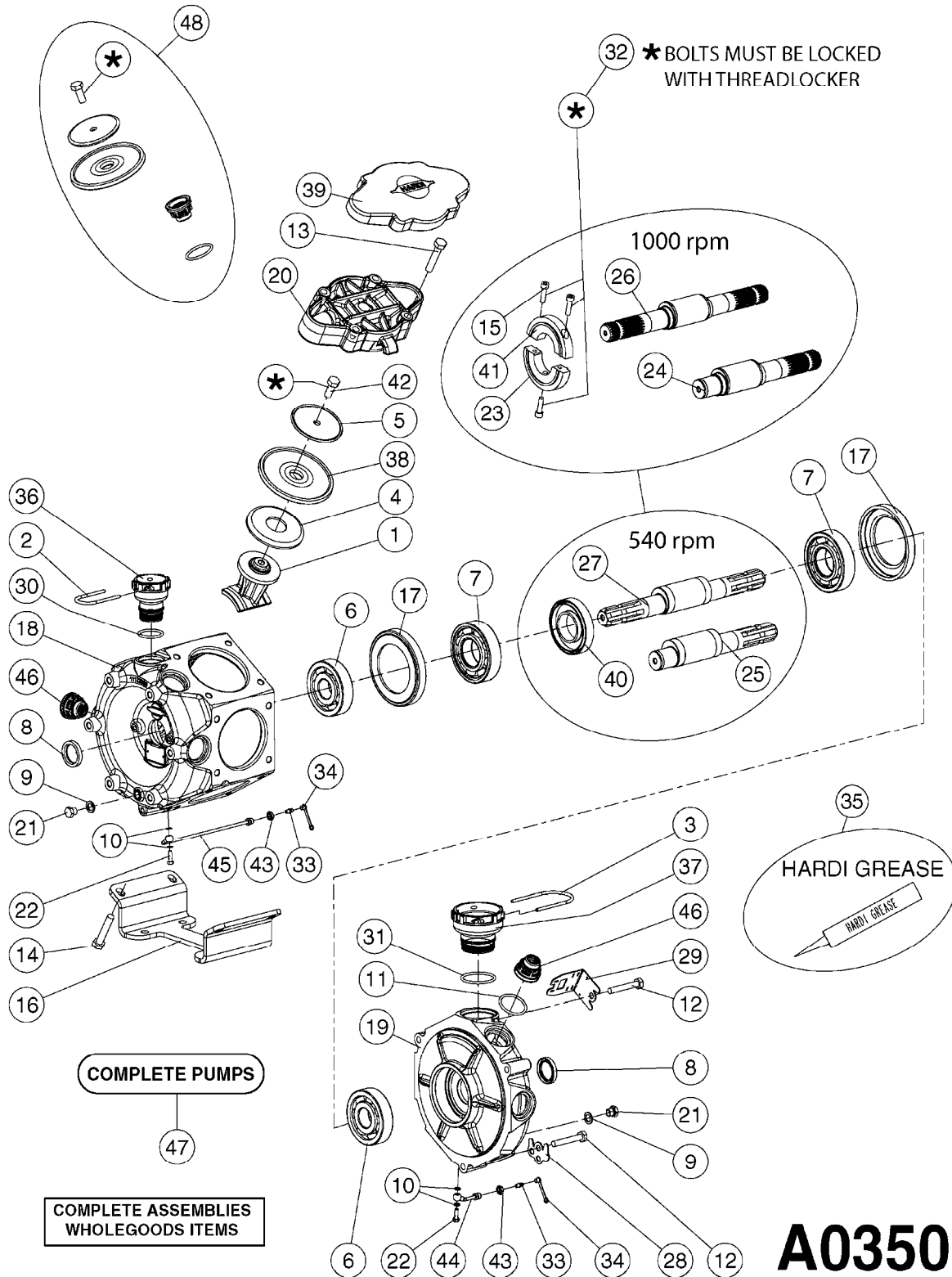
PUMP - 463/1000 RPM W/MOUNTING  
A0340-HIN, 01:01:16

Page 1

Date 12.08.2020 9:03

| parts-n° | order qty | description                       |
|----------|-----------|-----------------------------------|
| 111183   | 1         | PUMP CASTING 460-463 (PAINTED)    |
| 111547   | 1         | PUMP FRONT 460-463-2' (PAINT)     |
| 111622   | 1         | CONNECTING ROD 463/5.5MM          |
| 111638   | 1         | VALVE COVER 463 HC+1000 VERS.     |
| 111645   | 1         | CONNECTING ROD 463/6.5MM          |
| 147662   | 1         | CRANK SHAFT F.363/463-5.5MM       |
| 147663   | 1         | CRANK SHAFT 363/463-5.5 THROUG    |
| 147664   | 1         | COUNTERBALANCE 363/463 WEIGHT     |
| 147706   | 1         | CRANK SHAFT F.363/463-6.5MM       |
| 147707   | 1         | CRANK SHAFT 363/463-6.5 THROUG    |
| 161012   | 1         | DIAPHRAGM BACKING DISC F. 463     |
| 161175   | 1         | DIAPHRAGM DISC 463/464 PUMP       |
| 161745   | 1         | METAL SPACER F.363/463            |
| 170183   | 1         | LIFT STRAP F.PUMP 360/361/462     |
| 173901   | 1         | LIFT STRAP F.PUMP 463             |
| 210221   | 1         | BEARING BALL 6407                 |
| 210232   | 1         | BEARING BALL 6310                 |
| 210243   | 1         | SEAL OIL 35 X 47 X 7              |
| 241404   | 1         | DOWTY SEAL 1/4"                   |
| 242153   | 1         | O-RING D26X4 EPDM                 |
| 242216   | 1         | O-RING VITON F/1202/1302/462      |
| 280011   | 1         | GREASE NIPPLE 1/8' SAE H TR       |
| 330072   | 1         | O-RING D53.5/D45.5X4              |
| 334321   | 1         | O-RING POLY. 34.0x26.0x4.0        |
| 390844   | 1         | COUNTERBALANCE 363/463 POM        |
| 420917   | 1         | BOLT HEX 8.8 RAW M8X12 FT         |
| 421083   | 1         | BOLT HEX 8.8 DEL M10X65           |
| 430286   | 1         | BOLT HEX 8.8 DEL M12X30 FT        |
| 430323   | 1         | BOLT HEX 8.8 DEL M12X60           |
| 430438   | 1         | BOLT HEX 8.8 DEL M12X65           |
| 450996   | 1         | BOLT ALLEN M8X35 DIN 912 RAW      |
| 460703   | 1         | NUT HEX M12X1.75 LOCK DIN985A2 SS |
| 614628   | 1         | FOOT F. 46X PUMP, RED             |
| 821585   | 1         | PUMP 463/5.5 THRGH SHAFT 1000R    |
| 821587   | 1         | PUMP 463/10 THROUGH SHAFT TWNF    |
| 14010400 | 1         | PLUG 1/4" BSP                     |
| 33511600 | 1         | DIAPHRAGM PUMP 463/464 PUMP PUR   |
| 43099200 | 1         | BOLT HEX SS M12 X 30 DIN933 A4    |
| 72043600 | 1         | VALVE FOR 462/463                 |
| 72043700 | 1         | VALVE FOR 462/463 W.VENT HOLE     |
| 72293300 | 1         | PUMP 463/6.5 MED-2-1000-GG        |
| 75073900 | 1         | PUMP KIT 460/463 "06"             |
| 82168700 | 1         | PUMP 464-12 540 OFFSET PORTS      |
| 82168800 | 1         | PUMP 464 6.5 1000 OFFSET PORTS    |
| 82169400 | 1         | PUMP 464-6.5-STD-2-1000 FK        |







PUMP - 464 540/1000 RPM  
A0350-HIN, 23:04:19

Page 1  
Date 12.08.2020 9:03

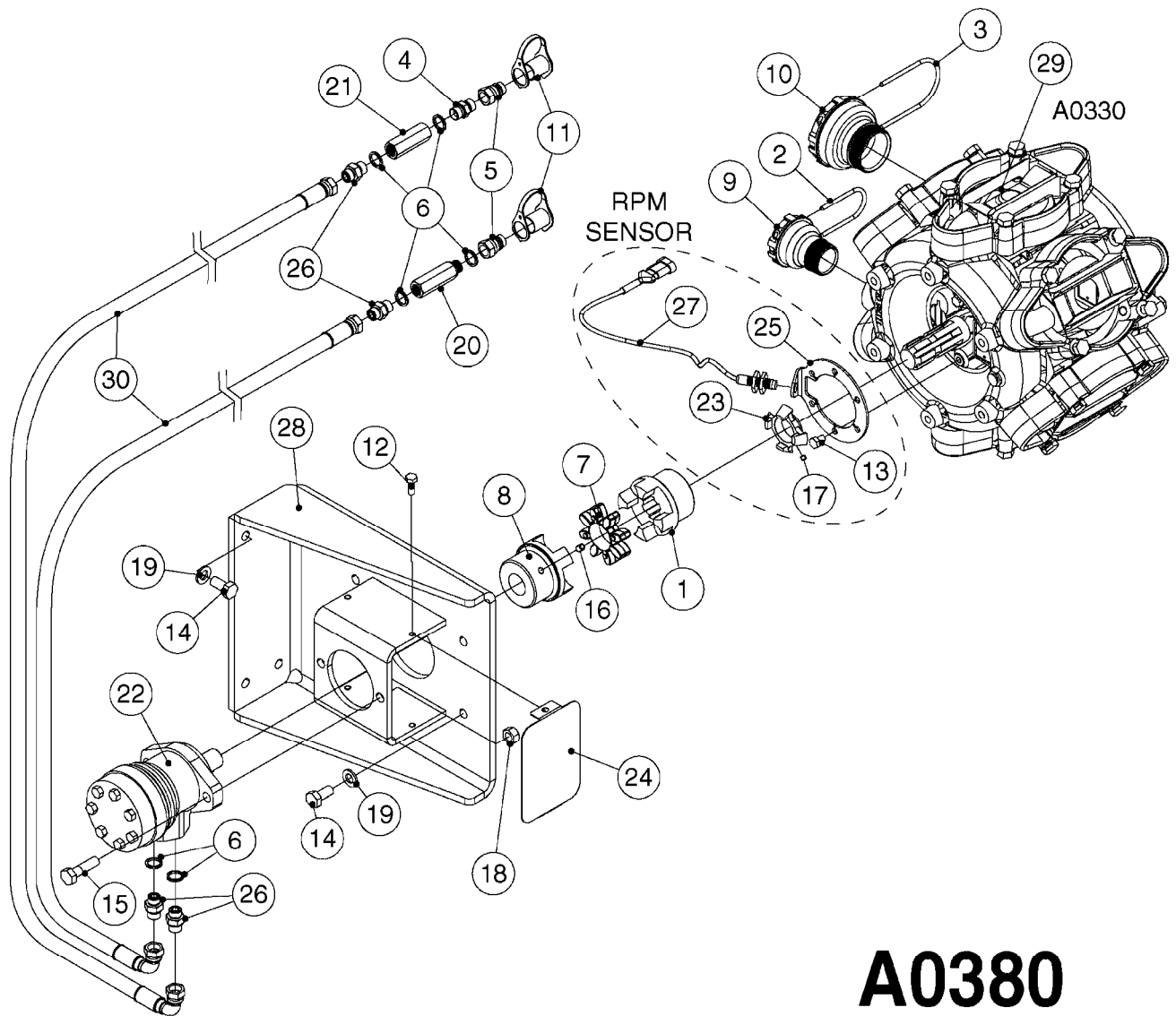
| Pos. | parts-n° | order qty | description                          |
|------|----------|-----------|--------------------------------------|
| 1    | 111622   | 1         | CONNECTING ROD 463/5.5MM             |
| 1    | 111623   | 1         | CONNECTING ROD 463/10MM              |
| 1    | 111624   | 1         | CONNECTING ROD 463/12MM              |
| 1    | 111645   | 1         | CONNECTING ROD 463/6.5MM             |
| 2    | 145996   | 1         | FITT.DK S-67 FORK                    |
| 3    | 145997   | 1         | FITT.DK S-93 FORK                    |
| 4    | 161012   | 1         | DIAPHRAGM BACKING DISC F. 463        |
| 5    | 161175   | 1         | DIAPHRAGM DISC 463/464 PUMP          |
| 6    | 210221   | 1         | BEARING BALL 6407                    |
| 7    | 210232   | 1         | BEARING BALL 6310                    |
| 8    | 210243   | 1         | SEAL OIL 35 X 47 X 7                 |
| 9    | 241404   | 1         | DOWTY SEAL 1/4"                      |
| 10   | 242374   | 1         | WASHER Ø10/Ø6X1 COPPER               |
| 11   | 330072   | 1         | O-RING D53.5/D45.5X4                 |
| 12   | 421072   | 1         | BOLT HEX 8.8 RAW M10X65              |
| 13   | 430312   | 1         | BOLT HEX 8.8 M12X60                  |
| 14   | 430438   | 1         | BOLT HEX 8.8 DEL M12X65              |
| 15   | 450995   | 1         | BOLT ALLEN M8X30 DIN 912 RAW         |
| 16   | 614628   | 1         | FOOT F. 46X PUMP, RED                |
| 16   | 16410800 | 1         | PUMP BASE 463/464 BLACK              |
| 17   | 11171900 | 1         | CONROD RING 364/464 MACHINED         |
| 18   | 11172200 | 1         | PUMP HOUSE 464 MACHINED 5/4" BSP RED |
| 19   | 11172600 | 1         | FRONTPART 464 MACHINED 2" BSP RED    |
| 20   | 11173000 | 1         | VALVE COVER.463/464 MACHINED RED     |
| 21   | 14010400 | 1         | PLUG 1/4" BSP                        |
| 22   | 14120400 | 1         | BANJOBOLT M6 X 19                    |
| 23   | 14120700 | 1         | COUNTERWEIGHT 364/464-1000           |
| 24   | 14137300 | 1         | CRANKSHAFT 364/464-5.5 1000          |
| 24   | 14137400 | 1         | CRANKSHAFT 364/464-6.5 1000          |
| 25   | 14137600 | 1         | CRANKSHAFT 364/464-10                |
| 25   | 14137700 | 1         | CRANKSHAFT 464-12                    |
| 26   | 14137900 | 1         | CRANKSHAFT 364/464-5.5 GG 1000       |
| 26   | 14138000 | 1         | CRANKSHAFT 364/464-6.5 GG 1000       |
| 27   | 14138200 | 1         | CRANKSHAFT 364/464-10 GG             |
| 27   | 14138300 | 1         | CRANKSHAFT 464-12 GG                 |
| 28   | 16383000 | 1         | GREASE NIPPLE PLATE 464              |
| 29   | 16390600 | 1         | BRACKET FOR RPM SENSOR               |
| 30   | 24266600 | 1         | O-RING D 38,0 X 4,0 70SH.NITR        |
| 31   | 24266800 | 1         | O-RING D 54,0 X 4,0 70SH.NITR        |
| 32   | 28045503 | 1         | LOCTITE 262 .5ML (.017oz.)           |
| 33   | 28163300 | 1         | GREASE NIPPLE H1 M6X1 DIN 7412       |
| 34   | 28163400 | 1         | CAP F. GREASENIPPLE YELLOW M6X1      |
| 35   | 28164600 | 1         | HARDI PUMP GREASE S3 V550L 1         |
| 36   | 32242200 | 1         | FITTING S67 5/4" KON. RG 2014        |
| 37   | 32242400 | 1         | FITTING S93 2" KON. RG 2014          |
| 38   | 33511600 | 1         | DIAPHRAGM PUMP 463/464 PUMP PUR      |
| 39   | 33524000 | 1         | COVER PLASTIC 464 PUMP               |
| 40   | 33527200 | 1         | GREASE SPLIT 364/464                 |
| 41   | 39136200 | 1         | HALFPART 364/464-1000                |
| 42   | 43099200 | 1         | BOLT HEX SS M12 X 30 DIN933 A4       |
| 43   | 46134000 | 1         | NUT HEX M10x1 H=2.3 NV=14 ELZIN      |
| 44   | 61097000 | 1         | BANJOTUBE SHORT 464 COMPL.           |
| 45   | 61097100 | 1         | BANJOTUBE LONG 464 COMPL.            |
| 46   | 72043600 | 1         | VALVE FOR 462/463                    |
| 47   | 72993500 | 1         | PUMP 464-12-540, CM                  |
| 47   | 72993600 | 1         | PUMP 464-6.5 MED-2-1000              |
| 47   | 82168100 | 1         | PUMP 464-5.5 THROUGH SHAFT 1000RPM   |
| 47   | 82168200 | 1         | PUMP 464-10 2" SUCT. 540RPM          |
| 47   | 82168500 | 1         | PUMP 464-12 2" SUCT. 540 RPM         |
| 47   | 82168700 | 1         | PUMP 464-12 540 OFFSET PORTS         |
| 47   | 82168800 | 1         | PUMP 464 6.5 1000 OFFSET PORTS       |



PUMP - 464 540/1000 RPM  
A0350-HIN, 23:04:19

Page 2  
Date 12.08.2020 9:03

| Pos. | parts-n° | order qty | description                |
|------|----------|-----------|----------------------------|
| 47   | 82169000 | 1         | PUMP 464-10-MOD-2-540      |
| 47   | 82169400 | 1         | PUMP 464-6.5-STD-2-1000 FK |
| 48   | 75586000 | 1         | PUMP KIT 464               |



**A0380**



PUMP - 463 FLEX CAPACITY  
A0380-HIN, 07:11:16

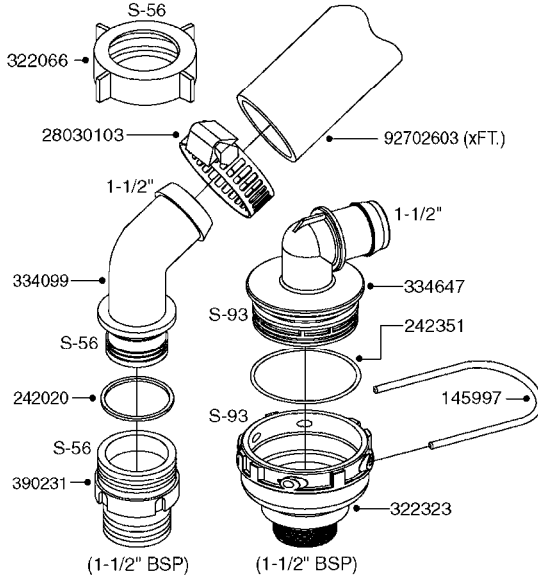
Page 1

Date 12.08.2020 9:03

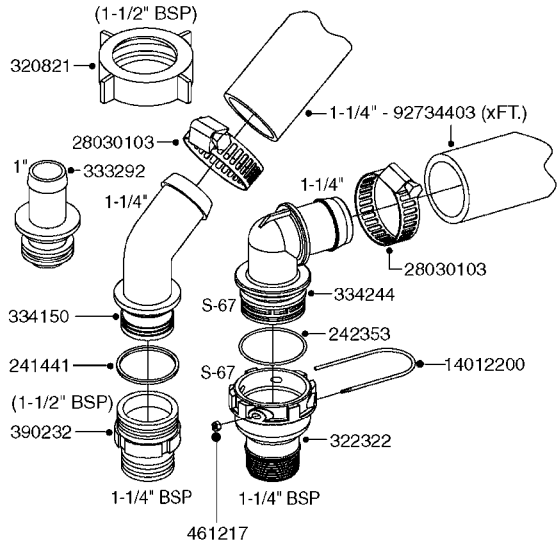
| Pos. | parts-n° | order qty | description                                      |
|------|----------|-----------|--|
| 1    | 111438   | 1         | HUB F.CLUTCH 361/460 PUMP                        |
| 2    | 145996   | 1         | FITT.DK S-67 FORK                                |
| 3    | 145997   | 1         | FITT.DK S-93 FORK                                |
| 4    | 147132   | 1         | HEX NIPPLE 1/2"X1/2" BSP DEL                     |
| 5    | 230311   | 1         | QUICK COUPLING 1/2"                              |
| 6    | 241356   | 1         | DOWTYSEAL 1/2"                                   |
| 7    | 283916   | 1         | TOOTHED RIM FOR CLUTCH                           |
| 8    | 284521   | 1         | COUPLING HALF CYL.D25MM-KEY                      |
| 9    | 322322   | 1         | FITT.DK S-67 X 1-1/4"BSP MALE                    |
| 10   | 322324   | 1         | FITTING S93 FEMALE - BSP 2" MALE                 |
| 11   | 334206   | 1         | DUST HOOD FOR HY-COUPLING                        |
| 12   | 420582   | 1         | BOLT HEX 8.8 DEL M8X20 FT A2                     |
| 13   | 420917   | 1         | BOLT HEX 8.8 RAW M8X12 FT                        |
| 14   | 430522   | 1         | BOLT HEX 8.8 DEL M12X25 FT                       |
| 15   | 430878   | 1         | BOLT HEX 8.8 DEL M12X45 DIN931                   |
| 16   | 450052   | 1         | SCREW SET M8X10 BLACK ALLAN                      |
| 17   | 450645   | 1         | SCREW ALLAN M6 X 6 SS                            |
| 18   | 460703   | 1         | NUT HEX M12X1.75 LOCK DIN985A2 SS                |
| 19   | 471127   | 1         | WASHER, M12, Ø24/13X24X2.5 SS                    |
| 20   | 782153   | 1         | PRESS. FLOW VALVE 1/2", 32L/MIN, PAINTED (BLACK) |
| 21   | 782154   | 1         | CHECK VALVE 284794 (BLACK)                       |
| 22   | 783010   | 1         | MOTOR HYDRAULIC OMR50, BLACK                     |
| 23   | 14117800 | 1         | ROTOR RPM SENSOR 4-POL                           |
| 24   | 16154400 | 1         | COVER PLATE F. FLEX PUMP MT., BLACK              |
| 25   | 16382700 | 1         | PLATE 3 X 148 X 116 / BEND                       |
| 26   | 23235300 | 1         | HEX NIPPLE 1/2"-13/16"                           |
| 27   | 28120200 | 1         | INDUCTIVE SENSOR M12 0.25M CABLE                 |
| 28   | 61038400 | 1         | BRACKET FLEX PUMP MOUNT NCM, BLACK               |
| 29   | 72363900 | 1         | PUMP 463/10-MOD-2-540                            |
| 30   | 78571100 | 1         | HOSE HY X 1/2" X 248" STR+ELB                    |



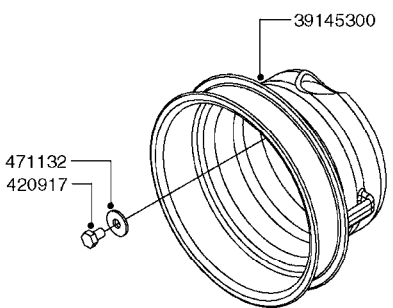
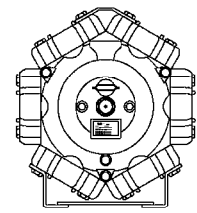
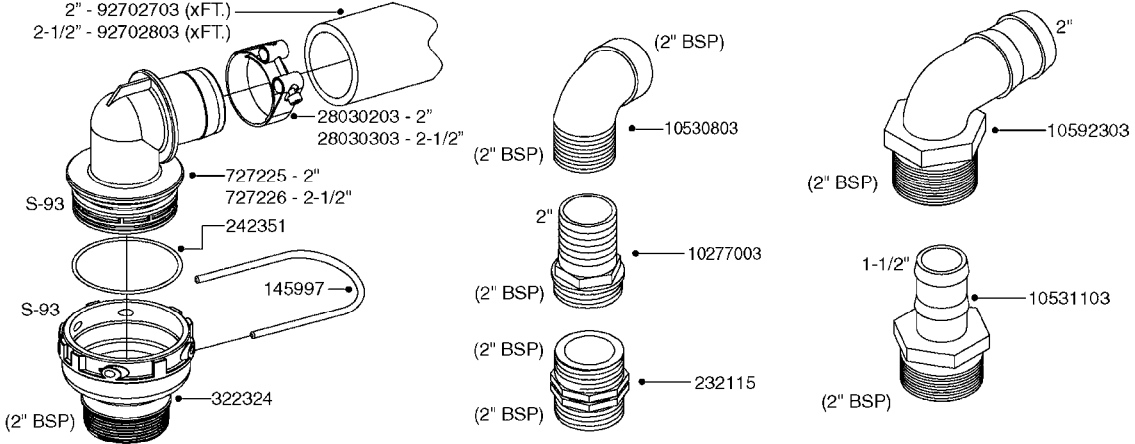
**SUCTION SIDE OF PUMP (WITH 1-1/2" SUCTION PORT)**



**PRESSURE SIDE OF PUMP**



**SUCTION SIDE OF PUMP (WITH 2" SUCTION PORT)**



**COMPLETE PUMP**  
(NLA) REPLACED BY 464 PUMP (SEE PAGE A0350)

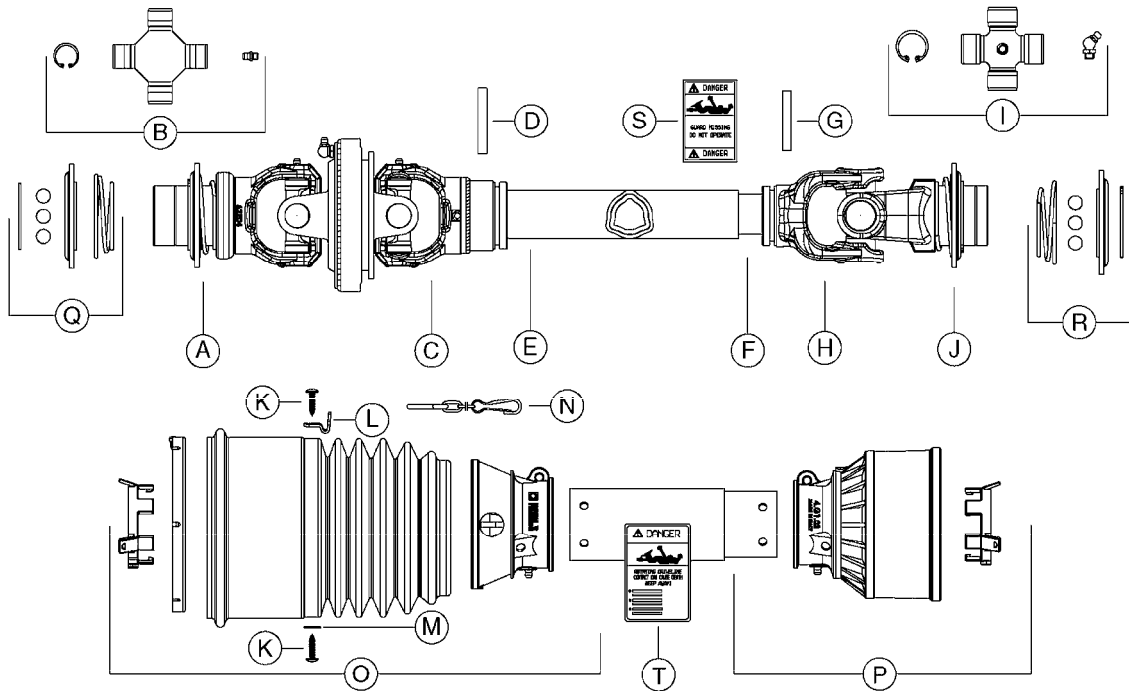
**A0390**



PUMP - 460/462/463 FITTINGS  
A0390-HIN, 28:05:19

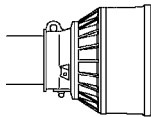
Page 1  
Date 12.08.2020 9:03

| parts-n° | order qty | description                      |
|----------|-----------|----------------------------------|
| 145997   | 1         | FITT.DK S-93 FORK                |
| 232115   | 1         | FITT HEX NIPPLE 2'-2' BSP        |
| 241441   | 1         | O-RING D29.3X3                   |
| 242020   | 1         | O-RING 39.2 X 3 VITON            |
| 242351   | 1         | O-RING D69.5X3.0 VITON F.S-93    |
| 242353   | 1         | O-RING 3 X 44.2 VITON            |
| 320821   | 1         | FITT.DK NUT 1-1/2" BSP           |
| 322066   | 1         | FITT.DK S-56 NUT                 |
| 322322   | 1         | FITT.DK S-67 X 1-1/4"BSP MALE    |
| 322323   | 1         | FITT.DK S-93 X 1-1/2"BSP MALE    |
| 322324   | 1         | FITTING S93 FEMALE - BSP 2" MALE |
| 333292   | 1         | FITT.DK HB 1"O'RING F.1-1/2"     |
| 334099   | 1         | FITT.DK S-61 ELB.1-1/2"110 DEG   |
| 334150   | 1         | FITT.DK HB 1-1/4" 110 F.1-1/2"   |
| 334244   | 1         | FITT.DK S-67 ELB.1-1/4"          |
| 334647   | 1         | FITT.DK S93 ELB 1-1/2" 90 PVC    |
| 390231   | 1         | FITT.DK NIPPLE 1-1/2 X S56       |
| 390232   | 1         | FITT.DK HN 1-1/2' X 1-1/4' BSP   |
| 420917   | 1         | BOLT HEX 8.8 RAW M8X12 FT        |
| 461217   | 1         | NUT HEX M5 LOCK                  |
| 471132   | 1         | WASHER D24/D8.4 X 2 SS           |
| 727225   | 1         | FITT.DK S-93 ELB.2'PVC W/ORING   |
| 727226   | 1         | HOSETAIL S93 2"1/2 90°+O-RING    |
| 10277003 | 1         | FITT.PO.HB 2.00X2.00 MCPHEE      |
| 10530803 | 1         | FITT.PO.SE 2.00X2.00 45 DEG.     |
| 10531103 | 1         | FITT.PO.HB 2.00"NPT X 1.50"HOS   |
| 10592303 | 1         | FITT.PO.HB 2.00X 2.00BSP 90DEG   |
| 14012200 | 1         | FITT.DK S-67 FORK W/M5 THREADS   |
| 28030103 | 1         | CLAMP HOSE GEAR P5/4-S1.5"6724   |
| 28030203 | 1         | CLAMP HOSE T-BOLT S2" 235-67     |
| 28030303 | 1         | CLAMP HOSE T-BOLT S2.5" 235-76   |
| 39145300 | 1         | PTO SHIELD Ø203 4-POLET MACHINED |
| 92702603 | 1         | HOSE PVC SUCT GRAY 1-1/2"        |
| 92702703 | 1         | HOSE PVC SUCT GRAY 2"            |
| 92702803 | 1         | HOSE PVC SUCT GRAY 2.5"          |
| 92734403 | 1         | HOSE R X5/4" X200PSI WP X0012"   |

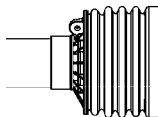


**COMPLETE ASSEMBLIES  
WHOLEGOODS ITEMS**

100 SERIES



G-SERIES



| PTO #     | 28035003 *       | 28035103 *       |
|-----------|------------------|------------------|
| TRACTOR   | 1-3/8" 21 SPLINE | 1-3/4" 20 SPLINE |
| IMPLEMENT | 1-3/8" 21 SPLINE | 1-3/8" 21 SPLINE |
| LENGTH    | 1210/1890        | 1210/1890        |
| A         | 28040203         | 28041303         |
| B         | 28040303         | 28040303         |
| C         | 28040403         | 28040403         |
| D         | 28009803         | 28009803         |
| E         | 28009003         | 28009003         |
| F         | 28009103         | 28009103         |
| G         | 28009903         | 28009903         |
| H         | 28010103         | 28010103         |
| I         | 28040503         | 28009403         |
| J         | 28040603         | 28027803         |
| K         | 28040903         | 28040903         |
| L         | 28041703         | 28041703         |
| M         | 28041603         | 28041603         |
| N         | 28040703         | 28040703         |
| O         | 28041103         | 28041103         |
| P         | 28041203         | 28041503         |
| Q         | 28040803         | 28041403         |
| R         | 28041003         | XXXXXXXX         |
| S         | 28041803         | 28041803         |
| T         | 28041903         | 28041903         |

\* Changed in 2016 from 100 series to G-Series (see page A0610).

**A0560**

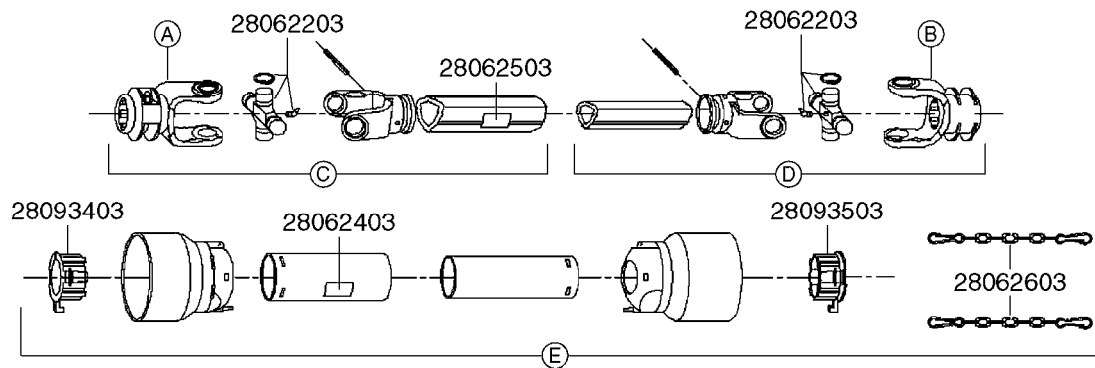




C.V.PTO-BLACK TRIANG. (POST'05)  
A0560-HIN, 23:10:18

Page 1  
Date 12.08.2020 9:03

| parts-n° | order qty | description                    |
|----------|-----------|--------------------------------|
| 28009003 | 1         | PTO TUBE OUTER F.CV 1060MM     |
| 28009103 | 1         | PTO TUBE INNER F.CV 1060MM     |
| 28009403 | 1         | UNIV. JOINT 27x74.6mm          |
| 28009803 | 1         | PTO PIN TUBE RETAINER OUTER    |
| 28009903 | 1         | PTO TUBE RETAINER INNER        |
| 28010103 | 1         | PTO YOKE F.INNER TUBE CV PTO   |
| 28027803 | 1         | PTO YOKE 1-3/8X21SPL BALL LOCK |
| 28035003 | 1         | PTO 1-3/8/21X1-3/8/21X1260 CV  |
| 28035103 | 1         | PTO 1-3/4/20X1-3/8/21X1260 CV  |
| 28040203 | 1         | PTO YOKE 1-3/8X21SPL SLIP F.CV |
| 28040303 | 1         | UNIV. JOINT 22x86mm CV BLK.    |
| 28040403 | 1         | PTO YOKE INNER F.CV PTO SHAFT  |
| 28040503 | 1         | UNIV. JOINT 27x74.6mm          |
| 28040603 | 1         | PTO YOKE 1-3/8X21SPL BLACK     |
| 28040703 | 1         | SAFETY CHAIN F.CV BLACK PTO    |
| 28040803 | 1         | PTO REPAIR KIT F.PUSH YOKE CV  |
| 28040903 | 1         | SELF TAPPING SHIELDING SCREW   |
| 28041003 | 1         | PTO REPAIR KIT F.PUSH YOKE     |
| 28041103 | 1         | PTO HALF SAFETY SHIELD BLACK   |
| 28041203 | 1         | PTO HALF SAFETY SHIELD BLACK   |
| 28041303 | 1         | PTO YOKE 1-3/4X20SPL SLIP F.CV |
| 28041403 | 1         | PTO REPAIR KIT F.PUSH YOKE CV  |
| 28041503 | 1         | PTO HALF SAFETY SHIELD BLACK   |
| 28041603 | 1         | WASHER F.SHIELDING SCREW BLACK |
| 28041703 | 1         | ANCHOR F.RETAINING CHAIN BLACK |
| 28041803 | 1         | DECAL DANGER GUARD MISSING     |
| 28041903 | 1         | DECAL DANGER ROT.DRIVELINE     |



| PTO #     | 829482          | 829483          | 829484          | 829487          |
|-----------|-----------------|-----------------|-----------------|-----------------|
| TRACTOR   | 1-3/8" 6 SPLINE | 1-3/8" 6 SPLINE | 1-3/8" 6 SPLINE | 1-3/8" 6 SPLINE |
| IMPLEMENT | 25 mm           | 30 mm           | 1-3/8" 6 SPLINE | 1-3/8" 6 SPLINE |
| LENGTH    | 610/800         | 610/800         | 610/800         | 860/1050        |
| A         | 28062103        | 28062103        | 28062103        | 28062103        |
| B         | 28062303        | 28063003        | 28062103        | 28062103        |
| C         | 28062703        | 28062703        | 28062703        | 28063403        |
| D         | 28062803        | 28063103        | 28063203        | 28063503        |
| E         | 28062903        | 28062903        | 28062903        | 28063303        |

Note: For "Bondioli" PTO's (previous supplier) - see page A0510.

COMPLETE ASSEMBLIES  
WHOLEGOOD ITEMS

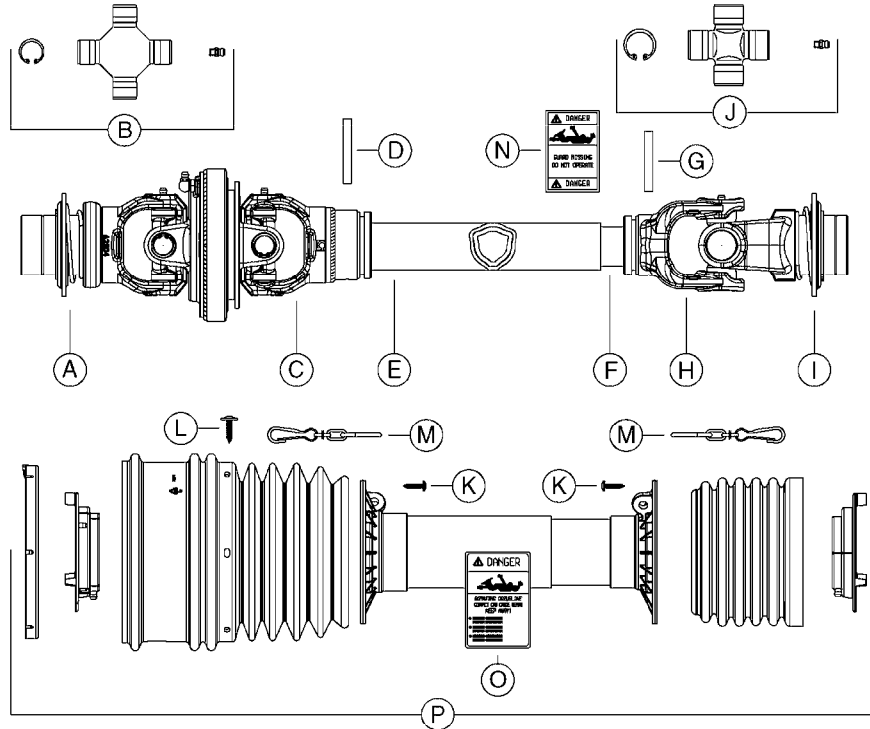
# A0580



PTO SHAFTS - AMA DIAPHRAGM  
A0580-HIN, 01:01:16

Page 1  
Date 12.08.2020 9:03

| parts-n° | order qty | description                   |
|----------|-----------|-------------------------------|
| 829482   | 1         | PTO 1-3/8/6X25MM X 600MM 1202 |
| 829483   | 1         | PTO 1-3/8/6X30MM x 610MM 1302 |
| 829484   | 1         | PTO 1-3/8/6X1-3/8/6X575MM 361 |
| 829487   | 1         | PTO 1-3/8/6X1-3/8/6X870MM 361 |
| 28062103 | 1         | PTO YOKE 1-3/8X6 AMA          |
| 28062203 | 1         | UNIV.JOINT CAT.1 AMA          |
| 28062303 | 1         | PTO YOKE D25 AMA              |
| 28062403 | 1         | DECAL - DANGER ROTATING SHAFT |
| 28062503 | 1         | DECAL - DANGER MISSING GUARD  |
| 28062603 | 1         | SAFETY CHAIN F.PTO AMA        |
| 28062703 | 1         | PTO OUTER 1-3/8X6 (NO SHIELD) |
| 28062803 | 1         | PTO INNER D25 (NO SHIELD)     |
| 28062903 | 1         | PTO SHIELD COMPLETE           |
| 28063003 | 1         | PTO YOKE D30 AMA              |
| 28063103 | 1         | PTO INNER D30 (NO SHIELD)     |
| 28063203 | 1         | PTO INNER 1-3/8X6 (NO SHIELD) |
| 28063303 | 1         | PTO SHIELD COMPLETE           |
| 28063403 | 1         | PTO OUTER 1-3/8X6 (NO SHIELD) |
| 28063503 | 1         | PTO INNER 1-3/8X6 (NO SHIELD) |
| 28093403 | 1         | PTO OUTER TUBE BEARING AMA    |
| 28093503 | 1         | PTO INNER TUBE BEARING AMA    |



| PTO #     | 28035003         | 28035103         | 28035203         |
|-----------|------------------|------------------|------------------|
| TRACTOR   | 1-3/8" 21 SPLINE | 1-3/4" 20 SPLINE | 1-3/4" 20 SPLINE |
| IMPLEMENT | 1-3/8" 21 SPLINE | 1-3/8" 21 SPLINE | 1-3/8" 21 SPLINE |
| LENGTH    | 1034/1219        | 1087/1313        | 1058/1324        |
| A         | 28040203         | 28041303         | 28042003         |
| B         | 28040303         | 28040303         | 28089203         |
| C         | 28040403         | 28040403         | 28099303         |
| D         | 28009803         | 28009803         | 10627103         |
| E         | 28009003         | 28009003         | 28099503         |
| F         | 28099203         | 28099203         | 28099703         |
| G         | 28009903         | 28009903         | 28100003         |
| H         | 28010103         | 28010103         | 28098903         |
| I         | 28040603         | 28010203         | 28100603         |
| J         | 28100403         | 28100403         | 28100503         |
| K         | 28040903         | 28040903         | 28040903         |
| L         | 28099803         | 28099803         | 28099803         |
| M         | 28040703         | 28040703         | 28040703         |
| N         | 28041803         | 28041803         | 28041803         |
| O         | 28041903         | 28041903         | 28041903         |
| P         | 28098103         | 28098103         | 28094003         |

FOR PRE-2016 100 SERIES PTO PARTS  
SEE PAGES A0510, A0520, A0560, A0570

COMPLETE ASSEMBLIES  
WHOLEGOODS ITEMS

**A0610**



C.V. PTO SHAFTS - BONDIOLI  
G-SERIES  
A0610-HIN, 23:10:18

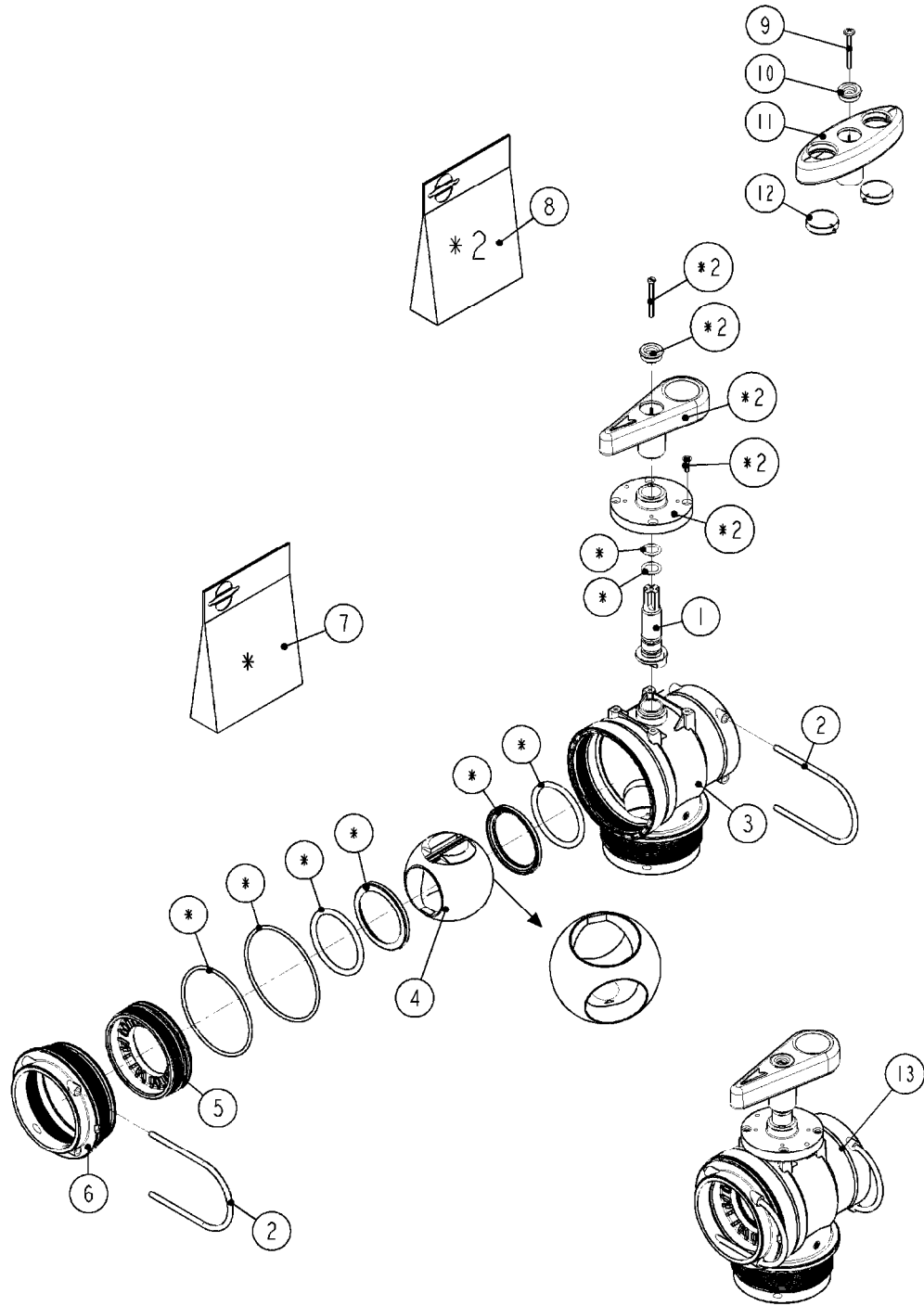
Page 1  
Date 12.08.2020 9:03

| parts-n° | order qty | description                        |
|----------|-----------|------------------------------------|
| 10627103 | 1         | PTO PIN TUBE RETAINER CV OUTER     |
| 28009003 | 1         | PTO TUBE OUTER F.CV 1060MM         |
| 28009803 | 1         | PTO PIN TUBE RETAINER OUTER        |
| 28009903 | 1         | PTO TUBE RETAINER INNER            |
| 28010103 | 1         | PTO YOKE F.INNER TUBE CV PTO       |
| 28010203 | 1         | PTO YOKE 1-3/8X21SPL               |
| 28035003 | 1         | PTO 1-3/8/21X1-3/8/21X1260 CV      |
| 28035103 | 1         | PTO 1-3/4/20X1-3/8/21X1260 CV      |
| 28035203 | 1         | PTO 1-3/4/20X1-3/8/21X1210 CVH     |
| 28040203 | 1         | PTO YOKE 1-3/8X21SPL SLIP F.CV     |
| 28040303 | 1         | UNIV. JOINT 22x86mm CV BLK.        |
| 28040403 | 1         | PTO YOKE INNER F.CV PTO SHAFT      |
| 28040603 | 1         | PTO YOKE 1-3/8X21SPL BLACK         |
| 28040703 | 1         | SAFETY CHAIN F.CV BLACK PTO        |
| 28040903 | 1         | SELF TAPPING SHIELDING SCREW       |
| 28041303 | 1         | PTO YOKE 1-3/4X20SPL SLIP F.CV     |
| 28041803 | 1         | DECAL DANGER GUARD MISSING         |
| 28041903 | 1         | DECAL DANGER ROT.DRIVELINE         |
| 28042003 | 1         | PTO YOKE 1-3/4X20SPL SLIP F.CV     |
| 28089203 | 1         | UNIV.JOINT 27X100MM F.CV           |
| 28094003 | 1         | PTO SHIELD COMPLETE BLACK          |
| 28098103 | 1         | PTO SHIELD COMPLETE BLACK          |
| 28098903 | 1         | PTO TUBE YOKE #6-G7 INNER          |
| 28099203 | 1         | PTO TUBE INNER #4 1050MM           |
| 28099303 | 1         | PTO TUBE YOKE G7 OUTER             |
| 28099503 | 1         | PTO TUBE OUTER 1040MM              |
| 28099703 | 1         | PTO TUBE INNER #6 1050MM           |
| 28099803 | 1         | SELF TAPPING SCREW 4.8X22          |
| 28100003 | 1         | ROLL PIN 10X65                     |
| 28100403 | 1         | UNIV. JOINT S4-G4 27X74.6MM        |
| 28100503 | 1         | UNIV. JOINT S7-G7 30.2X91.5MM      |
| 28100603 | 1         | PTO YOKE 1-3/8"X21 S7-G7 BALL LOCK |



S93 SUCTION VALVE 05  
B410-HIA, 07:05:20

Page 0  
Date 12.08.2020 9:03



**B410-HIA**

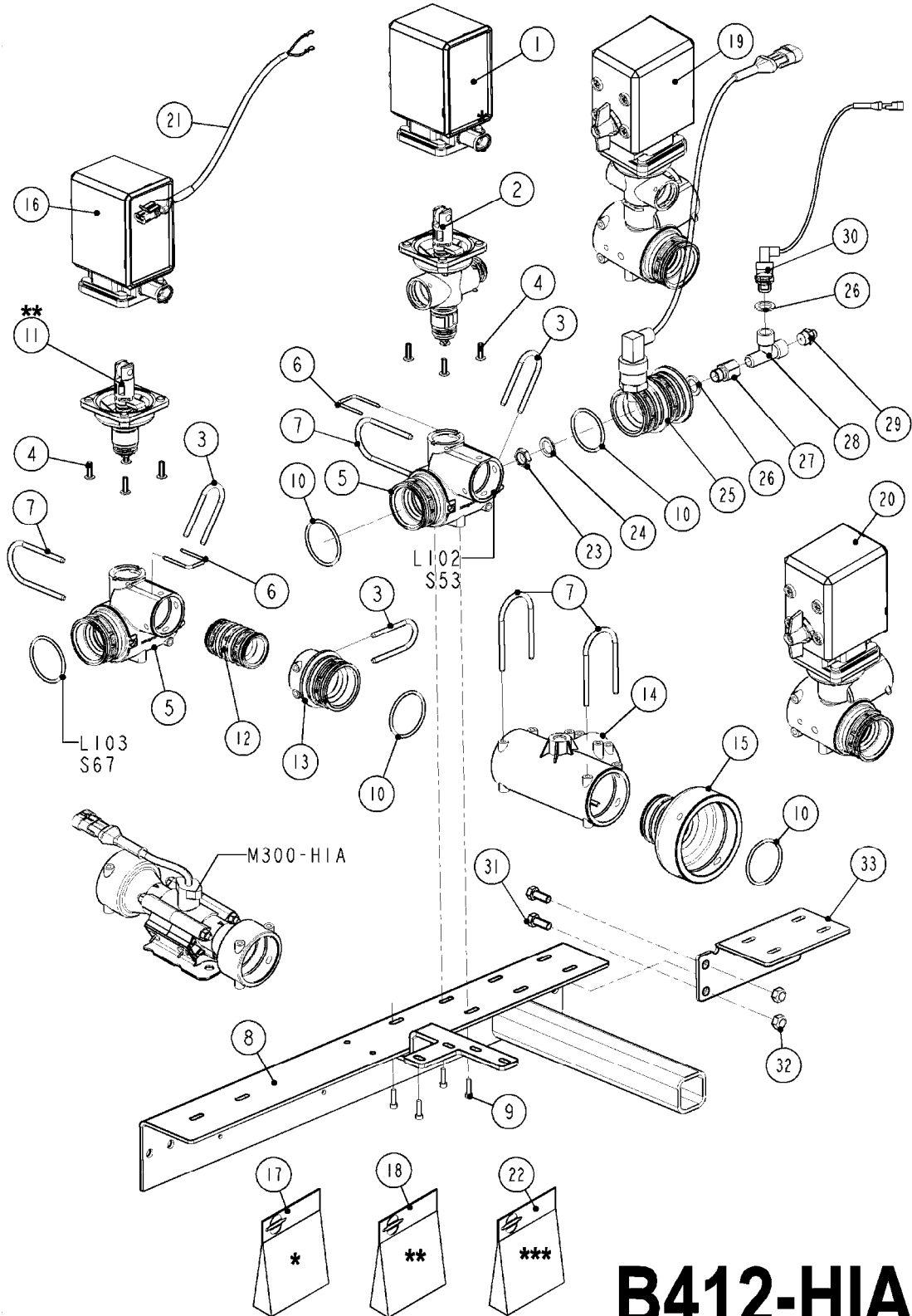


S93 SUCTION VALVE 05  
B410-HIA, 07:05:20

Page 1

Date 12.08.2020 9:03

| Pos. | parts-n° | order qty | description                    |
|------|----------|-----------|--------------------------------|
| 1    | 14039700 | 1         | DRIVER                         |
| 2    | 145997   | 1         | FITT.DK S-93 FORK              |
| 3    | 322349   | 1         | HOUSING F.3WAY VALVE-93 322327 |
| 4    | 390544   | 1         | BALL FOR S93 VALVE, 3 HOLES    |
| 5    | 322354   | 1         | THRUST PLATE F.3-WAY VALVES-93 |
| 6    | 322218   | 1         | END CAP F.VALVE S-93           |
| 7    | 741726   | 1         | REPAIR KIT F.S93 VALVE VIT.'02 |
| 8    | 741831   | 1         | HANDLE KIT S93 SUCTION VALVE   |
| 9    | 440729   | 1         | SCREW F. PLASTIC 4MM X40LG SS  |
| 10   | 334594   | 1         | PLUG F.VALVE HANDLE BLACK      |
| 11   | 33514400 | 1         | HANDLE FOR 2 ICONS 07          |
| 12   | 33514500 | 1         | PLUG FOR HANDLE ,2 ICONS       |
| 13   | 72293600 | 1         | VALVE-S93-FILLING-ON/OFF       |



# B412-HIA





DISTRIBUTOR EFC DIVIDED (05)  
B412-HIA, 27:04:16

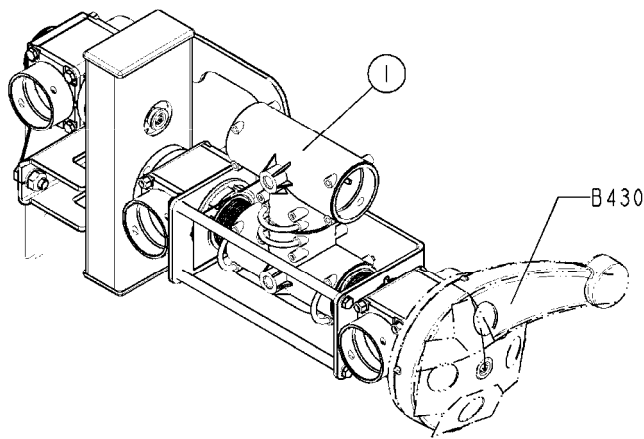
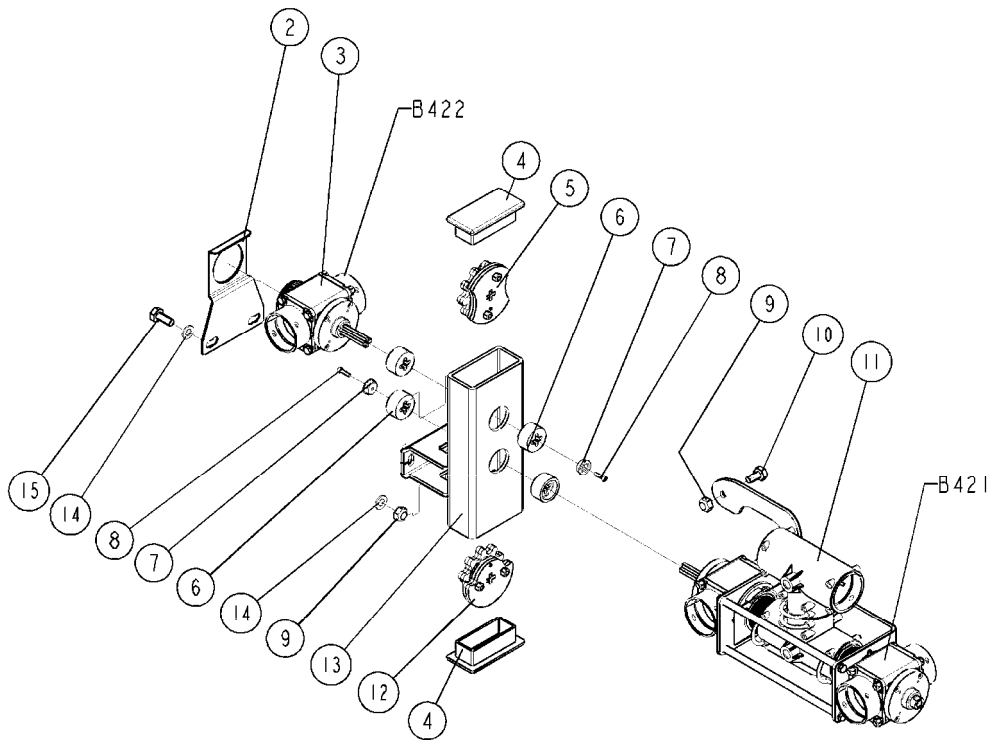
Page 1

Date 12.08.2020 9:03

| Pos. | parts-n° | order qty | description  |
|------|----------|-----------|--|
| 1    | 72087800 | 1         | MOTOR HOUSING DIST 1:300                                 |
| 2    | 72591700 | 1         | SPINDLE SECT.W/O CONS.PRESSURE                           |
| 3    | 145995   | 1         | FITT.DK S-53 FORK  |
| 4    | 440675   | 1         | SCREW F. PLASTIC 5X16 SS                                 |
| 5    | 33502400 | 1         | DISTRIBUTION HOUSING EFC                                 |
| 6    | 270211   | 1         | FITT.DK S25 FORK L=37.5                                  |
| 7    | 145996   | 1         | FITT.DK S-67 FORK  |
| 8    | 61032800 | 1         | BRACKET F. EFC SEC.VALVES <4>6                           |
| 9    | 450902   | 1         | BOLT ALLEN HEAD M4 X 16MM                                |
| 10   | 241973   | 1         | O-RING Ø3 X 44.2 70 SHORES NITRIL                        |
| 10   | 242353   | 1         | O-RING 3 X 44.2 VITON                                    |
| 11   | 72267200 | 1         | SPINDLE, BYPASS VALVE NCM                                |
| 12   | 72114300 | 1         | FITT. DK S-53 MALE MALE W.ORIN                           |
| 13   | 334564   | 1         | FITT.DK S-67 TO S-53 ADAPTER                             |
| 14   | 322224   | 1         | FITT.DK S-67 TEE   |
| 15   | 33500700 | 1         | FITT.DK ADAPTER S-93F S67M                               |
| 16   | 72087800 | 1         | MOTOR HOUSING DIST 1:300                                 |
| 17   | 741822   | 1         | SEAL KIT - 1 SECTION (05)                                |
| 18   | 755726   | 1         | O-RING KIT F.EC/ESC SEC.VALVE                            |
| 19   | 72233700 | 1         | SECTION VALVE, EFC, 1:300                                |
| 20   | 72284000 | 1         | BYPASS VALVE, EFC, 1:300                                 |
| 21   | 73124300 | 1         | CABLE AMP SS 2P 2.8 SPADE L=600mm                        |
| 22   | 74196100 | 1         | BAG OF 10 PCS. 241973 O-RINGS                            |
| 23   | 141341   | 1         | NUT 1/4' BSP   |
| 24   | 145631   | 1         | WASHER D21.5/D13.5X2.5 BRASS                             |
| 25   | 391135   | 1         | FITT. S67 PLUG W/13.2Ø HOLE                              |
| 26   | 241404   | 1         | DOWTY SEAL 1/4"  |
| 27   | 14076900 | 1         | NIPPLE 1/4" I-1/4" U L=28.5 SS                           |
| 28   | 232285   | 1         | T-PIECE 1/4" 2 X INT. 1                                  |
| 29   | 232230   | 1         | QUICK COUPLER 1/4"BSP X 4 MM                             |
| 30   | 72565100 | 1         | Pressure Trans. 0-10Bar 4-20mA L=1000mm<br>CM05 and CM11 |
| 30   | 72555000 | 1         | PRES.TRANSDUCER FOR REG NAV 07                           |
| 31   | 420582   | 1         | BOLT HEX 8.8 DEL M8X20 FT A2                             |
| 32   | 460143   | 1         | LOCK NUT M8 SST A2 DIN985                                |
| 33   | 16137500 | 1         | BRACKET F. EFC SEC.VALVES +2                             |



SMART VALVE S67 (11)  
B418-HIA, 31:08:15



**B418**



SMART VALVE S67 (11)  
B418-HIA, 31:08:15

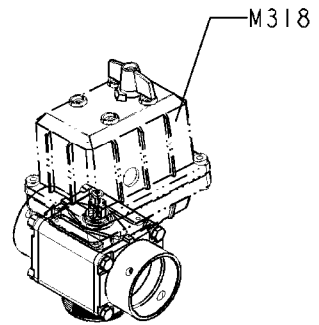
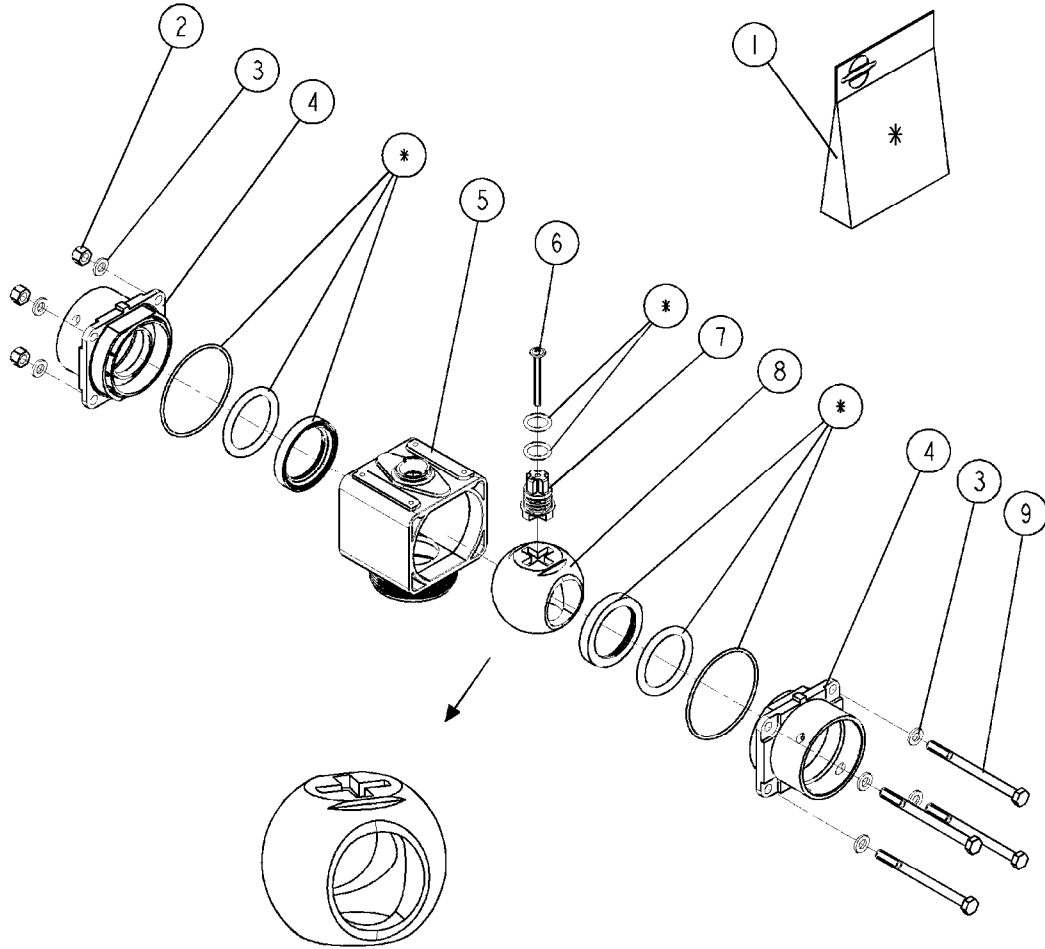
Page 1  
Date 12.08.2020 9:03

| Pos. | parts-n° | order qty | description                       |
|------|----------|-----------|-----------------------------------|
| 1    | 72784400 | 1         | PRESSURE VALVES W. GEARBOX COM11  |
| 2    | 168030   | 1         | BRACKET F/3 WAY VALVE             |
| 3    | 72784200 | 1         | VALVE 2-WAYS S67 CM11             |
| 4    | 28114700 | 1         | COVER PLUG RHS 100 X 50 3-5 BLACK |
| 5    | 72731800 | 1         | GEAR PARTS 2. CM11                |
| 6    | 39134100 | 1         | SUPPORTRING F. S67 VALVE CM11     |
| 7    | 334594   | 1         | PLUG F.VALVE HANDLE BLACK         |
| 8    | 450902   | 1         | BOLT ALLEN HEAD M4 X 16MM         |
| 9    | 460423   | 1         | NUT HEX M10X1.50 LOCK DIN985A2 SS |
| 10   | 420626   | 1         | BOLT HEX 8.8 DEL M10X20 FT        |
| 11   | 72784300 | 1         | SMARTVALVE S67 CM45/55/7000       |
| 12   | 72731700 | 1         | GEAR PARTS 1. CM11                |
| 13   | 61070200 | 1         | GEARBOX F.S67 VALVE CM45/55/7000  |
| 14   | 471122   | 1         | WASHER, M10, Ø20/10.5X 2.0, SS    |
| 15   | 420604   | 1         | BOLT HEX 8.8 DEL M10X25 FT DIN933 |



S67 VALVE  
B420-HIA, 29:07:15

I Valve



**B420**



S67 VALVE  
B420-HIA, 29:07:15

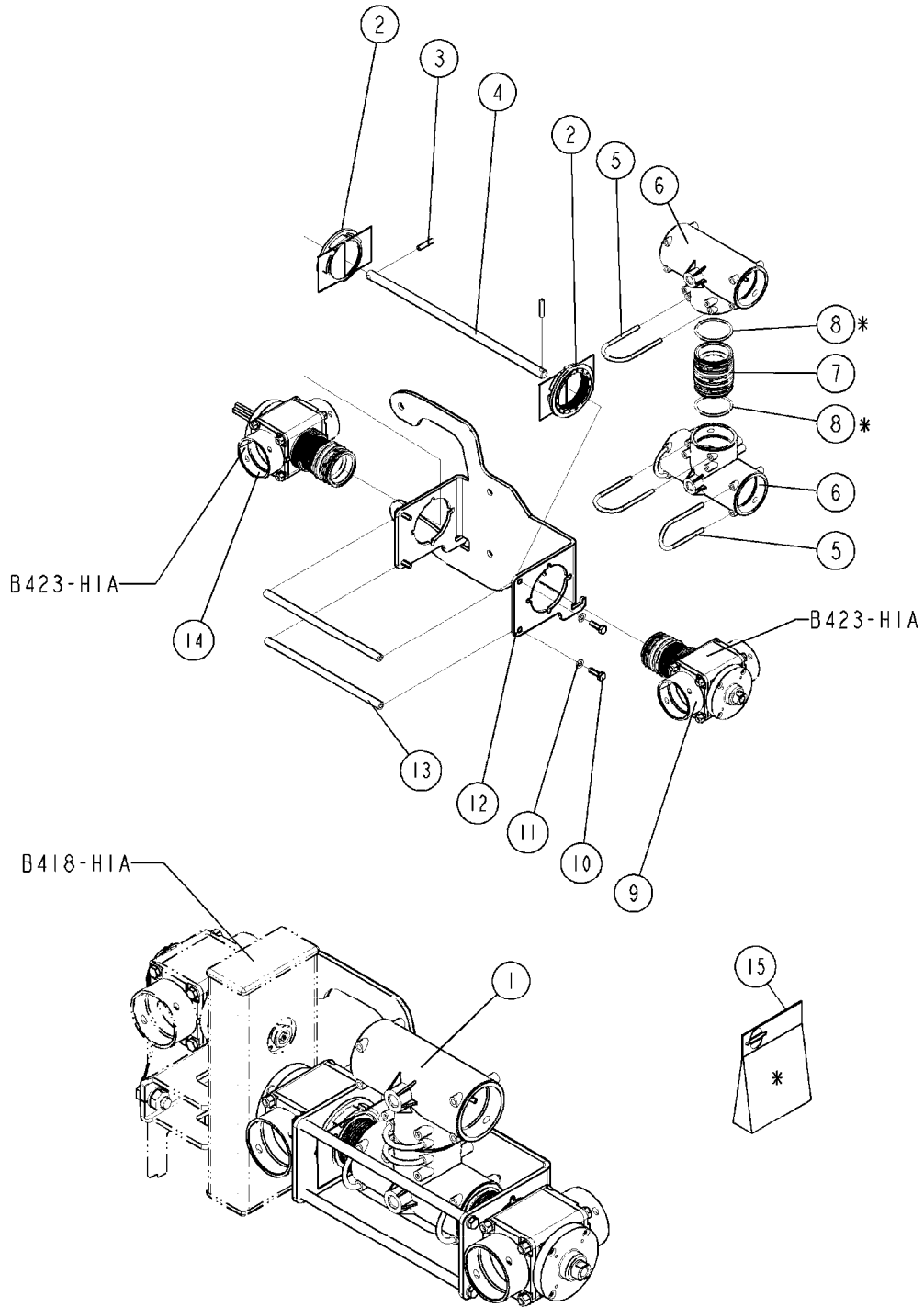
Page 1

Date 12.08.2020 9:03

| Pos. | parts-n° | order qty | description                       |
|------|----------|-----------|-----------------------------------|
| 1    | 74193000 | 1         | REPAIR KIT FOR S67 VALVE          |
| 2    | 460261   | 1         | NUT HEX M6X1.00 LOCK DIN985 A2 SS |
| 3    | 471125   | 1         | WASHER M6U 6.4X14X1.2,A2 SS       |
| 4    | 334497   | 1         | END COVER 3 WAY VALVE S-67        |
| 5    | 39135100 | 1         | S67 HOUSING MACHINED (322230)     |
| 6    | 440729   | 1         | SCREW F. PLASTIC 4MM X40LG SS     |
| 7    | 14118500 | 1         | SPINDLE S67 L23 CROSS BRASS       |
| 8    | 390262   | 1         | BALL F. 2 WAY VALVE               |
| 9    | 410605   | 1         | BOLT HEX 8.8 DEL M6X80            |



SMART VALVE S67 (11)  
B421-HIA, 07:06:17



# B421-HIA



SMART VALVE S67 (11)  
B421-HIA, 07:06:17

Page 1

Date 12.08.2020 9:03

| Pos. | parts-n° | order qty | description                       |
|------|----------|-----------|-----------------------------------|
| 1    | 72784300 | 1         | SMARTVALVE S67 CM45/55/7000       |
| 2    | 322320   | 1         | NUT F.3 WAY VALVE S56             |
| 3    | 480714   | 1         | RETAINING PIN Ø6X26 DIN1481 RST   |
| 4    | 14117300 | 1         | SPINDLE F.S67 SV. CM45/55/7000    |
| 5    | 145996   | 1         | FITT.DK S-67 FORK                 |
| 6    | 322224   | 1         | FITT.DK S-67 TEE                  |
| 7    | 334573   | 1         | FITT.DK S-67 CONNECTOR            |
| 8    | 242353   | 1         | O-RING 3 X 44.2 VITON             |
| 8    | 241973   | 1         | O-RING Ø3 X 44.2 70 SHORES NITRIL |
| 9    | 72784500 | 1         | VALVE 1F.S67 SV.CM45/55/7000      |
| 10   | 410362   | 1         | BOLT HEX 8.8 SS M6X20             |
| 11   | 471125   | 1         | WASHER M6U 6.4X14X1.2,A2 SS       |
| 12   | 16355600 | 1         | BRACKET F.S67 SMARTVALVE PAINTED  |
| 13   | 14022700 | 1         | SPACER TUBE Ø10 L=212 SS          |
| 14   | 72784600 | 1         | VALVE 2F.S67 SV.CM45/55/7000      |
| 15   | 74196100 | 1         | BAG OF 10 PCS. 241973 O-RINGS     |

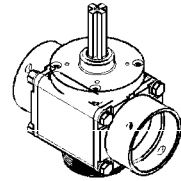
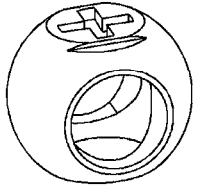
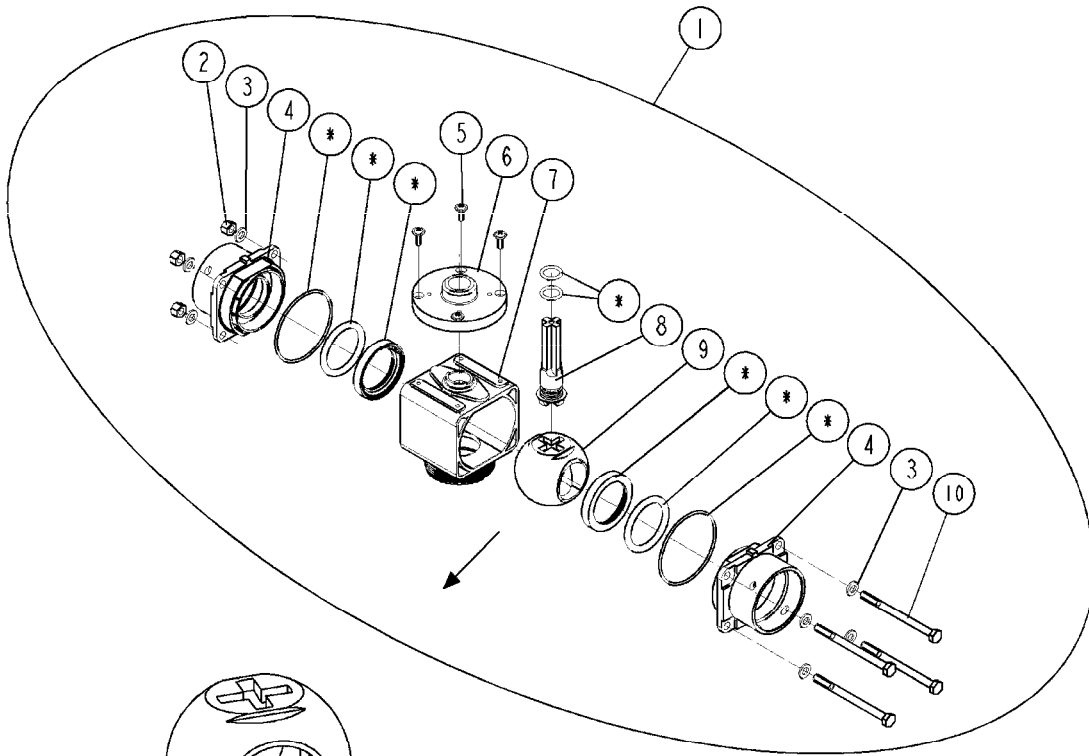
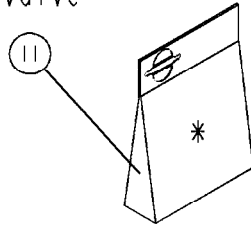


VALVE S67 2-WAY (11)  
B422-HIA, 19:12:12

Page 0

Date 12.08.2020 9:03

I Valve



**B422**





VALVE S67 2-WAY (11)  
B422-HIA, 19:12:12

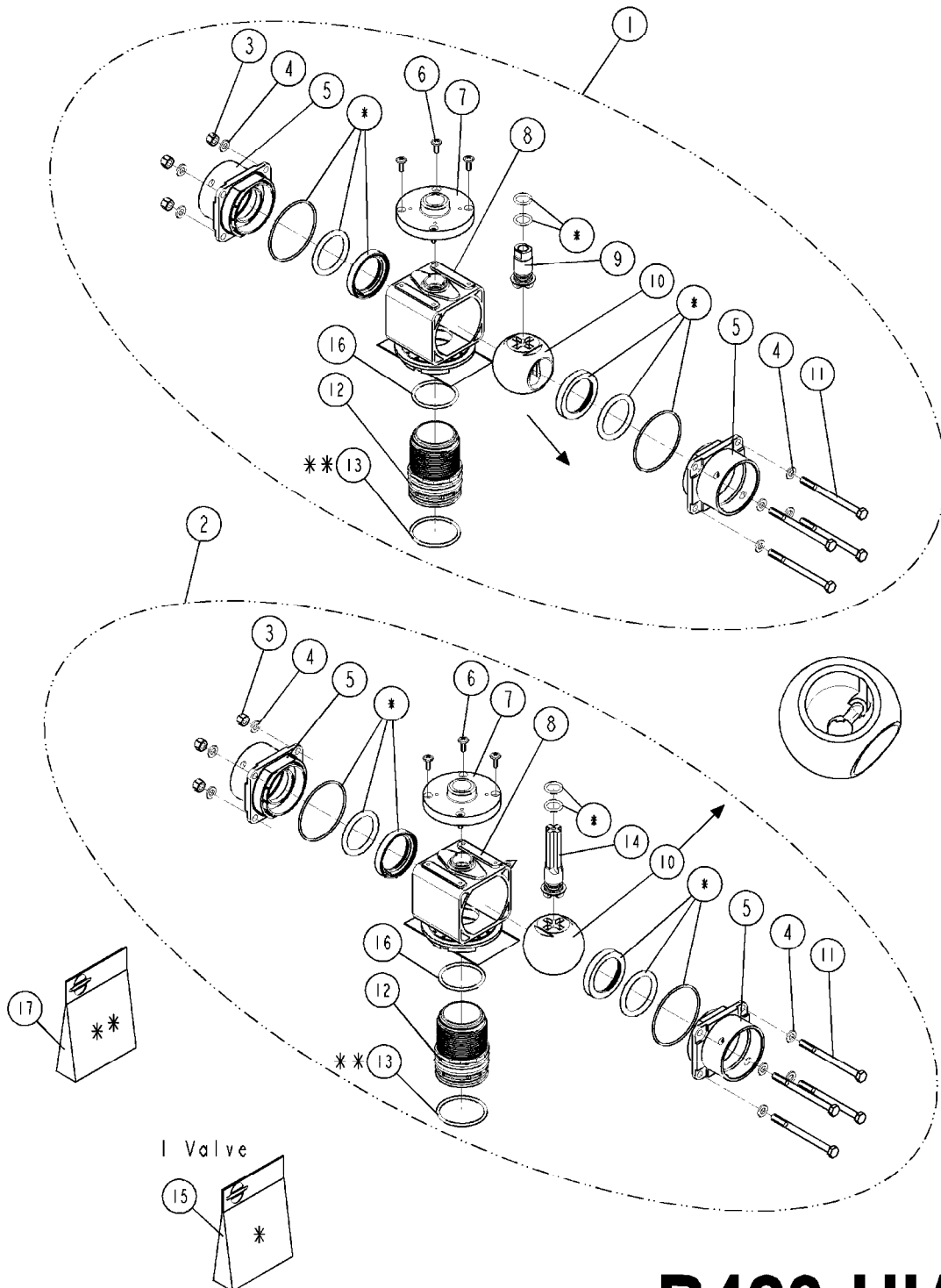
Page 1

Date 12.08.2020 9:03

| Pos. | parts-n° | order qty | description                       |
|------|----------|-----------|-----------------------------------|
| 1    | 72784200 | 1         | VALVE 2-WAYS S67 CM11             |
| 2    | 460261   | 1         | NUT HEX M6X1.00 LOCK DIN985 A2 SS |
| 3    | 471125   | 1         | WASHER M6U 6.4X14X1.2,A2 SS       |
| 4    | 334497   | 1         | END COVER 3 WAY VALVE S-67        |
| 5    | 440699   | 1         | SCREW F. PLASTIC 4MM X12LG SS     |
| 6    | 391023   | 1         | SMART VALVE MOUNTING BRACKET      |
| 7    | 39135100 | 1         | S67 HOUSING MACHINED (322230)     |
| 8    | 14117200 | 1         | CARRIER S67 L70 M4 CM11 MS        |
| 9    | 390262   | 1         | BALL F. 2 WAY VALVE               |
| 10   | 410605   | 1         | BOLT HEX 8.8 DEL M6X80            |
| 11   | 74193000 | 1         | REPAIR KIT FOR S67 VALVE          |



S67 VALVE (11)  
B423-HIA, 07:06:17



**B423-HIA**

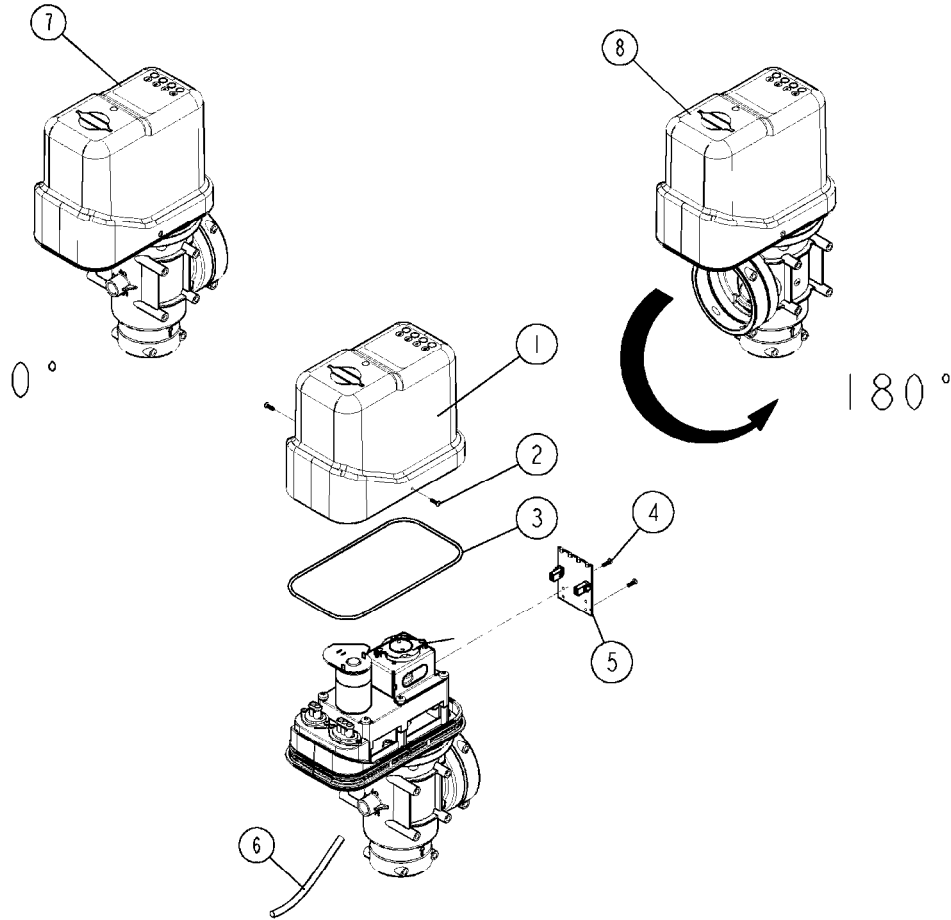


S67 VALVE (11)  
B423-HIA, 07:06:17

Page 1

Date 12.08.2020 9:03

| Pos. | parts-n° | order qty | description                       |
|------|----------|-----------|-----------------------------------|
| 1    | 72784500 | 1         | VALVE 1F.S67 SV.CM45/55/7000      |
| 2    | 72784600 | 1         | VALVE 2F.S67 SV.CM45/55/7000      |
| 3    | 460261   | 1         | NUT HEX M6X1.00 LOCK DIN985 A2 SS |
| 4    | 471125   | 1         | WASHER M6U 6.4X14X1.2,A2 SS       |
| 5    | 334497   | 1         | END COVER 3 WAY VALVE S-67        |
| 6    | 440699   | 1         | SCREW F. PLASTIC 4MM X12LG SS     |
| 7    | 391023   | 1         | SMART VALVE MOUNTING BRACKET      |
| 8    | 390623   | 1         | HOUSING F.3 WAY VALVE             |
| 9    | 14027700 | 1         | SPINDLE F.SMART VALVE S67 L=36    |
| 10   | 39134300 | 1         | BALL S67 F. SV CM11               |
| 11   | 410605   | 1         | BOLT HEX 8.8 DEL M6X80            |
| 12   | 322325   | 1         | FITT.DK S-67 X 1-1/2"BSP LONG     |
| 13   | 242353   | 1         | O-RING 3 X 44.2 VITON             |
| 13   | 241973   | 1         | O-RING Ø3 X 44.2 70 SHORES NITRIL |
| 14   | 14117200 | 1         | CARRIER S67 L70 M4 CM11 MS        |
| 15   | 74193000 | 1         | REPAIR KIT FOR S67 VALVE          |
| 16   | 242020   | 1         | O-RING 39.2 X 3 VITON             |
| 17   | 74196100 | 1         | BAG OF 10 PCS. 241973 O-RINGS     |



DF4 valve with Syntal

| DF4      | 0°<br>Navigator | 180°<br>Mega |
|----------|-----------------|--------------|
| New      | 72772100        | 72824100     |
| Defect   | 73267100        | 73267200     |
| Exchange | 73266700        | 73266800     |

DF4 valve with Ceramic

| DF4      | 0°<br>Alpha | 180°<br>CMI |
|----------|-------------|-------------|
| New      | 72909800    | 72772000    |
| Defect   | 73267000    | 73266900    |
| Exchange | 73266600    | 73266500    |

**B429-HIA**



DF4 VALVE SYNTAL/CERAMIC  
B429-HIA, 25:08:16

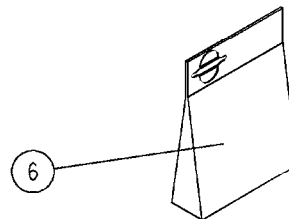
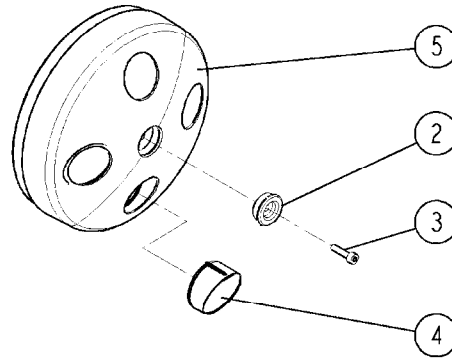
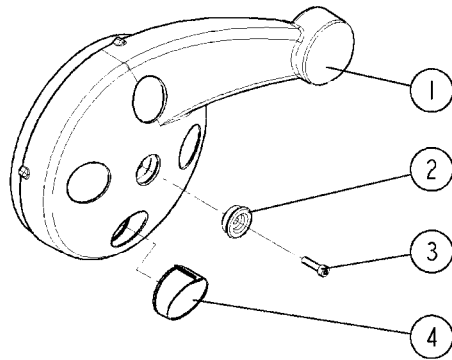
Page 1

Date 12.08.2020 9:03

| Pos. | parts-n° | order qty | description                                   |
|------|----------|-----------|---|
| 1    | 33521000 | 1         | REG.MOTOR COVER CERAMIC 2011                  |
| 2    | 44075500 | 1         | SCREW 25X10 WIN5451/TORX                      |
| 3    | 24264300 | 1         | O-RING Ø 148.0 X 3 SH70 VITON                 |
| 4    | 44075800 | 1         | SCREW F. PLASTIC TX 2.9X13 SS                 |
| 5    | 26038800 | 1         | REG. VALVE PCB ASSY.                          |
| 6    | 25197400 | 1         | PE-HOSE Ø8/6 BLACK L = 0.6M                   |
| 7    | 72772100 | 1         | PRESS. REG. DF4 - SYNTAL 0°<br>Navigator      |
| 7    | 72909800 | 1         | PRESS. REG. DF4 CERAMIC 0°<br>Alpha           |
| 7    | 73266700 | 1         | PRESS REG DF4 -SYNTAL 0°_EXCHANGE<br>Alpha    |
| 7    | 73266600 | 1         | PRESS REG DF4 -CERAMIC 0°_EXCHANGE            |
| 7    | 73267100 | 1         | PRESS REG DF4 SYNTAL 0°_DEFECT                |
| 7    | 73267000 | 1         | PRESS REG DF4 CERAMIC 0°_DEFECT               |
| 8    | 72772000 | 1         | PRESS. REG. DF4 - CERAMIC 180°<br>Commander11 |
| 8    | 72824100 | 1         | PRESS. REG. DF4 - SYNTAL - 180°               |
| 8    | 73266800 | 1         | PRESS REG DF4 SYNTAL 180°_EXCHANGE            |
| 8    | 73266500 | 1         | PRESS REG DF4 -CERAMIC 180°_EXCHANGE          |
| 8    | 73267200 | 1         | PRESS REG DF4 SYNTAL 180°_DEFECT              |
| 8    | 73266900 | 1         | PRESS REG DF4 COMM 180°_DEFECT                |



Se B528 kryds/aksler



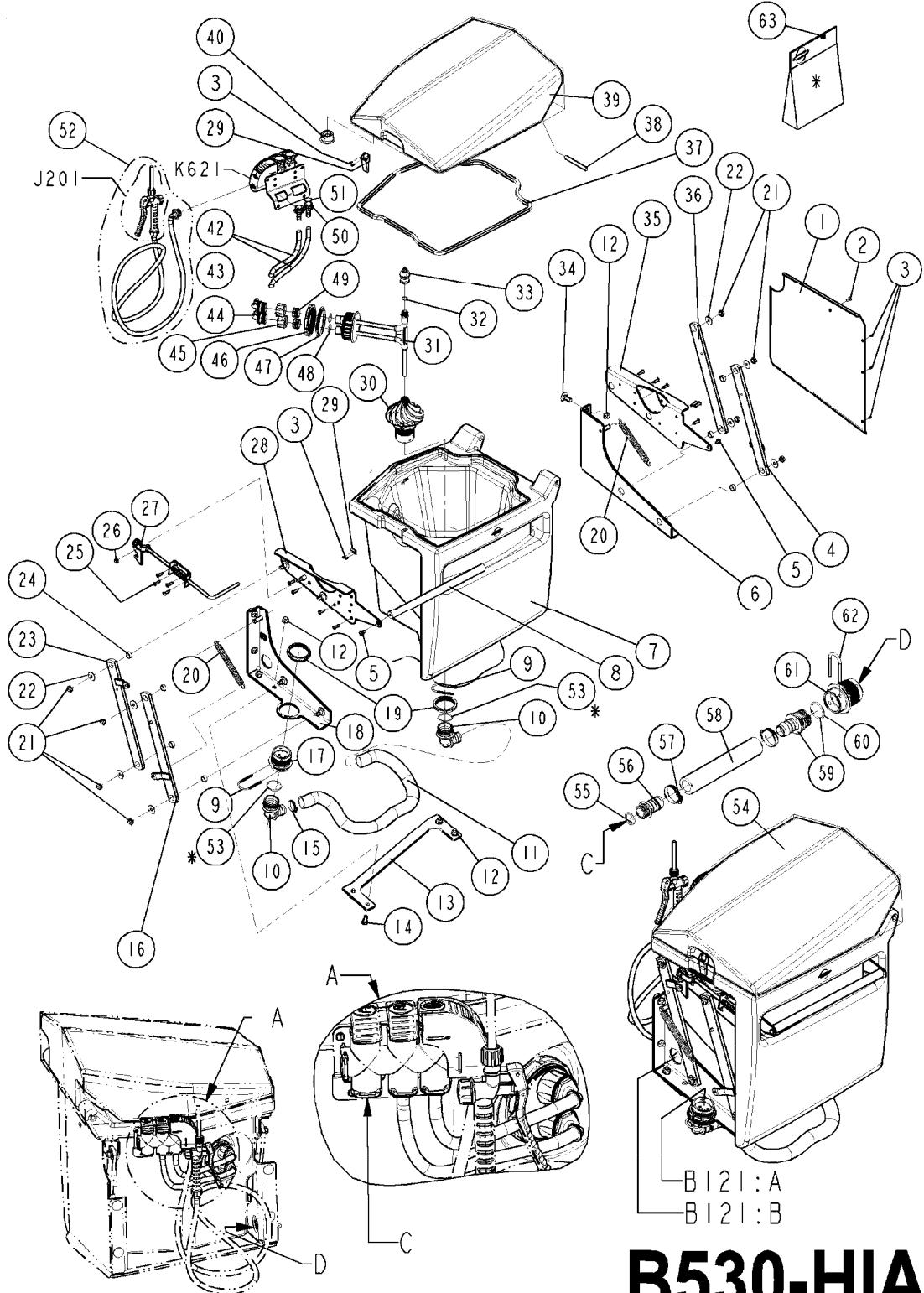
**B430**



HANDLE/INDICATOR F.SMART VALVE  
B430-HIA, 10:07:15

Page 1  
Date 12.08.2020 9:03

| Pos. | parts-n° | order qty | description                    |
|------|----------|-----------|--------------------------------|
| 1    | 33505700 | 1         | SMART VALVE HANDLE             |
| 2    | 334594   | 1         | PLUG F.VALVE HANDLE BLACK      |
| 3    | 450902   | 1         | BOLT ALLEN HEAD M4 X 16MM      |
| 4    | 33505200 | 1         | PLUG FOR SMART VALVE HANDLE    |
| 5    | 33508600 | 1         | POSITION INDICATOR/SMART VALVE |
| 6    | 74194100 | 1         | PACKAGE OF ICONS - CM-NAV      |







CM11 TURBOFILLER W.HOSES  
B530-HIA, 03:07:17

Page 1

Date 12.08.2020 9:03

| Pos. | parts-n° | order qty | description                               |
|------|----------|-----------|---|
| 1    | 16137400 | 1         | PLATE BACK F. CHEM-FILL NCM               |
| 2    | 480804   | 1         | RIVET Ø4.8x14.5                           |
| 3    | 440632   | 1         | SCREW M4X13                               |
| 4    | 63041000 | 1         | OUTER ARM F.CHEMFILL RIGHT                |
| 5    | 420918   | 1         | BOLT 8 X 12 STAINLESS                     |
| 6    | 63035300 | 1         | MT.BRACKET F.PARALLELARM RIGHT            |
| 7    | 72775200 | 1         | TURBO FILL TANK WITH LID                  |
| 8    | 14036900 | 1         | HAND GRIP FOR CHEMFILLER                  |
| 9    | 145996   | 1         | FITT.DK S-67 FORK                         |
| 10   | 334244   | 1         | FITT.DK S-67 ELB.1-1/4"                   |
| 11   | 92738900 | 1         | HOSE R X PVC X 1-1/4" 0012"               |
| 12   | 460703   | 1         | NUT HEX M12X1.75 LOCK DIN985A2 SS         |
| 13   | 16138100 | 1         | SUPPORT FOR CONSOLE                       |
| 14   | 420604   | 1         | BOLT HEX 8.8 DEL M10X25 FT DIN933         |
| 15   | 284585   | 1         | CLAMP HOSE GEAR 1" MINI 020               |
| 16   | 63040900 | 1         | OUTER ARM F.CHEMFILL LEFT                 |
| 17   | 322104   | 1         | FITT.DK S-67 BULKHEAD                     |
| 18   | 63035200 | 1         | MT.BRACKET F.PARALLELARM LEFT             |
| 19   | 322108   | 1         | FITT.DK S-67 BULKHEAD NUT                 |
| 20   | 220949   | 1         | SPRING Ø20.0/3.0 L=240 BLACK              |
| 21   | 460423   | 1         | NUT HEX M10X1.50 LOCK DIN985A2 SS         |
| 22   | 471140   | 1         | WASHER D30/D10.5X2.5 STAINLESS            |
| 23   | 63151700 | 1         | ARM, LEFT INSIDE TURBOFILLER              |
| 24   | 391106   | 1         | BUSHING F.TURBOFILLER PARAL.ARM           |
| 25   | 440392   | 1         | SCREW 6.3 X 25.0 DIN7981C TORX            |
| 26   | 460143   | 1         | LOCK NUT M8 SST A2 DIN985                 |
| 27   | 72844500 | 1         | LOCK DEVICE F.CHEMFILL CM'05              |
| 28   | 63035000 | 1         | MOUNT.BRACKET F.CHEMFILL RIGHT            |
| 29   | 28055800 | 1         | LOCK (SNAP CLIP) SS                       |
| 30   | 72691900 | 1         | CHECKVALVE TURBOFILL COMPLETE             |
| 31   | 63143400 | 1         | WASH DOWN PIPE FOR TURBO FILLER           |
| 32   | 330212   | 1         | O-RING D19/D14X2.4 F.1/2"NUT              |
| 33   | 74144800 | 1         | SPRAY NOZZLE COMPLETE                     |
| 34   | 451070   | 1         | CARRIAGE BOLT M12X30                      |
| 35   | 63035100 | 1         | MOUNT.BRACKET F.CHEMFILL LEFT             |
| 36   | 16383600 | 1         | ARM F.PARAL.TURBOFILLER                   |
| 37   | 242563   | 1         | NEOPRENE SEAL 10X10                       |
| 38   | 151162   | 1         | PIN F. LID HINGE CHEM-FILLER              |
| 39   | 72775200 | 1         | TURBO FILL TANK WITH LID                  |
| 40   | 72339500 | 1         | AIR VALVE F.CHEMFILLER                    |
| 42   | 927021   | 1         | HOSE R X 60 BAR X 1/2 X 0012"<br>L< 320mm |
| 43   | 334534   | 1         | CLAMP HOSE PLASTIC 1/2"                   |
| 44   | 32239000 | 1         | FITT.DK HB 1/2" 90° T25                   |
| 45   | 32239700 | 1         | FITT.DK NUT T25                           |
| 46   | 322109   | 1         | FITT.DK S-93 BULKHEAD NUT                 |
| 47   | 334262   | 1         | GASKET F.S-93 BULKHEAD                    |
| 48   | 24263000 | 1         | O-RING Ø24.4 X 3.1 NITRIL SH70            |
| 49   | 33515500 | 1         | FITT.DK NUT LOCK RING T25                 |
| 50   | 33521600 | 1         | HOSE BARB 1/2" STRAIGHT S25               |
| 51   | 240951   | 1         | O-RING D21.2X3 NITRIL                     |
| 52   | 72526700 | 1         | PLAST.TRIGGER+HOSE+TUBE                   |
| 53   | 241973   | 1         | O-RING Ø3 X 44.2 70 SHORES NITRIL         |
| 53   | 242353   | 1         | O-RING 3 X 44.2 VITON                     |
| 54   | 72853400 | 1         | TURBO FILLER COM11                        |
| 55   | 240951   | 1         | O-RING D21.2X3 NITRIL                     |
| 56   | 33513500 | 1         | FITT.DK S-25 STR. 1"                      |
| 57   | 284585   | 1         | CLAMP HOSE GEAR 1" MINI 020               |
| 58   | 927124   | 1         | HOSE R X 60 BAR X 1 X 0012"               |
| 59   | 726559   | 1         | FITT DK. S-53 HB 1" W/O-RING              |
| 60   | 242354   | 1         | O-RING D32.2X3.0 VITON                    |

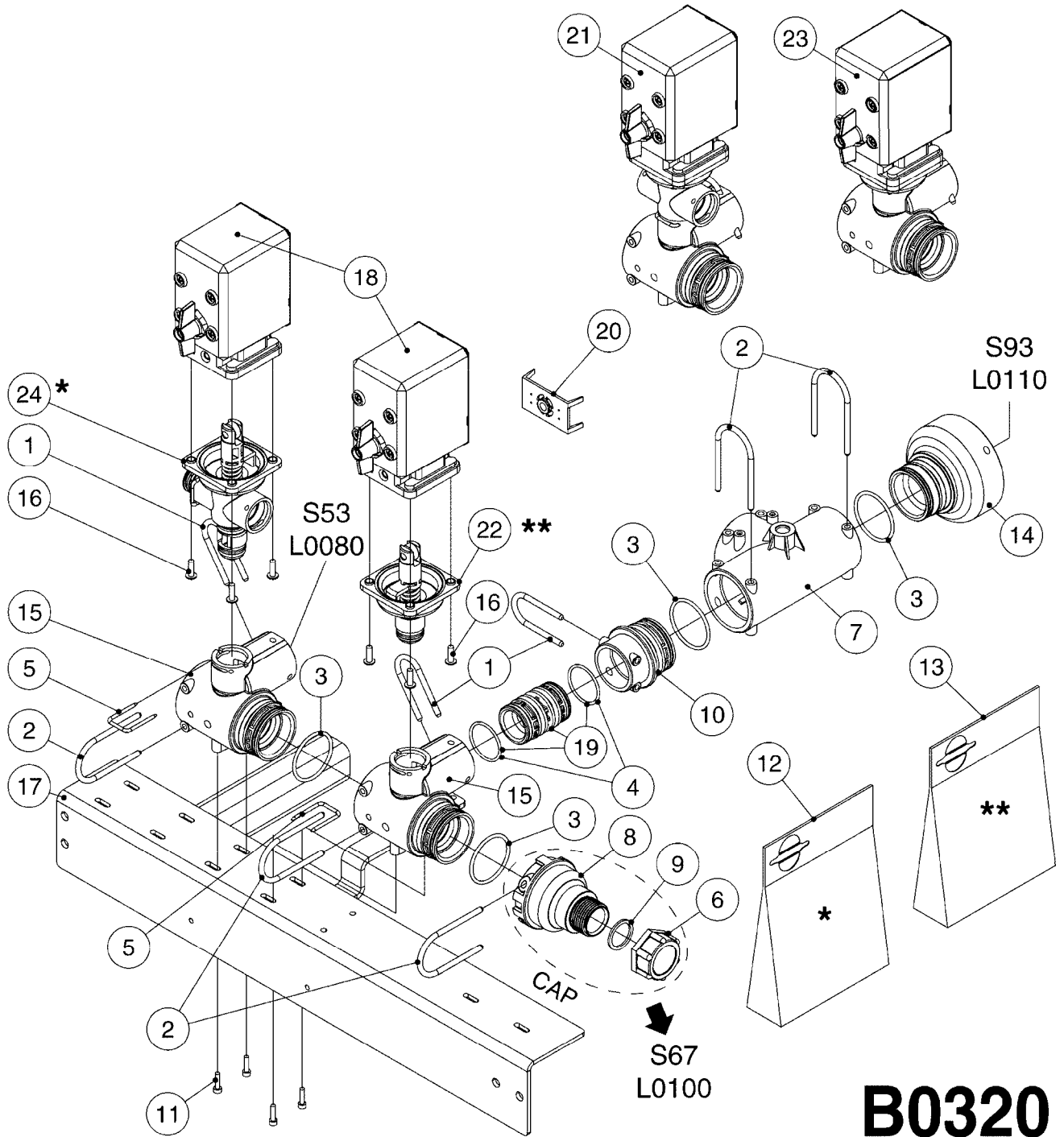


CM11 TURBOFILLER W.HOSES  
B530-HIA, 03:07:17

Page 2

Date 12.08.2020 9:03

| Pos. | parts-n° | order qty | description                   |
|------|----------|-----------|-------------------------------|
| 61   | 322103   | 1         | FITT.DK S-53 BULKHEAD         |
| 62   | 145996   | 1         | FITT.DK S-67 FORK             |
| 63   | 74196100 | 1         | BAG OF 10 PCS. 241973 O-RINGS |



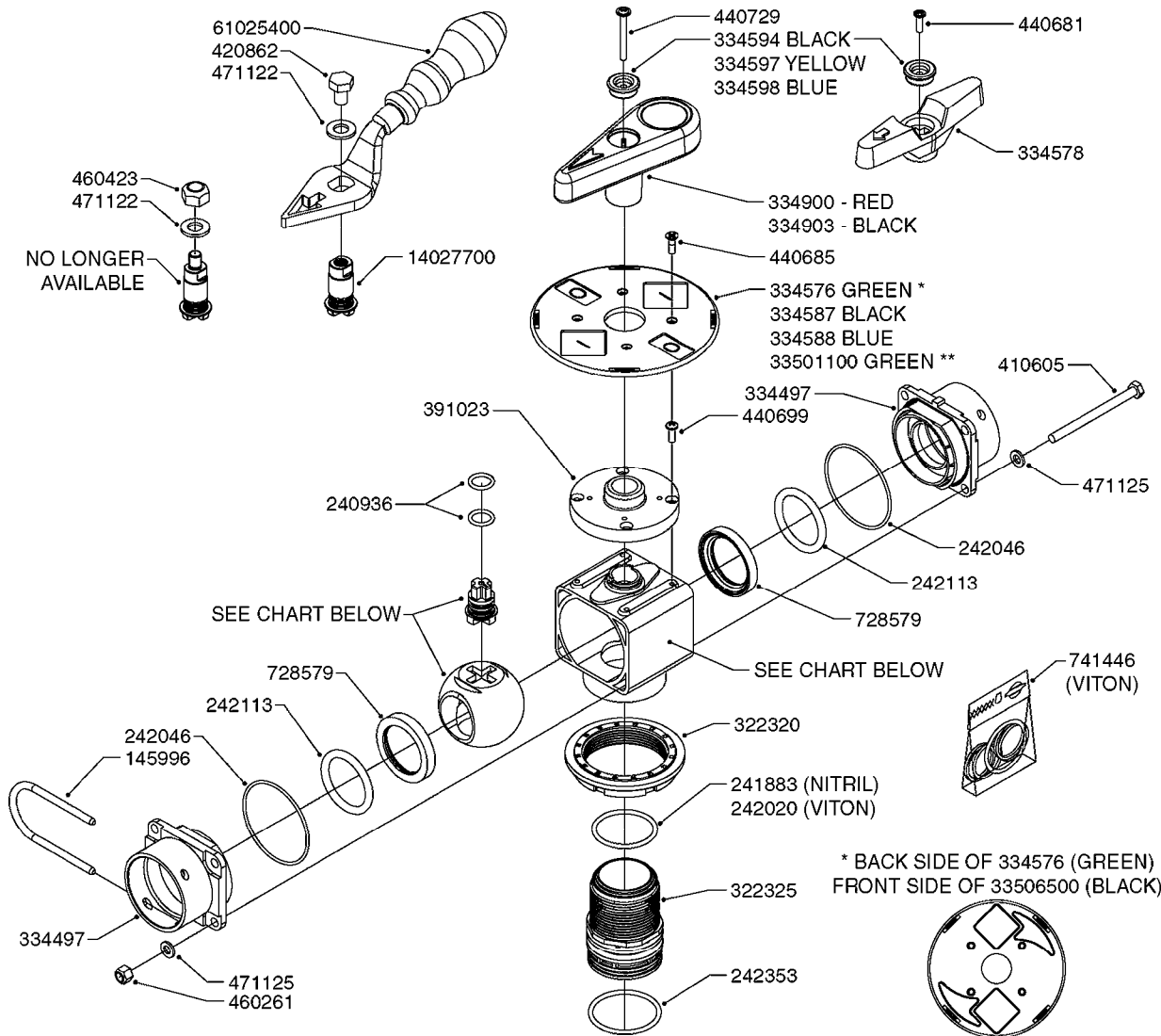
**B0320**



EFC BOOM VALVES  
B0320-HIN, 20:05:20

Page 1  
Date 12.08.2020 9:03

| Pos. | parts-n° | order qty | description                    |
|------|----------|-----------|--------------------------------|
| 1    | 145995   | 1         | FITT.DK S-53 FORK              |
| 2    | 145996   | 1         | FITT.DK S-67 FORK              |
| 3    | 242353   | 1         | O-RING 3 X 44.2 VITON          |
| 4    | 242354   | 1         | O-RING D32.2X3.0 VITON         |
| 5    | 270211   | 1         | FITT.DK S25 FORK L=37.5        |
| 6    | 320106   | 1         | FITT.DK CAPNUT 1" BSP          |
| 7    | 322224   | 1         | FITT.DK S-67 TEE               |
| 8    | 322321   | 1         | FITT.DK S-67 X 1"BSP MALE      |
| 9    | 330326   | 1         | O-RING D30/D24X2 F.1"NUT       |
| 10   | 334564   | 1         | FITT.DK S-67 TO S-53 ADAPTER   |
| 11   | 450902   | 1         | BOLT ALLEN HEAD M4 X 16MM      |
| 12   | 741822   | 1         | SEAL KIT - 1 SECTION (05)      |
| 13   | 755726   | 1         | O-RING KIT F.EC/ESC SEC.VALVE  |
| 14   | 33500700 | 1         | FITT.DK ADAPTER S-93F S67M     |
| 15   | 33502400 | 1         | DISTRIBUTION HOUSING EFC       |
| 16   | 44076200 | 1         | SCREW WN5451 5X16 SS TORX      |
| 17   | 61032700 | 1         | BRACKET F. EFC SEC. VALVES < 7 |
| 17   | 61032800 | 1         | BRACKET F. EFC SEC.VALVES <4>6 |
| 18   | 72048000 | 1         | MOTOR, DISTRIBUTION 1:300      |
| 19   | 72114300 | 1         | FITT. DK S-53 MALE MALE W.ORIN |
| 20   | 72137200 | 1         | MCROSWCH ASSY F.BOOM VLV 300:1 |
| 21   | 72233700 | 1         | SECTION VALVE, EFC, 1:300      |
| 22   | 72267200 | 1         | SPINDLE, BYPASS VALVE NCM      |
| 23   | 72284000 | 1         | BYPASS VALVE, EFC, 1:300       |
| 24   | 72591700 | 1         | SPINDLE SECT.W/O CONS.PRESSURE |



|          |        |          |        |        |        |          |
|----------|--------|----------|--------|--------|--------|----------|
|          |        |          |        |        | -      |          |
| 728391   | 334594 | 334576   | 390204 | 390623 | -      | 334600   |
| 728393   | 334598 | 334588   | 390238 | 390251 | -      | 334600   |
| 728945   | 334597 | -        | 390262 | 390777 | -      | 334600   |
| 729796   | 334594 | 334587   | 390204 | 390623 | -      | 334600   |
| 840062   | 334594 | 334576   | 391180 | 390623 | -      | 334600   |
| 841062   | 334594 | 334576   | 390204 | 390623 | -      | 334600   |
| 72113700 | 334594 | 334576   | 391180 | 390623 | -      | 334600   |
| 72172100 | -      | 33501100 | 391039 | 390623 | 391023 | 14027700 |
| 72172200 | -      | -        | 391039 | 390623 | -      | 334600   |
| 72283600 | 334594 | 33506500 | 391180 | 390623 | 391023 | 334600   |
| 72292500 | -      | -        | 391180 | 390623 | -      | 14027700 |
| 72538000 | -      | -        | 391039 | 390623 | 391023 | 14075700 |
| 72691600 | 334594 | 334587   | 390262 | 390623 | -      | 334600   |

**B0430**



MANIFOLD - S67 VALVE  
B0430-HIN, 12:09:19

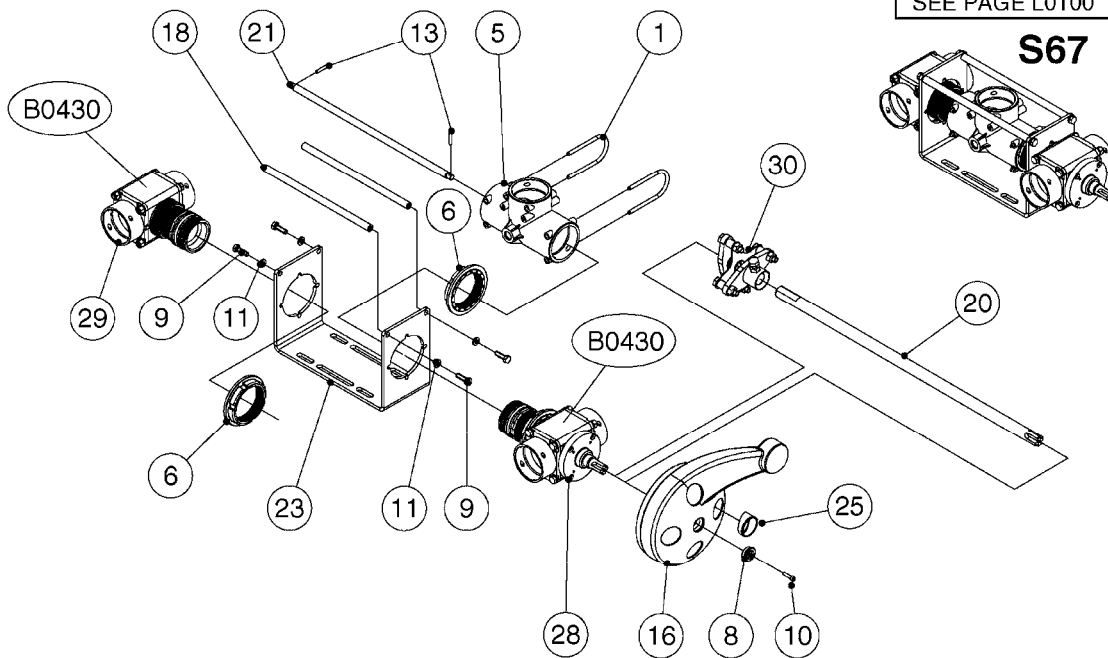
Page 1  
Date 12.08.2020 9:03

| parts-n° | order qty | description                       |
|----------|-----------|-----------------------------------|
| 145996   | 1         | FITT.DK S-67 FORK                 |
| 240936   | 1         | O-RING D13.3X2.4 NITRIL           |
| 241883   | 1         | O-RING 3 X 39.2 NITRIL            |
| 242020   | 1         | O-RING 39.2 X 3 VITON             |
| 242046   | 1         | O-RING D60X2                      |
| 242113   | 1         | O-RING D37.5X5.3 VITON            |
| 242353   | 1         | O-RING 3 X 44.2 VITON             |
| 322320   | 1         | NUT F.3 WAY VALVE S56             |
| 322325   | 1         | FITT.DK S-67 X 1-1/2"BSP LONG     |
| 334497   | 1         | END COVER 3 WAY VALVE S-67        |
| 334576   | 1         | FACE PLATE F. BALL VALVE GREEN    |
| 334578   | 1         | HANDLE FOR VALVE 'OLD' STYLE      |
| 334587   | 1         | FACE PLATE F.BALL VALVE BLACK     |
| 334588   | 1         | FACE PLATE F. BALL VALVE BLUE     |
| 334594   | 1         | PLUG F.VALVE HANDLE BLACK         |
| 334597   | 1         | PLUG F.VALVE HANDLE YELLOW        |
| 334598   | 1         | PLUG F.VALVE HANDLE BLUE          |
| 334600   | 1         | SPINDLE F.3 WAY VALVE             |
| 334900   | 1         | HANDLE F.3 WAY VALVE TALL '00     |
| 334903   | 1         | HANDLE S67/93 VALVE BLACK         |
| 390204   | 1         | BALL F. 3 WAY SUCTION VALVE       |
| 390238   | 1         | BALL F. 3 WAY PRESSURE VALVE      |
| 390251   | 1         | MOTOR HOUSING F. 3-WAY VALVE      |
| 390262   | 1         | BALL F. 2 WAY VALVE               |
| 390623   | 1         | HOUSING F.3 WAY VALVE             |
| 390777   | 1         | HOUSING F.BALL VALVE 3 WAY        |
| 391023   | 1         | SMART VALVE MOUNTING BRACKET      |
| 391039   | 1         | BALL F. S67 SMART VALVE           |
| 391180   | 1         | BALL F. AGITATOR S67 ARE 268      |
| 410605   | 1         | BOLT HEX 8.8 DEL M6X80            |
| 420862   | 1         | BOLT HEX 8.8 DEL M10X16 FT        |
| 440681   | 1         | SCREW F. PLASTIC 4MM X 14LG SS    |
| 440685   | 1         | SCREW F.PLASTIC 4X14 SS C-SUNK    |
| 440699   | 1         | SCREW F. PLASTIC 4MMM X12LG SS    |
| 440729   | 1         | SCREW F. PLASTIC 4MM X40LG SS     |
| 460261   | 1         | NUT HEX M6X1.00 LOCK DIN985 A2 SS |
| 460423   | 1         | NUT HEX M10X1.50 LOCK DIN985A2 SS |
| 471122   | 1         | WASHER, M10, Ø20/10.5X 2.0, SS    |
| 471125   | 1         | WASHER M6U 6.4X14X1.2,A2 SS       |
| 728391   | 1         | VALVE S67 PRESSURE MANIFOLD       |
| 728393   | 1         | VALVE 3 WAY F.AGITAT.SHUTOFF      |
| 728579   | 1         | SEAL F BALL                       |
| 728945   | 1         | VALVE 2-WAY YELLOW W.S-67 ENDS    |
| 729796   | 1         | VALVE S-67 MANUAL D33 J-D         |
| 741446   | 1         | REPAIR KIT F.S67 VALVE - VITON    |
| 840062   | 1         | VALVE S67 PRESSURE AGITATION      |
| 841062   | 1         | VALVE KIT S67 PRESS. MANIFOLD     |
| 14027700 | 1         | SPINDLE F.SMART VALVE S67 L=36    |
| 14075700 | 1         | SPINDLE F.SMART VALVE S67 L=81    |
| 33501100 | 1         | FACE PLATE F.SMART VALVE GREEN    |
| 33506500 | 1         | FACE PLATE F.BALL VALVE BLACK     |
| 61025400 | 1         | HANDLE SMART VALVE                |
| 72113700 | 1         | VALVE, VARIABLE AGITATION         |
| 72172100 | 1         | VALVE S67 "V1" SMART VALVE        |
| 72172200 | 1         | VALVE S67 "V2" SMART VALVE        |
| 72283600 | 1         | VALVE S67 AGITATION NCM           |
| 72292500 | 1         | VALVE S67 SMART VALVE NEW NAV     |
| 72538000 | 1         | VALVE S67, LONG SPINDLE           |
| 72691600 | 1         | VALVE, S67, 2-WAY F. FILLER       |



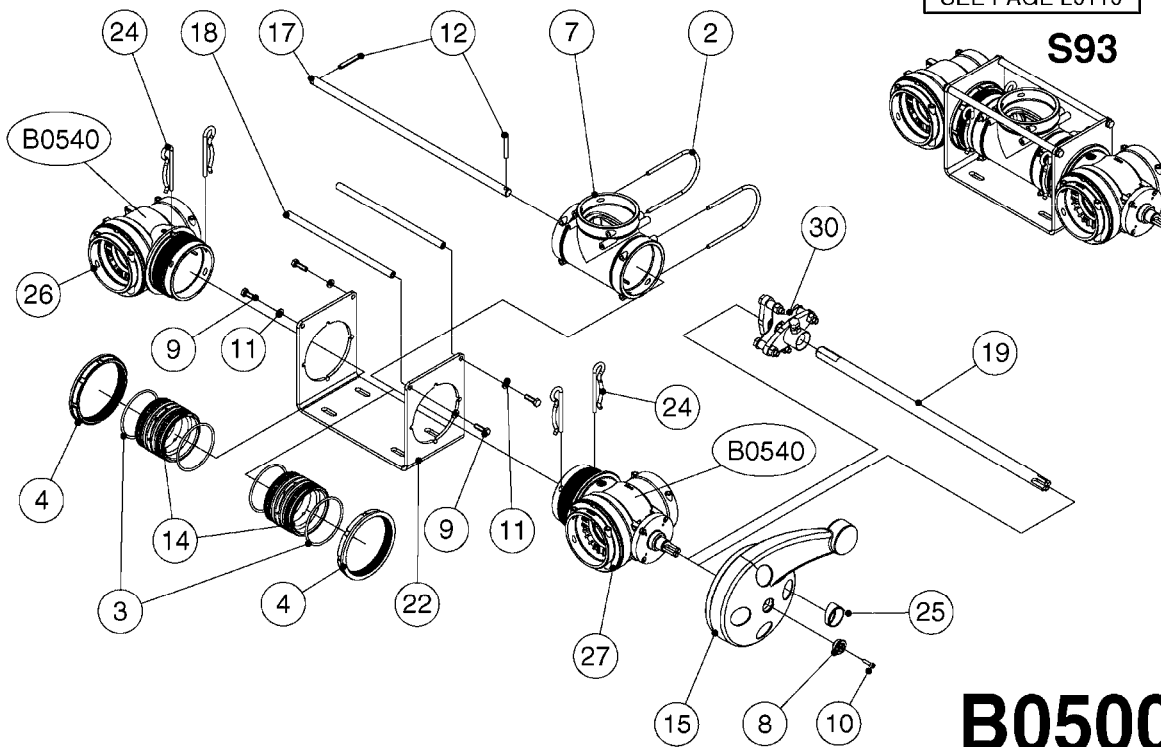
FOR S67 FITTINGS  
SEE PAGE L0100

**S67**



FOR S93 FITTINGS  
SEE PAGE L0110

**S93**



**B0500**

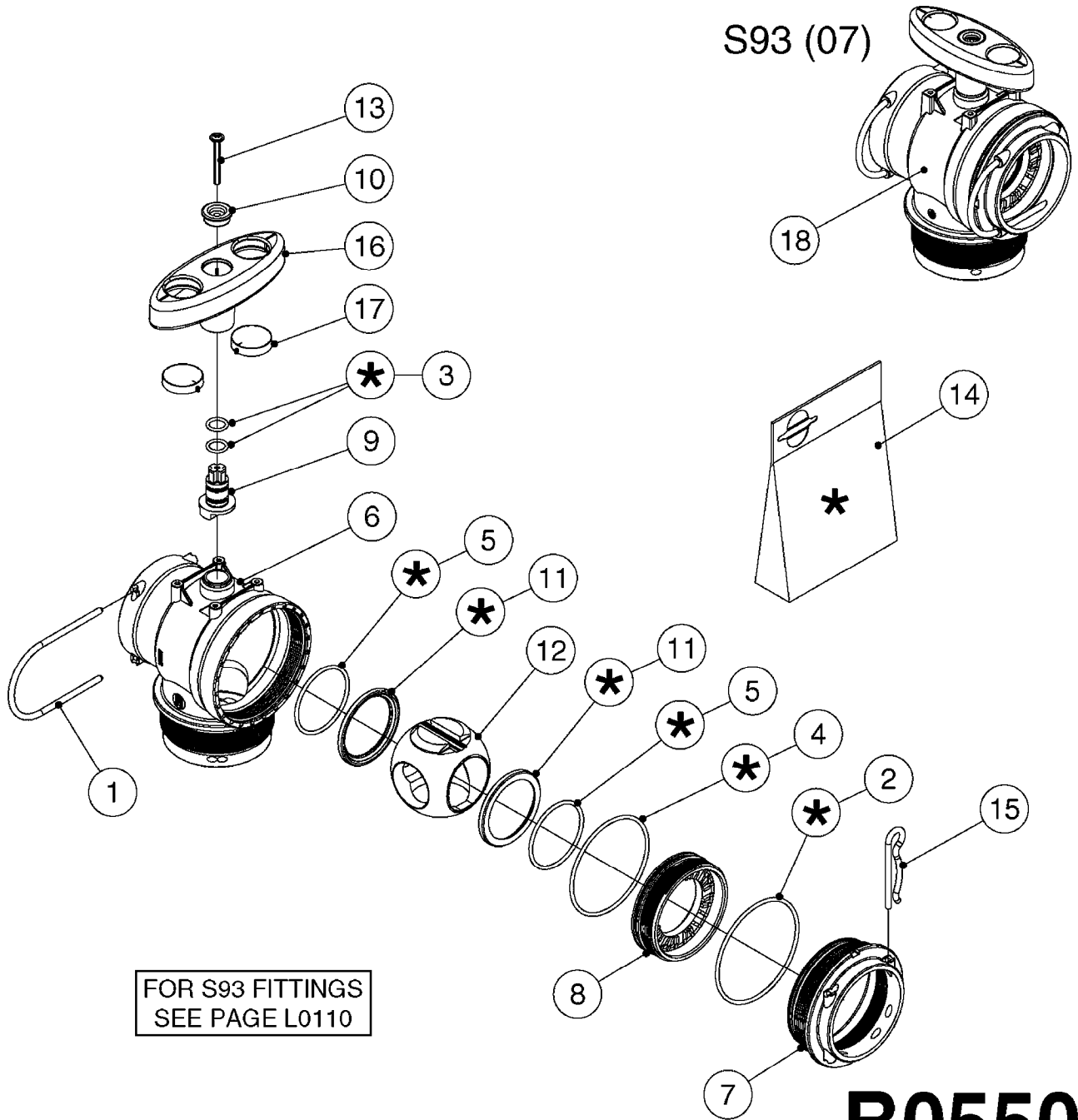


SMART VALVE S67 S93 (07)  
B0500-HIN, 28:01:19

Page 1  
Date 12.08.2020 9:03

| Pos. | parts-n° | order qty | description   |
|------|----------|-----------|---|
| 1    | 145996   | 1         | FITT.DK S-67 FORK   |
| 2    | 145997   | 1         | FITT.DK S-93 FORK   |
| 3    | 242351   | 1         | O-RING D69.5X3.0 VITON F.S-93                             |
| 4    | 322109   | 1         | FITT.DK S-93 BULKHEAD NUT                                 |
| 5    | 322224   | 1         | FITT.DK S-67 TEE  |
| 6    | 322320   | 1         | NUT F.3 WAY VALVE S56                                     |
| 7    | 334545   | 1         | FITT.DK S-93 TEE  |
| 8    | 334594   | 1         | PLUG F.VALVE HANDLE BLACK                                 |
| 9    | 410362   | 1         | BOLT HEX 8.8 SS M6X20                                     |
| 10   | 410922   | 1         | CYL.SKR 8.8 DEL M4X20 RST                                 |
| 10   | 450902   | 1         | BOLT ALLEN HEAD M4 X 16MM                                 |
| 11   | 471125   | 1         | WASHER M6U 6.4X14X1.2,A2 SS                               |
| 12   | 480733   | 1         | PIN D6 X 40   |
| 13   | 480803   | 1         | PIN Ø4 X 25   |
| 14   | 728525   | 1         | FITT. S93 CONNECTOR W/O-RINGS                             |
| 15   | 741844   | 1         | VALVE HANDLE ASSY. SUCTION NCM                            |
| 16   | 741845   | 1         | VALVE HANDLE ASSY. PRESSUR NCM                            |
| 17   | 14021500 | 1         | SPINDLE F.S93 SMART VALVE                                 |
| 18   | 14022700 | 1         | SPACER TUBE Ø10 L=212 SS                                  |
| 19   | 14038100 | 1         | AXLE FOR SUCTION VALVE HANDLE                             |
| 20   | 14038200 | 1         | AXLE FOR PRESSURE VALVE HANDLE                            |
| 21   | 14068700 | 1         | SPINDLE,SMART VALVE S67 10MM                              |
| 22   | 16059900 | 1         | BRACKET 2 STK S93 SMART VALVE                             |
| 23   | 16082300 | 1         | BRACKET 2PCS S67 VALVE 15 BAR                             |
| 24   | 28168400 | 1         | HAIRPIN Ø5 S67/S93  |
| 25   | 33505200 | 1         | PLUG FOR SMART VALVE HANDLE                               |
| 26   | 72138000 | 1         | VALVE S93 "V2" SMART VALVE                                |
| 27   | 72138600 | 1         | VALVE S93 "V3" SMART VALVE                                |
| 28   | 72172100 | 1         | VALVE S67 "V1" SMART VALVE                                |
| 28   | 72538000 | 1         | NCM 4400/6600<br>VALVE S67, LONG SPINDLE<br>NAV 3000/4000 |
| 29   | 72172200 | 1         | VALVE S67 "V2" SMART VALVE                                |
| 30   | 72283000 | 1         | AXLE JOINT F. SMARTVALVE HANDL                            |





FOR S93 FITTINGS  
SEE PAGE L0110

**B0550**

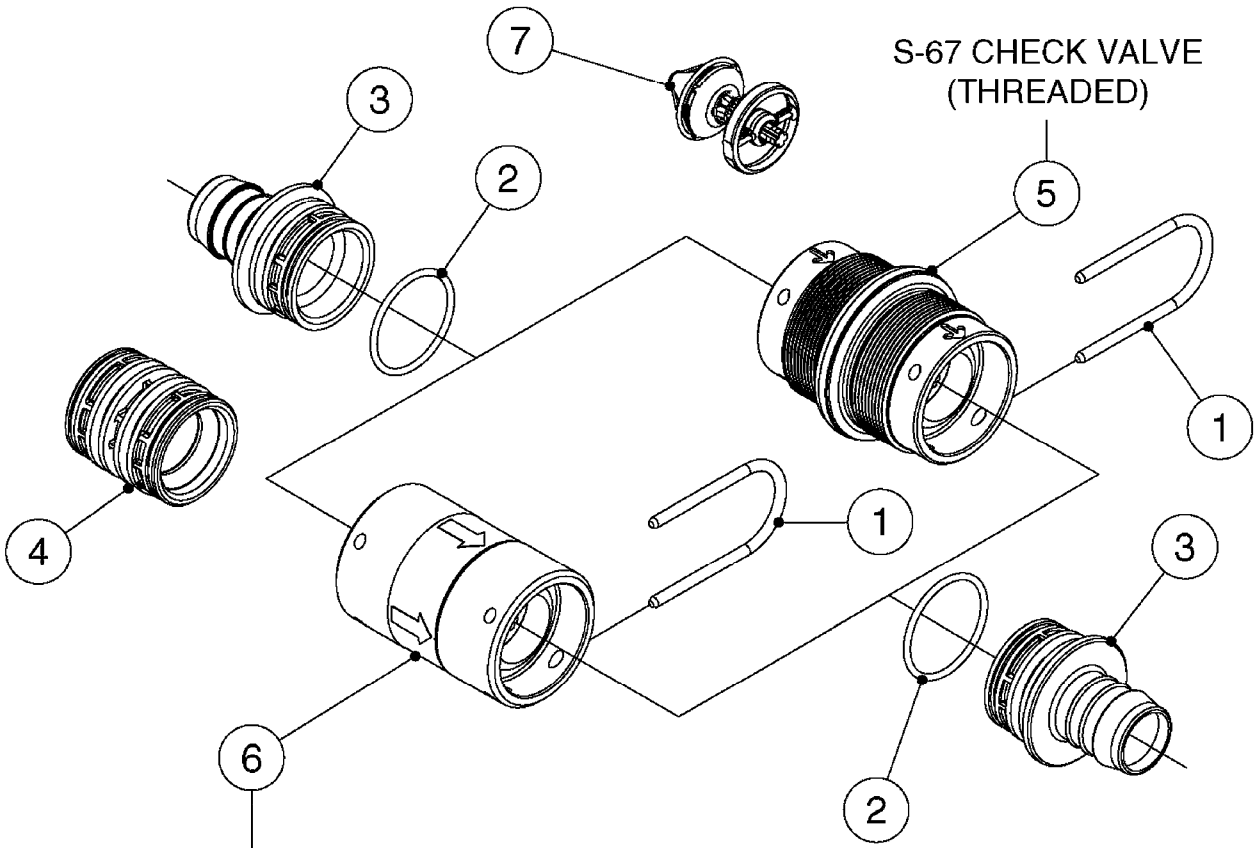


MANIFOLD - S93 VALVE (07)  
B0550-HIN, 28:01:19

Page 1

Date 12.08.2020 9:03

| Pos. | parts-n° | order qty | description                    |
|------|----------|-----------|--------------------------------|
| 1    | 145997   | 1         | FITT.DK S-93 FORK              |
| 2    | 242047   | 1         | O-RING 89.5 X 3.0 VITON        |
| 3    | 242449   | 1         | O'RING 13.3 x 2.4 VITON        |
| 4    | 242450   | 1         | O-RING D84.5X3.0 VITON         |
| 5    | 242475   | 1         | O'RING D56.52x5.33 SH70-VITON  |
| 6    | 322327   | 1         | HOUSING, VALVE, S93, 220 PSI   |
| 7    | 322328   | 1         | END CAP F. VALVE S-93          |
| 8    | 322354   | 1         | THRUST PLATE F.3-WAY VALVES-93 |
| 9    | 334579   | 1         | SPINDLE F.3 WAY VALVE S-93     |
| 10   | 334594   | 1         | PLUG F. VALVE HANDLE BLACK     |
| 11   | 390543   | 1         | SEAT F. BALL 3-WAY VALVE S-93  |
| 12   | 390544   | 1         | BALL FOR S93 VALVE, 3 HOLES    |
| 12   | 391019   | 1         | BALL F.2 WAY S93 SMART VALVE   |
| 13   | 440729   | 1         | SCREW F. PLASTIC 4MM X40LG SS  |
| 14   | 741726   | 1         | REPAIR KIT F.S93 VALVE VIT.'02 |
| 15   | 28168400 | 1         | HAIRPIN Ø5 S67/S93             |
| 16   | 33514400 | 1         | HANDLE FOR 2 ICONS 07          |
| 17   | 33514500 | 1         | PLUG FOR HANDLE ,2 ICONS       |
| 18   | 72518800 | 1         | QUICK FILL VALVE 2008 NAV      |
| 18   | 72518900 | 1         | SUCTION VALVE 2008 NAV         |



S-67 CHECK VALVE  
(NON-THREADED)

S-67 CHECK VALVE  
(THREADED)

FOR FITTINGS AND  
HOSES, SEE SECTION L

# B0640

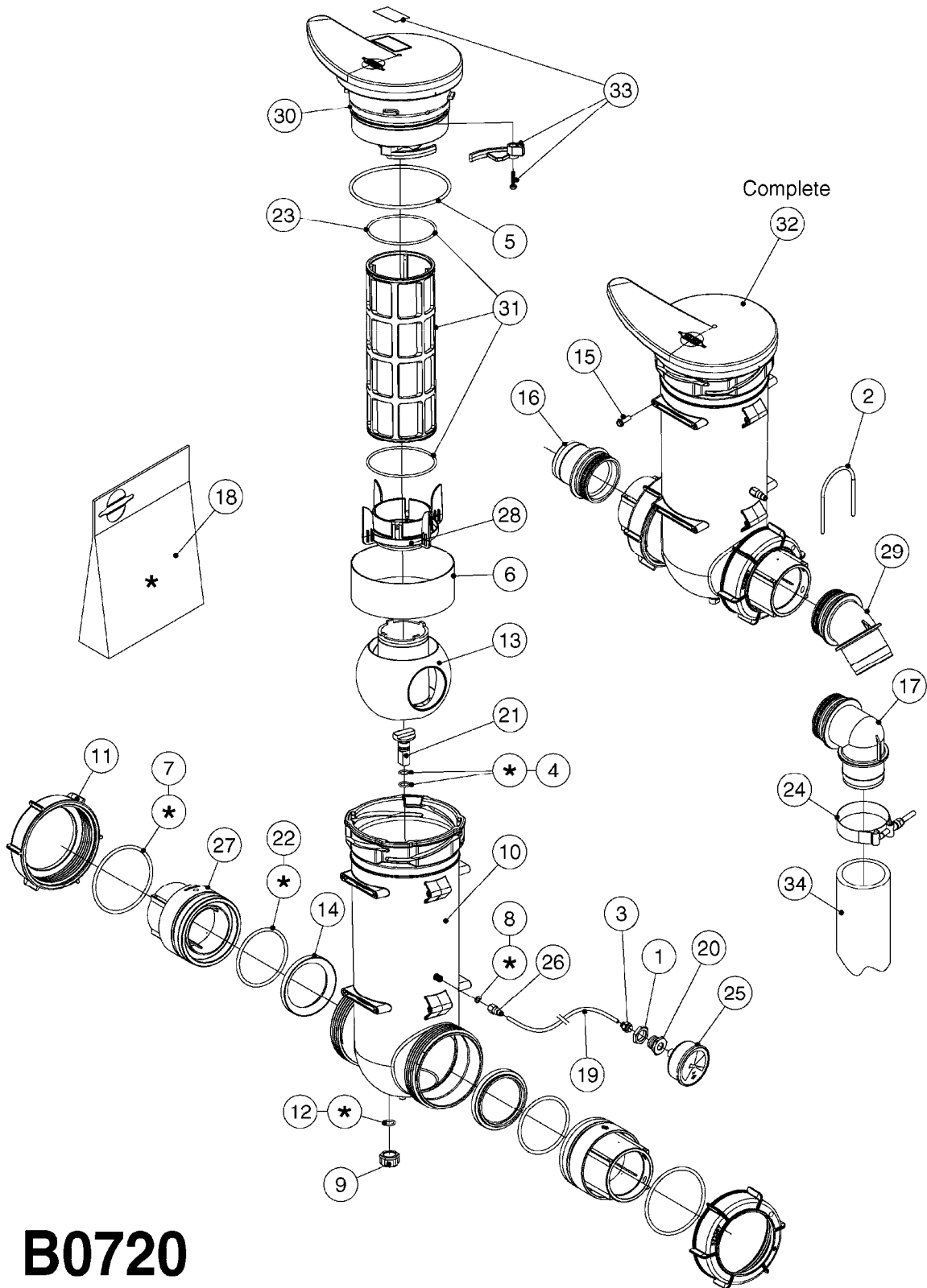


CHECK VALVES - S67 (2011)  
B0640-HIN, 15:10:19

Page 1

Date 12.08.2020 9:03

| Pos. | parts-n° | order qty | description   |
|------|----------|-----------|---|
| 1    | 145996   | 1         | FITT.DK S-67 FORK   |
| 2    | 242353   | 1         | O-RING 3 X 44.2 VITON                                     |
| 3    | 334231   | 1         | FITT.DK S-67 STR.1"                                       |
| 3    | 334232   | 1         | FITT.DK S-67 STR.1-1/4"                                   |
| 4    | 72432400 | 1         | FITT.DK S-67 CONNEC W.CHK SEAT                            |
| 5    | 72819200 | 1         | CHECK VALVE S67 2012 THREADED                             |
| 6    | 72819300 | 1         | CHECK VALVE S67 2012 NO THREAD                            |
| 7    | 72878800 | 1         | CHECK VALVE S67 SUBASSEMBLY 2013<br>INCLUDED WITH #5 & #6 |



**B0720**

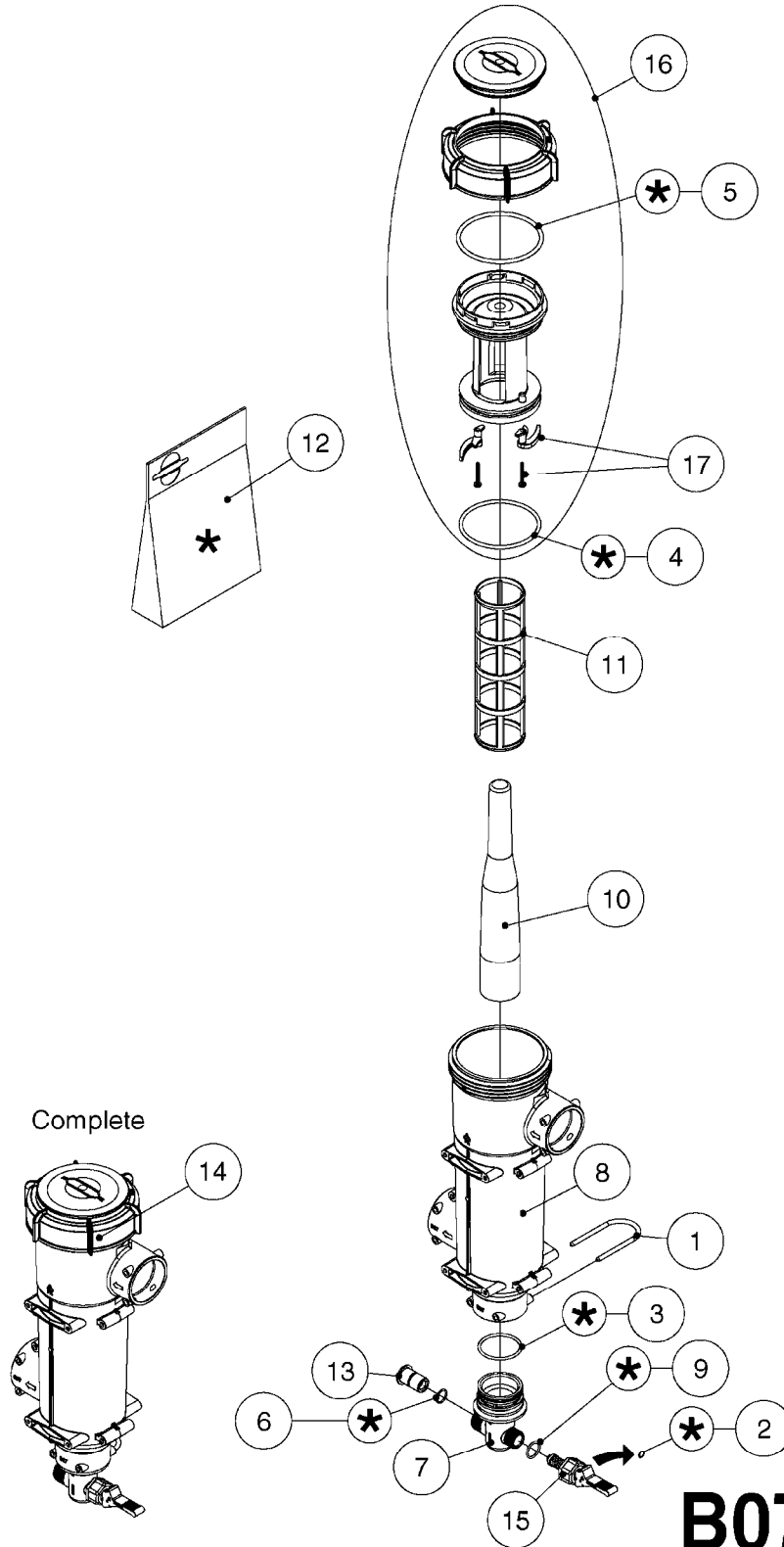


EASY CLEAN FILTER  
B0720-HIN, 01:01:16

Page 1

Date 12.08.2020 9:03

| Pos. | parts-n° | order qty | description                     |
|------|----------|-----------|---------------------------------|
| 1    | 140766   | 1         | NUT 1/2" BSP                    |
| 2    | 145997   | 1         | FITT.DK S-93 FORK               |
| 3    | 231346   | 1         | QUICK COUPLER 1/8"BSP X 4 MM    |
| 4    | 240936   | 1         | O-RING D13.3X2.4 NITRIL         |
| 5    | 242570   | 1         | O-RING D150.0 x5.0 SH70 VITON   |
| 6    | 242572   | 1         | RUBBER BELT Ø160x1.5 B=60 EPDM  |
| 7    | 242573   | 1         | O-RING Ø104.14X5.33SH70 NITRIL  |
| 8    | 242593   | 1         | GASKET Ø8/Ø5x1 (PA) 266N-M5X1   |
| 9    | 320047   | 1         | FITT.DK CAPNUT 1/2" BSP         |
| 10   | 322356   | 1         | EASYCLEAN FILTER HOUSING        |
| 11   | 322357   | 1         | CAP F. COUPLER EASYCLEAN FILTE  |
| 12   | 330212   | 1         | O-RING D19/D14X2.4 F.1/2"NUT    |
| 13   | 391090   | 1         | BALL F. EASYCLEAN FILTER ON/OF  |
| 14   | 391091   | 1         | SEAL F. BALL EASYCLEAN FILTER   |
| 15   | 440698   | 1         | SCREW F.PLASTIC 6X18 SS HEXHD   |
| 16   | 727133   | 1         | HOSETAIL S93 2"1/2 + O-RING     |
| 17   | 727226   | 1         | HOSETAIL S93 2"1/2 90°+O-RING   |
| 18   | 741826   | 1         | SEAL KIT F. EASYCLEAN FILTER    |
| 19   | 927253   | 1         | RED AIR HOSE, Ø4/2 1810 E       |
| 20   | 14055400 | 1         | FITT.DK REDUC 1/2"x1/8"x1/4"BS  |
| 21   | 14117700 | 1         | SPINDLE S93 L46 NV13 SS         |
| 22   | 24260100 | 1         | O-RING Ø88.0X5.0 SH70 VITON     |
| 23   | 24260700 | 1         | O-RING Ø101.19X3.53 SH70 VITON  |
| 24   | 28030303 | 1         | CLAMP HOSE T-BOLT S2.5" 235-76  |
| 25   | 28053400 | 1         | GAUGE VACUUM SUCT. FILTER NCM   |
| 26   | 28054300 | 1         | QUICK COUPLER 1/8"BSP/Ø4 FEMAL  |
| 27   | 33503200 | 1         | HOSE COUPLER F. EASYCLEAN FILT  |
| 28   | 33503600 | 1         | FILTER CARRIER F. EASYCLEAN     |
| 29   | 72072900 | 1         | FITT. S93 2-1/2" 45° S W/O-RING |
| 30   | 72270600 | 1         | LID ASSM. EASYCLEAN FILTER      |
| 31   | 72278800 | 1         | FILTER 30 MESH GREEN D110/284   |
| 31   | 72278900 | 1         | FILTER 50 MESH BLUE D110/284    |
| 31   | 72279000 | 1         | FILTER 80 MESH RED D110/284     |
| 32   | 72318900 | 1         | EASYCLEAN FILTER COMPL.         |
| 33   | 74192800 | 1         | FILTER LOCK PARTS - EASYCLEAN   |
| 34   | 92702803 | 1         | HOSE PVC SUCT GRAY 2.5"         |



**B0730**



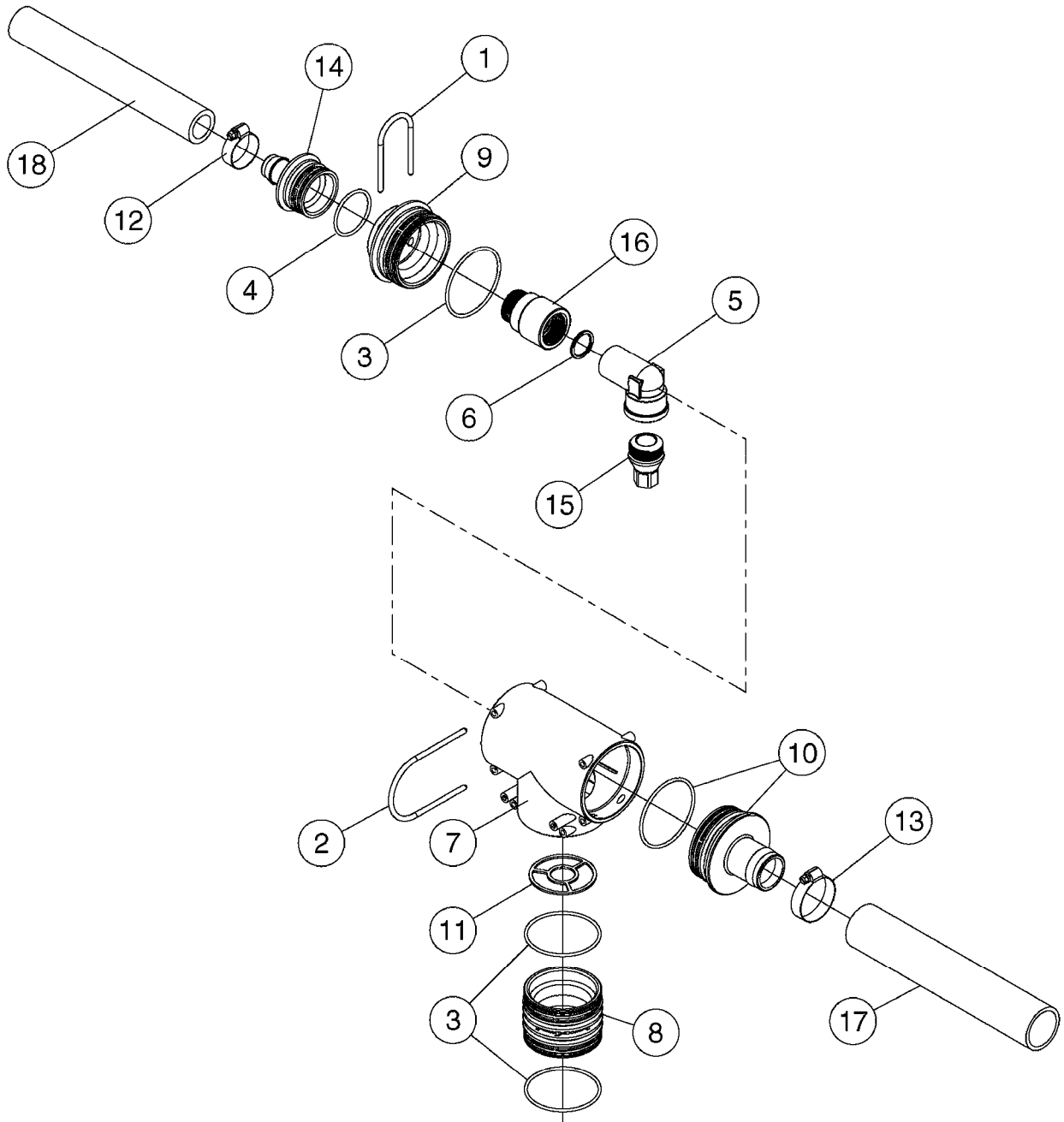
PRESSURE FILTER - CYCLONE  
B0730-HIN, 01:01:16

Page 1

Date 12.08.2020 9:03

| Pos. | parts-n° | order qty | description                    |
|------|----------|-----------|--------------------------------|
| 1    | 145996   | 1         | FITT.DK S-67 FORK              |
| 2    | 241323   | 1         | O-RING D5.3X2.4 NITRIL         |
| 3    | 242353   | 1         | O-RING 3 X 44.2 VITON          |
| 4    | 242565   | 1         | O-RING Ø 85 X 4.0 SH70 VITON   |
| 5    | 242577   | 1         | O-RING Ø 86 X 4.5 SH70 VITON   |
| 6    | 242594   | 1         | O-RING D14 X 1.78 SCH.70-EPDM  |
| 7    | 322358   | 1         | T-PIECE S67-1/2"-3/4"          |
| 8    | 322359   | 1         | CYCLONE FILTER HOUSING         |
| 9    | 330315   | 1         | O-RING D18.4/D13X.6            |
| 10   | 391093   | 1         | CONE F. CYCLONE FILTER         |
| 11   | 61036000 | 1         | FILTER ELEM.S93,100 MSH-YELLOW |
| 11   | 615416   | 1         | FILTER ELEM.S93,50 MESH-BLUE   |
| 11   | 72557200 | 1         | FILTER ELEM.S93,80# CYCLONE    |
| 12   | 741827   | 1         | SEAL KIT CYCLONE FILTER        |
| 13   | 39127500 | 1         | VALVE SEAT D18/10 3/4"-1/2" 09 |
| 14   | 72281200 | 1         | CYCLONE FILT.COMP. 80 MSH S67  |
| 14   | 72316500 | 1         | CYCLONE FILT.COMP.50 MSH S67   |
| 14   | 72316600 | 1         | CYCLONE FILT.COMP.100 MSH S67  |
| 15   | 72281300 | 1         | VALVE BOOSTER/ON/OFF CYCLONE F |
| 16   | 72352200 | 1         | LID COMPLETE F. CYCLONE FILTER |
| 17   | 74192900 | 1         | FILTER LOCK PARTS - CYCLONE    |





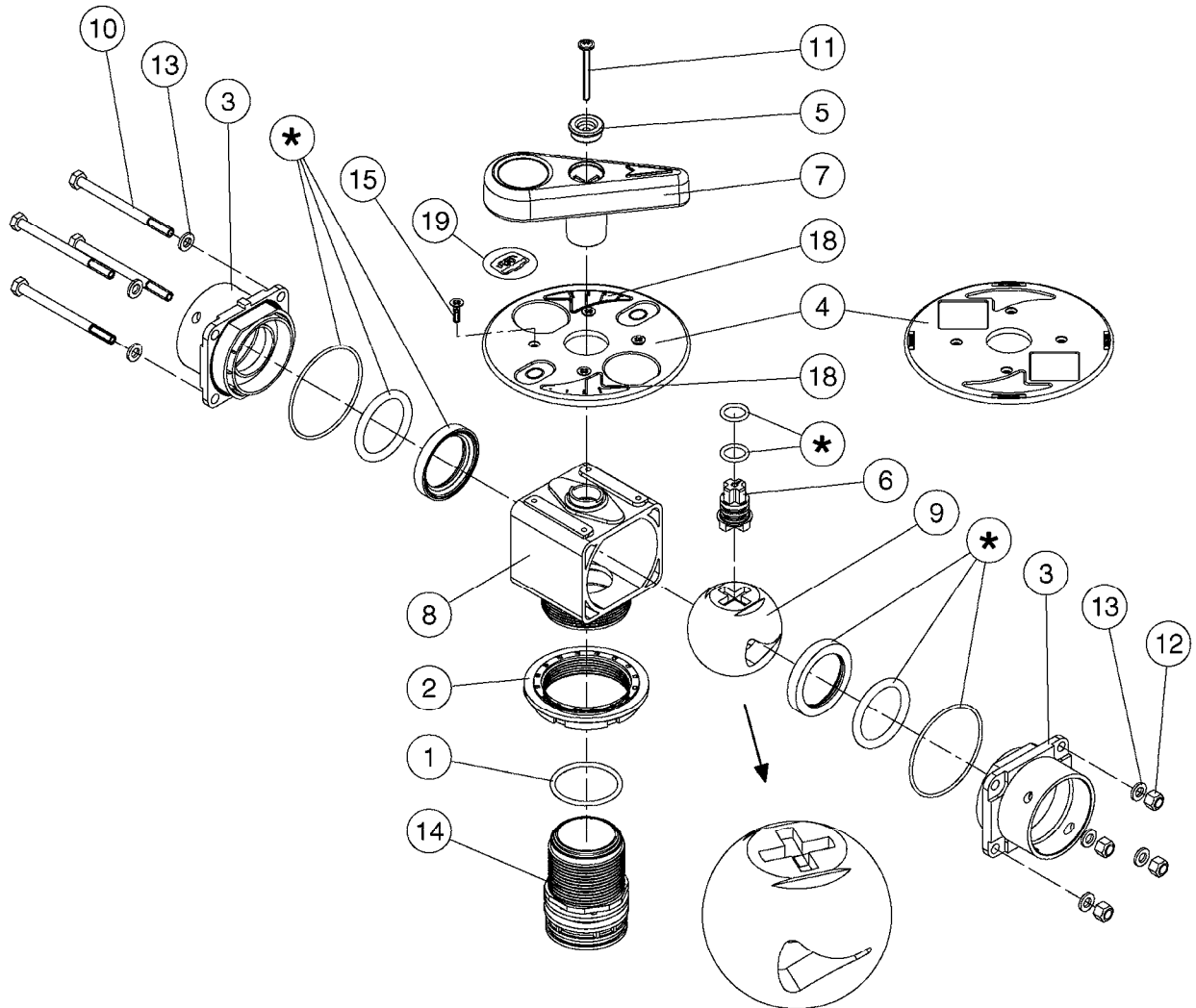
**B0790**



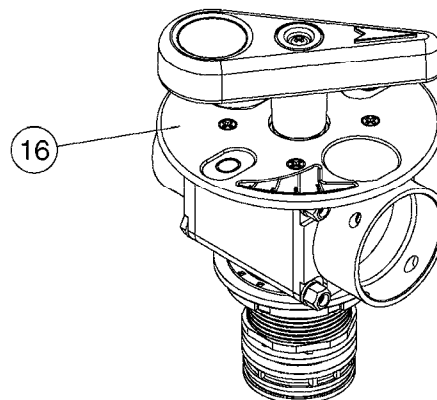
S93 EJECTOR F.TURBOFILLER  
B0790-HIN, 30:08:16

Page 1  
Date 12.08.2020 9:03

| Pos. | parts-n° | order qty | description                      |
|------|----------|-----------|----------------------------------|
| 1    | 145996   | 1         | FITT.DK S-67 FORK                |
| 2    | 145997   | 1         | FITT.DK S-93 FORK                |
| 3    | 242351   | 1         | O-RING D69.5X3.0 VITON F.S-93    |
| 4    | 242353   | 1         | O-RING 3 X 44.2 VITON            |
| 5    | 322138   | 1         | FITT.DK ELB 1"M X 1"F BSP        |
| 6    | 330326   | 1         | O-RING D30/D24X2 F.1"NUT         |
| 7    | 334545   | 1         | FITT.DK S-93 TEE                 |
| 8    | 334572   | 1         | FITT.DK S-93 ADAPTOR MALE MALE   |
| 9    | 334601   | 1         | FITT.DK S-93 TO S67 ADAPTOR      |
| 10   | 728523   | 1         | FITT.DK S-93 STR.1-1/2" W.O-RING |
| 11   | 16376600 | 1         | CENTERING RING F. EJECTOR NOZZLE |
| 12   | 28030003 | 1         | CLAMP HOSE GEAR P1" 6716         |
| 13   | 28030103 | 1         | CLAMP HOSE GEAR P5/4-S1.5"6724   |
| 14   | 39120900 | 1         | FITT.DK S67 STR.1" 1RG INSIDE    |
| 15   | 39143800 | 1         | NOZZLE T.F. EJECTOR              |
| 16   | 39143900 | 1         | 1" NPT EXT/INT EXTENSION         |
| 17   | 92702603 | 1         | HOSE PVC SUCT GRAY 1-1/2"        |
| 18   | 92712403 | 1         | HOSE R X1" X300PSI WP X0012"     |



**B0840**





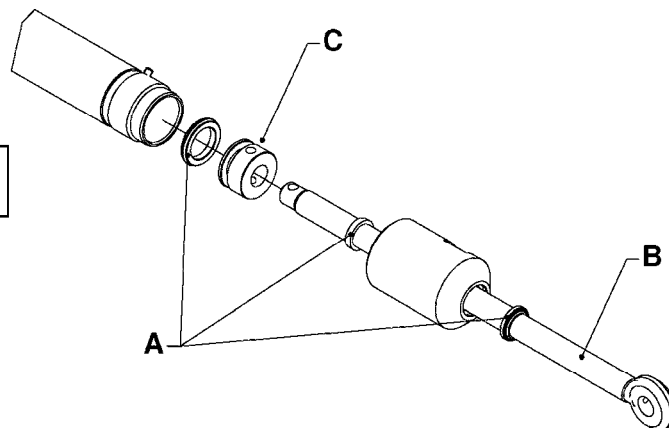
AGITATION VALVE S67 MANUAL  
B0840-HIN, 30:07:19

Page 1  
Date 12.08.2020 9:03

| Pos. | parts-n° | order qty | description   |
|------|----------|-----------|---|
| 1    | 242020   | 1         | O-RING 39.2 X 3 VITON                                     |
| 2    | 322320   | 1         | NUT F.3 WAY VALVE S56                                     |
| 3    | 334497   | 1         | END COVER 3 WAY VALVE S-67                                |
| 4    | 334587   | 1         | FACE PLATE F.BALL VALVE BLACK<br>NAVIGATOR 4500/6200      |
| 4    | 33506500 | 1         | FACE PLATE F.BALL VALVE BLACK<br>COMMANDER 4500/5500/7000 |
| 5    | 334594   | 1         | PLUG F.VALVE HANDLE BLACK                                 |
| 6    | 334600   | 1         | SPINDLE F.3 WAY VALVE                                     |
| 7    | 334903   | 1         | HANDLE S67/93 VALVE BLACK                                 |
| 8    | 390623   | 1         | HOUSING F.3 WAY VALVE                                     |
| 9    | 391180   | 1         | BALL F. AGITATOR S67 ARE 268                              |
| 10   | 410605   | 1         | BOLT HEX 8.8 DEL M6X80                                    |
| 11   | 440729   | 1         | SCREW F. PLASTIC 4MM X40LG SS                             |
| 12   | 460261   | 1         | NUT HEX M6X1.00 LOCK DIN985 A2 SS                         |
| 13   | 471125   | 1         | WASHER M6U 6.4X14X1.2,A2 SS                               |
| 14   | 728579   | 1         | SEAL F BALL   |
| 15   | 44074800 | 1         | SCREW F. PLASTIC 4MM X10 WN1413 SS                        |
| 16   | 72283600 | 1         | VALVE S67 AGITATION NCM<br>COMMANDER 4500/5500/7000       |
| 16   | 72386800 | 1         | VALVE AGGITATION VAR NAV<br>NAVIGATOR 4500/6200           |
| 17   | 74193000 | 1         | REPAIR KIT FOR S67 VALVE                                  |
| 18   | 97800300 | 1         | DECAL AGITATION,VARIABLE                                  |
| 19   | 97810900 | 1         | DECAL AGITATION NCM                                       |



Check cylinder barrel for stamped part number.



|        |        | A      | B        | C        |
|--------|--------|--------|----------|----------|
| 781030 |        | 750247 | 615030   | 146443   |
| 781031 |        | 750248 | 615040   | 146484   |
| 781033 |        | 750248 | 615174   | 146484   |
| 781035 |        | 750247 | 146610   | 146443   |
|        | 781038 | 750247 | 615210   | 146443   |
| 781039 |        | 750250 | 615656   | 147254   |
|        | 781041 | 750253 | 615232   | 146749   |
|        | 781043 | 750251 | 615210   | 146858   |
| 781044 |        | 750248 | 615316   | 146484   |
| 781045 |        | 750273 | 615358   | 146443   |
|        | 781047 | 750251 | 615363   | 146858   |
|        | 781051 | 750273 | 615570   | 146443   |
| 781052 |        | 750273 | 147127   | 146443   |
| 781053 |        | 750273 | 147151   | 146443   |
| 781058 |        | 750251 | 615643   | 146858   |
| 781060 |        | 750250 | 615656   | 147254   |
| 781065 |        | 750273 | 147127   | 146443   |
| 781067 |        | 755695 | 147468   | 147469   |
| 781078 |        | 750251 | 615643   | 146858   |
| 781080 |        | 750247 | 147601   | 146443   |
| 781083 |        | 755697 | 616065   | 147463   |
| 781084 |        | 750247 | 616070   | 146443   |
| 781087 |        | 750689 | 147127   | 146858   |
| 781090 |        | 750669 | 61003600 | 14005600 |

|          |  | A      | B        | C        |
|----------|--|--------|----------|----------|
| 781093   |  | 750693 | 14018900 | 14022200 |
| 781096   |  | 750691 | 61025200 | 14015500 |
| 781097   |  | 750691 | 61022800 | 14015500 |
| 781100   |  | 750692 | 14022400 | 14038500 |
| 781107   |  | 750713 | 14028900 | 14024100 |
| 781109   |  | 750713 | 14029100 | 14024100 |
| 781111   |  | 750713 | 14029100 | 14024100 |
| 781113   |  | 750714 | 61028900 | 14038400 |
| 781115   |  | 750709 | 61029200 | 14029700 |
| 781116   |  | 750712 | 14030200 | 14038400 |
| 781118   |  | 750710 | 14030600 | 14029700 |
| 781119   |  | 750710 | 14030700 | 14029700 |
| 781121   |  | 750711 | 14030900 | 14029700 |
| 781122   |  | 750711 | 14030900 | 14029700 |
| 781123   |  | 750711 | 14031100 | 14029700 |
| 781124   |  | 750711 | 14031100 | 14029700 |
| 781126   |  | 750710 | 14036200 |          |
| 781127   |  | 750709 | 61033600 |          |
| 781130   |  | 750715 | 61031000 | 14027500 |
| 781132   |  | 750668 | 63039300 |          |
| 781138   |  | 750715 | 61038000 | 14027500 |
| 781139   |  | 750725 | 615656   |          |
| 781141   |  | 750724 | 61022800 |          |
| 78100003 |  | 750691 | 61022800 | 14008203 |

**C0020**



| parts-n° | order qty | description                    |
|----------|-----------|--------------------------------|
| 146443   | 1         | HYDR.PISTON D49.8/23.0 L=35    |
| 146484   | 1         | HYDR.PISTON D39.8/18.0 L=25    |
| 146610   | 1         | PISTON ARM F.CYL Ø50/25-150    |
| 146749   | 1         | PISTON RING F.D70/50-700       |
| 146858   | 1         | HYDR.PISTON D59.8/23.0 L=35    |
| 147127   | 1         | PISTON BAR Ø30,0 - 385MM       |
| 147151   | 1         | PISTON BAR D30.0 - 585MM       |
| 147254   | 1         | HYDR.PISTON D25/12 L=12        |
| 147463   | 1         | PISTON RING F.D70/40           |
| 147468   | 1         | ROD CYLINDER F. 781067 HYD CYL |
| 147469   | 1         | PISTON F. 781067 HYD CYL       |
| 147601   | 1         | PISTON ARM F. CYL. Ø25 L=348   |
| 615030   | 1         | PISTON ARM F.CYL Ø50/25-300    |
| 615040   | 1         | PISTON ARM F.CYL Ø40/20-120    |
| 615174   | 1         | PISTON ROD F. HY CYLINDER      |
| 615210   | 1         | HINGE PIN W.FORK L=1015        |
| 615232   | 1         | PISTON ARM F.CYL Ø70/50-700    |
| 615316   | 1         | PISTON ARM F. CYL. D40/20-500  |
| 615358   | 1         | PISTON ARM F.CYL Ø50/30-500    |
| 615363   | 1         | PISTON ARM F.CYL Ø25 L=1315    |
| 615570   | 1         | CYLINDER ROD F.HY CYL.781051   |
| 615643   | 1         | PISTON BAR 060-25 - 830MM      |
| 615656   | 1         | PISTON BAR FOR 025/12-50       |
| 616065   | 1         | PISTON ARM F. CYL. Ø40/400     |
| 616070   | 1         | PIST ARM Ø50/25L=300alt781113  |
| 750247   | 1         | SEAL KIT F.HY CYL.781030/35/38 |
| 750248   | 1         | SEAL KIT F.HY CYL.781031/33    |
| 750250   | 1         | SEAL KIT F.HY CYL.781039       |
| 750251   | 1         | SEAL KIT F.HY CYL.             |
| 750253   | 1         | SEAL KIT F.HY CYL.781041       |
| 750273   | 1         | GASKET SET F.HY-CYL 781051-52  |
| 750668   | 1         | SEAL KIT FOR CYLINDER 781089   |
| 750669   | 1         | SEAL KIT F.HY CYL. 781090      |
| 750689   | 1         | SEAL KIT F.HY CYL.781087       |
| 750691   | 1         | SEAL KIT F HY CYL.781095/96/97 |
| 750692   | 1         | SEAL KIT F.HY CYL.781100       |
| 750693   | 1         | SEAL KIT F.HY CYL.781093       |
| 750709   | 1         | GASKET SET F.781115/25         |
| 750710   | 1         | SEAL KIT F.HY CYL.781118/19/20 |
| 750711   | 1         | SEAL KIT F.781121/22/23/24     |
| 750712   | 1         | SEAL KIT F.781116              |
| 750713   | 1         | SEAL KIT F HY CYL.781103/6/7/8 |
| 750714   | 1         | SEAL KIT F.HY CYL.781113/14/17 |
| 750715   | 1         | SEAL KIT F.HY CYL.781105/30/38 |
| 750724   | 1         | SEAL KIT F.HY CYL.781141       |
| 750725   | 1         | SEAL KIT F.HY CYL.781131-39    |
| 755695   | 1         | SEAL KIT F. HYD CYL 781067     |
| 755697   | 1         | SEAL KIT F.HY CYL.781083       |
| 781030   | 1         | CYLINDER DOUBLE Ø50/25-300     |
| 781031   | 1         | CYLINDER DOUBLE Ø40/20-120     |
| 781033   | 1         | CYLINDER DOB Ø40/20-300 781115 |
| 781035   | 1         | CYLINDER DOUBLE Ø50/25-150     |
| 781038   | 1         | CYLINDER Ø50/25-900            |
| 781039   | 1         | CYL D25/12-50 172MM alt 781139 |
| 781041   | 1         | CYLINDER DOUBLE Ø70/50-700     |
| 781043   | 1         | CYLINDER DOUBLE D60/25-900     |
| 781044   | 1         | CYLINDER DOUBLE D40/20-300     |
| 781045   | 1         | CYLINDER DOUBLE Ø50/30-500     |
| 781047   | 1         | CYLINDER Ø60/25-1200           |
| 781051   | 1         | CYLINDER DOUBLE Ø50/30-600     |
| 781052   | 1         | SUBSTITUTE 78121600            |



| parts-n° | order qty | description                    |
|----------|-----------|--------------------------------|
| 781053   | 1         | CYL F INN WING FLD alt 781107  |
| 781058   | 1         | CYLINDER 60/25 X 725 CM PAR LH |
| 781060   | 1         | CYLINDER D25/12-50 L=210mm     |
| 781065   | 1         | CYLINDER F.WING TILT           |
| 781067   | 1         | CYL DOUB D50/30-300 78121600   |
| 781078   | 1         | CYLINDER 60/25 X 725 CM PAR RH |
| 781080   | 1         | CYLINDER DOUBLE D50/25-250     |
| 781083   | 1         | CYLINDER DOUBLE D70/40-400     |
| 781084   | 1         | CYLINDER D50/25 L=300          |
| 781087   | 1         | CYL DOUB 60/30-300 alt 781100  |
| 781090   | 1         | CYL DBLD32/16-200W             |
| 781093   | 1         | CYLINDER FOLD SPC D60/30 L=300 |
| 781096   | 1         | CYLINDER 60/25 X 662 NAV PAR   |
| 781097   | 1         | CYLINDER 60/25 X 725 CM PAR    |
| 781100   | 1         | CYLINDER DOUBLE 60/30-300      |
| 781107   | 1         | DOBCYL50/30-500/M24X2 78121200 |
| 781109   | 1         | DOUBLE CYLINDER D 50/30-300    |
| 781111   | 1         | CYL DOUB D50/30-300 78121600   |
| 781113   | 1         | CYLINDER D50/25 L=300          |
| 781115   | 1         | CYLINDER DOUBLE Ø40/20-300     |
| 781116   | 1         | CYLINDER DOUBLE D50/25-298     |
| 781118   | 1         | CYLINDER DOUBLE D40/20-180     |
| 781119   | 1         | DOUBLE CYLINDER D 40/20-300    |
| 781121   | 1         | CYLINDER D40/22-300 BLACK      |
| 781122   | 1         | CYLINDER D40/22X300MM RED      |
| 781123   | 1         | CYLINDER D40/22-300 BLACK      |
| 781124   | 1         | CYLINDER 40/22X300MM RED       |
| 781126   | 1         | CYLINDER DOUBLE D40/20-120     |
| 781127   | 1         | CYLINDER D40/20-120            |
| 781130   | 1         | CYLINDER DOUBL. D70/40-320     |
| 781132   | 1         | CYL.STAB CM1200 04 78126000    |
| 781138   | 1         | CYLINDER DOUBL. D70/40-265     |
| 781139   | 1         | CYLINDER D25/12-50             |
| 781141   | 1         | CYLINDER 60/25 X 635 DELTA PAR |
| 14005600 | 1         | HYDR.PISTON D32.0/16.0 L=25    |
| 14008203 | 1         | HYD. CYLINDER PISTON CM+750    |
| 14015500 | 1         | HYDR.PISTON D60.0/25.0 L=40    |
| 14018900 | 1         | PISTON ARM F. CYL. Ø30 L=420   |
| 14022200 | 1         | HYDR.PISTON D59.4/20.0 L=34.9  |
| 14022400 | 1         | PISTON ARM F. CYL. Ø60 L=412   |
| 14024100 | 1         | HYDR.PISTON D49.4/20.0 L=35    |
| 14027500 | 1         | HYDR.PISTON D69.4/24.0 L=35    |
| 14028900 | 1         | CYLINDER ROD D30.0 L=609.0     |
| 14029100 | 1         | CYLINDER ROD D30.0 L=409.0     |
| 14029700 | 1         | HYDR.PISTON D38.0/16.0 L=25    |
| 14030200 | 1         | CYLINDER ROD D25.0 L=398       |
| 14030600 | 1         | CYLINDER ROD D20.0 L=281.0     |
| 14030700 | 1         | CYLINDER ROD D20.0 L=401       |
| 14030900 | 1         | CYLINDER ROD D22.0 L=401       |
| 14031100 | 1         | CYLINDER ROD D22.0 L=439/M22   |
| 14036200 | 1         | CYLINDER ROD D20.0 L=221.0     |
| 14038400 | 1         | HYDR.PISTON D49.4/20.0 L=34.9  |
| 14038500 | 1         | PISTON HYD. CYL. Ø60/Ø25       |
| 61003600 | 1         | CYLINDER ROD F. 781090         |
| 61022800 | 1         | PISTON ARM F.CYL.Ø60/25L=856.5 |
| 61025200 | 1         | PISTON ARM F.CYL.Ø60/25L=786.5 |
| 61028900 | 1         | PISTON ARM F.CYL.Ø50/25-300    |
| 61029200 | 1         | PISTON ARM F.CYL.Ø40/20-300    |
| 61031000 | 1         | CYLINDER ROD FOR D70/40 - 320  |
| 61033600 | 1         | PISTON ARM F.CYL.Ø40/20 L=120  |
| 61038000 | 1         | CYLINDER ROD FOR D70/40        |



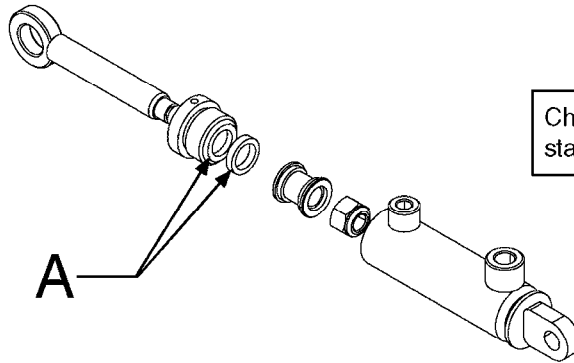
HYDRAULICS - CYLINDERS  
C0020-HIN, 01:01:16

Page 3

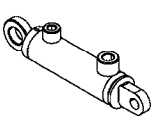
Date 12.08.2020 9:03

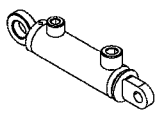
| parts-n°             | order qty | description   |
|----------------------|-----------|---|
| 63039300<br>78100003 | 1<br>1    | CYLINDER ROD F.781132<br>CYL. PARA-LIFT CM+750 W/STOP |

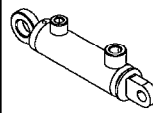




Check cylinder barrel for stamped part number.

|  | A        |
|---|----------|
| 781136  | 28064100 |
| 781137  | 28064200 |
| 78114300  | 75083800 |
| 78120000  | 75075900 |
| 78120100  | 75076000 |
| 78120200  | 75075900 |
| 78120300  | 75076100 |
| 78120400  | 75074200 |
| 78120500  | 75074600 |
| 78120600  | 28117300 |
| 78120700  | 28117300 |
| 78120800  | 75075400 |
| 78121000  | 75075500 |
| 78121200  | 75074500 |
| 78121300  | 75074500 |
| 78121400  | 75075200 |
| 78121600  | 75074500 |
| 78121800  | 75074400 |
| 78122000  | 75074300 |
| 78122100  | 75074400 |
| 78122300  | 75074300 |
| 78122400  | 75074300 |
| 78122600  | 75075000 |
| 78122700  | 75075000 |

|  | A        |
|---|----------|
| 78122800  | 75075000 |
| 78122900  | 75075000 |
| 78123000  | 75074300 |
| 78123100  | 75074300 |
| 78123200  | 75074300 |
| 78123400*   | 75074800 |
| 78123700  | 75074900 |
| 78124100  | 75075500 |
| 78124300  | 28117300 |
| 78124400  | 75074400 |
| 78124500  | 75076400 |
| 78124600  | 75074300 |
| 78125100  | 75075500 |
| 78125300  | 75075500 |
| 78125500  | 28117300 |
| 78125800  | 75076400 |
| 78126000  | 75074900 |
| 78126400  | 75076500 |
| 78126500  | 75074800 |
| 78127200  | 75084400 |
| 78127800  | 75084500 |
| 78128000  | 75074600 |
| 78128100  | 75084700 |
| 78128200  | 75084800 |

|  | A        |
|---|----------|
| 78128500  | 75084900 |
| 78128700  | 75075200 |
| 78128800  | 75075200 |
| 78129900  | 75074300 |
| 78130600  | 75074400 |
| 78130900  | 75085400 |
| 78131000  | 75075400 |
| 78131100  | 75085500 |
| 78131200  | 75084800 |
| 78131300  | 75085800 |
| 78131400  | 75084800 |
| 78131800  | 75586200 |
| 78132600  | 75587200 |
| 78132700  | 75084600 |
| 78132800  | 75586100 |
| 78132900  | 75586100 |
| 78133300  | 75587000 |
| 78133900  | 75075500 |
| 78134000  | 75075500 |
| 78134600  | 75075400 |
| 78509004  | 75084800 |

\* Only available as 72320300 (78123400 with spring lock & fittings).

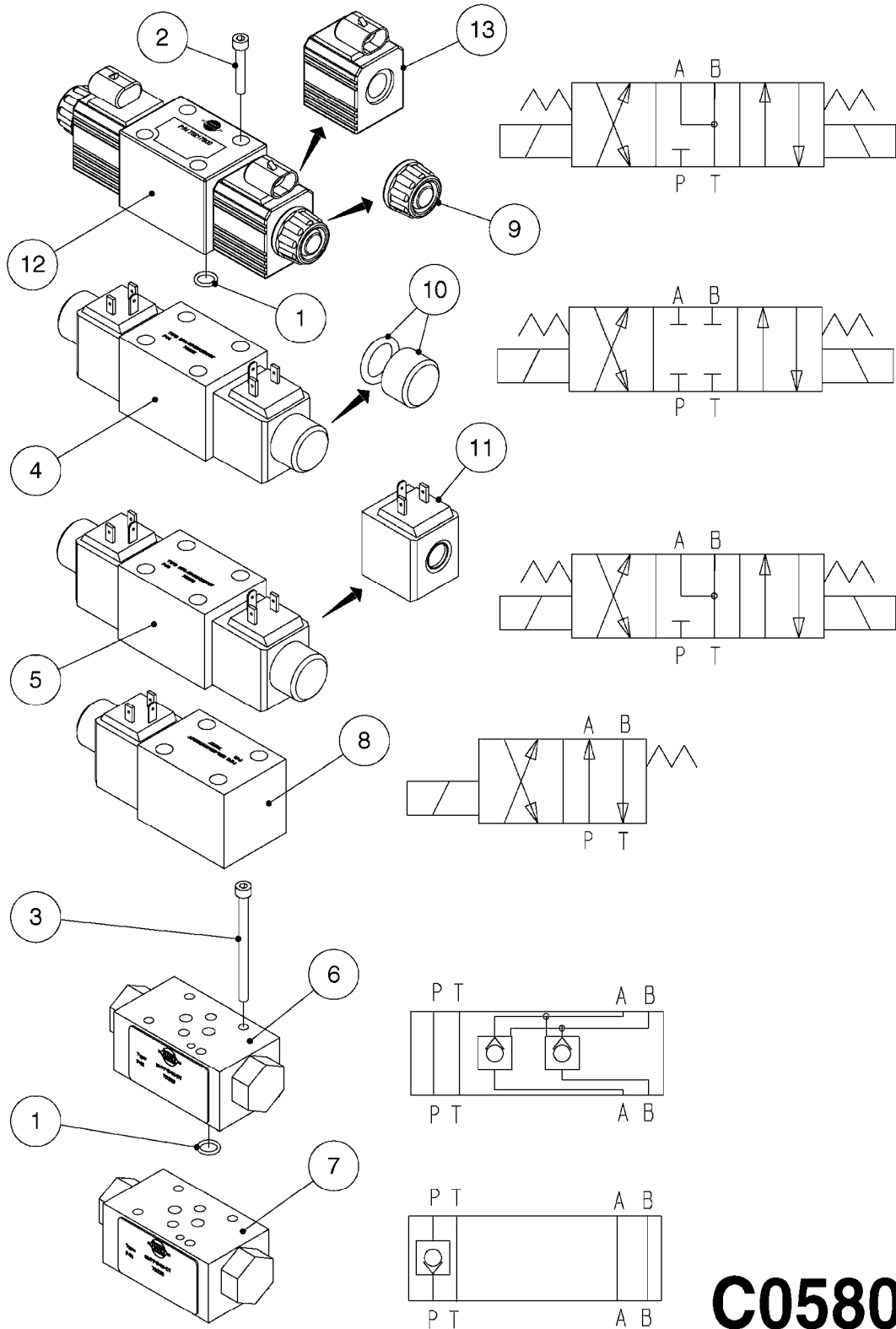
**C0040**



| parts-n° | order qty | description                              |
|----------|-----------|--|
| 781136   | 1         | HYDRAULIC SHOCK NCM4400 SUSP.            |
| 781137   | 1         | HYDRAULIC SHOCK NCM6600 SUSP.            |
| 28064100 | 1         | GASKET SET FOR CYL. 781136               |
| 28064200 | 1         | GASKET SET FOR CYL. 781137               |
| 28117300 | 1         | SEAL KIT 78120600/07/43                  |
| 72320300 | 1         | HYD. CYL. STEERING LOCK CM "05           |
| 75074200 | 1         | SEAL KIT 78120400                        |
| 75074300 | 1         | SEALKIT78122000/23-25/30-32/46           |
| 75074400 | 1         | SEAL KIT 78121800/21/44                  |
| 75074500 | 1         | SEALKIT78121100-13/15/16/36/48           |
| 75074600 | 1         | SEAL KIT 78120500/49                     |
| 75074800 | 1         | SEAL KIT 78123400/42                     |
| 75074900 | 1         | SEAL KIT 78123700                        |
| 75075000 | 1         | SEAL KIT 78122600/27/28/29               |
| 75075200 | 1         | SEAL KIT 78120900/14/50                  |
| 75075400 | 1         | SEAL KIT 78120800                        |
| 75075500 | 1         | SEAL KIT 78121000/33/41/51/53            |
| 75075900 | 1         | SEAL KIT FOR 78120000 & 78120200         |
| 75076000 | 1         | SEAL KIT 78120100                        |
| 75076100 | 1         | SEAL KIT 78120300                        |
| 75076400 | 1         | SEAL KIT 78124500 & 78125800             |
| 75076500 | 1         | SEAL KIT 78126400                        |
| 75083800 | 1         | SEAL KIT F.78114300                      |
| 75084400 | 1         | SEAL KIT FOR 78127200/7500               |
| 75084500 | 1         | SEAL KIT FOR 78127800                    |
| 75084600 | 1         | SEAL KIT FOR 781279/8600                 |
| 75084700 | 1         | SEAL KIT FOR 78128100                    |
| 75084800 | 1         | SEAL KIT FOR 78128200/78131200           |
| 75084900 | 1         | SEAL KIT FOR 78128500                    |
| 75085400 | 1         | SEAL KIT FOR 78130900                    |
| 75085500 | 1         | SEAL KIT FOR HYDRAULIC CYLINDER 78131100 |
| 75085800 | 1         | SEAL KIT F. CYL. 78130400                |
| 75586100 | 1         | SEAL KIT FOR 78131700                    |
| 75586200 | 1         | SEALKIT 80/40 FOR 78131800               |
| 75587000 | 1         | SEAL KIT FOR 78133300                    |
| 75587200 | 1         | SEAL KIT FOR 78132600                    |
| 78114300 | 1         | CYLINDER 70/30 X 662 LG PAR R            |
| 78120000 | 1         | CYL. TELESCOPING Ø50/40/25 1100          |
| 78120100 | 1         | CYLINDER TELESC.65/40-1237               |
| 78120200 | 1         | HY. CYLINDER D50/40/25 - 1200            |
| 78120300 | 1         | CYLINDER 60/50/30 1100MM                 |
| 78120400 | 1         | CYL DBLD32/16-200W                       |
| 78120500 | 1         | CYLINDER FOLD SPC D60/30 L=300           |
| 78120600 | 1         | CYLINDER 60/25 X 662 NAV PAR L           |
| 78120700 | 1         | SIN.CYL.Ø60/25-725 2XØ25 LEFT            |
| 78120800 | 1         | CYLINDER DOUBLE 60/30-300                |
| 78121000 | 1         | CYLINDER DOUBLE D70/40-400               |
| 78121200 | 1         | CYLINDER, D50/30-500                     |
| 78121300 | 1         | CYLINDER DBLE Ø50/30-600(700)            |
| 78121400 | 1         | DOUBLE CYLINDER D 50/30-300              |
| 78121600 | 1         | CYLINDER DOUBLE D50/30-300               |
| 78121800 | 1         | CYLINDER D50/25 L=300                    |
| 78122000 | 1         | CYLINDER DOUBLE Ø40/20-300 0°            |
| 78122100 | 1         | CYLINDER DOUBLE D50/25-298               |
| 78122300 | 1         | CYLINDER DOUBLE D40/20-180               |
| 78122400 | 1         | DOUBLE CYLINDER D 40/20-300              |
| 78122600 | 1         | CYLINDER D40/22-300 BLACK                |
| 78122700 | 1         | CYLINDER D40/22X300MM RED                |
| 78122800 | 1         | CYLINDER D40/22-300 BLACK                |
| 78122900 | 1         | CYLINDER 40/22X300MM RED                 |
| 78123000 | 1         | CYL DOUBLE Ø40/20-120                    |



| parts-n° | order qty | description                           |
|----------|-----------|---------------------------------------|
| 78123100 | 1         | CYLINDER DOUBLE D40/20-120            |
| 78123200 | 1         | CYLINDER D40/20-120                   |
| 78123400 | 1         | CYLINDER FOR TRACK LOCK, NCM          |
| 78123700 | 1         | CYLINDER,DAMPNER,LOCK 78126000        |
| 78124100 | 1         | CYL DOB.D70/40-265 AIR INLET R        |
| 78124300 | 1         | CYLINDER 60/25 X 635 DELTA L          |
| 78124400 | 1         | CYLINDER DOUBLE D50/25 250            |
| 78124500 | 1         | CYLINDER 70/30 X 662 LG PAR L         |
| 78124600 | 1         | CYLINDER DOUBLE Ø40/20-300 90°        |
| 78125100 | 1         | DBL CYL D70/40-320 AIR INLET R        |
| 78125300 | 1         | CYL DOB.D70/40-265 AIR INLET L        |
| 78125500 | 1         | CYLINDER 60/25 X 662 NAV PAR R        |
| 78125800 | 1         | CYLINDER 70/30 X 662 LG PAR R         |
| 78126000 | 1         | CYLINDER,DAMPNER,LOCKING              |
| 78126400 | 1         | CYLINDER DBLE D32/16-200 W.STP        |
| 78126500 | 1         | CYLINDER D25/12-50 FAROIL NNAV        |
| 78127200 | 1         | CYLINDER DOUB. D40/25 L=455           |
| 78127800 | 1         | HYDRAULIC CYLINDER 25-40              |
| 78128000 | 1         | CYLINDER DOUB. D60/30 L=300 09        |
| 78128100 | 1         | CYLINDER 70/30-300/TILT TDZ           |
| 78128200 | 1         | PLUNGECYLINDER 70/840 2X30            |
| 78128500 | 1         | CYLINDER DOUBLE PLUNGER D60X75        |
| 78128700 | 1         | CYLINDER DOUBLE D50/30 500            |
| 78128800 | 1         | CYLINDER, D50/30-500                  |
| 78129900 | 1         | CYLINDER DOUBLE D40/20 180 1/4        |
| 78130600 | 1         | DOB.CYL.Ø50/25-240/M. SENSOR          |
| 78130900 | 1         | CYLINDER, D70/40-500 TDZ FOLD         |
| 78131000 | 1         | CYLINDER, 60/30X462, 120' SPC         |
| 78131100 | 1         | HY. CYLINDER, 70/40X400               |
| 78131200 | 1         | PLUNGECYLINDER 70/838 2X30            |
| 78131300 | 1         | CYLINDER, D70/40-500 TDZ FOLD         |
| 78131400 | 1         | PLUNGE CYLINDER D70 L=838 2X35        |
| 78131800 | 1         | CYLINDER 80/40-300/ TILT TDZ          |
| 78132600 | 1         | DOB.CYL.Ø90/50-350/Ø35                |
| 78132700 | 1         | DOB.CYL.Ø70/30-436/ Ø30               |
| 78132800 | 1         | DOB.CYL.Ø70/30-360/M30 SPEC.          |
| 78132900 | 1         | DOB.CYL.Ø70/30-280/M30 SPEC.          |
| 78133300 | 1         | DOB.CYL.Ø50/30 500 END DAMPING        |
| 78133900 | 1         | DOB.CYL.Ø70/40-322 TRACK RIGHT '15    |
| 78134000 | 1         | DOB.CYL.Ø70/40-322 TRACK LEFT '15     |
| 78134600 | 1         | SIN.CYL.Ø60/30 380 M24X2              |
| 78509004 | 1         | PLUNGECYLINDER 70/838 Ø30, CM85/10000 |



**C0580**

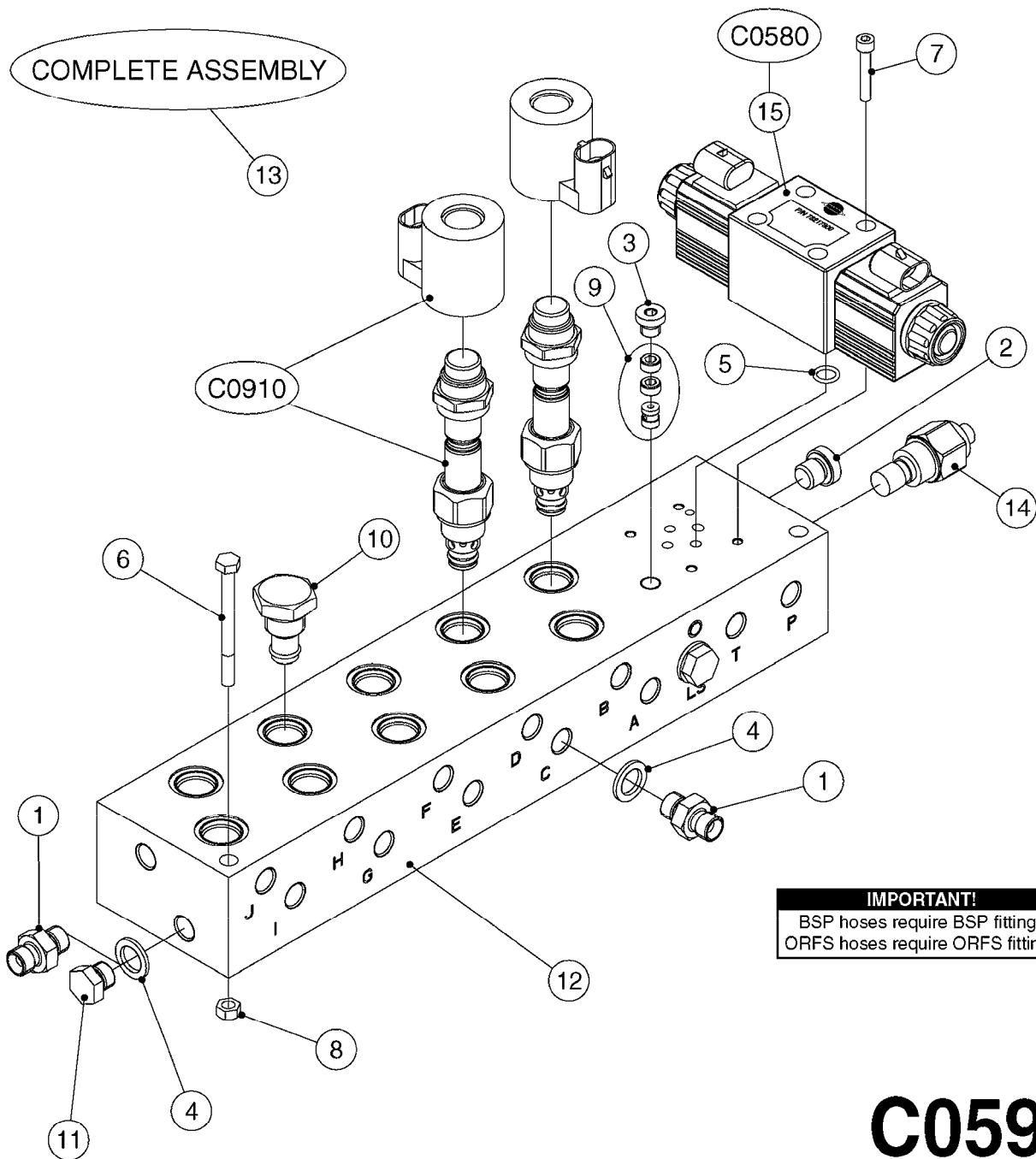


CETOP VALVES  
C0580-HIN, 01:01:16

Page 1

Date 12.08.2020 9:03

| Pos. | parts-n° | order qty | description                           |
|------|----------|-----------|---------------------------------------|
| 1    | 242102   | 1         | O-RING Ø9.25X1.78 NITRIL 90SH         |
| 2    | 450964   | 1         | SCREW M5X30 F.CYLINDER                |
| 3    | 450965   | 1         | SCREW ROUND M5X70                     |
| 4    | 782115   | 1         | HY SOLENOID VALVE DH HYD              |
| 5    | 782116   | 1         | HY SOLENOID VALVE MD1L-S3/10N-D12K1/P |
| 6    | 782118   | 1         | LOCK VALVE MVPP-D                     |
| 7    | 782146   | 1         | HYD. CHECK VALVE 1 WAY                |
| 8    | 782829   | 1         | SOLENOID MD1L-TA/10N-D12K1/DT         |
| 9    | 28123700 | 1         | CAP F.SOLENOID - MD1L                 |
| 10   | 74187700 | 1         | CAP + O-RING F.CETOP - MD1L           |
| 11   | 78216000 | 1         | SOLENOID F.CETOP VALVE - MD1L         |
| 12   | 78217800 | 1         | MAGNET VLV.MD1L-S3/10N-D12K8DT        |
| 13   | 78218200 | 1         | SOLENOID W/AMP F.MD1L                 |



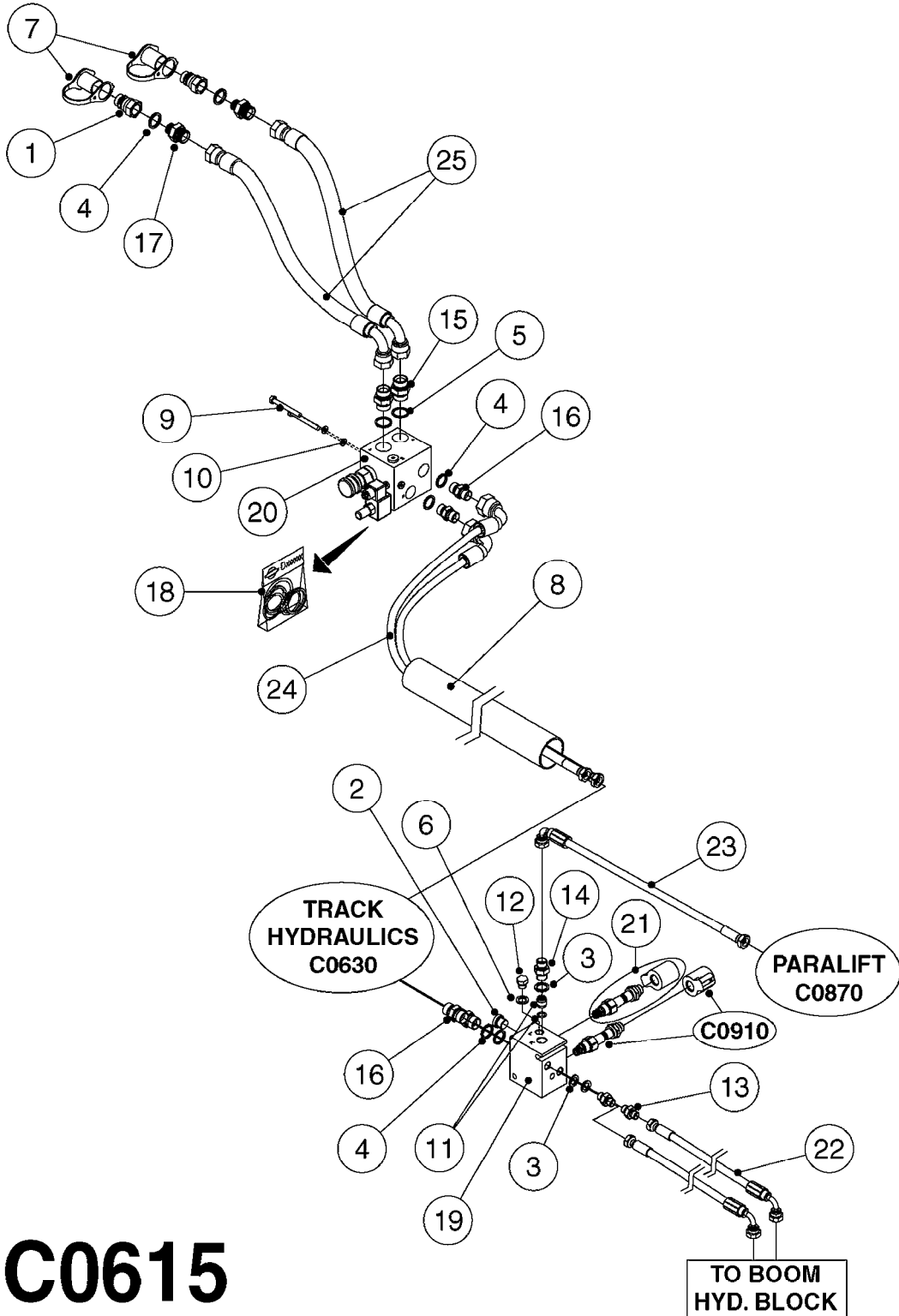
# C0590



HYD.BLOCK EAGLE/FORCE 2012  
C0590-HIN, 13:05:19

Page 1  
Date 12.08.2020 9:03

| Pos. | parts-n° | order qty | description                           |
|------|----------|-----------|---------------------------------------|
| 1    | 146845   | 1         | HEX NIPPLE 1/4"x1/4"<br>BSP           |
| 1    | 23234500 | 1         | HEX NIPPLE 1/4" - 9/16"<br>ORFS       |
| 1    | 146851   | 1         | HEX NIPPLE 1/4"x1/4" 0.7MM<br>BSP     |
| 1    | 23234700 | 1         | HEX NIPPLE 1/4"-9/16" - 0.7mm<br>ORFS |
| 1    | 147498   | 1         | HEX NIPPLE 1/4"-1/4" 1.2mm<br>BSP     |
| 1    | 23234100 | 1         | HEX NIPPLE 1/4"-9/16" - 1.2mm<br>ORFS |
| 2    | 231103   | 1         | PLUG 1/4" BSP, O-RING 08BPUP04        |
| 3    | 231987   | 1         | PLUG 1/8" BSP W/GASKET                |
| 4    | 241404   | 1         | DOWTY SEAL 1/4"                       |
| 5    | 242102   | 1         | O-RING Ø9.25X1.78 NITRIL 90SH         |
| 6    | 420847   | 1         | BOLT HEX 8.8 DEL M8X85                |
| 7    | 450964   | 1         | SCREW M5X30 F.CYLINDER                |
| 8    | 460143   | 1         | LOCK NUT M8 SST A2 DIN985             |
| 9    | 782124   | 1         | SWITCH VALVE OUTS.1/8" 5000PSI        |
| 10   | 782131   | 1         | BLIND PLUG F.3/4" CARTR.VALVE         |
| 11   | 14010400 | 1         | PLUG 1/4" BSP                         |
| 12   | 14098600 | 1         | HYD. BLOCK SPC/FTZ 3/4" 2010          |
| 13   | 70084403 | 1         | HYD. BLOCK, 5P, FOLD/FLOW             |
| 14   | 78216800 | 1         | FLOW REGULATING VALVE, 3/4"           |
| 15   | 78217800 | 1         | MAGNET VLV.MD1L-S3/10N-D12K8DT        |



**C0615**

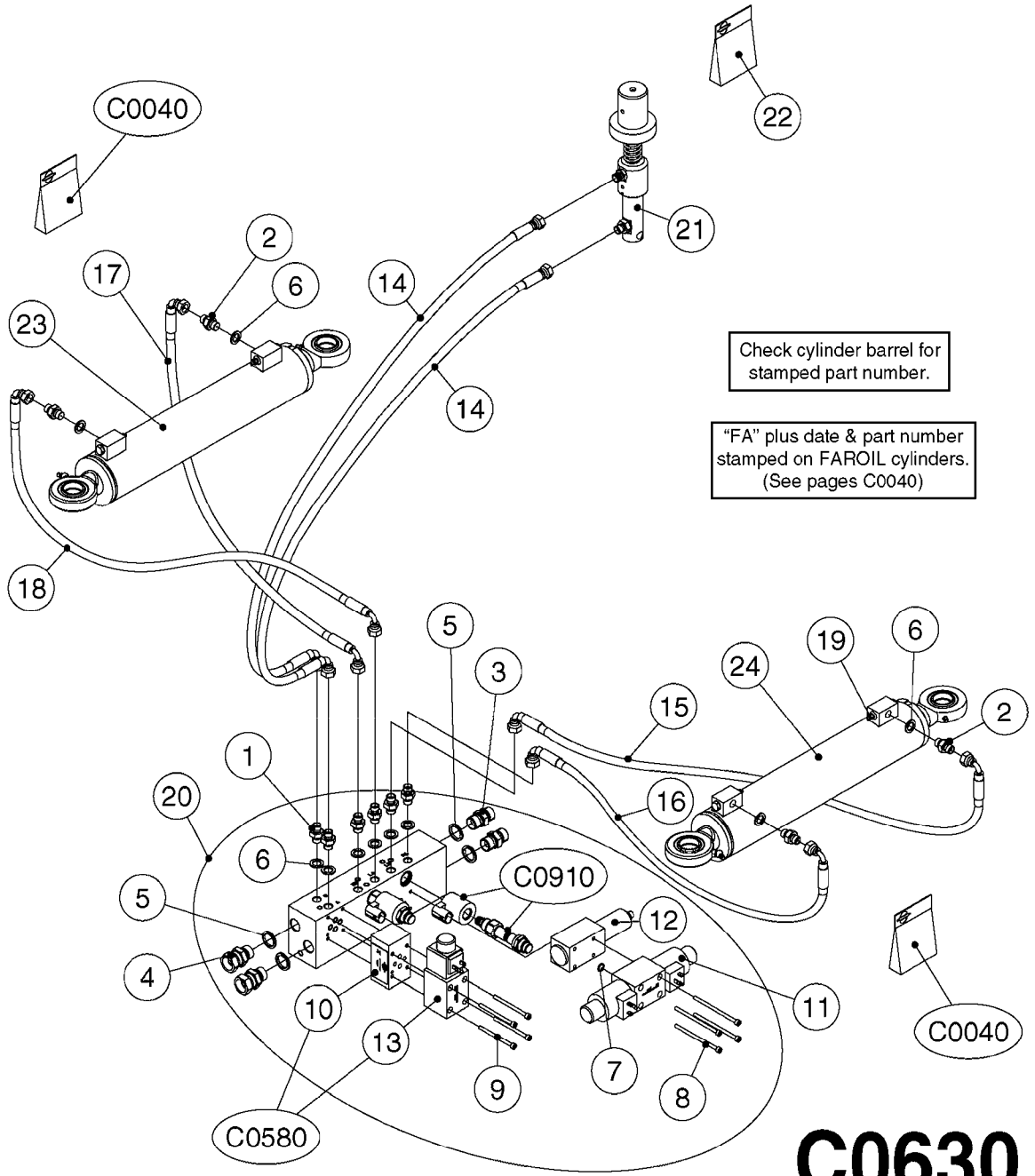




BASIC HYDRAULICS CM  
4500/5500/7000/8500/10000  
C0615-HIN, 03:07:19

Page 1  
Date 12.08.2020 9:03

| Pos. | parts-n° | order qty | description  |
|------|----------|-----------|--|
| 1    | 230311   | 1         | QUICK COUPLING 1/2"                                    |
| 2    | 231924   | 1         | PLUG 3/8"  |
| 3    | 240866   | 1         | DOWTYSEAL 3/8"   |
| 4    | 241356   | 1         | DOWTYSEAL 1/2"   |
| 5    | 241367   | 1         | DOWTYSEAL 28.5x22                                      |
| 6    | 241404   | 1         | DOWTY SEAL 1/4"  |
| 7    | 334206   | 1         | DUST HOOD FOR HY-COUPLING                              |
| 8    | 341333   | 1         | TUBE Ø57/Ø52 L=1500 BLACK PE                           |
| 9    | 421201   | 1         | BOLT HEX 8.8 DEL M8X70                                 |
| 10   | 470407   | 1         | WASHER D14.8D8.1X2 LOCK SS                             |
| 11   | 782062   | 1         | NON-RETURN VALVE UTV 3/8"                              |
| 12   | 14010400 | 1         | PLUG 1/4" BSP  |
| 13   | 23234300 | 1         | HEX NIPPLE 3/8"-11/16"                                 |
| 14   | 23234600 | 1         | HEX NIPPLE 3/8"-11/16" - 1.8mm                         |
| 15   | 23235000 | 1         | HEX NIPPLE 3/4"-1-3/16"                                |
| 16   | 23235300 | 1         | HEX NIPPLE 1/2"-13/16"                                 |
| 17   | 23236100 | 1         | HEX NIPPLE 1/2"-1-3/16"                                |
| 18   | 28061400 | 1         | SEAL KIT F. 782145                                     |
| 19   | 72286200 | 1         | HYD. BLOCK COMP. PARA-LIFT NCM<br>CM 8500/10000        |
| 19   | 72809300 | 1         | PARALIFT HYD.BLOCK ASSY.CM'11<br>CM 4500/5500/7000     |
| 20   | 72809100 | 1         | BYPASS BLOCK 782145                                    |
| 21   | 75586600 | 1         | SOLENOID VALVE NC, + COIL                              |
| 22   | 78503603 | 1         | HY.HO.3/8"L= 4700<br>STR-90°<br>CM 4500                |
| 22   | 78560000 | 1         | HY.HO.3/8"L= 5600<br>STR-90°<br>CM 5500/7000           |
| 23   | 78560100 | 1         | HY.HO.3/8"L= 900<br>STR-90°                            |
| 24   | 78570100 | 1         | HY.HO.1/2"L= 2900<br>STR-90°<br>CM 4500 NO STEER       |
| 24   | 78570600 | 1         | HY.HO.1/2"L= 2550<br>STR-90°<br>CM 4500 STEER          |
| 24   | 78570800 | 1         | HY.HO.1/2"L= 3350<br>STR-90°<br>CM 8500/10000          |
| 24   | 78573200 | 1         | HY.HO.1/2" L= 3600<br>STR-90°<br>CM 5500/7000 NO STEER |
| 24   | 78573300 | 1         | HY.HO.1/2" L= 3200<br>STR-90°<br>CM 5500/7000 STEER    |
| 25   | 78580600 | 1         | HY.HO.3/4"L= 3100<br>STR-90°<br>CM 4500/8500/10000     |
| 25   | 78583700 | 1         | HY.HO.3/4" L= 3400<br>STR-90°<br>CM 5500/7000          |



**C0630**



TRACK HYDRAULICS NCM 4400/6600  
C0630-HIN, 14:05:19

Page

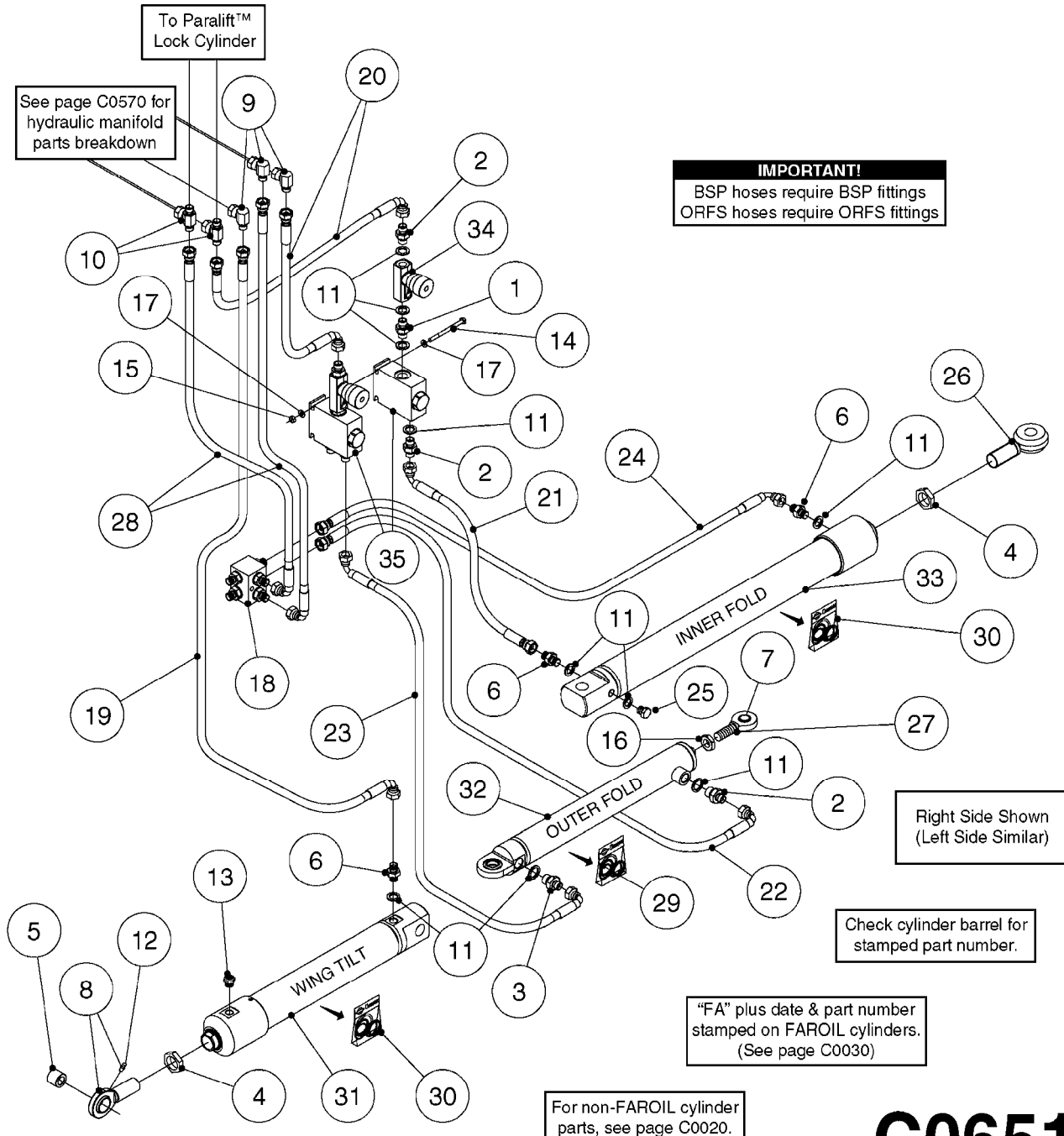
1

Date

12.08.2020

9:03

| Pos. | parts-n° | order qty | description                         |
|------|----------|-----------|-------------------------------------|
|      |          | 1         | BSP                                 |
| 1    | 146845   | 1         | HEX NIPPLE 1/4"X1/4"                |
| 1    | 23234500 | 1         | HEX NIPPLE 1/4" - 9/16"             |
|      |          |           | ORFS                                |
| 2    | 146851   | 1         | HEX NIPPLE 1/4"x1/4" 0.7MM          |
|      |          |           | BSP                                 |
| 2    | 23234700 | 1         | HEX NIPPLE 1/4"-9/16" - 0.7mm       |
|      |          |           | ORFS                                |
| 3    | 147132   | 1         | HEX NIPPLE 1/2"X1/2" BSP DEL        |
|      |          |           | BSP                                 |
| 3    | 23235300 | 1         | HEX NIPPLE 1/2"-13/16"              |
|      |          |           | ORFS                                |
| 4    | 232289   | 1         | NIPPLE 1/2" W. 1/2" UNION DEL       |
|      |          |           | BSP                                 |
| 4    | 23242000 | 1         | HYD NIPPLE 1/2 X 13/16 SWIVEL       |
|      |          |           | ORFS                                |
| 5    | 241356   | 1         | DOWTYSEAL 1/2"                      |
| 6    | 241404   | 1         | DOWTY SEAL 1/4"                     |
| 7    | 242102   | 1         | O-RING Ø9.25X1.78 NITRIL 90SH       |
| 8    | 450952   | 1         | SCREW M5 X 90 10.9                  |
| 9    | 450965   | 1         | SCREW ROUND M5X70                   |
| 10   | 782146   | 1         | HYD. CHECK VALVE 1 WAY              |
| 11   | 782151   | 1         | MAGNET V PLUG DSE3-C26/10N-D12      |
| 12   | 782152   | 1         | 2 WAY MODULAR COMPENSATOR           |
| 13   | 782829   | 1         | SOLENOID MD1L-TA/10N-D12K1/DT       |
| 14   | 784005   | 1         | HOSE HY X 1/4 X 037.38"STR+ELB      |
|      |          |           | BSP                                 |
| 14   | 78515500 | 1         | HY.HO.1/4"L= 950                    |
|      |          |           | 90°-45° A=180                       |
|      |          |           | ORFS                                |
| 15   | 784155   | 1         | HOSE HY 1/4 X 17" ELB+ELB 90°       |
|      |          |           | BSP                                 |
| 15   | 78509300 | 1         | HYD HOSE ORFS 4E-4-4E L=425 90 DEG  |
|      |          |           | ORFS                                |
| 16   | 784156   | 1         | HOSE HY 1/4 X 17" ELB+ELB 270°      |
|      |          |           | BSP                                 |
| 16   | 78509400 | 1         | HYD HOSE ORFS 4E-4-4E L=455 270 DEG |
|      |          |           | ORFS                                |
| 17   | 784157   | 1         | HOSE HY 1/4 X 32" ELB+ELB 90°       |
|      |          |           | BSP                                 |
| 17   | 78509500 | 1         | HYD HOSE ORFS 4E-4-4E L=825 90 DEG  |
|      |          |           | ORFS                                |
| 18   | 784158   | 1         | HOSE HY 1/4 X 32" ELB+ELB 270°      |
|      |          |           | BSP                                 |
| 18   | 78509600 | 1         | HY.HO.1/4"L= 825                    |
|      |          |           | 90°-90°A=270                        |
|      |          |           | ORFS                                |
| 19   | 28076000 | 1         | BLEED SCREW M8                      |
| 20   | 72290400 | 1         | HYD. BLK COMP STEERING CM "05       |
| 21   | 72320300 | 1         | HYD. CYL. STEERING LOCK CM "05      |
| 22   | 75074800 | 1         | SEAL KIT 78123400/42                |
|      |          |           | SEAL KIT FOR 72320300 CYLINDER      |
| 23   | 78133900 | 1         | DOB.CYL.Ø70/40-322 TRACK RIGHT '15  |
|      |          |           | CM4400 (REPLACES 78125100)          |
| 23   | 78134100 | 1         | DOB.CYL.D70/40-270 TRACK RIGHT CM   |
|      |          |           | CM66/55/7000 (REPLACES 78124100)    |
| 24   | 78134000 | 1         | DOB.CYL.Ø70/40-322 TRACK LEFT '15   |
|      |          |           | CM4400 (REPLACES 78123300)          |
| 24   | 78134200 | 1         | DOB.CYL.D70/40-270 TRACK LEFT CM    |
|      |          |           | CM66/55/7000 (REPLACES 78125300)    |



# C0651



HYDRAULICS FORCE 80'-100'  
(POST '06)  
C0651-HIN, 09:01:18

Page 1  
Date 12.08.2020 9:03

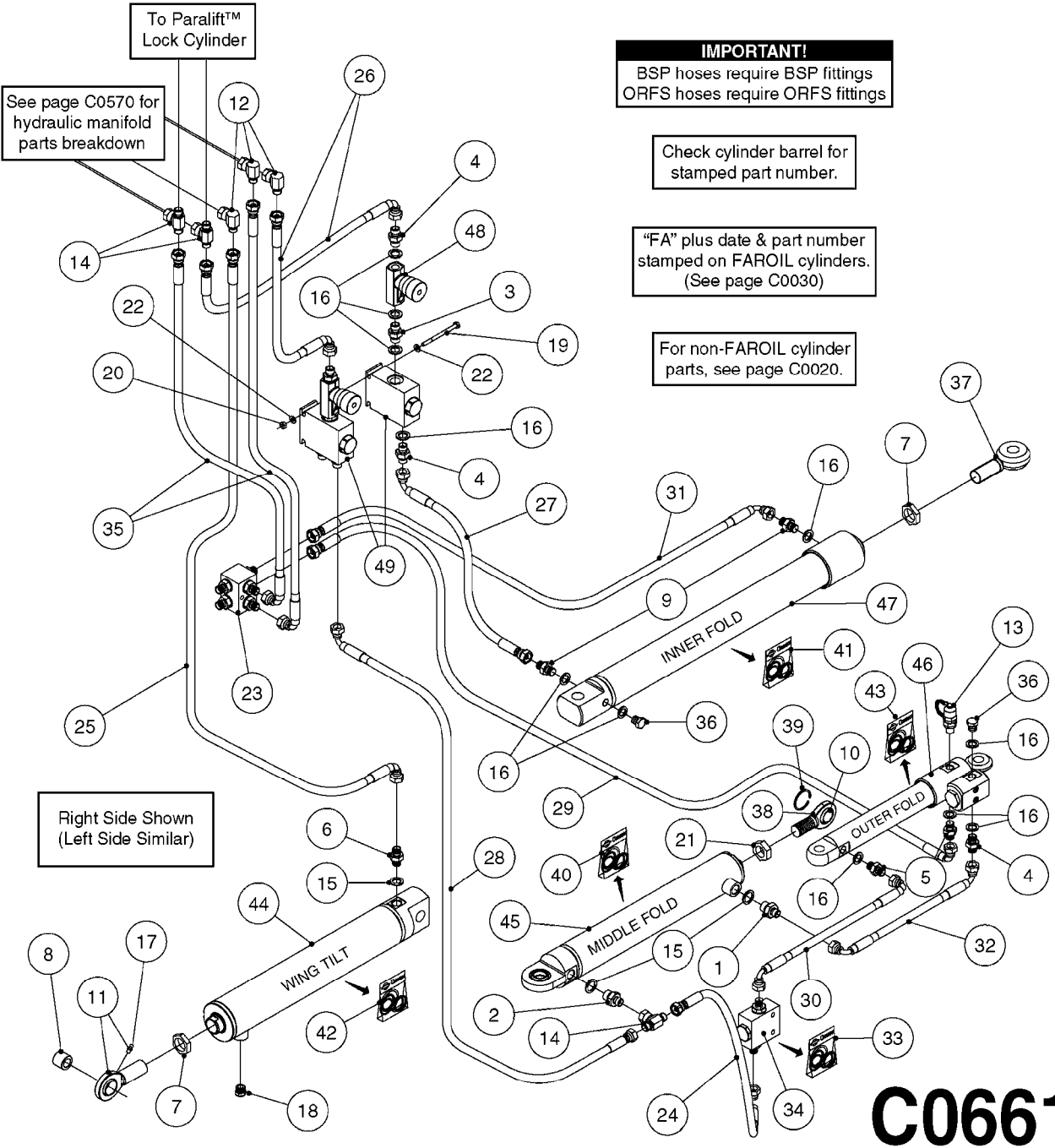
| Pos. | parts-n° | order qty | description                                       |
|------|----------|-----------|---|
| 1    | 146845   | 1         | HEX NIPPLE 1/4"X1/4"                              |
| 2    | 146845   | 1         | HEX NIPPLE 1/4"X1/4"<br>BSP                       |
| 2    | 23234500 | 1         | HEX NIPPLE 1/4" - 9/16"<br>ORFS                   |
| 3    | 146851   | 1         | HEX NIPPLE 1/4"x1/4" 0.7MM<br>BSP                 |
| 3    | 23234700 | 1         | HEX NIPPLE 1/4"-9/16" - 0.7mm<br>ORFS             |
| 4    | 147128   | 1         | NUT M24X2 NV-32                                   |
| 5    | 147130   | 1         | BUSHING D25/20 20MM                               |
| 6    | 147498   | 1         | HEX NIPPLE 1/4"-1/4" 1.2mm<br>BSP                 |
| 6    | 23234100 | 1         | HEX NIPPLE 1/4"-9/16" - 1.2mm<br>ORFS             |
| 7    | 210728   | 1         | BEARING F.LINK HEAD M17                           |
| 8    | 210878   | 1         | LINK HEAD M24 x 55 W/ GREASE NIP. DELTA           |
| 9    | 232060   | 1         | HY.ELBOW 1/4" BSP SWIVEL<br>BSP                   |
| 9    | 23240900 | 1         | HYD.FIT. M-F 90° 9/16"-9/16"<br>ORFS              |
| 10   | 232175   | 1         | TEE 1/4"M X 1/4"F X 1/4"M BSP<br>BSP              |
| 10   | 23241300 | 1         | TEE 9/16"M-9/16"F-9/16"M ORFS<br>ORFS             |
| 11   | 241404   | 1         | DOWTY SEAL 1/4"                                   |
| 12   | 283699   | 1         | GREASE NIPPLE M6X1                                |
| 13   | 284265   | 1         | PLUG BREATHER 1/4" F/CYLINDER                     |
| 14   | 410605   | 1         | BOLT HEX 8.8 DEL M6X80                            |
| 15   | 460261   | 1         | NUT HEX M6X1.00 LOCK DIN985 A2 SS                 |
| 16   | 461198   | 1         | NUT HEX M16X2 JAMB                                |
| 17   | 471125   | 1         | WASHER M6U 6.4X14X1.2,A2 SS                       |
| 18   | 731941   | 1         | HYD. BLOCK MANIFOLD                               |
| 19   | 784010   | 1         | HOSE HY X 1/4 X 149.5"STR+ELB<br>BSP              |
| 19   | 78500900 | 1         | HY.HO.1/4"L= 3800<br>STR-90°<br>ORFS              |
| 20   | 784023   | 1         | HOSE HY 1/4 X 43.25" STR.+ELB.<br>BSP             |
| 20   | 78501900 | 1         | HY.HO.1/4"L= 1100<br>STR-90°<br>ORFS              |
| 21   | 784031   | 1         | HYD.HOSE CM TF 1/4"x550MM<br>BSP                  |
| 21   | 78502500 | 1         | HY.HO.1/4"L= 550<br>STR-90°<br>ORFS               |
| 22   | 784128   | 1         | HOSE HY X 1/4 X 259.85"STR+ELB<br>80' BOOM (BSP)  |
| 22   | 78507800 | 1         | HY.HO.1/4"L= 6860<br>STR-90°<br>80' BOOM (ORFS)   |
| 22   | 784129   | 1         | HOSE HY X 1/4 X 299.21"STR+ELB<br>90' BOOM (BSP)  |
| 22   | 78507900 | 1         | HY.HO.1/4"L= 7900<br>STR-90°<br>90' BOOM (ORFS)   |
| 22   | 784048   | 1         | HOSE HY X 1/4 X 315.0" STR+ELB<br>100' BOOM (BSP) |



HYDRAULICS FORCE 80'-100'  
(POST '06)  
C0651-HIN, 09:01:18

Page 2  
Date 12.08.2020 9:03

| Pos. | parts-n° | order qty | description  |
|------|----------|-----------|--|
| 22   | 78503600 | 1         | HY.HO.1/4"L= 8320<br>STR-90°<br>100' BOOM (ORFS)     |
| 23   | 784094   | 1         | HOSE HY X 1/4 X 248.0" ELB+ELB<br>80' BOOM (BSP)     |
| 23   | 78506000 | 1         | HY.HO.1/4"L= 6550<br>90°-90° A=0<br>80' BOOM (ORFS)  |
| 23   | 784127   | 1         | HOSE HY X 1/4 X 285.5" ELB+ELB<br>90' BOOM (BSP)     |
| 23   | 78507700 | 1         | HY.HO.1/4"L= 7540<br>90°-90° A=0<br>90' BOOM (ORFS)  |
| 23   | 784120   | 1         | HY.HO.1/4"L= 7550<br>100' BOOM (BSP)                 |
| 23   | 78507200 | 1         | HY.HO.1/4"L= 7850<br>90°-90° A=0<br>100' BOOM (ORFS) |
| 24   | 784122   | 1         | HY.HO.1/4"L= 900<br>STR-90°<br>BSP                   |
| 24   | 78507400 | 1         | HY.HO.1/4"L= 900<br>STR-90°<br>ORFS                  |
| 25   | 14010400 | 1         | PLUG 1/4" BSP  |
| 26   | 14082300 | 1         | LINK EYE Ø20/M24X2 L=87.5                            |
| 27   | 21091900 | 1         | LINK HEAD M16 x D17 DELTA                            |
| 28   | 28376503 | 1         | HOSE HY X1/4X047.25"STR+ELB<br>BSP                   |
| 28   | 78500300 | 1         | HY.HO.1/4"L= 1200<br>STR-90°<br>ORFS                 |
| 29   | 75074300 | 1         | SEALKIT78122000/23-25/30-32/46                       |
| 30   | 75075200 | 1         | SEAL KIT 78120900/14/50                              |
| 31   | 78121400 | 1         | DOUBLE CYLINDER D 50/30-300                          |
| 32   | 78122400 | 1         | DOUBLE CYLINDER D 40/20-300                          |
| 33   | 78128800 | 1         | CYLINDER, D50/30-500                                 |
| 34   | 78215700 | 1         | HYD. NEEDLE VALVE W/LOCK RD-7                        |
| 35   | 78219600 | 1         | FLOW DIVIDER FTZ '13                                 |



**IMPORTANT!**  
BSP hoses require BSP fittings  
ORFS hoses require ORFS fittings

Check cylinder barrel for stamped part number.

“FA” plus date & part number stamped on FAROIL cylinders. (See page C0030)

For non-FAROIL cylinder parts, see page C0020.

See page C0570 for hydraulic manifold parts breakdown

To Paralift™ Lock Cylinder

Right Side Shown  
(Left Side Similar)

**C0661**



HYDRAULICS FORCE 120'-132'  
(POST '06)  
C0661-HIN, 18:08:17

Page 1  
Date 12.08.2020 9:03

| Pos. | parts-n° | order qty | description                                  |
|------|----------|-----------|--|
| 1    | 146835   | 1         | HEX NIPPLE 1/4" - 3/8" BSP                   |
| 1    | 23235700 | 1         | BSP<br>HEX NIPPLE 3/8"-9/16"<br>ORFS         |
| 2    | 146839   | 1         | HEX NIPPLE 1/4"X3/8" BSP 0.7MM               |
| 2    | 23235800 | 1         | BSP<br>HEX NIPPLE 3/8"-9/16" - 0.7mm<br>ORFS |
| 3    | 146845   | 1         | HEX NIPPLE 1/4"X1/4"                         |
| 4    | 146845   | 1         | HEX NIPPLE 1/4"X1/4"<br>BSP                  |
| 4    | 23234500 | 1         | HEX NIPPLE 1/4" - 9/16"<br>ORFS              |
| 5    | 146851   | 1         | HEX NIPPLE 1/4"x1/4" 0.7MM                   |
| 5    | 23234700 | 1         | BSP<br>HEX NIPPLE 1/4"-9/16" - 0.7mm<br>ORFS |
| 6    | 147061   | 1         | HEX NIPPLE 1/4"X3/8"/1.8                     |
| 6    | 23236200 | 1         | BSP<br>HEX NIPPLE 3/8"-9/16" - 1.8mm<br>ORFS |
| 7    | 147128   | 1         | NUT M24X2 NV-32                              |
| 8    | 147130   | 1         | BUSHING D25/20 20MM                          |
| 9    | 147498   | 1         | HEX NIPPLE 1/4"-1/4" 1.2mm                   |
| 9    | 23234100 | 1         | BSP<br>HEX NIPPLE 1/4"-9/16" - 1.2mm<br>ORFS |
| 10   | 210730   | 1         | BEARING F.LINK HEAD M20                      |
| 11   | 210878   | 1         | LINK HEAD M24 x 55 W/ GREASE NIP. DELTA      |
| 12   | 232060   | 1         | HY.ELBOW 1/4" BSP SWIVEL                     |
| 12   | 23240900 | 1         | BSP<br>HYD.FIT. M-F 90° 9/16"-9/16"<br>ORFS  |
| 13   | 231955   | 1         | NIPPLE F. PRESS GAUGE 1/4" BSP               |
| 14   | 232175   | 1         | TEE 1/4"M X 1/4"F X 1/4"M BSP                |
| 14   | 23241300 | 1         | BSP<br>TEE 9/16"M-9/16"F-9/16"M ORFS<br>ORFS |
| 15   | 240866   | 1         | DOWTYSEAL 3/8"                               |
| 16   | 241404   | 1         | DOWTY SEAL 1/4"                              |
| 17   | 283699   | 1         | GREASE NIPPLE M6X1                           |
| 18   | 284266   | 1         | PLUG BREATHER 3/8" F/CYLINDER                |
| 19   | 410605   | 1         | BOLT HEX 8.8 DEL M6X80                       |
| 20   | 460261   | 1         | NUT HEX M6X1.00 LOCK DIN985 A2 SS            |
| 21   | 461200   | 1         | NUT HEX M20X1.5 JAMB.                        |
| 22   | 471125   | 1         | WASHER M6U 6.4X14X1.2,A2 SS                  |
| 23   | 731941   | 1         | HYD. BLOCK MANIFOLD                          |
| 24   | 784004   | 1         | HOSE HY 1/4" x 33.5" STR & ELB               |
| 24   | 78500500 | 1         | BSP<br>HY. HO.1/4"L=850<br>STR-90°<br>ORFS   |
| 25   | 784010   | 1         | HOSE HY X 1/4 X 149.5"STR+ELB                |
| 25   | 78500900 | 1         | BSP<br>HY.HO.1/4"L= 3800<br>STR-90°<br>ORFS  |
| 26   | 784023   | 1         | HOSE HY 1/4 X 43.25" STR.+ELB.<br>BSP        |





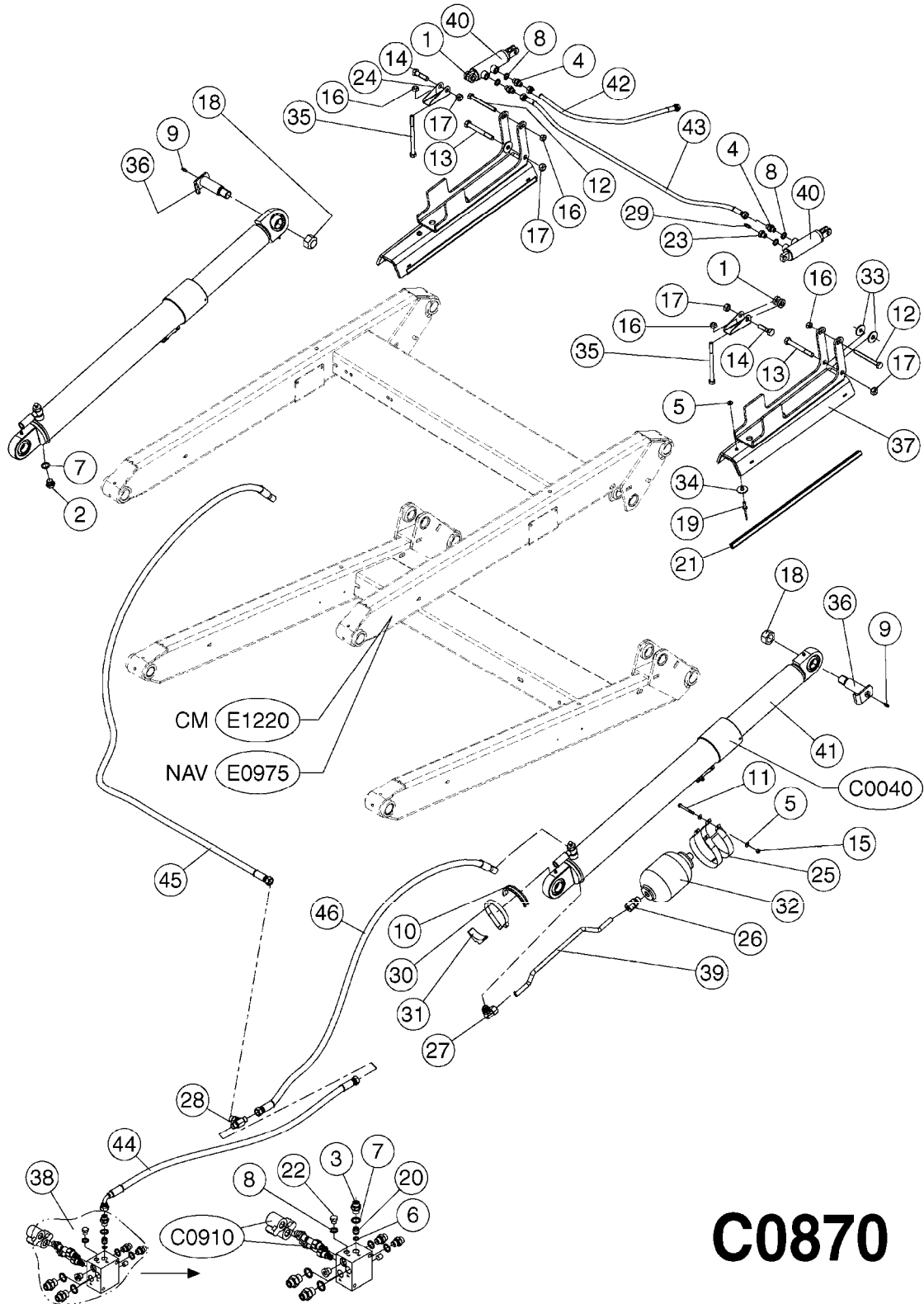
HYDRAULICS FORCE 120'-132'  
(POST '06)  
C0661-HIN, 18:08:17

Page 2  
Date 12.08.2020 9:03

| Pos. | parts-n° | order qty | description                              |
|------|----------|-----------|--|
| 26   | 78501900 | 1         | HY.HO.1/4"L= 1100<br>STR-90°<br>ORFS     |
| 27   | 784031   | 1         | HYD.HOSE CM TF 1/4"x550MM<br>BSP         |
| 27   | 78502500 | 1         | HY.HO.1/4"L= 550<br>STR-90°<br>ORFS      |
| 28   | 784118   | 1         | HOSE HY X 1/4 X 285.4" ELB+STR<br>BSP    |
| 28   | 78507000 | 1         | HY.HO.1/4"L= 7540<br>STR-90°<br>ORFS     |
| 29   | 784119   | 1         | HOSE HY X 1/4 X 557.0"STR+ELB<br>BSP     |
| 29   | 78507100 | 1         | HY.HO.1/4"L=14580<br>STR-90°<br>ORFS     |
| 30   | 784121   | 1         | HOSE HY X 1/4 X 252.0" ELB+ELB<br>BSP    |
| 30   | 78507300 | 1         | HY.HO.1/4"L= 6660<br>90°-90° A=0<br>ORFS |
| 31   | 784122   | 1         | HY.HO.1/4"L= 900<br>STR-90°<br>BSP       |
| 31   | 78507400 | 1         | HY.HO.1/4"L= 900<br>STR-90°<br>ORFS      |
| 32   | 784127   | 1         | HOSE HY X 1/4 X 285.5" ELB+ELB<br>BSP    |
| 32   | 78507700 | 1         | HY.HO.1/4"L= 7540<br>90°-90° A=0<br>ORFS |
| 33   | 28001800 | 1         | REPAIR KIT F.ENDSTOP 1/4"                |
| 34   | 28028600 | 1         | END STOP 1/4"                            |
| 35   | 28376503 | 1         | HOSE HY X1/4X047.25"STR+ELB<br>BSP       |
| 35   | 78500300 | 1         | HY.HO.1/4"L= 1200<br>STR-90°<br>ORFS     |
| 36   | 14010400 | 1         | PLUG 1/4" BSP                            |
| 37   | 14082300 | 1         | LINK EYE Ø20/M24X2 L=87.5                |
| 38   | 21092000 | 1         | LINK HEAD M20 x D20 L=78 DELTA           |
| 39   | 48000603 | 1         | SNAP RING, Ø36X1.5 F.210730              |
| 40   | 75074400 | 1         | SEAL KIT 78121800/21/44                  |
| 41   | 75075200 | 1         | SEAL KIT 78120900/14/50                  |
| 42   | 75075400 | 1         | SEAL KIT 78120800                        |
| 43   | 75076500 | 1         | SEAL KIT 78126400                        |
| 44   | 78120800 | 1         | CYLINDER DOUBLE 60/30-300                |
| 45   | 78122100 | 1         | CYLINDER DOUBLE D50/25-298               |
| 46   | 78126400 | 1         | CYLINDER DBLE D32/16-200 W.STP           |
| 47   | 78128800 | 1         | CYLINDER, D50/30-500                     |
| 48   | 78215700 | 1         | HYD. NEEDLE VALVE W/LOCK RD-7            |
| 49   | 78219600 | 1         | FLOW DIVIDER FTZ '13                     |



CM/NAV HYD. PARALIFT  
C0870-HIN, 14:05:19



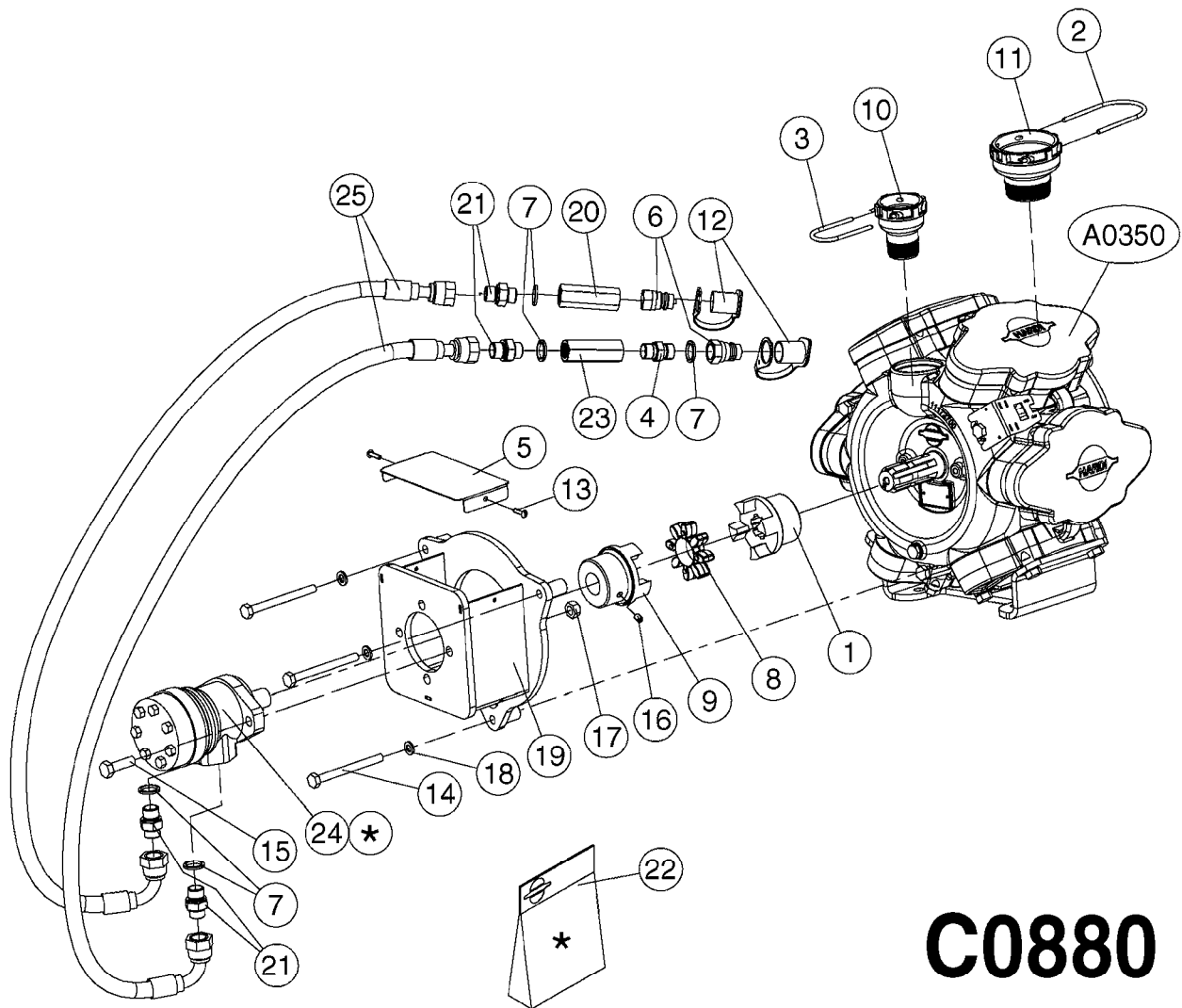
**C0870**



CM/NAV HYD. PARALIFT  
C0870-HIN, 14:05:19

Page 1  
Date 12.08.2020 9:03

| Pos. | parts-n° | order qty | description  |
|------|----------|-----------|--|
| 1    | 146240   | 1         | BUSHING D26.0/13.0 L=7MM                                       |
| 2    | 146790   | 1         | PLUG 3/8" RG L=20 SS   |
| 3    | 146836   | 1         | HEX NIPPLE 3/8"X3/8" BSP                                       |
| 4    | 146845   | 1         | HEX NIPPLE 1/4"X1/4"   |
| 5    | 163936   | 1         | WASHER D15/D6.2X1  |
| 6    | 240041   | 1         | O-RING D15.1/10.3 X 2.4  |
| 7    | 240866   | 1         | DOWTYSEAL 3/8"   |
| 8    | 241404   | 1         | DOWTY SEAL 1/4"  |
| 9    | 283699   | 1         | GREASE NIPPLE M6X1   |
| 10   | 341301   | 1         | RUBBER HOSE CLAMP COVER 230MM                                  |
| 11   | 411008   | 1         | BOLT HEX 8.8 DEL M6X55   |
| 12   | 421061   | 1         | BOLT HEX 8.8 DEL M10X100 DIN931                                |
| 13   | 430367   | 1         | BOLT HEX 8.8 DEL M12X100 DIN931                                |
| 14   | 430878   | 1         | BOLT HEX 8.8 DEL M12X45 DIN931                                 |
| 15   | 460261   | 1         | NUT HEX M6X1.00 LOCK DIN985 A2 SS                              |
| 16   | 460423   | 1         | NUT HEX M10X1.50 LOCK DIN985A2 SS                              |
| 17   | 460703   | 1         | NUT HEX M12X1.75 LOCK DIN985A2 SS                              |
| 18   | 460747   | 1         | NUT HEX M24 LOCK   |
| 19   | 480816   | 1         | RIVET Ø4.8X19.0/Ø14  |
| 20   | 782062   | 1         | NON-RETURN VALVE UTV 3/8"                                      |
| 21   | 981590   | 1         | EDGE GUARD 6-8MM X 12"   |
| 22   | 14010400 | 1         | PLUG 1/4" BSP  |
| 23   | 14090800 | 1         | PLUG, 1/4" W/M8 HOLE   |
| 24   | 15142300 | 1         | BRACKET, LOCK CYLINDER, TDZ                                    |
| 25   | 16277700 | 1         | PLATE 1 X 100 X 291  |
| 26   | 23233900 | 1         | HEX NIPPLE M18X1.5 - M18X1.5                                   |
| 27   | 23234000 | 1         | ELBOW 90* 3/8 M18X1.5  |
| 28   | 23240800 | 1         | TEE 11/16"-11/16"-11/16" ORFS                                  |
| 29   | 28076000 | 1         | BLEED SCREW M8   |
| 30   | 28091200 | 1         | CLAMP GEAR D25-100 B=12.7 SS                                   |
| 31   | 28098800 | 1         | TUBE HOLDER F. SUS. PARALIFT ACUM.                             |
| 32   | 28103700 | 1         | ACCUMULATOR 170 BAR TDZ PARALI                                 |
| 33   | 39122500 | 1         | DISC D36, HOLE D12.5 T=3                                       |
| 34   | 39131100 | 1         | WASHER 32X5 T=15   |
| 35   | 42126800 | 1         | BOLT HEX 8.8 DEL M10X140                                       |
| 36   | 61061200 | 1         | PIN, Ø30/M24 L=105   |
| 37   | 61063700 | 1         | PARALIFT HYD LOCK, L=526, RED                                  |
| 37   | 61079900 | 1         | PARALIFT HYD LOCK, L=420, RED                                  |
| 38   | 72286200 | 1         | HYD. BLOCK COMP. PARA-LIFT NCM<br>CM 8500/10000, NAV 4500/6200 |
| 38   | 72809300 | 1         | PARALIFT HYD.BLOCK ASSY.CM'11<br>CM 4500/5500/7000             |
| 39   | 72927000 | 1         | HYD. TUBE, MOUNTED, PARALIFT SUS, '13                          |
| 40   | 78127800 | 1         | HYDRAULIC CYLINDER 25-40                                       |
| 41   | 78131200 | 1         | PLUNGE CYLINDER 70/838 2X30                                    |
| 42   | 78508800 | 1         | HY.HO.1/4"L= 2200<br>STR-STR                                   |
| 42   | 78512100 | 1         | HY.HO.1/4"L= 1250<br>STR-90°                                   |
| 43   | 78517600 | 1         | HY.HO.1/4"L= 930<br>STR-STR                                    |
| 44   | 78560100 | 1         | HY.HO.3/8"L= 900<br>STR-90°                                    |
| 45   | 78560200 | 1         | HY.HO.3/8"L= 2000<br>STR-3/8BAN                                |
| 46   | 78560300 | 1         | HY.HO.3/8"L= 1250<br>STR-3/8BAN<br>CM MODELS                   |
| 46   | 78565000 | 1         | HY.HO.3/8"L= 1400<br>STR-BANJO<br>NAV MODELS                   |





HYD. DRIVE PUMP 464H  
C0880-HIN, 17:08:17

Page 1

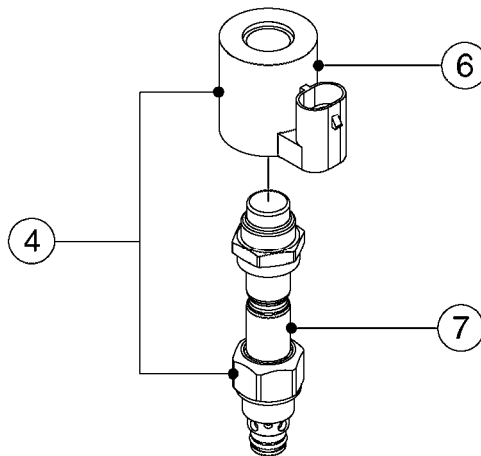
Date 12.08.2020 9:04

| Pos. | parts-n° | order qty | description                                     |
|------|----------|-----------|---|
| 1    | 111438   | 1         | HUB F.CLUTCH 361/460 PUMP                       |
| 2    | 145996   | 1         | FITT.DK S-67 FORK                               |
| 3    | 145997   | 1         | FITT.DK S-93 FORK                               |
| 4    | 147132   | 1         | HEX NIPPLE 1/2"X1/2" BSP DEL                    |
| 5    | 160212   | 1         | PLATE 1.0 X 90 X 210                            |
| 6    | 230311   | 1         | QUICK COUPLING 1/2"                             |
| 7    | 241356   | 1         | DOWTYSEAL 1/2"                                  |
| 8    | 283916   | 1         | TOOTHED RIM FOR CLUTCH                          |
| 9    | 284521   | 1         | COUPLING HALF CYL.D25MM-KEY                     |
| 10   | 322322   | 1         | FITT.DK S-67 X 1-1/4"BSP MALE                   |
| 11   | 322324   | 1         | FITTING S93 FEMALE - BSP 2" MALE                |
| 12   | 334206   | 1         | DUST HOOD FOR HY-COUPLING                       |
| 13   | 410664   | 1         | BOLT HEX M5 X 20                                |
| 14   | 421214   | 1         | BOLT HEX 8.8 DEL M10X110                        |
| 15   | 430721   | 1         | BOLT HEX 8.8 DEL M12X40 FT                      |
| 16   | 450052   | 1         | SCREW SET M8X10 BLACK ALLAN                     |
| 17   | 460703   | 1         | NUT HEX M12X1.75 LOCK DIN985A2 SS               |
| 18   | 470127   | 1         | WASHER D15D10X2 M10 LOCK                        |
| 19   | 637112   | 1         | MOUNT BRACKET F.HYD MOTOR 463                   |
| 20   | 782154   | 1         | CHECK VALVE 284794 (BLACK)                      |
| 21   | 23235300 | 1         | HEX NIPPLE 1/2"-13/16"                          |
| 22   | 28126100 | 1         | SEAL KIT FOR OMR MOTOR                          |
| 23   | 78219800 | 1         | HY. PRES. COMP. FLOW V., 1/2", 36L/MIN, PAINTED |
| 24   | 78303700 | 1         | HY. MOTOR OMR65, PAINTED                        |
| 25   | 78503403 | 1         | HY. HO.1/2"L=5100/STR-90 NAVIGATOR              |
| 25   | 78503803 | 1         | HY.HO.1/2"L= 2300 STR-90° CM 55/7000            |
| 25   | 78504103 | 1         | HY.HO.1/2"L= 2085 STR-90° CM 4500               |

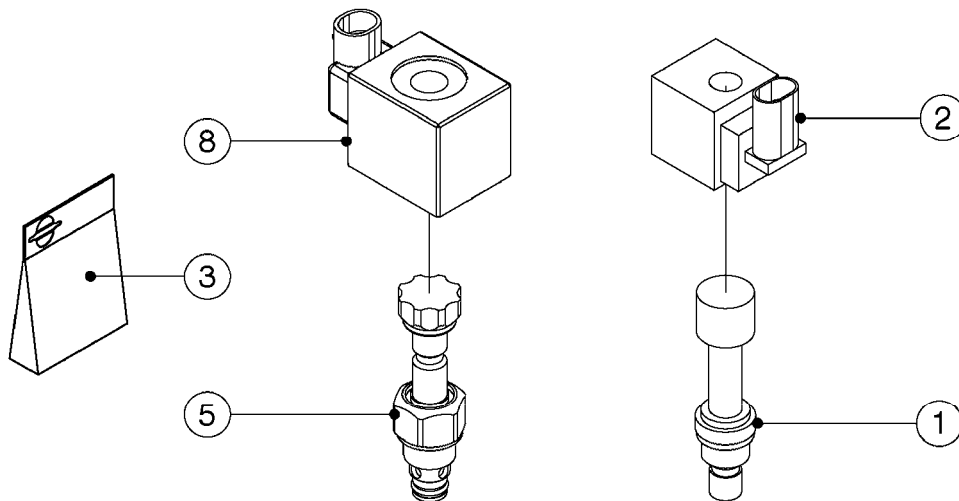


CANNOT MIX SOLENOID VALVES AND COILS  
IF IN DOUBT, ORDER COMPLETE SET (4)

CURRENT STYLE (2018)



OLD STYLES (PRE 2018)



**C0910**

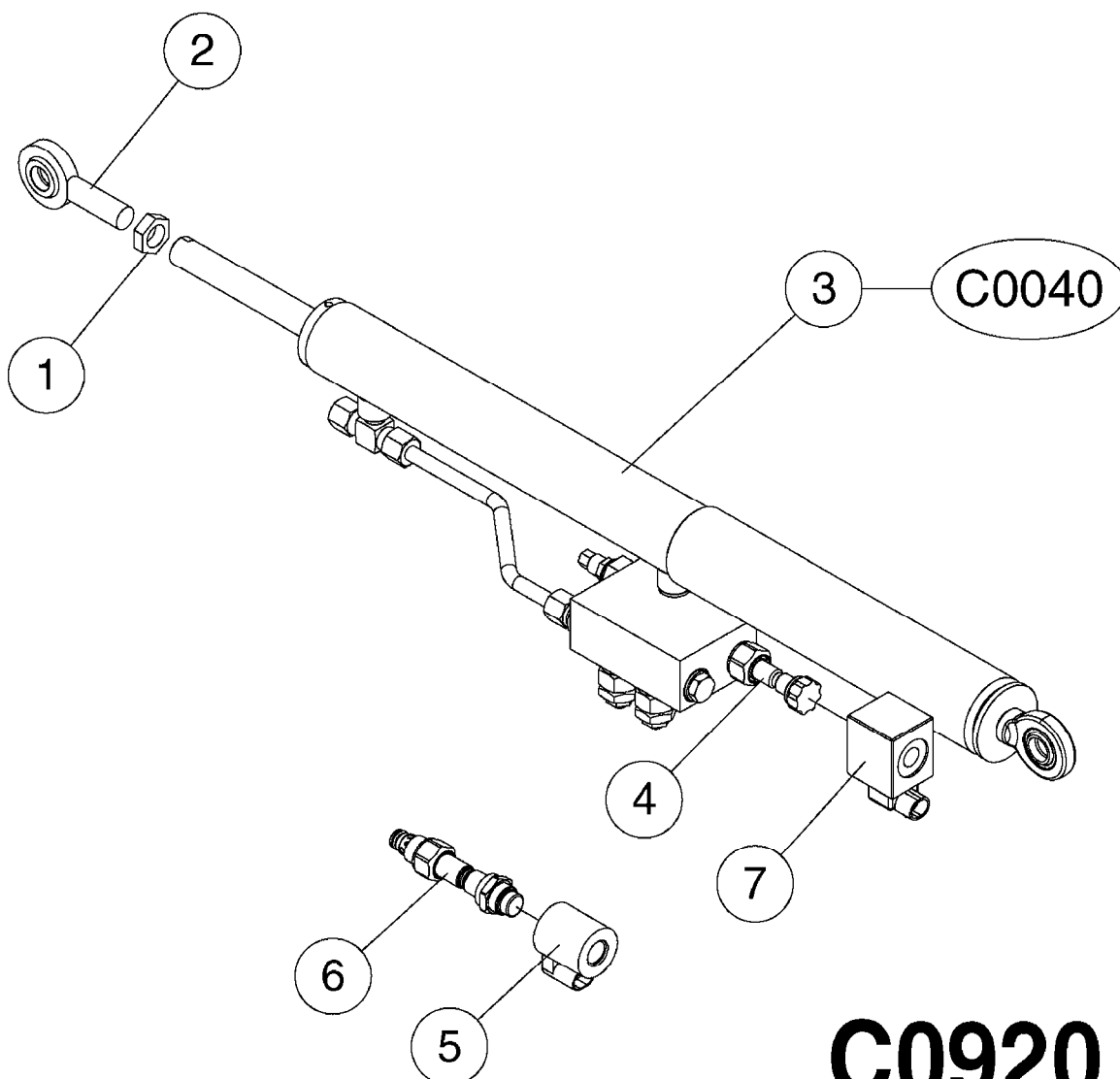


HYDRAULIC SOLENOIDS  
C0910-HIN, 13:05:19

Page 1

Date 12.08.2020 9:04

| Pos. | parts-n° | order qty | description                                  |
|------|----------|-----------|--|
| 1    | 782129   | 1         | SOLENOID VALVE 25L, 3/4"NC                   |
| 2    | 782135   | 1         | SOLENOID W. AMP F.VALVE 782129               |
| 3    | 28100800 | 1         | SEAL KIT F. 782129/78215500<br>PRE 2018 ONLY |
| 4    | 75586600 | 1         | SOLENOID VALVE NC, + COIL                    |
| 5    | 78215500 | 1         | HY SOLENOID VALVE 40L<br>3/4"NC              |
| 6    | 78222700 | 1         | COIL W. AMP                                  |
| 7    | 78222800 | 1         | SOLENOID VALVE NC, DOUBLE LOCK               |
| 8    | 78602100 | 1         | MAGNET M.AMP/DIODE KIT 08                    |







HYD. DAMPER, LOCKING CYLINDER  
C0920-HIN, 05:06:19

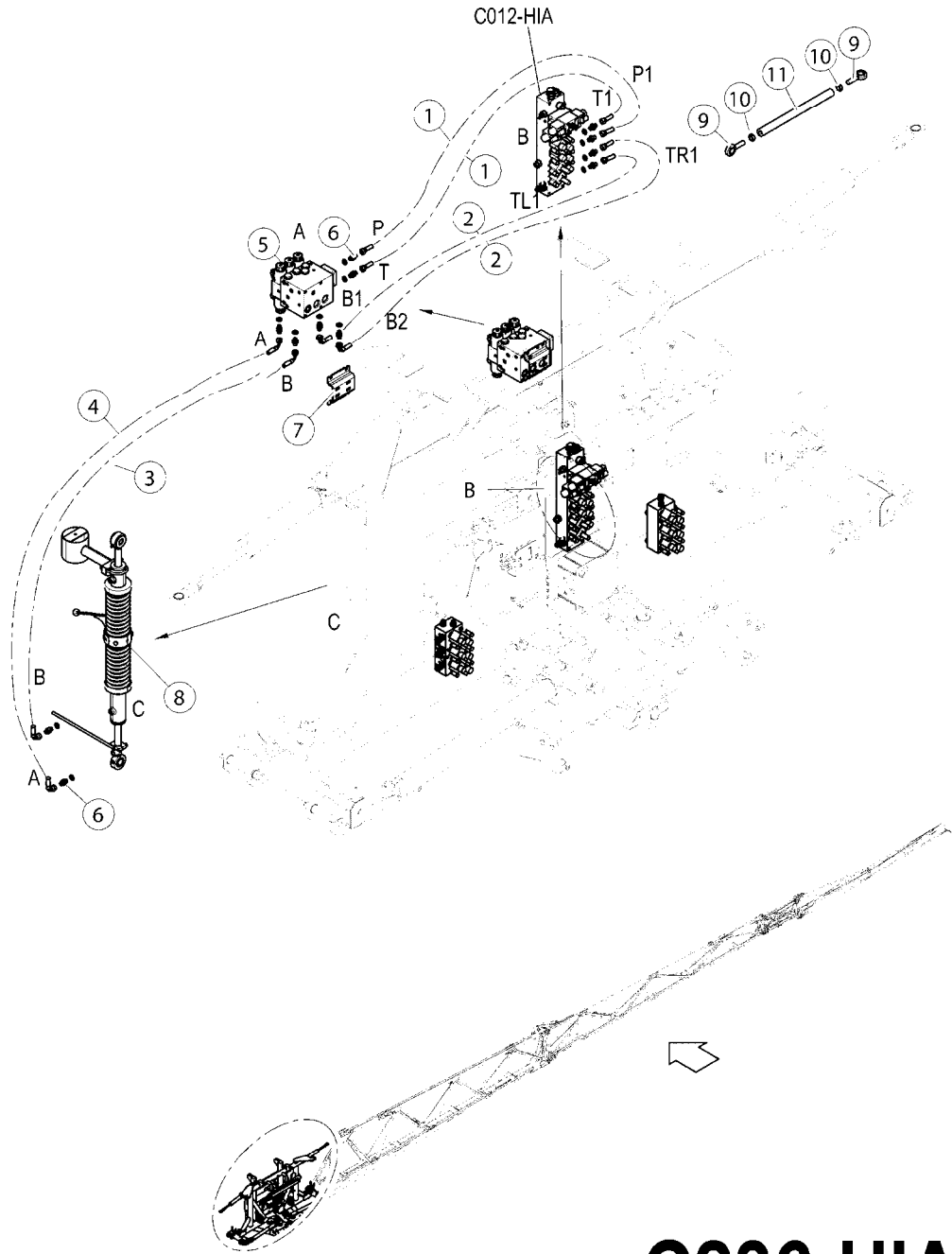
Page 1

Date 12.08.2020 9:04

| Pos. | parts-n° | order qty | description   |
|------|----------|-----------|---|
| 1    | 461198   | 1         | NUT HEX M16X2 JAMB  |
| 2    | 21091900 | 1         | LINK HEAD M16 x D17 DELTA                                       |
| 3    | 78126000 | 1         | CYLINDER,DAMPNER,LOCKING  |
| 4    | 78215500 | 1         | HY SOLENOID VALVE 40L<br>3/4"NC<br>PRE 2019                     |
| 5    | 78222700 | 1         | COIL W. AMP<br>POST 2019  |
| 6    | 78223000 | 1         | SOLENOID VALVE NC, PUSH/TWISH OVERRIDE, DOUBLE LOC<br>POST 2019 |
| 7    | 78602100 | 1         | MAGNET M.AMP/DIODE KIT 08<br>PRE 2019                           |



HARDI INTERNATIONAL A/S



# C236-HIA

Norac center UC5 TDZ

240418

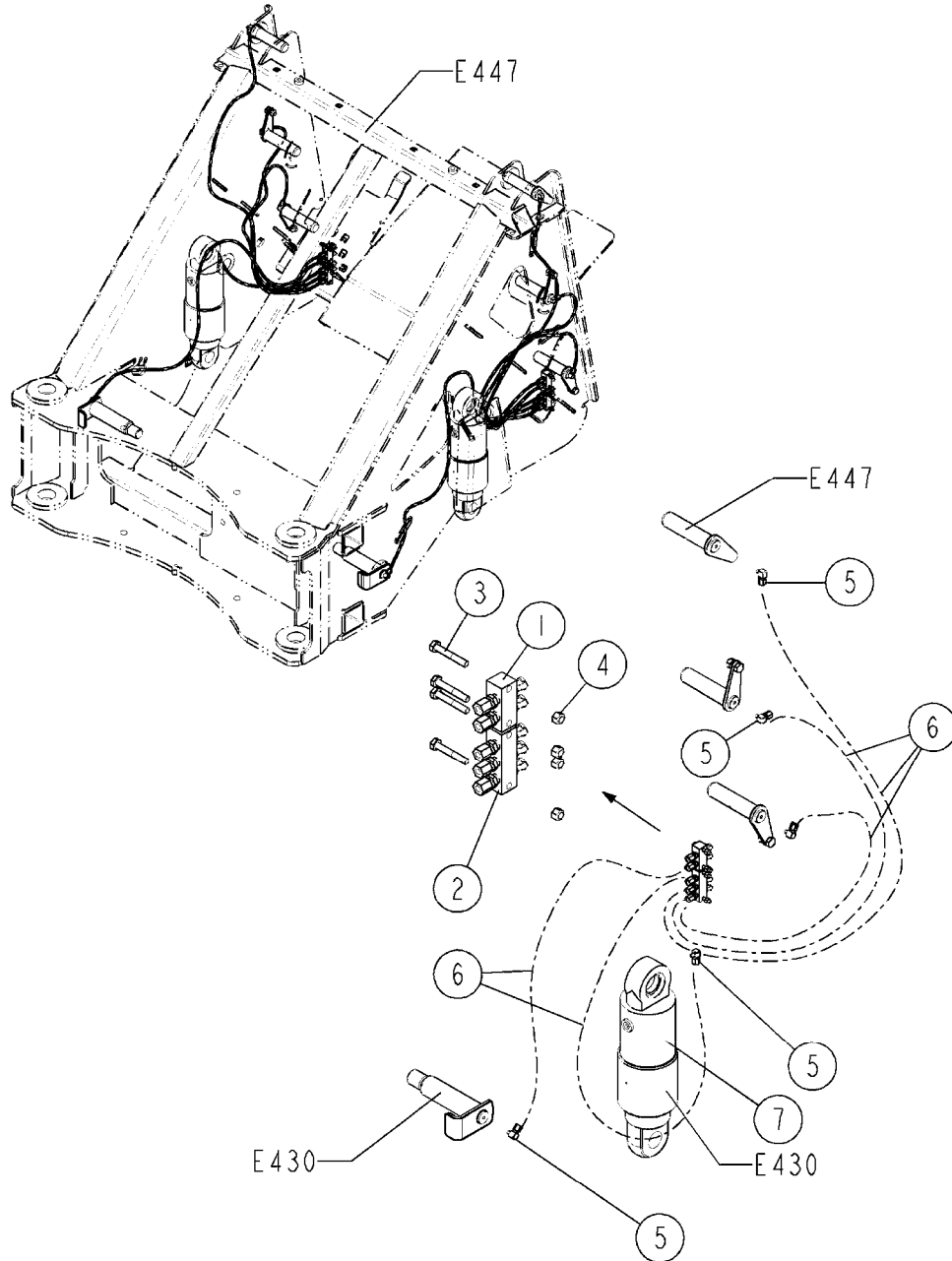


AUTOTERRAIN  
C236-HIA, 01:03:16

Page 1

Date 12.08.2020 9:04

| Pos. | parts-n° | order qty | description                               |
|------|----------|-----------|---|
| 1    | 78560900 | 1         | HY.HO.3/8"L= 1000<br>STR-STR              |
| 2    | 78560600 | 1         | HY.HO.3/8"L= 1200<br>STR-90°              |
| 3    | 78561000 | 1         | HY.HO.3/8"L= 1450<br>90°-90°A=0           |
| 4    | 78561100 | 1         | HY.HO.3/8"L= 1600<br>90°-90°A=270         |
| 5    | 78219200 | 1         | VALVE BLOCK 3 STATION                     |
| 6    | 78603600 | 1         | HEX NIPPLE 11/16"ORFSx3/8"SAE             |
| 7    | 16320400 | 1         | BRACKET F. NORAC BLOCK - RED              |
| 8    | 78133500 | 1         | ROLL POSITION CYLINDER NO INTERNAL SENSOR |
| 9    | 210879   | 1         | LINK HEAD M16 x D17                       |
| 10   | 14029804 | 1         | ROD THREADED D30.0 L=385 2XM16            |
| 11   | 461198   | 1         | NUT HEX M16X2 JAMB                        |



**C238-HIA**

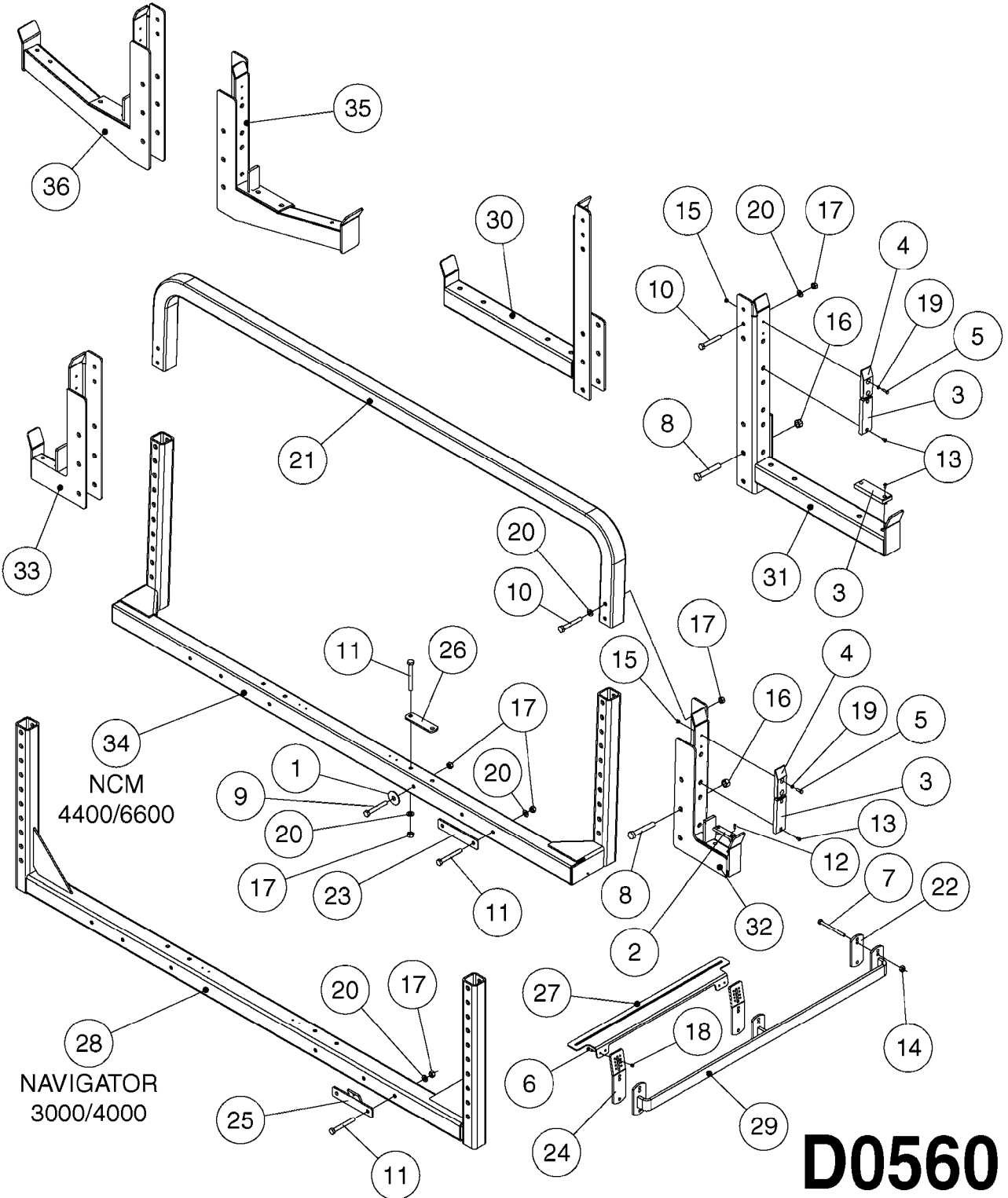


CM11 REAR CENTRAL GREASE  
C238-HIA, 30:01:14

Page 1

Date 12.08.2020 9:04

| Pos. | parts-n° | order qty | description                         |
|------|----------|-----------|-------------------------------------|
| 1    | 28098900 | 1         | GREASE BLOCK, 2 PORT W/FITTINGS, M8 |
| 2    | 28099000 | 1         | GREASE BLOCK, 3 PORT W/FITTINGS, M8 |
| 3    | 410583   | 1         | BOLT HEX 8.8 DEL M6X40              |
| 4    | 460261   | 1         | NUT HEX M6X1.00 LOCK DIN985 A2 SS   |
| 5    | 28112100 | 1         | GREASE FITTING Ø6 90GR M6           |
| 6    | 92740000 | 1         | GREASE TUBE Ø6/3, BLACK             |
| 7    | 781137   | 1         | HYDRAULIC SHOCK NCM6600 SUSP.       |



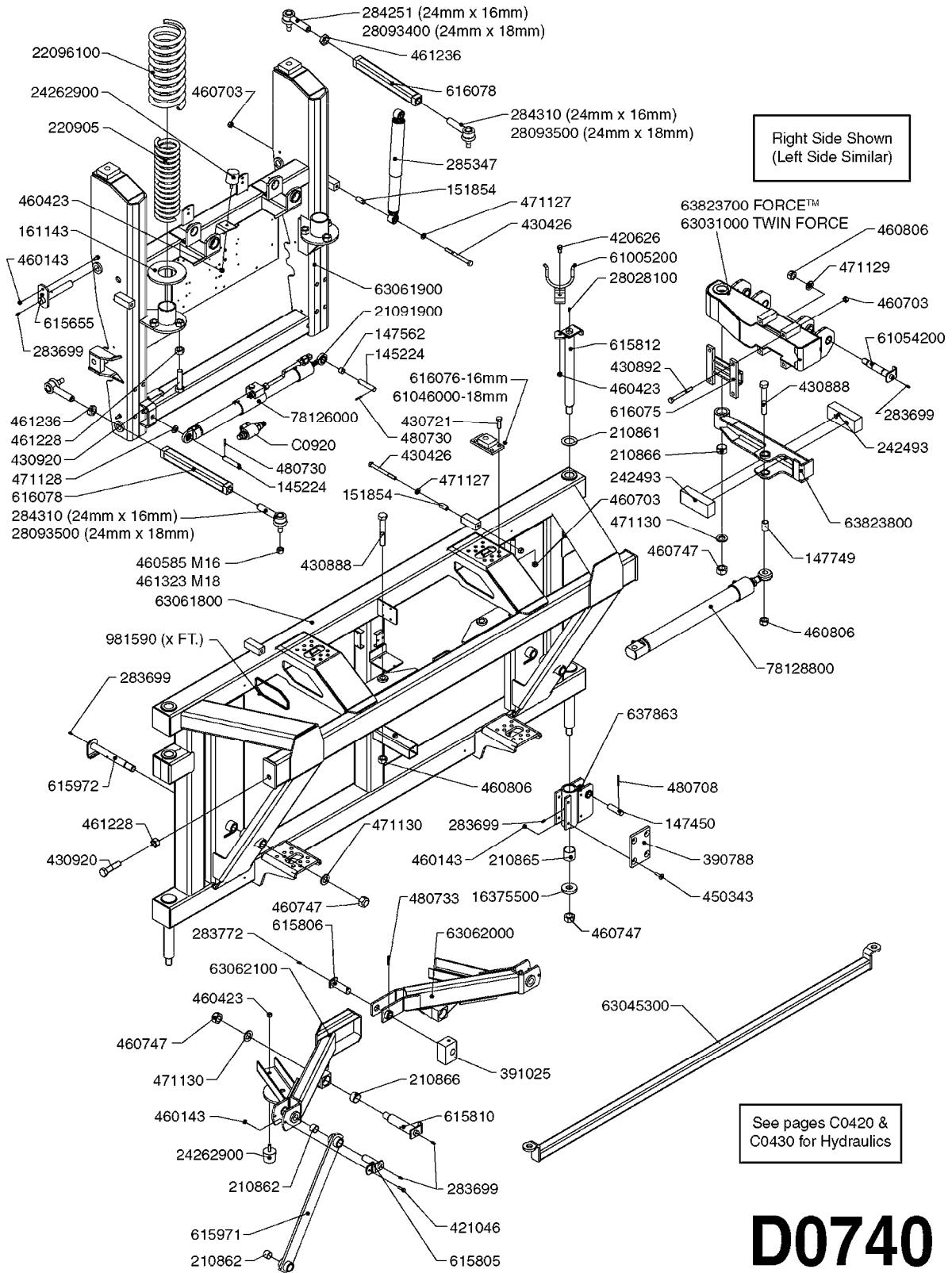


TRANSPORT BKTS - NCM/NAVIGATOR  
D0560-HIN, 01:01:16

Page 1

Date 12.08.2020 9:04

| Pos. | parts-n° | order qty | description   |
|------|----------|-----------|---|
| 1    | 163074   | 1         | WASHER D54/D17X3  |
| 2    | 333956   | 1         | SLIDE SHOE 91X25X10                                       |
| 3    | 334135   | 1         | SLIDE SHOE 140X45X15                                      |
| 4    | 390826   | 1         | SLIDE PAD F.TRANSPORT BKT.CM/D                            |
| 5    | 410362   | 1         | BOLT HEX 8.8 SS M6X20                                     |
| 6    | 410406   | 1         | BOLT HEX 8.8 DEL M5X16 FT                                 |
| 7    | 421232   | 1         | BOLT HEX 8.8 DEL M8X110                                   |
| 8    | 430264   | 1         | BOLT HEX 8.8 DEL M16X100                                  |
| 9    | 430367   | 1         | BOLT HEX 8.8 DEL M12X100 DIN931                           |
| 10   | 430485   | 1         | BOLT HEX 8.8 DEL M12X90                                   |
| 11   | 430892   | 1         | BOLT HEX 8.8 DEL M12X110                                  |
| 12   | 440665   | 1         | SCREW M4.2X16 STAINLESS                                   |
| 13   | 440708   | 1         | SCREW M5.5X16 SELF TAPPING SS                             |
| 14   | 460143   | 1         | LOCK NUT M8 SST A2 DIN985                                 |
| 15   | 460261   | 1         | NUT HEX M6X1.00 LOCK DIN985 A2 SS                         |
| 16   | 460585   | 1         | LOCKING NUT M16 DIN985 A2 SS                              |
| 17   | 460703   | 1         | NUT HEX M12X1.75 LOCK DIN985A2 SS                         |
| 18   | 461217   | 1         | NUT HEX M5 LOCK   |
| 19   | 471125   | 1         | WASHER M6U 6.4X14X1.2,A2 SS                               |
| 20   | 471127   | 1         | WASHER, M12, Ø24/13X24X2.5 SS                             |
| 21   | 15028703 | 1         | TRANSPORT CROSS TUBE CM4400                               |
| 22   | 16092803 | 1         | PLATE F. TRANSPORT CM+                                    |
| 23   | 16101703 | 1         | PLATE 1/4"x1-1/2" L=270/2xØ13<br>NCM 4400/6600            |
| 23   | 16118303 | 1         | PLATE F. CM8500-10000 TRANSPORT<br>NCM 9000               |
| 24   | 16109303 | 1         | PLATE F. TRANSPORT REST CM                                |
| 25   | 16116703 | 1         | PLATE, S/G TUBE MT NAVIGATOR                              |
| 26   | 16138700 | 1         | PLATE F. TRANSPORT CROSS BAR                              |
| 27   | 16183403 | 1         | BRACKET, TRANSPORT BAR NOZ SPC, RED<br>T25 NOZZLE BRACKET |
| 28   | 61010903 | 1         | TRANSPORT CROSS BAR NAVIGATOR                             |
| 29   | 61012603 | 1         | TRANSPORT REST SPC NCM 4400                               |
| 30   | 63024603 | 1         | TRANSPORT REST FTZ R.H. CM4400                            |
| 31   | 63024703 | 1         | TRANSPORT REST FTZ L.H. CM4400                            |
| 32   | 63024803 | 1         | TRANSPORT REST SPC NCM/NAV                                |
| 33   | 63024903 | 1         | TRANSPORT REST SPC NCM/NAV                                |
| 34   | 63027503 | 1         | TRANSPORT CROSS BAR NCM44/6600                            |
| 35   | 63038003 | 1         | TRANSPORT BRACKET, 120 SPC LH                             |
| 36   | 63038103 | 1         | TRANSPORT BRACKET, 120 SPC RH                             |



See pages C0420 & C0430 for Hydraulics

**D0740**





WIDE CENTER FRAME-FORCE/TF  
D0740-HIN, 05:06:19

Page 1  
Date 12.08.2020 9:04

| parts-n° | order qty | description                       |
|----------|-----------|-----------------------------------|
| 145224   | 1         | SHAFT FOR HY CYLINDER             |
| 147450   | 1         | PIN D20 X 70                      |
| 147562   | 1         | BUSHING D19.8/17.0 L=15           |
| 147749   | 1         | BUSHING D25.0/20.2 L=38           |
| 151854   | 1         | BUSHING F.SHOCK                   |
| 161143   | 1         | PLATE F SPRING                    |
| 210861   | 1         | BUSHING                           |
| 210862   | 1         | BUSHING 28X25X20                  |
| 210865   | 1         | BUSHING 40mm40mm DU               |
| 210866   | 1         | BUSHING D39/35 L=20               |
| 220905   | 1         | SPRING D101/14 BLACK              |
| 242493   | 1         | RUBBER BUMPER 60X40X150           |
| 283699   | 1         | GREASE NIPPLE M6X1                |
| 283772   | 1         | GREASE NIPPLE M6X1 90°            |
| 284251   | 1         | ROD END 25Ø (24mm x 16mm) RH      |
| 284310   | 1         | ROD END 25Ø (24mm x 16mm) LH      |
| 285347   | 1         | SHOCK TF                          |
| 390788   | 1         | TEFLON WARE PAD                   |
| 391025   | 1         | JOINER BLOCK - FORCE              |
| 420626   | 1         | BOLT HEX 8.8 DEL M10X20 FT        |
| 421046   | 1         | BOLT HEX M8X25/25 A2 SS DIN933    |
| 430426   | 1         | BOLT HEX 8.8 DEL M12X130          |
| 430721   | 1         | BOLT HEX 8.8 DEL M12X40 FT        |
| 430888   | 1         | BOLT HEX 8.8 DEL M20X130          |
| 430892   | 1         | BOLT HEX 8.8 DEL M12X110          |
| 430920   | 1         | BOLT HEX M20x80MM                 |
| 450343   | 1         | SCREW M8X30 ALLEN HEAD C/S SS     |
| 460143   | 1         | LOCK NUT M8 SST A2 DIN985         |
| 460423   | 1         | NUT HEX M10X1.50 LOCK DIN985A2 SS |
| 460585   | 1         | LOCKING NUT M16 DIN985 A2 SS      |
| 460703   | 1         | NUT HEX M12X1.75 LOCK DIN985A2 SS |
| 460747   | 1         | NUT HEX M24 LOCK                  |
| 460806   | 1         | NUT HEX M20X2.50 LOCK DIN985A2 SS |
| 461228   | 1         | NUT HEX M20                       |
| 461236   | 1         | NUT HEX M24X1.5                   |
| 461323   | 1         | NUT HEX M18X1.5 LOCK              |
| 471127   | 1         | WASHER, M12, Ø24/13X24X2.5 SS     |
| 471128   | 1         | WASHER, M16, Ø30/17.0X 3.0, SS    |
| 471129   | 1         | WASHER, M20, Ø37/21.0X 3.0, SS    |
| 471130   | 1         | WASHER, M24, Ø44/25.0X 4.0, SS    |
| 480708   | 1         | PIN D4 X 45                       |
| 480730   | 1         | SPRING DOWEL PIN 5X30 SST         |
| 480733   | 1         | PIN D6 X 40                       |
| 615655   | 1         | PIN D25 X 156 F. PARALIFT         |
| 615805   | 1         | PIN                               |
| 615806   | 1         | PIN                               |
| 615810   | 1         | PIN                               |
| 615812   | 1         | PIN                               |
| 615971   | 1         | TRAPEZE ARM FORCE 110'            |
| 615972   | 1         | PIN D25X185 M24                   |
| 616075   | 1         | FLANGE F. FORCE HINGE             |
| 616076   | 1         | LINK ARM MOUNT BRACKET            |
| 616078   | 1         | LINK ARM                          |
| 637863   | 1         | HINGE F.TF LOWER                  |
| 981590   | 1         | EDGE GUARD 6-8MM X 12"            |
| 16375500 | 1         | WASHER 10.0X60X25 RED             |
| 21091900 | 1         | LINK HEAD M16 x D17 DELTA         |
| 22096100 | 1         | SPRING D146/20 BLACK              |
| 24262900 | 1         | RUBBER STOP D50X40 M10X33         |
| 28028100 | 1         | GREASE NIPPLE 1/8'RG 90°          |
| 28093400 | 1         | ROD END 35Ø (24mm x 18mm) RH      |

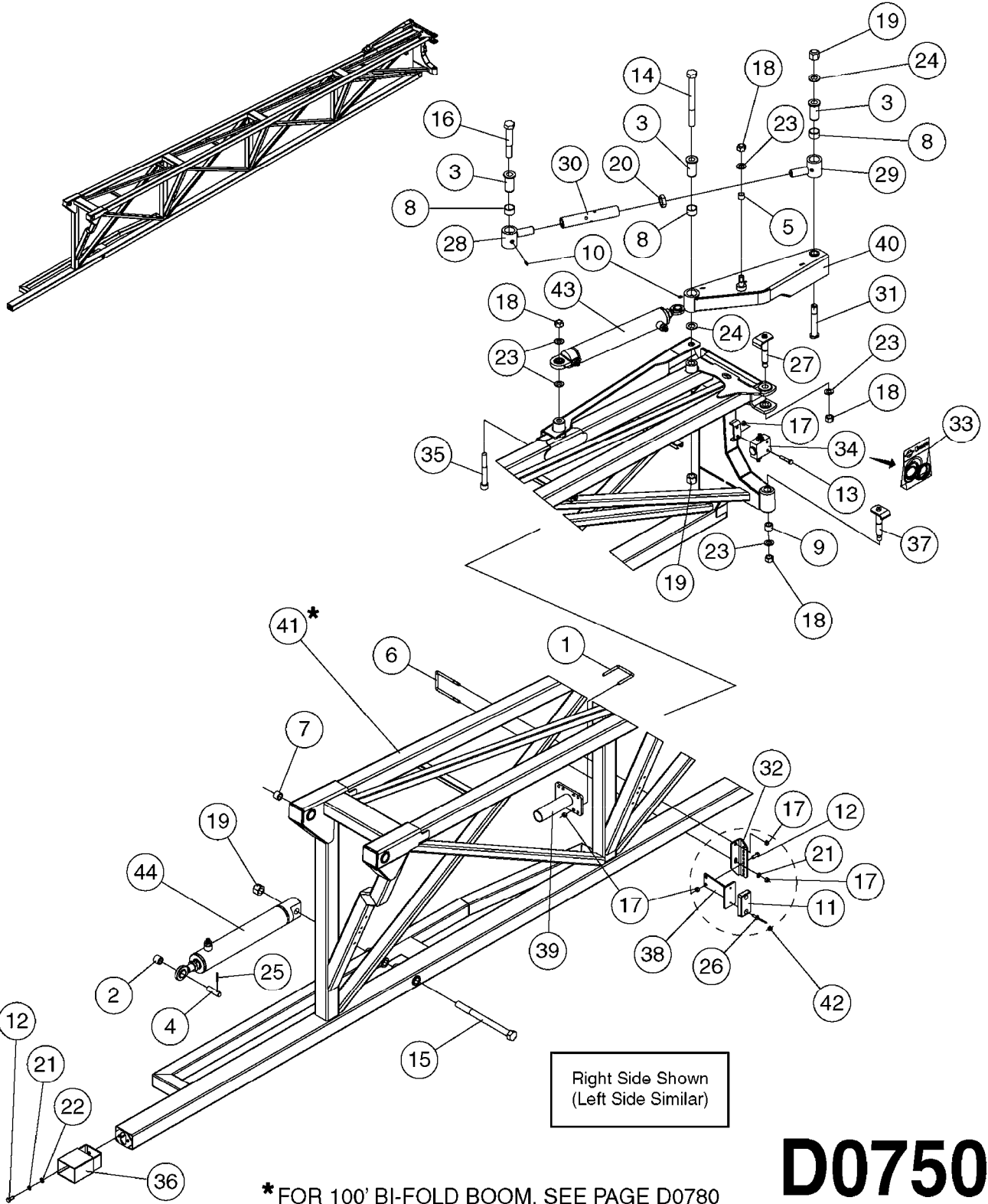


WIDE CENTER FRAME-FORCE/TF  
D0740-HIN, 05:06:19

Page 2

Date 12.08.2020 9:04

| parts-n° | order qty | description                    |
|----------|-----------|--------------------------------|
| 28093500 | 1         | ROD END 35Ø (24mm x 18mm) LH   |
| 61005200 | 1         | HOSE HOLDER                    |
| 61046000 | 1         | LINK ARM MNT BKT. FTZ "06"     |
| 61054200 | 1         | PIN D25X162 M20 W/LUBE HOLE 09 |
| 63031000 | 1         | HINGE F.TWIN FORCE             |
| 63045300 | 1         | PIVOT SUPRT BAR FORCE CEN.     |
| 63061800 | 1         | CENTER SECTION FORCE           |
| 63061900 | 1         | LIFT FRAME CM - FORCE          |
| 63062000 | 1         | SUSPENSION ARM RH              |
| 63062100 | 1         | SUSPENSION ARM LH              |
| 63823700 | 1         | HINGE F.FORCE                  |
| 63823800 | 1         | INNER HINGE F.FORCE            |
| 78126000 | 1         | CYLINDER, DAMPNER, LOCKING     |
| 78128800 | 1         | CYLINDER, D50/30-500           |



\* FOR 100' BI-FOLD BOOM, SEE PAGE D0780

# D0750



BOOM-FORCE INNER WING 80'-132'  
D0750-HIN, 01:01:16

Page 1

Date 12.08.2020 9:04

| Pos. | parts-n° | order qty | description  |
|------|----------|-----------|--|
| 1    | 146843   | 1         | BOLT U M8 F.60 x 60  |
| 2    | 147130   | 1         | BUSHING D25/20 20MM  |
| 3    | 147390   | 1         | BUSHING  |
| 4    | 147450   | 1         | PIN D20 X 70   |
| 5    | 147562   | 1         | BUSHING D19.8/17.0 L=15  |
| 6    | 147770   | 1         | U-BOLT M8-105X63   |
| 7    | 210835   | 1         | BUSHING D28/25 L=25  |
| 8    | 210858   | 1         | BUSHING 034/30 L=20  |
| 9    | 210859   | 1         | BUSH Ø23X20 L20  |
| 10   | 283699   | 1         | GREASE NIPPLE M6X1   |
| 11   | 334603   | 1         | RUBBER STOP 86X48X15   |
| 12   | 420582   | 1         | BOLT HEX 8.8 DEL M8X20 FT A2   |
| 13   | 420781   | 1         | BOLT HEX 8.8 DEL M8X50   |
| 14   | 430940   | 1         | BOLT M20X210 8.8 DEL.  |
| 15   | 430941   | 1         | BOLT M20X260 8.8 DEL.  |
| 16   | 430970   | 1         | BOLT HEX M20X120 DIN931- DEL   |
| 17   | 460143   | 1         | LOCK NUT M8 SST A2 DIN985  |
| 18   | 460585   | 1         | LOCKING NUT M16 DIN985 A2 SS   |
| 19   | 460806   | 1         | NUT HEX M20X2.50 LOCK DIN985A2 SS  |
| 20   | 461236   | 1         | NUT HEX M24X1.5  |
| 21   | 470072   | 1         | WASHER D15/D8X.5 LOCK  |
| 22   | 471126   | 1         | WASHER, M8, Ø16/ 8.4X 1.6, SS  |
| 23   | 471128   | 1         | WASHER, M16, Ø30/17.0X 3.0, SS   |
| 24   | 471129   | 1         | WASHER, M20, Ø37/21.0X 3.0, SS   |
| 25   | 480708   | 1         | PIN D4 X 45  |
| 26   | 480808   | 1         | RIVET Ø4.8x25.5/Ø9.5   |
| 27   | 615820   | 1         | PIN D20 X M16 L=127MM  |
| 28   | 61009200 | 1         | EYEBOLT LH TRD./ LH WING M24<br>EYEBOLT WITH L.H. THREADS FOR LEFT WING    |
| 28   | 616084   | 1         | EYEBOLT LH TRD./ RH WING M24<br>EYEBOLT WITH R.H. THREADS FOR RIGHT WING   |
| 29   | 61009300 | 1         | EYEBOLT STD.TRD. / RH WING M24<br>EYEBOLT WITH STD. THREADS FOR RIGHT WING |
| 29   | 616085   | 1         | EYEBOLT STD. TRD./ LH WING M24<br>EYEBOLT WITH STD. THREADS FOR LEFT WING  |
| 30   | 14008800 | 1         | TURNBUCKLE L=200/M24X1.5   |
| 31   | 14011900 | 1         | PIN M20 L=125/D30  |
| 32   | 16063803 | 1         | BOOM STOP ADJ. MT. BKT.FTZ   |
| 33   | 28001800 | 1         | REPAIR KIT F.ENDSTOP 1/4"  |
| 34   | 28028600 | 1         | END STOP 1/4"  |
| 35   | 45003000 | 1         | BOLT HEX M16X120 DIN912/DELTA  |
| 36   | 61005300 | 1         | EXTENSION F.FTZ - OFF CENTER   |
| 36   | 61005400 | 1         | EXTENSION F.FTZ - ON CENTER  |
| 37   | 61006800 | 1         | PIN D20 X M16 L=127MM  |
| 38   | 61006903 | 1         | BOOM STOP ADJ. L=111 FTZ   |
| 39   | 61015600 | 1         | BOOM STOP TRANS REST,I.FTZ   |
| 40   | 63118500 | 1         | FOLDING ARM 1. FTZ / HAZ. R. RED<br>FOLD ARM FOR RIGHT WING                |
| 40   | 63118800 | 1         | FOLDING ARM 1. FTZ / HAZ. L RED<br>FOLD ARM FOR LEFT WING                  |
| 41   | 70081103 | 1         | WING INNER 90/120/132' RH I.F.<br>R.H. WING FOR 90', 120' & 132' BOOMS     |
| 41   | 70081203 | 1         | WING INNER 90/120/132' LH I.F.<br>L.H. WING FOR 90', 120' & 132' BOOMS     |
| 41   | 70081603 | 1         | WING INNER 80'/100'T RH I.F.<br>R.H. WING FOR 80' & 100' TRI-FOLD BOOMS    |
| 41   | 70081703 | 1         | WING INNER 80'/100'T LH I.F.<br>L.H. WING FOR 80' & 100' TRI-FOLD BOOMS    |
| 42   | 72252900 | 1         | BOOM STOP ADJSTBL. FORCE L=148<br>COMPLETE ASSEMBLY (WITH U-BOLT)          |

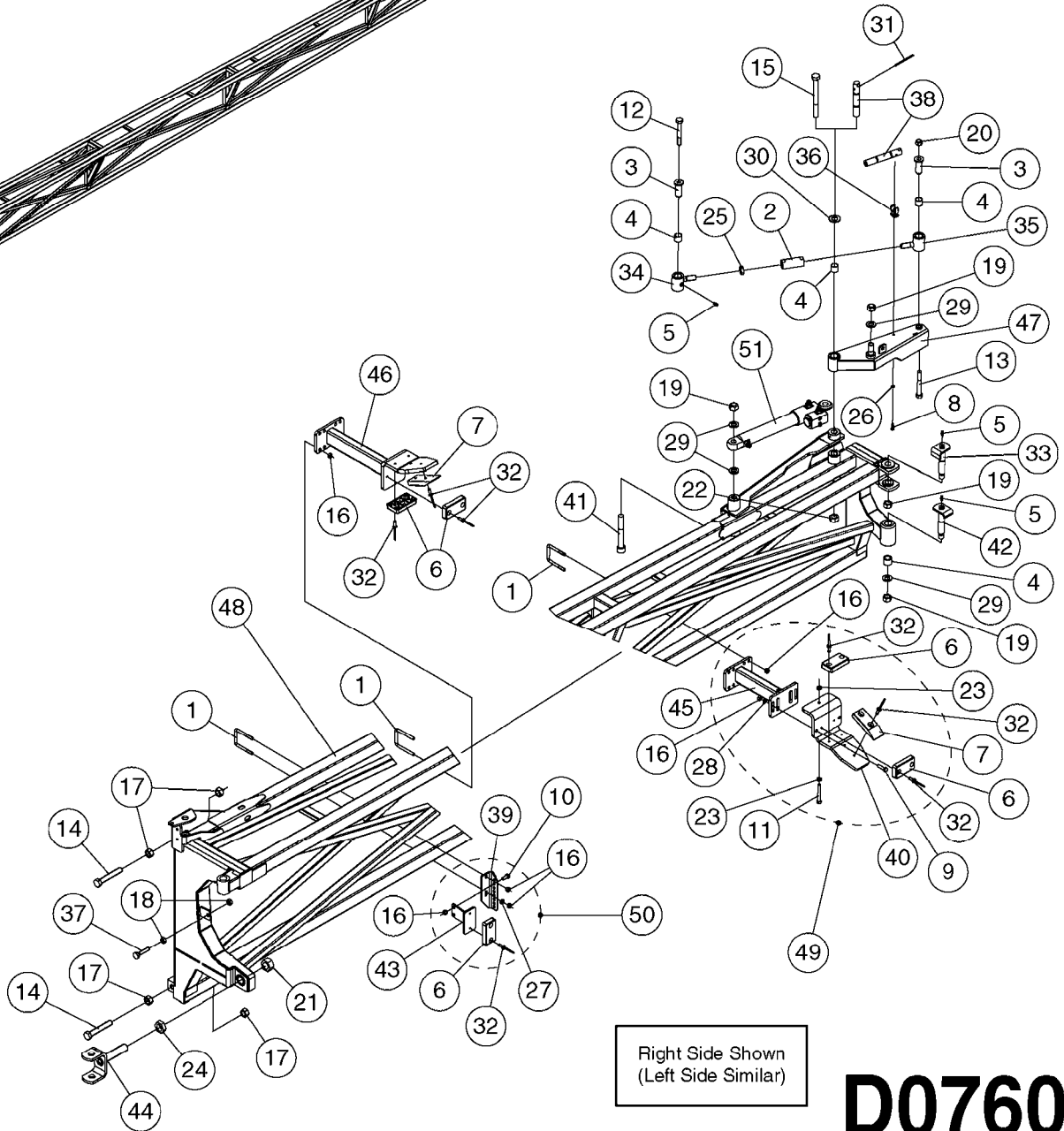
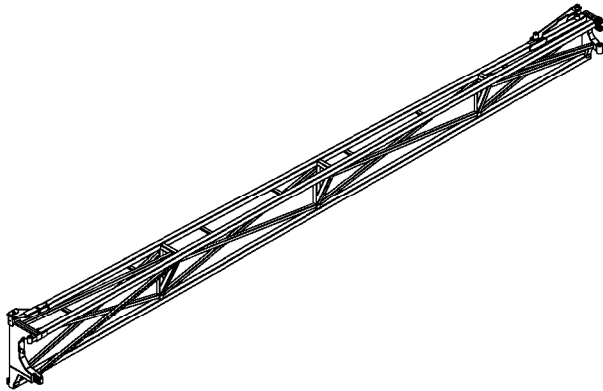


BOOM-FORCE INNER WING 80'-132'  
D0750-HIN, 01:01:16

Page 2

Date 12.08.2020 9:04

| Pos. | parts-n° | order qty | description  |
|------|----------|-----------|--|
| 43   | 78122100 | 1         | CYLINDER DOUBLE D50/25-298<br>CYLINDER FOR 120' & 132' BOOMS |
| 43   | 78122400 | 1         | DOUBLE CYLINDER D 40/20-300<br>CYLINDER FOR 80'-100' BOOMS   |
| 44   | 78128800 | 1         | CYLINDER, D50/30-500   |





BOOM-FORCE OUTER WING 110-132'  
D0760-HIN, 01:01:16

Page

1

Date

12.08.2020

9:04

| Pos. | parts-n° | order qty | description  |
|------|----------|-----------|--|
| 1    | 147516   | 1         | U-BOLT M8-50x50  |
| 2    | 147649   | 1         | TURNBUCKLE D30.0 L=64/M16X1.5  |
| 3    | 147763   | 1         | BUSHING D20.0/12.0 L=55  |
| 4    | 210859   | 1         | BUSH Ø23X20 L20  |
| 5    | 283699   | 1         | GREASE NIPPLE M6X1   |
| 6    | 334603   | 1         | RUBBER STOP 86X48X15   |
| 7    | 390826   | 1         | SLIDE PAD F.TRANSPORT BKT.CM/D   |
| 8    | 410185   | 1         | BOLT HEX 8.8 DEL M6X16   |
| 9    | 420567   | 1         | BOLT HEX 8.8 DEL M8X30 FT  |
| 10   | 420582   | 1         | BOLT HEX 8.8 DEL M8X20 FT A2   |
| 11   | 421254   | 1         | BOLT HEX 8.8 SS M8X50  |
| 12   | 430485   | 1         | BOLT HEX 8.8 DEL M12X90  |
| 13   | 430787   | 1         | BOLT HEX M12X90 A4-80  |
| 14   | 430861   | 1         | BOLT HEX 8.8 DEL M16X100 FT  |
| 15   | 430940   | 1         | BOLT M20X210 8.8 DEL.  |
| 16   | 460143   | 1         | LOCK NUT M8 SST A2 DIN985  |
| 17   | 460327   | 1         | NUT HEX M16X2  |
| 18   | 460342   | 1         | NUT HEX M10 DEL DIN934   |
| 19   | 460585   | 1         | LOCKING NUT M16 DIN985 A2 SS   |
| 20   | 460703   | 1         | NUT HEX M12X1.75 LOCK DIN985A2 SS  |
| 21   | 460747   | 1         | NUT HEX M24 LOCK   |
| 22   | 460806   | 1         | NUT HEX M20X2.50 LOCK DIN985A2 SS  |
| 23   | 460817   | 1         | NUT HEX M8 STAINLESS DIN 934   |
| 24   | 461244   | 1         | NUT HEX M24X3 JAMB.  |
| 25   | 461302   | 1         | NUT HEX M16X1.5 JAMB.  |
| 26   | 470061   | 1         | WASHER D11/D7X0.5 LOCK   |
| 27   | 470072   | 1         | WASHER D15/D8X.5 LOCK  |
| 28   | 471126   | 1         | WASHER, M8, Ø16/ 8.4X 1.6, SS  |
| 29   | 471128   | 1         | WASHER, M16, Ø30/17.0X 3.0, SS   |
| 30   | 471129   | 1         | WASHER, M20, Ø37/21.0X 3.0, SS   |
| 31   | 480780   | 1         | PIN M5.0X70 SPLIT  |
| 32   | 480808   | 1         | RIVET Ø4.8x25.5/Ø9.5   |
| 33   | 615796   | 1         | PIN D20 X M16 L=119MM  |
| 34   | 61006600 | 1         | EYEBOLT STD.TRD. / RH WING M16<br>EYEBOLT WITH STD. THREADS FOR RIGHT WING |
| 34   | 616081   | 1         | EYEBOLT STD.TRD. / LH WING M16<br>EYEBOLT WITH STD. THREADS FOR LEFT WING  |
| 35   | 61006700 | 1         | EYEBOLT LH TRD. / RH WING M16<br>EYEBOLT WITH L.H. THREADS FOR RIGHT WING  |
| 35   | 616083   | 1         | EYEBOLT LH TRD. / LH WING M16<br>EYEBOLT WITH L.H. THREADS FOR LEFT WING   |
| 36   | 725618   | 1         | CLIP WHITE PLASTIC SNAP TYPE   |
| 37   | 14011800 | 1         | BOLT HEX DEL M10X60 SPECIAL  |
| 38   | 14012300 | 1         | SHEAR PIN D19.8 L=132/D5   |
| 39   | 16063803 | 1         | BOOM STOP ADJ. MT. BKT.FTZ   |
| 40   | 16099000 | 1         | BOOM STOP ADJ. PLATE FTZ   |
| 41   | 45003000 | 1         | BOLT HEX M16X120 DIN912/DELTA  |
| 42   | 61006800 | 1         | PIN D20 X M16 L=127MM  |
| 43   | 61007003 | 1         | BOOM STOP HPZ/FTZ L=95/75  |
| 44   | 61008700 | 1         | LINK EYE FORCE   |
| 45   | 61015400 | 1         | BOOM STOP ADJ. MT BKT FTZ  |
| 46   | 61015900 | 1         | BOOMSTOP/SUP HPZ/FTZ L=288   |
| 47   | 63002200 | 1         | FOLD ARM FTZ 2.RH<br>FOLD ARM FOR RIGHT WING                               |
| 47   | 63002300 | 1         | FOLD ARM FTZ 2.LH<br>FOLD ARM FOR LEFT WING                                |
| 48   | 70081803 | 1         | WING INTER. FORCE 120/132' RH  |
| 48   | 70081903 | 1         | WING INTER. FORCE 120/132' LH  |
| 48   | 70082003 | 1         | WING INTER. FORCE 100'T RH   |
| 48   | 70082103 | 1         | WING INTER. FORCE 100'T LH   |
| 49   | 72252600 | 1         | BOOM STOP ADJSTBL. FORCE L=241   |



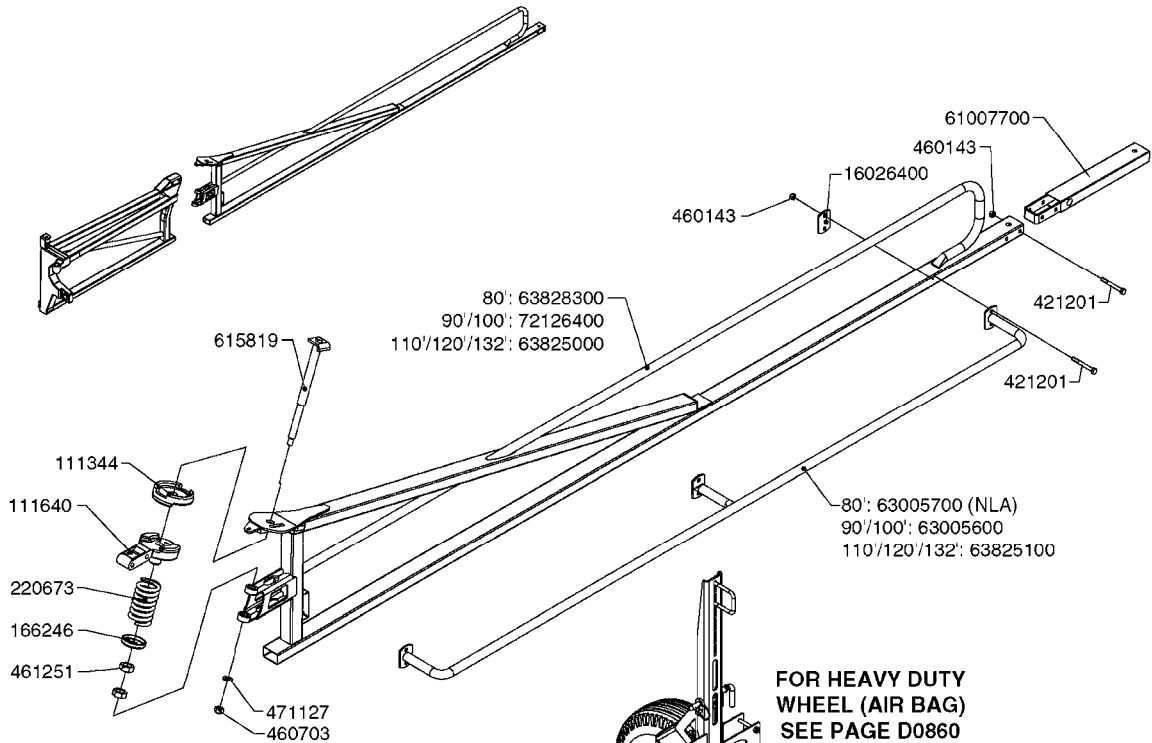
BOOM-FORCE OUTER WING 110-132'  
D0760-HIN, 01:01:16

Page 2

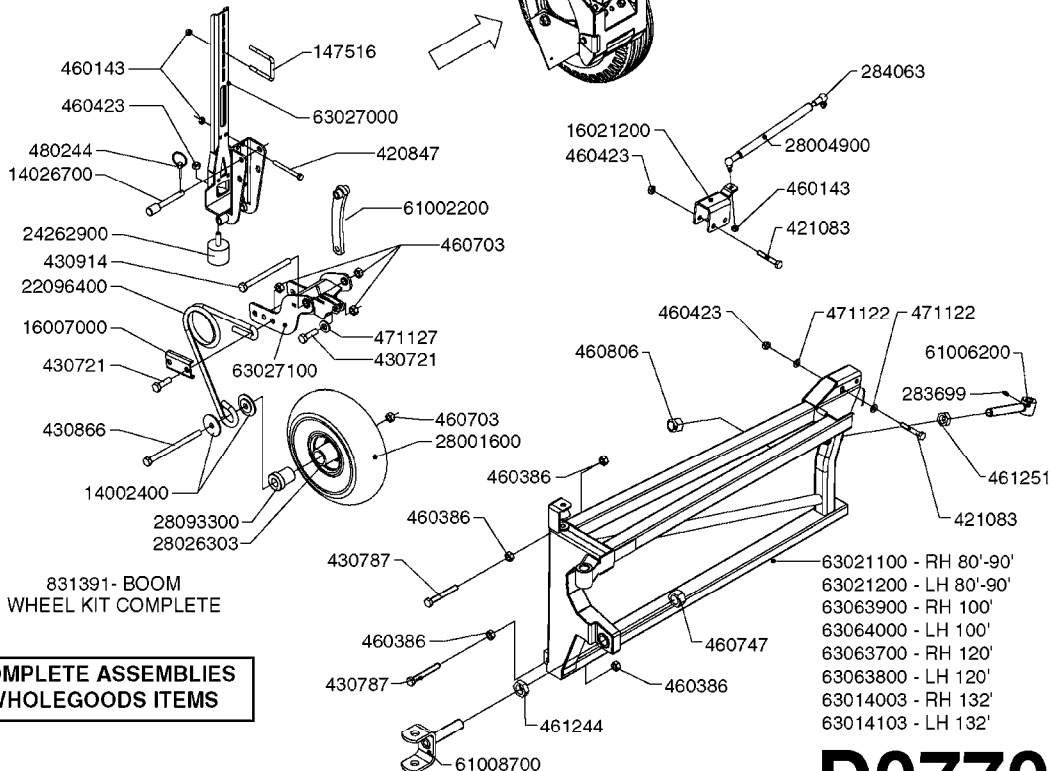
Date 12.08.2020 9:04

| Pos. | parts-n° | order qty | description                    |
|------|----------|-----------|--------------------------------|
| 50   | 72252800 | 1         | BOOM STOP ADJSTBL. FORCE L=108 |
| 51   | 78126400 | 1         | CYLINDER DBLE D32/16-200 W.STP |





**FOR HEAVY DUTY  
WHEEL (AIR BAG)  
SEE PAGE D0860**



831391- BOOM  
WHEEL KIT COMPLETE

**COMPLETE ASSEMBLIES  
WHOLEGOODS ITEMS**

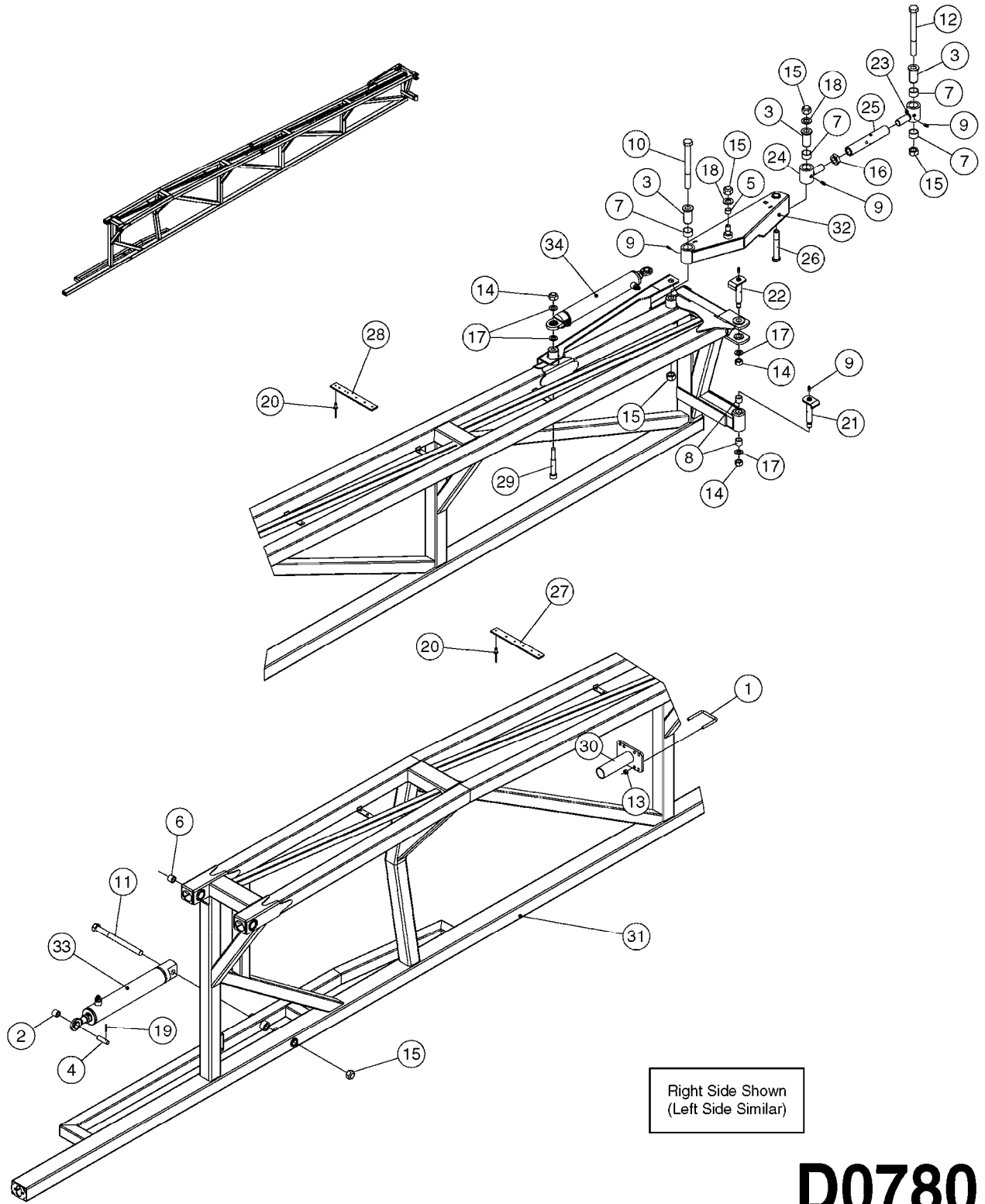
**D0770**



BOOM-FORCE BREAKAWAY 80'-132'  
D0770-HIN, 01:01:16

Page 1  
Date 12.08.2020 9:04

| parts-n° | order qty | description                           |
|----------|-----------|---------------------------------------|
| 111344   | 1         | CLAW CLUTCH Ø100/Ø20,5 UNDER PART RED |
| 111640   | 1         | CLAW CLUTCH Ø100 TOP PART RED         |
| 147516   | 1         | U-BOLT M8-50x50                       |
| 166246   | 1         | WASHER CUP D53 F.SPRING               |
| 220673   | 1         | SPRING F.PIVOT 100 X 51               |
| 283699   | 1         | GREASE NIPPLE M6X1                    |
| 284063   | 1         | BALL JOINT M6 90 DEGREE               |
| 420847   | 1         | BOLT HEX 8.8 DEL M8X85                |
| 421083   | 1         | BOLT HEX 8.8 DEL M10X65               |
| 421201   | 1         | BOLT HEX 8.8 DEL M8X70                |
| 430721   | 1         | BOLT HEX 8.8 DEL M12X40 FT            |
| 430787   | 1         | BOLT HEX M12X90 A4-80                 |
| 430866   | 1         | BOLT HEX 8.8 DEL M12X170              |
| 430914   | 1         | BOLT HEX 8.8 DEL M12X150              |
| 460143   | 1         | LOCK NUT M8 SST A2 DIN985             |
| 460386   | 1         | NUT HEX M12X1.75                      |
| 460423   | 1         | NUT HEX M10X1.50 LOCK DIN985A2 SS     |
| 460703   | 1         | NUT HEX M12X1.75 LOCK DIN985A2 SS     |
| 460747   | 1         | NUT HEX M24 LOCK                      |
| 460806   | 1         | NUT HEX M20X2.50 LOCK DIN985A2 SS     |
| 461244   | 1         | NUT HEX M24X3 JAMB.                   |
| 461251   | 1         | NUT HEX M20 X 2.5 JAMB                |
| 471122   | 1         | WASHER, M10, Ø20/10.5X 2.0, SS        |
| 471127   | 1         | WASHER, M12, Ø24/13X24X2.5 SS         |
| 480244   | 1         | PIN SNAP D4.5                         |
| 615819   | 1         | PIN                                   |
| 831391   | 1         | BOOM WHEEL KIT (2) F. FORCE 2002      |
| 14002400 | 1         | BUSHING D55.0/12.5 L=6 D34            |
| 14026700 | 1         | PIN Ø12 L=115/Ø5                      |
| 16007000 | 1         | SPRING HOLDER L=80                    |
| 16021200 | 1         | ANCHOR FORK F.40X40 TUBE              |
| 16026400 | 1         | FLAT BAR 40X4 F.BRACE                 |
| 22096400 | 1         | SPRING FOR TOUCHDOWN WHEEL RED        |
| 24262900 | 1         | RUBBER STOP D50X40 M10X33             |
| 28001600 | 1         | WHEEL 12-1/2" 4 PLY                   |
| 28004900 | 1         | GAS SPRING F.BREAKAWAY FORCE          |
| 28026303 | 1         | BEARING SEALED OD47xID20              |
| 28093300 | 1         | BUSH F. TIRE ASSM 28001600            |
| 61002200 | 1         | ADJ.ARM FTZ BOOMWHEEL                 |
| 61006200 | 1         | ADJ. ARM F.BREAKAWAY FTZ              |
| 61007700 | 1         | EXTENSION F.BREAKAWAY FORCE           |
| 61008700 | 1         | LINK EYE FORCE                        |
| 63005600 | 1         | BRACE F.BREAKAWAY 90'/100'            |
| 63005700 | 1         | BRACE F.BREAKAWAY 80'                 |
| 63014003 | 1         | BOOM WING 132' OUTER SEC. R.H.        |
| 63014103 | 1         | BOOM WING 132' OUTER SEC. L.H.        |
| 63021100 | 1         | WING OUT. FTZ 80-90' RH'10            |
| 63021200 | 1         | WING OUT. FTZ 80-90' LH'10            |
| 63027000 | 1         | FTZ BOOMWHEEL / TOP                   |
| 63027100 | 1         | SPRING BRACKET FOR BOOM WHEEL         |
| 63063700 | 1         | WING OUTER 2 FORCE 120' RH            |
| 63063800 | 1         | WING OUTER 2 FORCE 120' LH            |
| 63063900 | 1         | WING OUTER FORCE 100'-120' RH         |
| 63064000 | 1         | WING OUTER FORCE 100'-120' LH         |
| 63825000 | 1         | BREAKAWAY FTZ/SPC 3.0M, RED           |
| 63825100 | 1         | BRACE F.BREAKAWAY 110/120'            |
| 63828300 | 1         | BREAKAWAY FTZ/SPC 2.0M, RED           |
| 72126400 | 1         | WING BREAKAWAY 80'-90' SPC            |



**D0780**

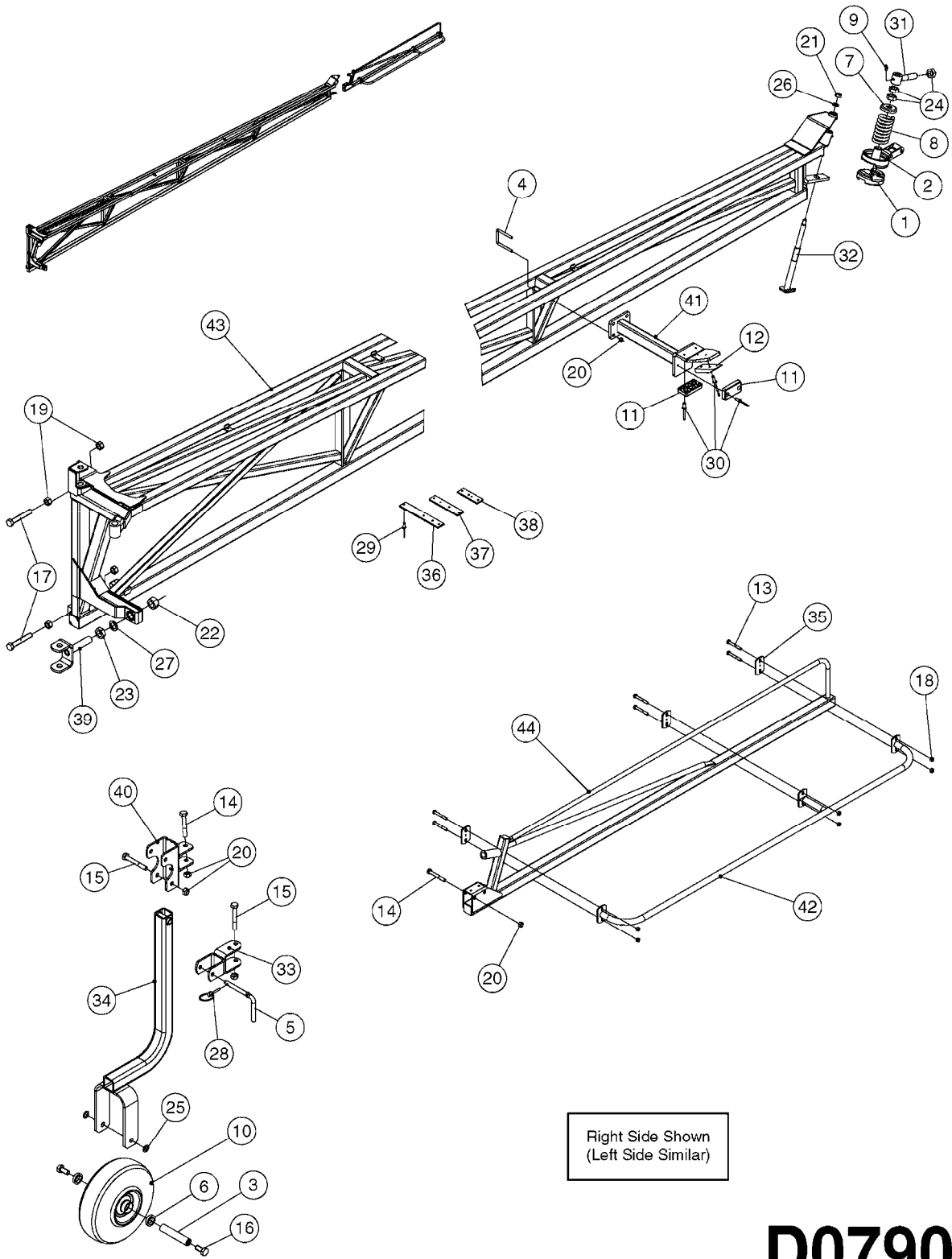


BOOM-FORCE INNER 100' BI-FOLD  
D0780-HIN, 01:01:16

Page 1

Date 12.08.2020 9:04

| Pos. | parts-n° | order qty | description  |
|------|----------|-----------|--|
| 1    | 146843   | 1         | BOLT U M8 F.60 x 60  |
| 2    | 147130   | 1         | BUSHING D25/20 20MM  |
| 3    | 147390   | 1         | BUSHING  |
| 4    | 147450   | 1         | PIN D20 X 70   |
| 5    | 147562   | 1         | BUSHING D19.8/17.0 L=15  |
| 6    | 210835   | 1         | BUSHING D28/25 L=25  |
| 7    | 210858   | 1         | BUSHING 034/30 L=20  |
| 8    | 210859   | 1         | BUSH Ø23X20 L20  |
| 9    | 283699   | 1         | GREASE NIPPLE M6X1   |
| 10   | 430940   | 1         | BOLT M20X210 8.8 DEL.  |
| 11   | 430941   | 1         | BOLT M20X260 8.8 DEL.  |
| 12   | 430970   | 1         | BOLT HEX M20X120 DIN931- DEL   |
| 13   | 460143   | 1         | LOCK NUT M8 SST A2 DIN985  |
| 14   | 460585   | 1         | LOCKING NUT M16 DIN985 A2 SS   |
| 15   | 460806   | 1         | NUT HEX M20X2.50 LOCK DIN985A2 SS  |
| 16   | 461236   | 1         | NUT HEX M24X1.5  |
| 17   | 471128   | 1         | WASHER, M16, Ø30/17.0X 3.0, SS   |
| 18   | 471129   | 1         | WASHER, M20, Ø37/21.0X 3.0, SS   |
| 19   | 480708   | 1         | PIN D4 X 45  |
| 20   | 480804   | 1         | RIVET Ø4.8x14.5  |
| 21   | 615796   | 1         | PIN D20 X M16 L=119MM  |
| 22   | 615820   | 1         | PIN D20 X M16 L=127MM  |
| 23   | 616084   | 1         | EYEBOLT LH TRD./ RH WING M24<br>EYEBOLT WITH L.H. THREADS FOR RIGHT WING   |
| 23   | 61009200 | 1         | EYEBOLT LH TRD./ LH WING M24<br>EYEBOLT WITH L.H. THREADS FOR LEFT WING    |
| 24   | 616085   | 1         | EYEBOLT STD. TRD./ LH WING M24<br>EYEBOLT WITH STD. THREADS FOR LEFT WING  |
| 24   | 61009300 | 1         | EYEBOLT STD.TRD. / RH WING M24<br>EYEBOLT WITH STD. THREADS FOR RIGHT WING |
| 25   | 14008800 | 1         | TURNBUCKLE L=200/M24X1.5   |
| 26   | 14011900 | 1         | PIN M20 L=125/D30  |
| 27   | 17015703 | 1         | FLAT BAR 3/16"X1.25" L=255<br>MOUNT BRACKET F.T25 PLUMBING                 |
| 28   | 17015903 | 1         | FLAT BAR 3/16"X1.25" L=220<br>MOUNT BRACKET F.T25 PLUMBING                 |
| 29   | 45003000 | 1         | BOLT HEX M16X120 DIN912/DELTA  |
| 30   | 61015600 | 1         | BOOM STOP TRANS REST,I.FTZ   |
| 31   | 63044400 | 1         | WING INNER 100' FTZ R.H.   |
| 31   | 63044500 | 1         | WING INNER 100' FTZ L.H.   |
| 32   | 63118500 | 1         | FOLDING ARM 1. FTZ / HAZ. R. RED   |
| 32   | 63118800 | 1         | FOLDING ARM 1. FTZ / HAZ. L RED  |
| 33   | 78121400 | 1         | DOUBLE CYLINDER D 50/30-300  |
| 34   | 78122400 | 1         | DOUBLE CYLINDER D 40/20-300  |



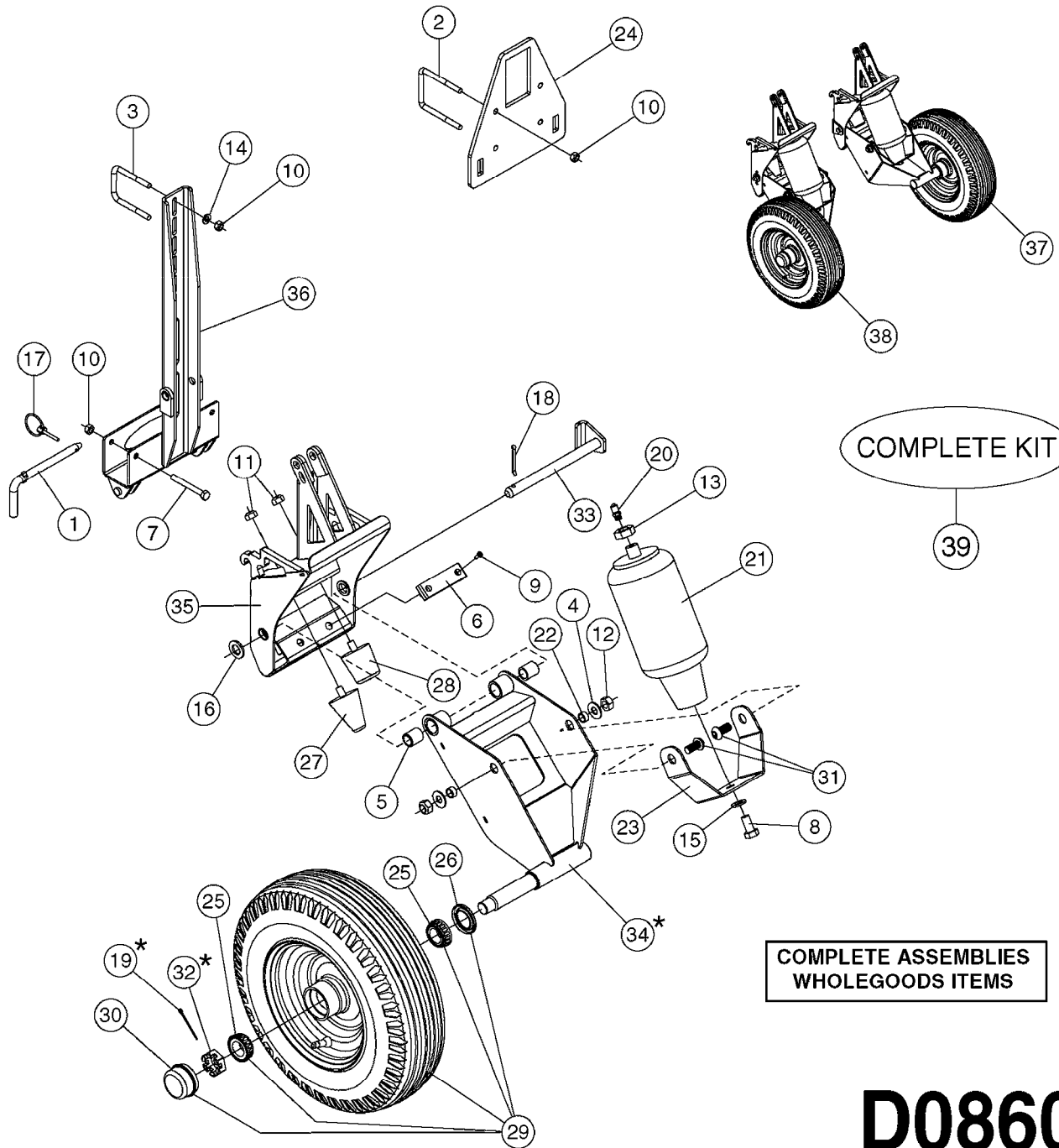
**D0790**



BOOM-FORCE OUTER 100' BI-FOLD  
D0790-HIN, 01:01:16

Page 1  
Date 12.08.2020 9:04

| Pos. | parts-n° | order qty | description  |
|------|----------|-----------|--|
| 1    | 111344   | 1         | CLAW CLUTCH Ø100/Ø20,5 UNDER PART RED                      |
| 2    | 111640   | 1         | CLAW CLUTCH Ø100 TOP PART RED                              |
| 3    | 141562   | 1         | FRONTWHEEL AXLE 3 WHEEL                                    |
| 4    | 143161   | 1         | BOLT U M10 40X40   |
| 5    | 144642   | 1         | LOCKING PAWL D10X65MM                                      |
| 6    | 145882   | 1         | BUSHING D30/D21X7  |
| 7    | 166246   | 1         | WASHER CUP D53 F.SPRING                                    |
| 8    | 220673   | 1         | SPRING F.PIVOT 100 X 51                                    |
| 9    | 283699   | 1         | GREASE NIPPLE M6X1   |
| 10   | 285500   | 1         | WHEEL F.BOOM SUPPORT 85X20                                 |
| 11   | 334603   | 1         | RUBBER STOP 86X48X15                                       |
| 12   | 390826   | 1         | SLIDE PAD F.TRANSPORT BKT.CM/D                             |
| 13   | 421024   | 1         | BOLT HEX 8.8 DEL M8X60                                     |
| 14   | 421083   | 1         | BOLT HEX 8.8 DEL M10X65                                    |
| 15   | 421222   | 1         | BOLT HEX 8.8 DEL M10X75 FT                                 |
| 16   | 430522   | 1         | BOLT HEX 8.8 DEL M12X25 FT                                 |
| 17   | 430861   | 1         | BOLT HEX 8.8 DEL M16X100 FT                                |
| 18   | 460143   | 1         | LOCK NUT M8 SST A2 DIN985                                  |
| 19   | 460327   | 1         | NUT HEX M16X2  |
| 20   | 460423   | 1         | NUT HEX M10X1.50 LOCK DIN985A2 SS                          |
| 21   | 460703   | 1         | NUT HEX M12X1.75 LOCK DIN985A2 SS                          |
| 22   | 460747   | 1         | NUT HEX M24 LOCK   |
| 23   | 461244   | 1         | NUT HEX M24X3 JAMB.  |
| 24   | 461251   | 1         | NUT HEX M20 X 2.5 JAMB                                     |
| 25   | 470385   | 1         | WASHER D14.8D8.1X2 LOCK GALV.                              |
| 26   | 471127   | 1         | WASHER, M12, Ø24/13X24X2.5 SS                              |
| 27   | 471179   | 1         | LOCK WASHER NORDLOCK M24 ELZ                               |
| 28   | 480244   | 1         | PIN SNAP D4.5  |
| 29   | 480804   | 1         | RIVET Ø4.8x14.5  |
| 30   | 480816   | 1         | RIVET Ø4.8X19.0/Ø14  |
| 31   | 615800   | 1         | LINK EYE BR.WING   |
| 32   | 615819   | 1         | PIN  |
| 33   | 615873   | 1         | MOUNT BRKT -BOOM WHEEL HAZ                                 |
| 34   | 615874   | 1         | ARM F.BOOM WHEEL HAZ                                       |
| 35   | 16026400 | 1         | FLAT BAR 40X4 F.BRACE                                      |
| 36   | 17016103 | 1         | FLAT BAR 3/16"X1.25" L=195<br>MOUNT BRACKET F.T25 PLUMBING |
| 37   | 17016303 | 1         | FLAT BAR 3/16"X1.25" L=145<br>MOUNT BRACKET F.T25 PLUMBING |
| 38   | 17016503 | 1         | FLAT BAR 3/16"X1.25" L=100<br>MOUNT BRACKET F.T25 PLUMBING |
| 39   | 61008700 | 1         | LINK EYE FORCE   |
| 40   | 61012700 | 1         | BRKT-BOOMWHL HAZ88-100,3°R<br>BRACKET FOR RIGHT WING       |
| 40   | 61012800 | 1         | BRKT-BOOMWHL HAZ88-100,3°L<br>BRACKET FOR LEFT WING        |
| 41   | 61016000 | 1         | BOOMSTOP/SUP HPZ/FTZ L=338                                 |
| 42   | 63005700 | 1         | BRACE F.BREAKAWAY 80'                                      |
| 43   | 63044600 | 1         | WING OUTER 100' FTZ R.H.                                   |
| 43   | 63044700 | 1         | WING OUTER 100' FTZ L.H.                                   |
| 44   | 63805000 | 1         | BREAKAWAY 110' FORCE                                       |



COMPLETE KIT  
39

COMPLETE ASSEMBLIES  
WHOLEGOODS ITEMS

# D0860



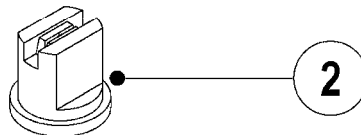
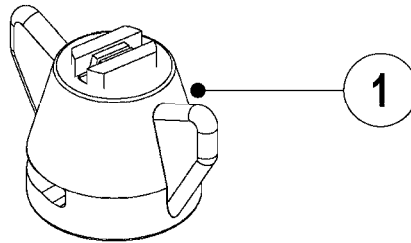
BOOM WHEEL, FTZ, HD, AIR-BAG  
D0860-HIN, 01:01:16

| Pos. | parts-n° | order qty | description   |
|------|----------|-----------|---|
| 1    | 142947   | 1         | LOCKING PAWL Ø12 L=108, DELTA                                   |
| 2    | 146843   | 1         | BOLT U M8 F.60 x 60   |
| 3    | 147516   | 1         | U-BOLT M8-50x50   |
| 4    | 165557   | 1         | WASHER D28.0/D12.2X2.0 SS                                       |
| 5    | 333697   | 1         | BUSHING D22/D16x25  |
| 6    | 333956   | 1         | SLIDE SHOE 91X25X10   |
| 7    | 421201   | 1         | BOLT HEX 8.8 DEL M8X70  |
| 8    | 430923   | 1         | BOLT HEX 1/2"-13 L=1" GR.2 SS                                   |
| 9    | 440665   | 1         | SCREW M4.2X16 STAINLESS   |
| 10   | 460143   | 1         | LOCK NUT M8 SST A2 DIN985                                       |
| 11   | 460423   | 1         | NUT HEX M10X1.50 LOCK DIN985A2 SS                               |
| 12   | 460703   | 1         | NUT HEX M12X1.75 LOCK DIN985A2 SS                               |
| 13   | 461248   | 1         | NUT HEX JAM 3/4"-16 UNF   |
| 14   | 471126   | 1         | WASHER, M8, Ø16/ 8.4X 1.6, SS                                   |
| 15   | 471127   | 1         | WASHER, M12, Ø24/13X24X2.5 SS                                   |
| 16   | 471128   | 1         | WASHER, M16, Ø30/17.0X 3.0, SS                                  |
| 17   | 480244   | 1         | PIN SNAP D4.5   |
| 18   | 480384   | 1         | PIN COTTER 3/16 x 1-1/2"  |
| 19   | 10008603 | 1         | COTTER PIN 1/8"X 1-1/2"<br>INCLUDED WITH PIVOT ARM              |
| 20   | 10480503 | 1         | TANK VALVE 1/8"NPT  |
| 21   | 10492403 | 1         | AIR BAG FOR TWIN SUSPENSION                                     |
| 22   | 14015203 | 1         | BUSH D16 X D12.5 L=8  |
| 23   | 16121603 | 1         | BOOM WHEEL AIR BAG BRACKET                                      |
| 24   | 16134703 | 1         | BOOM WHEEL STORAGE BRACKET                                      |
| 25   | 21002303 | 1         | BEARING, TAPPED, 1" SPINDLE                                     |
| 26   | 21002603 | 1         | SEAL, GREASE, F. BOOM WHEEL                                     |
| 27   | 24003503 | 1         | RUBBER BUFFER D42 X 50 M172                                     |
| 28   | 24003603 | 1         | RUBBER BUFFER D50 X 50 M174                                     |
| 29   | 28059803 | 1         | WHEEL & TIRE ASSY 4.8/4.0-8                                     |
| 30   | 29003603 | 1         | HUB CAP F. 1000LB HUB   |
| 31   | 43001003 | 1         | BTTN HD SCREW M12 X 25 SS                                       |
| 32   | 46001803 | 1         | NUT, CASTLE F. HD BOOM WHEEL<br>INCLUDED WITH PIVOT ARM         |
| 33   | 61014803 | 1         | BOOM WHEEL PIVOT PIN, PLATED                                    |
| 34   | 63030603 | 1         | BOOM WHEEL PIVOT ARM RH<br>INCLUDES CASTLE NUT & COTTER PIN     |
| 34   | 63030703 | 1         | BOOM WHEEL PIVOT ARM LH<br>INCLUDES CASTLE NUT & COTTER PIN     |
| 35   | 63030803 | 1         | BOOM WHEEL MOUNT CRADLE   |
| 36   | 63033103 | 1         | BOOM WHEEL MOUNT  |
| 37   | 70088103 | 1         | BOOM WHEEL ASSEMBLY, LEFT                                       |
| 38   | 70088203 | 1         | BOOM WHEEL ASSEMBLY, RIGHT                                      |
| 39   | 83353003 | 1         | BOOM WHEEL KIT, FTZ, HD, AIR-BAG<br>COMPLETE PAIR WITH HARDWARE |



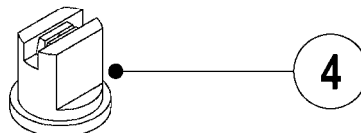
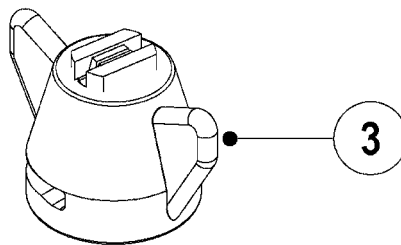


### SYNTAL



---

### CERAMIC



**D1000**

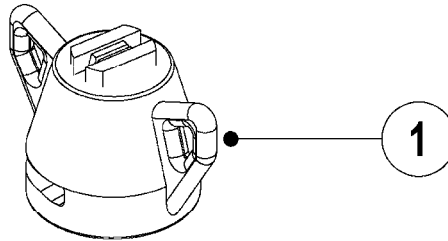


BOOM-NOZZLES 110° FLAT FAN ISO  
D1000-HIN, 01:01:16

| Pos. | parts-n° | order qty | description                    |
|------|----------|-----------|--------------------------------|
| 1    | 371764   | 1         | NOZZLE ISO CT F-01-110 ORANGE  |
| 1    | 371765   | 1         | NOZZLE ISO CT F-015-110 GREEN  |
| 1    | 371766   | 1         | NOZZLE ISO CT F-02-110 YELLOW  |
| 1    | 371767   | 1         | NOZZLE ISO CT F-03-110 BLUE    |
| 1    | 371768   | 1         | NOZZLE ISO CT F-04-110 RED     |
| 1    | 371769   | 1         | NOZZLE ISO CT F-05-110 BROWN   |
| 1    | 371770   | 1         | NOZZLE ISO CT F-06-110 GREY    |
| 1    | 371771   | 1         | NOZZLE ISO CT F-08-110 WHITE   |
| 1    | 371950   | 1         | NOZZLE ISO CT F-025-110 LILAC  |
| 1    | 371964   | 1         | NOZZLE ISO CT F-075-110 PINK   |
| 1    | 371970   | 1         | NOZZLE ISO CT F-10-110 LT BLUE |
| 2    | 371706   | 1         | NOZZLE ISO F-01-110 ORANGE     |
| 2    | 371707   | 1         | NOZZLE ISO F-015-110 GREEN     |
| 2    | 371708   | 1         | NOZZLE ISO F-02-110 YELLOW     |
| 2    | 371709   | 1         | NOZZLE ISO F-03-110 BLUE       |
| 2    | 371710   | 1         | NOZZLE ISO F-04-110 RED        |
| 2    | 371711   | 1         | NOZZLE ISO F-05-110 BROWN      |
| 2    | 371712   | 1         | NOZZLE ISO F-06-110 GREY       |
| 2    | 371713   | 1         | NOZZLE ISO F-08-110 WHITE      |
| 2    | 371946   | 1         | NOZZLE ISO F-025-110 LILAC     |
| 2    | 371963   | 1         | NOZZLE ISO F-075-110 PINK      |
| 2    | 371966   | 1         | NOZZLE ISO F-10-110 LT BLUE    |
| 3    | 371772   | 1         | NOZZLE ISO CT F-015-110C GREEN |
| 3    | 371773   | 1         | NOZZLE ISO CT F-02-110C YELLOW |
| 3    | 371774   | 1         | NOZZLE ISO CT F-03-110C BLUE   |
| 3    | 371775   | 1         | NOZZLE ISO CT F-04-110C RED    |
| 3    | 371776   | 1         | NOZZLE ISO CT F-05-110C BROWN  |
| 3    | 371777   | 1         | NOZZLE ISO CT F-06-110C GREY   |
| 4    | 371738   | 1         | NOZZLE ISO F-015-110C GREEN    |
| 4    | 371739   | 1         | NOZZLE ISO F-02-110C YELLOW    |
| 4    | 371740   | 1         | NOZZLE ISO F-03-110C BLUE      |
| 4    | 371741   | 1         | NOZZLE ISO F-04-110C RED       |
| 4    | 371742   | 1         | NOZZLE ISO F-05-110C BROWN     |
| 4    | 371743   | 1         | NOZZLE ISO F-06-110C GREY      |

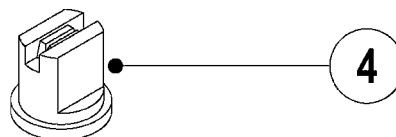
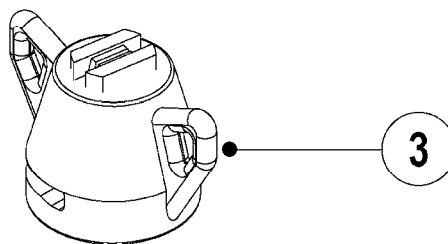


### SYNTAL



---

### CERAMIC



# D1010



BOOM-NOZZLES 110° LOWDRIFT ISO  
D1010-HIN, 01:01:16

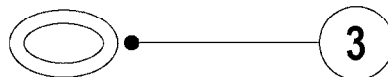
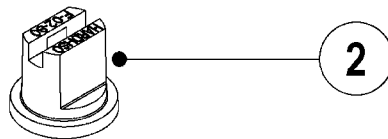
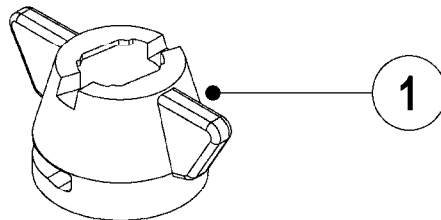
Page 1

Date 12.08.2020 9:04

| Pos. | parts-n° | order qty | description                    |
|------|----------|-----------|--------------------------------|
| 1    | 371837   | 1         | NOZZLE ISO CT LD-01-110 ORANGE |
| 1    | 371838   | 1         | NOZZLE ISO CT LD-015-110 GREEN |
| 1    | 371839   | 1         | NOZZLE ISO CT LD-02-110 YELLOW |
| 1    | 371840   | 1         | NOZZLE ISO CT LD-03-110 BLUE   |
| 1    | 371841   | 1         | NOZZLE ISO CT LD-04-110 RED    |
| 1    | 371894   | 1         | NOZZLE ISO CT LD-05-110 BROWN  |
| 1    | 371958   | 1         | NOZZLE ISO CT LD-025-110 LILAC |
| 2    | 371817   | 1         | NOZZLE ISO LD-01-110 ORANGE    |
| 2    | 371818   | 1         | NOZZLE ISO LD-015-110 GREEN    |
| 2    | 371819   | 1         | NOZZLE ISO LD-02-110 YELLOW    |
| 2    | 371820   | 1         | NOZZLE ISO LD-03-110 BLUE      |
| 2    | 371821   | 1         | NOZZLE ISO LD-04-110 RED       |
| 2    | 371893   | 1         | NOZZLE ISO LD-05-110 BROWN     |
| 2    | 371957   | 1         | NOZZLE ISO LD-025-110 LILAC    |
| 3    | 371842   | 1         | NOZZLE ISO CT LD-01-110C ORANG |
| 3    | 371843   | 1         | NOZZLE ISO CT LD-015-110C GRN  |
| 3    | 371844   | 1         | NOZZLE ISO CT LD-02-110C YELLO |
| 3    | 371845   | 1         | NOZZLE ISO CT LD-03-110C BLUE  |
| 3    | 371846   | 1         | NOZZLE ISO CT LD-04-110C RED   |
| 3    | 371897   | 1         | NOZZLE ISO CT LD-05-110C BROWN |
| 4    | 371822   | 1         | NOZZLE ISO LD-01-110C ORANGE   |
| 4    | 371823   | 1         | NOZZLE ISO LD-015-110C GREEN   |
| 4    | 371824   | 1         | NOZZLE ISO LD-02-110C YELLOW   |
| 4    | 371825   | 1         | NOZZLE ISO LD-03-110C BLUE     |
| 4    | 371826   | 1         | NOZZLE ISO LD-04-110C RED      |
| 4    | 371896   | 1         | NOZZLE ISO LD-05-110C BROWN    |



### SYNTAL



# D1020

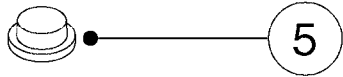


BOOM-NOZZLES 80° FLAT FAN ISO  
D1020-HIN, 01:01:16

Page 1

Date 12.08.2020 9:04

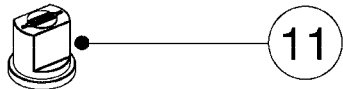
| Pos. | parts-n° | order qty | description                    |
|------|----------|-----------|--------------------------------|
| 1    | 334083   | 1         | SNAP-FIT NOZZLE HOLDER SS BLCK |
| 2    | 371931   | 1         | SYNTAL ISO F-01-80 TIP ORNG    |
| 2    | 371932   | 1         | SYNTAL ISO F-015-80 TIP GREEN  |
| 2    | 371933   | 1         | SYNTAL ISO F-02-80 TIP YELLOW  |
| 2    | 371934   | 1         | SYNTAL ISO F-03-80 TIP BLUE    |
| 3    | 10423503 | 1         | O-RING 9.12x3.53 NITRIL        |



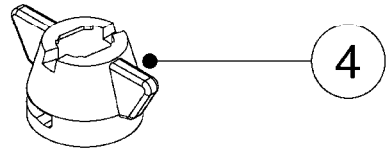
5



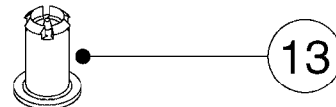
14



11



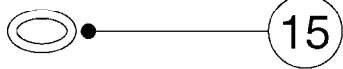
4



13



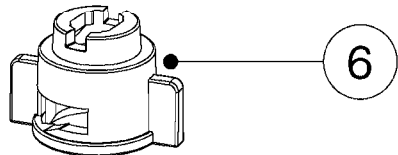
12



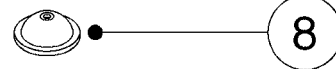
15



10



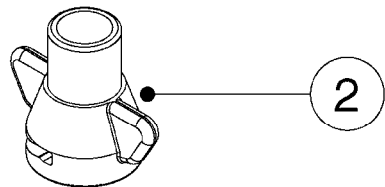
6



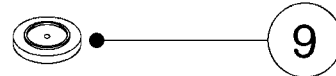
8



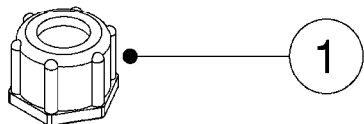
16



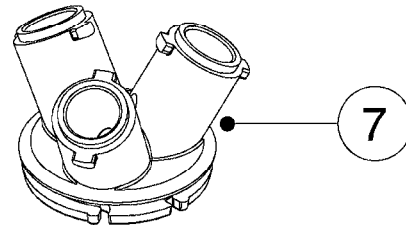
2



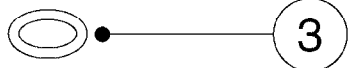
9



1



7



3

**D1030**

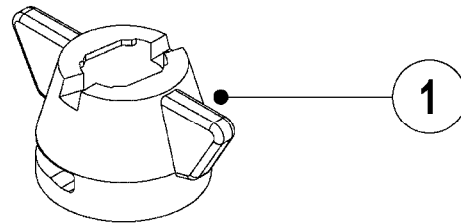


BOOM-NOZZLE CAPS AND FILTERS  
D1030-HIN, 28:11:17

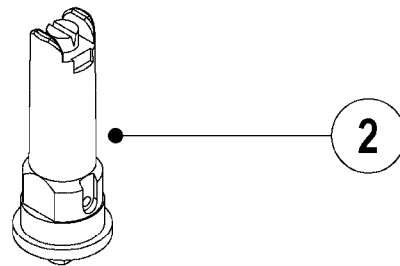
Page 1  
Date 12.08.2020 9:04

| Pos. | parts-n° | order qty | description                           |
|------|----------|-----------|---------------------------------------|
| 1    | 320187   | 1         | FITT.DK CAP 3/8" BSP BLACK            |
| 1    | 321517   | 1         | FITT.DK CAP 3/8" BSP WHITE            |
|      |          |           | ALWAYS USE WITH ISO AND INJET NOZZLES |
| 1    | 321797   | 1         | FITT.DK CAP 3/8' BSP BLUE             |
| 1    | 321801   | 1         | FITT.DK CAP 3/8' BSP GREEN            |
| 1    | 321812   | 1         | FITT.DK CAP 3/8' BSP RED              |
| 1    | 321823   | 1         | FITT.DK CAP 3/8' BSP ORANGE           |
| 1    | 321834   | 1         | FITT.DK CAP 3/8' BSP YELLOW           |
| 2    | 322068   | 1         | SNAP-FIT ADAPTER THREAD. HARDI        |
| 3    | 330013   | 1         | O-RING 2.5 X 10 PUR                   |
| 4    | 334083   | 1         | SNAP-FIT NOZZLE HOLDER SS BLCK        |
| 5    | 334102   | 1         | BLANK F.NOZZLE                        |
| 6    | 334862   | 1         | NOZZLE CAP TJBBLACK F.ISO/INJET       |
| 7    | 334926   | 1         | SNAP-FIT TURN PLATE F TRIPLET         |
| 8    | 370016   | 1         | NOZZLE CONE JET 1553-08               |
| 8    | 370027   | 1         | NOZZLE CONE JET 1553-10               |
| 8    | 370031   | 1         | NOZZLE CONE JET 1553-12               |
| 8    | 370042   | 1         | NOZZLE CONE JET 1553-14               |
| 8    | 370053   | 1         | NOZZLE CONE JET 1553-16               |
| 8    | 370064   | 1         | NOZZLE CONE JET 1553-18               |
| 8    | 370075   | 1         | NOZZLE CONE JET 1553-20               |
| 8    | 370086   | 1         | NOZZLE CONE JET 1553-22               |
| 8    | 370097   | 1         | NOZZLE CONE JET 1553-24               |
| 8    | 370101   | 1         | NOZZLE CONE JET 1553-30               |
| 8    | 370112   | 1         | NOZZLE CONE JET 1553-35               |
| 8    | 370123   | 1         | NOZZLE CONE JET 1553-40               |
| 9    | 370134   | 1         | NOZZLE SWIRL 1554-GREY                |
| 9    | 370145   | 1         | NOZZLE SWIRL 1554-BLACK               |
| 9    | 370156   | 1         | NOZZLE SWIRL 1554-BLUE                |
| 9    | 370167   | 1         | NOZZLE SWIRL 1554-1.3 WHITE           |
| 10   | 371551   | 1         | NOZZ LRG DROP FLAT SPRAY SINGL        |
| 11   | 372140   | 1         | HARDI ISO BLIND CAP                   |
| 12   | 390639   | 1         | O-RING F.NOZZLE FILTER                |
| 13   | 614366   | 1         | FILTER 50 MESH F.NOZZLE BLUE          |
| 13   | 614367   | 1         | FILTER 80 MESH F.NOZZLE RED           |
| 13   | 614368   | 1         | FILTER 100 MESH F.NOZZLE YEL.         |
| 14   | 725042   | 1         | SCREEN 80 MESH W.GASKET, RED          |
| 14   | 725043   | 1         | SCREEN 50 MESH W.GASKET,BLUE          |
| 14   | 725044   | 1         | SCREEN 100 MESH W.GASKET,YELLO        |
| 15   | 10423503 | 1         | O-RING 9.12x3.53 NITRIL               |
| 16   | 24022901 | 1         | GASKET D10X19 EP 3.2                  |



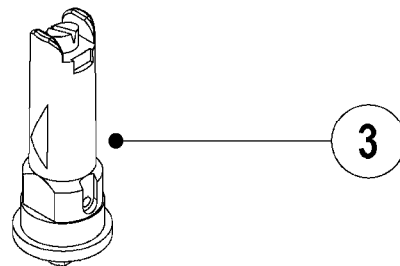


### INJET Nozzle SYNTAL



---

### B-JET Nozzle SYNTAL



**D1040**

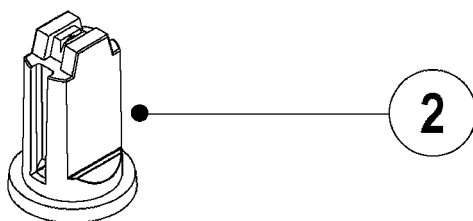
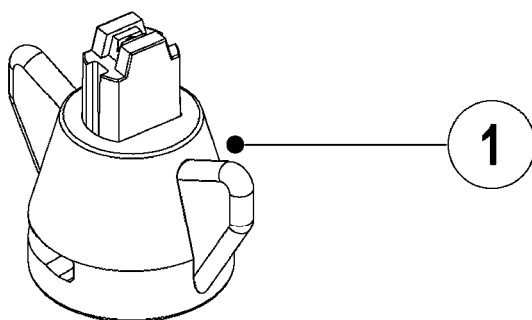


BOOM-NOZZLES INJET  
D1040-HIN, 01:01:16

Page 1

Date 12.08.2020 9:04

| Pos. | parts-n° | order qty | description                    |
|------|----------|-----------|--------------------------------|
| 1    | 334083   | 1         | SNAP-FIT NOZZLE HOLDER SS BLCK |
| 2    | 371872   | 1         | NOZZLE INJET 015 GREEN SINGLE  |
| 2    | 371873   | 1         | NOZZLE INJET 02 YELLOW SINGLE  |
| 2    | 371874   | 1         | NOZZLE INJET 025 LILAC SINGLE  |
| 2    | 371875   | 1         | NOZZLE INJET 03 BLUE SINGLE    |
| 2    | 371876   | 1         | NOZZLE INJET 04 RED SINGLE     |
| 2    | 371926   | 1         | NOZZLE INJET 01 ORANGE SINGLE  |
| 2    | 371927   | 1         | NOZZLE INJET 05 BROWN SINGLE   |
| 2    | 371928   | 1         | NOZZLE INJET 06 GREY SINGLE    |
| 2    | 371929   | 1         | NOZZLE INJET 08 WHITE SINGLE   |
| 3    | 371870   | 1         | NOZZLE B-JET 03 BLUE           |
| 3    | 371871   | 1         | NOZZLE B-JET 04 RED            |
| 3    | 371877   | 1         | NOZZLE B-JET 025 LILAC         |
| 3    | 371930   | 1         | NOZZLE B-JET 02 YELLOW         |



**D1050**

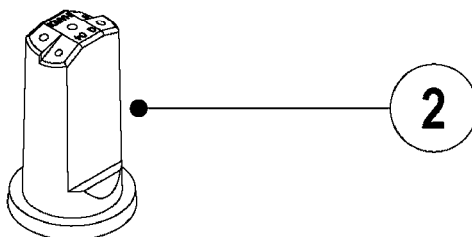
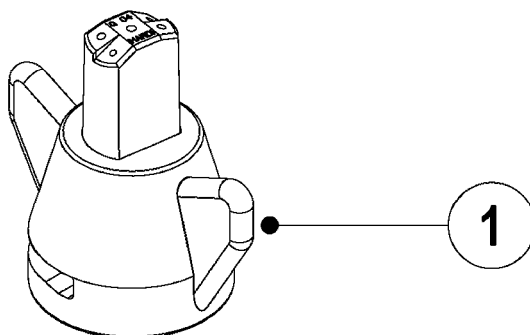


BOOM-NOZZLES MINIDRIFT  
D1050-HIN, 01:01:16

Page 1

Date 12.08.2020 9:04

| Pos. | parts-n° | order qty | description                    |
|------|----------|-----------|--------------------------------|
| 1    | 372121   | 1         | NOZZLE ISO CT MD-015-110 GREEN |
| 1    | 372122   | 1         | NOZZLE ISO CT MD-02-110 YELLOW |
| 1    | 372123   | 1         | NOZZLE ISO CT MD-025-110 LILAC |
| 1    | 372124   | 1         | NOZZLE ISO CT MD-03-110 BLUE   |
| 1    | 372125   | 1         | NOZZLE ISO CT MD-04-110 RED    |
| 1    | 372126   | 1         | NOZZLE ISO CT MD-05-110 BROWN  |
| 2    | 372111   | 1         | NOZZLE ISO MD-015-110 GREEN    |
| 2    | 372112   | 1         | NOZZLE ISO MD-02-110 YELLOW    |
| 2    | 372113   | 1         | NOZZLE ISO MD-025-110 LILAC    |
| 2    | 372114   | 1         | NOZZLE ISO MD-03-110 BLUE      |
| 2    | 372115   | 1         | NOZZLE ISO MD-04-110 RED       |
| 2    | 372116   | 1         | NOZZLE ISO MD-05-110 BROWN     |



**D1060**

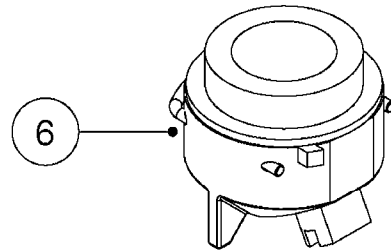
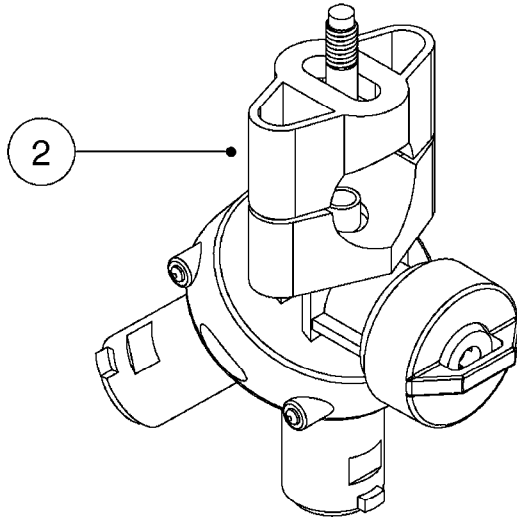


BOOM-NOZZLES QUINTASTREAM  
D1060-HIN, 01:01:16

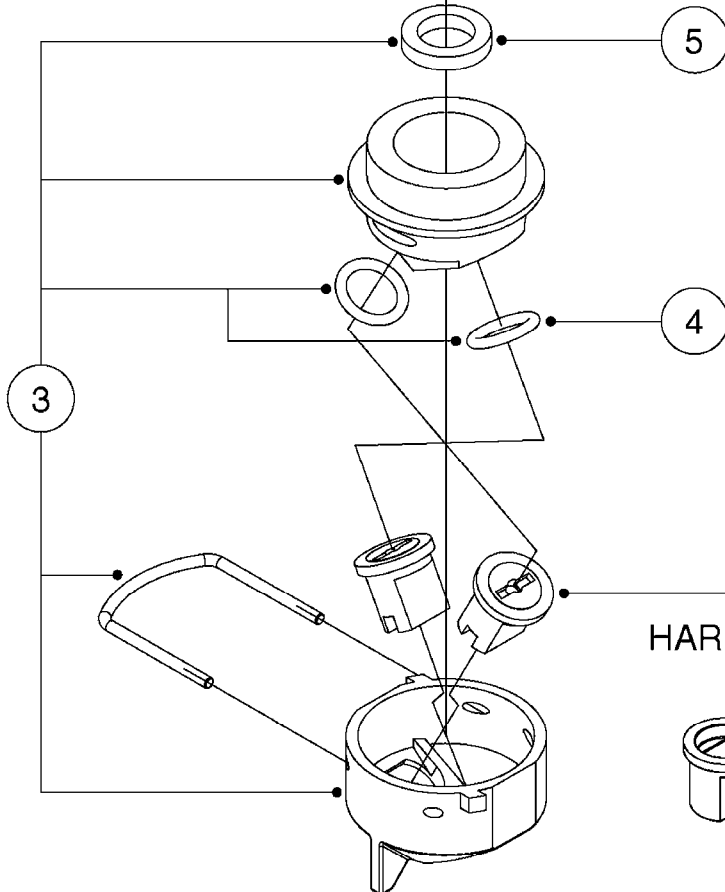
Page 1

Date 12.08.2020 9:04

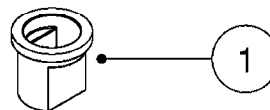
| Pos. | parts-n° | order qty | description                   |
|------|----------|-----------|-------------------------------|
| 1    | 372011   | 1         | NOZZLE ISO QS-015-5H GREEN    |
| 1    | 372012   | 1         | NOZZLE ISO QS-02-5H YELLOW    |
| 1    | 372013   | 1         | NOZZLE ISO QS-03-5H BLUE      |
| 1    | 372014   | 1         | NOZZLE ISO QS-04-5H RED       |
| 1    | 372015   | 1         | NOZZLE ISO QS-05-5H BROWN     |
| 1    | 372016   | 1         | NOZZLE ISO QS-06-5H GREY      |
| 1    | 372017   | 1         | NOZZLE ISO QS-08-5H WHITE     |
| 1    | 372018   | 1         | NOZZLE ISO QS-10-5H LT. BLUE  |
| 1    | 372019   | 1         | NOZZLE ISO QS-15-5H LT. GREEN |
| 2    | 372002   | 1         | ISO QNTSTRM 015 S-GREEN       |
| 2    | 372003   | 1         | ISO QNTSTRM 02 S-YELLOW       |
| 2    | 372004   | 1         | ISO QNTSTRM 03 S-BLUE         |
| 2    | 372005   | 1         | ISO QNTSTRM 04 S-RED          |
| 2    | 372006   | 1         | ISO QNTSTRM 05 S-BROWN        |
| 2    | 372007   | 1         | ISO QNTSTRM 06 S-GREY         |
| 2    | 372008   | 1         | ISO QNTSTRM 08 S-WHITE        |
| 2    | 372009   | 1         | ISO QNTSTRM 10 S-LT.BLU       |
| 2    | 372010   | 1         | ISO QNTSTRM 15 S-LT.GRN       |



COMPLETE ASSEMBLY  
WITH NOZZLES



REFER TO  
HARDI® NOZZLE CATALOG



**D1100**



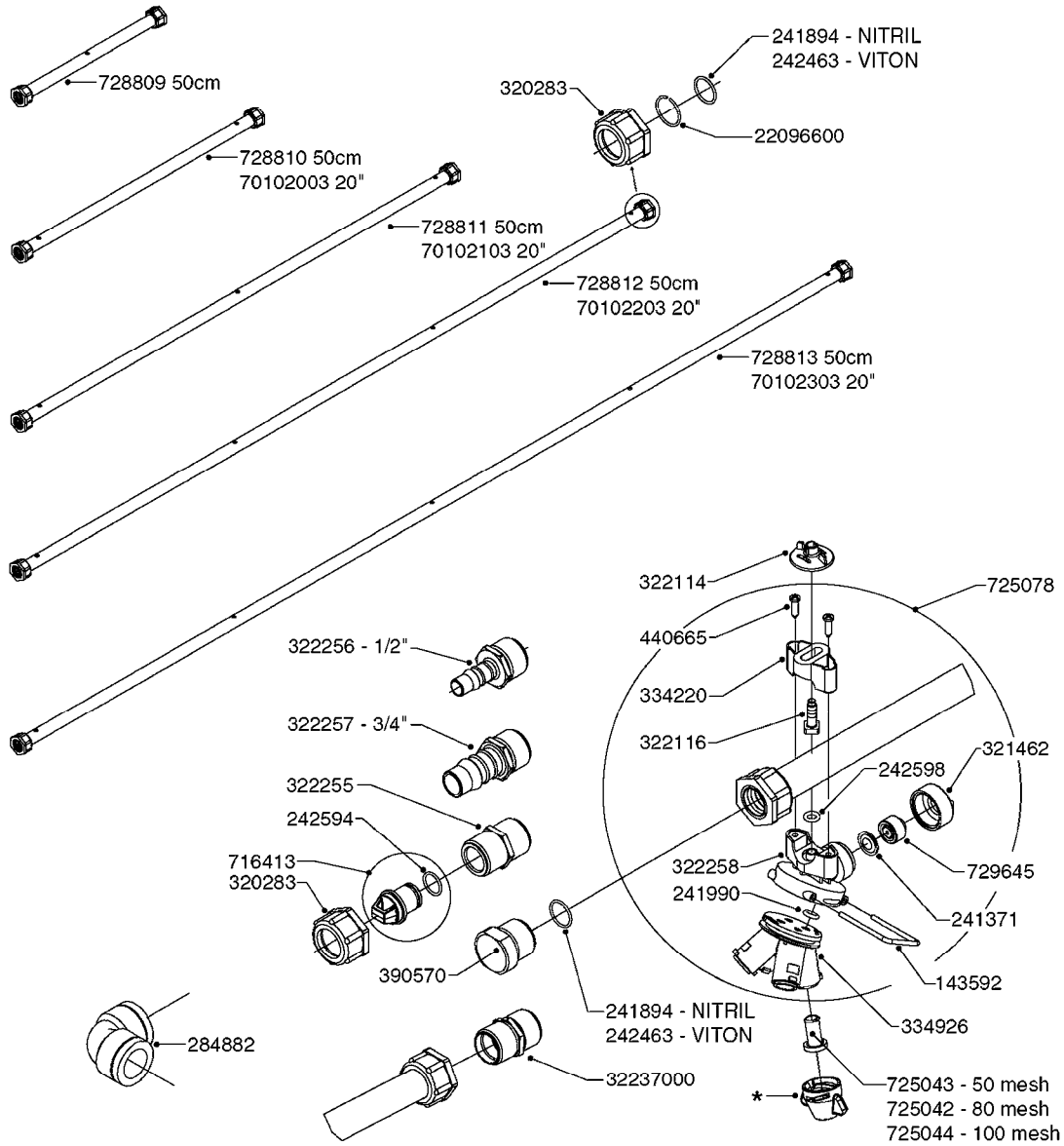
DOUBLE NOZZLE HOLDER-SNAP FIT  
D1100-HIN, 01:01:16

Page 1

Date 12.08.2020 9:04

| Pos. | parts-n° | order qty | description                    |
|------|----------|-----------|--------------------------------|
| 1    | 372140   | 1         | HARDI ISO BLIND CAP            |
| 2    | 725078   | 1         | SNAP-FIT TRIPLET W/O NOZZ HOLD |
| 3    | 28032503 | 1         | DOUBLE NOZZLE HOLDER LD ISO    |
| 4    | 28040103 | 1         | O-RING F.DOUBLE NOZZLE HOLDER  |
| 5    | 28089103 | 1         | GASKET F.DOUBLE NOZZLE HOLDER  |
| 6    | 70056803 | 1         | DOUBLE NOZZLE CAP ORANGE LD 01 |
| 6    | 70056903 | 1         | DOUBLE NOZZLE CAP GREEN LD 015 |
| 6    | 70057003 | 1         | DOUBLE NOZZLE CAP YELLOW LD 02 |
| 6    | 70057103 | 1         | DOUBLE NOZZLE CAP LILAC LD 025 |
| 6    | 70057203 | 1         | DOUBLE NOZZLE CAP BLUE LD 03   |
| 6    | 70057303 | 1         | DOUBLE NOZZLE CAP RED LD 04    |
| 6    | 70057403 | 1         | DOUBLE NOZZLE CAP BROWN LD 05  |

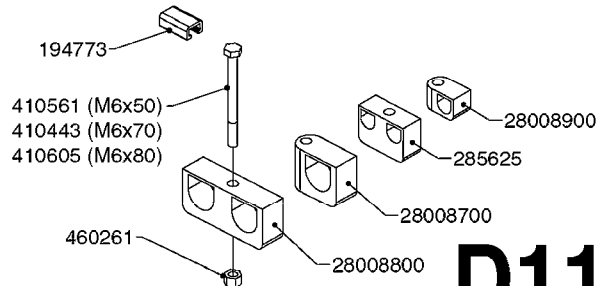




\*=REFER TO HARDI® NOZZLE CATALOG

**STAINLESS STEEL FEED TUBES**

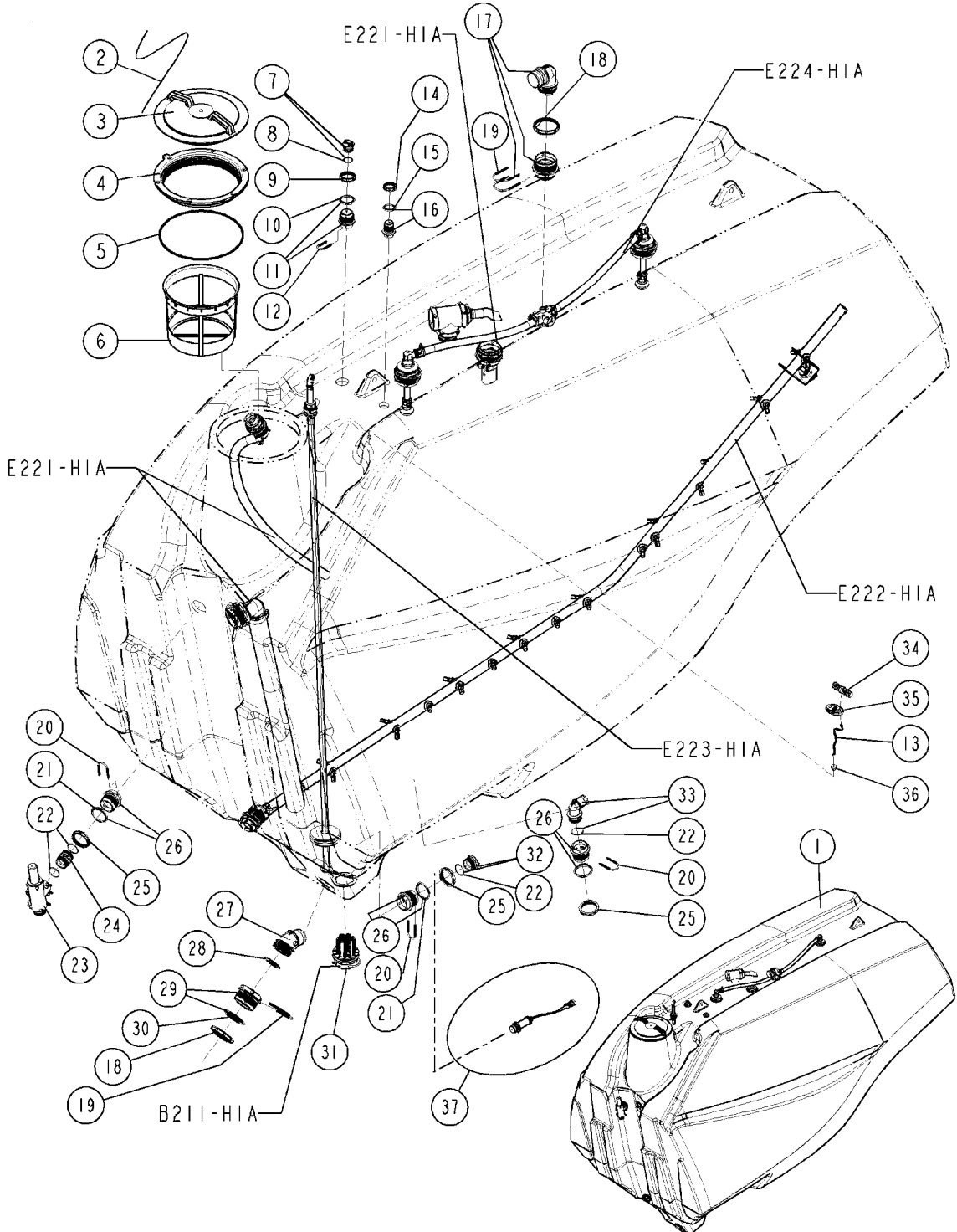
|        |                  |
|--------|------------------|
| 731824 | SS feed tube 14" |
| 731825 | SS feed tube 24" |
| 731826 | SS feed tube 43" |
| 731429 | SS feed tube 63" |
| 731430 | SS feed tube 83" |



**D1120**



| parts-n° | order qty | description                       |
|----------|-----------|-----------------------------------|
| 143592   | 1         | LOCK CLAMP FOR TRIPLET            |
| 194773   | 1         | C CHANNEL 14.5X8,8X3,5X2 L=24     |
| 241371   | 1         | DIAPHRAGM F.NO-DRIP,VULC          |
| 241894   | 1         | O-RING D17.1 X 1.6 70SH NITR      |
| 241990   | 1         | O-RING D9.3 X 2.4 VITON           |
| 242463   | 1         | O-RING D17.17 X1.78 VITON         |
| 242594   | 1         | O-RING D14 X 1.78 SCH.70-EPDM     |
| 242598   | 1         | O-RING D7.0 X 2.5 NITRIL          |
| 284882   | 1         | FITT.DK EL 3/4'X3/4' FEMALE 90    |
| 285625   | 1         | CLAMP FOR CABLE D12MM             |
| 320283   | 1         | FITT.DK NUT 3/4"BSP               |
| 321462   | 1         | CAP F.NO-DRIP ASSY.               |
| 322114   | 1         | NUT PLASTIC F.NOZZ.H              |
| 322116   | 1         | BOLT PLASTIC F.NOZZ.H.            |
| 322255   | 1         | FITT.DK NIPPLE 3/4"X 3/4"         |
| 322256   | 1         | FITT.DK 1/2'F.SS TUBE             |
| 322257   | 1         | FITT.DK 3/4"F.SS TUBE             |
| 322258   | 1         | HOUSING F.TRIPLET                 |
| 334220   | 1         | YOKE, UPPER NOZZLE BODY           |
| 334926   | 1         | SNAP-FIT TURN PLATE F TRIPLET     |
| 390570   | 1         | FITT.DK PLUG F.SS TUBE            |
| 410443   | 1         | BOLT HEX 8.8 DEL M6X70            |
| 410561   | 1         | BOLT HEX 8.8 DEL M6X50 FT         |
| 410605   | 1         | BOLT HEX 8.8 DEL M6X80            |
| 440665   | 1         | SCREW M4.2X16 STAINLESS           |
| 460261   | 1         | NUT HEX M6X1.00 LOCK DIN985 A2 SS |
| 716413   | 1         | FITT.DK PLUG ASSY. F.NOZ TUBE     |
| 725042   | 1         | SCREEN 80 MESH W.GASKET, RED      |
| 725043   | 1         | SCREEN 50 MESH W.GASKET,BLUE      |
| 725044   | 1         | SCREEN 100 MESH W.GASKET,YELLO    |
| 725078   | 1         | SNAP-FIT TRIPLET W/O NOZZ HOLD    |
| 728809   | 1         | NOZZLE TUBE SS 1 HOLE             |
| 728810   | 1         | NOZZLE TUBE SS 2 HOLE 500MM       |
| 728811   | 1         | NOZZLE TUBE SS 3 HOLE 500MM       |
| 728812   | 1         | NOZZLE TUBE SS 4 HOLE 500MM       |
| 728813   | 1         | NOZZLE TUBE SS 5 HOLE 500MM       |
| 729645   | 1         | NON-DRIP SPRING ASSY.GREEN 10     |
| 731429   | 1         | FEED TUBE SS L=1610mm             |
| 731430   | 1         | FEED TUBE SS L=2110mm             |
| 731824   | 1         | FEED TUBE SS L=360mm              |
| 731825   | 1         | FEED TUBE SS L=610mm              |
| 731826   | 1         | FEED TUBE SS L=1110mm             |
| 22096600 | 1         | SPRING RING Ø20X1.75 SST          |
| 28008700 | 1         | BOOM TUBE BRACKET                 |
| 28008800 | 1         | PIPE HOLDER DOUBLE FOR D22        |
| 28008900 | 1         | PIPE HOLDER SGL.                  |
| 32237000 | 1         | FITT.DK NIPPLE 3/4"X3/4"          |
| 70102003 | 1         | NOZZLE TUBE SS 2 HOLE 20"         |
| 70102103 | 1         | NOZZLE TUBE SS 3 HOLE 20"         |
| 70102203 | 1         | NOZZLE TUBE SS 4 HOLE 20"         |
| 70102303 | 1         | NOZZLE TUBE SS 5 HOLE 20"         |



# E220-HIA

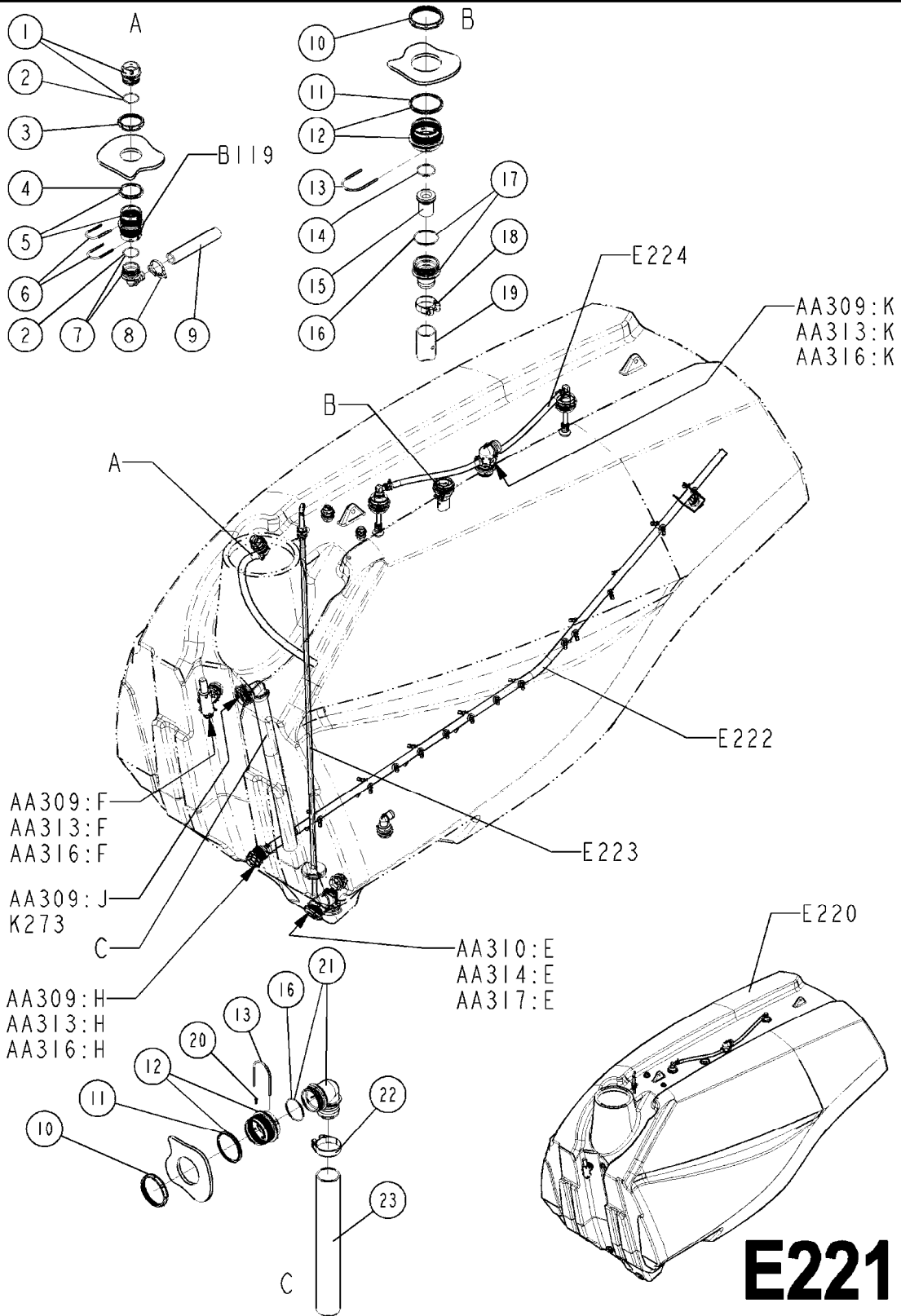


CM11 TANK 55/7000  
E220-HIA, 17:01:18

Page 1

Date 12.08.2020 9:04

| Pos. | parts-n° | order qty | description   |
|------|----------|-----------|---|
| 1    | 72731900 | 1         | TANK. 7000 COMMANDER ASSEMBLY<br>Sprayers before 2014 with electronic tank gauge, kit no.72522700, must be ordered separately |
| 1    | 72853300 | 1         | TANK, 5500 COMMANDER ASSEMBLY<br>Sprayers before 2014 with electronic tank gauge, kit no.72522700, must be ordered separately |
| 2    | 390401   | 1         | CORD NYLON F.LID 900MM  |
| 3    | 726003   | 1         | LID F. TANK   |
| 4    | 322097   | 1         | THREADED RING F. LID  |
| 5    | 614588   | 1         | SEAL F. LID   |
| 6    | 614602   | 1         | FILTER BASKET   |
| 7    | 726578   | 1         | FITT.DK S53 PLUG WITH O-RING  |
| 8    | 242354   | 1         | O-RING D32.2X3.0 VITON  |
| 9    | 322107   | 1         | FITT.DK S-53 BULKHEAD NUT   |
| 10   | 334260   | 1         | GASKET F. S-53 BULKHEAD   |
| 11   | 726463   | 1         | FITT.DK S53 BULKHEAD W/GASKET   |
| 12   | 145995   | 1         | FITT.DK S-53 FORK   |
| 13   | 390901   | 1         | POLYESTERLINE z3x3400   |
| 14   | 322106   | 1         | FITT.DK S-40 BULKHEAD NUT   |
| 15   | 334259   | 1         | GASKET F. S-40 BULKHEAD   |
| 16   | 726462   | 1         | FITT. S40 BULKHEAD W.GASKET   |
| 17   | 72374800 | 1         | TANK VENT S93 2-1/2" NAV/NCM  |
| 18   | 322109   | 1         | FITT.DK S-93 BULKHEAD NUT   |
| 19   | 145997   | 1         | FITT.DK S-93 FORK   |
| 20   | 145996   | 1         | FITT.DK S-67 FORK   |
| 21   | 334261   | 1         | GASKET F. S-67 BULKHEAD   |
| 22   | 242353   | 1         | O-RING 3 X 44.2 VITON   |
| 22   | 241973   | 1         | O-RING Ø3 X 44.2 70 SHORES NITRIL   |
| 23   | 72280300 | 1         | SAFTY VALVE S67 15 BAR CM'05  |
| 24   | 334573   | 1         | FITT.DK S-67 CONNECTOR  |
| 25   | 322108   | 1         | FITT.DK S-67 BULKHEAD NUT   |
| 26   | 726464   | 1         | FITT.DK S-67 BULKHEAD W/GASKET  |
| 27   | 72072900 | 1         | FITT. S93 2-1/2" 45° S W/O-RING   |
| 28   | 242351   | 1         | O-RING D69.5X3.0 VITON F.S-93   |
| 29   | 726465   | 1         | FITT.DK S-93 BULKHEAD W/GASKET  |
| 30   | 334262   | 1         | GASKET F.S-93 BULKHEAD  |
| 31   | 730084   | 1         | BOTTOM VALVE S93 2"RG-3M  |
| 32   | 726579   | 1         | FITT. S67 PLUG W/O-RING   |
| 33   | 727224   | 1         | FITT.DK S67X90,1.5HB SUCTION  |
| 34   | 334472   | 1         | HANDLE FOR TOP DRAIN  |
| 35   | 334469   | 1         | CLEVIS F.CORD TOP DRAIN ASSY.   |
| 36   | 14001500 | 1         | GROMMET F.TOP DRAIN CORD  |
| 37   | 72522700 | 1         | TANK GAUGE KIT S53  |





TANK CM11 55/7000 INSIDE  
E221-HIA, 01:07:13

Page 1

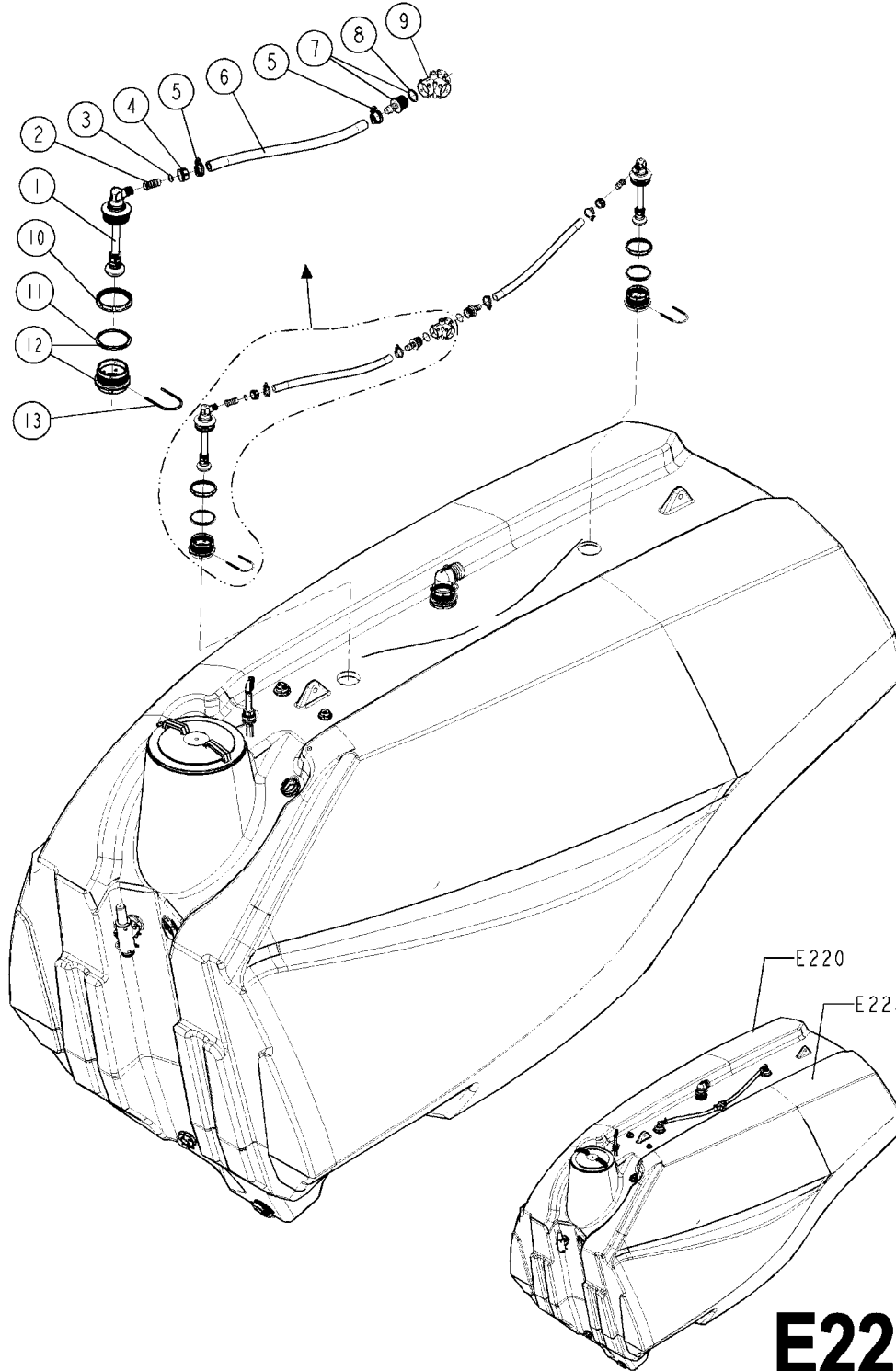
Date 12.08.2020 9:04

| Pos. | parts-n° | order qty | description                               |
|------|----------|-----------|---|
| 1    | 728561   | 1         | FITT.DK. S67M - S53F REDUCER              |
| 2    | 242353   | 1         | O-RING 3 X 44.2 VITON                     |
| 3    | 322108   | 1         | FITT.DK S-67 BULKHEAD NUT                 |
| 4    | 334261   | 1         | GASKET F. S-67 BULKHEAD                   |
| 5    | 72746000 | 1         | CHECK VALVE S67 2011 THREADED             |
| 6    | 145996   | 1         | FITT.DK S-67 FORK                         |
| 7    | 726572   | 1         | FITT.DK S-67 1" ELBOW 90 ASSY.            |
| 8    | 334680   | 1         | CLAMP HOSE PLASTIC 1"                     |
| 9    | 927124   | 1         | HOSE R X 60 BAR X 1 X 0012"<br>L > 1300mm |
| 10   | 322109   | 1         | FITT.DK S-93 BULKHEAD NUT                 |
| 11   | 334262   | 1         | GASKET F.S-93 BULKHEAD                    |
| 12   | 726465   | 1         | FITT.DK S-93 BULKHEAD W/GASKET            |
| 13   | 145997   | 1         | FITT.DK S-93 FORK                         |
| 14   | 242296   | 1         | O-RING D51X3.5                            |
| 15   | 39144000 | 1         | VENTURI TUBE CM11                         |
| 16   | 242351   | 1         | O-RING D69.5X3.0 VITON F.S-93             |
| 17   | 727227   | 1         | FITT.DK S-93 STR.2" W/ORING               |
| 18   | 283866   | 1         | CLAMP HOSE SCREW TYPE 2"DELTA             |
| 19   | 92739100 | 1         | SUCTION SPIRAL HOSE 2"<br>L < 1300mm      |
| 20   | 440675   | 1         | SCREW F. PLASTIC 5X16 SS<br>L < 1300mm    |
| 21   | 727226   | 1         | HOSETAIL S93 2"1/2 90°+O-RING             |
| 22   | 283890   | 1         | CLAMP HOSE SCREW TYPE 2 1/2"              |
| 23   | 92739200 | 1         | HOSE SPIRAL SUCT 2-1/2" '08<br>L > 1100mm |



CM11 (ALL) RINSING NOZZLE  
ASSY.  
E224-HIA, 19:11:12

|      |                 |
|------|-----------------|
| Page | 0               |
| Date | 12.08.2020 9:04 |



**E224**  
CM11 (all) Rinsing nozzle assy



CM11 (ALL) RINSING NOZZLE  
ASSY.  
E224-HIA, 19:11:12

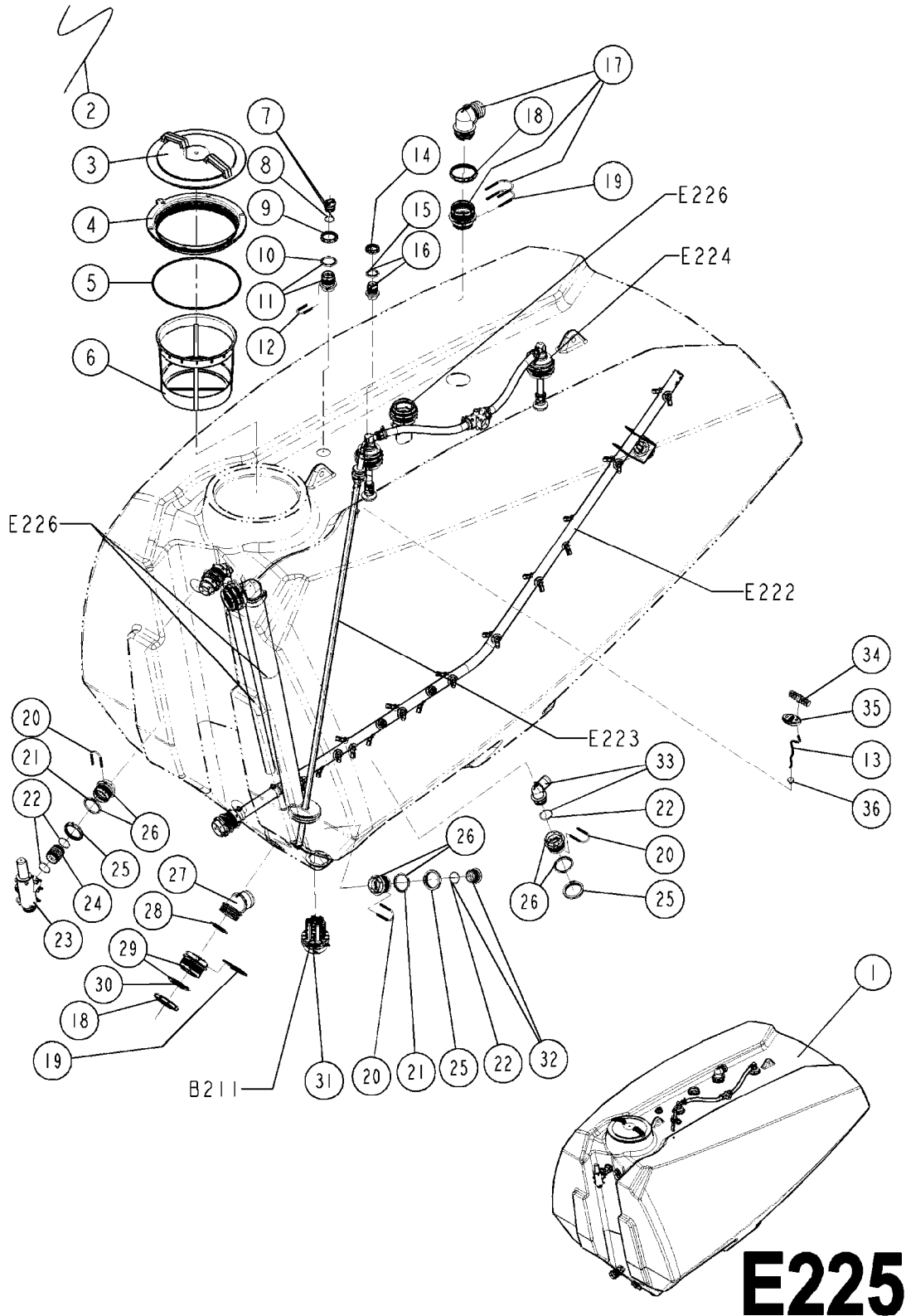
Page 1  
Date 12.08.2020 9:04

| Pos. | parts-n° | order qty | description   |
|------|----------|-----------|---|
| 1    | 72358000 | 1         | TANK RINSE LOW MOD.ASSMBLY NCM                      |
| 2    | 330691   | 1         | FITT.DK HB 3/4'F.3/4' NUT                           |
| 3    | 330595   | 1         | O-RING D24.6/D20X2.1 -3/4"                          |
| 4    | 320283   | 1         | FITT.DK NUT 3/4"BSP                                 |
| 5    | 334531   | 1         | CLAMP HOSE PLASTIC 3/4"                             |
| 6    | 927124   | 1         | HOSE R X 60 BAR X 1 X 0012"<br>CM 33/4500 L > 385mm |
| 6    | 927124   | 1         | HOSE R X 60 BAR X 1 X 0012"<br>CM 55/7000 L > 620mm |
| 7    | 334229   | 1         | FITT.DK S-53 STR.3/4"                               |
| 8    | 242109   | 1         | O-RING D32.2x3.0                                    |
| 9    | 322352   | 1         | FITT.DK S-53 TEE                                    |
| 10   | 322109   | 1         | FITT.DK S-93 BULKHEAD NUT                           |
| 11   | 334262   | 1         | GASKET F.S-93 BULKHEAD                              |
| 12   | 726465   | 1         | FITT.DK S-93 BULKHEAD W/GASKET                      |
| 13   | 145997   | 1         | FITT.DK S-93 FORK                                   |





CM11 TANK 4500  
E225-HIA, 17:01:18

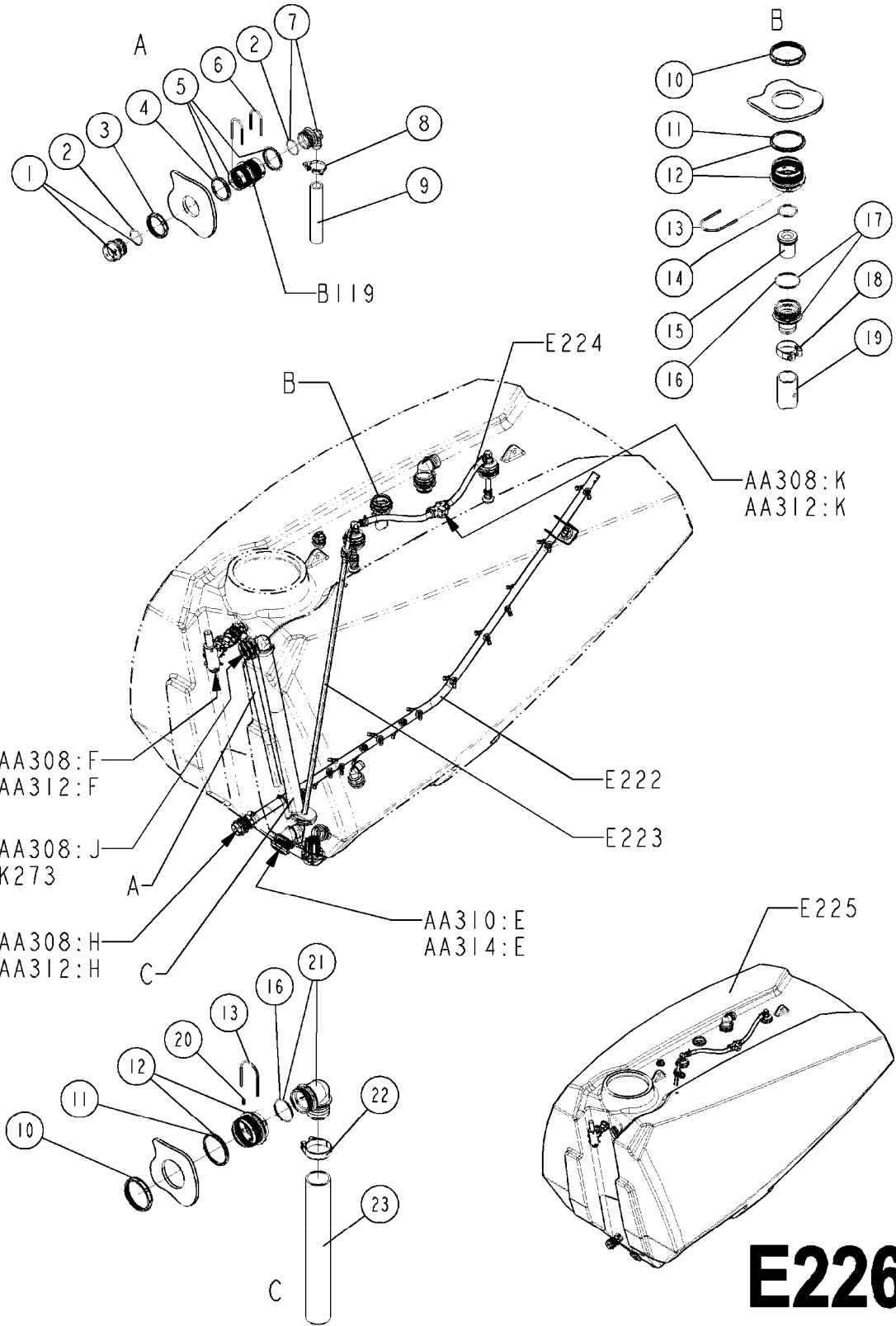




CM11 TANK 4500  
E225-HIA, 17:01:18

Page 1  
Date 12.08.2020 9:04

| Pos. | parts-n° | order qty | description                           |
|------|----------|-----------|---------------------------------------|
| 1    | 72853100 | 1         | TANK 3300L MOUNTED CM11'              |
| 1    | 73125400 | 1         | TANK.4500L ASSY. CM11 '15             |
| 2    | 390401   | 1         | CORD NYLON F.LID 900MM                |
| 3    | 726003   | 1         | LID F. TANK                           |
| 4    | 322097   | 1         | THREADED RING F. LID                  |
| 5    | 614588   | 1         | SEAL F. LID                           |
| 6    | 614602   | 1         | FILTER BASKET                         |
| 7    | 726578   | 1         | FITT.DK S53 PLUG WITH O-RING          |
| 8    | 242354   | 1         | O-RING D32.2X3.0 VITON                |
| 9    | 322107   | 1         | FITT.DK S-53 BULKHEAD NUT             |
| 10   | 334260   | 1         | GASKET F. S-53 BULKHEAD               |
| 11   | 726463   | 1         | FITT.DK S53 BULKHEAD W/GASKET         |
| 12   | 145995   | 1         | FITT.DK S-53 FORK                     |
| 13   | 390901   | 1         | POLYESTERLINE z3x3400                 |
| 14   | 322106   | 1         | FITT.DK S-40 BULKHEAD NUT             |
| 15   | 334259   | 1         | GASKET F. S-40 BULKHEAD               |
| 16   | 726462   | 1         | FITT. S40 BULKHEAD W.GASKET           |
| 17   | 72374800 | 1         | TANK VENT S93 2-1/2" NAV/NCM          |
| 18   | 322109   | 1         | FITT.DK S-93 BULKHEAD NUT             |
| 19   | 145997   | 1         | FITT.DK S-93 FORK                     |
| 20   | 145996   | 1         | FITT.DK S-67 FORK                     |
| 21   | 334261   | 1         | GASKET F. S-67 BULKHEAD               |
| 22   | 242353   | 1         | O-RING 3 X 44.2 VITON                 |
| 22   | 241973   | 1         | O-RING Ø3 X 44.2 70 SHORES NITRIL     |
| 23   | 72280300 | 1         | SAFTY VALVE S67 15 BAR CM'05          |
| 24   | 334573   | 1         | FITT.DK S-67 CONNECTOR                |
| 25   | 322108   | 1         | FITT.DK S-67 BULKHEAD NUT             |
| 26   | 726464   | 1         | FITT.DK S-67 BULKHEAD W/GASKET        |
| 27   | 72072900 | 1         | FITT. S93 2-1/2" 45° S W/O-RING       |
| 28   | 242351   | 1         | O-RING D69.5X3.0 VITON F.S-93         |
| 29   | 726465   | 1         | FITT.DK S-93 BULKHEAD W/GASKET        |
| 30   | 334262   | 1         | GASKET F.S-93 BULKHEAD                |
| 31   | 730084   | 1         | BOTTOM VALVE S93 2"RG-3M              |
| 32   | 726579   | 1         | FITT. S67 PLUG W/O-RING               |
| 33   | 727224   | 1         | FITT.DK S67X90,1.5HB SUCTION          |
| 34   | 334472   | 1         | HANDLE FOR TOP DRAIN                  |
| 35   | 334469   | 1         | CLEVIS F.CORD TOP DRAIN ASSY.         |
| 36   | 14001500 | 1         | GROMMET F.TOP DRAIN CORD              |
|      | 73356600 | 1         | FITT.DK S-67 CONNECT W. ORINGS NITRIL |





TANK CM11 4500 INSIDE  
E226-HIA, 02:07:13

Page 1  
Date 12.08.2020 9:04

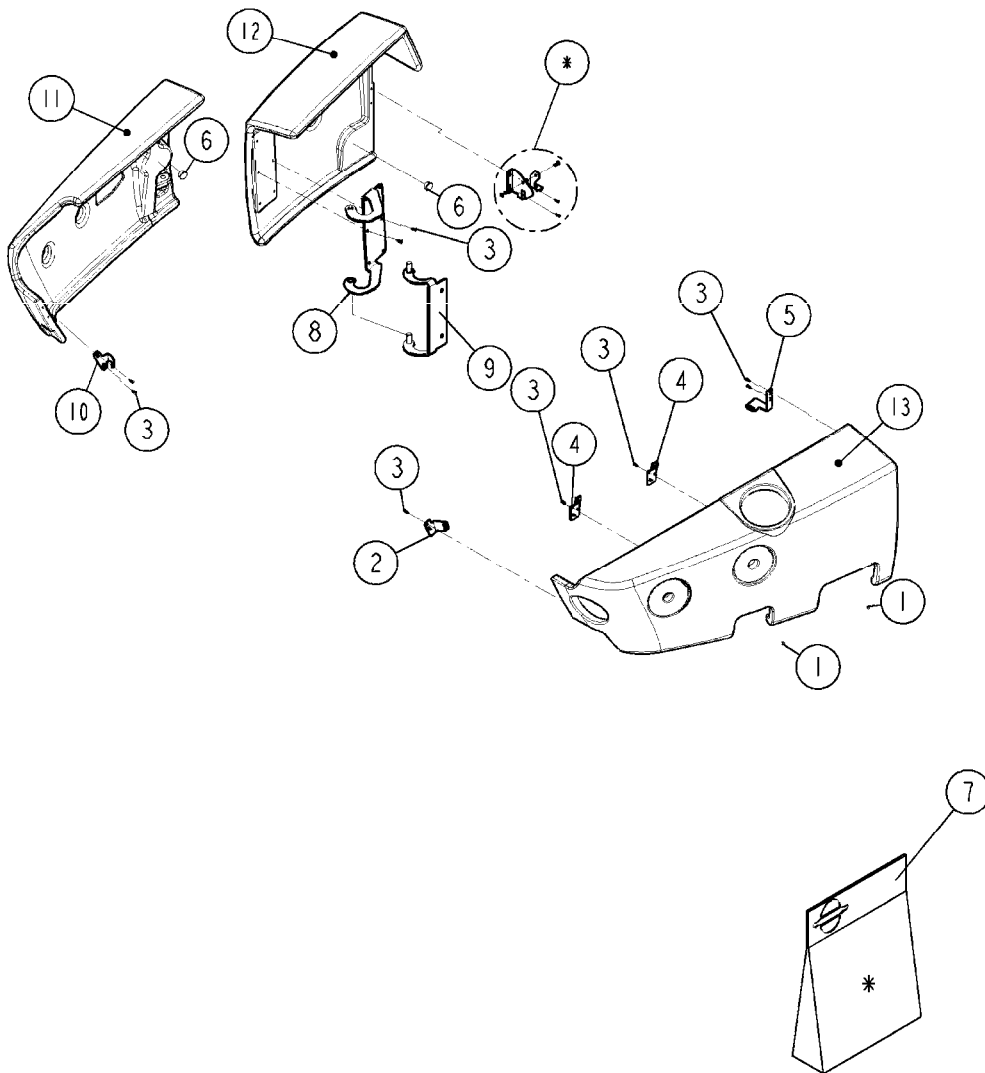
| Pos. | parts-n° | order qty | description                               |
|------|----------|-----------|---|
| 1    | 728561   | 1         | FITT.DK. S67M - S53F REDUCER              |
| 2    | 242353   | 1         | O-RING 3 X 44.2 VITON                     |
| 3    | 322108   | 1         | FITT.DK S-67 BULKHEAD NUT                 |
| 4    | 334261   | 1         | GASKET F. S-67 BULKHEAD                   |
| 5    | 72746000 | 1         | CHECK VALVE S67 2011 THREADED             |
| 6    | 145996   | 1         | FITT.DK S-67 FORK                         |
| 7    | 726572   | 1         | FITT.DK S-67 1" ELBOW 90 ASSY.            |
| 8    | 334680   | 1         | CLAMP HOSE PLASTIC 1"                     |
| 9    | 927124   | 1         | HOSE R X 60 BAR X 1 X 0012"<br>L > 1300mm |
| 10   | 322109   | 1         | FITT.DK S-93 BULKHEAD NUT                 |
| 11   | 334262   | 1         | GASKET F.S-93 BULKHEAD                    |
| 12   | 726465   | 1         | FITT.DK S-93 BULKHEAD W/GASKET            |
| 13   | 145997   | 1         | FITT.DK S-93 FORK                         |
| 14   | 242296   | 1         | O-RING D51X3.5                            |
| 15   | 39144000 | 1         | VENTURI TUBE CM11                         |
| 16   | 242351   | 1         | O-RING D69.5X3.0 VITON F.S-93             |
| 17   | 727227   | 1         | FITT.DK S-93 STR.2" W/ORING               |
| 18   | 283866   | 1         | CLAMP HOSE SCREW TYPE 2"DELTA             |
| 19   | 92739100 | 1         | SUCTION SPIRAL HOSE 2"<br>L < 1300mm      |
| 20   | 440675   | 1         | SCREW F. PLASTIC 5X16 SS<br>L < 1300mm    |
| 21   | 727226   | 1         | HOSETAIL S93 2"1/2 90°+O-RING             |
| 22   | 283890   | 1         | CLAMP HOSE SCREW TYPE 2 1/2"              |
| 23   | 92739200 | 1         | HOSE SPIRAL SUCT 2-1/2" '08<br>L > 1100mm |



CM11 COVERING  
E229-HIA, 31:10:13

Page 0

Date 12.08.2020 9:04



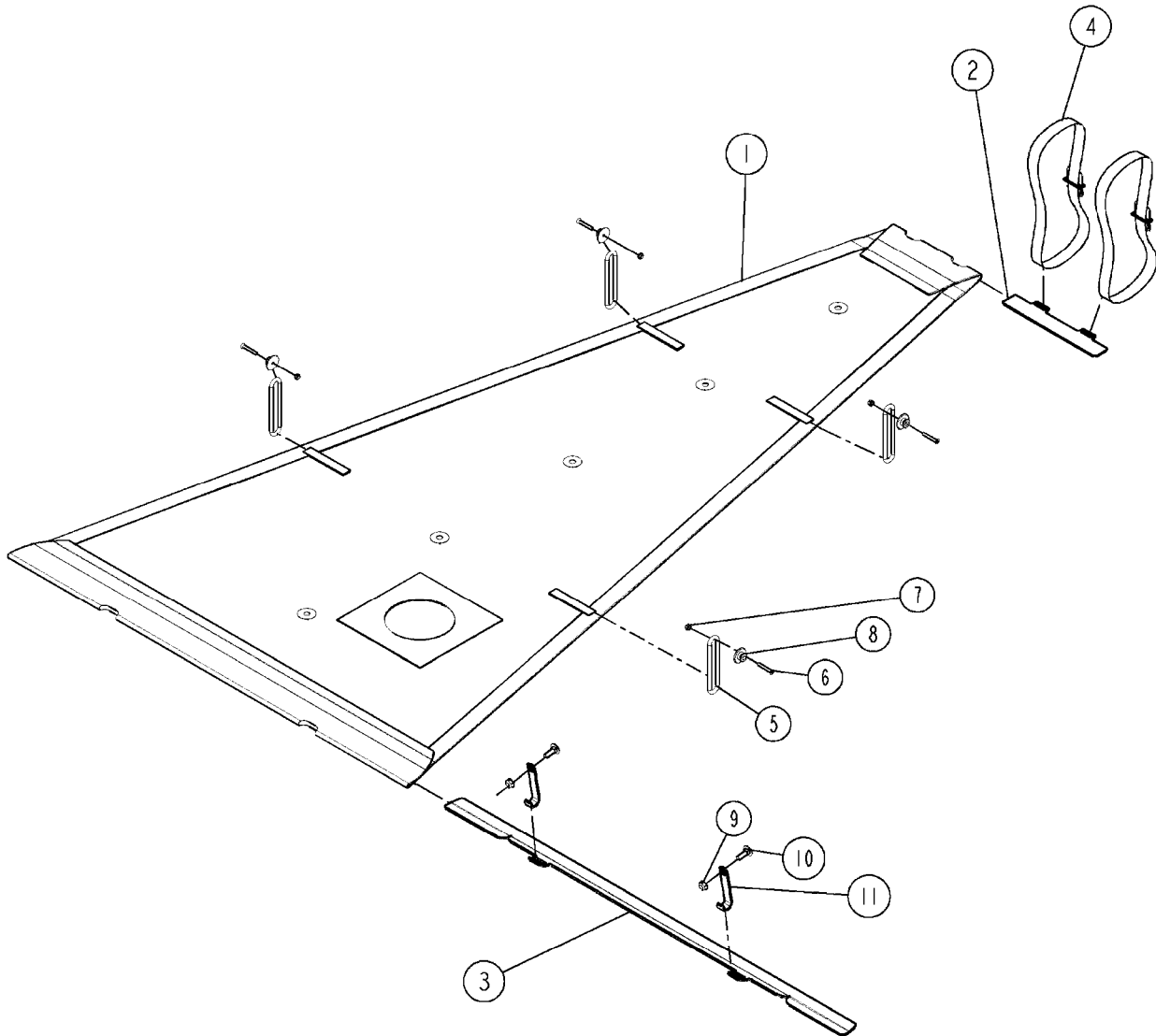
**E229**



CM11 COVERING  
E229-HIA, 31:10:13

Page 1  
Date 12.08.2020 9:04

| Pos. | parts-n° | order qty | description                         |
|------|----------|-----------|-------------------------------------|
| 1    | 14042800 | 1         | INDICATOR FOR VALVE POSITION        |
| 2    | 16135300 | 1         | BKT F. FRONT LH COVER NCM           |
| 3    | 440719   | 1         | SCREW F.PLASTIC KB60x20 SS          |
| 4    | 16135400 | 1         | MIDDLE HANGER LEFT GRAY SIDE        |
| 5    | 16135500 | 1         | BKT F. FRONT LH COVER NCM           |
| 6    | 28046900 | 1         | COVER PLUG 1" BLACK                 |
| 7    | 74193900 | 1         | LOCK DEVICE CHEMLOCKER CM45/55/7000 |
| 8    | 16133800 | 1         | HINGE F.GREY SHIELD CM '05          |
| 9    | 61035500 | 1         | HINGE BRACKET FOR CM05 LOCKER       |
| 10   | 16134000 | 1         | BKT F. FRONT RH COVER NCM           |
| 11   | 351779   | 1         | SIDSKIRT FRONT RIGHT NCM            |
| 12   | 351780   | 1         | SIDSKIRT BACK RIGHT NCM             |
| 13   | 351781   | 1         | SIDSKIRT LEFT NCM                   |



**E230**



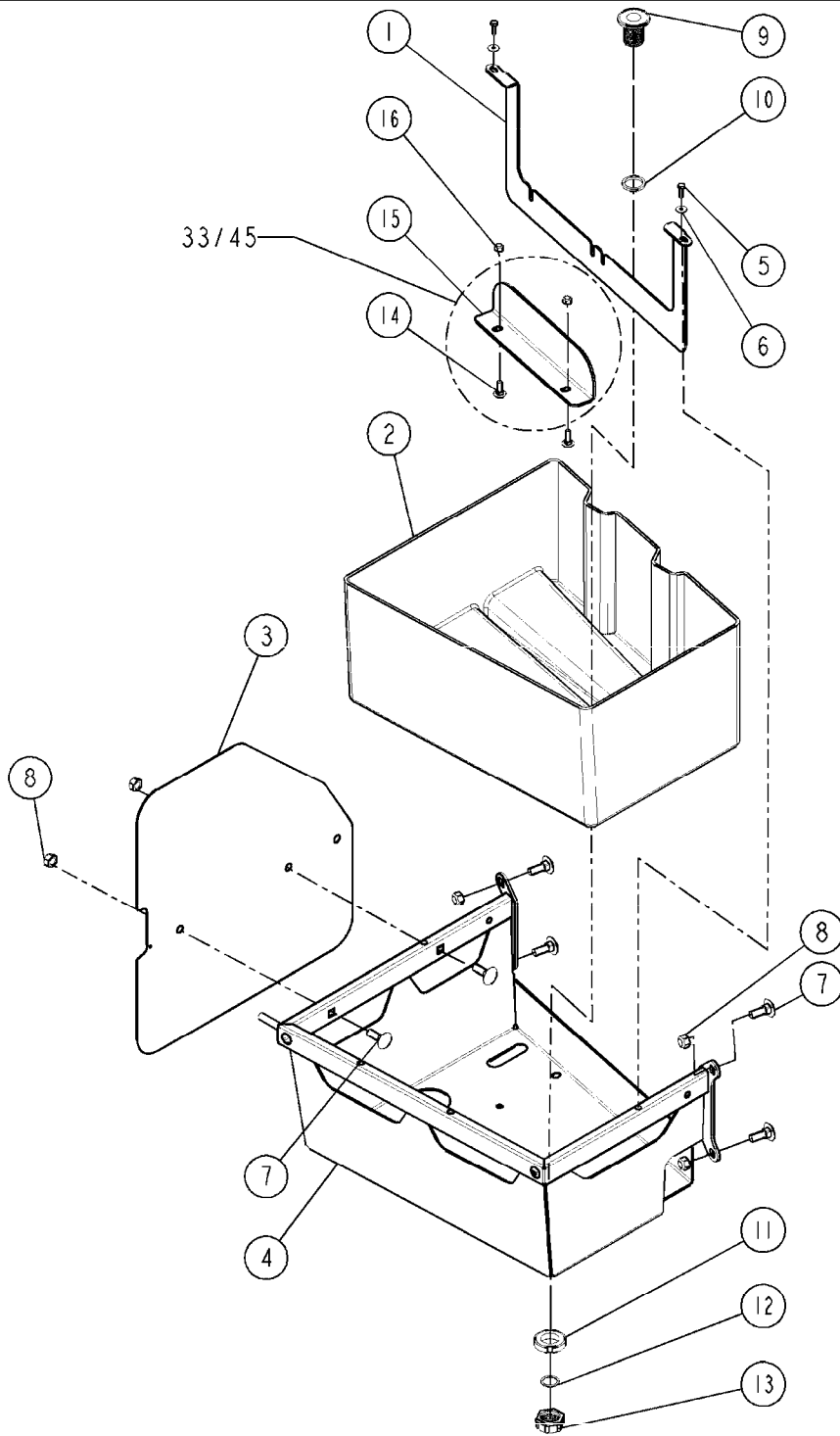
CM11 UNDERBELLY PROTECTION  
E230-HIA, 01:11:13

Page 1

Date 12.08.2020 9:04

| Pos. | parts-n° | order qty | description                           |
|------|----------|-----------|---------------------------------------|
| 1    | 28121400 | 1         | UNDERBELLY PROTECTOR CM3300           |
| 1    | 28121500 | 1         | UNDERBELLY PROTECTOR CM4500           |
| 1    | 28112500 | 1         | UNDERBELLY PROTECTOR CM7000           |
| 2    | 16390900 | 1         | PLATE F.UNDERBELLY PROTECT.CM11 RED   |
| 3    | 16398300 | 1         | PLATE F.UNDERB.PROTECT.CM3300 PAINTED |
| 3    | 16398600 | 1         | PLATE F.UNDERB.PROTECT.CM4500 PAINTED |
| 3    | 16358600 | 1         | PLATE F.UNDERBELLY PROTECTOR          |
| 4    | 28120300 | 1         | STRAP W. TENSION L=450 MM.            |
| 5    | 242281   | 1         | RUBBER BAND OVAL 180MM                |
| 6    | 45005200 | 1         | BOLT M6X40 DIN 7991 SS                |
| 7    | 460261   | 1         | NUT HEX M6X1.00 LOCK DIN985 A2 SS     |
| 8    | 28120400 | 1         | BUTTON F.RUBBER STRAP                 |
| 9    | 460423   | 1         | NUT HEX M10X1.50 LOCK DIN985A2 SS     |
| 10   | 44074300 | 1         | BOLT CARRIAGE M10x30 SS               |
| 11   | 16358800 | 1         | PLATE BKT F.BOTTOM PROTECTION         |





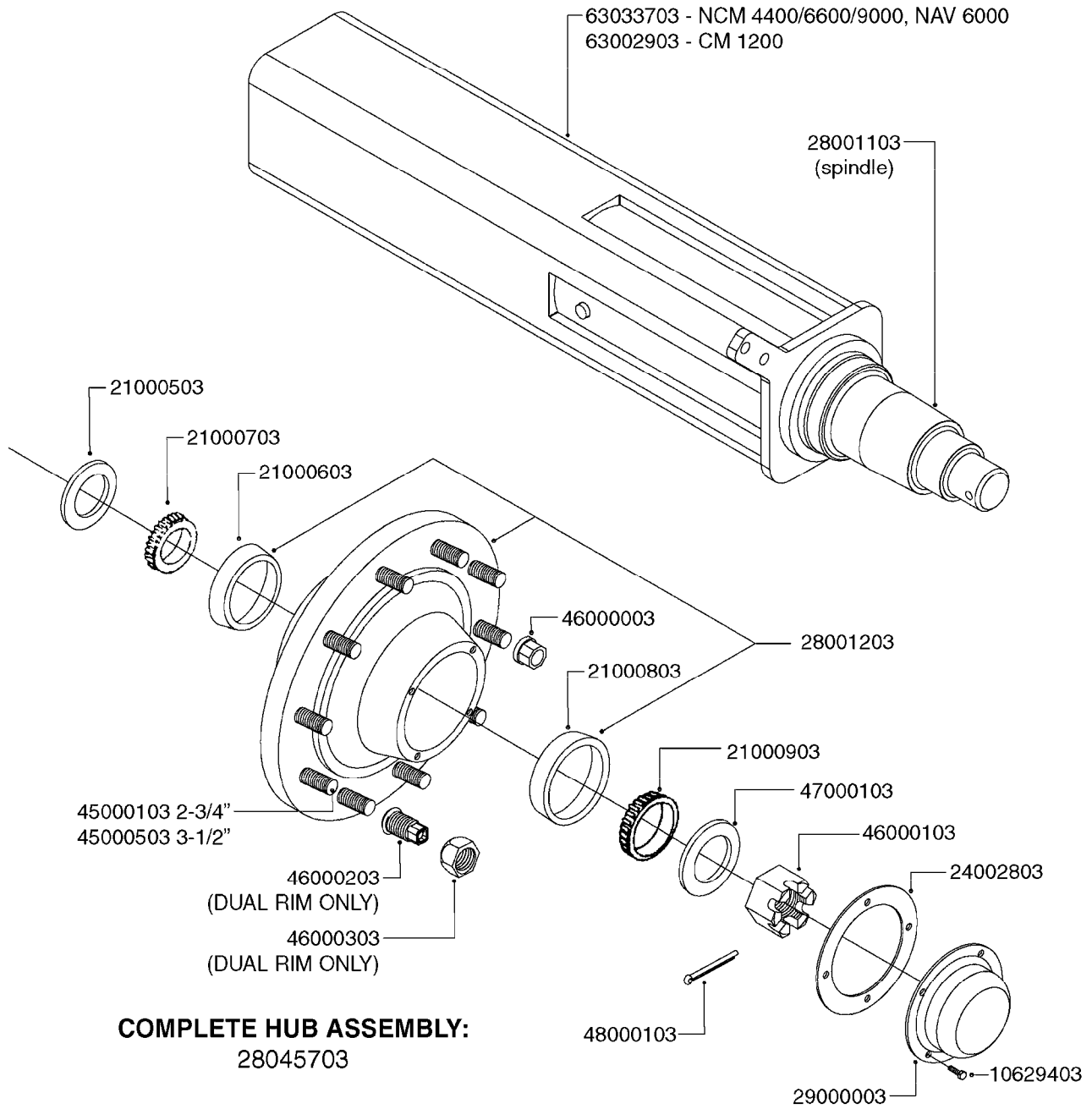
**E445**



CHEMLOCKER  
E445-HIA, 07:02:14

Page 1  
Date 12.08.2020 9:04

| Pos. | parts-n° | order qty | description                       |
|------|----------|-----------|-----------------------------------|
| 1    | 16386200 | 1         | PLATE BRACKET F.CHEMLOCKER        |
| 2    | 35182000 | 1         | CHEM LOCKER TRAY COMII            |
| 3    | 16137100 | 1         | COVER PLATE F.CHEMLOCKER NCM      |
| 4    | 63146700 | 1         | CHEMLOCKER CM11 SORT              |
| 5    | 410362   | 1         | BOLT HEX 8.8 SS M6X20             |
| 6    | 471124   | 1         | WASHER, M6, Ø18/ 6.4X 1.6, SS     |
| 7    | 45001300 | 1         | CARRIAGE BOLT M12X35 DIN603 A2    |
| 8    | 460703   | 1         | NUT HEX M12X1.75 LOCK DIN985A2 SS |
| 9    | 320467   | 1         | FITT.DK BULKHEAD 1"BSP SINGLE     |
| 10   | 332577   | 1         | O-RING D38/D30X4 F.1" PUR.        |
| 11   | 320471   | 1         | FITT.DK NUT 1" BSP JAMB           |
| 12   | 330326   | 1         | O-RING D30/D24X2 F.1"NUT          |
| 13   | 320106   | 1         | FITT.DK CAPNUT 1" BSP             |
| 14   | 440695   | 1         | BOLT CARRIAGE M8X25               |
| 15   | 16143100 | 1         | HOLDER BRACKET                    |
| 16   | 460143   | 1         | LOCK NUT M8 SST A2 DIN985         |



**COMPLETE HUB ASSEMBLY:**  
28045703

COMPLETE ASSEMBLIES  
WHOLEGOODS ITEMS

**E0790**

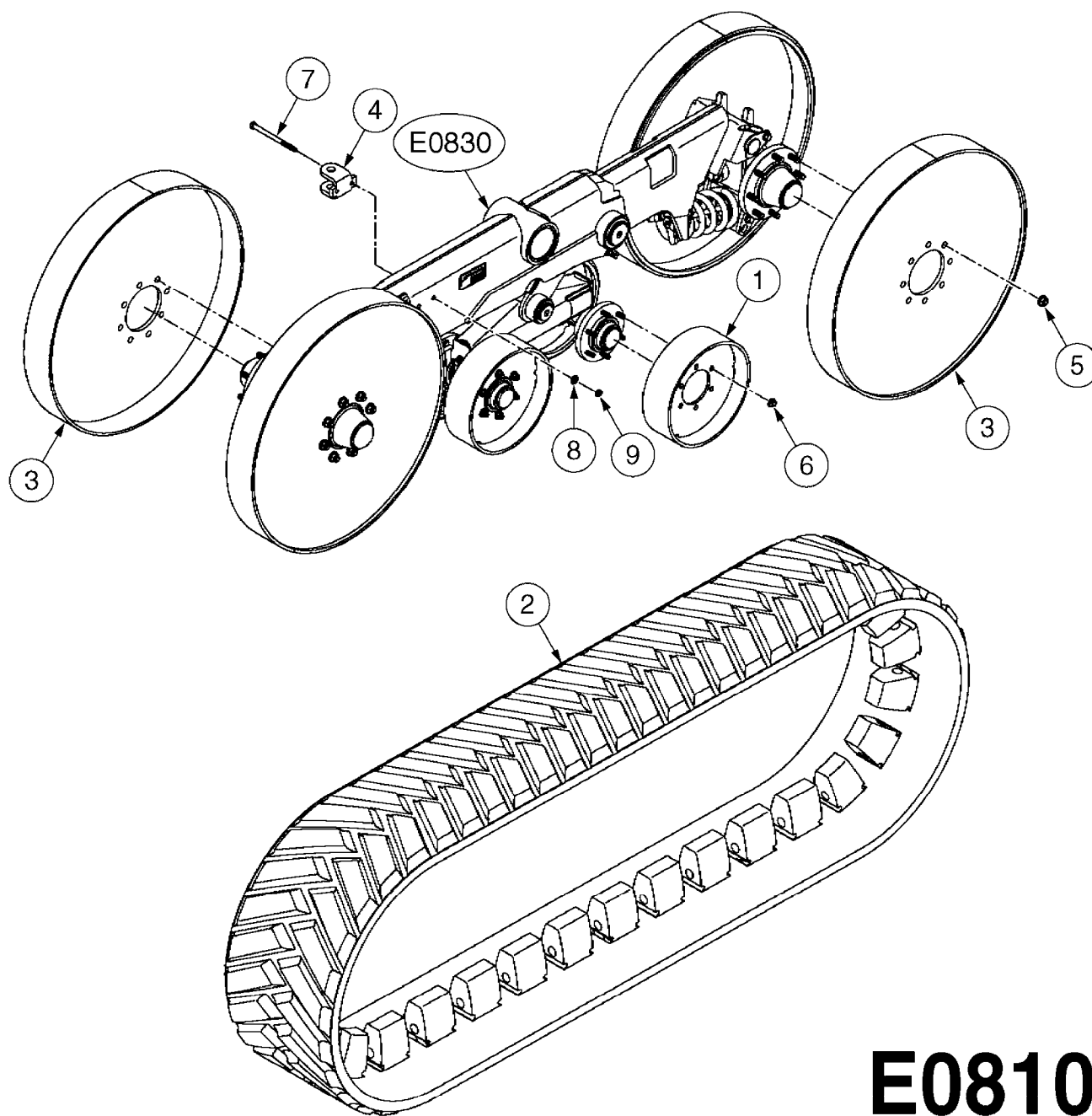


HUB ASSEMBLY F.4-1/2" SPINDLE  
E0790-HIN, 06:07:17

Page 1

Date 12.08.2020 9:04

| parts-n° | order qty | description                    |
|----------|-----------|--------------------------------|
| 10629403 | 1         | BOLT HEX 5/16 NC GR.2 00.50"   |
| 21000503 | 1         | SEAL,WHEEL CR43771             |
| 21000603 | 1         | RACE, BEARING 3.5/1.5          |
| 21000703 | 1         | BEARING, TAPPERED 3.5433/1.575 |
| 21000803 | 1         | RACE, TAPERED BEARING          |
| 21000903 | 1         | BEARING, TAPPERED, 2.75/1.510  |
| 24002803 | 1         | GASKET F. HUB 4.5" HUB ASSY    |
| 28001103 | 1         | SPINDLE 4.5"x 23" 20000LB      |
| 28001203 | 1         | HUB, 20000LB W. BRG RACES      |
| 28045703 | 1         | HUB ASSY 10-13.19-11.02 25000# |
| 29000003 | 1         | HUB CAP F. 881(20000LB) HUB    |
| 45000103 | 1         | BOLT, WHEEL STUD 3/4-16X2 3/4  |
| 45000503 | 1         | BOLT, WHEEL STUD 3/4-16X3 1/2  |
| 46000003 | 1         | NUT HEX NF 3/4" FLANGED F.HUB  |
| 46000103 | 1         | NUT, CASTLE, SPINDLE 2-12 UNF  |
| 46000203 | 1         | NUT, BUD WHEEL, INNER, RH      |
| 46000303 | 1         | NUT, BUD WHEEL, OUTER, RH      |
| 47000103 | 1         | WASHER, SPNDL 4.5" 2.06x4 .25T |
| 48000103 | 1         | PIN, COTTER 5/16" X 5.25"      |
| 63002903 | 1         | AXLE INSERT,72"-90"SUS CM 1200 |
| 63033703 | 1         | AXLE INSERT NCM 44/66/9000     |



**E0810**



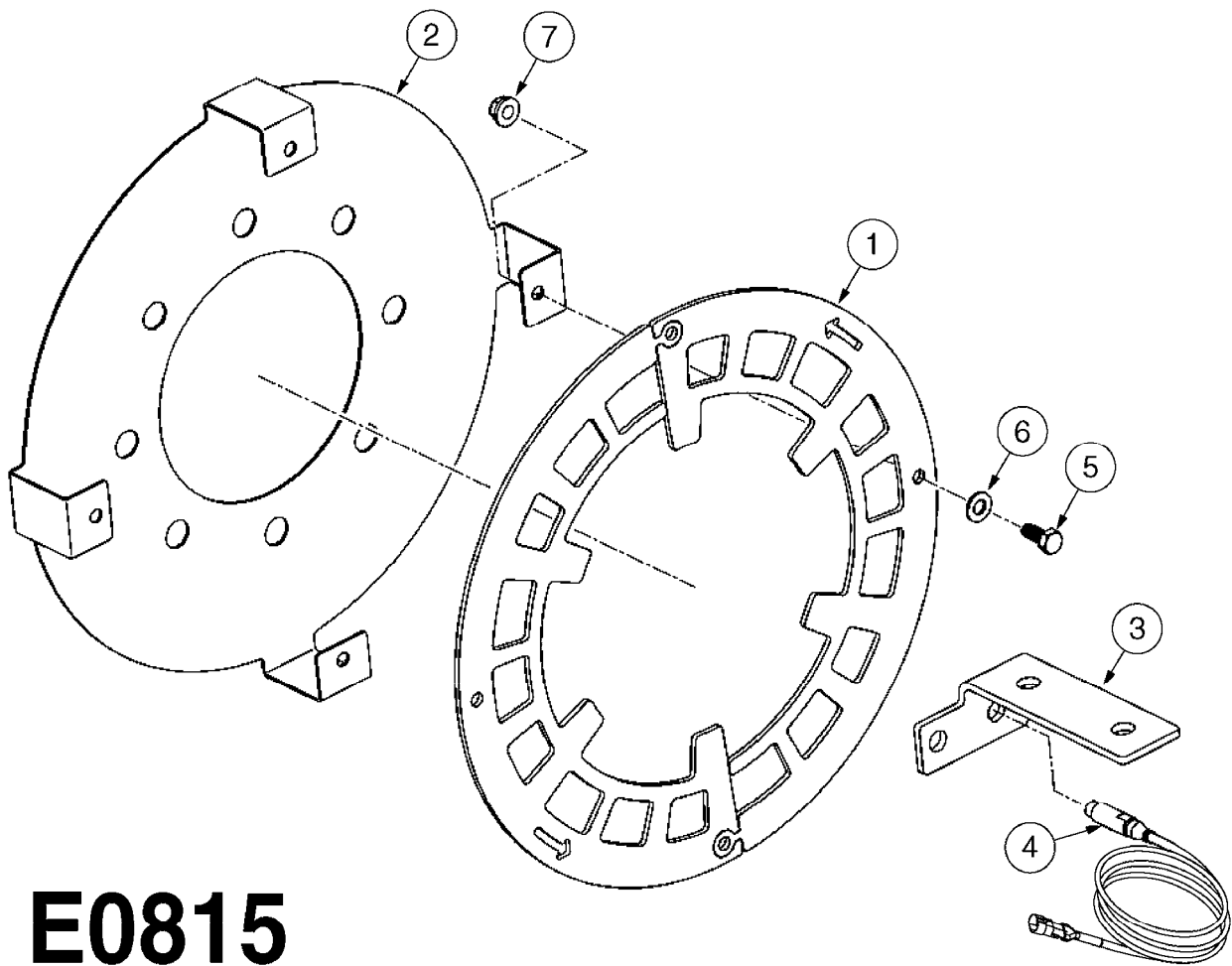
CAMOPLAST TRACK 40 SERIES  
E0810-HIN, 01:01:16

Page 1  
Date 12.08.2020 9:04

| Pos. | parts-n° | order qty | description                   |
|------|----------|-----------|-------------------------------|
| 1    | 28064103 | 1         | WHEEL, MID-ROLLER (1401,1402) |
| 1    | 28064203 | 1         | WHEEL, MID-ROLLER(45-1801)    |
| 2    | 28074703 | 1         | TRACK LH 249" X 14" (40-1402) |
| 2    | 28074803 | 1         | TRACK RH 249" X 14" (40-1402) |
| 2    | 28075103 | 1         | TRACK 249" X 18" (45-1801)    |
| 3    | 28075203 | 1         | WHEEL, IDLER (40-1402)        |
| 3    | 28075303 | 1         | WHEEL, IDLER (45-1801)        |
| 4    | 28075403 | 1         | BRACE BRACKET                 |
| 5    | 28082103 | 1         | LUG NUT SET (8) IDLER         |
| 6    | 28083003 | 1         | LUG NUT SET (6) MID-ROLLER    |
| 7    | 28083203 | 1         | BOLT HEX 7"X1/2"-20 UNF GR 8  |
| 8    | 28083303 | 1         | WASHER 1/2"                   |
| 9    | 28083403 | 1         | LOCK NUT 1/2"-20 UNF          |



CAMOPLAST SPEED SENSOR  
E0815-HIN, 21:08:19



**E0815**

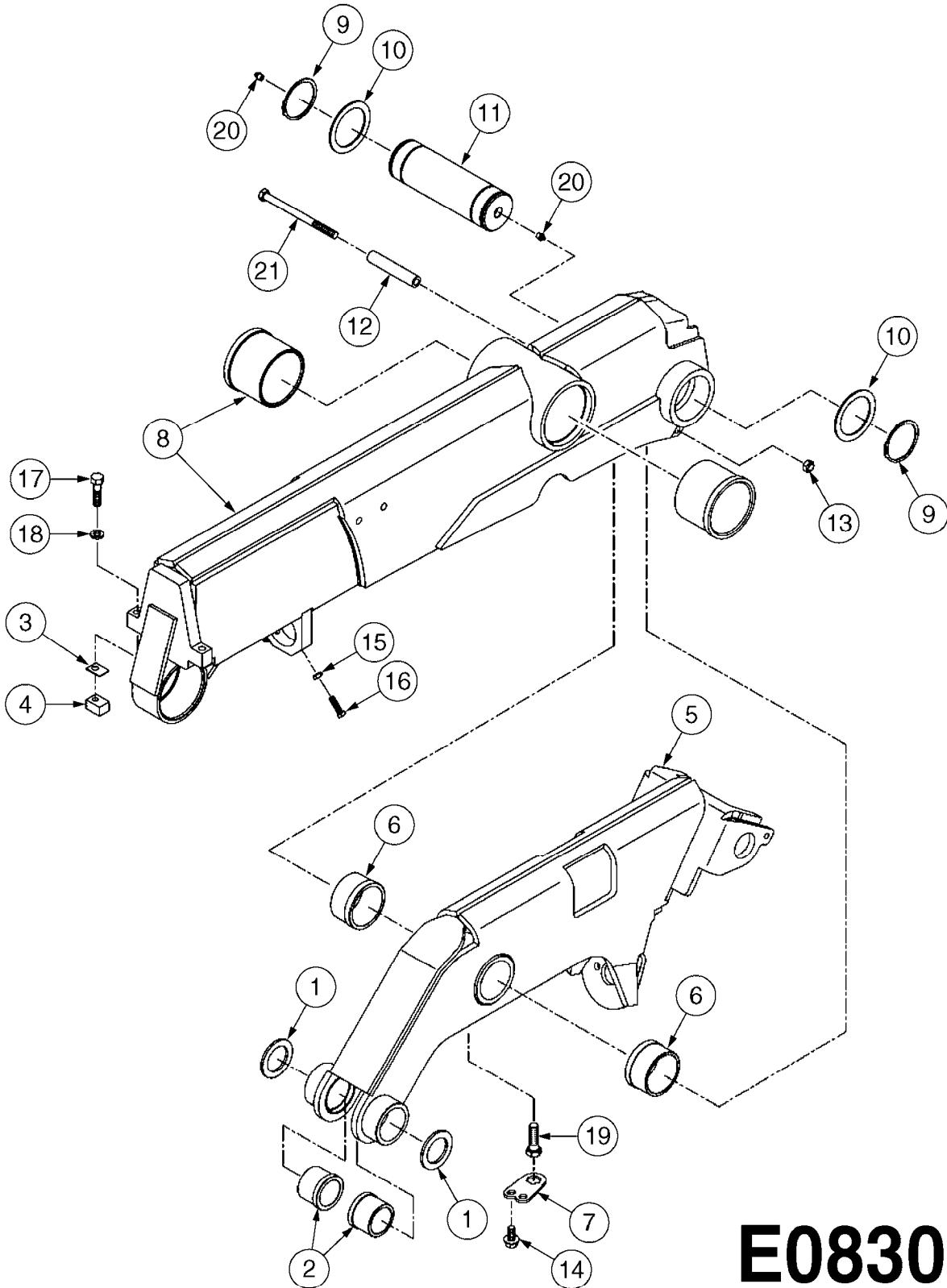


CAMOPLAST SPEED SENSOR  
E0815-HIN, 21:08:19

Page 1  
Date 12.08.2020 9:04

| Pos. | parts-n° | order qty | description                     |
|------|----------|-----------|---------------------------------|
| 1    | 28110603 | 1         | SPEED SENSOR RING, CAMOPLAST    |
| 2    | 28110703 | 1         | SPEED RING MOUNT BKT. CAMOPLAST |
| 3    | 28110803 | 1         | SPEED SENSOR BKT. CAMOPLAST     |
| 4    | 28110903 | 1         | SPEED SENSOR CAMOPLAST          |
| 5    | 28111003 | 1         | BOLT, HEX 5/16" X 3/4"          |
| 6    | 28111103 | 1         | WASHER, FLAT 5/16"              |
| 7    | 28111203 | 1         | NUT, LOCK 5/16" FLANGED         |





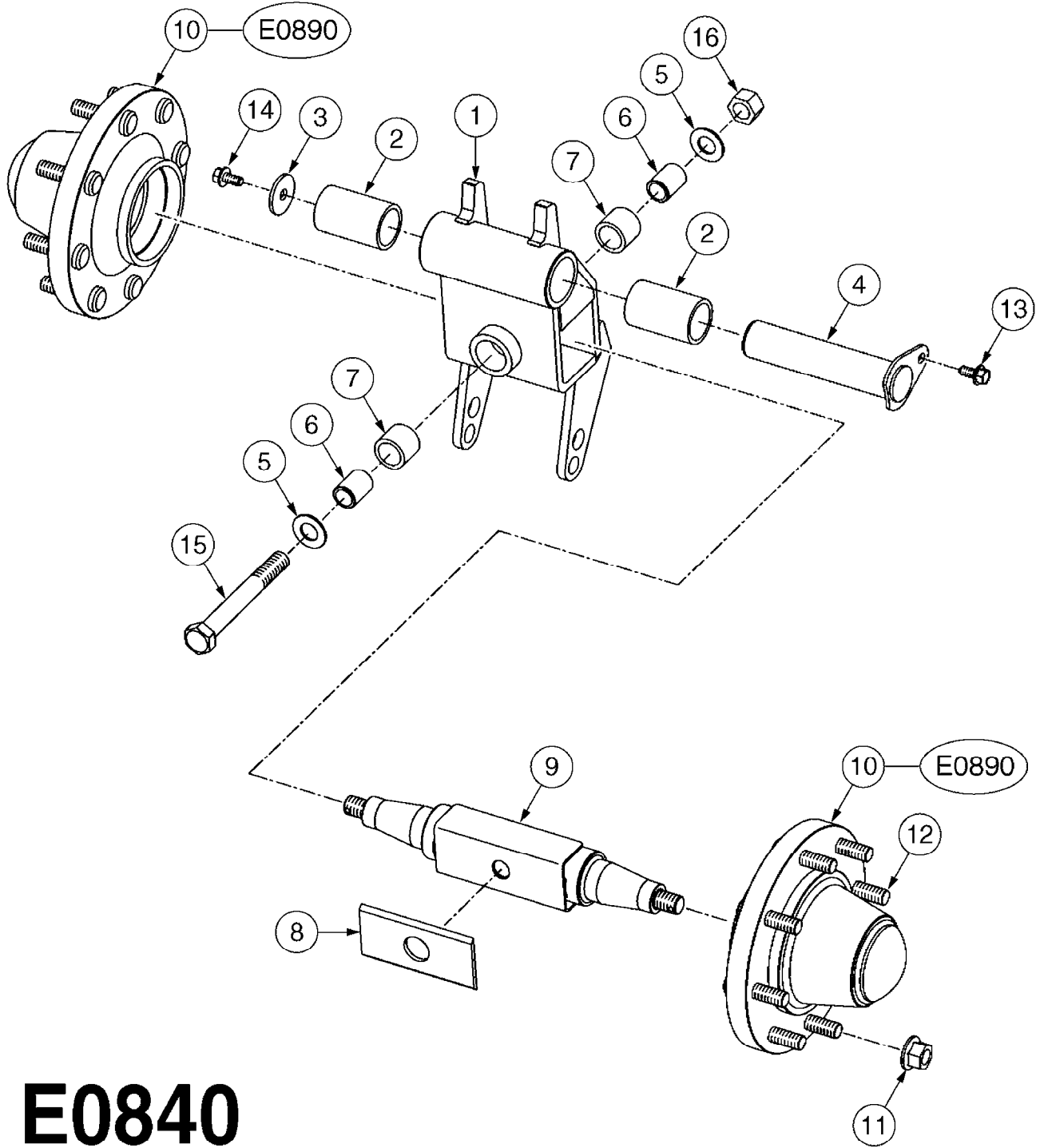
**E0830**



CAMOPLAST FRAME 40 SERIES  
E0830-HIN, 01:01:16

Page 1  
Date 12.08.2020 9:04

| Pos. | parts-n° | order qty | description                    |
|------|----------|-----------|--------------------------------|
| 1    | 28076003 | 1         | WASHER, 3"X2.02"X3/16"         |
| 2    | 28076303 | 1         | BUSHING 2.55"ODX2.012ID"X2"    |
| 3    | 28076403 | 1         | SHIM, TILT STOPPER             |
| 4    | 28076503 | 1         | STOPPER, TILT                  |
| 5    | 28076603 | 1         | TENSION ARM (40 SERIES)        |
| 6    | 28076703 | 1         | BUSHING, TENS. 3.48X3.15X1.98" |
| 7    | 28076803 | 1         | LOCK PLATE                     |
| 8    | 28076903 | 1         | FRAME W/BUSHINGS (40 SERIES)   |
| 9    | 28077003 | 1         | SNAP RING EXT. 3"              |
| 10   | 28077103 | 1         | WASHER                         |
| 11   | 28077203 | 1         | PIN, 3" OD X 9.56"             |
| 12   | 28077303 | 1         | SPACER                         |
| 13   | 28083403 | 1         | LOCK NUT 1/2"-20 UNF           |
| 14   | 28083503 | 1         | BOLT HEX FLG.1"X1/2"-13UNC GR5 |
| 15   | 28083603 | 1         | JAM NUT 3/8"-16 UNC GR 8       |
| 16   | 28083703 | 1         | SET SCREW 1-1/2"X3/8"-16 UNC   |
| 17   | 28083803 | 1         | BOLT HEX 2"X1/2"-13 UNC        |
| 18   | 28083903 | 1         | LOCK WASHER 1/2"               |
| 19   | 28084003 | 1         | BOLT HEX 2" X 5/8"-11          |
| 20   | 28084103 | 1         | GREASE FITTING                 |
| 21   | 28084203 | 1         | BOLT HEX 6-1/2"X1/2"-20UNF GR8 |



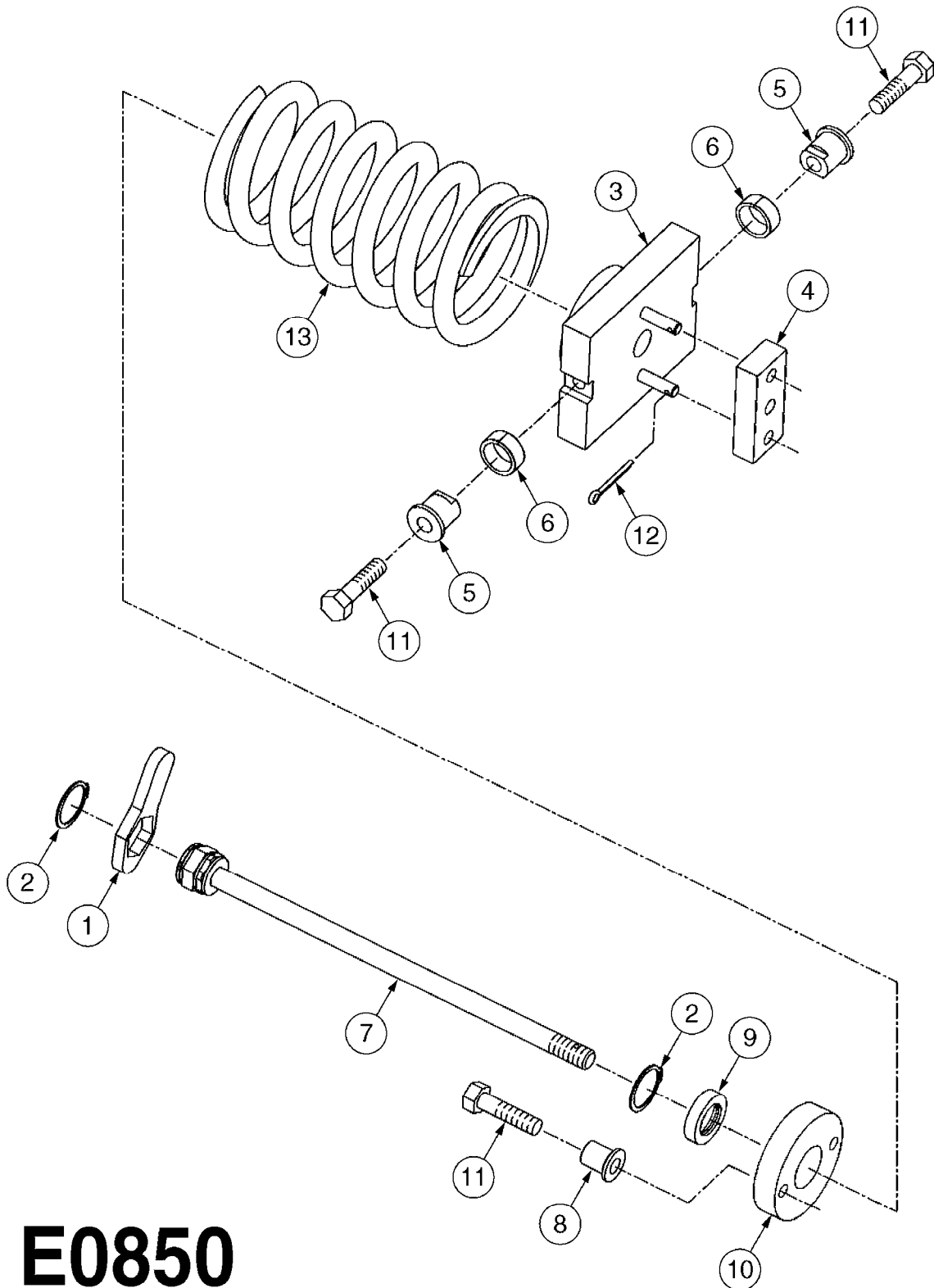
**E0840**



CAMOPLAST TENSION LINK ASSY.  
E0840-HIN, 01:01:16

Page 1  
Date 12.08.2020 9:04

| Pos. | parts-n° | order qty | description                                      |
|------|----------|-----------|--|
| 1    | 28077403 | 1         | TENSION LINK                                     |
| 2    | 28077503 | 1         | BUSHING 2.5"ODX0.25"WX3.94"                      |
| 3    | 28077603 | 1         | RETAINER PLATE                                   |
| 4    | 28077703 | 1         | PIN  |
| 5    | 28077803 | 1         | WASHER 1.062"ID X 2"OD                           |
| 6    | 28077903 | 1         | BUSHING 1.375" X 1.88" LG                        |
| 7    | 28078003 | 1         | BUSHING 1.875"ODX0.25"WTX1.55"                   |
| 8    | 28078103 | 1         | WEAR PAD   |
| 9    | 28078203 | 1         | AXLE   |
| 10   | 28078303 | 1         | HUB ASSY.IDLER, G60-8<br>HUB COMPLETE W/LUG NUTS |
| 11   | 28082103 | 1         | LUG NUT SET (8) IDLER                            |
| 12   | 28082203 | 1         | WHEEL STUD SET (8) IDLER                         |
| 13   | 28083503 | 1         | BOLT HEX FLG.1"X1/2"-13UNC GR5                   |
| 14   | 28084303 | 1         | BOLT HEX FLG.1"X5/8"-11UNC GR8                   |
| 15   | 28084403 | 1         | BOLT HEX 8"X1"-8 UNC                             |
| 16   | 28084503 | 1         | NUT 1"-8 UNC GR 8                                |



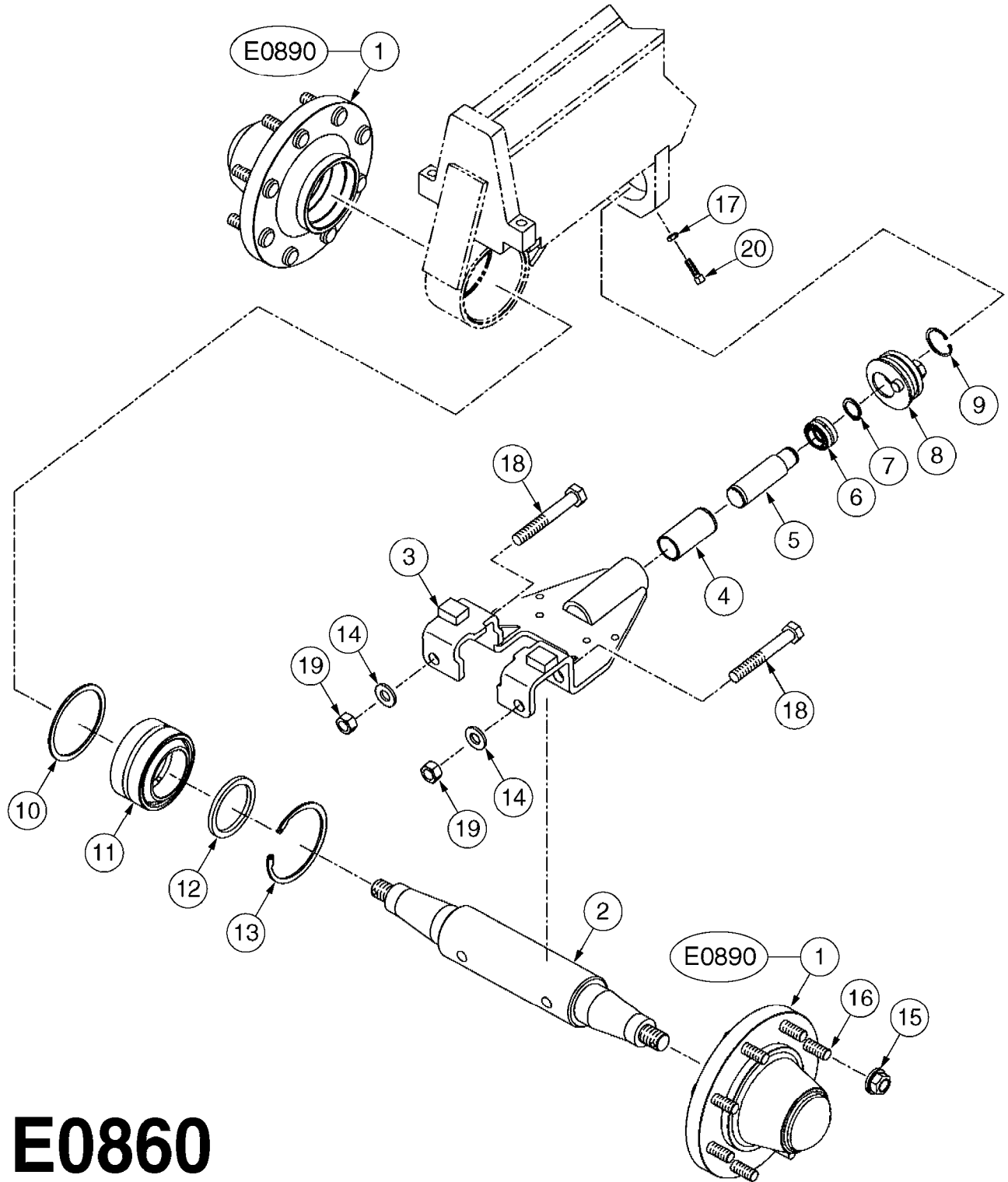


CAMOPLAST TENSIONER ASSEMBLY  
E0850-HIN, 01:01:16

Page 1

Date 12.08.2020 9:04

| Pos. | parts-n° | order qty | description                                   |
|------|----------|-----------|---|
| 1    | 28074003 | 1         | LOCK PLATE                                    |
| 2    | 28074103 | 1         | SNAP RING                                     |
| 3    | 28078403 | 1         | SPRING MOUNT                                  |
| 4    | 28078503 | 1         | RETAINER PLATE                                |
| 5    | 28078603 | 1         | SLEEVE W/NOTCH                                |
| 6    | 28078703 | 1         | BUSHING 1/2"X1-1/4"ODX1"ID                    |
| 7    | 28078803 | 1         | ACME SCREW                                    |
| 8    | 28078903 | 1         | SLEEVE, EXTEN.1"X1/2"IDX1.04"OD               |
| 9    | 28079003 | 1         | SEAT, WASHER                                  |
| 10   | 28079103 | 1         | SPRING PILOT                                  |
| 11   | 28083803 | 1         | BOLT HEX 2"X1/2"-13 UNC                       |
| 12   | 28084603 | 1         | COTTER PIN 1-1/4" X 5/32"                     |
| 13   | 28085103 | 1         | SPRING<br>SPRING FOR 30 SERIES                |
| 13   | 28085203 | 1         | SPRING 9" X 5" X 3/4"<br>SPRING FOR 40 SERIES |



**E0860**

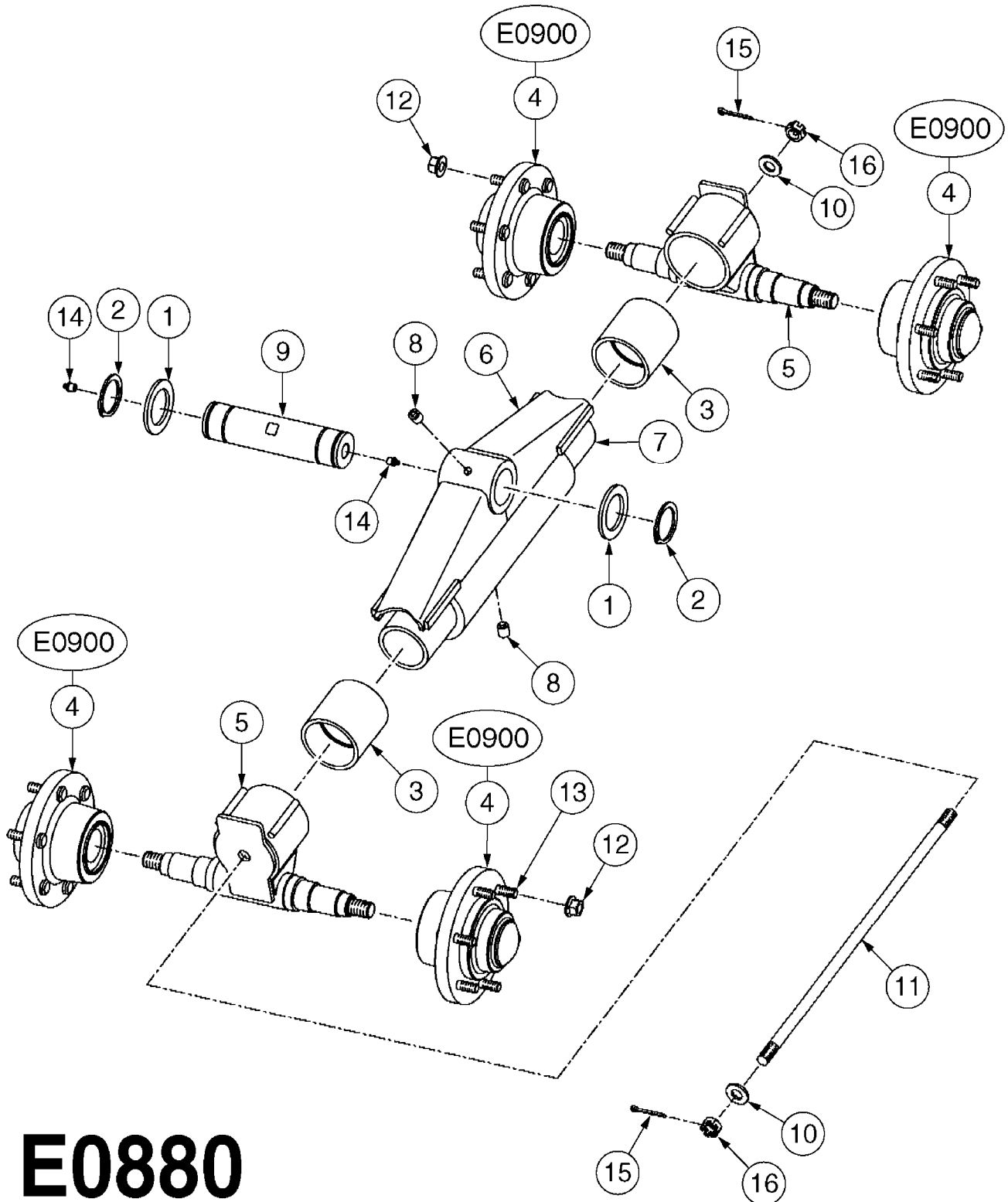


CAMOPLAST ALIGNMENT ASSEMBLY  
E0860-HIN, 01:01:16

Page 1  
Date 12.08.2020 9:04

| Pos. | parts-n° | order qty | description                    |
|------|----------|-----------|--------------------------------|
| 1    | 28078303 | 1         | HUB ASSY.IDLER, G60-8          |
|      |          |           | HUB COMPLETE W/LUG NUTS        |
| 2    | 28079203 | 1         | AXLE, FRONT IDLER              |
| 3    | 28079303 | 1         | ALIGNMENT FRAME                |
| 4    | 28079403 | 1         | ALIGNMENT BUSHING              |
| 5    | 28079503 | 1         | ALIGNMENT PIN                  |
| 6    | 28079603 | 1         | BEARING 1"IDX1.625"ODX0.875"   |
| 7    | 28079703 | 1         | SNAP RING EXT. 1"              |
| 8    | 28079803 | 1         | DISC, ECCENTRIC                |
| 9    | 28079903 | 1         | SNAP RING, INT. 1-3/4"         |
| 10   | 28080003 | 1         | SHIM, 12 GAUGE                 |
| 11   | 28080103 | 1         | BEARING 3"IDX4.75"ODX2.625"    |
| 12   | 28080203 | 1         | WASHER, 1/4"                   |
| 13   | 28080303 | 1         | SNAP RING                      |
| 14   | 28081203 | 1         | WASHER21/32"IDX1-5/16"ODX0.146 |
| 15   | 28082103 | 1         | LUG NUT SET (8) IDLER          |
| 16   | 28082203 | 1         | WHEEL STUD SET (8) IDLER       |
| 17   | 28083603 | 1         | JAM NUT 3/8"-16 UNC GR 8       |
| 18   | 28084703 | 1         | BOLT 4-1/2" X 5/8"-11 UNC      |
| 19   | 28084803 | 1         | NUT 5/8"-11 UNC GR 8           |
| 20   | 28084903 | 1         | SET SCREW SQ.HD.1-1/2"X3/8"-16 |





**E0880**

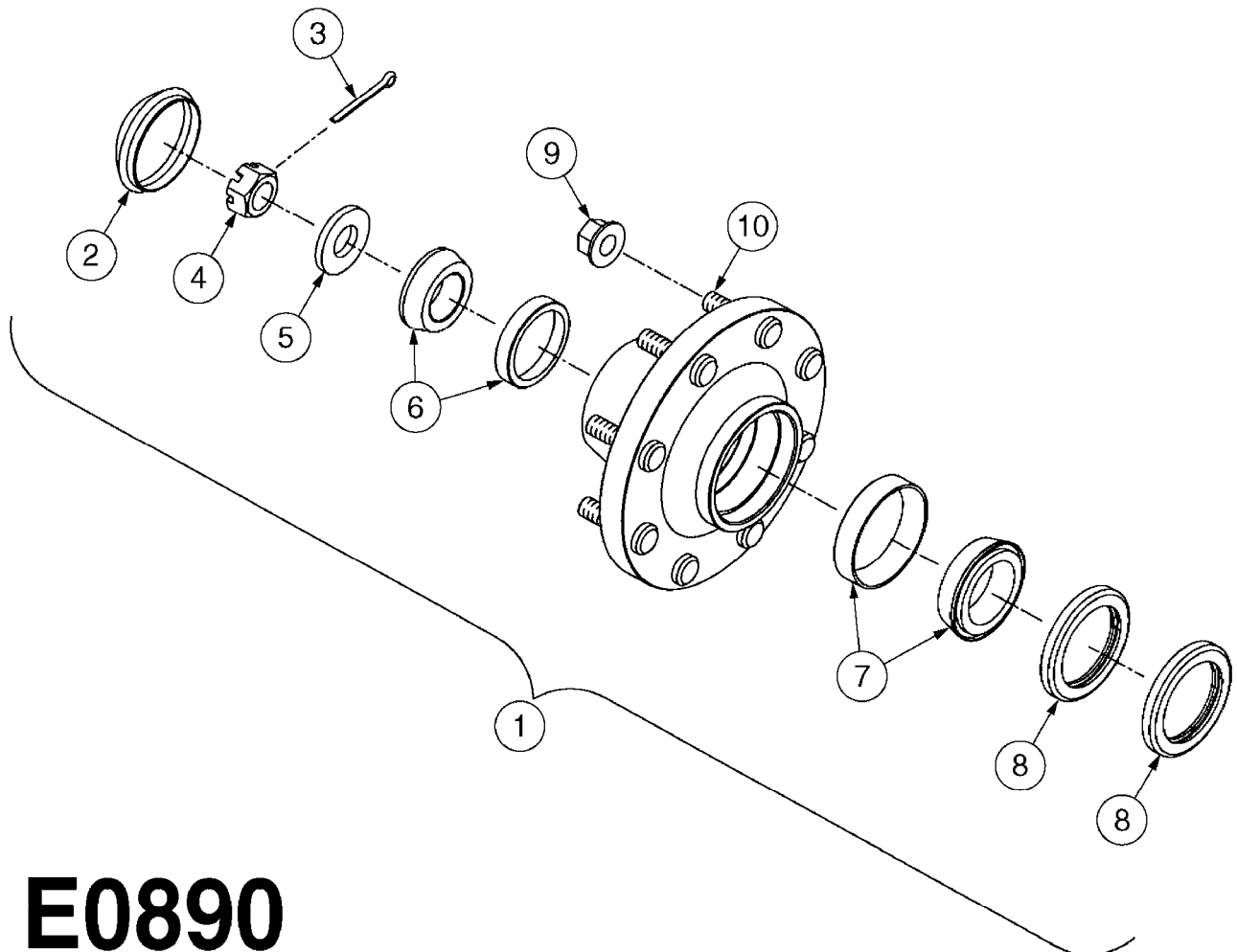


CAMOPLAST BOGIE MID-ROLLER 40  
E0880-HIN, 01:01:16

Page 1

Date 12.08.2020 9:04

| Pos. | parts-n° | order qty | description                                    |
|------|----------|-----------|--|
| 1    | 28076003 | 1         | WASHER, 3"X2.02"X3/16"                         |
| 2    | 28076103 | 1         | SNAP RING EXT. 2"                              |
| 3    | 28080503 | 1         | BUSHING  |
| 4    | 28080603 | 1         | HUB ASSY.MID-ROLLER<br>HUB COMPLETE W/LUG NUTS |
| 5    | 28080703 | 1         | MID-ROLLER DOGHOUSE(40 SERIES)                 |
| 6    | 28080803 | 1         | HOUSING, BOGIE                                 |
| 7    | 28080903 | 1         | AXLE, MID-ROLLER                               |
| 8    | 28081003 | 1         | SET SCREW, 3/4"X1/2"-13 UNC                    |
| 9    | 28081103 | 1         | PIN, BOGIE                                     |
| 10   | 28081203 | 1         | WASHER21/32"IDX1-5/16"ODX0.146                 |
| 11   | 28081303 | 1         | RETAINER ROD                                   |
| 12   | 28083003 | 1         | LUG NUT SET (6) MID-ROLLER                     |
| 13   | 28083103 | 1         | WHEEL STUD SET (6) MID-ROLLER                  |
| 14   | 28084103 | 1         | GREASE FITTING                                 |
| 15   | 28084603 | 1         | COTTER PIN 1-1/4" X 5/32"                      |
| 16   | 28085003 | 1         | CASTLE NUT 5/8"-11 UNC GR 5                    |



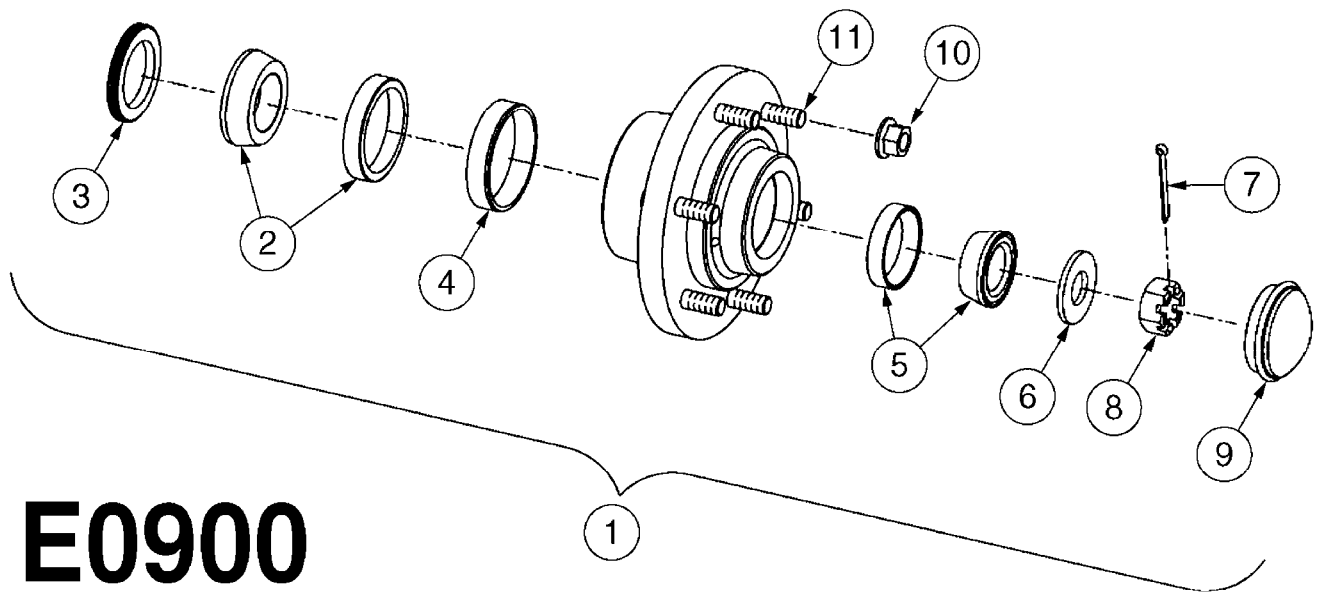
**E0890**



CAMOPLAST HUB ASSEMBLY - IDLER  
E0890-HIN, 01:01:16

Page 1  
Date 12.08.2020 9:04

| Pos. | parts-n° | order qty | description                 |
|------|----------|-----------|-----------------------------|
| 1    | 28078303 | 1         | HUB ASSY.IDLER, G60-8       |
| 2    | 28081403 | 1         | DUST CAP                    |
| 3    | 28081503 | 1         | COTTER PIN 7/32" X 2-1/4"   |
| 4    | 28081603 | 1         | CASTLE NUT 1-1/4"-12        |
| 5    | 28081703 | 1         | WASHER 1.28"IDX2.5"ODX0.13" |
| 6    | 28081803 | 1         | BEARING ASSEMBLY - OUTER    |
| 7    | 28081903 | 1         | BEARING ASSEMBLY - INNER    |
| 8    | 28082003 | 1         | WHEEL SEAL, SINGLE LIP      |
| 9    | 28082103 | 1         | LUG NUT SET (8) IDLER       |
| 10   | 28082203 | 1         | WHEEL STUD SET (8) IDLER    |



**E0900**

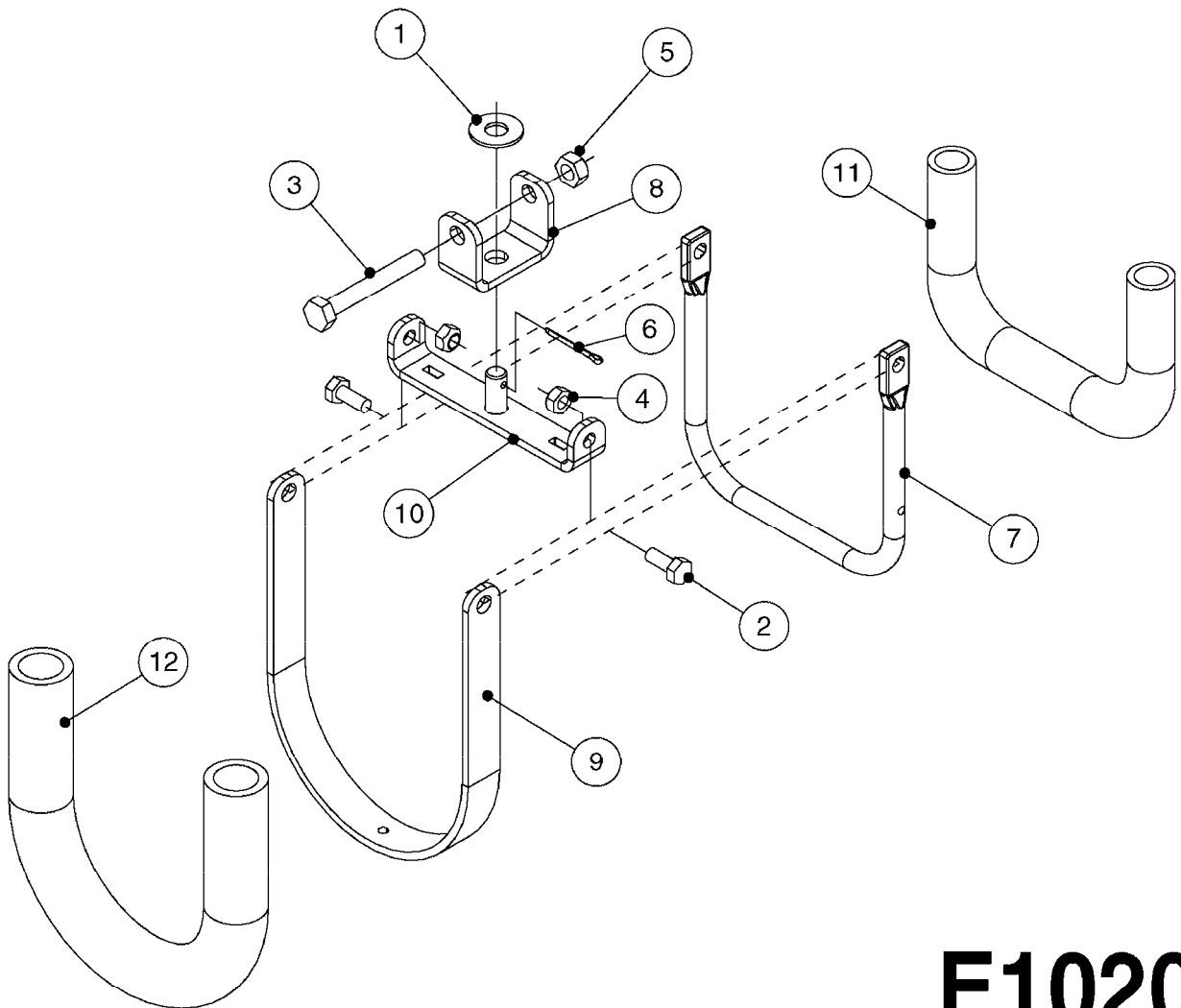


CAMOPLAST HUB ASSY. MID-ROLLER  
E0900-HIN, 01:01:16

Page 1

Date 12.08.2020 9:04

| Pos. | parts-n° | order qty | description                   |
|------|----------|-----------|-------------------------------|
| 1    | 28080603 | 1         | HUB ASSY.MID-ROLLER           |
| 2    | 28081803 | 1         | BEARING ASSEMBLY - OUTER      |
| 3    | 28082303 | 1         | WHEEL SEAL, TRIPLE LIP        |
| 4    | 28082403 | 1         | WEAR RING                     |
| 5    | 28082503 | 1         | BEARING ASSEMBLY, 783 OUTER   |
| 6    | 28082603 | 1         | WASHER 0.94"IDX2"ODX0.16"     |
| 7    | 28082703 | 1         | COTTER PIN 1-3/4" X 5/32"     |
| 8    | 28082803 | 1         | CASTLE NUT 7/8"-14 UNF        |
| 9    | 28082903 | 1         | DUST CAP 2-3/4"OD X 2-7/16"   |
| 10   | 28083003 | 1         | LUG NUT SET (6) MID-ROLLER    |
| 11   | 28083103 | 1         | WHEEL STUD SET (6) MID-ROLLER |



**E1020**



SWIVEL HOSE GUARD  
E1020-HIN, 17:11:16

Page 1  
Date 12.08.2020 9:04

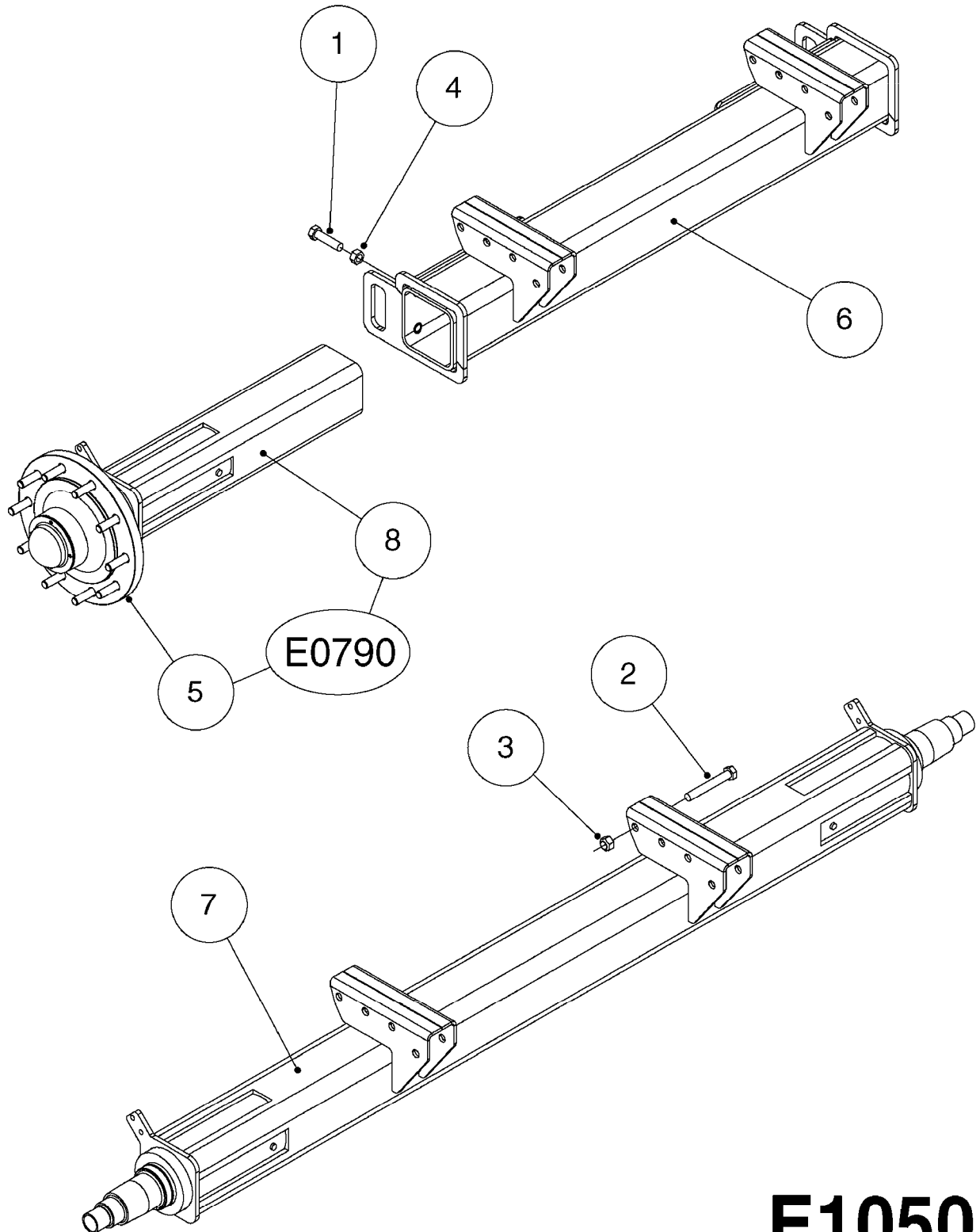
| Pos. | parts-n° | order qty | description                       |
|------|----------|-----------|-----------------------------------|
| 1    | 165557   | 1         | WASHER D28.0/D12.2X2.0 SS         |
| 2    | 421046   | 1         | BOLT HEX M8X25/25 A2 SS DIN933    |
| 3    | 421222   | 1         | BOLT HEX 8.8 DEL M10X75 FT        |
| 4    | 460143   | 1         | LOCK NUT M8 SST A2 DIN985         |
| 5    | 460423   | 1         | NUT HEX M10X1.50 LOCK DIN985A2 SS |
| 6    | 480126   | 1         | PIN COTTER M4X30                  |
| 7    | 15118200 | 1         | HOSE & TUBE HOLDER NCM            |
| 8    | 16143600 | 1         | HOSE AND CABLE HOLDER TOP         |
| 9    | 16160900 | 1         | HOSE AND CABLE GUARD 160X502MM    |
| 9    | 16187700 | 1         | HOSE AND CABLE GUARD 160X402MM    |
| 10   | 61042200 | 1         | HOSE AND CABLE HOLDER PIVOT       |
| 11   | 92703203 | 1         | HOSE R X3/4" X300PSI WP X0012"    |
| 12   | 92712403 | 1         | HOSE R X1" X300PSI WP X0012"      |





COMMANDER 4400-7000  
NON-SUSPEND.AXLE  
E1050-HIN, 01:01:16

|      |                 |
|------|-----------------|
| Page | 0               |
| Date | 12.08.2020 9:04 |



**E1050**



Agroparts: [www.HARDI-INTERNATIONAL.com](http://www.HARDI-INTERNATIONAL.com)

COMMANDER 4400-7000  
NON-SUSPEND.AXLE  
E1050-HIN, 01:01:16

Page 1

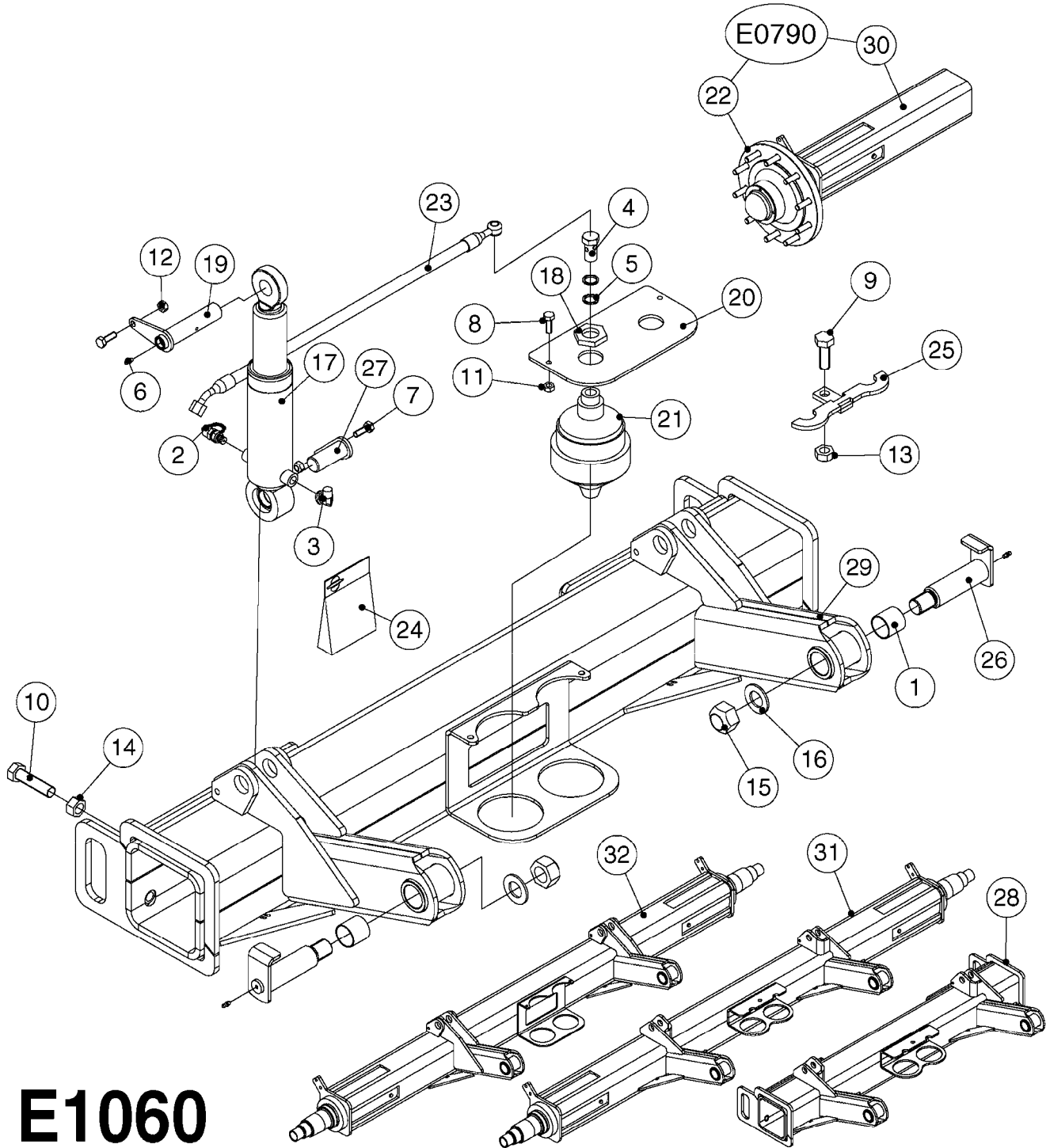
Date 12.08.2020 9:04

| Pos. | parts-n° | order qty | description                       |
|------|----------|-----------|-----------------------------------|
| 1    | 430920   | 1         | BOLT HEX M20x80MM                 |
| 2    | 430979   | 1         | BOLT HEX M20x140 8.8 DELTA        |
| 3    | 460806   | 1         | NUT HEX M20X2.50 LOCK DIN985A2 SS |
| 4    | 461228   | 1         | NUT HEX M20                       |
| 5    | 28045703 | 1         | HUB ASSY 10-13.19-11.02 25000#    |
| 6    | 63024303 | 1         | AXLE W/M NON SUSP. ADJ. CM"05"    |
| 7    | 63033603 | 1         | AXLE NON-SUSPENDEED NCM 44 120"   |
| 8    | 63033703 | 1         | AXLE INSERT NCM 44/66/9000        |



COMMANDER 4400-7000 SUSPENDED  
AXLE  
E1060-HIN, 02:04:19

Page 0  
Date 12.08.2020 9:04



**E1060**



COMMANDER 4400-7000 SUSPENDED  
AXLE  
E1060-HIN, 02:04:19

Page 1  
Date 12.08.2020 9:04

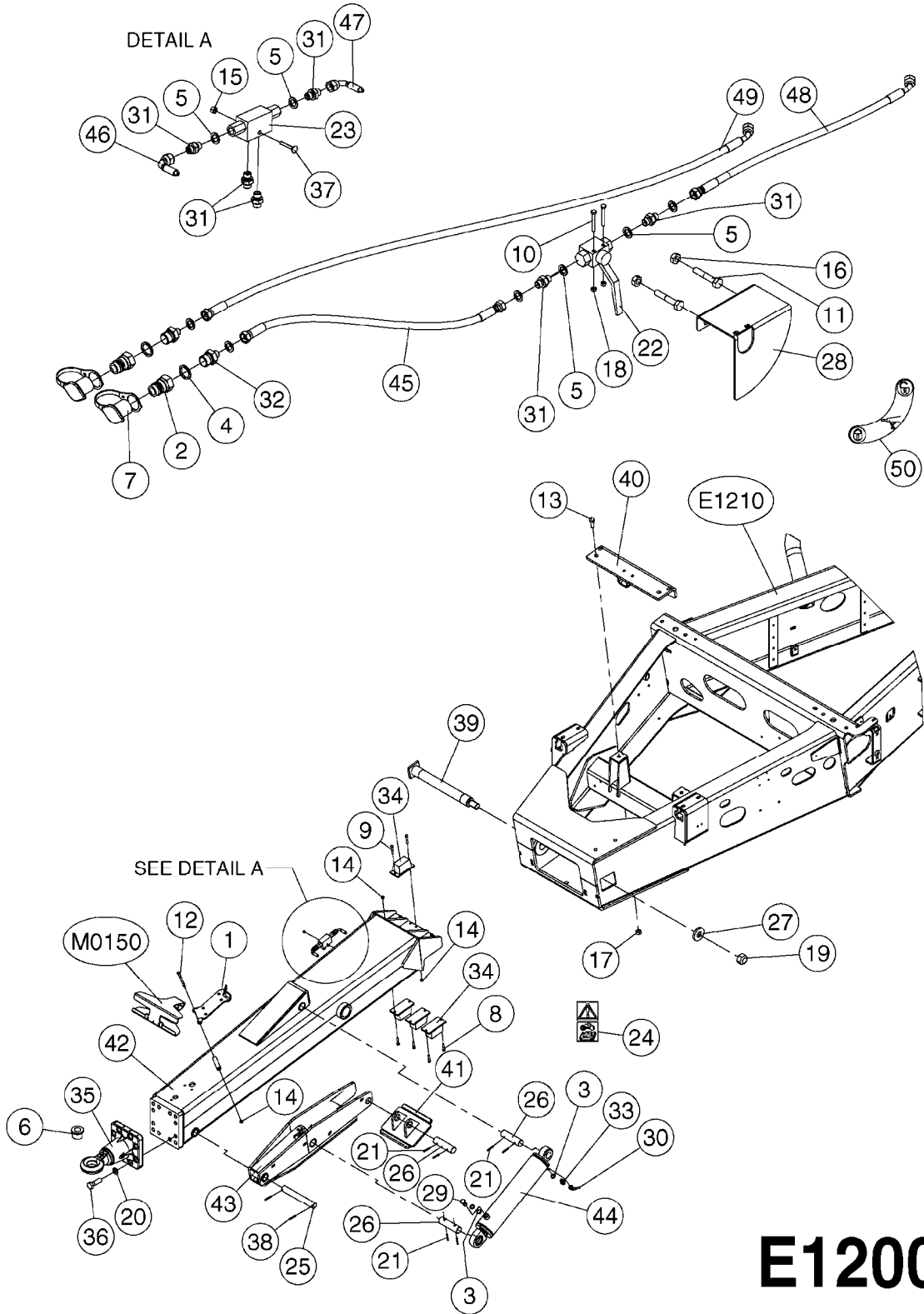
| Pos. | parts-n° | order qty | description   |
|------|----------|-----------|---|
| 1    | 210863   | 1         | BUSHING DU FLNG. D40/44 L=26<br>4400 & 4500             |
| 1    | 210865   | 1         | BUSHING 40mm40mm DU<br>5500, 6600 & 7000                |
| 2    | 231955   | 1         | NIPPLE F. PRESS GAUGE 1/4" BSP                          |
| 3    | 232278   | 1         | NIPPLE 3/8"/90° W. UNION NUT<br>4400 & 4500 BSP         |
| 3    | 232293   | 1         | ELBOW 90° 1/2"x1/2"<br>5500, 6600 & 7000 BSP            |
| 3    | 23232500 | 1         | HYD.FIT. M-M 90° 3/8"-11/16"<br>4400 & 4500 ORFS        |
| 3    | 23242100 | 1         | HYD.FIT. M-M 90° 1/2"-13/16"<br>5500, 6600 & 7000 ORFS  |
| 4    | 232291   | 1         | BANJO BOLT 1/2" BSP                                     |
| 5    | 241356   | 1         | DOWTYSEAL 1/2"  |
| 6    | 283699   | 1         | GREASE NIPPLE M6X1                                      |
| 7    | 421002   | 1         | BOLT HEX 8.8 DEL M10X30 FT DIN933<br>4400 & 4500        |
| 7    | 421105   | 1         | M10X45 MACHINE SCREW STAINLESS<br>5500, 6600 & 7000     |
| 8    | 421046   | 1         | BOLT HEX M8X25/25 A2 SS DIN933<br>5500, 6600 & 7000     |
| 9    | 430581   | 1         | BOLT HEX 8.8 DEL M16X40 FT<br>4400 & 4500               |
| 10   | 430920   | 1         | BOLT HEX M20x80MM                                       |
| 11   | 460143   | 1         | LOCK NUT M8 SST A2 DIN985<br>5500, 6600 & 7000          |
| 12   | 460423   | 1         | NUT HEX M10X1.50 LOCK DIN985A2 SS                       |
| 13   | 460585   | 1         | LOCKING NUT M16 DIN985 A2 SS<br>4400 & 4500             |
| 14   | 461228   | 1         | NUT HEX M20   |
| 15   | 461316   | 1         | NUT HEX LOCK M30X3.5 DIN 985                            |
| 16   | 471131   | 1         | WASHER, M30, Ø56/31.0X 4.0, SS                          |
| 17   | 781136   | 1         | HYDRAULIC SHOCK NCM4400 SUSP.<br>4400 & 4500            |
| 17   | 781137   | 1         | HYDRAULIC SHOCK NCM6600 SUSP.<br>5500, 6600 & 7000      |
| 18   | 14022800 | 1         | NUT M33-1.5/NV=55/L=8                                   |
| 19   | 14044000 | 1         | PIN Ø35 L=165 DELTA<br>5500, 6600 & 7000                |
| 19   | 61030800 | 1         | PIN Ø30/L=127<br>4400 & 4500                            |
| 20   | 16155600 | 1         | ACCUMULATOR MT. PLATE 6600<br>5500, 6600 & 7000         |
| 21   | 28023900 | 1         | ACCUMULATOR 0.75L/70 BAR CM"05<br>4400 & 4500           |
| 21   | 28059400 | 1         | ACCUMULATOR NCM6600 SUSPENSION<br>5500, 6600 & 7000     |
| 22   | 28045703 | 1         | HUB ASSY 10-13.19-11.02 25000#                          |
| 23   | 28051600 | 1         | HYD. HOSE 3/8" L=745 OML45°/BA<br>4400 & 4500 BSP       |
| 23   | 28060300 | 1         | HYD. HOSE 1/2" L=710 OML45°/BA<br>5500, 6600 & 7000 BSP |
| 23   | 78561500 | 1         | HY.HO.3/8"L= 745<br>45°-1/2BAN<br>4400 & 4500 ORFS      |
| 23   | 78570700 | 1         | HY.HO.1/2"L= 795<br>BAN-45°<br>5500, 6600 & 7000 ORFS   |
| 24   | 28064100 | 1         | GASKET SET FOR CYL. 781136<br>4400 & 4500               |



COMMANDER 4400-7000 SUSPENDED  
AXLE  
E1060-HIN, 02:04:19

Page 2  
Date 12.08.2020 9:04

| Pos. | parts-n° | order qty | description   |
|------|----------|-----------|---|
| 24   | 28064200 | 1         | GASKET SET FOR CYL. 781137<br>5500, 6600 & 7000     |
| 25   | 61011703 | 1         | ACCUMULATOR MT. BKT. NCM 4400<br>4400 & 4500        |
| 26   | 61030600 | 1         | PIN THREADED Ø40/L=124 M30-3.0<br>4400 & 4500       |
| 26   | 61037700 | 1         | PIN THREADED Ø40/L=181 M30-3.5<br>5500, 6600 & 7000 |
| 27   | 61031100 | 1         | PIN Ø30/L=81<br>4400 & 4500                         |
| 27   | 61037600 | 1         | PIN Ø34.8/L=94<br>5500, 6600 & 7000                 |
| 28   | 63024203 | 1         | AXLE W/M SUSP. ADJ. CM"05"<br>4400 & 4500           |
| 29   | 63027003 | 1         | AXLE W/M SUSP. ADJ. NCM6600<br>5500, 6600 & 7000    |
| 30   | 63033703 | 1         | AXLE INSERT NCM 44/66/9000                          |
| 31   | 63033803 | 1         | AXLE SUSPENDED NCM 44 120"                          |
| 32   | 63033903 | 1         | AXLE SUSPENDED NCM 66 120"                          |

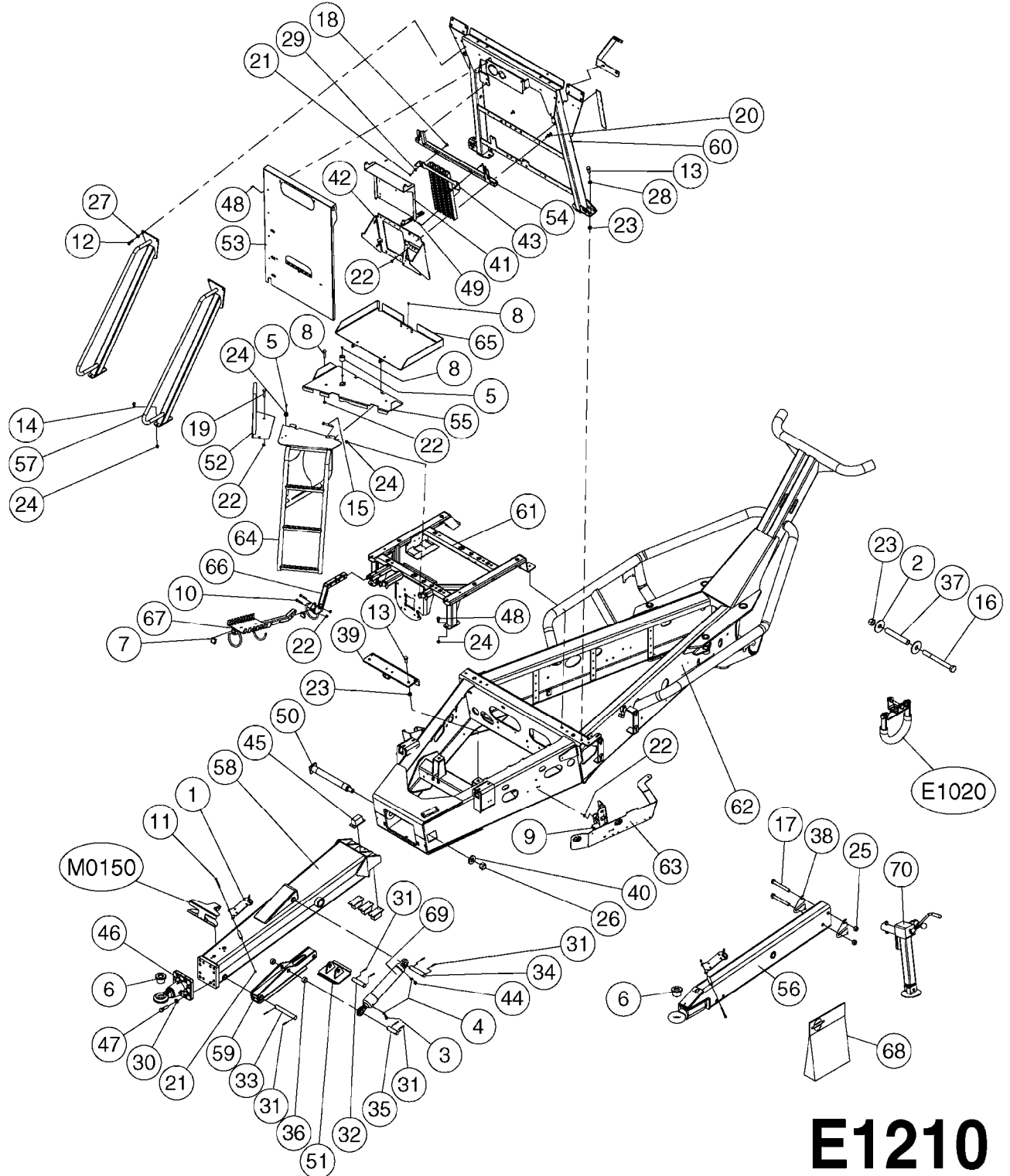




HYD. DRAWBAR CM5500/7000  
E1200-HIN, 07:02:19

Page 1  
Date 12.08.2020 9:04

| Pos. | parts-n° | order qty | description                         |
|------|----------|-----------|-------------------------------------|
| 1    | 161923   | 1         | SUPPORT PLATE F. PTO CM+            |
| 2    | 230311   | 1         | QUICK COUPLING 1/2"                 |
| 3    | 240866   | 1         | DOWTYSEAL 3/8"                      |
| 4    | 241356   | 1         | DOWTYSEAL 1/2"                      |
| 5    | 241404   | 1         | DOWTY SEAL 1/4"                     |
| 6    | 270608   | 1         | BUSHING F. DRAWBAR NCM Ø50/Ø33      |
| 7    | 334206   | 1         | DUST HOOD FOR HY-COUPLING           |
| 8    | 420641   | 1         | BOLT HM 8X35/22 A2 SS DIN931        |
| 9    | 420781   | 1         | BOLT HEX 8.8 DEL M8X50              |
| 10   | 421142   | 1         | BOLT HEX 8.8 DEL M5X40              |
| 11   | 421224   | 1         | BOLT HEX 8.8 DEL M10X55             |
| 12   | 421232   | 1         | BOLT HEX 8.8 DEL M8X110             |
| 13   | 430581   | 1         | BOLT HEX 8.8 DEL M16X40 FT          |
| 14   | 460143   | 1         | LOCK NUT M8 SST A2 DIN985           |
| 15   | 460261   | 1         | NUT HEX M6X1.00 LOCK DIN985 A2 SS   |
| 16   | 460423   | 1         | NUT HEX M10X1.50 LOCK DIN985A2 SS   |
| 17   | 460585   | 1         | LOCKING NUT M16 DIN985 A2 SS        |
| 18   | 461217   | 1         | NUT HEX M5 LOCK                     |
| 19   | 461316   | 1         | NUT HEX LOCK M30X3.5 DIN 985        |
| 20   | 471180   | 1         | LOCK WASHER NORDLOCK M20 ELZ        |
| 21   | 480733   | 1         | PIN D6 X 40                         |
| 22   | 781049   | 1         | HYD. BALL VALVE                     |
| 23   | 782141   | 1         | VALVE COUNTER DOUBLE                |
| 24   | 978436   | 1         | DECAL - WARNING! SERVICE            |
| 25   | 14047200 | 1         | PIN D30.0 L= 223 /D6.0              |
| 26   | 14060300 | 1         | PIN Ø35.0 L= 128/Ø6.0               |
| 27   | 16155900 | 1         | DISC D70.0/ 31.0X10.0/RED           |
| 28   | 16160000 | 1         | PLATE F. HYD. VALVE CM66/9000       |
| 29   | 23230400 | 1         | BANJOBOLT 3/8 BSP                   |
| 30   | 23233700 | 1         | INSERT 9/16" ANGLE 45 DEG.          |
| 31   | 23234500 | 1         | HEX NIPPLE 1/4" - 9/16"             |
| 32   | 23234800 | 1         | HEX NIPPLE 1/2"-9/16"               |
| 33   | 23235800 | 1         | HEX NIPPLE 3/8"-9/16" - 0.7mm       |
| 34   | 24267600 | 1         | RUBBERSTOP 15/238 T=56 SS           |
| 35   | 28164100 | 1         | SWIVEL HITCH D50/8 BOLT             |
| 36   | 43000803 | 1         | BOLT HEX M20 X 70MM DEL - FT        |
| 37   | 44077000 | 1         | BOLT M5X35 DIN 603 S/S              |
| 38   | 48082100 | 1         | SPRING PIN Ø6x50 DIN1481 RST        |
| 39   | 61037800 | 1         | PIN F. STEERING 6600                |
| 40   | 61038500 | 1         | BRACKET FOR DRAWBAR NCM 6600        |
| 41   | 61081000 | 1         | FOOT F. SUPPORT LEG CM55/7000       |
| 42   | 63122800 | 1         | DRAWBAR CM55/7000                   |
| 43   | 63123000 | 1         | SUPPORT LEG F. CM55/7000            |
| 44   | 78132600 | 1         | DOB.CYL.Ø90/50-350/Ø35              |
| 45   | 78509800 | 1         | HY.HO.1/4"L= 1900<br>STR-STR        |
| 46   | 78511200 | 1         | HY.HO.1/4"L= 1250<br>90°-90° A=180  |
| 47   | 78525900 | 1         | HY.SL.1/4' L= 820<br>V-V45° A= 90GR |
| 48   | 78526000 | 1         | HY.HO.1/4"L= 1500<br>STR-45°        |
| 49   | 78526100 | 1         | HY.HO.1/4"L= 3500<br>STR-45°        |
| 50   | 97814500 | 1         | DECAL JACK STAND LOCK VALVE         |



**E1210**





FRAME - CM45/55/7000  
E1210-HIN, 08:02:19

Page 1

Date 12.08.2020 9:04

| Pos. | parts-n° | order qty | description                         |
|------|----------|-----------|-------------------------------------|
| 1    | 161923   | 1         | SUPPORT PLATE F. PTO CM+            |
| 2    | 163074   | 1         | WASHER D54/D17X3                    |
| 3    | 232169   | 1         | BANJO BOLT 1/4" BSP DELTA           |
| 4    | 241404   | 1         | DOWTY SEAL 1/4"                     |
| 5    | 242568   | 1         | DOOR STOP, FEMALE                   |
| 6    | 270608   | 1         | BUSHING F. DRAWBAR NCM Ø50/Ø33      |
| 7    | 334571   | 1         | PLUG 40x40x2 F.SQ.TUBE              |
| 8    | 410185   | 1         | BOLT HEX 8.8 DEL M6X16              |
| 9    | 420604   | 1         | BOLT HEX 8.8 DEL M10X25 FT DIN933   |
| 10   | 420906   | 1         | BOLT HEX 8.8 DEL M10X60             |
| 11   | 421232   | 1         | BOLT HEX 8.8 DEL M8X110             |
| 12   | 430286   | 1         | BOLT HEX 8.8 DEL M12X30 FT          |
| 13   | 430581   | 1         | BOLT HEX 8.8 DEL M16X40 FT          |
| 14   | 430721   | 1         | BOLT HEX 8.8 DEL M12X40 FT          |
| 15   | 430802   | 1         | BOLT HEX 8.8 DEL M12X75             |
| 16   | 430884   | 1         | BOLT HEX 8.8 DEL M16X160            |
| 17   | 430886   | 1         | BOLT HEX 8.8 DEL M20X160            |
| 18   | 440695   | 1         | BOLT CARRIAGE M8X25                 |
| 19   | 440718   | 1         | BOLT CRG M10 X 65 DEL               |
| 20   | 440737   | 1         | BOLT CARRIAGE M10x25 SS             |
| 21   | 460143   | 1         | LOCK NUT M8 SST A2 DIN985           |
| 22   | 460423   | 1         | NUT HEX M10X1.50 LOCK DIN985A2 SS   |
| 23   | 460585   | 1         | LOCKING NUT M16 DIN985 A2 SS        |
| 24   | 460703   | 1         | NUT HEX M12X1.75 LOCK DIN985A2 SS   |
| 25   | 460806   | 1         | NUT HEX M20X2.50 LOCK DIN985A2 SS   |
| 26   | 461316   | 1         | NUT HEX LOCK M30X3.5 DIN 985        |
| 27   | 471127   | 1         | WASHER, M12, Ø24/13X24X2.5 SS       |
| 28   | 471128   | 1         | WASHER, M16, Ø30/17.0X 3.0, SS      |
| 29   | 471132   | 1         | WASHER D24/D8.4 X 2 SS              |
| 30   | 471180   | 1         | LOCK WASHER NORDLOCK M20 ELZ        |
| 31   | 480733   | 1         | PIN D6 X 40                         |
| 32   | 14047100 | 1         | PIN D30.0 L= 132 /D6.0              |
| 33   | 14047200 | 1         | PIN D30.0 L= 223 /D6.0              |
| 34   | 14047300 | 1         | PIN D30.0 L= 161 /D6.0              |
| 35   | 14047400 | 1         | PIN D30.0 L= 104 /D6.0              |
| 36   | 15073000 | 1         | THREADED PIPE 1-1/4" L=20           |
| 37   | 15075900 | 1         | BUSHING D20/1.5 L=122               |
| 38   | 16144700 | 1         | SHIM F. DRAWBAR NCM4400             |
| 39   | 16154800 | 1         | PLATE F.REAR DRAWBAR ANCHOR         |
| 40   | 16155900 | 1         | DISC D70.0/ 31.0X10.0/RED           |
| 41   | 16358100 | 1         | PLATE 2 X 629 X 480 / 2 BENDS       |
| 42   | 16358200 | 1         | PLATE 6 X 868 X 475 / 4 BENDS       |
| 43   | 16358300 | 1         | PLATE 6 X 561 X 460 / 2 BENDS       |
| 44   | 23234500 | 1         | HEX NIPPLE 1/4" - 9/16"             |
| 45   | 24267600 | 1         | RUBBERSTOP 15/238 T=56 SS           |
| 46   | 28164100 | 1         | SWIVEL HITCH D50/8 BOLT             |
| 47   | 43000803 | 1         | BOLT HEX M20 X 70MM DEL - FT        |
| 48   | 45001500 | 1         | SCREW THUMB PLASTIC HEAD M6x20      |
| 49   | 45006200 | 1         | BOLT M6X16 ALLEN DIN 912 RST A4     |
| 50   | 61037800 | 1         | PIN F. STEERING 6600                |
| 51   | 61039700 | 1         | FOOT F. HYD. JACK NCM6600           |
| 52   | 61039800 | 1         | HANDRAIL F. NCM6600 PLATFORM        |
| 53   | 61062600 | 1         | FRONT COVER PLATE CM55/7000 PAINTED |
| 53   | 61091600 | 1         | FRONT COVER PLATE CM4500 PAINTED    |
| 54   | 61062900 | 1         | TANK LOCK TSPT UPRT COM11 PAINTED   |
| 55   | 61072600 | 1         | DECKPLATE FRONT CM4500 PAINTED      |
| 55   | 61074300 | 1         | DECKPLATE FRONT CM55/7000 PAINTED   |
| 56   | 63033500 | 1         | DRAWBAR SWIVEL D50 NCM 4400         |
| 57   | 63033700 | 1         | HANDRAIL FOR PLATFORM PAINTED       |
| 58   | 63043900 | 1         | DRAWBAR ADJUSTABLE CM6600           |
| 59   | 63045400 | 1         | SUPPORT LEG HYD. JACK 6600          |



FRAME - CM45/55/7000  
E1210-HIN, 08:02:19

Page 2

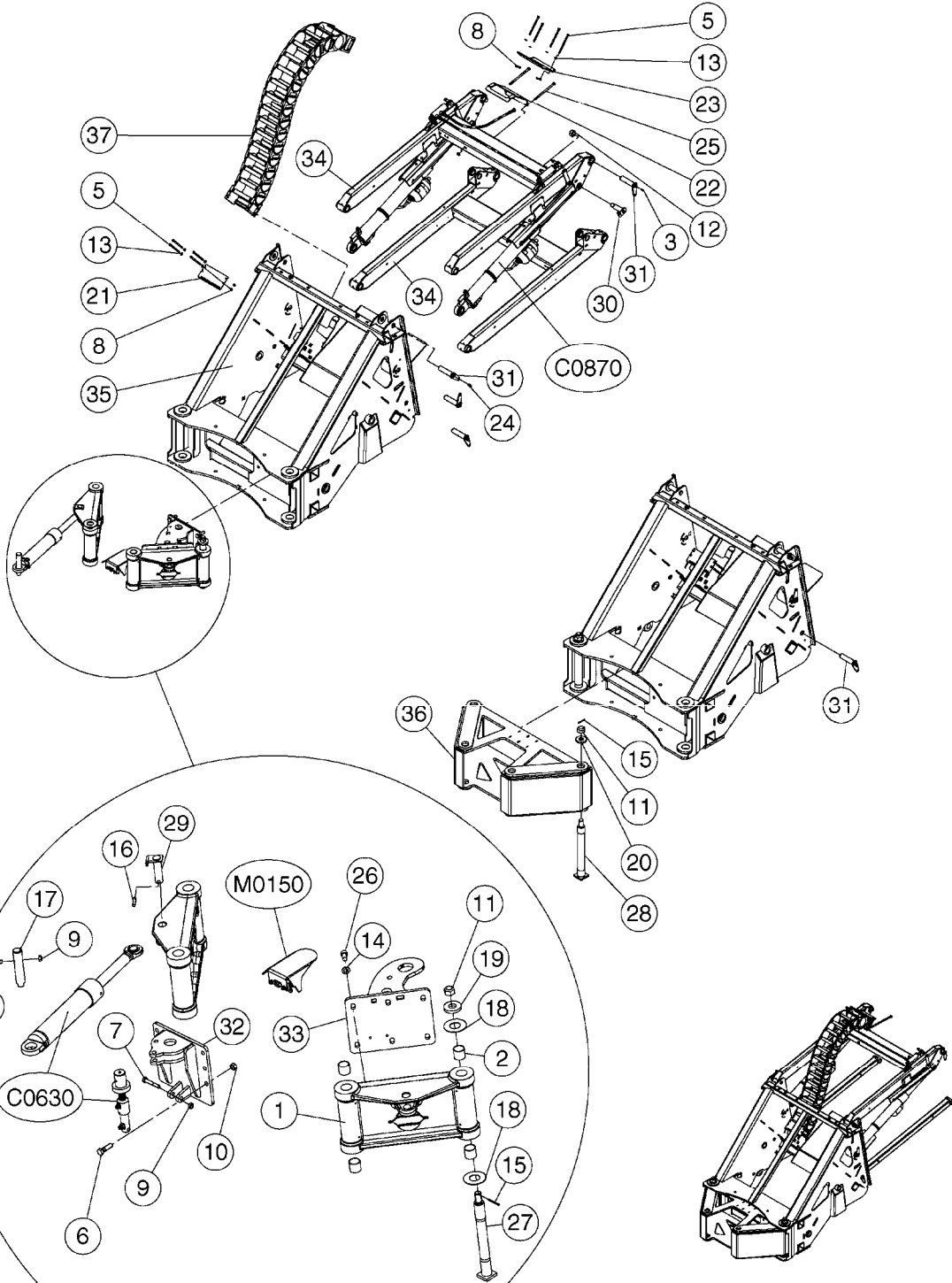
Date 12.08.2020 9:04

| Pos. | parts-n° | order qty | description                            |
|------|----------|-----------|--|
| 60   | 63096700 | 1         | TRANSPORT FRAME CM4500 PAINTED         |
| 60   | 63097100 | 1         | TRANSPORT FRAME CM55/7000 PAINTED      |
| 61   | 63097300 | 1         | FLUID PLATFORM CM55/7000 PAINTED       |
| 61   | 63143700 | 1         | FLUID PLATFORM CM4500 PAINTED          |
| 62   | 63113100 | 1         | FRAME CM4500 PAINTED                   |
| 62   | 63113300 | 1         | FRAME CM55/7000 PAINTED                |
| 63   | 63163500 | 1         | CONSOLE F.VALVES CM45/55/7000          |
| 64   | 63113900 | 1         | LADDER CM11                            |
| 65   | 63114100 | 1         | DECKPLATE REAR CM4500 PAINTED          |
| 65   | 63151600 | 1         | DECKPLATE REAR CM55/7000 PAINTED       |
| 66   | 63114300 | 1         | HOSE HOLDER, REAR, CM 45/55/7000, RED  |
| 67   | 63114500 | 1         | HOSE HOLDER, FRONT, CM 45/55/7000, RED |
| 68   | 72280700 | 1         | REPAIR KIT F.JACK STAND                |
| 69   | 72387400 | 1         | MOUNTED 6600 HYD JACK                  |
| 70   | 72855900 | 1         | SUPPORT LEG F.CM4500                   |
| 70   | 78603500 | 1         | SUPPORT LEG F.CM55/7000                |



FRAME - REAR W/PARALIFT  
CM45/55/7000  
E1220-HIN, 26:07:17

Page 0  
Date 12.08.2020 9:04



**E1220**



FRAME - REAR W/PARALIFT  
CM45/55/7000  
E1220-HIN, 26:07:17

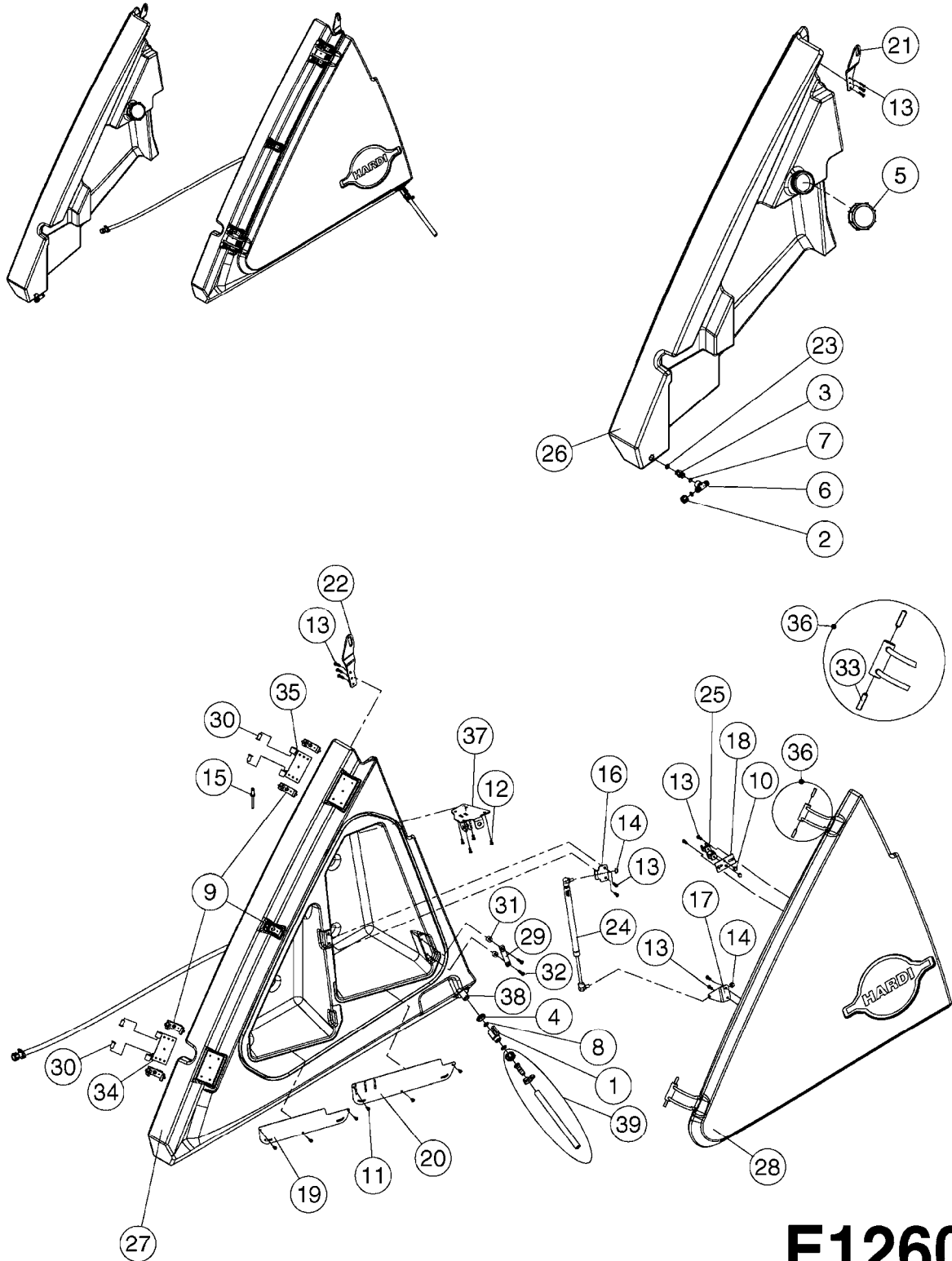
Page 1  
Date 12.08.2020 9:04

| Pos. | parts-n° | order qty | description                       |
|------|----------|-----------|-----------------------------------|
| 1    | 111708   | 1         | STEER ARM NCM 4400 PAINTED RED    |
| 1    | 111710   | 1         | STEER ARM NCM 6600 PAINTED RED    |
| 2    | 210776   | 1         | BUSHING F.TWIN STEERING ARM       |
| 2    | 210865   | 1         | BUSHING 40mm40mm DU               |
| 3    | 283699   | 1         | GREASE NIPPLE M6X1                |
| 4    | 421222   | 1         | BOLT HEX 8.8 DEL M10X75 FT        |
| 4    | 430846   | 1         | BOLT HEX 8.8 DEL M12X80           |
| 5    | 421256   | 1         | BOLT HEX 8.8 SS M8X130            |
| 6    | 430765   | 1         | BOLT HEX 8.8 DEL M16X55           |
| 7    | 430802   | 1         | BOLT HEX 8.8 DEL M12X75           |
| 8    | 460143   | 1         | LOCK NUT M8 SST A2 DIN985         |
| 9    | 460423   | 1         | NUT HEX M10X1.50 LOCK DIN985A2 SS |
| 9    | 460703   | 1         | NUT HEX M12X1.75 LOCK DIN985A2 SS |
| 10   | 460585   | 1         | LOCKING NUT M16 DIN985 A2 SS      |
| 11   | 460747   | 1         | NUT HEX M24 LOCK                  |
| 11   | 461316   | 1         | NUT HEX LOCK M30X3.5 DIN 985      |
| 12   | 460747   | 1         | NUT HEX M24 LOCK                  |
| 13   | 471126   | 1         | WASHER, M8, Ø16/ 8.4X 1.6, SS     |
| 14   | 471128   | 1         | WASHER, M16, Ø30/17.0X 3.0, SS    |
| 14   | 471129   | 1         | WASHER, M20, Ø37/21.0X 3.0, SS    |
| 15   | 480384   | 1         | PIN COTTER 3/16 x 1-1/2"          |
| 16   | 480502   | 1         | PIN RETAINING M10X50 DIN 1481     |
| 17   | 14051400 | 1         | PIN Ø35.1/Ø12 L=164               |
| 17   | 14051700 | 1         | PIN D30 L=164                     |
| 18   | 16125200 | 1         | DISC D90/42 X 2 RED               |
| 18   | 16125300 | 1         | DISC D90/42 X 3 RED               |
| 18   | 16155700 | 1         | DISC D115/52 X 2 RED              |
| 18   | 16155800 | 1         | DISC D115/52 X 3 RED              |
| 19   | 16155900 | 1         | DISC D70.0/ 31.0X10.0/RED         |
| 19   | 16375500 | 1         | WASHER 10.0X60X25 RED             |
| 20   | 16375500 | 1         | WASHER 10.0X60X25 RED             |
| 21   | 16384200 | 1         | CLAMP BKT FOR CABLE TRAY          |
| 22   | 16384400 | 1         | CABLE TRAY BRKT.BOTTOM PAINTED    |
| 23   | 16384600 | 1         | CABLE TRAY BRKT.TOP PAINTED       |
| 24   | 28112100 | 1         | GREASE FITTING Ø6 90GR M6         |
| 25   | 42126400 | 1         | BOLT HEX M10X180 A4-80            |
| 26   | 45001600 | 1         | M16 X 30 8.8 CYL. SCREW           |
| 26   | 45001800 | 1         | SCREW ALLEN M20X45 12.9 DE        |
| 27   | 61033700 | 1         | PIN F. STEERING 4400              |
| 27   | 61037800 | 1         | PIN F. STEERING 6600              |
| 28   | 61033700 | 1         | PIN F. STEERING 4400              |
| 29   | 61036400 | 1         | PIN D29.8 L=97                    |
| 29   | 61038100 | 1         | PIN D34.8                         |
| 30   | 61061200 | 1         | PIN, Ø30/M24 L=105                |
| 31   | 61061300 | 1         | PIN, Ø30 L=122                    |
| 32   | 63036100 | 1         | CONSOLE F. TRAPEZE LOCK CM "05    |
| 33   | 63036200 | 1         | LATCH F. TRAPEZE LOCK CM "05"     |
| 33   | 63044000 | 1         | LATCH F. TRAPEZE LOCK CM6600      |
| 34   | 63096000 | 1         | Paralift Arm CM11 RED             |
| 35   | 63096500 | 1         | REAR FRAME CM4500 PAINTED         |
| 35   | 63146200 | 1         | REAR FRAME CM55/7000 PAINTED      |
| 36   | 63096900 | 1         | MOUNT F.REAR FRAME CM4500 RED     |
| 37   | 72980400 | 1         | COMPLETE CABLE TRAY FOR PARALIFT  |



LOCKER & CLEAN WATER TANK  
CM45/55/7000  
E1260-HIN, 31:01:17

Page 0  
Date 12.08.2020 9:04



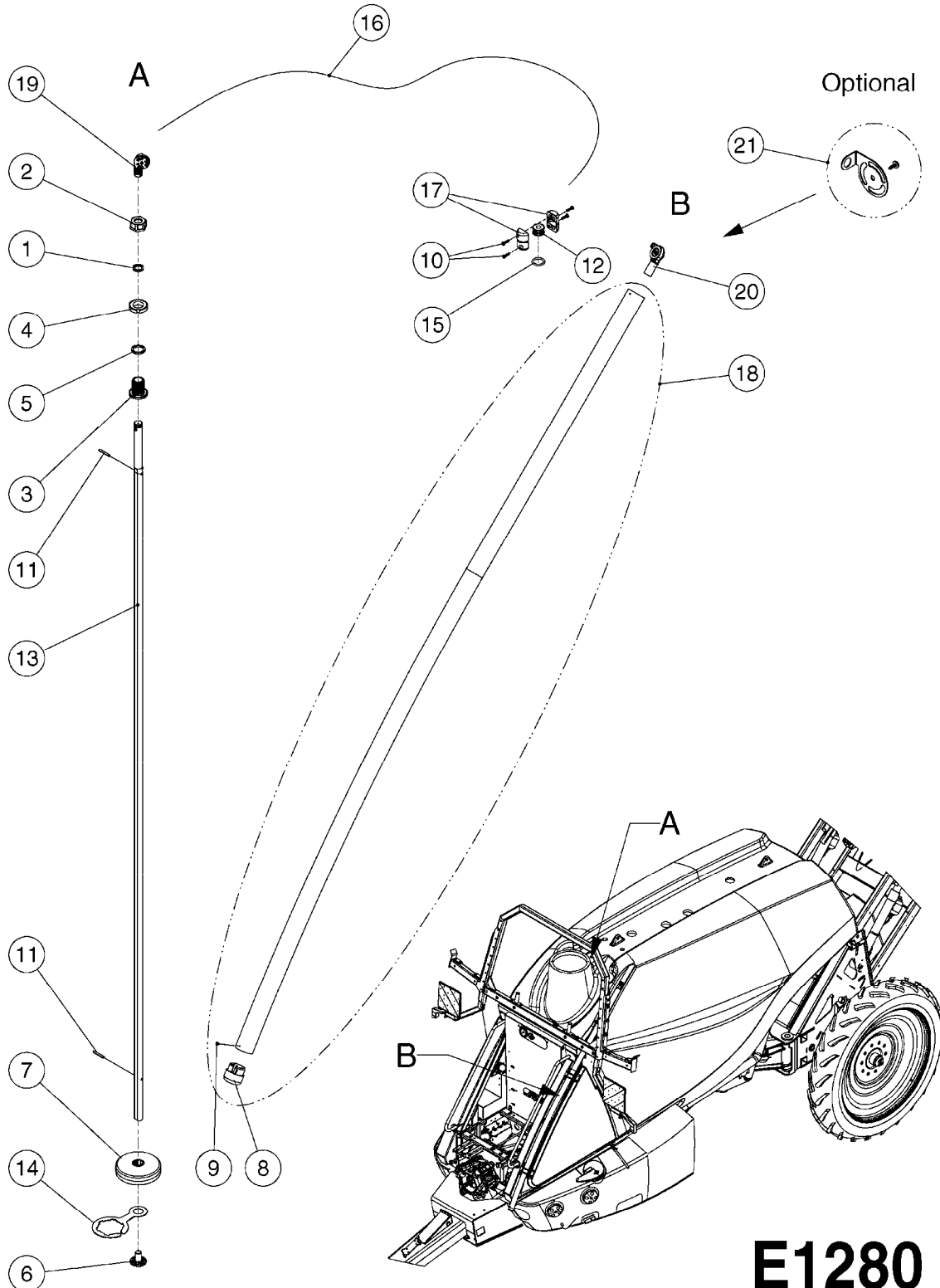
**E1260**



LOCKER & CLEAN WATER TANK  
 CM45/55/7000  
 E1260-HIN, 31:01:17

Page 1  
 Date 12.08.2020 9:04

| Pos. | parts-n° | order qty | description                        |
|------|----------|-----------|------------------------------------|
| 1    | 281551   | 1         | BALL VALVE 1/2"                    |
| 2    | 320272   | 1         | FITT.DK CAPNUT 3/8' BSP            |
| 3    | 320725   | 1         | FITT.DK NIPPLE 3/8"-3/8" BSP       |
| 4    | 321307   | 1         | FITT.DK NUT 1/2" BSP JAMB          |
| 5    | 321322   | 1         | SCREW CAP F. S80 X 4               |
| 6    | 322072   | 1         | FITT.DK TEE 3/8'X3/8'X3/8' BSP     |
| 7    | 330013   | 1         | O-RING 2.5 X 10 PUR                |
| 8    | 330212   | 1         | O-RING D19/D14X2.4 F.1/2"NUT       |
| 9    | 334523   | 1         | PIPE HOLDER Ø51.5                  |
| 10   | 410907   | 1         | SET SCREW M6 X 8 DIN 933-A2 INO    |
| 11   | 440673   | 1         | SCREW F.PLASTIC 5X12 SS            |
| 12   | 440709   | 1         | SCREW 60X12 CHEM.FILL HANDLE       |
| 13   | 440719   | 1         | SCREW F.PLASTIC KB60x20 SS         |
| 14   | 460143   | 1         | LOCK NUT M8 SST A2 DIN985          |
| 15   | 480806   | 1         | RIVET, POP, Ø4.8X14/Ø9.5 SS        |
| 15   | 480809   | 1         | BLIND RIVET, EMHART ACD616ASM      |
| 16   | 16367300 | 1         | BRACKET F.GASCYL.CM7000 RED        |
| 17   | 16368500 | 1         | BRACKET F.GASCYL.CM7000 RED        |
| 18   | 16368700 | 1         | LOCKPLATE F.COVER CM, RED          |
| 19   | 16368900 | 1         | SHELF EDGE CM45/55/7000 RED        |
| 20   | 16369100 | 1         | SHELF EDGE CM45/55/7000 RED        |
| 21   | 16382400 | 1         | HOLDER F. SIDE SHIELD R. CM'11,    |
| 22   | 16382600 | 1         | HOLDER F. SIDE SHIELD L. CM'11     |
| 23   | 24262700 | 1         | O-RING 9.12 X 3.5 NITRILE          |
| 24   | 28114900 | 1         | GAS CYLINDER L=485/200 F=100N      |
| 25   | 28115100 | 1         | RODHOLDER D18 VVS R04 2940 018     |
| 26   | 35181500 | 1         | SIDE SHIELD, RIGHT, CM'11          |
| 27   | 35181600 | 1         | SIDE SHIELD LEFT, CM'11            |
| 28   | 35181700 | 1         | LID FOR LEFT SHIELD CM             |
| 29   | 39140500 | 1         | TAP Ø16.0 L= 75 2xØ6.5             |
| 30   | 39140900 | 1         | BUSH.Ø 15.0/ 8.25 L= 21            |
| 31   | 39141800 | 1         | BUSHING Ø16.0/ 6.5 L= 12           |
| 32   | 44076300 | 1         | PT SCREW 60X35 WN5451 RSF TORX     |
| 33   | 45006700 | 1         | SCREW M 8X 30 A2 SS DIN914         |
| 34   | 61074600 | 1         | LOWER HINGE F.SAFETY LOCKER LID    |
| 35   | 61074700 | 1         | UPPER HINGE F.SAFETY LOCKER LID    |
| 36   | 61075400 | 1         | HINGE F.SAFETY LOCKER LID, CM      |
| 37   | 61075600 | 1         | BRACKET F. HC6200                  |
| 38   | 72733900 | 1         | HOSE ASSY, 3/8"X 1850<br>1X1/2"OML |
| 39   | 72734000 | 1         | HOSE ASSY,1/2"X250<br>1/2"OML      |



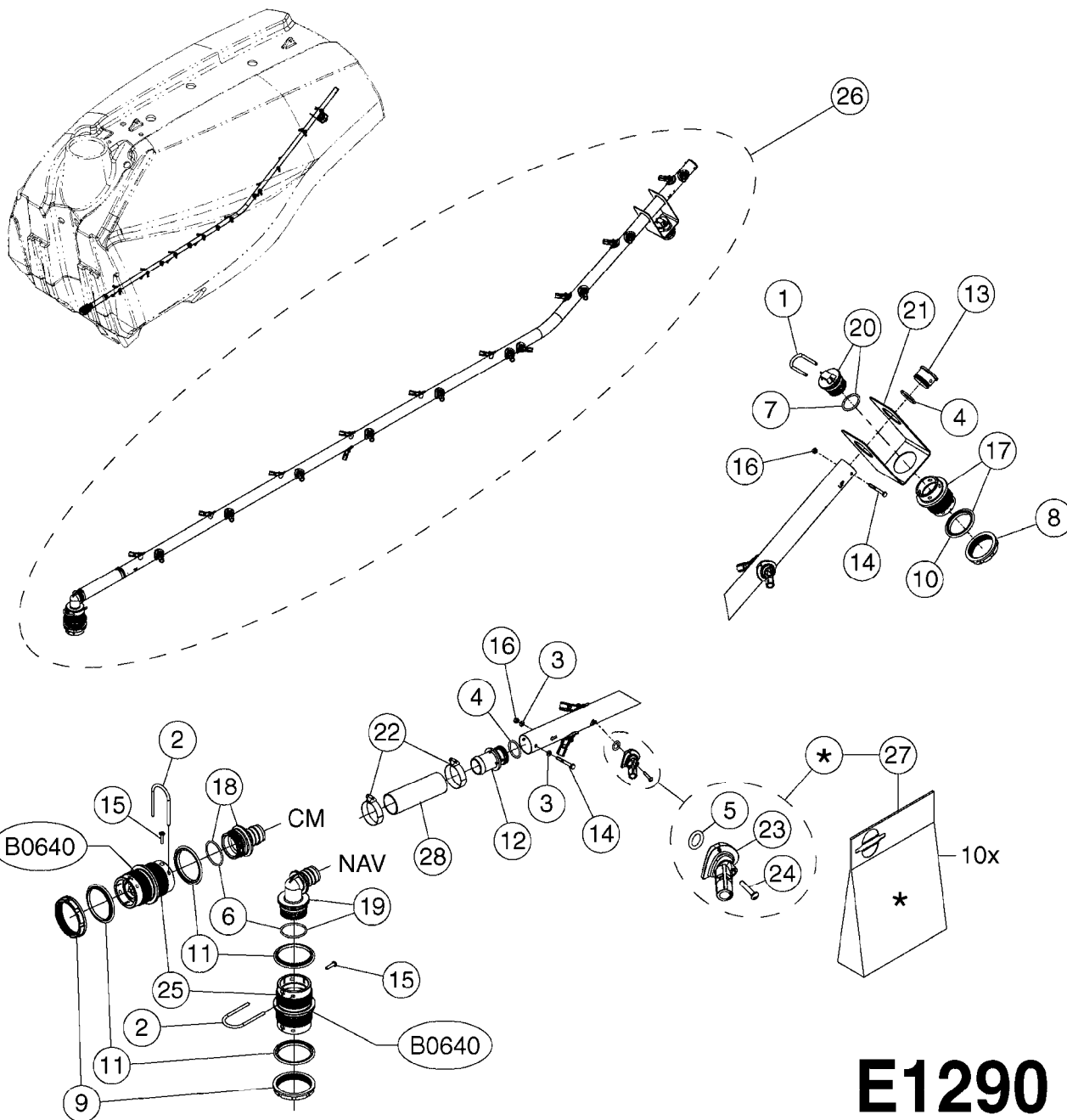


MECH. TANK GAUGE  
 CM4500/5500/7000  
 E1280-HIN, 26:04:17

Page 1  
 Date 12.08.2020 9:04

| Pos. | parts-n° | order qty | description  |
|------|----------|-----------|--|
| 1    | 242309   | 1         | SEAL Ø22 ID Ø30 OD X 4 HIGH  |
| 2    | 320095   | 1         | FITT.DK NUT 1" BSP   |
| 3    | 320467   | 1         | FITT.DK BULKHEAD 1"BSP SINGLE  |
| 4    | 320471   | 1         | FITT.DK NUT 1" BSP JAMB  |
| 5    | 332577   | 1         | O-RING D38/D30X4 F.1" PUR.   |
| 6    | 333864   | 1         | GUIDE F. SAFETY VALVE SPRING   |
| 7    | 334515   | 1         | FLOATER FOR LIQUID LEVEL   |
| 8    | 334850   | 1         | GUIDE F. SIGHT GAUGE TUBE TOP  |
| 9    | 440663   | 1         | SCREW 3/8" NR4 STAINLESS   |
| 10   | 440677   | 1         | SCREW F. PLASTIC 5X20 SS   |
| 11   | 480717   | 1         | PIN E 5X40 SST   |
| 12   | 14117500 | 1         | BUSH FOR SIGHT TUBE INDICATOR  |
| 13   | 15028800 | 1         | ROD F. FLOAT CM6000/7000/SAR5000   |
| 13   | 15068000 | 1         | ROD F.FLOAT CM4500   |
| 13   | 15128500 | 1         | ROD F. FLOAT CM5500  |
| 14   | 16135600 | 1         | GUIDE FOR SIGHT GAUGE NAV/NCM  |
| 15   | 24265100 | 1         | O-RING z28x4 SH70 VITON  |
| 16   | 28034100 | 1         | CABLE F.LIQUID LEVEL IND. SS L=5M  |
| 17   | 39140100 | 1         | SIGHT TUBE INDICATOR RED   |
| 18   | 72768700 | 1         | SCALE TUBE CM 7000   |
| 18   | 72878000 | 1         | SCALE TUBE CM 5500   |
| 18   | 72878100 | 1         | SCALE TUBE CM 4500   |
| 18   | 72932100 | 1         | PRE'15 TUBE LENGTH = 75"<br>SIGHT GAUGE TUBE W/DECAL CM4400/4500 GAL<br>PRE'15 TUBE LENGTH = 75" |
| 18   | 72932200 | 1         | SIGHT GAUGE TUBE W/DECAL CM5500 GAL  |
| 18   | 72932300 | 1         | SIGHT GAUGE TUBE W/DECAL CM7000 GAL  |
| 18   | 73125500 | 1         | SIGHT GAUGE W/SCALE,CM4500 '15 LITER<br>POST'15 TUBE LENGTH = 82"                                |
| 18   | 73277500 | 1         | SIGHT GAUGE W/SCALE,CM4500 '15 GAL<br>POST'15 TUBE LENGTH = 82"                                  |
| 19   | 72776300 | 1         | PULLEY FLOAT COMPLETE  |
| 20   | 72776400 | 1         | PULLEY SIGHT GAUGE COMPLETE  |
| 21   | 74193200 | 1         | GUIDE F. PULLEY SIGHT GAUGE  |





**E1290**



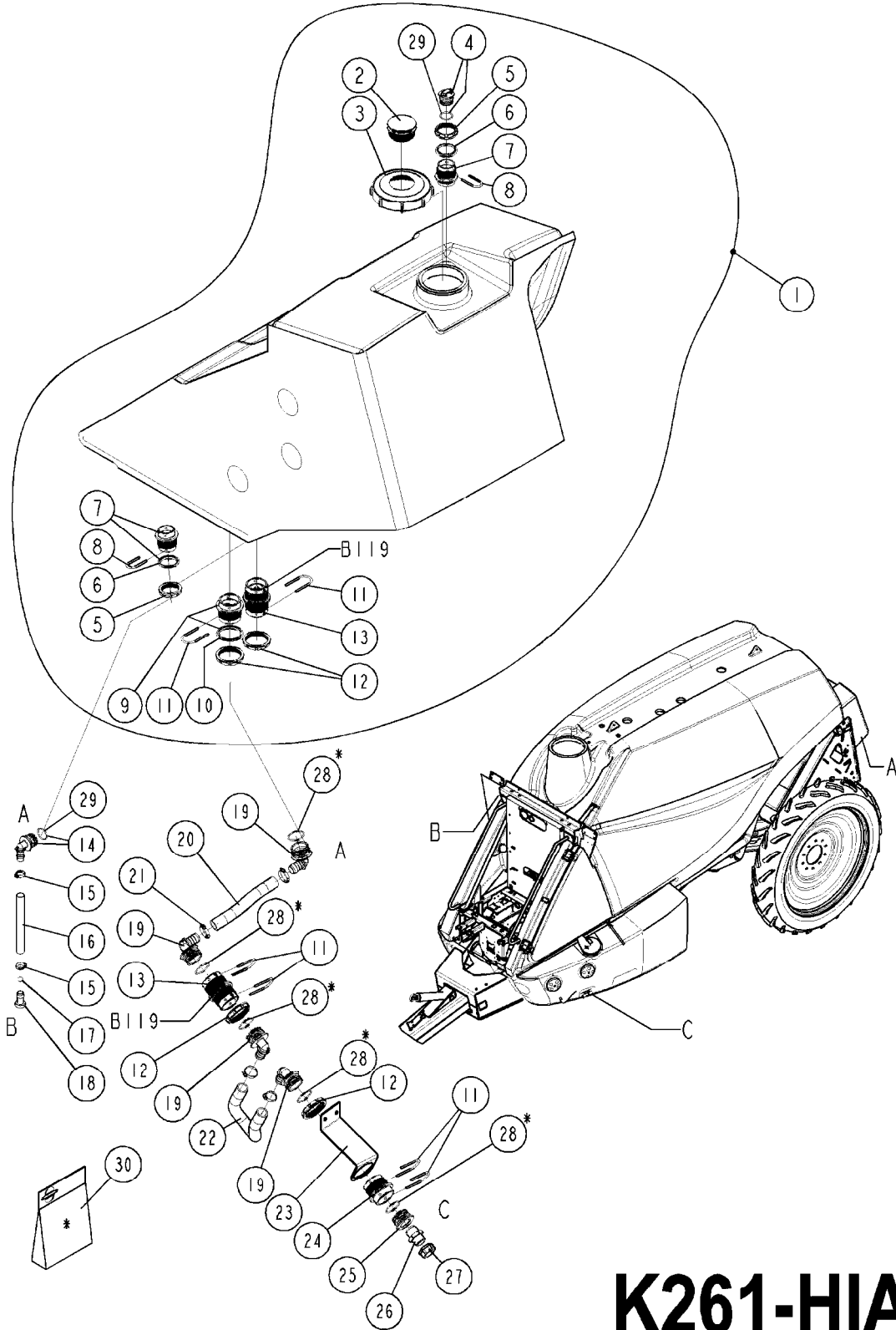
AGITATION TUBE  
E1290-HIN, 16:08:17

Page 1  
Date 12.08.2020 9:04

| Pos. | parts-n° | order qty | description                        |
|------|----------|-----------|------------------------------------|
| 1    | 145995   | 1         | FITT.DK S-53 FORK                  |
| 2    | 145996   | 1         | FITT.DK S-67 FORK                  |
| 3    | 241323   | 1         | O-RING D5.3X2.4 NITRIL             |
| 4    | 241441   | 1         | O-RING D29.3X3                     |
| 5    | 242132   | 1         | O-RING 21 X 15 X 3                 |
| 6    | 242353   | 1         | O-RING 3 X 44.2 VITON              |
| 7    | 242354   | 1         | O-RING D32.2X3.0 VITON             |
| 8    | 322107   | 1         | FITT.DK S-53 BULKHEAD NUT          |
| 9    | 322108   | 1         | FITT.DK S-67 BULKHEAD NUT          |
| 10   | 334260   | 1         | GASKET F. S-53 BULKHEAD            |
| 11   | 334261   | 1         | GASKET F. S-67 BULKHEAD            |
| 12   | 390902   | 1         | SPARGE TUBE FITT FRONT             |
| 13   | 390903   | 1         | CAP SPARGE TUBE                    |
| 14   | 411077   | 1         | SCREW M5X45 STAINLESS              |
| 15   | 440677   | 1         | SCREW F. PLASTIC 5X20 SS           |
| 16   | 461217   | 1         | NUT HEX M5 LOCK                    |
| 17   | 726463   | 1         | FITT.DK S53 BULKHEAD W/GASKET      |
| 18   | 726561   | 1         | FITT.DK S-67 STR.1-1/4" O-RING     |
| 19   | 726573   | 1         | FITT. S67 5/4" 90° W/O-RING        |
| 20   | 726578   | 1         | FITT.DK S53 PLUG WITH O-RING       |
| 21   | 16008300 | 1         | BRACKET SPARGE TUBE                |
| 22   | 28030103 | 1         | CLAMP HOSE GEAR P5/4-S1.5"6724     |
| 23   | 37218600 | 1         | AGITATION NOZZLE BLUE 1.5MM COM11  |
| 23   | 37218700 | 1         | AGITATION NOZZLE Ø2.0 RØD 11       |
| 23   | 37218800 | 1         | AGITATION NOZZLE BROWN 2.5MM COM11 |
| 23   | 37218900 | 1         | AGITATION NOZZLE Ø3.0 GREY 11      |
| 24   | 45006500 | 1         | BOLT, M4X20 BN5687 TORX, SS        |
| 25   | 72819200 | 1         | CHECK VALVE S67 2012 THREADED      |
| 26   | 72842100 | 1         | SPARGETUBE CM55/7000 COMPLETE      |
| 26   | 72844400 | 1         | SPARGETUBE CM4500 COMPLETE         |
| 26   | 72880900 | 1         | SPARGETUBE NAV4500 COMPLETE        |
| 26   | 72890800 | 1         | SPARGETUBE NAV6200 COMPLETE        |
| 27   | 74193100 | 1         | 10 PCS AGITATION NOZZLES BROWN     |
| 28   | 92734403 | 1         | HOSE R X5/4" X200PSI WP X0012"     |



RINSING TANK  
K261-HIA, 12:09:17



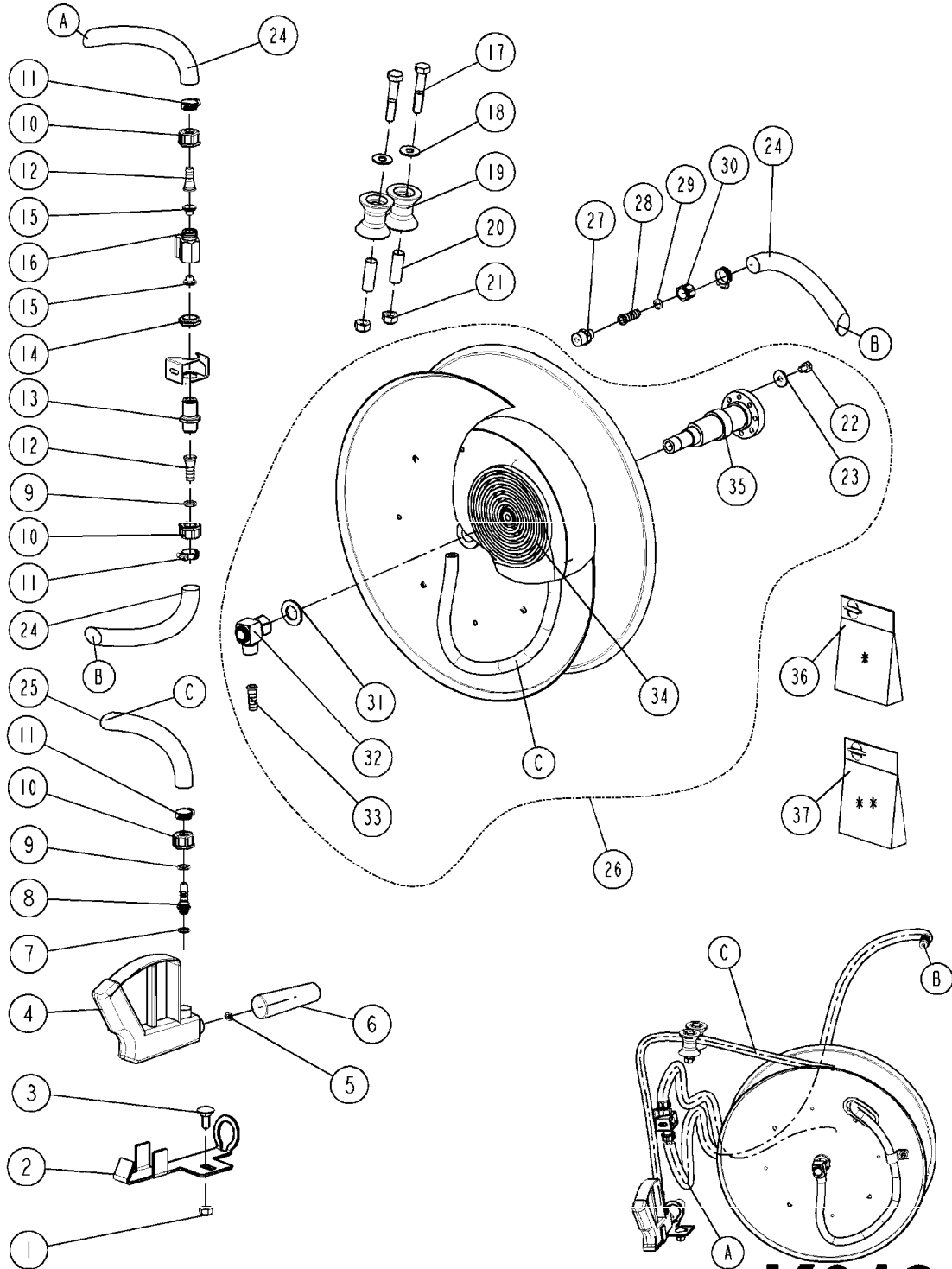
**K261-HIA**



RINSING TANK  
K261-HIA, 12:09:17

Page 1  
Date 12.08.2020 9:04

| Pos. | parts-n° | order qty | description   |
|------|----------|-----------|---|
| 1    | 72285500 | 1         | RINSE TANK 120G. W/FITTINGS NCM/NAV   |
| 2    | 727038   | 1         | VENT F.TANK (FAST FILL)   |
| 3    | 390847   | 1         | LID F. RINSE TANK CM  |
| 4    | 726578   | 1         | FITT.DK S53 PLUG WITH O-RING  |
| 5    | 322107   | 1         | FITT.DK S-53 BULKHEAD NUT   |
| 6    | 334260   | 1         | GASKET F. S-53 BULKHEAD   |
| 7    | 726463   | 1         | FITT.DK S53 BULKHEAD W/GASKET   |
| 8    | 145995   | 1         | FITT.DK S-53 FORK   |
| 9    | 726464   | 1         | FITT.DK S-67 BULKHEAD W/GASKET  |
| 10   | 334261   | 1         | GASKET F. S-67 BULKHEAD   |
| 11   | 145996   | 1         | FITT.DK S-67 FORK   |
| 12   | 322108   | 1         | FITT.DK S-67 BULKHEAD NUT   |
| 13   | 72746000 | 1         | CHECK VALVE S67 2011 THREADED   |
| 14   | 726570   | 1         | FITT.DK S-53 ELB.3/4" W. ORING  |
| 15   | 284584   | 1         | CLAMP HOSE GEAR 3/4" MINI 012   |
| 16   | 927205   | 1         | HOSE R X CLEAR X 3/4 X 0012"<br>L > 4900mm for 55/66/7000 LL > 4700mm for 4400 L  |
| 17   | 334878   | 1         | BALL, YELLOW, SIGHT GAUGE   |
| 18   | 391105   | 1         | FINAL STOPPER, 3/4"   |
| 19   | 334243   | 1         | FITT.DK S-67 ELB.1"   |
| 20   | 92738800 | 1         | SUCTION SPIRAL HOSE 1' .....<br>L > 2950mm for 25/32/3300 LL > 3475mm for 44/4500 |
| 21   | 283718   | 1         | CLAMP HOSE GEAR D25-34'   |
| 22   | 92738800 | 1         | SUCTION SPIRAL HOSE 1' .....<br>L > 500mm for all tank sizes                      |
| 23   | 16130700 | 1         | MOUNTING PLATE FOR RINSE TANK   |
| 24   | 322104   | 1         | FITT.DK S-67 BULKHEAD   |
| 25   | 322132   | 1         | FITTING S67- BSP1" F  |
| 26   | 320132   | 1         | FITT.DK HN 1" BSP   |
| 27   | 320106   | 1         | FITT.DK CAPNUT 1" BSP   |
| 27   | 242354   | 1         | O-RING D32.2X3.0 VITON  |
| 28   | 242353   | 1         | O-RING 3 X 44.2 VITON   |
| 28   | 241973   | 1         | O-RING Ø3 X 44.2 70 SHORES NITRIL   |
| 29   | 242354   | 1         | O-RING D32.2X3.0 VITON  |
| 30   | 74196100 | 1         | BAG OF 10 PCS. 241973 O-RINGS   |



**K612**



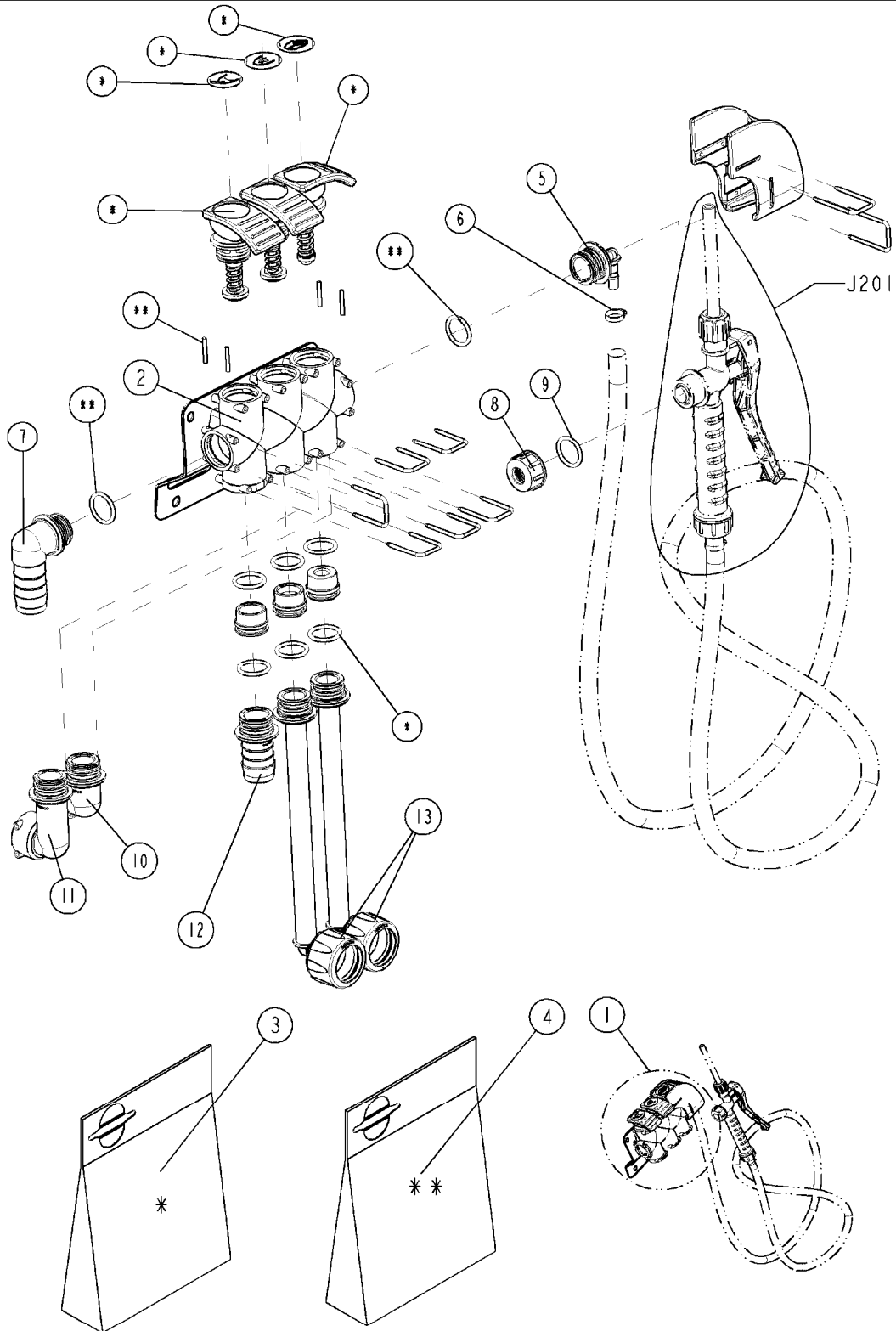
CM HOSE REEL  
K612-HIA, 29:04:14

Page 1  
Date 12.08.2020 9:04

| Pos. | parts-n° | order qty | description                            |
|------|----------|-----------|--|
| 1    | 460423   | 1         | NUT HEX M10X1.50 LOCK DIN985A2 SS      |
| 2    | 16360000 | 1         | BRACKET FOR HAND GUN                   |
| 3    | 440737   | 1         | BOLT CARRIAGE M10x25 SS                |
| 4    | 725663   | 1         | PISTOL 60 COVER PART                   |
| 5    | 334121   | 1         | SEAT FOR ON-OFF TYPE                   |
| 6    | 725664   | 1         | FRONTPART F.SPRAY GUN MODEL 60         |
| 7    | 242033   | 1         | O-RING Ø14.1 X 1.6 NITRILE             |
| 8    | 334653   | 1         | FITT.DK HB 3/8' F.HANDGUN              |
| 9    | 330212   | 1         | O-RING D19/D14X2.4 F.1/2"NUT           |
| 10   | 320084   | 1         | FITT.DK NUT 1/2" BSP                   |
| 11   | 284583   | 1         | CLAMP HOSE GEAR 1/2" 28029803          |
| 12   | 330676   | 1         | FITT.DK HB 3/8" F. 1/2" NUT            |
| 13   | 321742   | 1         | FITT.DK BULKHEAD 1/2' BSP              |
| 14   | 321307   | 1         | FITT.DK NUT 1/2" BSP JAMB              |
| 15   | 332076   | 1         | CONE INSERT F. ALUMINUM LANCE          |
| 16   | 281551   | 1         | BALL VALVE 1/2"                        |
| 17   | 430802   | 1         | BOLT HEX 8.8 DEL M12X75                |
| 18   | 165557   | 1         | WASHER D28.0/D12.2X2.0 SS              |
| 19   | 39141200 | 1         | PLASTIC TRUSS D30/16.5 L=52            |
| 20   | 15143200 | 1         | TUBE D16.0 X1.5 DEL                    |
| 21   | 460703   | 1         | NUT HEX M12X1.75 LOCK DIN985A2 SS      |
| 22   | 420918   | 1         | BOLT 8 X 12 STAINLESS                  |
| 23   | 471132   | 1         | WASHER D24/D8.4 X 2 SS                 |
| 24   | 927017   | 1         | HOSE R X 60 BAR X 3/8 X 0012"          |
| 25   | 927384   | 1         | PVC HOSE W/INS.3/8' BLACK 25M          |
| 26   | 28112400 | 1         | HOSEREEL W. REWINDER                   |
| 27   | 320445   | 1         | FITT.DK HN 1/4"X3/8" BSP               |
| 28   | 330783   | 1         | FITT.DK HB 3/8"F.3/8" NUT              |
| 29   | 330013   | 1         | O-RING 2.5 X 10 PUR                    |
| 30   | 320187   | 1         | FITT.DK CAP 3/8" BSP BLACK             |
| 31   | 28125600 | 1         | DISC 21.5X42.2 HOSE REEL CM45/55/7000  |
| 32   | 28125400 | 1         | ANGLE SWIVEL F. HOSE REEL CM45/55/7000 |
| 33   | 28125500 | 1         | FITT. 1/4" F. HOSE REEL CM45/55/7000   |
| 34   | 28125300 | 1         | SPRING F. HOSEREEL CM45/55/7000        |
| 35   | 28125200 | 1         | AXLE F. HOSE REEL CM45/55/7000         |
| 36   | 28125700 | 1         | REP. KIT F RATCHET CM45/55/7000        |
| 37   | 28125800 | 1         | GASKET SET F.HOSE REEL CM45/55/7000    |



MANIFOLD F. TURBO FILLER  
K621-HIA, 20:10:16





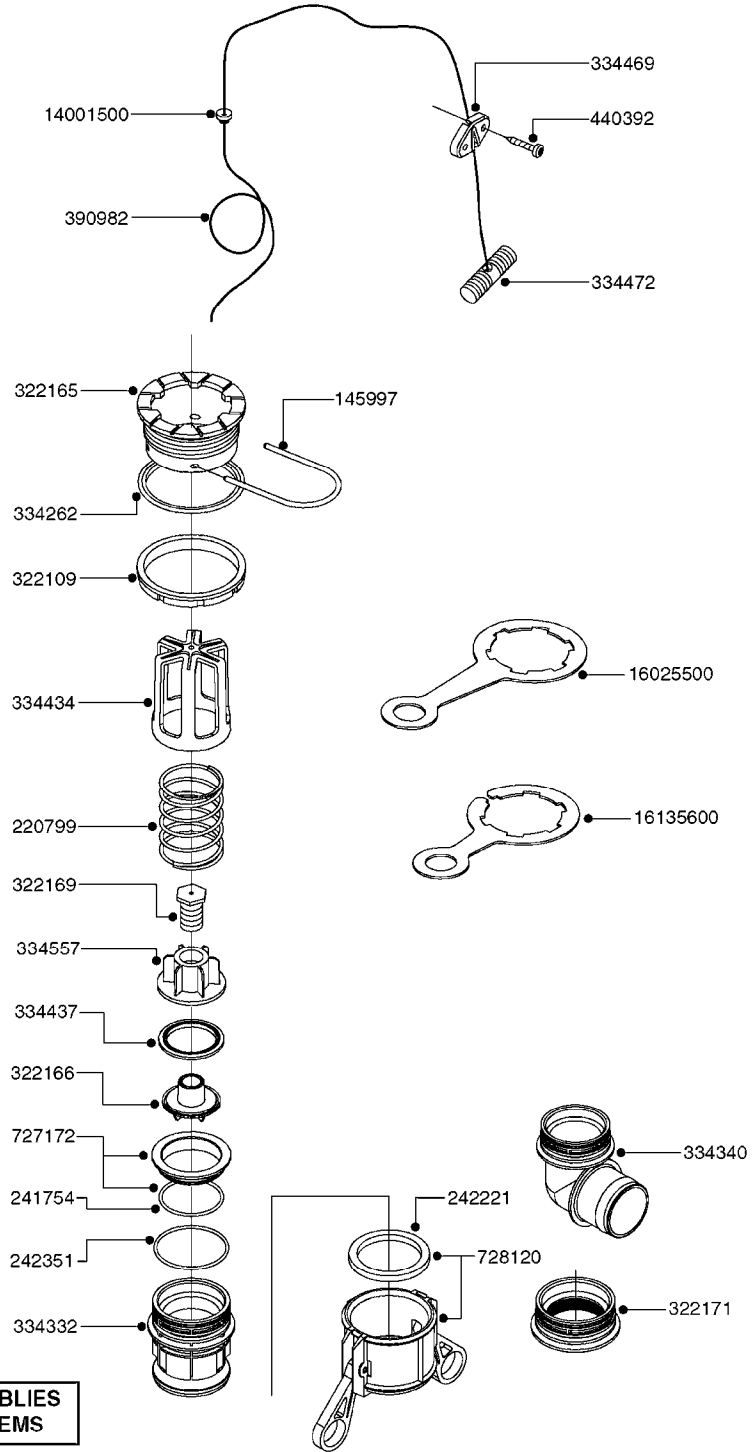
MANIFOLD F.TURBO FILLER  
K621-HIA, 20:10:16

Page 1

Date 12.08.2020 9:04

| Pos. | parts-n° | order qty | description                         |
|------|----------|-----------|-------------------------------------|
| 1    | 72482000 | 1         | MANIFOLD S25 CHEMFILL               |
| 1    | 72775000 | 1         | MANIFOLD TURBOFILL CM11             |
| 2    | 39122600 | 1         | FITT.DK S-25 VALVE MANIFOLD         |
| 3    | 72530700 | 1         | REP. KIT F. MANIFOLD S25 TURB.      |
| 4    | 72924500 | 1         | REP.KIT F.MANIFOLD S25 TURBO        |
| 5    | 33512500 | 1         | FITT.DK S-25 ELB.90° 5/16"HB        |
| 6    | 284582   | 1         | CLAMP HOSE GEAR - 5/16"             |
| 7    | 333561   | 1         | FITT.DK ELB.1" EC RETURN            |
| 8    | 32242500 | 1         | NUT FOR LANCE GREY                  |
| 9    | 240951   | 1         | O-RING D21.2X3 NITRIL               |
| 10   | 33512800 | 1         | FITT.DK S-25 ELB.90° S-25 L38       |
| 11   | 33512900 | 1         | FITT.DK S-25 ELB.90° S-25 L60       |
| 12   | 33513500 | 1         | FITT.DK S-25 STR. 1"                |
| 13   | 72775300 | 1         | HOSE ASSY,1/2" X 320<br>S25-T25/90° |





COMPLETE ASSEMBLIES  
WHOLEGOODS ITEMS

727617 - COMPLETE ASSEMBLY (2" BSP THREADED FITTING & 126" CORD)  
727742 - COMPLETE ASSEMBLY (2-1/2" ELBOW & 157.5" CORD)

# K0180

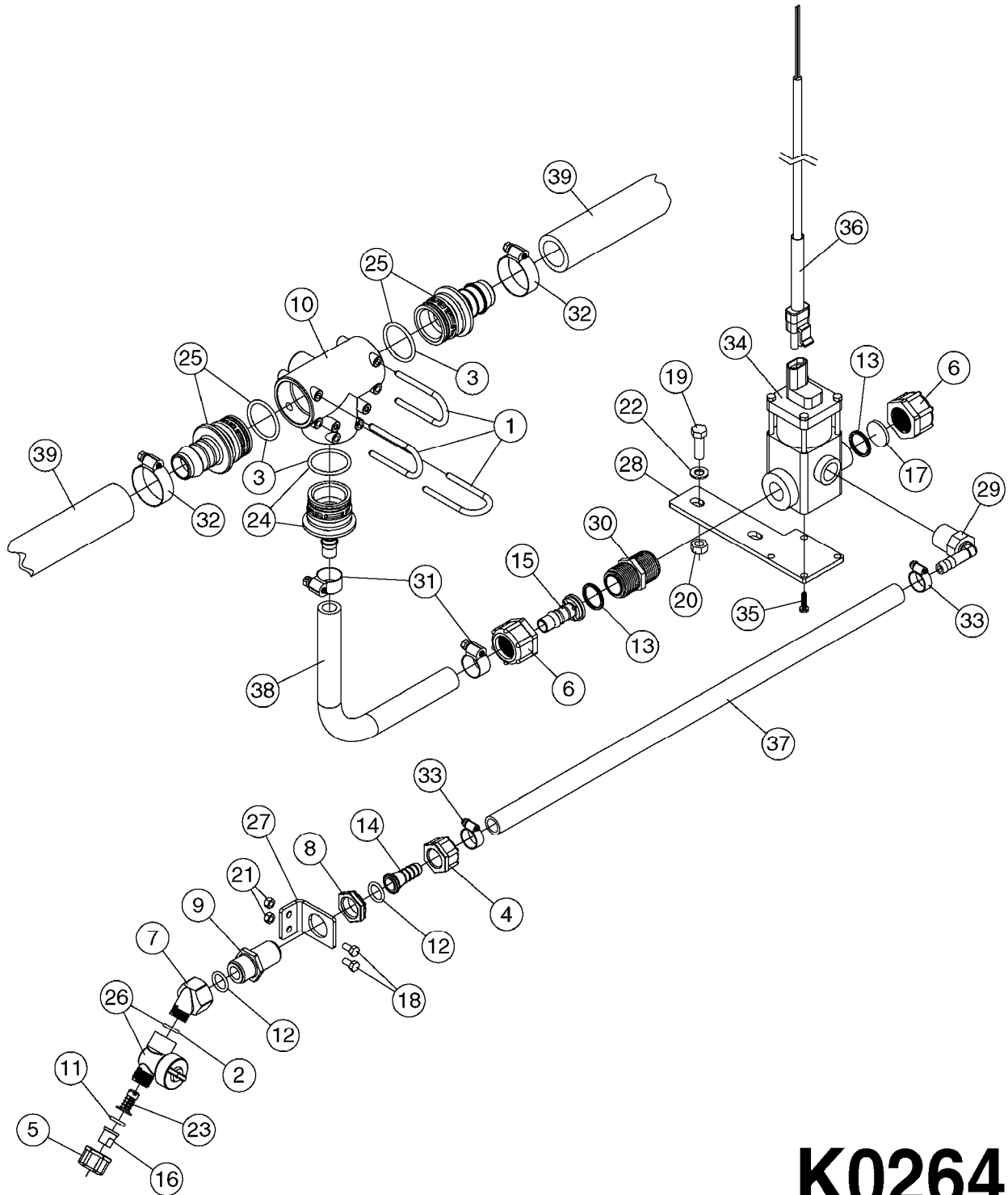


DRAIN ASSEMBLY-PULL CORD TYPE  
K0180-HIN, 01:01:16

Page 1

Date 12.08.2020 9:04

| parts-n° | order qty | description                    |
|----------|-----------|--------------------------------|
| 145997   | 1         | FITT.DK S-93 FORK              |
| 220799   | 1         | SPRING F.TOP DRAIN             |
| 241754   | 1         | O-RING D59.5X3                 |
| 242221   | 1         | GASKET F. S-93 QUICK COUPLERS  |
| 242351   | 1         | O-RING D69.5X3.0 VITON F.S-93  |
| 322109   | 1         | FITT.DK S-93 BULKHEAD NUT      |
| 322165   | 1         | FITT.DK S-93 BULKHEAD SINGLE   |
| 322166   | 1         | VALVE FLAP LOWER PART          |
| 322169   | 1         | CORD PLUG F.TOP DRAIN          |
| 322171   | 1         | FITT.DK S-93 THREAD INS.2"BSP  |
| 334262   | 1         | GASKET F.S-93 BULKHEAD         |
| 334332   | 1         | FITT.DK S-93 MALE QUICK COUP.  |
| 334340   | 1         | FITT.DK S-93 ELBOW 2.5"        |
| 334434   | 1         | CAGE F.SPRING BOTTOM DRAIN ASY |
| 334437   | 1         | SEAL FOR VALVE FLAP            |
| 334469   | 1         | CLEVIS F.CORD TOP DRAIN ASSY.  |
| 334472   | 1         | HANDLE FOR TOP DRAIN           |
| 334557   | 1         | SPRING SEAT TOP DRAIN          |
| 390982   | 1         | CORD NYLON 4000MM              |
| 440392   | 1         | SCREW 6.3 X 25.0 DIN7981C TORX |
| 727172   | 1         | FITT.DK S-93 SEAT INSERT       |
| 727617   | 1         | FITT.DK S-93 BOTTOM VALVE 2'   |
| 727742   | 1         | TOP DRAIN CORD TYPE            |
| 728120   | 1         | QUICK COUPLER CAP F.S93 DRAIN  |
| 14001500 | 1         | GROMMET F.TOP DRAIN CORD       |
| 16025500 | 1         | TANK SPACER SIGHT GAUGE        |
| 16135600 | 1         | GUIDE FOR SIGHT GAUGE NAV/NCM  |



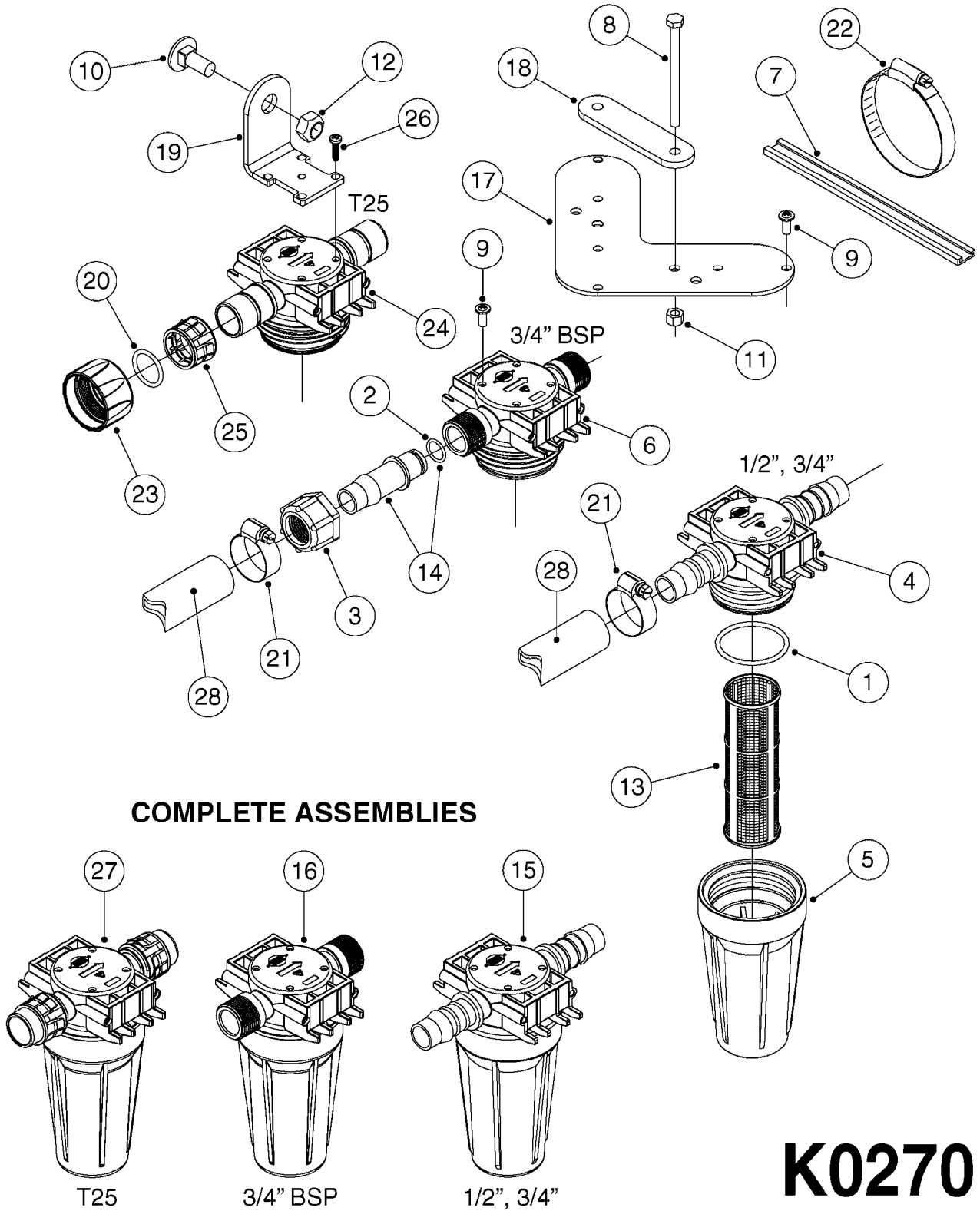
**K0264**



ELECTRIC END NOZZLE KIT  
 FTZ/TDZ '13  
 K0264-HIN, 06:12:17

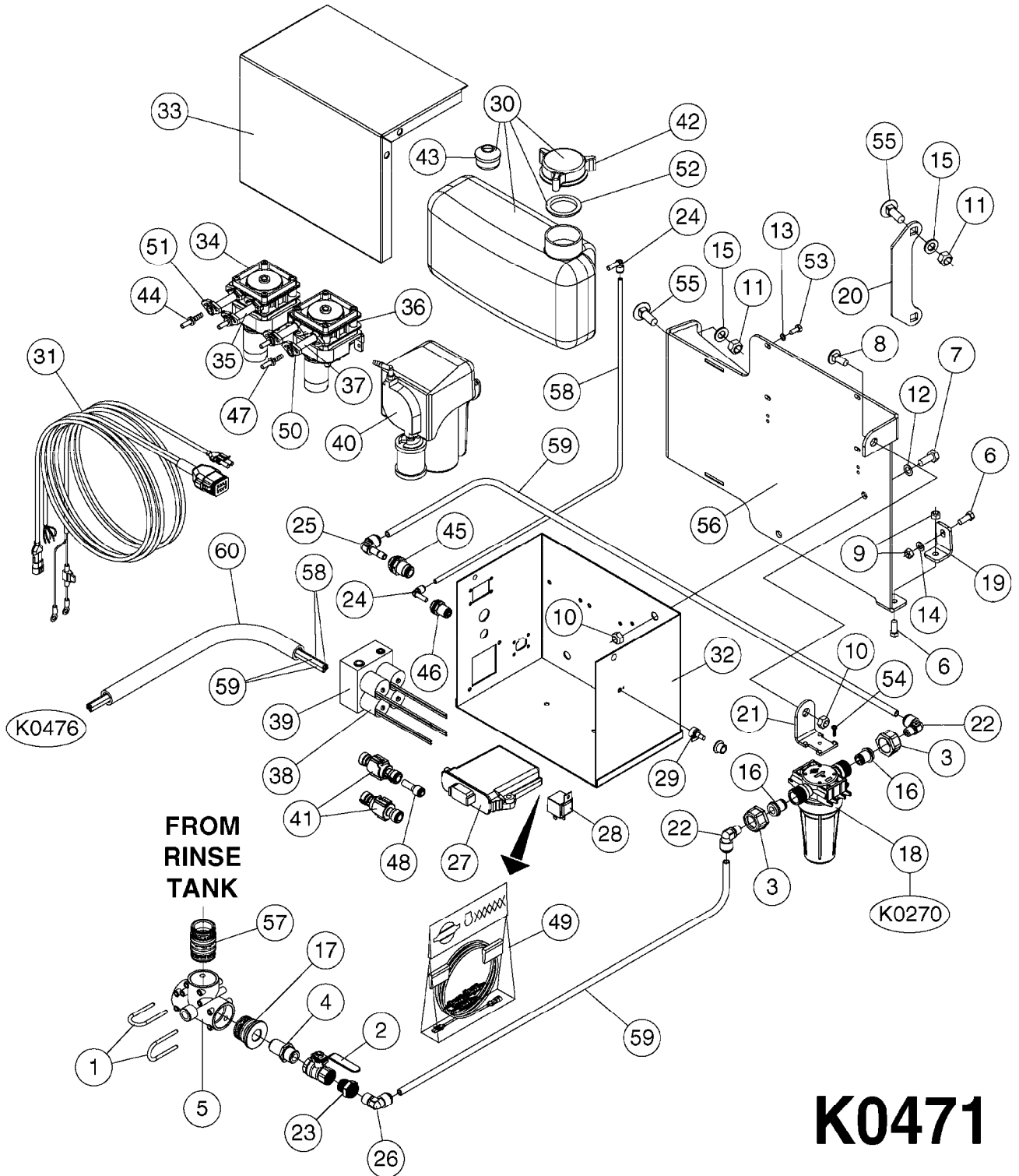
Page 1  
 Date 12.08.2020 9:04

| Pos. | parts-n° | order qty | description                         |
|------|----------|-----------|-------------------------------------|
| 1    | 145995   | 1         | FITT.DK S-53 FORK                   |
| 2    | 240177   | 1         | O-RING D16.1/11.3 X 2.4             |
| 3    | 242109   | 1         | O-RING D32.2x3.0                    |
| 3    | 242354   | 1         | O-RING D32.2X3.0 VITON              |
| 4    | 320084   | 1         | FITT.DK NUT 1/2" BSP                |
| 5    | 320187   | 1         | FITT.DK CAP 3/8" BSP BLACK          |
| 6    | 320283   | 1         | FITT.DK NUT 3/4"BSP                 |
| 7    | 320596   | 1         | FITT.DK ELB 3/8"-1/2'BSP 45DEG      |
| 8    | 321307   | 1         | FITT.DK NUT 1/2" BSP JAMB           |
| 9    | 321742   | 1         | FITT.DK BULKHEAD 1/2' BSP           |
| 10   | 322352   | 1         | FITT.DK S-53 TEE                    |
| 11   | 330013   | 1         | O-RING 2.5 X 10 PUR                 |
| 12   | 330212   | 1         | O-RING D19/D14X2.4 F.1/2"NUT        |
| 13   | 330595   | 1         | O-RING D24.6/D20X2.1 -3/4"          |
| 14   | 330676   | 1         | FITT.DK HB 3/8" F. 1/2" NUT         |
| 15   | 332286   | 1         | FITT.DK HB 1/2" F. 3/4" NUT         |
| 16   | 370392   | 1         | NOZZLE END FAN 1850-G 300           |
| 17   | 390542   | 1         | PLUG WASHER FOR 3/4'CAP NUT         |
| 18   | 411030   | 1         | BOLT HEX M5X10                      |
| 19   | 421046   | 1         | BOLT HEX M8X25/25 A2 SS DIN933      |
| 20   | 460143   | 1         | LOCK NUT M8 SST A2 DIN985           |
| 21   | 461217   | 1         | NUT HEX M5 LOCK                     |
| 22   | 471126   | 1         | WASHER, M8, Ø16/ 8.4X 1.6, SS       |
| 23   | 725042   | 1         | SCREEN 80 MESH W.GASKET, RED        |
| 24   | 726556   | 1         | FITT.DK S-53 HB 1/2" W/O-RING       |
| 25   | 726559   | 1         | FITT DK. S-53 HB 1" W/O-RING        |
| 26   | 729610   | 1         | NOZZLE ASSY. NON DRIP 3/8 THRD      |
| 27   | 16170303 | 1         | END NOZZLE MOUNT 2013, TDZ          |
| 28   | 16170703 | 1         | PLATE, TDZ END NOZZLE SOLENOID MNT  |
| 29   | 23005603 | 1         | FITT, 1/2" NPT X 3/8" HOSE SHANK 90 |
| 30   | 23005703 | 1         | FITT, 3/4" POLY NIPPLE              |
| 31   | 28029803 | 1         | CLAMP HOSE GEAR P1/2" 6708          |
| 32   | 28030003 | 1         | CLAMP HOSE GEAR P1" 6716            |
| 33   | 28044903 | 1         | CLAMP HOSE GEAR P3/8" 6706          |
| 34   | 28085803 | 1         | SOLENOID VALVE, TIR, 3/4X1/2X3/4    |
| 35   | 44076200 | 1         | SCREW WN5451 5X16 SS TORX           |
| 36   | 70113203 | 1         | END NOZZLE 2013, 2 WIRE CABLE       |
| 37   | 92701703 | 1         | HOSE R X3/8" X300PSI WP X0012"      |
| 38   | 92702103 | 1         | HOSE R X1/2" X300PSI WP X0012"      |
| 39   | 92712403 | 1         | HOSE R X1" X300PSI WP X0012"        |





| Pos. | parts-n° | order qty | description                       |
|------|----------|-----------|-----------------------------------|
| 1    | 240925   | 1         | O-RING D49.5X3 NITRIL             |
| 2    | 242594   | 1         | O-RING D14 X 1.78 SCH.70-EPDM     |
| 3    | 320283   | 1         | FITT.DK NUT 3/4"BSP               |
| 4    | 322241   | 1         | FILTER HOUSING W.3/4' BARBS       |
| 4    | 322249   | 1         | FILTER HOUSING W.1/2' BARBS       |
| 5    | 322242   | 1         | FILTER BOWL / IN-LINE             |
| 6    | 322250   | 1         | FILTER HOUSING W.3/4"BSP THRD     |
| 7    | 341291   | 1         | RUBBER HOSE CLAMP COVER 130MM     |
| 7    | 341292   | 1         | RUBBER HOSE CLAMP COVER 180MM     |
| 8    | 410605   | 1         | BOLT HEX 8.8 DEL M6X80            |
| 9    | 440673   | 1         | SCREW F.PLASTIC 5X12 SS           |
| 10   | 440737   | 1         | BOLT CARRIAGE M10x25 SS           |
| 11   | 460261   | 1         | NUT HEX M6X1.00 LOCK DIN985 A2 SS |
| 12   | 460423   | 1         | NUT HEX M10X1.50 LOCK DIN985A2 SS |
| 13   | 615443   | 1         | FILTER ELEM.50 MESH BLUE          |
| 13   | 615444   | 1         | FILTER ELEM.80 MESH RED           |
| 13   | 615445   | 1         | FILTER ELEM.100 MESH YELLOW       |
| 14   | 716236   | 1         | FITT.DK HB 1/2" ASSY. F. 3/4"     |
| 14   | 724621   | 1         | FITT.DK HB 3/4"ASSY F.3/4" NUT    |
| 15   | 845205   | 1         | FILTER IN-LINE 1/2" 50 MESH       |
| 15   | 845208   | 1         | FILTER IN-LINE 3/4' 50 MESH       |
| 15   | 845209   | 1         | FILTER IN-LINE 3/4' 80 MESH       |
| 15   | 845210   | 1         | FILTER IN-LINE 3/4" 100 MESH      |
| 16   | 845218   | 1         | FILTER IN-LINE 3/4'50 MESH OML    |
| 16   | 845219   | 1         | FILTER IN-LINE 3/4'80 MESH OML    |
| 17   | 16022203 | 1         | PLATE 3.0 X 55 X 196              |
| 18   | 16022403 | 1         | BRACKET 60MM TUBE                 |
| 19   | 16321500 | 1         | LINE FILTER BRACKET, TDZ/DDZ      |
| 20   | 24263000 | 1         | O-RING Ø24.4 X 3.1 NITRIL SH70    |
| 21   | 28029903 | 1         | CLAMP HOSE GEAR P3/4"-S1" 6712    |
| 22   | 28047103 | 1         | CLAMP HOSE GEAR 50 X 50 6740      |
| 22   | 28047203 | 1         | CLAMP HOSE GEAR 60 X 80 6756      |
| 23   | 32239700 | 1         | FITT.DK NUT T25                   |
| 24   | 32239800 | 1         | FITT.DK IN-LINE FILTER TOP T25    |
| 25   | 33515500 | 1         | FITT.DK NUT LOCK RING T25         |
| 26   | 44076200 | 1         | SCREW WN5451 5X16 SS TORX         |
| 27   | 72700600 | 1         | FILTER IN-LINE 80 MESH, T25       |
| 28   | 92702103 | 1         | HOSE R X1/2" X300PSI WP X0012"    |
| 28   | 92703203 | 1         | HOSE R X3/4" X300PSI WP X0012"    |



**K0471**



FOAM MARKER - RICHWAY  
COMMANDER  
K0471-HIN, 22:10:18

Page 1  
Date 12.08.2020 9:04

| Pos. | parts-n° | order qty | description   |
|------|----------|-----------|---|
| 1    | 145995   | 1         | FITT.DK S-53 FORK   |
| 2    | 284227   | 1         | BALL VALVE 1/2"FEMALE THREADS   |
| 3    | 320283   | 1         | FITT.DK NUT 3/4"BSP   |
| 4    | 321742   | 1         | FITT.DK BULKHEAD 1/2' BSP   |
| 5    | 322352   | 1         | FITT.DK S-53 TEE  |
| 6    | 420582   | 1         | BOLT HEX 8.8 DEL M8X20 FT A2  |
| 7    | 420604   | 1         | BOLT HEX 8.8 DEL M10X25 FT DIN933                                     |
| 8    | 440737   | 1         | BOLT CARRIAGE M10x25 SS   |
| 9    | 460143   | 1         | LOCK NUT M8 SST A2 DIN985   |
| 10   | 460423   | 1         | NUT HEX M10X1.50 LOCK DIN985A2 SS                                     |
| 11   | 460703   | 1         | NUT HEX M12X1.75 LOCK DIN985A2 SS                                     |
| 12   | 470046   | 1         | WASHER D18D11X1 LOCK  |
| 13   | 470901   | 1         | WASHER D11.8/D6.1X1.6 SS LOCK   |
| 14   | 471126   | 1         | WASHER, M8, Ø16/ 8.4X 1.6, SS   |
| 15   | 471127   | 1         | WASHER, M12, Ø24/13X24X2.5 SS   |
| 16   | 717426   | 1         | FITT.DK REDUC 1/4"BSP F.3/4"N   |
| 17   | 726694   | 1         | PLUG,S53,1/2"FBSP THD W.ORING   |
| 18   | 845219   | 1         | FILTER IN-LINE 3/4'80 MESH OML  |
| 19   | 16184403 | 1         | FOAM M. COMPRESSOR HANGER   |
| 20   | 16184603 | 1         | FOAM M. COMPRESSOR SHIM   |
| 21   | 16321500 | 1         | LINE FILTER BRACKET, TDZ/DDZ  |
| 22   | 23004703 | 1         | FITT, 1/4"NPT-3/8"90-PTC  |
| 23   | 23004803 | 1         | FITT, 1/2"MPT-3/8"FPT REDUCER   |
| 24   | 23004903 | 1         | FITT, 1/4"PLUG-IN-1/4"90-PTC  |
| 25   | 23005003 | 1         | FITT, 3/8"PLUG-IN-3/8"90-PTC  |
| 26   | 23005103 | 1         | FITT, 3/8"NPT-3/8"90-PTC  |
| 27   | 26029503 | 1         | MODULE, CONTROL, FOAM MARKER, RICHWAY                                 |
| 28   | 26029603 | 1         | RELAY, 12VDC, RICHWAY   |
| 29   | 26029703 | 1         | POTENTIOMETER, FOAM MARKER, RICHWAY                                   |
| 30   | 28064703 | 1         | FOAM MARKER CONC. TANK,RICHWAY  |
| 31   | 28064803 | 1         | FOAM MARKER CONT.CABLE,RICHWAY  |
| 32   | 28086403 | 1         | STEEL BODY, FOAM MARKER, RICHWAY                                      |
| 33   | 28086503 | 1         | STEEL LID, FOAM MARKER, RICHWAY                                       |
| 34   | 28086603 | 1         | WATER PUMP, FOAM MARKER, RICHWAY                                      |
| 34   | 28102303 | 1         | RICHWAY WATER PUMP GEAR MOTOR ONLY                                    |
| 35   | 28086703 | 1         | 1/4" PUMP TUBE, WATER, FOAM MARKER, RICHWAY                           |
| 36   | 28086803 | 1         | CONCENTRATE PUMP, FOAM MARKER, RICHWAY                                |
| 37   | 28086903 | 1         | 1/8" PUMP TUBE, CONCENTRATE, FOAM MARKER, RICHWAY                     |
| 38   | 28087003 | 1         | 2-WAY SOLENOID VALVE, FOAM MARKER, RICHWAY                            |
| 39   | 28087103 | 1         | RHD-VTD SOLENOID BLOCK, FOAM MARKER, RICHWAY                          |
| 40   | 28087203 | 1         | DIAPHRAGM AIR COMPRESSOR, FOAM MARKER, RICHWAY                        |
| 41   | 28087403 | 1         | 3/8" CHECK VALVE, FOAM MARKER, RICHWAY                                |
| 42   | 28087603 | 1         | 1 GALLON TANK CAP, FOAM MARKER, RICHWAY                               |
| 43   | 28087703 | 1         | 1 GALLON TANK SCREEN, FOAM MARKER, RICHWAY                            |
| 44   | 28094103 | 1         | FITT.1/4" STEM X 1/4" HOSE BARB                                       |
| 45   | 28095803 | 1         | 3/8"T BULKHEAD  |
| 46   | 28095903 | 1         | 1/4"T BULKHEAD  |
| 47   | 28096403 | 1         | 1/4" STEM X 3/16" HB  |
| 48   | 28096503 | 1         | 3/8" STEM X 1/4"T   |
| 49   | 28097103 | 1         | POWER UNIT HARNESS, RICHWAY TRAILER<br>INSIDE WIRING HARNESS COMPLETE |
| 50   | 28102103 | 1         | RICHWAY #23 QUICK CLAMP   |
| 51   | 28102203 | 1         | RICHWAY #26 QUICK CLAMP   |
| 52   | 28102403 | 1         | RICHWAY TANK CAP GASKET   |
| 53   | 41000603 | 1         | BOLT HEX 1/4"X1/2" SS   |
| 54   | 44076200 | 1         | SCREW WN5451 5X16 SS TORX   |
| 55   | 45001300 | 1         | CARRIAGE BOLT M12X35 DIN603 A2  |
| 56   | 61020003 | 1         | BRKT, FOAM MARKER F.COM, RICHWAY                                      |
| 57   | 72114300 | 1         | FITT. DK S-53 MALE MALE W.ORIN  |
| 58   | 92703303 | 1         | HOSE LLDPE .25"X.17"X12" BLACK  |
| 59   | 92703403 | 1         | HOSE LLDPE .38"X.25"X12" BLACK  |

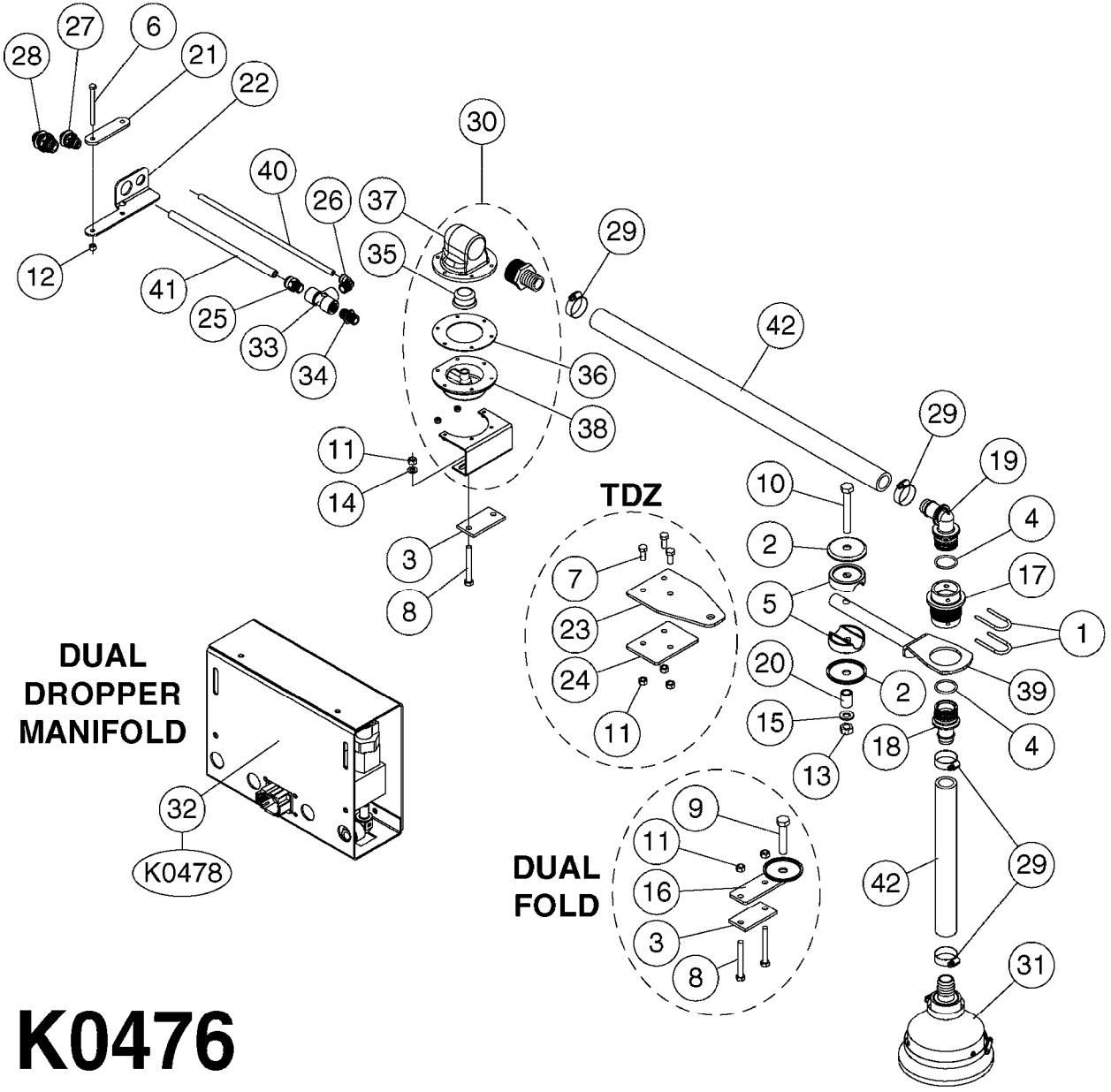




FOAM MARKER - RICHWAY  
COMMANDER  
K0471-HIN, 22:10:18

Page 2  
Date 12.08.2020 9:04

| Pos. | parts-n° | order<br>qty | description                  |
|------|----------|--------------|------------------------------|
| 60   | 92712403 | 1            | HOSE R X1" X300PSI WP X0012" |



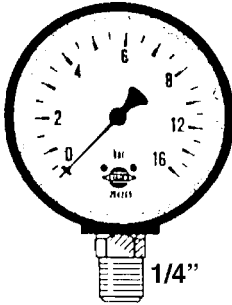
**K0476**



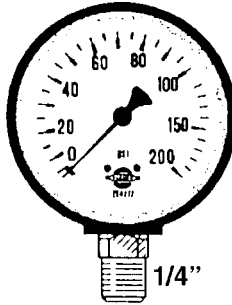
FOAM MARKER - DROPPER RICHWAY  
K0476-HIN, 26:02:18

Page 1  
Date 12.08.2020 9:04

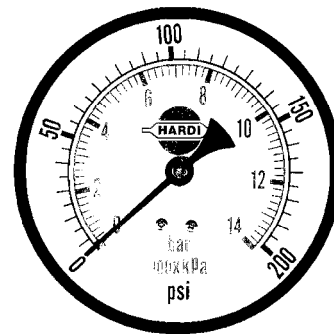
| Pos. | parts-n° | order qty | description                                   |
|------|----------|-----------|---|
| 1    | 145995   | 1         | FITT.DK S-53 FORK                             |
| 2    | 160775   | 1         | WASHER F. FRICTION PLATE                      |
| 3    | 172664   | 1         | FLATBAR BACKING PLATE                         |
| 4    | 242109   | 1         | O-RING D32.2x3.0                              |
| 4    | 242354   | 1         | O-RING D32.2X3.0 VITON                        |
| 5    | 330831   | 1         | FRICTION PLATE                                |
| 6    | 410605   | 1         | BOLT HEX 8.8 DEL M6X80                        |
| 7    | 420582   | 1         | BOLT HEX 8.8 DEL M8X20 FT A2                  |
| 8    | 421201   | 1         | BOLT HEX 8.8 DEL M8X70                        |
| 9    | 430323   | 1         | BOLT HEX 8.8 DEL M12X60                       |
| 10   | 430924   | 1         | BOLT HEX 8.8 DEL M12 X 85                     |
| 11   | 460143   | 1         | LOCK NUT M8 SST A2 DIN985                     |
| 12   | 460261   | 1         | NUT HEX M6X1.00 LOCK DIN985 A2 SS             |
| 13   | 460703   | 1         | NUT HEX M12X1.75 LOCK DIN985A2 SS             |
| 14   | 471126   | 1         | WASHER, M8, Ø16/ 8.4X 1.6, SS                 |
| 15   | 471127   | 1         | WASHER, M12, Ø24/13X24X2.5 SS                 |
| 16   | 611671   | 1         | BREAK AWAY HOLDER F-MARKER                    |
| 17   | 726463   | 1         | FITT.DK S53 BULKHEAD W/GASKET                 |
| 18   | 726559   | 1         | FITT DK. S-53 HB 1" W/O-RING                  |
| 19   | 726571   | 1         | FITT.DK S-53 ELB.1", W ORING                  |
| 20   | 14103900 | 1         | BUSHING Ø19/Ø13 L=26.5<br>SPC/FTZ BOOMS ONLY  |
| 21   | 16022403 | 1         | BRACKET 60MM TUBE                             |
| 22   | 16162903 | 1         | BRKT, FOAM LINE DISCONNECT                    |
| 23   | 16169803 | 1         | BRACKET, TDZ FOAM MARKER MOUNT                |
| 24   | 16170003 | 1         | PLATE, TDZ FOAM MARKER MOUNT BACKER           |
| 25   | 23004303 | 1         | FITT, 3/8"NPT-3/8"TUBE-PTC                    |
| 26   | 23004403 | 1         | FITT, 3/8"NPT-1/4"90-PTC                      |
| 27   | 23004503 | 1         | FITT, BULKHEAD-1/4" TUBE-PTC                  |
| 28   | 23004603 | 1         | FITT, BULKHEAD-3/8" TUBE-PTC                  |
| 29   | 28030003 | 1         | CLAMP HOSE GEAR P1" 6716                      |
| 30   | 28064903 | 1         | FOAMHEAD ASSEMBLY, RICHWAY                    |
| 31   | 28065003 | 1         | COLLECTOR HEAD ASSY, RICHWAY                  |
| 32   | 28065103 | 1         | DUAL DROP MANIFOLD, RICHWAY                   |
| 33   | 28066303 | 1         | FITT, BANJO, 3/8" TEE                         |
| 34   | 28066403 | 1         | FITT, BANJO, 3/8"-3/8" STR NIP                |
| 35   | 28087803 | 1         | 3/8" FOAMHEAD SCREEN, FOAM MARKER, RICHWAY    |
| 36   | 28087903 | 1         | FOAMHEAD GASKET, FOAM MARKER, RICHWAY         |
| 37   | 28088003 | 1         | FOAMHEAD TOP HOUSING, FOAM MARKER, RICHWAY    |
| 38   | 28088103 | 1         | FOAMHEAD BOTTOM HOUSING, FOAM MARKER, RICHWAY |
| 39   | 61065900 | 1         | BRACKET FOR FOAM DROPPER, S53                 |
| 40   | 92703303 | 1         | HOSE LLDPE .25"X.17"X12" BLACK                |
| 41   | 92703403 | 1         | HOSE LLDPE .38"X.25"X12" BLACK                |
| 42   | 92712403 | 1         | HOSE R X1" X300PSI WP X0012"                  |



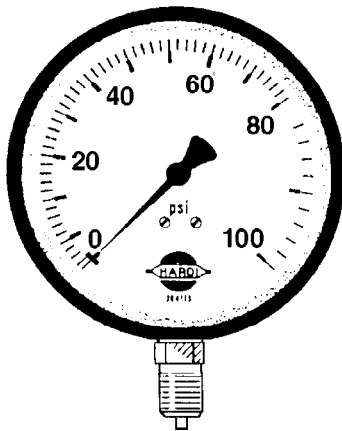
284269  
0-8-16 bar  
BRASS  
2.5" GAUGE



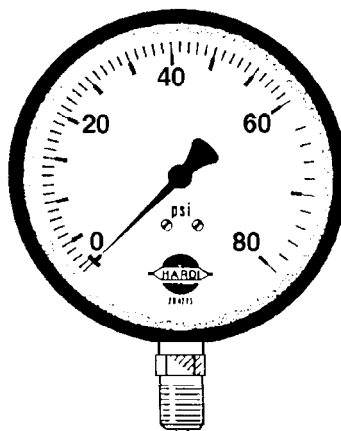
28026203  
0-100-200 psi  
STAINLESS  
2.5" GAUGE



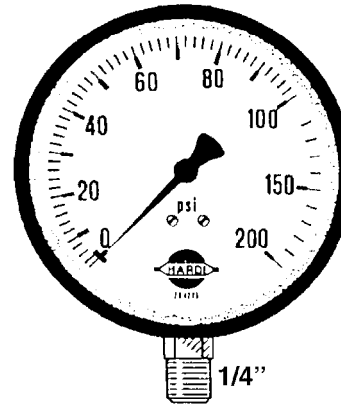
28014403  
200 psi (14 bar)  
STAINLESS  
4" GAUGE



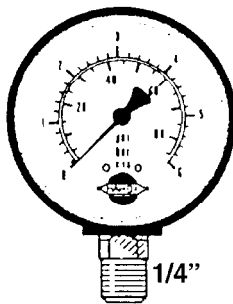
844086  
100 bar (1400 psi)  
BRASS  
2.5" GAUGE



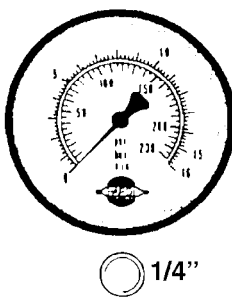
844088  
80 bar (1200 psi)  
STAINLESS  
1.5" GAUGE



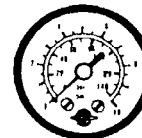
28026103  
0-100-200 psi  
STAINLESS  
4" GAUGE



280637  
6 bar (85 psi)  
BRASS  
2.5" GAUGE



283754  
16 bar (230 psi)  
BRASS  
2.5" GAUGE



844082  
10 bar (140 psi)  
BRASS  
1.5" GAUGE

**K0560**

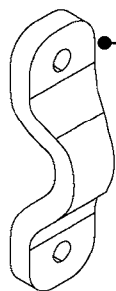


PRESSURE GAUGES  
K0560-HIN, 01:01:16

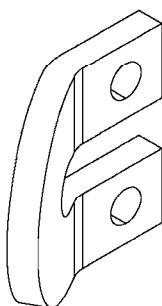
Page 1

Date 12.08.2020 9:04

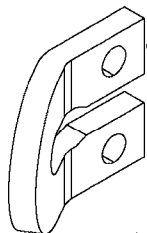
| parts-n° | order qty | description                          |
|----------|-----------|--------------------------------------|
| 280637   | 1         | GAUGE 2.5"BR BOTT.PSI85 BAR6         |
| 283754   | 1         | GAUGE 2.5'BR REAR PSI200 BAR16       |
| 284269   | 1         | PRESSURE GAUGE 0-8-16 BAR Ø2,5" 1/4" |
| 844082   | 1         | GAUGE 1.5'BR REAR PSI140BAR10        |
| 844086   | 1         | GAUGE 2.5'BR BOTT.PSI1000BAR80       |
| 844088   | 1         | GAUGE 2.5'BR BOTT PSI1200BAR80       |
| 28014403 | 1         | GAUGE 4"BR REAR PSI200               |
| 28026103 | 1         | GAUGE 200PSI/BR, 4", 1/4"BSP-BTM     |
| 28026203 | 1         | GAUGE 200PSI/BR, 2.5"1/4BSP-BTM      |



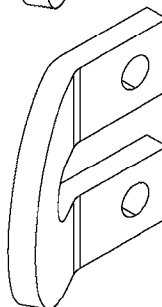
16023103: CM1500



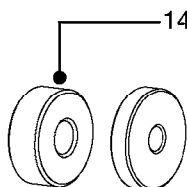
16056103: CM+1200



16056003: CM+750

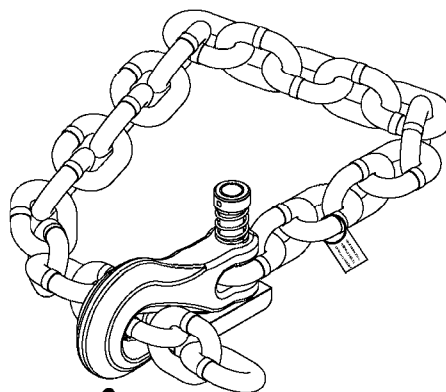


16020303: NEW NAV1100  
NEW NAV575  
TR/PS/NS

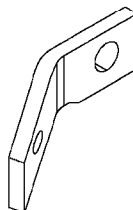


14001103: NAV550/800/1000

14001203: NAV550/800/1000



28017703: CM+1200/CM1500  
29000403: CM+750/NAVM/NAV575/TR/PS/NS  
28014703: NEW NAV1100



10275803: TR300/500

COMPLETE ASSEMBLIES:

- 70016803: CM1500
- 83312203: CM+1200
- 83312103: CM+750
- 83312003: NEW NAV1100
- 83311903: NEW NAV575
- 70012403: NAV550/800/1000
- 10276003: TR300/500

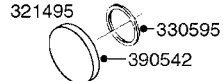
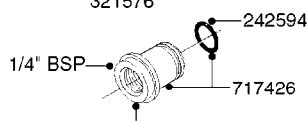
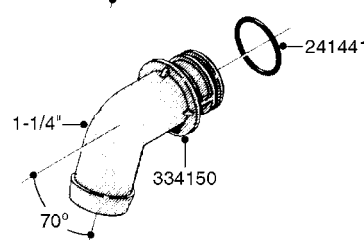
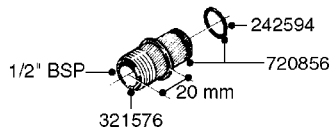
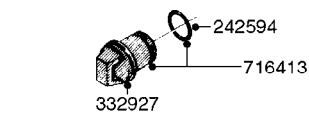
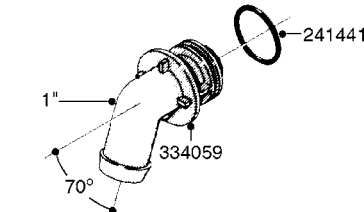
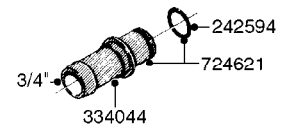
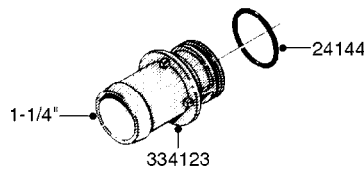
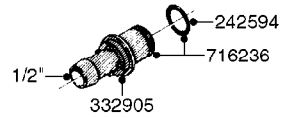
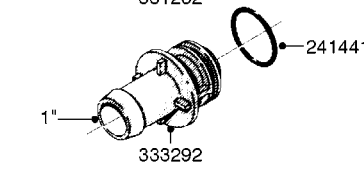
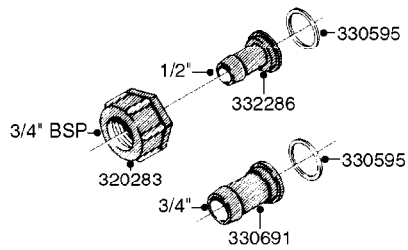
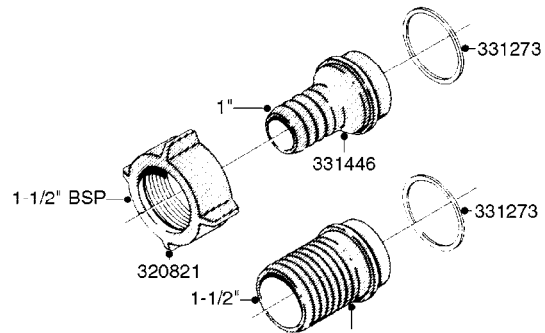
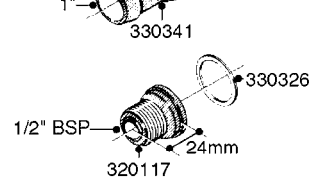
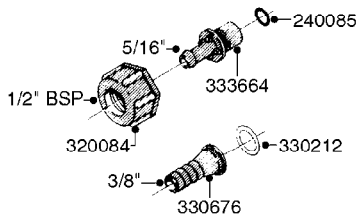
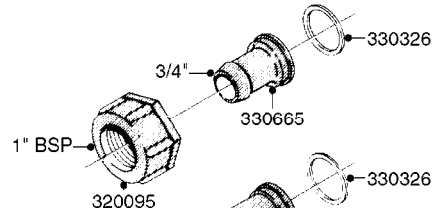
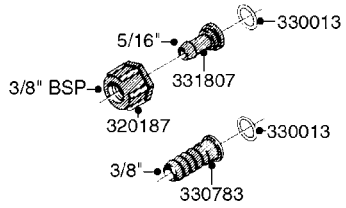
# K0770



SAFETY CHAINS  
K0770-HIN, 01:01:16

Page 1  
Date 12.08.2020 9:04

| parts-n° | order qty | description                    |
|----------|-----------|--------------------------------|
| 10275803 | 1         | CHAIN BKT. FOR TR300/500/TX650 |
| 10276003 | 1         | SAFETY CHAIN KIT TR300/500     |
| 14001103 | 1         | MOUNTING HUB F. SAFETY CHAIN   |
| 14001203 | 1         | MNT WASHER F. SAFE CHAIN KIT   |
| 16020303 | 1         | SAFETY CHAIN MNT.BRKT.30,400LB |
| 16023103 | 1         | SAFETY CHAIN MNT.BRKT.40,500LB |
| 16056003 | 1         | SAFETY CHAIN MNT.BRKT.16100 lb |
| 16056103 | 1         | SAFETY CHAIN MNT.BRKT.40500 lb |
| 28014703 | 1         | SAFETY CHAIN 30,400LBS CERT.   |
| 28017703 | 1         | SAFETY CHAIN 40,500LBS CERT.   |
| 29000403 | 1         | SAFETY CHAIN CERT 16100LB      |
| 70012403 | 1         | *SAFETY CHAIN KIT 16100LB NAV  |
| 70016803 | 1         | SAFETY CHAIN KIT CM1500        |
| 83311903 | 1         | SAFETY CHAIN KIT 575 NAV.      |
| 83312003 | 1         | SAFETY CHAIN KIT 1100 NAV.     |
| 83312103 | 1         | SAFETY CHAIN KIT CM+750        |
| 83312203 | 1         | SAFETY CHAIN KIT CM+1200       |

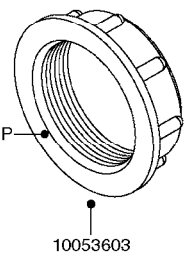
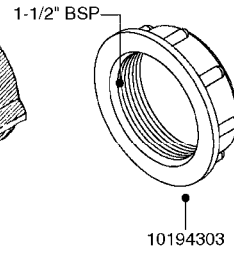
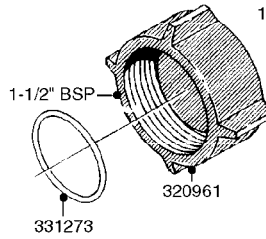
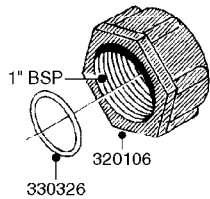
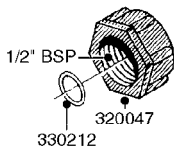
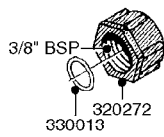
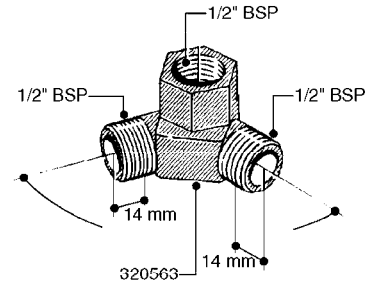
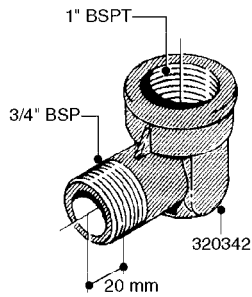
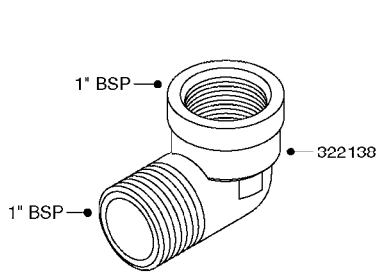
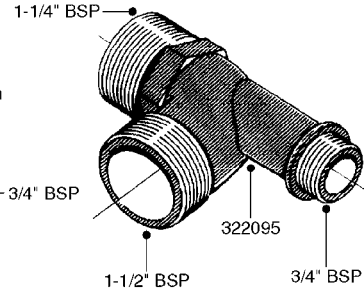
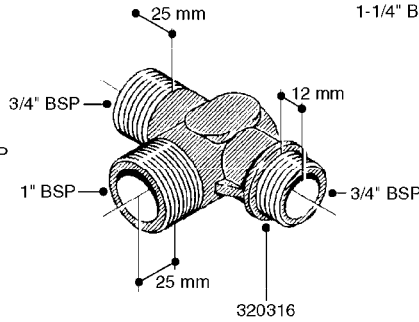
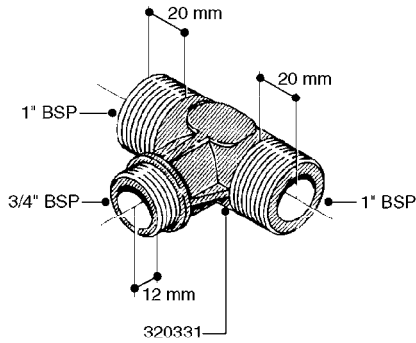
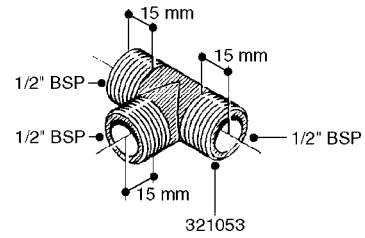
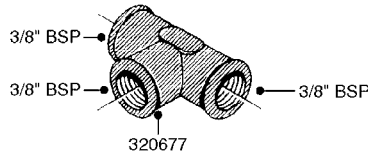
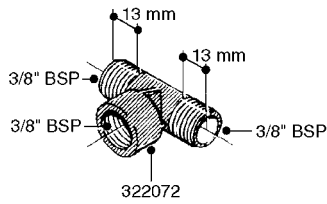


**L0010**





| parts-n° | order qty | description                     |
|----------|-----------|---------------------------------|
| 240085   | 1         | O-RING D13,1/8,3X02,4 NITRIL    |
| 241441   | 1         | O-RING D29.3X3                  |
| 242594   | 1         | O-RING D14 X 1.78 SCH.70-EPDM   |
| 320084   | 1         | FITT.DK NUT 1/2" BSP            |
| 320095   | 1         | FITT.DK NUT 1" BSP              |
| 320117   | 1         | FITT.DK CONN.1/2"BSP F. 1" CAP  |
| 320187   | 1         | FITT.DK CAP 3/8" BSP BLACK      |
| 320283   | 1         | FITT.DK NUT 3/4"BSP             |
| 320821   | 1         | FITT.DK NUT 1-1/2" BSP          |
| 321495   | 1         | FITT.DK REDUC 1/4'BSP F.3/4'NT  |
| 321576   | 1         | FITT.DK CONN 1/2"BSP F.3/4"NUT  |
| 330013   | 1         | O-RING 2.5 X 10 PUR             |
| 330212   | 1         | O-RING D19/D14X2.4 F.1/2"NUT    |
| 330326   | 1         | O-RING D30/D24X2 F.1"NUT        |
| 330341   | 1         | FITT.DK HB 1" F. 1" NUT         |
| 330595   | 1         | O-RING D24.6/D20X2.1 -3/4"      |
| 330665   | 1         | FITT.DK HB 3/4"F.1" NUT         |
| 330676   | 1         | FITT.DK HB 3/8" F. 1/2" NUT     |
| 330687   | 1         | FITT.DK HB 1/2" F. 1/2" NUT     |
| 330691   | 1         | FITT.DK HB 3/4'F.3/4' NUT       |
| 330783   | 1         | FITT.DK HB 3/8"F.3/8" NUT       |
| 331262   | 1         | FITT.DK HB 1-1/2" F. 1-1/2"NUT  |
| 331273   | 1         | O-RING D44/D38X2 F.1-1/2"       |
| 331446   | 1         | FITT.DK HB 1" F.1-1/2" NUT      |
| 331807   | 1         | FITT.DK HB 5/16" F.3/8" NUT     |
| 332286   | 1         | FITT.DK HB 1/2" F. 3/4" NUT     |
| 332905   | 1         | FITT.DK HB 1/2" F. 3/4" CAP     |
| 332927   | 1         | FITT.DK PLUG F. NOZZLE TUBE     |
| 333292   | 1         | FITT.DK HB 1"O'RING F.1-1/2"    |
| 333664   | 1         | FITT.DK HB 5/16' F. 1/2' NUT    |
| 334044   | 1         | FITT.DK HB 3/4' F. 3/4' CAP     |
| 334059   | 1         | FITT.DK EL 1" 110 DEG.F.1-1/2"  |
| 334123   | 1         | FITT.DK HB 1-1/4"O-RNG F.1-1/2" |
| 334150   | 1         | FITT.DK HB 1-1/4" 110 F.1-1/2"  |
| 390542   | 1         | PLUG WASHER FOR 3/4'CAP NUT     |
| 716236   | 1         | FITT.DK HB 1/2" ASSY. F. 3/4"   |
| 716413   | 1         | FITT.DK PLUG ASSY. F.NOZ TUBE   |
| 717426   | 1         | FITT.DK REDUC 1/4"BSP F.3/4"N   |
| 720856   | 1         | FITT.DK 1/2'BSP ASSY.F.3/4'NUT  |
| 724621   | 1         | FITT.DK HB 3/4"ASSY F.3/4" NUT  |



# L0020

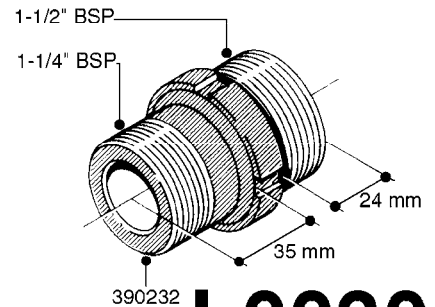
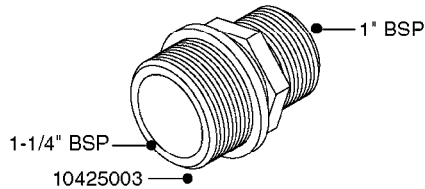
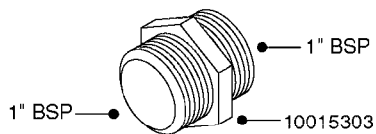
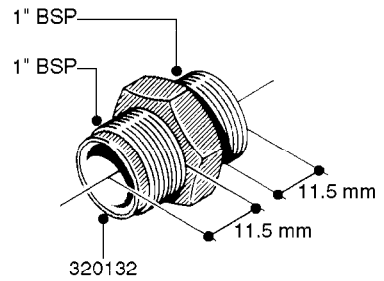
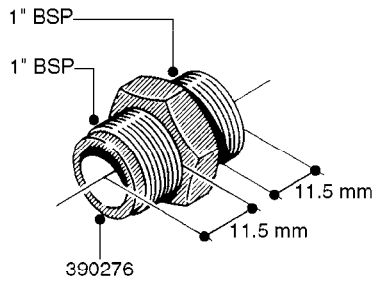
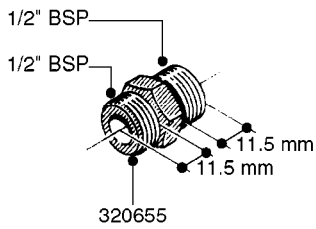
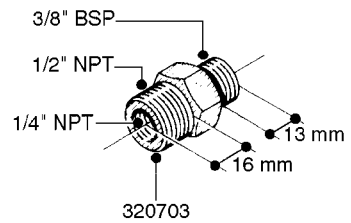
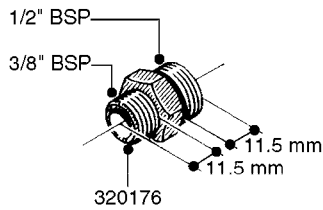
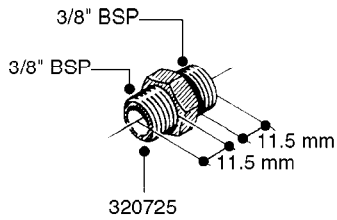
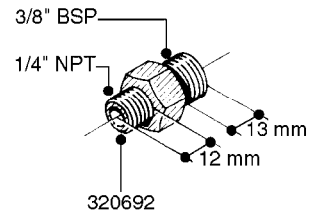
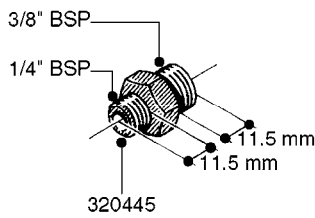
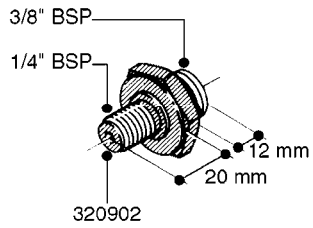


FITTINGS-T-PIECES, CAPS & ELBOWS  
L0020-HIN, 01:01:16

Page 1

Date 12.08.2020 9:04

| parts-n° | order qty | description                        |
|----------|-----------|------------------------------------|
| 10053603 | 1         | FITT. CAPNUT 2"BSP 5601            |
| 10194303 | 1         | CAP BLANK 1 1/2 MCPHEE 210060      |
| 320047   | 1         | FITT.DK CAPNUT 1/2" BSP            |
| 320106   | 1         | FITT.DK CAPNUT 1" BSP              |
| 320272   | 1         | FITT.DK CAPNUT 3/8" BSP            |
| 320316   | 1         | FITT.DK TEE 3/4" X3/4" X1"BSP      |
| 320331   | 1         | FITT.DK TEE 1" - 1" - 3/4" BSP     |
| 320342   | 1         | FITT.DK EL 3/4"M X 1"F BSP         |
| 320563   | 1         | FITT.DK 3 WAY 1/2" 110 DEG.        |
| 320677   | 1         | NO LONGER AVAILABLE                |
| 320961   | 1         | FITT.DK CAPNUT 1-1/2" BSP          |
| 321053   | 1         | FITT.DK TEE 1/2 X1/2 X1/2" BSP     |
| 322072   | 1         | FITT.DK TEE 3/8'X3/8'X3/8' BSP     |
| 322095   | 1         | FITT.DK TEE 1-1/2 X1-1/4 X3/4" BSP |
| 322138   | 1         | FITT.DK ELB 1"M X 1"F BSP          |
| 330013   | 1         | O-RING 2.5 X 10 PUR                |
| 330212   | 1         | O-RING D19/D14X2.4 F.1/2"NUT       |
| 330326   | 1         | O-RING D30/D24X2 F.1"NUT           |
| 331273   | 1         | O-RING D44/D38X2 F.1-1/2"          |



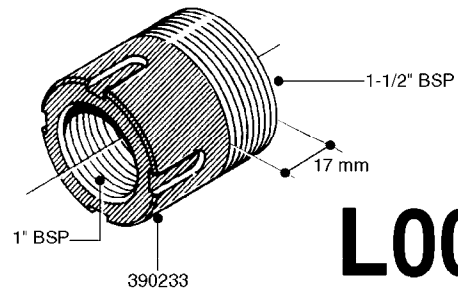
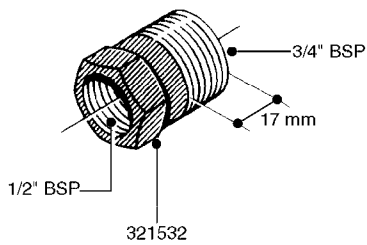
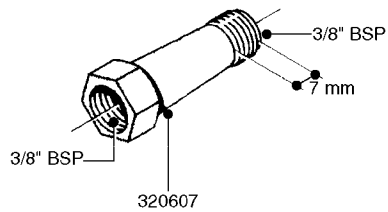
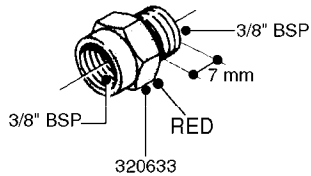
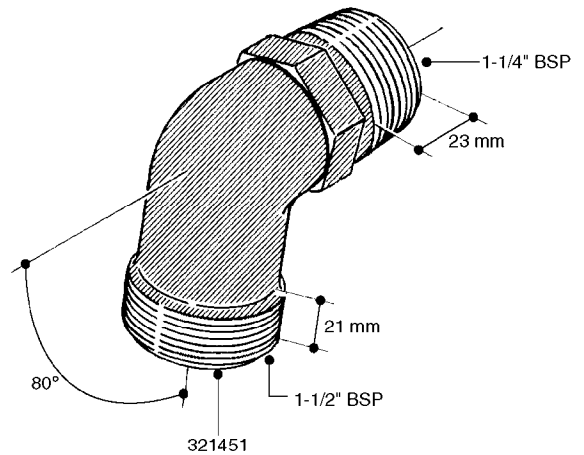
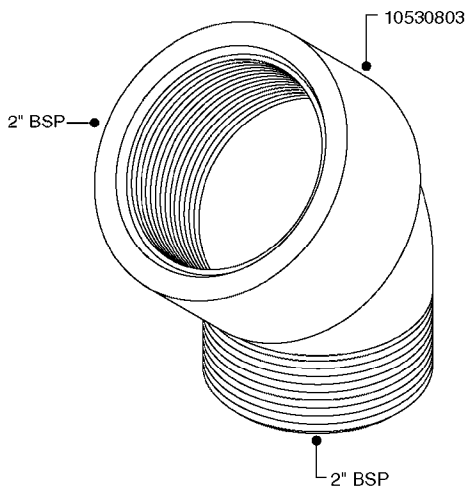
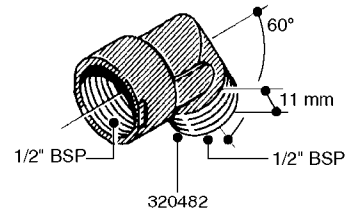
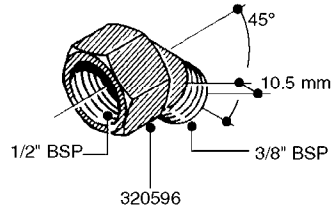
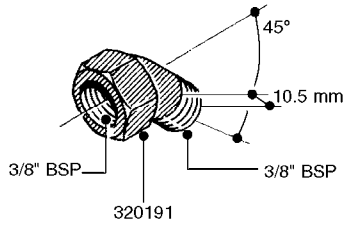
**L0030**



FITTINGS - HEXAGON NIPPLES  
L0030-HIN, 01:01:16

Page 1  
Date 12.08.2020 9:04

| parts-n° | order qty | description                    |
|----------|-----------|--------------------------------|
| 10015303 | 1         | FITT.PO.HN 1.00X1.00 M1000     |
| 10425003 | 1         | FITT.PO.HN 1.25X1.00 MCPHEE    |
| 320132   | 1         | FITT.DK HN 1" BSP              |
| 320176   | 1         | FITT.DK HN 3/8"X1/2" BSP       |
| 320445   | 1         | FITT.DK HN 1/4"X3/8" BSP       |
| 320655   | 1         | FITT.DK HN 1/2"-1/2" BSP       |
| 320692   | 1         | FITT.DK HN 3/8'BSPX1/4'NPT     |
| 320703   | 1         | FITT.DK HN 3/8BSP X1/2 &1/4NPT |
| 320725   | 1         | FITT.DK NIPPLE 3/8"-3/8" BSP   |
| 320902   | 1         | FITT.DK HN 3/8'X 1/4' BSP      |
| 390232   | 1         | FITT.DK HN 1-1/2' X 1-1/4' BSP |
| 390276   | 1         | FITT.DK HN 1'BSP               |



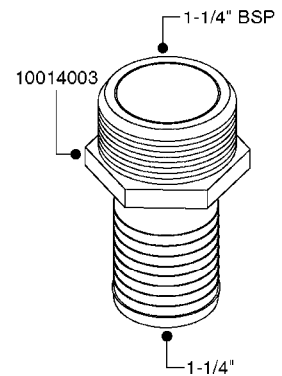
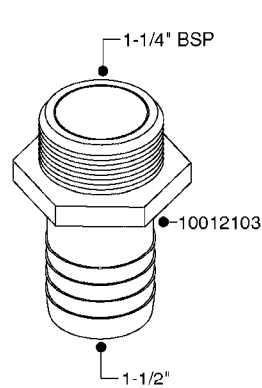
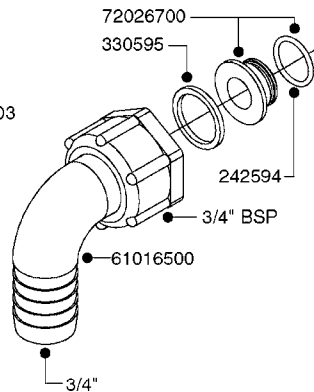
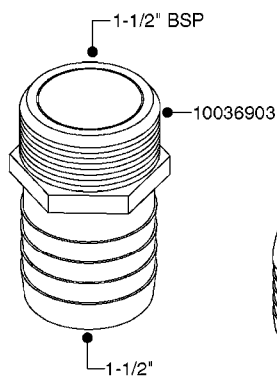
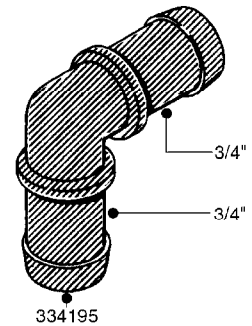
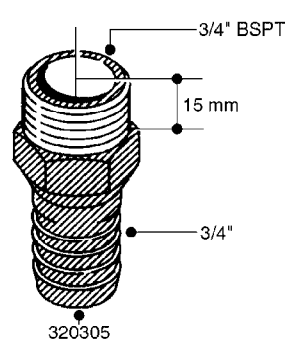
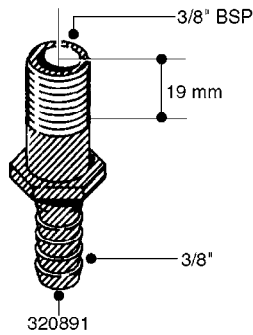
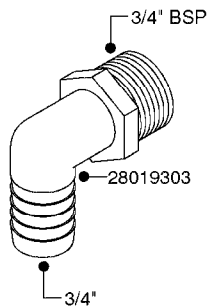
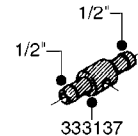
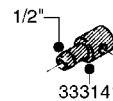
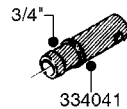
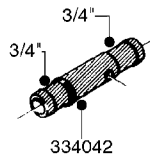
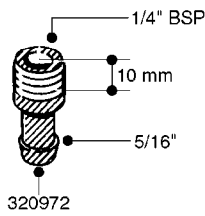
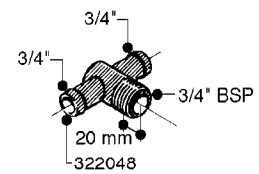
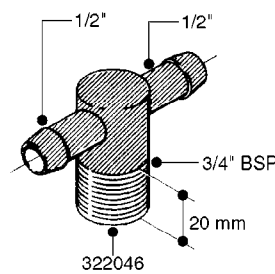
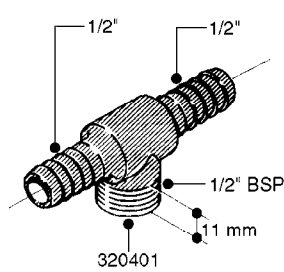
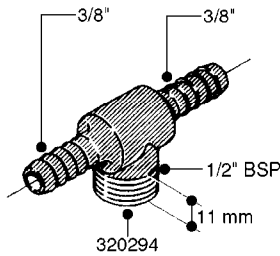
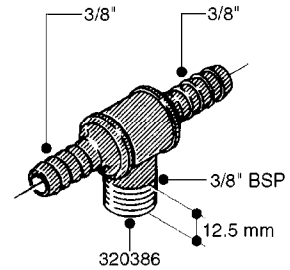
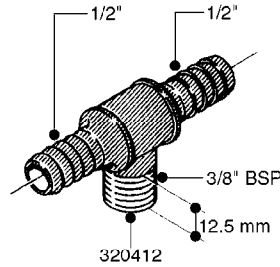
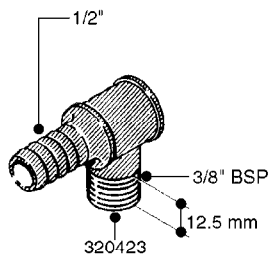
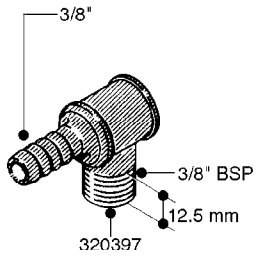
**L0040**



FITTINGS - NIPPLES & ELBOWS  
L0040-HIN, 01:01:16

Page 1  
Date 12.08.2020 9:04

| parts-n° | order qty | description                    |
|----------|-----------|--------------------------------|
| 10530803 | 1         | FITT.PO.SE 2.00X2.00 45 DEG.   |
| 320191   | 1         | FITT.DK ELB 3/8' BSP 45 DEGREE |
| 320482   | 1         | FITT.DK ELB. 1/2" BSP 60 DEG.  |
| 320596   | 1         | FITT.DK ELB 3/8'-1/2'BSP 45DEG |
| 320607   | 1         | FITT.DK HN 3/8M X 3/8F BSP LNG |
| 320633   | 1         | FITT.DK HN 3/8"M X 3/8"F BSP   |
| 321451   | 1         | FITT.DK ELB.1-1/2 X1-1/4 80DEG |
| 321532   | 1         | FITT.DK REDUC 3/4' X 1/2' BSP  |
| 390233   | 1         | FITT.DK REDUC 1-1/2" X 1" BSP  |



**L0050**

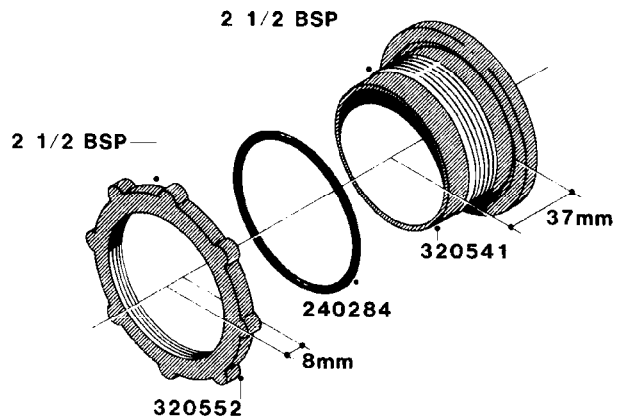
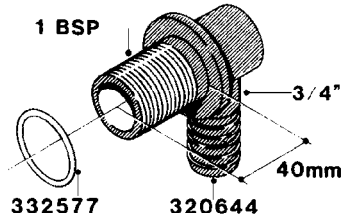
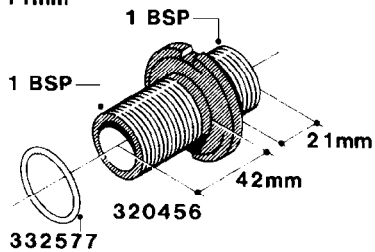
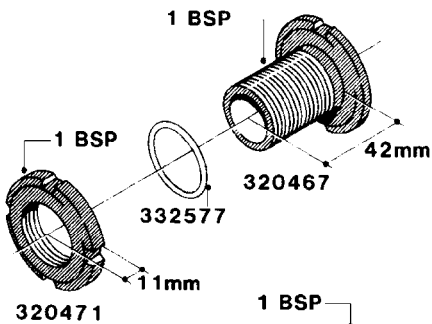
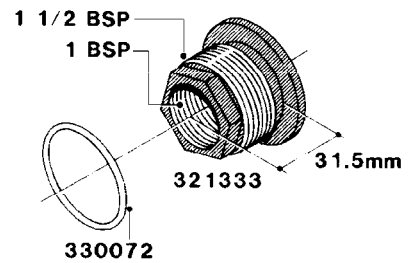
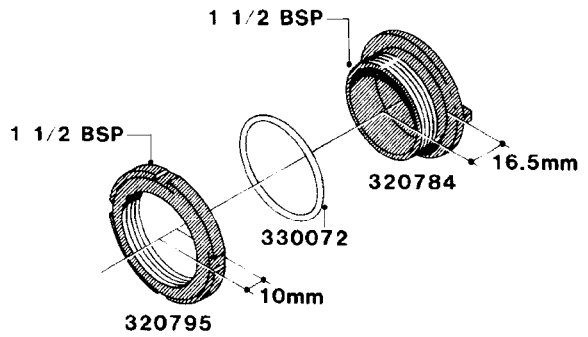
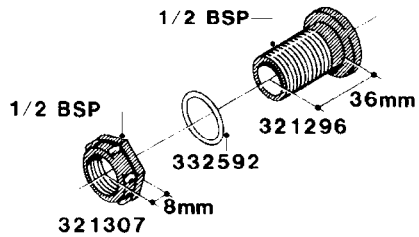
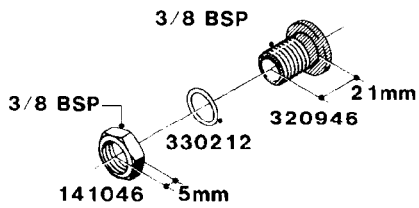
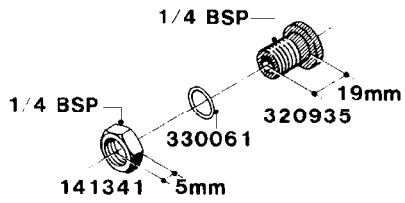




FITTINGS - HOSE CONNECTORS  
L0050-HIN, 01:01:16

Page 1  
Date 12.08.2020 9:04

| parts-n° | order qty | description                    |
|----------|-----------|--------------------------------|
| 242594   | 1         | O-RING D14 X 1.78 SCH.70-EPDM  |
| 320294   | 1         | FITT.DK TEE 3/8X3/8HB X1/2"BSP |
| 320305   | 1         | FITT.DK HB 3/4'- 3/4' BSP      |
| 320386   | 1         | FITT.DK TEE 3/8X3/8HB X3/8"BSP |
| 320397   | 1         | FITT.DK ELB 3/8"HB X 3/8" BSP  |
| 320401   | 1         | FITT.DK TEE 1/2X1/2HB X1/2"BSP |
| 320412   | 1         | FITT.DK TEE 1/2X1/2HB X3/8'BSP |
| 320423   | 1         | FITT.DK ELB 1/2'HB X 3/8' BSP  |
| 320891   | 1         | FITT.DK HB 3/8'- 3/8' BSP      |
| 320972   | 1         | FITT.DK HB 5/16'- 1/4' BSP     |
| 322046   | 1         | FITT.DK TEE 1/2X1/2HB X3/4'BSP |
| 322048   | 1         | FITT.DK TEE 3/4X3/4HB X3/4'BSP |
| 330595   | 1         | O-RING D24.6/D20X2.1 -3/4"     |
| 333137   | 1         | FITT.DK CONN.1/2" F.NOZZ. DOUB |
| 333141   | 1         | FITT.DK CONN.1/2" F.NOZZ.SING  |
| 334041   | 1         | FITT.DK CONN.3/4' F.NOZZ. SING |
| 334042   | 1         | FITT.DK CONN.3/4' F.NOZZ. DOUB |
| 334195   | 1         | FITT.DK ELB. 3/4"HB X 3/4"HB   |
| 10012103 | 1         | FITT.PO.HB 1.25X1.50 IMB1012   |
| 10014003 | 1         | FITT.PO.HB 1.25X1.25 IMB1010   |
| 10036903 | 1         | FITT.PO.HB 1.50X1.50 IMB1212   |
| 28019303 | 1         | FITTING HB ELB 3/4NPT-3/4HOSE  |
| 61016500 | 1         | HOSE TAIL 3/4" 90°+RG CAP 3/4" |
| 72026700 | 1         | NOZZLE TUBE ADAPTER W/O-RING   |



**L0060**

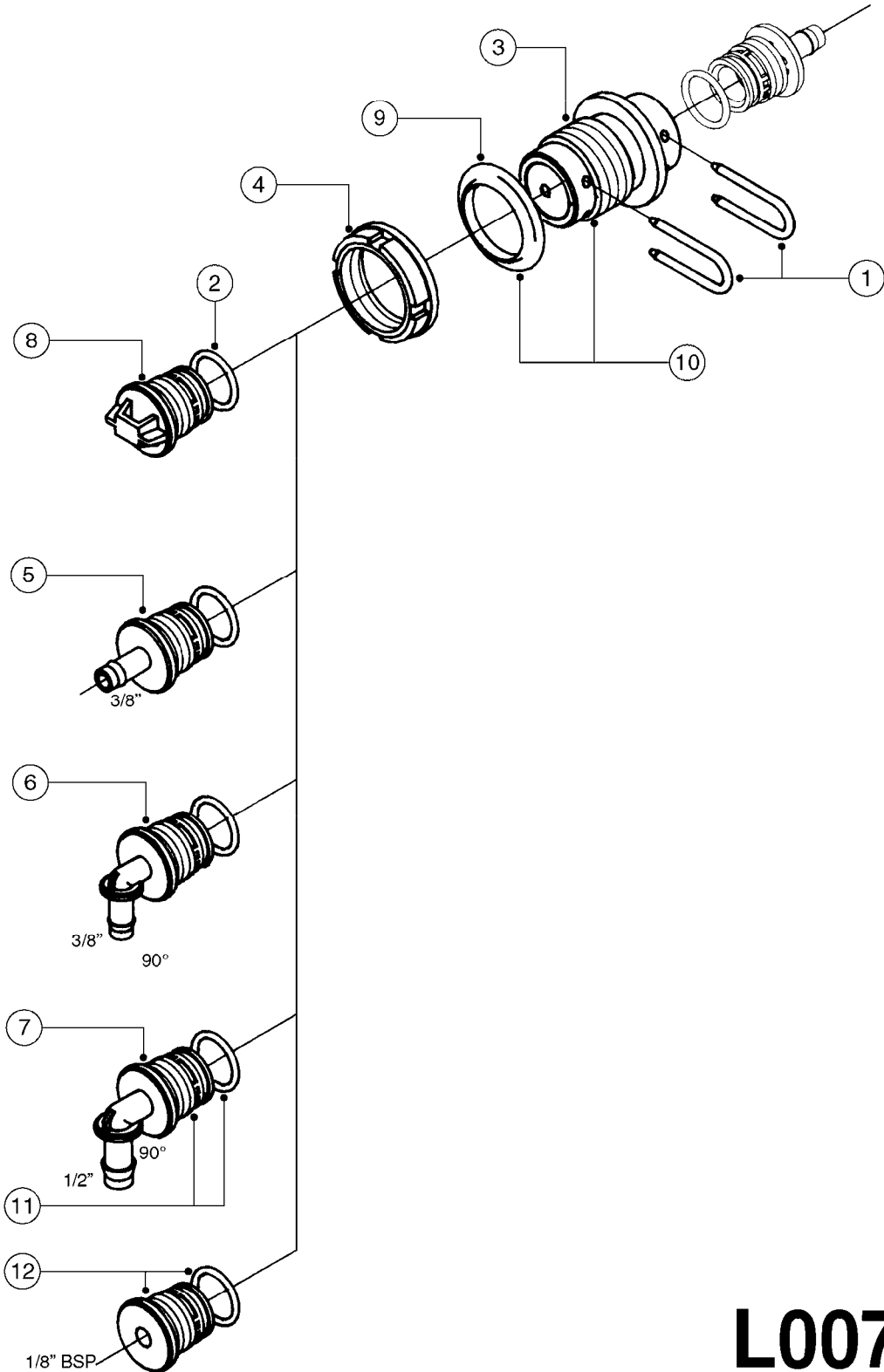


FITTINGS - BULKHEAD  
L0060-HIN, 01:01:16

Page 1

Date 12.08.2020 9:04

| parts-n° | order qty | description                    |
|----------|-----------|--------------------------------|
| 141046   | 1         | NUT 3/8" BSP                   |
| 141341   | 1         | NUT 1/4' BSP                   |
| 240284   | 1         | O-RING D82,5/75 X 3,5          |
| 320456   | 1         | FITT.DK BULKHEAD 1"BSP DOUBLE  |
| 320467   | 1         | FITT.DK BULKHEAD 1"BSP SINGLE  |
| 320471   | 1         | FITT.DK NUT 1" BSP JAMB        |
| 320541   | 1         | FITT.DK BULKHEAD 2-1/2'BSP SIN |
| 320552   | 1         | FITT.DK NUT 2-1/2' BSP JAMB    |
| 320644   | 1         | FITT.DK ELB.3/4"HB X 1" BSP    |
| 320784   | 1         | FITT.DK CAP 1-1/2" BSP         |
| 320795   | 1         | FITT.DK NUT 1-1/2" BSP JAMB    |
| 320935   | 1         | FITT.DK BULKHEAD 1/4' BSP SING |
| 320946   | 1         | FITT.DK BULKHEAD 3/8' BSP SING |
| 321296   | 1         | FITT.DK BULKHEAD 1/2" BSP SING |
| 321307   | 1         | FITT.DK NUT 1/2" BSP JAMB      |
| 321333   | 1         | FITT.DK BULK 1-1/2" X 1"F BSP  |
| 330061   | 1         | O-RING D16/D11X2,5             |
| 330072   | 1         | O-RING D53.5/D45.5X4           |
| 330212   | 1         | O-RING D19/D14X2.4 F.1/2"NUT   |
| 332577   | 1         | O-RING D38/D30X4 F.1" PUR.     |
| 332592   | 1         | O-RING D26/D20X3               |



**L0070**

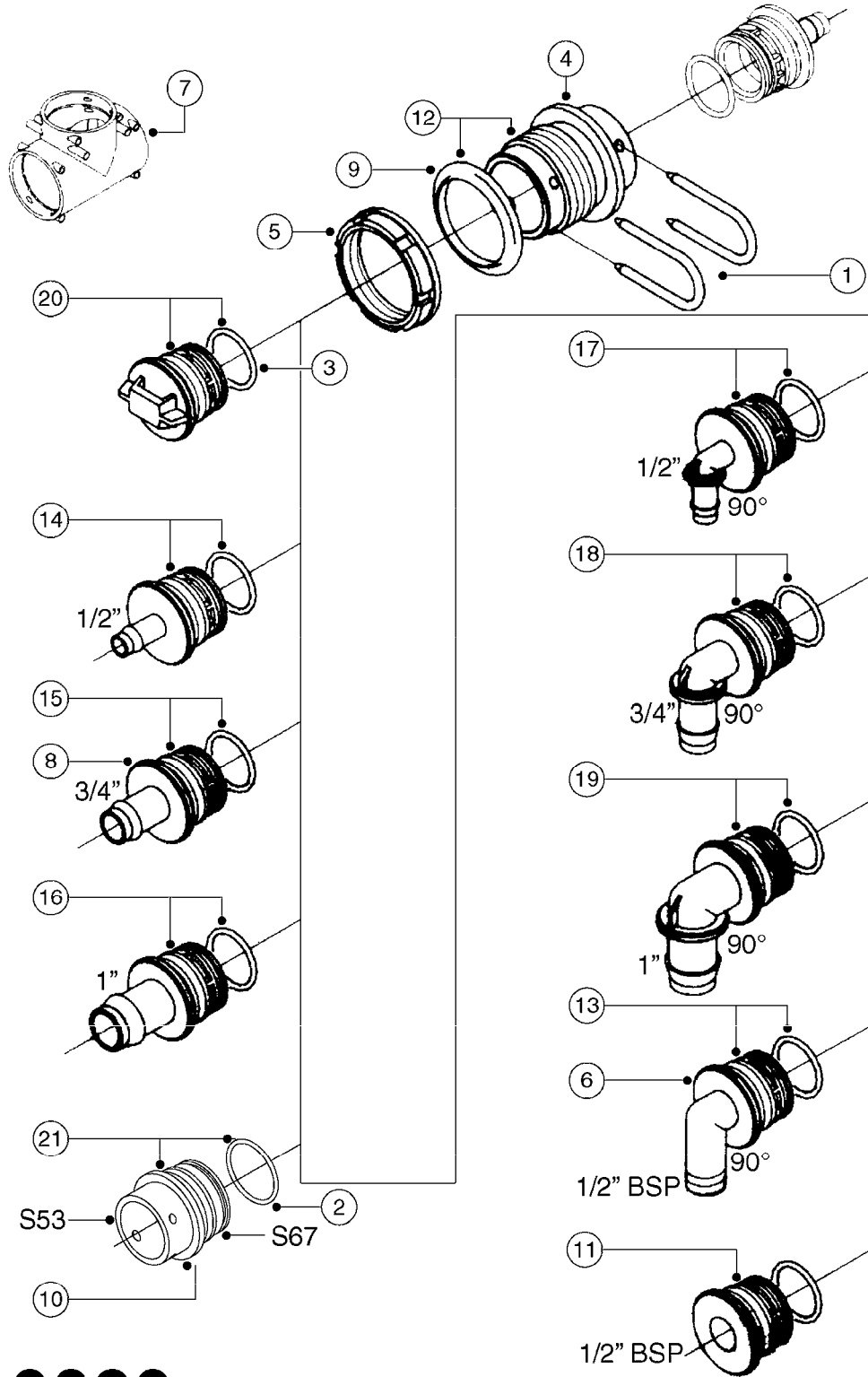


FITTINGS - S-40  
L0070-HIN, 13:09:17

Page 1

Date 12.08.2020 9:04

| Pos. | parts-n° | order qty | description                                    |
|------|----------|-----------|--|
| 1    | 145994   | 1         | FITT.DK S-40 FORK                              |
| 2    | 242108   | 1         | O-RING 3 X 19,2 70SH NITRIL<br>NITRIL (BLACK)  |
| 2    | 242355   | 1         | O-RING D19.2X3.0 VITON F.S-40<br>VITON (BROWN) |
| 3    | 322102   | 1         | FITT.DK S-40 BULKHEAD                          |
| 4    | 322106   | 1         | FITT.DK S-40 BULKHEAD NUT                      |
| 5    | 334225   | 1         | FITT.DK S-40 STR.3/8"                          |
| 6    | 334237   | 1         | FITT.DK S-40 ELB.3/8"                          |
| 7    | 334238   | 1         | FITT.DK S-40 ELB.1/2"                          |
| 8    | 334248   | 1         | FITT.DK S-40 PLUG                              |
| 9    | 334259   | 1         | GASKET F. S-40 BULKHEAD                        |
| 10   | 726462   | 1         | FITT. S40 BULKHEAD W.GASKET                    |
| 11   | 726567   | 1         | FITT.DK S-40 ELB.1/2" W.O-RING                 |
| 12   | 726693   | 1         | FITT.DK S-40 PLUG 1/8BSP ORING                 |



**L0080**

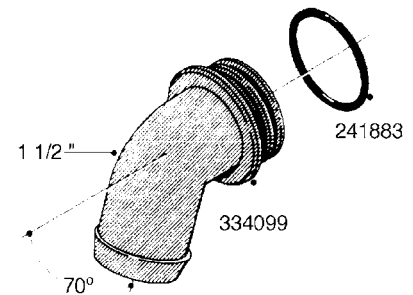
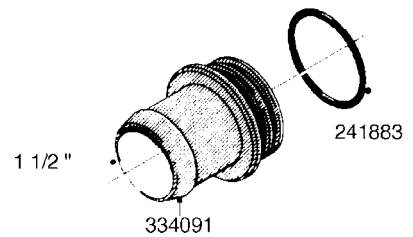
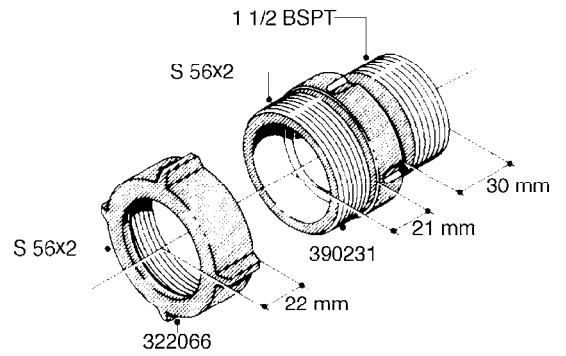
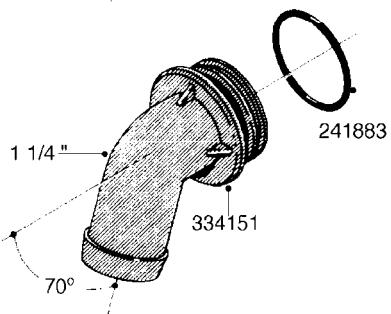
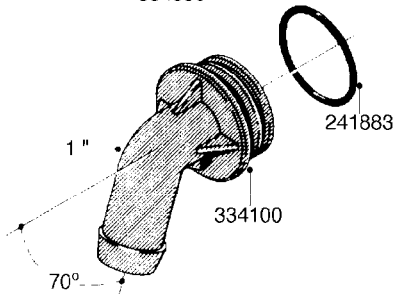
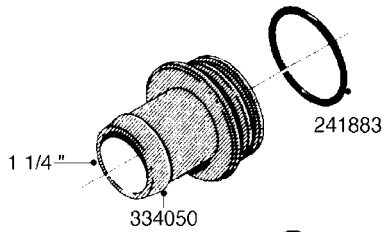
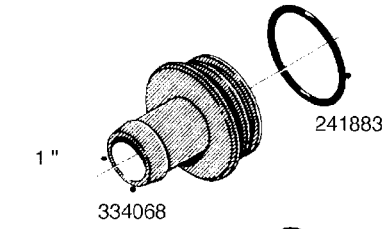
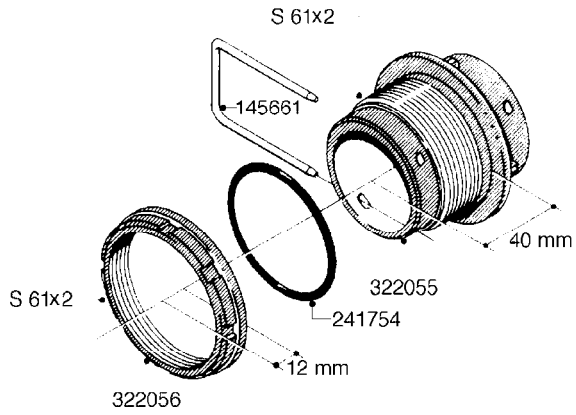


FITTINGS - S-53  
L0080-HIN, 12:09:17

Page 1

Date 12.08.2020 9:04

| Pos. | parts-n° | order qty | description   |
|------|----------|-----------|---|
| 1    | 145995   | 1         | FITT.DK S-53 FORK                                   |
| 2    | 241973   | 1         | O-RING Ø3 X 44.2 70 SHORES NITRIL<br>NITRIL (BLACK) |
| 2    | 242353   | 1         | O-RING 3 X 44.2 VITON<br>VITON (BROWN)              |
| 3    | 242109   | 1         | O-RING D32.2x3.0<br>NITRIL (BLACK)                  |
| 3    | 242354   | 1         | O-RING D32.2X3.0 VITON<br>VITON (BROWN)             |
| 4    | 322103   | 1         | FITT.DK S-53 BULKHEAD                               |
| 5    | 322107   | 1         | FITT.DK S-53 BULKHEAD NUT                           |
| 6    | 322110   | 1         | FITT.DK S-53 ELB. 1/2" BSP                          |
| 7    | 322352   | 1         | FITT.DK S-53 TEE                                    |
| 8    | 334229   | 1         | FITT.DK S-53 STR.3/4"                               |
| 9    | 334260   | 1         | GASKET F. S-53 BULKHEAD                             |
| 10   | 334564   | 1         | FITT.DK S-67 TO S-53 ADAPTER                        |
| 11   | 391100   | 1         | FITT.DK S-53THREAD INS.1/2"BSP                      |
| 12   | 726463   | 1         | FITT.DK S53 BULKHEAD W/GASKET                       |
| 13   | 726552   | 1         | FIT.DK S-53X90 1/2" BSP,O-RING                      |
| 14   | 726556   | 1         | FITT.DK S-53 HB 1/2" W/O-RING                       |
| 15   | 726558   | 1         | FITT.DK S53 STR. 3/4" W.ORING                       |
| 16   | 726559   | 1         | FITT DK. S-53 HB 1" W/O-RING                        |
| 17   | 726568   | 1         | FITT.DK.S-53 HB 1/2"90 W/O-RING                     |
| 18   | 726570   | 1         | FITT.DK S-53 ELB.3/4" W.ORING                       |
| 19   | 726571   | 1         | FITT.DK S-53 ELB.1", W ORING                        |
| 20   | 726578   | 1         | FITT.DK S53 PLUG WITH O-RING                        |
| 21   | 728561   | 1         | FITT.DK. S67M - S53F REDUCER                        |



**L0090**



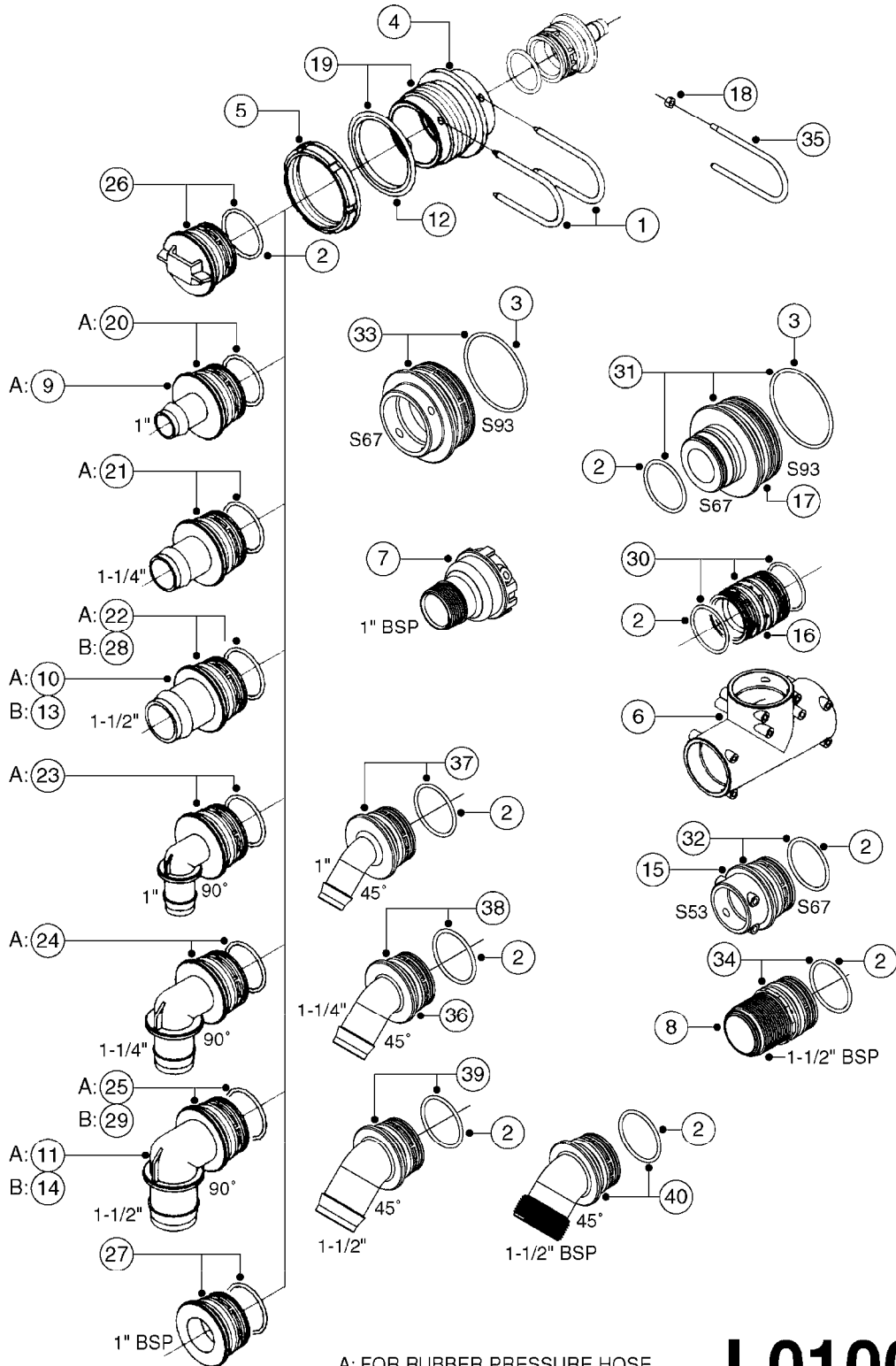


FITTINGS - S-56 & S-61  
L0090-HIN, 01:01:16

Page 1

Date 12.08.2020 9:04

| parts-n° | order qty | description                    |
|----------|-----------|--------------------------------|
| 145661   | 1         | FITT.DK S-61 FORK              |
| 241754   | 1         | O-RING D59.5X3                 |
| 241883   | 1         | O-RING 3 X 39.2 NITRIL         |
| 322055   | 1         | FITT.DK S-61 BULKHEAD          |
| 322056   | 1         | FITT.DK S-61 BULKHEAD NUT      |
| 322066   | 1         | FITT.DK S-56 NUT               |
| 334050   | 1         | FITT.DK S-61 STR.1-1/4"        |
| 334068   | 1         | FITT.DK S-61 STR.1"            |
| 334091   | 1         | FITT.DK S56 STR.1-1/2'         |
| 334099   | 1         | FITT.DK S-61 ELB.1-1/2"110 DEG |
| 334100   | 1         | FITT.DK S-61 ELB.1" 110 DEG.   |
| 334151   | 1         | FITT.DK S-61 ELB.1-1/4"110 DEG |
| 390231   | 1         | FITT.DK NIPPLE 1-1/2 X S56     |



A: FOR RUBBER PRESSURE HOSE  
B: FOR PVC SPIRAL HOSE

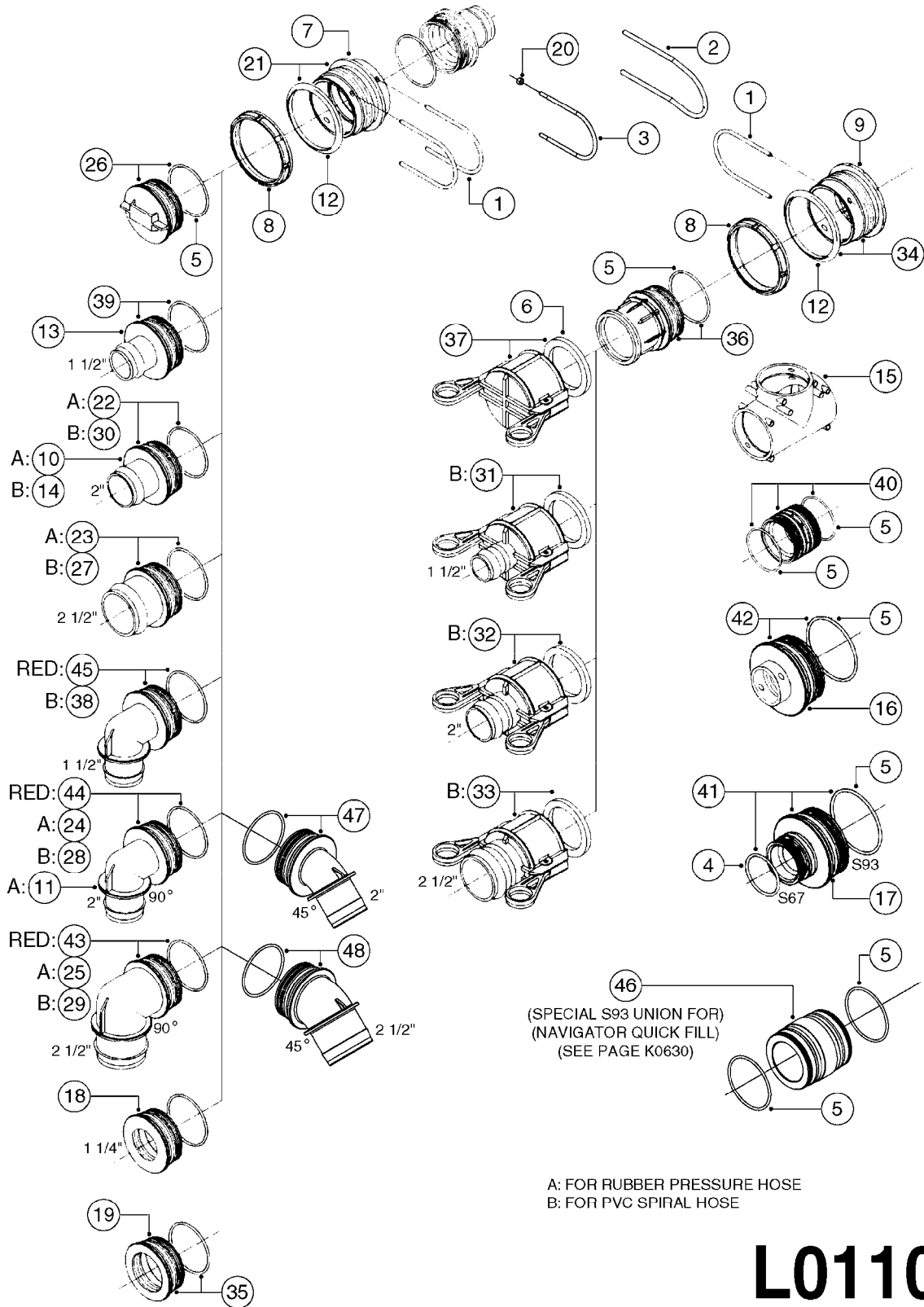
**L0100**



FITTINGS - S-67  
L0100-HIN, 21:06:18

Page 1  
Date 12.08.2020 9:04

| Pos. | parts-n° | order qty | description                                      |
|------|----------|-----------|--|
| 1    | 145996   | 1         | FITT.DK S-67 FORK                                |
| 2    | 241973   | 1         | O-RING Ø3 X 44.2 70 SHORES NITRIL NITRIL (BLACK) |
| 2    | 242353   | 1         | O-RING 3 X 44.2 VITON VITON (BROWN)              |
| 3    | 242092   | 1         | O-RING D69.5X3 NITRIL (BLACK)                    |
| 3    | 242351   | 1         | O-RING D69.5X3.0 VITON F.S-93 VITON (BROWN)      |
| 4    | 322104   | 1         | FITT.DK S-67 BULKHEAD                            |
| 5    | 322108   | 1         | FITT.DK S-67 BULKHEAD NUT                        |
| 6    | 322224   | 1         | FITT.DK S-67 TEE                                 |
| 7    | 322321   | 1         | FITT.DK S-67 X 1"BSP MALE                        |
| 8    | 322325   | 1         | FITT.DK S-67 X 1-1/2"BSP LONG                    |
| 9    | 334231   | 1         | FITT.DK S-67 STR.1"                              |
| 10   | 334233   | 1         | FITT.DK S-67 STR.1-1/2" RUBBER                   |
| 11   | 334245   | 1         | FITT.DK S-67 ELB. 1-1/2"RUBBER                   |
| 12   | 334261   | 1         | GASKET F. S-67 BULKHEAD                          |
| 13   | 334444   | 1         | FITT.DK S-67 STR.1-1/2" PVC                      |
| 14   | 334445   | 1         | FITT.DK S-67 ELB.1-1/2"                          |
| 15   | 334564   | 1         | FITT.DK S-67 TO S-53 ADAPTER                     |
| 16   | 334573   | 1         | FITT.DK S-67 CONNECTOR                           |
| 17   | 334634   | 1         | FITT.DK ADAPTER S-93M S67M                       |
| 18   | 461217   | 1         | NUT HEX M5 LOCK                                  |
| 19   | 726464   | 1         | FITT.DK S-67 BULKHEAD W/GASKET                   |
| 20   | 726560   | 1         | FITT.DK S-67 STR.1" W.O'RING                     |
| 21   | 726561   | 1         | FITT.DK S-67 STR.1-1/4" O-RING                   |
| 22   | 726562   | 1         | FITT.DK.S-67 HB 1-1/2"W.O-RING                   |
| 23   | 726572   | 1         | FITT.DK S-67 1" ELBOW 90 ASSY.                   |
| 24   | 726573   | 1         | FITT. S67 5/4" 90° W/O-RING                      |
| 25   | 726574   | 1         | FITT.DK S67X90,1.5HB PRESSURE                    |
| 26   | 726579   | 1         | FITT. S67 PLUG W/O-RING                          |
| 27   | 726695   | 1         | FITTING S67 - BSP 1" + O-RING                    |
| 28   | 727223   | 1         | FITT.S67 1.5" STRAIT S W/ORING                   |
| 29   | 727224   | 1         | FITT.DK S67X90,1.5HB SUCTION                     |
| 30   | 728526   | 1         | FITT.DK S-67 CONNECT W/O-RINGS                   |
| 31   | 728527   | 1         | ADAPTER S67M TO S93M W/ORING                     |
| 32   | 728561   | 1         | FITT.DK. S67M - S53F REDUCER                     |
| 33   | 728562   | 1         | FITT.DK S-93 TO S67 ADAPTOR                      |
| 34   | 728578   | 1         | FITT.DK S-67X1-1/2"BSP LG W/O-RING               |
| 35   | 14012200 | 1         | FITT.DK S-67 FORK W/M5 THREADS                   |
| 36   | 33509700 | 1         | FITT.DK S-67 45° 1-1/4"                          |
| 37   | 72433000 | 1         | FITT.S67 1" 45° W/O-RING                         |
| 38   | 72433100 | 1         | FITT.DK S-67 45° 1-1/4"W/ORING                   |
| 39   | 72433200 | 1         | FITT.S67 1-1/2" 45°PVC W/O-RING                  |
| 40   | 72433400 | 1         | FITT.S67 1-1/2" 45°BSP W/ORING                   |

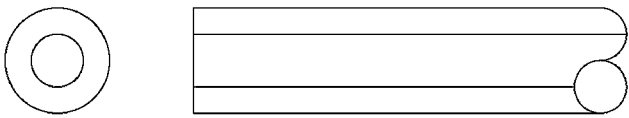
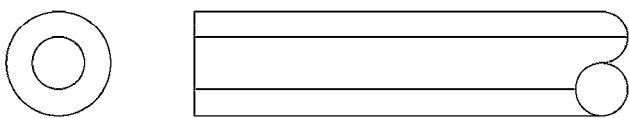
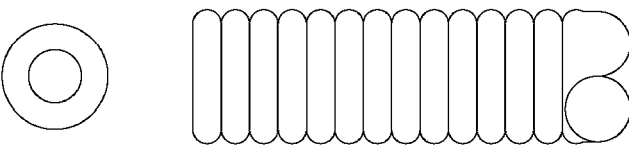
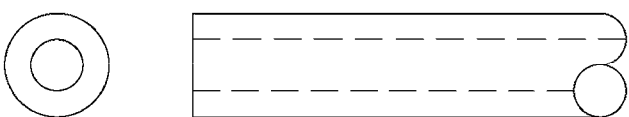
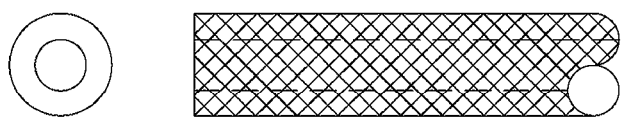
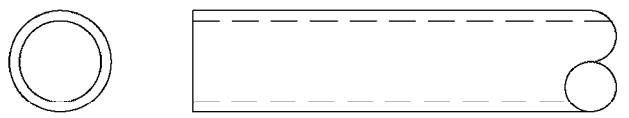


# L0110



| Pos. | parts-n° | order qty | description   |
|------|----------|-----------|---|
| 1    | 145997   | 1         | FITT.DK S-93 FORK                                   |
| 2    | 147115   | 1         | FITT.DK S-93 FORK SPECIAL                           |
| 3    | 147774   | 1         | FITT.DK S-93 FORK W. M5 THREAD                      |
| 4    | 241973   | 1         | O-RING Ø3 X 44.2 70 SHORES NITRIL<br>NITRIL (BLACK) |
| 4    | 242353   | 1         | O-RING 3 X 44.2 VITON<br>VITON (BROWN)              |
| 5    | 242092   | 1         | O-RING D69.5X3<br>NITRIL (BLACK)                    |
| 5    | 242351   | 1         | O-RING D69.5X3.0 VITON F.S-93<br>VITON (BROWN)      |
| 6    | 242221   | 1         | GASKET F. S-93 QUICK COUPLERS                       |
| 7    | 322105   | 1         | FITT.DK S-93 BULKHEAD DOUBLE                        |
| 8    | 322109   | 1         | FITT.DK S-93 BULKHEAD NUT                           |
| 9    | 322165   | 1         | FITT.DK S-93 BULKHEAD SINGLE                        |
| 10   | 334234   | 1         | FITT.DK S-93 STR.2" RUBBER                          |
| 11   | 334246   | 1         | FITT.DK S-93 ELB.2" PVC                             |
| 12   | 334262   | 1         | GASKET F.S-93 BULKHEAD                              |
| 13   | 334304   | 1         | FITT.DK S-93 STR.1-1/2" PVC                         |
| 14   | 334426   | 1         | FITT.DK S-93 STR.2"                                 |
| 15   | 334545   | 1         | FITT.DK S-93 TEE                                    |
| 16   | 334601   | 1         | FITT.DK S-93 TO S67 ADAPTOR                         |
| 17   | 334634   | 1         | FITT.DK ADAPTER S-93M S67M                          |
| 18   | 390485   | 1         | FITT.DK S-93 PLUG W D34 HOLE                        |
| 19   | 390721   | 1         | FITT.DK S-93 PLUG W/2" NPT THRE                     |
| 20   | 461217   | 1         | NUT HEX M5 LOCK                                     |
| 21   | 726465   | 1         | FITT.DK S-93 BULKHEAD W/GASKET                      |
| 22   | 726563   | 1         | FITT.DK S-93 STR 2" W/O-RING                        |
| 23   | 726564   | 1         | HOSE TAIL 2-1/2" W.O-RING                           |
| 24   | 726575   | 1         | FITT.DK S-93 ELB. 2" RUBBER                         |
| 25   | 726576   | 1         | FITT. DK S-93 2-1/2" 90°                            |
| 26   | 726580   | 1         | FITT. S93 PLUG W/O-RING                             |
| 27   | 727133   | 1         | HOSETAIL S93 2"1/2 + O-RING                         |
| 28   | 727225   | 1         | FITT.DK S-93 ELB.2'PVC W/ORING                      |
| 29   | 727226   | 1         | HOSETAIL S93 2"1/2 90°+O-RING                       |
| 30   | 727227   | 1         | FITT.DK S-93 STR.2" W/ORING                         |
| 31   | 727235   | 1         | QUICK COUPLER FEMALE W 1-1/2HB                      |
| 32   | 727236   | 1         | QUICK COUPLER FEMALE W 2" HB                        |
| 33   | 727237   | 1         | QUICK COUPLER FEMALE W2-1/2" HB                     |
| 34   | 727339   | 1         | FITT. S93 DRAIN BULKHEAD W/O-R                      |
| 35   | 727476   | 1         | FITT. DK S-93 2"FM THD W.ORING                      |
| 36   | 727777   | 1         | QUICK COUPLER S93 DRAIN W/O-RI                      |
| 37   | 728120   | 1         | QUICK COUPLER CAP F.S93 DRAIN                       |
| 38   | 728395   | 1         | FITT.DK S-93 ELB.1-1/2" 90 DEG                      |
| 39   | 728523   | 1         | FITT.DK S-93 STR.1-1/2" W.O-RING                    |
| 40   | 728525   | 1         | FITT. S93 CONNECTOR W/O-RINGS                       |
| 41   | 728527   | 1         | ADAPTER S67M TO S93M W/ORING                        |
| 42   | 728562   | 1         | FITT.DK S-93 TO S67 ADAPTOR                         |
| 43   | 729828   | 1         | FITT.DK S-93 ELB 2-1/2" RED                         |
| 44   | 729829   | 1         | FITT.DK S-93 ELB 2 RED                              |
| 45   | 729830   | 1         | FITT.DK S-93 ELB 1-1/2" 90 RED                      |
| 46   | 39121700 | 1         | FITT.DK S93 ADAP LG MALE MALE                       |
| 47   | 72072700 | 1         | FITT.DK S-93 45D 2" PVC                             |
| 48   | 72072900 | 1         | FITT. S93 2-1/2" 45° S W/O-RING                     |



| I.D.   | PART # (ONE FOOT)  |  |
|--|--|--|
| 3/8"<br>1/2"<br>3/4"<br>1"<br>1-1/4"<br>1-1/2" | 92701703<br>92702103<br>92703203<br>92712403<br>92734403<br>92736503                         | <br>RUBBER HOSE                    |
| 5/16"<br>3/8"<br>1/4"<br>1/2"<br>3/4"          | 927281<br>927284<br>927268<br>927269<br>927270   | <br>PVC HOSE                       |
| 1"<br>1-1/4"<br>1-1/2"<br>2"<br>2-1/2"         | 92702403<br>92738900<br>92702603<br>92702703<br>92702803                                     | <br>PVC SPIRAL SUCTION HOSE, GRAY |
| 3/4"<br>1-1/4"                                 | 927205<br>92703503   | <br>CLEAR HOSE, SMOOTH           |
| 1/2"<br>3/4"                                   | 10631003<br>927231   | <br>PVC HOSE, CLEAR, REINFORCED  |
| 4mm<br>6mm<br>8mm<br>10mm<br>.25"<br>.38"      | 927253 RED<br>927264 RED<br>927306 BLACK<br>927330 BLACK<br>92703303 BLACK<br>92703403 BLACK | <br>PVC AIR HOSE, SMOOTH         |

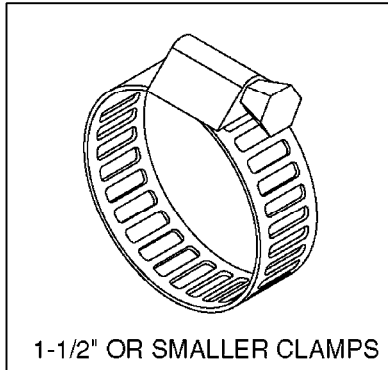
**L0120**



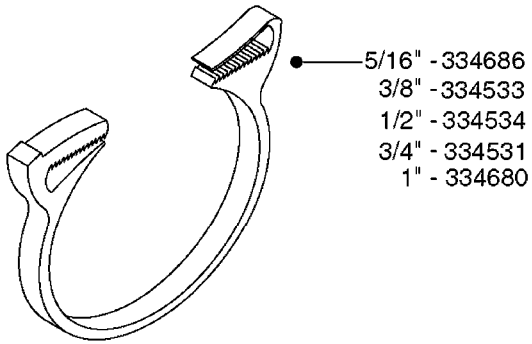
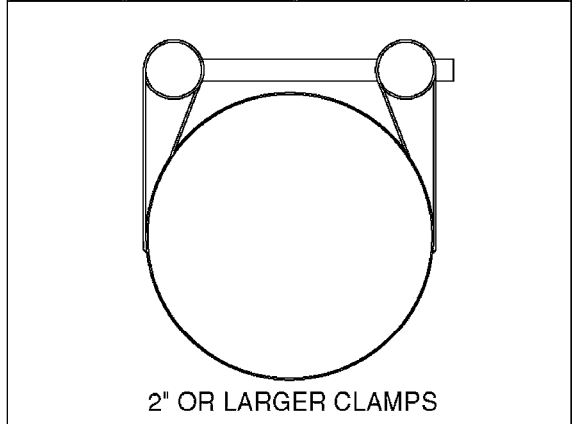
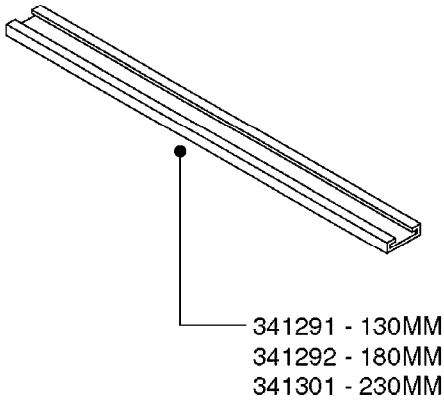
BULK HOSE  
L0120-HIN, 17:10:19

Page 1  
Date 12.08.2020 9:04

| parts-n° | order qty | description                        |
|----------|-----------|------------------------------------|
| 927205   | 1         | HOSE R X CLEAR X 3/4 X 0012"       |
| 927231   | 1         | HOSE R X PVCX3/4 CLR/BRD 0012"     |
| 927253   | 1         | RED AIR HOSE, Ø4/2 1810 E          |
| 927264   | 1         | HOSE R X PE D6/D4 X 0012"          |
| 927268   | 1         | HOSE BLUE PVC X 1/4 X 0012"        |
| 927269   | 1         | HOSE R X PVC X 1/2 X 0012"         |
| 927270   | 1         | HOSE R X PVC X 3/4 X 0012"         |
| 927281   | 1         | HOSE R X PVC X 5/16 X 0012"        |
| 927284   | 1         | HOSE 3/8 PVC W/ INSERT             |
| 927306   | 1         | HOSE R X PE D8/D6 X 0012"BLACK     |
| 927330   | 1         | HOSE R X PE D10/D8 X 012"BLACK     |
| 10631003 | 1         | HOSE R X CLEAR BRAID.X 1/2 12"     |
| 92701703 | 1         | HOSE R X3/8" X300PSI WP X0012"     |
| 92702103 | 1         | HOSE R X1/2" X300PSI WP X0012"     |
| 92702403 | 1         | HOSE PVC SUCT GRAY 1"              |
| 92702603 | 1         | HOSE PVC SUCT GRAY 1-1/2"          |
| 92702703 | 1         | HOSE PVC SUCT GRAY 2"              |
| 92702803 | 1         | HOSE PVC SUCT GRAY 2.5"            |
| 92703203 | 1         | HOSE R X3/4" X300PSI WP X0012"     |
| 92703303 | 1         | HOSE LLDPE .25"X.17"X12" BLACK     |
| 92703403 | 1         | HOSE LLDPE .38"X.25"X12" BLACK     |
| 92703503 | 1         | HOSE VINYL CLEAR 1-1/4" OD X 1" ID |
| 92712403 | 1         | HOSE R X1" X300PSI WP X0012"       |
| 92734403 | 1         | HOSE R X5/4" X200PSI WP X0012"     |
| 92736503 | 1         | HOSE R X1.5" X200PSI WP X0012"     |
| 92738900 | 1         | HOSE R X PVC X 1-1/4" 0012"        |



| Hose Size | Pressure | Suction  | Clamp Code |
|-----------|----------|----------|------------|
| 5/16"     | 284582   |          | -          |
| 3/8"      | 28044903 |          | 6706       |
| 1/2"      | 28029803 |          | 6708       |
| 3/4"      | 28029903 |          | 6712       |
| 1"        | 28030003 | 28029903 | 6716       |
| 1-1/4"    | 28030103 |          | 6724       |
| 1-1/2"    |          | 28030103 | 6724       |
| 2"        |          | 28030203 | 235-67     |
| 2-1/2"    |          | 28030303 | 235-74     |
| 3"        |          | 28030403 | 235-87     |



**L0130**



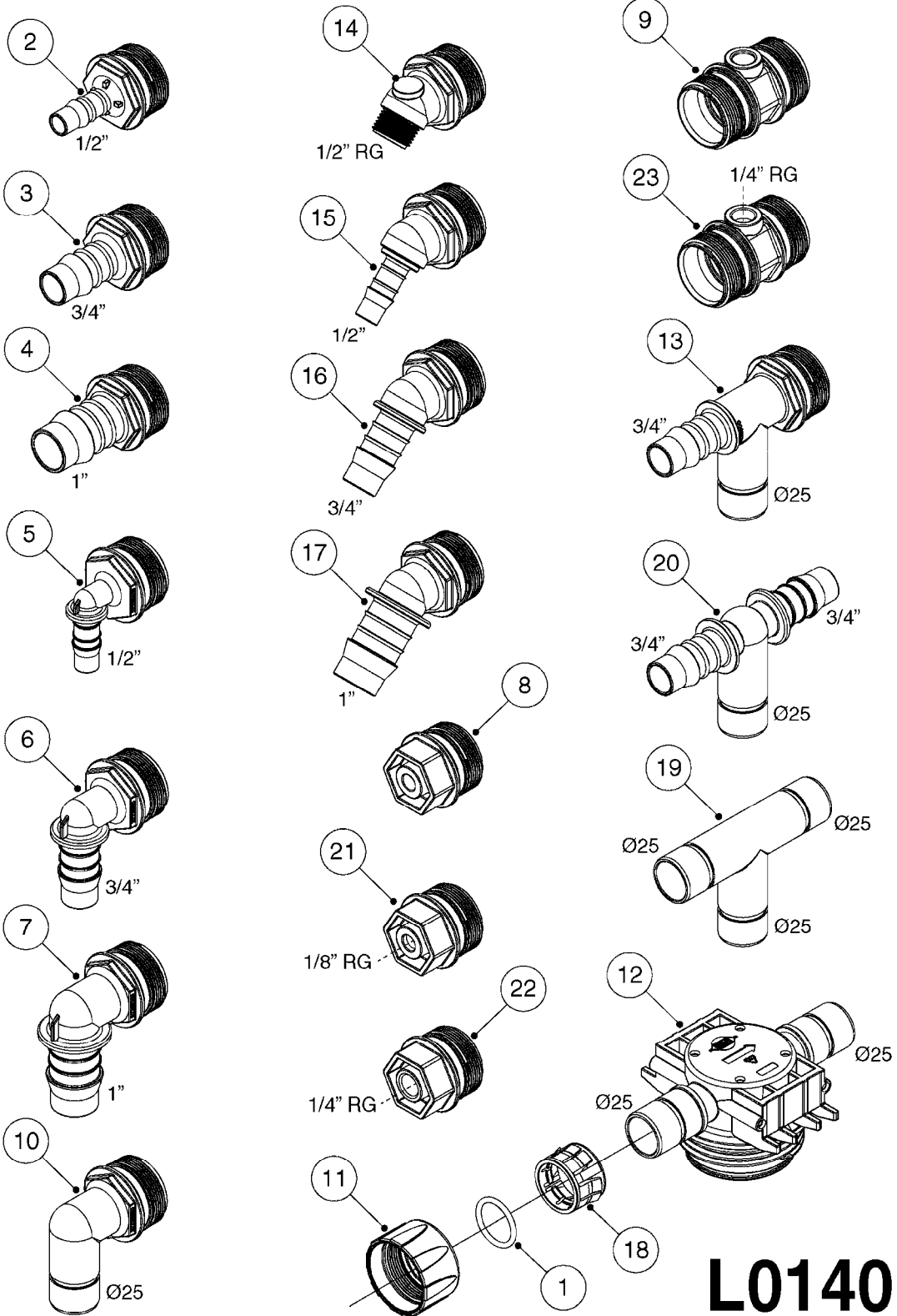


HOSE CLAMPS  
L0130-HIN, 16:10:19

Page 1

Date 12.08.2020 9:04

| parts-n° | order qty | description                     |
|----------|-----------|---------------------------------|
| 284582   | 1         | CLAMP HOSE GEAR - 5/16"         |
| 334531   | 1         | CLAMP HOSE PLASTIC 3/4"         |
| 334533   | 1         | CLAMP HOSE PLASTIC 3/8"         |
| 334534   | 1         | CLAMP HOSE PLASTIC 1/2"         |
| 334680   | 1         | CLAMP HOSE PLASTIC 1"           |
| 334686   | 1         | CLAMP HOSE PLASTIC 5/16"        |
| 341291   | 1         | RUBBER HOSE CLAMP COVER 130MM   |
| 341292   | 1         | RUBBER HOSE CLAMP COVER 180MM   |
| 341301   | 1         | RUBBER HOSE CLAMP COVER 230MM   |
| 28029803 | 1         | CLAMP HOSE GEAR P1/2" 6708      |
| 28029903 | 1         | CLAMP HOSE GEAR P3/4"-S1" 6712  |
| 28030003 | 1         | CLAMP HOSE GEAR P1" 6716        |
| 28030103 | 1         | CLAMP HOSE GEAR P5/4-S1.5" 6724 |
| 28030203 | 1         | CLAMP HOSE T-BOLT S2" 235-67    |
| 28030303 | 1         | CLAMP HOSE T-BOLT S2.5" 235-76  |
| 28030403 | 1         | CLAMP HOSE T-BOLT S3" 235-82    |
| 28044903 | 1         | CLAMP HOSE GEAR P3/8" 6706      |



**L0140**



FITTINGS - T25  
L0140-HIN, 01:01:16

Page 1

Date 12.08.2020 9:04

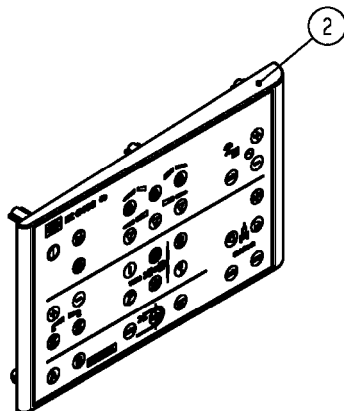
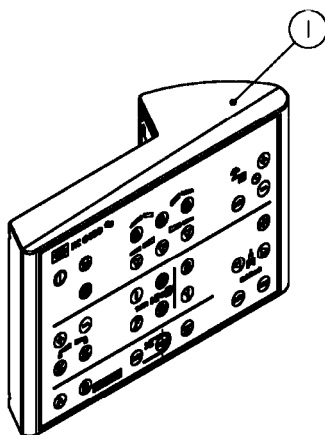
| Pos. | parts-n° | order qty | description                    |
|------|----------|-----------|--------------------------------|
| 1    | 24263000 | 1         | O-RING Ø24.4 X 3.1 NITRIL SH70 |
| 2    | 32238700 | 1         | FITT.DK HB 1/2" ST T25         |
| 3    | 32238800 | 1         | FITT.DK HB 3/4" STR T25        |
| 4    | 32238900 | 1         | FITT.DK HB 1" ST T25           |
| 5    | 32239000 | 1         | FITT.DK HB 1/2" 90° T25        |
| 6    | 32239100 | 1         | FITT.DK HB 3/4" 90° T25        |
| 7    | 32239200 | 1         | FITT.DK HB 1" 90° T25          |
| 8    | 32239300 | 1         | FITT.DK CAP T25                |
| 9    | 32239500 | 1         | FITT.DK UNION CONNECTOR T25    |
| 10   | 32239600 | 1         | FITT.DK HB ANGLE 90° T25       |
| 11   | 32239700 | 1         | FITT.DK NUT T25                |
| 12   | 32239800 | 1         | FITT.DK IN-LINE FILTER TOP T25 |
| 13   | 32239900 | 1         | FITT.DK TEE 3/4" HB Ø25 T25    |
| 14   | 32240000 | 1         | FITT.DK 1/2" RG 45° T25        |
| 15   | 32240100 | 1         | FITT.DK HB 1/2" 45° T25        |
| 16   | 32240200 | 1         | FITT.DK HB 3/4" 45° T25        |
| 17   | 32240300 | 1         | FITT.DK HB 1" 45° T25          |
| 18   | 33515500 | 1         | FITT.DK NUT LOCK RING T25      |
| 19   | 33516100 | 1         | FITT.DK TEE 3 X Ø25 T25        |
| 20   | 33516200 | 1         | FITT.DK TEE 3/4" HB-Ø25 T25    |
| 21   | 39125500 | 1         | FITT.DK CAP 1/8" RG T25        |
| 22   | 39125600 | 1         | FITT.DK CAP 1/4" RG T25        |
| 23   | 39128700 | 1         | FITT.DK CONNECTOR 1/4" RG T25  |



HC6400 SETBOX  
M105-HIA, 04:07:16

Page 0

Date 12.08.2020 9:04



**M105**



HC6400 SETBOX  
M105-HIA, 04:07:16

Page 1  
Date 12.08.2020 9:04

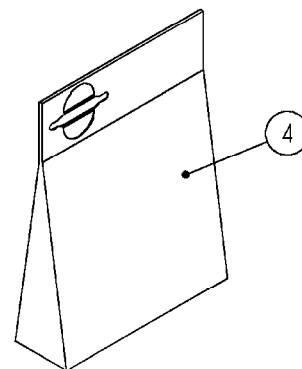
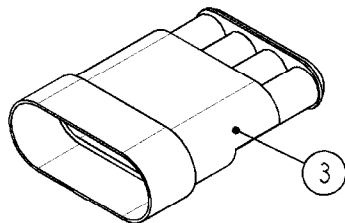
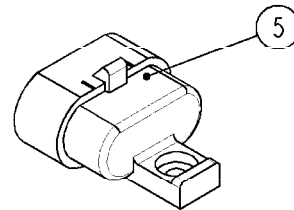
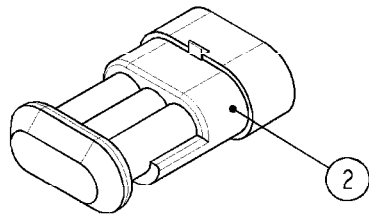
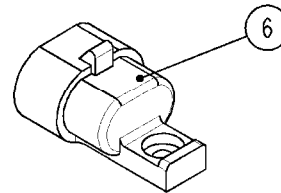
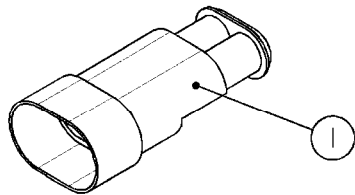
| Pos. | parts-n° | order qty | description                            |
|------|----------|-----------|--|
| 1    | 26034900 | 1         | HC 6401 SETBOX ISO STD                 |
| 1    | 26035000 | 1         | HC 6401 SETBOX ISO TDZ                 |
| 1    | 26070000 | 1         | HC6404 SETBOX ISO HAZ '15              |
| 2    | 26075700 | 1         | HC6401 SETBOX STD FRONT SPARE PART     |
| 2    | 26075800 | 1         | HC6402 SETBOX TDZ SPARE PART           |
| 2    | 26075900 | 1         | HC6404 SETBOX HAZ '15 FRONT SPARE PART |



AMP CAP  
M212-HIA, 05:10:11

Page 0

Date 12.08.2020 9:04



**M212**

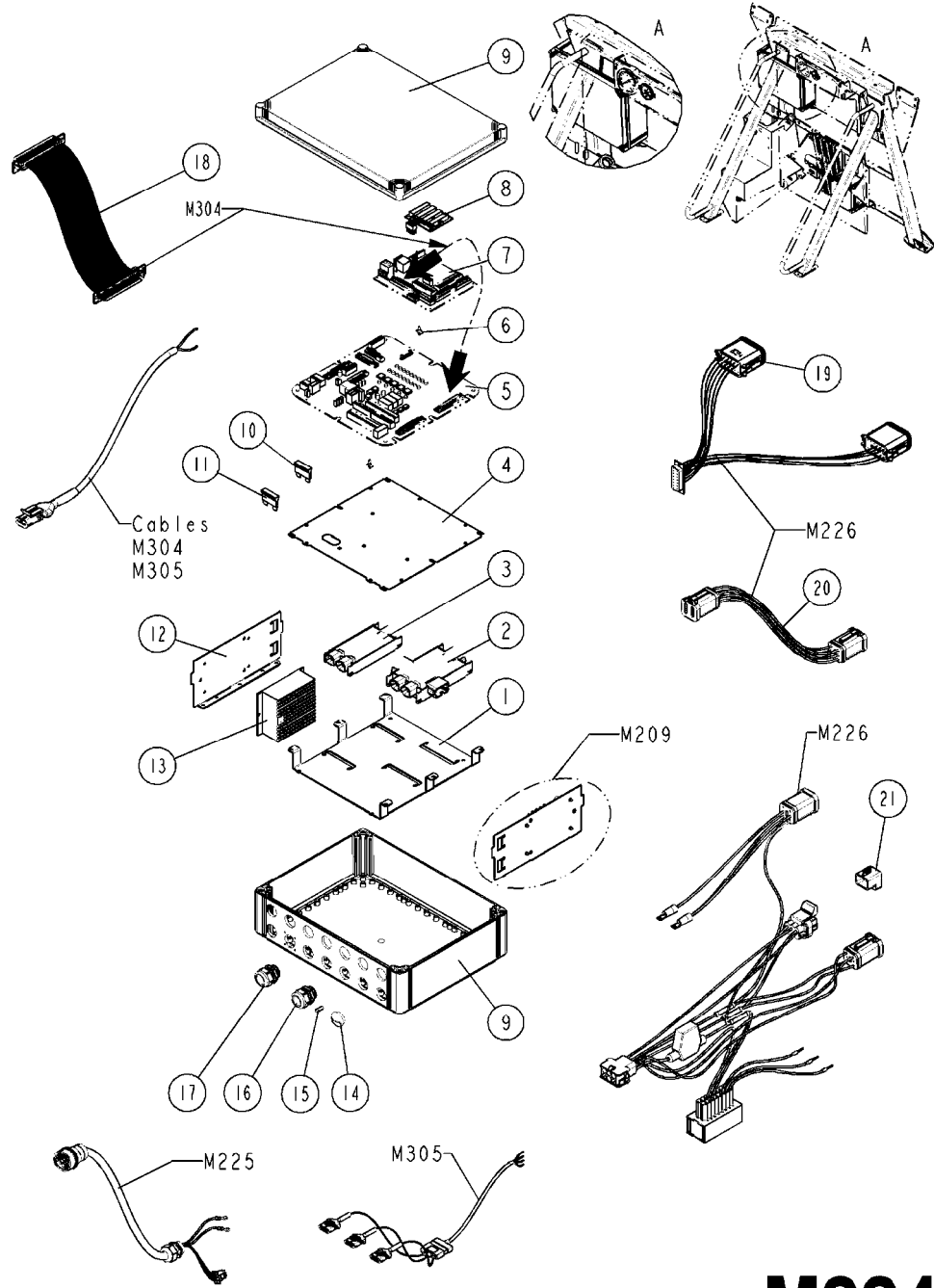


AMP CAP  
M212-HIA, 05:10:11

Page 1

Date 12.08.2020 9:04

| Pos. | parts-n° | order qty | description                   |
|------|----------|-----------|-------------------------------|
| 1    | 72450600 | 1         | CAP F. AMP SUPER SEAL 2P PLUG |
| 2    | 72450700 | 1         | CAP F. AMP SUPER SEAL 3P PLUG |
| 3    | 72450800 | 1         | CAP F. AMP SUPER SEAL 4P PLUG |
| 4    | 98233300 | 1         | SILICONE GREASE               |
| 5    | 33520500 | 1         | CAP, AMP, 3P, FEMALE          |
| 6    | 33520400 | 1         | CAP, AMP, 2P, FEMALE          |



# M224



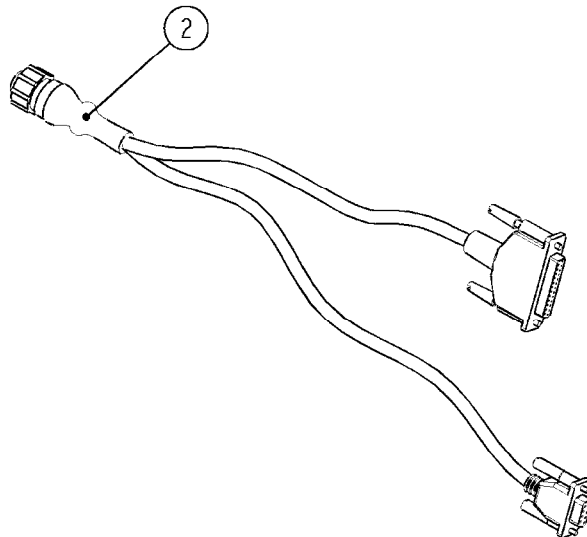
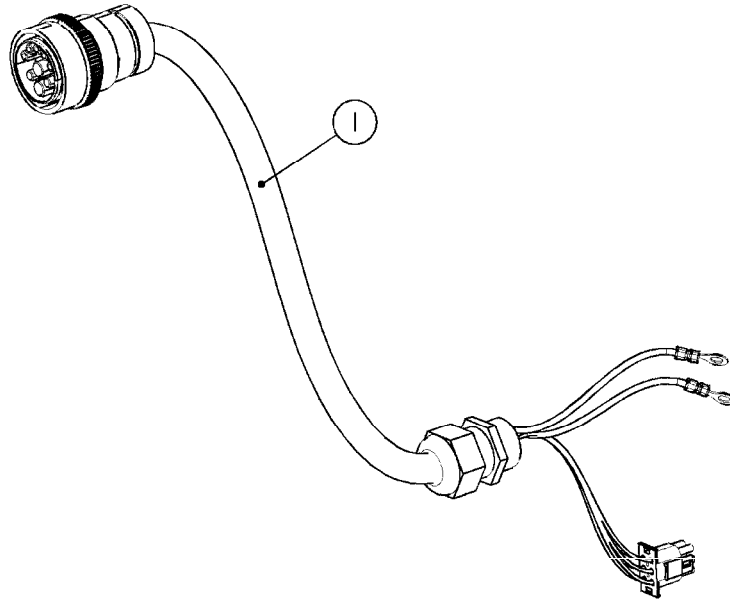


JOB COM ISOBUS HW V.3  
M224-HIA, 16:11:17

Page 1

Date 12.08.2020 9:04

| Pos. | parts-n° | order qty | description                        |
|------|----------|-----------|------------------------------------|
| 1    | 63146400 | 1         | JOB COM BRACKET W.M4 NUTS          |
| 2    | 26043600 | 1         | MODULE, INPUT, NORAC UC5           |
| 3    | 26043400 | 1         | NORAC UC5 CONTROLLER MODULE        |
| 4    | 16302100 | 1         | JOB COM PLATE REAR                 |
| 5    | 26052700 | 1         | JOB COM PCB ASSY HW3.1             |
| 6    | 26005100 | 1         | CONNECTOR FOR PCB, PLASTIC         |
| 7    | 26029200 | 1         | DAH PCB F. JOB COM NCM '09         |
| 8    | 26031100 | 1         | PCB ASSY. FOR NORAC INTERFACE      |
| 9    | 39134200 | 1         | BOX COMPL. 300X400X135 DRILLED     |
| 10   | 28048600 | 1         | FULE 15A ATOF SERIES               |
| 11   | 28048500 | 1         | FUSE 10A ATOF SERIES               |
| 12   | 16302000 | 1         | MOUNT PLATE JOB COM, C2C, JC HW3.X |
| 13   | 26031200 | 1         | C2C ISOBUS BRIDGE 16PIN STW        |
| 14   | 26004600 | 1         | PLUG F.DRILLED HOLE 21MM           |
| 15   | 25197500 | 1         | PLUG Ø6x18MM NITRIL                |
| 16   | 26039700 | 1         | BULKHEAD F.CABLE PG21 6X6.0        |
| 17   | 26039800 | 1         | BULKHEAD F.CABLE PG21 3X9.0        |
| 18   | 26005900 | 1         | WIRE 37/37 POLE DAH/JOB COM        |
| 19   | 26039300 | 1         | CABLE, DAH UC5 INPUT MODULE        |
| 20   | 26039100 | 1         | CABLE, DT06 6P FEMALE L=300MM      |
| 21   | 26032700 | 1         | ACTIVE ISOBUS TERMINATOR           |



**M225**



ISO CABLE TRACTOR IMPLEMENT  
M225-HIA, 08:05:15

Page 1

Date 12.08.2020 9:04

| Pos. | parts-n° | order qty | description                    |
|------|----------|-----------|--------------------------------|
| 1    | 26051500 | 1         | CABLE ISO TRAC TRAILER L=2.8 M |
| 1    | 26056700 | 1         | CABLE ISO TRAC TRAILER L=4.5M  |
| 1    | 26031400 | 1         | CABLE, ISO, TRACTOR-JOBCOM     |
| 2    | 26031500 | 1         | CABLE ISO CABIN GRIP SETBOX    |





CABLE ISO JC HW V.3 UC5 CM11  
M226-HIA, 05:08:14

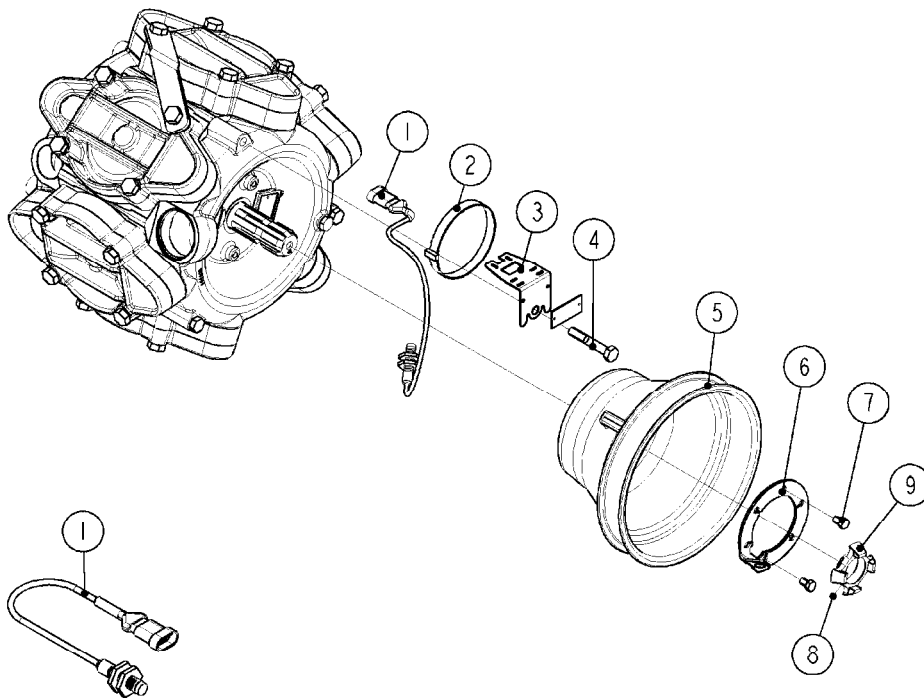
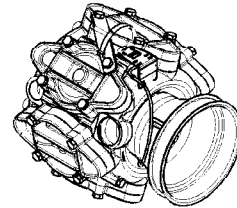
Page 1

Date 12.08.2020 9:04

| Pos. | parts-n° | order qty | description                   |
|------|----------|-----------|-------------------------------|
| 1    | 26039100 | 1         | CABLE, DT06 6P FEMALE L=300MM |
| 2    | 26039300 | 1         | CABLE, DAH UC5 INPUT MODULE   |
| 3    | 26057600 | 1         | WH ISO JC C2C UC5 ECUPWR      |



RPM SENSOR  
M315-HIA, 21:03:17



**M315-HIA**



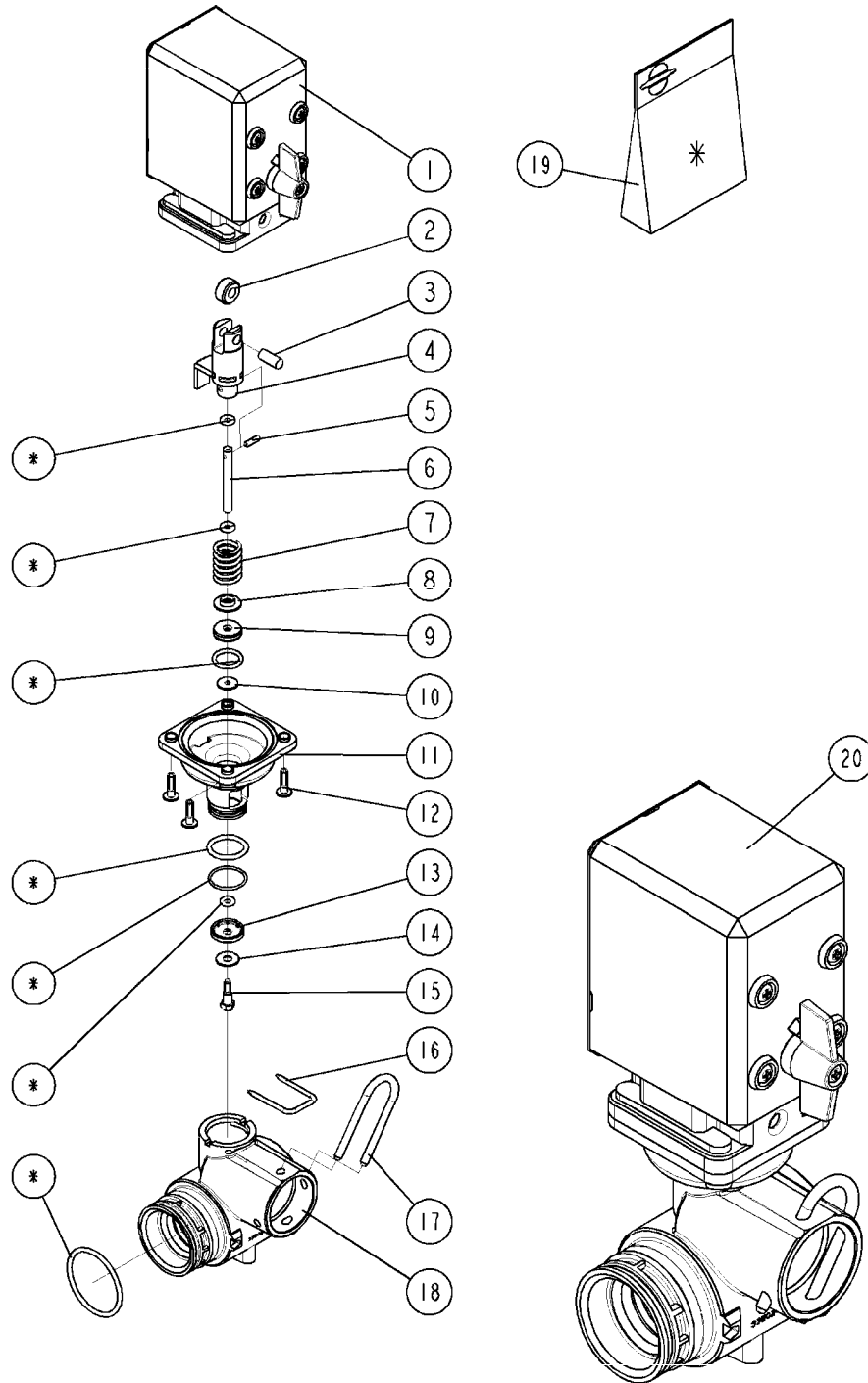
RPM SENSOR  
M315-HIA, 21:03:17

Page 1  
Date 12.08.2020 9:04

| Pos. | parts-n° | order qty | description                               |
|------|----------|-----------|---|
| 1    | 28129100 | 1         | INDUCTIVE SENSOR SHIELDED M12 L0.4M SD4MM |
| 2    | 283697   | 1         | TIESTRAP 200MM                            |
| 3    | 16390600 | 1         | BRACKET FOR RPM SENSOR                    |
| 4    | 421083   | 1         | BOLT HEX 8.8 DEL M10X65                   |
| 5    | 39140400 | 1         | PTO COVER BLACK Ø240                      |
| 6    | 16382700 | 1         | PLATE 3 X 148 X 116 / BEND                |
| 7    | 420917   | 1         | BOLT HEX 8.8 RAW M8X12 FT                 |
| 8    | 450645   | 1         | SCREW ALLAN M6 X 6 SS                     |
| 9    | 14117800 | 1         | ROTOR RPM SENSOR 4-POL                    |



DIST. VALVE S67  
M317-HIA, 17:07:12



**M317**



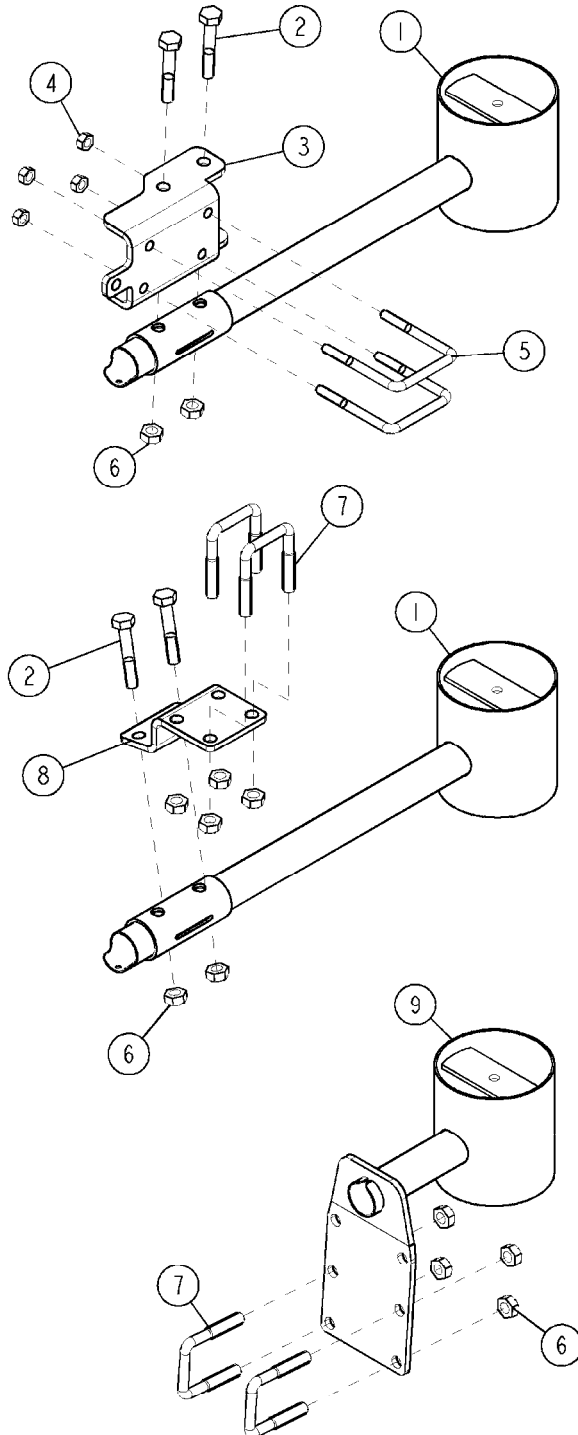


DIST. VALVE S67  
M317-HIA, 17:07:12

Page 1

Date 12.08.2020 9:04

| Pos. | parts-n° | order qty | description                    |
|------|----------|-----------|--------------------------------|
| 1    | 72317100 | 1         | MOTOR HOUSE DISTR. 1:300       |
| 2    | 210738   | 1         | PIN Ø7 L16                     |
| 3    | 210737   | 1         | BEARING BALL D7 RSTO 5 TN      |
| 4    | 334053   | 1         | SLIDE CONSOLE FOR EC SPINDLE   |
| 5    | 480616   | 1         | SPINDLE PIN Ø 3X12 DIN1481 RST |
| 6    | 145701   | 1         | SPINDLE F/EC-DISTRIBUTOR       |
| 7    | 220662   | 1         | PRESSURE SPRING D 18.5/26      |
| 8    | 333815   | 1         | DISTANCE RING                  |
| 9    | 333982   | 1         | GUIDE FOR O-RING D15.3X2.4     |
| 10   | 167786   | 1         | WASHER D13/D4.2X1              |
| 11   | 333524   | 1         | DIAPHRAGM HOUSING BOTTOM PA    |
| 12   | 440675   | 1         | SCREW F. PLASTIC 5X16 SS       |
| 13   | 333971   | 1         | SUPP RING F/O-RING D15.3X2.4   |
| 14   | 163936   | 1         | WASHER D15/D6.2X1              |
| 15   | 14021000 | 1         | PINDBOLT M 4 L= 22 NV8 RSF     |
| 16   | 270211   | 1         | FITT.DK S25 FORK L=37.5        |
| 17   | 145995   | 1         | FITT.DK S-53 FORK              |
| 18   | 33502400 | 1         | DISTRIBUTION HOUSING EFC       |
| 19   | 741822   | 1         | SEAL KIT - 1 SECTION (05)      |
| 20   | 72404600 | 1         | SHUTOFF VALVE CYC. FILTER      |



**M320-HIA**

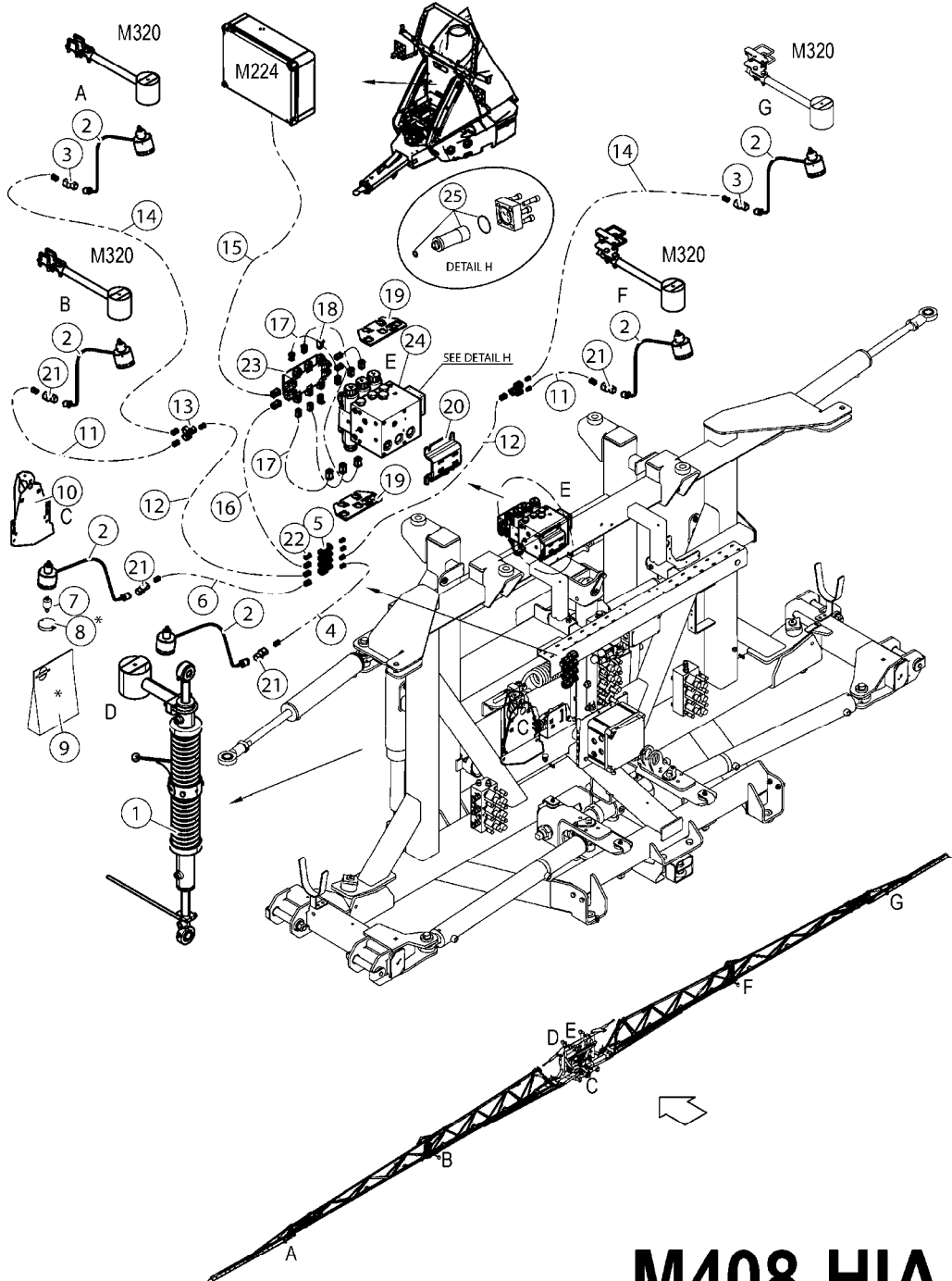


TDZ AUTOTERRAIN BRACKETS  
M320-HIA, 17:10:17

Page 1

Date 12.08.2020 9:04

| Pos. | parts-n° | order qty | description                       |
|------|----------|-----------|-----------------------------------|
| 1    | 63108800 | 1         | NORAC SENSOR BRACKET, BOOM        |
| 2    | 420906   | 1         | BOLT HEX 8.8 DEL M10X60           |
| 3    | 16332000 | 1         | NORAC BRACKET, TDZ, INNER LEFT    |
| 3    | 16332600 | 1         | NORAC BRACKET, TDZ, INNER RIGHT   |
| 4    | 460143   | 1         | LOCK NUT M8 SST A2 DIN985         |
| 5    | 146843   | 1         | BOLT U M8 F.60 x 60               |
| 6    | 460423   | 1         | NUT HEX M10X1.50 LOCK DIN985A2 SS |
| 7    | 143161   | 1         | BOLT U M10 40X40                  |
| 8    | 16332200 | 1         | NORAC BRACKET, TDZ, OUTER         |
| 9    | 63192900 | 1         | DDZ SENSOR BRACKET                |

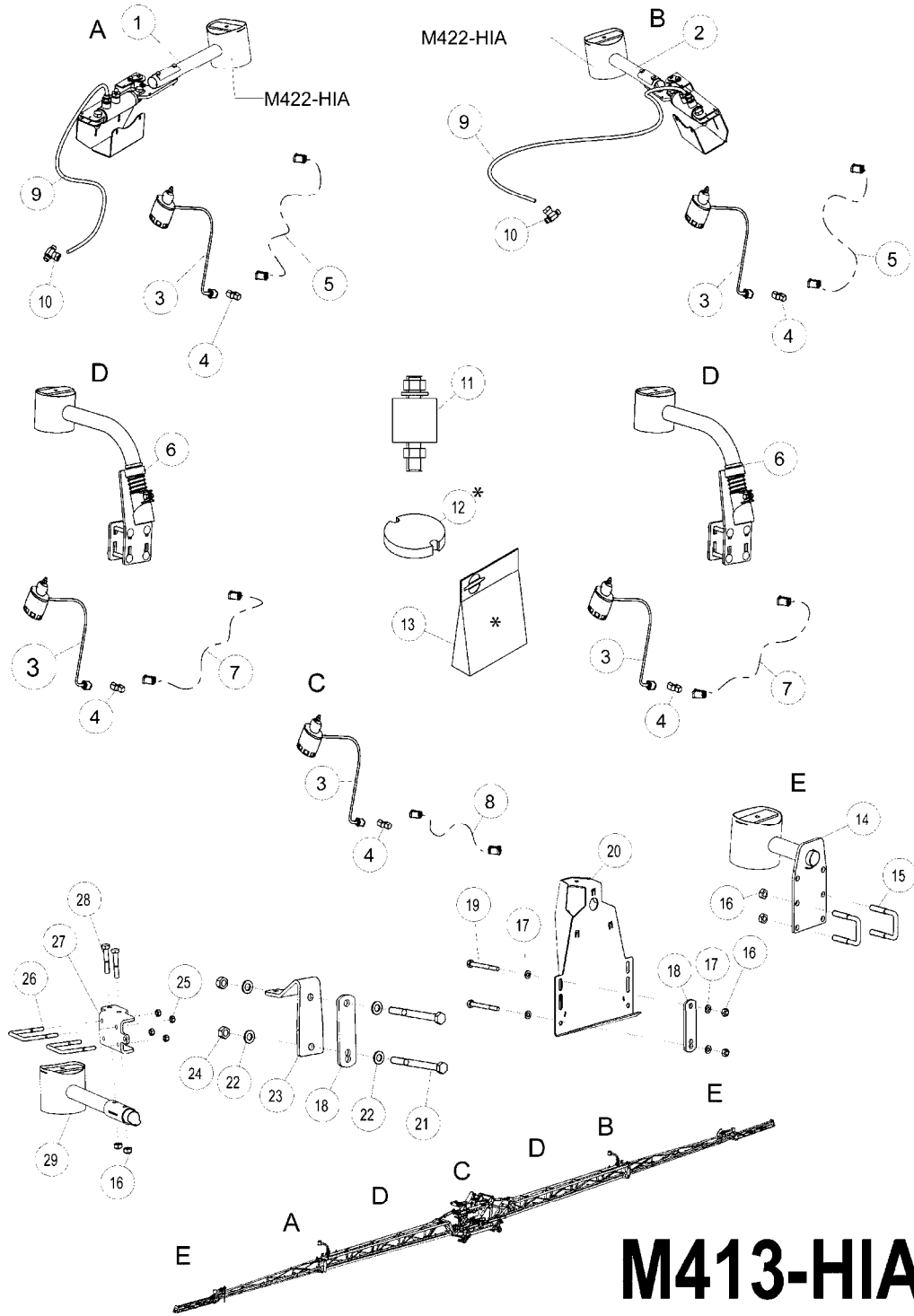


# M408-HIA



NORAC UC5 AUTOTERRAIN TDZ  
M408-HIA, 10:02:16

| Pos. | parts-n° | order qty | description   |
|------|----------|-----------|---|
| 1    | 78130700 | 1         | CYLINDER 8IN LINEAR ROLL NORAC                                  |
| 2    | 26043700 | 1         | SENSOR, NORAC, UC5, ULTRASONIC                                  |
| 3    | 26044400 | 1         | NORAC UC5 - UC7 COUPLER 2-WAY/TERM.                             |
| 4    | 26043200 | 1         | CABLE UC5 NETWORK 14 AWG 1M                                     |
| 5    | 26043900 | 1         | NORAC UC5 - UC7 NETWORK COUPLER 8-WAY                           |
| 6    | 26043200 | 1         | CABLE UC5 NETWORK 14 AWG 1M                                     |
| 7    | 28050303 | 1         | NORAC RUBBER TOP&BOLT F.SENSOR DIA.30MMX30MMX8MM                |
| 8    | 28086600 | 1         | FOAM DISC F. SENSOR NORAC<br>For Sensors before 2018            |
| 9    | 28097000 | 1         | TRANSDUCER KIT F.US SENSOR<br>For sensors before 2018           |
| 9    | 26084700 | 1         | Mesh Kit Ultrasonic Sensor<br>For Sensors from 2018 and forward |
| 10   | 61068000 | 1         | NORAC SENSOR BRACKET, CENTER                                    |
| 11   | 26032600 | 1         | CABLE UC5 NETWORK 14 AWG 10M                                    |
| 11   | 26044200 | 1         | CABLE UC5 - UC7 NETWORK 18 AWG 20M                              |
| 11   | 26047100 | 1         | CABLE UC5 NETWORK 14 AWG 1M                                     |
| 11   | 26049900 | 1         | CABLE UC5 NETWORK 14 AWG 3M                                     |
| 11   | 26051100 | 1         | CABLE UC5 NETWORK 14 AWG 5M                                     |
| 11   | 26051200 | 1         | CABLE UC5 NETWORK 14 AWG 7M                                     |
| 11   | 26051300 | 1         | CABLE UC5 NETWORK 14 AWG 15M                                    |
| 12   | 26043200 | 1         | CABLE UC5 NETWORK 14 AWG 1M                                     |
| 13   | 26044100 | 1         | UC5 - UC7 NETWORK COUPLER 3-WAY                                 |
| 14   | 26044200 | 1         | CABLE UC5 - UC7 NETWORK 18 AWG 20M                              |
| 14   | 26047100 | 1         | CABLE UC5 NETWORK 14 AWG 1M                                     |
| 14   | 26049900 | 1         | CABLE UC5 NETWORK 14 AWG 3M                                     |
| 14   | 26051100 | 1         | CABLE UC5 NETWORK 14 AWG 5M                                     |
| 14   | 26051200 | 1         | CABLE UC5 NETWORK 14 AWG 7M                                     |
| 14   | 26051300 | 1         | CABLE UC5 NETWORK 14 AWG 15M                                    |
| 15   | 26045600 | 1         | CABLE, UC5, 6P FEMALE JC L=10.5M                                |
| 16   | 26043200 | 1         | CABLE UC5 NETWORK 14 AWG 1M                                     |
| 17   | 26043300 | 1         | CABLE UC5 VALVE 2PIN/2PIN DT                                    |
| 18   | 26043000 | 1         | NORAC UC5 NETWORK 2 PIN PLUG                                    |
| 19   | 28153500 | 1         | VALVE MODULE BRACKET PAIR                                       |
| 20   | 16320400 | 1         | BRACKET F. NORAC BLOCK - RED                                    |
| 21   | 26043800 | 1         | NORAC UC5 - UC7 NETWORK COUPLER 2-WAY                           |
| 22   | 26057900 | 1         | UC5 - UC7 NETWORK 6 PIN PLUG '13                                |
| 23   | 26043500 | 1         | NORAC UC5 VALVE MODULE  |
| 24   | 78219200 | 1         | VALVE BLOCK 3 STATION   |
| 25   | 28067303 | 1         | KIT FILTER NORAC UC5 106285                                     |

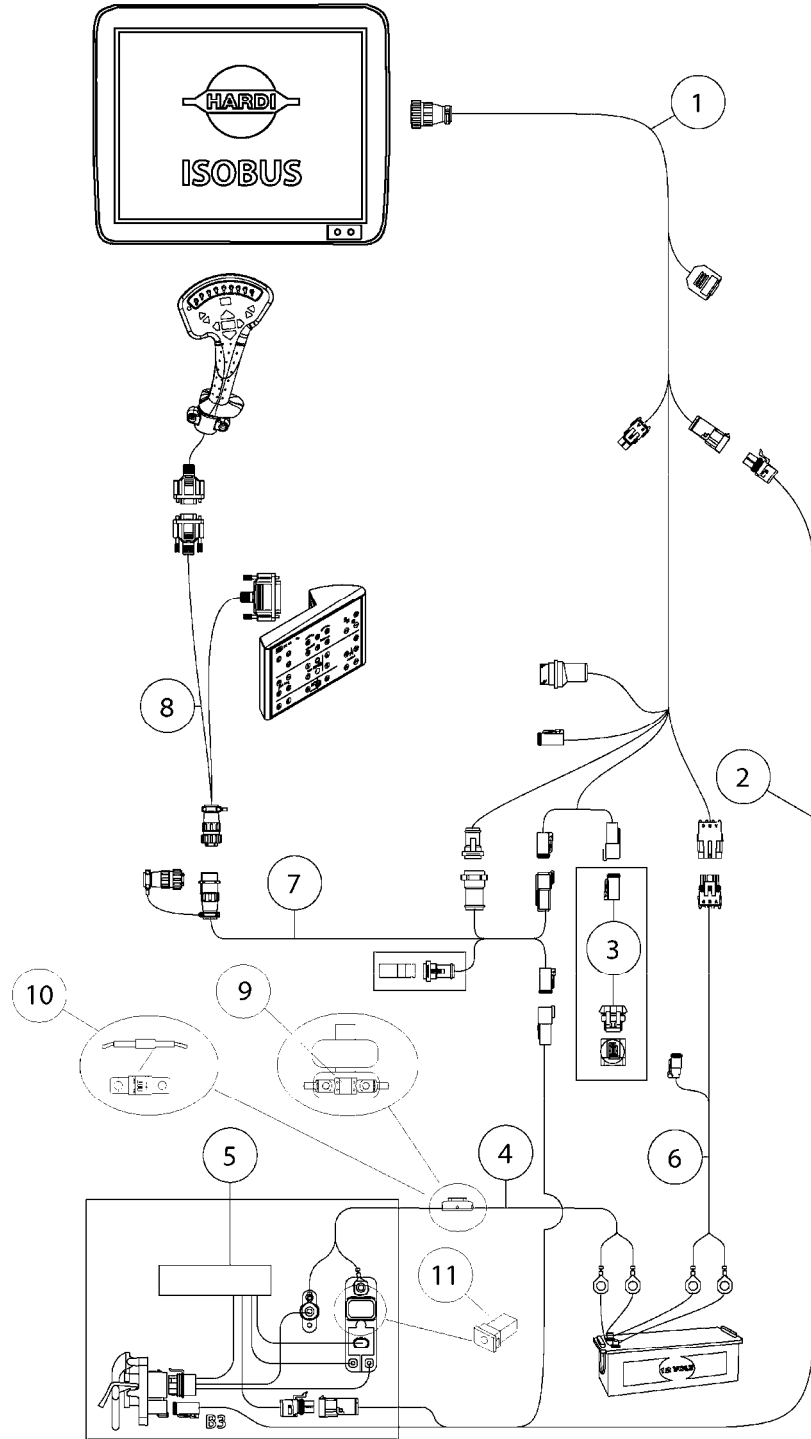




NORAC UC5 TERRAIN KIT  
M413-HIA, 13:11:17

Page 1  
Date 12.08.2020 9:04

| Pos. | parts-n° | order qty | description   |
|------|----------|-----------|---|
| 1    | 72981000 | 1         | HY-FOLDED HEIGHT SENSOR V.                                      |
| 2    | 72980900 | 1         | HY-FOLDED HEIGHT SENSOR H.                                      |
| 3    | 26043700 | 1         | SENSOR, NORAC, UC5, ULTRASONIC                                  |
| 4    | 26044400 | 1         | NORAC UC5 - UC7 COUPLER 2-WAY/TERM.                             |
| 5    | 26044200 | 1         | CABLE UC5 - UC7 NETWORK 18 AWG 20M                              |
| 6    | 28086500 | 1         | UC4 SENSOR MOUNTING BKT. NORAC                                  |
| 7    | 26044000 | 1         | CABLE UC5 NETWORK 18 AWG 10M                                    |
| 8    | 26047100 | 1         | CABLE UC5 NETWORK 14 AWG 1M                                     |
| 9    | 78515200 | 1         | HY.HO.1/4"L= 2850<br>STR-90°                                    |
| 9    | 78515200 | 1         | HY.HO.1/4"L= 2850<br>STR-90°                                    |
| 9    | 78500900 | 1         | HY.HO.1/4"L= 3800<br>STR-90°                                    |
| 9    | 78508000 | 1         | HY.HO.1/4"L= 5200<br>STR-90°                                    |
| 9    | 78503700 | 1         | HYDR. HOSE. 1/4"L= 6350<br>STR-90°                              |
| 9    | 78507800 | 1         | HY.HO.1/4"L= 6860<br>STR-90°                                    |
| 9    | 78503100 | 1         | HY.HO.1/4"L= 4650<br>STR-90°                                    |
| 9    | 78502500 | 1         | HY.HO.1/4"L= 550<br>STR-90°                                     |
| 10   | 23231700 | 1         | TEE 9/16"M-9/16"M-1/4"F ORFS                                    |
| 11   | 28050303 | 1         | NORAC RUBBER TOP&BOLT F.SENSOR DIA.30MMX30MMX8MM                |
| 12   | 28086600 | 1         | FOAM DISC F. SENSOR NORAC<br>For Sensors before 2018            |
| 13   | 28097000 | 1         | TRANSDUCER KIT F.US SENSOR<br>For Sensors before 2018           |
| 13   | 26084700 | 1         | Mesh Kit Ultrasonic Sensor<br>For Sensors from 2018 and forward |
| 14   | 63192900 | 1         | DDZ SENSOR BRACKET  |
| 15   | 143161   | 1         | BOLT U M10 40X40  |
| 16   | 460423   | 1         | NUT HEX M10X1.50 LOCK DIN985A2 SS                               |
| 17   | 471122   | 1         | WASHER, M10, Ø20/10.5X 2.0, SS                                  |
| 18   | 16138700 | 1         | PLATE F. TRANSPORT CROSS BAR                                    |
| 19   | 421218   | 1         | BOLT HEX 8.8 DEL M10X90   |
| 20   | 61068000 | 1         | NORAC SENSOR BRACKET, CENTER                                    |
| 21   | 430426   | 1         | BOLT HEX 8.8 DEL M12X130  |
| 22   | 471127   | 1         | WASHER, M12, Ø24/13X24X2.5 SS                                   |
| 23   | 16507300 | 1         | BRACKET F. AUTOHEIGHT SENSOR                                    |
| 24   | 460703   | 1         | NUT HEX M12X1.75 LOCK DIN985A2 SS                               |
| 25   | 460143   | 1         | LOCK NUT M8 SST A2 DIN985                                       |
| 26   | 146843   | 1         | BOLT U M8 F.60 x 60   |
| 28   | 420906   | 1         | BOLT HEX 8.8 DEL M10X60   |
| 29   | 63175700 | 1         | NORAC DDZ BRACET  |



**M414-HIA**

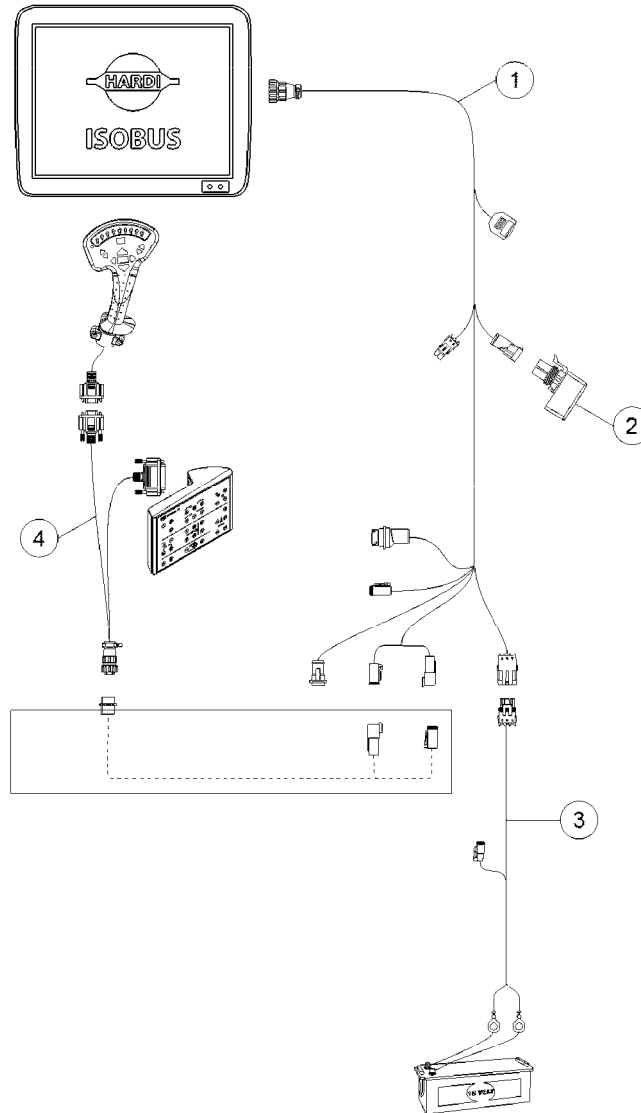




HC 85/9500 TRACTOR WIRING  
ASSY.  
M414-HIA, 22:02:13

Page 1  
Date 12.08.2020 9:04

| Pos. | parts-n° | order qty | description                            |
|------|----------|-----------|--|
| 1    | 26040200 | 1         | DISPLAY CABLE, HC85/9500, 12' (ISOBUS) |
| 2    | 26040400 | 1         | ISOBUS POWER/CONTROL EXTENSION         |
| 3    | 26040500 | 1         | ISOBUS ACTIVE TERMINATION              |
| 4    | 26040600 | 1         | ISOBUS POWER CABLE - 16FT              |
| 5    | 26040300 | 1         | ISOBUS IBBC POWER CONT. ASSY.          |
| 6    | 26040900 | 1         | POWER CABLE DISPLAY/GUIDANCE, 15'      |
| 7    | 26040800 | 1         | ISOBUS/HARDI GRIP TEE CABLE            |
| 8    | 26031500 | 1         | CABLE ISO CABIN GRIP SETBOX            |
| 9    | 26076800 | 1         | FUSE 100A MEGA298 SERIES               |
| 10   | 26076900 | 1         | FUSE 100A MIDI498 SERIES               |
| 11   | 26076600 | 1         | FUSE 30A JCASE495 SERIES               |
| 11   | 26076700 | 1         | FUSE 60A JCASE495 SERIES               |



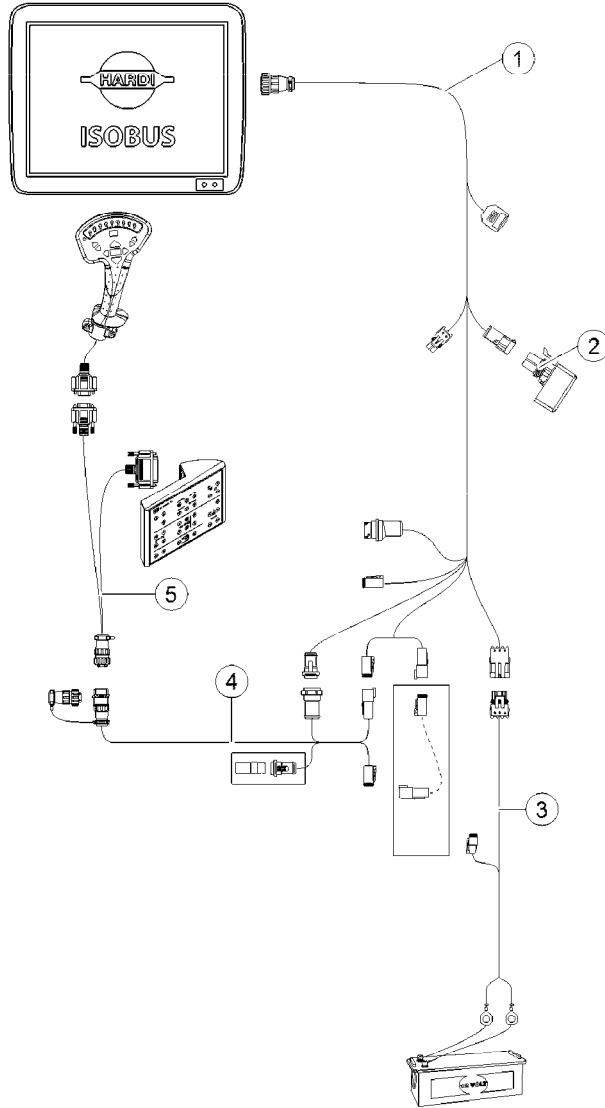
**M415**



ISO TRACTOR W.ASSY.ALT.  
M415-HIA, 25:02:13

Page 1  
Date 12.08.2020 9:04

| Pos. | parts-n° | order qty | description                            |
|------|----------|-----------|--|
| 1    | 26040200 | 1         | DISPLAY CABLE, HC85/9500, 12' (ISOBUS) |
| 2    | 26040100 | 1         | RELAY, POWER CONTROL, AGLEADER         |
| 3    | 26040900 | 1         | POWER CABLE DISPLAY/GUIDANCE, 15'      |
| 4    | 26031500 | 1         | CABLE ISO CABIN GRIP SETBOX            |



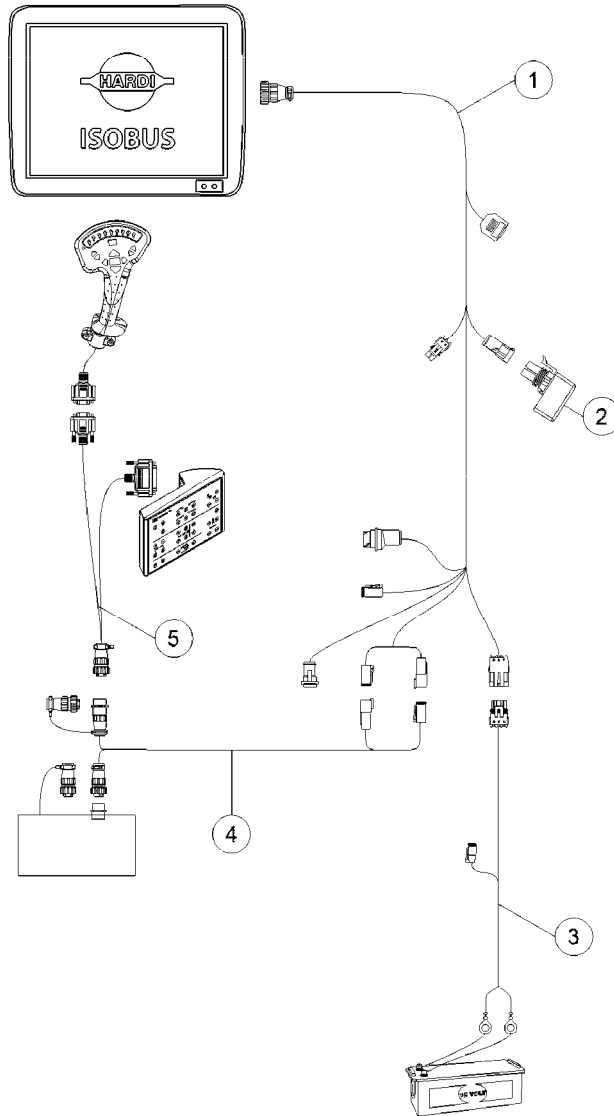
**M416**



HC 85/9500 TRACTOR W.NO CABIN  
CON.  
M416-HIA, 25:02:13

Page 1  
Date 12.08.2020 9:04

| Pos. | parts-n° | order qty | description                            |
|------|----------|-----------|--|
| 1    | 26040200 | 1         | DISPLAY CABLE, HC85/9500, 12' (ISOBUS) |
| 2    | 26040100 | 1         | RELAY, POWER CONTROL, AGLEADER         |
| 3    | 26040900 | 1         | POWER CABLE DISPLAY/GUIDANCE, 15'      |
| 4    | 26040800 | 1         | ISOBUS/HARDI GRIP TEE CABLE            |
| 5    | 26031500 | 1         | CABLE ISO CABIN GRIP SETBOX            |



**M417**

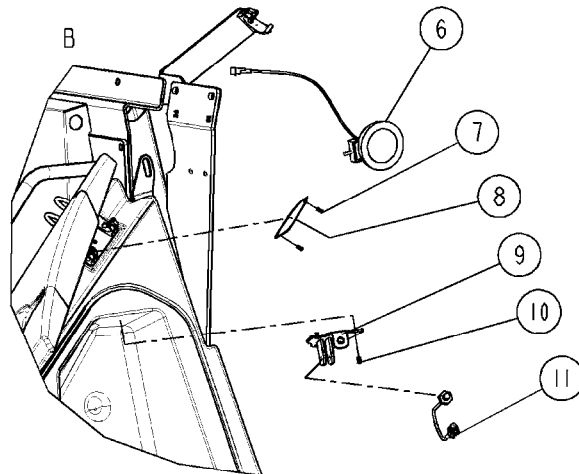
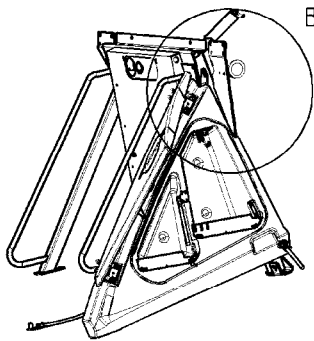
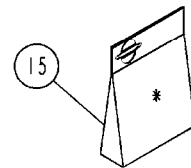
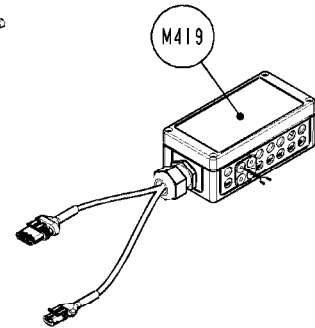
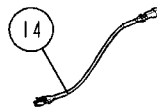
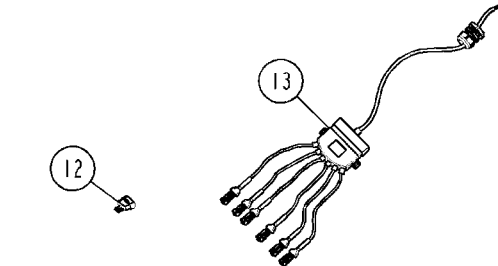
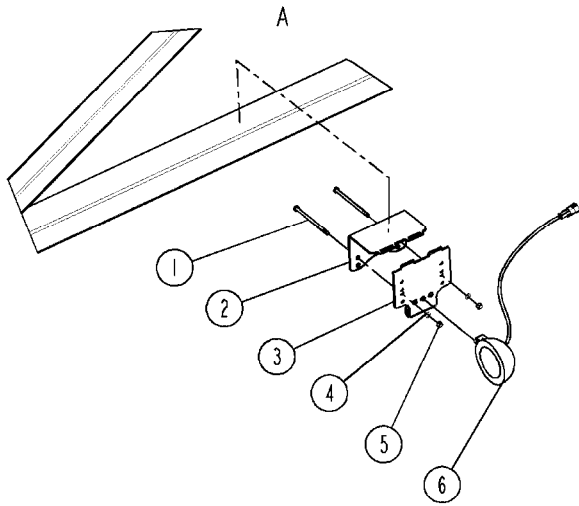
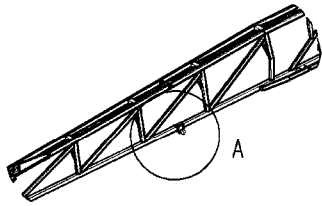


HC 85/9500 TRACTOR W.CABIN  
CON.  
M417-HIA, 25:02:13

Page 1

Date 12.08.2020 9:04

| Pos. | parts-n° | order qty | description                            |
|------|----------|-----------|--|
| 1    | 26040200 | 1         | DISPLAY CABLE, HC85/9500, 12' (ISOBUS) |
| 2    | 26040100 | 1         | RELAY, POWER CONTROL, AGLEADER         |
| 3    | 26040900 | 1         | POWER CABLE DISPLAY/GUIDANCE, 15'      |
| 4    | 26040700 | 1         | ISOBUS CAB TEE CABLE                   |
| 5    | 26031500 | 1         | CABLE ISO CABIN GRIP SETBOX            |



**M418**

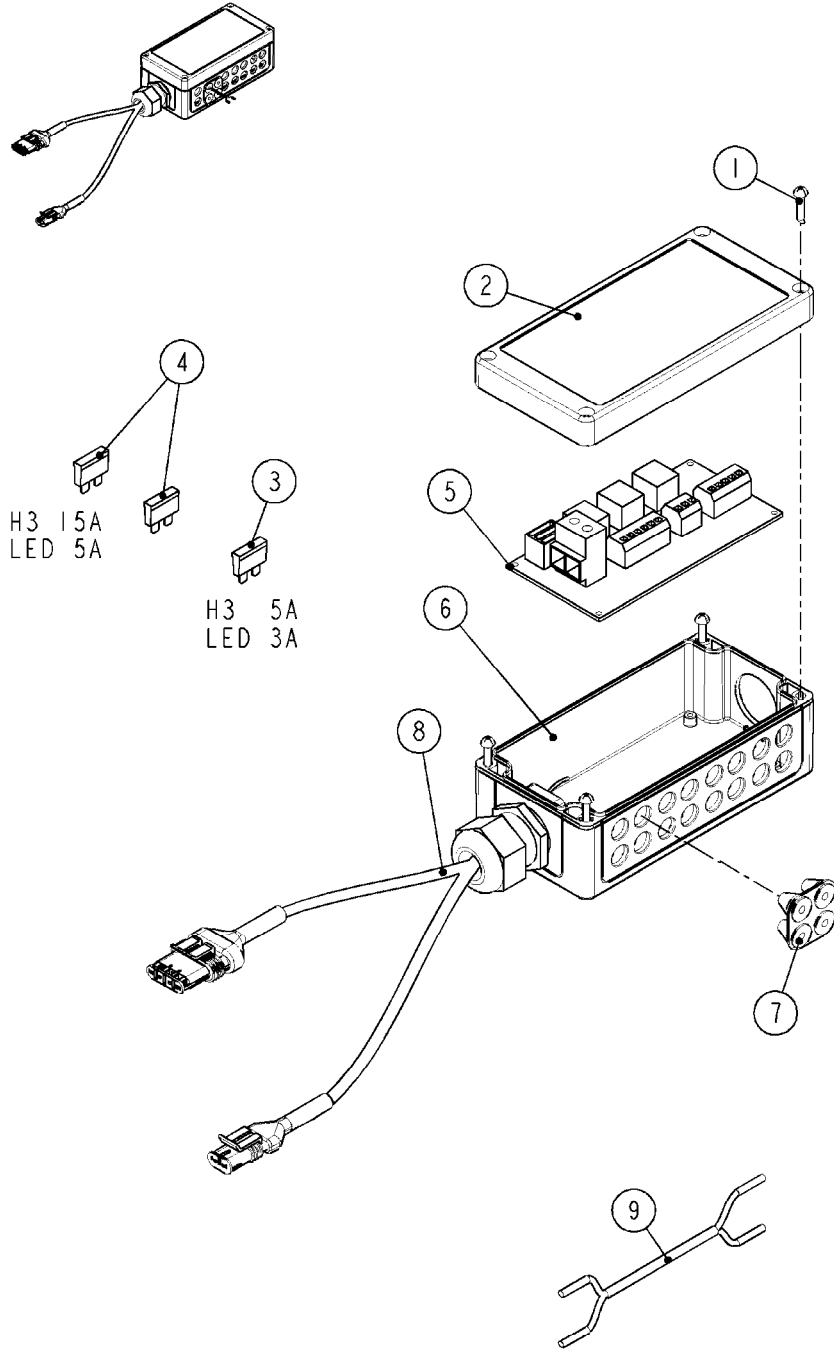




BOOMLIGHT AND WORKLIGHT  
M418-HIA, 12:05:20

Page 1  
Date 12.08.2020 9:04

| Pos. | parts-n° | order qty | description                       |
|------|----------|-----------|-----------------------------------|
| 1    | 410266   | 1         | BOLT HEX 8.8 DEL M6X120           |
| 1    | 410443   | 1         | BOLT HEX 8.8 DEL M6X70            |
| 1    | 410524   | 1         | BOLT HEX 8.8 DEL M6X100           |
| 1    | 410561   | 1         | BOLT HEX 8.8 DEL M6X50 FT         |
| 1    | 410605   | 1         | BOLT HEX 8.8 DEL M6X80            |
| 2    | 16446300 | 1         | BOOM LIGHT, BOTTOM BRKT 100X60    |
| 2    | 16437800 | 1         | BOOM LIGHT, BOTTOM BRKT 80X80     |
| 2    | 16432300 | 1         | BOOM LIGHT, BOTTOM BRKT 60X60     |
| 2    | 16432100 | 1         | BOOM LIGHT, BOTTOM BRKT 50X50     |
| 2    | 16422300 | 1         | LOWER BRACKET 30X30 BOOMLIGHT     |
| 3    | 16446100 | 1         | BOOM LIGHT, TOP BRKT LONG         |
| 3    | 16437600 | 1         | BOOM LIGHT, TOP BRKT PAINTED      |
| 3    | 16422100 | 1         | BOOM LIGHT, TOP BRKT RED          |
| 4    | 471125   | 1         | WASHER M6U 6.4X14X1.2,A2 SS       |
| 5    | 460261   | 1         | NUT HEX M6X1.00 LOCK DIN985 A2 SS |
| 6    | 26054600 | 1         | LED BOOM LIGHT 13W MODUL 70       |
| 7    | 44076700 | 1         | PT SCREW 60X20 TX FLANGE A2 SS    |
| 8    | 16427300 | 1         | SHEET F. WORKLIGHT SENSOR         |
| 9    | 61075600 | 1         | BRACKET F. HC6200                 |
| 10   | 440709   | 1         | SCREW 60X12 CHEM.FILL HANDLE      |
| 11   | 28047500 | 1         | INDUCTIV SENSOR M12 L1M           |
| 12   | 33520400 | 1         | CAP, AMP, 2P, FEMALE              |
| 13   | 26055000 | 1         | WORK LIGHT HARNESS L=13 M         |
| 14   | 26084900 | 1         | CABLE SS 2P F-SS 2P M L=600MM     |
| 14   | 26085100 | 1         | CABLE SS 2P F-SS 2P M L=1.5 M     |
| 14   | 26085000 | 1         | Cable SS 2p F-SS 2p M L=1050mm    |
| 14   | 26085200 | 1         | Cable SS 2p F-SS 2p M L=1950mm    |
| 14   | 26085300 | 1         | CABLE SS 2P F-SS 2P M L=3000MM    |
| 14   | 26085400 | 1         | Cable SS 2p F-SS 2p M L=7200mm    |
| 14   | 26085500 | 1         | Cable SS 2p F-SS 2p M L=8400mm    |
| 14   | 26092700 | 1         | Cable SS 2p F-SS 2p M L=9000mm    |
| 14   | 26092800 | 1         | Cable SS 2p F-SS 2p M L=10800mm   |
| 15   | 24263900 | 1         | SEAL AMP SS 2P VITON              |



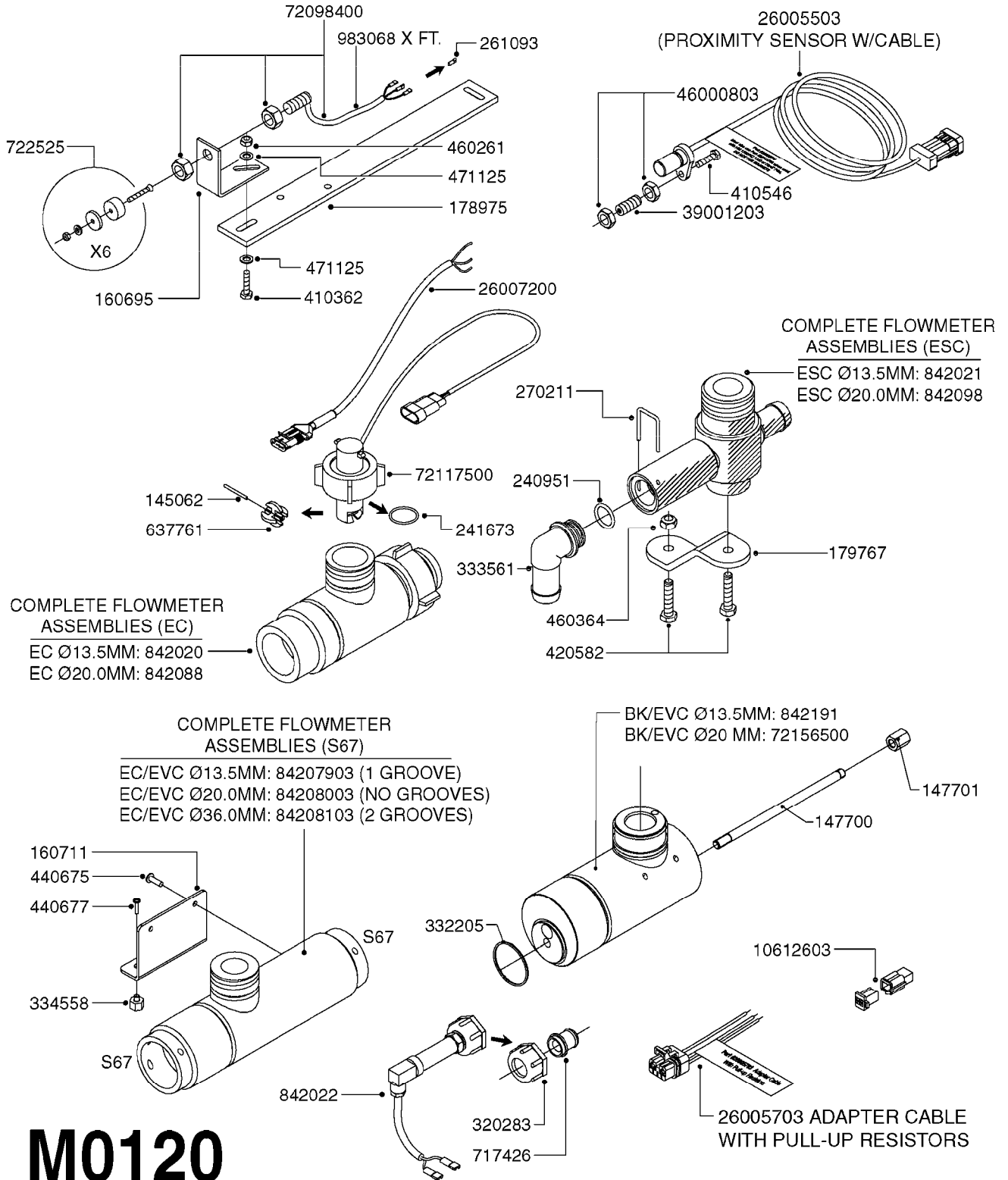
**M419**



WORK LIGHT JUNCTION BOX '13  
M419-HIA, 10:03:14

Page 1  
Date 12.08.2020 9:04

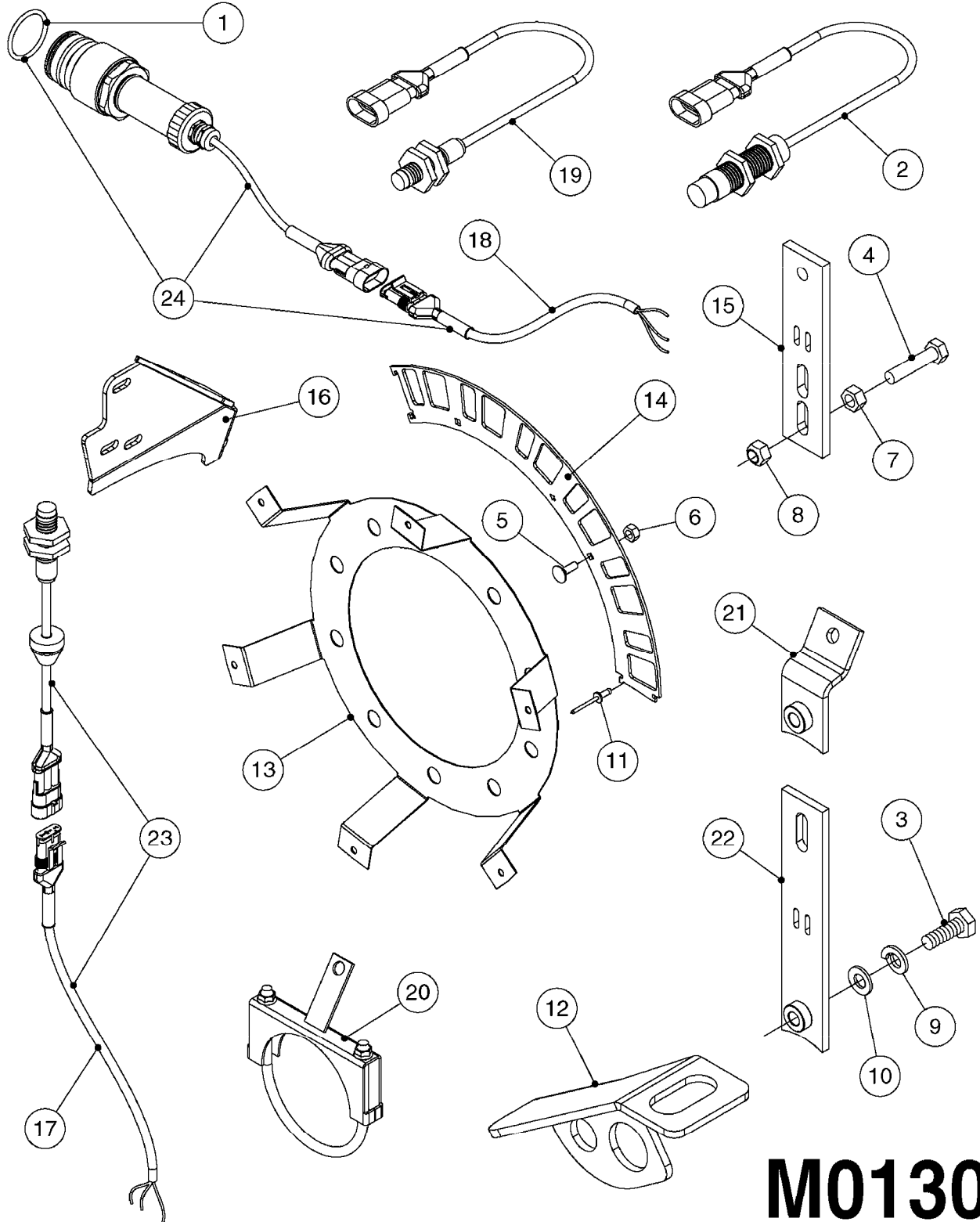
| Pos. | parts-n° | order qty | description                          |
|------|----------|-----------|--------------------------------------|
| 1    | 280258   | 1         | SCREW F. BOX LID 1/4" L=18           |
| 2    | 33508800 | 1         | LID 160X80X15 BLK W/SCREWS           |
| 3    | 261762   | 1         | Fuse 5A ATOF Series                  |
| 4    | 28048600 | 1         | FULE 15A ATOF SERIES                 |
| 5    | 26057300 | 1         | WORK LIGHT PCB 13                    |
| 6    | 33514300 | 1         | BOX 160X80X40 BLACK 1+16+1 HOLES     |
| 7    | 28048200 | 1         | WIRE GROMET RUBBER 4 HOLE            |
| 8    | 72952600 | 1         | CABLE KIT, WORKLIGHT POWER & CONTROL |
| 9    | 72679000 | 1         | CABLE ROUTE PHARE TRAVAIL            |



# M0120



| parts-n° | order qty | description                       |
|----------|-----------|-----------------------------------|
| 145062   | 1         | ROTOR SHAFT                       |
| 147700   | 1         | STUD BOLT M8 X 158MM              |
| 147701   | 1         | NUT HEX M8 STAINLESS L=16         |
| 160695   | 1         | BRACKET F.SENSOR                  |
| 160711   | 1         | BRACKET FOR FLOW METER            |
| 178975   | 1         | MOUNT BRACKET F. SPEED SENSOR     |
| 179767   | 1         | FLOW SENSOR MOUNTING BRACKET      |
| 240951   | 1         | O-RING D21.2X3 NITRIL             |
| 241673   | 1         | O-RING D22.1X1.6                  |
| 261093   | 1         | SPADE F.ELEC.WIRE DK 2.8X0.8      |
| 270211   | 1         | FITT.DK S25 FORK L=37.5           |
| 320283   | 1         | FITT.DK NUT 3/4"BSP               |
| 332205   | 1         | O-RING D43/39XD2                  |
| 333561   | 1         | FITT.DK ELB.1" EC RETURN          |
| 334558   | 1         | NUT HEX PLASTIC INSERT            |
| 410362   | 1         | BOLT HEX 8.8 SS M6X20             |
| 410546   | 1         | BOLT HEX M6X12 A2 SS DIN933       |
| 420582   | 1         | BOLT HEX 8.8 DEL M8X20 FT A2      |
| 440675   | 1         | SCREW F. PLASTIC 5X16 SS          |
| 440677   | 1         | SCREW F. PLASTIC 5X20 SS          |
| 460261   | 1         | NUT HEX M6X1.00 LOCK DIN985 A2 SS |
| 460364   | 1         | NUT HU M8 A2 SS DIN934            |
| 471125   | 1         | WASHER M6U 6.4X14X1.2,A2 SS       |
| 637761   | 1         | ROTOR F.FLOWMETER - PILOT         |
| 717426   | 1         | FITT.DK REDUC 1/4"BSP F.3/4"N     |
| 722525   | 1         | MONITOR MAGNETS SET OF 8PCS       |
| 842020   | 1         | HP FLOW METER EC 2-30 GPM         |
| 842021   | 1         | HP FLOW METER ESC 2-30 GPM        |
| 842022   | 1         | HP PRESS. TRANSDUCER 0-150 PSI    |
| 842088   | 1         | HP FLOW METER EC 4-70 GPM         |
| 842098   | 1         | HP FLOW METER ESC 4-70 GPM        |
| 842191   | 1         | HP FLOW METER BK/EVC 2-30 GPM     |
| 983068   | 1         | ELEC. CABLE 3 WIRE X .25MM HP     |
| 10612603 | 1         | KIT PLUG 6 PIN F.PILOT MONITOR    |
| 26005503 | 1         | SPEED SENSOR/CABLE ASSY PROX      |
| 26005703 | 1         | *SPEED SENS ADPT CBLE W PULLUP    |
| 26007200 | 1         | CABLE 3POL AMP FEMALE L13M        |
| 39001203 | 1         | THREAD PLST 1/2-13UNCXM6X1L=1"    |
| 46000803 | 1         | NUT, 1/2-13 THIN                  |
| 72098400 | 1         | SPEED SENSOR W/CABLE 10000MM      |
| 72117500 | 1         | FLOW SENSOR - M.AMP L=1M          |
| 72156500 | 1         | HP FLOW METER PIN 4-70 GPM 20Ø    |
| 84207903 | 1         | FLOW METER,2-30 GPM,S67,CAL       |
| 84208003 | 1         | FLOW METER,4-70 GPM,S67,CAL       |
| 84208103 | 1         | FLOW METER,20-160 GPM,S67,CAL     |



**M0130**



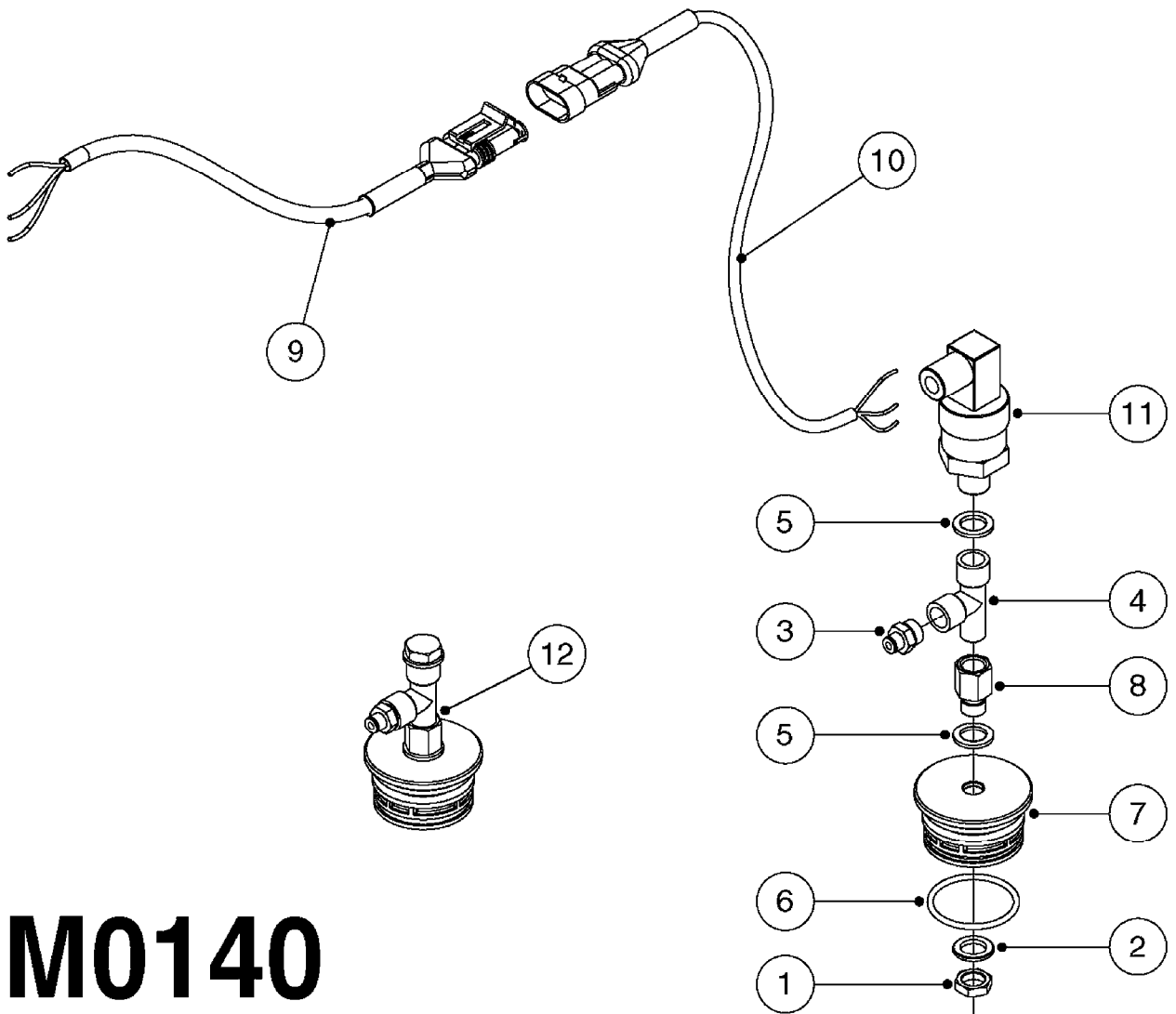
COMMON SENSORS AND BRACKETS  
M0130-HIN, 12:12:16

Page 1  
Date 12.08.2020 9:04

| Pos. | parts-n° | order qty | description                       |
|------|----------|-----------|-----------------------------------|
| 1    | 242354   | 1         | O-RING D32.2X3.0 VITON            |
| 2    | 285855   | 1         | SENSOR INDUCTIVE M18 W/WIRE       |
| 3    | 430286   | 1         | BOLT HEX 8.8 DEL M12X30 FT        |
| 4    | 430870   | 1         | BOLT HEX 8.8 DEL M12X55 FT        |
| 5    | 440695   | 1         | BOLT CARRIAGE M8X25               |
| 6    | 460143   | 1         | LOCK NUT M8 SST A2 DIN985         |
| 7    | 460386   | 1         | NUT HEX M12X1.75                  |
| 8    | 460703   | 1         | NUT HEX M12X1.75 LOCK DIN985A2 SS |
| 9    | 470466   | 1         | WASHER D21.1/D12.2X2.5 LOCK       |
| 10   | 471127   | 1         | WASHER, M12, Ø24/13X24X2.5 SS     |
| 11   | 480804   | 1         | RIVET Ø4.8x14.5                   |
| 12   | 16020300 | 1         | BRACKET FOR SPEED SENSOR          |
| 13   | 16094703 | 1         | WHEEL SENSOR MT BKT               |
| 13   | 16182403 | 1         | BRACKET, SPEED RING, PRESIDIO     |
| 14   | 16138203 | 1         | SPEED SENSOR RING NCM 2009 1/3    |
| 15   | 16138403 | 1         | PLATE F. SPEED SENSOR             |
| 16   | 16182303 | 1         | BRACKET, SPEED SENSOR, PR         |
| 17   | 26006100 | 1         | CABLE L = 5.00M, AMP, MALE, 3P    |
| 18   | 26007100 | 1         | CABLE L = 9.00M, AMP, MALE, 3P    |
| 19   | 28047500 | 1         | INDUCTIV SENSOR M12 L1M           |
| 20   | 61000603 | 1         | SPEED SNS MNT CLAMP F/DLS 4.5"    |
| 21   | 61010703 | 1         | SPEED SENSOR BKT NCM NON-S OLD    |
| 22   | 61015803 | 1         | SPEED SENSOR BKT NCM 2010         |
| 23   | 72050100 | 1         | TWIN RPM SENSOR HN                |
| 24   | 72534000 | 1         | TANK LEVEL ELEC SENSOR KIT 9M     |



PRESSURE SENSOR - AMP  
M0140-HIN, 01:01:16



# M0140



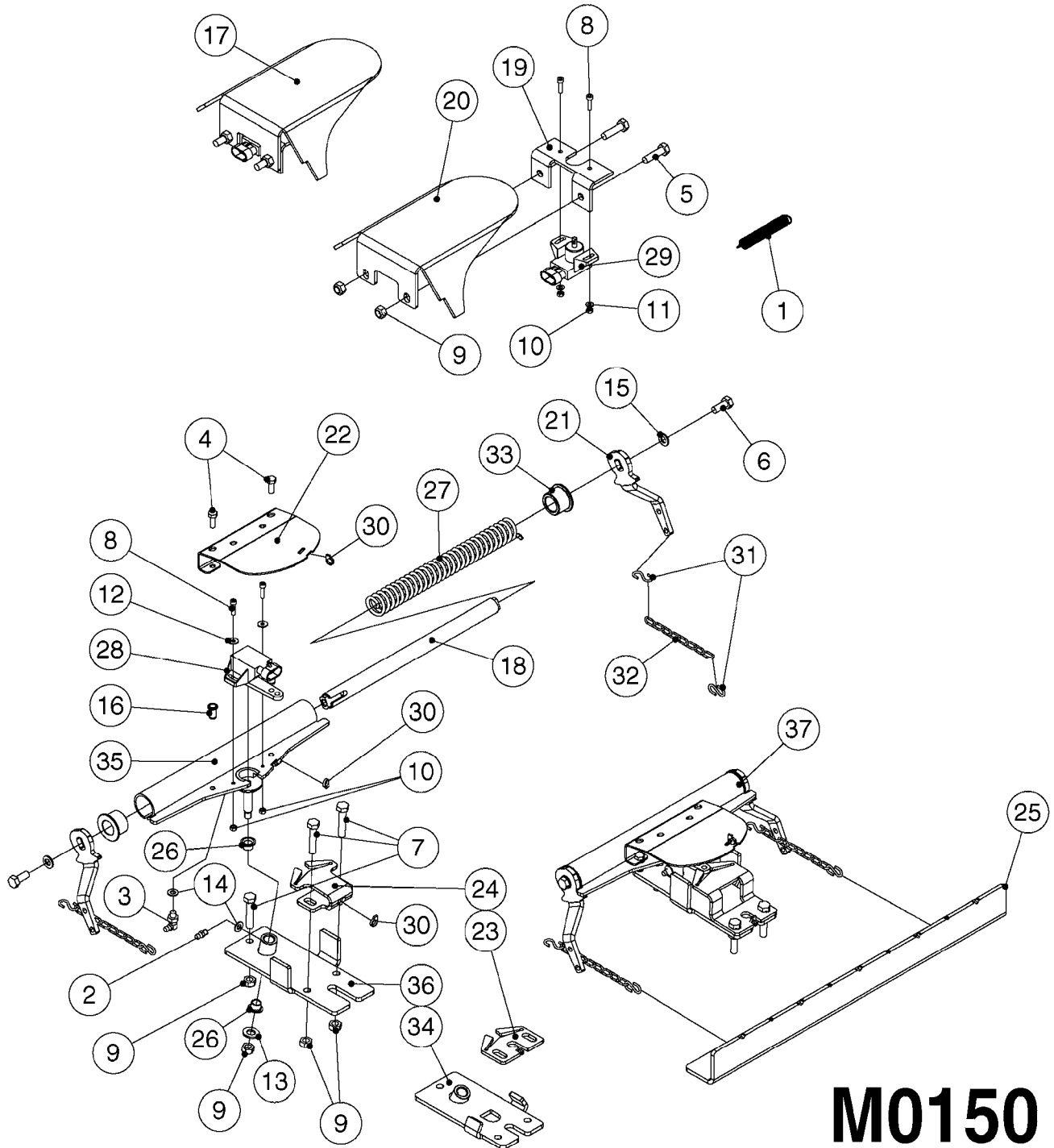


PRESSURE SENSOR - AMP  
M0140-HIN, 01:01:16

Page 1

Date 12.08.2020 9:04

| Pos. | parts-n° | order qty | description                      |
|------|----------|-----------|----------------------------------|
| 1    | 141341   | 1         | NUT 1/4' BSP                     |
| 2    | 145631   | 1         | WASHER D21.5/D13.5X2.5 BRASS     |
| 3    | 232230   | 1         | QUICK COUPLER 1/4"BSP X 4 MM     |
| 4    | 232285   | 1         | T-PIECE 1/4" 2 X INT. 1          |
| 5    | 241404   | 1         | DOWTY SEAL 1/4"                  |
| 6    | 242353   | 1         | O-RING 3 X 44.2 VITON            |
| 7    | 391135   | 1         | FITT. S67 PLUG W/13.2Ø HOLE      |
| 8    | 14076900 | 1         | NIPPLE 1/4" I-1/4" U L=28.5 SS   |
| 9    | 26007000 | 1         | CABLE L = 0.20M, AMP, MALE, 3P   |
| 10   | 26007300 | 1         | CABLE L = 1.00M, AMP, FEMALE, 3P |
| 11   | 26026200 | 1         | PRESSURE TRANS. 0-10BAR 4-20mA   |
| 12   | 72553900 | 1         | S67 W/T-PIECE F. PRES. TRANS.    |



**M0150**



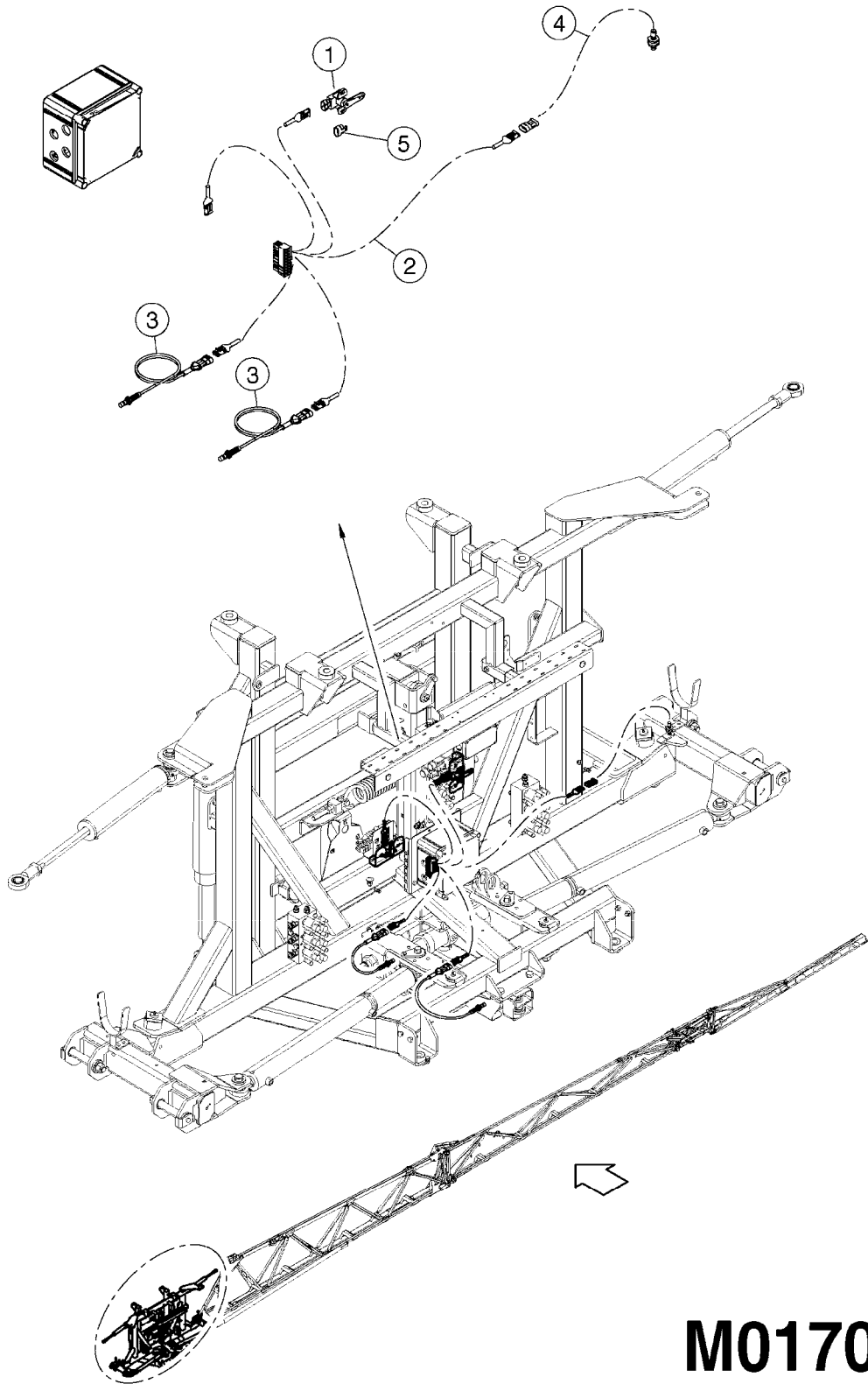
ANGLE SENSOR NCM  
M0150-HIN, 01:01:16

Page 1  
Date 12.08.2020 9:04

| Pos. | parts-n° | order qty | description   |
|------|----------|-----------|---|
| 1    | 220947   | 1         | SPRING D13.0/1,2 L=90 RST   |
| 2    | 283699   | 1         | GREASE NIPPLE M6X1  |
| 3    | 283772   | 1         | GREASE NIPPLE M6X1 90°  |
| 4    | 410185   | 1         | BOLT HEX 8.8 DEL M6X16  |
| 5    | 420567   | 1         | BOLT HEX 8.8 DEL M8X30 FT   |
| 6    | 420582   | 1         | BOLT HEX 8.8 DEL M8X20 FT A2                                      |
| 7    | 420744   | 1         | BOLT HEX 8.8 DEL M8X40  |
| 8    | 450902   | 1         | BOLT ALLEN HEAD M4 X 16MM   |
| 9    | 460143   | 1         | LOCK NUT M8 SST A2 DIN985   |
| 10   | 461145   | 1         | NUT HEX M4 LOCK   |
| 11   | 471037   | 1         | SCREW A 4,3 DIN 125   |
| 12   | 471087   | 1         | WASHER D12.0/4.3X1.0  |
| 13   | 471122   | 1         | WASHER, M10, Ø20/10.5X 2.0, SS                                    |
| 14   | 471125   | 1         | WASHER M6U 6.4X14X1.2,A2 SS                                       |
| 15   | 471126   | 1         | WASHER, M8, Ø16/ 8.4X 1.6, SS                                     |
| 16   | 480811   | 1         | BLIND FASTENER M6 STAINLESS                                       |
| 17   | 741841   | 1         | ANGLE SENSOR AND BRACKET REAR                                     |
| 18   | 14052100 | 1         | AXLE D19 L=294/2XM8 STAINLESS                                     |
| 19   | 16125700 | 1         | BRACKET FOR ANGLE SENSOR  |
| 20   | 16142200 | 1         | GUARD PLATE FOR SENSOR  |
| 21   | 16173200 | 1         | PLATE 6.0X134X42/2XD6/2XBENDS                                     |
| 22   | 16173400 | 1         | PLATE 2.0X145.3X130/3XBENDS                                       |
| 23   | 16173600 | 1         | PLATE 4.0X70X56<br>NCM 4400                                       |
| 24   | 16174100 | 1         | PLATE 4.0X120X70/2XBENDS<br>NCM 6600                              |
| 25   | 16174300 | 1         | BKT F. TRACTOR NCM STEE-UPDATE                                    |
| 26   | 21089300 | 1         | BUSHING D12/10 L=9  |
| 27   | 22096500 | 1         | TORSION SPRING D24/4.0 L=242                                      |
| 28   | 26005700 | 1         | ANGLE SENSOR 70° 0.5-4.5 VDC + LEVER                              |
| 29   | 26005800 | 1         | ANGLE SENSOR 120° 0.5-4.5 VDC + LEVER                             |
| 30   | 28024103 | 1         | TIE STRAP L=8" x W=3/16"  |
| 31   | 28045800 | 1         | S-HOOK 3MM STAINLESS STEEL  |
| 32   | 28058400 | 1         | CHAIN SS 8x16x2.0 L=600   |
| 33   | 39124400 | 1         | BUSHING D28.5/19.1 L=21   |
| 34   | 61019200 | 1         | FRONT SENSOR BRACKET NCM4400                                      |
| 35   | 61019300 | 1         | FRONT SENSOR MT.THREADED HOLES                                    |
| 36   | 61019500 | 1         | FRONT SENSOR BRACKET NCM6600                                      |
| 37   | 72564800 | 1         | STEERING SENSOR NCM4400<br>FRONT STEERING SENSOR COMPLETE NCM4400 |
| 37   | 72565000 | 1         | STEERING SENSOR NCM6600<br>FRONT STEERING SENSOR COMPLETE NCM6600 |



TERRA FORCE BOOM SENSORS  
M0170-HIN, 04:12:17



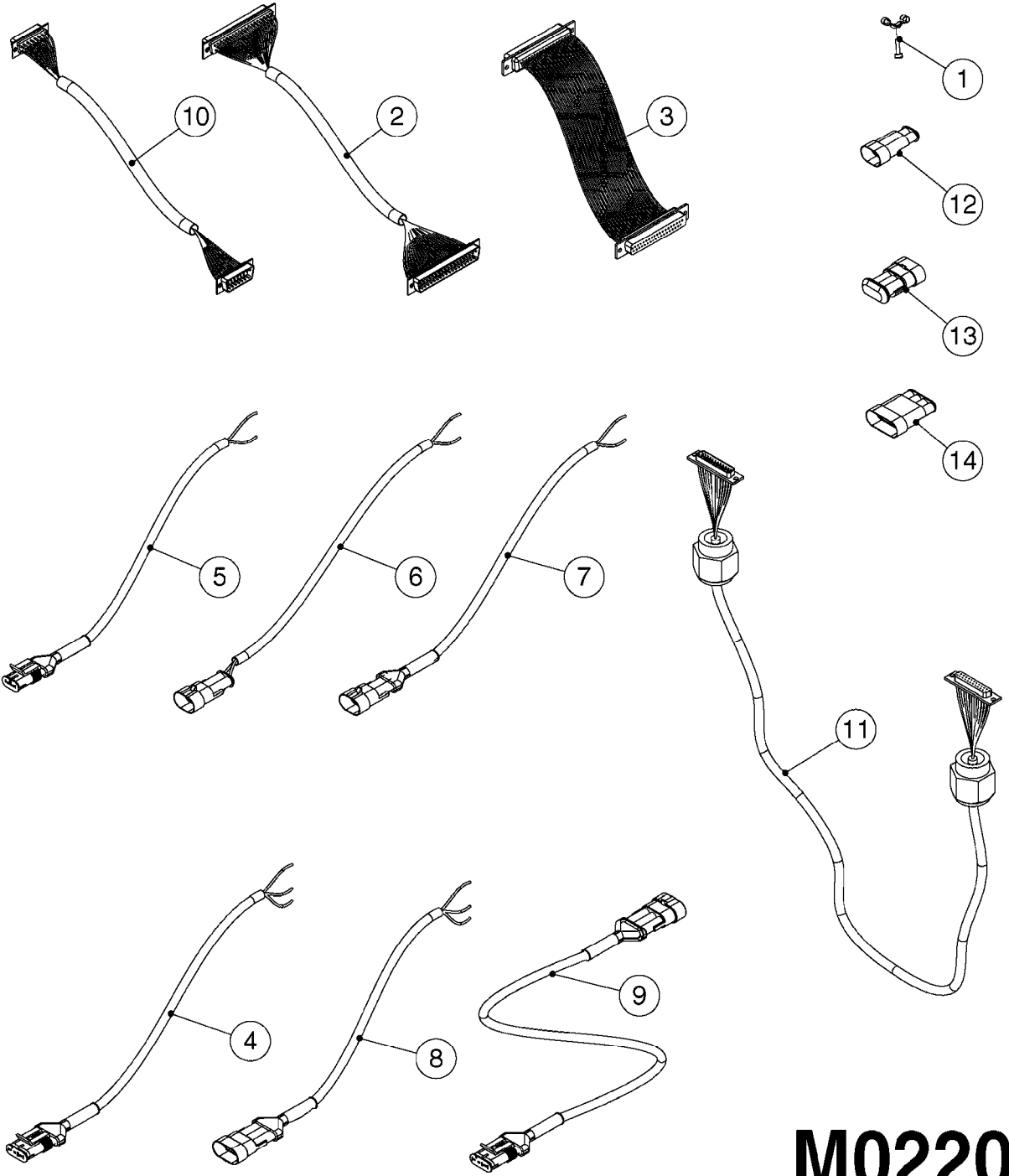
**M0170**



TERRA FORCE BOOM SENSORS  
M0170-HIN, 04:12:17

Page 1  
Date 12.08.2020 9:04

| Pos. | parts-n° | order qty | description                                 |
|------|----------|-----------|---|
| 1    | 26005800 | 1         | ANGLE SENSOR 120° 0.5-4.5 VDC + LEVER       |
| 2    | 26034400 | 1         | CABLE SENSOR TO HY JUNCBOX TDZ              |
| 3    | 28102400 | 1         | INDUCTIVE SENSOR M12 F. CYL.                |
| 4    | 28129300 | 1         | INDUCTIVE SENSOR UNSHIELDED M12 L=1M SD=8MM |
| 5    | 33520500 | 1         | CAP, AMP, 3P, FEMALE                        |



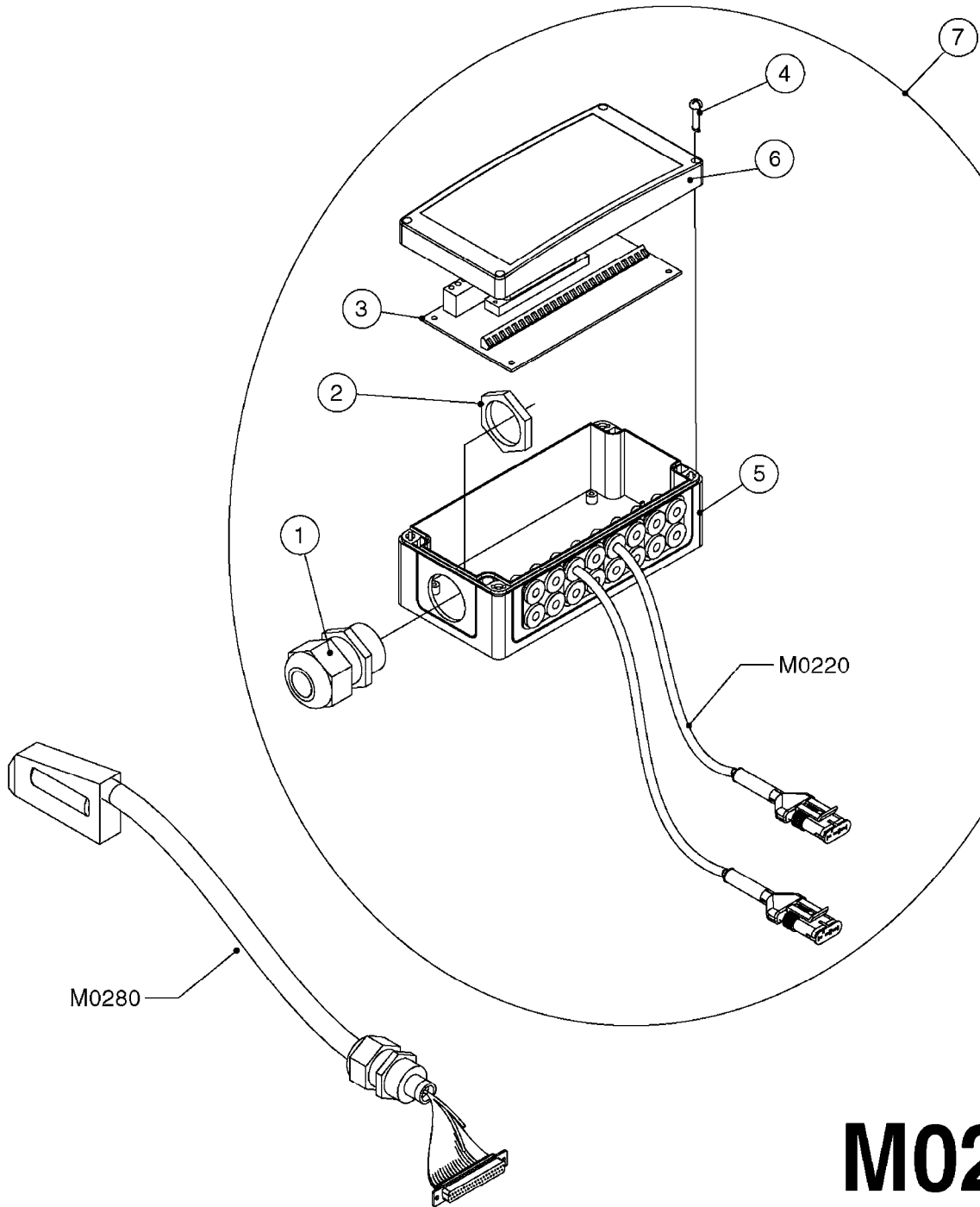
**M0220**



CABLES  
M0220-HIN, 12:05:18

Page 1  
Date 12.08.2020 9:04

| Pos. | parts-n° | order qty | description                       |
|------|----------|-----------|-----------------------------------|
| 1    | 262150   | 1         | SCREW ASSM.FOR D-SUB PLUG         |
| 2    | 26004900 | 1         | CABLE FEM/MALE 37P L=9.5M         |
| 3    | 26005900 | 1         | WIRE 37/37 POLE DAH/JOB COM       |
| 4    | 26006000 | 1         | LEAD F AMP SUPERSEAL 3 WAYS L1,5M |
| 4    | 26006100 | 1         | CABLE L = 5.00M, AMP, MALE, 3P    |
| 4    | 26007000 | 1         | CABLE L = 0.20M, AMP, MALE, 3P    |
| 4    | 26007100 | 1         | CABLE L = 9.00M, AMP, MALE, 3P    |
| 4    | 26007200 | 1         | CABLE 3POL AMP FEMALE L13M        |
| 5    | 26006200 | 1         | CABLE L = 4.50M, AMP, MALE, 2P    |
| 5    | 26006300 | 1         | CABLE L = 0.50M, AMP, MALE, 2P    |
| 5    | 26006400 | 1         | CABLE L = 0.75M, AMP, MALE, 2P    |
| 5    | 26006500 | 1         | CABLE L = 1.50M, AMP, MALE, 2P    |
| 5    | 26006600 | 1         | CABLE L = 9.00M, AMP, MALE, 2P    |
| 6    | 26006700 | 1         | CABLE L = 0.12M, AMP, FEMALE, 2P  |
| 7    | 26006800 | 1         | CABLE L = 1.00M, AMP, FEMALE, 2P  |
| 8    | 26007300 | 1         | CABLE L = 1.00M, AMP, FEMALE, 3P  |
| 9    | 26007400 | 1         | CABLE L = 3.00M, AMP, EXT, 3P     |
| 9    | 26009800 | 1         | CABLE L = 0.50M, AMP, EXT, 2P     |
| 10   | 26007500 | 1         | CABLE FEM/FEM 15P L=3.5M          |
| 11   | 26016900 | 1         | CABLE DB25M - DB25F L=8.5m        |
| 12   | 72450600 | 1         | CAP F. AMP SUPER SEAL 2P PLUG     |
| 13   | 72450700 | 1         | CAP F. AMP SUPER SEAL 3P PLUG     |
| 14   | 72450800 | 1         | CAP F. AMP SUPER SEAL 4P PLUG     |



# M0230

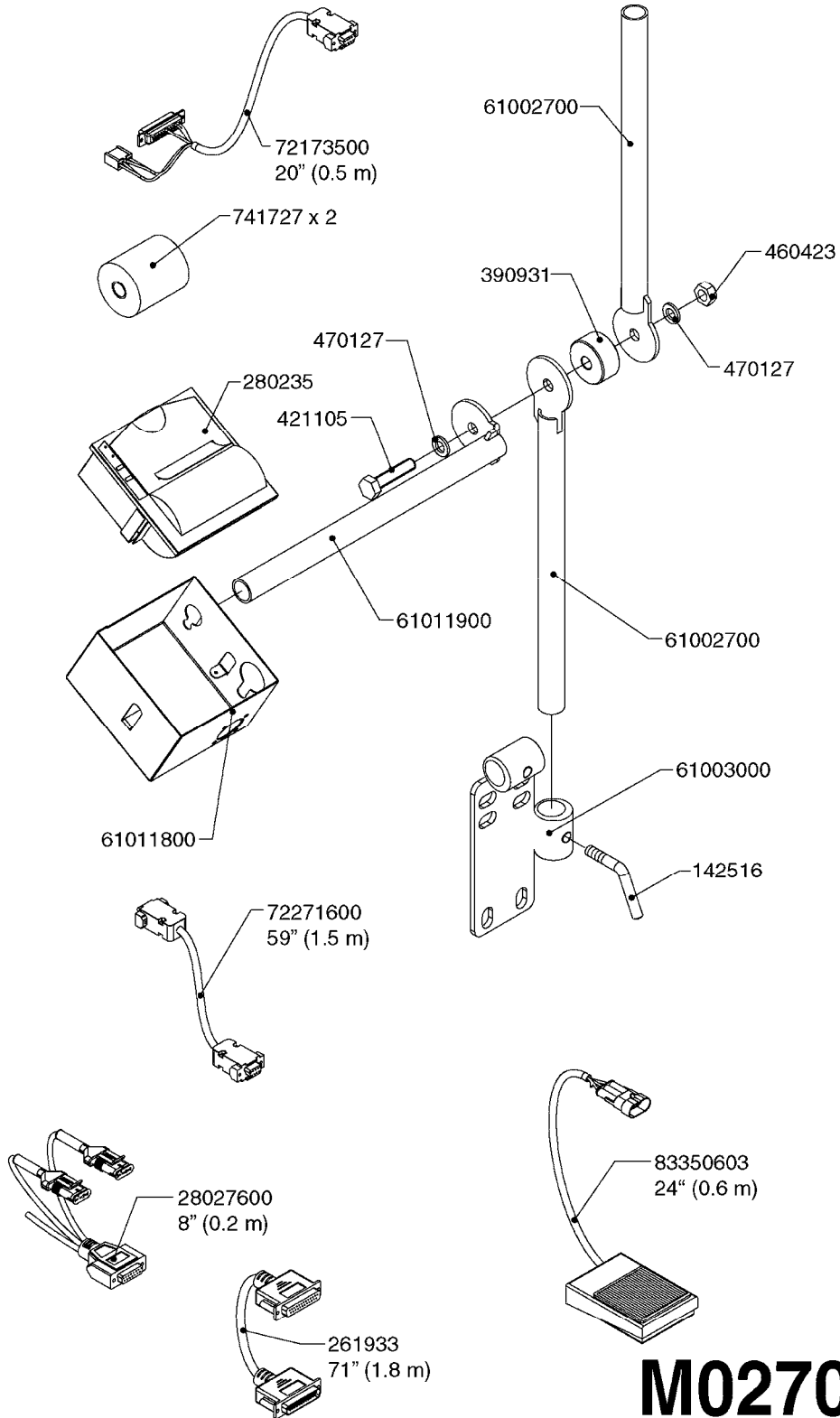




JUNCTION BOX - LIQUID  
M0230-HIN, 01:01:16

Page 1  
Date 12.08.2020 9:04

| Pos. | parts-n° | order qty | description                                |
|------|----------|-----------|--|
| 1    | 262106   | 1         | BULKHEAD F. CABLE 6.5-14 BLACK             |
| 2    | 262107   | 1         | NUT F. BULKHEAD CABLE GRAY                 |
| 3    | 26004800 | 1         | CIRCUIT BD SEC VLV NCM 13SEC<br>13 SECTION |
| 3    | 72173900 | 1         | CIRCUIT BD SEC VLV 39PIN 9SEC<br>9 SECTION |
| 4    | 28082100 | 1         | SCREW F. BOX LID 1/4" L=20                 |
| 5    | 33508700 | 1         | BOX BOTTOM 160X80X40 BLACK 1-HOLE          |
| 6    | 33508800 | 1         | LID 160X80X15 BLK W/SCREWS                 |
| 7    | 72115400 | 1         | CONNECTION BOX F. OP. UNIT SV9             |





HC 5500 ACCESSORIES  
M0270-HIN, 01:01:16

Page 1

Date 12.08.2020 9:04

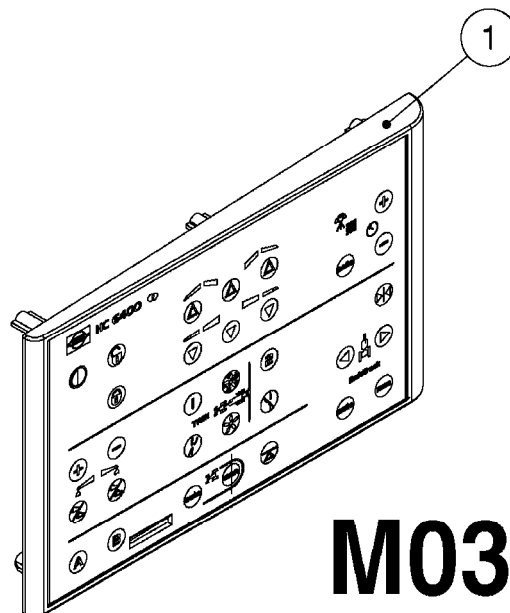
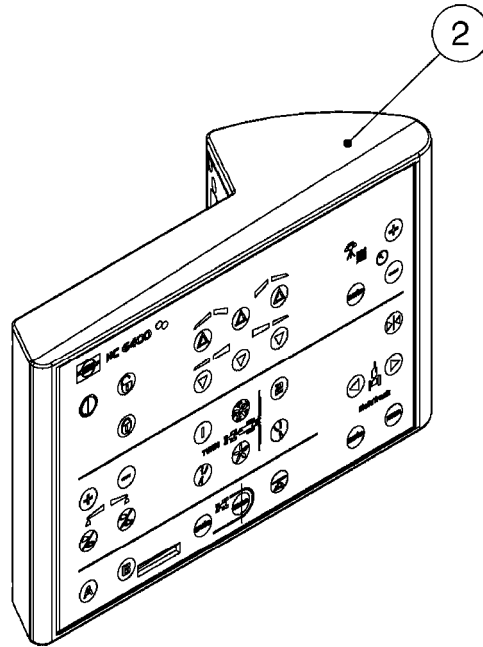
| parts-n° | order qty | description                       |
|----------|-----------|-----------------------------------|
| 142516   | 1         | SCREW SET M10 BENT F. LOCKING     |
| 261933   | 1         | CABLE W/PLUG 2X25 L=71"           |
| 280235   | 1         | HARDI PRINTER WITH CLOCK          |
| 390931   | 1         | PLASTIC SPACER D40XD11 L=20       |
| 421105   | 1         | M10X45 MACHINE SCREW STAINLESS    |
| 460423   | 1         | NUT HEX M10X1.50 LOCK DIN985A2 SS |
| 470127   | 1         | WASHER D15D10X2 M10 LOCK          |
| 741727   | 1         | PAPER, THERMAL, HC5500 PRINTER    |
| 28027600 | 1         | WIRE HC5500 AUX.                  |
| 61002700 | 1         | TUBE BRACKET F.TRACTOR MOUNT      |
| 61003000 | 1         | BRACKET F.TRACTOR MOUNT           |
| 61011800 | 1         | BOX FOR HARDI PRINTER             |
| 61011900 | 1         | TUBE BRACKET F.TRACTOR MOUNT      |
| 72173500 | 1         | WIRE F.PRINTER HC5500 L=20"       |
| 72271600 | 1         | HC5500 COMMUNICATION CABLE        |
| 83350603 | 1         | FOOT SWITCH HC5500 CONTROL        |



HC6400 SETBOX  
M0330-HIN, 01:01:16

Page 0

Date 12.08.2020 9:04



**M0330**



HC6400 SETBOX  
M0330-HIN, 01:01:16

Page 1

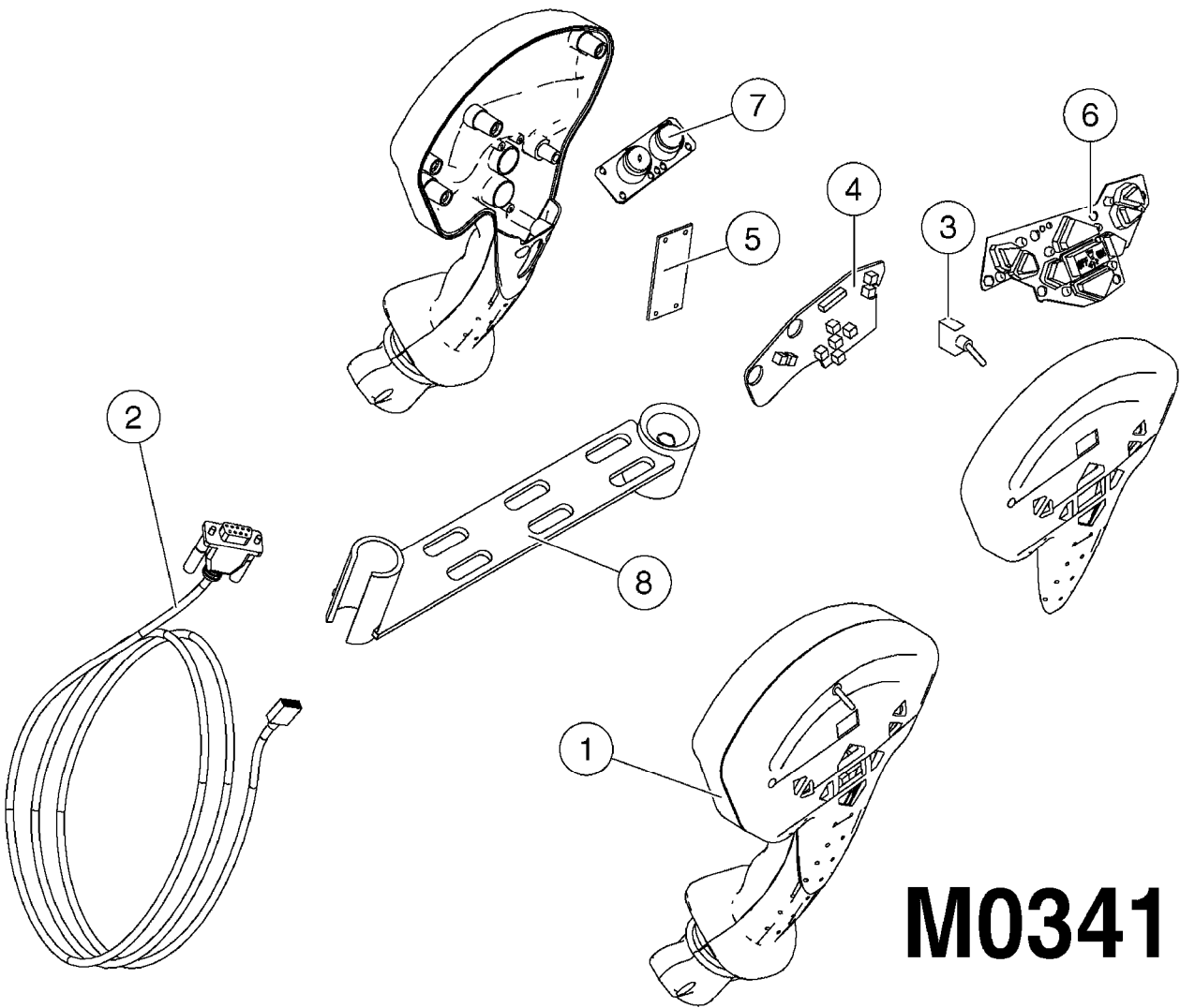
Date 12.08.2020 9:04

| Pos. | parts-n° | order qty | description                    |
|------|----------|-----------|--------------------------------|
| 1    | 33508000 | 1         | HC6400 SETBOX FRONT BLACK/GREY |
| 2    | 72365100 | 1         | HC6400 SETBOX                  |



HC6301 GRIP ISO  
M0341-HIN, 26:07:16

|      |                 |
|------|-----------------|
| Page | 0               |
| Date | 12.08.2020 9:04 |



**M0341**

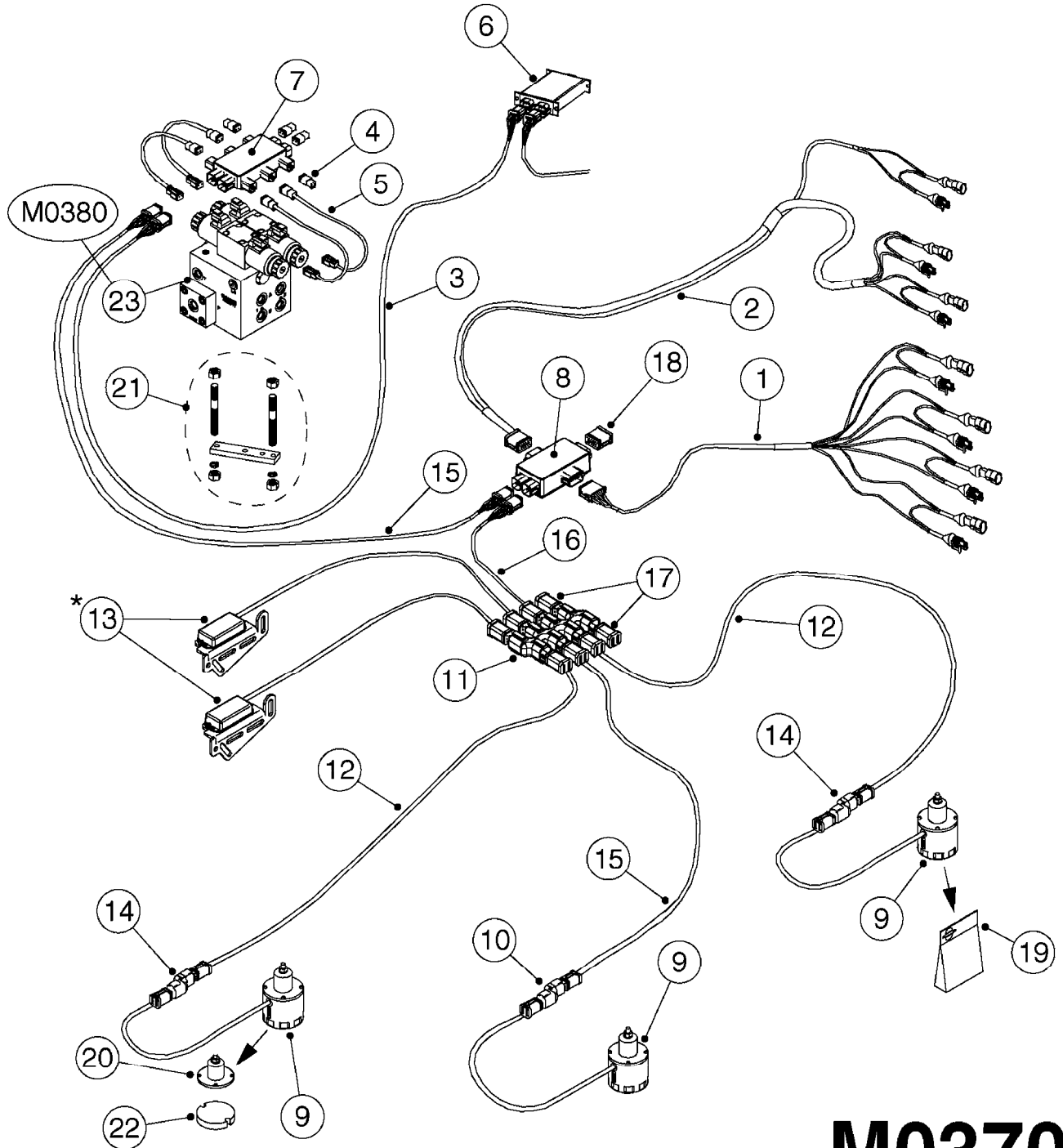


HC6301 GRIP ISO  
M0341-HIN, 26:07:16

Page 1

Date 12.08.2020 9:04

| Pos. | parts-n° | order qty | description                     |
|------|----------|-----------|---------------------------------|
| 1    | 26057100 | 1         | HC6301 GRIP 3 ISO               |
| 1    | 26032900 | 1         | HC 6301 GRIP 4 ISO              |
| 1    | 26036600 | 1         | HC 6301 GRIP 5 ISO              |
| 1    | 26033000 | 1         | HC 6301 GRIP 6 ISO              |
| 1    | 26033100 | 1         | HC 6301 GRIP 7 ISO              |
| 1    | 26033200 | 1         | HC 6301 GRIP 8 ISO              |
| 1    | 26033300 | 1         | HC 6301 GRIP 9 ISO              |
| 1    | 26034800 | 1         | HC 6301 GRIP 10 ISO             |
| 1    | 26037000 | 1         | HC6301 GRIP 11 ISO              |
| 1    | 26036300 | 1         | HC 6301 GRIP 12 ISO             |
| 1    | 26033400 | 1         | HC 6301 GRIP 13 ISO             |
| 2    | 26033500 | 1         | CABLE HC6300 DB9 GRIP           |
| 3    | 26025400 | 1         | SWITCH FOR HC6300 GRIP SECTION  |
| 4    | 26025600 | 1         | PRINT HY CTRL FOR HC6300 GRIP   |
| 5    | 26025700 | 1         | PRINT TWIN FOR HC6300 GRIP      |
| 6    | 28030000 | 1         | GRIP, 9 SILICONE BUTTONS YELLOW |
| 7    | 28030200 | 1         | GRIP, 2 SILICONE BUTTONS BLACK  |
| 8    | 63051800 | 1         | HOLDER FOR HC6300 GRIP          |



# M0370

**\*CANNOT MIX OLD AND NEW STYLE ROLL SENSORS!**

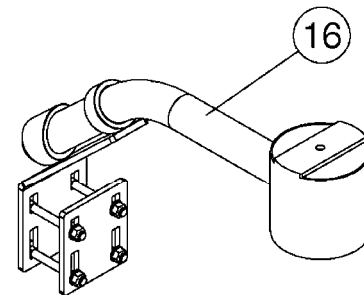
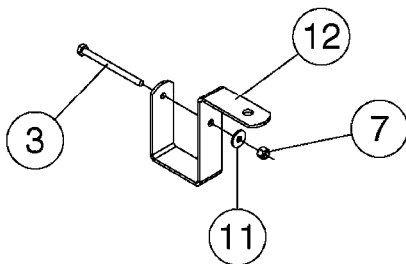
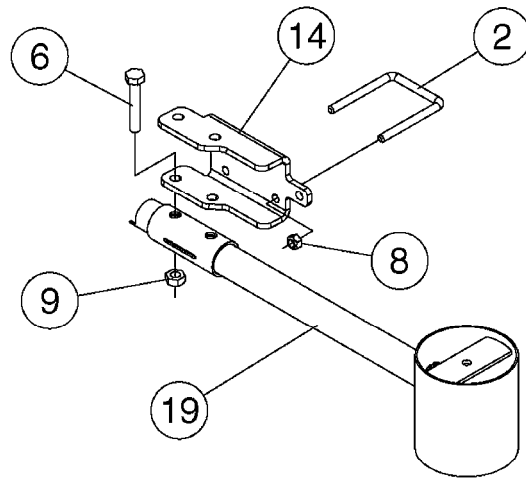
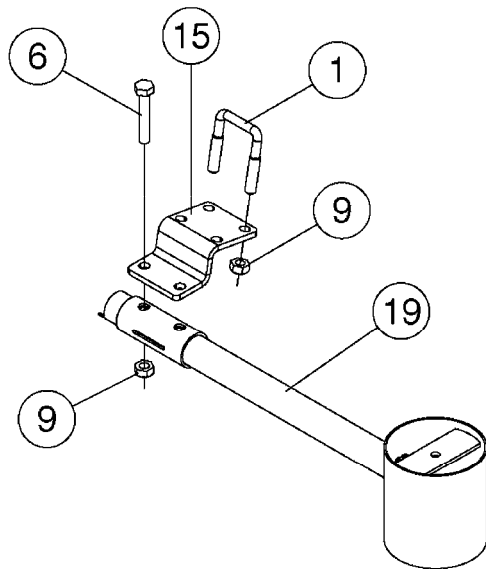
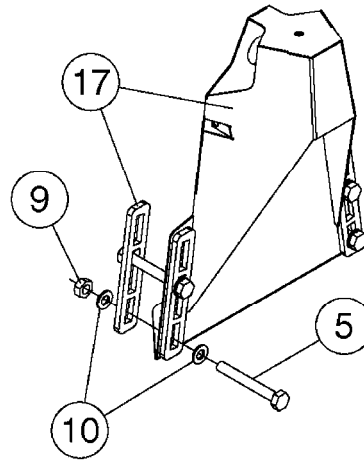
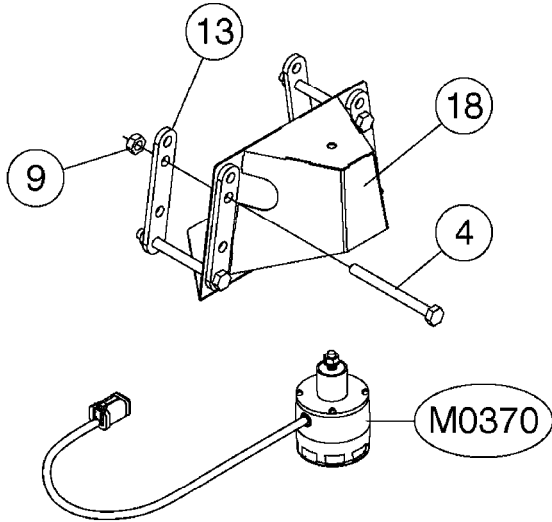
If replacing Norac P/N 43740, must replace both roll sensors with new style (13).  
If unsure, new style (Norac P/N 43741) works with all versions of UC5.





NORAC UC5 BOOM HEIGHT CONTROL  
M0370-HIN, 16:10:18

| Pos. | parts-n° | order qty | description   |
|------|----------|-----------|---|
| 1    | 26022703 | 1         | CABLE, INTERFACE, TILT, NORAC UC5                         |
| 2    | 26023503 | 1         | CABLE UC5 INTERFACE MAIN AMP                              |
| 3    | 26032600 | 1         | CABLE UC5 NETWORK 14 AWG 10M                              |
| 4    | 26043000 | 1         | NORAC UC5 NETWORK 2 PIN PLUG                              |
| 5    | 26043300 | 1         | CABLE UC5 VALVE 2PIN/2PIN DT                              |
| 6    | 26043400 | 1         | NORAC UC5 CONTROLLER MODULE                               |
| 7    | 26043500 | 1         | NORAC UC5 VALVE MODULE                                    |
| 8    | 26043600 | 1         | MODULE, INPUT, NORAC UC5                                  |
| 9    | 26043700 | 1         | SENSOR, NORAC, UC5, ULTRASONIC                            |
| 10   | 26043800 | 1         | NORAC UC5 - UC7 NETWORK COUPLER 2-WAY                     |
| 11   | 26043900 | 1         | NORAC UC5 - UC7 NETWORK COUPLER 8-WAY                     |
| 12   | 26044200 | 1         | CABLE UC5 - UC7 NETWORK 18 AWG 20M                        |
| 13   | 26023803 | 1         | NORAC UC5 ROLL SENSOR<br>OLD STYLE NORAC P/N 43740        |
| 13   | 26044300 | 1         | UC5 - UC7 ROLL SENSOR VER. 2<br>NEW STYLE NORAC P/N 43741 |
| 14   | 26044400 | 1         | NORAC UC5 - UC7 COUPLER 2-WAY/TERM.                       |
| 15   | 26047100 | 1         | CABLE UC5 NETWORK 14 AWG 1M                               |
| 16   | 26049900 | 1         | CABLE UC5 NETWORK 14 AWG 3M                               |
| 17   | 26057900 | 1         | UC5 - UC7 NETWORK 6 PIN PLUG '13                          |
| 18   | 26058000 | 1         | NORAC UC5 - UC7 NETWORK 12-PIN PLUG                       |
| 19   | 26084700 | 1         | Mesh Kit Ultrasonic Sensor<br>FOR 2018 AND NEWER SENSORS  |
| 19   | 28098003 | 1         | MESH AND CLIP KIT, NORAC<br>FOR PRE-2018 SENSORS          |
| 20   | 28050303 | 1         | NORAC RUBBER TOP&BOLT F.SENSOR DIA.30MMX30MMX8MM          |
| 21   | 28055503 | 1         | NORAC VALVE MOUNTING HARDWARE                             |
| 22   | 28086600 | 1         | FOAM DISC F. SENSOR NORAC                                 |
| 23   | 78216100 | 1         | NORAC VALVE BLOCK COMP, DEUTSCH CON.                      |



**M0375**

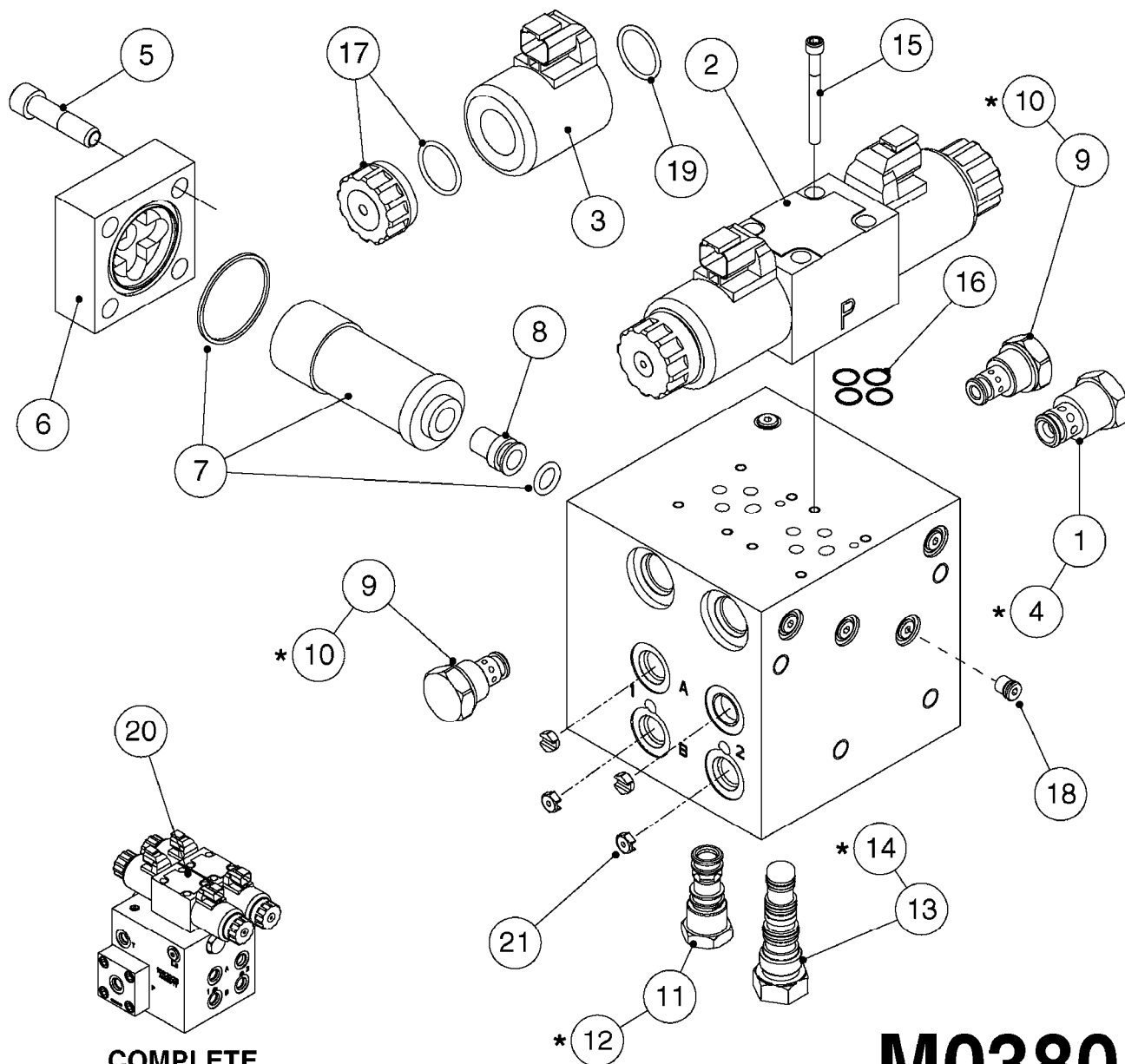


NORAC UC5 SENSOR BRACKETS  
M0375-HIN, 26:06:17

Page 1

Date 12.08.2020 9:05

| Pos. | parts-n° | order qty | description                              |
|------|----------|-----------|--|
| 1    | 143161   | 1         | BOLT U M10 40X40                         |
| 2    | 146843   | 1         | BOLT U M8 F.60 x 60                      |
| 3    | 410443   | 1         | BOLT HEX 8.8 DEL M6X70                   |
| 3    | 410605   | 1         | BOLT HEX 8.8 DEL M6X80                   |
| 4    | 420604   | 1         | BOLT HEX 8.8 DEL M10X25 FT DIN933        |
| 4    | 421214   | 1         | BOLT HEX 8.8 DEL M10X110                 |
| 4    | 421222   | 1         | BOLT HEX 8.8 DEL M10X75 FT               |
| 4    | 42126800 | 1         | BOLT HEX 8.8 DEL M10X140                 |
| 5    | 420884   | 1         | BOLT HEX 8.8 DEL M10X80 FT               |
| 5    | 421212   | 1         | BOLT HEX 8.8 DEL M10X110 FT              |
| 5    | 421222   | 1         | BOLT HEX 8.8 DEL M10X75 FT               |
| 6    | 420906   | 1         | BOLT HEX 8.8 DEL M10X60                  |
| 7    | 460261   | 1         | NUT HEX M6X1.00 LOCK DIN985 A2 SS        |
| 8    | 460143   | 1         | LOCK NUT M8 SST A2 DIN985                |
| 9    | 460423   | 1         | NUT HEX M10X1.50 LOCK DIN985A2 SS        |
| 10   | 471122   | 1         | WASHER, M10, Ø20/10.5X 2.0, SS           |
| 11   | 471124   | 1         | WASHER, M6, Ø18/ 6.4X 1.6, SS            |
| 12   | 16128603 | 1         | BRACKET F. SENSOR 60X60 TUBE             |
| 12   | 16128703 | 1         | BRACKET F. SENSOR 50x50 TUBE             |
| 13   | 16204203 | 1         | NORAC SENSOR BRKT BACKER, MAIN LIFT, RED |
| 14   | 16332000 | 1         | NORAC BRACKET, TDZ, INNER LEFT           |
| 14   | 16332600 | 1         | NORAC BRACKET, TDZ, INNER RIGHT          |
| 15   | 16332200 | 1         | NORAC BRACKET, TDZ, OUTER                |
| 16   | 28086500 | 1         | UC4 SENSOR MOUNTING BKT. NORAC           |
| 17   | 28092003 | 1         | SENSOR BRKT, LP, SF, NORAC               |
| 18   | 63047703 | 1         | NORAC SENSOR BRKT, MAIN LIFT, RED        |
| 19   | 63108800 | 1         | NORAC SENSOR BRACKET, BOOM               |



**COMPLETE  
ASSEMBLY**

**\*SEAL KITS**

**M0380**

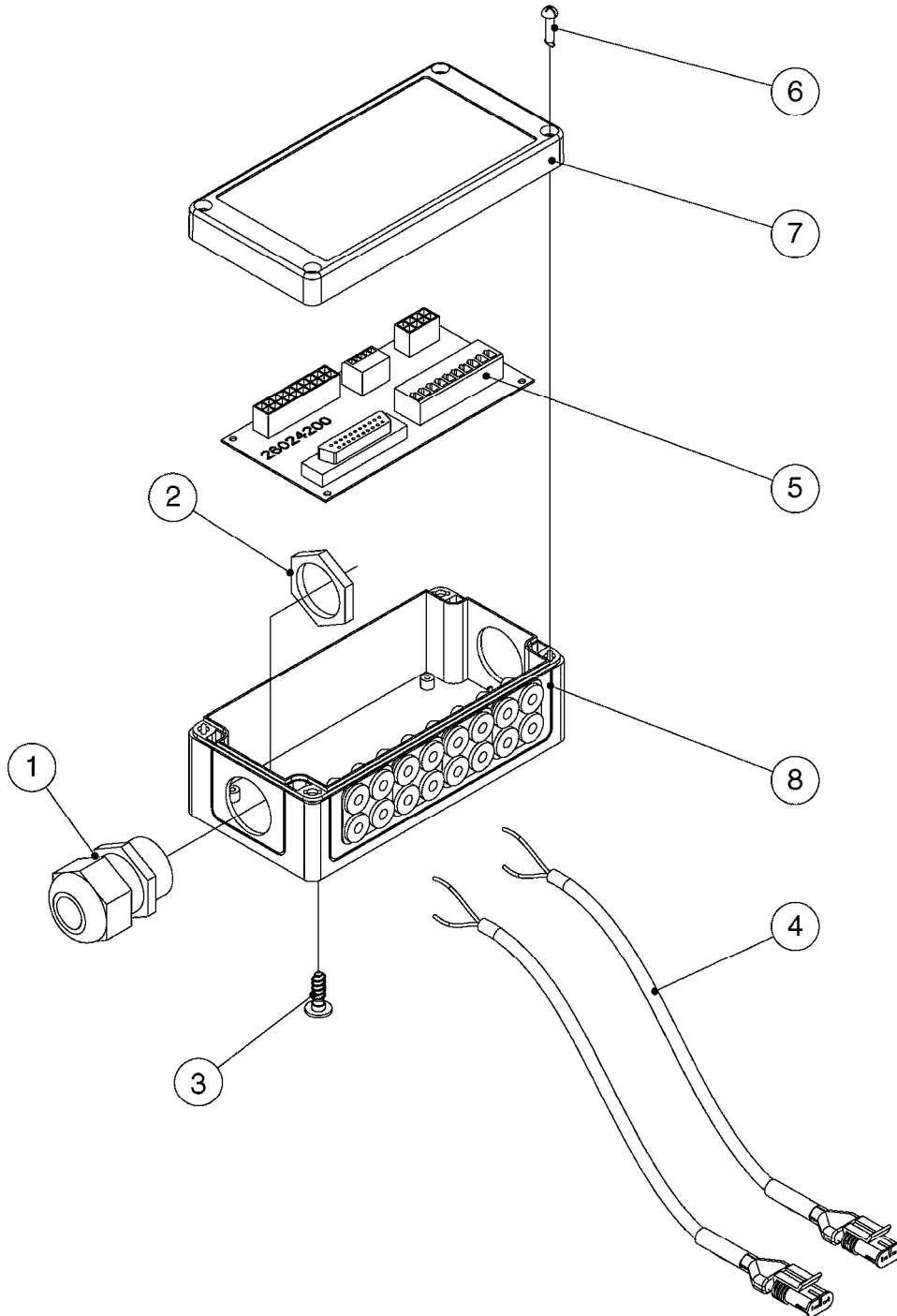


NORAC VAR. RATE VALVE UC4/UC5  
M0380-HIN, 30:04:19

Page 1

Date 12.08.2020 9:05

| Pos. | parts-n° | order qty | description                          |
|------|----------|-----------|--------------------------------------|
| 1    | 28049403 | 1         | NORAC CHECK VALVE                    |
| 2    | 28055803 | 1         | NORAC SOLENOID - DEUTSCH CONN.       |
| 3    | 28056503 | 1         | COIL, NORAC, PROP, DEUTSCH           |
| 4    | 28066903 | 1         | NORAC SEAL KIT F.28049403            |
| 5    | 28067103 | 1         | NORAC HEX CAPSCREW 3/8X1-1/4"        |
| 6    | 28067203 | 1         | NORAC FILTER CAP - 4 BOLT            |
| 7    | 28067303 | 1         | KIT FILTER NORAC UC5 106285          |
| 8    | 28067403 | 1         | NORAC VALVE FILTER INSERT            |
| 9    | 28067503 | 1         | NORAC CHECK VALVE C-8-2              |
| 10   | 28067603 | 1         | NORAC SEAL KIT F.28067503            |
| 11   | 28067703 | 1         | NORAC CHECK VALVE C-8-3              |
| 12   | 28067803 | 1         | NORAC SEAL KIT F.28067703            |
| 13   | 28067903 | 1         | NORAC CHECK VALVE C-8-4              |
| 14   | 28068003 | 1         | NORAC SEAL KIT F.28067903            |
| 15   | 28068103 | 1         | NORAC HEX CAPSCREW 10-24X2 SS        |
| 16   | 28068203 | 1         | NORAC O-RING F.SOLENOID VALVE        |
| 17   | 28074903 | 1         | NORAC COIL NUT AND O-RING            |
| 18   | 28089903 | 1         | NORAC PLUG#2 SAE ZERO-LEAK           |
| 19   | 28103603 | 1         | O-RING SOLENOID BODY SEAL NORAC      |
| 20   | 78216100 | 1         | NORAC VALVE BLOCK COMP, DEUTSCH CON. |
| 21   | 78603300 | 1         | NORAC ONE WAY ORIFICE, .047"         |



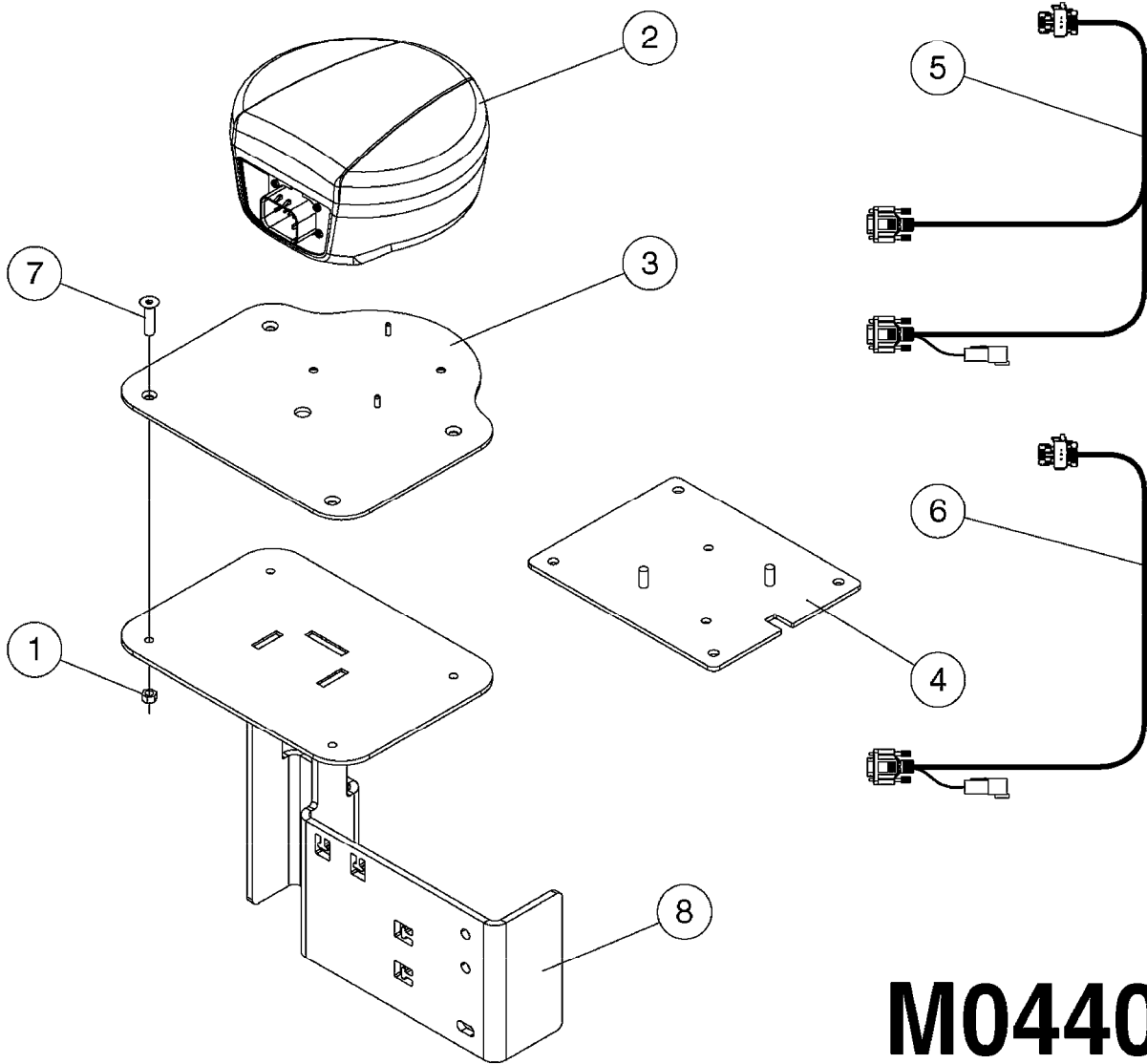
**M0390**



DHP BREAK OUT BOX 2007  
M0390-HIN, 01:01:16

Page 1  
Date 12.08.2020 9:05

| Pos. | parts-n° | order qty | description                      |
|------|----------|-----------|----------------------------------|
| 1    | 262106   | 1         | BULKHEAD F. CABLE 6.5-14 BLACK   |
| 2    | 262107   | 1         | NUT F. BULKHEAD CABLE GRAY       |
| 3    | 440675   | 1         | SCREW F. PLASTIC 5X16 SS         |
| 4    | 26020100 | 1         | CABLE L = 1.50M, AMP, EXT, 2P    |
| 5    | 26024200 | 1         | BREAK OUT PCB FOR HYDRAULICS     |
| 6    | 28082100 | 1         | SCREW F. BOX LID 1/4" L=20       |
| 7    | 33508800 | 1         | LID 160X80X15 BLK W/SCREWS       |
| 8    | 33514300 | 1         | BOX 160X80X40 BLACK 1+16+1 HOLES |





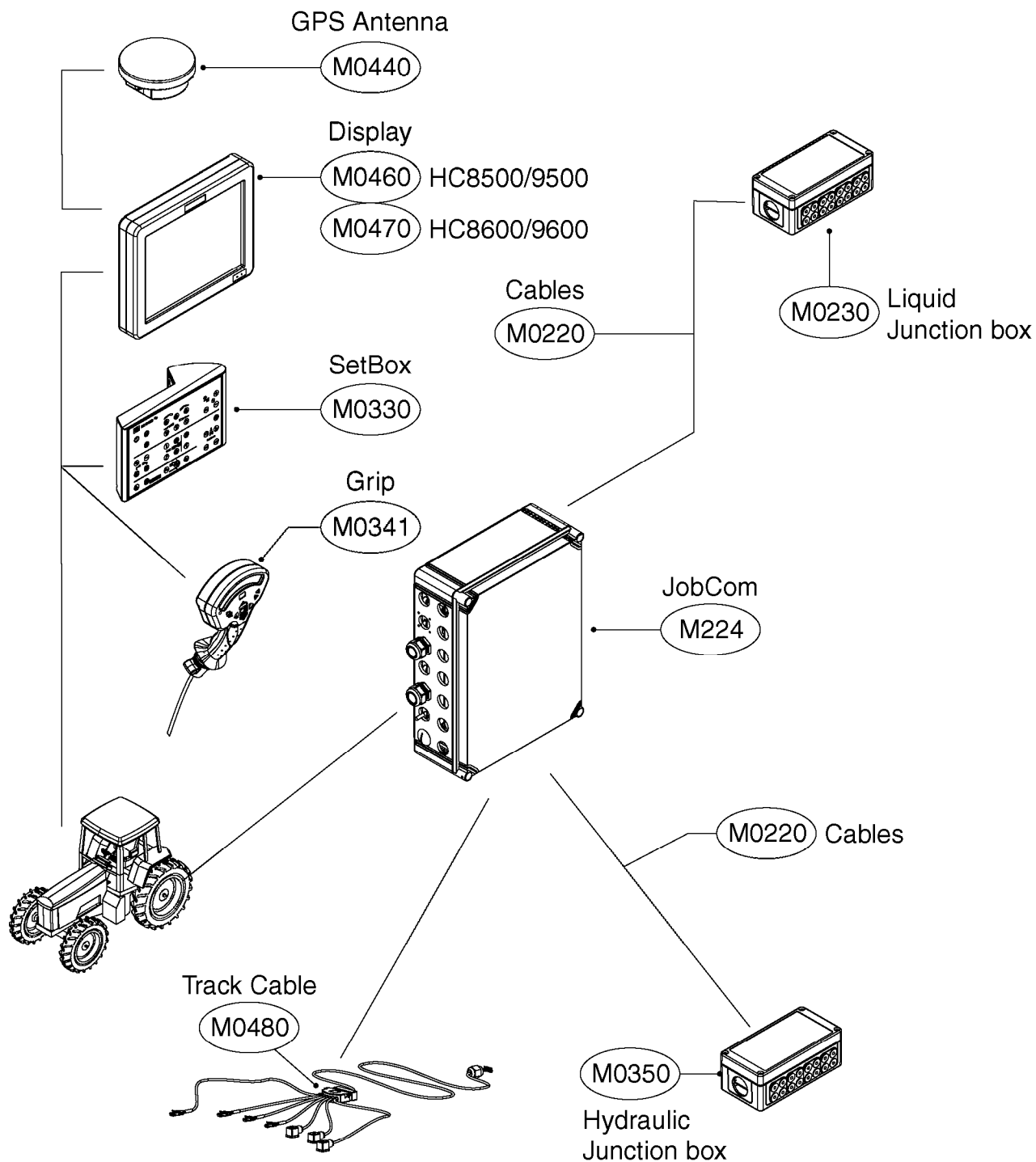


GPS 6000/6500 ANTENNA  
M0440-HIN, 25:07:16

Page 1

Date 12.08.2020 9:05

| Pos. | parts-n° | order qty | description   |
|------|----------|-----------|---|
| 1    | 461217   | 1         | NUT HEX M5 LOCK                                       |
| 2    | 26063700 | 1         | GPS 6000 ANTENNA + HARNESS                            |
| 2    | 26063800 | 1         | GPS 6500 RECEIVER + CABLE                             |
| 3    | 26066300 | 1         | ANTENNA 6500 BRACKET<br>INCLUDED WITH 6500 RECEIVER   |
| 4    | 26066400 | 1         | Bracket Kit GPS 6000<br>INCLUDED WITH 6000 RECEIVER   |
| 5    | 26066500 | 1         | CABLE GPS 6000/6500/7500 DUAL PORT                    |
| 6    | 26066600 | 1         | ANTENNA CABLE GPS 6000/6500 SINGLE PORT               |
| 7    | 45000501 | 1         | SCREW, HEX SOCKET M5-16 SST A2 DIN7991                |
| 8    | 61024603 | 1         | GPS RECEIVER MNT 2015, PRSIDIO, GRAY<br>PRESIDIO ONLY |



# M0450



SYSTEM OVERVIEW HC8600/9600  
M0450-HIN, 12:12:16

Page 1

Date 12.08.2020 9:05

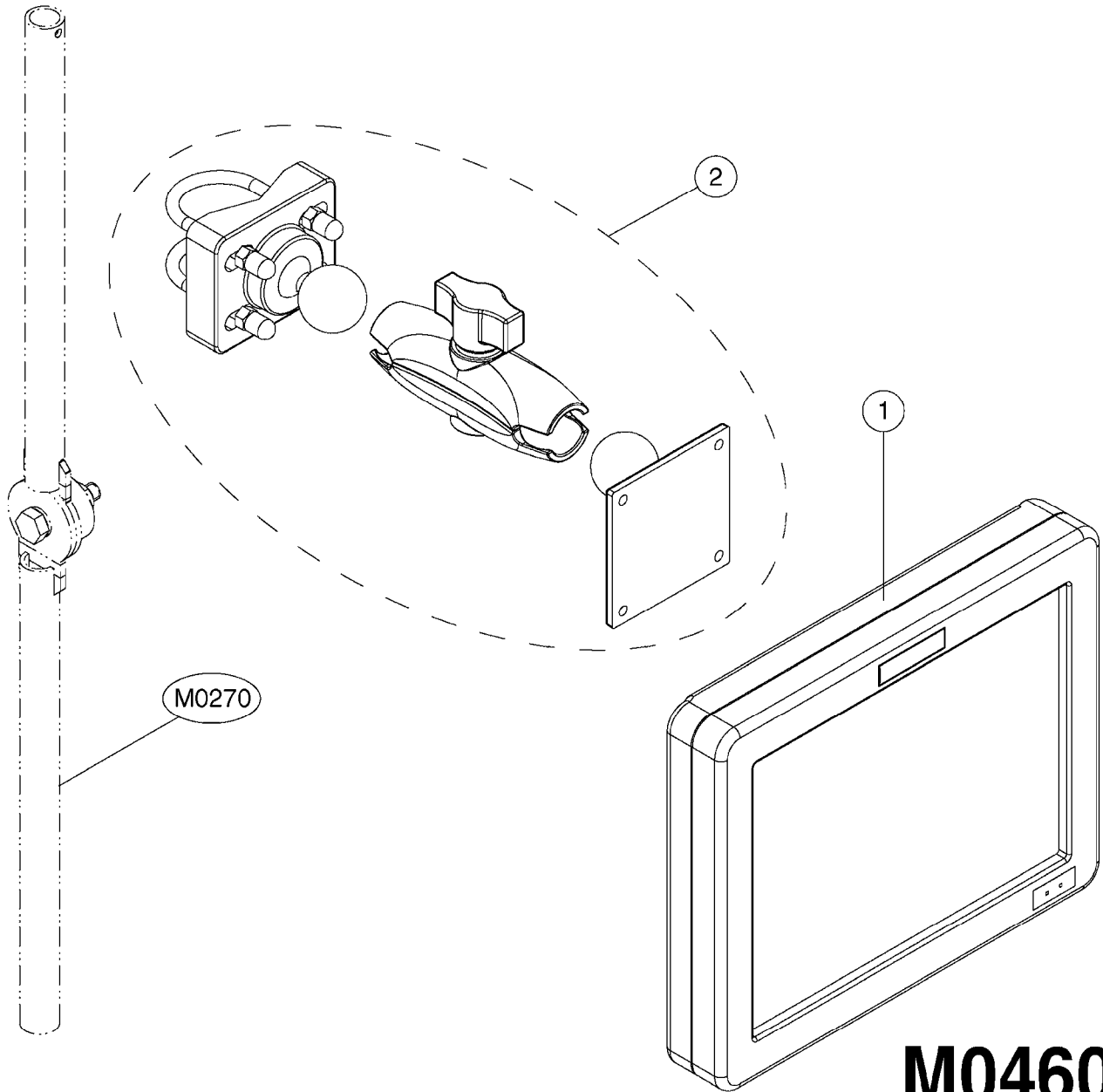
| parts-n° | order qty | description |
|----------|-----------|-------------|
|          |           |             |



HC8500/9500 DISPLAY  
M0460-HIN, 06:12:16

Page 0

Date 12.08.2020 9:05



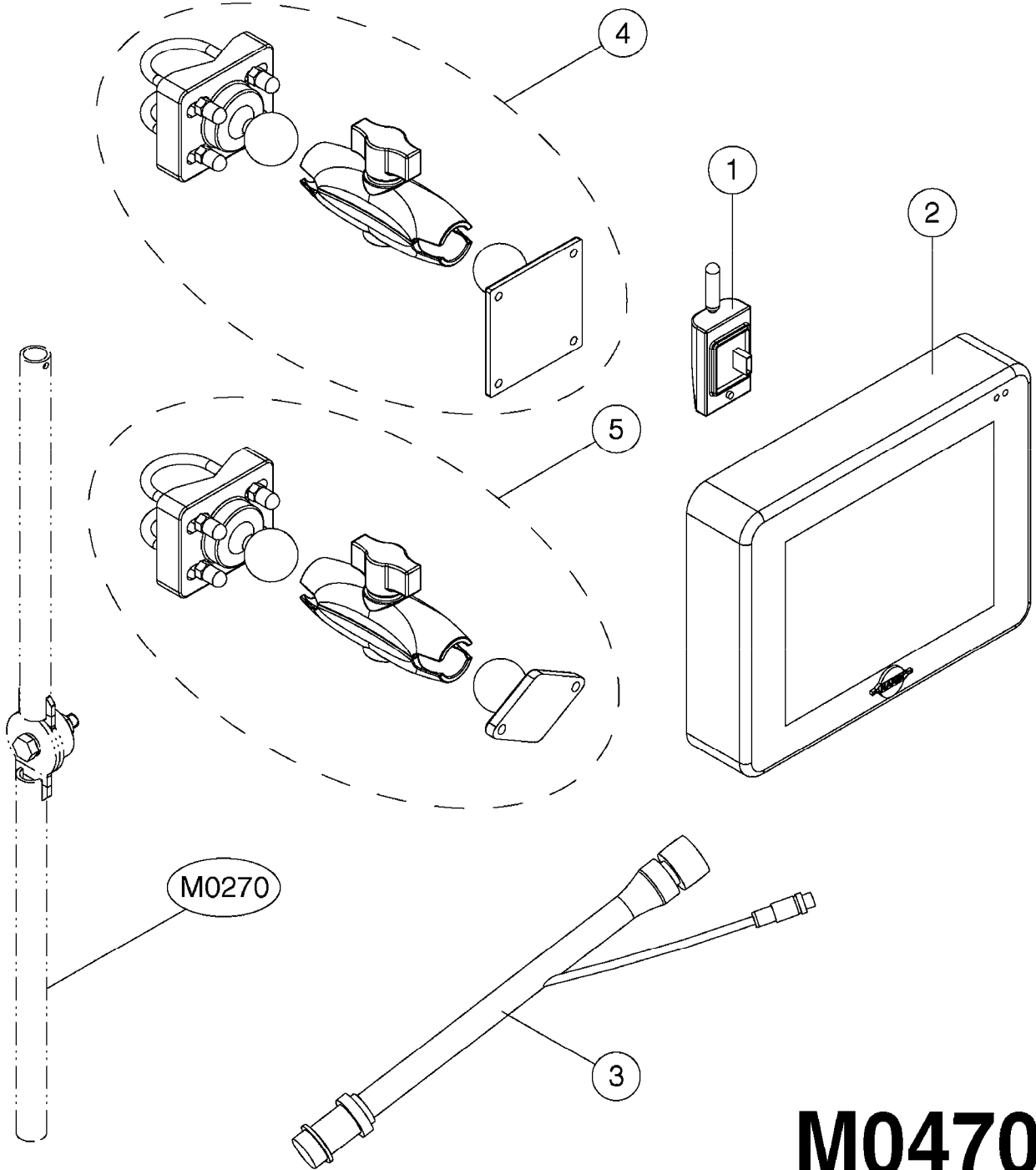


HC8500/9500 DISPLAY  
M0460-HIN, 06:12:16

Page 1

Date 12.08.2020 9:05

| Pos. | parts-n° | order qty | description                     |
|------|----------|-----------|---------------------------------|
| 1    | 26037900 | 1         | HC9500 DISPLAY KIT              |
| 1    | 26047600 | 1         | HC8500 DISPLAY KIT              |
| 2    | 72802400 | 1         | RAM MOUNT KIT W/5" ARM STD BASE |



**M0470**



HC8600/9600 DISPLAY  
M0470-HIN, 06:12:16

Page 1

Date 12.08.2020 9:05

| Pos. | parts-n° | order qty | description  |
|------|----------|-----------|--|
| 1    | 26066000 | 1         | AGFINITI USB WI-FI ADAPTER KIT                               |
| 2    | 26068600 | 1         | DISPLAY KIT- HC 8600   |
| 2    | 26069600 | 1         | DISPLAY KIT- HC 9600   |
| 3    | 26069300 | 1         | HC9600/8600 to Legacy Adapter                                |
| 4    | 72802400 | 1         | RAM MOUNT KIT W/5" ARM STD BASE<br>USE WITH 9600 DISPLAY     |
| 5    | 73156900 | 1         | RAM MOUNT KIT W/5" ARM DIAMOND BASE<br>USE WITH 8600 DISPLAY |



TRACK CABLE CM45/55/7000  
M0480-HIN, 08:12:16

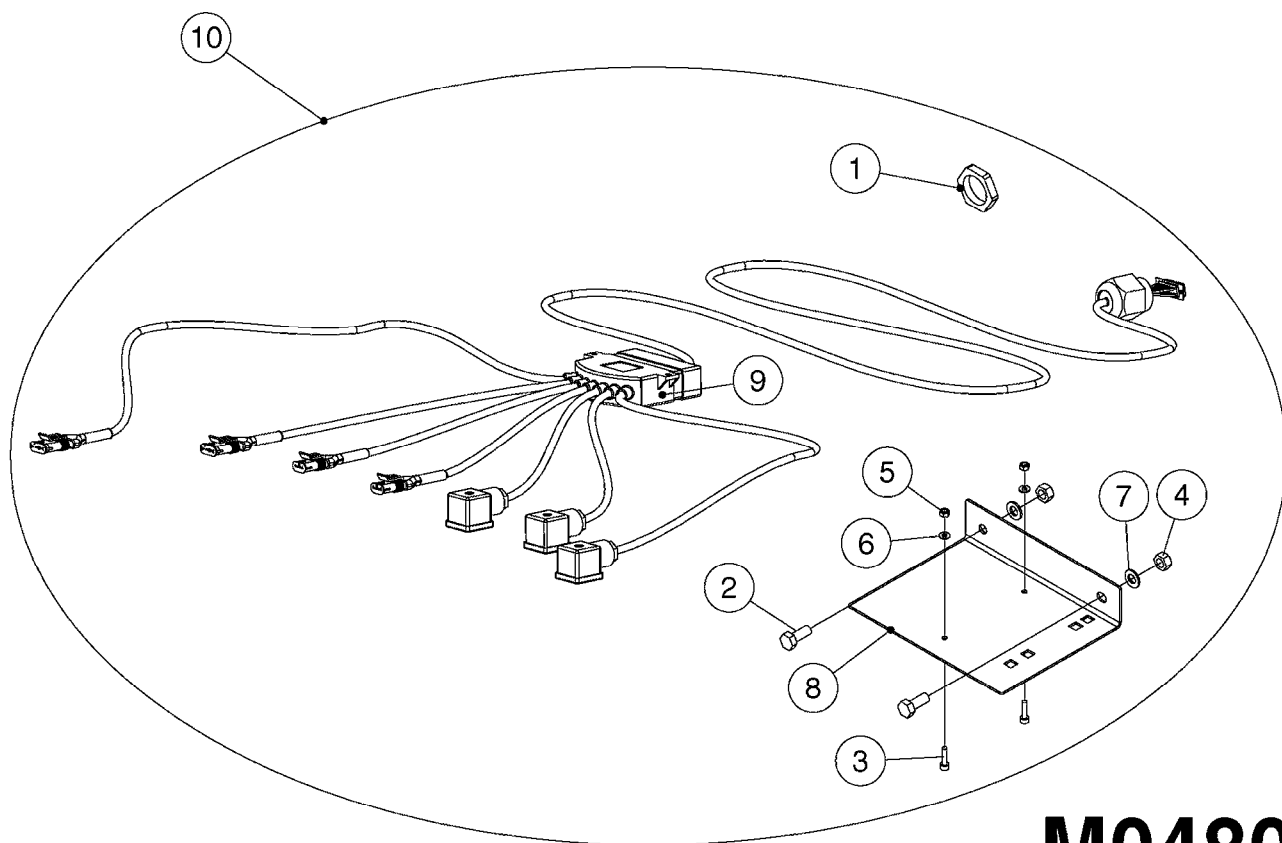
Page

0

Date

12.08.2020

9:05



**M0480**





TRACK CABLE CM45/55/7000  
M0480-HIN, 08:12:16

Page 1

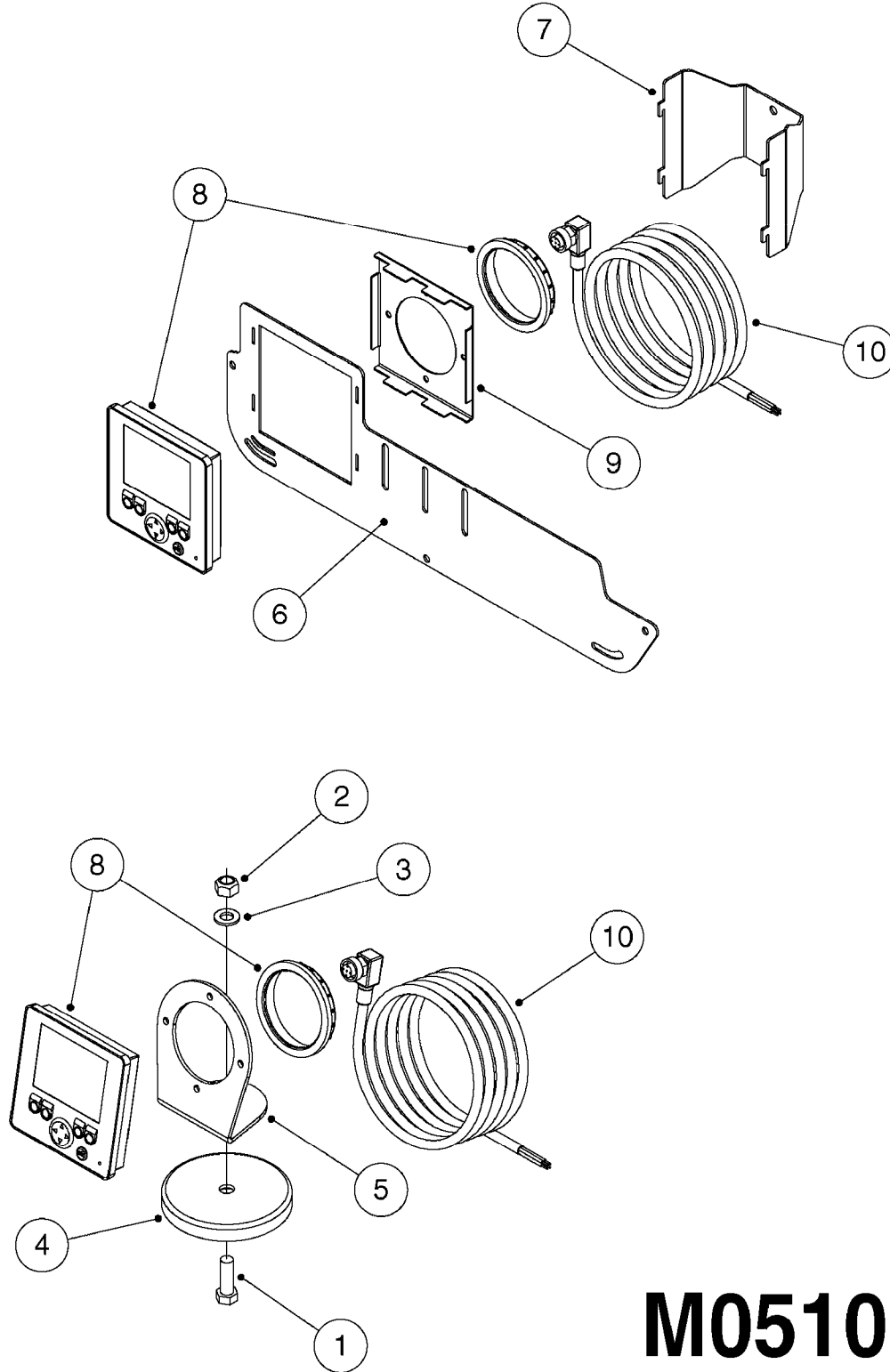
Date 12.08.2020 9:05

| Pos. | parts-n° | order qty | description                    |
|------|----------|-----------|--------------------------------|
| 1    | 262107   | 1         | NUT F. BULKHEAD CABLE GRAY     |
| 2    | 420582   | 1         | BOLT HEX 8.8 DEL M8X20 FT A2   |
| 3    | 450902   | 1         | BOLT ALLEN HEAD M4 X 16MM      |
| 4    | 460143   | 1         | LOCK NUT M8 SST A2 DIN985      |
| 5    | 461145   | 1         | NUT HEX M4 LOCK                |
| 6    | 471037   | 1         | SCREW A 4,3 DIN 125            |
| 7    | 471126   | 1         | WASHER, M8, Ø16/ 8.4X 1.6, SS  |
| 8    | 16261500 | 1         | PLATE FOR TRACK CABLE NCM/NAV  |
| 9    | 26024000 | 1         | CABLE SET FOR TRACK NCM        |
| 10   | 72612700 | 1         | TRACK JUNCTION BOX/BRACKETS CM |



REMOTE TANK GAUGE DISPLAY  
M0510-HIN, 19:06:19

Page 0  
Date 12.08.2020 9:05



**M0510**



REMOTE TANK GAUGE DISPLAY  
M0510-HIN, 19:06:19

Page 1  
Date 12.08.2020 9:05

| Pos. | parts-n° | order qty | description                         |
|------|----------|-----------|-------------------------------------|
| 1    | 421046   | 1         | BOLT HEX M8X25/25 A2 SS DIN933      |
| 2    | 460143   | 1         | LOCK NUT M8 SST A2 DIN985           |
| 3    | 471126   | 1         | WASHER, M8, Ø16/ 8.4X 1.6, SS       |
| 4    | 10536703 | 1         | MAGNETIC BASE D3,2'/90LB            |
| 5    | 16208803 | 1         | BRACKET F. EL TANK GAUGE, MAG, RED  |
| 6    | 16210103 | 1         | BRACKET F. EL TANK GAUGE, CM11, RED |
| 7    | 16210303 | 1         | BACK COVER F. EL TANK GAUGE, RED    |
| 8    | 26033603 | 1         | DISPLAY, 2.8" HMI, IFM, 1-CAN       |
| 9    | 26033803 | 1         | DISPLAY FITTING PANEL, IFM          |
| 10   | 26033903 | 1         | CABLE, M12, 120 OHM, 5M, IFM        |