



Agroparts: [www.HARDI-INTERNATIONAL.com](http://www.HARDI-INTERNATIONAL.com)

PRESIDIO PRESIDIO SPC

Country-Code 11

Date 12.08.2020 8:19





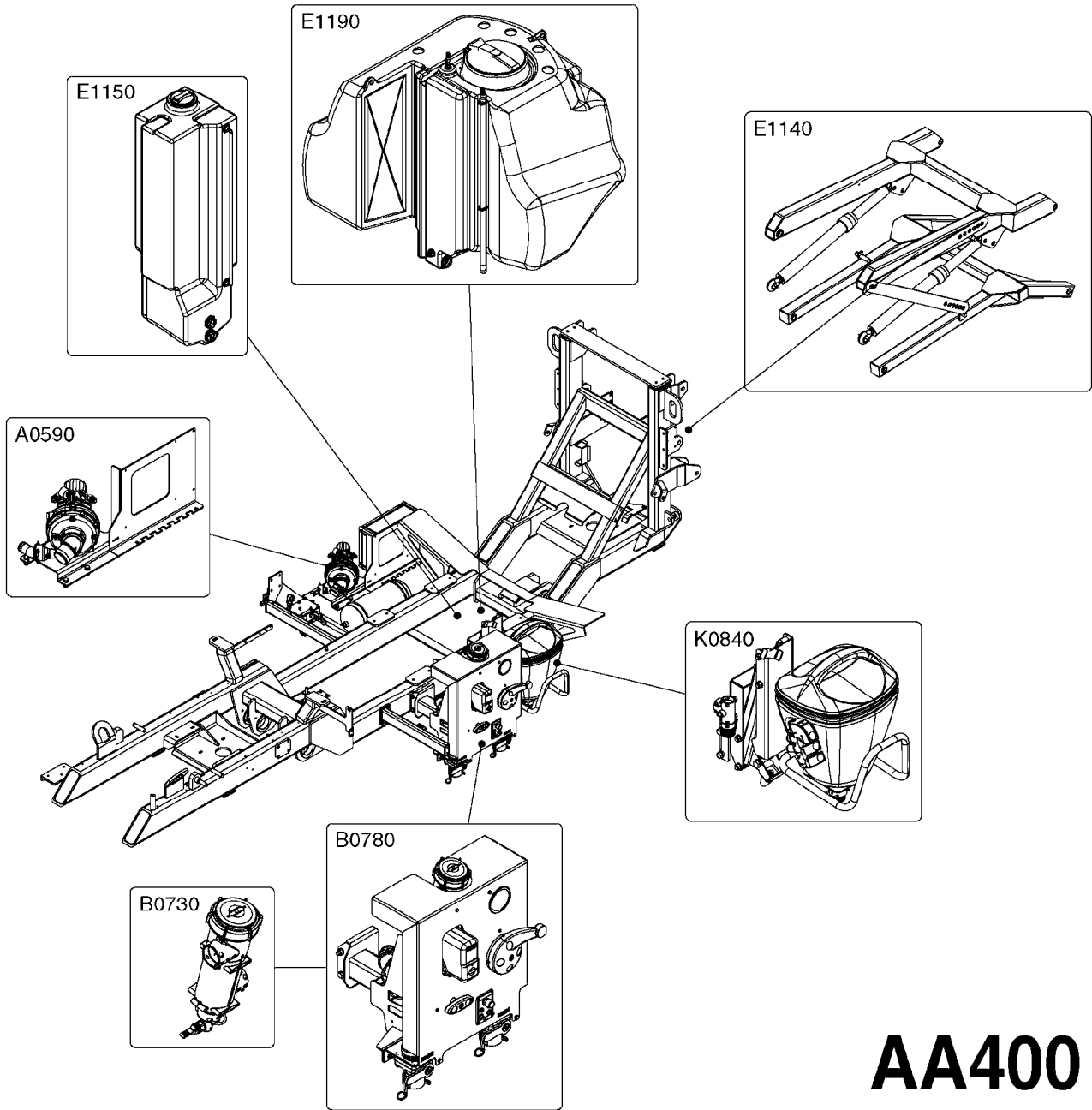
main group	page-n°	date	description
System overview	AA400-HIN	02:08:16	PRESIDIO 2700 SYSTEM OVERVIEW
Pumps	A0460-HIN	25:07:18	PUMP - 650 ACE CENTRIFUGAL SP
	A0590-HIN	30:08:16	PUMP ASSEMBLY - PRESIDIO
Controls, Filters, Valves	B424-HIA	29:09:16	AGITATION VALVE DF4
	B430-HIA	10:07:15	HANDLE/INDICATOR F.SMART VALVE
	B0430-HIN	12:09:19	MANIFOLD - S67 VALVE
	B0500-HIN	28:01:19	SMART VALVE S67 S93 (07)
	B0540-HIN	01:01:16	SMART VALVE-S93 MANIFOLD VALVE
	B0550-HIN	28:01:19	MANIFOLD - S93 VALVE (07)
	B0640-HIN	15:10:19	CHECK VALVES - S67 (2011)
	B0730-HIN	01:01:16	PRESSURE FILTER - CYCLONE
	B0780-HIN	03:08:16	MAIN FLUID - PRESIDIO
	B0790-HIN	30:08:16	S93 EJECTOR F.TURBOFILLER
Hydraulics	C700-HAU	11:01:16	PRESIDIO DOUBLE PUMP ON ENGINE
	C701-HAU	11:01:16	PRESIDIO HYDRAULIC RETURN CIRC
	C702-HAU	11:01:16	PRESIDIO MANIFOLD FILT. RE. L.
	C703-HAU	11:01:16	PRESIDIO HYDR. CIRC. FOR BOOMS
	C704-HAU	11:01:16	PRESIDIO POWER TAKE-OFF PUMP
	C709-HAU	11:01:16	PRESIDIO PNEUMATIC CIRCUIT
	C710-HAU	11:01:16	PRESIDIO HYD. STEERING CIRCUIT
	C711-HAU	11:01:16	HYD. STEERING CIRC. FRONT AXLE
	C712-HAU	11:01:16	PRESIDIO HYDRAULIC TANK
	C0640-HIN	22:08:17	HYD EAGLE HZ SPC 80'-100'
	C0690-HIN	09:01:18	HYD EAGLE HZ SPB 45'-66'
	C0760-HIN	11:10:17	HYD EAG. HZ SPC 90/60'DUALFOLD
	C0790-HIN	27:07:16	HYD. FLOW REG. BLOCK PRESIDIO
	C0800-HIN	03:06:19	HYD. LIFT BLOCK PRESIDIO
	C0810-HIN	08:09:16	BOOM HYD. CIRCUIT PRESIDIO
	C0910-HIN	13:05:19	HYDRAULIC SOLENOIDS
Booms, Nozzle Bodies & Tubes	D0400-HIN	05:05:20	BOOM - SPC INNER WING 80-100'
	D0410-HIN	06:05:20	BOOM - SPC OUTER WING 80-100'
	D0440-HIN	26:09:19	BOOM SPC PARAL.CTR.80-100' US
	D0460-HIN	28:04:20	BOOM SPC OUTER 90/60' DUALFOLD
	D0500-HIN	21:02:17	SPC PLUMB.BRACKETS - T25
	D0870-HIN	24:06:16	TRANSPORT BKTS - SPC PRESIDIO
	D1000-HIN	01:01:16	BOOM-NOZZLES 110° FLAT FAN ISO
	D1010-HIN	01:01:16	BOOM-NOZZLES 110° LOWDRIFT ISO
	D1020-HIN	01:01:16	BOOM-NOZZLES 80° FLAT FAN ISO
	D1030-HIN	28:11:17	BOOM-NOZZLE CAPS AND FILTERS
	D1040-HIN	01:01:16	BOOM-NOZZLES INJET
	D1050-HIN	01:01:16	BOOM-NOZZLES MINIDRIFT
	D1060-HIN	01:01:16	BOOM-NOZZLES QUINTASTREAM
	D1090-HIN	01:01:16	NOZZLE BODIES-SNAP FIT
	D1100-HIN	01:01:16	DOUBLE NOZZLE HOLDER-SNAP FIT
	D1110-HIN	08:04:19	NOZZLE TUBES & HOLDER-PLASTIC
	D1130-HIN	05:04:18	NOZZLE BODIES - T25
	D1140-HIN	29:11:17	NOZZLE TUBES - PLASTIC T25
	D1150-HIN	01:03:18	NOZZLE TUBES - STNLS STEEL T25
	D1240-HIN	26:09:19	SPC BOOM CENTER TRACK 2017
Tank and Frame: Field Sprayers	E702-HAU	18:07:17	2 WHEEL STEERING MECH. SYSTEM
	E703-HAU	11:01:16	PRESIDIO FRAME TANK SUPPORT
	E705-HAU	11:01:16	PRESIDIO SUSPENSION



main group	page-n°	date	description	
Special equipment, Extras	E1130-HIN	22:06:16	PRESIDIO MUDGUARDS	
	E1140-HIN	23:06:16	PRESIDIO PARALIFT	
	E1150-HIN	30:06:20	PRESIDIO RINSE TANK FRAME	
	E1160-HIN	10:01:18	PRESIDIO PLATFORM	
	E1170-HIN	03:08:16	PRESIDIO FUEL TANK ASSEMBLY	
	E1180-HIN	22:08:17	PRESIDIO SIDE LADDER	
	E1190-HIN	23:08:18	PRESIDIO MAIN TANK	
	E1300-HIN	13:03:18	PRESIDIO VARIABLE TRACK	
	Fittings	K0156-HIN	14:09:16	DECALS - PRESIDIO
		K0474-HIN	29:09:16	FOAM MARKER - RICHWAY SP
K0476-HIN		26:02:18	FOAM MARKER - DROPPER RICHWAY	
K0478-HIN		26:09:16	FOAM MARKER - DUAL DROPPER RICHWAY	
K0785-HIN		16:01:18	SMV/SPEED SIGNS & BRACKETS	
K0840-HIN		25:04:19	TURBOFILLER - PRESIDIO	
K0820-HIN		04:12:19	TURBOFILLER S25 MANIFOLD	
Electrical Equipment	L0100-HIN	21:06:18	FITTINGS - S-67	
	L0110-HIN	13:09:17	FITTINGS - S-93	
	L0120-HIN	17:10:19	BULK HOSE	
	L0130-HIN	16:10:19	HOSE CLAMPS	
	L0140-HIN	01:01:16	FITTINGS - T25	
	Transmissions	M0410-HIN	12:12:16	SYSTEM OVERVIEW PRESIDIO
M0420-HIN		21:07:16	SPRAY CENTER PRESIDIO	
M0430-HIN		26:07:16	JOB COM PRESIDIO	
M0341-HIN		26:07:16	HC6301 GRIP ISO	
M0440-HIN		25:07:16	GPS 6000/6500 ANTENNA	
M0460-HIN		06:12:16	HC8500/9500 DISPLAY	
M0470-HIN		06:12:16	HC8600/9600 DISPLAY	
M0130-HIN		12:12:16	COMMON SENSORS AND BRACKETS	
M700-HAU		14:06:16	PRESIDIO STEERING COLUMN WIRING	
M701-HAU		11:01:16	PRESIDIO ELEC.COMP. RIGHT SIDE	
M702-HAU		11:01:16	PRESIDIO RELAYS PRINTED CIRC.	
M703-HAU		11:01:16	PRESIDIO FUSES IN SIDE	
M704-HAU		11:01:16	PRESIDIO WIRING HARNESS CONS.	
M705-HAU		11:01:16	PRESIDIO ELECTRICAL CONSOLE	
M706-HAU		11:01:16	PRESIDIO ELECTRICAL ON ENGINE	
M707-HAU		11:01:16	PRESIDIO GND WIRING	
M708-HAU		11:01:16	PRESIDIO POWER WIRING	
M709-HAU		11:01:16	PRESIDIO MAIN WIRING HARNESS F	
M710-HAU		11:01:16	PRESIDIO MAIN WIRING HARNESS R	
M711-HAU		11:01:16	PRESIDIO FRONT LIGHTS	
Cabin	N0020-HIN	30:07:19	PRESIDIO HYDRAULIC MOTORS	
	N700-HAU	11:01:16	PRESIDIO FORWARD PUMP	
	N701-HAU	11:01:16	PRESIDIO FORW. PUMP HYD. CIRC.	
	N703-HAU	11:01:16	PRESIDIO DRIVE CONTROL VALVE	
	N704-HAU	11:01:16	PRESIDIO FRONT TRANSMISSION C.	
	N705-HAU	11:01:16	PRESIDIO REAR TRANSMISSION C.	
	N706-HAU	11:01:16	PRESIDIO ACCUMULATION HYD. C.	
	N707-HAU	11:01:16	PRESIDIO DYNAMIC BRAKING UNIT	
	N708-HAU	11:01:16	PRESIDIO DYNAMIC BRAKING ACCUM	
	N709-HAU	11:01:16	PRESIDIO BRAKING HYD. CIRCUIT	
N710-HAU	11:01:16	PRESIDIO FORWARD PUMP		
	O700-HAU	11:01:16	PRESIDIO FORWARD CONTROL	
	O701-HAU	11:01:16	PRESIDIO AIR CONDITIONING CAB	



main group	page-n°	date	description
Engine	O702-HAU	11:01:16	PRESIDIO AIRCONDITIONING COMPR
	O703-HAU	11:01:16	PRESIDIO SEAT & RIGHT ARMREST
	O704-HAU	11:01:16	PRESIDIO STEERING COLUMN
	O705-HAU	11:07:17	PRESIDIO CABIN
	O706-HAU	11:01:16	PRESIDIO SEAT LOWER PART
	O707-HAU	11:01:16	PRESIDIO SEAT UPPER PART
	P700-HAU	11:01:16	PRESIDIO ENGINE
	P701-HAU	11:01:16	PRESIDIO RADIATOR/CONNECTORS
	P702-HAU	11:01:16	PRESIDIO AIR FILTER
	P703-HAU	11:01:16	PRESIDIO EXHAUST SYSTEM
	P704-HAU	11:01:16	PRESIDIO DIESEL OIL CIRCUIT
	P705-HAU	11:01:16	PRESIDIO ENGINE COVER 1
	P706-HAU	11:01:16	PRESIDIO ENGINE COVER 2
	P707-HAU	11:01:16	PRESIDIO DEUTZ ENGINE PARTS



**AA400**

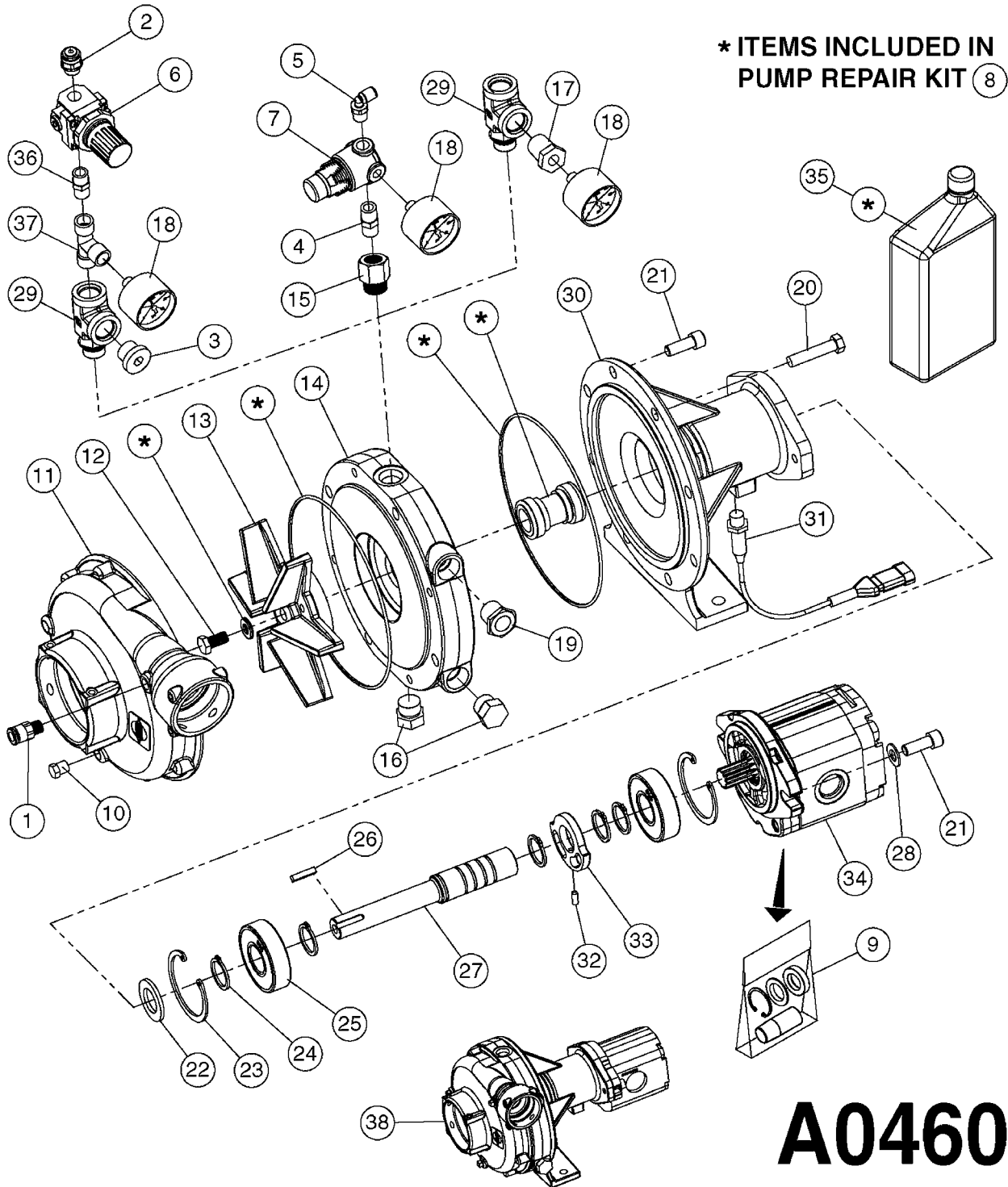


PRESIDIO 2700 SYSTEM OVERVIEW  
AA400-HIN, 02:08:16

Page 1

Date 12.08.2020 8:19

parts-n°	order qty	description



**A0460**



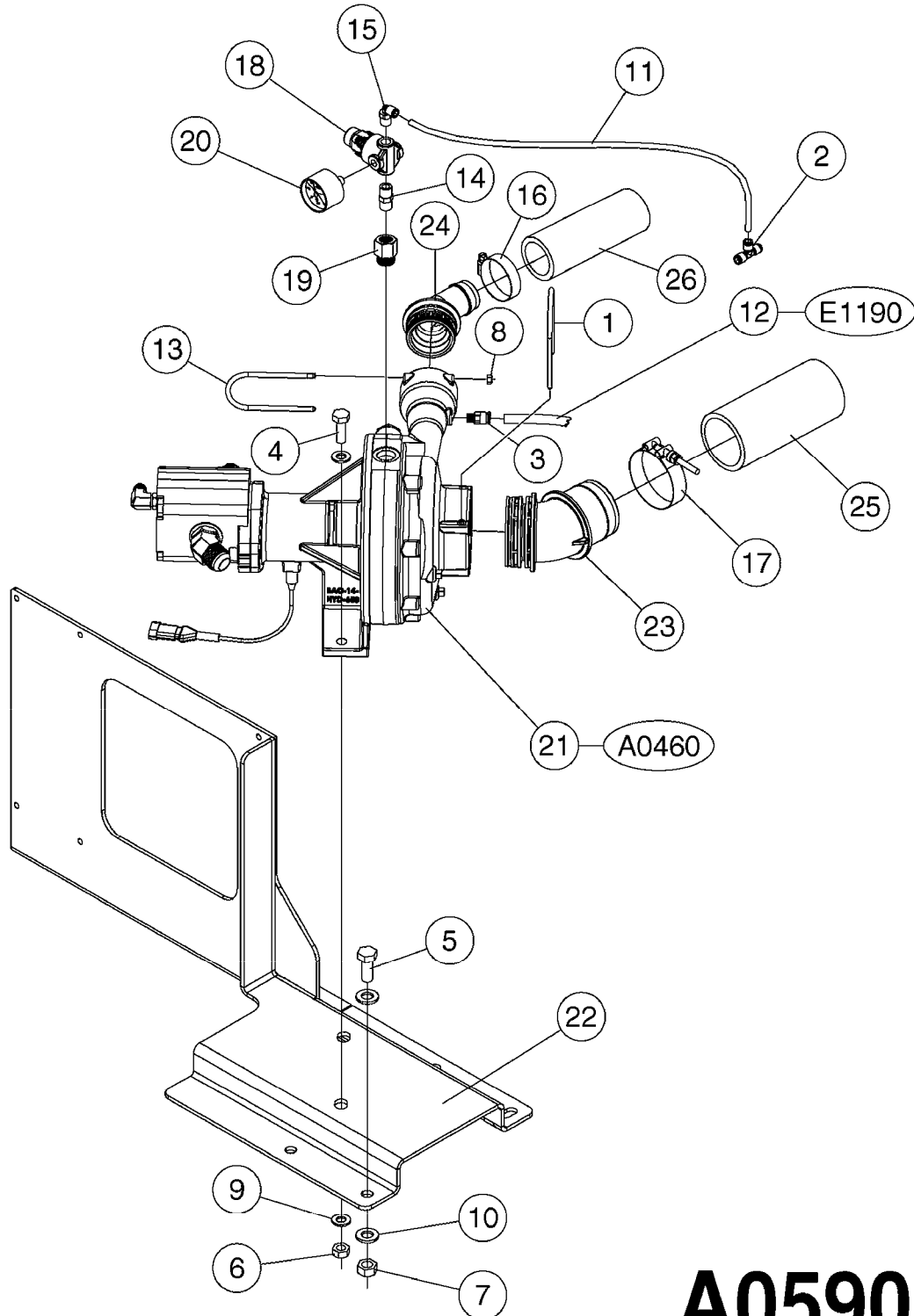
PUMP - 650 ACE CENTRIFUGAL SP  
A0460-HIN, 25:07:18

Page 1

Date 12.08.2020 8:19

Pos.	parts-n°	order qty	description
1	232152	1	QUICK COUPLER 8MMX1/8 EXT.LONG
2	288660	1	FITTING G1/4"-Ø4 mm
3	786890	1	PLUG M18X1.5 ORA3C W/GASKET
4	23004203	1	FITT 1/4" NPTF-1/4" NPTF UNION
5	23005803	1	FITT, 1/4" NPT X 6MM 90 PTC
6	28024901	1	AIR PRESSURE REGULATOR 1/4" BSP 0.5-10B
7	28065303	1	REGULATOR 1/4", 30PSI, PARKER
8	28066503	1	PUMP REPAIR KIT ACE 650
9	28066603	1	MOTOR REPAIR KIT ACE 650
10	28068303	1	PLUG 1/8" NPT SS
11	28068403	1	PUMP HOUSING FRONT ACE 650
12	28068503	1	CAP SCREW 3/8" X 3/4" SS
13	28068603	1	IMPELLER, WETSEAL SS ACE 650
14	28068703	1	SEAL PLATE SS ACE 650
15	28068803	1	ADAPTER #8 SAE X 1/4" FNPT
16	28069003	1	PLUG #8 SAE X 1/8" FNPT
17	28069103	1	ADAPTER #8 SAE X 1/8" FNPT
18	28069203	1	PRESS.GAUGE 0-60 PSI 1/8" NPT
19	28069303	1	SIGHT GAUGE #8 SAE W/FLOAT
20	28069503	1	CAP SCREW 3/8" X 2"
21	28069603	1	CAP SCREW 3/8" X 1"
22	28069703	1	SLINGER 1.5" X 7/8"
23	28069803	1	SNAP RING INTERNAL, FRAME
24	28069903	1	SNAP RING EXTERNAL, SHAFT
25	28070003	1	BEARING F.ACE 650 PUMP
26	28070103	1	KEY 0.188 X 0.188 X 0.875
27	28070203	1	SHAFT 11T FEMALE SPLINE SS
28	28070503	1	WASHER 3/8" SS
29	28072103	1	TEE MALE #8 SAE
30	28072203	1	PUMP HOUSING REAR ACE 650CDRPM
31	28072303	1	SENSOR, RPM, ACE 650
32	28072403	1	SET SCREW 10-24 X 1/2"
33	28072503	1	STONE WHEEL, SINGLE TOOTH
34	28072603	1	HYDRAULIC MOTOR W/CASE DRAIN
35	29004303	1	ACE 650, BARRIER FLUID 32oz
36	RA15AA7259	1	STRAIGHT FITTING BSP1/4" 0121-1313
37	RA15AA7260	1	T PIECE, F-F-F, BSP1/4"
38	28059003	1	PUMP ACE FMCWS-650-HARDI-CD-SS SARITOR, RUBICON
38	28086303	1	PUMP ACE FMCWS-650-HARDI-PRESIDIO PRESIDIO





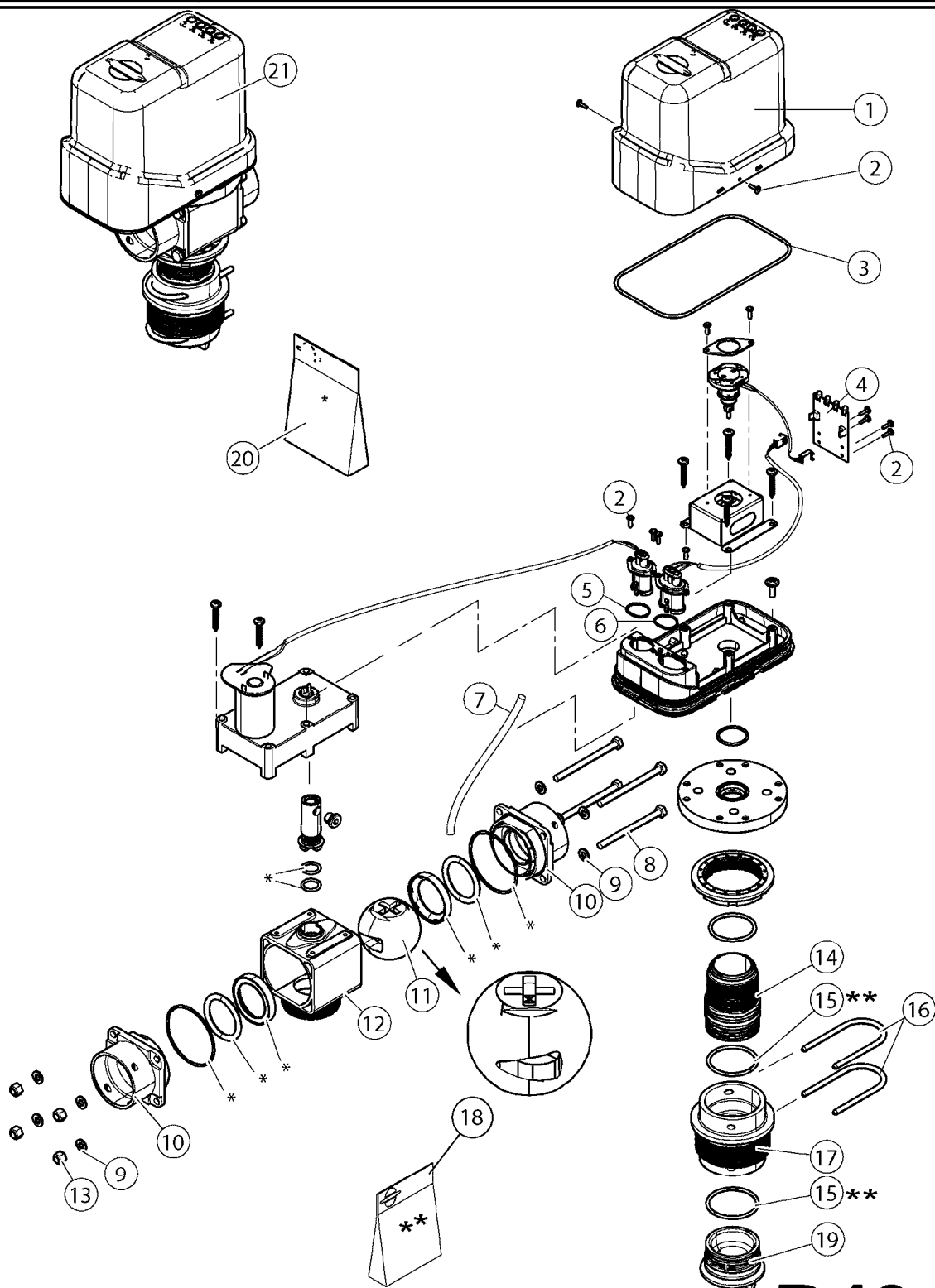
**A0590**



PUMP ASSEMBLY - PRESIDIO  
A0590-HIN, 30:08:16

Page 1  
Date 12.08.2020 8:19

Pos.	parts-n°	order qty	description
1	145997	1	FITT.DK S-93 FORK
2	232113	1	QUICK COUPLER 6MM T-PIECE
3	232152	1	QUICK COUPLER 8MMX1/8 EXT.LONG
4	421002	1	BOLT HEX 8.8 DEL M10X30 FT DIN933
5	430286	1	BOLT HEX 8.8 DEL M12X30 FT
6	460423	1	NUT HEX M10X1.50 LOCK DIN985A2 SS
7	460703	1	NUT HEX M12X1.75 LOCK DIN985A2 SS
8	461217	1	NUT HEX M5 LOCK
9	471122	1	WASHER, M10, Ø20/10.5X 2.0, SS
10	471127	1	WASHER, M12, Ø24/13X24X2.5 SS
11	927264	1	HOSE R X PE D6/D4 X 0012"
12	927306	1	HOSE R X PE D8/D6 X 0012"BLACK
13	14012200	1	FITT.DK S-67 FORK W/M5 THREADS
14	23004203	1	FITT 1/4" NPTF-1/4" NPTF UNION
15	23005803	1	FITT, 1/4" NPT X 6MM 90 PTC
16	28030103	1	CLAMP HOSE GEAR P5/4-S1.5"6724
17	28030303	1	CLAMP HOSE T-BOLT S2.5" 235-76
18	28065303	1	REGULATOR 1/4", 30PSI, PARKER
19	28068803	1	ADAPTER #8 SAE X 1/4" FNPT
20	28069203	1	PRESS.GAUGE 0-60 PSI 1/8" NPT
21	28086303	1	PUMP ACE FMCWS-650-HARDI-PRESIDIO
22	61019403	1	BRACKET, ACE 650 PUMP, JOBCOM, PRESIDIO
23	72072900	1	FITT. S93 2-1/2" 45° S W/O-RING
24	72433100	1	FITT.DK S-67 45° 1-1/4"W/ORING
25	92702803	1	HOSE PVC SUCT GRAY 2.5"
26	92734403	1	HOSE R X5/4" X200PSI WP X0012"



**B424**



AGITATION VALVE DF4  
B424-HIA, 29:09:16

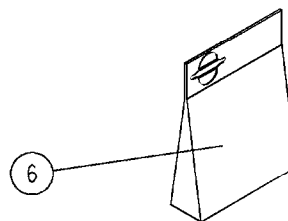
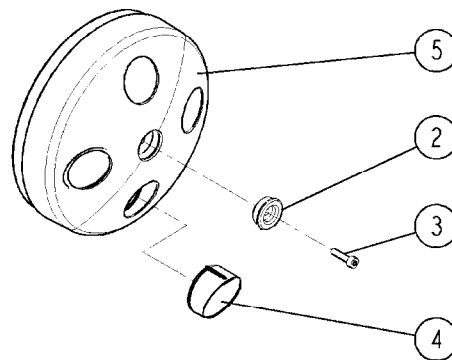
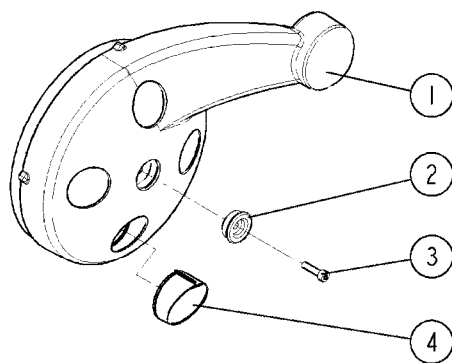
Page 1

Date 12.08.2020 8:19

Pos.	parts-n°	order qty	description
1	33521000	1	REG.MOTOR COVER CERAMIC 2011
2	44075500	1	SCREW 25X10 WIN5451/TORX
3	24264300	1	O-RING Ø 148.0 X 3 SH70 VITON
4	72908500	1	REG.VALVE PCB ASSY FK
5	24265300	1	O-RING Ø 20.0 X 1.5 SH70 VITON
6	24264200	1	O-RING Ø 23.0 X 1.5 SH70 VITON
7	25197400	1	PE-HOSE Ø8/6 BLACK L = 0.6M
8	410605	1	BOLT HEX 8.8 DEL M6X80
9	471125	1	WASHER M6U 6.4X14X1.2,A2 SS
10	334497	1	END COVER 3 WAY VALVE S-67
11	39136000	1	BALL F.AGITATION VALVE A340
12	390623	1	HOUSING F.3 WAY VALVE
13	460261	1	NUT HEX M6X1.00 LOCK DIN985 A2 SS
14	322325	1	FITT.DK S-67 X 1-1/2"BSP LONG
15	242353	1	O-RING 3 X 44.2 VITON
15	241973	1	O-RING Ø3 X 44.2 70 SHORES NITRIL
16	145996	1	FITT.DK S-67 FORK
17	322104	1	FITT.DK S-67 BULKHEAD
18	74196100	1	BAG OF 10 PCS. 241973 O-RINGS
19	334250	1	FITT.DK S-67 PLUG
20	74193000	1	REPAIR KIT FOR S67 VALVE
21	72867700	1	S67 EL. AGITATION VALVE HALL SENSOR "11" HE



Se B528 kryds/aksler



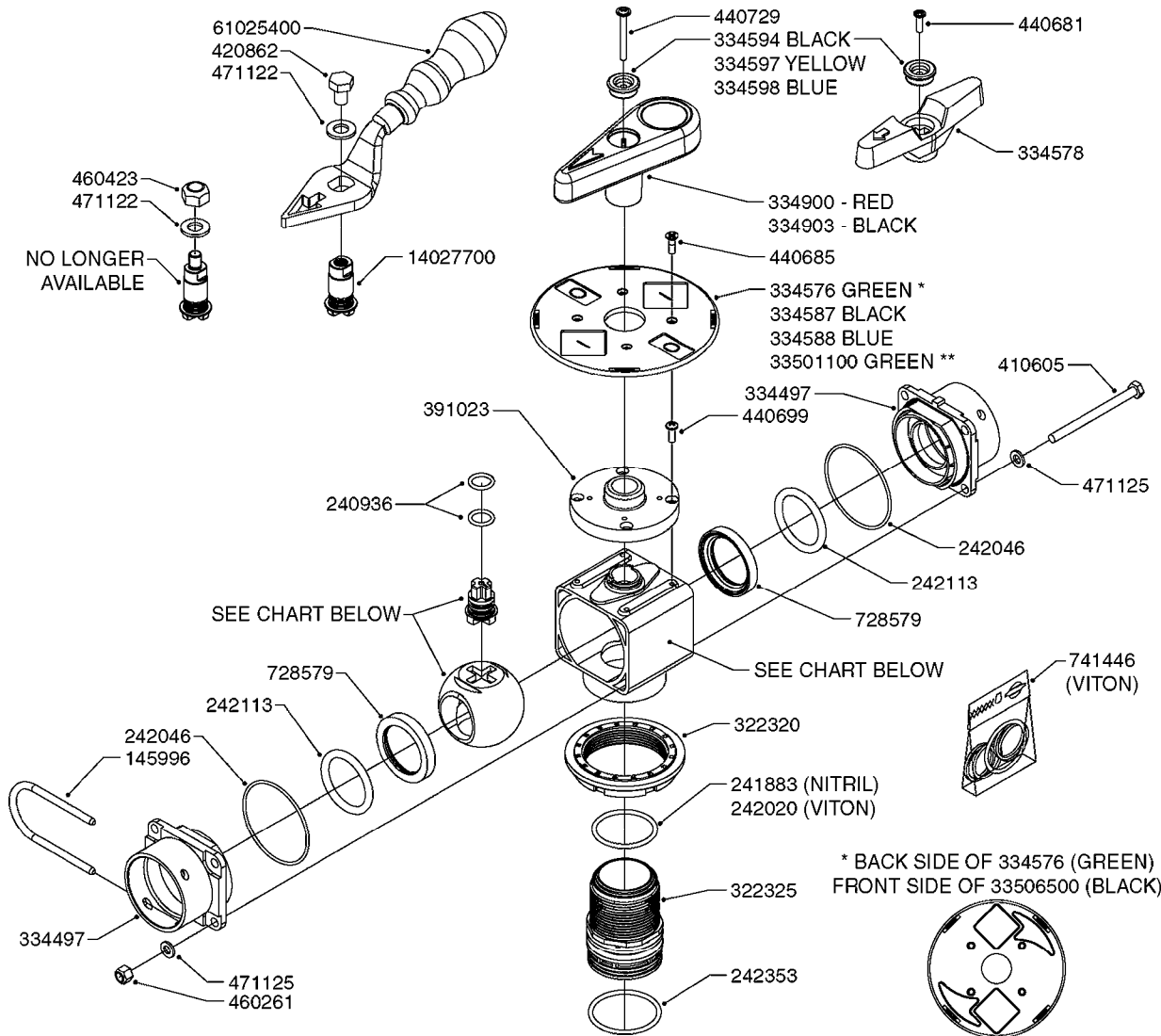
**B430**



HANDLE/INDICATOR F.SMART VALVE  
B430-HIA, 10:07:15

Page 1  
Date 12.08.2020 8:19

Pos.	parts-n°	order qty	description
1	33505700	1	SMART VALVE HANDLE
2	334594	1	PLUG F.VALVE HANDLE BLACK
3	450902	1	BOLT ALLEN HEAD M4 X 16MM
4	33505200	1	PLUG FOR SMART VALVE HANDLE
5	33508600	1	POSITION INDICATOR/SMART VALVE
6	74194100	1	PACKAGE OF ICONS - CM-NAV



					-	
728391	334594	334576	390204	390623	-	334600
728393	334598	334588	390238	390251	-	334600
728945	334597	-	390262	390777	-	334600
729796	334594	334587	390204	390623	-	334600
840062	334594	334576	391180	390623	-	334600
841062	334594	334576	390204	390623	-	334600
72113700	334594	334576	391180	390623	-	334600
72172100	-	33501100	391039	390623	391023	14027700
72172200	-	-	391039	390623	-	334600
72283600	334594	33506500	391180	390623	391023	334600
72292500	-	-	391180	390623	-	14027700
72538000	-	-	391039	390623	391023	14075700
72691600	334594	334587	390262	390623	-	334600

**B0430**



MANIFOLD - S67 VALVE  
B0430-HIN, 12:09:19

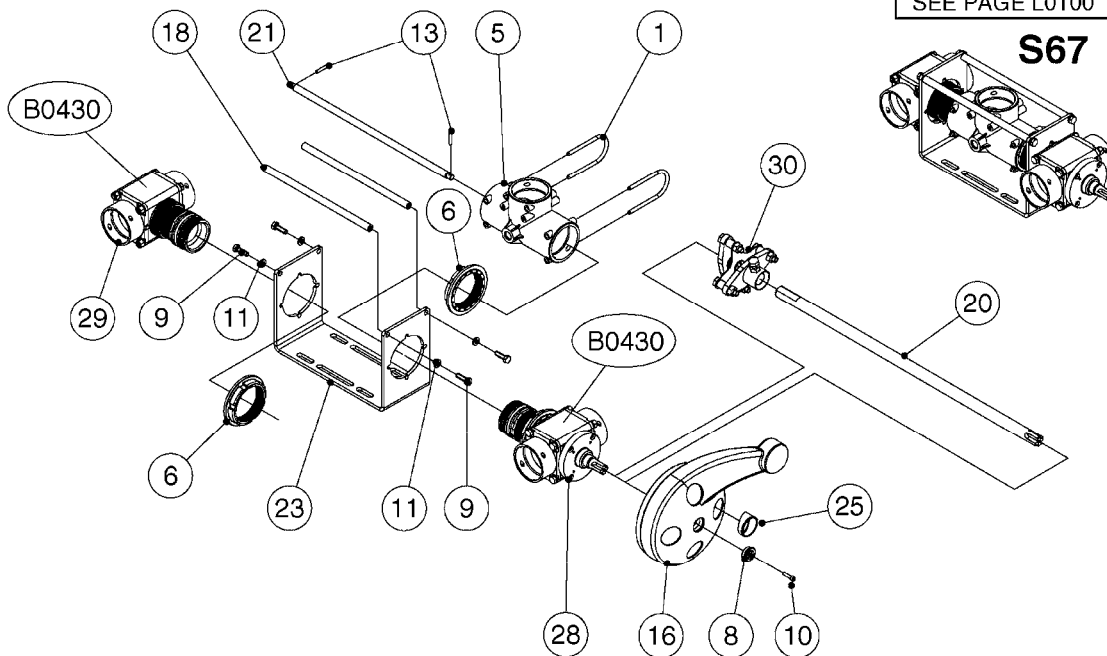
parts-n°	order qty	description
145996	1	FITT.DK S-67 FORK
240936	1	O-RING D13.3X2.4 NITRIL
241883	1	O-RING 3 X 39.2 NITRIL
242020	1	O-RING 39.2 X 3 VITON
242046	1	O-RING D60X2
242113	1	O-RING D37.5X5.3 VITON
242353	1	O-RING 3 X 44.2 VITON
322320	1	NUT F.3 WAY VALVE S56
322325	1	FITT.DK S-67 X 1-1/2"BSP LONG
334497	1	END COVER 3 WAY VALVE S-67
334576	1	FACE PLATE F. BALL VALVE GREEN
334578	1	HANDLE FOR VALVE 'OLD' STYLE
334587	1	FACE PLATE F.BALL VALVE BLACK
334588	1	FACE PLATE F. BALL VALVE BLUE
334594	1	PLUG F.VALVE HANDLE BLACK
334597	1	PLUG F.VALVE HANDLE YELLOW
334598	1	PLUG F.VALVE HANDLE BLUE
334600	1	SPINDLE F.3 WAY VALVE
334900	1	HANDLE F.3 WAY VALVE TALL '00
334903	1	HANDLE S67/93 VALVE BLACK
390204	1	BALL F. 3 WAY SUCTION VALVE
390238	1	BALL F. 3 WAY PRESSURE VALVE
390251	1	MOTOR HOUSING F. 3-WAY VALVE
390262	1	BALL F. 2 WAY VALVE
390623	1	HOUSING F.3 WAY VALVE
390777	1	HOUSING F.BALL VALVE 3 WAY
391023	1	SMART VALVE MOUNTING BRACKET
391039	1	BALL F. S67 SMART VALVE
391180	1	BALL F. AGITATOR S67 ARE 268
410605	1	BOLT HEX 8.8 DEL M6X80
420862	1	BOLT HEX 8.8 DEL M10X16 FT
440681	1	SCREW F. PLASTIC 4MM X 14LG SS
440685	1	SCREW F.PLASTIC 4X14 SS C-SUNK
440699	1	SCREW F. PLASTIC 4MMM X12LG SS
440729	1	SCREW F. PLASTIC 4MM X40LG SS
460261	1	NUT HEX M6X1.00 LOCK DIN985 A2 SS
460423	1	NUT HEX M10X1.50 LOCK DIN985A2 SS
471122	1	WASHER, M10, Ø20/10.5X 2.0, SS
471125	1	WASHER M6U 6.4X14X1.2,A2 SS
728391	1	VALVE S67 PRESSURE MANIFOLD
728393	1	VALVE 3 WAY F.AGITAT.SHUTOFF
728579	1	SEAL F BALL
728945	1	VALVE 2-WAY YELLOW W.S-67 ENDS
729796	1	VALVE S-67 MANUAL D33 J-D
741446	1	REPAIR KIT F.S67 VALVE - VITON
840062	1	VALVE S67 PRESSURE AGITATION
841062	1	VALVE KIT S67 PRESS. MANIFOLD
14027700	1	SPINDLE F.SMART VALVE S67 L=36
14075700	1	SPINDLE F.SMART VALVE S67 L=81
33501100	1	FACE PLATE F.SMART VALVE GREEN
33506500	1	FACE PLATE F.BALL VALVE BLACK
61025400	1	HANDLE SMART VALVE
72113700	1	VALVE, VARIABLE AGITATION
72172100	1	VALVE S67 "V1" SMART VALVE
72172200	1	VALVE S67 "V2" SMART VALVE
72283600	1	VALVE S67 AGITATION NCM
72292500	1	VALVE S67 SMART VALVE NEW NAV
72538000	1	VALVE S67, LONG SPINDLE
72691600	1	VALVE, S67, 2-WAY F. FILLER





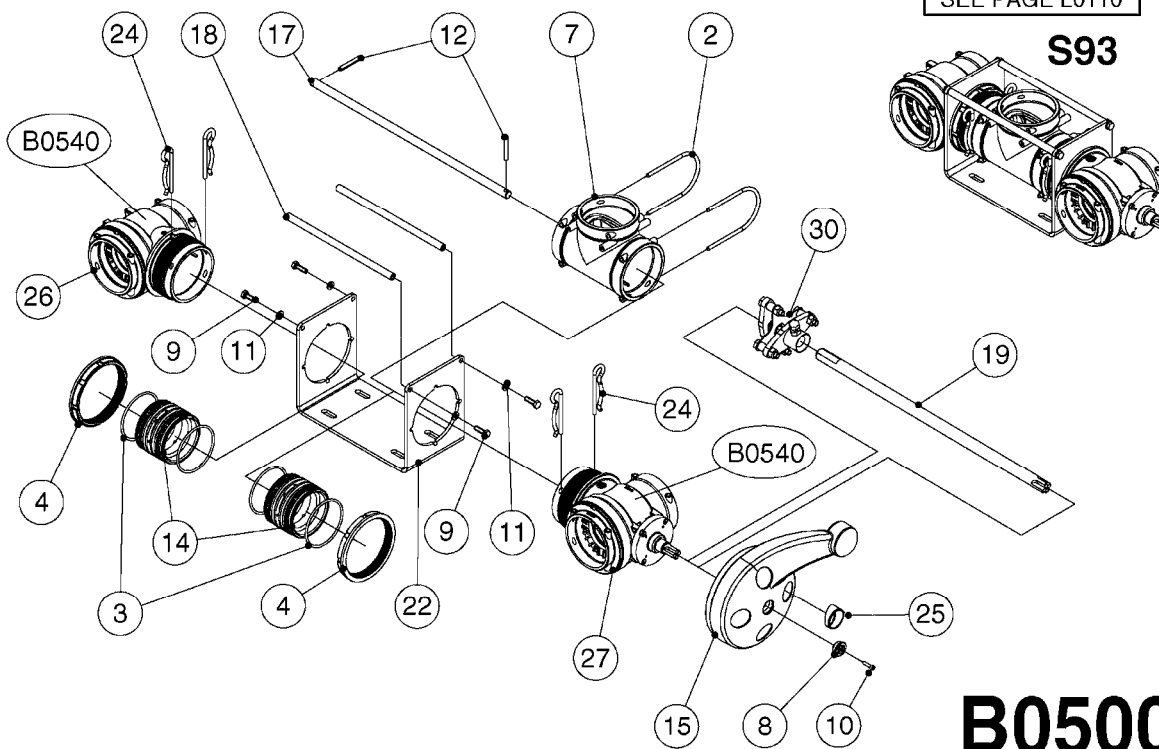
FOR S67 FITTINGS  
SEE PAGE L0100

**S67**



FOR S93 FITTINGS  
SEE PAGE L0110

**S93**



**B0500**



SMART VALVE S67 S93 (07)  
B0500-HIN, 28:01:19

Page 1

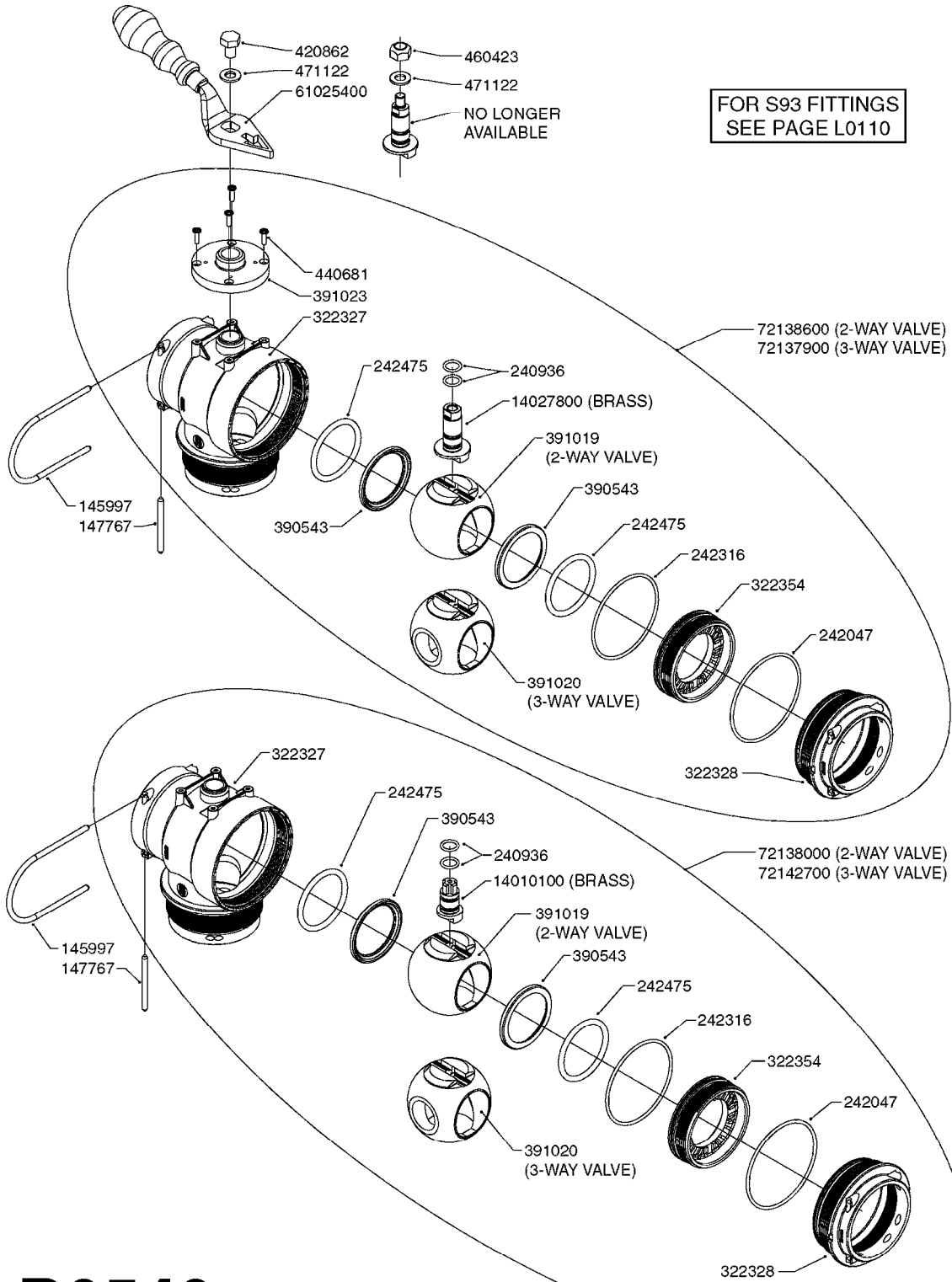
Date 12.08.2020 8:19

Pos.	parts-n°	order qty	description
1	145996	1	FITT.DK S-67 FORK
2	145997	1	FITT.DK S-93 FORK
3	242351	1	O-RING D69.5X3.0 VITON F.S-93
4	322109	1	FITT.DK S-93 BULKHEAD NUT
5	322224	1	FITT.DK S-67 TEE
6	322320	1	NUT F.3 WAY VALVE S56
7	334545	1	FITT.DK S-93 TEE
8	334594	1	PLUG F.VALVE HANDLE BLACK
9	410362	1	BOLT HEX 8.8 SS M6X20
10	410922	1	CYL.SKR 8.8 DEL M4X20 RST
10	450902	1	BOLT ALLEN HEAD M4 X 16MM
11	471125	1	WASHER M6U 6.4X14X1.2,A2 SS
12	480733	1	PIN D6 X 40
13	480803	1	PIN Ø4 X 25
14	728525	1	FITT. S93 CONNECTOR W/O-RINGS
15	741844	1	VALVE HANDLE ASSY. SUCTION NCM
16	741845	1	VALVE HANDLE ASSY. PRESSUR NCM
17	14021500	1	SPINDLE F.S93 SMART VALVE
18	14022700	1	SPACER TUBE Ø10 L=212 SS
19	14038100	1	AXLE FOR SUCTION VALVE HANDLE
20	14038200	1	AXLE FOR PRESSURE VALVE HANDLE
21	14068700	1	SPINDLE,SMART VALVE S67 10MM
22	16059900	1	BRACKET 2 STK S93 SMART VALVE
23	16082300	1	BRACKET 2PCS S67 VALVE 15 BAR
24	28168400	1	HAIRPIN Ø5 S67/S93
25	33505200	1	PLUG FOR SMART VALVE HANDLE
26	72138000	1	VALVE S93 "V2" SMART VALVE
27	72138600	1	VALVE S93 "V3" SMART VALVE
28	72172100	1	VALVE S67 "V1" SMART VALVE
28	72538000	1	NCM 4400/6600 VALVE S67, LONG SPINDLE NAV 3000/4000
29	72172200	1	VALVE S67 "V2" SMART VALVE
30	72283000	1	AXLE JOINT F. SMARTVALVE HANDL



SMART VALVE-S93 MANIFOLD VALVE  
B0540-HIN, 01:01:16

Page	0
Date	12.08.2020 8:19



**B0540**



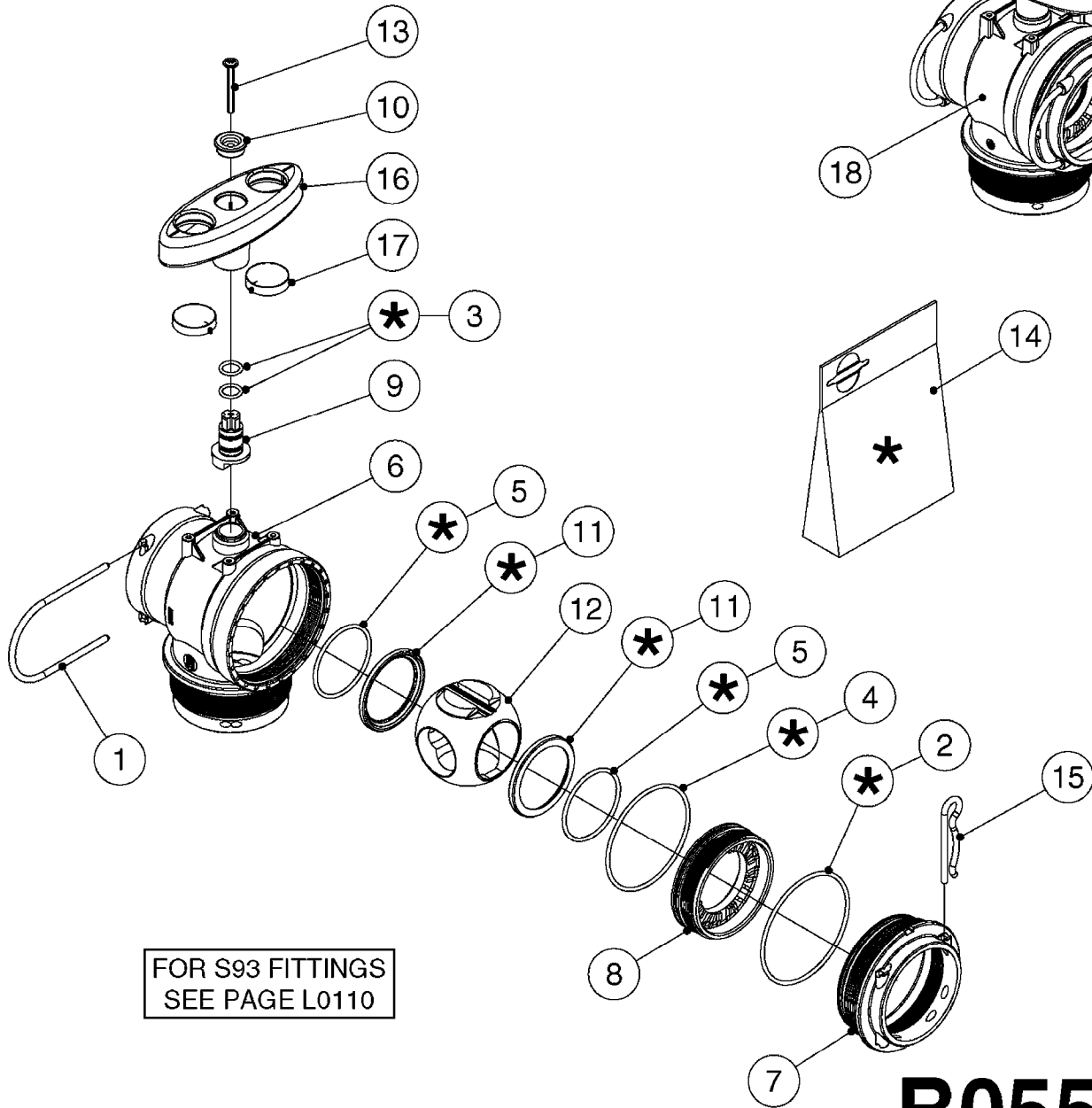
SMART VALVE-S93 MANIFOLD VALVE  
B0540-HIN, 01:01:16

Page 1  
Date 12.08.2020 8:19

parts-n°	order qty	description
145997	1	FITT.DK S-93 FORK
147767	1	PIN 5Ø X 60 S-93 DOUBLE CLAMP
240936	1	O-RING D13.3X2.4 NITRIL
242047	1	O-RING 89.5 X 3.0 VITON
242316	1	O-RING D84.5X3.0 NITRIL
242475	1	O'RING D56.52x5.33 SH70-VITON
322327	1	HOUSING, VALVE, S93, 220 PSI
322328	1	END CAP F.VALVE S-93
322354	1	THRUST PLATE F.3-WAY VALVES-93
390543	1	SEAT F.BALL 3-WAY VALVE S-93
391019	1	BALL F.2 WAY S93 SMART VALVE
391020	1	BALL F.3 WAY S93 SMART VALVE
391023	1	SMART VALVE MOUNTING BRACKET
420862	1	BOLT HEX 8.8 DEL M10X16 FT
440681	1	SCREW F. PLASTIC 4MM X 14LG SS
460423	1	NUT HEX M10X1.50 LOCK DIN985A2 SS
471122	1	WASHER, M10, Ø20/10.5X 2.0, SS
14010100	1	SPINDLE F.SMART VALVE S-93
14027800	1	SPINDLE F.SMART VALVE S-93
61025400	1	HANDLE SMART VALVE
72137900	1	VALVE S93 "V1" SMART VALVE
72138000	1	VALVE S93 "V2" SMART VALVE
72138600	1	VALVE S93 "V3" SMART VALVE
72142700	1	VALVE S93 "V4" SMART VALVE



S93 (07)



FOR S93 FITTINGS  
SEE PAGE L0110

**B0550**

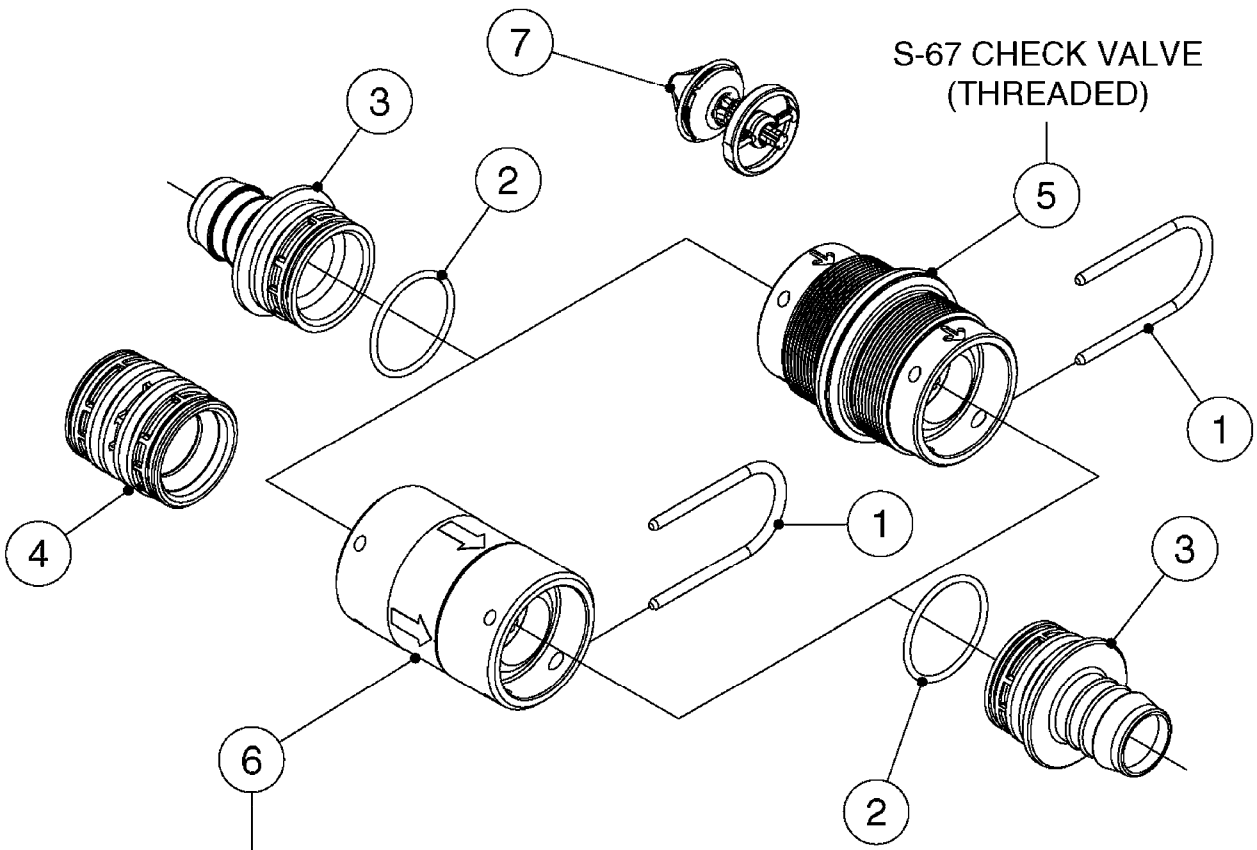


MANIFOLD - S93 VALVE (07)  
B0550-HIN, 28:01:19

Page 1

Date 12.08.2020 8:19

Pos.	parts-n°	order qty	description
1	145997	1	FITT.DK S-93 FORK
2	242047	1	O-RING 89.5 X 3.0 VITON
3	242449	1	O'RING 13.3 x 2.4 VITON
4	242450	1	O-RING D84.5X3.0 VITON
5	242475	1	O'RING D56.52x5.33 SH70-VITON
6	322327	1	HOUSING, VALVE, S93, 220 PSI
7	322328	1	END CAP F. VALVE S-93
8	322354	1	THRUST PLATE F.3-WAY VALVES-93
9	334579	1	SPINDLE F.3 WAY VALVE S-93
10	334594	1	PLUG F. VALVE HANDLE BLACK
11	390543	1	SEAT F. BALL 3-WAY VALVE S-93
12	390544	1	BALL FOR S93 VALVE, 3 HOLES
12	391019	1	BALL F.2 WAY S93 SMART VALVE
13	440729	1	SCREW F. PLASTIC 4MM X40LG SS
14	741726	1	REPAIR KIT F.S93 VALVE VIT.'02
15	28168400	1	HAIRPIN Ø5 S67/S93
16	33514400	1	HANDLE FOR 2 ICONS 07
17	33514500	1	PLUG FOR HANDLE ,2 ICONS
18	72518800	1	QUICK FILL VALVE 2008 NAV
18	72518900	1	SUCTION VALVE 2008 NAV



S-67 CHECK VALVE  
(NON-THREADED)

S-67 CHECK VALVE  
(THREADED)

FOR FITTINGS AND  
HOSES, SEE SECTION L

**B0640**

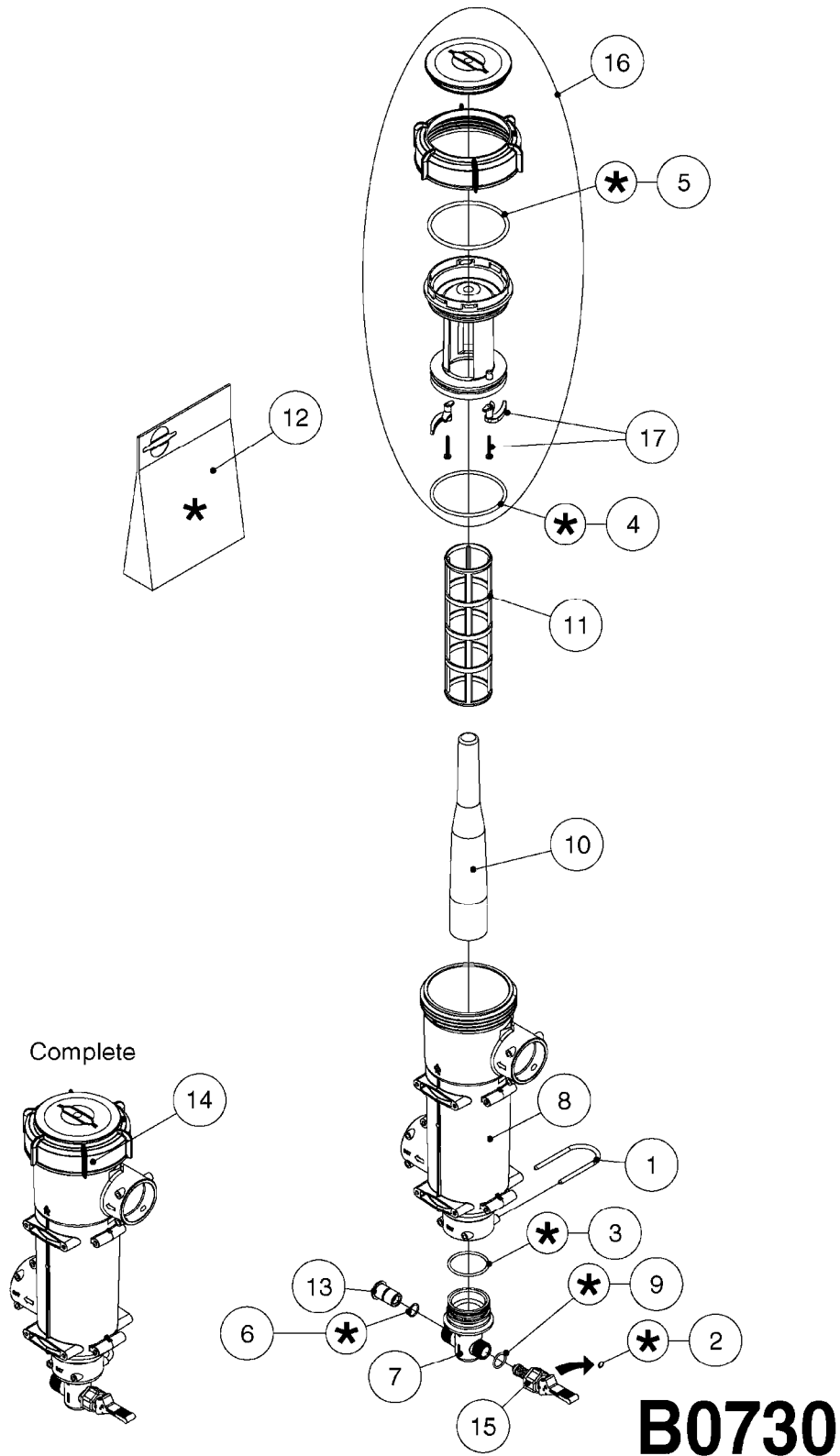


CHECK VALVES - S67 (2011)  
B0640-HIN, 15:10:19

Page 1  
Date 12.08.2020 8:19

Pos.	parts-n°	order qty	description
1	145996	1	FITT.DK S-67 FORK
2	242353	1	O-RING 3 X 44.2 VITON
3	334231	1	FITT.DK S-67 STR.1"
3	334232	1	FITT.DK S-67 STR.1-1/4"
4	72432400	1	FITT.DK S-67 CONNEC W.CHK SEAT
5	72819200	1	CHECK VALVE S67 2012 THREADED
6	72819300	1	CHECK VALVE S67 2012 NO THREAD
7	72878800	1	CHECK VALVE S67 SUBASSEMBLY 2013 INCLUDED WITH #5 & #6



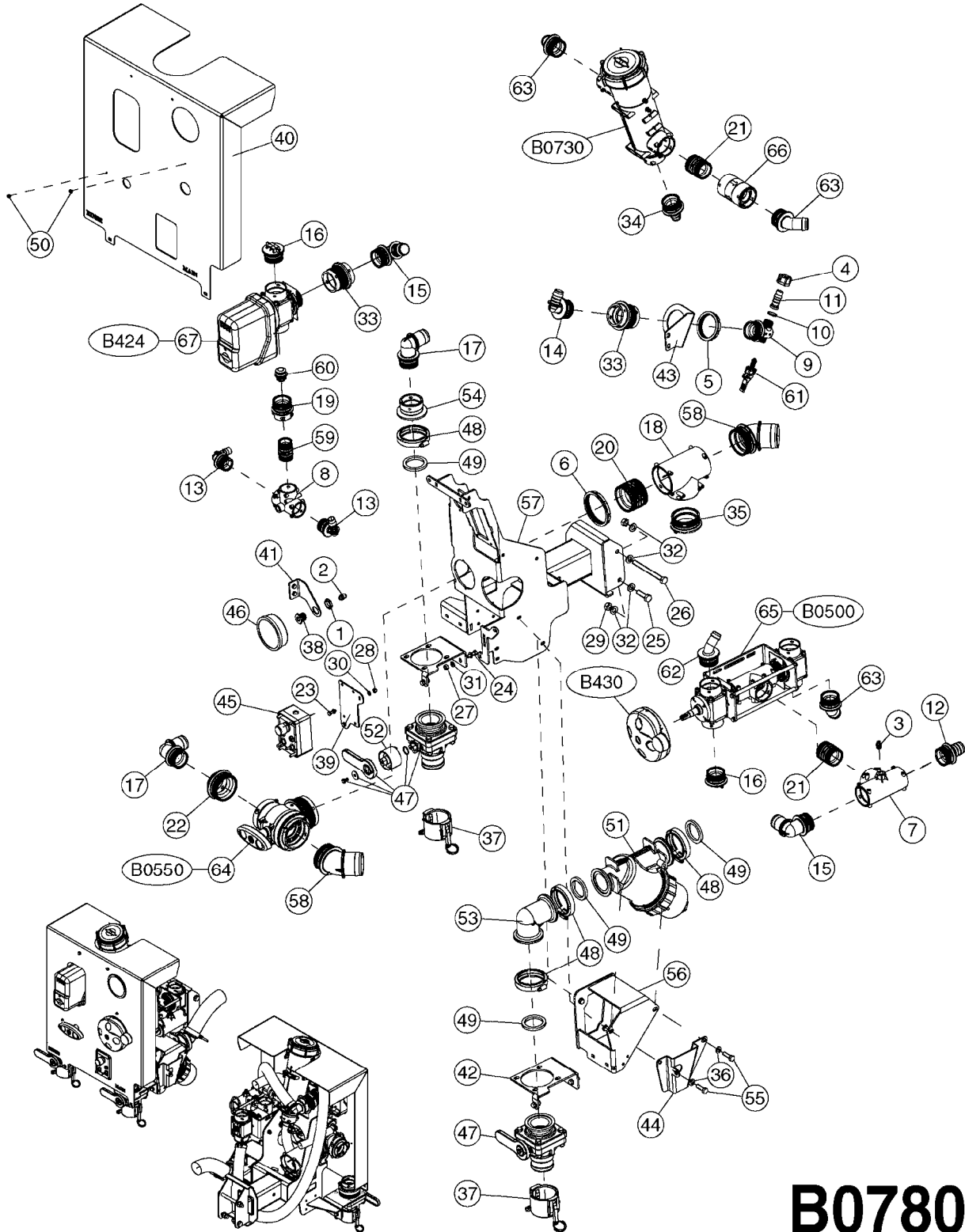




PRESSURE FILTER - CYCLONE  
B0730-HIN, 01:01:16

Page 1  
Date 12.08.2020 8:19

Pos.	parts-n°	order qty	description
1	145996	1	FITT.DK S-67 FORK
2	241323	1	O-RING D5.3X2.4 NITRIL
3	242353	1	O-RING 3 X 44.2 VITON
4	242565	1	O-RING Ø 85 X 4.0 SH70 VITON
5	242577	1	O-RING Ø 86 X 4.5 SH70 VITON
6	242594	1	O-RING D14 X 1.78 SCH.70-EPDM
7	322358	1	T-PIECE S67-1/2"-3/4"
8	322359	1	CYCLONE FILTER HOUSING
9	330315	1	O-RING D18.4/D13X.6
10	391093	1	CONE F. CYCLONE FILTER
11	61036000	1	FILTER ELEM.S93,100 MSH-YELLOW
11	615416	1	FILTER ELEM.S93,50 MESH-BLUE
11	72557200	1	FILTER ELEM.S93,80# CYCLONE
12	741827	1	SEAL KIT CYCLONE FILTER
13	39127500	1	VALVE SEAT D18/10 3/4"-1/2" 09
14	72281200	1	CYCLONE FILT.COMP. 80 MSH S67
14	72316500	1	CYCLONE FILT.COMP.50 MSH S67
14	72316600	1	CYCLONE FILT.COMP.100 MSH S67
15	72281300	1	VALVE BOOSTER/ON/OFF CYCLONE F
16	72352200	1	LID COMPLETE F. CYCLONE FILTER
17	74192900	1	FILTER LOCK PARTS - CYCLONE



**B0780**



Pos.	parts-n°	order qty	description
1	140766	1	NUT 1/2" BSP
2	231346	1	QUICK COUPLER 1/8"BSP X 4 MM
3	232230	1	QUICK COUPLER 1/4"BSP X 4 MM
4	320283	1	FITT.DK NUT 3/4"BSP
5	322108	1	FITT.DK S-67 BULKHEAD NUT
6	322109	1	FITT.DK S-93 BULKHEAD NUT
7	322224	1	FITT.DK S-67 TEE
8	322352	1	FITT.DK S-53 TEE
9	322358	1	T-PIECE S67-1/2"-3/4"
10	330595	1	O-RING D24.6/D20X2.1 -3/4"
11	330691	1	FITT.DK HB 3/4'F.3/4' NUT
12	334232	1	FITT.DK S-67 STR.1-1/4"
13	334241	1	FITT.DK S-53 ELB.3/4"
14	334243	1	FITT.DK S-67 ELB.1"
15	334244	1	FITT.DK S-67 ELB.1-1/4"
16	334250	1	FITT.DK S-67 PLUG
17	334445	1	FITT.DK S-67 ELB.1-1/2"
18	334545	1	FITT.DK S-93 TEE
19	334564	1	FITT.DK S-67 TO S-53 ADAPTER
20	334572	1	FITT.DK S-93 ADAPTOR MALE MALE
21	334573	1	FITT.DK S-67 CONNECTOR
22	334601	1	FITT.DK S-93 TO S67 ADAPTOR
23	410362	1	BOLT HEX 8.8 SS M6X20
24	421046	1	BOLT HEX M8X25/25 A2 SS DIN933
25	430721	1	BOLT HEX 8.8 DEL M12X40 FT
26	430932	1	BOLT HEX 8.8 DEL M12X130 FT
27	460143	1	LOCK NUT M8 SST A2 DIN985
28	460261	1	NUT HEX M6X1.00 LOCK DIN985 A2 SS
29	460703	1	NUT HEX M12X1.75 LOCK DIN985A2 SS
30	471125	1	WASHER M6U 6.4X14X1.2,A2 SS
31	471126	1	WASHER, M8, Ø16/ 8.4X 1.6, SS
32	471127	1	WASHER, M12, Ø24/13X24X2.5 SS
33	726464	1	FITT.DK S-67 BULKHEAD W/GASKET
34	726560	1	FITT.DK S-67 STR.1" W.O'RING
35	726580	1	FITT. S93 PLUG W/O-RING
36	10009703	1	WASHER LOCK L/W Z 3/8"
37	10531003	1	CAP F.MALE QUICK COUPLER 2"
38	14055400	1	FITT.DK REDUC 1/2"x1/8"x1/4"BS
39	16172003	1	BRACKET, CONTROL BOX, PRESIDIO
40	16172103	1	MAIN FLUID SYSTEM, COVER, PRESIDIO
41	16174603	1	BRACKET, PRESSURE GAUGE, PRESIDIO
42	16176603	1	BALL VALVE BANJO 2" FLANGE, BRACKET, PR
43	16177003	1	BRACKET, CLEAN CYCL. FILTER HANDLE, PR
44	16182803	1	BRACKET, AIR GUN DUST CLEANING, PR
45	26031703	1	OUTSIDE CONTROL BOX ASSEMBLY, PR2700
46	28014403	1	GAUGE 4"BR REAR PSI200
47	28034403	1	BALL VALVE BANJO 2" FLANGE
48	28034503	1	CLAMP F. 2" STD BANJO FLANGE
49	28034603	1	GASKET F. 2" FP BANJO FLANGE
50	28087800	1	BUTTON, VALVE FUNCTION 4Ø
51	28091003	1	Y STRAINER, BANJO, 2" FLANGE,30 MESH
52	28091103	1	HANDLE RISER, BANJO, 2"x1-3/8" HANDLE OFFSET
53	28091203	1	COUPLING, BANJO, 2", FLANGE, 90
54	39002003	1	FITT S67/2" FP BANJO FLANGE
55	42000203	1	BOLT HEX 3/8-16X3/4 18-8 SS
56	61019803	1	BRACKET, Y STRAINER, BANJO, 2", FLANGE, PR
57	63041903	1	BRACKET, MAIN FLUID SYSTEM, PR
58	72072900	1	FITT. S93 2-1/2" 45° S W/O-RING
59	72114300	1	FITT. DK S-53 MALE MALE W.ORIN
60	72132600	1	CHECK VALVE SUBASSEMBLY S53
61	72281300	1	VALVE BOOSTER/ON/OFF CYCLONE F

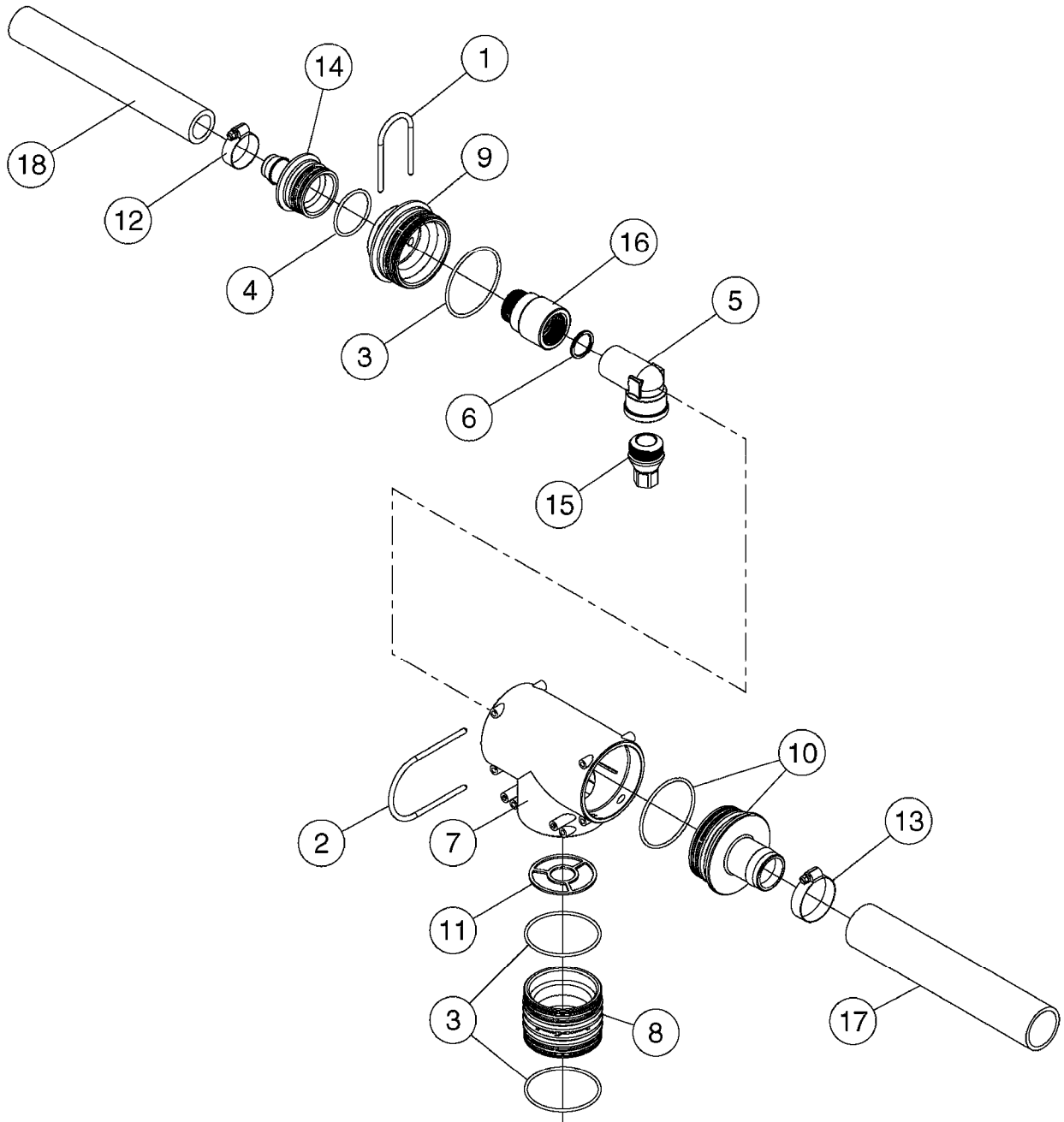


MAIN FLUID - PRESIDIO  
B0780-HIN, 03:08:16

Page 2

Date 12.08.2020 8:19

Pos.	parts-n°	order qty	description
62	72433000	1	FITT.S67 1" 45° W/O-RING
63	72433100	1	FITT.DK S-67 45° 1-1/4"W/ORING
64	72518900	1	SUCTION VALVE 2008 NAV
65	72538100	1	SMART VALVE S67 2009 GNAV
66	72819300	1	CHECK VALVE S67 2012 NO THREAD
67	72867700	1	S67 EL. AGITATION VALVE HALL SENSOR "11" HE



**B0790**

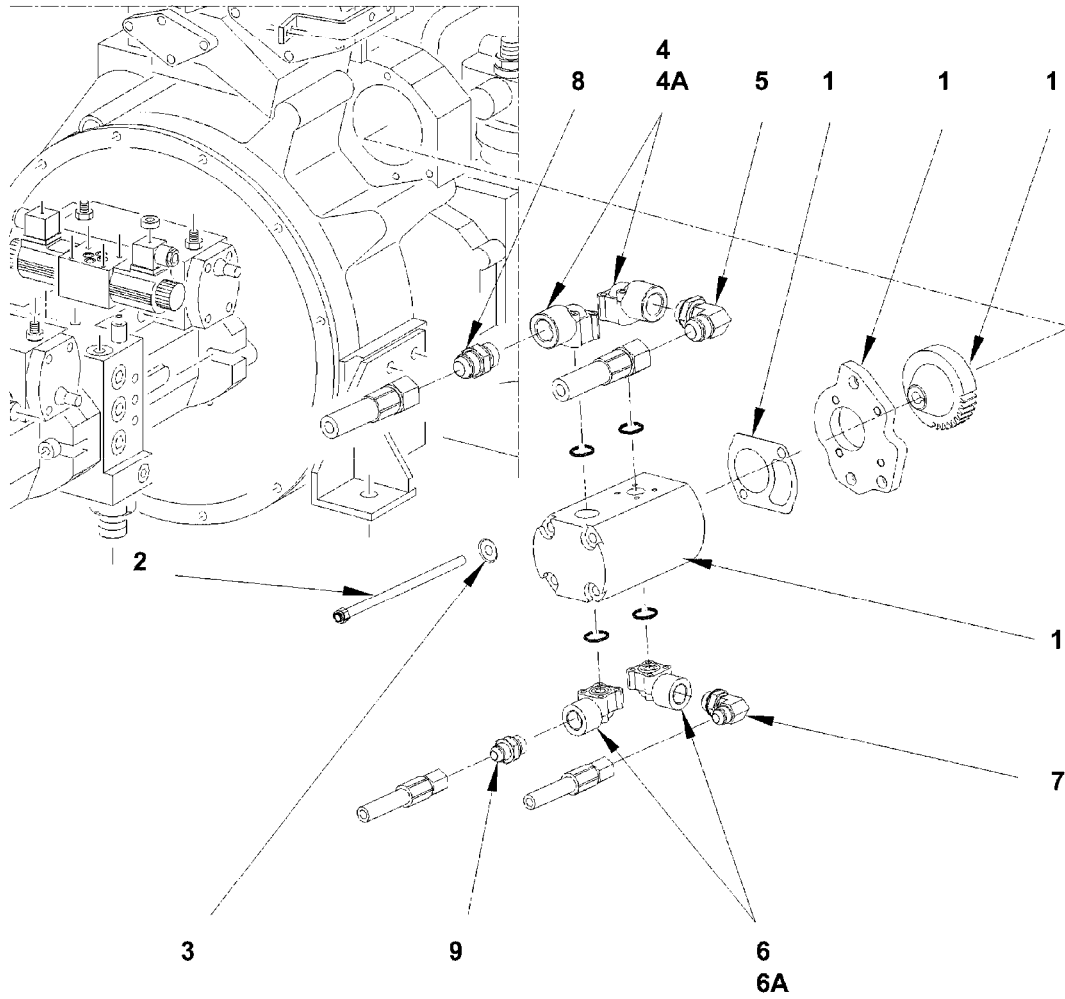


S93 EJECTOR F.TURBOFILLER  
B0790-HIN, 30:08:16

Page 1

Date 12.08.2020 8:19

Pos.	parts-n°	order qty	description
1	145996	1	FITT.DK S-67 FORK
2	145997	1	FITT.DK S-93 FORK
3	242351	1	O-RING D69.5X3.0 VITON F.S-93
4	242353	1	O-RING 3 X 44.2 VITON
5	322138	1	FITT.DK ELB 1"M X 1"F BSP
6	330326	1	O-RING D30/D24X2 F.1"NUT
7	334545	1	FITT.DK S-93 TEE
8	334572	1	FITT.DK S-93 ADAPTOR MALE MALE
9	334601	1	FITT.DK S-93 TO S67 ADAPTOR
10	728523	1	FITT.DK S-93 STR.1-1/2" W.O-RING
11	16376600	1	CENTERING RING F. EJECTOR NOZZLE
12	28030003	1	CLAMP HOSE GEAR P1" 6716
13	28030103	1	CLAMP HOSE GEAR P5/4-S1.5"6724
14	39120900	1	FITT.DK S67 STR.1" 1RG INSIDE
15	39143800	1	NOZZLE T.F. EJECTOR
16	39143900	1	1" NPT EXT/INT EXTENSION
17	92702603	1	HOSE PVC SUCT GRAY 1-1/2"
18	92712403	1	HOSE R X1" X300PSI WP X0012"



**C700-HAU**



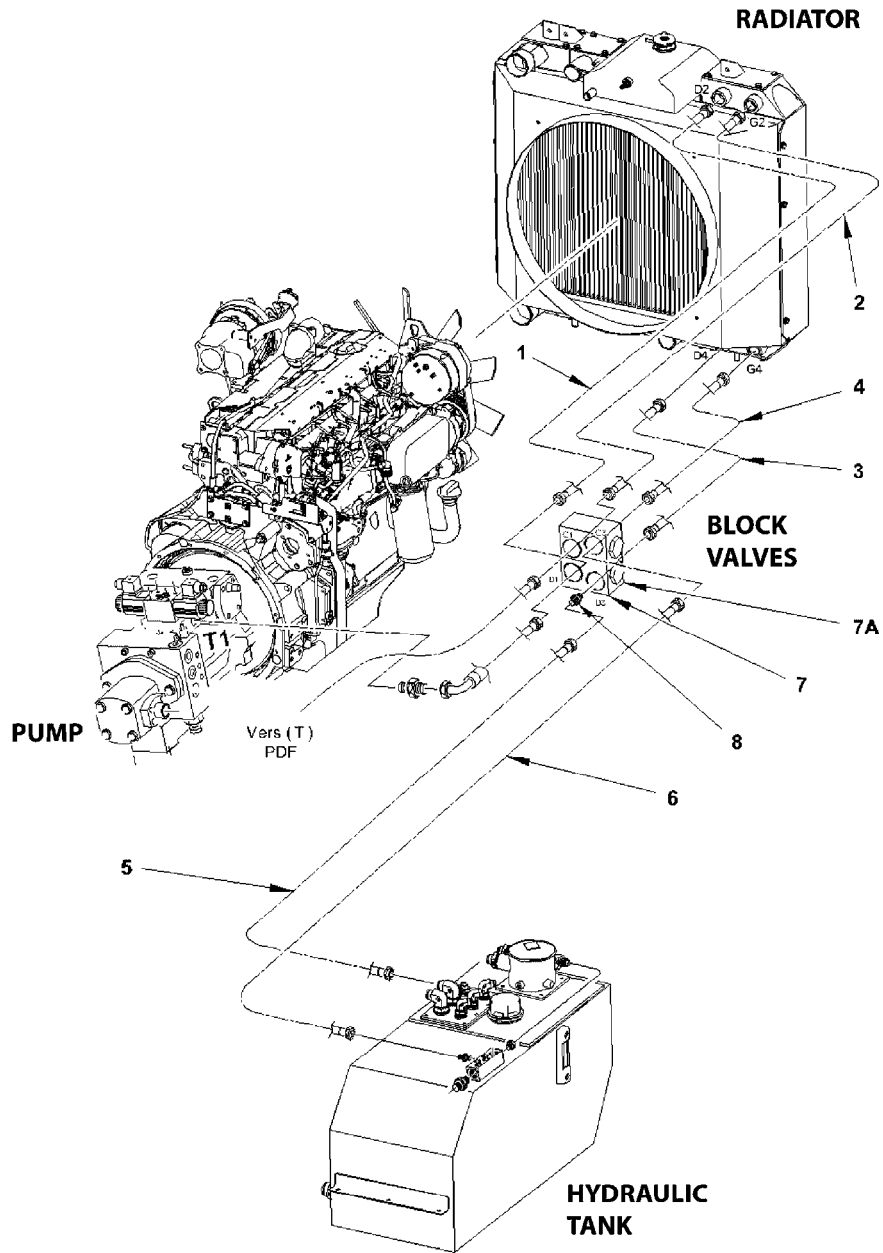


PRESIDIO DOUBLE PUMP ON ENGINE  
C700-HAU, 11:01:16

Page 1

Date 12.08.2020 8:19

Pos.	parts-n°	order qty	description
1	PR-HP0014	1	GEAR PUMP, 12CC+8CC, PRESIDIO
2	PR-DB2142010165	1	part available on request
3	PR-DS1502010	1	WASHER DECOL. M10x22x2-Zn
4	PR-HT0074	1	ASPI CLAMP 3/4 "
4A	PR-HJ0084	1	JOINT FLANGE HT0074 SAUER 14
5	PR-HR0058	1	HYDRAULIC CONNECTION ELBOW MJ11/16-MG3
6	PR-HT0075	1	DISCHARGE FLANGE 1/2 "
6A	PR-HJ0085	1	FLANGE JOINT HT0075 SAUER 14
7	PR-HR0047	1	HYDRAULIC CONNECTION ELBOW MJ3 / 4-MG1
8	PR-HR0087	1	HEX FITTING #12 JIC M X G3/4"M STR
9	PR-HR0013	1	HYDRAULIC CONNECTION RIGHT MJ3 / 4-MG1



# C701-HAU

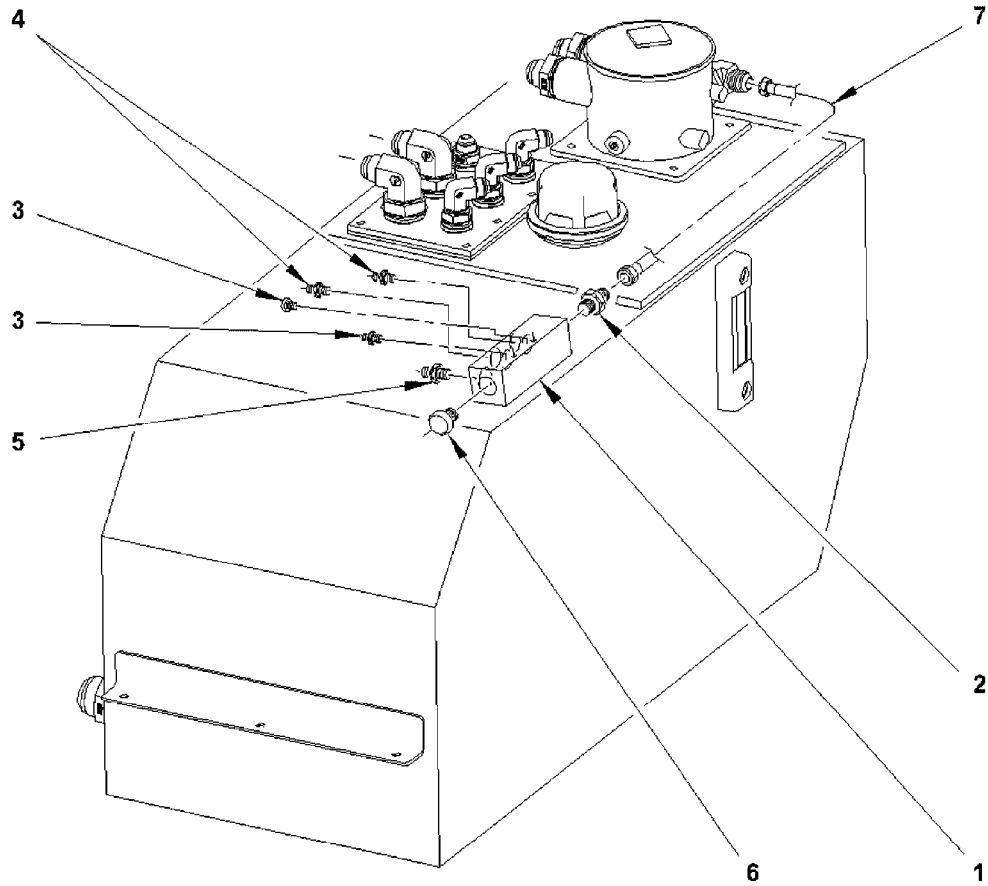


PRESIDIO HYDRAULIC RETURN CIRC  
C701-HAU, 11:01:16

Page 1

Date 12.08.2020 8:19

Pos.	parts-n°	order qty	description
1	PR-HF1001AT0110	1	HOSE FL 1" 1AT 550 772 772
2	PR-HF1001AT0110	1	HOSE FL 1" 1AT 550 772 772
3	PR-HF1001AT0109	1	HOSE FL 1" 1AT 870 772 772
4	PR-HF1001AT0108	1	HOSE FL 1" 1AT 950 772 772
5	PR-HF1001AT0125	1	HOSE FL 1" 1AT 3070 772 772
6	PR-HF3402AT0188	1	HOSE FL 3/4 2AT 2500 770 771
7	PR-HD0337	1	VALVE BLOCK HEATER PR32/4240
7A	PR-HD0337-01	1	CHECK VALVE 100L/MIN-1.5
8	PR-HR0093	1	HEX NIPPLE #16JICM-#16BSPPM



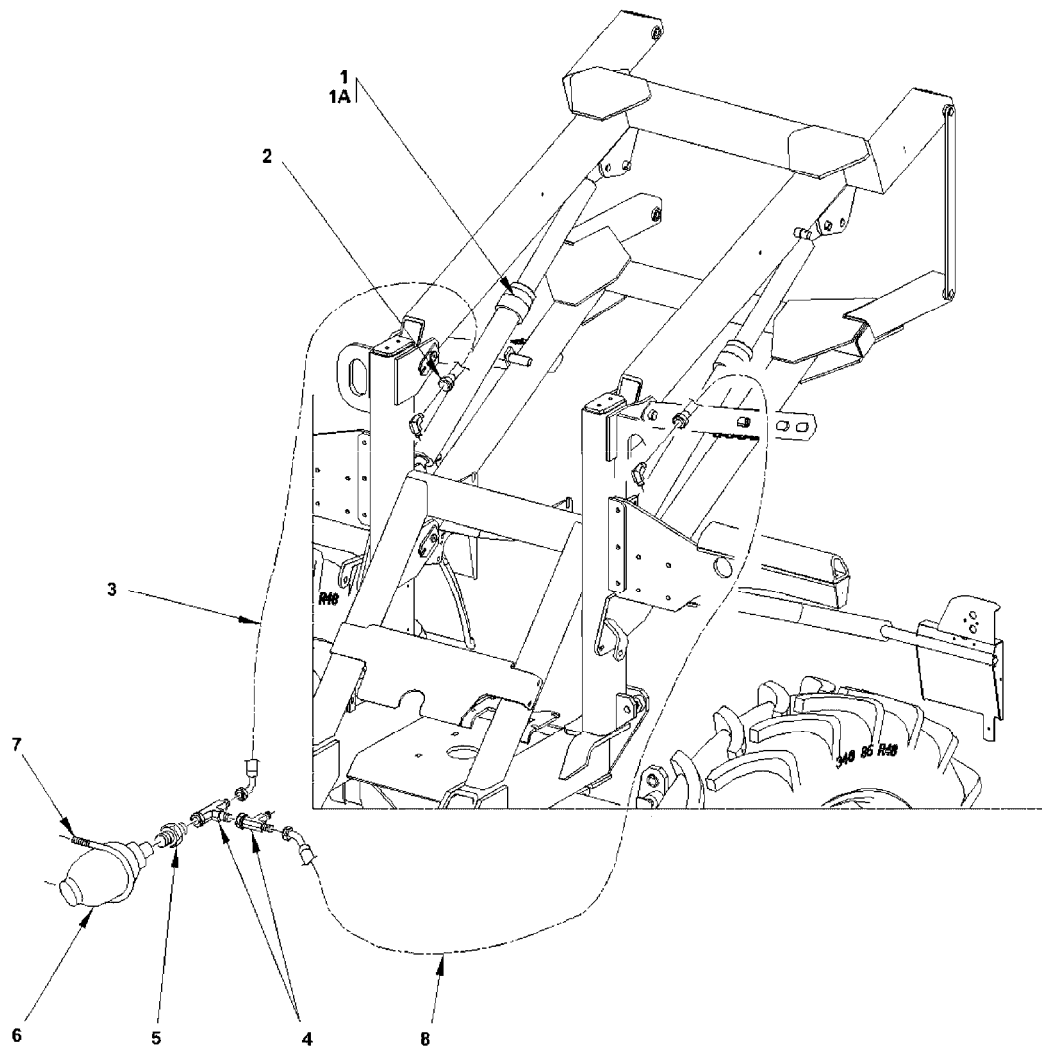
**C702-HAU**



PRESIDIO MANIFOLD FILT. RE. L.  
C702-HAU, 11:01:16

Page 1  
Date 12.08.2020 8:19

Pos.	parts-n°	order qty	description
1	PR-HA0400	1	HYD.MANIFOLD ALU 2017 100 p
2	PR-HR1015	1	HYDRAULIC CONNECTION RIGHT MJ15 / 8-MG
3	PR-HR9992	1	BM CYL CAP 1/2 "
4	PR-HR0013	1	HYDRAULIC CONNECTION RIGHT MJ3 / 4-MG1
5	PR-HR0087	1	HEX FITTING #12 JIC M X G3/4"M STR
6	PR-HR9988	1	BM CYL CAP 1 1/4 "
7	PR-HF1141AT0071	1	HOSE FL 1"1/4 1AT 450 608 684



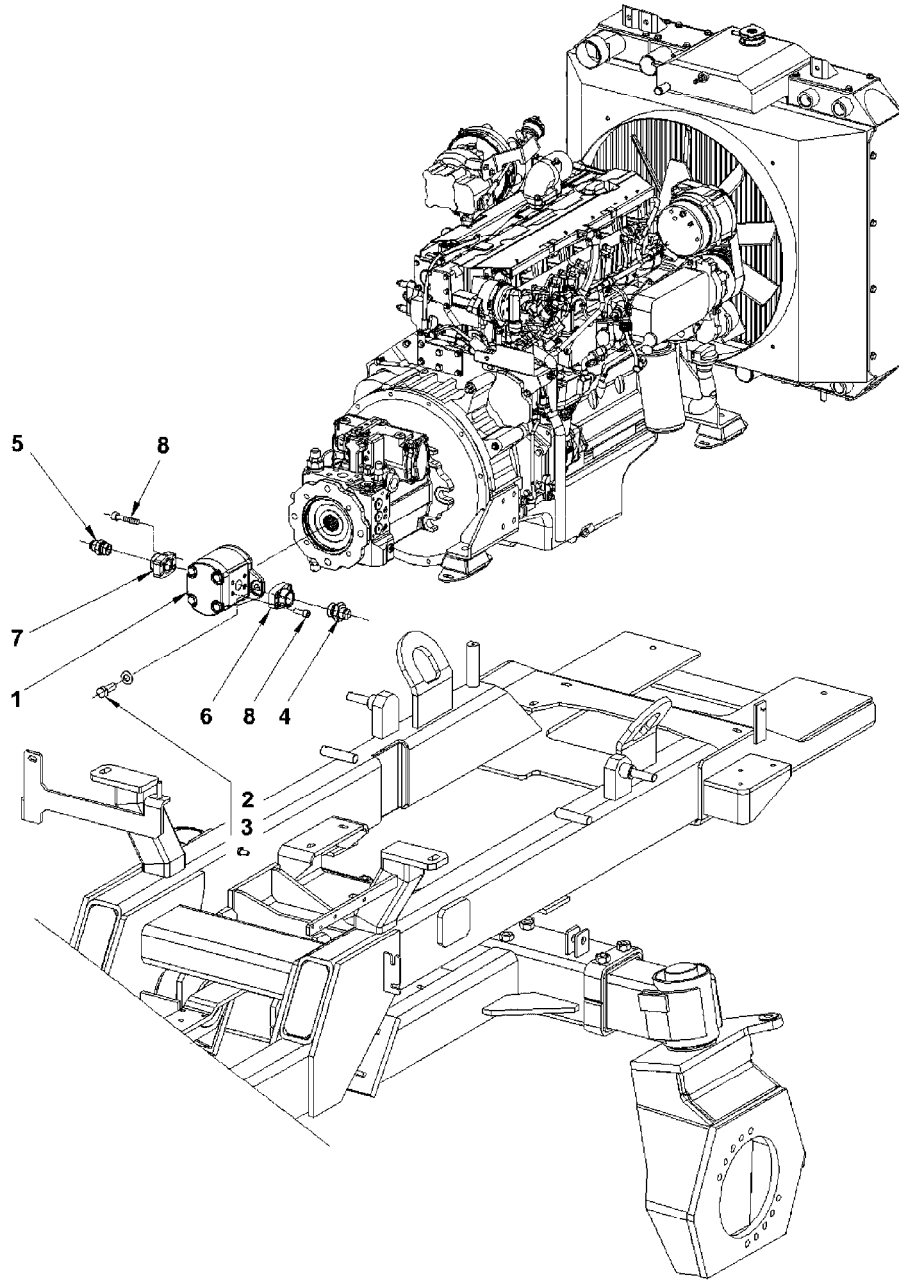
# C703-HAU



PRESIDIO HYDR. CIRC. FOR BOOMS  
C703-HAU, 11:01:16

Page 1  
Date 12.08.2020 8:19

Pos.	parts-n°	order qty	description
1	PR-HV0112	1	CYLINDER SE60X65/C545 REL / / AM2008
1A	PR-HV0112-01	1	COVER SEAL CYLINDER HV0112
2	PR-HR0135	1	HYD. FIT. 90 M-M 3/4"JICx3/8"BSPP
3	PR-HF1204SH0217	1	HOSE FL 1/2 4SH 1500 703 753
4	PR-HR0008	1	HYDRAULIC CONNECTION TMRJ3 / 4-FJ3 / 4
5	PR-HR0013	1	HYDRAULIC CONNECTION RIGHT MJ3 / 4-MG1
6	PR-HA0090	1	ACCUMULATOR 0.7L/60 BAR
7	PR-HA0093	1	CLAMP F.ACCUMULATOR 0.7L
8	PR-HF1204SH0068	1	HOSE FL 1/2 4SH 2200 651 753



**C704-HAU**

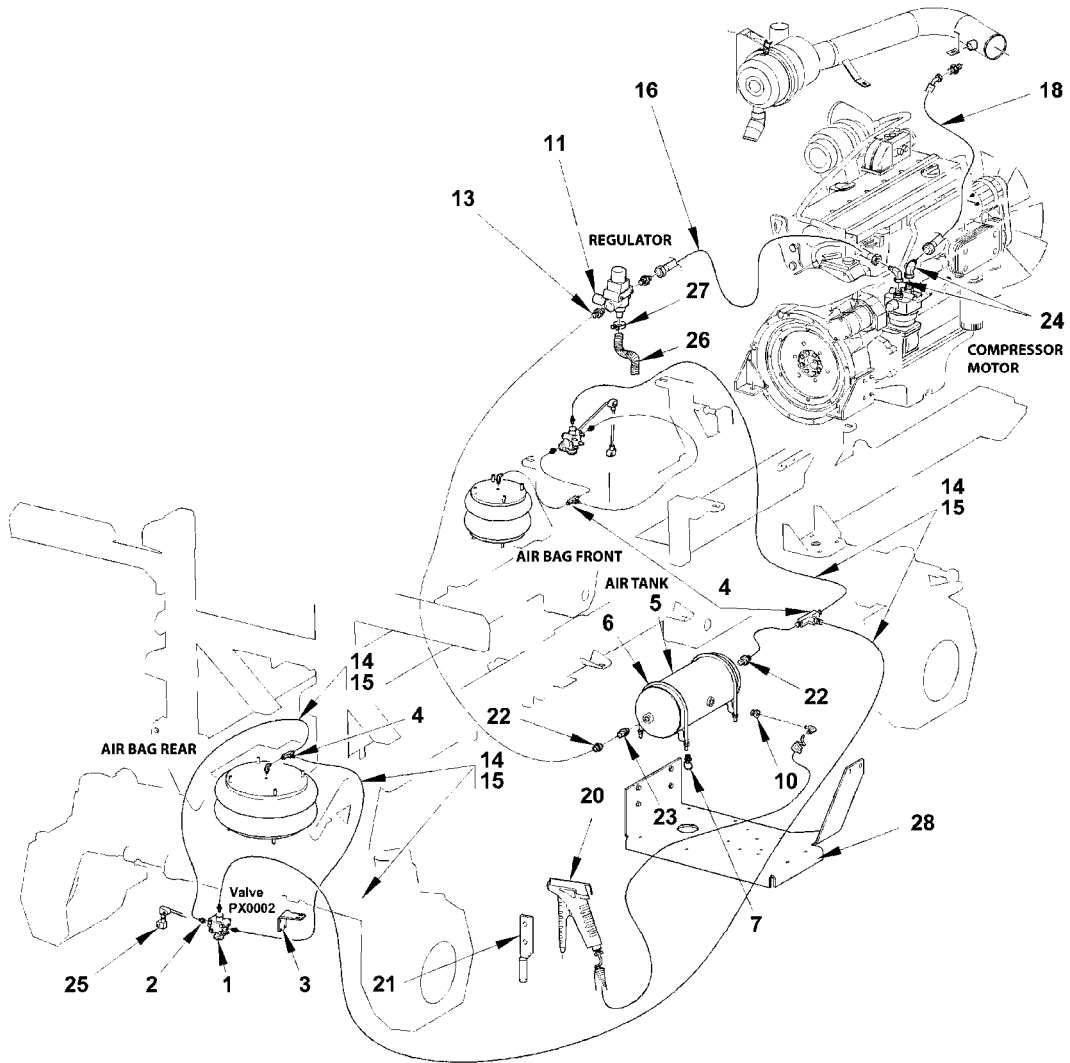




PRESIDIO POWER TAKE-OFF PUMP  
C704-HAU, 11:01:16

Page 1  
Date 12.08.2020 8:19

Pos.	parts-n°	order qty	description
1	PR-HP0192	1	PUMP
2	PR-DB1022012030	1	HM Class 8.8 M 12X 30 SCREW
3	PR-DS1502012	1	WASHER DECOL. M12x27x2 ,5-Zn
4	PR-HR0078	1	HYDRAULIC CONNECTION RIGHT MJ11/16-MG1
5	PR-HR0087	1	HEX FITTING #12 JIC M X G3/4"M STR
6	PR-HT0040	1	THREADED FLANGE SAE 3000 PSI 1 "
7	PR-HT0043	1	THREADED FLANGE SAE 3000 PSI 3/4
8	PR-DB2222380114	1	SCREW CHC cl. 12.9 3/8X1 "1/4"



**C709-HAU**

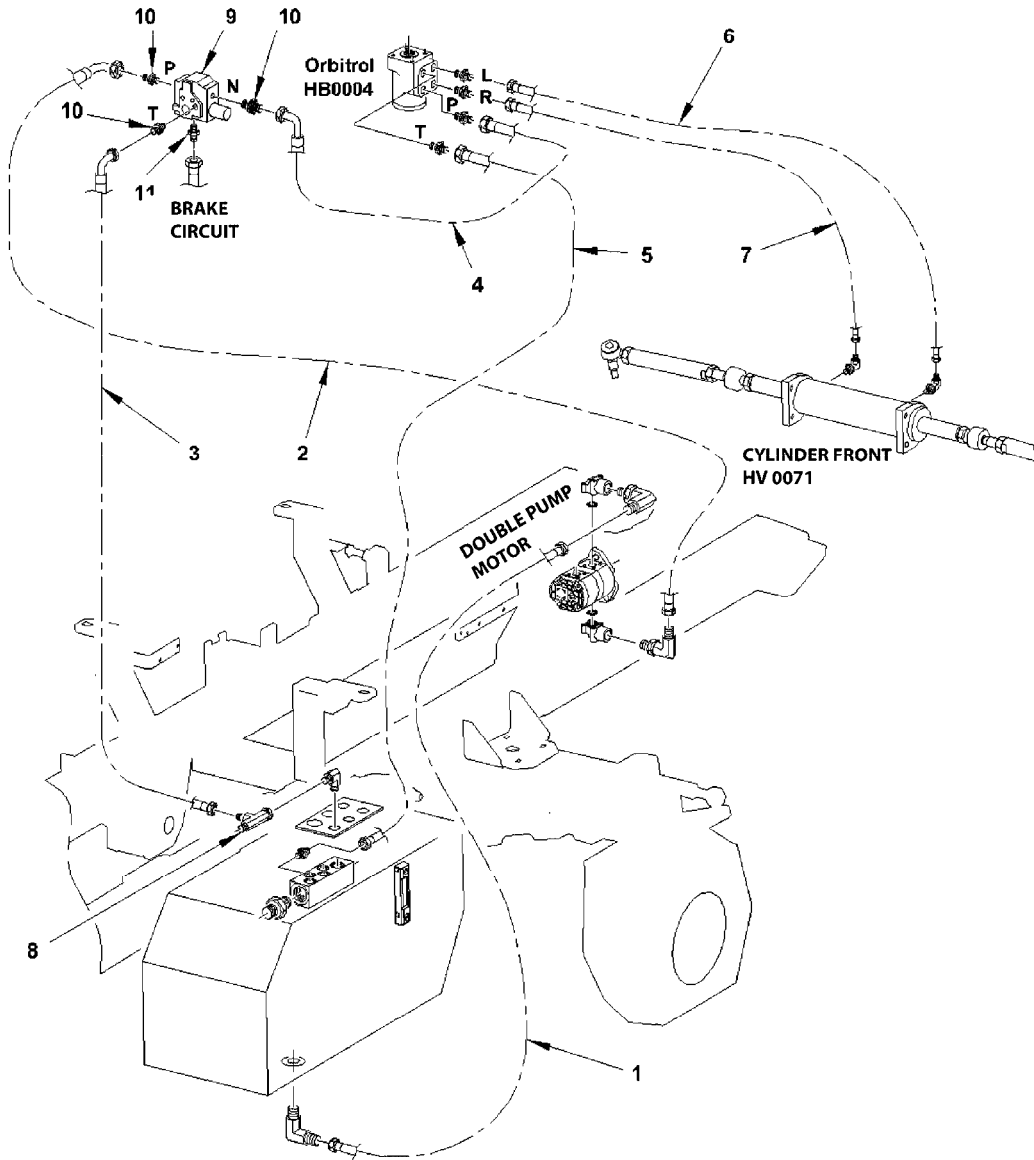


PRESIDIO PNEUMATIC CIRCUIT  
C709-HAU, 11:01:16

Page 1

Date 12.08.2020 8:19

Pos.	parts-n°	order qty	description
1	PR-PX0002	1	VALVE LEVELING SV 1460
2	PR-PX0010	1	CONNECTOR F.SUSPENSION VALVE
3	PR-FEPR32093	1	REAR AIR VALVE PR3240
4	PR-PR0021	1	FITTING AIR TE DIAM 6
5	PR-PC0102	1	BOTTLE AIR UTL4000 UT 90
6	PR-PC0103	1	BRIDE AND NECKLACE UTL4000
7	PR-PC0104	1	PURGE, FITT., AIR TANK, PRESIDIO
8	PR-HR0047	1	HYDRAULIC CONNECTION ELBOW MJ3 / 4-MG1
9	PR-PR0056	1	TIRE ELBOW FITTING
10	PR-PR0058	1	ADAPTER 1/2 - 1/4 GEF
11	PR-PC0110	1	PRESSURE REGULATOR DR3500
13	PR-HR0108	1	HYDRAULIC CONNECTION RIGHT MJ3 / 4-MI2
14	PR-PR0091	1	AIR HOSE BLACK D 4X6
15	PR-EC0047	1	SPLIT SHAFT ADAPTOR DIAMETER 6
16	PR-HF1202AT0556	1	HOSE FL 1/2 2AT 2000 685 753
17	PR-HF1202AT0555	1	HOSE FL 1/2 2AT 960 753 753
18	PR-HF3402AT0191	1	HOSE FL 3/4 2AT 1100 770 776
20	PR-PT0061	1	KIT BLOW
22	PR-PR0056	1	TIRE ELBOW FITTING
23	PR-PR0058	1	ADAPTER 1/2 - 1/4 GEF
24	PR-HR0167	1	HYDRAULIC CONNECTION ELBOW MJ11/16-FJ1
25	PR-PX0014	1	LINK RUBBER VALVE
26	PR-EC0050	1	SIB PVC DUCT DIAMETER 20
27	PR-DC0041	1	CLAMP SER BC DIAM 13 16_25
28	PR-FEPR25097	1	AIR TANK SUPPORT PR2540



**C710-HAU**

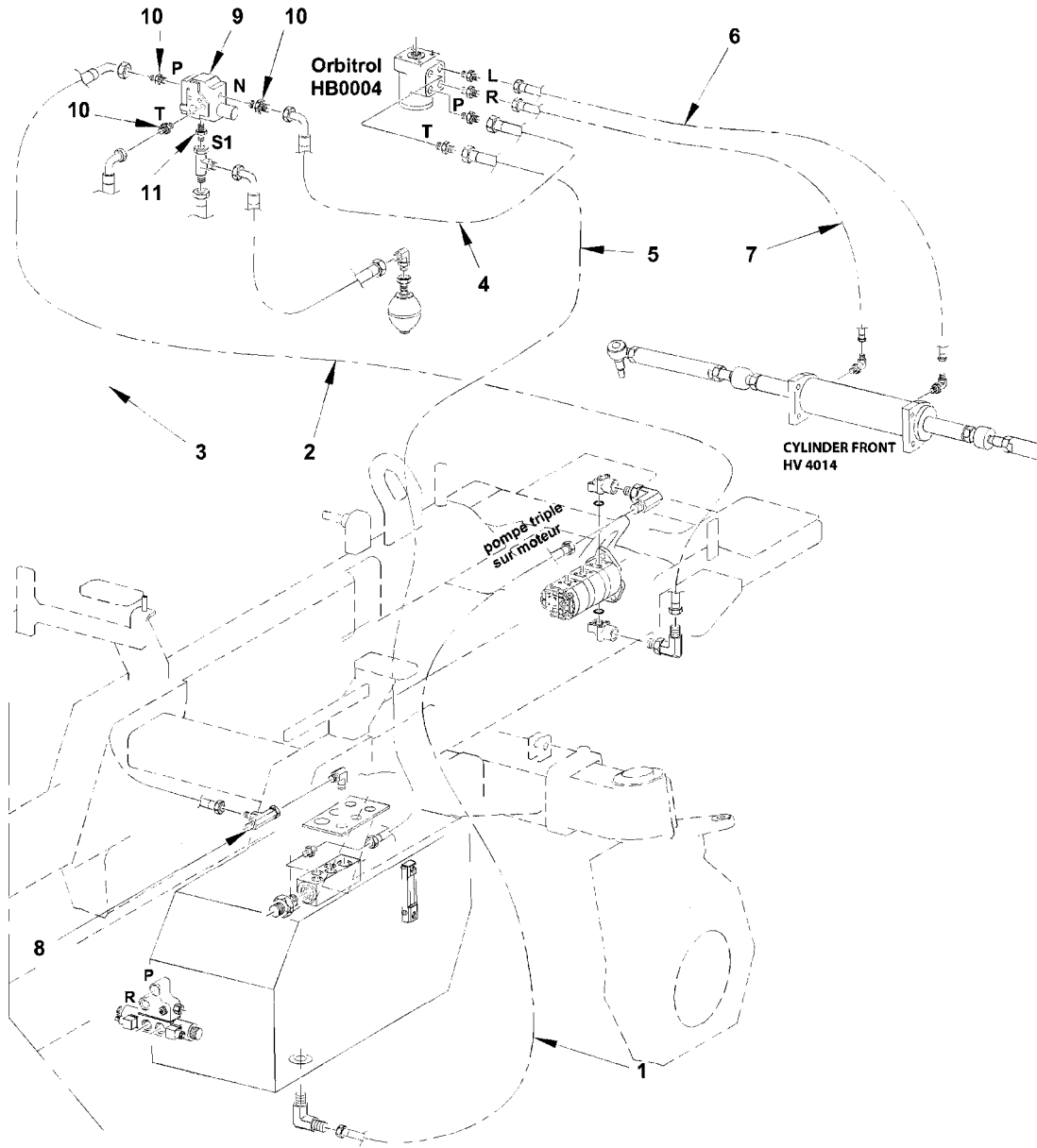


PRESIDIO HYD. STEERING CIRCUIT  
C710-HAU, 11:01:16

Page 1

Date 12.08.2020 8:19

Pos.	parts-n°	order qty	description
1	PR-HF3402AT0190	1	HOSE FL 3/4 2AT 2350 770 771
2	PR-HF1202AT0425	1	HOSE FL 1/2 2AT 670 703 753
3	PR-HF5161AT0377	1	HOSE FL 5/16 1AT 2700 681 687
4	PR-HF1202AT0219	1	HOSE FL 1/2 2AT 2250 703 753
5	PR-HF5162AT0245	1	part available on request
6	PR-HF5161AT0575	1	HOSE FL 5/16 2AT 2700 681 681
7	PR-HF5161AT0575	1	HOSE FL 5/16 2AT 2700 681 681
8	PR-HR0008	1	HYDRAULIC CONNECTION TMRJ3 / 4-FJ3 / 4
9	PR-HA0020	1	BRAKE SELECTOR LT06
10	PR-HR0110	1	HYDRAULIC CONNECTION RIGHT MJ3 / 4-MI1
11	PR-HR0124	1	HYDRAULIC CONNECTION RIGHT MJ1 / 2-MI1



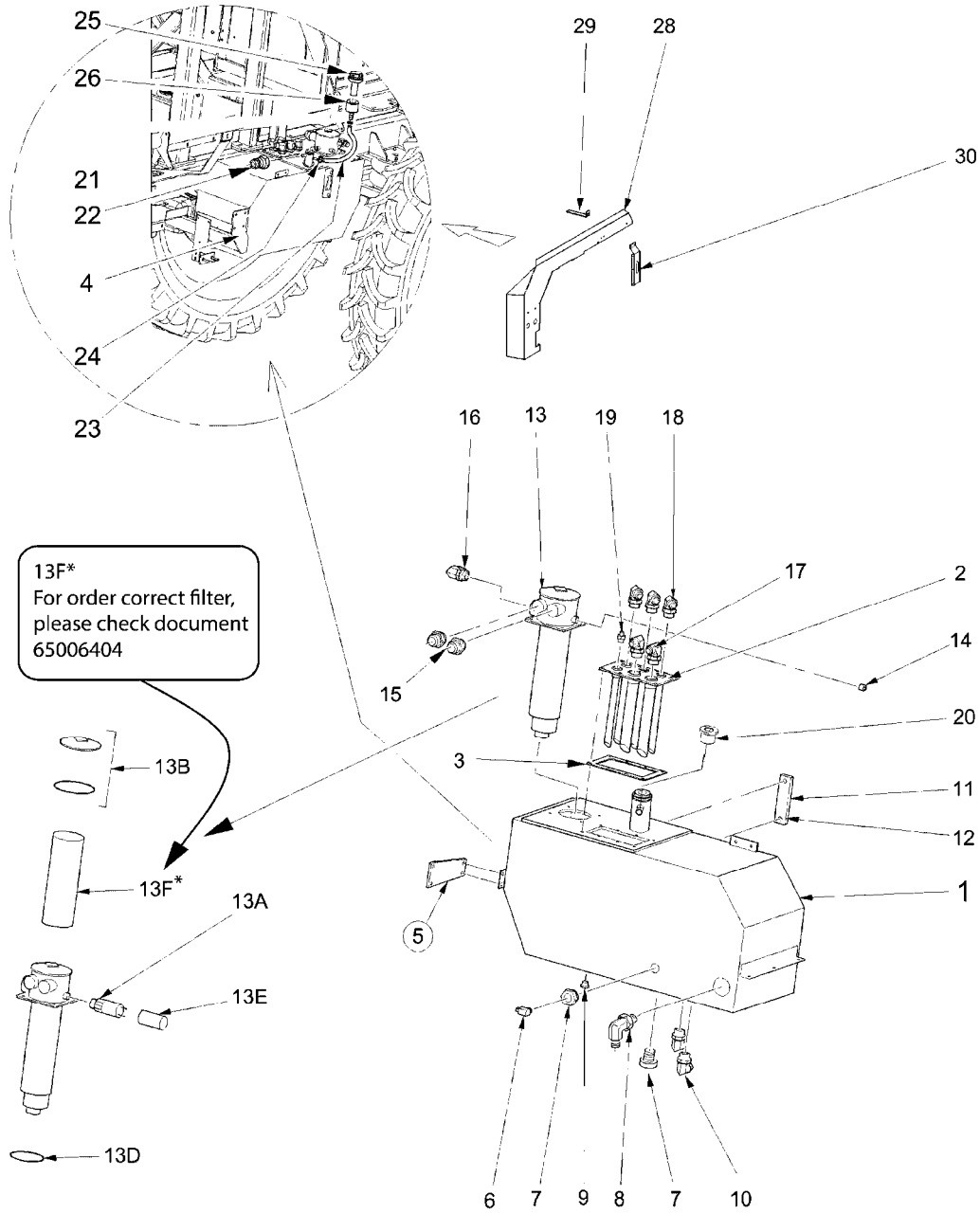
# C711-HAU



HYD. STEERING CIRC. FRONT AXLE  
C711-HAU, 11:01:16

Page 1  
Date 12.08.2020 8:19

Pos.	parts-n°	order qty	description
1	PR-HF3402AT0188	1	HOSE FL 3/4 2AT 2500 770 771
2	PR-HF1202AT0049	1	HOSE FL 1/2 2AT 1650 703 753
3	PR-HF5162AT0586	1	part available on request
4	PR-HF1202AT0109	1	HOSE FL 1/2 2AT 830 703 753
5	PR-HF1202AT0442	1	HOSE FL 1/2 2AT 2300 753 753
6	PR-HF5162AT0264	1	part available on request
7	PR-HF5162AT0264	1	part available on request
8	PR-HR0008	1	HYDRAULIC CONNECTION TMRJ3 / 4-FJ3 / 4
9	PR-HA0020	1	BRAKE SELECTOR LT06
10	PR-HR0110	1	HYDRAULIC CONNECTION RIGHT MJ3 / 4-MI1
11	PR-HR0124	1	HYDRAULIC CONNECTION RIGHT MJ1 / 2-MI1



# C712-HAU

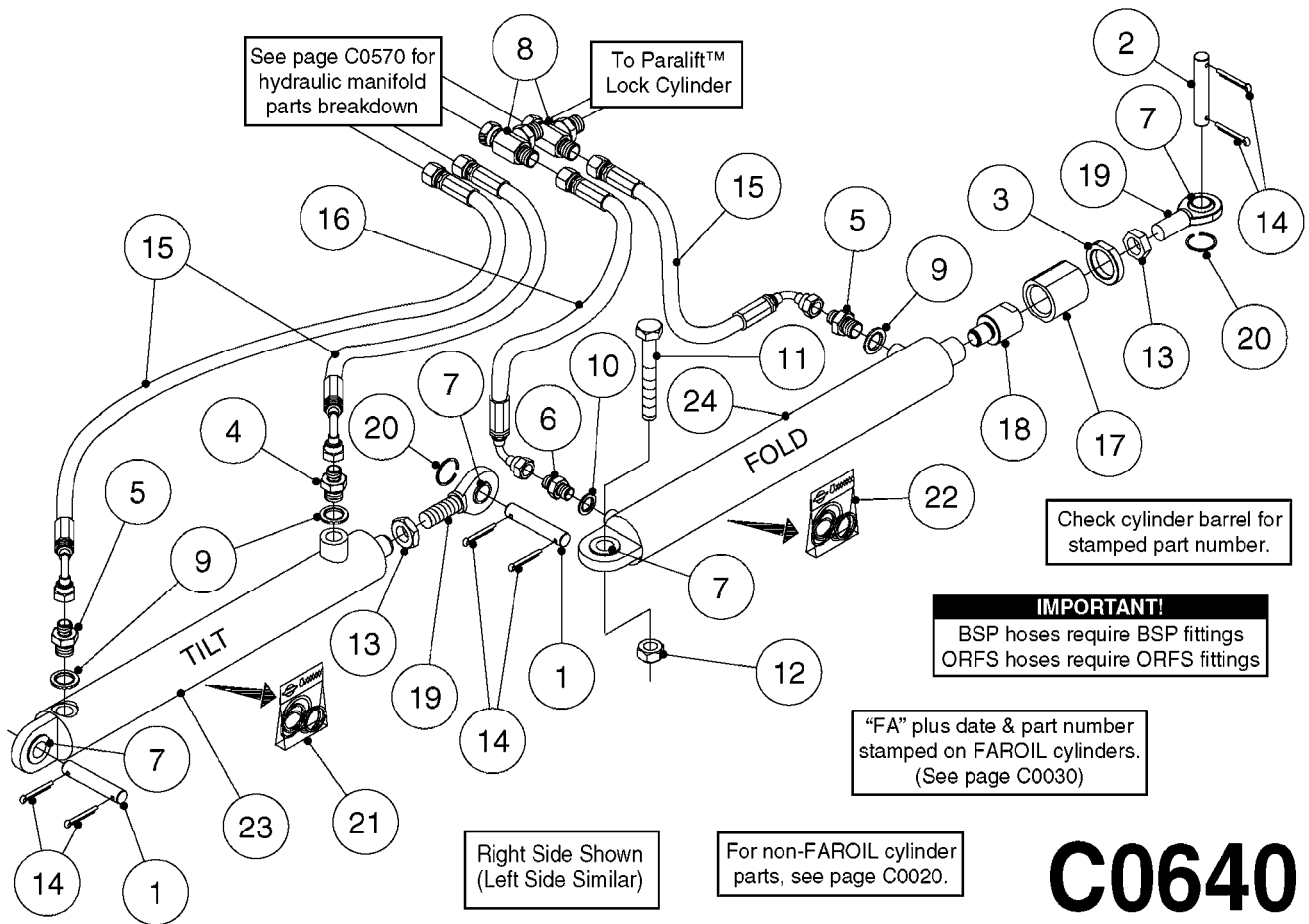




PRESIDIO HYDRAULIC TANK  
C712-HAU, 11:01:16

Page 1  
Date 12.08.2020 8:19

Pos.	parts-n°	order qty	description
13A	PR-HE0004-01	1	INDICATOR PATCH PR-HE0004
13B	PR-HE0004-02	1	COVER GASKET + FILTER RE-HE0004
13D	PR-HE0004-04	1	SEAL BETWEEN FILTER AND TANK
13E	PR-HE0004-05	1	SENSOR PROTECTION SEAL
13F	PR-HE0005	1	CARTRIDGE FOR 15 PR-HE0004
13F	PR-HE0025	1	FILTER, HYD OIL, RETURN, PR
1	PR-DB8444012	1	RING NYLON NUT M12 INOX
2	PR-FEPR32041	1	HYDRAULIC TANK PLATE PR3240 PR4240
3	PR-BH0005	1	SEAL HYD TANK. 10HB 34x4
4	PR-FEPR25042	1	REAR SUPPORT. RESERVOIR HYD.
5	PR-FEPR25039	1	MOUNTING PLATE
6	PR-EA0885	1	THERMOSTAT 90 ° C / NO M 22X 150
7	PR-HR9986	1	BM CYL CAP 1 "
8	PR-HR1016	1	HYDRAULIC CONNECTION ELBOW MJ15/8-MG1
9	PR-HR9992	1	BM CYL CAP 1/2 "
10	PR-HR0136	1	HYDRAULIC CONNECTION ELBOW MJ15/16-MG1
11	PR-HA0068	1	POWER GAUGE 127MM M12
12	PR-FTVI0007	1	OIL LEVEL GAUGE
13	PR-HE0004	1	RETURN FILTER COMP ASPI. PAR 20
14	PR-HR9993	1	CAP BM CO1 / 8 HEADLESS "
15	PR-HR0093	1	HEX NIPPLE #16JICM-#16BSPPM
16	PR-HR1016	1	HYDRAULIC CONNECTION ELBOW MJ15/8-MG1
17	PR-HR0136	1	HYDRAULIC CONNECTION ELBOW MJ15/16-MG1
18	PR-HR0047	1	HYDRAULIC CONNECTION ELBOW MJ3 / 4-MG1
19	PR-HR0013	1	HYDRAULIC CONNECTION RIGHT MJ3 / 4-MG1
20	PR-HR9988	1	BM CYL CAP 1 1/4 "
21	PR-HR2016	1	COUPLER CCM1 / 2 "
22	PR-HR2018	1	BPCM PLUG 1/2 ""
23	PR-HT0022	1	HOSE 1/2 DIAM 12.7/20 for GO "
24	PR-DC0039	1	CLAMP BC 9 DIAM 12-20 SS
25	PR-HA0033	1	BREATHER PLUG PR3240 PR4240
26	PR-HR0208	1	HYDRAULIC CONNECTION RIGHT MJ3 / 4-FG1
27	PR-HR0753	1	RIGHT END CS FJ3 1 3/4 "
28	PR-FEPR25055	1	PLATE ON HYDRAULIC TANK
29	PR-FEPR25056	1	SUPPORT BRACKET PLATE HYD.
30	PR-FEPR25054	1	COVER GAUGE HYDRAULIC TANK

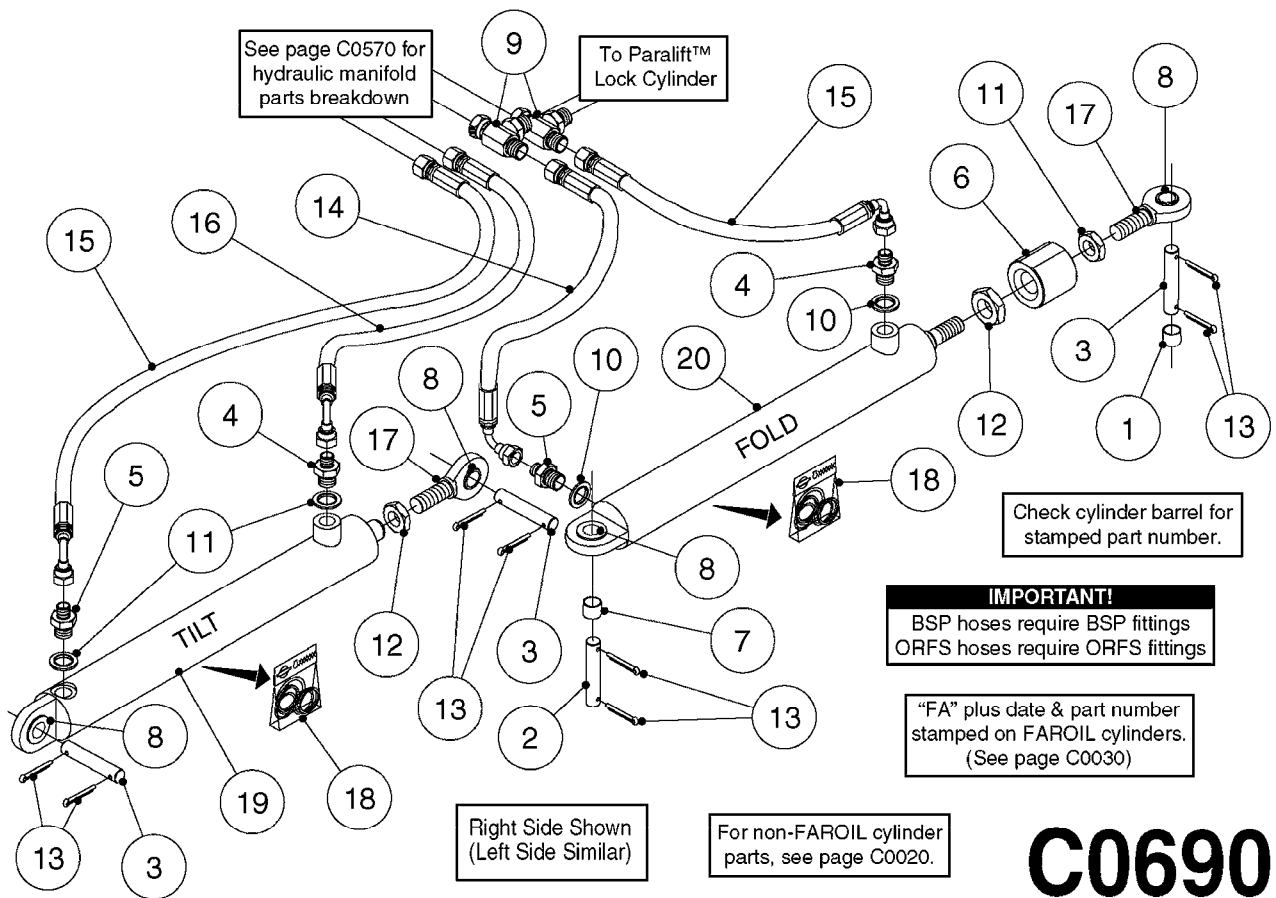




HYD EAGLE HZ SPC 80'-100'  
C0640-HIN, 22:08:17

Page 1  
Date 12.08.2020 8:19

Pos.	parts-n°	order qty	description
1	146450	1	PIN D19.8 X 75 WITH 2 X D5
2	146589	1	PIN D19.8 X 65
3	146672	1	NUT HEX LOCK F.ADJUSTER
4	146835	1	HEX NIPPLE 1/4" - 3/8" BSP
4	23235700	1	HEX NIPPLE 3/8"-9/16" ORFS
5	146839	1	HEX NIPPLE 1/4"X3/8" BSP 0.7MM BSP
5	23235800	1	HEX NIPPLE 3/8"-9/16" - 0.7mm ORFS
6	146845	1	HEX NIPPLE 1/4"X1/4" BSP
6	23234500	1	HEX NIPPLE 1/4" - 9/16" ORFS
7	210730	1	BEARING F.LINK HEAD M20
8	232109	1	FITT.HY TEE 1/4"BSP UNION BSP
8	23241000	1	TEE 9/16"M-9/16"M-9/16"F ORFS ORFS
9	240866	1	DOWTYSEAL 3/8"
10	241404	1	DOWTY SEAL 1/4"
11	430910	1	BOLT HEX 8.8 DEL M20X110
12	460806	1	NUT HEX M20X2.50 LOCK DIN985A2 SS
13	461200	1	NUT HEX M20X1.5 JAMB.
14	480384	1	PIN COTTER 3/16 x 1-1/2"
15	784008	1	HOSE HY X 1/4" X 98.4"STR+ELB BSP
15	78500800	1	HY.HO.1/4"L= 2500 STR-90° ORFS
16	784025	1	HOSE HY X 1/4" x 86.6"STR+ELB BSP
16	78502100	1	HY.HO.1/4"L= 2200 STR-90° ORFS
17	14023000	1	BUSHING Ø50.0/36.0 L=52 DEL
18	14031800	1	ADAPTOR F.HY CYLINDER L=40
19	21092000	1	LINK HEAD M20 x D20 L=78 DELTA
20	48000603	1	SNAP RING, Ø36X1.5 F.210730
21	75074400	1	SEAL KIT 78121800/21/44
22	75074600	1	SEAL KIT 78120500/49
23	78122100	1	CYLINDER DOUBLE D50/25-298
24	78128000	1	CYLINDER DOUB. D60/30 L=300 09



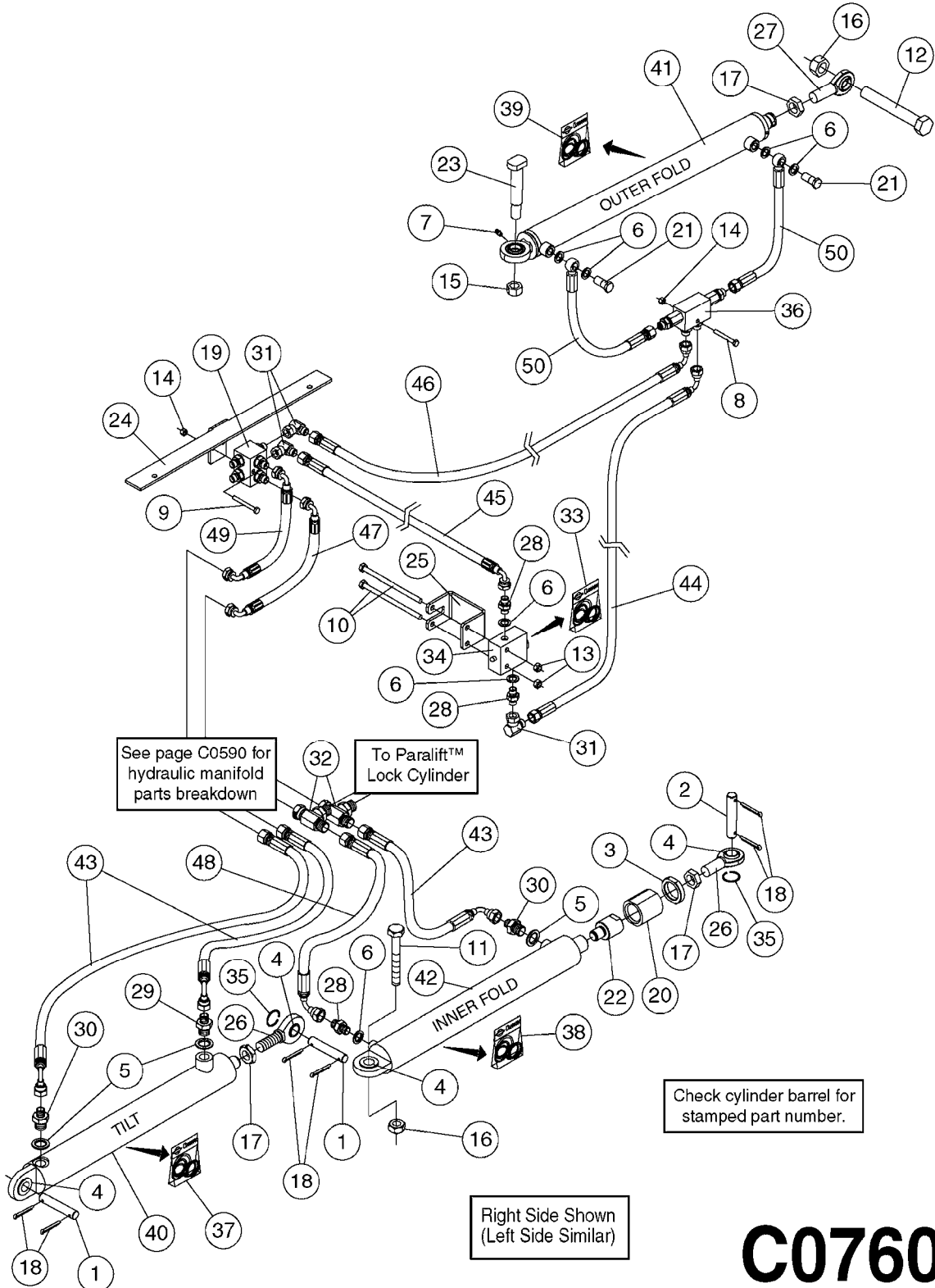


HYD EAGLE HZ SPB 45'-66'  
C0690-HIN, 09:01:18

Page 1

Date 12.08.2020 8:19

Pos.	parts-n°	order qty	description
1	145912	1	BUSHING D19.8/D17.0X7MM
2	146324	1	SHAFT D16.8 L102/2 X 5
3	146587	1	PIN D16.8 X 65
4	146835	1	HEX NIPPLE 1/4" - 3/8" BSP
4	23235700	1	HEX NIPPLE 3/8"-9/16" ORFS
5	146839	1	HEX NIPPLE 1/4"X3/8" BSP 0.7MM BSP
5	23235800	1	HEX NIPPLE 3/8"-9/16" - 0.7mm ORFS
6	146992	1	BUSHING F.CYLINDER
7	151872	1	BUSHING D22.0/18.0 10MM
8	210728	1	BEARING F.LINK HEAD M17
9	232109	1	FITT.HY TEE 1/4"BSP UNION BSP
9	23241000	1	TEE 9/16"M-9/16"M-9/16"F ORFS ORFS
10	240866	1	DOWTYSEAL 3/8"
11	461198	1	NUT HEX M16X2 JAMB
12	461249	1	NUT M22X1.5 DIN439B
13	480384	1	PIN COTTER 3/16 x 1-1/2"
14	784001	1	HOSE HY X 1/4 X 067.00"STR+ELB BSP
14	78500200	1	HY.HO.1/4"L= 1700 STR-90° ORFS
15	784019	1	HOSE HY X 1/4 X 078.75"STR+ELB BSP
15	78501500	1	HY.HO.1/4"L= 2000 STR-90° ORFS
16	784025	1	HOSE HY X 1/4" x 86.6"STR+ELB BSP
16	78502100	1	HY.HO.1/4"L= 2200 STR-90° ORFS
17	21091900	1	LINK HEAD M16 x D17 DELTA
18	75075000	1	SEAL KIT 78122600/27/28/29
19	78122700	1	CYLINDER D40/22X300MM RED
20	78122900	1	CYLINDER 40/22X300MM RED

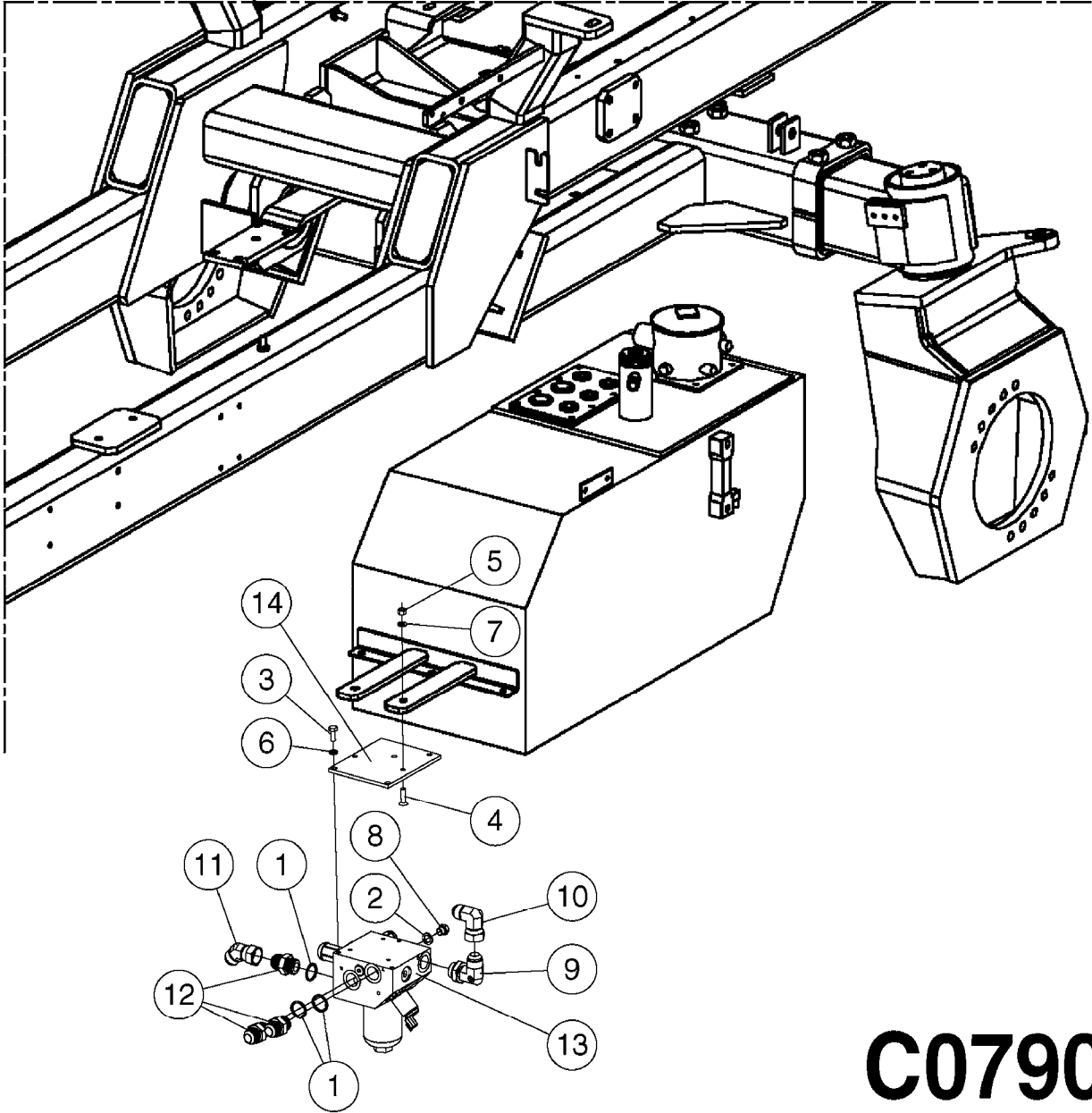




HYD EAG. HZ SPC 90/60'DUALFOLD  
C0760-HIN, 11:10:17

Page 1  
Date 12.08.2020 8:19

Pos.	parts-n°	order qty	description
1	146450	1	PIN D19.8 X 75 WITH 2 X D5
2	146589	1	PIN D19.8 X 65
3	146672	1	NUT HEX LOCK F.ADJUSTER
4	210730	1	BEARING F.LINK HEAD M20
5	240866	1	DOWTYSEAL 3/8"
6	241404	1	DOWTY SEAL 1/4"
7	283699	1	GREASE NIPPLE M6X1
8	410561	1	BOLT HEX 8.8 DEL M6X50 FT
9	411008	1	BOLT HEX 8.8 DEL M6X55
10	420987	1	BOLT HEX 8.8 SS M8X140
11	430910	1	BOLT HEX 8.8 DEL M20X110
12	430979	1	BOLT HEX M20x140 8.8 DELTA
13	460143	1	LOCK NUT M8 SST A2 DIN985
14	460261	1	NUT HEX M6X1.00 LOCK DIN985 A2 SS
15	460585	1	LOCKING NUT M16 DIN985 A2 SS
16	460806	1	NUT HEX M20X2.50 LOCK DIN985A2 SS
17	461200	1	NUT HEX M20X1.5 JAMB.
18	480384	1	PIN COTTER 3/16 x 1-1/2"
19	731941	1	HYD. BLOCK MANIFOLD
20	14023000	1	BUSHING Ø50.0/36.0 L=52 DEL
21	14027000	1	BANJO BOLT, 1/4" BSP, 0.7MM
22	14031800	1	ADAPTOR F.HY CYLINDER L=40
23	14107700	1	PIN, Ø19.8 F. 90/60 CYLINDER
24	16158003	1	PLATE, 3/16", 375 X 119, FOLDED
25	16349600	1	BRACKET, END-STOP VALVE, 90/60
26	21092000	1	LINK HEAD M20 x D20 L=78 DELTA
27	21092100	1	LINK HEAD M20 x D20 L=73, DELTA
28	23234500	1	HEX NIPPLE 1/4" - 9/16"
29	23235700	1	HEX NIPPLE 3/8"-9/16"
30	23235800	1	HEX NIPPLE 3/8"-9/16" - 0.7mm
31	23240900	1	HYD.FIT. M-F 90° 9/16"-9/16"
32	23241000	1	TEE 9/16"M-9/16"M-9/16"F ORFS
33	28001800	1	REPAIR KIT F.ENDSTOP 1/4"
34	28028600	1	END STOP 1/4"
35	48000603	1	SNAP RING, Ø36X1.5 F.210730
36	72256500	1	DOUB.PILOT STEERED COUNT.VALVE
37	75074400	1	SEAL KIT 78121800/21/44
38	75074600	1	SEAL KIT 78120500/49
39	75084400	1	SEAL KIT FOR 78127200/7500
40	78122100	1	CYLINDER DOUBLE D50/25-298
41	78127200	1	CYLINDER DOUB. D40/25 L=455
42	78128000	1	CYLINDER DOUB. D60/30 L=300 09
43	78500800	1	HY.HO.1/4"L= 2500 STR-90°
44	78501703	1	HY.HO.1/4"L= 2586 STR-90°
45	78501803	1	HY.HO.1/4"L= 7879 STR-90°
46	78501903	1	HY.HO.1/4"L= 9849 STR-90°
47	78502003	1	HY.HO.1/4"L= 250 90°-90°A=0
48	78502100	1	HY.HO.1/4"L= 2200 STR-90°
49	78502103	1	HY.HO.1/4"L= 206 90°-90°A=0
50	78502203	1	HY.HO.1/4"L= 250 STR-BAN



**C0790**



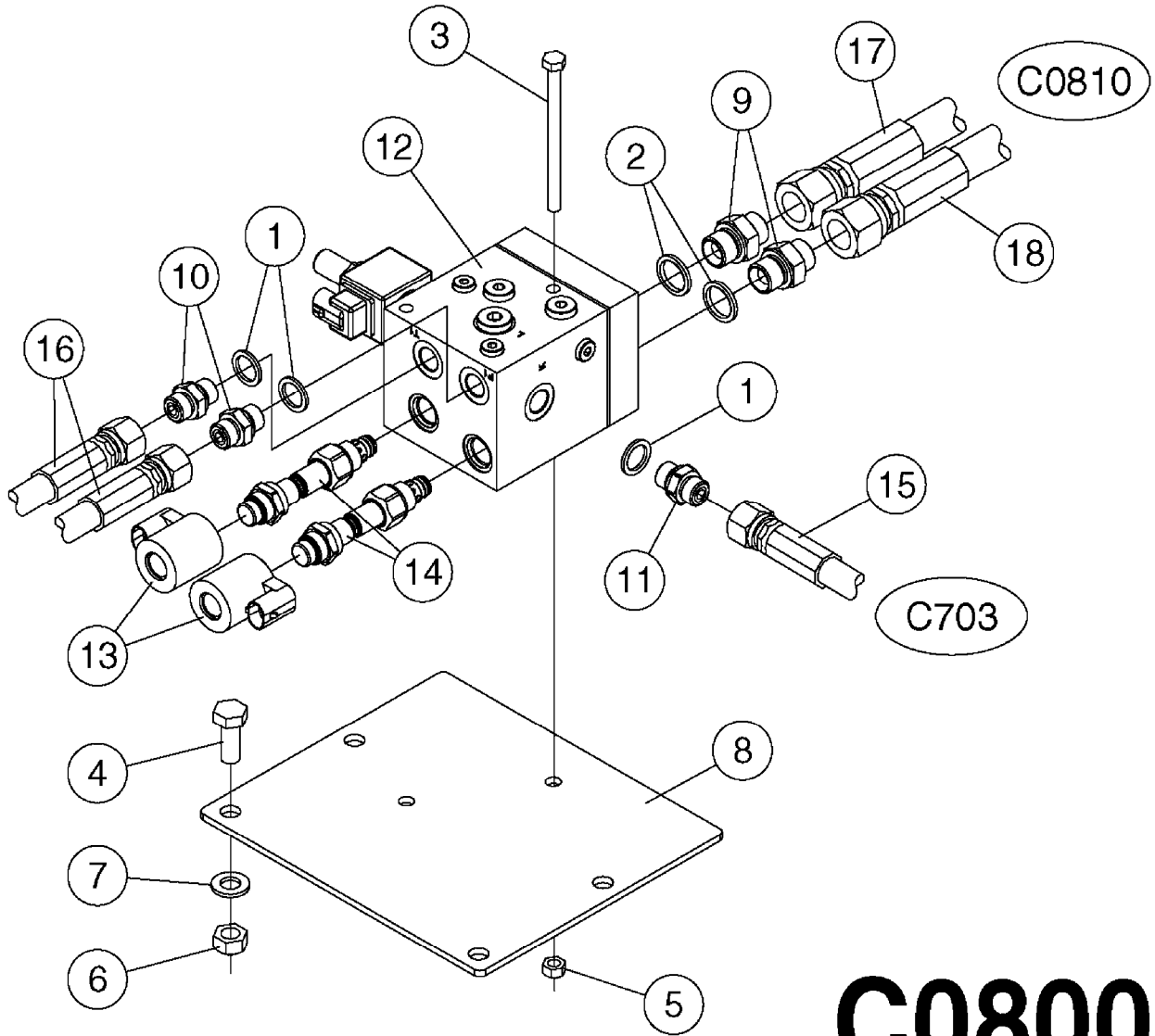


HYD. FLOW REG. BLOCK PRESIDIO  
C0790-HIN, 27:07:16

Page 1

Date 12.08.2020 8:19

Pos.	parts-n°	order qty	description
1	241367	1	DOWTYSEAL 28.5x22
2	241404	1	DOWTY SEAL 1/4"
3	420582	1	BOLT HEX 8.8 DEL M8X20 FT A2
4	458032	1	BOLT M8X30 8.8 DIN7991D SS
5	460143	1	LOCK NUT M8 SST A2 DIN985
6	470407	1	WASHER D14.8D8.1X2 LOCK SS
7	471126	1	WASHER, M8, Ø16/ 8.4X 1.6, SS
8	14010400	1	PLUG 1/4" BSP
9	23006603	1	HEX NIPPLE #12JICM-#12BSPP90M ADJUST.
10	23006703	1	HEX NIPPLE #12JICM-#12JIC90F
11	23006803	1	HEX NIPPLE #12JICM-#12JIC45F
12	23006903	1	HEX NIPPLE #12JICM-#12BSPPM
13	78201601	1	HYD CONTROL FOR FLUID PUMP
14	PR-FEPR25098	1	BRACKET, HY.FLOW REG.BLOC, PRESIDIO



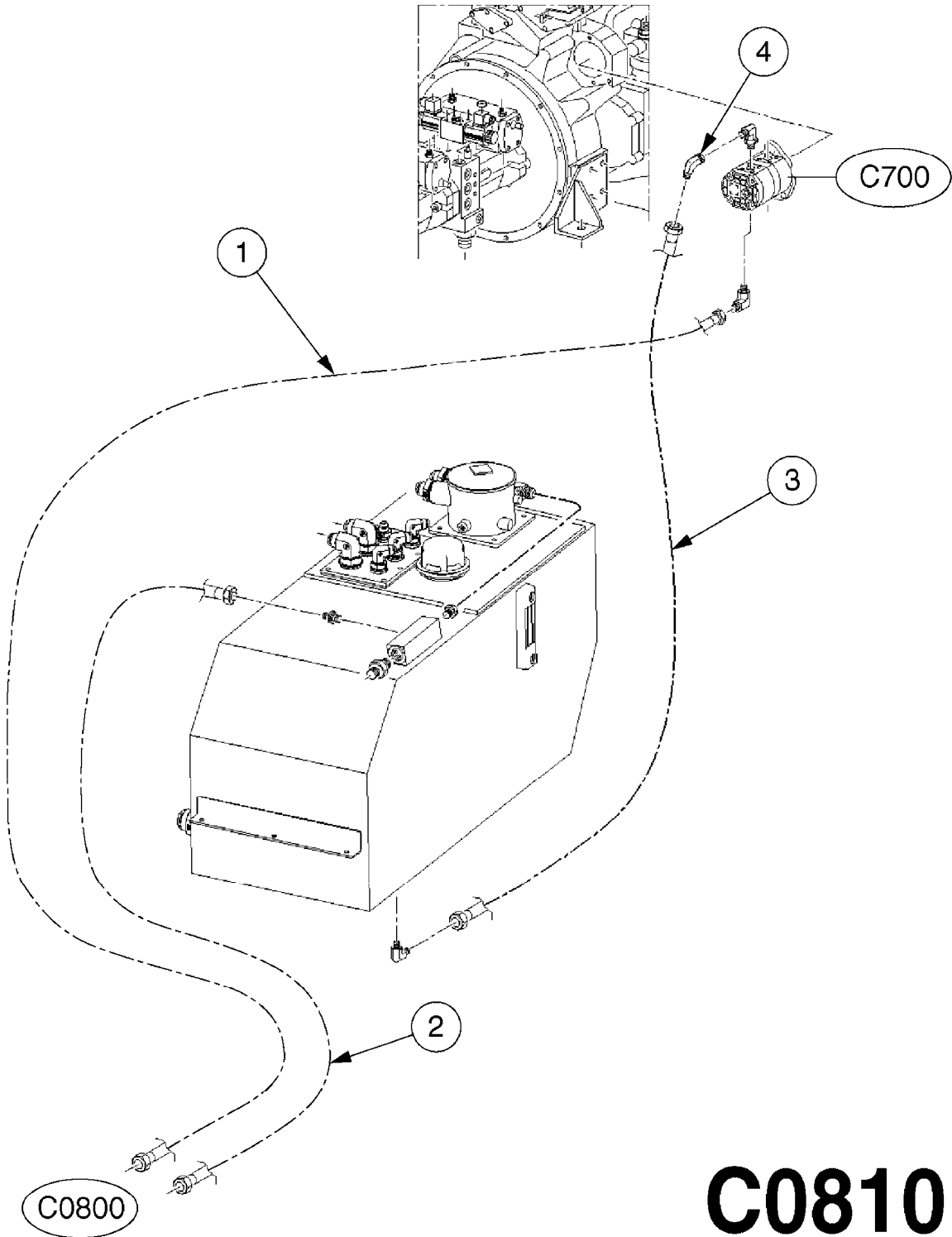
# C0800



HYD. LIFT BLOCK PRESIDIO  
C0800-HIN, 03:06:19

Page 1  
Date 12.08.2020 8:19

Pos.	parts-n°	order qty	description
1	240866	1	DOWTYSEAL 3/8"
2	241356	1	DOWTYSEAL 1/2"
3	421232	1	BOLT HEX 8.8 DEL M8X110
4	430286	1	BOLT HEX 8.8 DEL M12X30 FT
5	460143	1	LOCK NUT M8 SST A2 DIN985
6	460703	1	NUT HEX M12X1.75 LOCK DIN985A2 SS
7	471127	1	WASHER, M12, Ø24/13X24X2.5 SS
8	16169003	1	BRACKET LIFT OPEN CENTER, PR, PLATE, FLAT, 3/16"
9	23006003	1	HEX NIPPLE 1/2"-#8 MJIC
10	23234300	1	HEX NIPPLE 3/8"-11/16"
11	23234600	1	HEX NIPPLE 3/8"-11/16" - 1.8mm
12	78200103	1	FLOW/LIFT BLOCK W/RELIEF
13	78222700	1	COIL W. AMP
14	78222900	1	SOLENOID VALVE NO, SINGLE LOCK
15	78421203	1	HY.HO.3/8"L= 381 # 8JIC45F-# 6ORFSSTRF
16	78503503	1	HY.HO.3/8"L= 3000 STR-90°
17	PR-HF1202AT0629	1	HY.HO.1/2" STR-STR
18	PR-HF1202AT0630	1	HY.HO.1/2" STR-STR



**C0810**



BOOM HYD. CIRCUIT PRESIDIO  
C0810-HIN, 08:09:16

Page 1

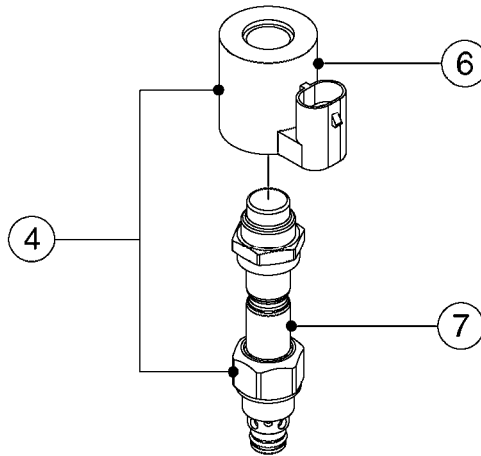
Date 12.08.2020 8:19

Pos.	parts-n°	order qty	description
1	PR-HF1202AT0629	1	HY.HO.1/2" STR-STR
2	PR-HF1202AT0630	1	HY.HO.1/2" STR-STR
3	PR-HF3402AT0190	1	HOSE FL 3/4 2AT 2350 770 771
4	PR-HR0167	1	HYDRAULIC CONNECTION ELBOW MJ11/16-FJ1

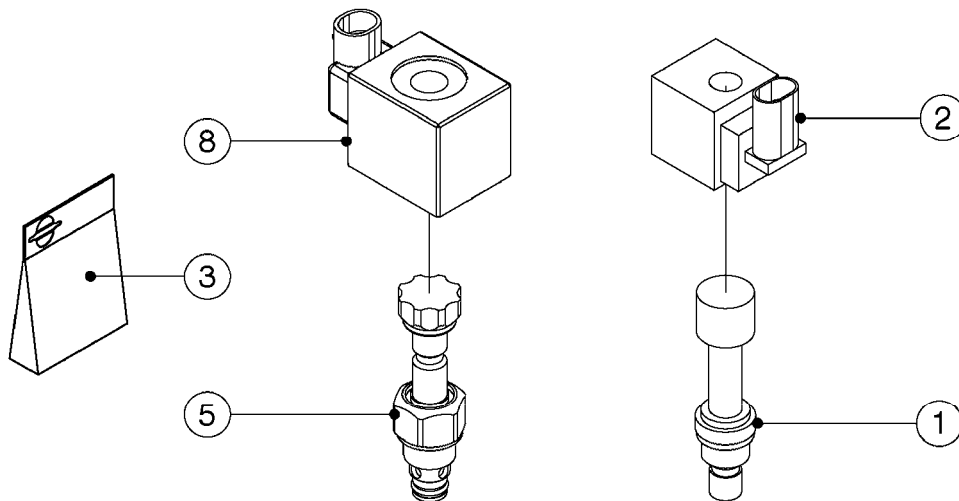


CANNOT MIX SOLENOID VALVES AND COILS  
IF IN DOUBT, ORDER COMPLETE SET (4)

CURRENT STYLE (2018)



OLD STYLES (PRE 2018)



**C0910**

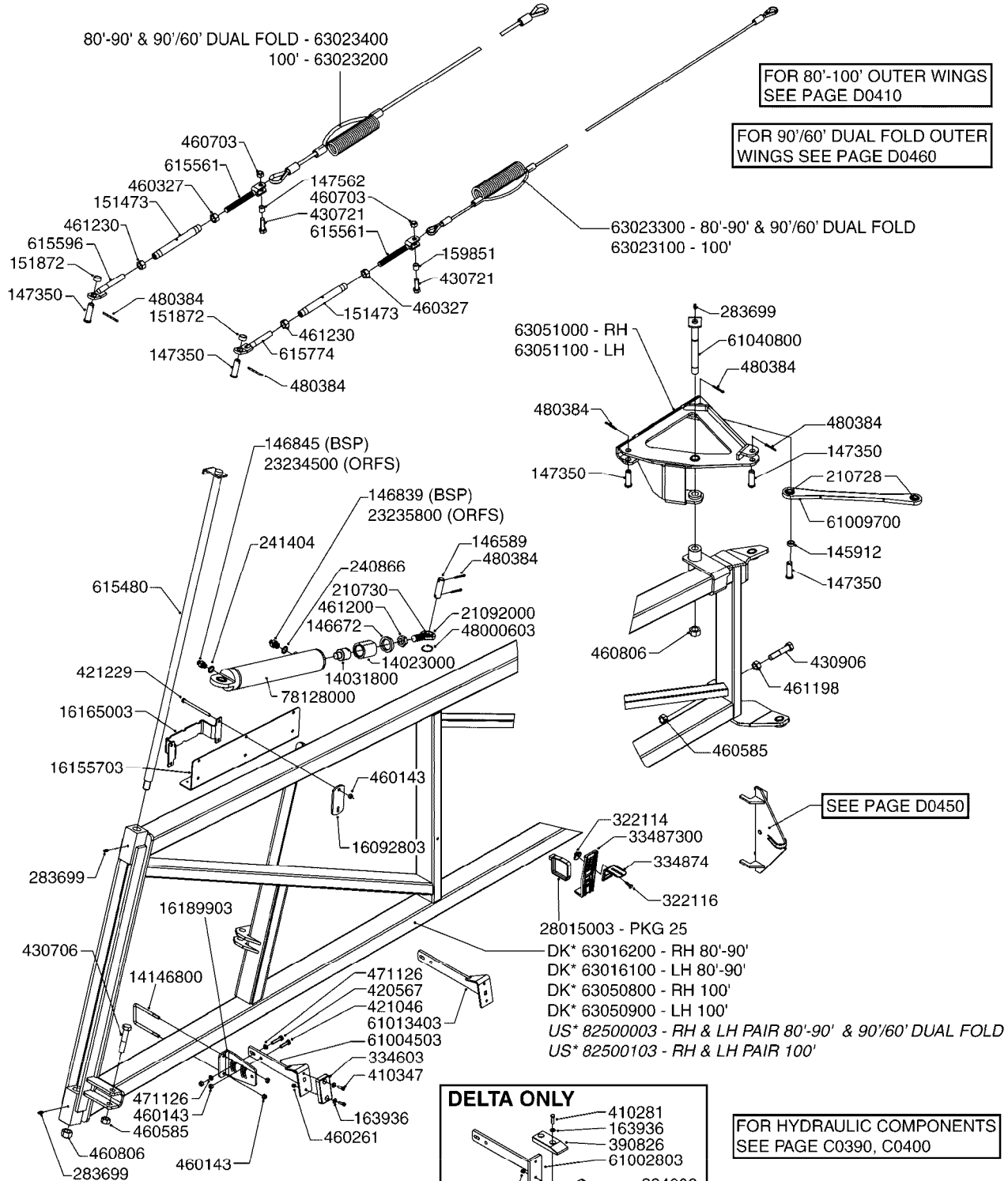


HYDRAULIC SOLENOIDS  
C0910-HIN, 13:05:19

Page 1

Date 12.08.2020 8:19

Pos.	parts-n°	order qty	description
1	782129	1	SOLENOID VALVE 25L, 3/4"NC
2	782135	1	SOLENOID W. AMP F.VALVE 782129
3	28100800	1	SEAL KIT F. 782129/78215500 PRE 2018 ONLY
4	75586600	1	SOLENOID VALVE NC, + COIL
5	78215500	1	HY SOLENOID VALVE 40L 3/4"NC
6	78222700	1	COIL W. AMP
7	78222800	1	SOLENOID VALVE NC, DOUBLE LOCK
8	78602100	1	MAGNET M.AMP/DIODE KIT 08



DK\* = DENMARK STEEL PARTS  
US\* = NORTH AMERICAN STEEL PARTS

# D0400





BOOM - SPC INNER WING 80-100'  
D0400-HIN, 05:05:20

Page 1  
Date 12.08.2020 8:19

parts-n°	order qty	description
145912	1	BUSHING D19.8/D17.0X7MM
146589	1	PIN D19.8 X 65
146672	1	NUT HEX LOCK F.ADJUSTER
146839	1	HEX NIPPLE 1/4"X3/8" BSP 0.7MM
146845	1	HEX NIPPLE 1/4"X1/4"
147350	1	PIN D16.8 L60MM
147562	1	BUSHING D19.8/17.0 L=15
151473	1	TURN BUCKLE HOUSING M16-200
151872	1	BUSHING D22.0/18.0 10MM
159851	1	BUSHING Ø16.0/13.0 L=16 DEL
163936	1	WASHER D15/D6.2X1
210728	1	BEARING F.LINK HEAD M17
210730	1	BEARING F.LINK HEAD M20
240866	1	DOWTYSEAL 3/8"
241404	1	DOWTY SEAL 1/4"
283699	1	GREASE NIPPLE M6X1
322114	1	NUT PLASTIC F.NOZZ.H
322116	1	BOLT PLASTIC F.NOZZ.H.
334603	1	RUBBER STOP 86X48X15
334874	1	NOZZLE HOLDER - TOP HALF
390826	1	SLIDE PAD F.TRANSPORT BKT.CM/D
410281	1	BOLT HEX 8.8 DEL M6X25 DIN933 A2
410347	1	SCREW M6X20 8.8
420567	1	BOLT HEX 8.8 DEL M8X30 FT
421046	1	BOLT HEX M8X25/25 A2 SS DIN933
421229	1	BOLT HEX 8.8 DEL M8x120
430706	1	BOLT HEX 8.8 ZINC CLEAR M16X90
430721	1	BOLT HEX 8.8 DEL M12X40 FT
430906	1	BOLT HEX 8.8 DEL M16X70 FT
460143	1	LOCK NUT M8 SST A2 DIN985
460261	1	NUT HEX M6X1.00 LOCK DIN985 A2 SS
460327	1	NUT HEX M16X2
460585	1	LOCKING NUT M16 DIN985 A2 SS
460703	1	NUT HEX M12X1.75 LOCK DIN985A2 SS
460806	1	NUT HEX M20X2.50 LOCK DIN985A2 SS
461198	1	NUT HEX M16X2 JAMB
461200	1	NUT HEX M20X1.5 JAMB.
461230	1	NUT HEX M16X2 LH THREAD
471126	1	WASHER, M8, Ø16/ 8.4X 1.6, SS
480384	1	PIN COTTER 3/16 x 1-1/2"
615480	1	PIN F.HINGE ASSY.
615561	1	CLEVIS F.TURNBUCKLE M16 RH
615596	1	TURN BUCKLE ANCHOR M16 LH
615774	1	ANCHOR LH F.M16 TURNBUCKLE
14023000	1	BUSHING Ø50.0/36.0 L=52 DEL
14031800	1	ADAPTOR F.HY CYLINDER L=40
14146800	1	U-BOLT M8 F. 80x60
16092803	1	PLATE F. TRANSPORT CM+
16155703	1	BRKT, 6 INLINE FILTERS
16165003	1	BRKT, SPC T25 FEED HOSE TIE-DOWN
16189903	1	PLATE F, EAGLE STOPARM
21092000	1	LINK HEAD M20 x D20 L=78 DELTA
23234500	1	HEX NIPPLE 1/4" - 9/16"
23235800	1	HEX NIPPLE 3/8"-9/16" - 0.7mm
28015003	1	PANDUIT TIE STRAP, PKG. 25
33487300	1	NOZZLE HOLDER - BOTTOM HALF
48000603	1	SNAP RING, Ø36X1.5 F.210730
61002803	1	TRANSPORT STOP DELTA-SPC
61004503	1	BOOM STOP SPB/SPC
61009700	1	FOLDING ARM / SPC
61013403	1	BOOM STOP LONG SPC



BOOM - SPC INNER WING 80-100'  
D0400-HIN, 05:05:20

Page 2

Date 12.08.2020 8:19

parts-n°	order qty	description
61040800	1	PIN THREADED D20 L=205 DELTA
63016100	1	WING INNER 80'-90'LH SPC 2007
63016200	1	WING INNER 80'-90'RH SPC 2007
63023100	1	CABLE Ø7 X 5280 / SPC REAR
63023200	1	CABLE Ø10 X 5180 / SPC FRONT
63023300	1	CABLE Ø7 X 4780 / SPC REAR
63023400	1	CABLE Ø10 X 4650 / SPC FRONT
63050800	1	WING INNER RH 100' SPC 05
63050900	1	WING INNER LH 100' SPC 05
63051000	1	FOLD MECHANISM R.H. SPC 05
63051100	1	FOLD MECHANISM L.H. SPC 05
78128000	1	CYLINDER DOUB. D60/30 L=300 09
82500003	1	WING INNER SET FPS SPC 80-90'
82500103	1	WING INNER SET FPS SPC 100'



BOOM - SPC OUTER WING 80-100'  
D0410-HIN, 06:05:20

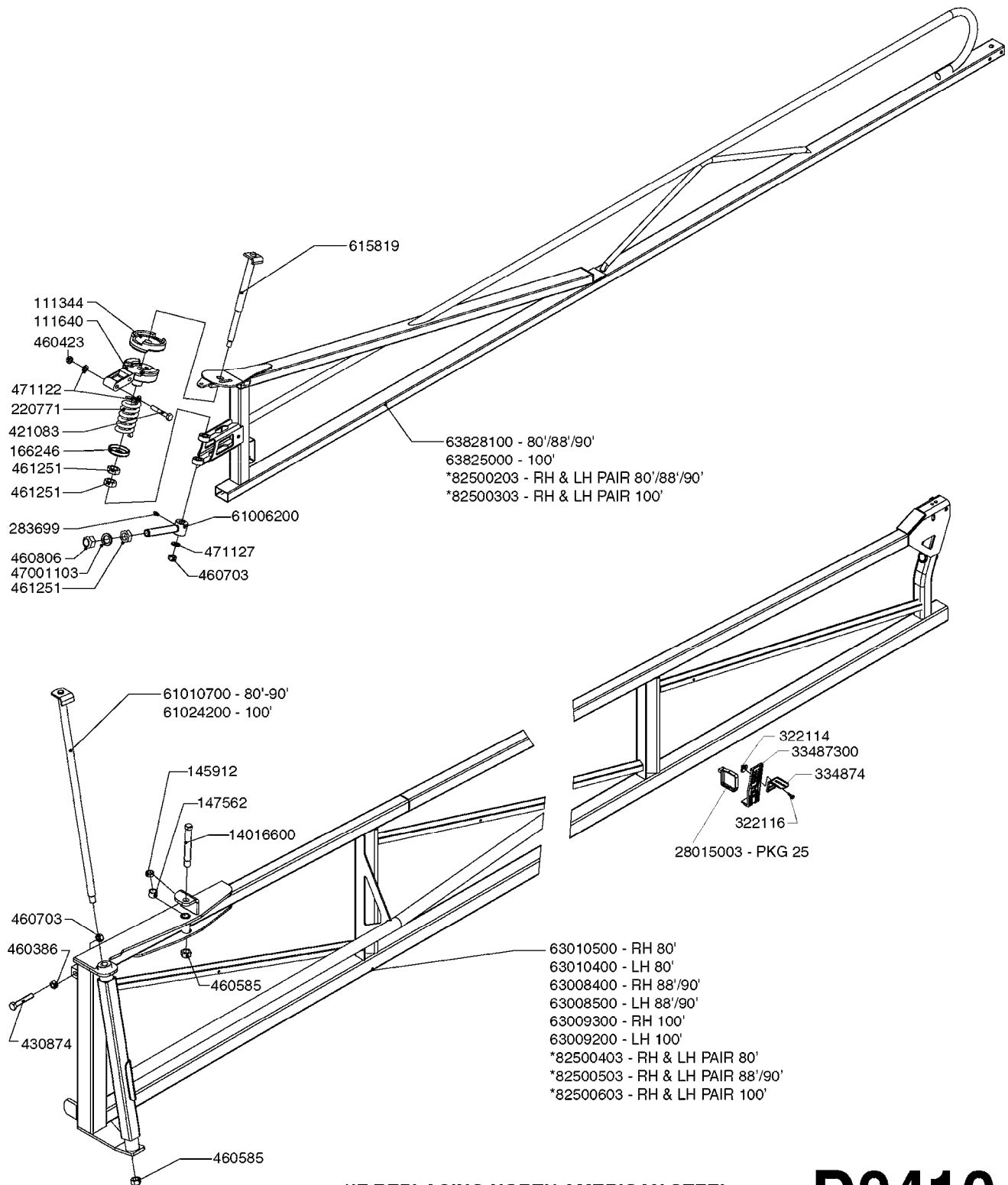
Page

0

Date

12.08.2020

8:19



**\*IF REPLACING NORTH AMERICAN STEEL PARTS, MUST REPLACE BOTH SIDES**

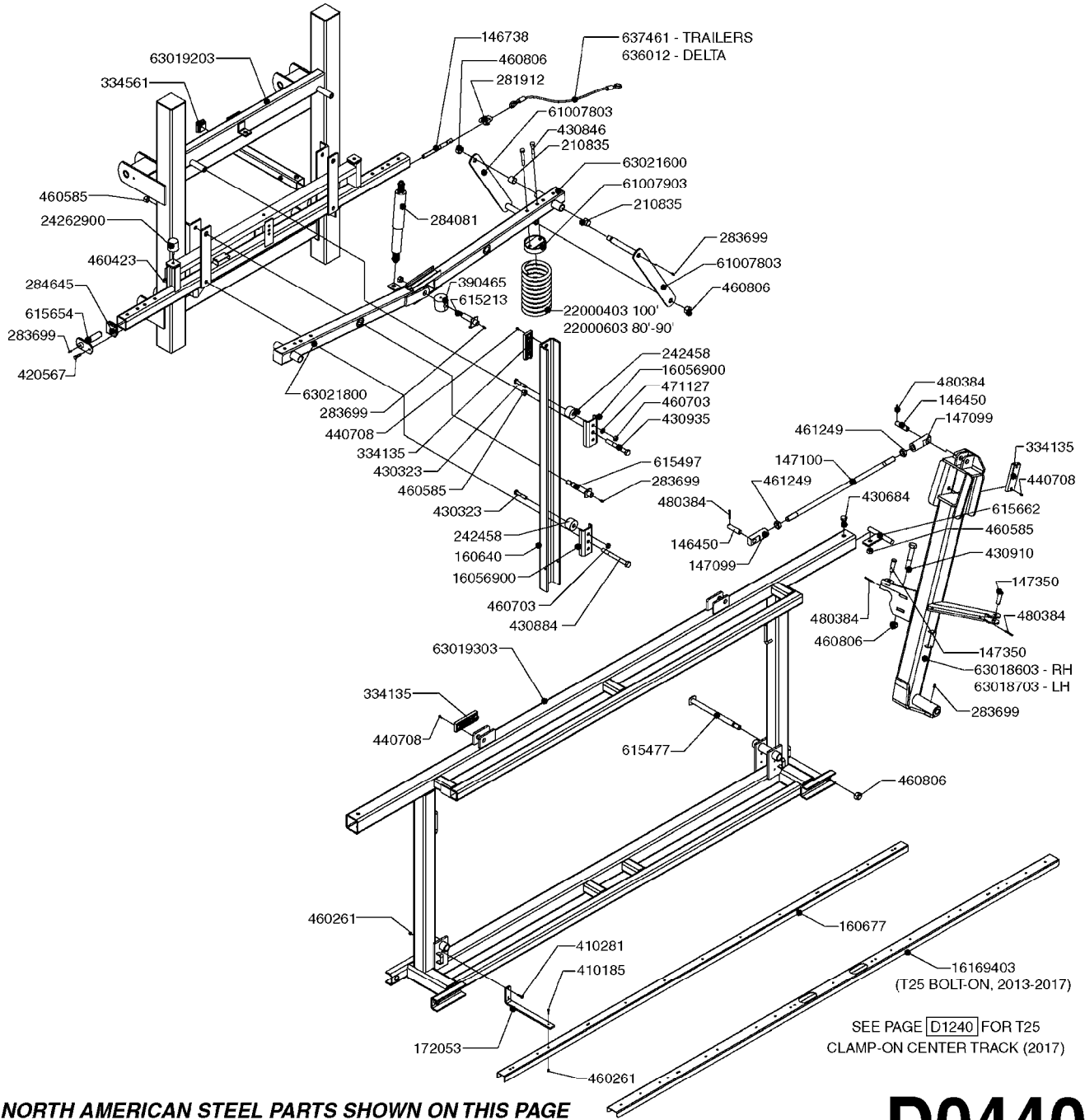
# D0410



BOOM - SPC OUTER WING 80-100'  
D0410-HIN, 06:05:20

Page 1  
Date 12.08.2020 8:19

parts-n°	order qty	description
111344	1	CLAW CLUTCH Ø100/Ø20,5 UNDER PART RED
111640	1	CLAW CLUTCH Ø100 TOP PART RED
145912	1	BUSHING D19.8/D17.0X7MM
147562	1	BUSHING D19.8/17.0 L=15
166246	1	WASHER CUP D53 F.SPRING
220771	1	SPRING D53/D43X100
283699	1	GREASE NIPPLE M6X1
322114	1	NUT PLASTIC F.NOZZ.H
322116	1	BOLT PLASTIC F.NOZZ.H.
334874	1	NOZZLE HOLDER - TOP HALF
421083	1	BOLT HEX 8.8 DEL M10X65
430874	1	SCREW SET 8.8 DEL M12X70 FT
460386	1	NUT HEX M12X1.75
460423	1	NUT HEX M10X1.50 LOCK DIN985A2 SS
460585	1	LOCKING NUT M16 DIN985 A2 SS
460703	1	NUT HEX M12X1.75 LOCK DIN985A2 SS
460806	1	NUT HEX M20X2.50 LOCK DIN985A2 SS
461251	1	NUT HEX M20 X 2.5 JAMB
471122	1	WASHER, M10, Ø20/10.5X 2.0, SS
471127	1	WASHER, M12, Ø24/13X24X2.5 SS
615819	1	PIN
14016600	1	PIN F. LINK ARM / SPC
28015003	1	PANDUIT TIE STRAP, PKG. 25
33487300	1	NOZZLE HOLDER - BOTTOM HALF
47001103	1	WASHER D20.5/D33X4 LOCK
61006200	1	ADJ. ARM F.BREAKAWAY FTZ
61010700	1	PIN F.HINGE 80-90'/SPC L=664
61024200	1	PIN F. PIVOT HINGE 100'/SPC
63008400	1	OUTERWING 90' RH / SPC
63008500	1	OUTERWING 90' LH / SPC
63009200	1	OUTERWING 100' LH / SPC
63009300	1	OUTERWING 100' RH / SPC
63010400	1	OUTERWING 80' LH / SPC
63010500	1	OUTERWING 80' RH / SPC
63828100	1	BREAKAWAY FTZ/SPC 2.5M, RED
63825000	1	BREAKAWAY FTZ/SPC 3.0M, RED
82500203	1	BREAKAWAY SET FPS SPC/FTZ 2.5M
82500303	1	BREAKAWAY SET FPS SPC/FTZ 3M
82500403	1	WING OUTER SET FPS 80' SPC
82500503	1	WING OUTER SET FPS 88-90' SPC
82500603	1	WING OUTER SET FPS 100' SPC



SEE PAGE [D1240](#) FOR T25  
CLAMP-ON CENTER TRACK (2017)

**NORTH AMERICAN STEEL PARTS SHOWN ON THIS PAGE  
FOR DENMARK STEEL PARTS, SEE PAGE D0390**

# D0440



BOOM SPC PARAL.CTR.80-100' US  
D0440-HIN, 26:09:19

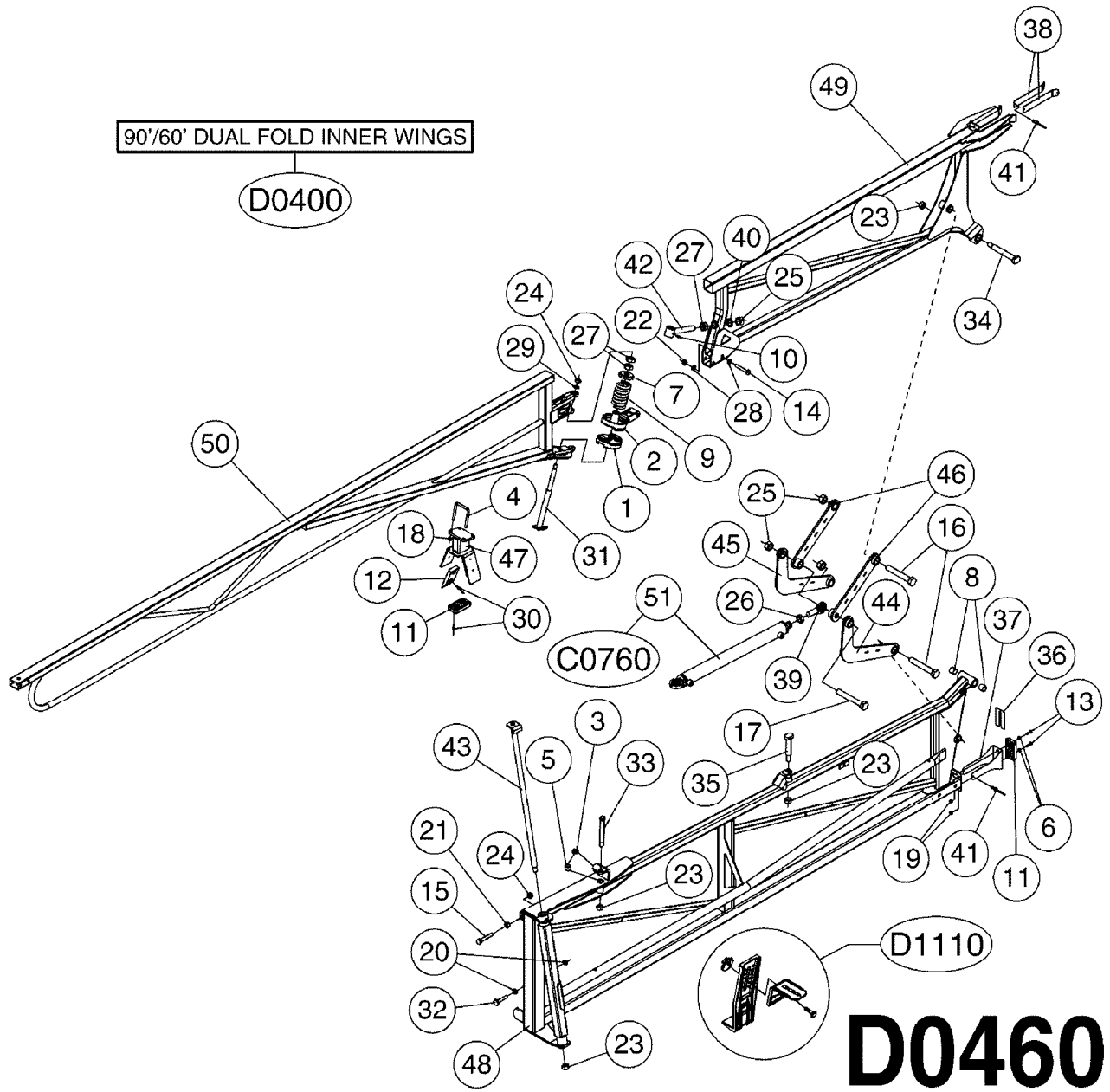
Page 1  
Date 12.08.2020 8:19

parts-n°	order qty	description
146450	1	PIN D19.8 X 75 WITH 2 X D5
146738	1	PIN FOR CENTER CABLE EAGLE
147099	1	CLEVIS F.TILT ARM
147100	1	ROD F.TILT 80/90'
147350	1	PIN D16.8 L60MM
160640	1	U CHANNEL 80/90'
160677	1	NOZZLE TRACK 80/90'
172053	1	NOZZLE TRACK HOLDER
210835	1	BUSHING D28/25 L=25
242458	1	BUSHING RUBBER DAMPER SPC EAG.
281912	1	SHACKLE M-10
283699	1	GREASE NIPPLE M6X1
284081	1	SHOCK ABSORBER 150 1121
284645	1	PLUG 60x60x2
334135	1	SLIDE SHOE 140X45X15
334561	1	PLUG 50x50x2 F.SQ.TUBE
390465	1	JOINER BLOCK TRAPEEZE EAGLE
410185	1	BOLT HEX 8.8 DEL M6X16
410281	1	BOLT HEX 8.8 DEL M6X25 DIN933 A2
420567	1	BOLT HEX 8.8 DEL M8X30 FT
430323	1	BOLT HEX 8.8 DEL M12X60
430684	1	BOLT HEX 8.8 DEL M16X30 FT
430846	1	BOLT HEX 8.8 DEL M12X80
430884	1	BOLT HEX 8.8 DEL M16X160
430910	1	BOLT HEX 8.8 DEL M20X110
430935	1	BOLT HM16-130/44 8.8 DAC DIN931
440708	1	SCREW M5.5X16 SELF TAPPING SS
460261	1	NUT HEX M6X1.00 LOCK DIN985 A2 SS
460423	1	NUT HEX M10X1.50 LOCK DIN985A2 SS
460585	1	LOCKING NUT M16 DIN985 A2 SS
460703	1	NUT HEX M12X1.75 LOCK DIN985A2 SS
460806	1	NUT HEX M20X2.50 LOCK DIN985A2 SS
461249	1	NUT M22X1.5 DIN439B
471127	1	WASHER, M12, Ø24/13X24X2.5 SS
480384	1	PIN COTTER 3/16 x 1-1/2"
615213	1	PIN D22 X 70 LUBED F.EAGLE
615477	1	PIN F.HINGE 80/90'
615497	1	PIN D22 X 159 LUBED F.EAGLE
615654	1	PIN D25 X 123 F. PARALIFT
615662	1	SAFETY BAR F. TILT 80-90'
636012	1	CABLE,CENTER 80/90 7mm X 870mm
637461	1	CABLE CENTER 80/90' 7mm x935mm
16056900	1	PLATE SPC EAGLE 80-100
16169403	1	CENTER TRACK, SPC, 75-90' T25
22000403	1	SPRING SPC 100' CENTER SECTION
22000603	1	SPRING, COIL, SPC 80-90', RED
24262900	1	RUBBER STOP D50X40 M10X33
61007803	1	TRAPEZE BAR SPC CENTER
61007903	1	SPRING BASE SPC CENTER
63018603	1	HINGE 80'-100' RH / SPC
63018703	1	HINGE 80'-100' LH / SPC
63019203	1	PARA-LIFT LIFT CENTER SPC
63019303	1	CENTER FRAME SPC
63021600	1	SUSPENSION ARM SPC 80-100
63021800	1	SUSPENSION ARM SPC 80-100



BOOM SPC OUTER 90/60' DUALFOLD  
D0460-HIN, 28:04:20

Page 0  
Date 12.08.2020 8:19



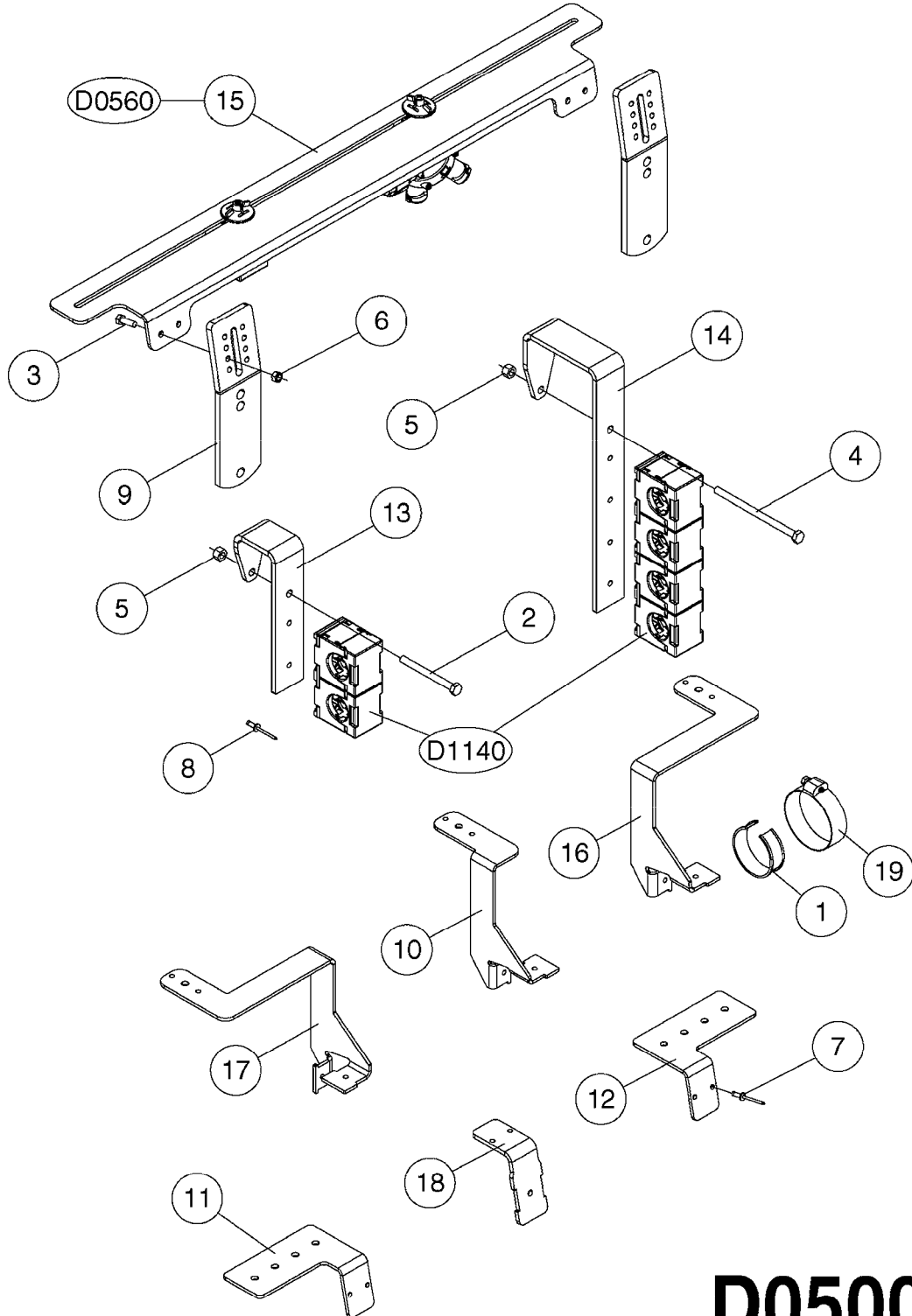


BOOM SPC OUTER 90/60' DUALFOLD  
D0460-HIN, 28:04:20

Page 1  
Date 12.08.2020 8:19

Pos.	parts-n°	order qty	description
1	111344	1	CLAW CLUTCH Ø100/Ø20,5 UNDER PART RED
2	111640	1	CLAW CLUTCH Ø100 TOP PART RED
3	145912	1	BUSHING D19.8/D17.0X7MM
4	146629	1	BOLT U M8 F. 60 X 40
5	147562	1	BUSHING D19.8/17.0 L=15
6	163936	1	WASHER D15/D6.2X1
7	166246	1	WASHER CUP D53 F.SPRING
8	210859	1	BUSH Ø23X20 L20
9	220771	1	SPRING D53/D43X100
10	283699	1	GREASE NIPPLE M6X1
11	334603	1	RUBBER STOP 86X48X15
12	390826	1	SLIDE PAD F.TRANSPORT BKT.CM/D
13	410362	1	BOLT HEX 8.8 SS M6X20
14	421083	1	BOLT HEX 8.8 DEL M10X65
15	430874	1	SCREW SET 8.8 DEL M12X70 FT
16	430888	1	BOLT HEX 8.8 DEL M20X130
17	430979	1	BOLT HEX M20x140 8.8 DELTA
18	460143	1	LOCK NUT M8 SST A2 DIN985
19	460261	1	NUT HEX M6X1.00 LOCK DIN985 A2 SS
20	460342	1	NUT HEX M10 DEL DIN934
21	460386	1	NUT HEX M12X1.75
22	460423	1	NUT HEX M10X1.50 LOCK DIN985A2 SS
23	460585	1	LOCKING NUT M16 DIN985 A2 SS
24	460703	1	NUT HEX M12X1.75 LOCK DIN985A2 SS
25	460806	1	NUT HEX M20X2.50 LOCK DIN985A2 SS
26	461200	1	NUT HEX M20X1.5 JAMB.
27	461251	1	NUT HEX M20 X 2.5 JAMB
28	471122	1	WASHER, M10, Ø20/10.5X 2.0, SS
29	471127	1	WASHER, M12, Ø24/13X24X2.5 SS
30	480804	1	RIVET Ø4.8x14.5
31	615819	1	PIN
32	14011800	1	BOLT HEX DEL M10X60 SPECIAL
33	14016600	1	PIN F. LINK ARM / SPC
34	14107600	1	PIN, Ø20 F. 90/60 FOLD
35	14107700	1	PIN, Ø19.8 F. 90/60 CYLINDER
36	16329900	1	SHIM, SS, LEVELING, 90/60 OPTIONAL (AS NEEDED)
37	16339400	1	WEAR PLATE, SS, 1.OUTER, 90/60
38	16339500	1	WEAR PLATE, SS, 2.OUTER, 90/60
39	21092100	1	LINK HEAD M20 x D20 L=73, DELTA
40	47001103	1	WASHER D20.5/D33X4 LOCK
41	48000503	1	RIVET Ø3.2X10, STAINLESS
42	61006200	1	ADJ. ARM F.BREAKAWAY FTZ
43	61010700	1	PIN F.HINGE 80-90'/SPC L=664
44	61066100	1	FOLDING ARM,90/60,1.OUT"A"
45	61066300	1	FOLDING ARM,90/60,1.OUT"B"
46	61066500	1	FOLDING ARM,90/60,2.OUTER
47	61066700	1	BOOM REST, 90/60, 2.OUTER
48	63107300	1	BOOM, 90/60, 1.OUTER, RH
48	63112700	1	BOOM, 90/60, 1.OUTER, LEFT
49	63107500	1	BOOM, 90/60, 2.OUTER
50	63825000	1	BREAKAWAY FTZ/SPC 3.0M, RED
51	78127200	1	CYLINDER DOUB. D40/25 L=455





**D0500**

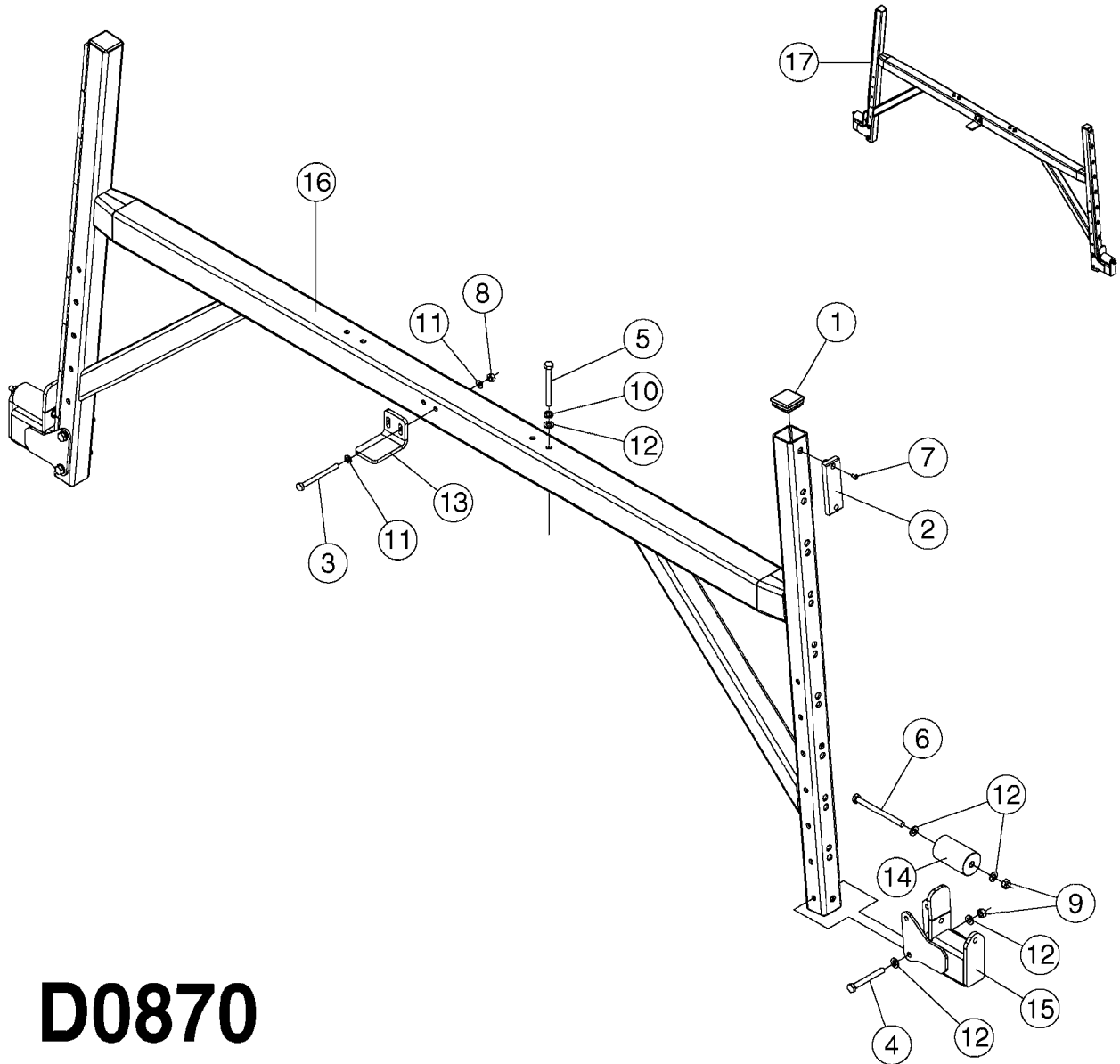


SPC PLUMB.BRACKETS - T25  
D0500-HIN, 21:02:17

Page 1

Date 12.08.2020 8:19

Pos.	parts-n°	order qty	description
1	341291	1	RUBBER HOSE CLAMP COVER 130MM
2	410384	1	BOLT HEX 8.8 DEL M6X65
3	410406	1	BOLT HEX 8.8 DEL M5X16 FT
4	410524	1	BOLT HEX 8.8 DEL M6X100
5	460261	1	NUT HEX M6X1.00 LOCK DIN985 A2 SS
6	461217	1	NUT HEX M5 LOCK
7	480783	1	RIVET Ø4x14, GR 7.9-9.5 ALUM
8	480804	1	RIVET Ø4.8x14.5
9	16109303	1	PLATE F. TRANSPORT REST CM
10	16110803	1	NOZZLE BRACKET VAR SPACINGS
11	16162503	1	BRACKET,NOZZLE OFFSET,R,BLACK
12	16163003	1	BRACKET,NOZZLE OFFSET,L,BLACK
13	16164803	1	BRACKET, T25 FEEDTUBE HANG
14	16166203	1	BRACKET, T25 FEED TUBE HANG 80X60
15	16183403	1	BRACKET, TRANSPORT BAR NOZ SPC, RED
16	16183603	1	BRACKET, NOZZLE OFFSET, LH, RED
17	16183803	1	BRACKET, NOZZLE OFFSET, RH, RED
18	16380800	1	BRACKET, NOZZLE DUMMY, T25
19	28047003	1	CLAMP HOSE GEAR 30 X 50 6732



**D0870**



TRANSPORT BKTS - SPC PRESIDIO  
D0870-HIN, 24:06:16

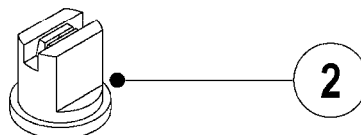
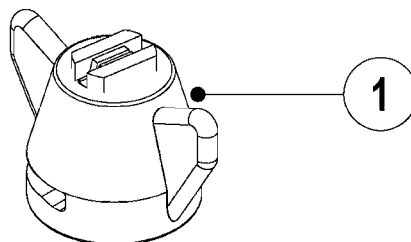
Page 1

Date 12.08.2020 8:19

Pos.	parts-n°	order qty	description
1	284645	1	PLUG 60x60x2
2	334135	1	SLIDE SHOE 140X45X15
3	420663	1	BOLT HEX 8.8 DEL M10X120 A4-80
4	430872	1	BOLT HEX 8.8 DEL M12X100 FT
5	430892	1	BOLT HEX 8.8 DEL M12X110
6	430914	1	BOLT HEX 8.8 DEL M12X150
7	440708	1	SCREW M5.5X16 SELF TAPPING SS
8	460423	1	NUT HEX M10X1.50 LOCK DIN985A2 SS
9	460703	1	NUT HEX M12X1.75 LOCK DIN985A2 SS
10	470466	1	WASHER D21.1/D12.2X2.5 LOCK
11	471122	1	WASHER, M10, Ø20/10.5X 2.0, SS
12	471127	1	WASHER, M12, Ø24/13X24X2.5 SS
13	16181703	1	LOCK RINSE TANK, PRESIDIO
14	39003603	1	ROLLER FOR TRANSPORT, POM.
15	63043503	1	TRANSPORT REST, SPC, GRAY
16	63043603	1	TRANSPORT BRACKET, PRESIDIO
17	70118103	1	TRANSPORT KIT, PRESIDIO 2700

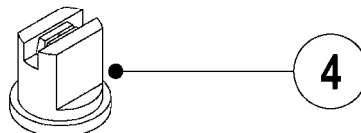
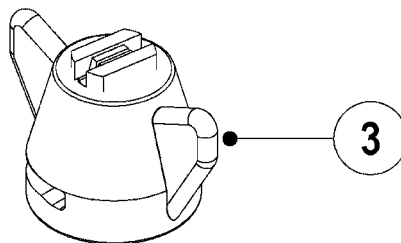


### SYNTAL



---

### CERAMIC



**D1000**



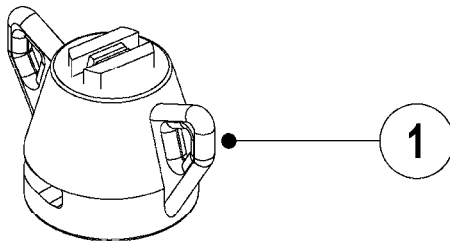
BOOM-NOZZLES 110° FLAT FAN ISO  
D1000-HIN, 01:01:16

Page 1  
Date 12.08.2020 8:19

Pos.	parts-n°	order qty	description
1	371764	1	NOZZLE ISO CT F-01-110 ORANGE
1	371765	1	NOZZLE ISO CT F-015-110 GREEN
1	371766	1	NOZZLE ISO CT F-02-110 YELLOW
1	371767	1	NOZZLE ISO CT F-03-110 BLUE
1	371768	1	NOZZLE ISO CT F-04-110 RED
1	371769	1	NOZZLE ISO CT F-05-110 BROWN
1	371770	1	NOZZLE ISO CT F-06-110 GREY
1	371771	1	NOZZLE ISO CT F-08-110 WHITE
1	371950	1	NOZZLE ISO CT F-025-110 LILAC
1	371964	1	NOZZLE ISO CT F-075-110 PINK
1	371970	1	NOZZLE ISO CT F-10-110 LT BLUE
2	371706	1	NOZZLE ISO F-01-110 ORANGE
2	371707	1	NOZZLE ISO F-015-110 GREEN
2	371708	1	NOZZLE ISO F-02-110 YELLOW
2	371709	1	NOZZLE ISO F-03-110 BLUE
2	371710	1	NOZZLE ISO F-04-110 RED
2	371711	1	NOZZLE ISO F-05-110 BROWN
2	371712	1	NOZZLE ISO F-06-110 GREY
2	371713	1	NOZZLE ISO F-08-110 WHITE
2	371946	1	NOZZLE ISO F-025-110 LILAC
2	371963	1	NOZZLE ISO F-075-110 PINK
2	371966	1	NOZZLE ISO F-10-110 LT BLUE
3	371772	1	NOZZLE ISO CT F-015-110C GREEN
3	371773	1	NOZZLE ISO CT F-02-110C YELLOW
3	371774	1	NOZZLE ISO CT F-03-110C BLUE
3	371775	1	NOZZLE ISO CT F-04-110C RED
3	371776	1	NOZZLE ISO CT F-05-110C BROWN
3	371777	1	NOZZLE ISO CT F-06-110C GREY
4	371738	1	NOZZLE ISO F-015-110C GREEN
4	371739	1	NOZZLE ISO F-02-110C YELLOW
4	371740	1	NOZZLE ISO F-03-110C BLUE
4	371741	1	NOZZLE ISO F-04-110C RED
4	371742	1	NOZZLE ISO F-05-110C BROWN
4	371743	1	NOZZLE ISO F-06-110C GREY

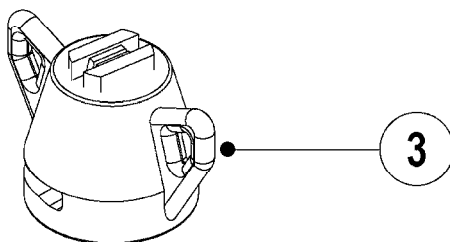


### SYNTAL



---

### CERAMIC



**D1010**



BOOM-NOZZLES 110° LOWDRIFT ISO  
D1010-HIN, 01:01:16

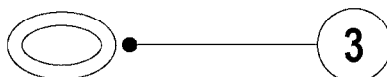
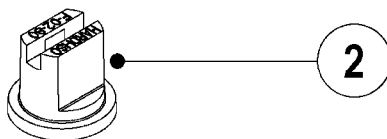
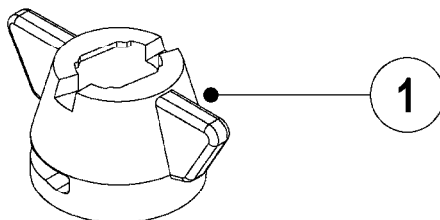
Page 1  
Date 12.08.2020 8:19

Pos.	parts-n°	order qty	description
1	371837	1	NOZZLE ISO CT LD-01-110 ORANGE
1	371838	1	NOZZLE ISO CT LD-015-110 GREEN
1	371839	1	NOZZLE ISO CT LD-02-110 YELLOW
1	371840	1	NOZZLE ISO CT LD-03-110 BLUE
1	371841	1	NOZZLE ISO CT LD-04-110 RED
1	371894	1	NOZZLE ISO CT LD-05-110 BROWN
1	371958	1	NOZZLE ISO CT LD-025-110 LILAC
2	371817	1	NOZZLE ISO LD-01-110 ORANGE
2	371818	1	NOZZLE ISO LD-015-110 GREEN
2	371819	1	NOZZLE ISO LD-02-110 YELLOW
2	371820	1	NOZZLE ISO LD-03-110 BLUE
2	371821	1	NOZZLE ISO LD-04-110 RED
2	371893	1	NOZZLE ISO LD-05-110 BROWN
2	371957	1	NOZZLE ISO LD-025-110 LILAC
3	371842	1	NOZZLE ISO CT LD-01-110C ORANG
3	371843	1	NOZZLE ISO CT LD-015-110C GRN
3	371844	1	NOZZLE ISO CT LD-02-110C YELLO
3	371845	1	NOZZLE ISO CT LD-03-110C BLUE
3	371846	1	NOZZLE ISO CT LD-04-110C RED
3	371897	1	NOZZLE ISO CT LD-05-110C BROWN
4	371822	1	NOZZLE ISO LD-01-110C ORANGE
4	371823	1	NOZZLE ISO LD-015-110C GREEN
4	371824	1	NOZZLE ISO LD-02-110C YELLOW
4	371825	1	NOZZLE ISO LD-03-110C BLUE
4	371826	1	NOZZLE ISO LD-04-110C RED
4	371896	1	NOZZLE ISO LD-05-110C BROWN





## SYNTAL



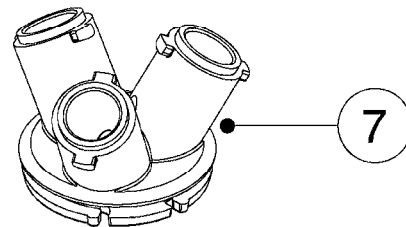
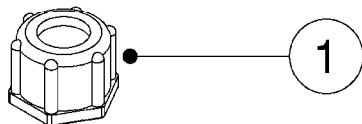
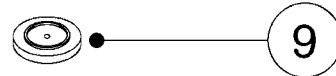
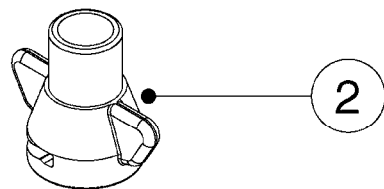
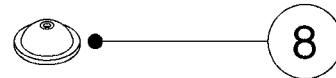
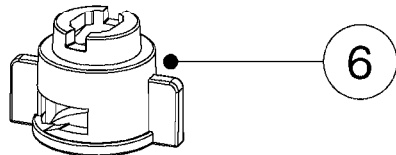
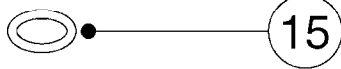
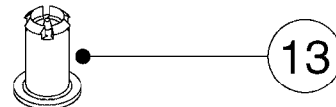
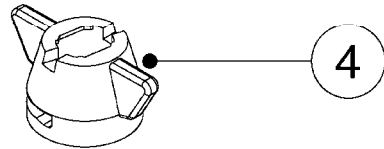
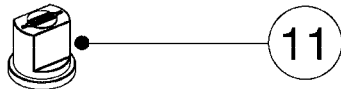
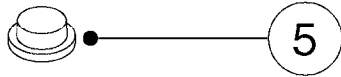
# D1020



BOOM-NOZZLES 80° FLAT FAN ISO  
D1020-HIN, 01:01:16

Page 1  
Date 12.08.2020 8:19

Pos.	parts-n°	order qty	description
1	334083	1	SNAP-FIT NOZZLE HOLDER SS BLCK
2	371931	1	SYNTAL ISO F-01-80 TIP ORNG
2	371932	1	SYNTAL ISO F-015-80 TIP GREEN
2	371933	1	SYNTAL ISO F-02-80 TIP YELLOW
2	371934	1	SYNTAL ISO F-03-80 TIP BLUE
3	10423503	1	O-RING 9.12x3.53 NITRIL



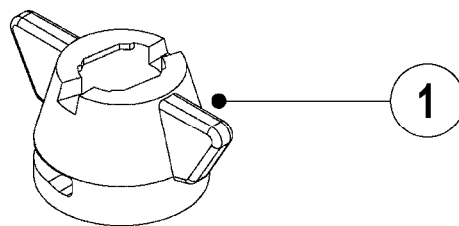
**D1030**



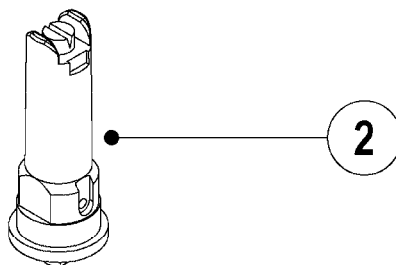
BOOM-NOZZLE CAPS AND FILTERS  
D1030-HIN, 28:11:17

Page 1  
Date 12.08.2020 8:19

Pos.	parts-n°	order qty	description
1	320187	1	FITT.DK CAP 3/8" BSP BLACK
1	321517	1	FITT.DK CAP 3/8" BSP WHITE
			ALWAYS USE WITH ISO AND INJET NOZZLES
1	321797	1	FITT.DK CAP 3/8' BSP BLUE
1	321801	1	FITT.DK CAP 3/8' BSP GREEN
1	321812	1	FITT.DK CAP 3/8' BSP RED
1	321823	1	FITT.DK CAP 3/8' BSP ORANGE
1	321834	1	FITT.DK CAP 3/8' BSP YELLOW
2	322068	1	SNAP-FIT ADAPTER THREAD. HARDI
3	330013	1	O-RING 2.5 X 10 PUR
4	334083	1	SNAP-FIT NOZZLE HOLDER SS BLCK
5	334102	1	BLANK F.NOZZLE
6	334862	1	NOZZLE CAP TJBLACK F.ISO/INJET
7	334926	1	SNAP-FIT TURN PLATE F TRIPLET
8	370016	1	NOZZLE CONE JET 1553-08
8	370027	1	NOZZLE CONE JET 1553-10
8	370031	1	NOZZLE CONE JET 1553-12
8	370042	1	NOZZLE CONE JET 1553-14
8	370053	1	NOZZLE CONE JET 1553-16
8	370064	1	NOZZLE CONE JET 1553-18
8	370075	1	NOZZLE CONE JET 1553-20
8	370086	1	NOZZLE CONE JET 1553-22
8	370097	1	NOZZLE CONE JET 1553-24
8	370101	1	NOZZLE CONE JET 1553-30
8	370112	1	NOZZLE CONE JET 1553-35
8	370123	1	NOZZLE CONE JET 1553-40
9	370134	1	NOZZLE SWIRL 1554-GREY
9	370145	1	NOZZLE SWIRL 1554-BLACK
9	370156	1	NOZZLE SWIRL 1554-BLUE
9	370167	1	NOZZLE SWIRL 1554-1.3 WHITE
10	371551	1	NOZZ LRG DROP FLAT SPRAY SINGL
11	372140	1	HARDI ISO BLIND CAP
12	390639	1	O-RING F.NOZZLE FILTER
13	614366	1	FILTER 50 MESH F.NOZZLE BLUE
13	614367	1	FILTER 80 MESH F.NOZZLE RED
13	614368	1	FILTER 100 MESH F.NOZZLE YEL.
14	725042	1	SCREEN 80 MESH W.GASKET, RED
14	725043	1	SCREEN 50 MESH W.GASKET,BLUE
14	725044	1	SCREEN 100 MESH W.GASKET,YELLO
15	10423503	1	O-RING 9.12x3.53 NITRIL
16	24022901	1	GASKET D10X19 EP 3.2

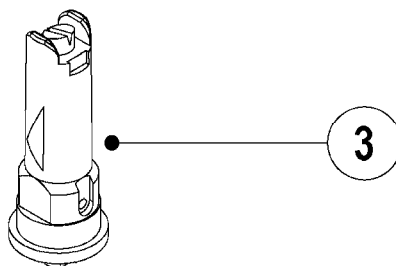


### INJET Nozzle SYNTAL



---

### B-JET Nozzle SYNTAL



# D1040



BOOM-NOZZLES INJET  
D1040-HIN, 01:01:16

Page 1

Date 12.08.2020 8:19

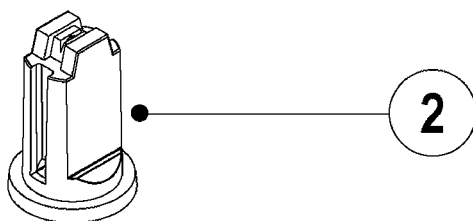
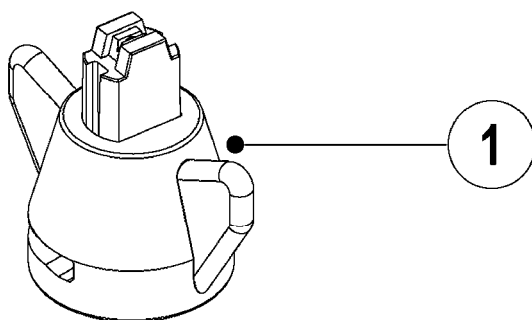
Pos.	parts-n°	order qty	description
1	334083	1	SNAP-FIT NOZZLE HOLDER SS BLCK
2	371872	1	NOZZLE INJET 015 GREEN SINGLE
2	371873	1	NOZZLE INJET 02 YELLOW SINGLE
2	371874	1	NOZZLE INJET 025 LILAC SINGLE
2	371875	1	NOZZLE INJET 03 BLUE SINGLE
2	371876	1	NOZZLE INJET 04 RED SINGLE
2	371926	1	NOZZLE INJET 01 ORANGE SINGLE
2	371927	1	NOZZLE INJET 05 BROWN SINGLE
2	371928	1	NOZZLE INJET 06 GREY SINGLE
2	371929	1	NOZZLE INJET 08 WHITE SINGLE
3	371870	1	NOZZLE B-JET 03 BLUE
3	371871	1	NOZZLE B-JET 04 RED
3	371877	1	NOZZLE B-JET 025 LILAC
3	371930	1	NOZZLE B-JET 02 YELLOW



BOOM-NOZZLES MINIDRIFT  
D1050-HIN, 01:01:16

Page 0

Date 12.08.2020 8:19



**D1050**



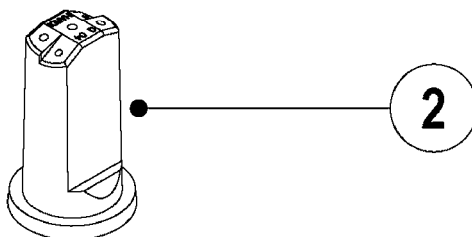
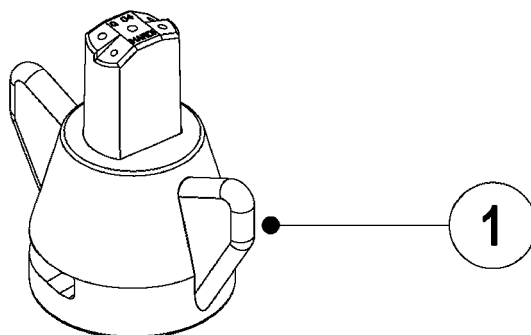
BOOM-NOZZLES MINIDRIFT  
D1050-HIN, 01:01:16

Page 1

Date 12.08.2020 8:19

Pos.	parts-n°	order qty	description
1	372121	1	NOZZLE ISO CT MD-015-110 GREEN
1	372122	1	NOZZLE ISO CT MD-02-110 YELLOW
1	372123	1	NOZZLE ISO CT MD-025-110 LILAC
1	372124	1	NOZZLE ISO CT MD-03-110 BLUE
1	372125	1	NOZZLE ISO CT MD-04-110 RED
1	372126	1	NOZZLE ISO CT MD-05-110 BROWN
2	372111	1	NOZZLE ISO MD-015-110 GREEN
2	372112	1	NOZZLE ISO MD-02-110 YELLOW
2	372113	1	NOZZLE ISO MD-025-110 LILAC
2	372114	1	NOZZLE ISO MD-03-110 BLUE
2	372115	1	NOZZLE ISO MD-04-110 RED
2	372116	1	NOZZLE ISO MD-05-110 BROWN





**D1060**

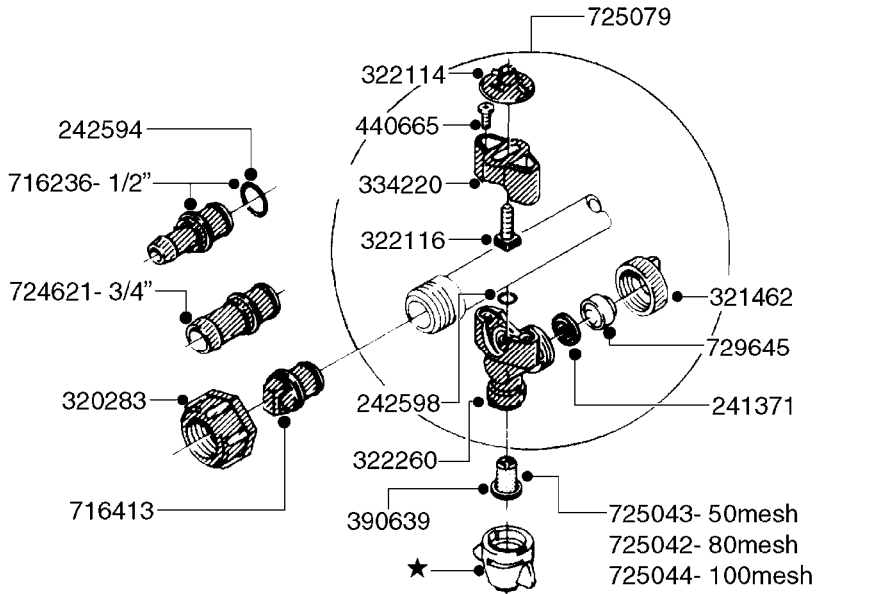


BOOM-NOZZLES QUINTASTREAM  
D1060-HIN, 01:01:16

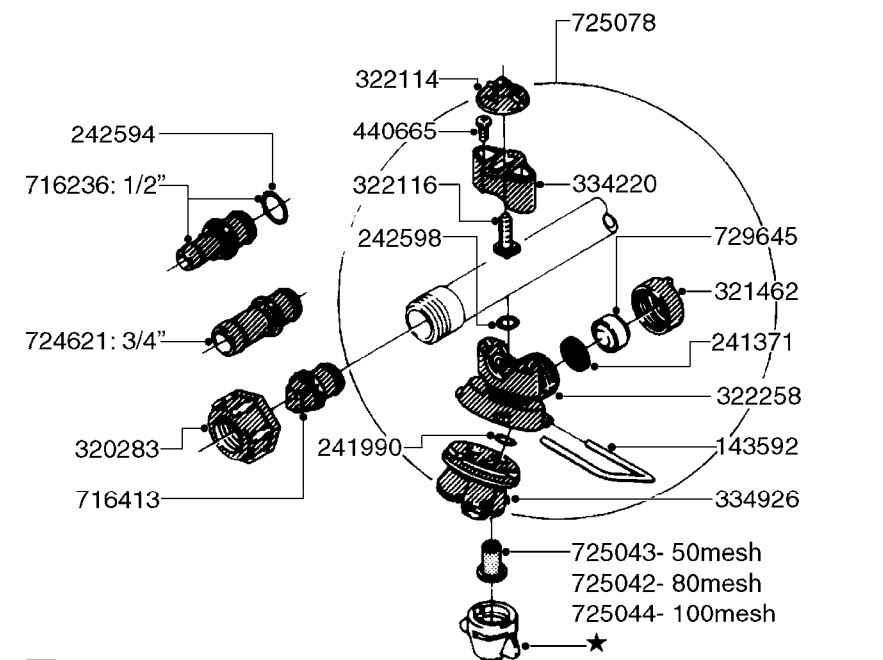
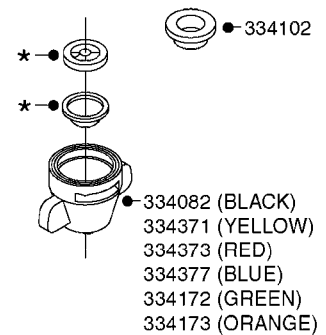
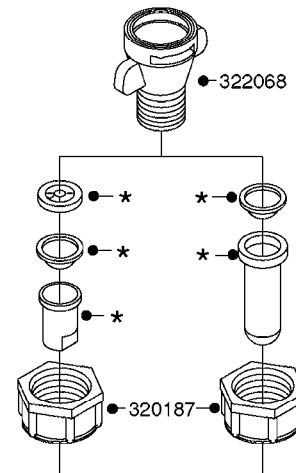
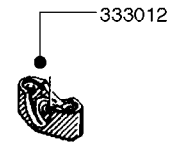
Page 1

Date 12.08.2020 8:19

Pos.	parts-n°	order qty	description
1	372011	1	NOZZLE ISO QS-015-5H GREEN
1	372012	1	NOZZLE ISO QS-02-5H YELLOW
1	372013	1	NOZZLE ISO QS-03-5H BLUE
1	372014	1	NOZZLE ISO QS-04-5H RED
1	372015	1	NOZZLE ISO QS-05-5H BROWN
1	372016	1	NOZZLE ISO QS-06-5H GREY
1	372017	1	NOZZLE ISO QS-08-5H WHITE
1	372018	1	NOZZLE ISO QS-10-5H LT. BLUE
1	372019	1	NOZZLE ISO QS-15-5H LT. GREEN
2	372002	1	ISO QNTSTRM 015 S-GREEN
2	372003	1	ISO QNTSTRM 02 S-YELLOW
2	372004	1	ISO QNTSTRM 03 S-BLUE
2	372005	1	ISO QNTSTRM 04 S-RED
2	372006	1	ISO QNTSTRM 05 S-BROWN
2	372007	1	ISO QNTSTRM 06 S-GREY
2	372008	1	ISO QNTSTRM 08 S-WHITE
2	372009	1	ISO QNTSTRM 10 S-LT.BLU
2	372010	1	ISO QNTSTRM 15 S-LT.GRN



**SINGLE NOZZLE BODY**



**TRIPLET NOZZLE BODY**

**D1090**

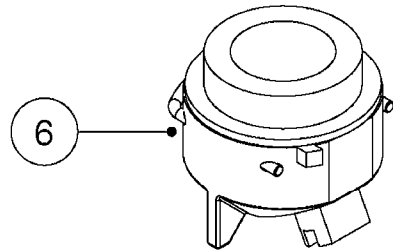
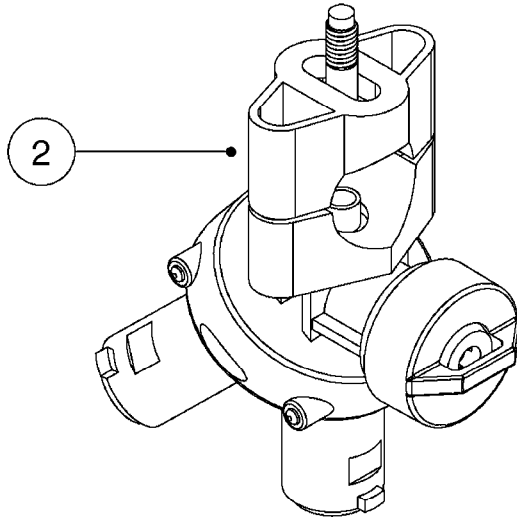
\*=REFER TO HARDI NOZZLE CATALOG



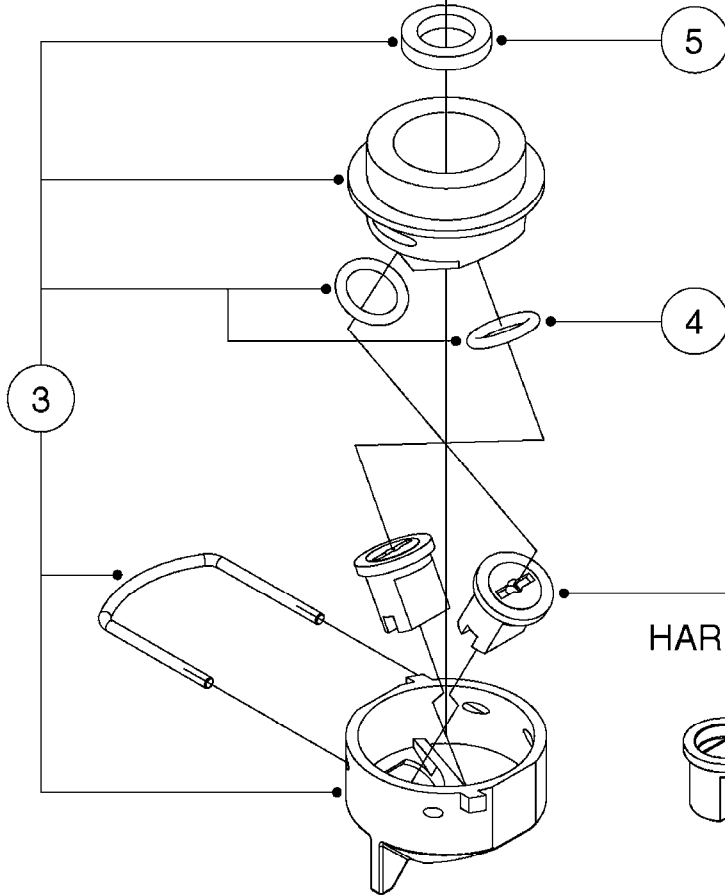
NOZZLE BODIES-SNAP FIT  
D1090-HIN, 01:01:16

Page 1  
Date 12.08.2020 8:19

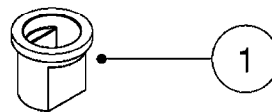
parts-n°	order qty	description
143592	1	LOCK CLAMP FOR TRIPLET
241371	1	DIAPHRAGM F.NO-DRIP,VULC
241990	1	O-RING D9.3 X 2.4 VITON
242594	1	O-RING D14 X 1.78 SCH.70-EPDM
242598	1	O-RING D7.0 X 2.5 NITRIL
320187	1	FITT.DK CAP 3/8" BSP BLACK
320283	1	FITT.DK NUT 3/4"BSP
321462	1	CAP F.NO-DRIP ASSY.
322068	1	SNAP-FIT ADAPTER THREAD. HARDI
322114	1	NUT PLASTIC F.NOZZ.H
322116	1	BOLT PLASTIC F.NOZZ.H.
322258	1	HOUSING F.TRIPLET
322260	1	NOZZLE HOLDER LOWER PART
333012	1	NOZZLE HOLD. UPPER PART
334082	1	SNAP-FIT NOZZ.HOLD.CONE BLACK
334102	1	BLANK F.NOZZLE
334172	1	SNAP-FIT NOZZ.HOLD.CONE GREEN
334173	1	SNAP-FIT NOZZ.HOLD.CONE ORANGE
334220	1	YOKE, UPPER NOZZLE BODY
334371	1	SNAP-FIT NOZZLE HOLDER YELLOW
334373	1	SNAP-FIT NOZZLE HOLDER RED
334377	1	SNAP-FIT NOZZLE HOLDER BLUE
334926	1	SNAP-FIT TURN PLATE F TRIPLET
390639	1	O-RING F.NOZZLE FILTER
440665	1	SCREW M4.2X16 STAINLESS
716236	1	FITT.DK HB 1/2" ASSY. F. 3/4"
716413	1	FITT.DK PLUG ASSY. F.NOZ TUBE
724621	1	FITT.DK HB 3/4"ASSY F.3/4" NUT
725042	1	SCREEN 80 MESH W.GASKET, RED
725043	1	SCREEN 50 MESH W.GASKET,BLUE
725044	1	SCREEN 100 MESH W.GASKET,YELLO
725078	1	SNAP-FIT TRIPLET W/O NOZZ HOLD
725079	1	NOZZLE ASSY.SING.SNAP-FIT GREN
729645	1	NON-DRIP SPRING ASSY.GREEN 10



COMPLETE ASSEMBLY  
WITH NOZZLES



REFER TO  
HARDI® NOZZLE CATALOG



**D1100**

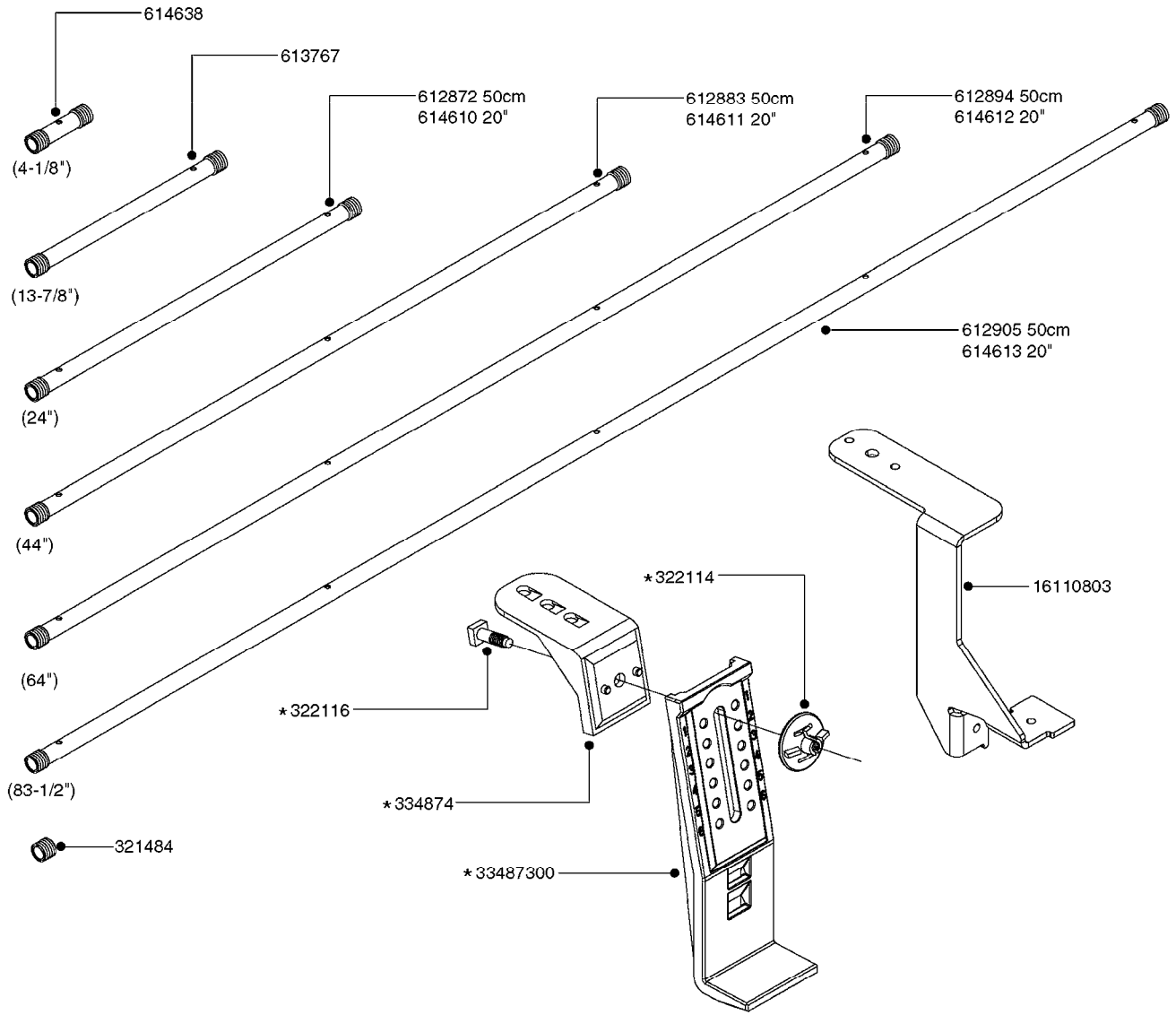


DOUBLE NOZZLE HOLDER-SNAP FIT  
D1100-HIN, 01:01:16

Page 1

Date 12.08.2020 8:19

Pos.	parts-n°	order qty	description
1	372140	1	HARDI ISO BLIND CAP
2	725078	1	SNAP-FIT TRIPLET W/O NOZZ HOLD
3	28032503	1	DOUBLE NOZZLE HOLDER LD ISO
4	28040103	1	O-RING F.DOUBLE NOZZLE HOLDER
5	28089103	1	GASKET F.DOUBLE NOZZLE HOLDER
6	70056803	1	DOUBLE NOZZLE CAP ORANGE LD 01
6	70056903	1	DOUBLE NOZZLE CAP GREEN LD 015
6	70057003	1	DOUBLE NOZZLE CAP YELLOW LD 02
6	70057103	1	DOUBLE NOZZLE CAP LILAC LD 025
6	70057203	1	DOUBLE NOZZLE CAP BLUE LD 03
6	70057303	1	DOUBLE NOZZLE CAP RED LD 04
6	70057403	1	DOUBLE NOZZLE CAP BROWN LD 05



\*74009003 - BAG OF 5 COMPLETE  
\*74008903 - BAG OF 10 COMPLETE

	STAINLESS CLAMPS AND INSULATOR	
	100X60MM - 74008203 BAG OF 10	
	80X60MM - 74008303 BAG OF 10	80X60MM - 74008403 BAG OF 5
	50X50MM - 74008503 BAG OF 10	50X50MM - 74008603 BAG OF 5
	50X30MM - 74008703 BAG OF 10	50X30MM - 74008803 BAG OF 5

BLANK TUBES:
614647 - 23-3/4"
614648 - 43-1/4"
614649 - 63"
614650 - 82-1/2"

# D1110



NOZZLE TUBES & HOLDER-PLASTIC  
D1110-HIN, 08:04:19

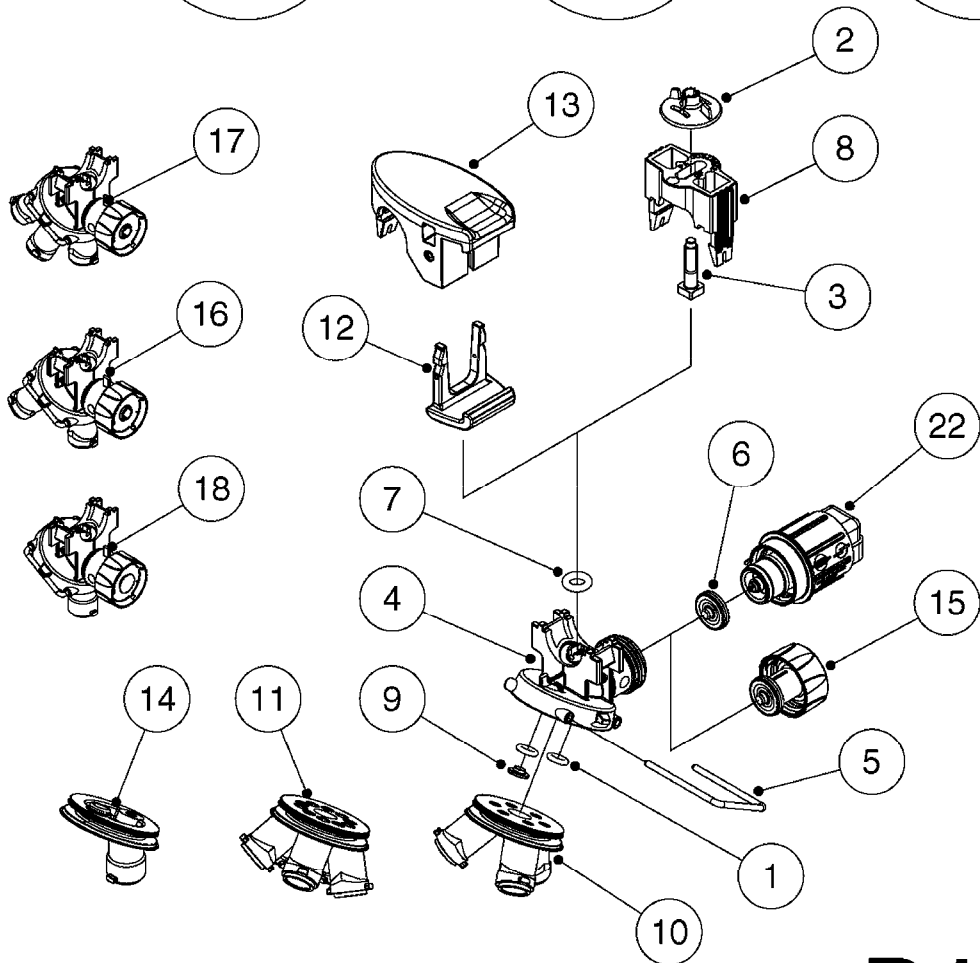
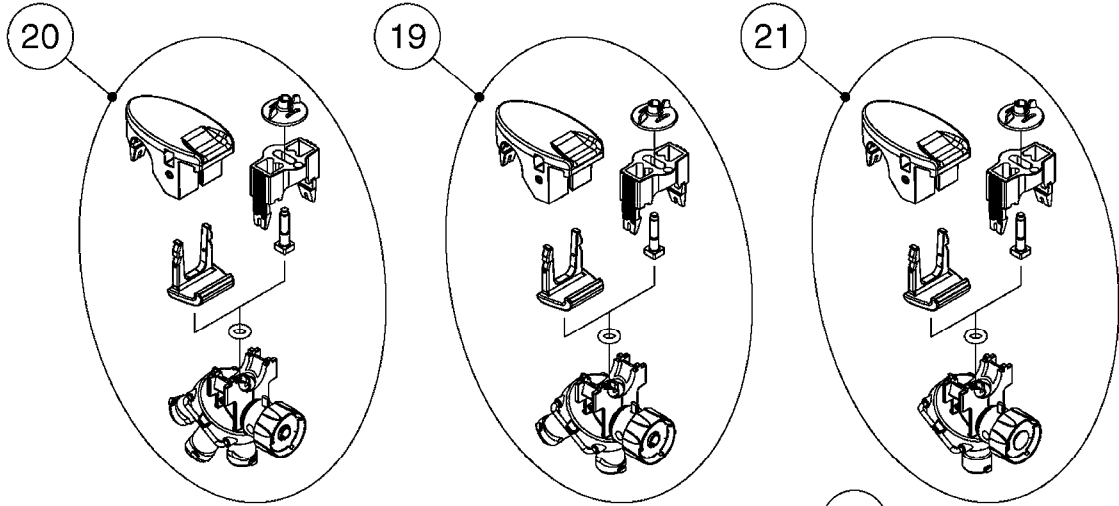
Page 1  
Date 12.08.2020 8:19

parts-n°	order qty	description
321484	1	BUSHING THREADED F.NOZZ.TUBE
322114	1	NUT PLASTIC F.NOZZ.H
322116	1	BOLT PLASTIC F.NOZZ.H.
334874	1	NOZZLE HOLDER - TOP HALF
612872	1	NOZZLE TUBE 2 HOLE L-24"/50CM
612883	1	NOZZLE TUBE 3 HOLE L-44"/50CM
612894	1	NOZZLE TUBE 4 HOLE L-64"/50CM
612905	1	NOZZLE TUBE 5 HOLE L-83.5"/50C
613767	1	NOZZLE TUBE 1 HOLE L-13.875"
614610	1	NOZZLE TUBE 2 HOLE L-24"/SP20"
614611	1	NOZZLE TUBE 3 HOLE L-44"/SP20"
614612	1	NOZZLE TUBE 4 HOLE L-64"/SP20"
614613	1	NOZZLE TUBE 5 HOLE L-83.5"/20"
614638	1	NOZZLE TUBE 1 HOLE L-4.125"
614647	1	NOZZLE TUBE L=600mm NO HOLES
614648	1	NOZZLE TUBE L=1100mm NO HOLES
614649	1	NOZZLE TUBE L=1600mm NO HOLES
614650	1	NOZZLE TUBE L=2100mm NO HOLES
16110803	1	NOZZLE BRACKET VAR SPACINGS
33487300	1	NOZZLE HOLDER - BOTTOM HALF
74008203	1	CLAMP & INSULATOR 100X60 (QTY.10)
74008303	1	CLAMP & INSULATOR 80X60 MM (QTY.10)
74008403	1	CLAMP & INSULATOR 80X60 MM (QTY.5)
74008503	1	CLAMP & INSULATOR 50X50 MM (QTY.10)
74008603	1	CLAMP & INSULATOR 50X50 MM (QTY.5)
74008703	1	CLAMP & INSULATOR 30X50 MM (QTY.10)
74008803	1	CLAMP & INSULATOR 30X50 MM (QTY.5)
74008903	1	NOZZLE HOLDER COMPLETE (QTY.10)
74009003	1	NOZZLE HOLDER COMPLETE (QTY.5)





NOZZLE BODIES - T25  
D1130-HIN, 05:04:18



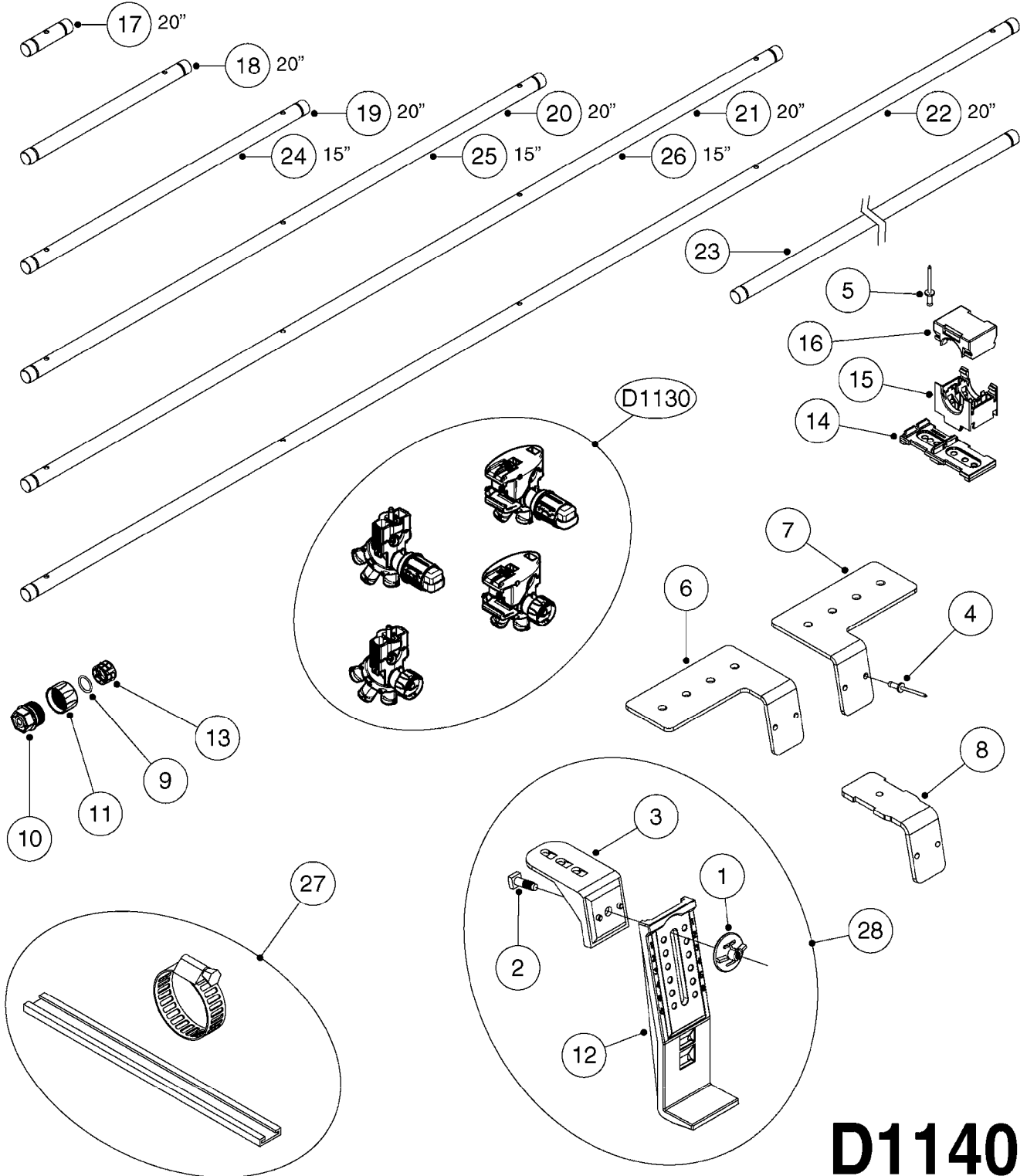
**D1130**



NOZZLE BODIES - T25  
D1130-HIN, 05:04:18

Page 1  
Date 12.08.2020 8:20

Pos.	parts-n°	order qty	description
1	242431	1	O-RING 6.3X2.4 VITON
2	322114	1	NUT PLASTIC F.NOZZ.H
3	322116	1	BOLT PLASTIC F.NOZZ.H.
3	45002100	1	SCREW M6X20 W.SQ.HEAD SS
4	322365	1	HOUSING F.Ø25 TUBE TRIP/PENT
5	14046100	1	CLAMP Ø3/38 L=51 TRIP/PENT T25
6	24261400	1	MEMBRANE F.NON-DRIP Ø19.8 BLACK EPDM
6	24265500	1	NON DRIP MEMBRANE Ø19,8 FPM/VITON BROWN 60A
7	24262800	1	O-RING Ø10.69 X 3.53 NITRIL
8	33507600	1	TOP,NOZZLE HOLDER T25,BOLT-ON
9	33517000	1	STOP F. ROTARY PLATE TRIP/PENT
10	33517100	1	ROTARY PLATE F. TRIPLET T25
11	33517200	1	ROTARY PLATE F. PENTALET T25
12	33520200	1	LOCK F. T25 BRACKET
13	33520300	1	TOP PLATE T25 NOZZLE '12 30x10
14	33526600	1	SINGLE NOZZLE PLATE, T25
15	72622200	1	NON-DRIP, 1-BAR TRIP/PENT T25 INCLUDES MEMBRANE (24261400)
16	72686400	1	TRIPLET Ø25 NON DRIP LOWER
17	72686500	1	PENTALET Ø25 NON DRIP LOWER
18	73376100	1	SINGLE Ø25 NON DRIP LOWER
19	75001403	1	NOZZLE BODY KIT, T25, TRIPLET
20	75001503	1	NOZZLE BODY KIT, T25, PENTALET
21	75001603	1	NOZZLE BODY KIT, T25, SINGLE
22	75085300	1	ACTUATOR PF '11 (SPARE PART)



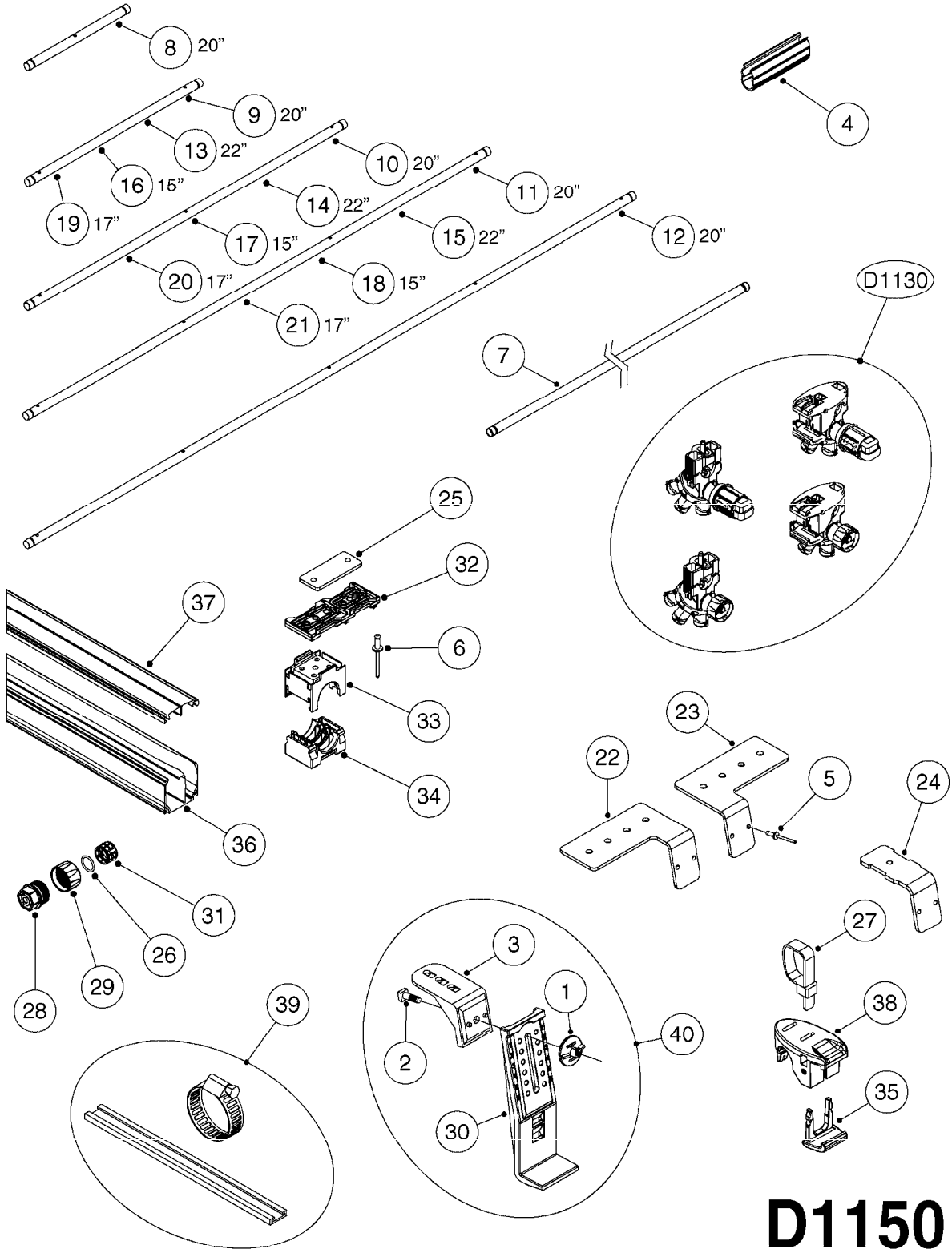
**D1140**



NOZZLE TUBES - PLASTIC T25  
D1140-HIN, 29:11:17

Page 1  
Date 12.08.2020 8:20

Pos.	parts-n°	order qty	description
1	322114	1	NUT PLASTIC F.NOZZ.H
2	322116	1	BOLT PLASTIC F.NOZZ.H.
3	334874	1	NOZZLE HOLDER - TOP HALF
4	480783	1	RIVET Ø4x14, GR 7.9-9.5 ALUM
5	480804	1	RIVET Ø4.8x14.5
6	16162503	1	BRACKET,NOZZLE OFFSET,R,BLACK
7	16163003	1	BRACKET,NOZZLE OFFSET,L,BLACK
8	16380800	1	BRACKET, NOZZLE DUMMY, T25
9	24263000	1	O-RING Ø24.4 X 3.1 NITRIL SH70
10	32239300	1	FITT.DK CAP T25
11	32239700	1	FITT.DK NUT T25
12	33487300	1	NOZZLE HOLDER - BOTTOM HALF
13	33515500	1	FITT.DK NUT LOCK RING T25
14	33517900	1	SOCKET F. PIPE HOLDER
15	33518000	1	PIPE HOLDER BETWEEN Ø25
16	33518100	1	PIPE HOLDER TOP Ø25
17	34141700	1	NOZ.TUBE-PP, T25 X 200, 1-HOLE
18	34141800	1	NOZ.TUBE-PP, T25 X 374, 1-HOLE
19	34141900	1	NOZ.TUBE-PP, T25 X 628, 2-20"
20	34142000	1	NOZ.TUBE-PP, T25 X 1136, 3-20"
21	34142100	1	NOZ.TUBE-PP, T25 X 1644, 4-20"
22	34142200	1	NOZ.TUBE-PP, T25 X 2152, 5-20"
23	34144800	1	FEED TUBE-PP, T25 X 1020
23	34145400	1	FEED TUBE-PP, T25 X 1270
23	34145500	1	FEED TUBE-PP, T25 X 1320
23	34145600	1	FEED TUBE-PP, T25 X 1370
23	34146900	1	FEED TUBE-PP, T25 X 1970
23	34148000	1	FEED TUBE-PP, T25 X 2470
23	34148200	1	FEED TUBE-PP, T25 X 2570
23	34148300	1	FEED TUBE-PP, T25 X 2620
23	34148800	1	FEED TUBE-PP, T25 X 2820
23	34149600	1	FEED TUBE-PP, T25 X 3170
23	34150400	1	FEED TUBE-PP, T25 X 3570
23	34150700	1	FEED TUBE-PP, T25 X 3670
23	34150800	1	FEED TUBE-PP, T25 X 3720
23	34152500	1	FEED TUBE-PP, T25 X 4520
24	34158600	1	NOZ.TUBE-PP, T25 X 501, 2-15"
25	34158700	1	NOZ.TUBE-PP, T25 X 882, 3-15"
26	34158800	1	NOZ.TUBE-PP, T25 X 1283, 4-15"
27	74008203	1	CLAMP & INSULATOR 100X60 (QTY.10)
27	74008303	1	CLAMP & INSULATOR 80X60 MM (QTY.10)
27	74008403	1	CLAMP & INSULATOR 80X60 MM (QTY.5)
27	74008503	1	CLAMP & INSULATOR 50X50 MM (QTY.10)
27	74008603	1	CLAMP & INSULATOR 50X50 MM (QTY.5)
27	74008703	1	CLAMP & INSULATOR 30X50 MM (QTY.10)
27	74008803	1	CLAMP & INSULATOR 30X50 MM (QTY.5)
28	74008903	1	NOZZLE HOLDER COMPLETE (QTY.10)
28	74009003	1	NOZZLE HOLDER COMPLETE (QTY.5)





Pos.	parts-n°	order qty	description
1	322114	1	NUT PLASTIC F.NOZZ.H
2	322116	1	BOLT PLASTIC F.NOZZ.H.
3	334874	1	NOZZLE HOLDER - TOP HALF
4	341341	1	CABLE HOLDER 250MM
4	341342	1	CABLE HOLDER 375MM
5	480783	1	RIVET Ø4x14, GR 7.9-9.5 ALUM
6	480804	1	RIVET Ø4.8x14.5
7	15149200	1	FEED TUBE-SS, T25 X 1020
7	15149300	1	FEED TUBE-SS, T25 X 1220
7	15149400	1	FEED TUBE-SS, T25 X 2270
7	15149500	1	FEED TUBE-SS, T25 X 2820
7	15149600	1	FEED TUBE-SS, T25 X 3670
7	15149700	1	FEED TUBE-SS, T25 X 4520
7	15149800	1	FEED TUBE-SS, T25 X 2620
7	15149900	1	FEED TUBE-SS, T25 X 3120
7	15154800	1	FEED TUBE-SS, T25 X 3770
7	15154900	1	FEED TUBE-SS, T25 X 1970
7	15155000	1	FEED TUBE-SS, T25 X 2770
7	15155100	1	FEED TUBE-SS, T25 X 3170
7	15155200	1	FEED TUBE-SS, T25 X 3820
7	15155300	1	FEED TUBE-SS, T25 X 5420
7	15155400	1	FEED TUBE-SS, T25 X 4070
7	15155500	1	FEED TUBE-SS, T25 X 4920
7	15180000	1	FEED TUBE-SS, T25 X 4720
7	15180100	1	FEED TUBE-SS, T25 X 3370
8	15155900	1	NOZ.TUBE-SS, T25 X 374, 1-HOLE
9	15156000	1	NOZ.TUBE-SS, T25 X 628, 2-20"
10	15156100	1	NOZ.TUBE-SS, T25 X 1136, 3-20"
11	15156200	1	NOZ.TUBE-SS, T25 X 1644, 4-20"
12	15156300	1	NOZ.TUBE-SS, T25 X 2152, 5-20"
13	15173800	1	NOZ.TUBE-SS, T25 X 679, 2-22"
14	15173900	1	NOZ.TUBE-SS, T25 X 1238, 3-22"
15	15174000	1	NOZ.TUBE-SS, T25 X 1797, 4-22"
16	15187400	1	NOZ.TUBE-SS, T25 X 501, 2-15"
17	15187500	1	NOZ.TUBE-SS, T25 X 882, 3-15"
18	15187600	1	NOZ.TUBE-SS, T25 X 1263, 4-15"
19	15276200	1	NOZ.TUBE-SS, T25 X 552, 2-17"
20	15276300	1	NOZ.TUBE-SS, T25 X 984, 3-17"
21	15276400	1	NOZ.TUBE-SS, T25 X 1416, 4-17"
22	16162503	1	BRACKET,NOZZLE OFFSET,R,BLACK
23	16163003	1	BRACKET,NOZZLE OFFSET,L,BLACK
24	16380800	1	BRACKET, NOZZLE DUMMY, T25
25	17015503	1	FLAT BAR, 1/8"X 1", L=60
26	24263000	1	O-RING Ø24.4 X 3.1 NITRIL SH70
27	28025103	1	TIE STRAP L=21" x W=3/8"
28	32239300	1	FITT.DK CAP T25
29	32239700	1	FITT.DK NUT T25
30	33487300	1	NOZZLE HOLDER - BOTTOM HALF
31	33515500	1	FITT.DK NUT LOCK RING T25
32	33517900	1	SOCKET F. PIPE HOLDER
33	33518000	1	PIPE HOLDER BETWEEN Ø25
34	33518100	1	PIPE HOLDER TOP Ø25
35	33520200	1	LOCK F. T25 BRACKET
36	34153800	1	CABLE TRAY EL/HY, L=2855
36	34154100	1	CABLE TRAY EL/HY, L=5400
37	34154200	1	CABLE TRAY COVER, L=2855
37	34154500	1	CABLE TRAY COVER, L=5400
38	39134800	1	NOZZLE TUBE DUMMY BRACKET T25
39	74008203	1	CLAMP & INSULATOR 100X60 (QTY.10)
39	74008303	1	CLAMP & INSULATOR 80X60 MM (QTY.10)
39	74008403	1	CLAMP & INSULATOR 80X60 MM (QTY.5)

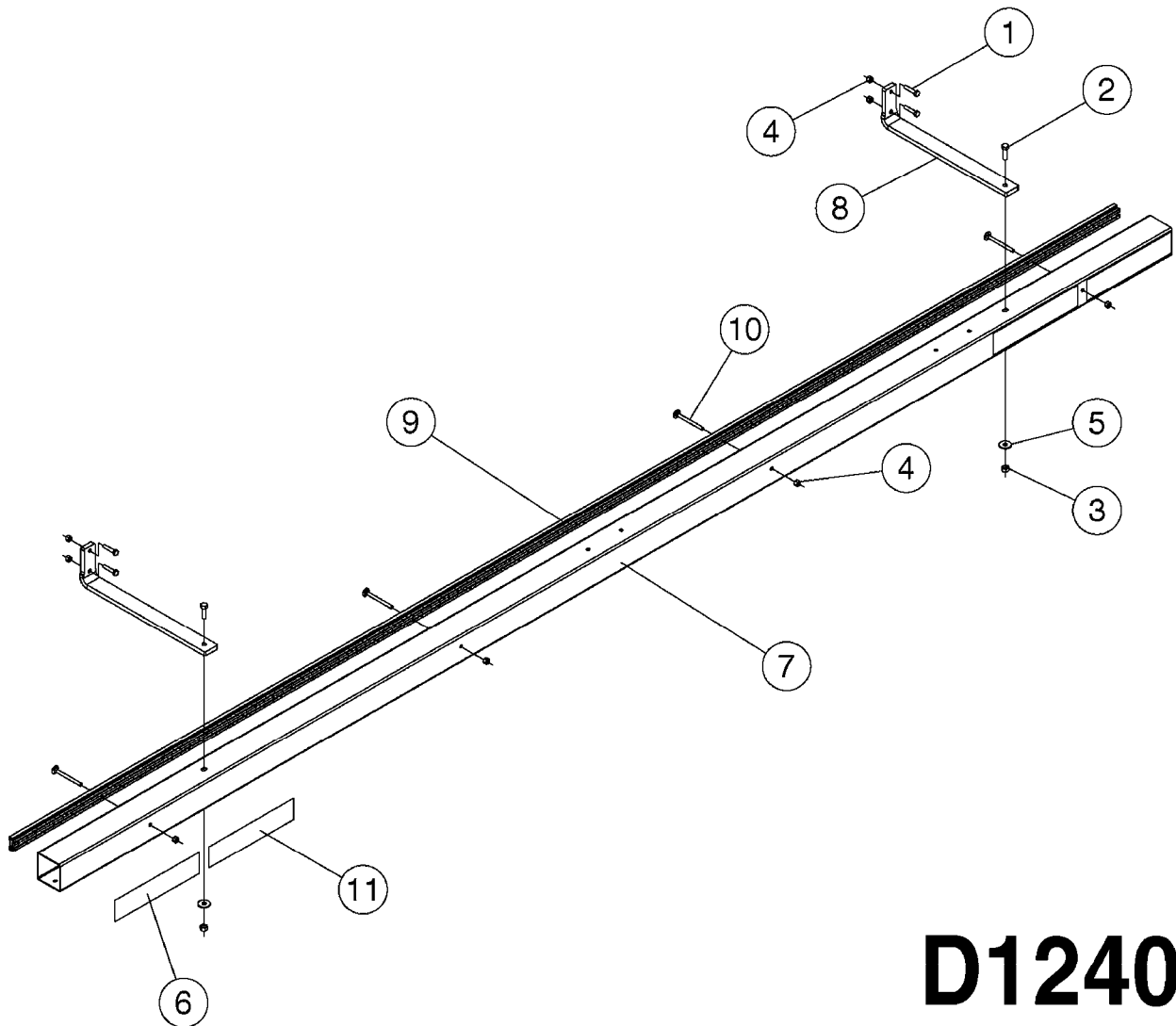


NOZZLE TUBES - STNLS STEEL T25  
D1150-HIN, 01:03:18

Page 2

Date 12.08.2020 8:20

Pos.	parts-n°	order qty	description
39	74008503	1	CLAMP & INSULATOR 50X50 MM (QTY.10)
39	74008603	1	CLAMP & INSULATOR 50X50 MM (QTY.5)
39	74008703	1	CLAMP & INSULATOR 30X50 MM (QTY.10)
39	74008803	1	CLAMP & INSULATOR 30X50 MM (QTY.5)
40	74008903	1	NOZZLE HOLDER COMPLETE (QTY.10)
40	74009003	1	NOZZLE HOLDER COMPLETE (QTY.5)



**D1240**



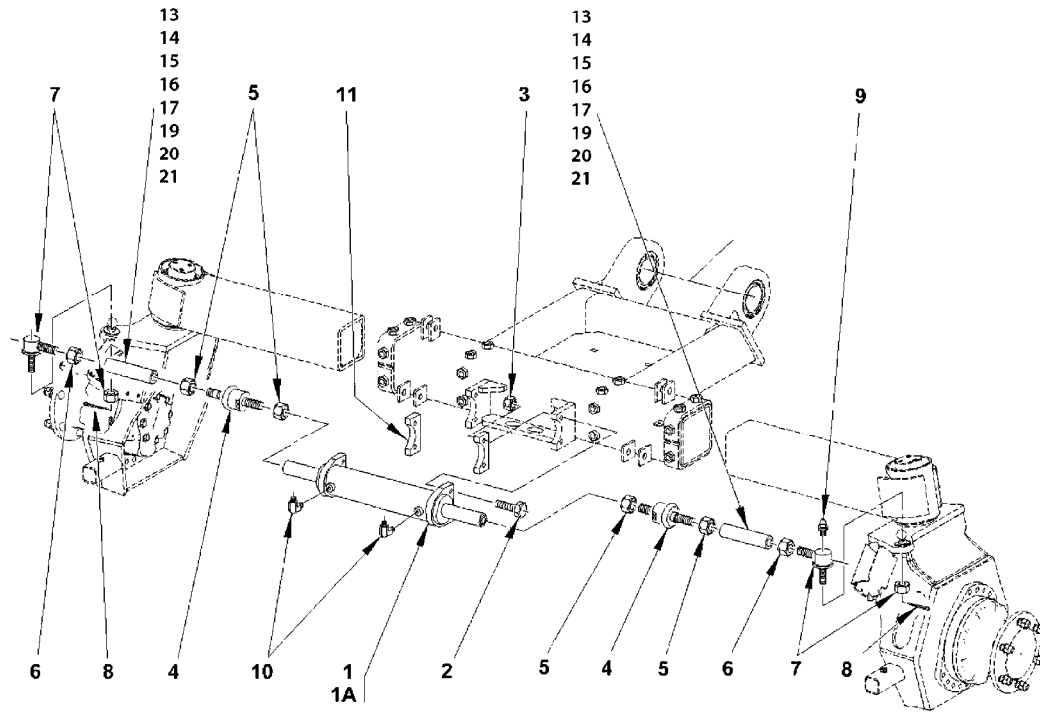


SPC BOOM CENTER TRACK 2017  
D1240-HIN, 26:09:19

Page 1

Date 12.08.2020 8:20

Pos.	parts-n°	order qty	description
1	410686	1	BOLT HEX 8.8 DEL M6X30
2	421046	1	BOLT HEX M8X25/25 A2 SS DIN933
3	460143	1	LOCK NUT M8 SST A2 DIN985
4	460261	1	NUT HEX M6X1.00 LOCK DIN985 A2 SS
5	471132	1	WASHER D24/D8.4 X 2 SS
6	10533803	1	DECAL REFLECTIVE RED 50X230
7	15061703	1	CENTER TRACK, SPC, 2017, RED
8	16239603	1	BUMPER MT BRKT, SPC, 2017, RED
9	19489800	1	ALUPROFILE 30X10 L=3.00 M
10	44074700	1	BOLT, CARRIAGE, M6X80 DIN603 SS
11	97619903	1	DECAL FLUORESCENT ORANGE 50X230



**E702-HAU**

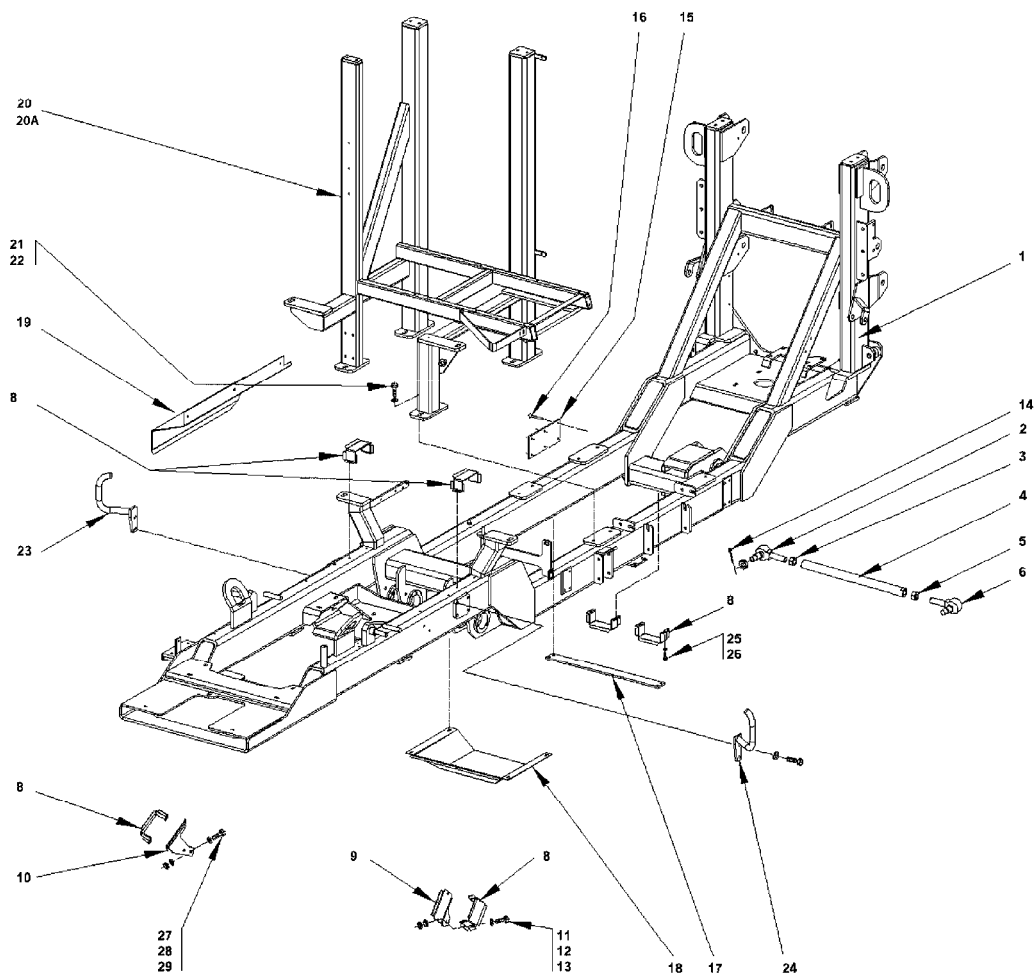


2 WHEEL STEERING MECH. SYSTEM  
E702-HAU, 18:07:17

Page 1

Date 12.08.2020 8:20

Pos.	parts-n°	order qty	description
1	PR-HV0071	1	JACK OF STEERING DE40X80/C2*135
1A	PR-HV4015	1	SEAL KIT CYLINDER DIRECT UTL 3000
2	PR-DB2142014080	1	M14 SOCKET HEAD BOLT L=80 GRADE12.9 ZP
3	PR-DB8422014	1	RING NYLON NUT M14-Zn
4	PR-DA0032	1	TIP JACK TEERING CYLINDER 24x150
5	PR-DB8122024150	1	NUT Hu M24x150 S300-Zn TH=18mm, right thread
6	PR-DB8122024150G	1	NUT Hu M24x150 S300-Zn TH=18mm, left thread
7	PR-DA0007	1	BALL 30 G. M24x150 Cone 22%
8	PR-DL1402040040	1	COTTER PIN 4X 40-Zn
9	PR-DD0122	1	GREASE PLUG BLACK
10	PR-HR0134	1	HYDRAULIC CONNECTION ELBOW MJ1 / 2-MG3
11	PR-FEPR25310-22	1	CYLINDER BLOCK MANAGEMENT PR2540
13	PR-FTPR32026	1	STEERING SHAFT (Unit specific)
14	PR-FTPR32027	1	STEERING SHAFT (Unit specific)
15	PR-FTPR32028	1	STEERING SHAFT (Unit specific)
16	PR-FTPR32029	1	TIE ROD, L=715MM, 120'' TRACK, PRESIDIO
17	PR-FTPR32030	1	STEERING SHAFT (Unit specific)
18	PR-FTPR32031	1	TIE ROD, L=635MM, F.110'' AXLE SPACING, PR
19	PR-FTPR32052	1	STEERING SHAFT (Unit specific)
20	PR-FTPR32053	1	STEERING SHAFT (Unit specific)
21	PR-FTPR32097	1	TIE ROD, L=480MM, F.?'' AXLE SPACING, PR



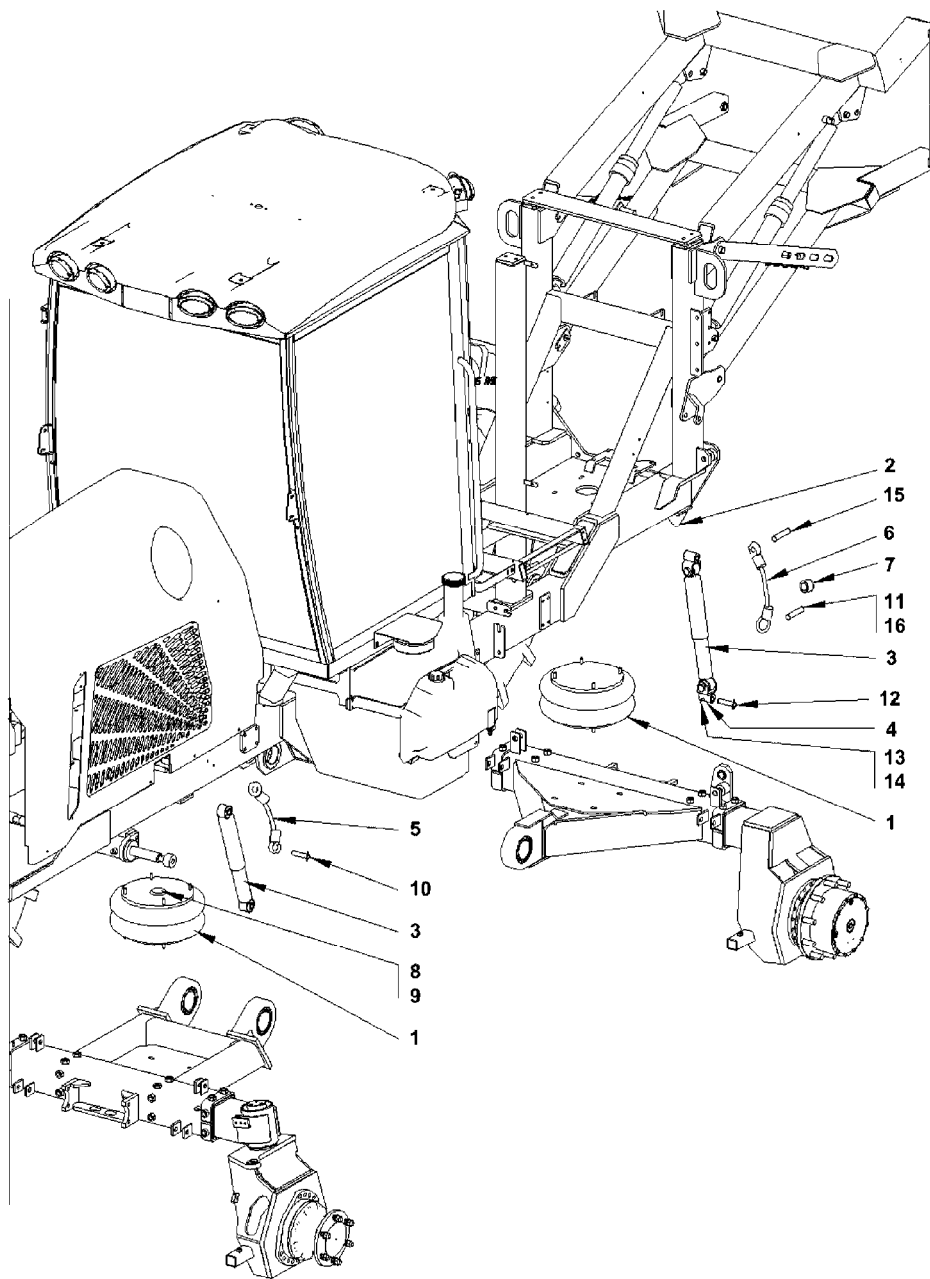
**E703-HAU**



PRESIDIO FRAME TANK SUPPORT  
E703-HAU, 11:01:16

Page 1  
Date 12.08.2020 8:20

Pos.	parts-n°	order qty	description
1	PR-FEPR25101	1	CHASSIS COMPLETE PR2540 HARDI
2	PR-DA0023	1	TIE ROD END 40, M24x150, CONE 30%
3	PR-DB8122024150	1	NUT Hu M24x150 S300-Zn TH=18mm, right thread
4	PR-FTPR32021	1	TIE ROD, L=570MM, PANHARD ROD, REAR, PRESIDIO
5	PR-DB8122024150G	1	NUT Hu M24x150 S300-Zn TH=18mm, left thread
6	PR-DA0022	1	TIE ROD END 40, M24x150, LEFT THREAD CONE 30%
7	PR-DD0122	1	GREASE PLUG BLACK
8	PR-FEPR32013	1	FLEXIBLE COVER PR3240
9	PR-FEPR32011	1	LEFT HOSE SUPPORT PR3240
10	PR-FEPR32012	1	RIGHT HOSE SUPPORT PR3240
11	PR-DB2044005025	1	SCREW CHC Stainless M 5X 25
12	PR-DS1104005	1	WASHER M 5125-INOX A2
13	PR-DB8444005	1	RING NYLON NUT M 5 INOX
14	PR-DL1402040040	1	COTTER PIN 4X 40-Zn
15	PR-CA9998	1	MOUNT PLATE
16	PR-DB3030	1	RIVET DIAM 4 L16 ALU
17	PR-FEPR25040	1	FLAT FLEXIBLE SUPPORT PR2540
18	PR-FEPR25047	1	CARTER PROTECTION UNDER FRAME
19	PR-FEPR32116	1	PLATE RIGHT CABIN PR3240
20	PR-FEPR25600	1	RINCE TANK FRAME
20A	PR-FEPR25601	1	RINCE TANK FRAME
21	PR-DB1044012030	1	SCREW M12x30 SS
22	PR-DS1504012	1	WASHER DECOL. M12x27x2 0.5-Inox
23	PR-FEPR25070	1	FLEXIBLE DEFLECTOR RIGHT
24	PR-FEPR25071	1	FLEXIBLE DEFLECTOR LEFT
25	PR-DB1044006020	1	HM 6x20 SCREW INOX
26	PR-DS1504006	1	WASHER DECOL. 0.2 M 6x14x1-Inox
27	PR-DB1044010030	1	SCREW M10x30 SS
28	PR-DS1504010	1	WASHER DECOL. M10x22x2-Inox
29	PR-DB8444010	1	STAINLESS STEEL RING NUT NYLON M10



**E705-HAU**



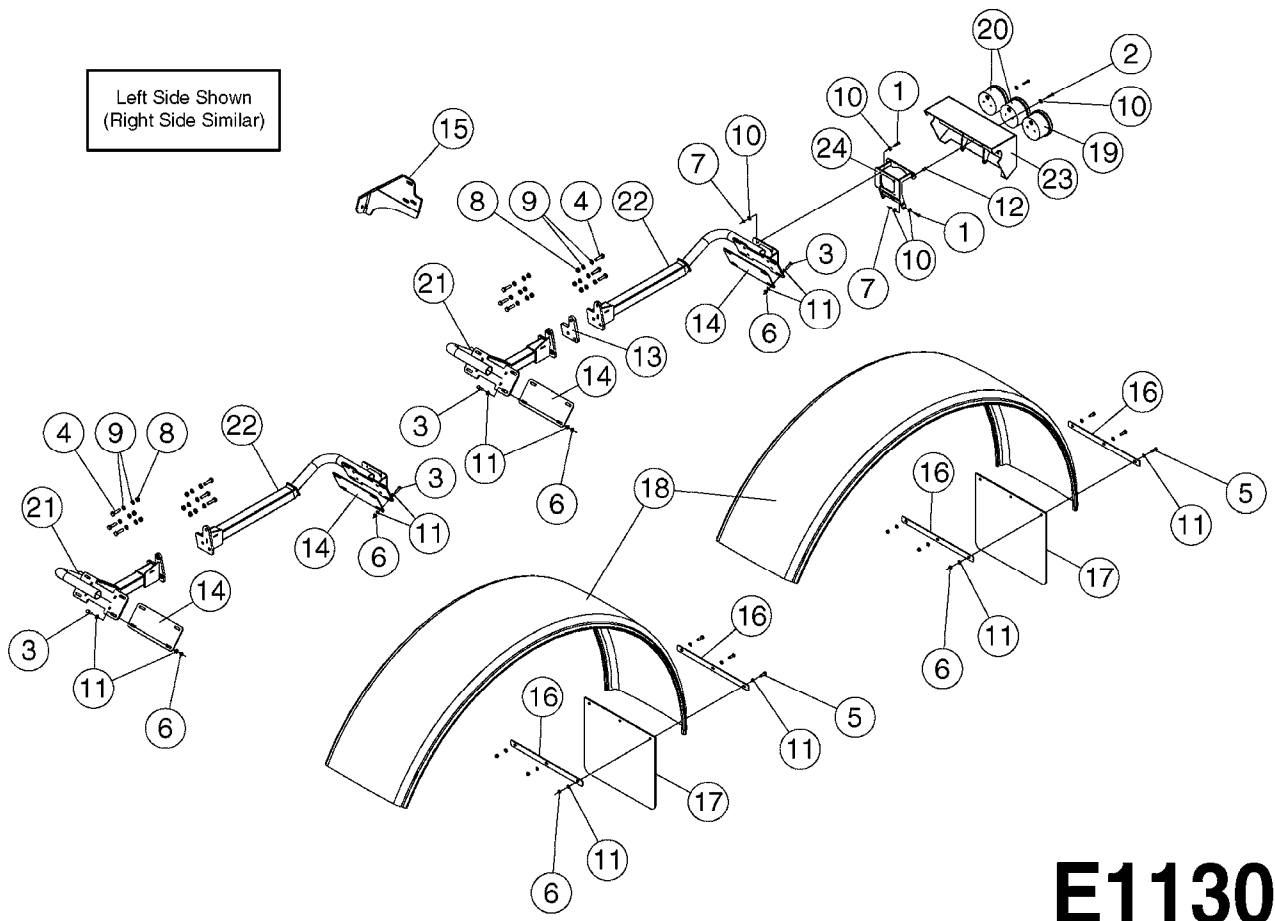
PRESIDIO SUSPENSION  
E705-HAU, 11:01:16

Page 1  
Date 12.08.2020 8:20

Pos.	parts-n°	order qty	description
1	PR-PX0024	1	BELLOWS 16x2
2	PR-DD0008	1	STOP, RUBBER, CONICAL SHAPE (512951)
3	PR-DD0109	1	SHOCK ABSORBER, PRESIDIO
4	PR-FEPR32007	1	SUPPORT REAR SHOCK
5	PR-DT0027	1	CABLE Ø14 L=450
6	PR-DT0026	1	SLING CABLE 7x19 DIAN 14 FINAL
7	PR-FTPR42010	1	CABLE RING PR4240
8	PR-PR0056	1	TIRE ELBOW FITTING
9	PR-PR0058	1	ADAPTER 1/2 - 1/4 GEF
10	PR-FTPR32041	1	PIN Ø20 L=67MM
11	PR-FTPR32048	1	PIN Ø22, L=116
12	PR-FTPR32038	1	PIN GG Ø20 L=105
13	PR-DG0015	1	GREASE FITTING
14	PR-DD0122	1	GREASE PLUG BLACK
15	PR-FTPR32040	1	PIN GG Ø22 L=87
16	PR-FTPR32039	1	PIN, D22, L74, PRESIDIO



Left Side Shown  
(Right Side Similar)



**E1130**





PRESIDIO MUDGUARDS  
E1130-HIN, 22:06:16

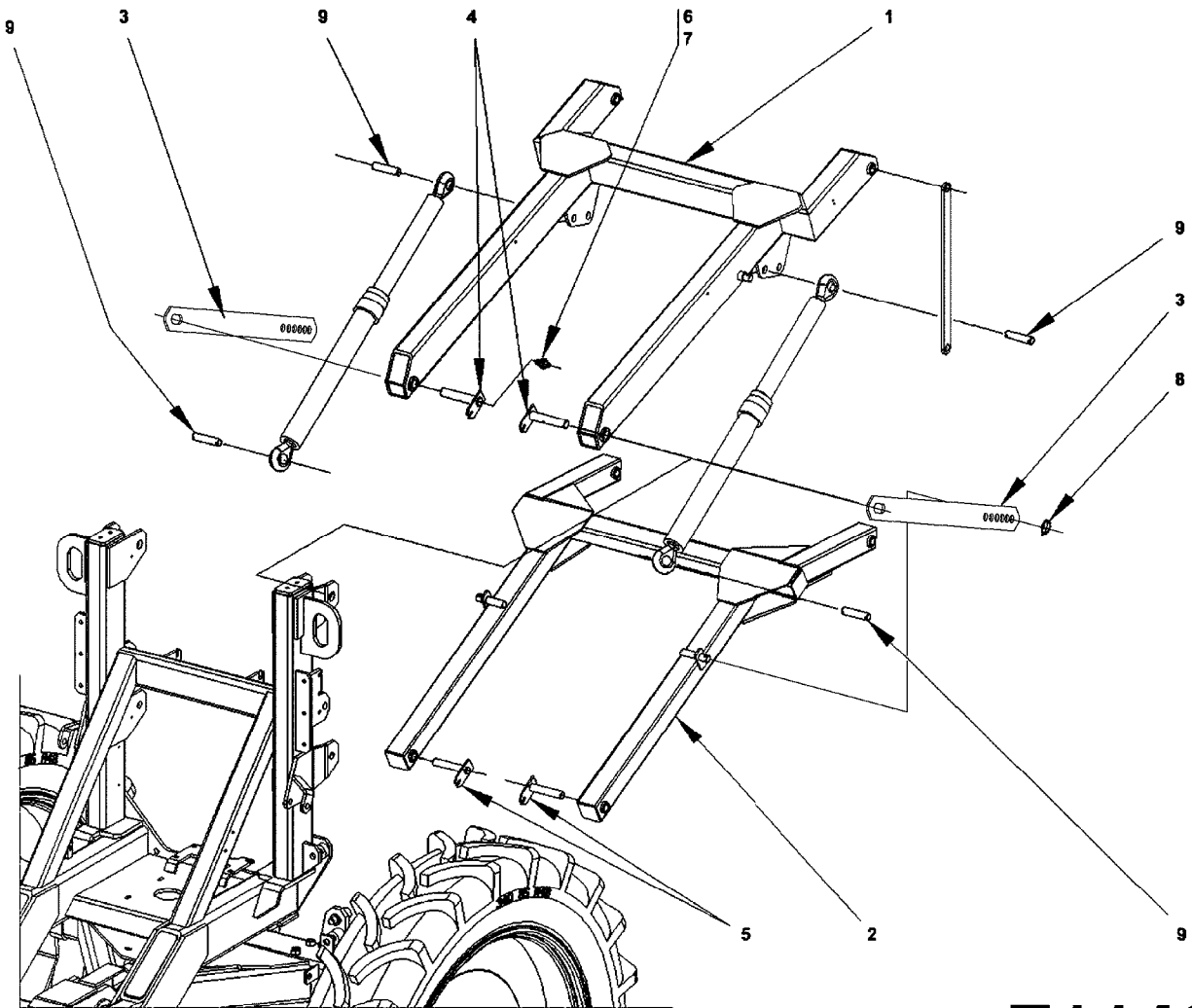
Page 1  
Date 12.08.2020 8:20

Pos.	parts-n°	order qty	description
1	410362	1	BOLT HEX 8.8 SS M6X20
2	410686	1	BOLT HEX 8.8 DEL M6X30
3	420567	1	BOLT HEX 8.8 DEL M8X30 FT
4	420965	1	M10X40 MACHINE SCREW STAINLESS
5	421046	1	BOLT HEX M8X25/25 A2 SS DIN933
6	460143	1	LOCK NUT M8 SST A2 DIN985
7	460261	1	NUT HEX M6X1.00 LOCK DIN985 A2 SS
8	460423	1	NUT HEX M10X1.50 LOCK DIN985A2 SS
9	471122	1	WASHER, M10, Ø20/10.5X 2.0, SS
10	471124	1	WASHER, M6, Ø18/ 6.4X 1.6, SS
11	471126	1	WASHER, M8, Ø16/ 8.4X 1.6, SS
12	480811	1	BLIND FASTENER M6 STAINLESS
13	16168803	1	PLATE, FLAT, 1/2", 128x104, PR
13	16182503	1	SPACER SPEED SENSOR BRACKET, PR ONLY W/SPEED SENSOR BRACKET
14	16168903	1	PLATE, FLAT, 1/8", 285x120, PR
15	16182303	1	BRACKET, SPEED SENSOR, PR
16	16183003	1	PLATE, MUD FLAP, PR
17	24003403	1	MUDFLAP, 450 WIDE, HARDI
18	24004801	1	MUDGUARD 150° L510
19	26011901	1	REAR TURN SIGNAL, ORANGE LED
20	26012001	1	REAR LIGHT STOP/POSITION RED LED
21	63041103	1	MUDGUARD BRACKET, FRONT LEFT, PR
21	63041203	1	MUDGUARD BRACKET, FRONT RIGHT, PR
22	63041303	1	MUDGUARD BRACKET, REAR LEFT, PR
22	63041403	1	MUDGUARD BRACKET, REAR RIGHT, PR
23	63042303	1	TAIL LIGHT BRACKET, REAR, PR
24	63042403	1	TAIL LIGHT SUPPORT, REAR, PR



PRESIDIO PARALIFT  
E1140-HIN, 23:06:16

Page	0
Date	12.08.2020 8:20



**E1140**

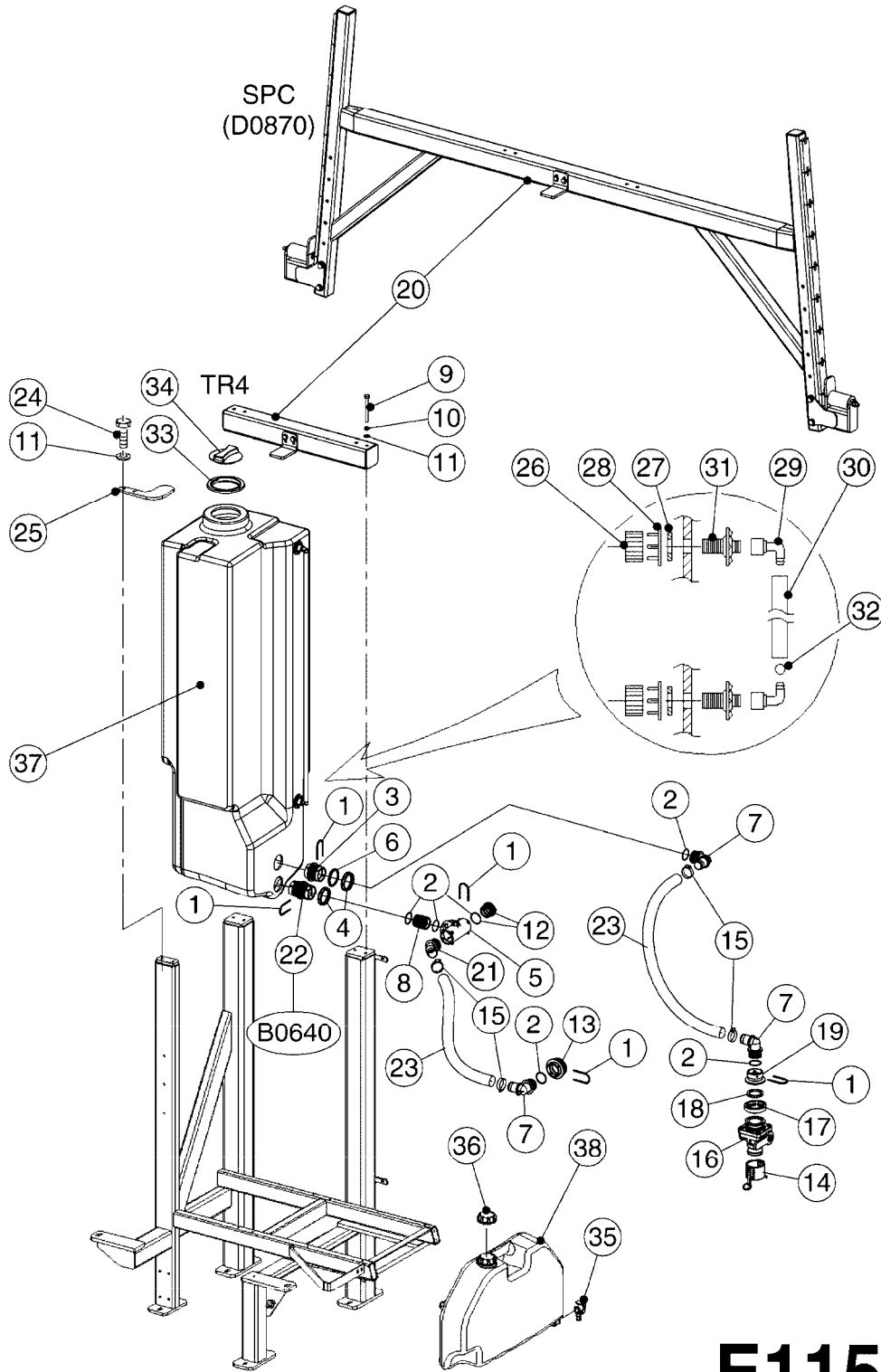


PRESIDIO PARALIFT  
E1140-HIN, 23:06:16

Page 1

Date 12.08.2020 8:20

Pos.	parts-n°	order qty	description
1	PR-FEPR25501	1	UPPER PARALIFT ARM PRESIDIO
2	PR-FEPR25511	1	LOWER PARALIFT ARM PRESIDIO
3	16179203	1	TRANSPORT LOCK, PRESIDIO
4	PR-FEPR32002	1	PIN PARALIFT Ø30 PRESIDIO
5	PR-FEPR32003	1	PIN PARALIFT Ø25 PRESIDIO
6	PR-DG0016	1	GREASE ELBOW 90 °
7	PR-DD0122	1	GREASE PLUG BLACK
8	PR-DL1702080040	1	CLIP PIN D8
9	PR-FTPR32042	1	PIN GG Ø25 L=106



**E1150**

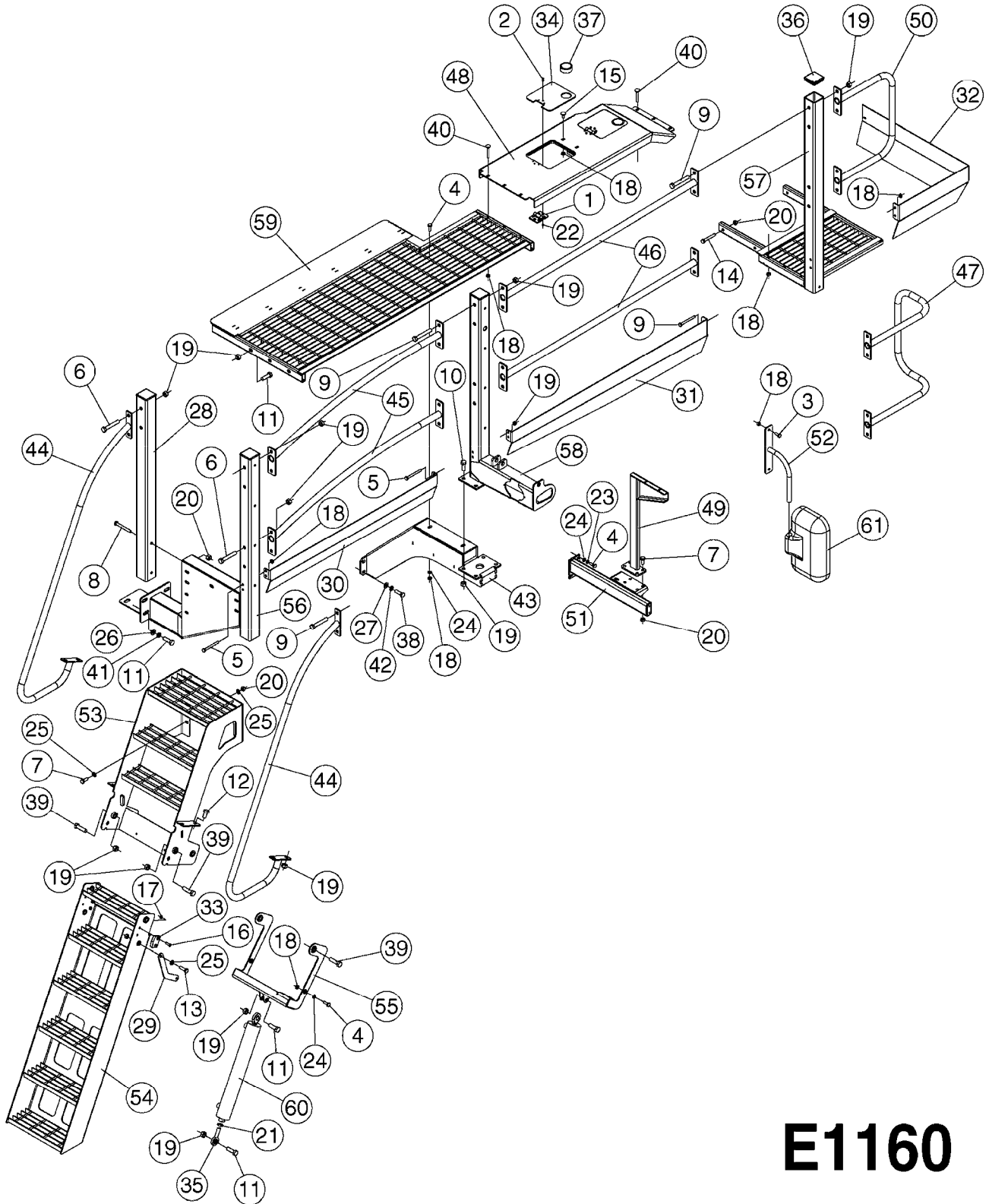


PRESIDIO RINSE TANK FRAME  
E1150-HIN, 30:06:20

Page 1

Date 12.08.2020 8:20

Pos.	parts-n°	order qty	description
1	145996	1	FITT.DK S-67 FORK
2	242353	1	O-RING 3 X 44.2 VITON
3	322104	1	FITT.DK S-67 BULKHEAD
4	322108	1	FITT.DK S-67 BULKHEAD NUT
5	322224	1	FITT.DK S-67 TEE
6	334261	1	GASKET F. S-67 BULKHEAD
7	334445	1	FITT.DK S-67 ELB.1-1/2"
8	334573	1	FITT.DK S-67 CONNECTOR
9	430892	1	BOLT HEX 8.8 DEL M12X110
10	470466	1	WASHER D21.1/D12.2X2.5 LOCK
11	471127	1	WASHER, M12, Ø24/13X24X2.5 SS
12	726579	1	FITT. S67 PLUG W/O-RING
13	728562	1	FITT.DK S-93 TO S67 ADAPTOR
14	10531003	1	CAP F.MALE QUICK COUPLER 2"
15	28030103	1	CLAMP HOSE GEAR P5/4-S1.5"6724
16	28034403	1	BALL VALVE BANJO 2" FLANGE
17	28034503	1	CLAMP F. 2" STD BANJO FLANGE
18	28034603	1	GASKET F. 2" FP BANJO FLANGE
19	39002003	1	FITT S67/2" FP BANJO FLANGE
20	70118103	1	TRANSPORT KIT, PRESIDIO 2700 USED WITH SPC BOOMS
20	70130903	1	TANK LOCK DOWN KIT, PRESIDIO 2700 USED WITH TR4 BOOMS
21	72433200	1	FITT.S67 1-1/2" 45°PVC W/O-RING USED WITH TR4 BOOMS
22	72819200	1	CHECK VALVE S67 2012 THREADED
23	92702603	1	HOSE PVC SUCT GRAY 1-1/2"
24	PR-DB1044012030	1	SCREW M12x30 SS
25	PR-FEPR25032	1	PLATE, LOCK, FRONT FLUSH TANK PR2540
26	PR-SX9001	1	TANK FITTING
27	PR-SX9002	1	LOCK
28	PR-SX9004	1	SEAL
29	PR-SX9009	1	ELBOW
30	PR-SX9010	1	HOSE CLEAR
31	PR-SX9011	1	TANK FITTING
32	PR-SX9012	1	INDICATOR BALL
33	PR-SX9205	1	LID HOUSING F.RINSE TANK PRESIDIO
34	PR-SX9206	1	LID F.RINSE TANK PRESIDIO
35	PR-SX9207	1	VALVE F.HAND WASH TANK PRESIDIO
36	PR-SX9209	1	LID F.HAND WASH TANK PRESIDIO
37	PR-TC0191H	1	RINSE TANK, 70 GAL, PRESIDIO
38	PR-TC0193C	1	HAND WASH TANK YELLOW



**E1160**



PRESIDIO PLATFORM  
E1160-HIN, 10:01:18

Page 1

Date 12.08.2020 8:20

Pos.	parts-n°	order qty	description
3	420604	1	BOLT HEX 8.8 DEL M10X25 FT DIN933
4	421002	1	BOLT HEX 8.8 DEL M10X30 FT DIN933
5	421061	1	BOLT HEX 8.8 DEL M10X100 DIN931
6	430264	1	BOLT HEX 8.8 DEL M16X100
1	288590	1	HINGE, SET OF 2, PLATFORM (55021.10)
2	410406	1	BOLT HEX 8.8 DEL M5X16 FT
7	430286	1	BOLT HEX 8.8 DEL M12X30 FT
8	430367	1	BOLT HEX 8.8 DEL M12X100 DIN931
9	430463	1	BOLT HEX 8.8 DEL M16X110
10	430581	1	BOLT HEX 8.8 DEL M16X40 FT
11	430637	1	BOLT HEX 8.8 DEL M16X50 FT
12	430684	1	BOLT HEX 8.8 DEL M16X30 FT
13	430721	1	BOLT HEX 8.8 DEL M12X40 FT
14	430846	1	BOLT HEX 8.8 DEL M12X80
15	440737	1	BOLT CARRIAGE M10x25 SS
16	458032	1	BOLT M8X30 8.8 DIN7991D SS
17	460143	1	LOCK NUT M8 SST A2 DIN985
18	460423	1	NUT HEX M10X1.50 LOCK DIN985A2 SS
19	460585	1	LOCKING NUT M16 DIN985 A2 SS
20	460703	1	NUT HEX M12X1.75 LOCK DIN985A2 SS
21	461198	1	NUT HEX M16X2 JAMB
22	461217	1	NUT HEX M5 LOCK
23	470127	1	WASHER D15D10X2 M10 LOCK
24	471122	1	WASHER, M10, Ø20/10.5X 2.0, SS
25	471127	1	WASHER, M12, Ø24/13X24X2.5 SS
26	471128	1	WASHER, M16, Ø30/17.0X 3.0, SS
27	471173	1	WASHER D28.0/15.0 X 2.5
28	15052903	1	HANDRAIL POST, FRNT MNT PLATFORM, PRESIDIO
29	16192703	1	LADDER FOLD ARM, FRNT MNT PLATFORM, PRESIDIO
30	16195403	1	KICK PLATE, FRONT, PRESIDIO
31	16195603	1	KICK PLATE, MID, PRESIDIO
32	16195803	1	KICK PLATE, BACK, PRESIDIO
33	16196603	1	LADDER STOP, FRNT MNT PLATFROM, PRESIDIO
34	16197203	1	HOLE COVER, FRNT MNT PLATFORM, PRESIDIO
35	21091900	1	LINK HEAD M16 x D17 DELTA
36	28064503	1	PLUG 3"X3" F. 3/16" WALL TUBE
37	28093303	1	FLUSH-PULL LATCH, BLACK POLYCARBONATE
38	43001403	1	BOLT HEX 8.8 DEL M14X45 FT
39	43001703	1	BOLT HEX 8.8 DEL M16X60
40	45000903	1	BOLT CARRIAGE M10X70 SS
41	47001003	1	WASHER D16.5/D26X3.5 LOCK
42	47001203	1	WASHER D14.7/24.1X2.8 LOCK
43	61021703	1	PLATFORM MID SUPPORT, FRNT MNT PLATFORM, PRESIDIO
44	61022103	1	HANDRAIL, LADDER, PRESIDIO
45	61022303	1	HANDRAIL, PLATFORM FRONT, PRESIDIO
46	61022503	1	HANDRAIL, PLATFORM MIDDLE, PRESIDIO
47	61022703	1	HANDRAIL, PLATFORM BACK, PRESIDIO USED WITH TR4 BOOMS
48	61022903	1	SECONDARY PLATFORM, FRNT MNT PLATFORM, PRESIDIO
49	61023103	1	SUPPORT, SECONDARY PLATFORM, PRESIDIO
50	61023503	1	HANDRAIL, STEEL BOOM, PRESIDIO USED WITH SPC BOOMS
51	61023703	1	SECONDARY SUPPORT MNT, PRESIDIO
52	61023903	1	MIRROR BRKT, SPC BOOM, PRESIDIO
53	63043703	1	LADDER MNT, FRNT MNT PLATFORM, PRESIDIO
54	63044103	1	LADDER, FRNT MNT PLATFORM, PRESIDIO
55	63044503	1	LADDER FOLD BRKT, FRNT MNT PLATFORM, PRESIDIO
56	63044703	1	FRNT PLATFORM BRKT, FRNT MNT PLATFORM, PRESIDIO
57	63044903	1	PLATFORM CORNER, FRNT MNT PLATFORM, PRESIDIO
58	63045203	1	L. TRANSPORT, FRNT MNT PLATFORM, PRESIDIO
59	63046103	1	MAIN PLATFORM, FRNT MNT PLATFORM, PRESIDIO



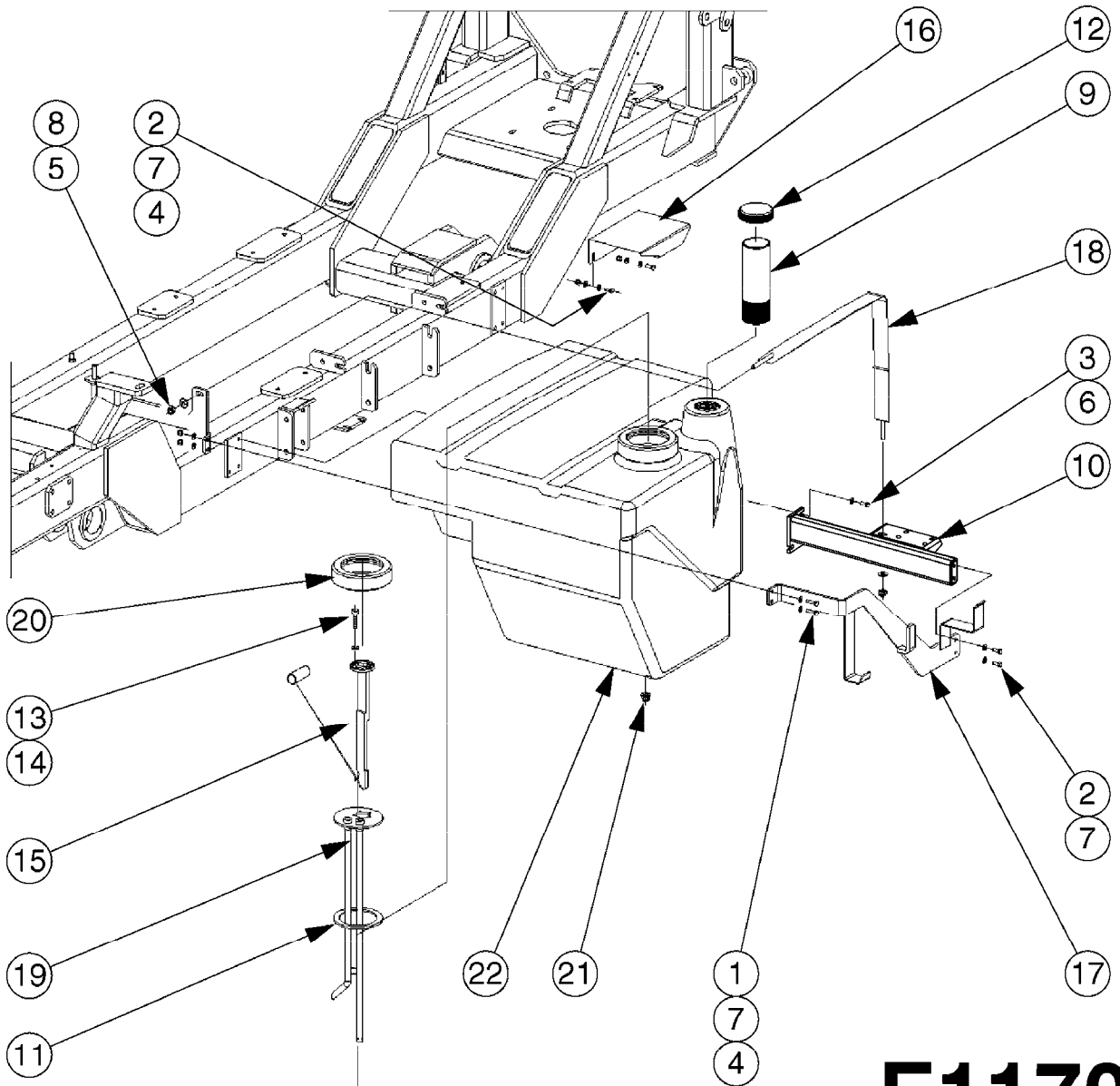
PRESIDIO PLATFORM  
E1160-HIN, 10:01:18

Page 2

Date 12.08.2020 8:20

Pos.	parts-n°	order qty	description
60	78103101	1	CYLINDER, 60/30, C410, LADDER, SARITOR
61	PR-CA0225	1	MIRROR ELECTRIC





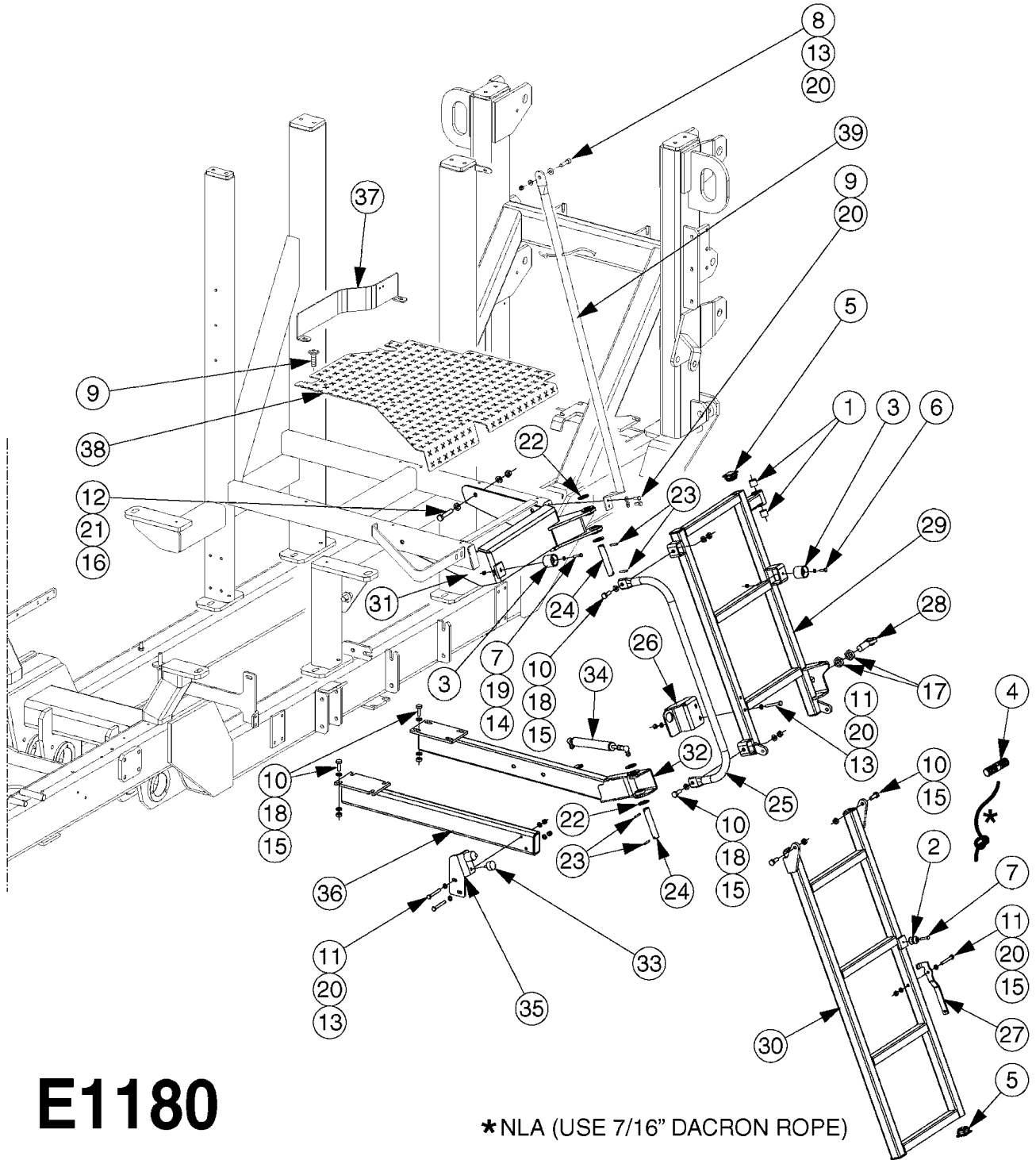
# E1170



PRESIDIO FUEL TANK ASSEMBLY  
E1170-HIN, 03:08:16

Page 1  
Date 12.08.2020 8:20

Pos.	parts-n°	order qty	description
1	420567	1	BOLT HEX 8.8 DEL M8X30 FT
2	420582	1	BOLT HEX 8.8 DEL M8X20 FT A2
3	420604	1	BOLT HEX 8.8 DEL M10X25 FT DIN933
4	460143	1	LOCK NUT M8 SST A2 DIN985
5	460703	1	NUT HEX M12X1.75 LOCK DIN985A2 SS
6	471122	1	WASHER, M10, Ø20/10.5X 2.0, SS
7	471126	1	WASHER, M8, Ø16/ 8.4X 1.6, SS
8	471127	1	WASHER, M12, Ø24/13X24X2.5 SS
9	14022203	1	FUEL TANK NECK, PRESIDIO USED WITH FRONT LADDER PLATFORM
9	PR-FTPR32016	1	FUEL TANK NECK/RISER L=240MM USED WITH SIDE LADDER PLATFORM
10	61023703	1	SECONDARY SUPPORT MNT, PRESIDIO
11	PR-BF0030	1	GASKET, FUEL TANK, PRESIDIO
12	PR-BF0035	1	FUEL TANK PLUG Ø88 M80x2
13	PR-DB2044005012	1	SCREW CHC Stainless M 5X 12
14	PR-DS1104005	1	WASHER M 5125-INOX A2
15	PR-EA0164	1	GAUGE LEVER ADJUSTABLE 150x600 MM
16	PR-FEPR25033	1	TANK COVER ON GO PR3240
17	PR-FEPR25046	1	LOCKING FUEL TANK
18	PR-FEPR25068	1	STRAP STEEL FUEL TANK PR2540
19	PR-FEPR32006	1	PLATE GAUGE DIESEL PR3240
20	PR-FTPR32014	1	PLUG GAUGE PR3240
21	PR-HR9992	1	BM CYL CAP 1/2 "
22	PR-TC0192	1	FUEL TANK 320L PR2540

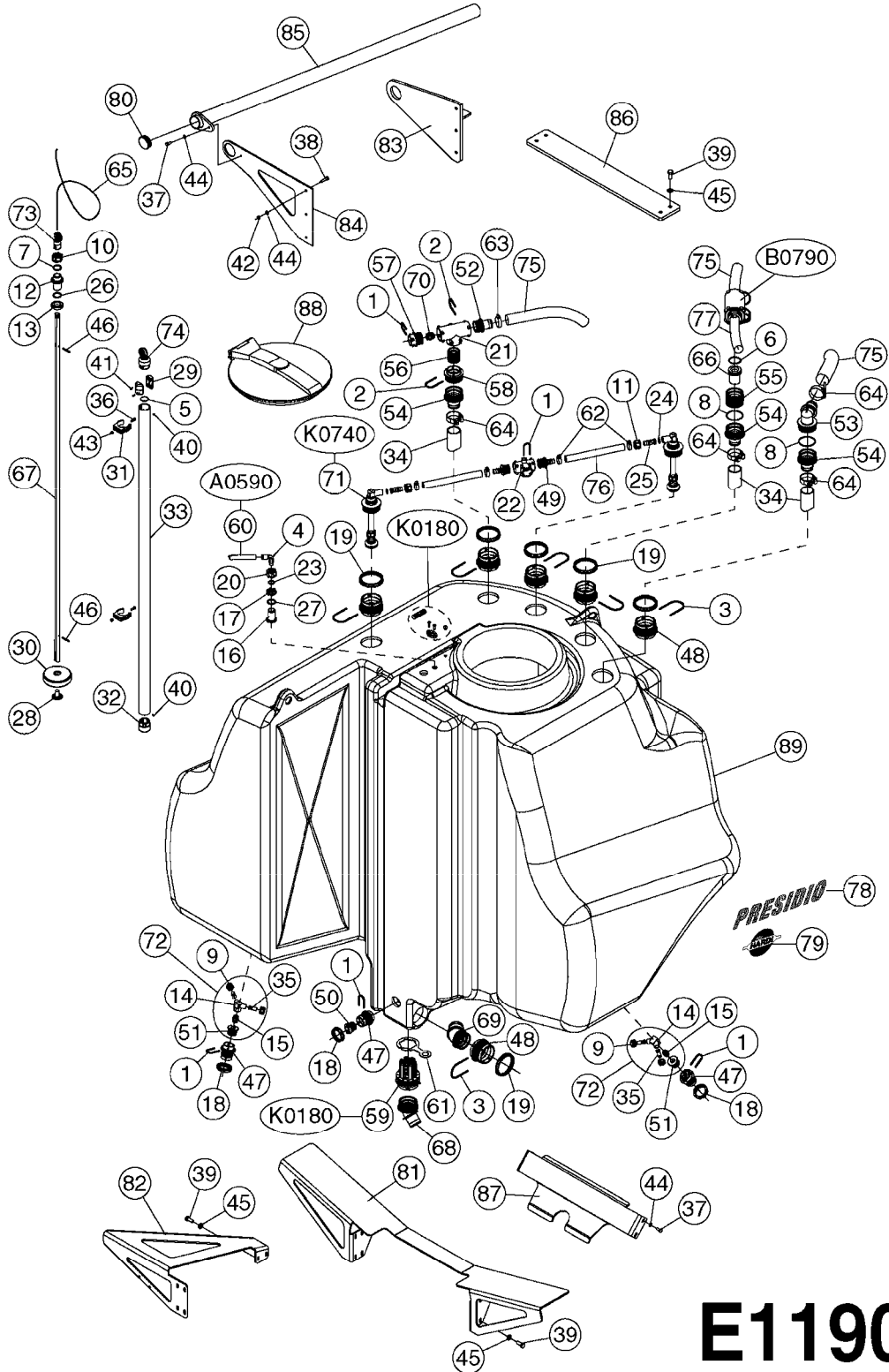




PRESIDIO SIDE LADDER  
E1180-HIN, 22:08:17

Page 1  
Date 12.08.2020 8:20

Pos.	parts-n°	order qty	description
1	210859	1	BUSH Ø23X20 L20
2	242567	1	DOOR STOP, MALE
3	242568	1	DOOR STOP, FEMALE
4	334472	1	HANDLE FOR TOP DRAIN
5	334571	1	PLUG 40x40x2 F.SQ.TUBE
6	410362	1	BOLT HEX 8.8 SS M6X20
7	410686	1	BOLT HEX 8.8 DEL M6X30
8	420567	1	BOLT HEX 8.8 DEL M8X30 FT
9	420641	1	BOLT HM 8X35/22 A2 SS DIN931
10	421002	1	BOLT HEX 8.8 DEL M10X30 FT DIN933
11	421024	1	BOLT HEX 8.8 DEL M8X60
12	430438	1	BOLT HEX 8.8 DEL M12X65
13	460143	1	LOCK NUT M8 SST A2 DIN985
14	460261	1	NUT HEX M6X1.00 LOCK DIN985 A2 SS
15	460423	1	NUT HEX M10X1.50 LOCK DIN985A2 SS
16	460703	1	NUT HEX M12X1.75 LOCK DIN985A2 SS
17	461200	1	NUT HEX M20X1.5 JAMB.
18	471122	1	WASHER, M10, Ø20/10.5X 2.0, SS
19	471125	1	WASHER M6U 6.4X14X1.2,A2 SS
20	471126	1	WASHER, M8, Ø16/ 8.4X 1.6, SS
21	471127	1	WASHER, M12, Ø24/13X24X2.5 SS
22	471129	1	WASHER, M20, Ø37/21.0X 3.0, SS
23	480730	1	SPRING DOWEL PIN 5X30 SST
24	14020803	1	PIN D19.8X109 W/2XD5, LADDER, PRESIDIO
25	15049303	1	LADDER, HANDLE, PRESIDIO
26	16179603	1	LADDER, LEFT BRACKET, PRESIDIO
27	16179703	1	LEVER, FOR CORD LADDER, PR
28	21092000	1	LINK HEAD M20 x D20 L=78 DELTA
29	63042503	1	LADDER, UPPER PART, PRESIDIO
30	63042603	1	LADDER, LOWER PART, PRESIDIO
31	63042703	1	LADDER, UPPER SUPPORT, PRESIDIO
32	63042803	1	LADDER, LOWER RIGHT SUPPORT, PRESIDIO
33	PR-DD0344	1	STOP RUBBER M8x27 Ø30 H15
34	PR-DD0432	1	GAS SPRING D10 C: 150 F: 400N
35	PR-FEPR25049	1	LADDER STOP BRACKET PRESIDIO
36	PR-FEPR25050	1	LADDER, LOWER LEFT SUPPORT, PRESIDIO
37	PR-FEPR25065	1	PLATFORM BACKSTOP PRESIDIO
38	PR-FEPR25067	1	SIDE PLATFORM PRESIDIO
39	PR-FEPR25079	1	HANDRAIL PRESIDIO



**E1190**



PRESIDIO MAIN TANK  
E1190-HIN, 23:08:18

Page 1  
Date 12.08.2020 8:20

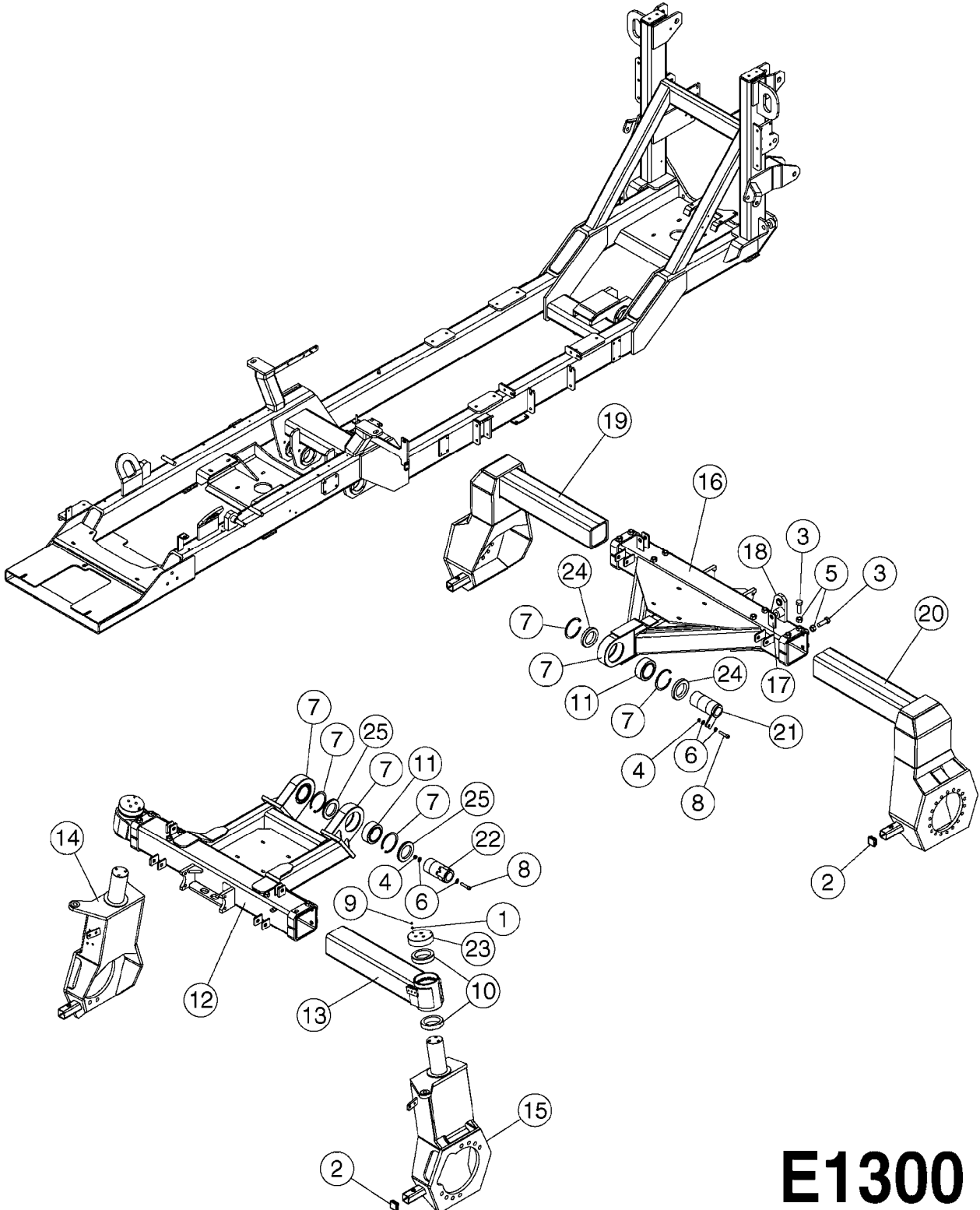
Pos.	parts-n°	order qty	description
1	145995	1	FITT.DK S-53 FORK
2	145996	1	FITT.DK S-67 FORK
3	145997	1	FITT.DK S-93 FORK
4	232150	1	HOSE CONN. 90DEG. 1/8'X8MM PE
5	242262	1	O-RING D31X3 VITON
6	242296	1	O-RING D51X3.5
7	242309	1	SEAL Ø22 ID Ø30 OD X 4 HIGH
8	242351	1	O-RING D69.5X3.0 VITON F.S-93
9	320084	1	FITT.DK NUT 1/2" BSP
10	320095	1	FITT.DK NUT 1" BSP
11	320283	1	FITT.DK NUT 3/4"BSP
12	320456	1	FITT.DK BULKHEAD 1"BSP DOUBLE
13	320471	1	FITT.DK NUT 1" BSP JAMB
14	320563	1	FITT.DK 3 WAY 1/2" 110 DEG.
15	320655	1	FITT.DK HN 1/2"-1/2" BSP
16	321296	1	FITT.DK BULKHEAD 1/2" BSP SING
17	321307	1	FITT.DK NUT 1/2" BSP JAMB
18	322107	1	FITT.DK S-53 BULKHEAD NUT
19	322109	1	FITT.DK S-93 BULKHEAD NUT
20	322170	1	FITT.DK NUT 1/2"x 1/8"F BSP
21	322224	1	FITT.DK S-67 TEE
22	322352	1	FITT.DK S-53 TEE
23	330212	1	O-RING D19/D14X2.4 F.1/2"NUT
24	330595	1	O-RING D24.6/D20X2.1 -3/4"
25	330691	1	FITT.DK HB 3/4'F.3/4' NUT
26	332577	1	O-RING D38/D30X4 F.1" PUR.
27	332592	1	O-RING D26/D20X3
28	333864	1	GUIDE F. SAFETY VALVE SPRING
29	334513	1	MARKER HALF SIGHT GAUGE
30	334515	1	FLOATER FOR LIQUID LEVEL
31	334523	1	PIPE HOLDER Ø51.5
32	334850	1	GUIDE F. SIGHT GAUGE TUBE TOP
33	341283	1	TUBE F.SIGHT GAUGE L=72"
33	97616203	1	DECAL S/G PRESIDIO 2700 (GAL)
33	97616303	1	DECAL S/G PRESIDIO 2700 (LITER)
34	341333	1	TUBE Ø57/Ø52 L=1500 BLACK PE
35	370495	1	NOZZLE INJECTOR 5066-3.0
36	410362	1	BOLT HEX 8.8 SS M6X20
37	420582	1	BOLT HEX 8.8 DEL M8X20 FT A2
38	420641	1	BOLT HM 8X35/22 A2 SS DIN931
39	430286	1	BOLT HEX 8.8 DEL M12X30 FT
40	440663	1	SCREW 3/8" NR4 STAINLESS
41	440667	1	SCREW M3.5X12 SLOT STAINLESS
42	460143	1	LOCK NUT M8 SST A2 DIN985
43	460261	1	NUT HEX M6X1.00 LOCK DIN985 A2 SS
44	471126	1	WASHER, M8, Ø16/ 8.4X 1.6, SS
45	471127	1	WASHER, M12, Ø24/13X24X2.5 SS
46	480717	1	PIN E 5X40 SST
47	726463	1	FITT.DK S53 BULKHEAD W/GASKET
48	726465	1	FITT.DK S-93 BULKHEAD W/GASKET
49	726558	1	FITT.DK S53 STR. 3/4" W.ORING
50	726578	1	FITT.DK S53 PLUG WITH O-RING
51	726694	1	PLUG,S53,1/2"FBSP THD W.ORING
52	727223	1	FITT.S67 1.5" STRAIT S W/ORING
53	727225	1	FITT.DK S-93 ELB.2'PVC W/ORING
54	727227	1	FITT.DK S-93 STR.2" W/ORING
55	728525	1	FITT. S93 CONNECTOR W/O-RINGS
56	728526	1	FITT.DK S-67 CONNECT W/O-RINGS
57	728561	1	FITT.DK. S67M - S53F REDUCER
58	728562	1	FITT.DK S-93 TO S67 ADAPTOR
59	730084	1	BOTTOM VALVE S93 2"RG-3M



PRESIDIO MAIN TANK  
E1190-HIN, 23:08:18

Page 2  
Date 12.08.2020 8:20

Pos.	parts-n°	order qty	description
60	927306	1	HOSE R X PE D8/D6 X 0012"BLACK
61	16135600	1	GUIDE FOR SIGHT GAUGE NAV/NCM
62	28029903	1	CLAMP HOSE GEAR P3/4"-S1" 6712
63	28030103	1	CLAMP HOSE GEAR P5/4-S1.5"6724
64	28030203	1	CLAMP HOSE T-BOLT S2" 235-67
65	28034100	1	CABLE F.LIQUID LEVEL IND. SS L=5M
66	39144000	1	VENTURI TUBE CM11
67	61036700	1	GUIDE TUBE F.FLOATER, L=1850, NV4000/CM4400
68	72072700	1	FITT.DK S-93 45D 2" PVC
69	72072900	1	FITT. S93 2-1/2" 45° S W/O-RING
70	72132600	1	CHECK VALVE SUBASSEMBLY S53
71	72358000	1	TANK RINSE LOW MOD.ASSMBLY NCM
72	72462900	1	S53 2X EJEKTORNOZZLE AGITATION
73	72776200	1	PULLEY FLOAT RETROFIT
74	72776400	1	PULLEY SIGHT GAUGE COMPLETE
75	92702603	1	HOSE PVC SUCT GRAY 1-1/2"
76	92703203	1	HOSE R X3/4" X300PSI WP X0012"
77	92712403	1	HOSE R X1" X300PSI WP X0012"
78	97616803	1	DECAL - PRESIDIO TANK LEFT
78	97616903	1	DECAL - PRESIDIO TANK RIGHT
79	97617003	1	DECAL - HARDI 3D LOGO F.TANK 335 X 210
80	PR-DD0422	1	ROUND BLACK PLASTIC CAP D.60
81	PR-FEPR25043	1	REAR SUPPORT TANK PR2540
82	PR-FEPR25044	1	TANK FRONT SUPPORT PR2540
83	PR-FEPR25051	1	REAR SUPPORT TUBE TANK
84	PR-FEPR25057	1	FRONT SUPPORT TUBE TANK
85	PR-FEPR25063	1	REINFORCEMENT TANK RIGHT PR2540
86	PR-FEPR32096	1	BRACKET REAR TANK PR3240
87	PR-FEPR32151	1	BRACKET REAR LOWER TANK
88	PR-SX0020	1	TANK LID, MAIN TANK, PR
88	PR-SX0020-01	1	SEAL F.TANK LID, MAIN TANK, PR
89	PR-TC0190H	1	MAIN TANK 700 GAL, PRESIDIO



**E1300**





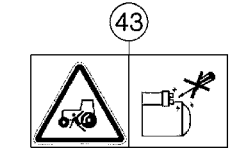
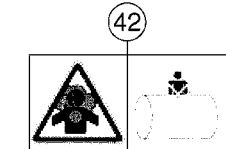
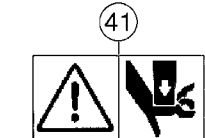
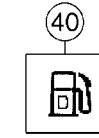
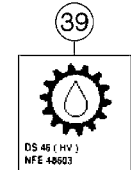
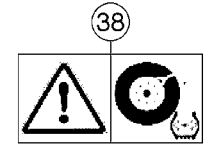
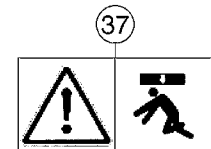
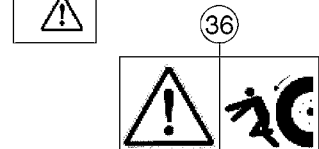
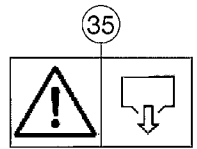
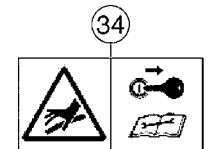
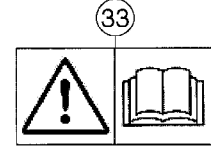
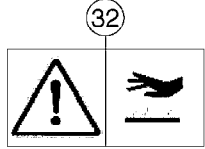
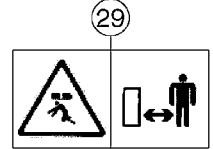
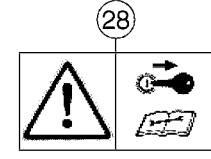
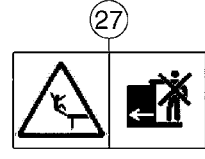
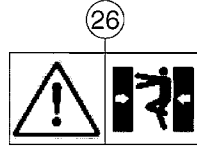
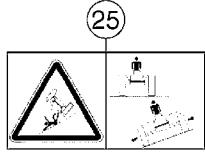
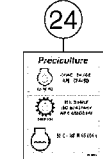
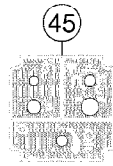
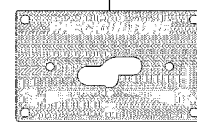
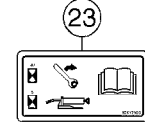
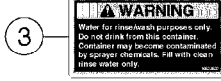
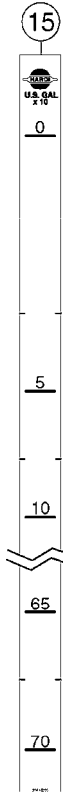
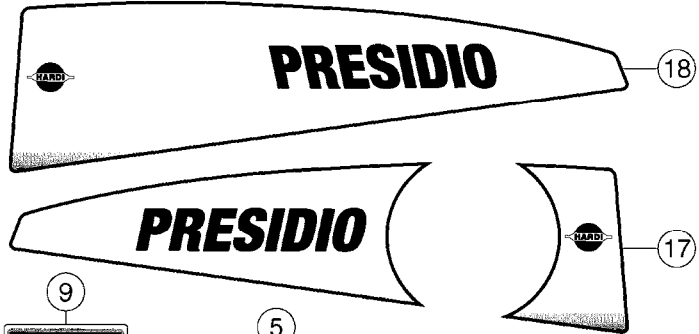
PRESIDIO VARIABLE TRACK  
E1300-HIN, 13:03:18

Page 1  
Date 12.08.2020 8:20

Pos.	parts-n°	order qty	description
1	288538	1	GREASE NIPPLE M8X1.25
2	334561	1	PLUG 50x50x2 F.SQ.TUBE
3	430977	1	BOLT HEX M20X60 DIN931-8.8.DEL
4	460703	1	NUT HEX M12X1.75 LOCK DIN985A2 SS
5	461228	1	NUT HEX M20
6	471127	1	WASHER, M12, Ø24/13X24X2.5 SS
7	PR-DA0038	1	BODY BALL 80 MM WITH RINGS
8	PR-DB1022008050	1	HM Class 8.8 M 8X 50 SCREW
8	PR-DB2142010050	1	SCREW CHC Class 12.9 M10X 50 Zn
9	PR-DD0122	1	GREASE PLUG BLACK
10	PR-DR0003	1	PR3240 PIVOT BEARING (32016)
11	PR-DR0211	1	BEARING DIAMETER 80MM
12	PR-FEPR25311	1	FRONT 200/270 PR2540
12	PR-FEPR25312	1	FRONT 250/305 PR2540
13	PR-FEPR25331	1	HALF CROSS FRONT Ø80 200-305
13	PR-FEPR25332	1	HALF AXLE FRONT 200 - 270
13	PR-FEPR25333	1	HALF CROSS FRONT Ø90 250-305
14	PR-FEPR25350	1	DROP LEG 1.05
14	PR-FEPR25351	1	DROP LEG 1.05
14	PR-FEPR25352	1	DROP LEG 1.05
14	PR-FEPR25353	1	LEG FRONT RIGHT Ø80, 1.50M
14	PR-FEPR25354	1	LEG 1
15	PR-FEPR25360	1	LEG FRONT LEFT Ø80, 1.05M PR2540
15	PR-FEPR25361	1	LEG FRONT RIGHT Ø80, 1.25M PR2540
15	PR-FEPR25362	1	LEG FRONT RIGHT Ø90. 1.40M PR2540
15	PR-FEPR25363	1	LEG FRONT LEFT Ø80, 1.25M
15	PR-FEPR25364	1	LEG 2
16	PR-FEPR25411	1	REAR 200/270 PR2540
16	PR-FEPR25412	1	REAR 250/305 PR2540
17	PR-FEPR2541X-F	1	SHOCK MOUNT - FRONT
18	PR-FEPR2541X-R	1	SHOCK MOUNT - REAR
19	PR-FEPR25451	1	LEG REAR RIGHT 200/270 1.05M
19	PR-FEPR25452	1	LEG REAR RIGHT 180/225 1.25M
19	PR-FEPR25453	1	LEG REAR RIGHT 200/270 1.25M
19	PR-FEPR25454	1	LEG REAR RIGHT 210/280 1.40M
19	PR-FEPR25456	1	LEG REAR RIGHT 250/305 1.40M
20	PR-FEPR25461	1	LEG LEFT REAR 200/270 1.05M
20	PR-FEPR25462	1	LEG LEFT REAR 180/225 1.25M
20	PR-FEPR25463	1	LEG LEFT REAR 200/270 1.25M
20	PR-FEPR25464	1	LEG 3
20	PR-FEPR25466	1	LEG LEFT REAR 250/305 1.40M
21	PR-FEPR32009	1	REAR TRAIN LINE L=185MM PR3240
22	PR-FEPR32010	1	FRONT TRAIN LINE L=165MM PR3240
23	PR-FT0037	1	PIVOT PIN CAP Ø80 UTL PR
24	PR-FTPR32023	1	REAR SEAL PR3240
25	PR-FTPR32054	1	FRONT SEAL PR3240 PR4240



DECALS - PRESIDIO  
K0156-HIN, 14:09:16



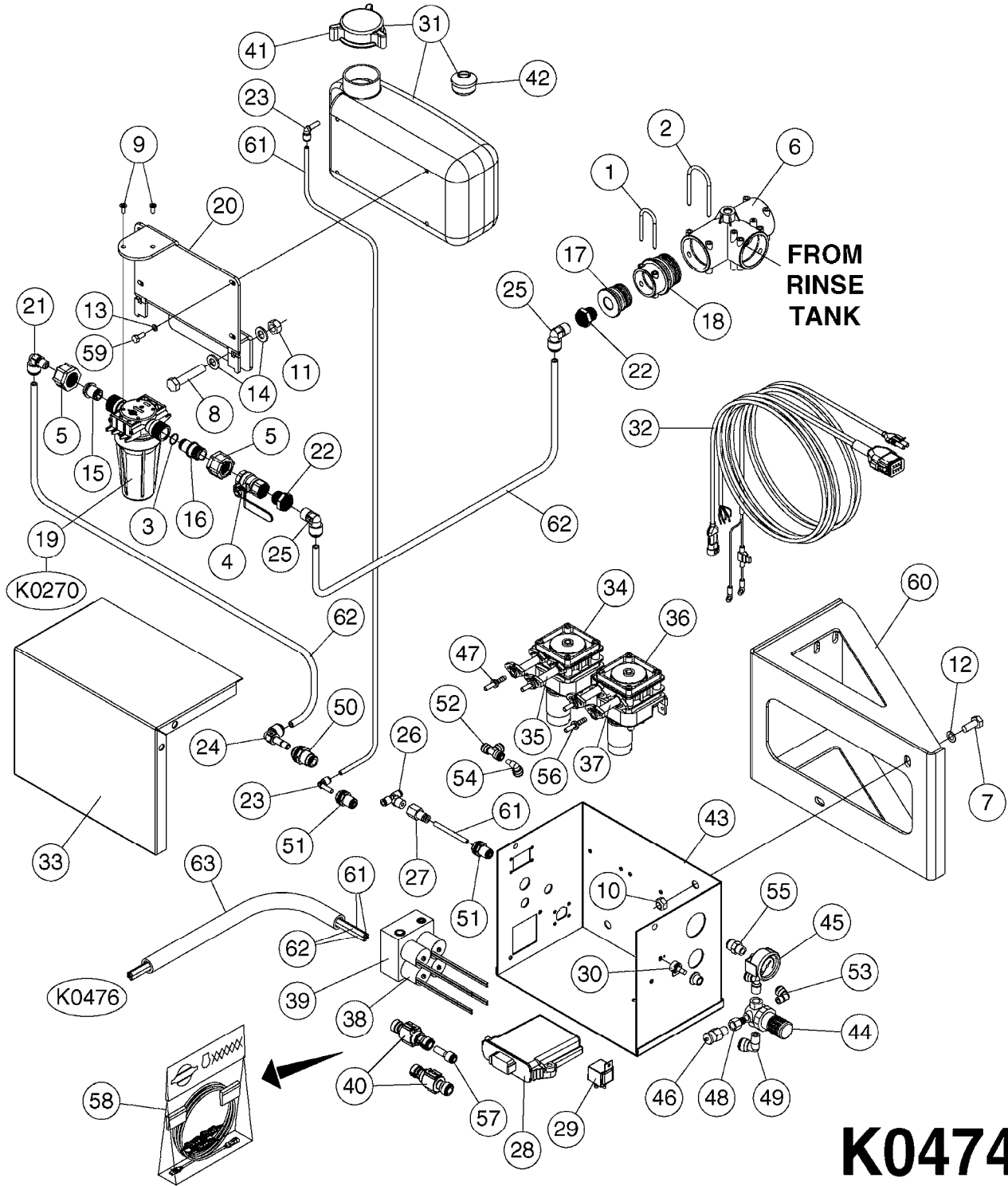
K0156



DECALS - PRESIDIO  
K0156-HIN, 14:09:16

Page 1  
Date 12.08.2020 8:20

Pos.	parts-n°	order qty	description
1	10521003	1	DECAL IMPORTANT MAINTAIN ENG.
2	10532503	1	DECAL WARNING-FLUID HAZ. ENG
3	10532603	1	DECAL WARNING-CLEAN WATER ENG
4	10532703	1	DECAL WARNING-CRUSH FING. ENG
5	10532803	1	DECAL WARNING-FOLD WINGS ENG
6	10532903	1	DECAL CAUTION-TANK DRAIN ENG
7	10533003	1	DECAL DANGER-OV.HEAD LINE ENG
8	10533103	1	DECAL CAUTION-GENR. LABEL ENG
9	10533203	1	DECAL WARNING-CHEMICALS ENG
10	10533303	1	DECAL CAUTION-LEAK Q.FILL ENG
11	10533403	1	DECAL DANGER-AXLE ADJUST ENG
12	10577603	1	DECAL 'DO NOT WELD' H.P. ENG.
13	10616103	1	DECAL 'DANGER-PARALIFT' ENG
14	97616103	1	DECAL- SPEED 25 MPH
15	97616203	1	DECAL S/G PRESIDIO 2700 (GAL)
16	97616303	1	DECAL S/G PRESIDIO 2700 (LITER)
17	97616603	1	DECAL - PRESIDIO HOOD LEFT
18	97616703	1	DECAL - PRESIDIO HOOD RIGHT
19	97616803	1	DECAL - PRESIDIO TANK LEFT
20	97616903	1	DECAL - PRESIDIO TANK RIGHT
21	97617003	1	DECAL - HARDI 3D LOGO F.TANK 335 X 210
22	97617503	1	DECAL - PRESIDIO CAB WINDOW
23	97617903	1	DECAL - MAINTENANCE BREAKAWAY
24	PR-DE0001	1	DECAL - LIQUID SERVICE
25	PR-DE0002	1	DECAL - ROLL RISK
26	PR-DE0003	1	DECAL - CRUSH HAZARD
27	PR-DE0004	1	DECAL - FALL HAZARD
28	PR-DE0006	1	DECAL - REMOVE IGNITION KEY
29	PR-DE0007	1	DECAL - MAINTAIN DISTANCE
30	PR-DE0008	1	DECAL - FAN BLADE/STEAM HAZARD
31	PR-DE0009	1	DECAL - USE HANDRAIL
32	PR-DE0010	1	DECAL - BURN HAZARD
33	PR-DE0011	1	DECAL - READ OPERATOR'S MANUAL
34	PR-DE0012	1	DECAL - HIGH PRESSURE
35	PR-DE0013	1	DECAL - DRAIN
36	PR-DE0014	1	DECAL - MOVING TIRE HAZARD
37	PR-DE0016	1	DECAL - CRUSH HAZARD
38	PR-DE0017	1	DECAL - TIGHTEN WHEEL
39	PR-DE0018	1	DECAL - OIL
40	PR-DE0019	1	DECAL - FUEL
41	PR-DE0070	1	DECAL - HAND CRUSH HAZARD
42	PR-DE0071	1	DECAL - NO TANK ENTRY
43	PR-DE0073	1	DECAL - NO STARTER BYPASS
44	PR-DE0154	1	DECAL - TRAVEL LEVER XX0300
45	PR-DE0157	1	DECAL - ENGINE THROTTLE



**K0474**



FOAM MARKER - RICHWAY SP  
K0474-HIN, 29:09:16

Page 1  
Date 12.08.2020 8:20

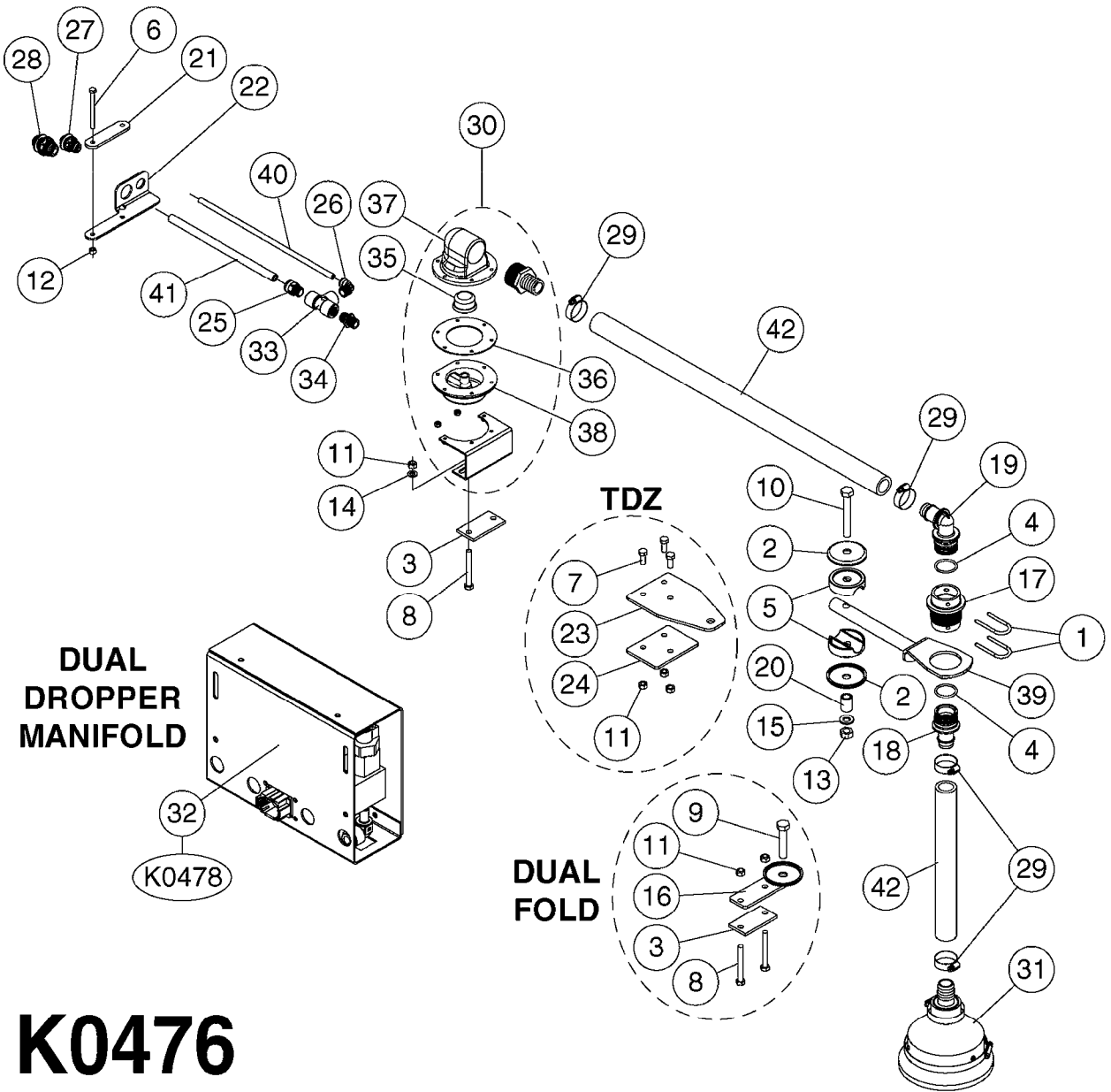
Pos.	parts-n°	order qty	description
1	145995	1	FITT.DK S-53 FORK
2	145996	1	FITT.DK S-67 FORK
3	242594	1	O-RING D14 X 1.78 SCH.70-EPDM
4	284227	1	BALL VALVE 1/2"FEMALE THREADS
5	320283	1	FITT.DK NUT 3/4"BSP
6	322224	1	FITT.DK S-67 TEE
7	420604	1	BOLT HEX 8.8 DEL M10X25 FT DIN933
8	430323	1	BOLT HEX 8.8 DEL M12X60
9	440673	1	SCREW F.PLASTIC 5X12 SS
10	460423	1	NUT HEX M10X1.50 LOCK DIN985A2 SS
11	460703	1	NUT HEX M12X1.75 LOCK DIN985A2 SS
12	470127	1	WASHER D15D10X2 M10 LOCK
13	470901	1	WASHER D11.8/D6.1X1.6 SS LOCK
14	471127	1	WASHER, M12, Ø24/13X24X2.5 SS
15	717426	1	FITT.DK REDUC 1/4"BSP F.3/4"N
16	720856	1	FITT.DK 1/2'BSP ASSY.F.3/4'NUT
17	726694	1	PLUG,S53,1/2"FBSP THD W.ORING
18	728561	1	FITT.DK. S67M - S53F REDUCER
19	845219	1	FILTER IN-LINE 3/4'80 MESH OML
20	16182903	1	BRACKET, FOAM CONCENTRATE TANK, PR
21	23004703	1	FITT, 1/4"NPT-3/8"90-PTC
22	23004803	1	FITT, 1/2"MPT-3/8"FPT REDUCER
23	23004903	1	FITT, 1/4"PLUG-IN-1/4"90-PTC
24	23005003	1	FITT, 3/8"PLUG-IN-3/8"90-PTC
25	23005103	1	FITT, 3/8"NPT-3/8"90-PTC
26	23007403	1	FITT, 1/4'' NPT M X 6MM TEE PTC
27	23007503	1	FITT, 1/4'' NPT F X 1/4'' STR PTC
28	26029503	1	MODULE, CONTROL, FOAM MARKER, RICHWAY
29	26029603	1	RELAY, 12VDC, RICHWAY
30	26029703	1	POTENTIOMETER, FOAM MARKER, RICHWAY
31	28064703	1	FOAM MARKER CONC. TANK,RICHWAY COMPLETE TANK ASSEMBLY
32	28064803	1	FOAM MARKER CONT.CABLE,RICHWAY
33	28086503	1	STEEL LID, FOAM MARKER, RICHWAY
34	28086603	1	WATER PUMP, FOAM MARKER, RICHWAY
35	28086703	1	1/4" PUMP TUBE, WATER, FOAM MARKER, RICHWAY
36	28086803	1	CONCENTRATE PUMP, FOAM MARKER, RICHWAY
37	28086903	1	1/8" PUMP TUBE, CONCENTRATE, FOAM MARKER, RICHWAY
38	28087003	1	2-WAY SOLENOID VALVE, FOAM MARKER, RICHWAY
39	28087103	1	RHD-VTD SOLENOID BLOCK, FOAM MARKER, RICHWAY
40	28087403	1	3/8" CHECK VALVE, FOAM MARKER, RICHWAY
41	28087603	1	1 GALLON TANK CAP, FOAM MARKER, RICHWAY INCLUDED WITH TANK ASSEMBLY
42	28087703	1	1 GALLON TANK SCREEN, FOAM MARKER, RICHWAY INCLUDED WITH TANK ASSEMBLY
43	28088703	1	STEEL BODY, SP FOAM MARKER, RICHWAY
44	28088803	1	AIR REGULATOR, FOAM MARKER, RICHWAY
45	28088903	1	GAUGE 0-30 PSI, RICHWAY
46	28089003	1	PRESSURE RELIEF VALVE, 20 PSI, RICHWAY
47	28094103	1	FITT.1/4" STEM X 1/4" HOSE BARB
48	28095603	1	1/8"M X 1/4"F REDUCER
49	28095703	1	1/4"M X 3/8"T ELBOW
50	28095803	1	3/8"T BULKHEAD
51	28095903	1	1/4"T BULKHEAD
52	28096003	1	1/4"T TEE
53	28096103	1	1/8"M X 1/4"T ELBOW
54	28096203	1	1/4" STEM X 1/4"T ELBOW
55	28096303	1	1/8"F X 1/4"T STRAIGHT
56	28096403	1	1/4" STEM X 3/16" HB
57	28096503	1	3/8" STEM X 1/4"T



FOAM MARKER - RICHWAY SP  
K0474-HIN, 29:09:16

Page 2  
Date 12.08.2020 8:20

Pos.	parts-n°	order qty	description
58	28097203	1	POWER UNIT HARNESS, RICHWAY SP
59	41000603	1	INSIDE WIRING HARNESS COMPLETE
60	61019303	1	BOLT HEX 1/4"X1/2" SS
61	92703303	1	RICHWAY, COMPRESSOR, BRACKET, PR
62	92703403	1	PRESIDIO ONLY
63	92712403	1	HOSE LLDPE .25"X.17"X12" BLACK
		1	HOSE LLDPE .38"X.25"X12" BLACK
		1	HOSE R X1" X300PSI WP X0012"



**K0476**

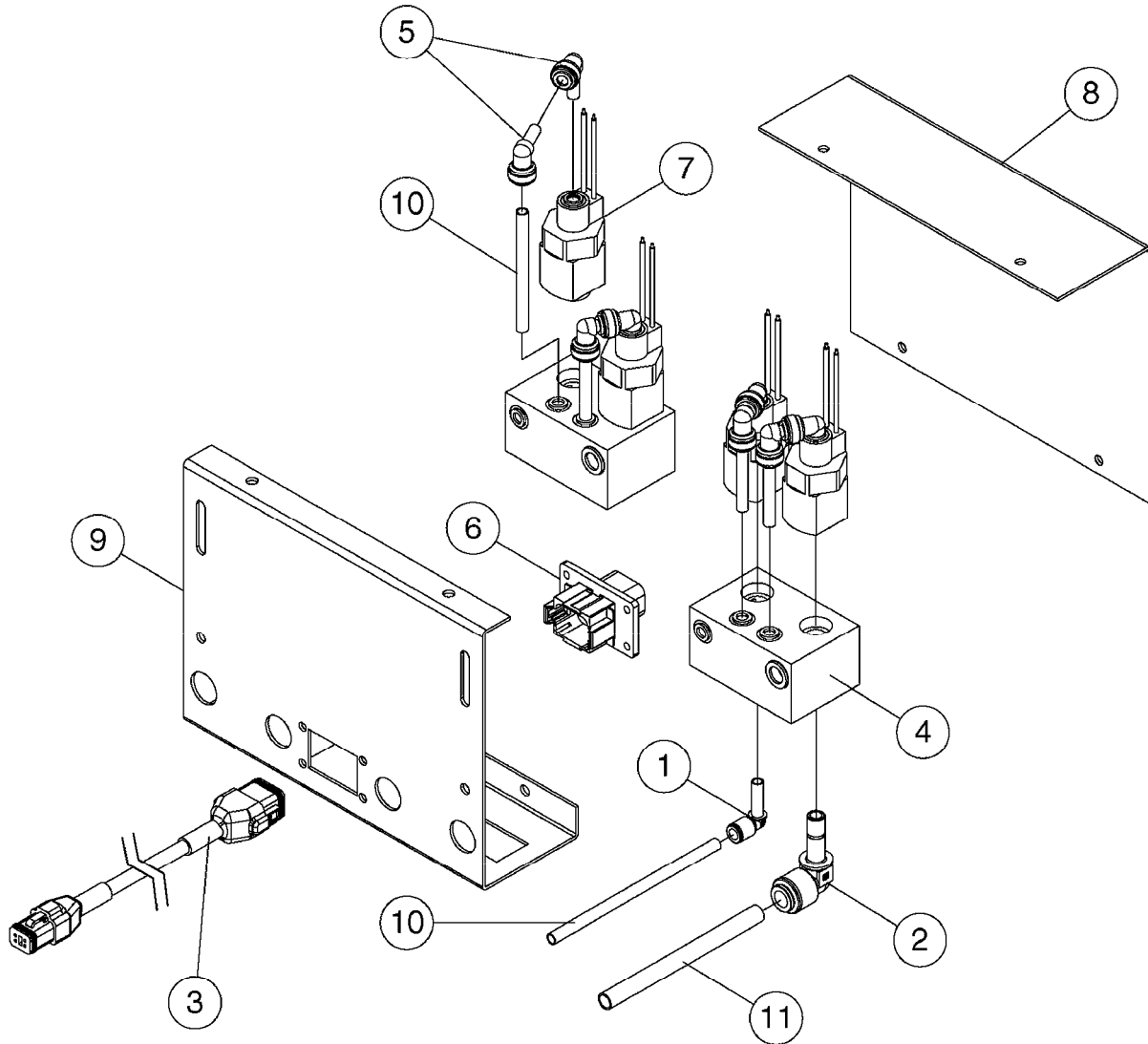


FOAM MARKER - DROPPER RICHWAY  
K0476-HIN, 26:02:18

Page 1  
Date 12.08.2020 8:20

Pos.	parts-n°	order qty	description
1	145995	1	FITT.DK S-53 FORK
2	160775	1	WASHER F. FRICTION PLATE
3	172664	1	FLATBAR BACKING PLATE
4	242109	1	O-RING D32.2x3.0
4	242354	1	O-RING D32.2X3.0 VITON
5	330831	1	FRICTION PLATE
6	410605	1	BOLT HEX 8.8 DEL M6X80
7	420582	1	BOLT HEX 8.8 DEL M8X20 FT A2
8	421201	1	BOLT HEX 8.8 DEL M8X70
9	430323	1	BOLT HEX 8.8 DEL M12X60
10	430924	1	BOLT HEX 8.8 DEL M12 X 85
11	460143	1	LOCK NUT M8 SST A2 DIN985
12	460261	1	NUT HEX M6X1.00 LOCK DIN985 A2 SS
13	460703	1	NUT HEX M12X1.75 LOCK DIN985A2 SS
14	471126	1	WASHER, M8, Ø16/ 8.4X 1.6, SS
15	471127	1	WASHER, M12, Ø24/13X24X2.5 SS
16	611671	1	BREAK AWAY HOLDER F-MARKER
17	726463	1	FITT.DK S53 BULKHEAD W/GASKET
18	726559	1	FITT DK. S-53 HB 1" W/O-RING
19	726571	1	FITT.DK S-53 ELB.1", W ORING
20	14103900	1	BUSHING Ø19/Ø13 L=26.5 SPC/FTZ BOOMS ONLY
21	16022403	1	BRACKET 60MM TUBE
22	16162903	1	BRKT, FOAM LINE DISCONNECT
23	16169803	1	BRACKET, TDZ FOAM MARKER MOUNT
24	16170003	1	PLATE, TDZ FOAM MARKER MOUNT BACKER
25	23004303	1	FITT, 3/8"NPT-3/8"TUBE-PTC
26	23004403	1	FITT, 3/8"NPT-1/4"90-PTC
27	23004503	1	FITT, BULKHEAD-1/4" TUBE-PTC
28	23004603	1	FITT, BULKHEAD-3/8" TUBE-PTC
29	28030003	1	CLAMP HOSE GEAR P1" 6716
30	28064903	1	FOAMHEAD ASSEMBLY, RICHWAY
31	28065003	1	COLLECTOR HEAD ASSY, RICHWAY
32	28065103	1	DUAL DROP MANIFOLD, RICHWAY
33	28066303	1	FITT, BANJO, 3/8" TEE
34	28066403	1	FITT, BANJO, 3/8"-3/8" STR NIP
35	28087803	1	3/8" FOAMHEAD SCREEN, FOAM MARKER, RICHWAY
36	28087903	1	FOAMHEAD GASKET, FOAM MARKER, RICHWAY
37	28088003	1	FOAMHEAD TOP HOUSING, FOAM MARKER, RICHWAY
38	28088103	1	FOAMHEAD BOTTOM HOUSING, FOAM MARKER, RICHWAY
39	61065900	1	BRACKET FOR FOAM DROPPER, S53
40	92703303	1	HOSE LLDPE .25"X.17"X12" BLACK
41	92703403	1	HOSE LLDPE .38"X.25"X12" BLACK
42	92712403	1	HOSE R X1" X300PSI WP X0012"





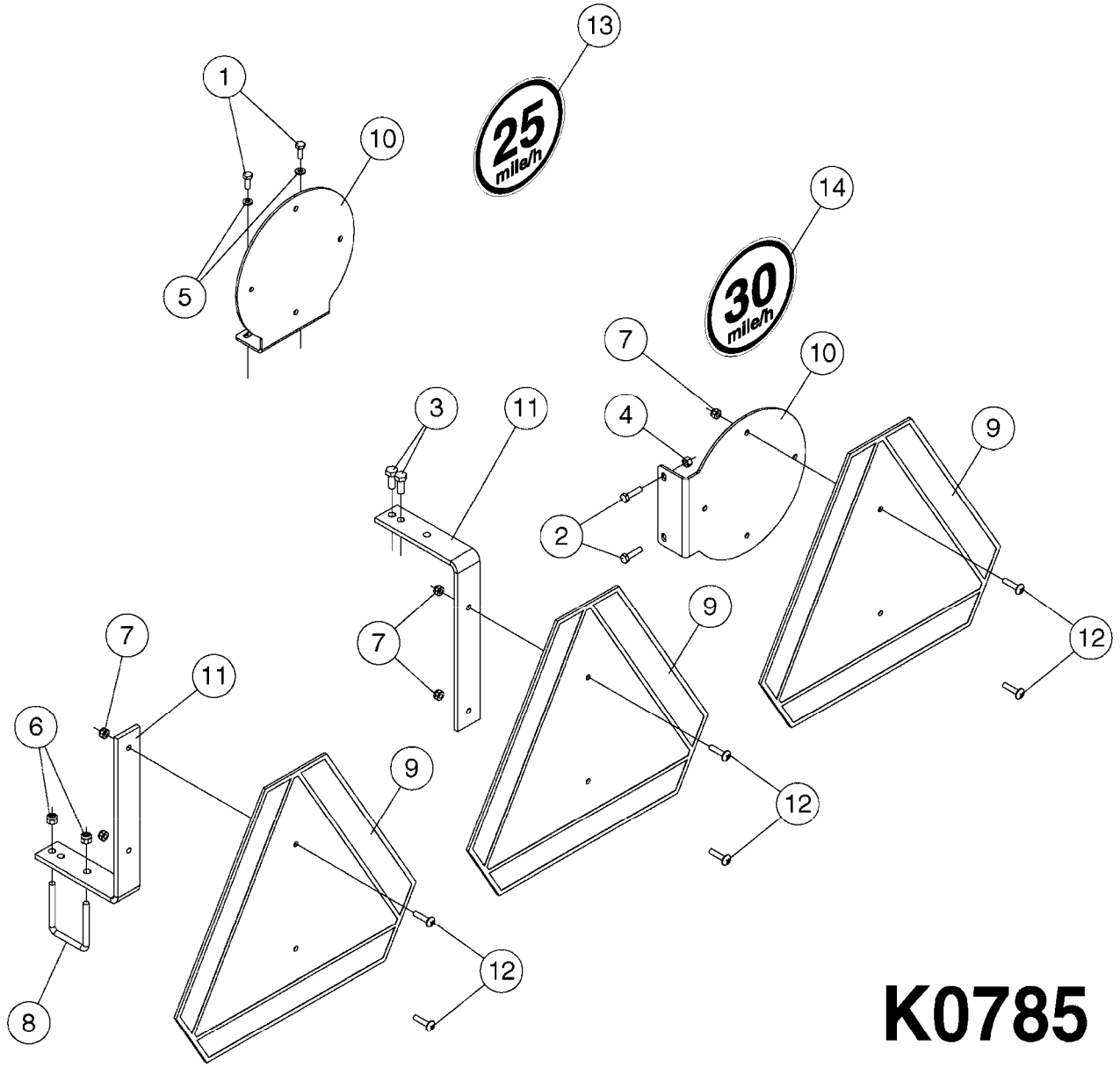
**K0478**



FOAM MARKER - DUAL DROPPER  
RICHWAY  
K0478-HIN, 26:09:16

Page 1  
Date 12.08.2020 8:20

Pos.	parts-n°	order qty	description
1	23004903	1	FITT, 1/4"PLUG-IN-1/4"90-PTC
2	23005003	1	FITT, 3/8"PLUG-IN-3/8"90-PTC
3	28065203	1	DUAL DROP HARNESS, RICHWAY
4	28088603	1	RHD-DDASY SOLENOID BLOCK, FOAM MARKER, RICHWAY
5	28096203	1	1/4" STEM X 1/4"T ELBOW
6	28096603	1	FEMALE DEUTSCH CONNECTOR
7	28096703	1	3-WAY SOLENOID VALVE
8	28096803	1	DUAL DROPPER LID
9	28096903	1	DUAL DROPPER BODY
10	92703303	1	HOSE LLDPE .25"X.17"X12" BLACK
11	92703403	1	HOSE LLDPE .38"X.25"X12" BLACK



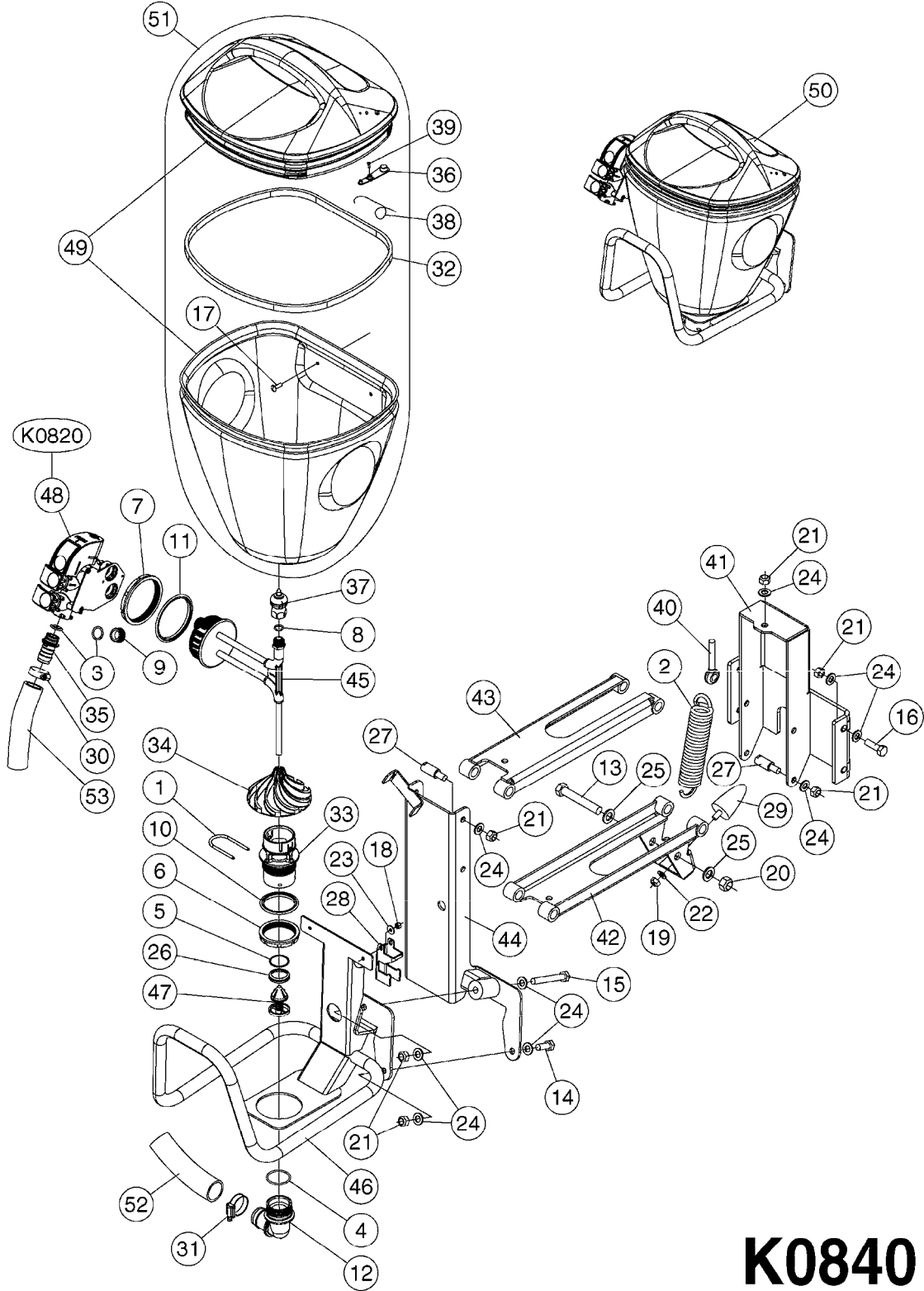
**K0785**



SMV/SPEED SIGNS & BRACKETS  
K0785-HIN, 16:01:18

Page 1  
Date 12.08.2020 8:20

Pos.	parts-n°	order qty	description
1	410185	1	BOLT HEX 8.8 DEL M6X16
2	410281	1	BOLT HEX 8.8 DEL M6X25 DIN933 A2
3	420582	1	BOLT HEX 8.8 DEL M8X20 FT A2
4	460261	1	NUT HEX M6X1.00 LOCK DIN985 A2 SS
5	470901	1	WASHER D11.8/D6.1X1.6 SS LOCK
6	10010803	1	NUT HEX NC (NYLON LOCK) 5/16
7	10497603	1	NUT HEX NC 1/4 NYLOCK Z
8	10601303	1	BOLT U 5/16'x 2'
9	10601403	1	SMV SIGN POLYSTYRENE
10	16170103	1	BRACKET, DECAL, SPEED LIMIT, PRESIDIO
11	17007203	1	MOUNT BKT. F. S.M.V. SIGN-03
12	45002203	1	SCREW TPH MS 1/4-20X1 ZNCLR
13	97616103	1	DECAL- SPEED 25 MPH
14	97617103	1	DECAL - SPEED 30 MPH



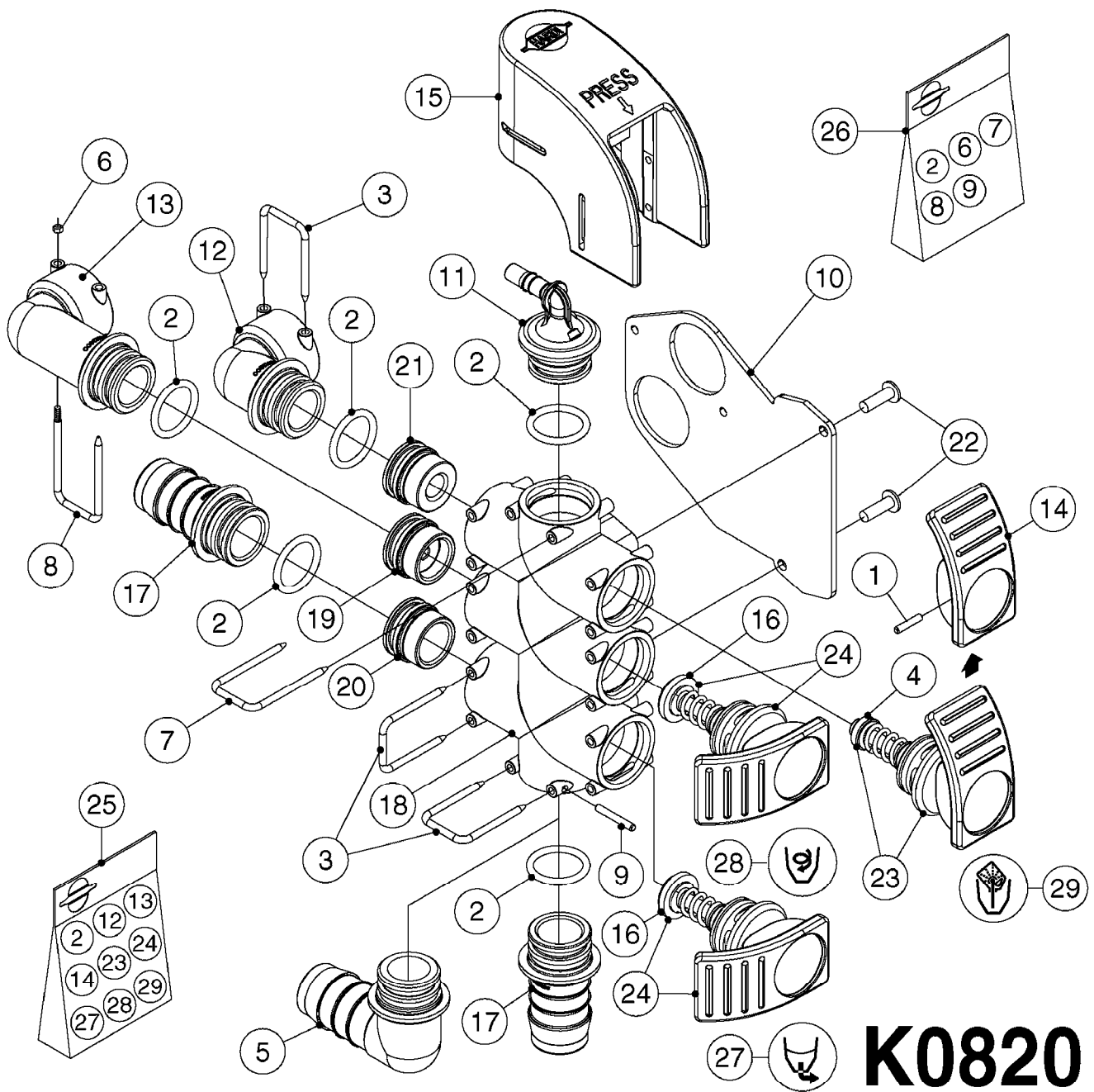
**K0840**



TURBOFILLER - PRESIDIO  
K0840-HIN, 25:04:19

Page 1  
Date 12.08.2020 8:20

Pos.	parts-n°	order qty	description
1	145996	1	FITT.DK S-67 FORK
2	220929	1	DRAW SPRING D45.0/7.0-240.0
3	240951	1	O-RING D21.2X3 NITRIL
4	242353	1	O-RING 3 X 44.2 VITON
5	242504	1	O-RING D35x2 NITRIL
6	322108	1	FITT.DK S-67 BULKHEAD NUT
7	322109	1	FITT.DK S-93 BULKHEAD NUT
8	330212	1	O-RING D19/D14X2.4 F.1/2"NUT
9	333583	1	END PIECE FOR BYPASS
10	334261	1	GASKET F. S-67 BULKHEAD
11	334262	1	GASKET F.S-93 BULKHEAD
12	334445	1	FITT.DK S-67 ELB.1-1/2"
13	430264	1	BOLT HEX 8.8 DEL M16X100
14	430286	1	BOLT HEX 8.8 DEL M12X30 FT
15	430485	1	BOLT HEX 8.8 DEL M12X90
16	430721	1	BOLT HEX 8.8 DEL M12X40 FT
17	451007	1	SCREW M6X20 STAINLESS
18	460261	1	NUT HEX M6X1.00 LOCK DIN985 A2 SS
19	460423	1	NUT HEX M10X1.50 LOCK DIN985A2 SS
20	460585	1	LOCKING NUT M16 DIN985 A2 SS
21	460703	1	NUT HEX M12X1.75 LOCK DIN985A2 SS
22	471122	1	WASHER, M10, Ø20/10.5X 2.0, SS
23	471124	1	WASHER, M6, Ø18/ 6.4X 1.6, SS
24	471127	1	WASHER, M12, Ø24/13X24X2.5 SS
25	471128	1	WASHER, M16, Ø30/17.0X 3.0, SS
26	14103100	1	SEAT F.CHECK VALVE D40.8 2010
27	15048003	1	PIN, 3/4" OD,M12X1.75,L=58MM,CHEMFILL.PRESIDIO
28	15108500	1	MOUNTING FOR WAND
29	24003503	1	RUBBER BUFFER D42 X 50 M172
30	28030003	1	CLAMP HOSE GEAR P1" 6716
31	28030103	1	CLAMP HOSE GEAR P5/4-S1.5"6724
32	28094300	1	SEALING RING Ø350 B=23 H=10
33	32237100	1	LEAD IN S67 CHECK VALVE
34	33512400	1	FLUID ROTATOR D 128
35	33513500	1	FITT.DK S-25 STR. 1"
36	33514700	1	AIR VALVE F. TURBO FILL
37	37219000	1	CLEANING NOZZLE, CHEMICAL FILLER
38	39124200	1	POLY STRING Ø 1.5 X 800
39	44074500	1	PT SCREW 40X10 WN5451/TORX 20IP SS
40	45000703	1	EYE BOLT, M12x1.75, L=82.5MM, DELTA
41	61019503	1	BRACKET, CHEM.FILLER, BASE, PRESIDIO
42	63042003	1	BRACKET, CHEM.FILLER, LOWER LINK ARM, PRESIDIO
43	63042103	1	BRACKET, CHEM.FILLER, UPPER LINK ARM, PRESIDIO
44	63042203	1	BRACKET, CHEM.FILLER, INTERFACE, PRESIDIO
45	63062200	1	RINSETUBE D12 SS TURBOFILL
46	63094300	1	MAIN SUPPORT F.TURBOFILL 25L BLACK
47	72089900	1	CHECK VALVE S67 SUBASMBLY.2001
48	72482000	1	MANIFOLD S25 CHEMFILL
49	72593600	1	TURBOFILL TANK+LID 25L
50	72738800	1	TURBOFILL HOPPER W/BRKT 25L
51	72950100	1	CHEMFILLER HOPPER W/LID 25L
52	92702603	1	HOSE PVC SUCT GRAY 1-1/2"
53	92712403	1	HOSE R X1" X300PSI WP X0012"





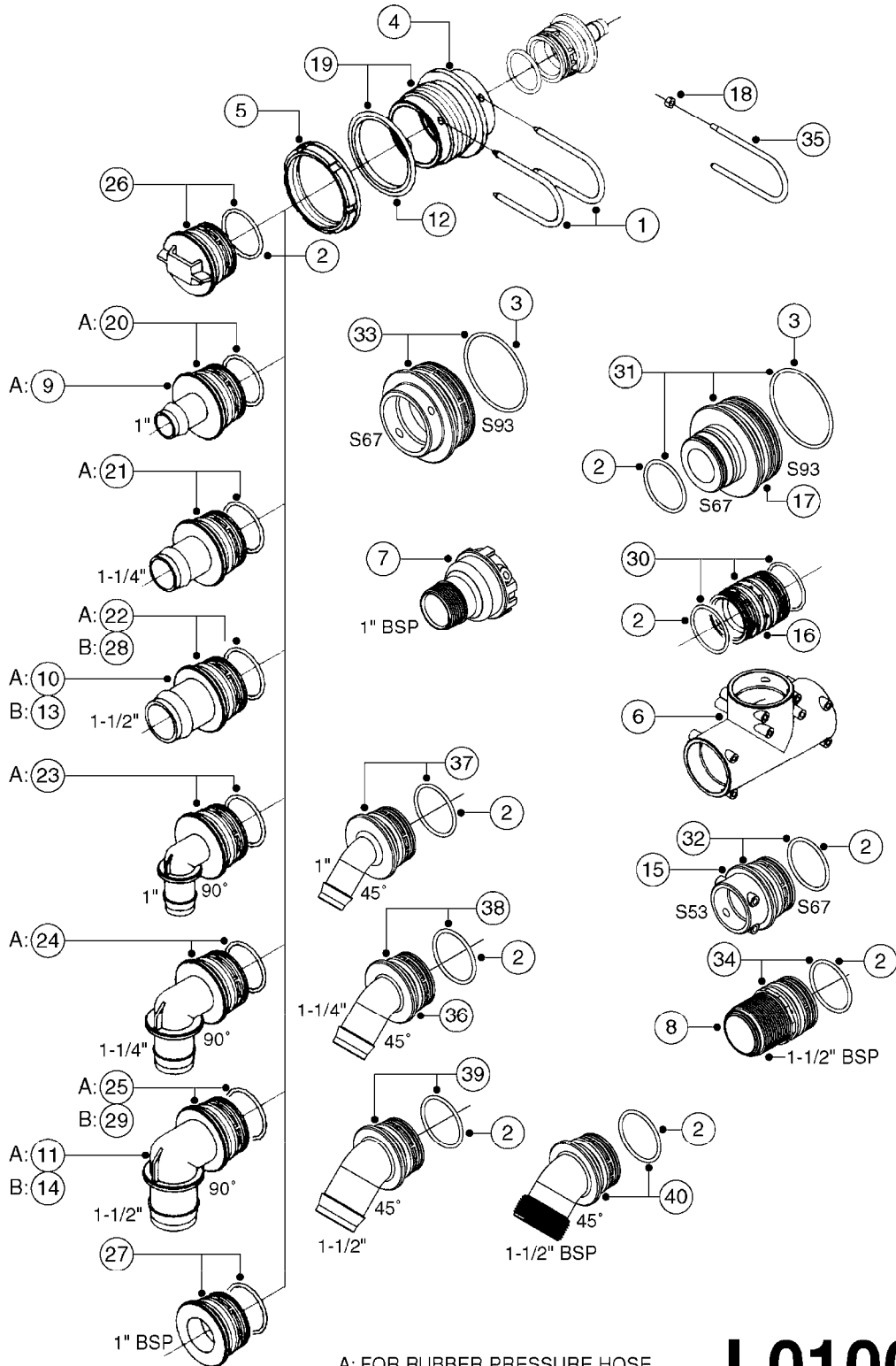
TURBOFILLER S25 MANIFOLD  
K0820-HIN, 04:12:19

Page 1

Date 12.08.2020 8:20

Pos.	parts-n°	order qty	description
1	146643	1	PIN F.CYLINDER D3 X 15
2	240951	1	O-RING D21.2X3 NITRIL
3	270211	1	FITT.DK S25 FORK L=37.5
4	330304	1	VALVE CONE D14
5	333561	1	FITT.DK ELB.1" EC RETURN
6	461219	1	LOCKNUT M3 DIN 985 SS
7	14071400	1	FITT.DK S25 FORK L=45
8	14074100	1	FITT.DK S25 FORK L=45 + M3
9	14074200	1	PIN FOR S25 FITTING
10	16214100	1	PLATE MANIFOLD CHEMFILL
11	33512500	1	FITT.DK S-25 ELB.90° 5/16"HB
12	33512800	1	FITT.DK S-25 ELB.90° S-25 L38
13	33512900	1	FITT.DK S-25 ELB.90° S-25 L60
14	33513000	1	HANDLE /S25 HOUSING TURBOFILL
15	33513100	1	COVER VALVE TURBOFILL S25
16	33513400	1	VALVE CONE z21
17	33513500	1	FITT.DK S-25 STR. 1"
18	39122600	1	FITT.DK S-25 VALVE MANIFOLD
19	39129800	1	VALVE SEAT S25 Ø20/Ø18/Ø5
20	39129900	1	VALVE SEAT S25 Ø20/Ø18
21	39130000	1	VALVE SEAT S25 Ø13.5/Ø11
22	44076200	1	SCREW WN5451 5X16 SS TORX
23	72482100	1	VALVE ASSY. S25 Ø14 TURBOFILL
24	72482200	1	VALVE ASSY. S25 Ø21 TURBOFILL
25	72530700	1	REP. KIT F. MANIFOLD S25 TURB.
26	72924500	1	REP.KIT F.MANIFOLD S25 TURBO
27	97821400	1	DECAL CHEMFILL SUCTION 28Ø
28	97821500	1	DECAL CHEMFILL AGITATE 28Ø
29	97821600	1	DECAL CHEMFILL CLEAN 28Ø





A: FOR RUBBER PRESSURE HOSE  
B: FOR PVC SPIRAL HOSE

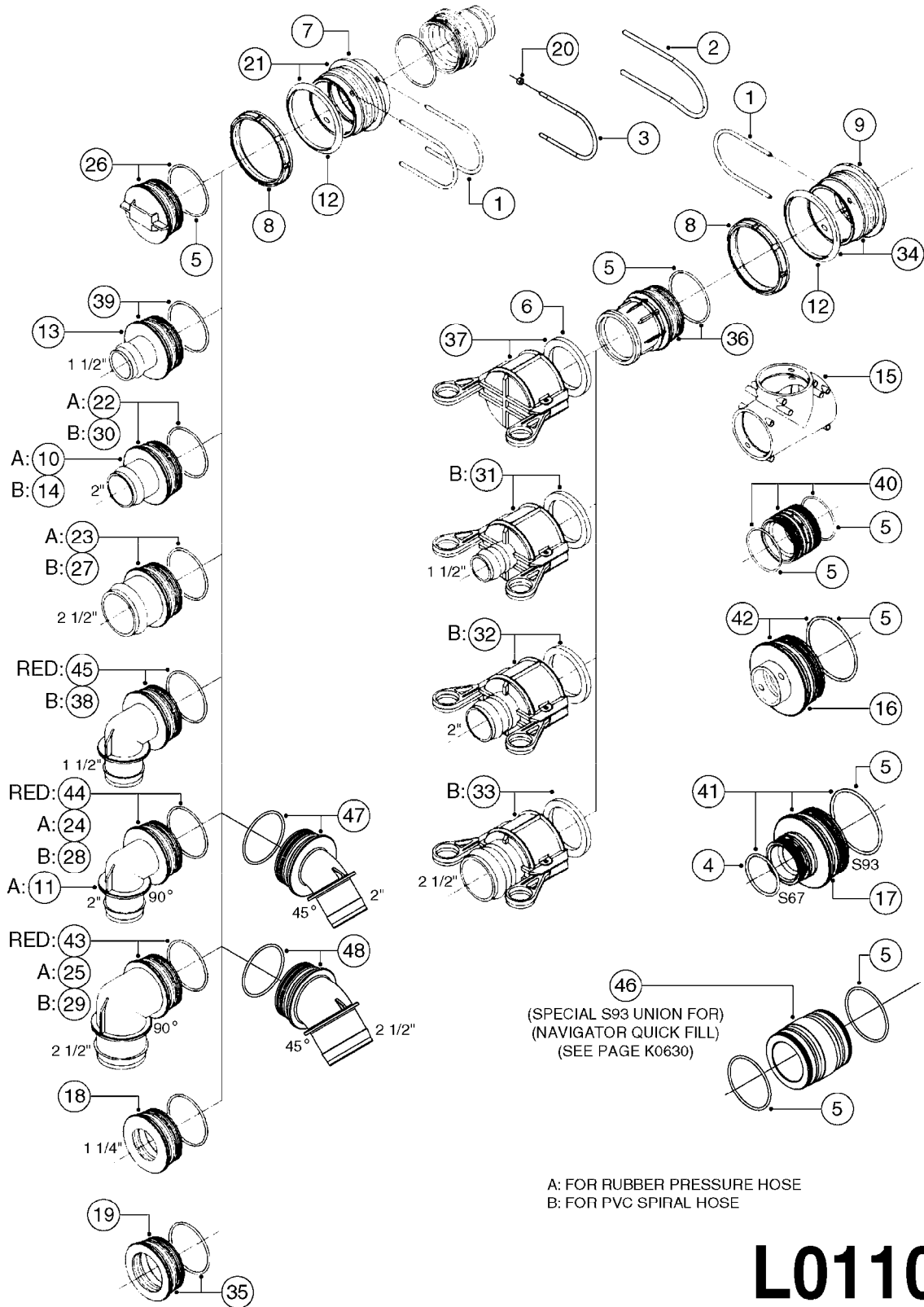
# L0100



FITTINGS - S-67  
L0100-HIN, 21:06:18

Page 1  
Date 12.08.2020 8:20

Pos.	parts-n°	order qty	description
1	145996	1	FITT.DK S-67 FORK
2	241973	1	O-RING Ø3 X 44.2 70 SHORES NITRIL NITRIL (BLACK)
2	242353	1	O-RING 3 X 44.2 VITON VITON (BROWN)
3	242092	1	O-RING D69.5X3 NITRIL (BLACK)
3	242351	1	O-RING D69.5X3.0 VITON F.S-93 VITON (BROWN)
4	322104	1	FITT.DK S-67 BULKHEAD
5	322108	1	FITT.DK S-67 BULKHEAD NUT
6	322224	1	FITT.DK S-67 TEE
7	322321	1	FITT.DK S-67 X 1"BSP MALE
8	322325	1	FITT.DK S-67 X 1-1/2"BSP LONG
9	334231	1	FITT.DK S-67 STR.1"
10	334233	1	FITT.DK S-67 STR.1-1/2" RUBBER
11	334245	1	FITT.DK S-67 ELB. 1-1/2"RUBBER
12	334261	1	GASKET F. S-67 BULKHEAD
13	334444	1	FITT.DK S-67 STR.1-1/2" PVC
14	334445	1	FITT.DK S-67 ELB.1-1/2"
15	334564	1	FITT.DK S-67 TO S-53 ADAPTER
16	334573	1	FITT.DK S-67 CONNECTOR
17	334634	1	FITT.DK ADAPTER S-93M S67M
18	461217	1	NUT HEX M5 LOCK
19	726464	1	FITT.DK S-67 BULKHEAD W/GASKET
20	726560	1	FITT.DK S-67 STR.1" W.O'RING
21	726561	1	FITT.DK S-67 STR.1-1/4" O-RING
22	726562	1	FITT.DK.S-67 HB 1-1/2"W.O-RING
23	726572	1	FITT.DK S-67 1" ELBOW 90 ASSY.
24	726573	1	FITT. S67 5/4" 90° W/O-RING
25	726574	1	FITT.DK S67X90,1.5HB PRESSURE
26	726579	1	FITT. S67 PLUG W/O-RING
27	726695	1	FITTING S67 - BSP 1" + O-RING
28	727223	1	FITT.S67 1.5" STRAIT S W/ORING
29	727224	1	FITT.DK S67X90,1.5HB SUCTION
30	728526	1	FITT.DK S-67 CONNECT W/O-RINGS
31	728527	1	ADAPTER S67M TO S93M W/ORING
32	728561	1	FITT.DK. S67M - S53F REDUCER
33	728562	1	FITT.DK S-93 TO S67 ADAPTOR
34	728578	1	FITT.DK S-67X1-1/2"BSP LG W/O-RING
35	14012200	1	FITT.DK S-67 FORK W/M5 THREADS
36	33509700	1	FITT.DK S-67 45° 1-1/4"
37	72433000	1	FITT.S67 1" 45° W/O-RING
38	72433100	1	FITT.DK S-67 45° 1-1/4"W/ORING
39	72433200	1	FITT.S67 1-1/2" 45°PVC W/O-RING
40	72433400	1	FITT.S67 1-1/2" 45°BSP W/ORING

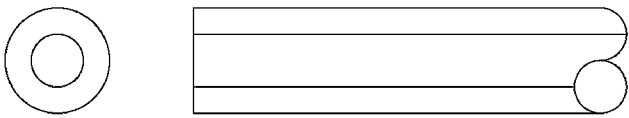
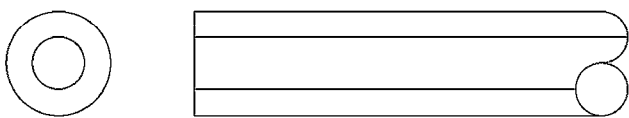
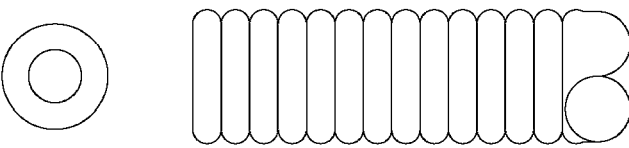
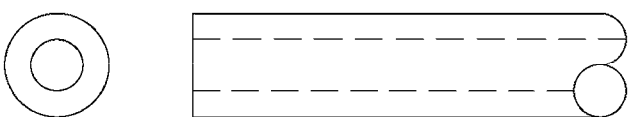
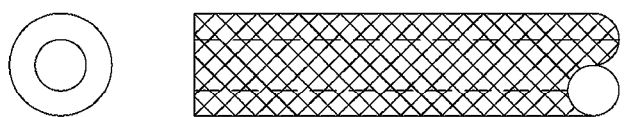
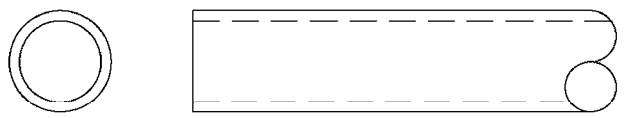


**L0110**



Pos.	parts-n°	order qty	description
1	145997	1	FITT.DK S-93 FORK
2	147115	1	FITT.DK S-93 FORK SPECIAL
3	147774	1	FITT.DK S-93 FORK W. M5 THREAD
4	241973	1	O-RING Ø3 X 44.2 70 SHORES NITRIL NITRIL (BLACK)
4	242353	1	O-RING 3 X 44.2 VITON VITON (BROWN)
5	242092	1	O-RING D69.5X3 NITRIL (BLACK)
5	242351	1	O-RING D69.5X3.0 VITON F.S-93 VITON (BROWN)
6	242221	1	GASKET F. S-93 QUICK COUPLERS
7	322105	1	FITT.DK S-93 BULKHEAD DOUBLE
8	322109	1	FITT.DK S-93 BULKHEAD NUT
9	322165	1	FITT.DK S-93 BULKHEAD SINGLE
10	334234	1	FITT.DK S-93 STR.2" RUBBER
11	334246	1	FITT.DK S-93 ELB.2" PVC
12	334262	1	GASKET F.S-93 BULKHEAD
13	334304	1	FITT.DK S-93 STR.1-1/2" PVC
14	334426	1	FITT.DK S-93 STR.2"
15	334545	1	FITT.DK S-93 TEE
16	334601	1	FITT.DK S-93 TO S67 ADAPTOR
17	334634	1	FITT.DK ADAPTER S-93M S67M
18	390485	1	FITT.DK S-93 PLUG W D34 HOLE
19	390721	1	FITT.DK S-93 PLUG W/2" NPT THRE
20	461217	1	NUT HEX M5 LOCK
21	726465	1	FITT.DK S-93 BULKHEAD W/GASKET
22	726563	1	FITT.DK S-93 STR 2" W/O-RING
23	726564	1	HOSE TAIL 2-1/2" W.O-RING
24	726575	1	FITT.DK S-93 ELB. 2" RUBBER
25	726576	1	FITT. DK S-93 2-1/2" 90°
26	726580	1	FITT. S93 PLUG W/O-RING
27	727133	1	HOSETAIL S93 2"1/2 + O-RING
28	727225	1	FITT.DK S-93 ELB.2'PVC W/ORING
29	727226	1	HOSETAIL S93 2"1/2 90°+O-RING
30	727227	1	FITT.DK S-93 STR.2" W/ORING
31	727235	1	QUICK COUPLER FEMALE W 1-1/2HB
32	727236	1	QUICK COUPLER FEMALE W 2" HB
33	727237	1	QUICK COUPLER FEMALE W2-1/2" HB
34	727339	1	FITT. S93 DRAIN BULKHEAD W/O-R
35	727476	1	FITT. DK S-93 2"FM THD W.ORING
36	727777	1	QUICK COUPLER S93 DRAIN W/O-RI
37	728120	1	QUICK COUPLER CAP F.S93 DRAIN
38	728395	1	FITT.DK S-93 ELB.1-1/2" 90 DEG
39	728523	1	FITT.DK S-93 STR.1-1/2" W.O-RING
40	728525	1	FITT. S93 CONNECTOR W/O-RINGS
41	728527	1	ADAPTER S67M TO S93M W/ORING
42	728562	1	FITT.DK S-93 TO S67 ADAPTOR
43	729828	1	FITT.DK S-93 ELB 2-1/2" RED
44	729829	1	FITT.DK S-93 ELB 2 RED
45	729830	1	FITT.DK S-93 ELB 1-1/2" 90 RED
46	39121700	1	FITT.DK S93 ADAP LG MALE MALE
47	72072700	1	FITT.DK S-93 45D 2" PVC
48	72072900	1	FITT. S93 2-1/2" 45° S W/O-RING



I.D.	PART # (ONE FOOT)	
3/8" 1/2" 3/4" 1" 1-1/4" 1-1/2"	92701703 92702103 92703203 92712403 92734403 92736503	 RUBBER HOSE
5/16" 3/8" 1/4" 1/2" 3/4"	927281 927284 927268 927269 927270	 PVC HOSE
1" 1-1/4" 1-1/2" 2" 2-1/2"	92702403 92738900 92702603 92702703 92702803	 PVC SPIRAL SUCTION HOSE, GRAY
3/4" 1-1/4"	927205 92703503	 CLEAR HOSE, SMOOTH
1/2" 3/4"	10631003 927231	 PVC HOSE, CLEAR, REINFORCED
4mm 6mm 8mm 10mm .25" .38"	927253 RED 927264 RED 927306 BLACK 927330 BLACK 92703303 BLACK 92703403 BLACK	 PVC AIR HOSE, SMOOTH

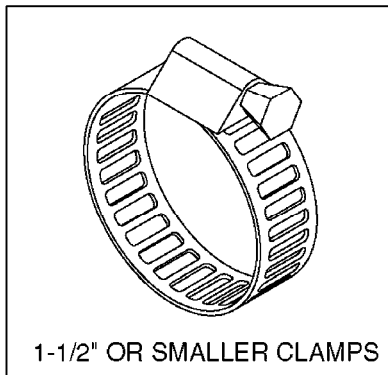
**L0120**



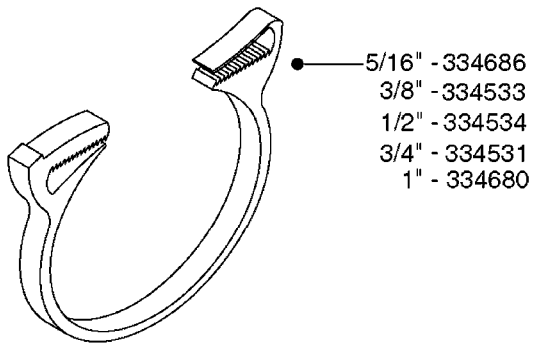
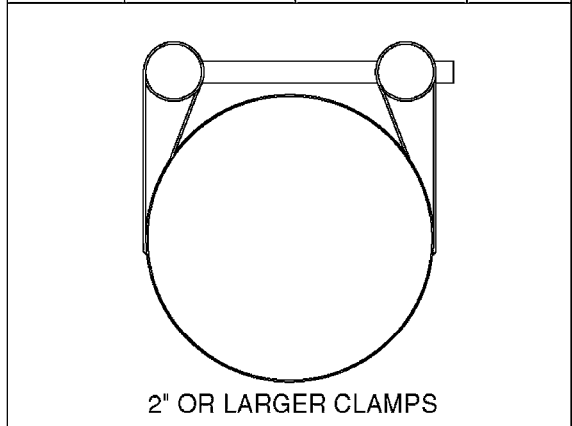
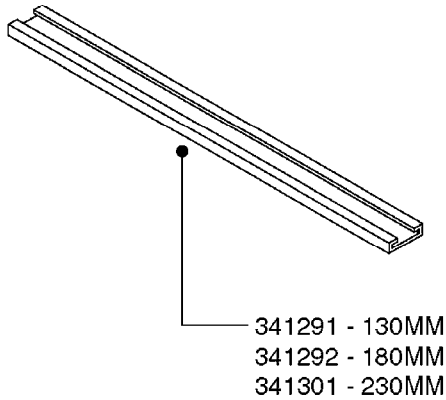
BULK HOSE  
L0120-HIN, 17:10:19

Page 1  
Date 12.08.2020 8:20

parts-n°	order qty	description
927205	1	HOSE R X CLEAR X 3/4 X 0012"
927231	1	HOSE R X PVCX3/4 CLR/BRD 0012"
927253	1	RED AIR HOSE, Ø4/2 1810 E
927264	1	HOSE R X PE D6/D4 X 0012"
927268	1	HOSE BLUE PVC X 1/4 X 0012"
927269	1	HOSE R X PVC X 1/2 X 0012"
927270	1	HOSE R X PVC X 3/4 X 0012"
927281	1	HOSE R X PVC X 5/16 X 0012"
927284	1	HOSE 3/8 PVC W/ INSERT
927306	1	HOSE R X PE D8/D6 X 0012"BLACK
927330	1	HOSE R X PE D10/D8 X 012"BLACK
10631003	1	HOSE R X CLEAR BRAID.X 1/2 12"
92701703	1	HOSE R X3/8" X300PSI WP X0012"
92702103	1	HOSE R X1/2" X300PSI WP X0012"
92702403	1	HOSE PVC SUCT GRAY 1"
92702603	1	HOSE PVC SUCT GRAY 1-1/2"
92702703	1	HOSE PVC SUCT GRAY 2"
92702803	1	HOSE PVC SUCT GRAY 2.5"
92703203	1	HOSE R X3/4" X300PSI WP X0012"
92703303	1	HOSE LLDPE .25"X.17"X12" BLACK
92703403	1	HOSE LLDPE .38"X.25"X12" BLACK
92703503	1	HOSE VINYL CLEAR 1-1/4" OD X 1" ID
92712403	1	HOSE R X1" X300PSI WP X0012"
92734403	1	HOSE R X5/4" X200PSI WP X0012"
92736503	1	HOSE R X1.5" X200PSI WP X0012"
92738900	1	HOSE R X PVC X 1-1/4" 0012"



Hose Size	Pressure	Suction	Clamp Code
5/16"	284582		-
3/8"	28044903		6706
1/2"	28029803		6708
3/4"	28029903		6712
1"	28030003	28029903	6716
1-1/4"	28030103		6724
1-1/2"		28030103	6724
2"		28030203	235-67
2-1/2"		28030303	235-74
3"		28030403	235-87



**L0130**



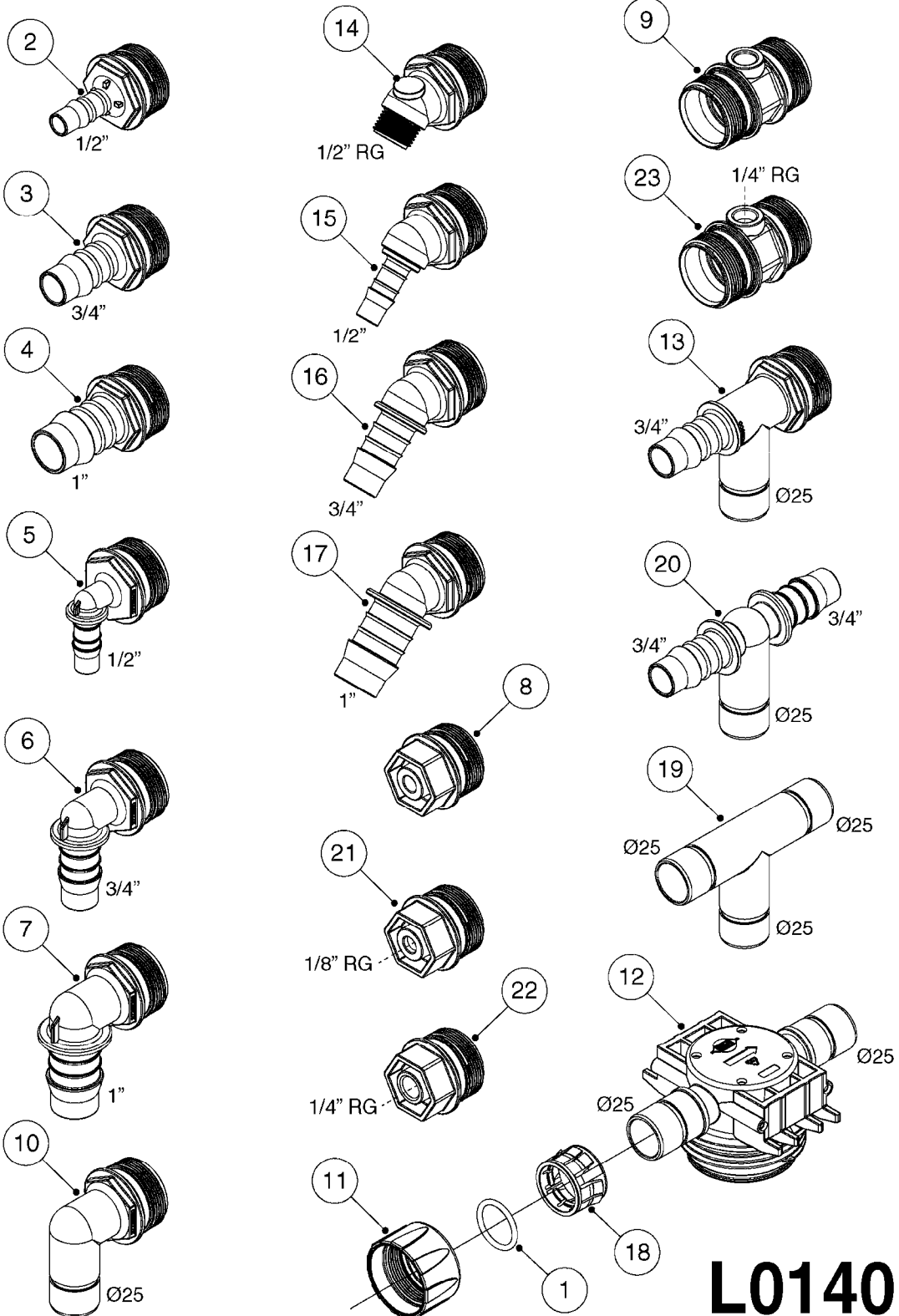
HOSE CLAMPS  
L0130-HIN, 16:10:19

Page 1

Date 12.08.2020 8:20

parts-n°	order qty	description
284582	1	CLAMP HOSE GEAR - 5/16"
334531	1	CLAMP HOSE PLASTIC 3/4"
334533	1	CLAMP HOSE PLASTIC 3/8"
334534	1	CLAMP HOSE PLASTIC 1/2"
334680	1	CLAMP HOSE PLASTIC 1"
334686	1	CLAMP HOSE PLASTIC 5/16"
341291	1	RUBBER HOSE CLAMP COVER 130MM
341292	1	RUBBER HOSE CLAMP COVER 180MM
341301	1	RUBBER HOSE CLAMP COVER 230MM
28029803	1	CLAMP HOSE GEAR P1/2" 6708
28029903	1	CLAMP HOSE GEAR P3/4"-S1" 6712
28030003	1	CLAMP HOSE GEAR P1" 6716
28030103	1	CLAMP HOSE GEAR P5/4-S1.5" 6724
28030203	1	CLAMP HOSE T-BOLT S2" 235-67
28030303	1	CLAMP HOSE T-BOLT S2.5" 235-76
28030403	1	CLAMP HOSE T-BOLT S3" 235-82
28044903	1	CLAMP HOSE GEAR P3/8" 6706





**L0140**

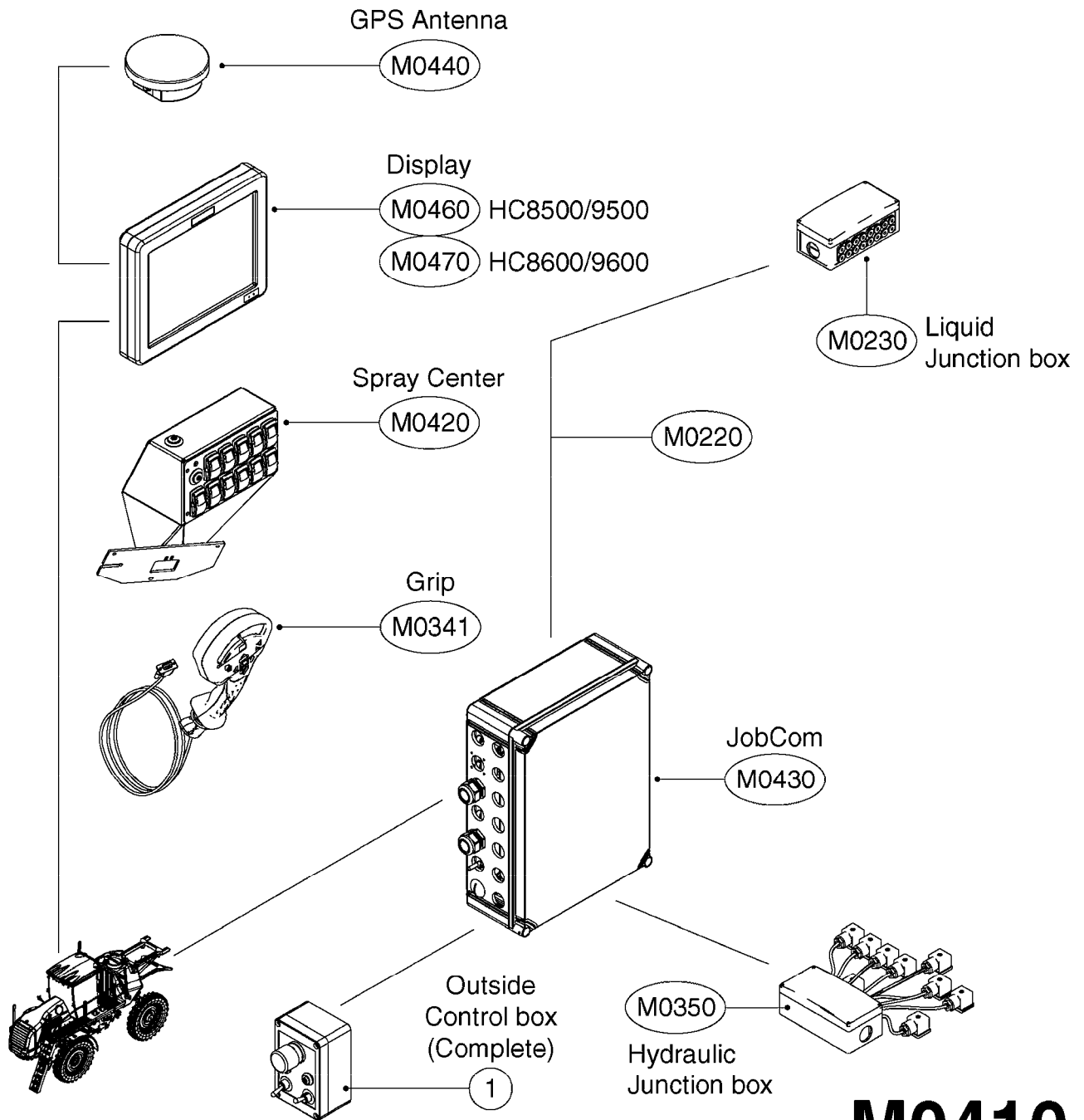


FITTINGS - T25  
L0140-HIN, 01:01:16

Page 1

Date 12.08.2020 8:20

Pos.	parts-n°	order qty	description
1	24263000	1	O-RING Ø24.4 X 3.1 NITRIL SH70
2	32238700	1	FITT.DK HB 1/2" ST T25
3	32238800	1	FITT.DK HB 3/4" STR T25
4	32238900	1	FITT.DK HB 1" ST T25
5	32239000	1	FITT.DK HB 1/2" 90° T25
6	32239100	1	FITT.DK HB 3/4" 90° T25
7	32239200	1	FITT.DK HB 1" 90° T25
8	32239300	1	FITT.DK CAP T25
9	32239500	1	FITT.DK UNION CONNECTOR T25
10	32239600	1	FITT.DK HB ANGLE 90° T25
11	32239700	1	FITT.DK NUT T25
12	32239800	1	FITT.DK IN-LINE FILTER TOP T25
13	32239900	1	FITT.DK TEE 3/4" HB Ø25 T25
14	32240000	1	FITT.DK 1/2" RG 45° T25
15	32240100	1	FITT.DK HB 1/2" 45° T25
16	32240200	1	FITT.DK HB 3/4" 45° T25
17	32240300	1	FITT.DK HB 1" 45° T25
18	33515500	1	FITT.DK NUT LOCK RING T25
19	33516100	1	FITT.DK TEE 3 X Ø25 T25
20	33516200	1	FITT.DK TEE 3/4" HB-Ø25 T25
21	39125500	1	FITT.DK CAP 1/8" RG T25
22	39125600	1	FITT.DK CAP 1/4" RG T25
23	39128700	1	FITT.DK CONNECTOR 1/4" RG T25



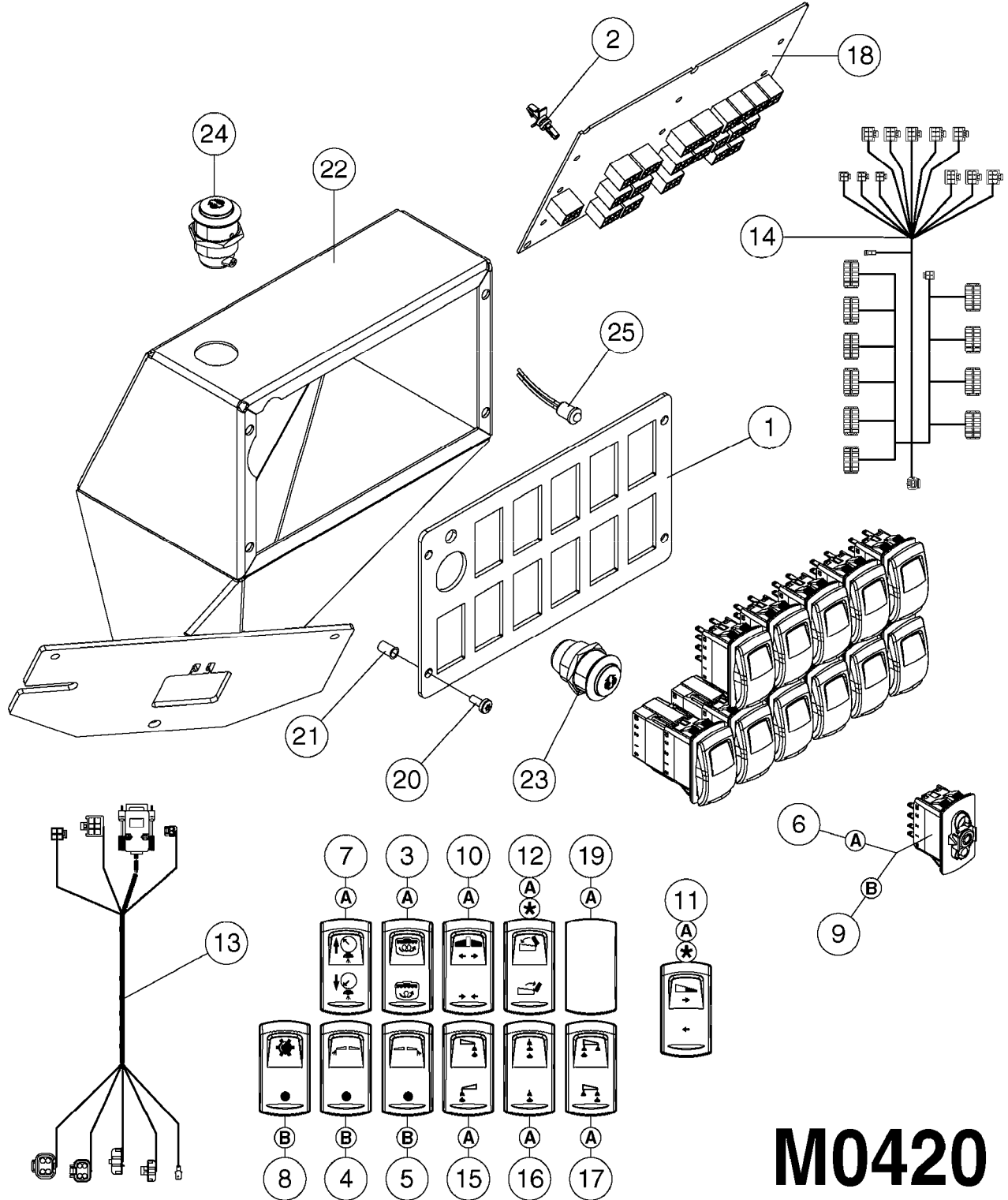
# M0410



SYSTEM OVERVIEW PRESIDIO  
M0410-HIN, 12:12:16

Page 1  
Date 12.08.2020 8:20

Pos.	parts-n°	order qty	description
1	26031703	1	OUTSIDE CONTROL BOX ASSEMBLY, PR2700



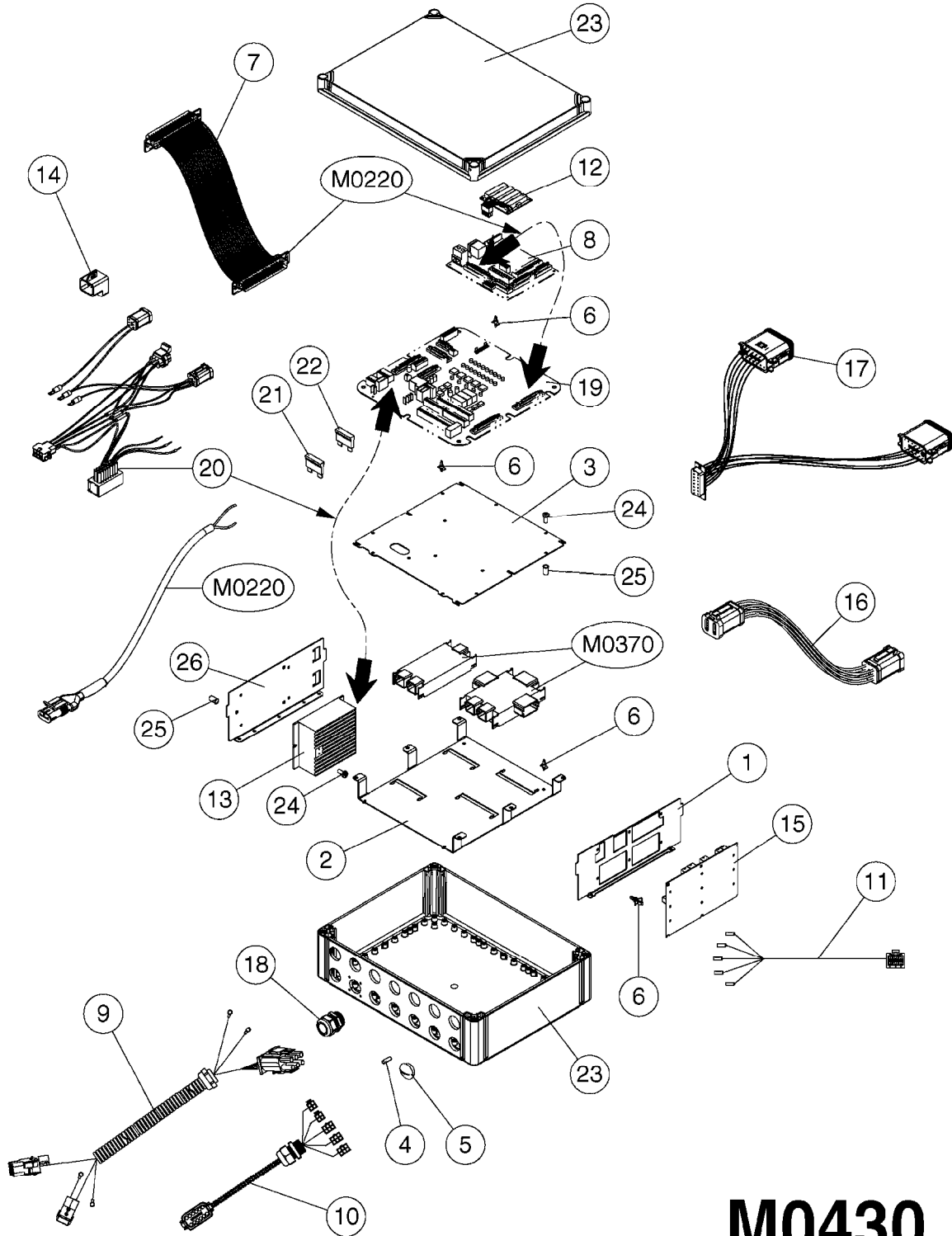
**M0420**



SPRAY CENTER PRESIDIO  
M0420-HIN, 21:07:16

Page 1  
Date 12.08.2020 8:20

Pos.	parts-n°	order qty	description
1	16178003	1	FRONT COVER, SPRAY CENTER, PR2700
2	26005100	1	CONNECTOR FOR PCB, PLASTIC
3	26014001	1	AGITATION SWITCH ACTUATOR
4	26014401	1	LEFT END NOZZLE SWITCH ACTUATOR
5	26014501	1	RIGHT END NOZZLE SWITCH ACTUATOR
6	26015801	1	ROCKER SWITCH MOM-OFF-MOM GREEN-GREEN LED
7	26017801	1	REGULATION PUMP +/- SWITCH ACTUATOR
8	26017901	1	PUMP CONTROL SWITCH ACTUATOR
9	26019501	1	ROCKER SWITCH MOM-OFF-MOM GREEN-RED LED
10	26021401	1	SIMULTANEOUS 1ST SECTION SWITCH ACTUATOR
11	26021601	1	RIGHT 2ND SECTION SWITCH ACTUATOR USED WITH TR4 BOOM
12	26022001	1	UN/FOLD LAST BOOM SECTION SWITCH ACTUATOR USED WITH SPC BOOM
13	26029903	1	SPRAY CENTER/GRIP INTERFACE, PR2700
14	26030003	1	HARNESS, SWITCH/PCB, PR2700
15	26032003	1	SWITCH COVER FOAM L/R
16	26032103	1	SWITCH COVER FOAM +/-
17	26032203	1	SWITCH COVER FOAM IN/OUT
18	26035100	1	HC 6401 PCBA ISO HW 2.1
19	28091603	1	CAVITY PLUG FOR ROCKER SWITCH
20	41108300	1	BOLT, M4X10 BN5687 TORX, SS
21	48081900	1	POP-NUT M4 RST 0.5-3.0 OPEN 24M04KV01
22	63043203	1	SPRAY CENTER HOUSING, PR2700
23	76008301	1	PUSHBUTTON, RD, AUTO REG., ASM, SARITOR
24	76008401	1	PUSHBUTTON, RD, POWER JOBCOM, ASM, SARITOR
25	76008901	1	LED, RED, ON JOBCOM, ASM, SARITOR



**M0430**



JOB COM PRESIDIO  
M0430-HIN, 26:07:16

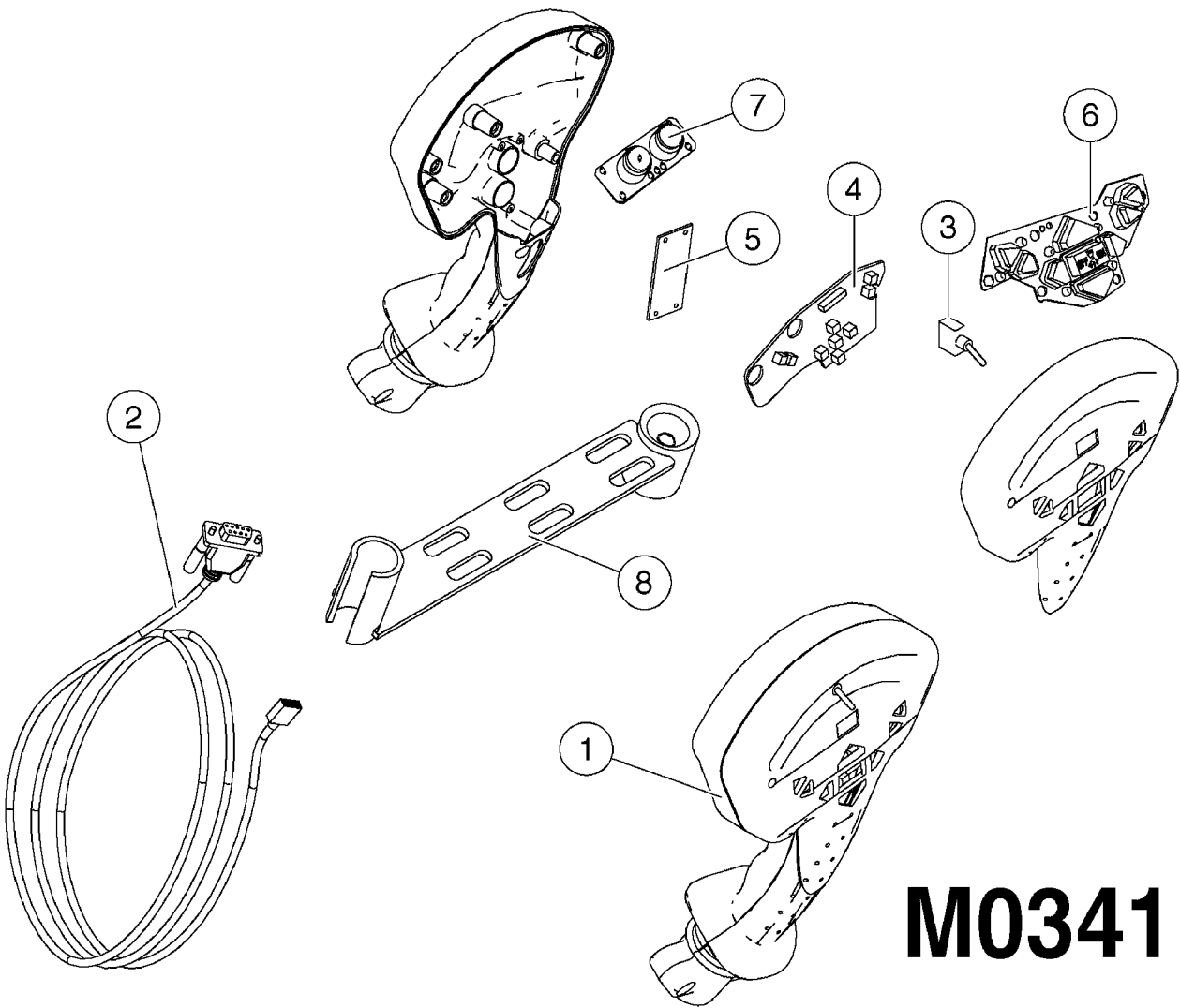
Page 1  
Date 12.08.2020 8:20

Pos.	parts-n°	order qty	description
1	16178503	1	MOUNT PLATE, 6401 PCB, JC HW3.X
2	16439100	1	BRACKET, INNER, JC HW 3.X
3	16439200	1	PLATE, JOBCOM MOUNT, JC HW3.X
4	25197500	1	PLUG Ø6x18MM NITRIL
5	26004600	1	PLUG F.DRILLED HOLE 21MM
6	26005100	1	CONNECTOR FOR PCB, PLASTIC
7	26005900	1	WIRE 37/37 POLE DAH/JOBCOM
8	26029200	1	DAH PCB F. JOBCOM NCM '09
9	26030103	1	CABLE, ISO/POWER, CAB-JC, PR2700
10	26030703	1	OUTSIDE BOX INTERFACE HARNESS, PR2700
11	26030803	1	JOBCOM/HC6401 PCB INTERFACE, PR2700
12	26031100	1	PCB ASSY. FOR NORAC INTERFACE
13	26031200	1	C2C ISOBUS BRIDGE 16PIN STW
14	26032700	1	ACTIVE ISOBUS TERMINATOR
15	26035100	1	HC 6401 PCBA ISO HW 2.1
16	26039100	1	CABLE, DT06 6P FEMALE L=300MM
17	26039300	1	CABLE, DAH UC5 INPUT MODULE
18	26039700	1	BULKHEAD F.CABLE PG21 6X6.0
19	26042200	1	JOBCOM PCB ASSY HW3.0
20	26052500	1	CABLE, ISO SP JC-C2C-UC5, HW3.X
21	28048500	1	FUSE 10A ATOF SERIES
22	28048600	1	FULE 15A ATOF SERIES
23	39134200	1	BOX COMPL. 300X400X135 DRILLED
24	41108300	1	BOLT, M4X10 BN5687 TORX, SS
25	48081900	1	POP-NUT M4 RST 0.5-3.0 OPEN 24M04KV01
26	63146300	1	C2C/PF PWR BRACKET W.M4 NUTS





HC6301 GRIP ISO  
M0341-HIN, 26:07:16



**M0341**

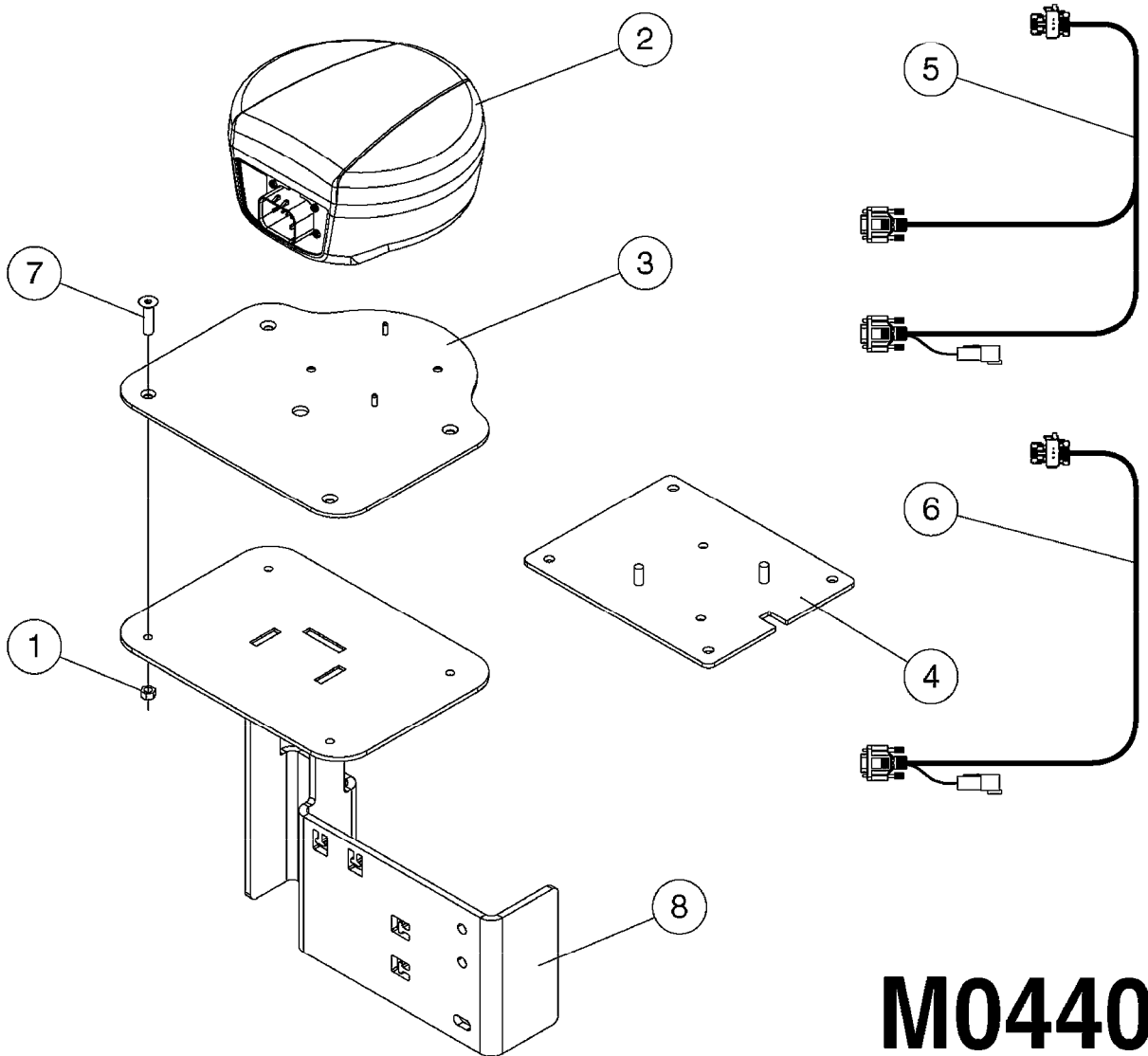


HC6301 GRIP ISO  
M0341-HIN, 26:07:16

Page 1

Date 12.08.2020 8:20

Pos.	parts-n°	order qty	description
1	26057100	1	HC6301 GRIP 3 ISO
1	26032900	1	HC 6301 GRIP 4 ISO
1	26036600	1	HC 6301 GRIP 5 ISO
1	26033000	1	HC 6301 GRIP 6 ISO
1	26033100	1	HC 6301 GRIP 7 ISO
1	26033200	1	HC 6301 GRIP 8 ISO
1	26033300	1	HC 6301 GRIP 9 ISO
1	26034800	1	HC 6301 GRIP 10 ISO
1	26037000	1	HC6301 GRIP 11 ISO
1	26036300	1	HC 6301 GRIP 12 ISO
1	26033400	1	HC 6301 GRIP 13 ISO
2	26033500	1	CABLE HC6300 DB9 GRIP
3	26025400	1	SWITCH FOR HC6300 GRIP SECTION
4	26025600	1	PRINT HY CTRL FOR HC6300 GRIP
5	26025700	1	PRINT TWIN FOR HC6300 GRIP
6	28030000	1	GRIP, 9 SILICONE BUTTONS YELLOW
7	28030200	1	GRIP, 2 SILICONE BUTTONS BLACK
8	63051800	1	HOLDER FOR HC6300 GRIP



**M0440**



GPS 6000/6500 ANTENNA  
M0440-HIN, 25:07:16

Page 1

Date 12.08.2020 8:20

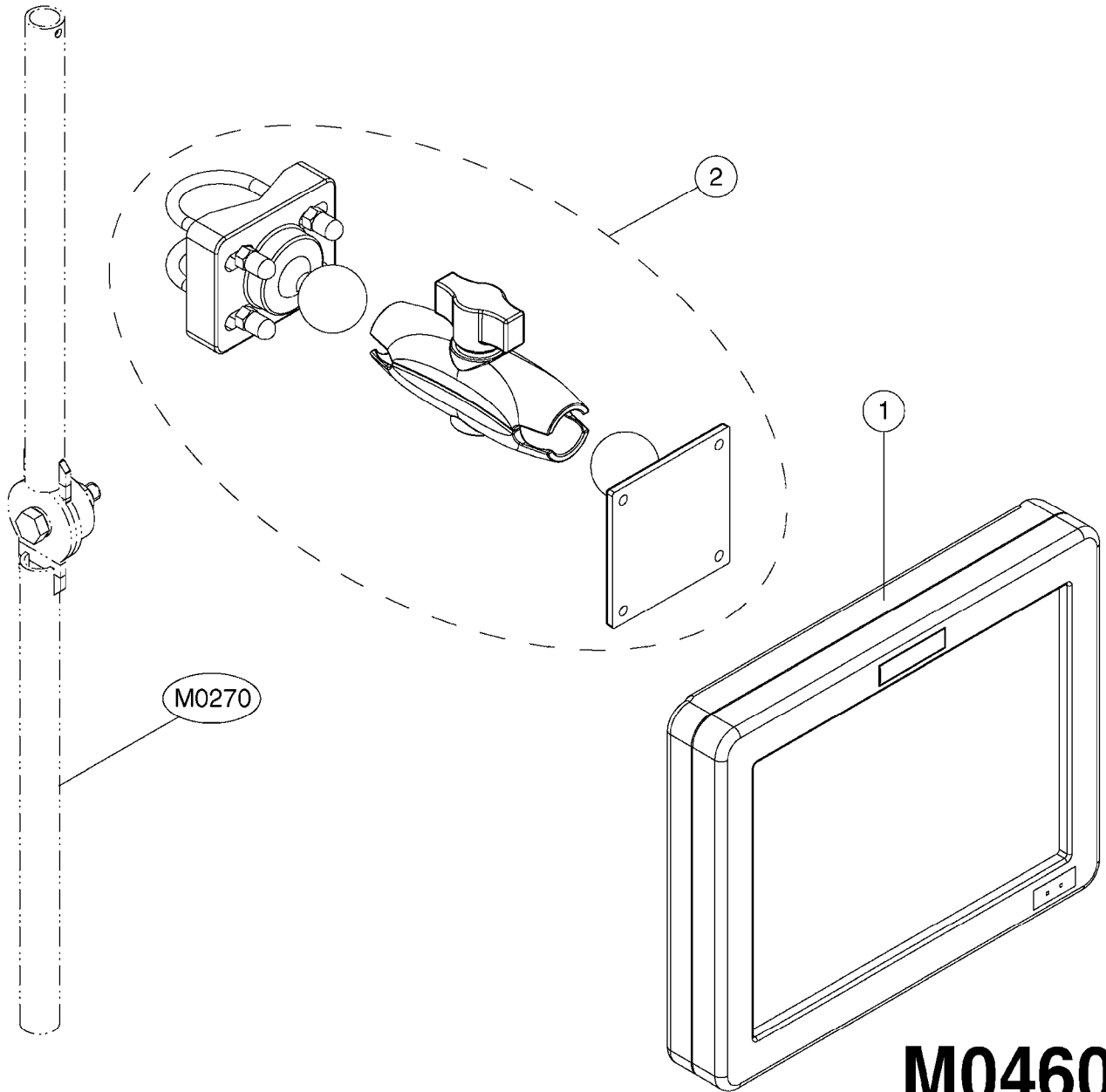
Pos.	parts-n°	order qty	description
1	461217	1	NUT HEX M5 LOCK
2	26063700	1	GPS 6000 ANTENNA + HARNESS
2	26063800	1	GPS 6500 RECEIVER + CABLE
3	26066300	1	ANTENNA 6500 BRACKET INCLUDED WITH 6500 RECEIVER
4	26066400	1	Bracket Kit GPS 6000 INCLUDED WITH 6000 RECEIVER
5	26066500	1	CABLE GPS 6000/6500/7500 DUAL PORT
6	26066600	1	ANTENNA CABLE GPS 6000/6500 SINGLE PORT
7	45000501	1	SCREW, HEX SOCKET M5-16 SST A2 DIN7991
8	61024603	1	GPS RECEIVER MNT 2015, PRSIDIO, GRAY PRESIDIO ONLY



HC8500/9500 DISPLAY  
M0460-HIN, 06:12:16

Page 0

Date 12.08.2020 8:20



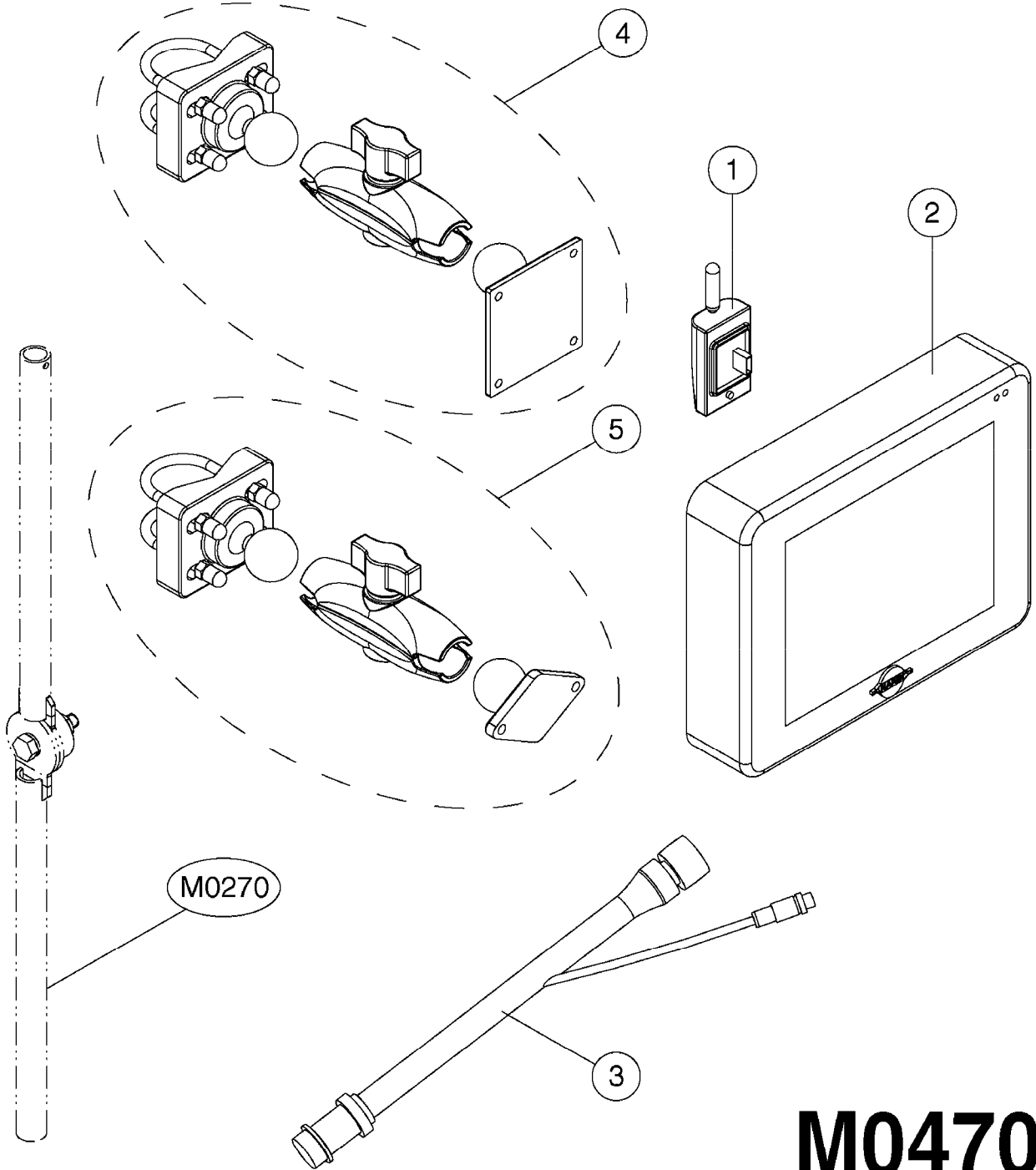


HC8500/9500 DISPLAY  
M0460-HIN, 06:12:16

Page 1

Date 12.08.2020 8:20

Pos.	parts-n°	order qty	description
1	26037900	1	HC9500 DISPLAY KIT
1	26047600	1	HC8500 DISPLAY KIT
2	72802400	1	RAM MOUNT KIT W/5" ARM STD BASE



**M0470**



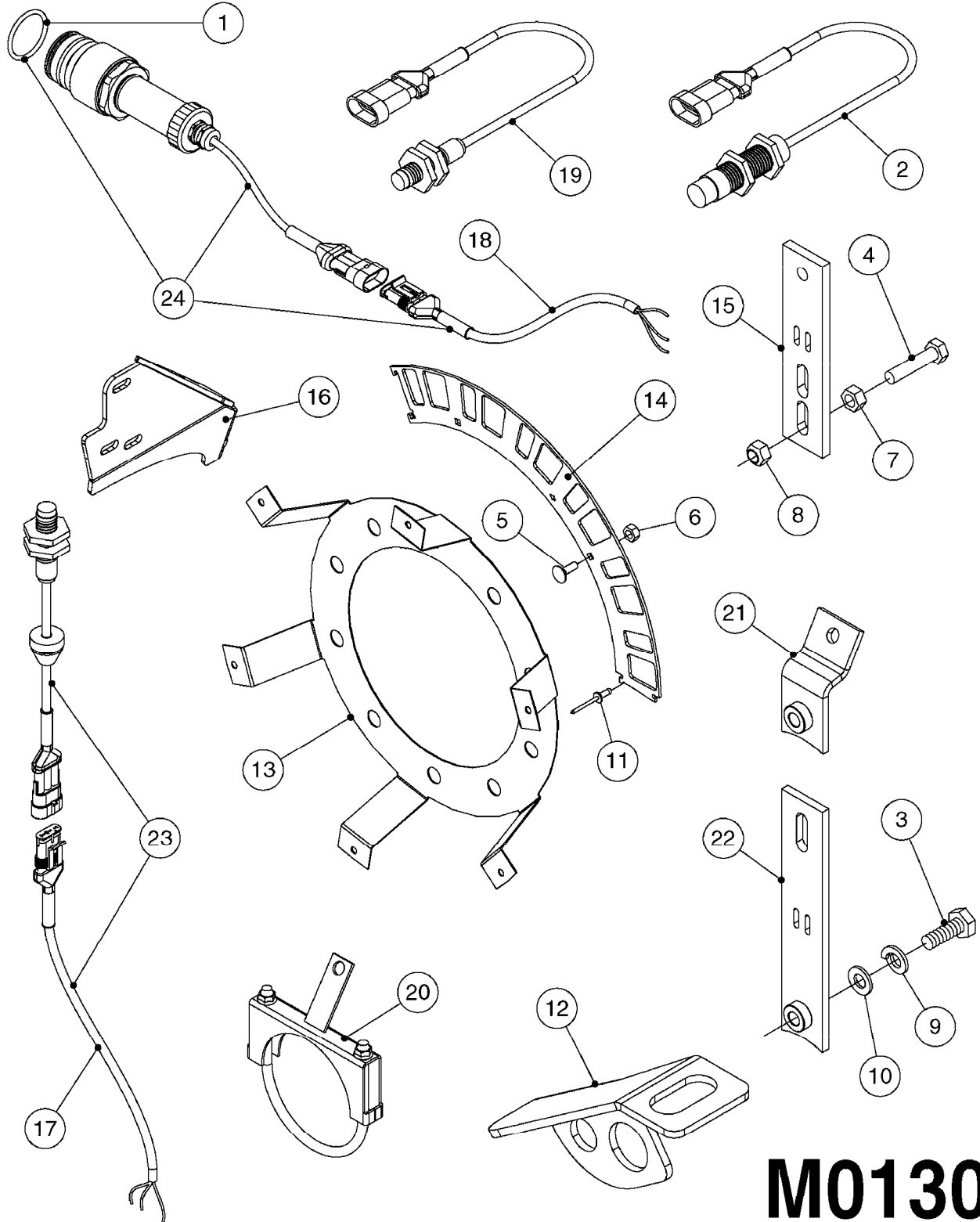
HC8600/9600 DISPLAY  
M0470-HIN, 06:12:16

Page 1

Date 12.08.2020 8:20

Pos.	parts-n°	order qty	description
1	26066000	1	AGFINITI USB WI-FI ADAPTER KIT
2	26068600	1	DISPLAY KIT- HC 8600
2	26069600	1	DISPLAY KIT- HC 9600
3	26069300	1	HC9600/8600 to Legacy Adapter
4	72802400	1	RAM MOUNT KIT W/5" ARM STD BASE USE WITH 9600 DISPLAY
5	73156900	1	RAM MOUNT KIT W/5" ARM DIAMOND BASE USE WITH 8600 DISPLAY





**M0130**

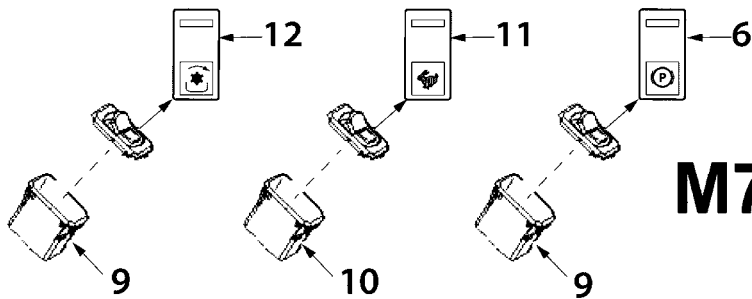
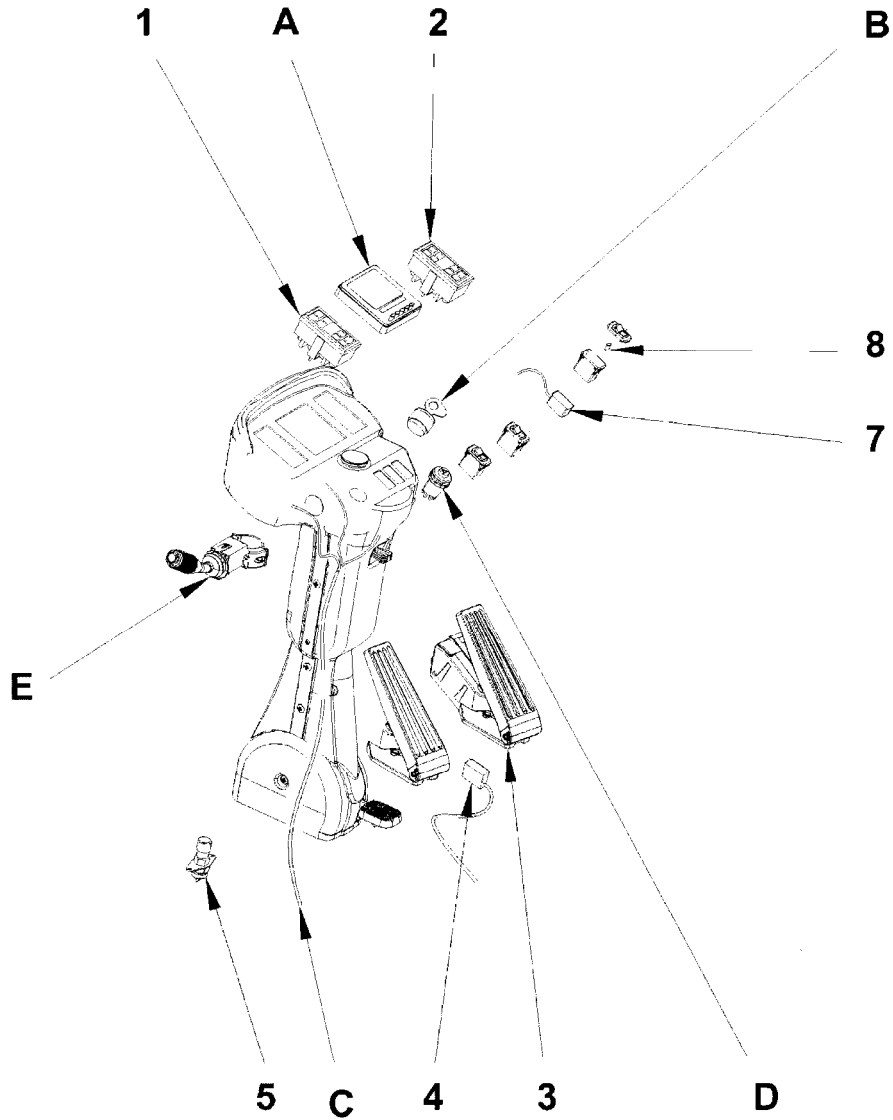


COMMON SENSORS AND BRACKETS  
M0130-HIN, 12:12:16

Page 1

Date 12.08.2020 8:20

Pos.	parts-n°	order qty	description
1	242354	1	O-RING D32.2X3.0 VITON
2	285855	1	SENSOR INDUCTIVE M18 W/WIRE
3	430286	1	BOLT HEX 8.8 DEL M12X30 FT
4	430870	1	BOLT HEX 8.8 DEL M12X55 FT
5	440695	1	BOLT CARRIAGE M8X25
6	460143	1	LOCK NUT M8 SST A2 DIN985
7	460386	1	NUT HEX M12X1.75
8	460703	1	NUT HEX M12X1.75 LOCK DIN985A2 SS
9	470466	1	WASHER D21.1/D12.2X2.5 LOCK
10	471127	1	WASHER, M12, Ø24/13X24X2.5 SS
11	480804	1	RIVET Ø4.8x14.5
12	16020300	1	BRACKET FOR SPEED SENSOR
13	16094703	1	WHEEL SENSOR MT BKT
13	16182403	1	BRACKET, SPEED RING, PRESIDIO
14	16138203	1	SPEED SENSOR RING NCM 2009 1/3
15	16138403	1	PLATE F. SPEED SENSOR
16	16182303	1	BRACKET, SPEED SENSOR, PR
17	26006100	1	CABLE L = 5.00M, AMP, MALE, 3P
18	26007100	1	CABLE L = 9.00M, AMP, MALE, 3P
19	28047500	1	INDUCTIV SENSOR M12 L1M
20	61000603	1	SPEED SNS MNT CLAMP F/DLS 4.5"
21	61010703	1	SPEED SENSOR BKT NCM NON-S OLD
22	61015803	1	SPEED SENSOR BKT NCM 2010
23	72050100	1	TWIN RPM SENSOR HN
24	72534000	1	TANK LEVEL ELEC SENSOR KIT 9M



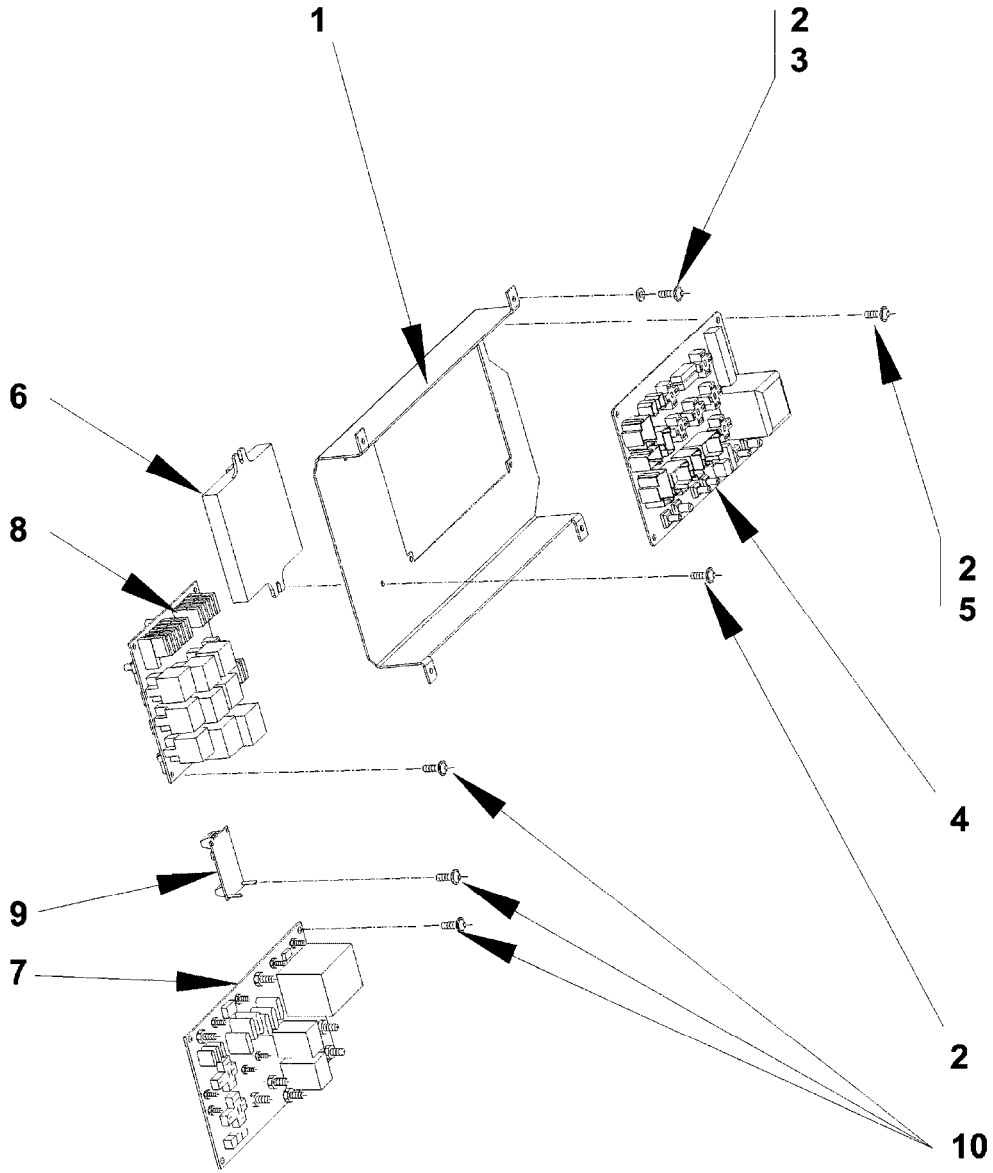
**M700-HAU**



PRESIDIO STEERINGCOLUMN WIRING  
M700-HAU, 14:06:16

Page 1  
Date 12.08.2020 8:20

Pos.	parts-n°	order qty	description
1	PR-EA0876	1	GREEN BLOCK 4 LIGHTS AND DIESEL GAUGE
2	PR-EA0875	1	GREEN BLOCK 8 LIGHTS: flashes D / G-pr
3	PR-XX0148	1	ACCEL PEDAL FLOOR
5	PR-EA0614	1	FOOT SWITCH 12V
6	PR-CA0130-09	1	BUTTON PARK BRAKE
7	PR-CA0130-29	1	CONNECTOR FOR SWITCH
8	PR-EA0257.01	1	BULB FOR SWITCH PR-EA0258
9	PR-CA0130-08	1	SWITCH 2-POLE
10	PR-EA0258	1	SWITCH CONTROL SPEED 3 POLE
11	PR-CA0130-15	1	BUTTON CONTROL SPEED GREEN BACKGROUND
12	PR-CA0130-12	1	BUTTON PTO
A	PR-MA0250	1	DISPLAY TCD2012
B	PR-CA0190-02	1	KEY SWITCH PR4240/324
C	PR-EA0604-04	1	HARNESS STEER COLUMN BEAM
D	PR-EA0036	1	ROUND BUTTON WARNING 6HF003916011
E	PR-CA0190-01	1	STALK FOR PR4240/3240



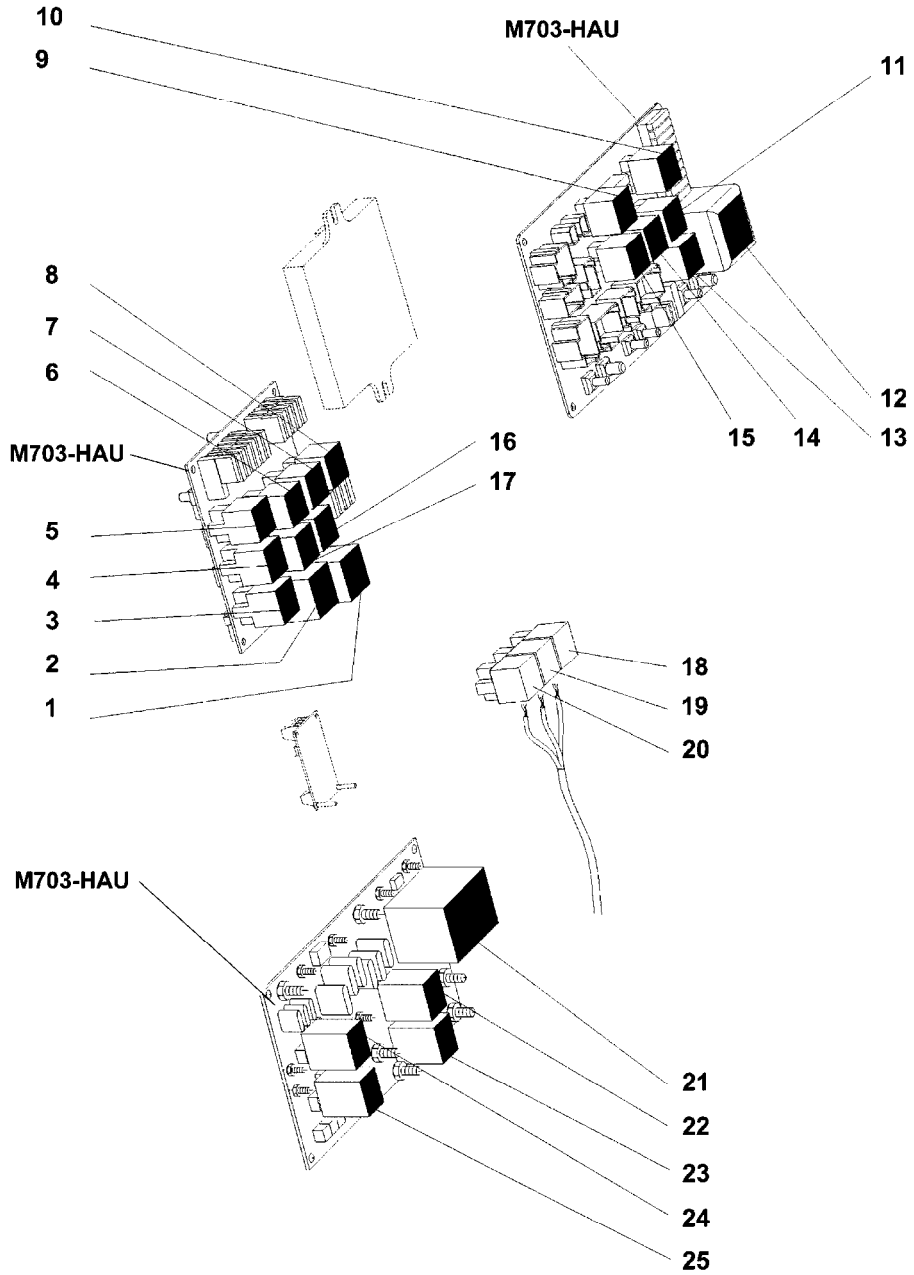
# M701-HAU



PRESIDIO ELEC.COMP. RIGHT SIDE  
M701-HAU, 11:01:16

Page 1  
Date 12.08.2020 8:20

Pos.	parts-n°	order qty	description
1	PR-FEPR25080	1	SUPPORT XX0014 PR2540
2	PR-DB4644004020	1	SCREW BHC M4X20 A2 SS
3	PR-DS1504004	1	WASHER DECOL. 0.8 M 4X10X0 SS
4	PR-EA0563	1	PCB, MACHINE, EA0563, PRESIDIO
5	PR-DB8444004	1	RING NYLON NUT M 4 INOX
6	PR-XX0014	1	CARD FOR NEX ELEC ADVANCED MANIP
7	PR-EA0561	1	CARD POWER QUIP WITH AGRI
8	PR-EA0555	1	CAB CARD EQUIP WITH AGRI
9	PR-XX0013	1	PR2540 CARD FREQUENCY DIVISION
10	PR-DB5222004012	1	SCREW RHC Class 8.8 M 4X 12 Zn



# M702-HAU



PRESIDIO RELAYS PRINTED CIRC.  
M702-HAU, 11:01:16

Page 1

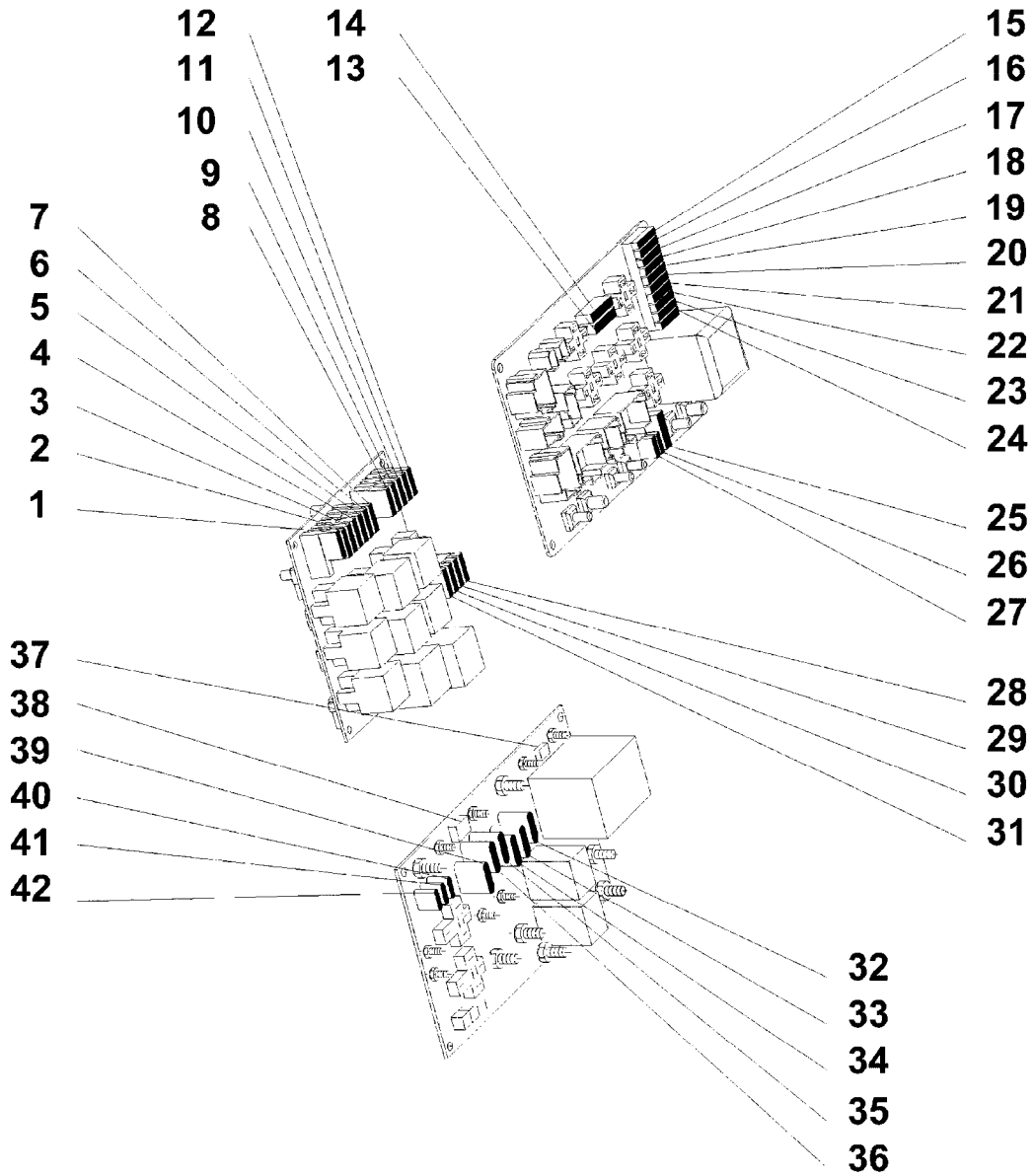
Date 12.08.2020 8:20

Pos.	parts-n°	order qty	description
1	PR-EA0298	1	RELAY
2	PR-EA0297	1	RELAY
3	PR-EA0291	1	RELAY
4	PR-EA0291	1	RELAY
5	PR-EA0291	1	RELAY
6	PR-EA0291	1	RELAY
7	PR-EA0291	1	RELAY
8	PR-EA0291	1	RELAY
9	PR-EA0294	1	RELAY CENTRAL FLASHING
10	PR-EA0291	1	RELAY
11	PR-EA1112	1	RELAY
12	PR-EA0296	1	RELAY 12V 120A
13	PR-EA0291	1	RELAY
14	PR-EA0291	1	RELAY
15	PR-EA0291	1	RELAY
16	PR-EA0291	1	RELAY
17	PR-EA0291	1	RELAY
18	PR-EA0033	1	RELAY 12V Inverter
19	PR-EA0033	1	RELAY 12V Inverter
20	PR-EA0295	1	TELERUPTOR
21	PR-EA0296	1	RELAY 12V 120A
22	PR-EA0292	1	RELAY
23	PR-EA0292	1	RELAY
24	PR-EA0291	1	RELAY
25	PR-EA0291	1	RELAY





PRESIDIO FUSES IN SIDE  
M703-HAU, 11:01:16



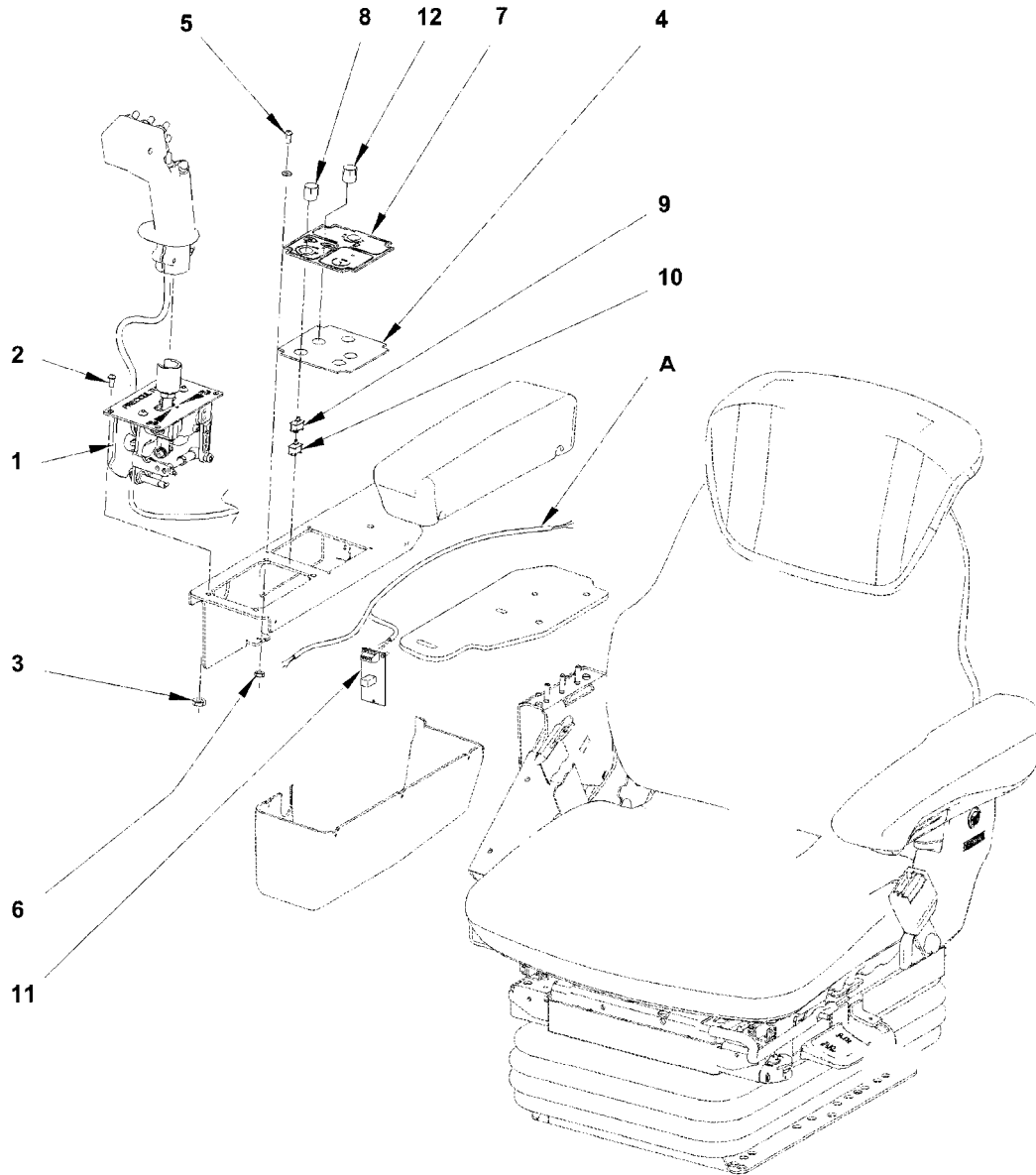
# M703-HAU



PRESIDIO FUSES IN SIDE  
M703-HAU, 11:01:16

Page 1  
Date 12.08.2020 8:20

Pos.	parts-n°	order qty	description
1	PR-EA0115	1	FUSE BLADE 7.5 AMP
2	PR-EA0289	1	BLADE FUSE 30 AMP
3	PR-EA0116	1	BLADE FUSE 15 AMP
4	PR-EA0116	1	BLADE FUSE 15 AMP
5	PR-EA0116	1	BLADE FUSE 15 AMP
6	PR-EA0114	1	BLADE FUSE 10 AMP
7	PR-EA0117	1	BLADE FUSE 20 AMP
8	PR-EA0117	1	BLADE FUSE 20 AMP
9	PR-EA0116	1	BLADE FUSE 15 AMP
10	PR-EA0116	1	BLADE FUSE 15 AMP
11	PR-EA0115	1	FUSE BLADE 7.5 AMP
12	PR-EA0115	1	FUSE BLADE 7.5 AMP
13	PR-EA0117	1	BLADE FUSE 20 AMP
14	PR-EA0117	1	BLADE FUSE 20 AMP
15	PR-EA0342	1	U.S. MINI FUSE 15 AMP BLUE
16	PR-EA0342	1	U.S. MINI FUSE 15 AMP BLUE
17	PR-EA0337	1	FUSE MINI GREY U.S. 2AMP BY 50
18	PR-EA0342	1	U.S. MINI FUSE 15 AMP BLUE
19	PR-EA0338	1	U.S. FUSE MINI PURPLE 3 AMP
20	PR-EA0337	1	FUSE MINI GREY U.S. 2AMP BY 50
21	PR-EA0341	1	U.S. MINI FUSE 10 AMP RED
22	PR-EA0341	1	U.S. MINI FUSE 10 AMP RED
23	PR-EA0342	1	U.S. MINI FUSE 15 AMP BLUE
24	PR-EA0342	1	U.S. MINI FUSE 15 AMP BLUE
25	PR-EA0289	1	BLADE FUSE 30 AMP
26	PR-EA0339	1	U.S. MINI FUSE 5 AMP BEIGE
27	PR-EA0341	1	U.S. MINI FUSE 10 AMP RED
28	PR-EA0288	1	BLADE FUSE 2 AMP
29	PR-EA0119	1	BLADE FUSE 5 AMP
30	PR-EA0116	1	BLADE FUSE 15 AMP
31	PR-EA0116	1	BLADE FUSE 15 AMP
32	PR-EA0803	1	FUSE 70 AMP
33	PR-EA0803	1	FUSE 70 AMP
34	PR-EA0803	1	FUSE 70 AMP
35	PR-EA0937	1	FUSE 40 A PR32/4240
36	PR-EA0937	1	FUSE 40 A PR32/4240
37	PR-EA0948	1	FUSE 125A MEGA
38	PR-EA0929	1	FUSE MEGA 250A ROSE
39	PR-EA0937	1	FUSE 40 A PR32/4240
40	PR-EA0118	1	BLADE FUSE 25 AMP
41	PR-EA0118	1	BLADE FUSE 25 AMP
42	PR-EA0119	1	BLADE FUSE 5 AMP



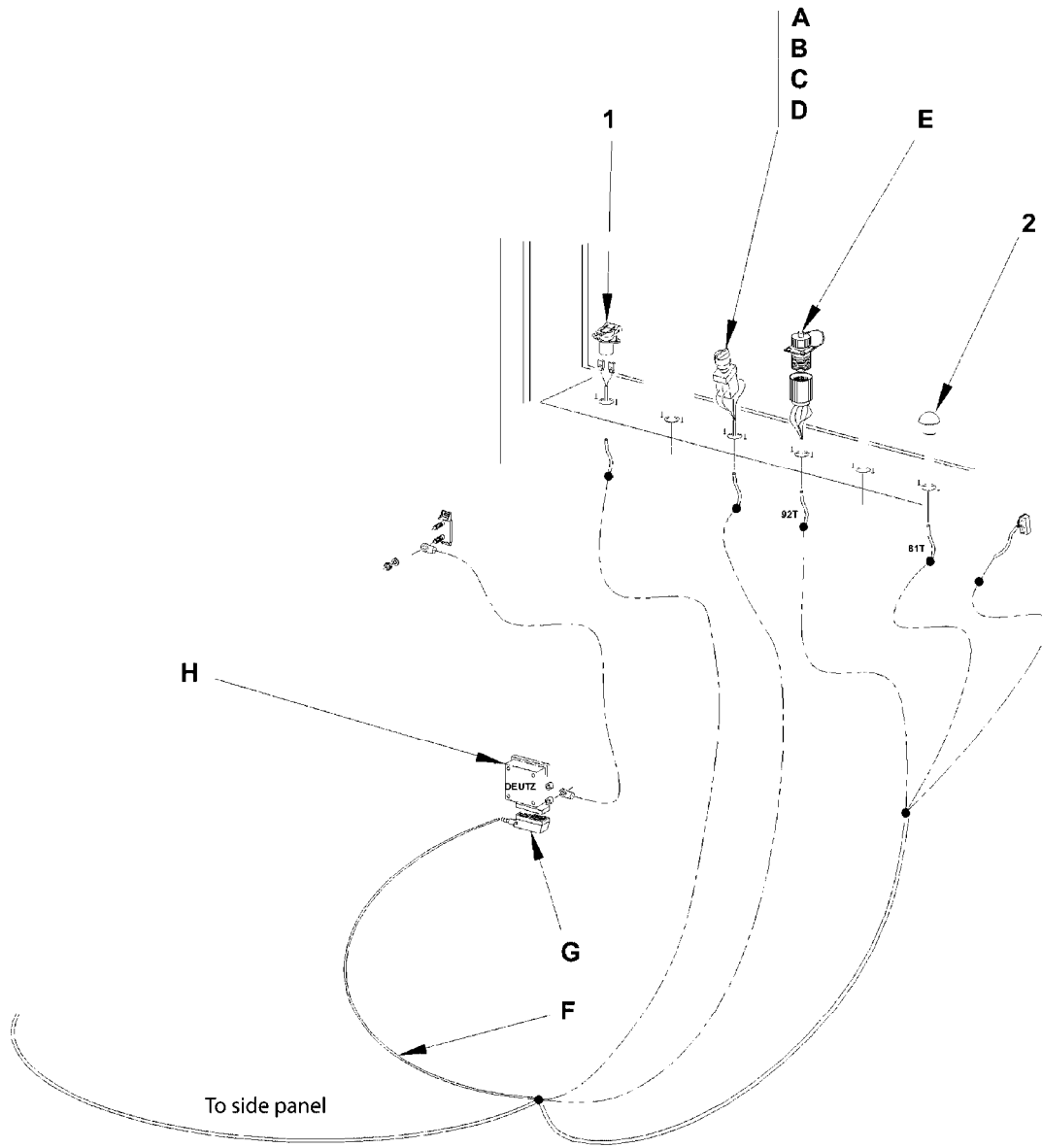
**M704-HAU**



PRESIDIO WIRING HARNESS CONS.  
M704-HAU, 11:01:16

Page 1  
Date 12.08.2020 8:20

Pos.	parts-n°	order qty	description
1	PR-XX0299	1	MANIPULATOR
2	PR-DB5224006020	1	RHC SCREW M 6X20 STEEL BY 100
3	PR-DB84444006	1	RING NYLON NUT M6 INOX
4	PR-FEPR32064	1	SMALL PLATE ARMREST
5	PR-DB4632003020	1	SCREW BHC M3X20 CLASS 10.9 SS
6	PR-DB95444003	1	NUT SERPRESS "M 3 stainless"
7	PR-DE0157	1	DECAL - ENGINE THROTTLE
8	PR-EA1020	1	BUTTON HEAD 2 pos. fixed ZB6AD28
9	PR-EA1007	1	BASE ZB6Y009 + ON/OFF SWITCH
10	PR-EA1008	1	ROTARY ELECTRIC CONTROL
11	PR-XX0010	1	ACCELERATION OF THERMAL MODULE
12	PR-EA1006	1	HEADER 3POS BUTTON. fixed ZB6AD23
A	PR-EA0604-05	1	HARNESS ARM REST



**M705-HAU**

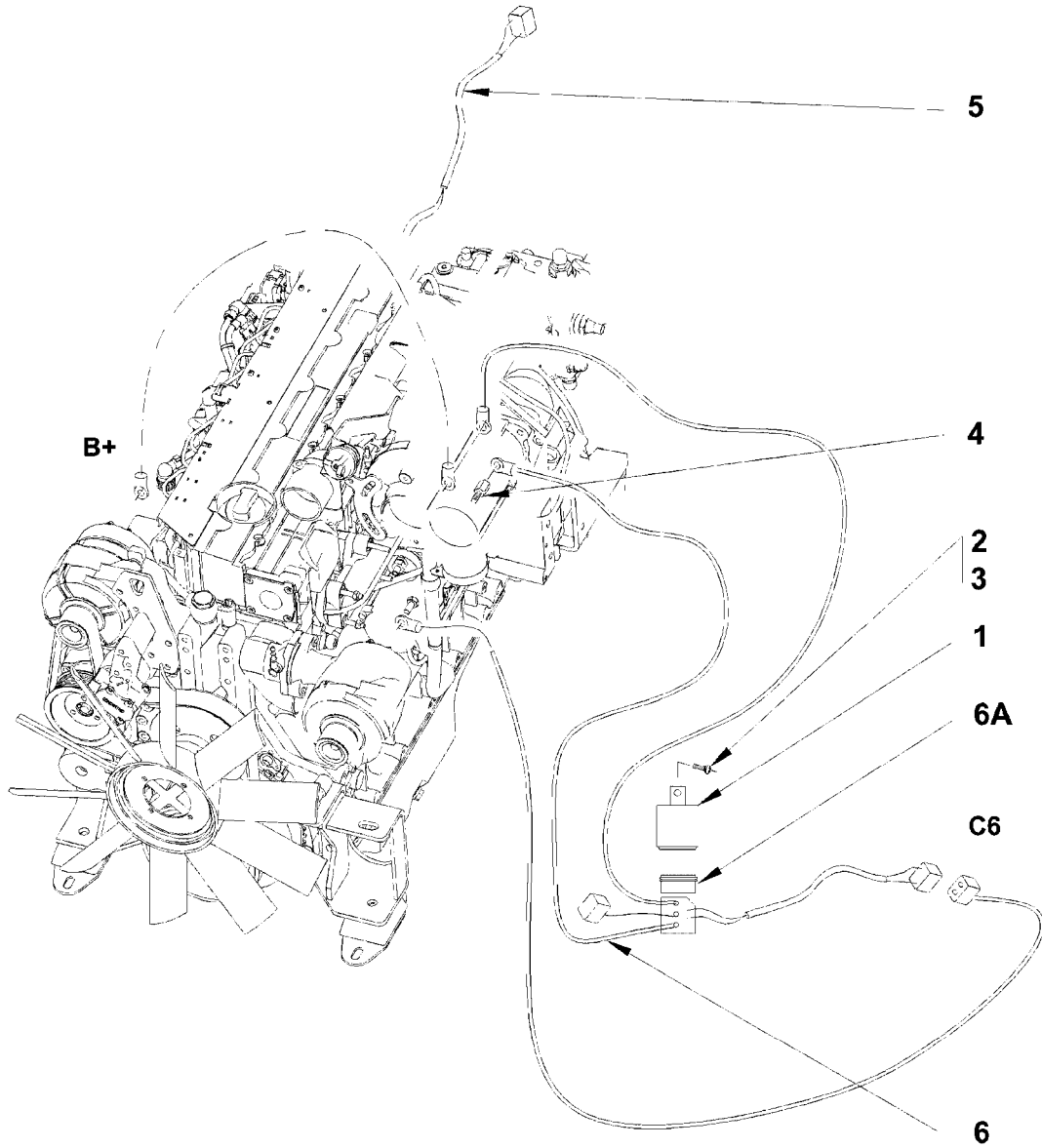


PRESIDIO ELECTRICAL CONSOLE  
M705-HAU, 11:01:16

Page 1

Date 12.08.2020 8:20

Pos.	parts-n°	order qty	description
1	PR-EA0003	1	SOCKET DIN 9680 (FEMALE)
2	PR-DD0180	1	RUBBER CAP ROUND BLACK 25
A	PR-EA0935	1	TURNING GREEN BUTTON 2 POSN
B	PR-EA0936	1	LIGHT BUTTON EA0935
C	PR-EA0107-01	1	ELECTRIC ELEMENT (NO)
D	PR-EA0108	1	ELECTRIC ELEMENT (NC)
E	PR-MA0255	1	ENGINE DIAG.PORT TCD2012
F	PR-EA0645	1	BEAM COMPUTER PR2540 2RD
H	PR-XX0206	1	HOUSING ENGINE CONTROL ECU
I	PR-EA0644	1	SEAT HARNESS PR2540 2RD
G	PR-MA0247	1	ECU CONNECTOR TCD2012



# M706-HAU

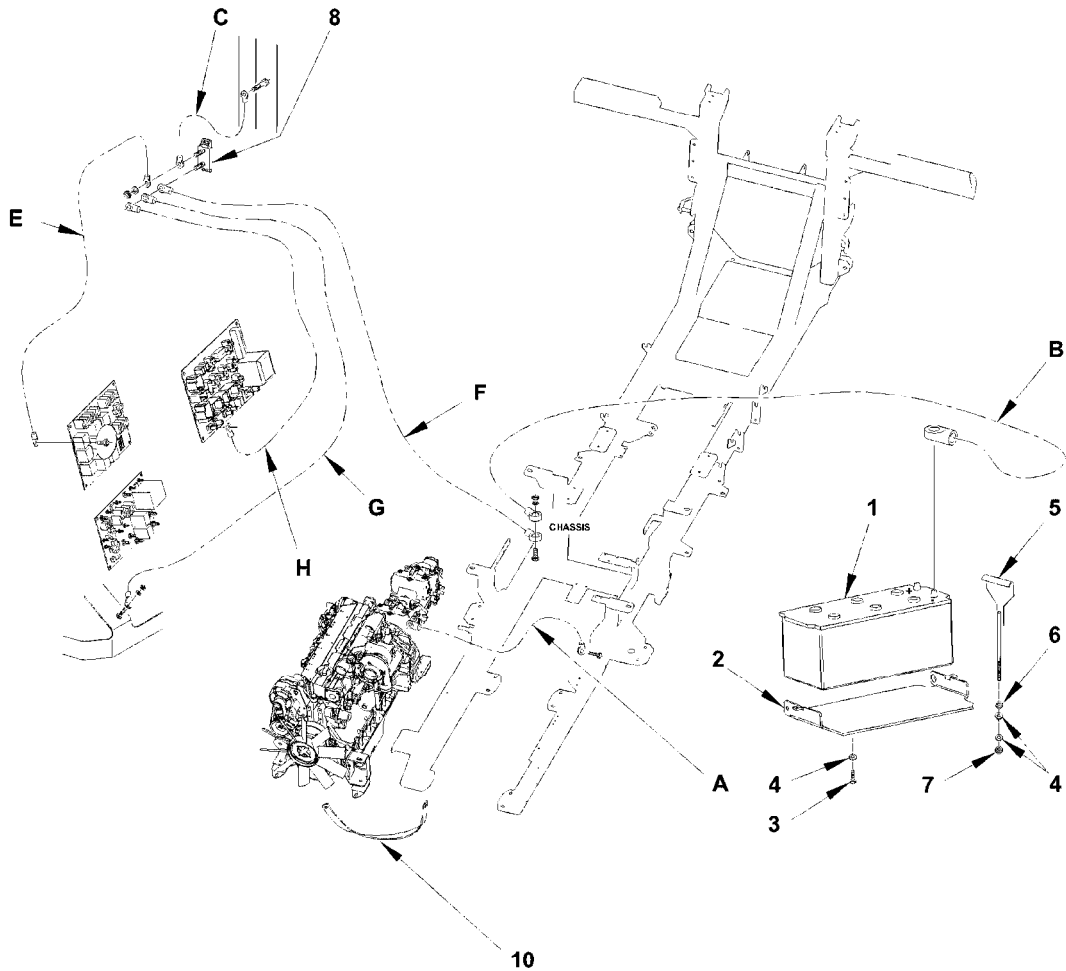


PRESIDIO ELECTRICAL ON ENGINE  
M706-HAU, 11:01:16

Page 1  
Date 12.08.2020 8:20

Pos.	parts-n°	order qty	description
1	PR-EA1118	1	RELAY 12V SEALED BY 200
2	PR-DB5112005016	1	SCREW M 5x16 cl. 4.8-Zn"
3	PR-DB9522005	1	NUT SERPRESS "M 5"
4	PR-FT0060	1	STARTER EXTENSION M10
5	PR-MA0251/01	1	ENGINE HARNESS-TRA TCD2012
6	PR-EA0650	1	BEAM RELAY START PR2540
6A	PR-EA1119	1	ADAPTOR SEALED RELAY EA1118





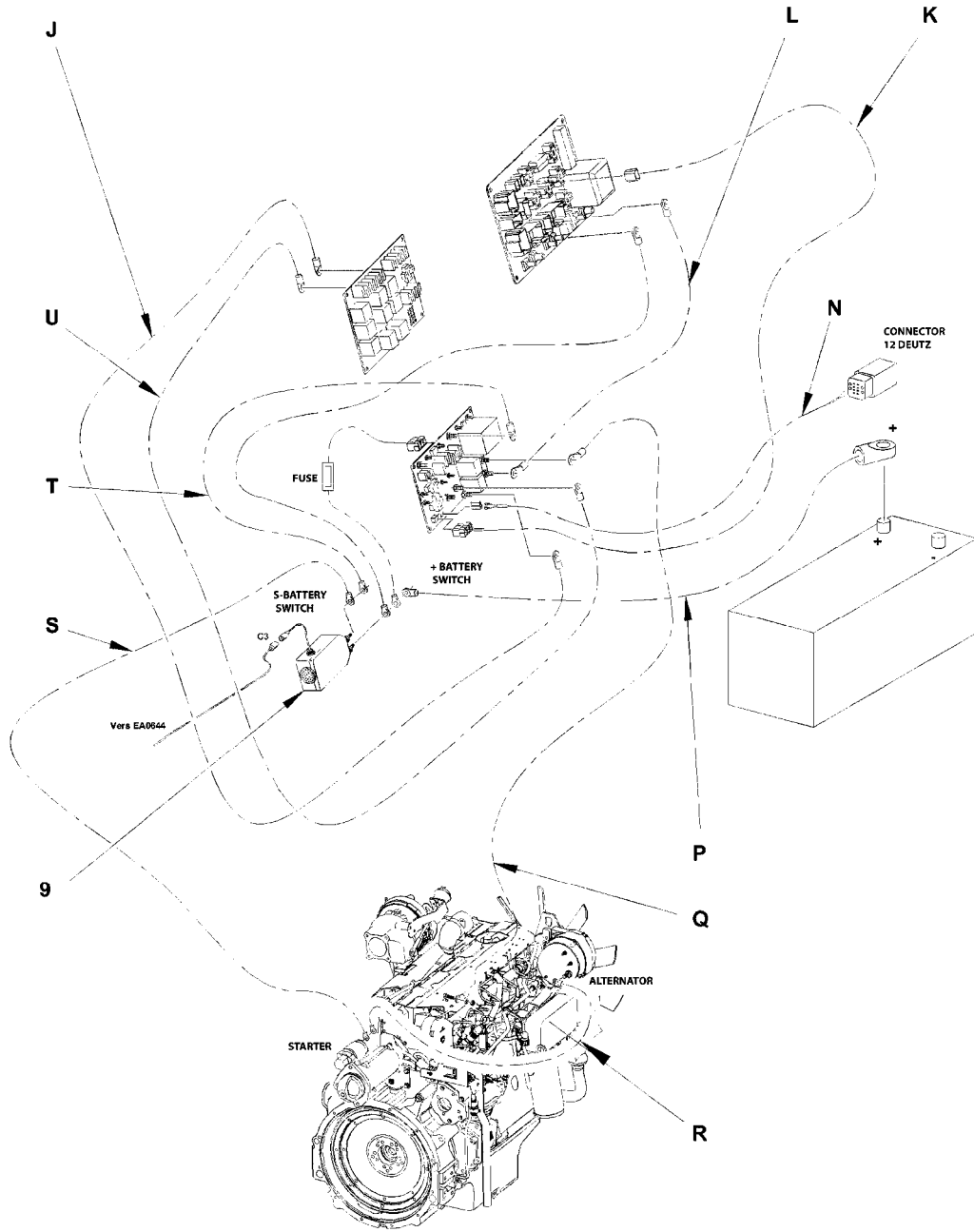
**M707-HAU**



PRESIDIO GND WIRING  
M707-HAU, 11:01:16

Page 1  
Date 12.08.2020 8:20

Pos.	parts-n°	order qty	description
1	PR-EA0008	1	BATTERY 12V/180Ah/1000A 680032
2	PR-FEPR25095	1	BATTERY HOLDER PR2540
3	PR-DB1044008020	1	HM 8x20 SCREW INOX
4	PR-DS1504008	1	WASHER DECOL. 0.5 M 8x18x1-Inox
5	PR-FEPR32119	1	BATTERY MOUNT
6	PR-DB8144008	1	NUT M 8 INOX
7	PR-DB8444008	1	RING NYLON NUT M 8 INOX
8	PR-EA0519	1	GROUND TERMINAL
10	PR-EA0141	1	GROUND STRAP LG 300 MM 10
A	PR-EA0604-30	1	ENGINE HARNESS F.GROUND
B	PR-EA0604-09	1	HARNESS FOR BATTERY -/CHASSIS
C	PR-EA0604-23	1	HARNESS F. - GROUND TERMINAL
E	PR-EA0604-19	1	HARNESS FOR - TERMINAL / PLATINUM
F	PR-EA0604-10	1	HARNESS FOR FRAME/GROUND TERM.
G	PR-EA0604-29	1	BEAM SUPPORT FOR GROUND
H	PR-EA0604-18	1	HARNESS FOR - TERMINAL / PLATINUM



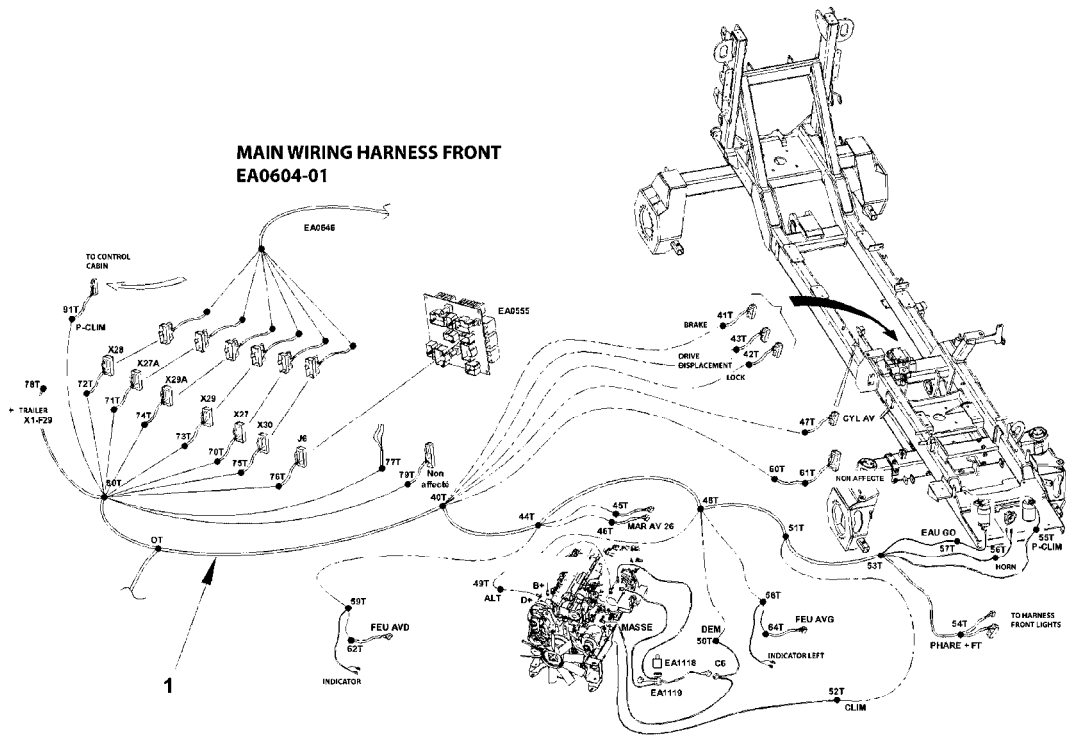
**M708-HAU**



PRESIDIO POWER WIRING  
M708-HAU, 11:01:16

Page 1  
Date 12.08.2020 8:20

Pos.	parts-n°	order qty	description
9	PR-EA0776	1	BATTERY SWITCH 300A BIST CDE ELE
J	PR-EA0604-14	1	HARNESS FOR AFTER CONTACT +
K	PR-EA0648	1	BEAM CDE PLATINUM PR2540 2RD
L	PR-EA0604-13	1	HARNESS FOR AFTER CONTACT +
M	PR-EA0604-15	1	HARNESS FOR BEFORE CONTACT +
N	PR-EA0604-21	1	BEAM TO ORDER
P	PR-EA0604-07	1	HARNESS FOR BATTERY + SIDE
Q	PR-EA0604-12	1	HARNESS FOR GLOW +
R	PR-EA0604-17	1	HARNESS FOR STARTER
S	PR-EA0604-11	1	WIRING HARNESS + STARTER
T	PR-EA0604-08	1	BEAM CUTTER BATTERY /
U	PR-EA0604-16	1	HARNESS FOR BEFORE CONTACT +



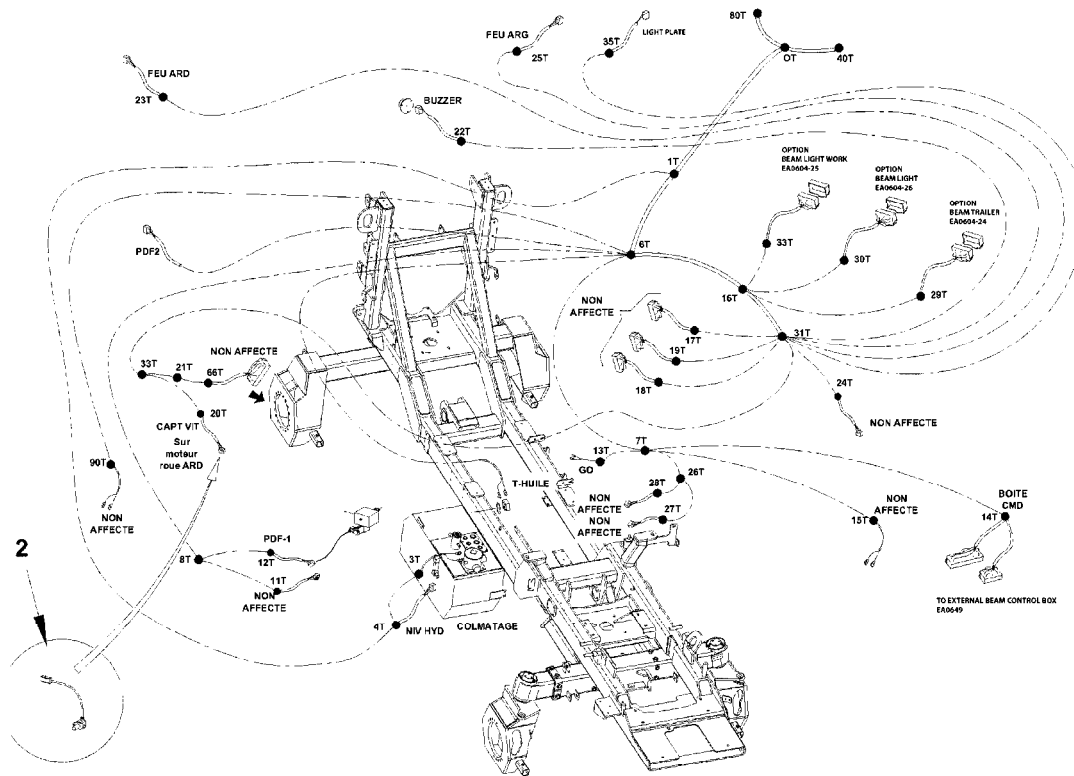
**M709-HAU**



PRESIDIO MAIN WIRING HARNESS F  
M709-HAU, 11:01:16

Page 1  
Date 12.08.2020 8:20

parts-n°	order qty	description
PR-EA0604-0 1	1	HARNESS FRONT AND REAR BEAM



MAIN WIRING HARNESS REAR  
EA0604-01

# M710-HAU

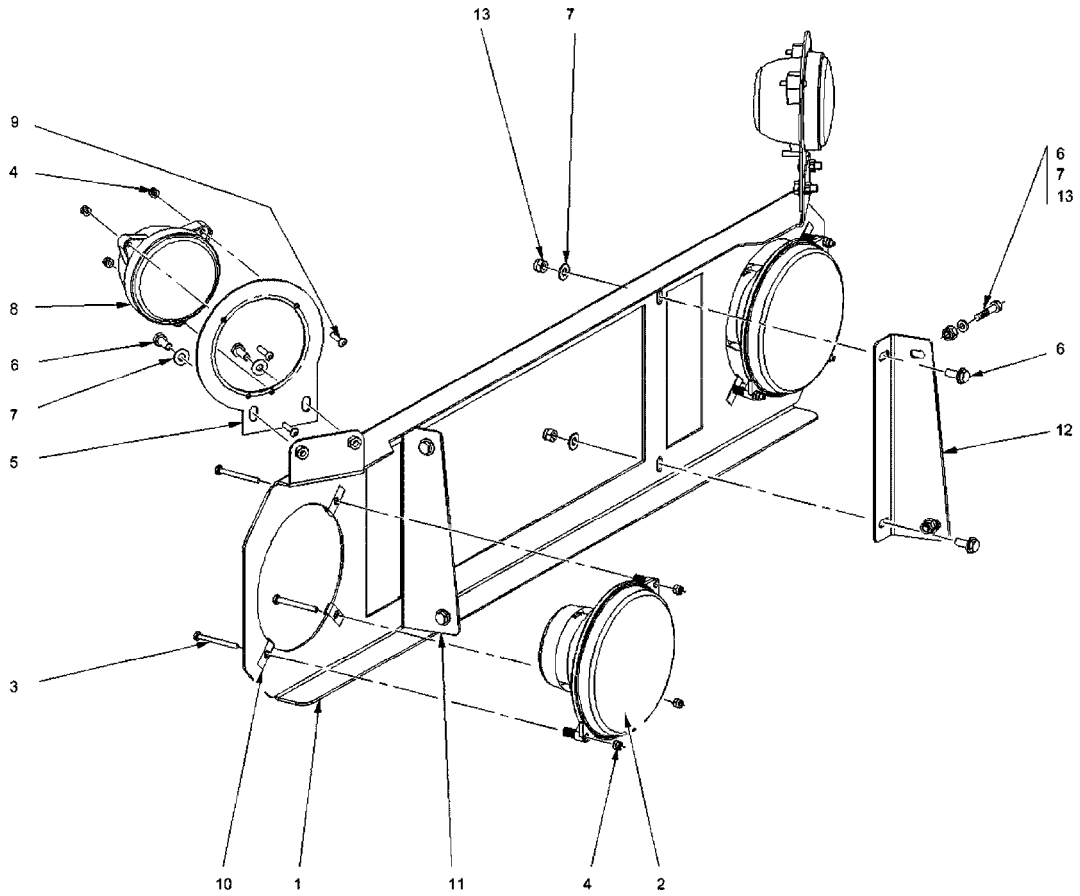


PRESIDIO MAIN WIRING HARNESS R  
M710-HAU, 11:01:16

Page 1  
Date 12.08.2020 8:20

parts-n°	order qty	description
PR-XX0203	1	SPEED SENSOR A6VE





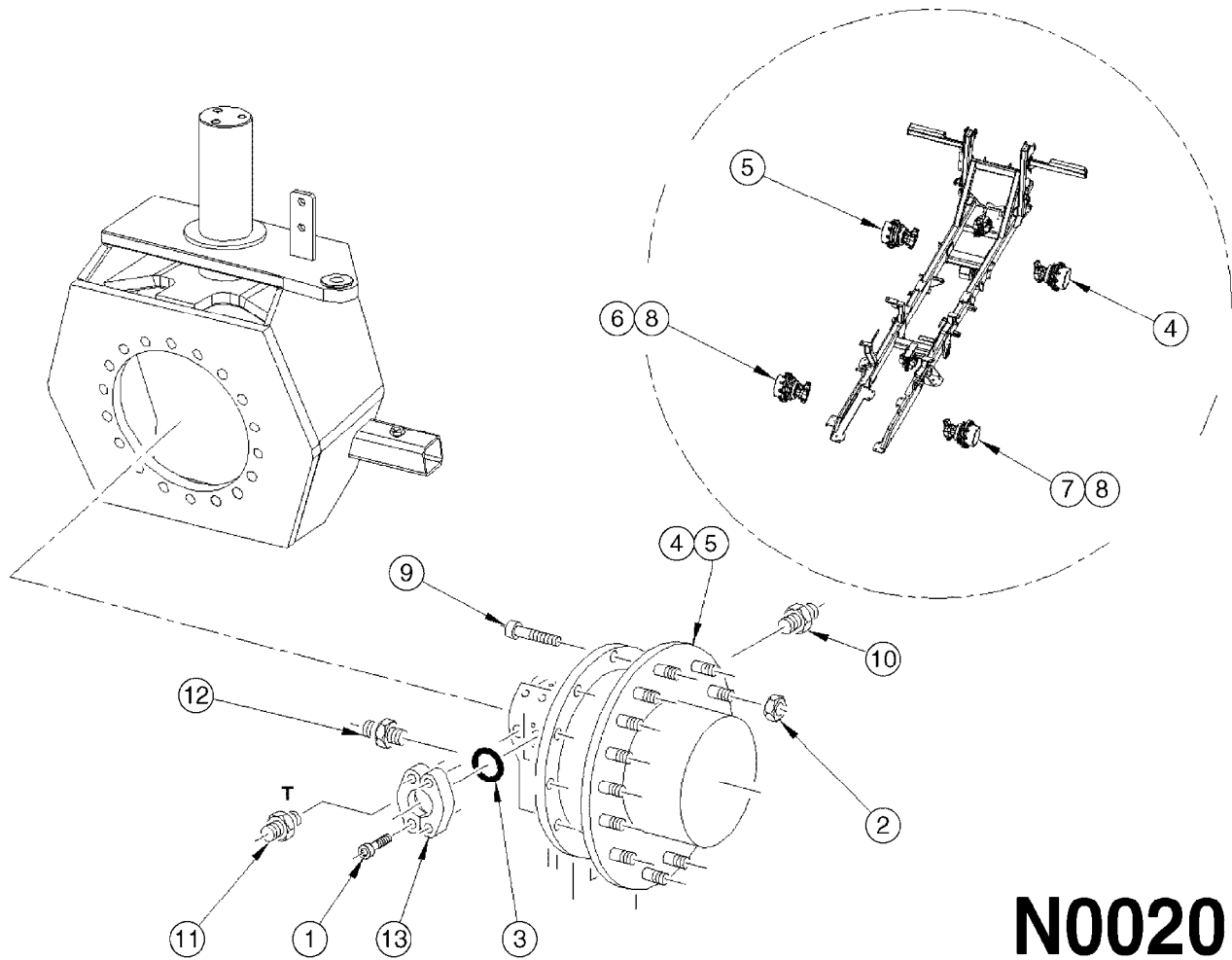
**M711-HAU**



PRESIDIO FRONT LIGHTS  
M711-HAU, 11:01:16

Page 1  
Date 12.08.2020 8:20

Pos.	parts-n°	order qty	description
1	PR-FEPR32132	1	SUPPORT FRONT LIGHTS PR3240
2	PR-EA0620	1	SPOTLIGHT M 133 H4 12V/55W
3	PR-DB1044004040	1	HM 4x40 SCREW INOX
4	PR-DB8444004	1	RING NYLON NUT M 4 INOX
5	PR-FEPR32135	1	SUPPORT WORK LIGHTS PR3240
6	PR-DB1044006016	1	HM 6x16 SCREW INOX
7	PR-DS1502006	1	WASHER DECOL. 0.2 M 6x14x1-Zn
8	PR-EA0621	1	Module 70 mm FRONT PROJECTOR
9	PR-DB4644004020	1	SCREW BHC M4X20 A2 SS
10	PR-DD0524	1	CLIPS NUT M4
11	PR-FEPR32133	1	BRACKET RIGHT FRONT LIGHTS PR3240
12	PR-FEPR32134	1	BRACKET LEFT FRONT LIGHTS PR3240
13	PR-DB8444006	1	RING NYLON NUT M6 INOX



**N0020**

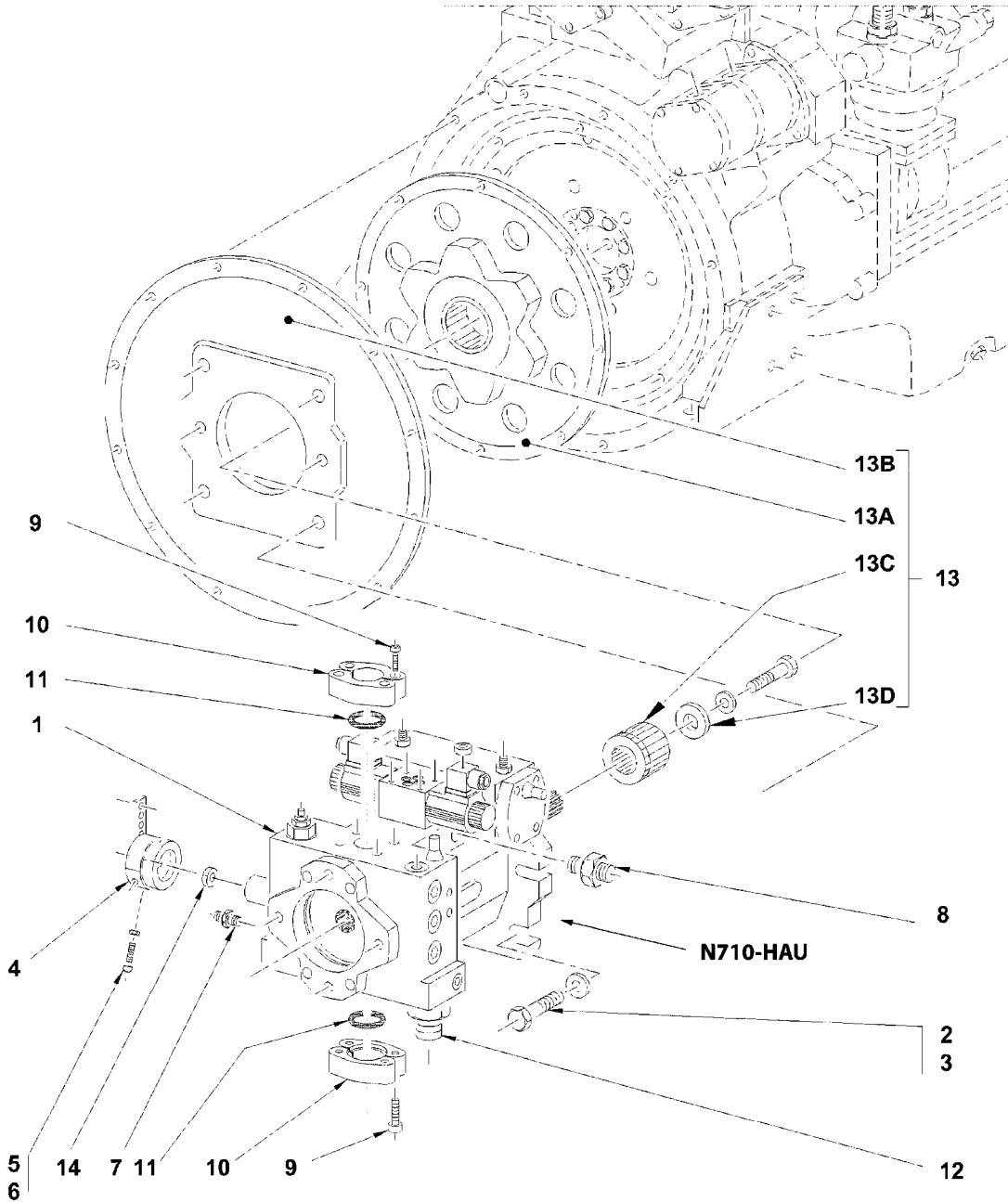


PRESIDIO HYDRAULIC MOTORS  
N0020-HIN, 30:07:19

Page 1

Date 12.08.2020 8:20

Pos.	parts-n°	order qty	description
1	PR-DB2042010035	1	SCREW CHC Class 12.9 M10X 35 Zn
2	PR-DB9143022150	1	WHEEL NUT, M22X1.5, RH MOTOR, PRESIDIO POCLAIN WHEEL MOTORS (REAR)
2	PR-HM7023-02	1	WHEEL NUT, M22X1.5, FH MOTOR, PRESIDIO REXROTH WHEEL MOTORS (FRONT)
3	PR-HJ0031	1	SPY GEAR FLANGE SEAL MOTORCYCLE
4	PR-HM7000	1	HYDRAULIC WHEEL MOTOR LEFT GFT 13 T2 i = 85
5	PR-HM7001	1	HYDRAULIC WHEEL MOTOR RIGHT GFT 13 T2 8568 i
6	PR-HM7021	1	HYDRAULIC WHEEL MOTOR MCR15 FRONT RIGH
7	PR-HM7021G	1	HYDRAULIC WHEEL MOTOR MCR15 FRONT LEFT
8	PR-HM7022	1	HYDRAULIC WHEEL MOTOR STD
9	PR-HPR916568428	1	WHEEL STUD M22X60
10	PR-HR0012	1	HYDRAULIC CONNECTION-LAW MJ9/16 MI14x1
11	PR-HR0110	1	HYDRAULIC CONNECTION RIGHT MJ3 / 4-MI1
12	PR-HR0124	1	HYDRAULIC CONNECTION RIGHT MJ1 / 2-MI1
13	PR-HT0031	1	HALF FLANGE SAE 6000 3/4 MOD 12 "



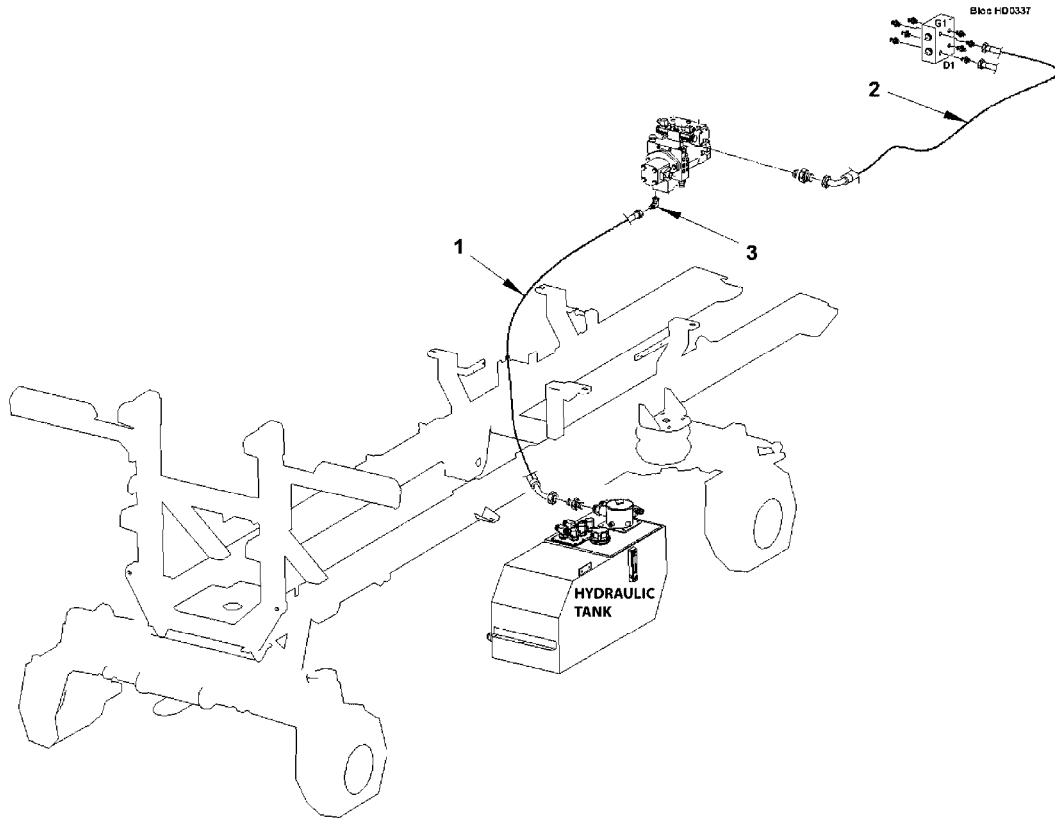
# N700-HAU



PRESIDIO FORWARD PUMP  
N700-HAU, 11:01:16

Page 1  
Date 12.08.2020 8:20

Pos.	parts-n°	order qty	description
1	PR-HP3030	1	HYDRAULIC PUMP A4VG125 EP1DM3L/32R-NZF
2	PR-DB1022020040	1	HM Class 8.8 M 20X 40 SCREW
3	PR-DS1502020	1	WASHER DECOL. M20x40x3-Zn
4	PR-FE0204	1	AUTOMOTIVE SWITCH LOCK A4VG125
5	PR-DB2042008030	1	SCREW CHC Class 12.9 M 8X 30 Zn
6	PR-DB8122008	1	NUT M 8 class 8-Zn
7	PR-HR0112	1	HYDRAULIC CONNECTION RIGHT MJ11/16-MI2
8	PR-HR0112	1	HYDRAULIC CONNECTION RIGHT MJ11/16-MI2
9	PR-DB2042014045	1	SCREW CHC Class 12.9 M14X 45 Zn
10	PR-HT0033	1	HALF FLANGE SAE 6000 1 1/4 MOD 20 "
11	PR-HJ0033	1	O-RING 37.7 X 3.53
12	PR-HR0117	1	HYDRAULIC CONNECTION RIGHT MJ15/16-MI4
13	PR-MC0034	1	DRIVE COUPLING
13A	PR-MC010	1	part available on request
13B	PR-MC0301	1	MOUNTING PLATE
13C	PR-MC0201	1	GEAR
13D	PR-MC0019	1	HOLD FOR BUSH
14	PR-HPR909439335	1	RESTRICTOR 22/6.8



**N701-HAU**



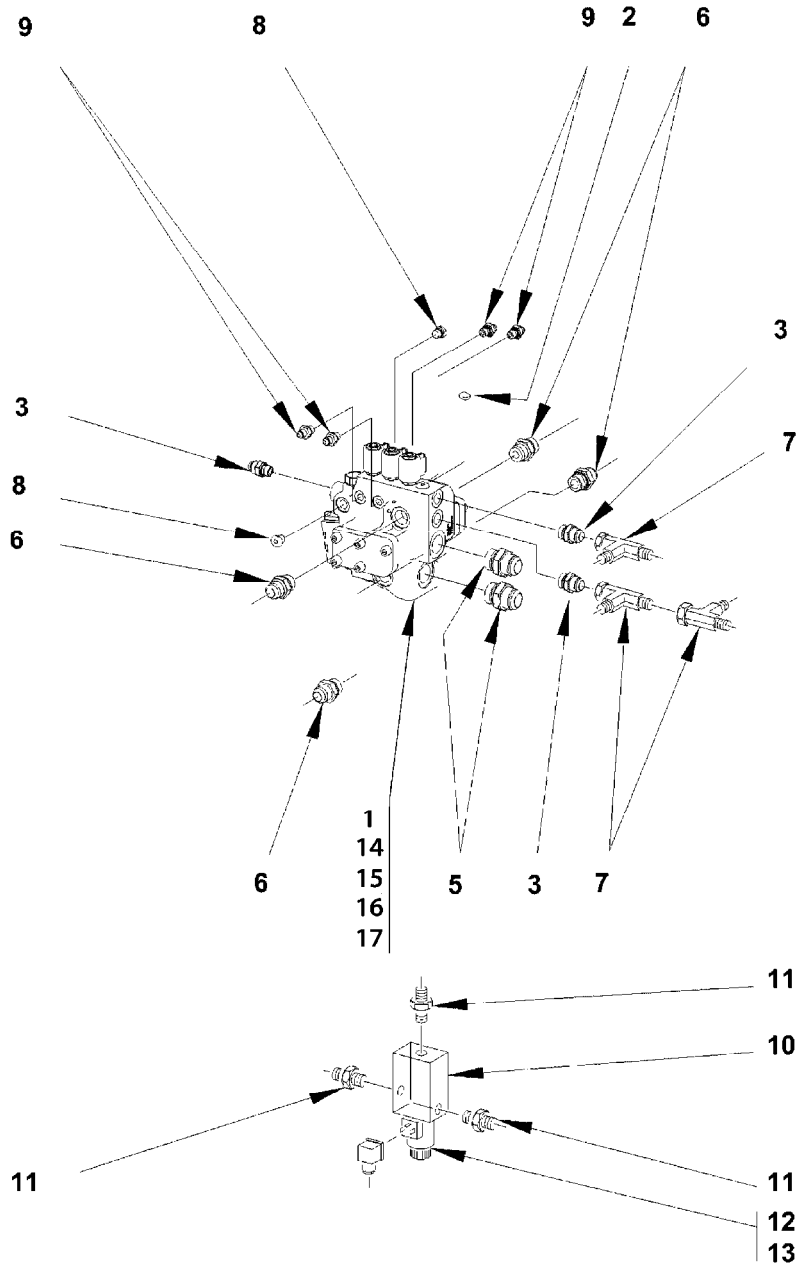
PRESIDIO FORW. PUMP HYD. CIRC.  
N701-HAU, 11:01:16

Page 1

Date 12.08.2020 8:20

Pos.	parts-n°	order qty	description
1	PR-HF1001AT0069	1	HOSE FL 1" 1AT 2250 772 772
2	PR-HF1001AT0063	1	HOSE FL 1" 1AT 950 772 775
3	PR-HR0005	1	HYDRAULIC CONNECTION ELBOW MJ15/16-FJ1





# N703-HAU

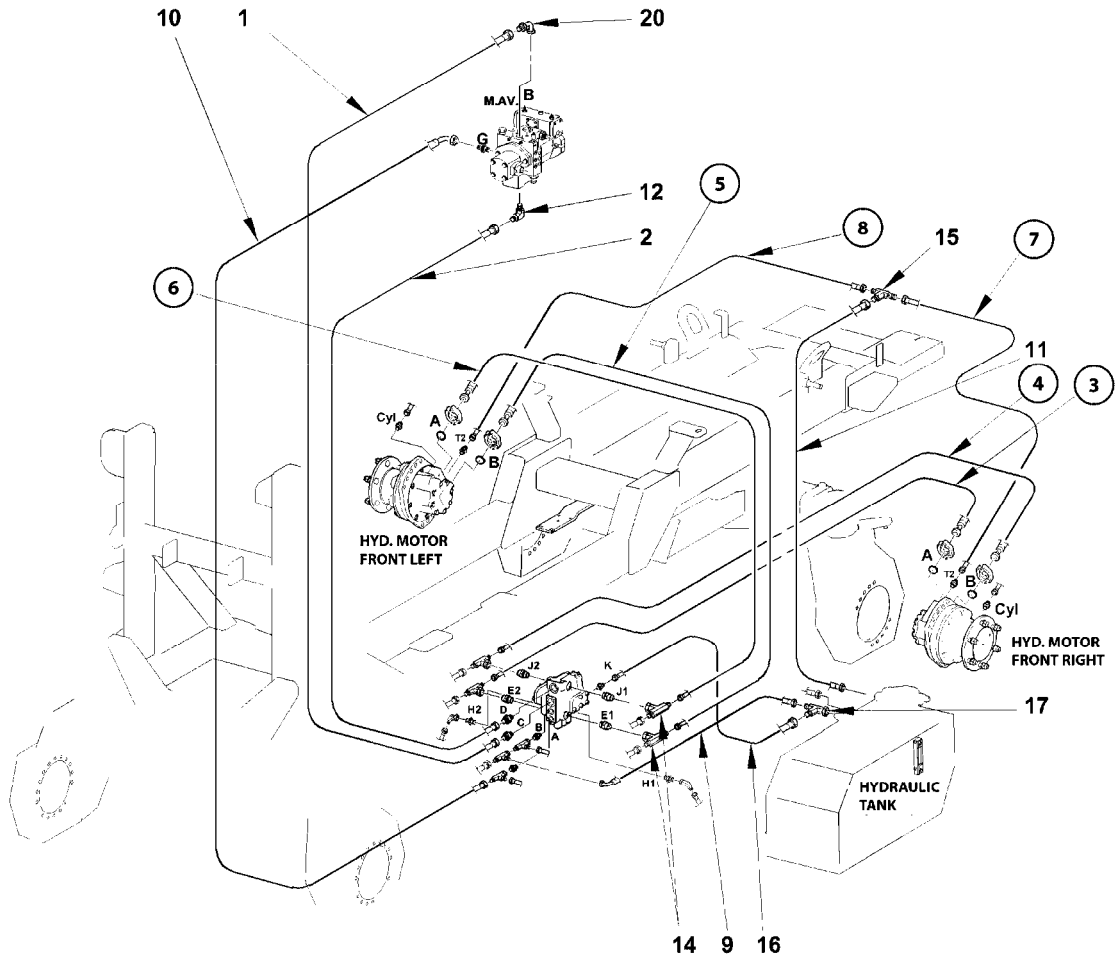


PRESIDIO DRIVE CONTROL VALVE  
N703-HAU, 11:01:16

Page 1

Date 12.08.2020 8:20

Pos.	parts-n°	order qty	description
1	PR-HD0332	1	BLOCK TRANSMISSION range agri
2	PR-DS0004	1	SHIM INT. BLOC HYD 10X16X0, 5
3	PR-HR0013	1	HYDRAULIC CONNECTION RIGHT MJ3 / 4-MG1
4	PR-HR0047	1	HYDRAULIC CONNECTION ELBOW MJ3 / 4-MG1
5	PR-HR0093	1	HEX NIPPLE #16JICM-#16BSPPM
6	PR-HR0087	1	HEX FITTING #12 JIC M X G3/4"M STR
7	PR-HR0008	1	HYDRAULIC CONNECTION TMRJ3 / 4-FJ3 / 4
8	PR-HR0001	1	BM CYL CAP 3/8 "
9	PR-HR0041	1	HYDRAULIC CONNECTION RIGHT MJ1 / 2-MG1
10	PR-HD0218	1	3-WAY SOLENOID FOR 12VTS
11	PR-HR0041	1	HYDRAULIC CONNECTION RIGHT MJ1 / 2-MG1
12	PR-HD0218-01	1	COIL 12 VOLT FOR PR-HD0218
13	PR-HD0218-02	1	COIL 24 VOLT FOR PR-HD0218
14	PR-HD0332-01	1	SEAL KIT INTERFACE BODY
15	PR-HD0332-02	1	ELECTRO 3/2 3/4 "16UNF COMPLETE
16	PR-HD0332-03	1	EXCHANGE VALVE
17	PR-HD0332-04	1	COIL 12 VOLT DC FLIGHT



3 4 5 6 7 8  
These hoses are depending on the track and the release of the chassis:  
To order please specify serial number of device

# N704-HAU

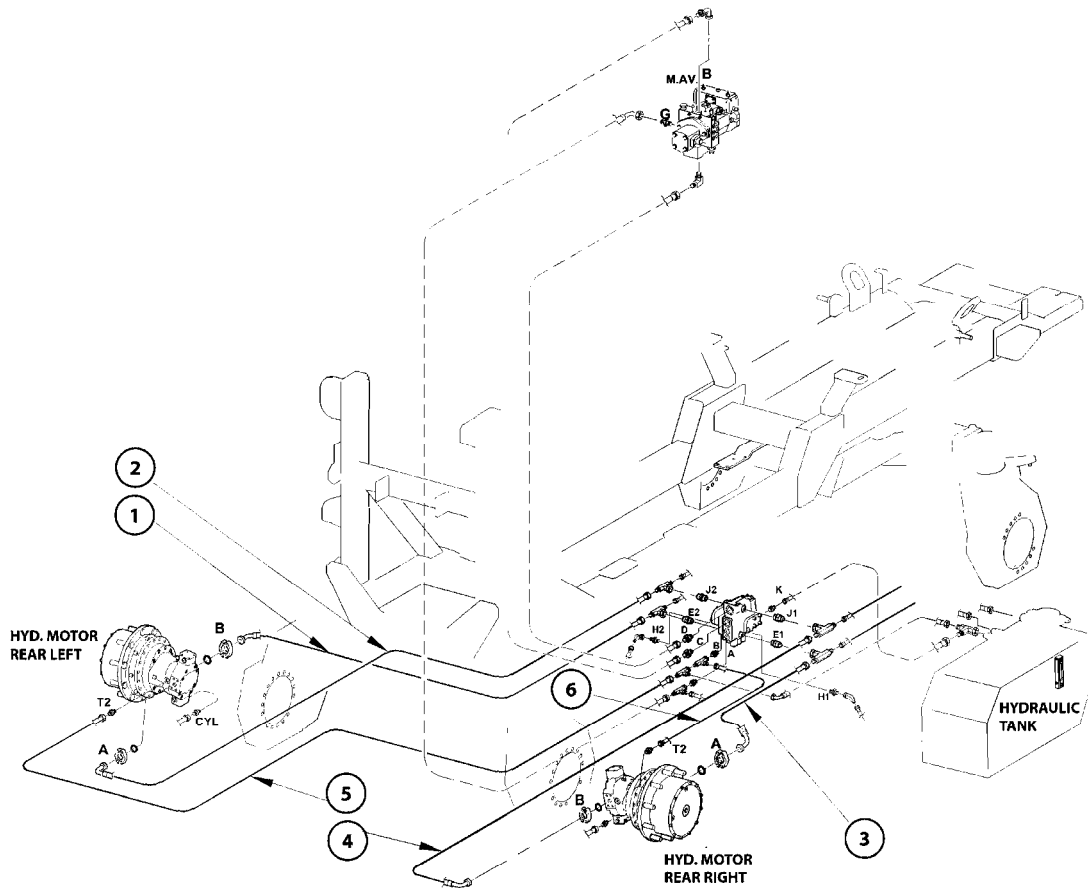


PRESIDIO FRONT TRANSMISSION C.  
N704-HAU, 11:01:16

Page 1

Date 12.08.2020 8:20

Pos.	parts-n°	order qty	description
1	PR-HF1004SH0129	1	HOSE FL 1" 4SH 1950 653 750
2	PR-HF1004SH0129	1	HOSE FL 1" 4SH 1950 653 750
3	PR-PR25-082	1	HOSE Depends on axle width and height
4	PR-PR25-083	1	HOSE Depends on axle width and height
5	PR-PR25-089	1	HOSE Depends on axle width and height
6	PR-PR25-090	1	HOSE Depends on axle width and height
7	PR-PR25-085	1	HOSE Depends on axle width and height
8	PR-PR25-092	1	HOSE Depends on axle width and height
9	PR-HF1202AT0130	1	HOSE FL 1/2 2AT 1300 703 753
10	PR-HF1202AT0231	1	HOSE FL 1/2 2AT 800 703 753
11	PR-HF1202AT0275	1	HOSE FL 1/2 2AT 2200 753 753
12	PR-HR0051	1	HYDRAULIC CONNECTION ELBOW MJ15/16-BR6
14	PR-HR0143	1	HYDRAULIC CONNECTION TMJ 11/16-FJ 1 "1
15	PR-HR0916	1	HYDRAULIC CONNECTION TMJ 9/16 "
17	PR-HR0008	1	HYDRAULIC CONNECTION TMRJ3 / 4-FJ3 / 4



- 1
- 2
- 3
- 4
- 5
- 6

These hoses are depending on the track and the release of the chassis:

To order please specify serial number of device

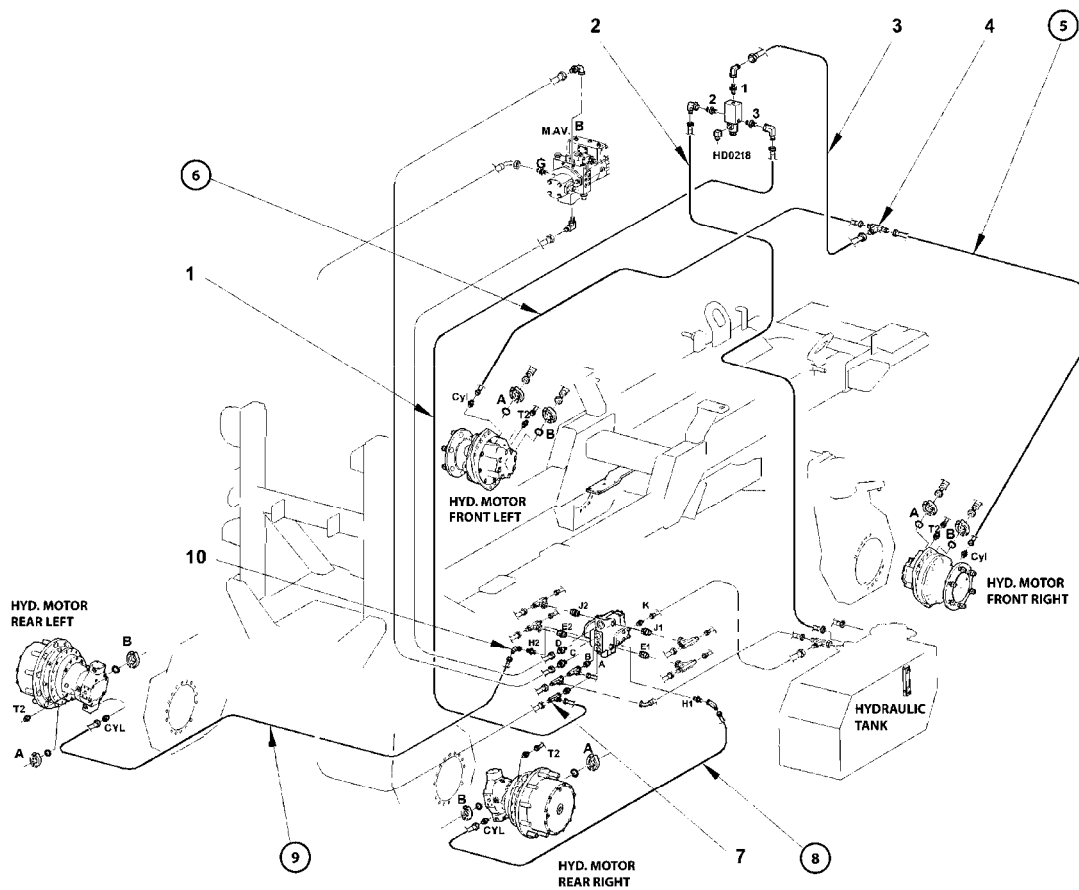
# N705-HAU



PRESIDIO REAR TRANSMISSION C.  
N705-HAU, 11:01:16

Page 1  
Date 12.08.2020 8:20

Pos.	parts-n°	order qty	description
1	PR-PR25-077	1	HOSE Depends on axle width and height
2	PR-PR25-076	1	HOSE Depends on axle width and height
3	PR-PR25-071	1	HOSE Depends on axle width and height
4	PR-PR25-070	1	HOSE Depends on axle width and height
5	PR-PR25-078	1	HOSE Depends on axle width and height
6	PR-PR25-074	1	HOSE Depends on axle width and height



5 6 8 9

These hoses are depending on the track and the release of the chassis:

To order please specify serial number of device

# N706-HAU

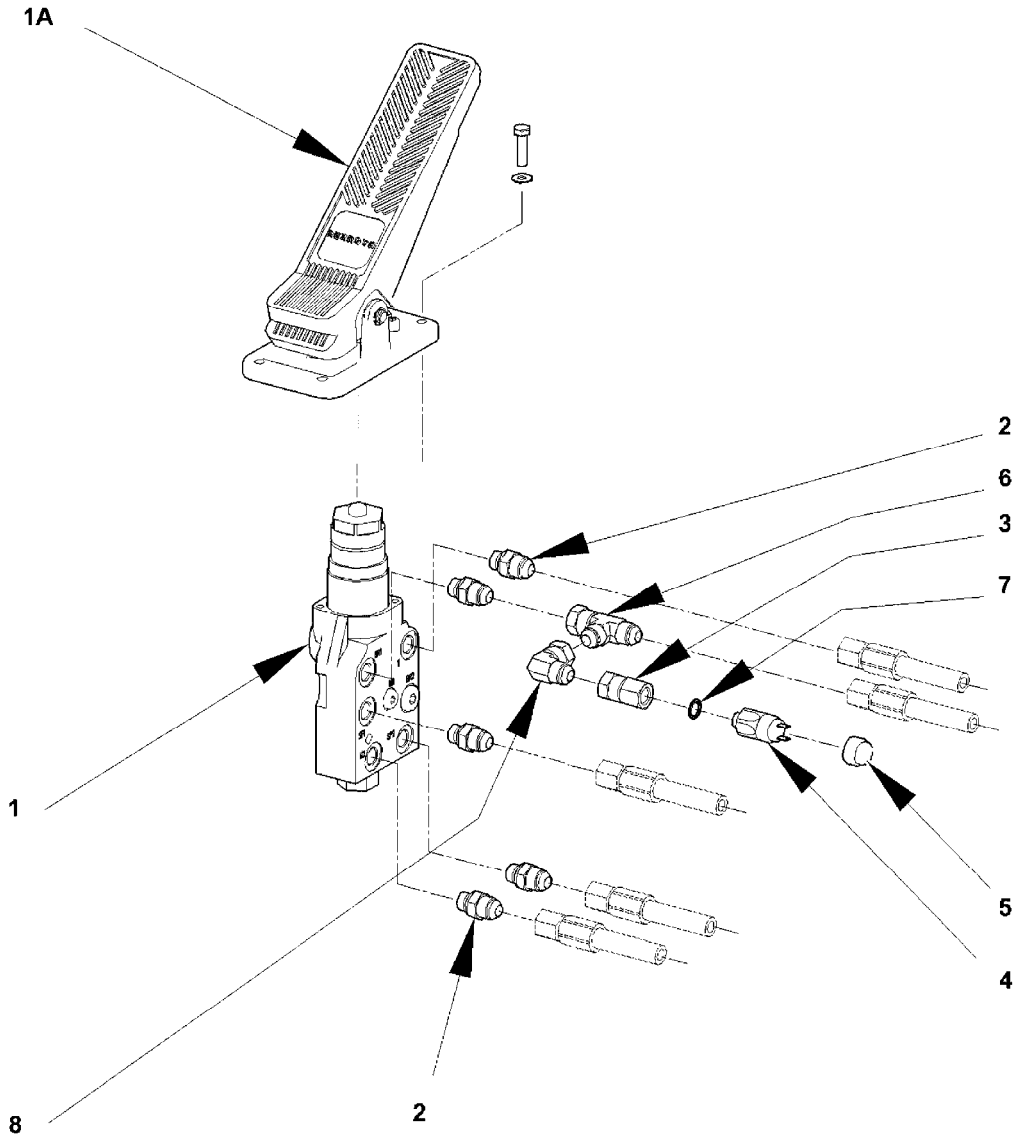


PRESIDIO ACCUMULATION HYD. C.  
N706-HAU, 11:01:16

Page 1  
Date 12.08.2020 8:20

Pos.	parts-n°	order qty	description
1	PR-HF5161AT0119	1	HOSE FL 5/16 2AT 720 606 687
2	PR-HF5161AT0109	1	HOSE FL 5/16 2AT 1600 606 687
3	PR-HF5161AT0567	1	HOSE FL 5/16 2AT 850 606 686
4	PR-HR0916	1	HYDRAULIC CONNECTION TMJ 9/16 "
5	PR-HF5161AT0574	1	HOSE FL 5/16 2AT 2900 681 686 2900
6	PR-HF5161AT0574	1	HOSE FL 5/16 2AT 2900 681 686 2900
7	PR-HR0008	1	HYDRAULIC CONNECTION TMRJ3 / 4-FJ3 / 4
8	PR-PR25-080	1	HOSE Depends on axle width and height
9	PR-PR25-073	1	HOSE Depends on axle width and height
10	PR-HR0174	1	HYDRAULIC CONNECTION ELBOW MJ1 / 2 - F





**N707-HAU**

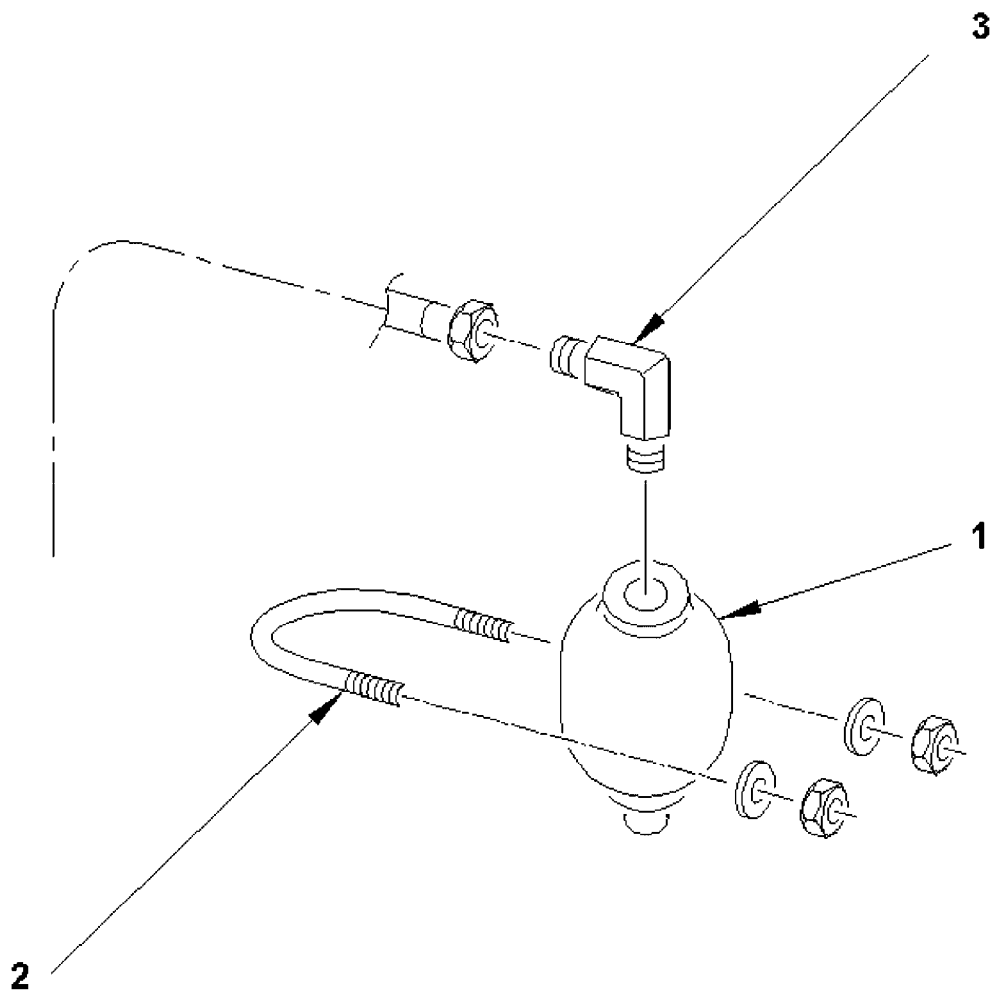


PRESIDIO DYNAMIC BRAKING UNIT  
N707-HAU, 11:01:16

Page 1

Date 12.08.2020 8:20

Pos.	parts-n°	order qty	description
1	PR-HA0019	1	BRAKE VALVE with inching
2	PR-HR0123	1	HYDRAULIC CONNECTION RIGHT MJ3 / 4-MI1
3	PR-HR5000	1	HYDRAULIC CONNECTION RIGHT FJ3 / 4-FG1
4	PR-EA0718	1	PRESSURE 0166-41103-1-043
5	PR-EA0718-01	1	CAP 1 PASS ON A WIRE 1.5 5mm
6	PR-HR0008	1	HYDRAULIC CONNECTION TMRJ3 / 4-FJ3 / 4
7	PR-HJ0014	1	JOINT
8	PR-HR0008	1	HYDRAULIC CONNECTION TMRJ3 / 4-FJ3 / 4



**N708-HAU**

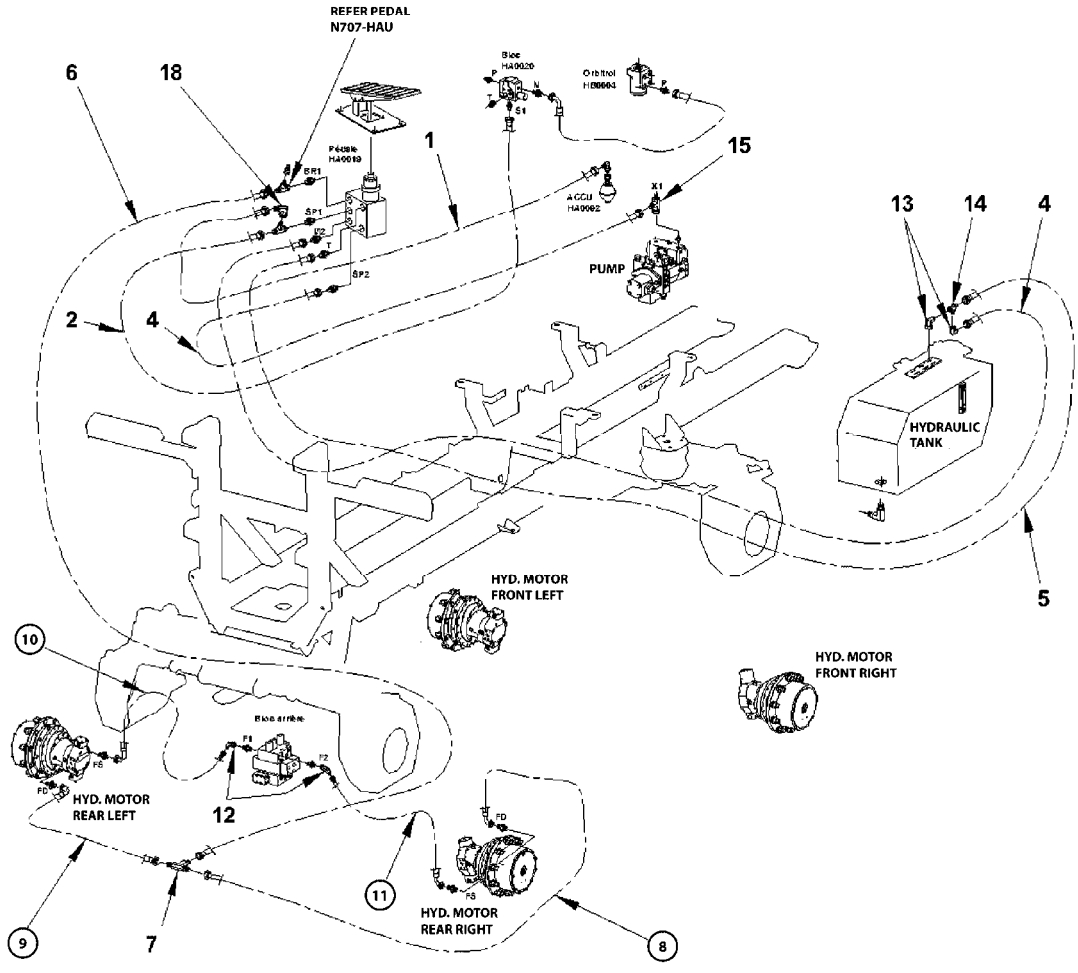


PRESIDIO DYNAMIC BRAKING ACCUM  
N708-HAU, 11:01:16

Page 1

Date 12.08.2020 8:20

Pos.	parts-n°	order qty	description
1	PR-HA0090	1	ACCUMULATOR 0.7L/60 BAR
2	PR-HA0093	1	CLAMP F.ACCUMULATOR 0.7L
3	PR-HR0047	1	HYDRAULIC CONNECTION ELBOW MJ3 / 4-MG1



8 9 10 11  
These hoses are depending on the track and the release of the chassis:  
To order please specify serial number of device

# N709-HAU



PRESIDIO BRAKING HYD. CIRCUIT  
N709-HAU, 11:01:16

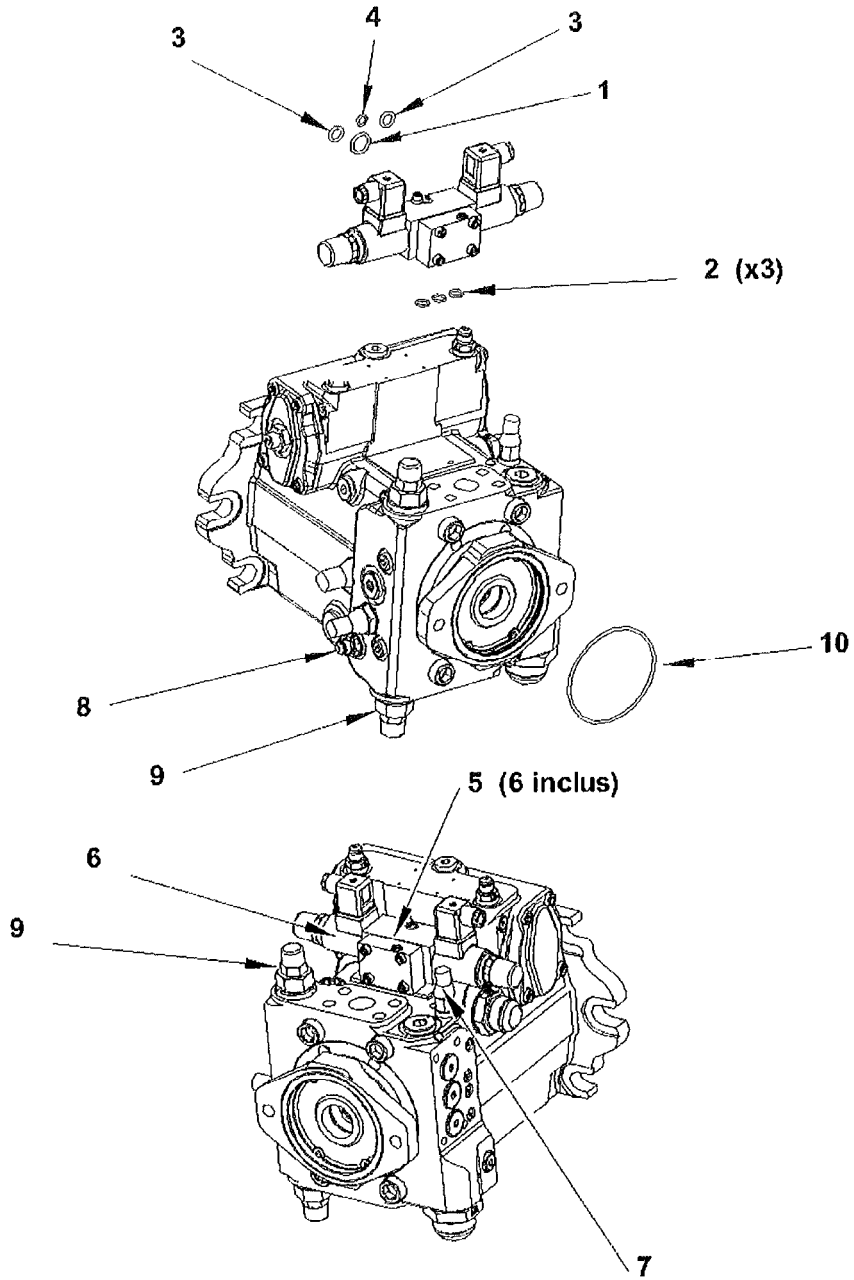
Page 1

Date 12.08.2020 8:20

Pos.	parts-n°	order qty	description
1	PR-HF1202AT0182	1	HOSE FL 1/2 2AT 1000 703 753
2	PR-HF1202AT0465	1	HOSE FL 1/2 2AT 2100 703 753
3	PR-HF5161AT0404	1	HOSE FL 5/16 1AT 1950 686 687
4	PR-HF1202AT0417	1	HOSE FL 1/2 2AT 1650 753 753
5	PR-HF1202AT0417	1	HOSE FL 1/2 2AT 1650 753 753
6	PR-HF1202AT0182	1	HOSE FL 1/2 2AT 1000 703 753
7	PR-HR0903	1	HYDRAULIC CONNECTION TMJ 3/4 "
8	PR-PR25-075	1	HOSE Depends on axle width and height
9	PR-PR25-081	1	HOSE Depends on axle width and height
10	PR-PR25-079	1	HOSE Depends on axle width and height
11	PR-PR25-072	1	HOSE Depends on axle width and height
12	PR-HR0174	1	HYDRAULIC CONNECTION ELBOW MJ1 / 2 - F
13	PR-HR0002	1	HYDRAULIC CONNECTION ELBOW MJ3/4-FJ3/4
14	PR-HR0008	1	HYDRAULIC CONNECTION TMRJ3 / 4-FJ3 / 4
15	PR-HR0904	1	HYDRAULIC CONNECTION TMRJ9/16 -FJ9/16



PRESIDIO FORWARD PUMP  
N710-HAU, 11:01:16



**N710-HAU**

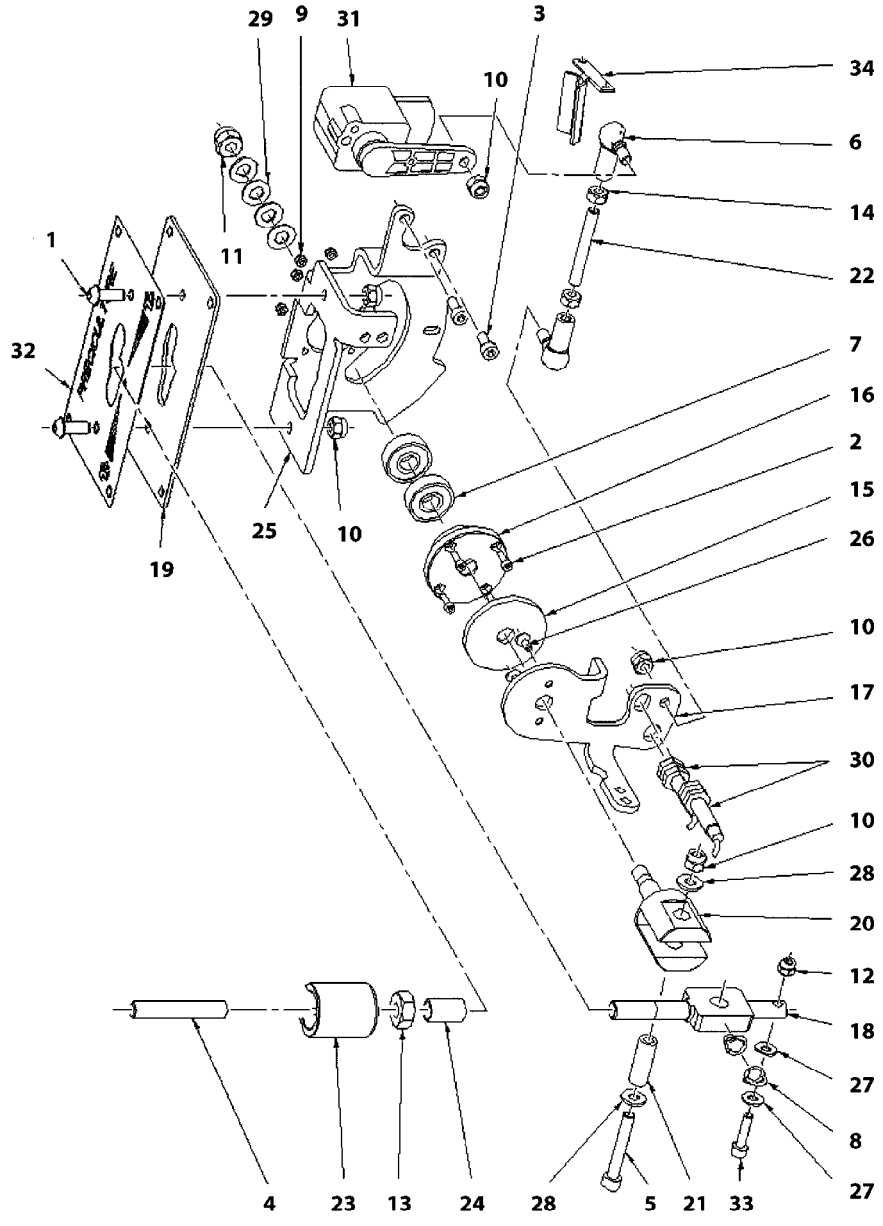


PRESIDIO FORWARD PUMP  
N710-HAU, 11:01:16

Page 1  
Date 12.08.2020 8:20

Pos.	parts-n°	order qty	description
1	PR-HPR02600641	1	O-RING F.A4VG90 (1) A4VG105
2	PR-HPR09086178	1	O-RING 10.82x1.78 SOL.VALVE A4VG105
3	PR-HPR09086333	1	O-RING 1242x1.78 PPE 90,105
4	PR-HPR09086380	1	O-RING 6.07x1.78 PPE 90,105
5	PR-HPR02053272	1	SOLENOID VALVE CDE EP A4VG 90/105
6	PR-HPR02601749	1	SOLENOID FOR SERVO CDE A4VG
7	PR-HPR09437363	1	FLOW SHUT OFF VALVE A4VG90/105
8	PR-HPR09434856	1	CHARGE PUMP RELIEF VALVE A4VG71/90/125
9	PR-HP9302	1	VALVE HP POMPE A4VG71/A4VG90
10	PR-HPR09154589	1	JOINT AND SAEB PDF A4VG71/180





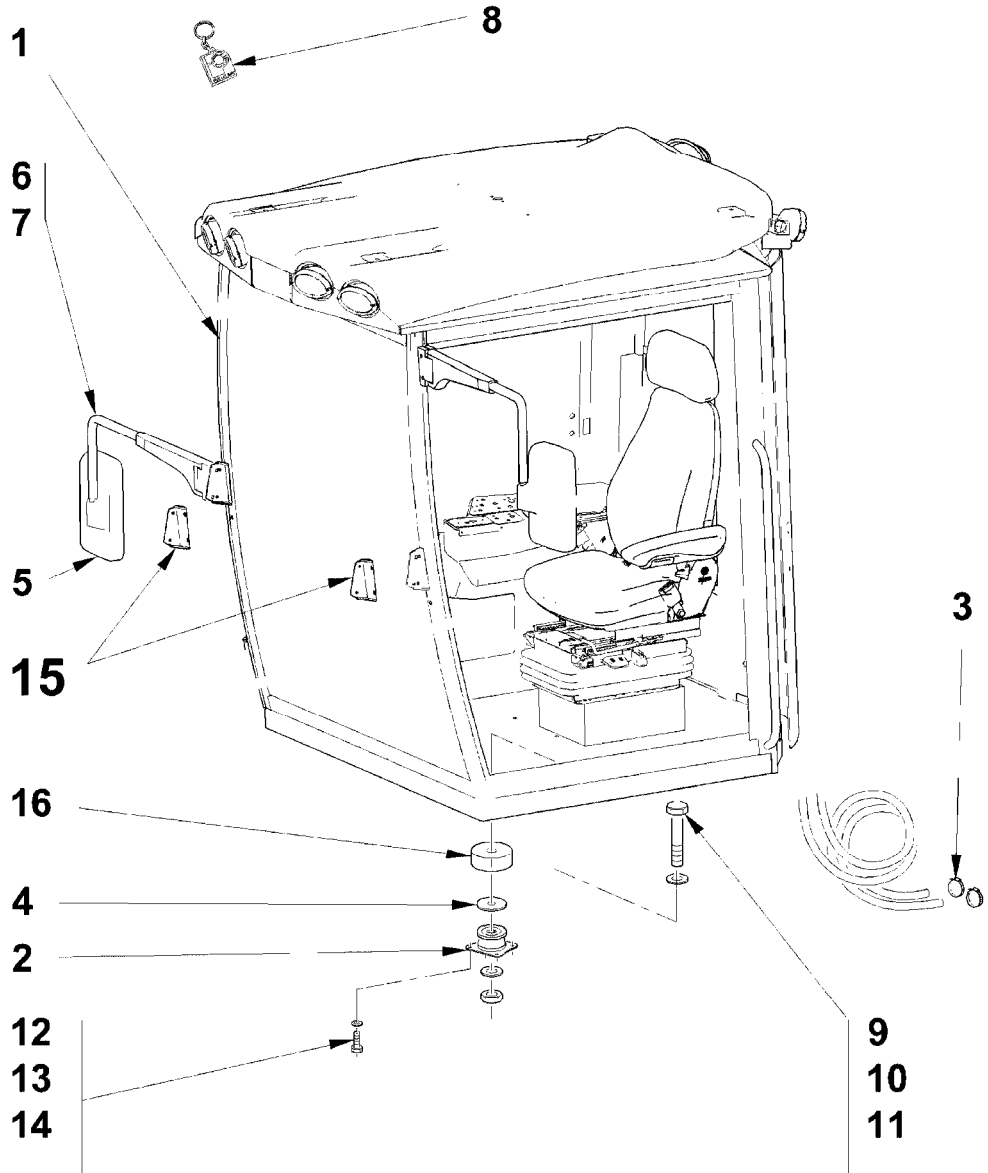
**O700-HAU**



PRESIDIO FORWARD CONTROL  
0700-HAU, 11:01:16

Page 1  
Date 12.08.2020 8:20

Pos.	parts-n°	order qty	description
1	PR-DB4632006016	1	SCREW BHC M6X16 A2 SS
2	PR-DB2044003010	1	SCREW CHC Stainless M 3X 10
3	PR-DB2044005012	1	SCREW CHC Stainless M 5X 12
4	PR-FEPR32126	1	TRAVEL ARM
5	PR-DB2144006040	1	SCREW CHC stainless A2 M6x40
6	PR-DA0015	1	PROBE HEAD DIN 71802 CS10M6
7	PR-DR0024	1	BEARING IN 60002RS 100 PIECES
8	PR-DW0027	1	TRAVEL LEVER SPRING PR3240
9	PR-DB8444003	1	RING NUT NYLON M3 INOX
10	PR-DB8444006	1	RING NYLON NUT M6 INOX
11	PR-DB8444008	1	RING NYLON NUT M 8 INOX
12	PR-DB8444005	1	RING NYLON NUT M 5 INOX
13	PR-DB8144010	1	STEEL NUT M10
14	PR-DB8144006	1	NUT M 6 SS
15	PR-FE0250	1	FRICITION WASHER AVCMT 2008
16	PR-FE0251	1	BEARING TRAVEL LEVER 2008 INOX
17	PR-FE0252	1	LINK TRAVEL LEVER 2008
18	PR-FE0254	1	HANDLE TRAVEL LEVER 2008 INOX
19	PR-FE0255	1	GRID TRAVEL HANDLE 2008
20	PR-FE0256	1	JOINT TRAVEL LEVER 2008
21	PR-FE0257	1	AXLE F. TRAVEL HANDLE SS 2008
22	PR-FE0258	1	TRAVEL LEVER LINK. ROD 2008 ZB
23	PR-FE0260	1	TRAVEL HANDLE SUPPORT SS 2008
24	PR-FE0261	1	TRAVEL LEVER ROLLER PROTECTION
25	PR-FE0262	1	TRAVEL LEVER SUPPORT 2008
26	PR-DB4024004008	1	SCREW FHC A2-70 M-8 4X stainless
27	PR-DS1104005	1	WASHER M 5125-INOX A2
28	PR-DS1504006	1	WASHER DECOL. 0.2 M 6x14x1-Inox
29	PR-DS3101008	1	SPRING WASHER M 8x16 x0.9-BR
30	PR-XX0064	1	SENSOR INDUCTIVE 100
31	PR-XX0200	1	SENSOR ANGULAR TYPE WS1
31A	PR-XX0200-01	1	CONNECTOR ANGLE SENSOR
32	PR-DE0154	1	DECAL - TRAVEL LEVER XX0300
33	PR-DB2044005020	1	SCREW CHC Stainless M 5X 20
34	PR-FEPR32113	1	WIRING MOUNTING PLATE PR3240



# O701-HAU

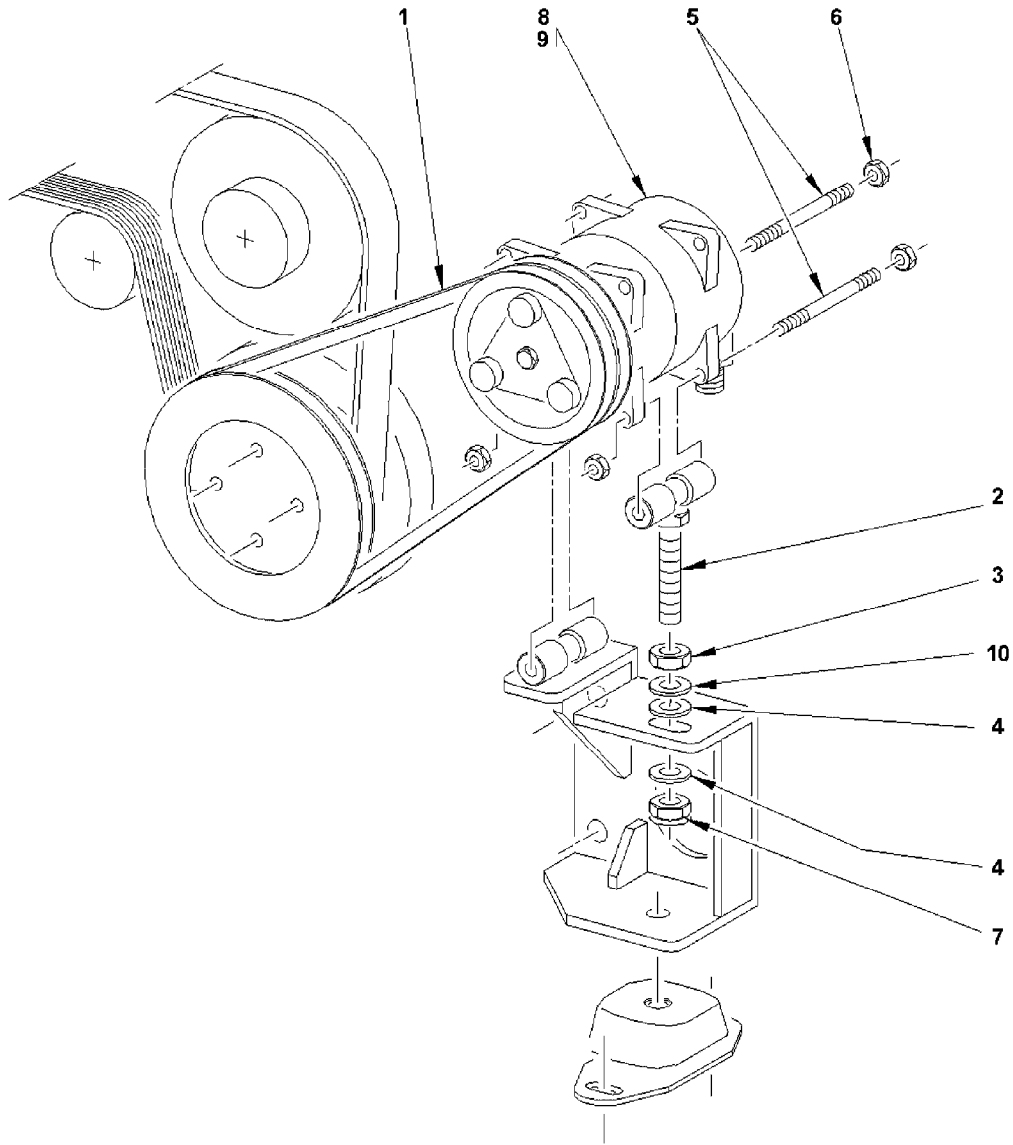


PRESIDIO AIR CONDITIONING CAB  
O701-HAU, 11:01:16

Page 1

Date 12.08.2020 8:20

Pos.	parts-n°	order qty	description
1	PR-CC0026	1	AIR COND. CAB
2	PR-DD0022	1	PLOT CAB MOUNTING 60SH
3	PR-DC0041	1	CLAMP SER BC DIAM 13 16_25
4	PR-DD0023	1	WASHER FOR PLOT DD0022
5	PR-CA0225	1	MIRROR ELECTRIC
6	PR-CA0226	1	MIRROR RIGHT ARM
7	PR-CA0227	1	MIRROR LEFT ARM
8	PR-DD0113	1	KEYRING PRECICULTURE
9	PR-DB1122016120	1	SCREW M16x120 Zn
10	PR-DS1502016	1	WASHER DECOL. M16x32x3-Zn
11	PR-DB8422016	1	RING NYLON NUT M16-Zn
12	PR-DB1022010020	1	HM Class 8.8 M 10X 20 SCREW
13	PR-DS1502010	1	WASHER DECOL. M10x22x2-Zn
14	PR-DB8422010	1	RING NYLON NUT M10-Zn
15	PR-FEPR32033-01	1	PLATE, FOR MIRROR ARM, CAB, PRESIDIO
16	PR-FE30175	1	PROGRESSIVE THRUST WASHER



**O702-HAU**

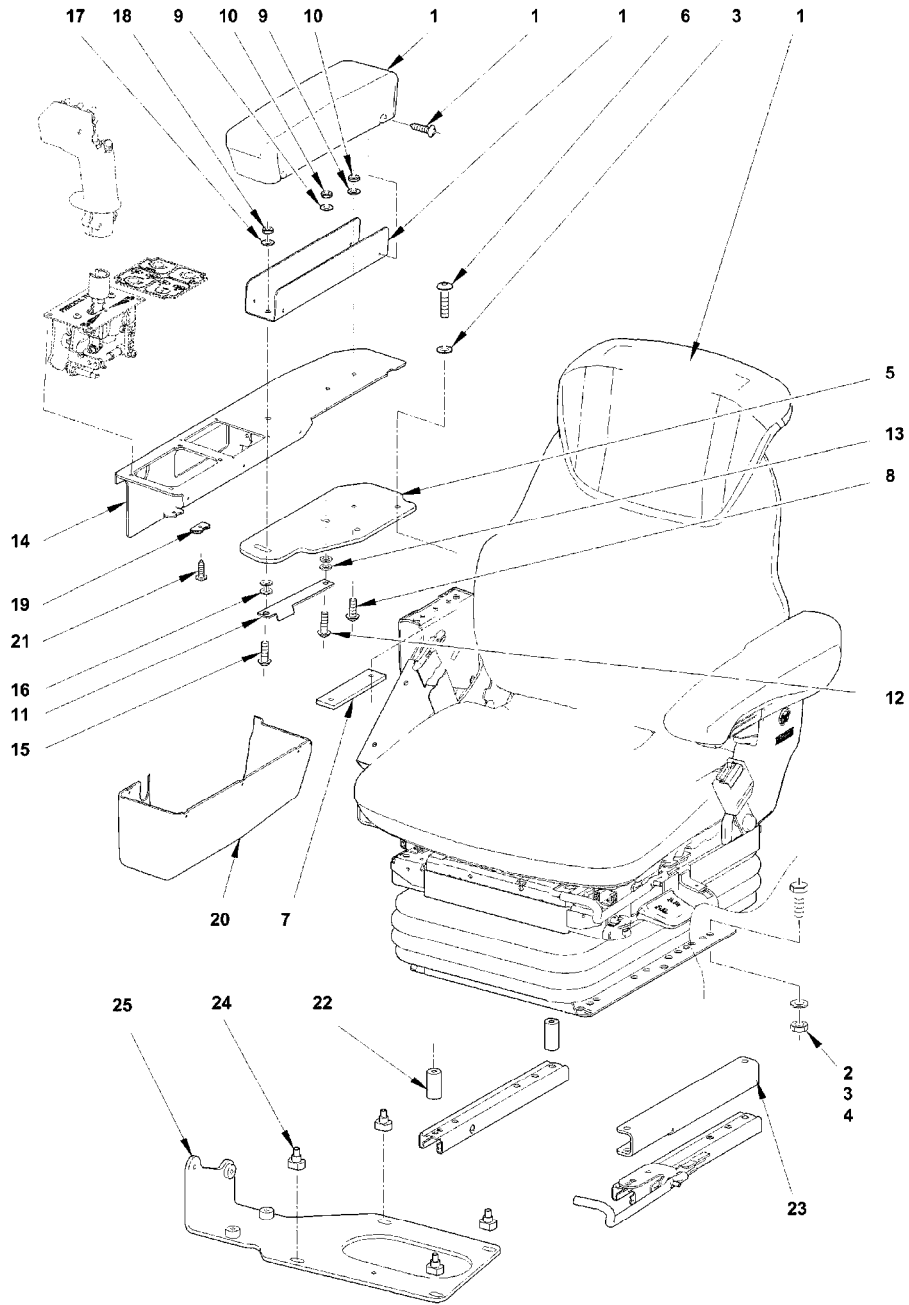


PRESIDIO AIRCONDITIONING COMPR  
O702-HAU, 11:01:16

Page 1

Date 12.08.2020 8:20

Pos.	parts-n°	order qty	description
1	PR-TMX0016	1	BELT
2	PR-FE30168	1	AIR TENSIONER
3	PR-DB8122016	1	NUT M16 Class 8-Zn
4	PR-DS1502016	1	WASHER DECOL. M16x32x3-Zn
5	PR-FT0055	1	AIR SHAFT
6	PR-DB8522010	1	RING NYLON NUT M10-Zn flat
7	PR-DB8422016	1	RING NYLON NUT M16-Zn
8	PR-CARA01100042	1	COMPRESSOR CAB PR32/PR42
9	PR-CC1001	1	GAS CLIM. FORANE 134A 53kg
10	PR-DS3002016	1	SPRING WASHER M16X25 x4-Zn



**0703-HAU**



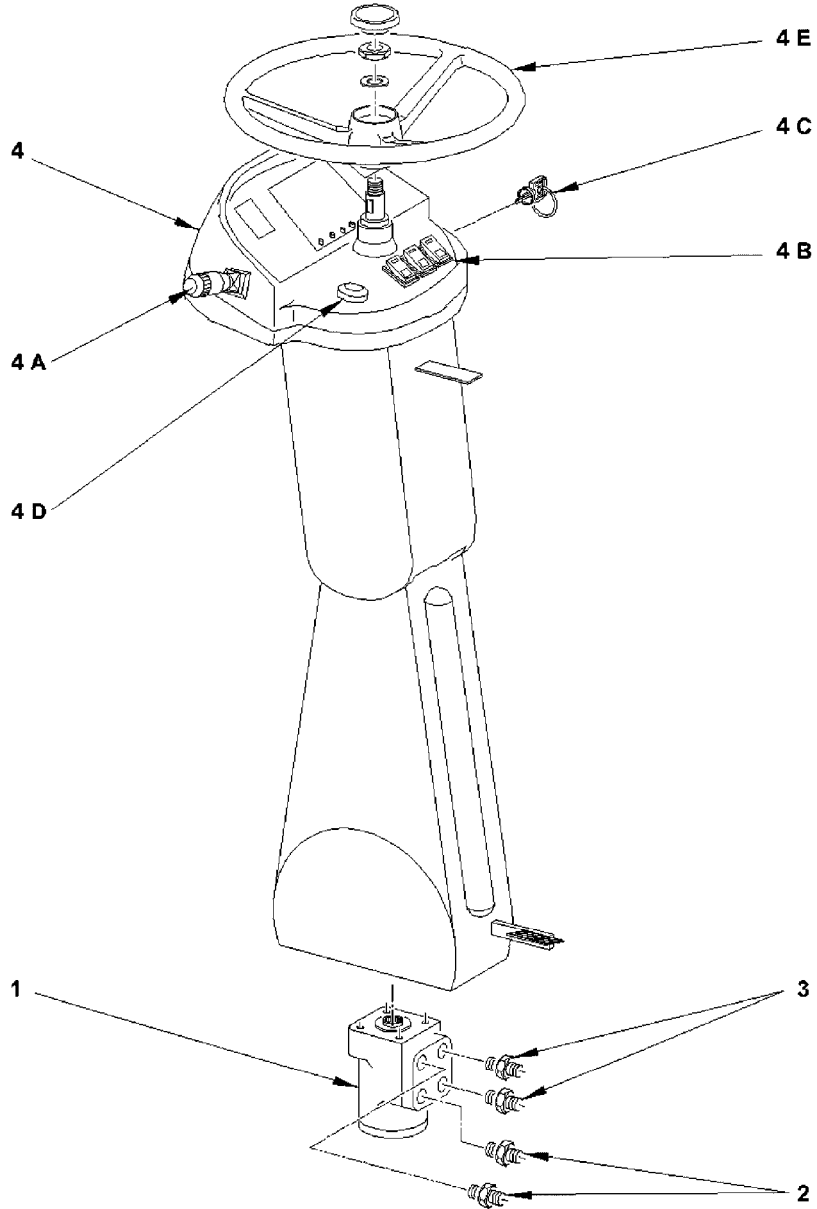
PRESIDIO SEAT & RIGHT ARMREST  
O703-HAU, 11:01:16

Page 1

Date 12.08.2020 8:20

Pos.	parts-n°	order qty	description
1	PR-CA0261	1	AGRI AIR SEAT
2	PR-DB1022008025	1	HM Class 8.8 M 8X 25 SCREW
3	PR-DS1502008	1	WASHER DECOL. 0.5 M 8x18x1-Zn
4	PR-DB8422008	1	RING NYLON NUT M8-Zn
5	PR-FEPR32059	1	PLATE UNDER ARMREST PR3240
7	PR-FEPR32058	1	ARMREST SPACER PR3240
8	PR-DB5224006020	1	RHC SCREW M 6X20 STEEL BY 100
9	PR-DS1504006	1	WASHER DECOL. 0.2 M 6x14x1-Inox
10	PR-DB8444006	1	RING NYLON NUT M6 INOX
11	PR-FE280016	1	CABLE GUIDE HANDLE TRAVEL
12	PR-DB5224006025	1	RHC SCREW M6X25 STAINLESS STEEL HEADER
13	PR-DS3101006	1	SPRING WASHER M 6x15 x0.6-BR
14	PR-FE280010	1	ARM REST SUPPORT OD280
15	PR-DB5224008030	1	SCREW RHC M 8X 30 Stainless Steel
16	PR-DS3101008	1	SPRING WASHER M 8x16 x0.9-BR
17	PR-DS1504008	1	WASHER DECOL. 0.5 M 8x18x1-Inox
18	PR-DB8444008	1	RING NYLON NUT M 8 INOX
19	PR-DC0203-01	1	STAPLE PRESTOL M4
20	PR-TC0101	1	CARTER CUFF 2011
21	PR-DB3302039013	1	TAPPING SCREW st3.9x13-TCC-C
22	PR-FTPR32050	1	SEAT BUSHING Ø20 L=40 PR3240
23	PR-FEPR32112	1	SEAT BOOSTER PR3240





**O704-HAU**

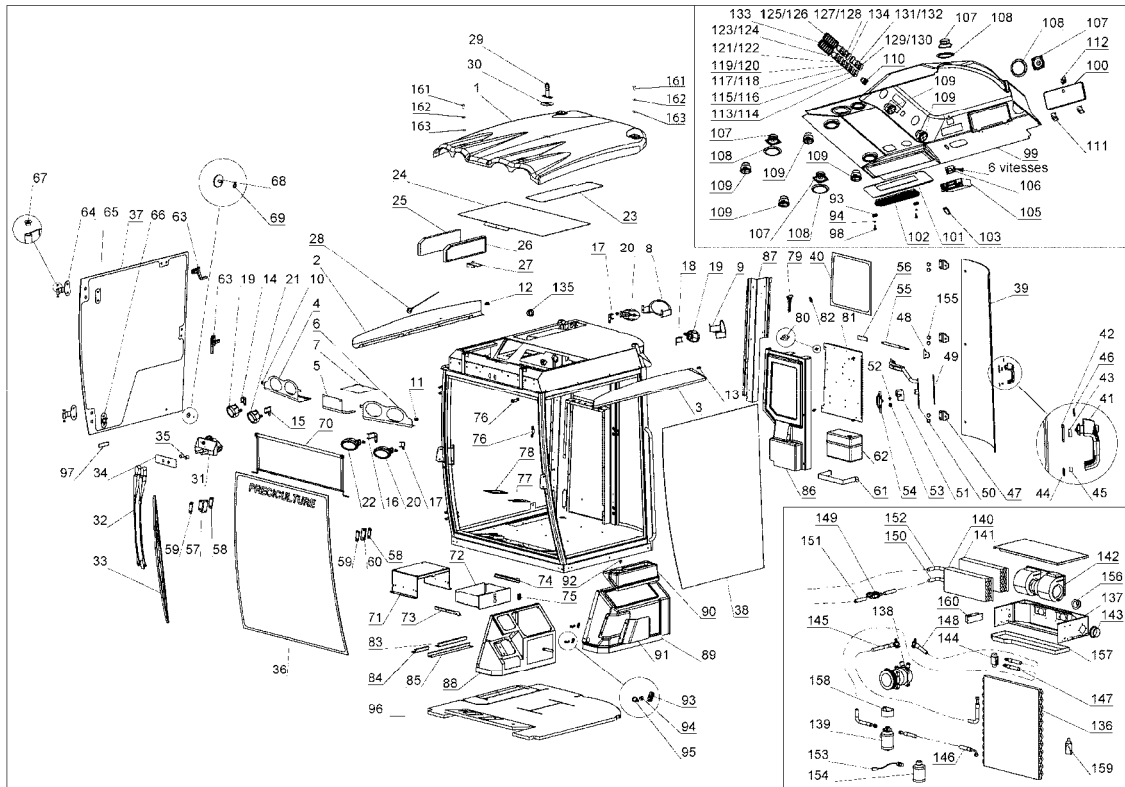


PRESIDIO STEERING COLUMN  
O704-HAU, 11:01:16

Page 1

Date 12.08.2020 8:20

Pos.	parts-n°	order qty	description
1	PR-HB0004	1	ORBITROL PHAC 200 ON
2	PR-HR0110	1	HYDRAULIC CONNECTION RIGHT MJ3 / 4-MI1
3	PR-HR0121	1	HYDRAULIC CONNECTION RIGHT MJ1 / 2-MI1
4	PR-CA0190	1	STEERING COLUMN PR4240/3240
4A	PR-CA0190-01	1	STALK FOR PR4240/3240
4B	PR-CA0130-08	1	SWITCH 2-POLE
4C	PR-CA0190-02	1	KEY SWITCH PR4240/324
4E	PR-CA0190-03	1	STEERING WHEEL
4D	PR-EA0036	1	ROUND BUTTON WARNING 6HF003916011



**O705-HAU**



PRESIDIO CABIN  
0705-HAU, 11:07:17

Page 1  
Date 12.08.2020 8:20

Pos.	parts-n°	order qty	description
1	PR-CARA0650014	1	ROOF CAB
2	PR-CARB12210091	1	ROOF SHIELD, RH, CAB, PRESIDIO
3	PR-CARB12210090	1	LEFT SIDE CABIN PR3240
4	PR-CARB12210086	1	part available on request
5	PR-CARB12210088	1	part available on request
6	PR-CARB12210087	1	part available on request
7	PR-CARB12210089	1	part available on request
8	PR-CARB12210084	1	CASING LIGHT RIGHT PR3240/4240
9	PR-CARB12210085	1	CABIN LIGHT PROTECTION PR3240
10	PR-CARB12210092	1	part available on request
11	PR-CARB12210093	1	part available on request
12	PR-CARB12210094	1	BRACKET ARD PR32/4240
13	PR-CARB12210095	1	part available on request
14	PR-CARB12210079	1	part available on request
15	PR-CARB12210081	1	part available on request
16	PR-CARB12210082	1	part available on request
17	PR-CARB12210080	1	SUPPORT HEADLIGHT AVG PR32/4240
18	PR-CARB12210083	1	part available on request
19	PR-CC0026-04	1	HEADLIGHT WORKING
20	PR-CC0026-03	1	HEADLIGHT WORKING
21	PR-CARA02200142	1	part available on request
22	PR-CARA02200141	1	part available on request
23	PR-CARB12210053	1	part available on request
24	PR-CARB12210078	1	part available on request
25	PR-CA8889	1	FILTER, AIR, CABIN, PR
26	PR-CA8889	1	FILTER, AIR, CABIN, PR
27	PR-CARB12210074	1	part available on request
28	PR-CA0007	1	RADIO ANTENNA
29	PR-CARA02200144	1	BEACON LIGHT SOCKET
30	PR-CARB12210105	1	PLATE ROTATING LIGHT PR32/4240
31	PR-CA0542	1	WIPER MOTOR
32	PR-CA0069	1	ARM E.G. A / / LG 800 MM
33	PR-CA0070	1	BRUSH E.G.LONG 1000
34	PR-CARB12210068	1	part available on request
35	PR-CART12210004	1	part available on request
36	PR-CARA00200960	1	WINDSHIELD PR32/4240
37	PR-CARA00200964	1	RIGTH SIDE WINDOW OPENING
38	PR-CARA00200963	1	TEMPERED GLASS LEFT SIDE
39	PR-CARA00200961	1	DOOR GLASS, CAB, PR
40	PR-CARA00200962	1	REAR WINDOW
41	PR-CARA04100195	1	BLACK HANDEL WITH 2 KEYS
42	PR-CARA04100196	1	Base Plate
43	PR-CARA04100198	1	Base Plate
44	PR-CARA04100197	1	Base Plate
45	PR-CARA04100199	1	Base Plate
46	PR-CARB12210106	1	SEAL for CAB PR3240/4240
47	PR-CC0022-08	1	HINGE, GLASS DOOR, CAB, PR
48	PR-CARA08200089	1	Natural black rubber flap
49	PR-CARA08200088	1	Rubber flap door
50	PR-CARS12210014	1	Handrail BOOTH
51	PR-CARA04100203	1	PR3240 door lock
52	PR-CARA04100074	1	KEEPER DOOR CAB EURO 3000
53	PR-CARB11210102	1	Washer Striker plate CABIN
54	PR-CARS12210013	1	part available on request
55	PR-CARA06000028	1	CYLINDER DOOR CAB EURO 3000
56	PR-CARA06300104	1	part available on request
57	PR-CARB12210066	1	MOUNT RIGHT MIRROR
58	PR-CARB12210069	1	SHIM
59	PR-CARB12210070	1	SHIM
60	PR-CARB12210067	1	MOUNT LEFT MIRROR
61	PR-CARB12210058	1	part available on request



PRESIDIO CABIN  
0705-HAU, 11:07:17

Page 2  
Date 12.08.2020 8:20

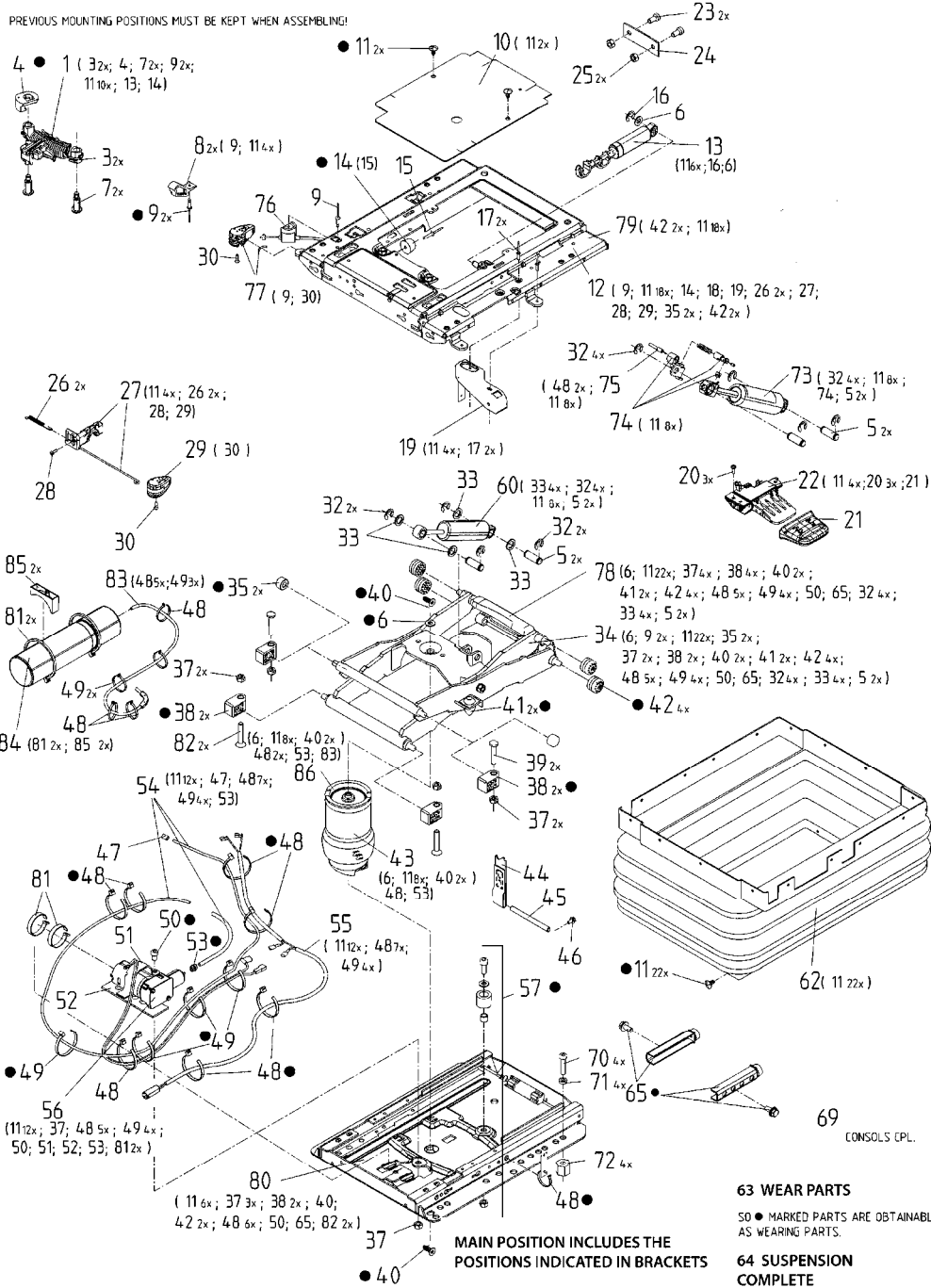
Pos.	parts-n°	order qty	description
62	PR-CARA03000140	1	part available on request
63	PR-CA0126	1	DOOR HANDLE RIGHT OR U60
64	PR-CARS12210012	1	HINGE FOR GLASS
65	PR-CARB12210104	1	PLATE FOR MOUNT GLASS
66	PR-CARB12210006	1	Glass holder strap opening
67	PR-CARA03100068	1	Bearing support for hinge
68	PR-CA0134	1	BUTTON
69	PR-CARA09200022	1	Retainer screw
70	PR-CARA06300101	1	SUN VISOR CABIN PR32/42
71	PR-CARB12210057	1	part available on request
72	PR-CARS12210015	1	part available on request
73	PR-CARA06200035	1	part available on request
74	PR-CARA06200035	1	part available on request
75	PR-CARA04100205	1	part available on request
76	PR-CARB12210077	1	part available on request
77	PR-CARB12210071	1	part available on request
78	PR-CARB12210072	1	part available on request
79	PR-CA0064	1	HAMMER ICEBREAKER
80	PR-CARA03100070	1	part available on request
81	PR-CARB12210073	1	part available on request
82	PR-CARA06300014	1	COAT HOOK
83	PR-CARB12210055	1	part available on request
84	PR-CARB12210056	1	part available on request
85	PR-CARB12210054	1	part available on request
86	PR-CARA06500122	1	part available on request
87	PR-CARA06500118	1	part available on request
88	PR-CARS12210011	1	part available on request
89	PR-CARA06500119	1	part available on request
90	PR-CARA06500121	1	part available on request
91	PR-CARA06500120	1	part available on request
92	PR-CARA04100083	1	BUTTON KNURLED diam 22 M6x20
93	PR-CARA04100049	1	part available on request
94	PR-CARA04100050	1	part available on request
95	PR-CARA04100204	1	part available on request
96	PR-CARA05000171	1	part available on request
97	PR-CARA06300027	1	part available on request
98	PR-CARA04100207	1	part available on request
99	PR-CARA06500115	1	UNDER ROOF PR34/4240
100	PR-CARA06500117	1	part available on request
101	PR-CARA06500116	1	part available on request
102	PR-CARA01100224	1	part available on request
103	PR-CARA02200119	1	part available on request
104	PR-CARA02200138	1	part available on request
105	PR-CARA02000043	1	RADIO, CAB, PRESIDIO
106	PR-CARA01100257	1	TEMPRATURE CONTROLLER
107	PR-CARA02000041	1	part available on request
108	PR-CARA02000042	1	GRILLE SPEAKER
109	PR-CARA01100067	1	GRILL VENTILATION
110	PR-CARA02300096	1	MIRROR SWITCH CAB PRESIDIO
111	PR-CARA04000008	1	part available on request
112	PR-CARA04100030	1	part available on request
113	PR-CARA02300004	1	SWITCH LIGHT WORK AGRI
114	PR-CARA02300006	1	part available on request
115	PR-CARA02300004	1	SWITCH LIGHT WORK AGRI
116	PR-CARA02300007	1	SWITCH COVER, BOOM/REAR WORKING LIGHT, PRESIDIO
117	PR-CARA02300004	1	SWITCH LIGHT WORK AGRI
118	PR-CARA02300007	1	SWITCH COVER, BOOM/REAR WORKING LIGHT, PRESIDIO
119	PR-CARA02300004	1	SWITCH LIGHT WORK AGRI
120	PR-CARA02300008	1	SYMBOL HEADLIGHT front WORK
121	PR-CARA02300004	1	SWITCH LIGHT WORK AGRI
122	PR-CARA02300008	1	SYMBOL HEADLIGHT front WORK



PRESIDIO CABIN  
0705-HAU, 11:07:17

Page 3  
Date 12.08.2020 8:20

Pos.	parts-n°	order qty	description
123	PR-CARA02300004	1	SWITCH LIGHT WORK AGRI
124	PR-CARA02300113	1	part available on request
125	PR-CARA02300115	1	SWITCH windscreen wiper
126	PR-CARA02300009	1	SYMBOL WIPER
127	PR-CARA02300001	1	SWITCH WASHER
128	PR-CARA02300011	1	SYMBOL WASHER
129	PR-CARA02300004	1	SWITCH LIGHT WORK AGRI
130	PR-CARA02300114	1	part available on request
131	PR-CARA02300001	1	SWITCH WASHER
132	PR-CARA02300097	1	SYMBOL DEFROST MIRRORS
133	PR-CAR625	1	SUPPORT 6 SWITCHES
134	PR-CA0086	1	COVER SWITCH
135	PR-CARA01100221	1	KF FAN NOZZLE DIRECTABLE
136	PR-CARA01000039	1	RADIATOR CONDENSER CLIM
137	PR-CARA01000040	1	part available on request
138	PR-CARA01100042	1	COMPRESSOR CAB PR32/PR42
139	PR-CARA01100124	1	BOTTLE DRYING U100
140	PR-CARA01100227	1	part available on request
141	PR-CARA01400079	1	part available on request
142	PR-CARA01100228	1	TURBINE FAN PR32/4240
143	PR-CARA01100232	1	part available on request
144	PR-CARA01100229	1	REGULATOR CLIMATE PR32/4240
145	PR-CARM01200126	1	HOSE AC md8 Cond / comp Lg: 2860mm
146	PR-CARM01200127	1	HOSE AC md6 Cond / BOTTLE Lg: 77mm
147	PR-CARM01200128	1	HOSE AC md6 Evap / Lg end: 8440mm
148	PR-CARM01200129	1	AC PIPE M10 Comp / evap Lg: 9000mm
149	PR-CARA01400071	1	SOLENOID CLIM
150	PR-CA0022	1	HOSE HEATER
151	PR-CA0022	1	HOSE HEATER
152	PR-CA0022	1	HOSE HEATER
153	PR-CARA01100125	1	substituted by CARA01100025
154	PR-CA0076-01	1	CAN OIL COOLING GAZ134A
155	PR-CARA09300023	1	BOLT COVER CAP
156	PR-CARA01100222	1	part available on request
157	PR-CARA01100230	1	CONDENSATION DRIP PAN
158	PR-CARB12210107	1	CLAMP
159	PR-CARA001100157	1	part available on request
160	PR-CARA001100265	1	part available on request
161	PR-CA0059	1	RUBBER WASHER, ROOF CAB, PR
162	471122	1	WASHER, M10, Ø20/10.5X 2.0, SS
163	421002	1	BOLT HEX 8.8 DEL M10X30 FT DIN933



# 0706-HAU

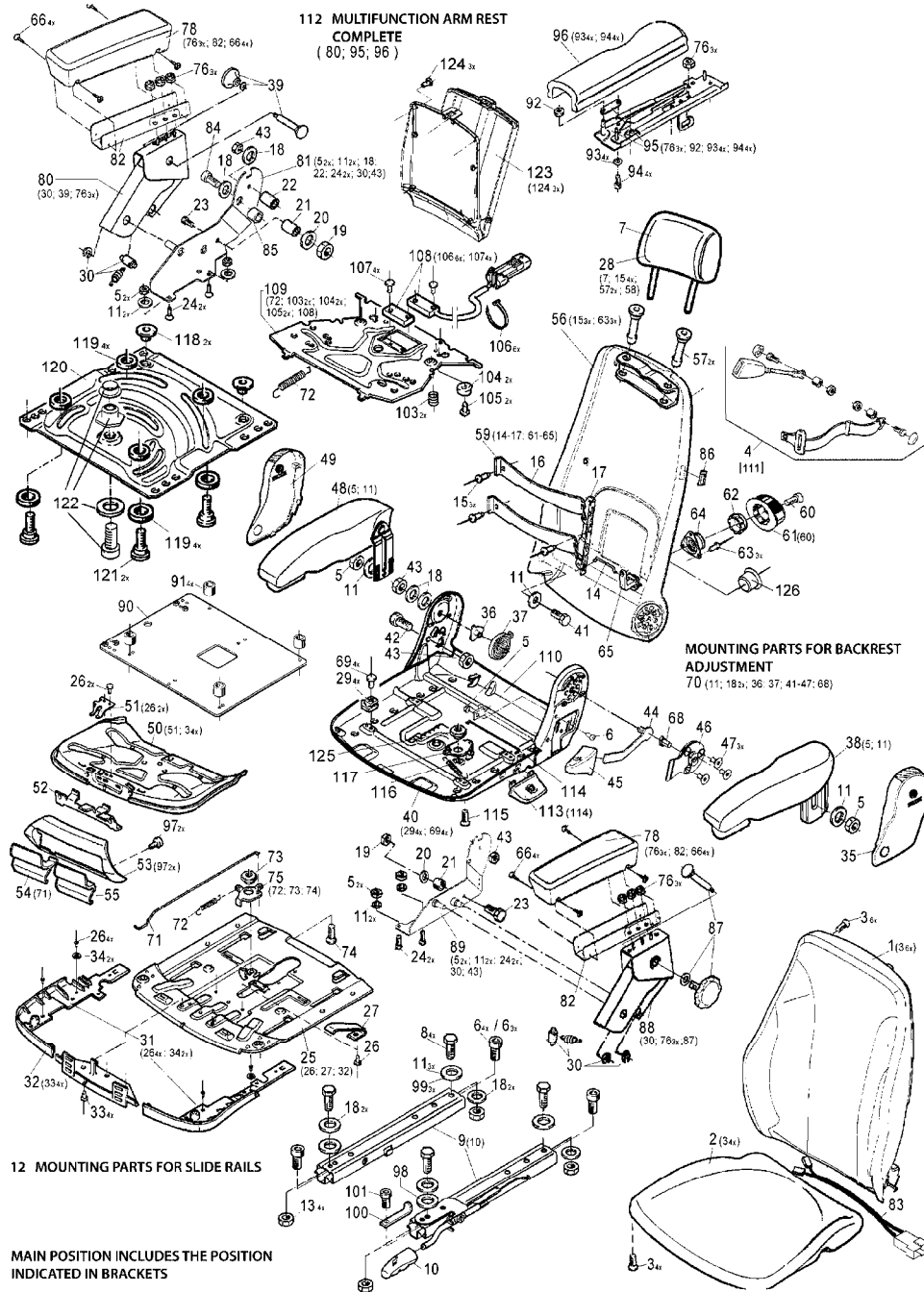


PRESIDIO SEAT LOWER PART  
0706-HAU, 11:01:16

Page 1  
Date 12.08.2020 8:20

Pos.	parts-n°	order qty	description
1	PR-CAR1096591	1	part available on request
3	PR-CAR118352	1	part available on request
4	PR-CAR1114351	1	part available on request
7	PR-CAR1066177	1	part available on request
8	PR-CAR130617	1	part available on request
9	PR-CAR126617	1	part available on request
10	PR-CAR133655	1	part available on request
12	PR-CAR1097948	1	part available on request
13	PR-CAR130600	1	SHOCKABSORBER AIR BASE
14	PR-CAR1096582	1	part available on request
15	PR-CAR104551	1	part available on request
16	PR-CAR115391	1	part available on request
18	PR-CAR122826	1	part available on request
19	PR-CAR132144	1	SYSTEM UPGRADE GRAMMER
20	PR-CAR138781	1	part available on request
21	PR-CAR138628	1	part available on request
22	PR-CAR132146	1	AIR CONTROL SEAT
23	PR-CAR122949	1	part available on request
24	PR-CAR134291	1	part available on request
25	PR-CAR110291	1	part available on request
26	PR-CAR1137842	1	part available on request
27	PR-CAR1096566	1	part available on request
28	PR-CAR1040030	1	part available on request
29	PR-CAR130119	1	part available on request
30	PR-CAR132414	1	part available on request
32	PR-CAR901009	1	part available on request
34	PR-CAR139566	1	part available on request
35	PR-CAR1021662	1	part available on request
38	PR-CAR1117515	1	part available on request
41	PR-CAR200072	1	part available on request
42	PR-CAR122704	1	PULLEY
43	PR-CAR1081315	1	part available on request
44	PR-CAR133313	1	part available on request
45	PR-CAR123883	1	part available on request
46	PR-CAR10181	1	part available on request
54	PR-CAR1096956	1	part available on request
55	PR-CAR132155	1	part available on request
56	PR-CAR130591	1	COMPRESSOR SEAT GRAMMER
60	PR-CAR137815	1	SHOCK AIR BASE
62	PR-CAR132148	1	BELLOWS
63	PR-CAR1096585	1	part available on request
64	PR-CAR134632	1	COMPLETE AIR BASE
65	PR-CAR136685	1	part available on request
80	PR-CAR140251	1	part available on request





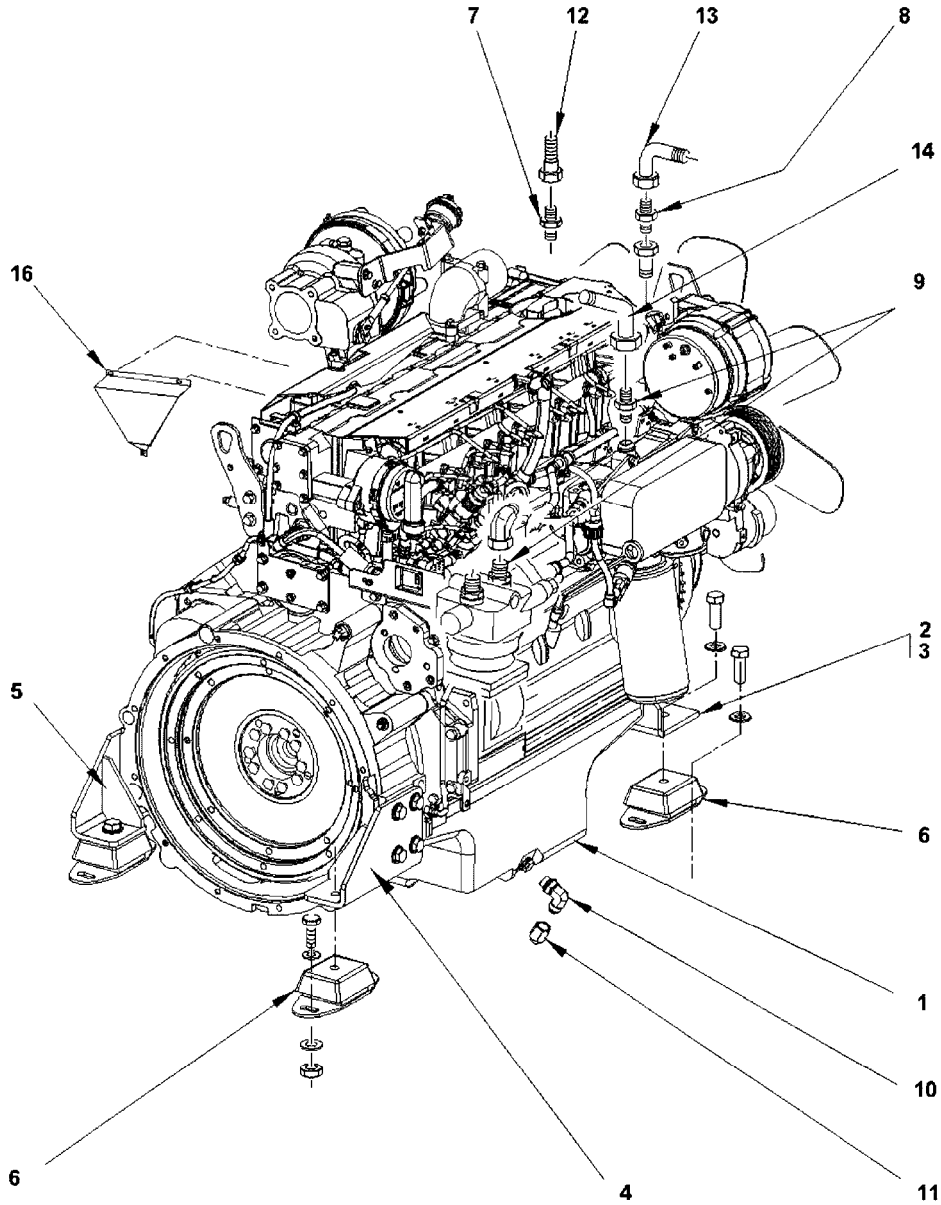
**O707-HAU**



PRESIDIO SEAT UPPER PART  
0707-HAU, 11:01:16

Page 1  
Date 12.08.2020 8:20

Pos.	parts-n°	order qty	description
1	PR-CAR1049214	1	part available on request
2	PR-CAR1026538	1	part available on request
3	PR-CAR1054392	1	part available on request
4	PR-CAR1054002	1	part available on request
5	PR-CAR110291	1	part available on request
6	PR-CAR122949	1	part available on request
8	PR-CAR111030	1	part available on request
9	PR-CAR140733	1	part available on request
10	PR-CAR138928	1	part available on request
11	PR-CAR113290	1	part available on request
12	PR-CAR140683	1	part available on request
13	PR-CAR139843	1	part available on request
18	PR-CAR110489	1	part available on request
19	PR-CAR113354	1	part available on request
21	PR-CAR110190	1	part available on request
22	PR-CAR113333	1	part available on request
23	PR-CAR117315	1	part available on request
24	PR-CAR128019	1	part available on request
30	PR-CAR137387	1	part available on request
35	PR-CAR1088780	1	part available on request
36	PR-CAR140684	1	part available on request
37	PR-CAR131517	1	part available on request
38	PR-CAR1100875	1	part available on request
39	PR-CAR137385	1	WHEEL SET MULTI ARM
40	PR-CAR140954	1	part available on request
41	PR-CAR118558	1	part available on request
43	PR-CAR113048	1	part available on request
44	PR-CAR140695	1	part available on request
45	PR-CAR140694	1	part available on request
46	PR-CAR1131378	1	part available on request
47	PR-CAR136122	1	part available on request
56	PR-CAR140957	1	part available on request
57	PR-CAR138691	1	part available on request
66	PR-CAR111027	1	SCREW ARM
70	PR-CAR140960	1	part available on request
76	PR-CAR100938	1	part available on request
78	PR-CAR140353	1	RIGHT ARM GRAMMER
80	PR-CAR137390	1	part available on request
81	PR-CAR141187	1	part available on request
82	PR-CAR139816	1	PROFILE U ARM D GRAMMER
86	PR-CAR140226	1	part available on request
110	PR-CAR1031762	1	part available on request
113	PR-CAR140672	1	part available on request
114	PR-CAR138877	1	part available on request
115	PR-CAR132321	1	part available on request
116	PR-CAR116226	1	part available on request
117	PR-CAR139246	1	part available on request
118	PR-CAR10487	1	part available on request
119	PR-CAR103046	1	part available on request
120	PR-CAR1080473	1	part available on request
121	PR-CAR1120784	1	part available on request
122	PR-CAR1059547	1	part available on request
123	PR-CAR132319	1	part available on request
124	PR-CAR17928	1	part available on request
125	PR-CAR142259	1	DOCUMENTS DRAWER
126	PR-CAR140844	1	part available on request



**P700-HAU**

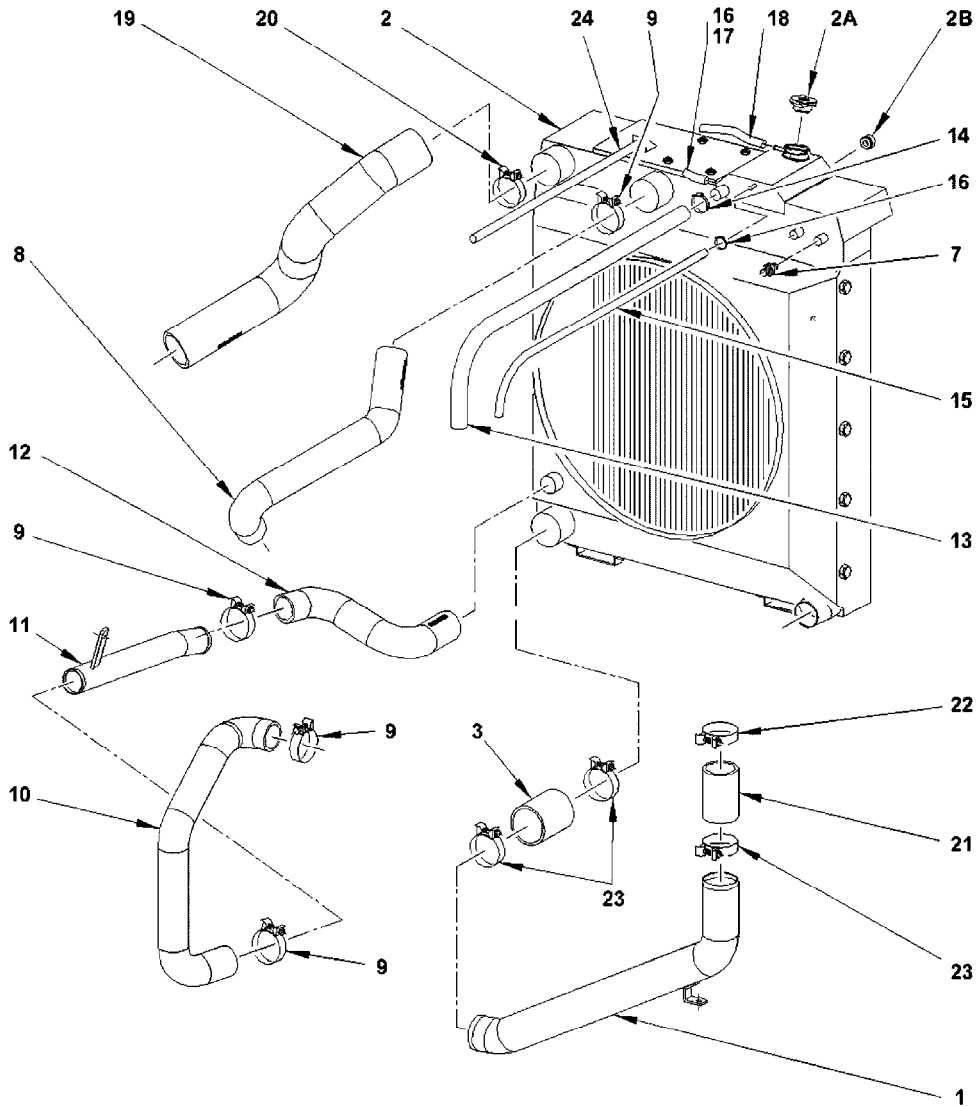


PRESIDIO ENGINE  
P700-HAU, 11:01:16

Page 1

Date 12.08.2020 8:20

Pos.	parts-n°	order qty	description
1	PR-MA0356	1	COMBUSTION ENGINE TCD2012L06 2V 129KW/
2	PR-FEPR32004	1	FRONT LEFT ENGINE MOUNT PR3240
3	PR-FEPR32005	1	FRONT RIGHT ENGINE MOUNT PR3240
4	PR-FE200013	1	FRONT LEFT BRACKET DEUTZ
5	PR-FE200014	1	FRONT RIGHT BRACKET DEUTZ
6	PR-DD0241	1	SUSPENSION FOR TRIFLEX2 UTL 6CYL 75sh
7	PR-HR0146	1	HYDRAULIC CONNECTION RIGHT MJ11/16-MI1
8	PR-HR0120	1	HYDRAULIC CONNECTION RIGHT MJ11/16-MDC
9	PR-HR0119	1	HYDRAULIC CONNECTION RIGHT MJ11/16-MI2
10	PR-HR0137	1	HYDRAULIC CONNECTION ELBOW MJ3 / 4 90-
11	PR-HR9003	1	BFJ PLUG 3/4
12	PR-HR0770	1	RIGHT END CS 19 FJ11/16 "
13	PR-HR0599	1	TIP ELBOW CS 16 90 FJ11/16 "
14	PR-HR0649	1	TIP ELBOW CS 16 FJ11/16 45 "
16	PR-FEPR32060	1	STARTER PROTECTIVE PLATE PR3240



**P701-HAU**



PRESIDIO RADIATOR/CONNECTORS  
P701-HAU, 11:01:16

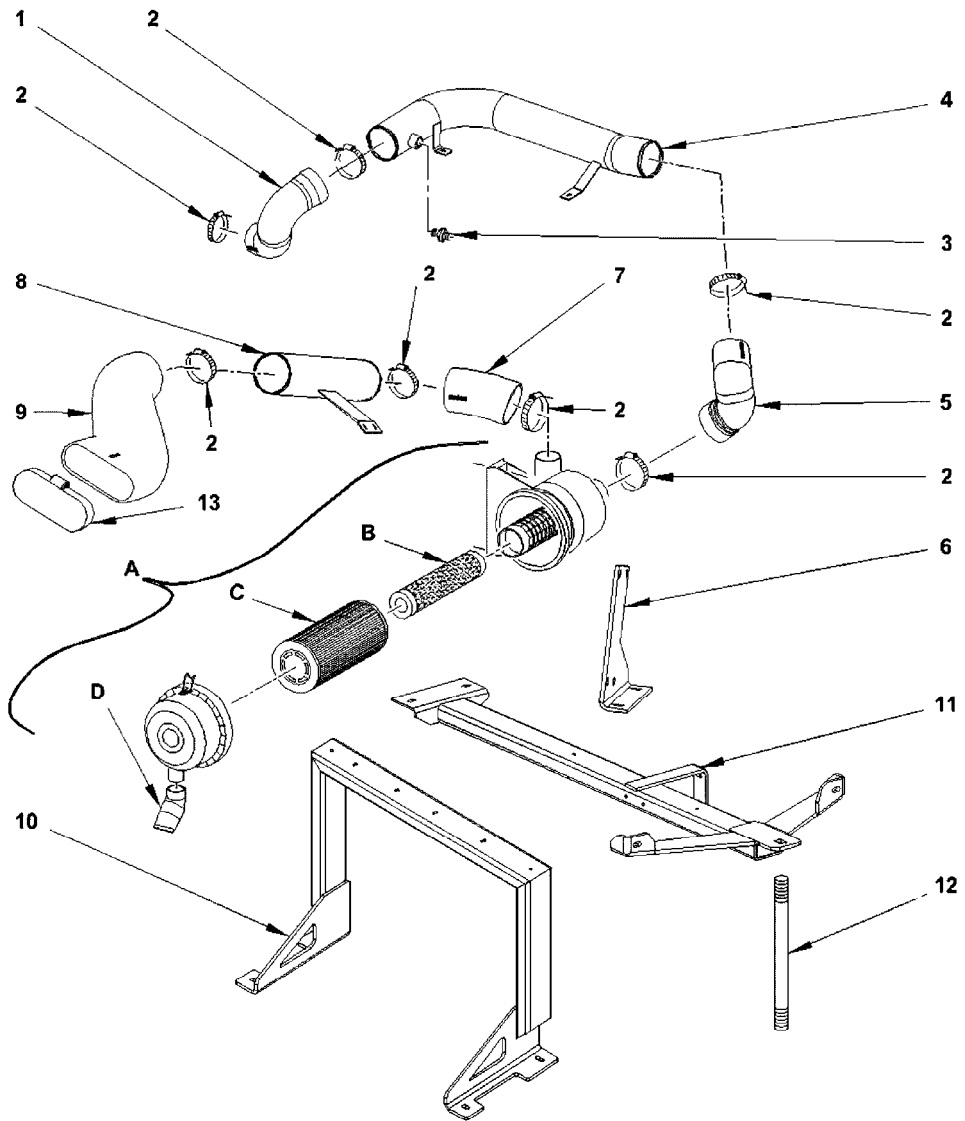
Page 1

Date 12.08.2020 8:20

Pos.	parts-n°	order qty	description
2A	PR-MX0150-01	1	CAP
2B	PR-MX0150-02	1	PLUG (substituted by MX0108)
1	PR-FEPR32027	1	TURBO STEEL OUTPUT INPUT INTERCOOL
2	PR-MX0150	1	RADIATOR PRESIDIO
7	PR-HR0093	1	HEX NIPPLE #16JICM-#16BSPPM
8	PR-DD0463	1	HOSE
9	PR-DC0021	1	CLAMP 50-65MM
10	PR-DD0216	1	HOSE
11	PR-FEPR25024	1	ENGINE INLET SLEEVE PR2540
12	PR-DD0462	1	HOSE
13	PR-DD0089	1	HOSE HOT MAX DIAM 20/30
14	PR-DC0053	1	CLAMP 20 A 32 MM
15	PR-HT0021	1	HOSE 5/16 7.9/15 DIAM to GO "
16	PR-DC0040	1	CLAMP BC 8 DIAM 8-16 STEEL
17	PR-HT0021	1	HOSE 5/16 7.9/15 DIAM to GO "
18	PR-HT0021	1	HOSE 5/16 7.9/15 DIAM to GO "
19	PR-DD0465	1	HOSE
20	PR-DC0023	1	CLAMP 80-85MM
21	PR-DD0474	1	HOSE Ø70 INT LG 120MM NOMEX
22	PR-DC0022	1	CLAMP 76-82MM
23	PR-DC0022	1	CLAMP 76-82MM
24	PR-DB70220101000	1	part available on request



PRESIDIO AIR FILTER  
P702-HAU, 11:01:16



**P702-HAU**

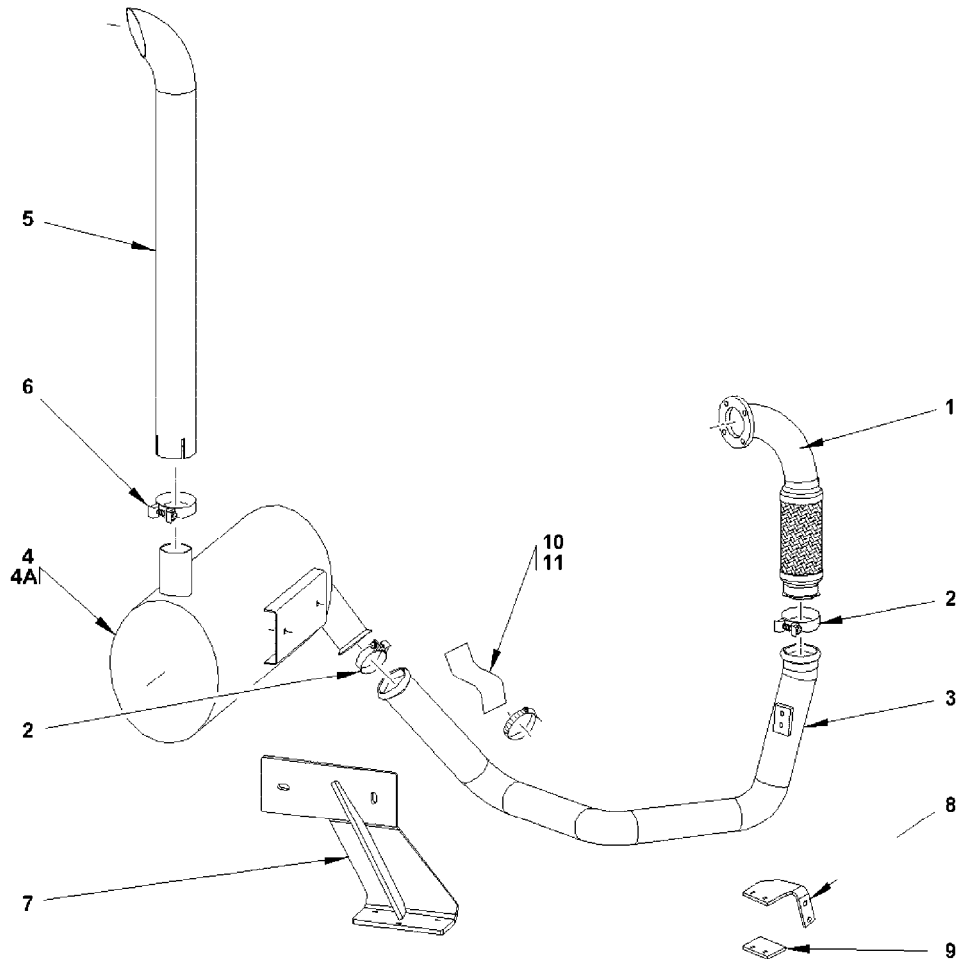


PRESIDIO AIR FILTER  
P702-HAU, 11:01:16

Page 1  
Date 12.08.2020 8:20

Pos.	parts-n°	order qty	description
1	PR-DD0464	1	HOSE
2	PR-DC0047	1	CLAMP DIAMETER :104-138 LG: 12MM
3	PR-HR0087	1	HEX FITTING #12 JIC M X G3/4" M STR
4	PR-FEPR32026	1	TURBO AIR FILTER SLEEVE PR324
5	PR-DD0467	1	HOSE
6	PR-FEPR32086	1	AIR FILTER SUPPORT PR3240
7	PR-DD0461	1	HOSE
8	PR-FEPR32025	1	SLEEVE INLET AIR FILTER
9	PR-DD0460	1	HOSE
10	PR-FEPR25073	1	ENGINE HOOD SUPPORT PR2540
11	PR-FEPR32074	1	ENGINE HOOD RAIL PR3240
12	PR-FTPR32055	1	ANCHOR SHAFT
13	PR-DC0049	1	CLAMP DIAMETER :130-165 PAR 20
A	PR-MA0073	1	DEUTZ AIR FILTER 34X4
B	PR-MA0015	1	FILTER, AIR, SECURITY, DEUTZ, PR
C	PR-MA0014	1	FILTER, AIR, PRIMARY, DEUTZ, PR
D	PR-MA0193	1	FILTER DUST EJECTOR BF6M2012





**P703-HAU**

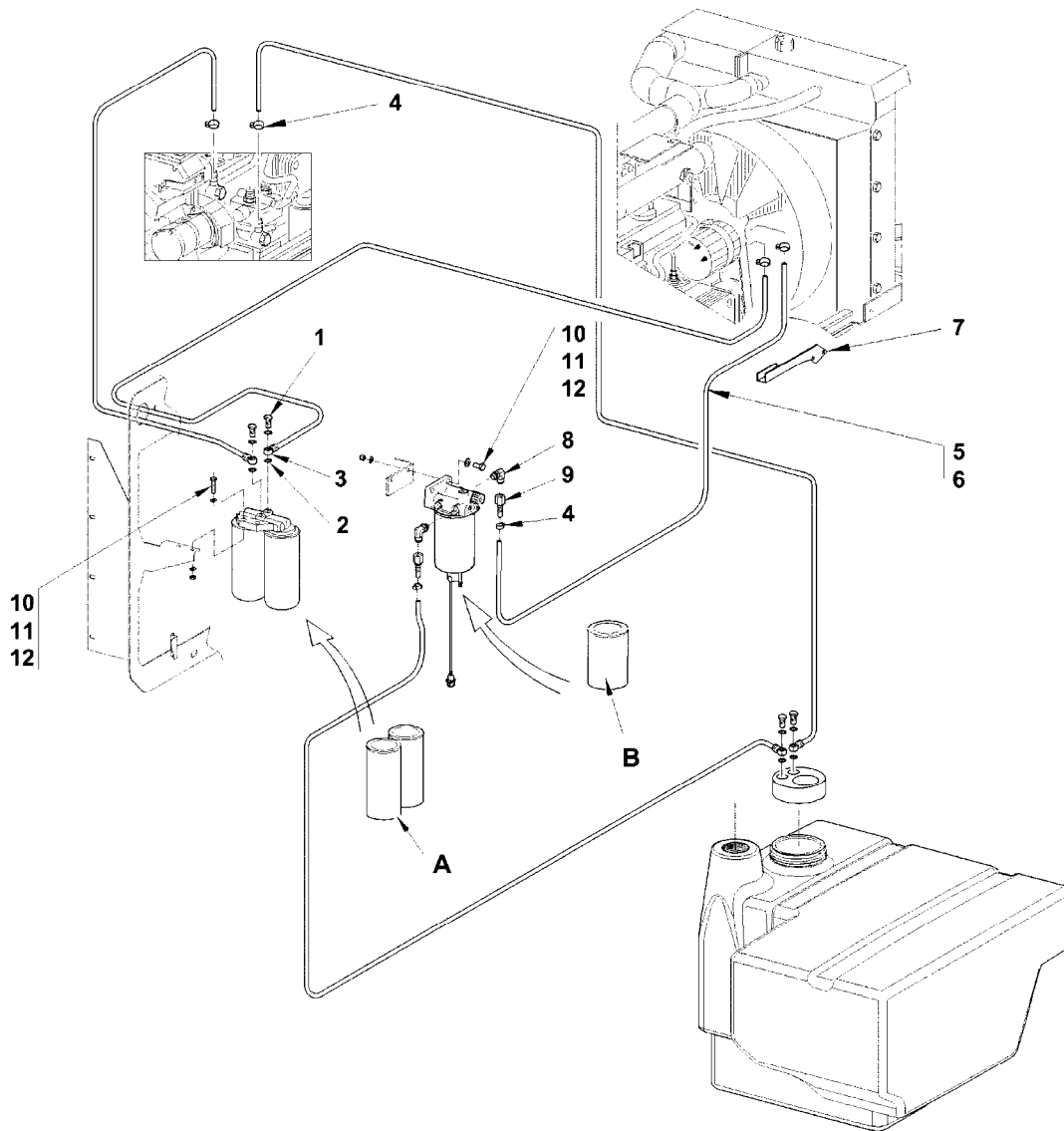


PRESIDIO EXHAUST SYSTEM  
P703-HAU, 11:01:16

Page 1

Date 12.08.2020 8:20

Pos.	parts-n°	order qty	description
1	PR-FEPR32030	1	SORTIE TURBO VERS ECHAP. PR3240
2	PR-FEPR32030-01	1	COLLAR BOMB EXHAUST PR32 / 4
3	PR-FEPR25023	1	EXHAUST PIPE PR2540
4	PR-FEPR32028	1	PR3240 STAINLESS STEEL MUFFLER
4A	PR-FEPR32028-01	1	EXHAUST GRILL PR3240
5	PR-FEPR32029	1	SILENT STEEL OUTPUT PR3240
6	PR-MX0426-02	1	COLLAR FOR DIAM 92 MX0426
7	PR-FEPR32072	1	MUFFLER SUPPORT PR3240
8	PR-FEPR32023-01	1	EXHAUST PIPE SUPPORT PR3240
10	PR-DP0034	1	SILONTEX BAND: 50 X 2 mm
11	PR-DC0048	1	CLAMP DIAMETER :77-95 LG: 12MM



**P704-HAU**



PRESIDIO DIESEL OIL CIRCUIT  
P704-HAU, 11:01:16

Page 1

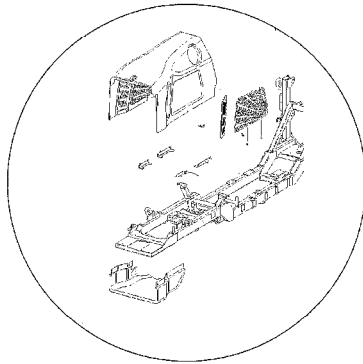
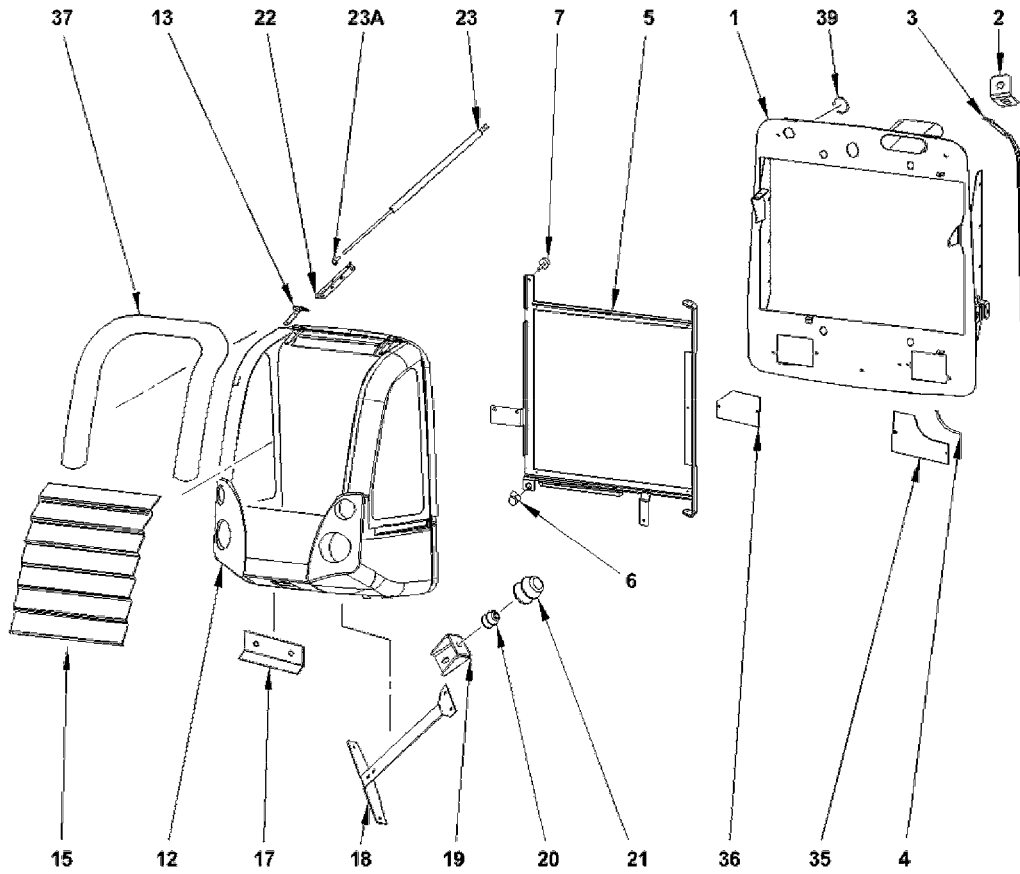
Date 12.08.2020 8:20

Pos.	parts-n°	order qty	description
1	PR-MA0053	1	HOLLOW SCREW CONNECTION FOR 16x150
2	PR-MA0052	1	COPPER SEAL BY BANJO 100
3	PR-MA0051	1	GAS OIL FILTER BANJO
4	PR-DC0039	1	CLAMP BC 9 DIAM 12-20 SS
5	PR-HT0022	1	HOSE 1/2 DIAM 12.7/20 for GO "
6	PR-EC0054	1	DUCT PVC SIB DIAM 22
7	PR-FE44005	1	FLEXIBLE PROTECTION OIL
8	PR-HR1021	1	HYDRAULIC CONNECTION ELBOW MJ3 / 4-MI1
9	PR-HR0753	1	RIGHT END CS FJ3 13/4 "
10	PR-DB1022010040	1	HM Class 8.8 M 10X 40 SCREW
11	PR-DS1502010	1	WASHER DECOL. M10x22x2-Zn
12	PR-DB8422010	1	RING NYLON NUT M10-Zn
A	PR-MA0237-04	1	FILTER, FUEL, DEUTZ, PR
B	PR-MA0342-02	1	FILTER, FUEL, WATER SEPARATOR, DEUTZ, PR



PRESIDIO ENGINE COVER 1  
P705-HAU, 11:01:16

Page	0
Date	12.08.2020 8:20



P706-HAU

# P705-HAU

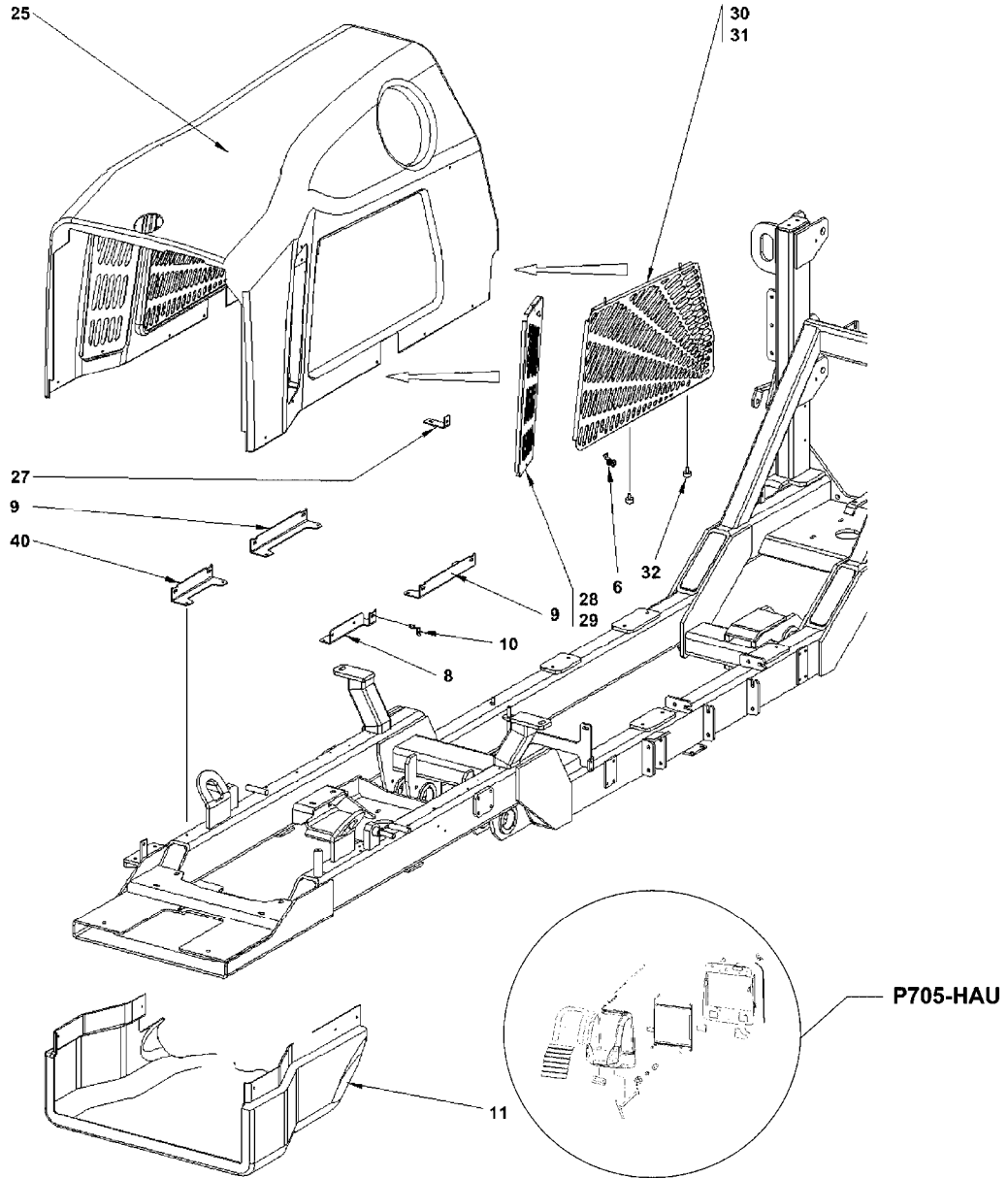


PRESIDIO ENGINE COVER 1  
P705-HAU, 11:01:16

Page 1

Date 12.08.2020 8:20

Pos.	parts-n°	order qty	description
1	PR-FEPR32014	1	PLATE RADIATOR SUPPORT PR3240
2	PR-FEPR32053	1	HOOD MOUNT BRACKET PR3240
3	PR-CA0512	1	JOINT BELLOWS
4	PR-DP0001	1	PLATE PROTECTION TRIM
5	PR-FEPR32075	1	RADIATOR SUPPORT PR3240
6	PR-DD0240	1	LOCK REF + 91 1 5001
7	PR-DD0344	1	STOP RUBBER M8x27 Ø30 H15
8	PR-FEPR25085	1	FRONT LEFT CORNER MOUNT HOOD
9	PR-FEPR25084	1	REAR CORNER MOUNT HOOD
10	PR-DC0204-01	1	SPEED NUT M8
11	PR-TC0176	1	ENGINE COVER LOWER PR2540
12	PR-TC0151	1	RADIATOR HOOD PR3240 PR4240
13	PR-DD0398	1	HINGE STAINLESS 1020.06330
14	PR-FEPR32051	1	PLYWOOD HINGES PR3240
15	PR-FEPR32044	1	HOOD GRILL, FRONT
16	PR-DB3030	1	RIVET DIAM 4 L16 ALU
17	PR-FEPR32048	1	HANDLE HOOD NOSE PRESIDIO
18	PR-FEPR32076	1	BRACKET, T-SHAPED, HOOD, NOSE CONE
19	PR-FEPR32077	1	HOOK BONNET PR3240
20	PR-DD0020	1	STOP MALE WITH FIXING M788003
21	PR-DD0021	1	STOP FEMALE + M788004 FIXING
22	PR-FEPR32050	1	GAS CYLINDER MOUNT BRACKET
23	PR-DD0341	1	GAS SPRING D10 C: 400 F: 200N
23A	PR-DD0342	1	BALL ø13 DD0341, DD0346, DD0347
25	PR-TC0175S	1	HOOD RED PRESIDIO
27	PR-FEPR32089	1	HOOD ANCHOR PR3240
28	PR-FEPR32038	1	SIDE COVER RIGHT FRONT ENGINE HOOD
29	PR-FEPR32039	1	SIDE COVER LEFT FRONT ENGINE HOOD
30	PR-FEPR32035	1	RIGHT SIDE COVER ENGINE HOOD
31	PR-FEPR32037	1	LEFT SIDE COVER ENGINE HOOD
32	PR-DD0256	1	PLOT FIXING CASE U 100
35	PR-FEPR32056	1	COVER LEFT PLATE NOSE PR3240
36	PR-FEPR32055	1	COVER RIGHT PLATE NOSE PR3240
37	PR-TC0159S	1	COVER RAD. AGRI RED
38	PR-DB3042	1	STAINLESS RIVET 4.8 L16
39	PR-CA0129	1	GROMMET D.45
40	PR-FEPR25086	1	FRONT RIGHT CORNER MOUNT HOOD



# P706-HAU

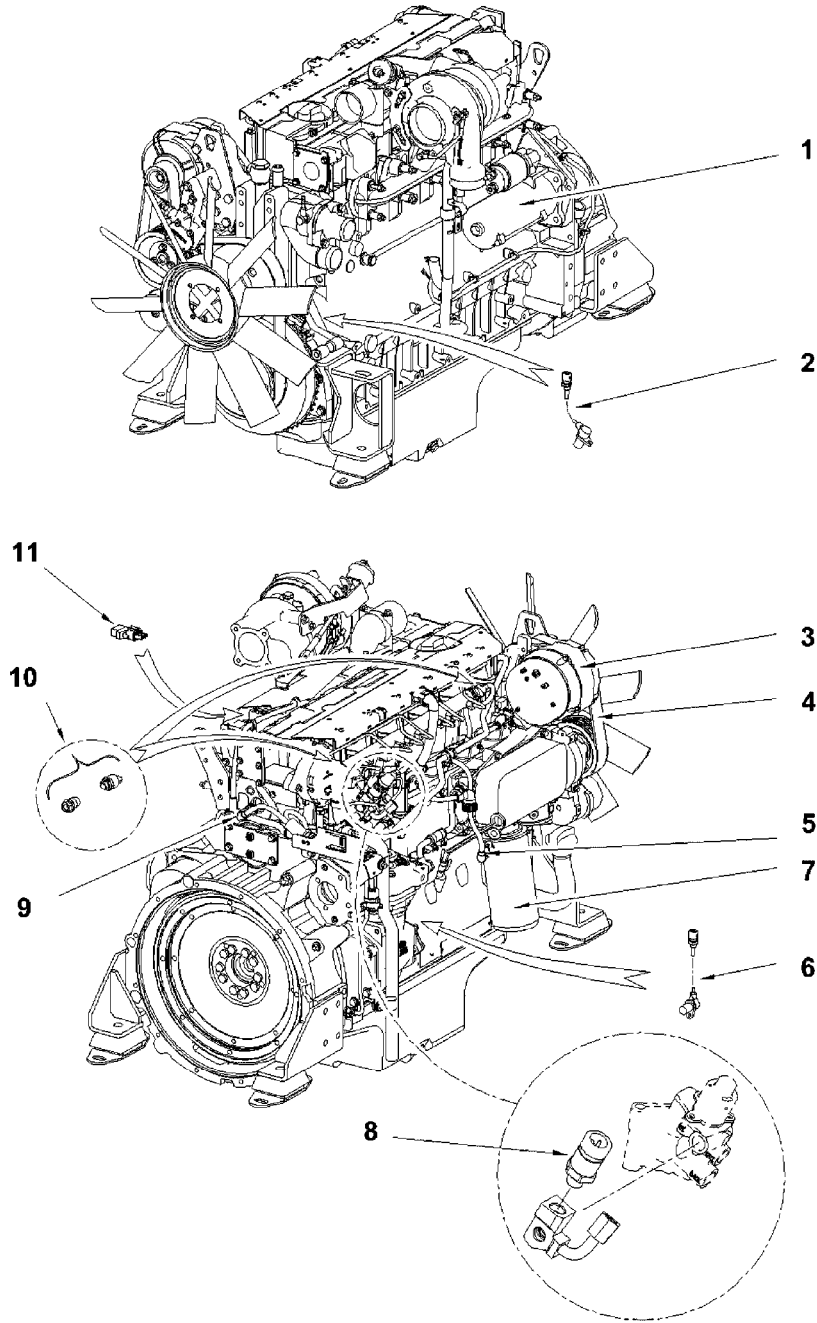


PRESIDIO ENGINE COVER 2  
P706-HAU, 11:01:16

Page 1  
Date 12.08.2020 8:20

Pos.	parts-n°	order qty	description
1	PR-FEPR32014	1	PLATE RADIATOR SUPPORT PR3240
2	PR-FEPR32053	1	HOOD MOUNT BRACKET PR3240
3	PR-CA0512	1	JOINT BELLOWS
4	PR-DP0001	1	PLATE PROTECTION TRIM
5	PR-FEPR32075	1	RADIATOR SUPPORT PR3240
6	PR-DD0240	1	LOCK REF + 91 1 5001
7	PR-DD0344	1	STOP RUBBER M8x27 Ø30 H15
8	PR-FEPR25085	1	FRONT LEFT CORNER MOUNT HOOD
9	PR-FEPR25084	1	REAR CORNER MOUNT HOOD
10	PR-DC0204-01	1	SPEED NUT M8
11	PR-TC0176	1	ENGINE COVER LOWER PR2540
12	PR-TC0151	1	RADIATOR HOOD PR3240 PR4240
13	PR-DD0398	1	HINGE STAINLESS 1020.06330
14	PR-FEPR32051	1	PLYWOOD HINGES PR3240
15	PR-FEPR32044	1	HOOD GRILL, FRONT
16	PR-DB3030	1	RIVET DIAM 4 L16 ALU
17	PR-FEPR32048	1	HANDLE HOOD NOSE PRESIDIO
18	PR-FEPR32076	1	BRACKET, T-SHAPED, HOOD, NOSE CONE
19	PR-FEPR32077	1	HOOK BONNET PR3240
20	PR-DD0020	1	STOP MALE WITH FIXING M788003
21	PR-DD0021	1	STOP FEMALE + M788004 FIXING
22	PR-FEPR32050	1	GAS CYLINDER MOUNT BRACKET
23	PR-DD0341	1	GAS SPRING D10 C: 400 F: 200N
23A	PR-DD0342	1	BALL ø13 DD0341, DD0346, DD0347
25	PR-TC0175S	1	HOOD RED PRESIDIO
27	PR-FEPR32089	1	HOOD ANCHOR PR3240
28	PR-FEPR32038	1	SIDE COVER RIGHT FRONT ENGINE HOOD
29	PR-FEPR32039	1	SIDE COVER LEFT FRONT ENGINE HOOD
30	PR-FEPR32035	1	RIGHT SIDE COVER ENGINE HOOD
31	PR-FEPR32037	1	LEFT SIDE COVER ENGINE HOOD
32	PR-DD0256	1	PLOT FIXING CASE U 100
35	PR-FEPR32056	1	COVER LEFT PLATE NOSE PR3240
36	PR-FEPR32055	1	COVER RIGHT PLATE NOSE PR3240
37	PR-TC0159S	1	COVER RAD. AGRI RED
38	PR-DB3042	1	STAINLESS RIVET 4.8 L16
39	PR-CA0129	1	GROMMET D.45
40	PR-FEPR25086	1	FRONT RIGHT CORNER MOUNT HOOD





**P707-HAU**



PRESIDIO DEUTZ ENGINE PARTS  
P707-HAU, 11:01:16

Page 1

Date 12.08.2020 8:20

Pos.	parts-n°	order qty	description
1	PR-MA0021	1	STARTER 12V/3Kw BF4M/6M1013
2	PR-MA0209-06	1	SENSOR GEAR BIS
3	PR-MA0235	1	ALTERNATOR 12V/150A BF4M/6M2012
4	PR-MA0373	1	BELT
5	PR-MA0209-03	1	OIL PRESSURE SENSOR
6	PR-MA0209-05	1	ENGINE SPEED SENSOR
7	PR-MA0009	1	FILTER, OIL, DEUTZ, PR
8	PR-MA0209-02	1	FUEL PRESSURE SENSOR
9	PR-MA0256	1	WATER TEMPERATURE SENSOR
10	PR-MA0376	1	VALVE AND RAIL PRESSURE SENSOR
11	PR-MA0209-01	1	PRESSURE SENSOR TURBO