



**Agroparts: [www.HARDI-INTERNATIONAL.com](http://www.HARDI-INTERNATIONAL.com)**

Commander 4400/6600/9000 1850  
Gallon Eagle 80', 88', 90',  
100'

Country-Code 11

Date 16.03.2016 13:54





Commander 4400/6600/9000 1850  
Gallon Eagle 80', 88', 90',  
100'

Page 0.1

Date 16.03.2016 13:54

| main group                     | page-n°   | date                   | description                    |
|--------------------------------|-----------|------------------------|--------------------------------|
| Pumps                          | A0330-HIN | 01:01:16               | PUMP - 463 W/ MOUNTING BASE    |
|                                | A0340-HIN | 01:01:16               | PUMP - 463/1000 RPM W/MOUNTING |
|                                | A0350-HIN | 01:01:16               | PUMP - 464 540/1000 RPM        |
|                                | A0380-HIN | 01:01:16               | PUMP - 463 FLEX CAPACITY       |
|                                | A0390-HIN | 01:01:16               | PUMP - 460/462/463 FITTINGS    |
|                                | A0450-HIN | 01:01:16               | PUMP - 650 ACE CENTRIFUGAL     |
|                                | A0460-HIN | 01:01:16               | PUMP HYD.MOTOR ACE 650         |
|                                | A0560-HIN | 01:01:16               | C.V.PTO-BLACK TRIANG.(POST'05) |
| System overview                | AA101-HIN | 01:01:16               | COMMANDER 6600/9000 OVERVIEW   |
| Controls, Filters, Valves      | B0320-HIN | 01:01:16               | EC BOOM VALVES NCM             |
|                                | B0370-HIN | 01:01:16               | PRESSURE REGULATOR - S93 06    |
|                                | B0430-HIN | 01:01:16               | MANIFOLD - S67 VALVE           |
|                                | B0500-HIN | 01:01:16               | SMART VALVE S67 S93 (07)       |
|                                | B0610-HIN | 01:01:16               | CHECK VALVES - S40             |
|                                | B0620-HIN | 01:01:16               | CHECK VALVES - S53             |
|                                | B0630-HIN | 01:01:16               | CHECK VALVES - S67             |
|                                | B0640-HIN | 01:01:16               | CHECK VALVES - S67 (2011)      |
|                                | B0720-HIN | 01:01:16               | EASY CLEAN FILTER              |
|                                | B0730-HIN | 01:01:16               | PRESSURE FILTER - CYCLONE      |
| B0740-HIN                      | 01:01:16  | NCM 4400/6600 MANIFOLD |                                |
| Hydraulics                     | C0020-HIN | 01:01:16               | HYDRAULICS - CYLINDERS         |
|                                | C0030-HIN | 01:01:16               | HYDRAULICS - FAROIL CYLINDERS  |
|                                | C0040-HIN | 01:01:16               | HYDRAULICS - CYLINDERS (07)    |
|                                | C0570-HIN | 01:01:16               | HYD.BLOCK EAGLE/FORCE PRE 2012 |
|                                | C0580-HIN | 01:01:16               | CETOP VALVES                   |
|                                | C0590-HIN | 01:01:16               | HYD.BLOCK EAGLE/FORCE 2012     |
|                                | C0610-HIN | 01:01:16               | BASIC HYDRAULICS NCM 4400/6600 |
|                                | C0630-HIN | 01:01:16               | TRACK HYDRAULICS NCM 4400/6600 |
|                                | C0640-HIN | 01:01:16               | HYD EAGLE HZ SPC 80'-100'      |
| Booms, Nozzle Bodies & Tubes   | D0390-HIN | 01:01:16               | BOOM SPC PARAL.CTR.80-100' DK  |
|                                | D0400-HIN | 01:01:16               | BOOM - SPC INNER WING 80-100'  |
|                                | D0410-HIN | 01:01:16               | BOOM - SPC OUTER WING 80-100'  |
|                                | D0440-HIN | 01:01:16               | BOOM SPC PARAL.CTR.80-100' US  |
|                                | D0450-HIN | 01:01:16               | BOOM CABLE KIT SPC 80'-90'     |
|                                | D0560-HIN | 01:01:16               | TRANSPORT BKTS - NCM/NAVIGATOR |
|                                | D1000-HIN | 01:01:16               | BOOM-NOZZLES 110° FLAT FAN ISO |
|                                | D1010-HIN | 01:01:16               | BOOM-NOZZLES 110° LOWDRIFT ISO |
|                                | D1020-HIN | 01:01:16               | BOOM-NOZZLES 80° FLAT FAN ISO  |
|                                | D1030-HIN | 01:01:16               | BOOM-NOZZLE CAPS AND FILTERS   |
|                                | D1040-HIN | 01:01:16               | BOOM-NOZZLES INJET             |
|                                | D1050-HIN | 01:01:16               | BOOM-NOZZLES MINIDRIFT         |
|                                | D1060-HIN | 01:01:16               | BOOM-NOZZLES QUINTASTREAM      |
|                                | D1090-HIN | 01:01:16               | NOZZLE BODIES-SNAP FIT         |
|                                | D1100-HIN | 01:01:16               | DOUBLE NOZZLE HOLDER-SNAP FIT  |
|                                | D1110-HIN | 01:01:16               | NOZZLE TUBES & HOLDER-PLASTIC  |
| Tank and Frame: Field Sprayers | E0790-HIN | 01:01:16               | HUB ASSEMBLE F.4-1/2" SPINDLE  |
|                                | E0810-HIN | 01:01:16               | CAMOPLAST TRACK 40 SERIES      |
|                                | E0830-HIN | 01:01:16               | CAMOPLAST FRAME 40 SERIES      |
|                                | E0840-HIN | 01:01:16               | CAMOPLAST TENSION LINK ASSY.   |
|                                | E0850-HIN | 01:01:16               | CAMOPLAST TENSIONER ASSEMBLY   |
|                                | E0860-HIN | 01:01:16               | CAMOPLAST ALIGNMENT ASSEMBLY   |
|                                | E0880-HIN | 01:01:16               | CAMOPLAST BOGIE MID-ROLLER 40  |



**Agroparts: www.HARDI-INTERNATIONAL.com**

Commander 4400/6600/9000 1850  
Gallon Eagle 80', 88', 90',  
100'

Page 0.2

Date 16.03.2016 13:54

| main group                | page-n°   | date                           | description                     |                               |
|---------------------------|-----------|--------------------------------|---------------------------------|-------------------------------|
| Special equipment, Extras | E0890-HIN | 01:01:16                       | CAMOPLAST HUB ASSEMBLY - IDLER  |                               |
|                           | E0900-HIN | 01:01:16                       | CAMOPLAST HUB ASSY. MID-ROLLER  |                               |
|                           | E0980-HIN | 01:01:16                       | TANK NCM 4400/6600/9000         |                               |
|                           | E0990-HIN | 01:01:16                       | LOCKER & CLEAN WATER TANK NCM   |                               |
|                           | E1000-HIN | 01:01:16                       | SHIELDS NCM 4400/6600/9000      |                               |
|                           | E1010-HIN | 01:01:16                       | FRAME - NCM 4400/6600           |                               |
|                           | E1020-HIN | 01:01:16                       | SWIVEL HOSE GUARD - NCM         |                               |
|                           | E1030-HIN | 01:01:16                       | HYD. DRAWBAR - NCM 6600         |                               |
|                           | E1040-HIN | 01:01:16                       | FRAME - REAR W/PARALIFT NCM     |                               |
|                           | E1050-HIN | 01:01:16                       | NCM 4400/6600 NON-SUSPEND.AXLE  |                               |
|                           | E1060-HIN | 01:01:16                       | NCM 4400/6600 SUSPENDED AXLE    |                               |
|                           | E1070-HIN | 01:01:16                       | WHEELS FOR NEW COMMANDER        |                               |
|                           | Fittings  | K0110-HIN                      | 01:01:16                        | CHEMICAL FILLER-HOPPER NCM    |
|                           |           | K0180-HIN                      | 01:01:16                        | DRAIN ASSEMBLY-PULL CORD TYPE |
| K0230-HIN                 |           | 01:01:16                       | END NOZZLE KIT                  |                               |
| K0250-HIN                 |           | 01:01:16                       | ELECTRIC END NOZZLE KIT '09     |                               |
| K0260-HIN                 |           | 01:01:16                       | ELECTRIC END NOZZLE KIT '12     |                               |
| K0270-HIN                 |           | 01:01:16                       | FILTER ASSEMBLIES-IN LINE       |                               |
| K0370-HIN                 |           | 01:01:16                       | FLUSH SYSTEM - NCM/NAVIGATOR    |                               |
| K0390-HIN                 |           | 01:01:16                       | FOAM MARKER COMPRESSOR 2002     |                               |
| K0400-HIN                 |           | 01:01:16                       | FOAM MARKER COMPRESSOR 2007     |                               |
| K0430-HIN                 |           | 01:01:16                       | FOAMMARKER DROPPER UPDATE 2000  |                               |
| K0470-HIN                 |           | 01:01:16                       | FOAM MARKER TANK - NCM/NAV      |                               |
| K0500-HIN                 |           | 01:01:16                       | HOSE REEL - COMMANDER           |                               |
| K0560-HIN                 |           | 01:01:16                       | PRESSURE GAUGES                 |                               |
| K0610-HIN                 |           | 01:01:16                       | QUICKFILL-VALVES-BANJO 2" & 3"  |                               |
| K0740-HIN                 | 01:01:16  | RINSE SYSTEM NOZZLE - LOW MOD. |                                 |                               |
| Electrical Equipment      | L0010-HIN | 01:01:16                       | FITTINGS-CAP NUTS & HOSE BARBS  |                               |
|                           | L0020-HIN | 01:01:16                       | FITTINGS-T-PIECES,CAPS & ELBOWS |                               |
|                           | L0030-HIN | 01:01:16                       | FITTINGS - HEXAGON NIPPLES      |                               |
|                           | L0040-HIN | 01:01:16                       | FITTINGS - NIPPLES & ELBOWS     |                               |
|                           | L0050-HIN | 01:01:16                       | FITTINGS - HOSE CONNECTORS      |                               |
|                           | L0060-HIN | 01:01:16                       | FITTINGS - BULKHEAD             |                               |
|                           | L0070-HIN | 01:01:16                       | FITTINGS - S-40                 |                               |
|                           | L0080-HIN | 01:01:16                       | FITTINGS - S-53                 |                               |
|                           | L0090-HIN | 01:01:16                       | FITTINGS - S-56 & S-61          |                               |
|                           | L0100-HIN | 01:01:16                       | FITTINGS - S-67                 |                               |
|                           | L0110-HIN | 01:01:16                       | FITTINGS - S-93                 |                               |
|                           | L0120-HIN | 01:01:16                       | BULK HOSE                       |                               |
|                           | L0130-HIN | 01:01:16                       | HOSE CLAMPS                     |                               |
|                           | M0010-HIN | 01:01:16                       | BOOM AND WORKING LIGHT KIT      |                               |
| M0020-HIN                 | 01:01:16  | BOOM AND WORKING LIGHT KIT 09  |                                 |                               |
| M0030-HIN                 | 01:01:16  | CFX-750 DISPLAY, DGPS          |                                 |                               |
| M0040-HIN                 | 01:01:16  | EZ-GUIDE PLUS LIGHT BAR        |                                 |                               |
| M0050-HIN                 | 01:01:16  | EZ-STEER STEERING SYSTEM       |                                 |                               |
| M0060-HIN                 | 01:01:16  | EZ-GUIDE 500 LIGHTBAR          |                                 |                               |
| M0070-HIN                 | 01:01:16  | EZ-STEER 500 STEERING SYSTEM   |                                 |                               |
| M0080-HIN                 | 01:01:16  | EZ-GUIDE 250 LIGHTBAR          |                                 |                               |
| M0130-HIN                 | 01:01:16  | COMMON SENSORS AND BRACKETS    |                                 |                               |
| M0140-HIN                 | 01:01:16  | PRESSURE SENSOR - AMP          |                                 |                               |
| M0150-HIN                 | 01:01:16  | ANGLE SENSOR NCM               |                                 |                               |
| M0160-HIN                 | 01:01:16  | TRAFFIC LIGHT KIT              |                                 |                               |
| M0180-HIN                 | 01:01:16  | SYSTEM OVERVIEW HC5500         |                                 |                               |
| M0190-HIN                 | 01:01:16  | DISPLAY HC 5500                |                                 |                               |
| M0200-HIN                 | 01:01:16  | SPRAYBOX II                    |                                 |                               |



Commander 4400/6600/9000 1850  
 Gallon Eagle 80', 88', 90',  
 100'

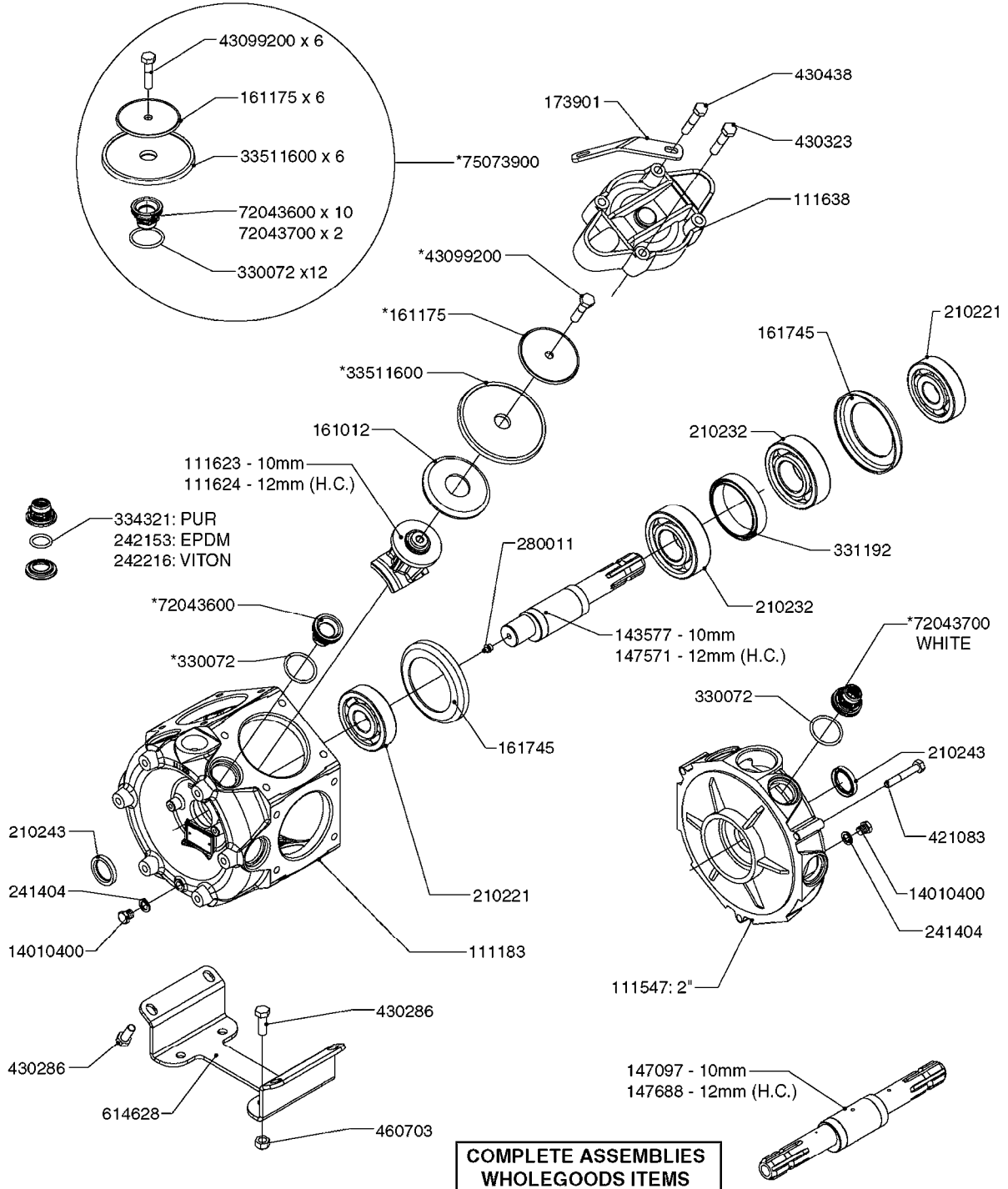
Page 0.3

Date 16.03.2016 13:54

| main group | page-n°   | date     | description                   |
|------------|-----------|----------|-------------------------------|
|            | M0210-HIN | 01:01:16 | HYDRAULIC CONTROL BOX 39-PIN  |
|            | M0220-HIN | 01:01:16 | CABLES                        |
|            | M0230-HIN | 01:01:16 | JUNCTION BOX - LIQUID         |
|            | M0240-HIN | 01:01:16 | POWER SUPPLY CABLES           |
|            | M0250-HIN | 01:01:16 | JOB COM AND BREAK OUT         |
|            | M0260-HIN | 01:01:16 | TRACK ASSEMBLY BOX NCM        |
|            | M0270-HIN | 01:01:16 | HC 5500 ACCESSORIES           |
|            | M0280-HIN | 01:01:16 | 39 PIN CABLES                 |
|            | M0290-HIN | 01:01:16 | NORAC UC4 BOOM HEIGHT CONTROL |
|            | M0300-HIN | 01:01:16 | NORAC VARIABLE RATE VALVE UC4 |
|            | M0350-HIN | 01:01:16 | JUNCTION BOXES - HYDRAULIC    |
|            | M0360-HIN | 01:01:16 | NORAC SEVERE TERRAIN KIT      |
|            | M0370-HIN | 01:01:16 | NORAC UC5 BOOM HEIGHT CONTROL |
|            | M0380-HIN | 01:01:16 | NORAC VAR. RATE VALVE UC4/UC5 |
|            | M0400-HIN | 01:01:16 | HYD. JUNCTION BOX 2012        |



**PUMP REPAIR KIT**



**COMPLETE ASSEMBLIES  
WHOLEGOODS ITEMS**

**COMPLETE PUMPS**

- 821587 - 463/10 2" W/THROUGH SHAFT (540 RPM)
- 82166300 - 463/12 2" (540 RPM H.C. INLINE PORTS)
- 463/12 2" (540 RPM H.C. OFFSET PORTS) REPLACED BY 82168700 (PAGE A0350)

**A0330**

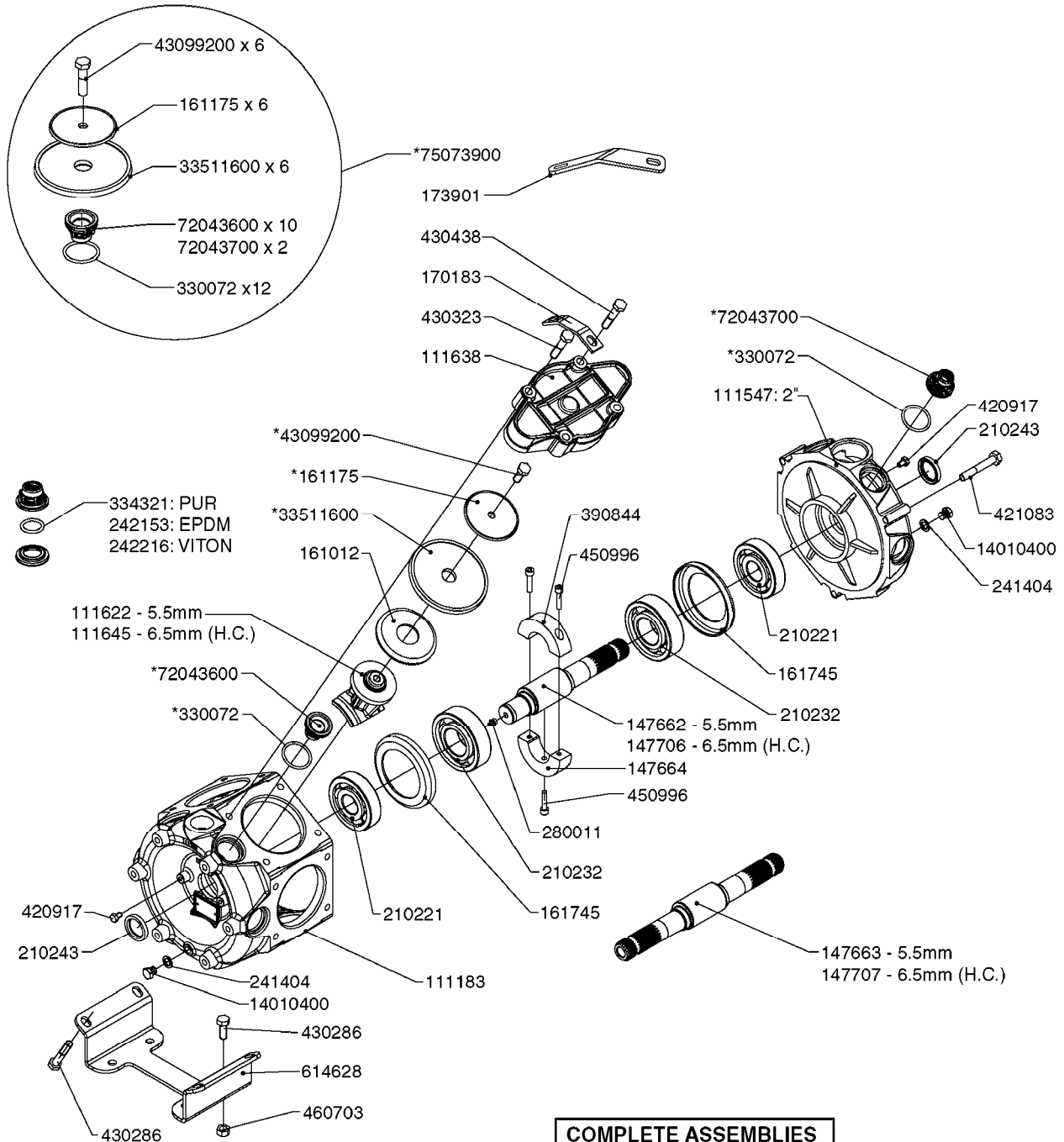


PUMP - 463 W/ MOUNTING BASE  
A0330-HIN, 01:01:16

Page 1

Date 16.03.2016 13:54

| parts-n° | order qty | description                     |
|----------|-----------|---------------------------------|
| 111183   | 1         | PUMP CASTING 460-463 (PAINTED)  |
| 111547   | 1         | PUMP FRONT 460-463-2' (PAINT)   |
| 111623   | 1         | CONNECTING ROD 463/10MM         |
| 111624   | 1         | CONNECTING ROD 463/12MM         |
| 111638   | 1         | VALVE COVER 463 HC+1000 VERS.   |
| 143577   | 1         | CRANK SHAFT F.363/462/463-10mm  |
| 147097   | 1         | CRANK SHAFT 363-463/10 THROUGH  |
| 147571   | 1         | CRANK SHAFT F.463-12mm          |
| 147688   | 1         | CRANK SHAFT 462/12 THROUGH      |
| 161012   | 1         | DIAPHRAGM BACKING DISC F. 463   |
| 161175   | 1         | DIAPHRAGM DISC F. 463 PUMP      |
| 161745   | 1         | METAL SPACER F.363/463          |
| 173901   | 1         | LIFT STRAP F.PUMP 463           |
| 210221   | 1         | BEARING BALL 6407               |
| 210232   | 1         | BEARING BALL 6310               |
| 210243   | 1         | SEAL OIL 35 X 47 X 7            |
| 241404   | 1         | DOWTY SEAL 1/4"                 |
| 242153   | 1         | O-RING D26X4 EPDM               |
| 242216   | 1         | O-RING VITON F/1202/1302/462    |
| 280011   | 1         | GREASE NIPPLE 3/8' SAE H TR     |
| 330072   | 1         | O-RING D53.5/D45.5X4            |
| 331192   | 1         | SPACER, MODEL 361/363           |
| 334321   | 1         | O-RING POLY. 34.0x26.0x4.0      |
| 421083   | 1         | BOLT HEX 8.8 DEL M10X65         |
| 430286   | 1         | BOLT HEX 8.8 DEL M12X30 FT      |
| 430323   | 1         | BOLT HEX 8.8 DEL M12X60         |
| 430438   | 1         | BOLT HEX 8.8 DEL M12X65         |
| 460703   | 1         | NUT HEX M12X1.75 LOCK DIN985    |
| 614628   | 1         | FOOT FOR PUMP 460-463 PAINTED   |
| 821587   | 1         | PUMP 463/10 THROUGH SHAFT TWNF  |
| 14010400 | 1         | PLUG 1/4" BSP                   |
| 33511600 | 1         | DIAPHRAGM PUMP 463/464 PUMP PUR |
| 43099200 | 1         | BOLT HEX SS M12 X 30 DIN933 A4  |
| 72043600 | 1         | VALVE FOR 462/463               |
| 72043700 | 1         | VALVE FOR 462/463 W.VENT HOLE   |
| 75073900 | 1         | PUMP KIT 463 "06"               |
| 82166300 | 1         | PUMP 463-12 2"SUC 540RPM        |
| 82168700 | 1         | PUMP 464/12/540 OFFSET PORTS    |



**COMPLETE ASSEMBLIES  
WHOLEGOODS ITEMS**

**COMPLETE PUMPS**

- 821585 - 463/5.5 W/THROUGH SHAFT (1000 RPM)
- 821587 - 463/10 W/THROUGH SHAFT (540 RPM)
- 82169400 - 464/6.5 (1000 RPM - H.C. INLINE PORTS)
- 72293300 - 463/6.5 W/THROUGH SHAFT (1000 RPM)
- 463/12 (540 RPM H.C. OFFSET PORTS) REPLACED BY 82168700 (PAGE A0350)
- 463/6.5 (1000 RPM H.C. OFFSET PORTS) REPLACED BY 82168800 (PAGE A0350)

**A0340**



PUMP - 463/1000 RPM W/MOUNTING  
A0340-HIN, 01:01:16

Page

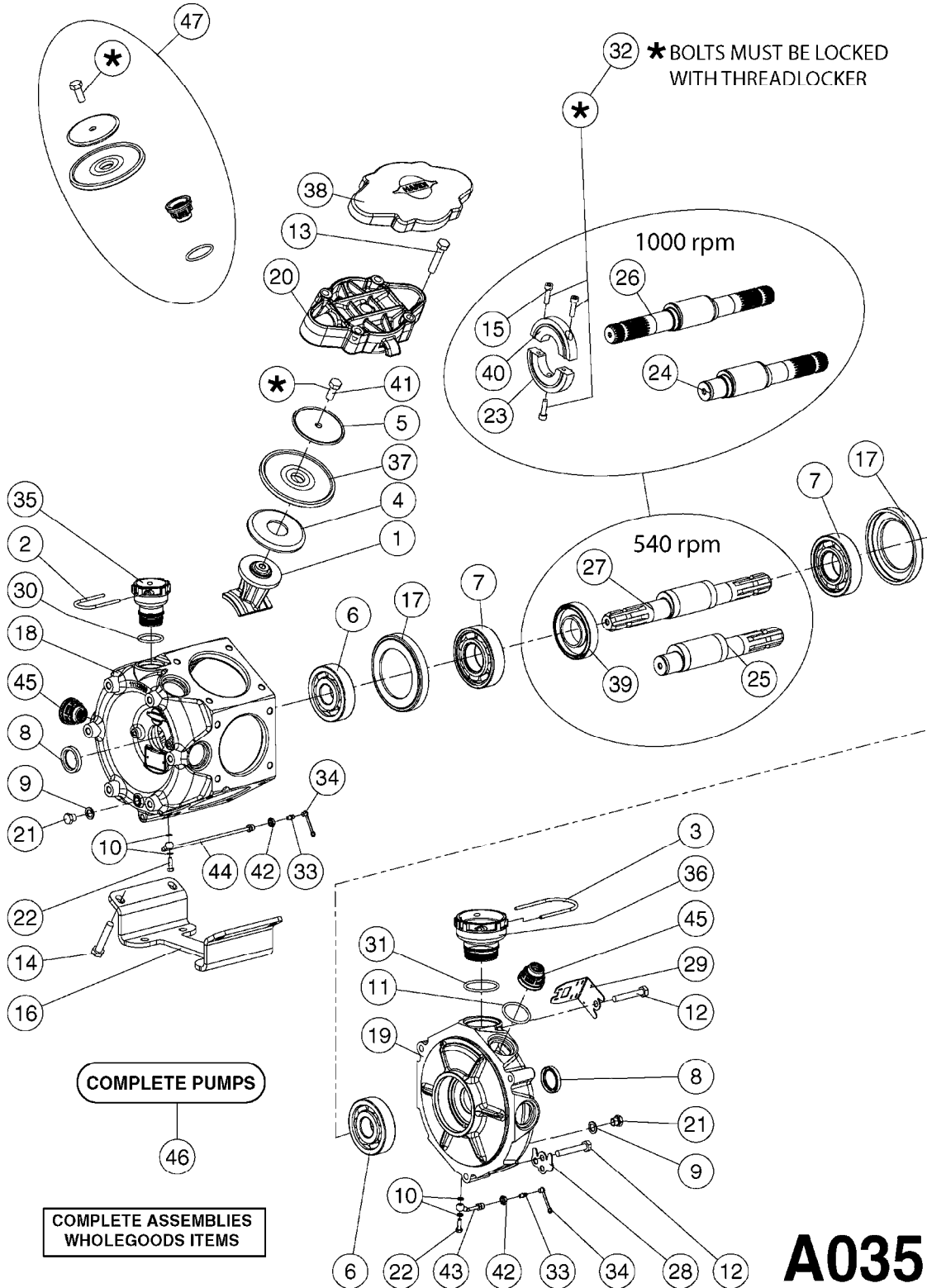
1

Date

16.03.2016 13:54

| parts-n° | order qty | description                     |
|----------|-----------|---------------------------------|
| 111183   | 1         | PUMP CASTING 460-463 (PAINTED)  |
| 111547   | 1         | PUMP FRONT 460-463-2' (PAINT)   |
| 111622   | 1         | CONNECTING ROD 463/5.5MM        |
| 111638   | 1         | VALVE COVER 463 HC+1000 VERS.   |
| 111645   | 1         | CONNECTING ROD 463/6.5MM        |
| 147662   | 1         | CRANK SHAFT F.363/463-5.5MM     |
| 147663   | 1         | CRANK SHAFT 363/463-5.5 THROUG  |
| 147664   | 1         | COUNTERBALANCE 363/463 WEIGHT   |
| 147706   | 1         | CRANK SHAFT F.363/463-6.5MM     |
| 147707   | 1         | CRANK SHAFT 363/463-6.5 THROUG  |
| 161012   | 1         | DIAPHRAGM BACKING DISC F. 463   |
| 161175   | 1         | DIAPHRAGM DISC F. 463 PUMP      |
| 161745   | 1         | METAL SPACER F.363/463          |
| 170183   | 1         | LIFT STRAP F.PUMP 360/361/462   |
| 173901   | 1         | LIFT STRAP F.PUMP 463           |
| 210221   | 1         | BEARING BALL 6407               |
| 210232   | 1         | BEARING BALL 6310               |
| 210243   | 1         | SEAL OIL 35 X 47 X 7            |
| 241404   | 1         | DOWTY SEAL 1/4"                 |
| 242153   | 1         | O-RING D26X4 EPDM               |
| 242216   | 1         | O-RING VITON F/1202/1302/462    |
| 280011   | 1         | GREASE NIPPLE 3/8' SAE H TR     |
| 330072   | 1         | O-RING D53.5/D45.5X4            |
| 334321   | 1         | O-RING POLY. 34.0x26.0x4.0      |
| 390844   | 1         | COUNTERBALANCE 363/463 POM      |
| 420917   | 1         | BOLT HEX 8.8 RAW M8X12 FT       |
| 421083   | 1         | BOLT HEX 8.8 DEL M10X65         |
| 430286   | 1         | BOLT HEX 8.8 DEL M12X30 FT      |
| 430323   | 1         | BOLT HEX 8.8 DEL M12X60         |
| 430438   | 1         | BOLT HEX 8.8 DEL M12X65         |
| 450996   | 1         | BOLT ALLEN M8X35 DIN 912 RAW    |
| 460703   | 1         | NUT HEX M12X1.75 LOCK DIN985    |
| 614628   | 1         | FOOT FOR PUMP 460-463 PAINTED   |
| 821585   | 1         | PUMP 463/5.5 THRGH SHAFT 1000R  |
| 821587   | 1         | PUMP 463/10 THROUGH SHAFT TWNF  |
| 14010400 | 1         | PLUG 1/4" BSP                   |
| 33511600 | 1         | DIAPHRAGM PUMP 463/464 PUMP PUR |
| 43099200 | 1         | BOLT HEX SS M12 X 30 DIN933 A4  |
| 72043600 | 1         | VALVE FOR 462/463               |
| 72043700 | 1         | VALVE FOR 462/463 W.VENT HOLE   |
| 72293300 | 1         | PUMP 463/6.5 MED-2-1000-GG      |
| 75073900 | 1         | PUMP KIT 463 "06"               |
| 82168700 | 1         | PUMP 464/12/540 OFFSET PORTS    |
| 82168800 | 1         | PUMP 464/6.5/1000 OFFSET PORTS  |
| 82169400 | 1         | PUMP 464-6.5-STD-2-1000 FK      |





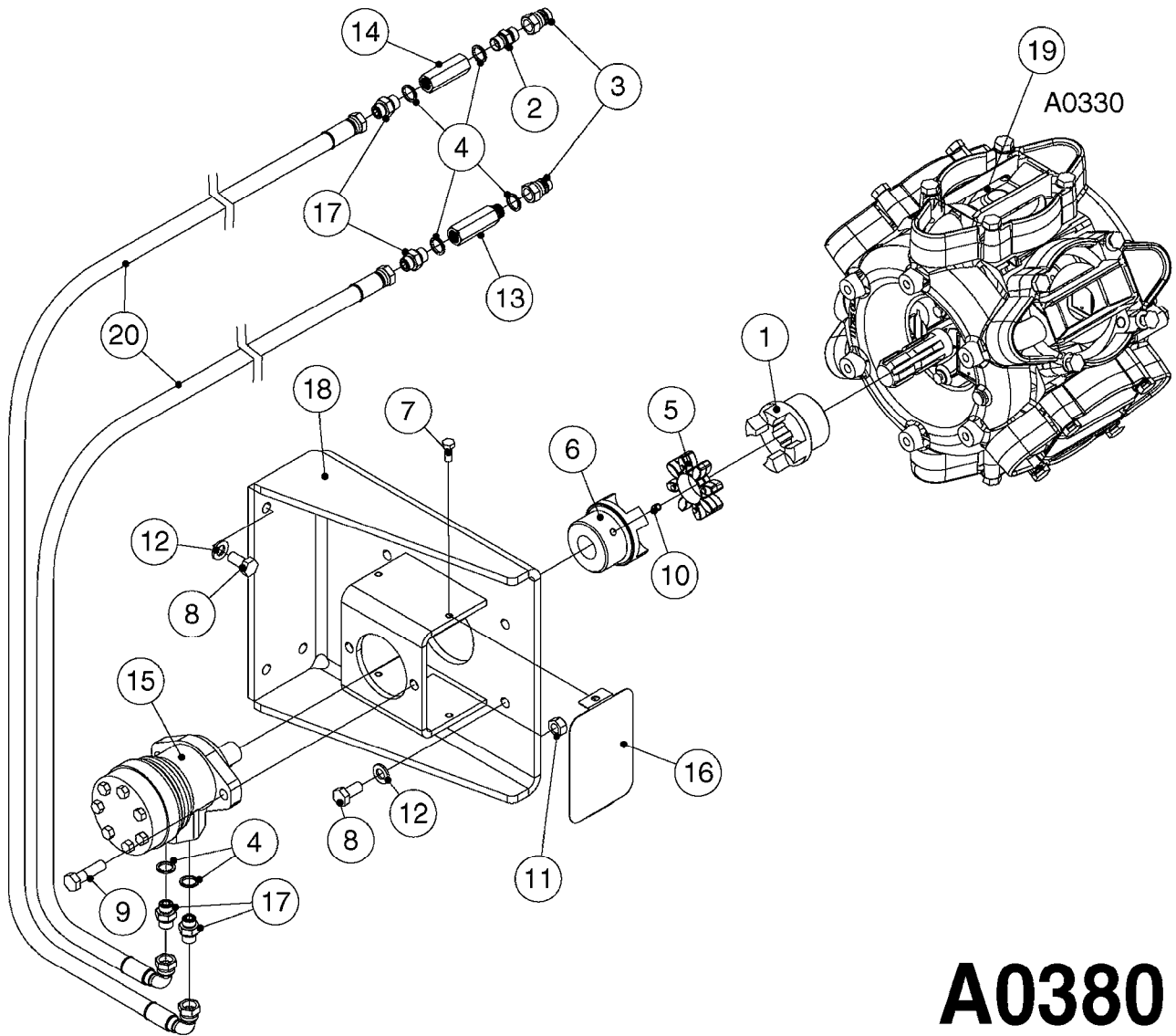


PUMP - 464 540/1000 RPM  
A0350-HIN, 01:01:16

Page 1

Date 16.03.2016 13:54

| Pos. | parts-n° | order qty | description                          |
|------|----------|-----------|--------------------------------------|
| 1    | 111622   | 1         | CONNECTING ROD 463/5.5MM             |
| 1    | 111623   | 1         | CONNECTING ROD 463/10MM              |
| 1    | 111624   | 1         | CONNECTING ROD 463/12MM              |
| 1    | 111645   | 1         | CONNECTING ROD 463/6.5MM             |
| 2    | 145996   | 1         | FITT.DK S-67 FORK                    |
| 3    | 145997   | 1         | FITT.DK S-93 FORK                    |
| 4    | 161012   | 1         | DIAPHRAGM BACKING DISC F. 463        |
| 5    | 161175   | 1         | DIAPHRAGM DISC F. 463 PUMP           |
| 6    | 210221   | 1         | BEARING BALL 6407                    |
| 7    | 210232   | 1         | BEARING BALL 6310                    |
| 8    | 210243   | 1         | SEAL OIL 35 X 47 X 7                 |
| 9    | 241404   | 1         | DOWTY SEAL 1/4"                      |
| 10   | 242374   | 1         | WASHER Ø10/Ø6X1 COPPER               |
| 11   | 330072   | 1         | O-RING D53.5/D45.5X4                 |
| 12   | 421072   | 1         | BOLT HEX 8.8 RAW M10X65              |
| 13   | 430312   | 1         | BOLT HEX 8.8 RAW M12X60              |
| 14   | 430437   | 1         | BOLT HEX 8.8 RAW M12X65              |
| 15   | 450995   | 1         | BOLT ALLEN M8X30 DIN 912 RAW         |
| 16   | 614628   | 1         | FOOT FOR PUMP 460-463 PAINTED        |
| 17   | 11171900 | 1         | METAL SPACER F. 364/464 MACHINED     |
| 18   | 11172200 | 1         | PUMP HOUSE 464 MACHINED 5/4" BSP RED |
| 19   | 11172600 | 1         | FRONTPART 464 MACHINED 2" BSP RED    |
| 20   | 11173000 | 1         | VALVE COVER.464 MACHINED RED         |
| 21   | 14010400 | 1         | PLUG 1/4" BSP                        |
| 22   | 14120400 | 1         | BANJOBOLT M6 X 19                    |
| 23   | 14120700 | 1         | COUNTERWEIGHT 364/464-1000           |
| 24   | 14137300 | 1         | CRANKSHAFT 364/464-5.5 1000          |
| 24   | 14137400 | 1         | CRANKSHAFT 364/464-6.5 1000          |
| 25   | 14137600 | 1         | CRANKSHAFT 364/464-10                |
| 25   | 14137700 | 1         | CRANKSHAFT 464-12                    |
| 26   | 14137900 | 1         | CRANKSHAFT 364/464-5.5 GG 1000       |
| 26   | 14138000 | 1         | CRANKSHAFT 364/464-6.5 GG 1000       |
| 27   | 14138200 | 1         | CRANKSHAFT 364/464-10 GG             |
| 27   | 14138300 | 1         | CRANKSHAFT 464-12 GG                 |
| 28   | 16383000 | 1         | GREASE NIPPLE PLATE 464              |
| 29   | 16390600 | 1         | BRACKET FOR RPM SENSOR               |
| 30   | 24266600 | 1         | O-RING D 38,0 X 4,0 70SH.NITR        |
| 31   | 24266800 | 1         | O-RING D 54,0 X 4,0 70SH.NITR        |
| 32   | 28045503 | 1         | LOCTITE 262 .5ML (.017oz.)           |
| 33   | 28163300 | 1         | GREASE NIPPLE H1 M6X1 DIN 7412       |
| 34   | 28163400 | 1         | CAP F. GREASENIPPLE YELLOW M6X1      |
| 35   | 32242200 | 1         | FITTING S67 5/4" KON. RG 2014        |
| 36   | 32242400 | 1         | FITTING S93 2" KON. RG 2014          |
| 37   | 33511600 | 1         | DIAPHRAGM PUMP 463/464 PUMP PUR      |
| 38   | 33524000 | 1         | COVER PLASTIC 464 PUMP               |
| 39   | 33524200 | 1         | DISTANCE RING/GREASE SPLIT           |
| 40   | 39136200 | 1         | HALFPART 364/464-1000                |
| 41   | 43099200 | 1         | BOLT HEX SS M12 X 30 DIN933 A4       |
| 42   | 46134000 | 1         | NUT HEX M10x1 H=2.3 NV=14 ELZIN      |
| 43   | 61097000 | 1         | BANJOTUBE SHORT 464 COMPL.           |
| 44   | 61097100 | 1         | BANJOTUBE LONG 464 COMPL.            |
| 45   | 72043600 | 1         | VALVE FOR 462/463                    |
| 46   | 72993500 | 1         | PUMP 464/12-540, CM                  |
| 46   | 72993600 | 1         | PUMP 464/6.5 MED-2-1000              |
| 46   | 82168700 | 1         | PUMP 464/12/540 OFFSET PORTS         |
| 46   | 82168800 | 1         | PUMP 464/6.5/1000 OFFSET PORTS       |
| 46   | 82169000 | 1         | PUMP 464/10-MOD-2-540                |
| 47   | 75586000 | 1         | PUMP KIT 464                         |



**A0380**



PUMP - 463 FLEX CAPACITY  
A0380-HIN, 01:01:16

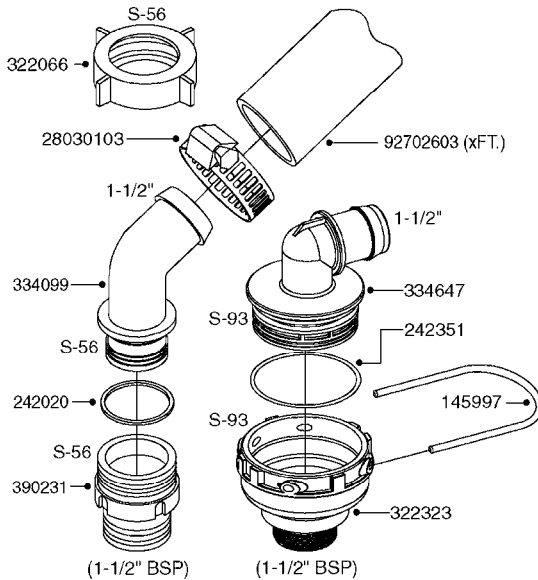
Page 1

Date 16.03.2016 13:54

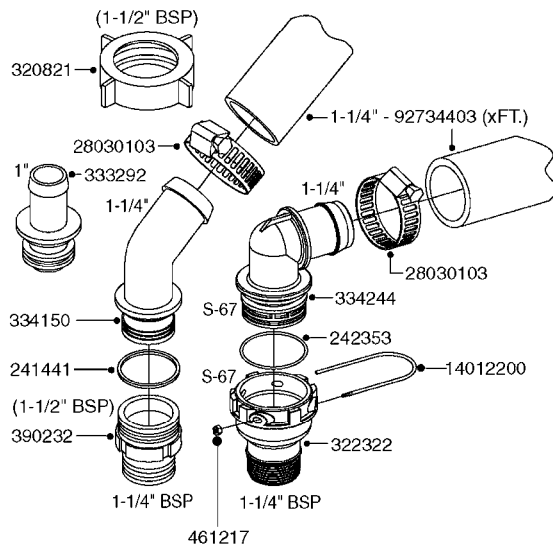
| Pos. | parts-n° | order qty | description                                      |
|------|----------|-----------|--------------------------------------------------|
| 1    | 111438   | 1         | HUB F.CLUTCH 361/460 PUMP                        |
| 2    | 147132   | 1         | HEX NIPPLE 1/2"X1/2" BSP DEL                     |
| 3    | 230311   | 1         | QUICK COUPLING 1/2"                              |
| 4    | 241356   | 1         | DOWTYSEAL 1/2"                                   |
| 5    | 283916   | 1         | TOOTHED RIM FOR CLUTCH                           |
| 6    | 284521   | 1         | COUPLING HALF CYL.D25MM-KEY                      |
| 7    | 420582   | 1         | BOLT HEX 8.8 DEL M8X20 FT A2                     |
| 8    | 430522   | 1         | BOLT HEX 8.8 DEL M12X25 FT                       |
| 9    | 430878   | 1         | BOLT HEX 8.8 DEL M12X45 DIN931                   |
| 10   | 450052   | 1         | SCREW SET M8X10 BLACK ALLAN                      |
| 11   | 460703   | 1         | NUT HEX M12X1.75 LOCK DIN985                     |
| 12   | 471127   | 1         | WASHER, M12, Ø24/13.0X 2.5, SS                   |
| 13   | 782153   | 1         | PRESS. FLOW VALVE 1/2", 32L/MIN, PAINTED (BLACK) |
| 14   | 782154   | 1         | CHECK VALVE 284794 (BLACK)                       |
| 15   | 783010   | 1         | MOTOR HYDRAULIC OMR50                            |
| 16   | 16154400 | 1         | COVER PLATE F. FLEX PUMP MT.                     |
| 17   | 23235300 | 1         | HEX NIPPLE 1/2"-13/16"                           |
| 18   | 61038400 | 1         | BRACKET FLEX PUMP MOUNT NCM                      |
| 19   | 72363900 | 1         | PUMP 463/10-MOD-2-540                            |
| 20   | 78571100 | 1         | HOSE HY X 1/2" X 248" STR+ELB                    |



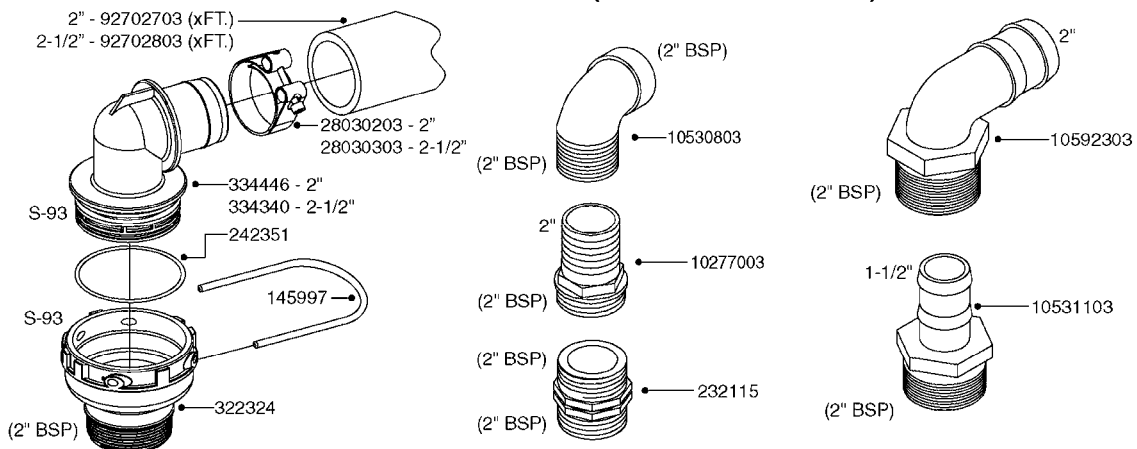
**SUCTION SIDE OF PUMP (WITH 1-1/2" SUCTION PORT)**



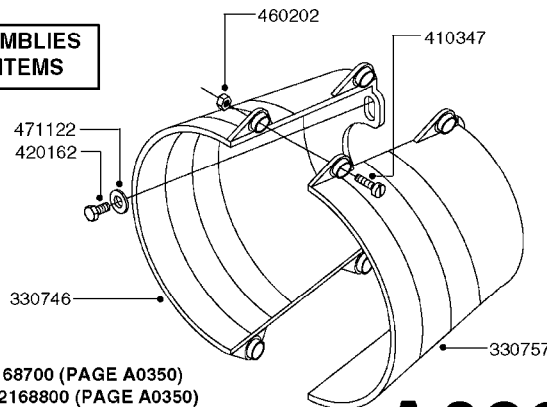
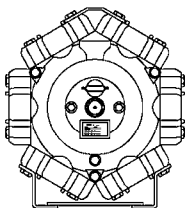
**PRESSURE SIDE OF PUMP**



**SUCTION SIDE OF PUMP (WITH 2" SUCTION PORT)**



**COMPLETE ASSEMBLIES  
WHOLEGOODS ITEMS**



- 821585 - 463/5.5 W/THROUGH SHAFT (1000 RPM)
- 821587 - 463/10 W/THROUGH SHAFT (540 RPM)
- 82169400 - 464/6.5 (1000 RPM H.C. INLINE PORTS)
- 72293300 - 463/6.5 W/THROUGH SHAFT (1000 RPM)
- 463/12 (540 RPM H.C. OFFSET PORTS) REPLACED BY 82168700 (PAGE A0350)
- 463/6.5 (1000 RPM H.C. OFFSET PORTS) REPLACED BY 82168800 (PAGE A0350)

**A0390**



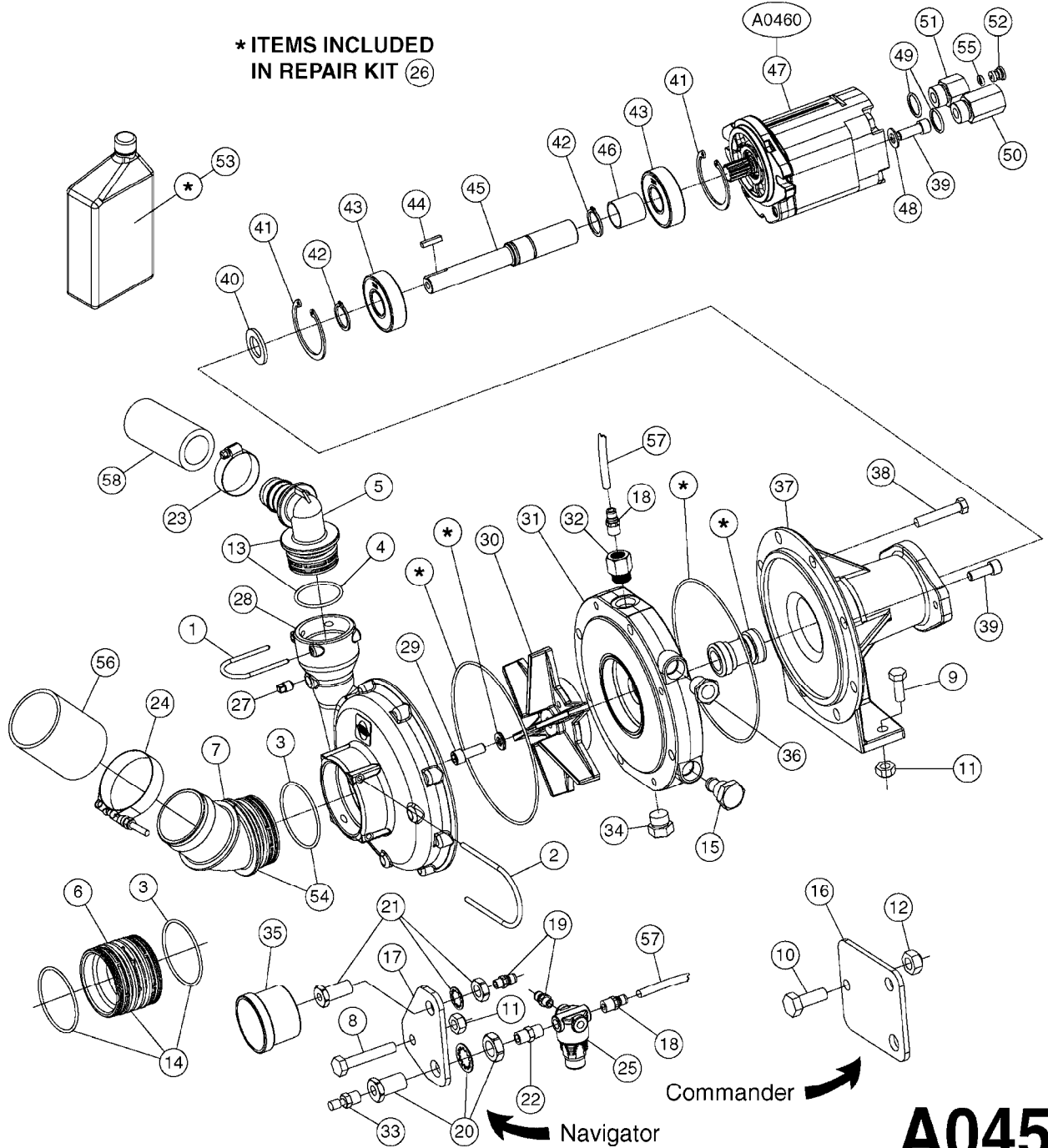
PUMP - 460/462/463 FITTINGS  
A0390-HIN, 01:01:16

Page 1  
Date 16.03.2016 13:54

| parts-n° | order qty | description                    |
|----------|-----------|--------------------------------|
| 145997   | 1         | FITT.DK S-93 FORK              |
| 232115   | 1         | FITT HEX NIPPLE 2'-2' BSP      |
| 241441   | 1         | O-RING D29.3X3                 |
| 242020   | 1         | O-RING 39.2 X 3 VITON          |
| 242351   | 1         | O-RING D69.5X3.0 VITON F.S-93  |
| 242353   | 1         | O-RING D44.2X3.0 VITON F.S-67  |
| 320821   | 1         | FITT.DK NUT 1-1/2" BSP         |
| 322066   | 1         | FITT.DK S-56 NUT               |
| 322322   | 1         | FITT.DK S-67 X 1-1/4"BSP MALE  |
| 322323   | 1         | FITT.DK S-93 X 1-1/2"BSP MALE  |
| 322324   | 1         | FITT.DK S-93 X 2"BSP MALE      |
| 330746   | 1         | GUARD PTO LOWER PART SHORT     |
| 330757   | 1         | GUARD PTO UPPER PART SHORT     |
| 333292   | 1         | FITT.DK HB 1"O'RING F.1-1/2"   |
| 334099   | 1         | FITT.DK S-61 ELB.1-1/2"110 DEG |
| 334150   | 1         | FITT.DK HB 1-1/4" 110 F.1-1/2" |
| 334244   | 1         | FITT.DK S-67 ELB.1-1/4"        |
| 334340   | 1         | FITT.DK S-93 ELBOW 2.5"        |
| 334446   | 1         | FITT.DK S-93 ELB.2" PVC        |
| 334647   | 1         | FITT.DK S93 ELB 1-1/2" 90 PVC  |
| 390231   | 1         | FITT.DK NIPPLE 1-1/2 X S56     |
| 390232   | 1         | FITT.DK HN 1-1/2' X 1-1/4' BSP |
| 410347   | 1         | SCREW M6X20 8.8                |
| 420162   | 1         | BOLT HEX 8.8 DEL 3/8"x15MM     |
| 460202   | 1         | NUT HEX M6                     |
| 461217   | 1         | NUT HEX M5 LOCK                |
| 471122   | 1         | WASHER, M10, Ø20/10.5X 2.0, SS |
| 821585   | 1         | PUMP 463/5.5 THRGH SHAFT 1000R |
| 821587   | 1         | PUMP 463/10 THROUGH SHAFT TWNF |
| 10277003 | 1         | FITT.PO.HB 2.00X2.00 MCPHEE    |
| 10530803 | 1         | FITT.PO.SE 2.00X2.00 45 DEG.   |
| 10531103 | 1         | FITT.PO.HB 2.00"NPT X 1.50"HOS |
| 10592303 | 1         | FITT.PO.HB 2.00X 2.00BSP 90DEG |
| 14012200 | 1         | FITT.DK S-67 FORK W/M5 THREADS |
| 28030103 | 1         | CLAMP HOSE GEAR P5/4-S1.5"6724 |
| 28030203 | 1         | CLAMP HOSE T-BOLT S2" 235-67   |
| 28030303 | 1         | CLAMP HOSE T-BOLT S2.5" 235-76 |
| 72293300 | 1         | PUMP 463/6.5 MED-2-1000-GG     |
| 82168700 | 1         | PUMP 464/12/540 OFFSET PORTS   |
| 82168800 | 1         | PUMP 464/6.5/1000 OFFSET PORTS |
| 82169400 | 1         | PUMP 464-6.5-STD-2-1000 FK     |
| 92702603 | 1         | HOSE PVC SUCT GRAY 1-1/2"      |
| 92702703 | 1         | HOSE PVC SUCT GRAY 2"          |
| 92702803 | 1         | HOSE PVC SUCT GRAY 2.5"        |
| 92734403 | 1         | HOSE R X5/4" X200PSI WP X0012" |



\* ITEMS INCLUDED  
IN REPAIR KIT (26)



**A0450**



PUMP - 650 ACE CENTRIFUGAL  
A0450-HIN, 01:01:16

Page

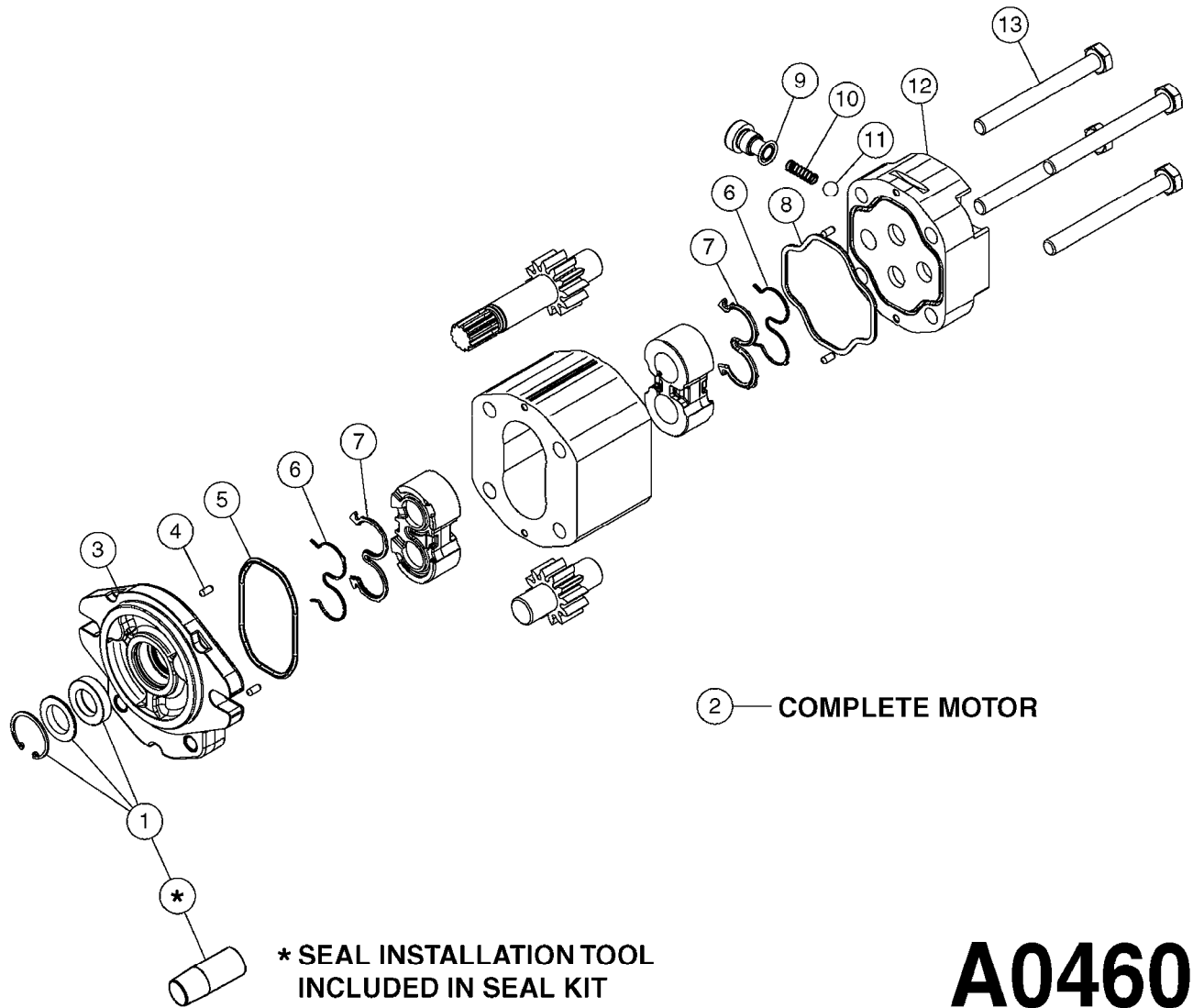
1

Date

16.03.2016 13:54

| Pos. | parts-n° | order qty | description                                              |
|------|----------|-----------|----------------------------------------------------------|
| 1    | 145996   | 1         | FITT.DK S-67 FORK                                        |
| 2    | 145997   | 1         | FITT.DK S-93 FORK                                        |
| 3    | 242351   | 1         | O-RING D69.5X3.0 VITON F.S-93                            |
| 4    | 242353   | 1         | O-RING D44.2X3.0 VITON F.S-67                            |
| 5    | 334244   | 1         | FITT.DK S-67 ELB.1-1/4"                                  |
| 6    | 334572   | 1         | FITT.DK S-93 ADAPTOR MALE MALE                           |
| 7    | 334883   | 1         | FITT.DK S-93 ELB.2-1/2"45D PVC                           |
| 8    | 420906   | 1         | BOLT HEX 8.8 DEL M10X60                                  |
| 9    | 421002   | 1         | BOLT HEX 8.8 DEL M10X30 FT DIN933                        |
| 10   | 430286   | 1         | BOLT HEX 8.8 DEL M12X30 FT                               |
| 11   | 460423   | 1         | NUT HEX M10X1.5 LOCK                                     |
| 12   | 460703   | 1         | NUT HEX M12X1.75 LOCK DIN985                             |
| 13   | 726573   | 1         | FITT. S67 5/4" 90° W/O-RING                              |
| 14   | 728525   | 1         | FITT. S93 CONNECTOR W/O-RINGS                            |
| 15   | 782131   | 1         | BLIND PLUG F.3/4" CARTR.VALVE                            |
| 16   | 16162303 | 1         | BRKT, ACE 650, GAUGE<br>GAUGE BRACKET FOR COMMANDER      |
| 17   | 16162703 | 1         | BRKT, ACE 650, NAV. GAUGE<br>GAUGE BRACKET FOR NAVIGATOR |
| 18   | 23003703 | 1         | FITT 1/4 NPTF-1/4 PTC                                    |
| 19   | 23003803 | 1         | FITT 1/8 NPTF-1/4 PTC                                    |
| 20   | 23003903 | 1         | FITT 1/4 THRU-WALL COUP,3/4-16                           |
| 21   | 23004003 | 1         | FITT 1/8 THRU-WALL COUP,5/8-18                           |
| 22   | 23004203 | 1         | FITT 1/4" NPTF-1/4" NPTF UNION                           |
| 23   | 28030103 | 1         | CLAMP HOSE GEAR P5/4-S1.5"6724                           |
| 24   | 28030303 | 1         | CLAMP HOSE T-BOLT S2.5" 235-76                           |
| 25   | 28065303 | 1         | REGULATOR 1/4", 30PSI, PARKER                            |
| 26   | 28066503 | 1         | PUMP REPAIR KIT ACE 650<br>INCLUDES 1 QT. BARRIER FLUID  |
| 27   | 28068303 | 1         | PLUG 1/8" NPT SS                                         |
| 28   | 28068403 | 1         | PUMP HOUSING FRONT ACE 650                               |
| 29   | 28068503 | 1         | CAP SCREW 3/8" X 3/4" SS                                 |
| 30   | 28068603 | 1         | IMPELLER, WETSEAL SS ACE 650                             |
| 31   | 28068703 | 1         | SEAL PLATE SS ACE 650                                    |
| 32   | 28068803 | 1         | ADAPTER #8 SAE X 1/4" FNPT                               |
| 33   | 28068903 | 1         | AIR VALVE 1/4"                                           |
| 34   | 28069003 | 1         | PLUG #8 SAE X 1/8" FNPT                                  |
| 35   | 28069203 | 1         | PRESS.GAUGE 0-60 PSI 1/8" NPT                            |
| 36   | 28069303 | 1         | SIGHT GAUGE #8 SAE W/FLOAT                               |
| 37   | 28069403 | 1         | PUMP HOUSING REAR ACE 650                                |
| 38   | 28069503 | 1         | CAP SCREW 3/8" X 2"                                      |
| 39   | 28069603 | 1         | CAP SCREW 3/8" X 1"                                      |
| 40   | 28069703 | 1         | SLINGER 1.5" X 7/8"                                      |
| 41   | 28069803 | 1         | SNAP RING INTERNAL, FRAME                                |
| 42   | 28069903 | 1         | SNAP RING EXTERNAL, SHAFT                                |
| 43   | 28070003 | 1         | BEARING F.ACE 650 PUMP                                   |
| 44   | 28070103 | 1         | KEY 0.188 X 0.188 X 0.875                                |
| 45   | 28070203 | 1         | SHAFT 11T FEMALE SPLINE SS                               |
| 46   | 28070303 | 1         | SPACER, SHAFT ACE 650                                    |
| 47   | 28070403 | 1         | HYDRAULIC MOTOR ACE 650                                  |
| 48   | 28070503 | 1         | WASHER 3/8" SS                                           |
| 49   | 28070603 | 1         | O-RING #10 SAE                                           |
| 50   | 28070703 | 1         | REVERSE CHECK ASSEMBLY #10 SAE                           |
| 51   | 28070803 | 1         | BODY F.RESTRICTOR, #10 SAE                               |
| 52   | 28070903 | 1         | RESTRICTOR                                               |
| 53   | 29004303 | 1         | ACE 650, BARRIER FLUID 32oz                              |
| 54   | 72072900 | 1         | FITT.S93 2-1/2" 45°PVC W/ORING                           |
| 55   | 78601603 | 1         | O-RING F. RESTRIC ACE HYD PUMP                           |
| 56   | 92702803 | 1         | HOSE PVC SUCT GRAY 2.5"                                  |
| 57   | 92703303 | 1         | HOSE LLDPE .25"X.17"X12" BLACK                           |
| 58   | 92734403 | 1         | HOSE R X5/4" X200PSI WP X0012"                           |





# A0460

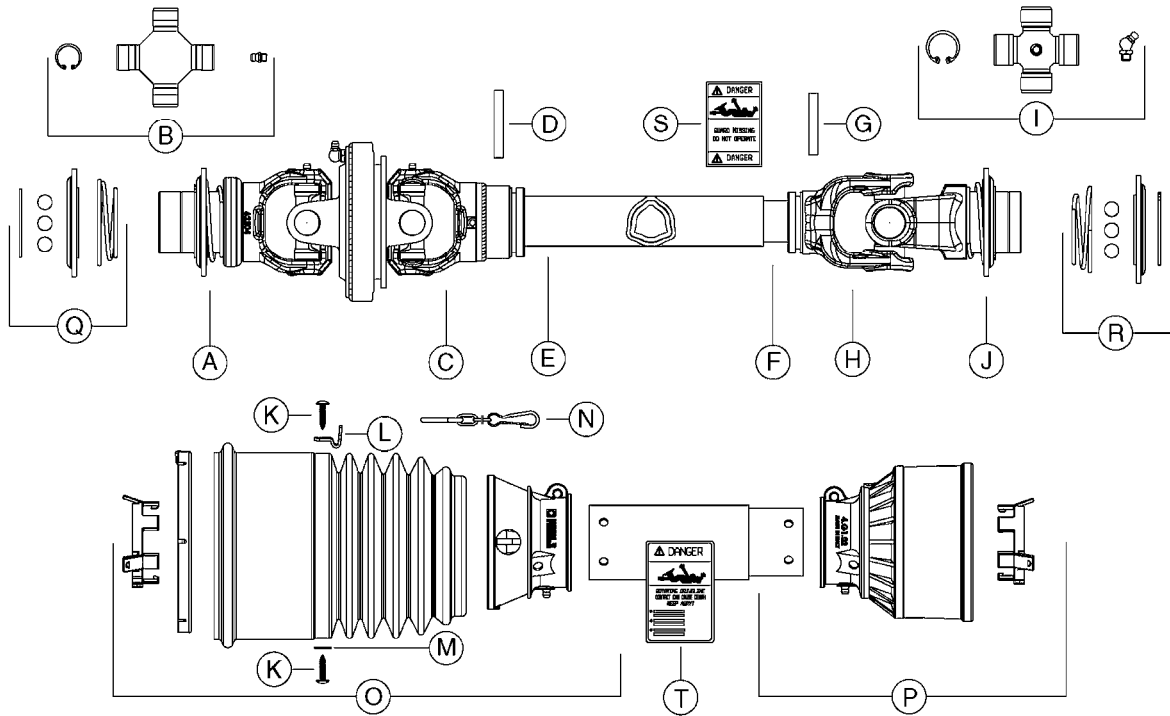


PUMP HYD.MOTOR ACE 650  
A0460-HIN, 01:01:16

Page 1

Date 16.03.2016 13:54

| Pos. | parts-n° | order qty | description                    |
|------|----------|-----------|--------------------------------|
| 1    | 28066603 | 1         | MOTOR REPAIR KIT ACE 650       |
| 2    | 28070403 | 1         | HYDRAULIC MOTOR ACE 650        |
| 3    | 28071003 | 1         | DRIVE PLATE, FLANGE, ACE MOTOR |
| 4    | 28071103 | 1         | PIN, MOTOR ASSEMBLY            |
| 5    | 28071203 | 1         | HOUSING SEAL, FRONT EXTERNAL   |
| 6    | 28071303 | 1         | ANTI-EXTRUSION SEAL            |
| 7    | 28071403 | 1         | COMPENSATION SEAL              |
| 8    | 28071503 | 1         | HOUSING SEAL, REAR EXTERNAL    |
| 9    | 28071603 | 1         | O-RING, COASTING CHECK CAP     |
| 10   | 28071703 | 1         | SPRING, COASTING CHECK         |
| 11   | 28071803 | 1         | BALL, COASTING CHECK           |
| 12   | 28071903 | 1         | END PLATE W.#10 SAE END PORTS  |
| 13   | 28072003 | 1         | HEX CAP SCREW, MOTOR ASSEMBLY  |



**COMPLETE ASSEMBLIES  
WHOLEGOODS ITEMS**

| PTO #     | 28035003         | 28035103         |
|-----------|------------------|------------------|
| TRACTOR   | 1-3/8" 21 SPLINE | 1-3/4" 20 SPLINE |
| IMPLEMENT | 1-3/8" 21 SPLINE | 1-3/8" 21 SPLINE |
| LENGTH    | 1210/1890        | 1210/1890        |
| A         | 28040203         | 28041303         |
| B         | 28040303         | 28040303         |
| C         | 28040403         | 28040403         |
| D         | 28009803         | 28009803         |
| E         | 28009003         | 28009003         |
| F         | 28009103         | 28009103         |
| G         | 28009903         | 28009903         |
| H         | 28010103         | 28010103         |
| I         | 28040503         | 28009403         |
| J         | 28040603         | 28027803         |
| K         | 28040903         | 28040903         |
| L         | 28041703         | 28041703         |
| M         | 28041603         | 28041603         |
| N         | 28040703         | 28040703         |
| O         | 28041103         | 28041103         |
| P         | 28041203         | 28041503         |
| Q         | 28040803         | 28041403         |
| R         | 28041003         | XXXXXXXX         |
| S         | 28041803         | 28041803         |
| T         | 28041903         | 28041903         |

**A0560**

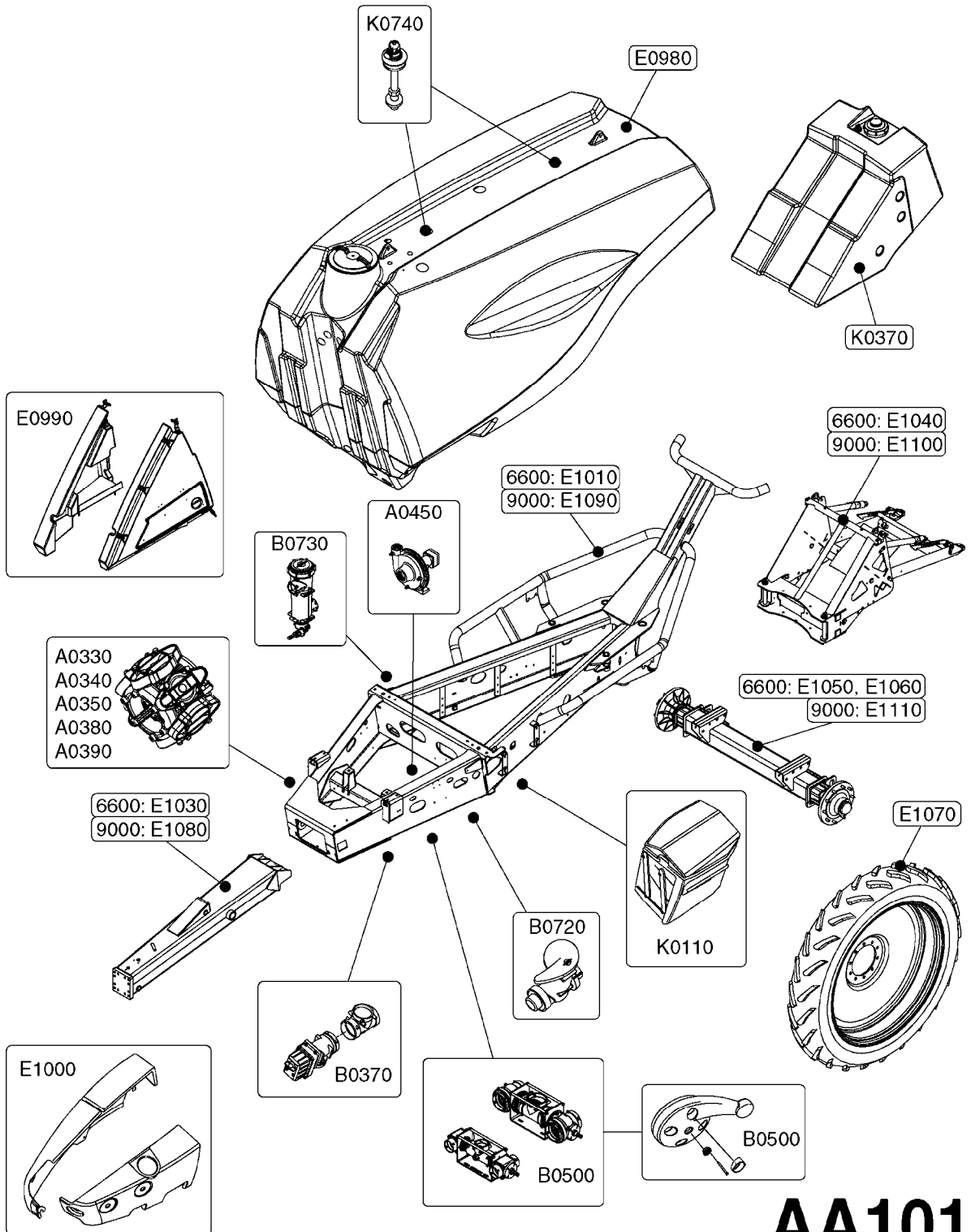


C.V.PTO-BLACK TRIANG. (POST'05)  
A0560-HIN, 01:01:16

Page 1

Date 16.03.2016 13:54

| parts-n° | order qty | description                    |
|----------|-----------|--------------------------------|
| 28009003 | 1         | PTO TUBE OUTER F.CV 1060MM     |
| 28009103 | 1         | PTO TUBE INNER F.CV 1060MM     |
| 28009403 | 1         | UNIV. JOINT 27x74.6mm          |
| 28009803 | 1         | PTO PIN TUBE RETAINER OUTER    |
| 28009903 | 1         | PTO TUBE RETAINER INNER        |
| 28010103 | 1         | PTO YOKE F.INNER TUBE CV PTO   |
| 28027803 | 1         | PTO YOKE 1-3/8X21SPL BALL LOCK |
| 28035003 | 1         | PTO 1-3/8/21X1-3/8/21X1260 CV  |
| 28035103 | 1         | PTO 1-3/4/20X1-3/8/21X1260 CV  |
| 28040203 | 1         | PTO YOKE 1-3/8X21SPL SLIP F.CV |
| 28040303 | 1         | UNIV. JOINT 22x86mm CV BLK.    |
| 28040403 | 1         | PTO YOKE INNER F.CV PTO SHAFT  |
| 28040503 | 1         | UNIV. JOINT 27x74.6mm          |
| 28040603 | 1         | PTO YOKE 1-3/8X21SPL BLACK     |
| 28040703 | 1         | SAFETY CHAIN F.CV BLACK PTO    |
| 28040803 | 1         | PTO REPAIR KIT F.PUSH YOKE CV  |
| 28040903 | 1         | SELF TAPPING SHIELDING SCREW   |
| 28041003 | 1         | PTO REPAIR KIT F.PUSH YOKE     |
| 28041103 | 1         | PTO HALF SAFETY SHIELD BLACK   |
| 28041203 | 1         | PTO HALF SAFETY SHIELD BLACK   |
| 28041303 | 1         | PTO YOKE 1-3/4X20SPL SLIP F.CV |
| 28041403 | 1         | PTO REPAIR KIT F.PUSH YOKE CV  |
| 28041503 | 1         | PTO HALF SAFETY SHIELD BLACK   |
| 28041603 | 1         | WASHER F.SHIELDING SCREW BLACK |
| 28041703 | 1         | ANCHOR F.RETAINING CHAIN BLACK |
| 28041803 | 1         | DECAL DANGER GUARD MISSING     |
| 28041903 | 1         | DECAL DANGER ROT.DRIVELINE     |



**AA101**

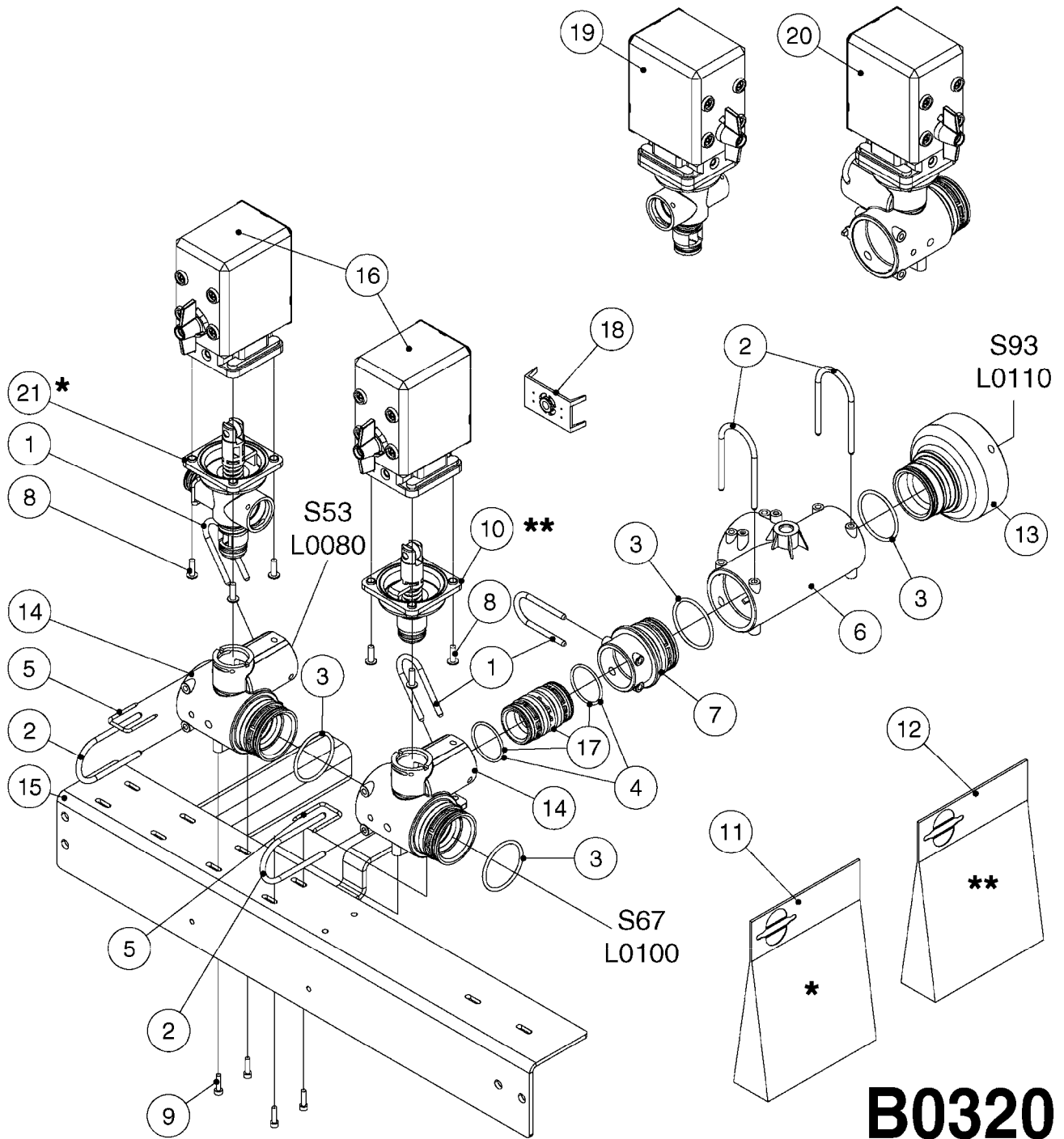


COMMANDER 6600/9000 OVERVIEW  
AA101-HIN, 01:01:16

Page 1

Date 16.03.2016 13:54

| parts-n° | order qty | description |
|----------|-----------|-------------|
|          |           |             |





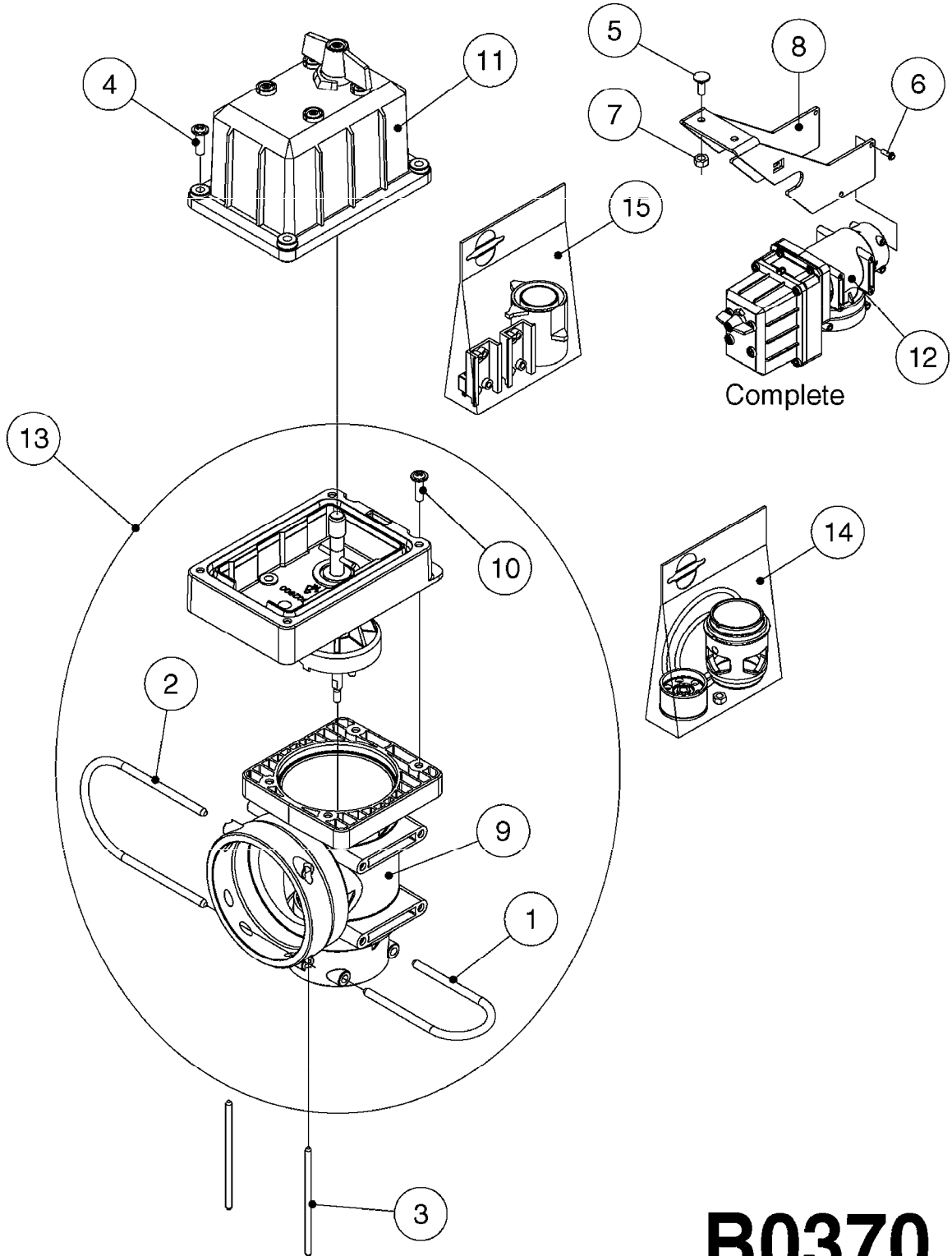
EC BOOM VALVES NCM  
B0320-HIN, 01:01:16

Page 1

Date 16.03.2016 13:54

| Pos. | parts-n° | order qty | description                    |
|------|----------|-----------|--------------------------------|
| 1    | 145995   | 1         | FITT.DK S-53 FORK              |
| 2    | 145996   | 1         | FITT.DK S-67 FORK              |
| 3    | 242353   | 1         | O-RING D44.2X3.0 VITON F.S-67  |
| 4    | 242354   | 1         | O-RING D32.2X3.0 VITON F.S-53  |
| 5    | 270211   | 1         | FITT.DK S25 FORK L=37.5        |
| 6    | 322224   | 1         | FITT.DK S-67 TEE               |
| 7    | 334564   | 1         | FITT.DK S-67 TO S-53 ADAPTER   |
| 8    | 440675   | 1         | SCREW F. PLASTIC 5X16 SS       |
| 9    | 450902   | 1         | BOLT ALLEN HEAD M4 X 16MM      |
| 10   | 725257   | 1         | SPINDLE SECT. F/EC DISTRIBUTOR |
| 11   | 741822   | 1         | SEAL KIT - 1 SECTION (05)      |
| 12   | 755726   | 1         | O-RING KIT F.EC/ESC SEC.VALVE  |
| 13   | 33500700 | 1         | FITT.DK ADAPTER S-93F S67M     |
| 14   | 33502400 | 1         | DISTRIBUTION HOUSING EFC       |
| 15   | 61032800 | 1         | BRACKET F. EFC SEC.VALVES <4>6 |
| 16   | 72048000 | 1         | MOTOR, DISTRIBUTION 1:300      |
| 17   | 72114300 | 1         | PIEZA CONEXION S53/S53 C/JUNTA |
| 18   | 72137200 | 1         | MCROSWCH ASSY F.BOOM VLV 300:1 |
| 19   | 72233700 | 1         | SECTION VALVE, EFC, 1:300      |
| 20   | 72284000 | 1         | BYPASS VALVE, EFC, 1:300       |
| 21   | 72591700 | 1         | SPINDLE SECT.W/O CONS.PRESSURE |





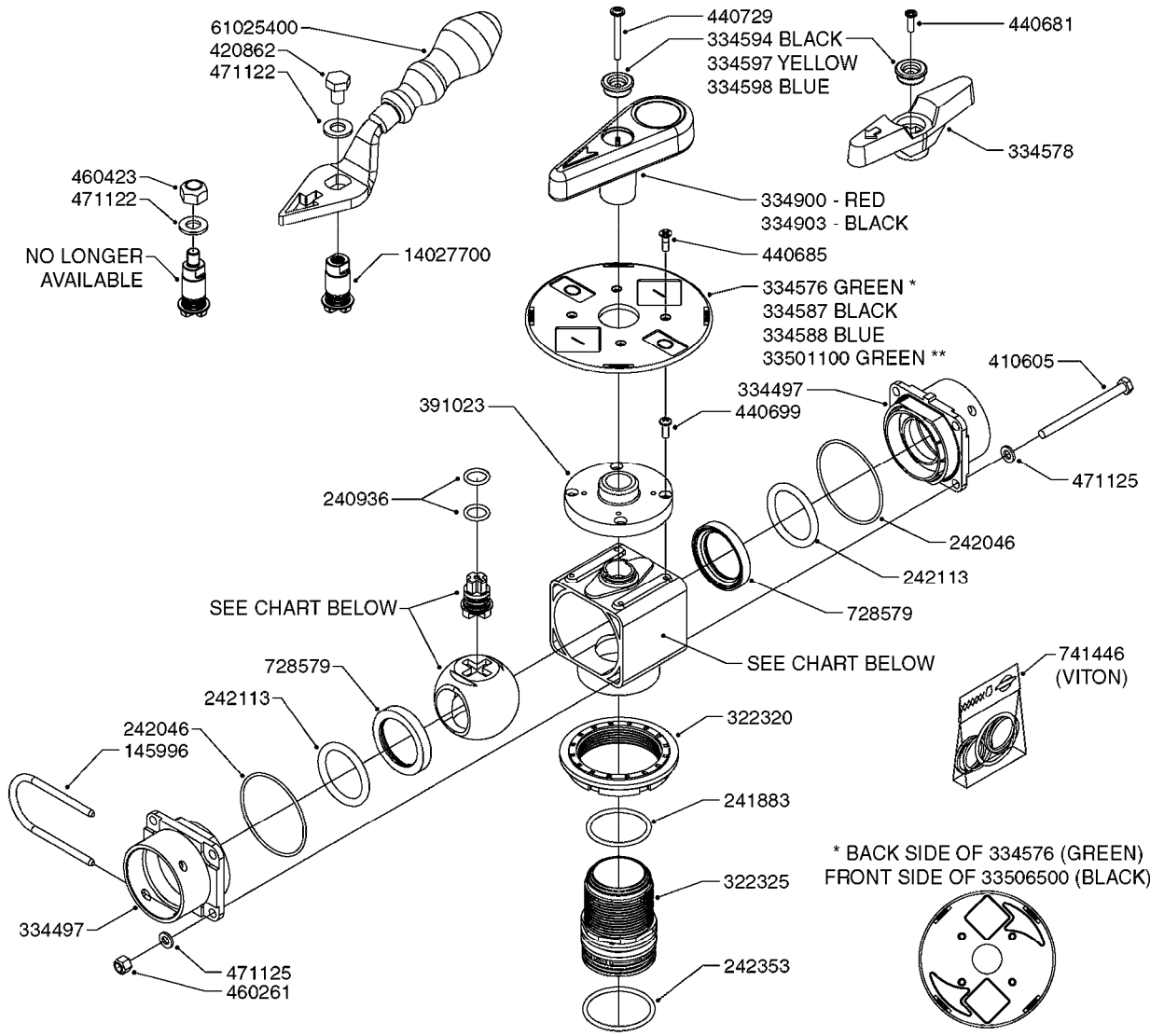
**B0370**



PRESSURE REGULATOR - S93 06  
B0370-HIN, 01:01:16

Page 1  
Date 16.03.2016 13:54

| Pos. | parts-n° | order qty | description                                                 |
|------|----------|-----------|-------------------------------------------------------------|
| 1    | 145996   | 1         | FITT.DK S-67 FORK                                           |
| 2    | 145997   | 1         | FITT.DK S-93 FORK                                           |
| 3    | 147767   | 1         | PIN 5Ø X 60 S-93 DOUBLE CLAMP                               |
| 4    | 440677   | 1         | SCREW F. PLASTIC 5X20 SS                                    |
| 5    | 440695   | 1         | BOLT CARRIAGE M8X25                                         |
| 6    | 440698   | 1         | SCREW F.PLASTIC 6X18 SS HEXHD                               |
| 7    | 460143   | 1         | NUT HEX M8 LOCK A2 DIN985                                   |
| 8    | 16244000 | 1         | BRACKET FOR REG. NAV, PAINTED<br>NAVIGATOR PLATFORM BRACKET |
| 9    | 33510800 | 1         | HOUSING F.PRESS.REG.S67/S93                                 |
| 10   | 44076200 | 1         | PT TORNILLO 50X16 WN5451 rsf t                              |
| 11   | 72374200 | 1         | MOTOR HOUS.REG.1:150 ENCODER                                |
| 12   | 72425500 | 1         | REGULATOR S67/S93 CROSS-DRILL                               |
| 12   | 72678700 | 1         | REGULATOR S67/S93 CROSS-DRILL<br>CERAMIC COMPONENTS         |
| 13   | 72481600 | 1         | BAG W. CONSOLE&SPINDLE COMPL                                |
| 14   | 72678900 | 1         | BAG W.CONE/CYL/GASKET CERAMIC<br>CERAMIC COMPONENTS         |
| 14   | 74190800 | 1         | BAG W.CONE/CYL. AND GASKET                                  |
| 15   | 74187500 | 1         | SWITCH 5A PRESS.REG REP.KIT 08                              |



|          |        |          |        |        |        |          |
|----------|--------|----------|--------|--------|--------|----------|
|          |        |          |        |        |        |          |
| 728391   | 334594 | 334576   | 390204 | 390623 | -      | 334600   |
| 728393   | 334598 | 334588   | 390238 | 390251 | -      | 334600   |
| 728945   | 334597 | -        | 390262 | 390777 | -      | 334600   |
| 729796   | 334594 | 334587   | 390204 | 390623 | -      | 334600   |
| 840062   | 334594 | 334576   | 391180 | 390623 | -      | 334600   |
| 841062   | 334594 | 334576   | 390204 | 390623 | -      | 334600   |
| 72172100 | -      | 33501100 | 391039 | 390623 | 391023 | 14027700 |
| 72172200 | -      | -        | 391039 | 390623 | -      | 334600   |
| 72283600 | 334594 | 33506500 | 391180 | 390623 | 391023 | 334600   |
| 72292500 | -      | -        | 391180 | 390623 | -      | 14027700 |
| 72538000 | -      | -        | 391039 | 390623 | 391023 | 14075700 |
| 72691600 | 334594 | 334587   | 390262 | 390623 | -      | 334600   |

**B0430**



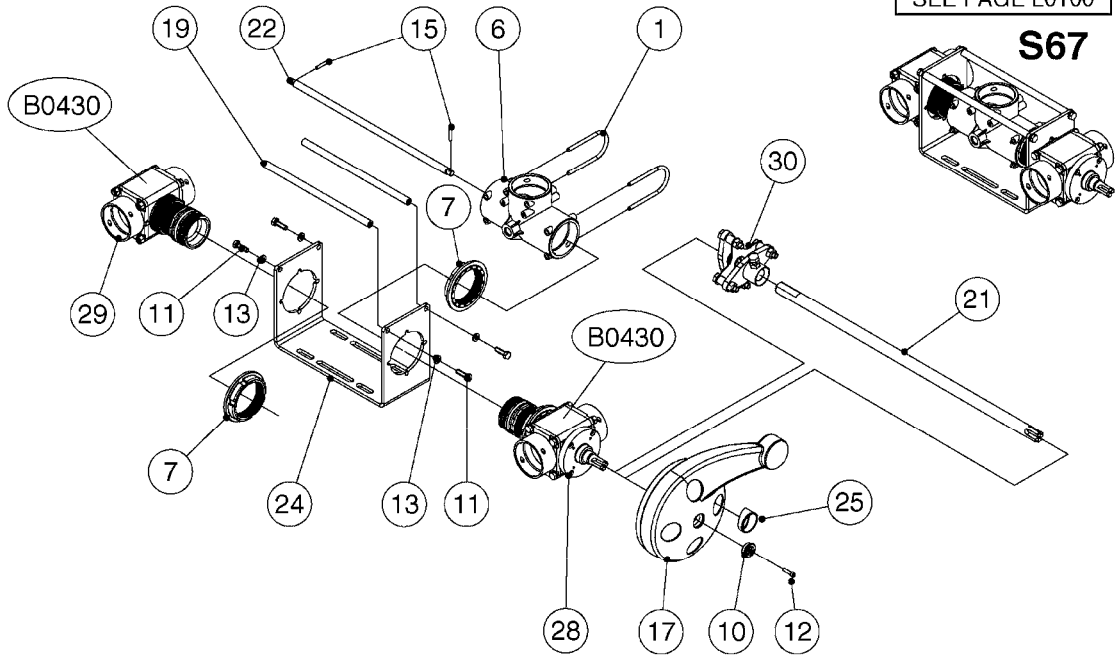
MANIFOLD - S67 VALVE  
B0430-HIN, 01:01:16

| parts-n° | order qty | description                    |
|----------|-----------|--------------------------------|
| 145996   | 1         | FITT.DK S-67 FORK              |
| 240936   | 1         | O-RING D13.3X2.4 NITRIL        |
| 241883   | 1         | O-RING D39.2X3 NITRIL 242020   |
| 242046   | 1         | O-RING D60X2                   |
| 242113   | 1         | O-RING D37.5X5.3 VITON         |
| 242353   | 1         | O-RING D44.2X3.0 VITON F.S-67  |
| 322320   | 1         | NUT F.3 WAY VALVE S56          |
| 322325   | 1         | FITT.DK S-67 X 1-1/2"BSP LONG  |
| 334497   | 1         | END COVER 3 WAY VALVE S-67     |
| 334576   | 1         | FACE PLATE F. BALL VALVE GREEN |
| 334578   | 1         | HANDLE FOR VALVE 'OLD' STYLE   |
| 334587   | 1         | FACE PLATE F.BALL VALVE BLACK  |
| 334588   | 1         | FACE PLATE F. BALL VALVE BLUE  |
| 334594   | 1         | PLUG F.VALVE HANDLE BLACK      |
| 334597   | 1         | PLUG F.VALVE HANDLE YELLOW     |
| 334598   | 1         | PLUG F.VALVE HANDLE BLUE       |
| 334600   | 1         | SPINDLE F.3 WAY VALVE          |
| 334900   | 1         | HANDLE F.3 WAY VALVE TALL '00  |
| 334903   | 1         | HANDLE S67/93 VALVE BLACK      |
| 390204   | 1         | BALL F. 3 WAY SUCTION VALVE    |
| 390238   | 1         | BALL F. 3 WAY PRESSURE VALVE   |
| 390251   | 1         | MOTOR HOUSING F. 3-WAY VALVE   |
| 390262   | 1         | BALL F. 2 WAY VALVE            |
| 390623   | 1         | HOUSING F.3 WAY VALVE          |
| 390777   | 1         | HOUSING F.BALL VALVE 3 WAY     |
| 391023   | 1         | SMART VALVE MOUNTING BRACKET   |
| 391039   | 1         | BALL F. S67 SMART VALVE        |
| 391180   | 1         | BALL F. AGITATOR S67 ARE 268   |
| 410605   | 1         | BOLT HEX 8.8 DEL M6X80         |
| 420862   | 1         | BOLT HEX 8.8 DEL M10X16 FT     |
| 440681   | 1         | SCREW F. PLASTIC 4MM X 14LG SS |
| 440685   | 1         | SCREW F.PLASTIC 4X14 SS C-SUNK |
| 440699   | 1         | SCREW F. PLASTIC 4MMM X12LG SS |
| 440729   | 1         | SCREW F. PLASTIC 4MM X40LG SS  |
| 460261   | 1         | NUT HEX M6X1 LOCK A2 DIN985    |
| 460423   | 1         | NUT HEX M10X1.5 LOCK           |
| 471122   | 1         | WASHER, M10, Ø20/10.5X 2.0, SS |
| 471125   | 1         | WASHER, M6, Ø12/ 6.4X 1.6, SS  |
| 728391   | 1         | VALVE S67 PRESSURE MANIFOLD    |
| 728393   | 1         | VALVE 3 WAY F.AGITAT.SHUTOFF   |
| 728579   | 1         | SEAL F BALL                    |
| 728945   | 1         | VALVE 2-WAY YELLOW W.S-67 ENDS |
| 729796   | 1         | VALVE S-67 MANUAL D33 J-D      |
| 741446   | 1         | REPAIR KIT F.S67 VALVE - VITON |
| 840062   | 1         | VALVE S67 PRESSURE AGITATION   |
| 841062   | 1         | VALVE KIT S67 PRESS. MANIFOLD  |
| 14027700 | 1         | SPINDLE F.SMART VALVE S67 L=36 |
| 14075700 | 1         | SPINDLE F.SMART VALVE S67 L=81 |
| 33501100 | 1         | FACE PLATE F.SMART VALVE GREEN |
| 33506500 | 1         | FACE PLATE F.BALL VALVE BLACK  |
| 61025400 | 1         | HANDLE SMART VALVE             |
| 72172100 | 1         | VALVE S67 "V1" SMART VALVE     |
| 72172200 | 1         | VALVE S67 "V2" SMART VALVE     |
| 72283600 | 1         | VALVE S67 AGITATION NCM        |
| 72292500 | 1         | VALVE S67 SMART VALVE NEW NAV  |
| 72538000 | 1         | VALVE S67, LONG SPINDLE        |
| 72691600 | 1         | VALVE, S67, 2-WAY F. FILLER    |



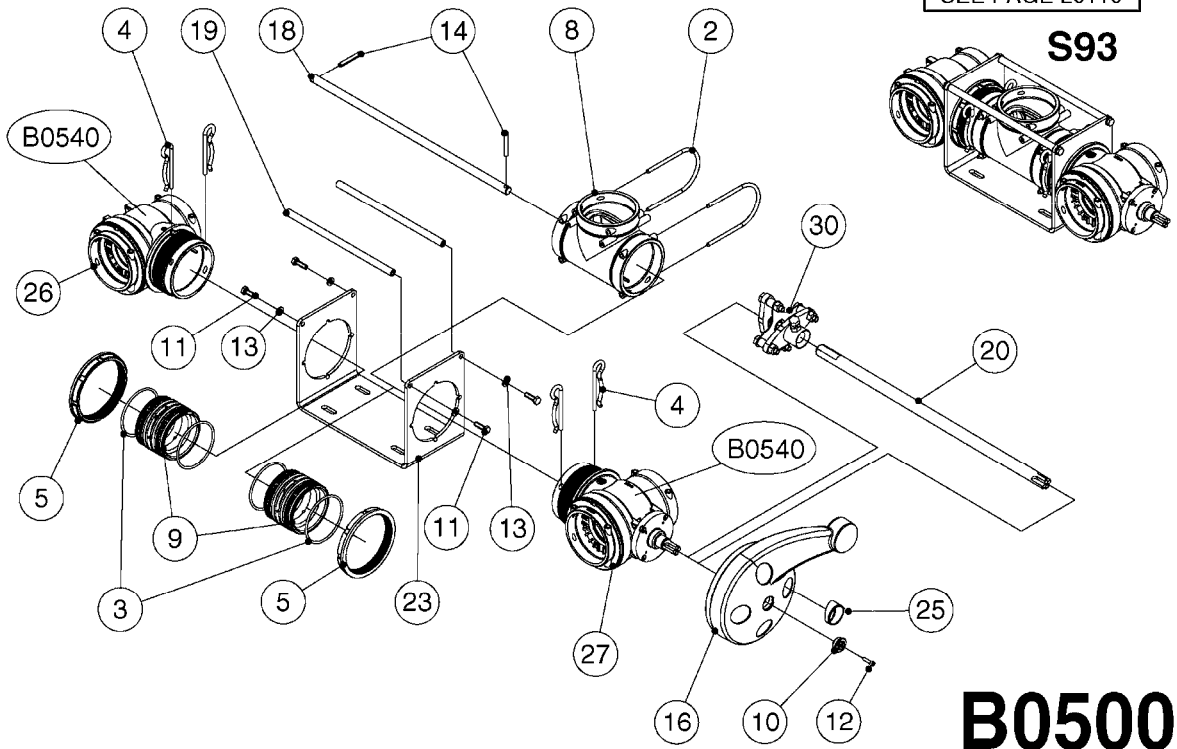
FOR S67 FITTINGS  
SEE PAGE L0100

**S67**



FOR S93 FITTINGS  
SEE PAGE L0110

**S93**



**B0500**

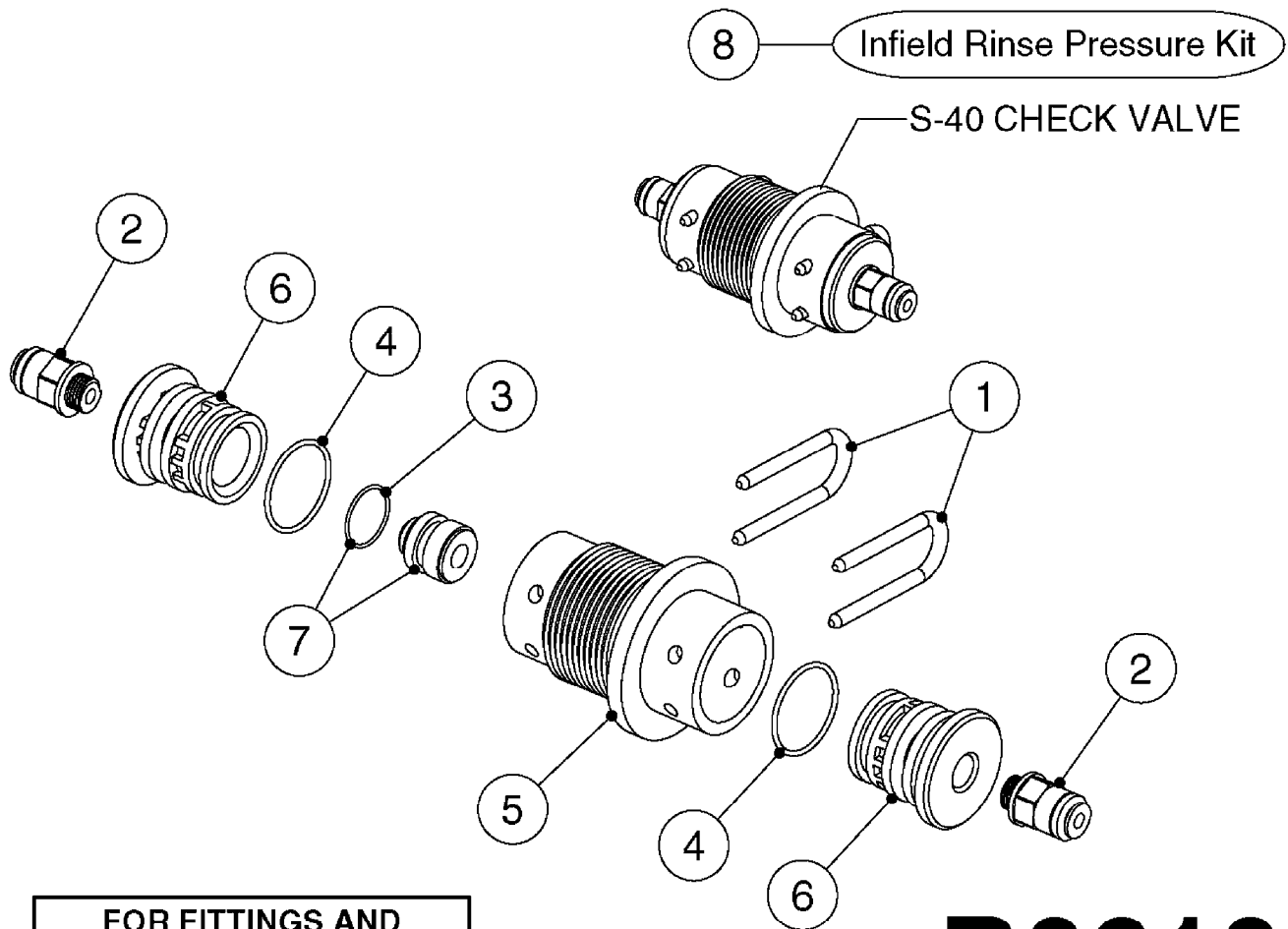


SMART VALVE S67 S93 (07)  
B0500-HIN, 01:01:16

Page 1

Date 16.03.2016 13:54

| Pos. | parts-n° | order qty | description                              |
|------|----------|-----------|------------------------------------------|
| 1    | 145996   | 1         | FITT.DK S-67 FORK                        |
| 2    | 145997   | 1         | FITT.DK S-93 FORK                        |
| 3    | 242351   | 1         | O-RING D69.5X3.0 VITON F.S-93            |
| 4    | 285791   | 1         | HAIR PIN S93/S67                         |
| 5    | 322109   | 1         | FITT.DK S-93 BULKHEAD NUT                |
| 6    | 322224   | 1         | FITT.DK S-67 TEE                         |
| 7    | 322320   | 1         | NUT F.3 WAY VALVE S56                    |
| 8    | 334545   | 1         | FITT.DK S-93 TEE                         |
| 9    | 334572   | 1         | FITT.DK S-93 ADAPTOR MALE MALE           |
| 10   | 334594   | 1         | PLUG F.VALVE HANDLE BLACK                |
| 11   | 410362   | 1         | BOLT HEX 8.8 SS M6X20 FT                 |
| 12   | 410922   | 1         | CYL.SKR 8.8 DEL M4X20 RST                |
| 12   | 450902   | 1         | BOLT ALLEN HEAD M4 X 16MM                |
| 13   | 471125   | 1         | WASHER, M6, Ø12/ 6.4X 1.6, SS            |
| 14   | 480733   | 1         | PIN D6 X 40                              |
| 15   | 480803   | 1         | PIN Ø4 X 25                              |
| 16   | 741844   | 1         | VALVE HANDLE ASSY. SUCTION NCM           |
| 17   | 741845   | 1         | VALVE HANDLE ASSY. PRESSUR NCM           |
| 18   | 14021500 | 1         | SPINDLE F.S93 SMART VALVE                |
| 19   | 14022700 | 1         | SPACER TUBE Ø10 L=212 SS                 |
| 20   | 14038100 | 1         | AXLE FOR SUCTION VALVE HANDLE            |
| 21   | 14038200 | 1         | AXLE FOR PRESSURE VALVE HANDLE           |
| 22   | 14068700 | 1         | SPINDLE,SMART VALVE S67 10MM             |
| 23   | 16059900 | 1         | BRACKET 2 STK S93 SMART VALVE            |
| 24   | 16082300 | 1         | BRACKET 2PCS S67 VALVE 15 BAR            |
| 25   | 33505200 | 1         | PLUG FOR SMART VALVE HANDLE              |
| 26   | 72138000 | 1         | VALVE S93 "V2" SMART VALVE               |
| 27   | 72138600 | 1         | VALVE S93 "V3" SMART VALVE               |
| 28   | 72172100 | 1         | VALVE S67 "V1" SMART VALVE               |
|      |          |           | NCM 4400/6600                            |
| 28   | 72538000 | 1         | VALVE S67, LONG SPINDLE<br>NAV 3000/4000 |
| 29   | 72172200 | 1         | VALVE S67 "V2" SMART VALVE               |
| 30   | 72283000 | 1         | AXLE JOINT F. SMARTVALVE HANDL           |



FOR FITTINGS AND  
HOSES, SEE SECTION L

# B0610



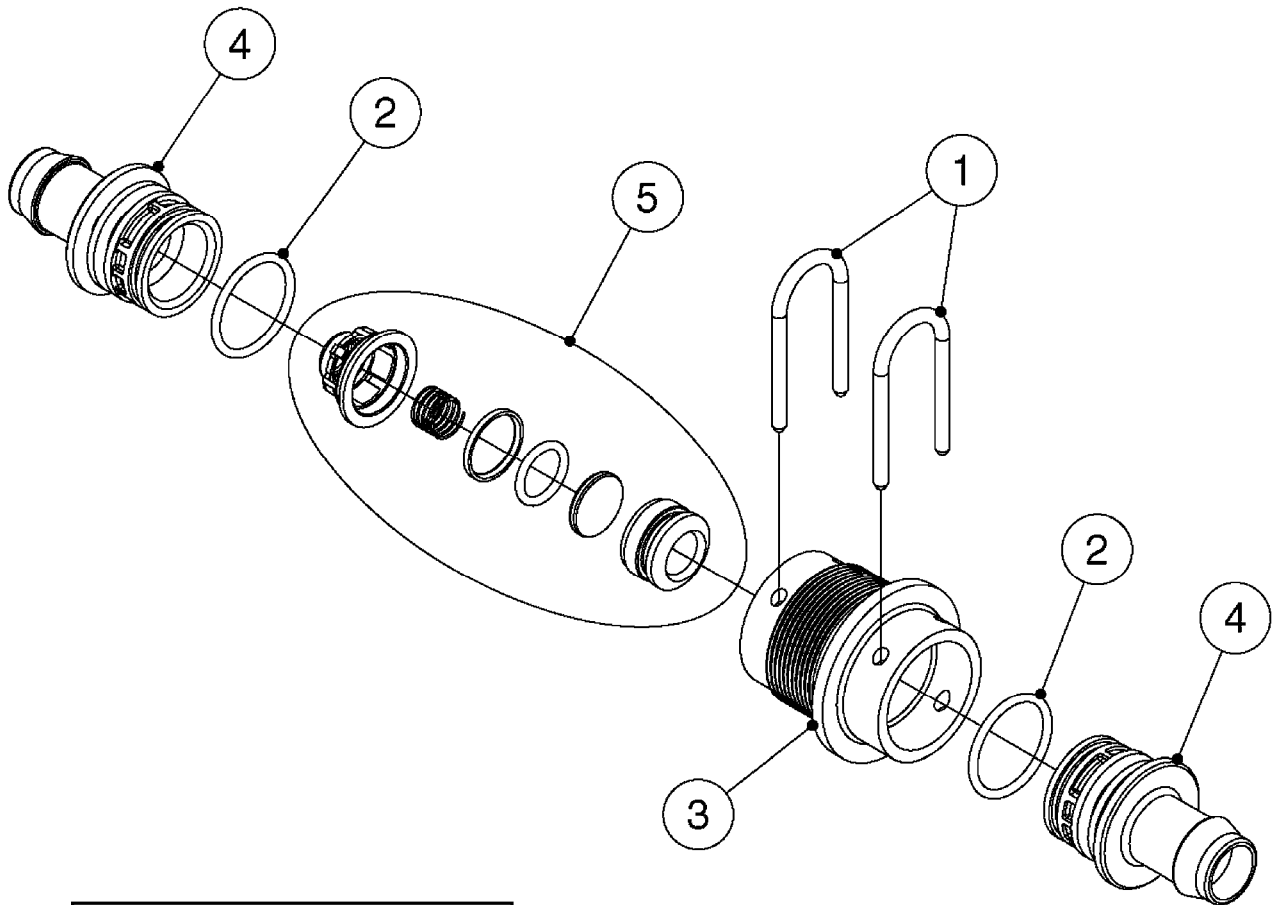
CHECK VALVES - S40  
B0610-HIN, 01:01:16

Page 1

Date 16.03.2016 13:54

| Pos. | parts-n° | order qty | description                    |
|------|----------|-----------|--------------------------------|
| 1    | 145994   | 1         | FITT.DK S-40 FORK              |
| 2    | 231346   | 1         | QUICK COUPLER 1/8"BSP X 4 MM   |
| 3    | 241905   | 1         | O-RING 12,3X2,4 VITON DKR.1,05 |
| 4    | 242355   | 1         | O-RING D19.2X3.0 VITON F.S-40  |
| 5    | 322102   | 1         | FITT.DK S-40 BULKHEAD          |
| 6    | 322133   | 1         | FITT.DK S-40 PLUG W 1/8 THREAD |
| 7    | 615522   | 1         | CHECK VALVE F.FOAM MARKER      |
| 8    | 70036203 | 1         | RINSE PRESSURE KIT             |





FOR FITTINGS AND  
HOSES, SEE SECTION L

**B0620**

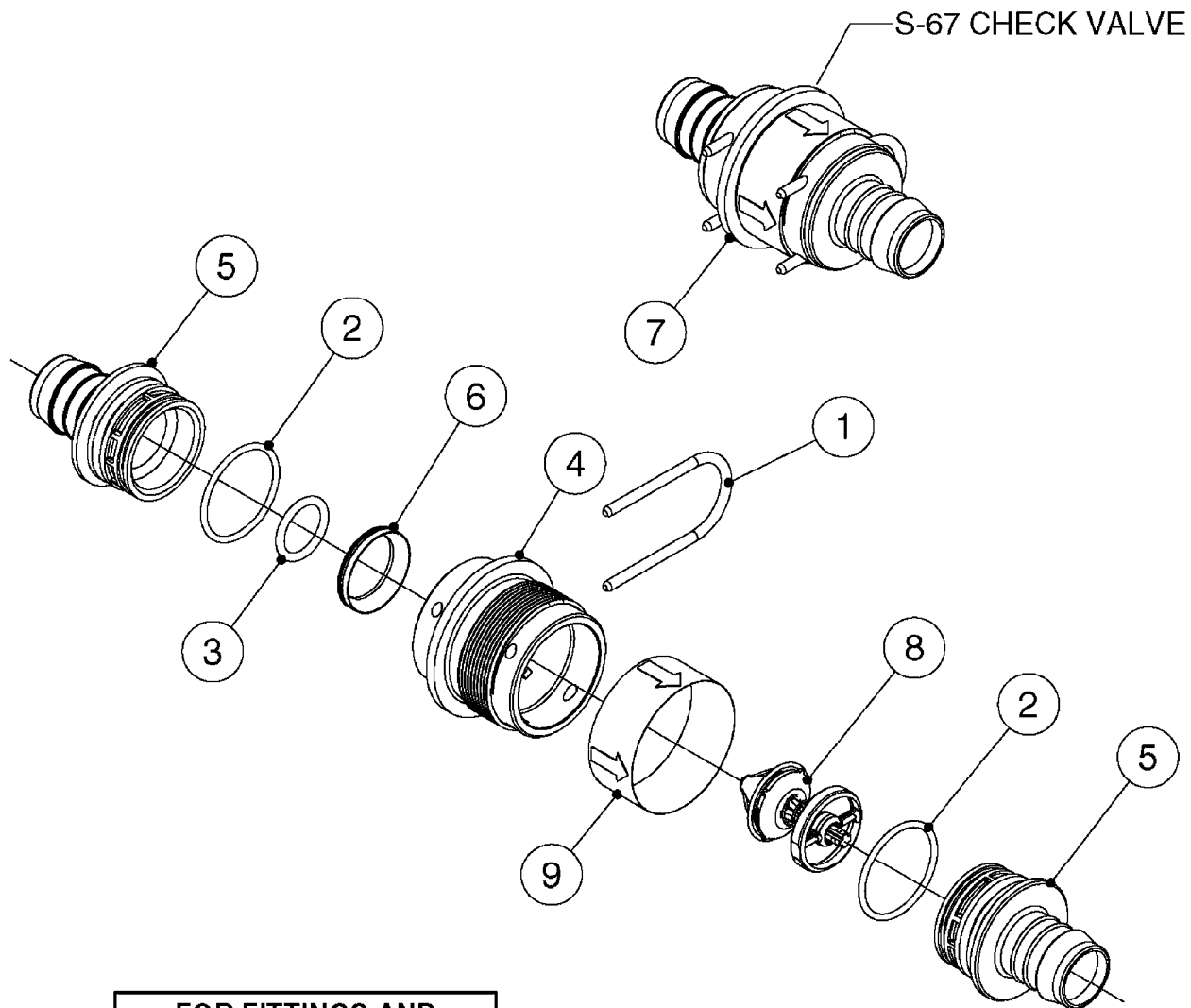


CHECK VALVES - S53  
B0620-HIN, 01:01:16

Page 1

Date 16.03.2016 13:54

| Pos. | parts-n° | order qty | description                   |
|------|----------|-----------|-------------------------------|
| 1    | 145995   | 1         | FITT.DK S-53 FORK             |
| 2    | 242354   | 1         | O-RING D32.2X3.0 VITON F.S-53 |
| 3    | 322103   | 1         | FITT.DK S-53 BULKHEAD         |
| 4    | 334230   | 1         | FITT.DK S-53 STR.1"           |
| 5    | 72132600 | 1         | CHECK VALVE SUBASSEMBLY S53   |



S-67 CHECK VALVE

FOR FITTINGS AND  
HOSES, SEE SECTION L

**B0630**

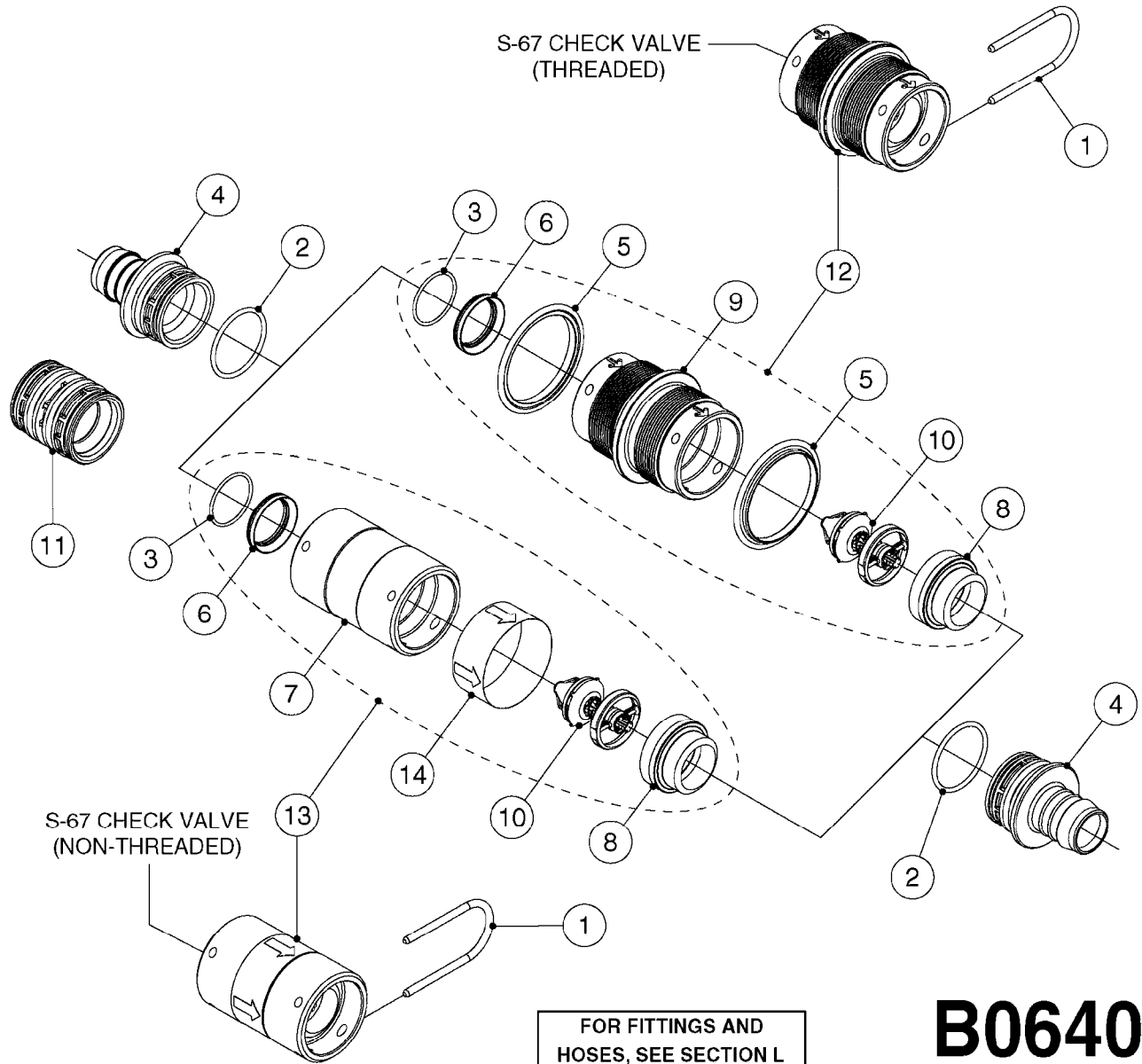


CHECK VALVES - S67  
B0630-HIN, 01:01:16

Page 1

Date 16.03.2016 13:54

| Pos. | parts-n° | order qty | description                                                                |
|------|----------|-----------|----------------------------------------------------------------------------|
| 1    | 145996   | 1         | FITT.DK S-67 FORK                                                          |
| 2    | 242353   | 1         | O-RING D44.2X3.0 VITON F.S-67                                              |
| 3    | 242504   | 1         | O-RING D35x2 NITRIL                                                        |
| 4    | 322104   | 1         | FITT.DK S-67 BULKHEAD                                                      |
| 5    | 334231   | 1         | FITT.DK S-67 STR.1'                                                        |
| 5    | 334232   | 1         | FITT.DK S-67 STR.1-1/4'                                                    |
| 6    | 14103100 | 1         | SEAT F.CHECK VALVE D40.8 2010                                              |
| 7    | 72001803 | 1         | CHCK VLV,S67, 2 X 1" HB<br>COMPLETE IN-LINE CHECK VALVE FOR 1" HOSE        |
| 7    | 72206600 | 1         | CHCK VLV,S67, 2 X 1.25" HB<br>COMPLETE IN-LINE CHECK VALVE FOR 1-1/4" HOSE |
| 8    | 72089900 | 1         | CHECK VALVE S67 SUBASMBLY.2001                                             |
| 9    | 97800500 | 1         | DECAL 230X28 BLACK ARROW                                                   |



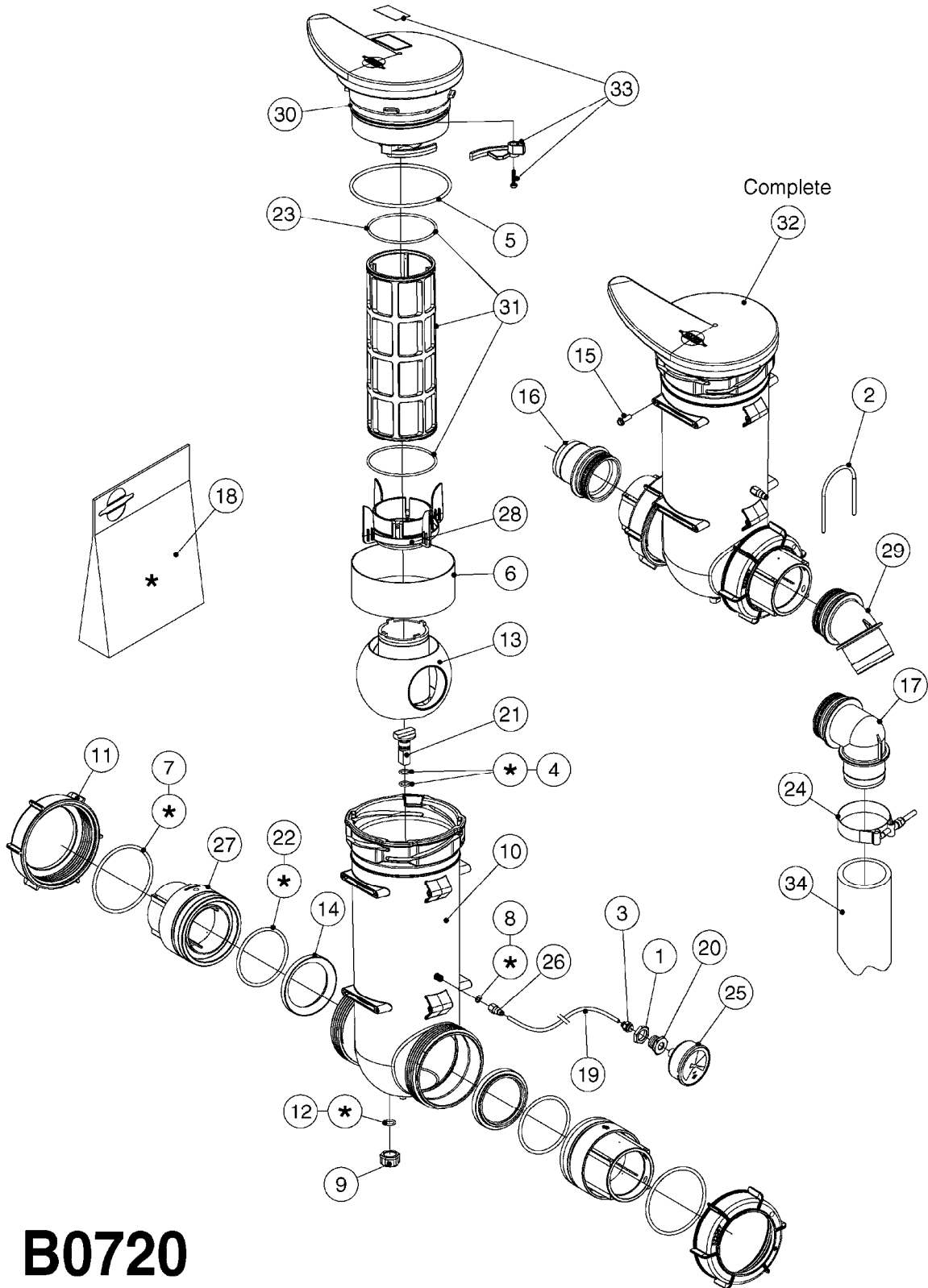


CHECK VALVES - S67 (2011)  
B0640-HIN, 01:01:16

Page 1

Date 16.03.2016 13:54

| Pos. | parts-n° | order qty | description                    |
|------|----------|-----------|--------------------------------|
| 1    | 145996   | 1         | FITT.DK S-67 FORK              |
| 2    | 242353   | 1         | O-RING D44.2X3.0 VITON F.S-67  |
| 3    | 242504   | 1         | O-RING D35x2 NITRIL            |
| 4    | 334231   | 1         | FITT.DK S-67 STR.1'            |
| 4    | 334232   | 1         | FITT.DK S-67 STR.1-1/4'        |
| 5    | 334261   | 1         | GASKET F. S-67 BULKHEAD        |
| 6    | 14103100 | 1         | SEAT F.CHECK VALVE D40.8 2010  |
| 7    | 39129600 | 1         | HOUSING S67 CHECK VALVE NO THR |
| 8    | 39129700 | 1         | BUSHING Ø50.5X29 CHECK VALVE   |
| 9    | 39130400 | 1         | HOUSING S67 CHECK VALVE THREAD |
| 10   | 72089900 | 1         | CHECK VALVE S67 SUBASMBLY.2001 |
| 11   | 72432400 | 1         | FITT.DK S-67 CONNEC W.CHK SEAT |
| 12   | 72746000 | 1         | CHECK VALVE S67 2011 THREADED  |
| 13   | 72746100 | 1         | CHECK VALVE S67 2011 NO THREAD |
| 14   | 97800500 | 1         | DECAL 230X28 BLACK ARROW       |



**B0720**



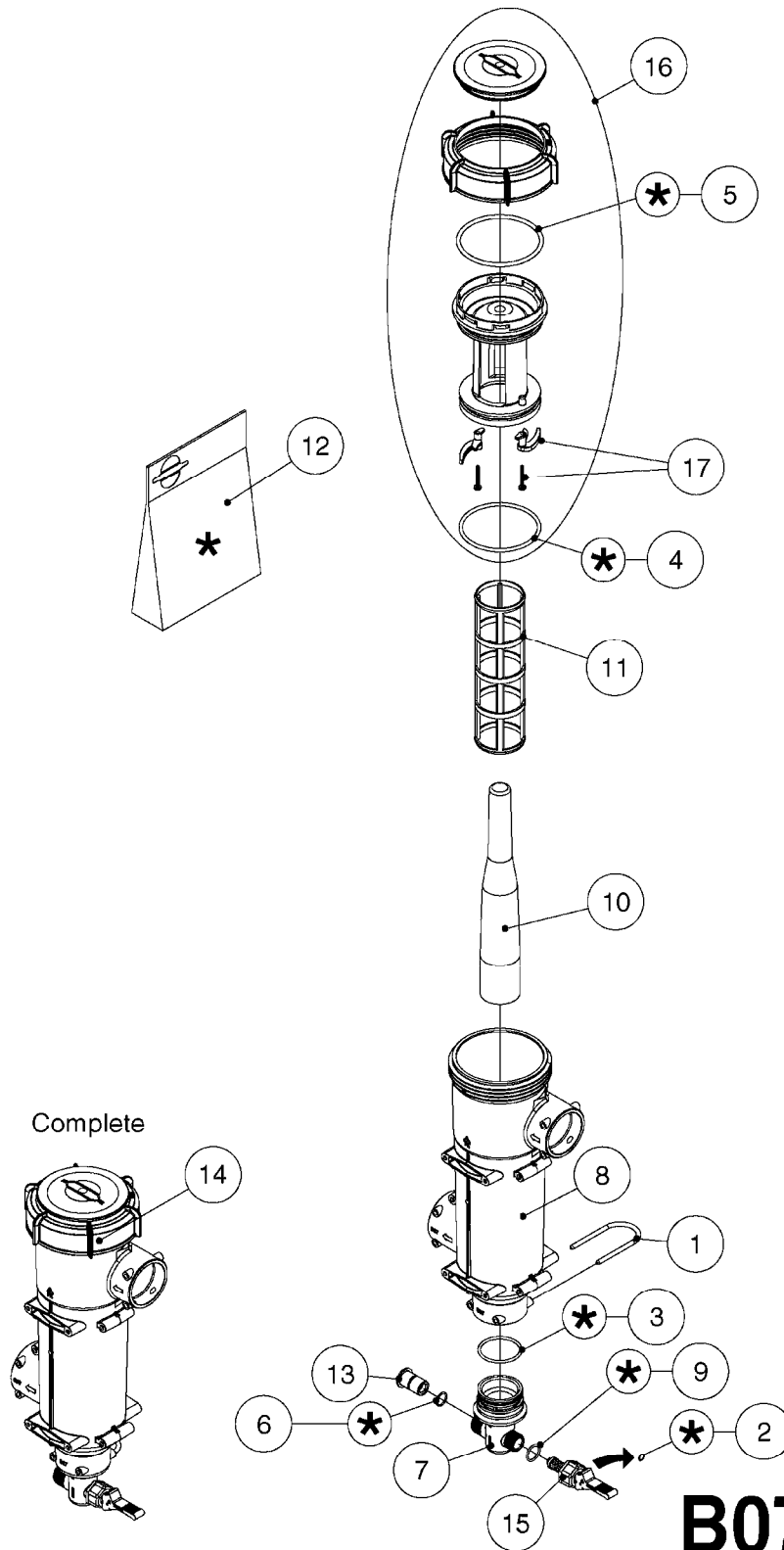
EASY CLEAN FILTER  
B0720-HIN, 01:01:16

Page 1

Date 16.03.2016 13:54

| Pos. | parts-n° | order qty | description                    |
|------|----------|-----------|--------------------------------|
| 1    | 140766   | 1         | NUT 1/2" BSP                   |
| 2    | 145997   | 1         | FITT.DK S-93 FORK              |
| 3    | 231346   | 1         | QUICK COUPLER 1/8"BSP X 4 MM   |
| 4    | 240936   | 1         | O-RING D13.3X2.4 NITRIL        |
| 5    | 242570   | 1         | O-RING D150.0 x5.0 SH70 VITON  |
| 6    | 242572   | 1         | RUBBER BELT Ø160x1.5 B=60 EPDM |
| 7    | 242573   | 1         | O-RING Ø104.14X5.33SH70 NITRIL |
| 8    | 242593   | 1         | GASKET Ø8/Ø5x1 (PA) 266N-M5X1  |
| 9    | 320047   | 1         | FITT.DK CAPNUT 1/2" BSP        |
| 10   | 322356   | 1         | EASYCLEAN FILTER HOUSING       |
| 11   | 322357   | 1         | CAP F. COUPLER EASYCLEAN FILTE |
| 12   | 330212   | 1         | O-RING D19/D14X2.4 F.1/2"NUT   |
| 13   | 391090   | 1         | BALL F. EASYCLEAN FILTER ON/OF |
| 14   | 391091   | 1         | SEAL F. BALL EASYCLEAN FILTER  |
| 15   | 440698   | 1         | SCREW F.PLASTIC 6X18 SS HEXHD  |
| 16   | 727133   | 1         | FITT. S93 2-1/2" STR. S W/O-RI |
| 17   | 727226   | 1         | FITT. S93 2-1/2" 90° S W/O-RIN |
| 18   | 741826   | 1         | SEAL KIT F. EASYCLEAN FILTER   |
| 19   | 927253   | 1         | AIR HOSE, DIAMETER 4MM         |
| 20   | 14055400 | 1         | FITT.DK REDUC 1/2"x1/8"x1/4"BS |
| 21   | 14117700 | 1         | SPINDLE S93 L46 NV13 SS        |
| 22   | 24260100 | 1         | O-RING Ø88.0X5.0 SH70 VITON    |
| 23   | 24260700 | 1         | O-RING Ø101.19X3.53 SH70 VITON |
| 24   | 28030303 | 1         | CLAMP HOSE T-BOLT S2.5" 235-76 |
| 25   | 28053400 | 1         | GAUGE VACUUM SUCT. FILTER NCM  |
| 26   | 28054300 | 1         | QUICK COUPLER 1/8"BSP/Ø4 FEMAL |
| 27   | 33503200 | 1         | HOSE COUPLER F. EASYCLEAN FILT |
| 28   | 33503600 | 1         | FILTER CARRIER F. EASYCLEAN    |
| 29   | 72072900 | 1         | FITT.S93 2-1/2" 45°PVC W/ORING |
| 30   | 72270600 | 1         | LID ASSM. EASYCLEAN FILTER     |
| 31   | 72278800 | 1         | FILTER 30 MESH GREEN D110/284  |
| 31   | 72278900 | 1         | FILTER 50 MESH BLUE D110/284   |
| 31   | 72279000 | 1         | FILTER 80 MESH RED D110/284    |
| 32   | 72318900 | 1         | EASYCLEAN FILTER COMPL.        |
| 33   | 74192800 | 1         | FILTER LOCK PARTS - EASYCLEAN  |
| 34   | 92702803 | 1         | HOSE PVC SUCT GRAY 2.5"        |





**B0730**

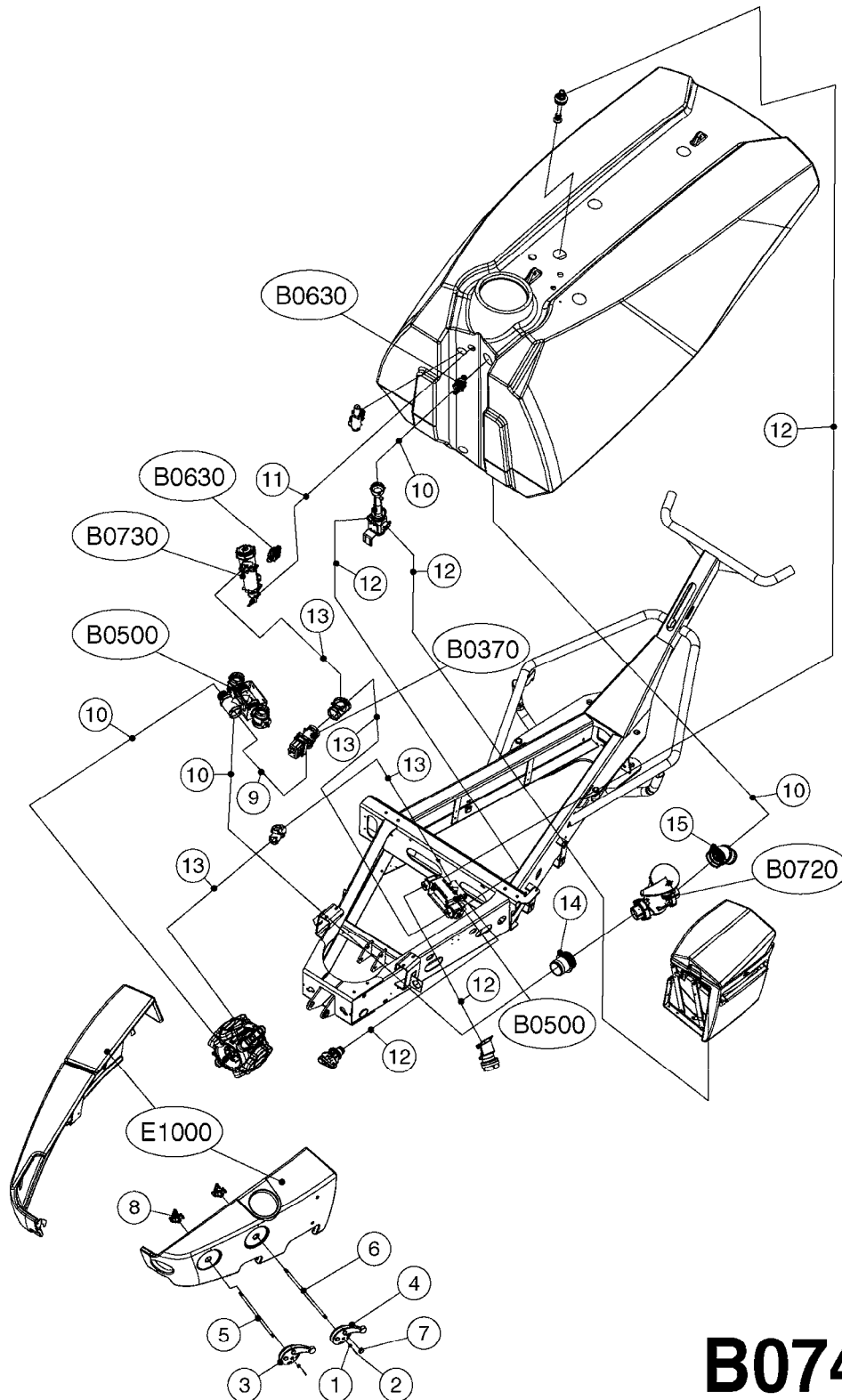


PRESSURE FILTER - CYCLONE  
B0730-HIN, 01:01:16

Page 1

Date 16.03.2016 13:54

| Pos. | parts-n° | order qty | description                    |
|------|----------|-----------|--------------------------------|
| 1    | 145996   | 1         | FITT.DK S-67 FORK              |
| 2    | 241323   | 1         | O-RING D5.3X2.4 NITRIL         |
| 3    | 242353   | 1         | O-RING D44.2X3.0 VITON F.S-67  |
| 4    | 242565   | 1         | O-RING Ø 85 X 4.0 SH70 VITON   |
| 5    | 242577   | 1         | O-RING Ø 86 X 4.5 SH70 VITON   |
| 6    | 242594   | 1         | O-RING D14 X 1.78 SCH.70-EPDM  |
| 7    | 322358   | 1         | T-PIECE S67-1/2"-3/4"          |
| 8    | 322359   | 1         | CYCLONE FILTER HOUSING         |
| 9    | 330315   | 1         | O-RING D18.4/D13X.6            |
| 10   | 391093   | 1         | CONE F. CYCLONE FILTER         |
| 11   | 61036000 | 1         | FILTER ELEM.S93,100 MSH-YELLOW |
| 11   | 615416   | 1         | FILTER ELEM.S93,50 MESH-BLUE   |
| 11   | 72557200 | 1         | FILTER ELEM.S93,80# CYCLONE    |
| 12   | 741827   | 1         | SEAL KIT CYCLONE FILTER        |
| 13   | 39127500 | 1         | VALVE SEAT                     |
| 14   | 72281200 | 1         | CYCLONE FILT.COMP. 80 MSH S67  |
| 14   | 72316500 | 1         | CYCLONE FILT.COMP.50 MSH S67   |
| 14   | 72316600 | 1         | CYCLONE FILT.COMP.100 MSH S67  |
| 15   | 72281300 | 1         | VALVE BOOSTER/ON/OFF CYCLONE F |
| 16   | 72352200 | 1         | LID COMPLETE F. CYCLONE FILTER |
| 17   | 74192900 | 1         | FILTER LOCK PARTS - CYCLONE    |



**B0740**



NCM 4400/6600 MANIFOLD  
B0740-HIN, 01:01:16

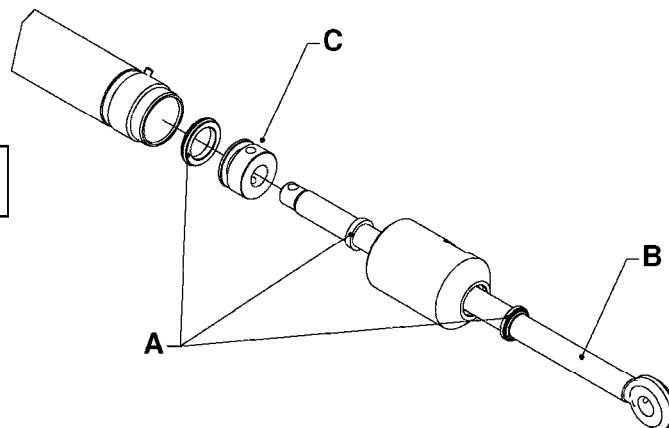
Page 1

Date 16.03.2016 13:54

| Pos. | parts-n° | order qty | description                    |
|------|----------|-----------|--------------------------------|
| 1    | 334594   | 1         | PLUG F.VALVE HANDLE BLACK      |
| 2    | 411006   | 1         | SCREW M4X40 SLOTTED            |
| 3    | 741844   | 1         | VALVE HANDLE ASSY. SUCTION NCM |
| 4    | 741845   | 1         | VALVE HANDLE ASSY. PRESSUR NCM |
| 5    | 14038100 | 1         | AXLE FOR SUCTION VALVE HANDLE  |
| 6    | 14038200 | 1         | AXLE FOR PRESSURE VALVE HANDLE |
| 7    | 33505200 | 1         | PLUG FOR SMART VALVE HANDLE    |
| 8    | 72283000 | 1         | AXLE JOINT F. SMARTVALVE HANDL |
| 9    | 92702703 | 1         | HOSE PVC SUCT GRAY 2"          |
| 10   | 92702803 | 1         | HOSE PVC SUCT GRAY 2.5"        |
| 11   | 92703203 | 1         | HOSE R X3/4" X300PSI WP X0012" |
| 12   | 92712403 | 1         | HOSE R X1" X300PSI WP X0012"   |
| 13   | 92734403 | 1         | HOSE R X5/4" X200PSI WP X0012" |
| 14   | 727133   | 1         | FITT. S93 2-1/2" STR. S W/O-RI |
| 15   | 72072900 | 1         | FITT.S93 2-1/2" 45°PVC W/ORING |



Check cylinder barrel for stamped part number.



|        |        | A      | B        | C        |
|--------|--------|--------|----------|----------|
| 781030 |        | 750247 | 615030   | 146443   |
| 781031 |        | 750248 | 615040   | 146484   |
| 781033 |        | 750248 | 615174   | 146484   |
| 781035 |        | 750247 | 146610   | 146443   |
|        | 781038 | 750247 | 615210   | 146443   |
| 781039 |        | 750250 | 615656   | 147254   |
|        | 781041 | 750253 | 615232   | 146749   |
|        | 781043 | 750251 | 615210   | 146858   |
| 781044 |        | 750248 | 615316   | 146484   |
| 781045 |        | 750273 | 615358   | 146443   |
|        | 781047 | 750251 | 615363   | 146858   |
|        | 781051 | 750273 | 615570   | 146443   |
| 781052 |        | 750273 | 147127   | 146443   |
| 781053 |        | 750273 | 147151   | 146443   |
| 781058 |        | 750251 | 615643   | 146858   |
| 781060 |        | 750250 | 615656   | 147254   |
| 781065 |        | 750273 | 147127   | 146443   |
| 781067 |        | 755695 | 147468   | 147469   |
| 781078 |        | 750251 | 615643   | 146858   |
| 781080 |        | 750247 | 147601   | 146443   |
| 781083 |        | 755697 | 616065   | 147463   |
| 781084 |        | 750247 | 616070   | 146443   |
| 781087 |        | 750689 | 147127   | 146858   |
| 781090 |        | 750669 | 61003600 | 14005600 |

|          |  | A      | B        | C        |
|----------|--|--------|----------|----------|
| 781093   |  | 750693 | 14018900 | 14022200 |
| 781096   |  | 750691 | 61025200 | 14015500 |
| 781097   |  | 750691 | 61022800 | 14015500 |
| 781100   |  | 750692 | 14022400 | 14038500 |
| 781107   |  | 750713 | 14028900 | 14024100 |
| 781109   |  | 750713 | 14029100 | 14024100 |
| 781111   |  | 750713 | 14029100 | 14024100 |
| 781113   |  | 750714 | 61028900 | 14038400 |
| 781115   |  | 750709 | 61029200 | 14029700 |
| 781116   |  | 750712 | 14030200 | 14038400 |
| 781118   |  | 750710 | 14030600 | 14029700 |
| 781119   |  | 750710 | 14030700 | 14029700 |
| 781121   |  | 750711 | 14030900 | 14029700 |
| 781122   |  | 750711 | 14030900 | 14029700 |
| 781123   |  | 750711 | 14031100 | 14029700 |
| 781124   |  | 750711 | 14031100 | 14029700 |
| 781126   |  | 750710 | 14036200 |          |
| 781127   |  | 750709 | 61033600 |          |
| 781130   |  | 750715 | 61031000 | 14027500 |
| 781132   |  | 750668 | 63039300 |          |
| 781138   |  | 750715 | 61038000 | 14027500 |
| 781139   |  | 750725 | 615656   |          |
| 781141   |  | 750724 | 61022800 |          |
| 78100003 |  | 750691 | 61022800 | 14008203 |

**C0020**



| parts-n° | order qty | description                    |
|----------|-----------|--------------------------------|
| 146443   | 1         | HYDR.PISTON D49.8/23.0 L=35    |
| 146484   | 1         | HYDR.PISTON D39.8/18.0 L=25    |
| 146610   | 1         | PISTON ARM F.CYL Ø50/25-150    |
| 146749   | 1         | PISTON RING F.D70/50-700       |
| 146858   | 1         | HYDR.PISTON D59.8/23.0 L=35    |
| 147127   | 1         | PISTON BAR Ø30,0 - 385MM       |
| 147151   | 1         | PISTON BAR D30.0 - 585MM       |
| 147254   | 1         | HYDR.PISTON D25/12 L=12        |
| 147463   | 1         | PISTON RING F.D70/40           |
| 147468   | 1         | ROD CYLINDER F. 781067 HYD CYL |
| 147469   | 1         | PISTON F. 781067 HYD CYL       |
| 147601   | 1         | PISTON ARM F. CYL. Ø25 L=348   |
| 615030   | 1         | PISTON BAR D 50/25-300         |
| 615040   | 1         | PISTON ARM F.CYL Ø40/20-120    |
| 615174   | 1         | PISTON ROD F. HY CYLINDER      |
| 615210   | 1         | HINGE PIN W.FORK L=1015        |
| 615232   | 1         | PISTON ARM F.CYL Ø70/50-700    |
| 615316   | 1         | PISTON ARM F. CYL. D40/20-500  |
| 615358   | 1         | PISTON ARM F.CYL Ø50/30-500    |
| 615363   | 1         | PISTON ARM F.CYL Ø25 L=1315    |
| 615570   | 1         | CYLINDER ROD F.HY CYL.781051   |
| 615643   | 1         | PISTON BAR 060-25 - 830MM      |
| 615656   | 1         | PISTON BAR FOR 025/12-50       |
| 616065   | 1         | PISTON ARM F. CYL. Ø40/400     |
| 616070   | 1         | PIST ARM Ø50/25L=300alt781113  |
| 750247   | 1         | SEAL KIT F.HY CYL.781030/35/38 |
| 750248   | 1         | SEAL KIT F.HY CYL.781031/33    |
| 750250   | 1         | SEAL KIT F.HY CYL.781039       |
| 750251   | 1         | SEAL KIT F.HY CYL.             |
| 750253   | 1         | SEAL KIT F.HY CYL.781041       |
| 750273   | 1         | GASKET SET F.HY-CYL 781051-52  |
| 750668   | 1         | SEAL KIT F.HY DAMPER 781089    |
| 750669   | 1         | SEAL KIT F.HY CYL. 781090      |
| 750689   | 1         | SEAL KIT F.HY CYL.781087       |
| 750691   | 1         | SEAL KIT F HY CYL.781095/96/97 |
| 750692   | 1         | SEAL KIT F.HY CYL.781100       |
| 750693   | 1         | SEAL KIT F.HY CYL.781093       |
| 750709   | 1         | GASKET SET F.781115/25         |
| 750710   | 1         | SEAL KIT F.HY CYL.781118/19/20 |
| 750711   | 1         | SEAL KIT F.781121/22/23/24     |
| 750712   | 1         | SEAL KIT F.781116              |
| 750713   | 1         | SEAL KIT F HY CYL.781103/6/7/8 |
| 750714   | 1         | SEAL KIT F.HY CYL.781113/14/17 |
| 750715   | 1         | SEAL KIT F.HY CYL.781105/30/38 |
| 750724   | 1         | SEAL KIT F.HY CYL.781141       |
| 750725   | 1         | SEAL KIT F.HY CYL.781131-39    |
| 755695   | 1         | SEAL KIT F. HYD CYL 781067     |
| 755697   | 1         | SEAL KIT F.HY CYL.781083       |
| 781030   | 1         | DOUBLE CYLINDER D 50/25-300    |
| 781031   | 1         | CYLINDER D40/20-120            |
| 781033   | 1         | DOUBLE CYLINDER D 40/20-300    |
| 781035   | 1         | CYLINDER DOUBLE Ø50/25-150     |
| 781038   | 1         | CYLINDER Ø50/25-900            |
| 781039   | 1         | CYL D25/12-50 172MM alt 781139 |
| 781041   | 1         | CYLINDER DOUBLE Ø70/50-700     |
| 781043   | 1         | CYLINDER DOUBLE D60/25-900     |
| 781044   | 1         | CYLINDER DOUBLE D40/20-300     |
| 781045   | 1         | CYLINDER DOUBLE Ø50/30-500     |
| 781047   | 1         | CYLINDER Ø60/25-1200           |
| 781051   | 1         | CYLINDER DOUBLE Ø50/30-600     |
| 781052   | 1         | CYL DOUB D50/30-300 78121600   |



| parts-n° | order qty | description                    |
|----------|-----------|--------------------------------|
| 781053   | 1         | CYL F INN WING FLD alt 781107  |
| 781058   | 1         | CYLINDER 60/25 X 725 CM PAR LH |
| 781060   | 1         | CYLINDER D25/12-50 L=210mm     |
| 781065   | 1         | CYLINDER F.WING TILT           |
| 781067   | 1         | CYL DOUB D50/30-300 78121600   |
| 781078   | 1         | CYLINDER 60/25 X 725 CM PAR RH |
| 781080   | 1         | DOB.CYL.D50/25-250             |
| 781083   | 1         | CYLINDER DOUBLE D70/40-400     |
| 781084   | 1         | CYLINDER D50/25 L=300          |
| 781087   | 1         | CYL DOUB 60/30-300 alt 781100  |
| 781090   | 1         | CYL DBLD32/16-200W             |
| 781093   | 1         | CYLINDER FOLD SPC D60/30 L=300 |
| 781096   | 1         | CYLINDER 60/25 X 662 NAV PAR   |
| 781097   | 1         | CYLINDER 60/25 X 725 CM PAR    |
| 781100   | 1         | CYLINDER DOUBLE 60/30-300      |
| 781107   | 1         | DOBCYL50/30-500/M24X2 78121200 |
| 781109   | 1         | DOUBLE CYLINDER D 50/30-300    |
| 781111   | 1         | CYL DOUB D50/30-300 78121600   |
| 781113   | 1         | DOUBLE CYLINDER D 50/25-300    |
| 781115   | 1         | DOUBLE CYLINDER D 40/20-300    |
| 781116   | 1         | CYLINDER DOUBLE D50/25-298     |
| 781118   | 1         | CYLINDER 40/20 L=180           |
| 781119   | 1         | DOUBLE CYLINDER D 40/20-300    |
| 781121   | 1         | CYLINDER D40/22-300 BLACK      |
| 781122   | 1         | CYLINDER 40/22X300MM RED       |
| 781123   | 1         | CYLINDER D40/22-300 BLACK      |
| 781124   | 1         | CYLINDER 40/22X300MM RED       |
| 781126   | 1         | CYLINDER D40/20-120            |
| 781127   | 1         | CYLINDER D40/20-120            |
| 781130   | 1         | CYLINDER DOUBL. D70/40-320     |
| 781132   | 1         | CYL.STAB CM1200 04 78126000    |
| 781138   | 1         | CYLINDER DOUBL. D70/40-265     |
| 781139   | 1         | CYLINDER D25/12-50             |
| 781141   | 1         | CYLINDER 60/25 X 635 DELTA PAR |
| 14005600 | 1         | HYDR.PISTON D32.0/16.0 L=25    |
| 14008203 | 1         | HYD. CYLINDER PISTON CM+750    |
| 14015500 | 1         | HYDR.PISTON D60.0/25.0 L=40    |
| 14018900 | 1         | PISTON ARM F. CYL. Ø30 L=420   |
| 14022200 | 1         | HYDR.PISTON D59.4/20.0 L=34.9  |
| 14022400 | 1         | PISTON ARM F. CYL. Ø60 L=412   |
| 14024100 | 1         | HYDR.PISTON D49.4/20.0 L=35    |
| 14027500 | 1         | HYDR.PISTON D69.4/24.0 L=35    |
| 14028900 | 1         | CYLINDER ROD D30.0 L=609.0     |
| 14029100 | 1         | CYLINDER ROD D30.0 L=409.0     |
| 14029700 | 1         | HYDR.PISTON D38.0/16.0 L=25    |
| 14030200 | 1         | CYLINDER ROD D25.0 L=398       |
| 14030600 | 1         | CYLINDER ROD D20.0 L=281.0     |
| 14030700 | 1         | CYLINDER ROD D20.0 L=401       |
| 14030900 | 1         | CYLINDER ROD D22.0 L=401       |
| 14031100 | 1         | CYLINDER ROD D22.0 L=439/M22   |
| 14036200 | 1         | CYLINDER ROD D20.0 L=221.0     |
| 14038400 | 1         | HYDR.PISTON D49.4/20.0 L=34.9  |
| 14038500 | 1         | PISTON HYD. CYL. Ø60/Ø25       |
| 61003600 | 1         | CYLINDER ROD F. 781090         |
| 61022800 | 1         | PISTON ARM F.CYL.Ø60/25L=856.5 |
| 61025200 | 1         | PISTON ARM F.CYL.Ø60/25L=786.5 |
| 61028900 | 1         | PISTON ARM F.CYL.Ø50/25-300    |
| 61029200 | 1         | PISTON ROD F. HY CYLINDER      |
| 61031000 | 1         | CYLINDER ROD FOR D70/40 - 320  |
| 61033600 | 1         | PISTON ARM F.CYL.Ø40/20 L=120  |
| 61038000 | 1         | CYLINDER ROD FOR D70/40        |



HYDRAULICS - CYLINDERS  
C0020-HIN, 01:01:16

Page 3

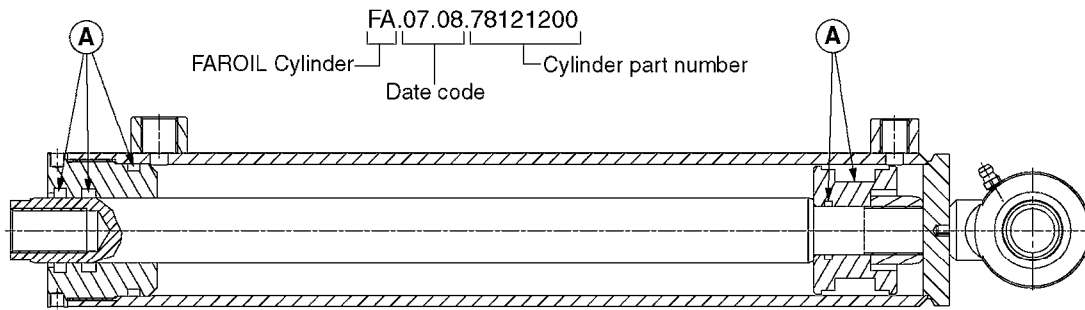
Date 16.03.2016 13:54

| parts-n°             | order qty | description                                           |
|----------------------|-----------|-------------------------------------------------------|
| 63039300<br>78100003 | 1<br>1    | CYLINDER ROD F.781132<br>CYL. PARA-LIFT CM+750 W/STOP |





Check cylinder barrel for stamped part number.



FAROIL cylinders directly replace the cylinders in the chart below. Seal kits (A) are for FAROIL cylinders only. Seal kits for replaced cylinders can be found on pages C0010 and C0020.

| FAROIL Cylinder # | Replaces Cylinder # | FAROIL Seal Kit (A) |
|-------------------|---------------------|---------------------|
| 78120000          | 781001              | 75075900            |
| 78120100          | 781011              | 75076000            |
| 78120200          | 781034              | 75075900            |
| 78120300          | 781040              | 75076100            |
| 78120500          | 781093              | 75074600            |
| 78120600 (LH)     | 781096*             | 28117300            |
| 78120700 (LH)     | 781097*             | 28117300            |
| 78120800          | 781100              | 75075400            |
| 78121000          | -                   | 75075500            |
| 78121200          | 781107              | 75074500            |
| 78121400          | 781109              | 75075200            |
| 78121600          | 781111              | 75074500            |
| 78121800          | 781113              | 75074400            |
| 78122000          | 781115              | 75074300            |
| 78122100          | 781116              | 75074400            |
| 78122300          | 781118              | 75074300            |
| 78122400          | 781119              | 75074300            |
| 78122600          | 781121              | 75075000            |
| 78122700          | 781122              | 75075000            |

| FAROIL Cylinder # | Replaces Cylinder # | FAROIL Seal Kit (A) |
|-------------------|---------------------|---------------------|
| 78122800          | 781123              | 75075000            |
| 78122900          | 781124              | 75075000            |
| 78123100          | 781126              | 75074300            |
| 78123200          | 781127              | 75074300            |
| 78123300 (LH)     | 78115000*           | 75075500            |
| 78124100 (RH)     | 78115100*           | 75075500            |
| 78124200**        | 781139              | 75074800            |
| 78124300 (LH)     | 781141*             | 28117300            |
| 78124600          | 781115              | 75074300            |
| 78125100 (RH)     | 78115000*           | 75075500            |
| 78125300 (LH)     | 78115100*           | 75075500            |
| 78125500 (RH)     | 781096*             | 28117300            |
| 78125600 (RH)     | 781097*             | 28117300            |
| 78125700 (RH)     | 781141*             | 28117300            |
| 78126000          | 781132              | 75074900            |
| 78126400          | 781090              | 75076500            |
| 78128000          | 78120500            | 75074600            |
| 78128800          | 78121200            | 75075200            |

\*Replaced by separate left and right cylinders.

\*\* Only available as 72531000 (78124200 with fittings).



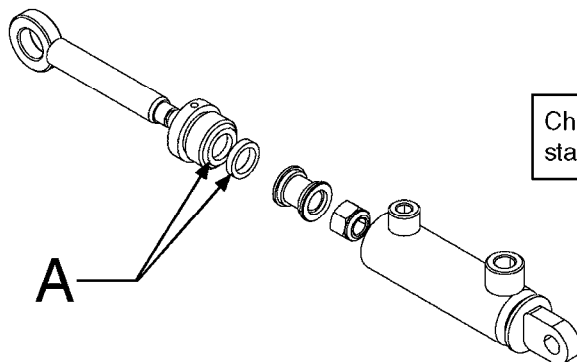
| parts-n° | order qty | description                                                  |
|----------|-----------|--------------------------------------------------------------|
| 781001   | 1         | CYL.TELESCOPING Ø50/40/25_1100                               |
| 781011   | 1         | CYLINDER TELESC.70/60/40                                     |
| 781034   | 1         | HY. CYLINDER D50/40/25 - 1200                                |
| 781040   | 1         | CYLINDER 60/50/30 1100MM                                     |
| 781090   | 1         | CYL DBLD32/16-200W                                           |
| 781093   | 1         | CYLINDER FOLD SPC D60/30 L=300                               |
| 781096   | 1         | CYLINDER 60/25 X 662 NAV PAR                                 |
| 781097   | 1         | CYLINDER 60/25 X 725 CM PAR                                  |
| 781100   | 1         | CYLINDER DOUBLE 60/30-300                                    |
| 781107   | 1         | DOBCYL50/30-500/M24X2 78121200                               |
| 781109   | 1         | DOUBLE CYLINDER D 50/30-300                                  |
| 781111   | 1         | CYL DOUB D50/30-300 78121600                                 |
| 781113   | 1         | DOUBLE CYLINDER D 50/25-300                                  |
| 781115   | 1         | DOUBLE CYLINDER D 40/20-300                                  |
| 781116   | 1         | CYLINDER DOUBLE D50/25-298                                   |
| 781118   | 1         | CYLINDER 40/20 L=180                                         |
| 781119   | 1         | DOUBLE CYLINDER D 40/20-300                                  |
| 781121   | 1         | CYLINDER D40/22-300 BLACK                                    |
| 781122   | 1         | CYLINDER 40/22X300MM RED                                     |
| 781123   | 1         | CYLINDER D40/22-300 BLACK                                    |
| 781124   | 1         | CYLINDER 40/22X300MM RED                                     |
| 781126   | 1         | CYLINDER D40/20-120                                          |
| 781127   | 1         | CYLINDER D40/20-120                                          |
| 781132   | 1         | CYL.STAB CM1200 04 78126000                                  |
| 781139   | 1         | CYLINDER D25/12-50                                           |
| 781141   | 1         | CYLINDER 60/25 X 635 DELTA PAR                               |
| 28117300 | 1         | SEAL KIT 78120600/07/43                                      |
| 72531000 | 1         | CYL. D25/12-50/78124200 W/FITT                               |
| 75074300 | 1         | SEALKIT78122000/23-25/30-32/46                               |
| 75074400 | 1         | SEAL KIT 78121800/21/44                                      |
| 75074500 | 1         | SEALKIT78121100-13/15/16/36/48                               |
| 75074600 | 1         | SEAL KIT 78120500/49                                         |
| 75074800 | 1         | SEAL KIT 78123400/42                                         |
| 75074900 | 1         | SEAL KIT 78123700                                            |
| 75075000 | 1         | SEAL KIT 78122600/27/28/29                                   |
| 75075200 | 1         | SEAL KIT 78120900/14/50                                      |
| 75075400 | 1         | SEAL KIT 78120800                                            |
| 75075500 | 1         | SEAL KIT 78121000/33/41/51/53                                |
| 75075900 | 1         | SEAL KIT FOR 78120000 & 78120200                             |
| 75076000 | 1         | SEAL KIT 78120100                                            |
| 75076100 | 1         | SEAL KIT 78120300                                            |
| 75076500 | 1         | SEAL KIT 78126400                                            |
| 78115000 | 1         | DBL CYL D70/40-320 AIRING                                    |
| 78115100 | 1         | CYL DOB.D70/40-265 AIR INLET R                               |
| 78120000 | 1         | CYL.TELESCOPING Ø50/40/25_1100                               |
| 78120100 | 1         | CYLINDER TELESC.70/60/40                                     |
| 78120200 | 1         | HY. CYLINDER D50/40/25 - 1200                                |
| 78120300 | 1         | CYLINDER 60/50/30 1100MM                                     |
| 78120500 | 1         | CYLINDER FOLD SPC D60/30 L=300<br>NLA - REPLACED BY 78128000 |
| 78120600 | 1         | CYLINDER 60/25 X 662 NAV PAR L                               |
| 78120700 | 1         | CYLINDER 60/25 X 725 CM PAR L                                |
| 78120800 | 1         | CYLINDER DOUBLE 60/30-300                                    |
| 78121000 | 1         | CYLINDER DOUBLE D70/40-400                                   |
| 78121200 | 1         | CYLINDER, D50/30-500                                         |
| 78121400 | 1         | CYLINDER DOUBLE D50/30-300                                   |
| 78121600 | 1         | CYLINDER DOUBLE D50/30-300                                   |
| 78121800 | 1         | CYLINDER D50/25 L=300                                        |
| 78122000 | 1         | CYLINDER DOUBLE Ø40/20-300 0°                                |
| 78122100 | 1         | CYLINDER DOUBLE D50/25-298                                   |
| 78122300 | 1         | DOB.CYL.D40/20_180                                           |



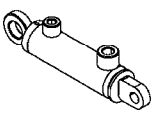
HYDRAULICS - FAROIL CYLINDERS  
C0030-HIN, 01:01:16

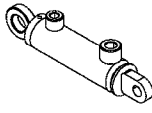
Page 2  
Date 16.03.2016 13:54

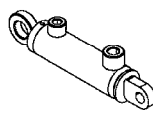
| parts-n° | order qty | description                    |
|----------|-----------|--------------------------------|
| 78122400 | 1         | DOUBLE CYLINDER D 40/20-300    |
| 78122600 | 1         | CYLINDER D40/22-300 BLACK      |
| 78122700 | 1         | CYLINDER 40/22X300MM RED       |
| 78122800 | 1         | CYLINDER D40/22-300 BLACK      |
| 78122900 | 1         | CYLINDER 40/22X300MM RED       |
| 78123100 | 1         | CYLINDER D40/20-120            |
| 78123200 | 1         | CYLINDER D40/20-120            |
| 78123300 | 1         | DBL CYL D70/40-320 AIR INLET L |
| 78124100 | 1         | CYL DOB.D70/40-265 AIR INLET R |
| 78124200 | 1         | CYLINDER D25/12-50             |
| 78124300 | 1         | CYLINDER 60/25 X 635 DELTA L   |
| 78124600 | 1         | CYLINDER DOUBLE Ø40/20-300 90° |
| 78125100 | 1         | DBL CYL D70/40-320 AIR INLET R |
| 78125300 | 1         | CYL DOB.D70/40-265 AIR INLET L |
| 78125500 | 1         | CYLINDER 60/25 X 662 NAV PAR R |
| 78125600 | 1         | CYLINDER 60/25 X 725 CM PAR R  |
| 78125700 | 1         | CYLINDER 60/25 X 635 DELTA R   |
| 78126000 | 1         | CYLINDER,DAMPNER,LOCKING       |
| 78126400 | 1         | CYLINDER DBLE D32/16-200 W.STP |
| 78128000 | 1         | CYLINDER DOUB. D60/30 L=300 09 |
| 78128800 | 1         | CYLINDER, D50/30-500           |



Check cylinder barrel for stamped part number.

|  | A        |
|-----------------------------------------------------------------------------------|----------|
| 781136                                                                            | 28064100 |
| 781137                                                                            | 28064200 |
| 78114300                                                                          | 75083800 |
| 78120000                                                                          | 75075900 |
| 78120100                                                                          | 75076000 |
| 78120200                                                                          | 75075900 |
| 78120300                                                                          | 75076100 |
| 78120400                                                                          | 75074200 |
| 78120500                                                                          | 75074600 |
| 78120600                                                                          | 28117300 |
| 78120700                                                                          | 28117300 |
| 78120800                                                                          | 75075400 |
| 78121000                                                                          | 75075500 |
| 78121200                                                                          | 75074500 |
| 78121300                                                                          | 75074500 |
| 78121400                                                                          | 75075200 |
| 78121600                                                                          | 75074500 |
| 78121800                                                                          | 75074400 |
| 78122000                                                                          | 75074300 |
| 78122100                                                                          | 75074400 |

|  | A        |
|-----------------------------------------------------------------------------------|----------|
| 78122300                                                                          | 75074300 |
| 78122400                                                                          | 75074300 |
| 78122600                                                                          | 75075000 |
| 78122700                                                                          | 75075000 |
| 78122800                                                                          | 75075000 |
| 78122900                                                                          | 75075000 |
| 78123000                                                                          | 75074300 |
| 78123100                                                                          | 75074300 |
| 78123200                                                                          | 75074300 |
| 78123400*                                                                         | 75074800 |
| 78123700                                                                          | 75074900 |
| 78124100                                                                          | 75075500 |
| 78124300                                                                          | 28117300 |
| 78124400                                                                          | 75074400 |
| 78124500                                                                          | 75076400 |
| 78124600                                                                          | 75074300 |
| 78125100                                                                          | 75075500 |
| 78125300                                                                          | 75075500 |
| 78125500                                                                          | 28117300 |
| 78125800                                                                          | 75076400 |

|  | A        |
|-------------------------------------------------------------------------------------|----------|
| 78126000                                                                            | 75074900 |
| 78126400                                                                            | 75076500 |
| 78126500                                                                            | 75074800 |
| 78127200                                                                            | 75084400 |
| 78127800                                                                            | 75084500 |
| 78128000                                                                            | 75074600 |
| 78128100                                                                            | 75084700 |
| 78128500                                                                            | 75084900 |
| 78128700                                                                            | 75075200 |
| 78128800                                                                            | 75075200 |
| 78129900                                                                            | 75074300 |
| 78130600                                                                            | 75074400 |
| 78130900                                                                            | 75085400 |
| 78131000                                                                            | 75075400 |
| 78131100                                                                            | 75085500 |

\* Only available as 72320300 (78123400 with spring lock & fittings).



| parts-n° | order qty | description                      |
|----------|-----------|----------------------------------|
| 781136   | 1         | HYDRAULIC SHOCK NCM4400 SUSP.    |
| 781137   | 1         | HYDRAULIC SHOCK NCM6600 SUSP.    |
| 28064100 | 1         | GASKET SET FOR CYL. 781136       |
| 28064200 | 1         | GASKET SET FOR CYL. 781137       |
| 28117300 | 1         | SEAL KIT 78120600/07/43          |
| 72320300 | 1         | HYD. CYL. STEERING LOCK CM "05   |
| 75074200 | 1         | SEAL KIT 78120400                |
| 75074300 | 1         | SEALKIT78122000/23-25/30-32/46   |
| 75074400 | 1         | SEAL KIT 78121800/21/44          |
| 75074500 | 1         | SEALKIT78121100-13/15/16/36/48   |
| 75074600 | 1         | SEAL KIT 78120500/49             |
| 75074800 | 1         | SEAL KIT 78123400/42             |
| 75074900 | 1         | SEAL KIT 78123700                |
| 75075000 | 1         | SEAL KIT 78122600/27/28/29       |
| 75075200 | 1         | SEAL KIT 78120900/14/50          |
| 75075400 | 1         | SEAL KIT 78120800                |
| 75075500 | 1         | SEAL KIT 78121000/33/41/51/53    |
| 75075900 | 1         | SEAL KIT FOR 78120000 & 78120200 |
| 75076000 | 1         | SEAL KIT 78120100                |
| 75076100 | 1         | SEAL KIT 78120300                |
| 75076400 | 1         | SEAL KIT 78124500 & 78125800     |
| 75076500 | 1         | SEAL KIT 78126400                |
| 75083800 | 1         | SEAL KIT F.78114300              |
| 75084400 | 1         | SEAL KIT FOR 78127200/7500       |
| 75084500 | 1         | SEAL KIT FOR 78127800            |
| 75084700 | 1         | SEAL KIT FOR 78128100            |
| 75084900 | 1         | SEAL KIT FOR 78128500            |
| 75085400 | 1         | SEAL KIT FOR 78130900            |
| 75085500 | 1         | SEAL KIT F.HY CYL. 78131100      |
| 78114300 | 1         | CYLINDER 70/30 X 662 LG PAR R    |
| 78120000 | 1         | CYL.TELESCOPING Ø50/40/25_1100   |
| 78120100 | 1         | CYLINDER TELESC.70/60/40         |
| 78120200 | 1         | HY. CYLINDER D50/40/25 - 1200    |
| 78120300 | 1         | CYLINDER 60/50/30 1100MM         |
| 78120400 | 1         | CYLINDER DBLE D32/16-200 W.STP   |
| 78120500 | 1         | CYLINDER FOLD SPC D60/30 L=300   |
| 78120600 | 1         | CYLINDER 60/25 X 662 NAV PAR L   |
| 78120700 | 1         | CYLINDER 60/25 X 725 CM PAR L    |
| 78120800 | 1         | CYLINDER DOUBLE 60/30-300        |
| 78121000 | 1         | CYLINDER DOUBLE D70/40-400       |
| 78121200 | 1         | CYLINDER, D50/30-500             |
| 78121300 | 1         | CYLINDER DBLE Ø50/30-600(700)    |
| 78121400 | 1         | CYLINDER DOUBLE D50/30-300       |
| 78121600 | 1         | CYLINDER DOUBLE D50/30-300       |
| 78121800 | 1         | CYLINDER D50/25 L=300            |
| 78122000 | 1         | CYLINDER DOUBLE Ø40/20-300 0°    |
| 78122100 | 1         | CYLINDER DOUBLE D50/25-298       |
| 78122300 | 1         | DOB.CYL.D40/20_180               |
| 78122400 | 1         | DOUBLE CYLINDER D 40/20-300      |
| 78122600 | 1         | CYLINDER D40/22-300 BLACK        |
| 78122700 | 1         | CYLINDER 40/22X300MM RED         |
| 78122800 | 1         | CYLINDER D40/22-300 BLACK        |
| 78122900 | 1         | CYLINDER 40/22X300MM RED         |
| 78123000 | 1         | CYLINDER D40/20-120              |
| 78123100 | 1         | CYLINDER D40/20-120              |
| 78123200 | 1         | CYLINDER D40/20-120              |
| 78123400 | 1         | CYLINDER FOR TRACK LOCK, NCM     |
| 78123700 | 1         | CYLINDER,DAMPNER,LOCK 78126000   |
| 78124100 | 1         | CYL DOB.D70/40-265 AIR INLET R   |
| 78124300 | 1         | CYLINDER 60/25 X 635 DELTA L     |
| 78124400 | 1         | CYLINDER DOUBLE D50/25_250       |

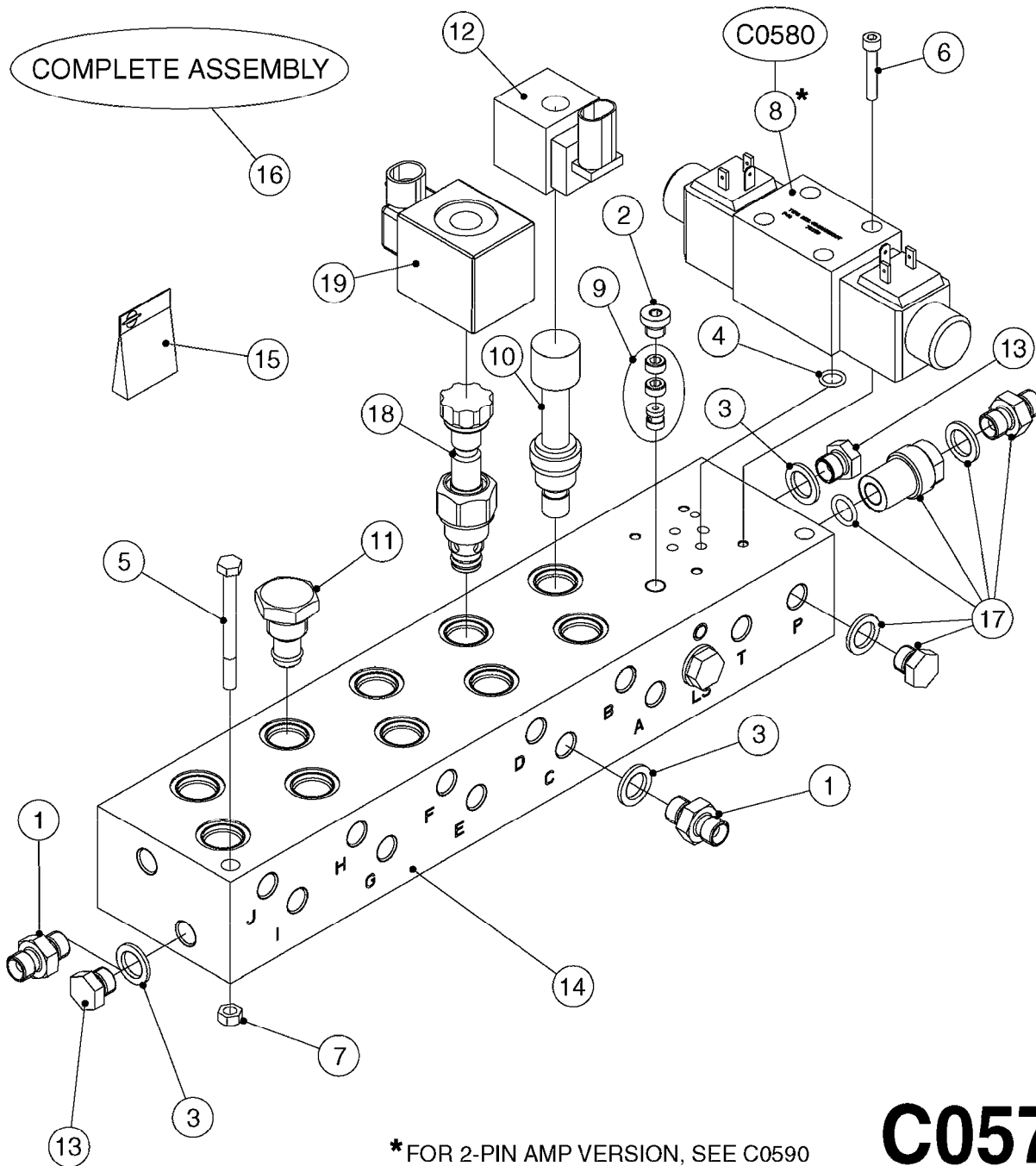


HYDRAULICS - CYLINDERS (07)  
C0040-HIN, 01:01:16

Page 2

Date 16.03.2016 13:54

| parts-n° | order qty | description                    |
|----------|-----------|--------------------------------|
| 78124500 | 1         | CYLINDER 70/30 X 662 LG PAR L  |
| 78124600 | 1         | CYLINDER DOUBLE Ø40/20-300 90° |
| 78125100 | 1         | DBL CYL D70/40-320 AIR INLET R |
| 78125300 | 1         | CYL DOB.D70/40-265 AIR INLET L |
| 78125500 | 1         | CYLINDER 60/25 X 662 NAV PAR R |
| 78125800 | 1         | CYLINDER 70/30 X 662 LG PAR R  |
| 78126000 | 1         | CYLINDER,DAMPNER,LOCKING       |
| 78126400 | 1         | CYLINDER DBLE D32/16-200 W.STP |
| 78126500 | 1         | CYLINDER D25/12-50 FAROIL NNAV |
| 78127200 | 1         | CYLINDER DOUB. D40/25 L=455    |
| 78127800 | 1         | HYDRAULIC CYLINDER 25-40       |
| 78128000 | 1         | CYLINDER DOUB. D60/30 L=300 09 |
| 78128100 | 1         | CYLINDER 70/30-300/TILT TDZ    |
| 78128500 | 1         | CYLINDER DOUBLE PLUNGER D60X75 |
| 78128700 | 1         | CYLINDER DOUBLE D50/30 500     |
| 78128800 | 1         | CYLINDER, D50/30-500           |
| 78129900 | 1         | CYLINDER DOUBLE D40/20 180 1/4 |
| 78130600 | 1         | DOB.CYL.Ø50/25-240/M. SENSOR   |
| 78130900 | 1         | CYLINDER, D70/40-500 TDZ FOLD  |
| 78131000 | 1         | CYLINDER, 60/30X462, 120' SPC  |
| 78131100 | 1         | HY. CYLINDER, 70/40X400        |



**C0570**

\* FOR 2-PIN AMP VERSION, SEE C0590



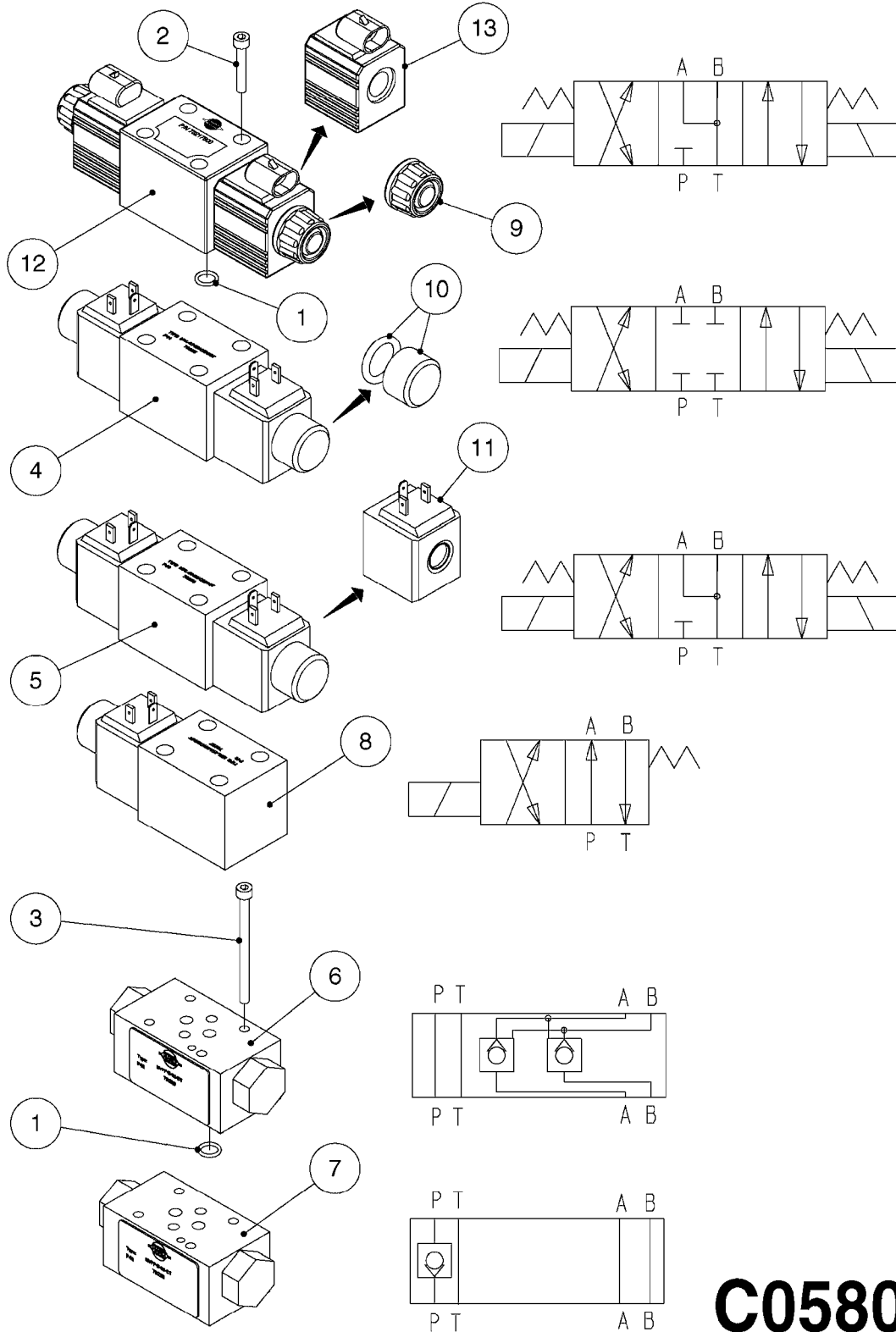
HYD.BLOCK EAGLE/FORCE PRE 2012  
C0570-HIN, 01:01:16

Page 1

Date 16.03.2016 13:54

| Pos. | parts-n° | order qty | description                     |
|------|----------|-----------|---------------------------------|
| 1    | 146845   | 1         | HEX NIPPLE 1/4"X1/4"            |
| 1    | 146851   | 1         | HEX NIPPLE 1/4"x1/4" 0.7MM      |
| 1    | 147498   | 1         | HEX NIPPLE 1/4"-1/4" 1.2mm      |
| 2    | 231987   | 1         | PLUG 1/8' BSP W/GASKET          |
| 3    | 241404   | 1         | DOWTY SEAL 1/4"                 |
| 4    | 242102   | 1         | O-RING Ø9.25X1.78 NITRIL 90SH   |
| 5    | 420847   | 1         | BOLT HEX 8.8 DEL M8X85          |
| 6    | 450964   | 1         | SCREW M5X30 F.CYLINDER          |
| 7    | 460143   | 1         | NUT HEX M8 LOCK A2 DIN985       |
| 8    | 782116   | 1         | MAGNET VLV.MD1L-S3/10N-D12K1/P  |
| 9    | 782124   | 1         | SWITCH VALVE OUTS.1/8" 5000PSI  |
| 10   | 782129   | 1         | SOLENOID VALVE 25L, 3/4"NC      |
| 11   | 782131   | 1         | BLIND PLUG F.3/4" CARTR.VALVE   |
| 12   | 782135   | 1         | SOLENOID W. AMP F.VALVE 782129  |
| 13   | 14010400 | 1         | PLUG 1/4" BSP                   |
| 14   | 14098600 | 1         | HYD. BLOCK SPC/FTZ 3/4" 2010    |
| 15   | 28047800 | 1         | SEAL KIT F.782129               |
| 15   | 75083900 | 1         | SEAL KIT F. 782129/78215500     |
| 16   | 72679100 | 1         | HY.BLOCK BOOM HYDR. FTZ 2010    |
| 17   | 74191700 | 1         | ADJ. FLOW VALVE REPAIR KIT DHP  |
| 18   | 78215500 | 1         | HY SOLENOID VALVE 40L<br>3/4"NC |
| 19   | 78602100 | 1         | MAGNET M.AMP/DIODE KIT 08       |





**C0580**

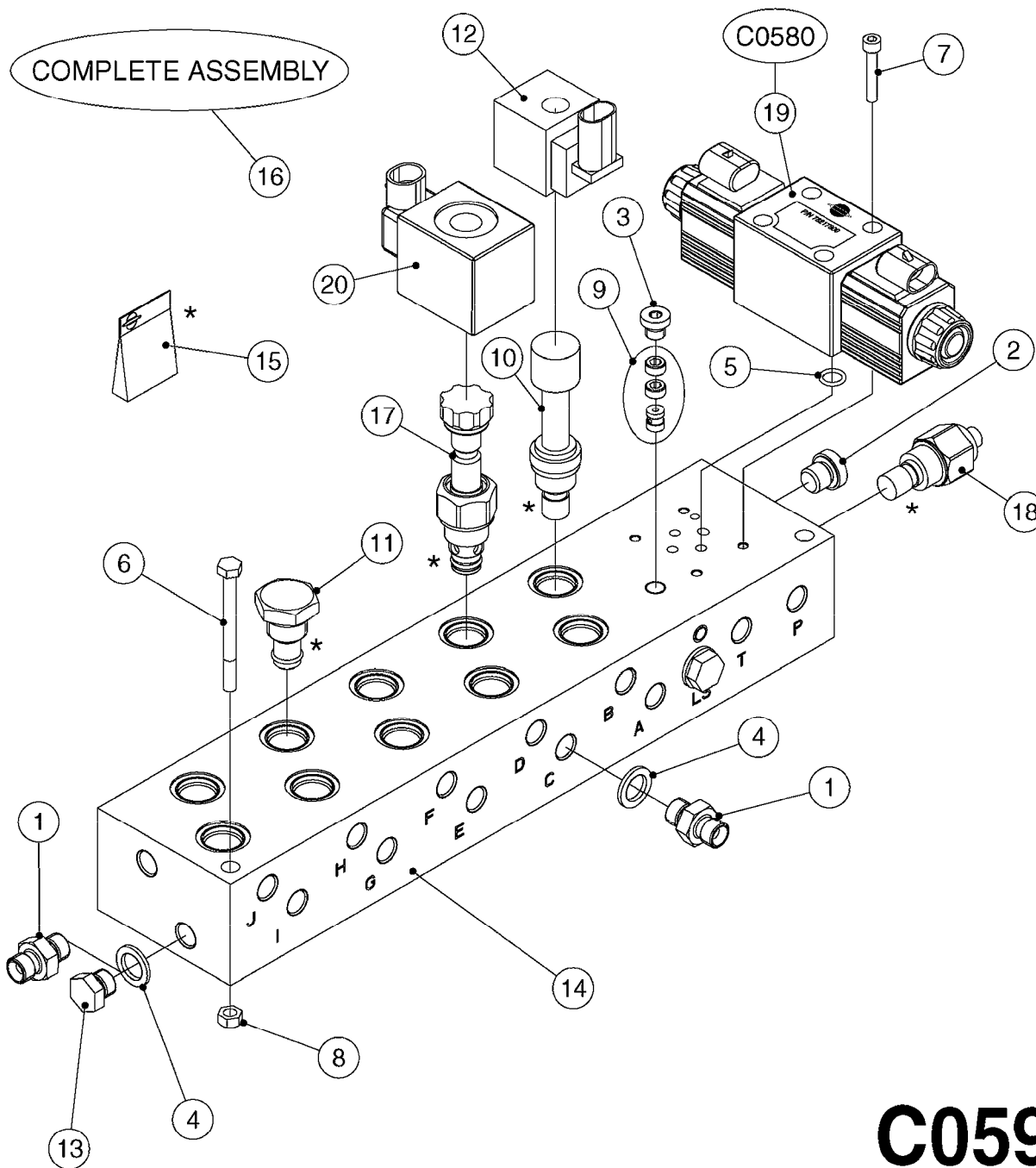


CETOP VALVES  
C0580-HIN, 01:01:16

Page 1

Date 16.03.2016 13:54

| Pos. | parts-n° | order qty | description                    |
|------|----------|-----------|--------------------------------|
| 1    | 242102   | 1         | O-RING Ø9.25X1.78 NITRIL 90SH  |
| 2    | 450964   | 1         | SCREW M5X30 F.CYLINDER         |
| 3    | 450965   | 1         | SCREW ROUND M5X70              |
| 4    | 782115   | 1         | HY SOLENOID VALVE DH HYD       |
| 5    | 782116   | 1         | MAGNET VLV.MD1L-S3/10N-D12K1/P |
| 6    | 782118   | 1         | LOCK VALVE MVPP-D              |
| 7    | 782146   | 1         | HYD. CHECK VALVE 1 WAY         |
| 8    | 782829   | 1         | SOLENOID MD1L-TA/10N-D12K1/DT  |
| 9    | 28123700 | 1         | CAP F.SOLENOID - MD1L          |
| 10   | 74187700 | 1         | CAP + O-RING F.CETOP - MD1L    |
| 11   | 78216000 | 1         | SOLENOID F.CETOP VALVE - MD1L  |
| 12   | 78217800 | 1         | MAGNET VLV.MD1L-S3/10N-D12K8DT |
| 13   | 78218200 | 1         | SOLENOID W/AMP F.MD1L          |

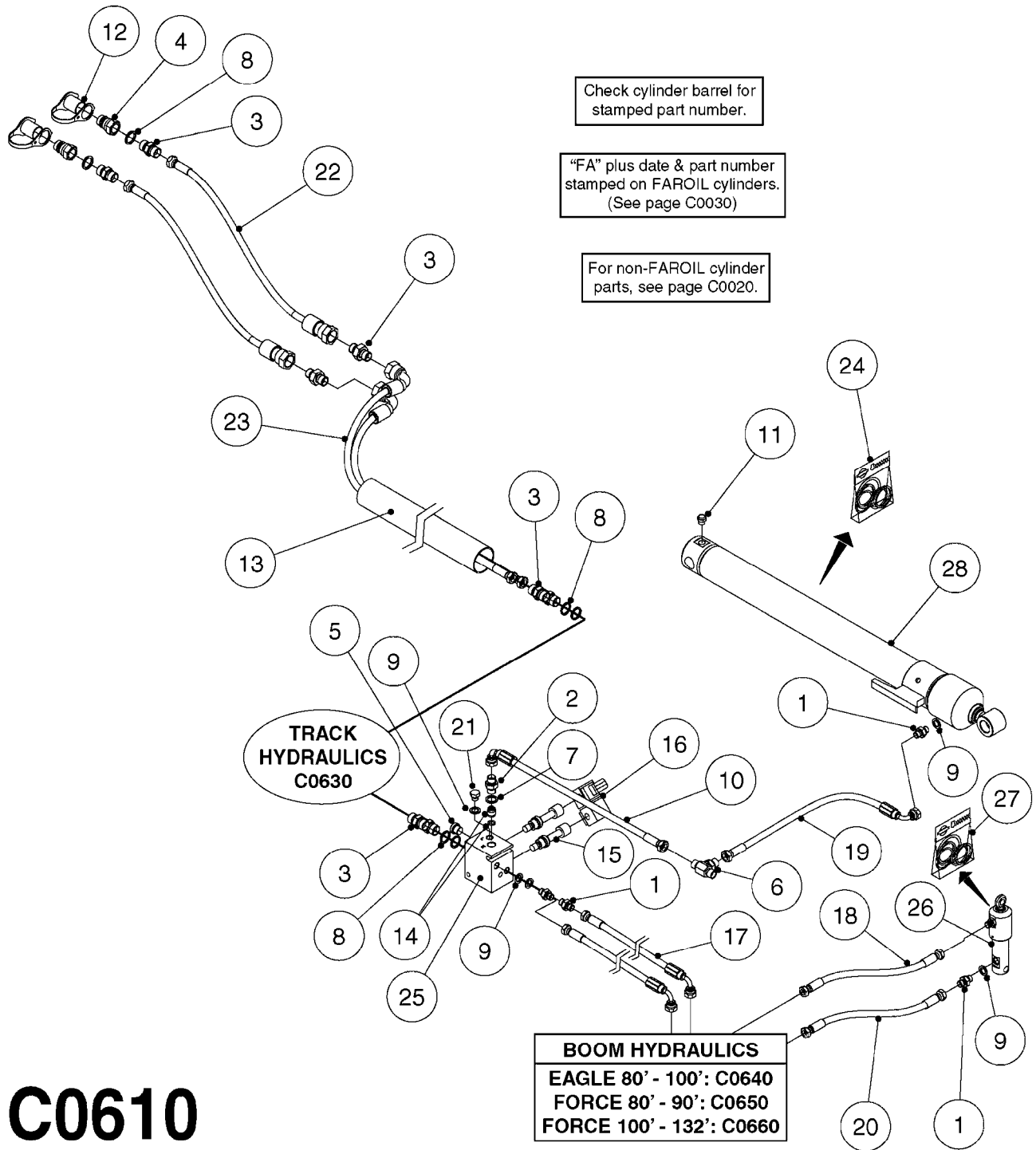




HYD.BLOCK EAGLE/FORCE 2012  
C0590-HIN, 01:01:16

Page 1  
Date 16.03.2016 13:54

| Pos. | parts-n° | order qty | description                                                      |
|------|----------|-----------|------------------------------------------------------------------|
| 1    | 146845   | 1         | HEX NIPPLE 1/4"x1/4"                                             |
| 1    | 146851   | 1         | HEX NIPPLE 1/4"x1/4" 0.7MM                                       |
| 1    | 23234500 | 1         | HEX NIPPLE 1/4" - 9/16"                                          |
| 2    | 231103   | 1         | PLUG 1/4" BSP, O-RING 08BPUP04                                   |
| 3    | 231987   | 1         | PLUG 1/8" BSP W/GASKET                                           |
| 4    | 241404   | 1         | DOWTY SEAL 1/4"                                                  |
| 5    | 242102   | 1         | O-RING Ø9.25X1.78 NITRIL 90SH                                    |
| 6    | 420847   | 1         | BOLT HEX 8.8 DEL M8X85                                           |
| 7    | 450964   | 1         | SCREW M5X30 F.CYLINDER                                           |
| 8    | 460143   | 1         | NUT HEX M8 LOCK A2 DIN985                                        |
| 9    | 782124   | 1         | SWITCH VALVE OUTS.1/8" 5000PSI                                   |
| 10   | 782129   | 1         | SOLENOID VALVE 25L, 3/4"NC                                       |
| 11   | 782131   | 1         | BLIND PLUG F.3/4" CARTR.VALVE                                    |
| 12   | 782135   | 1         | SOLENOID W. AMP F.VALVE 782129                                   |
| 13   | 14010400 | 1         | PLUG 1/4" BSP                                                    |
| 14   | 14098600 | 1         | HYD. BLOCK SPC/FTZ 3/4" 2010                                     |
| 15   | 75083900 | 1         | SEAL KIT F. 782129/78215500<br>* UNIVERSAL KIT FOR VALVE OR PLUG |
| 16   | 70084403 | 1         | HYD. BLOCK, 5P, FOLD/FLOW                                        |
| 17   | 78215500 | 1         | HY SOLENOID VALVE 40L<br>3/4"NC                                  |
| 18   | 78216800 | 1         | FLOW REGULATING VALVE, 3/4"                                      |
| 19   | 78217800 | 1         | MAGNET VLV.MD1L-S3/10N-D12K8DT                                   |
| 20   | 78602100 | 1         | MAGNET M.AMP/DIODE KIT 08                                        |



**C0610**

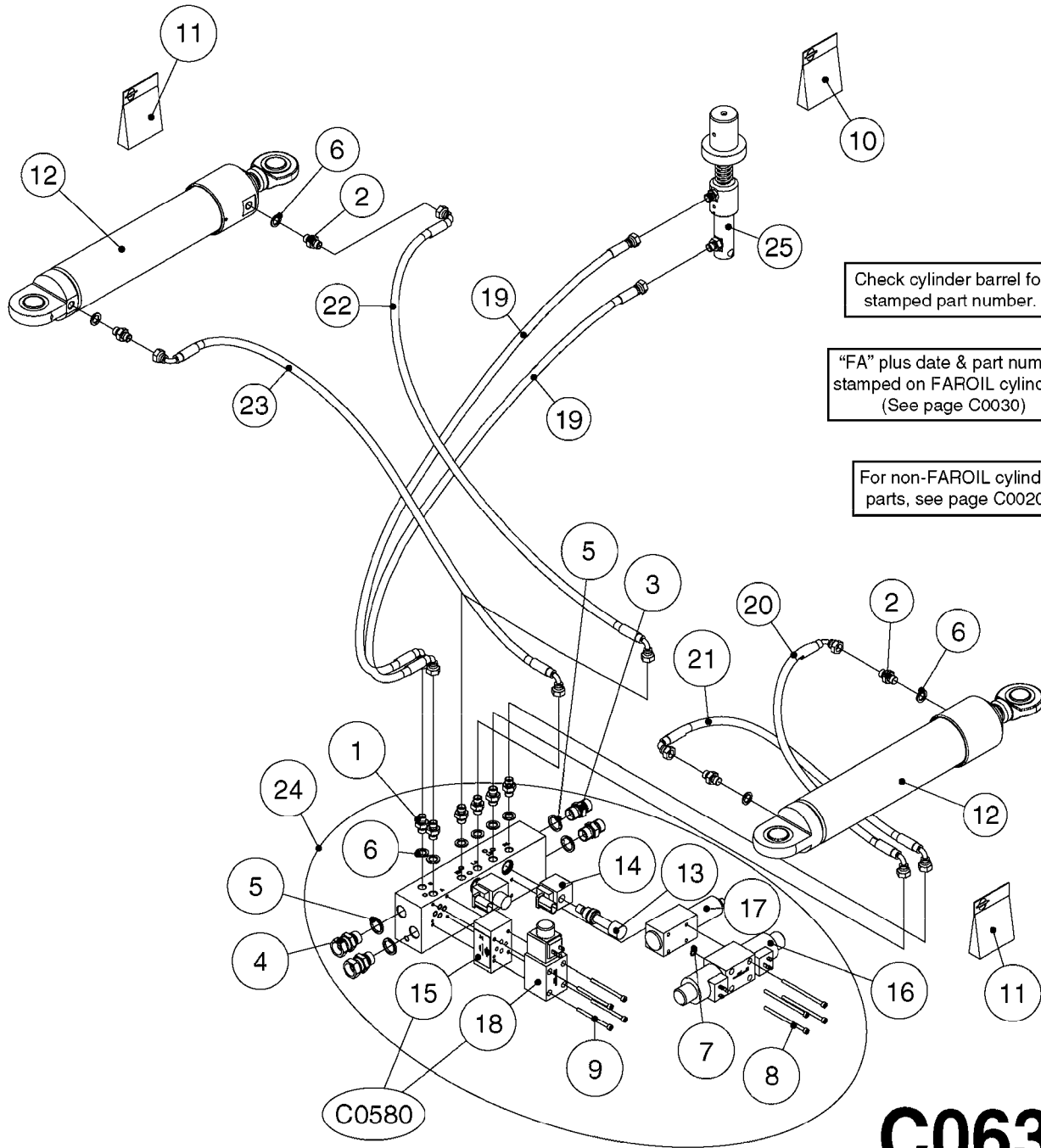


BASIC HYDRAULICS NCM 4400/6600  
C0610-HIN, 01:01:16

Page 1

Date 16.03.2016 13:54

| Pos. | parts-n° | order qty | description                                               |
|------|----------|-----------|-----------------------------------------------------------|
| 1    | 146845   | 1         | HEX NIPPLE 1/4"X1/4"                                      |
| 2    | 146850   | 1         | HEX NIPPLE 3/8"x3/8" - 1.8mm                              |
| 3    | 147132   | 1         | HEX NIPPLE 1/2"X1/2" BSP DEL                              |
| 4    | 230311   | 1         | QUICK COUPLING 1/2"                                       |
| 5    | 231924   | 1         | PLUG 3/8"                                                 |
| 6    | 232057   | 1         | T-PIECE 3/8" BSP HY.                                      |
| 7    | 240866   | 1         | DOWTYSEAL 3/8"                                            |
| 8    | 241356   | 1         | DOWTYSEAL 1/2"                                            |
| 9    | 241404   | 1         | DOWTY SEAL 1/4"                                           |
| 10   | 284020   | 1         | HYD.HOSE-3/8-L=900-STR/ELB                                |
| 11   | 284265   | 1         | PLUG BREATHER 1/4" F/CYLINDER                             |
| 12   | 334206   | 1         | DUST HOOD FOR HY-COUPLING                                 |
| 13   | 341333   | 1         | TUBE Ø57/Ø52 L=1500 BLACK PE                              |
| 14   | 782062   | 1         | NON-RETURN VALVE UTV 3/8"                                 |
| 15   | 782129   | 1         | SOLENOID VALVE 25L, 3/4"NC                                |
| 16   | 782135   | 1         | SOLENOID W. AMP F.VALVE 782129                            |
| 17   | 784016   | 1         | HYDRAULIC HOSE 1/4' - 4200MM                              |
| 18   | 784033   | 1         | HOSE HY X 1/4" X 61.0"STR+ELB                             |
| 19   | 784151   | 1         | HOSE HY 1/4<br>3/8 OML X 79" S+E                          |
| 19   | 784152   | 1         | HOSE HY 1/4<br>3/8 OML X 106" S+E                         |
| 20   | 784161   | 1         | HOSE HY X 1/4 X 59" STR+STR                               |
| 21   | 14010400 | 1         | PLUG 1/4" BSP                                             |
| 22   | 28052100 | 1         | HOSE HY X 1/2" X 122.0"STR+STR                            |
| 23   | 28053600 | 1         | HOSE HY X 1/2" X 100.4"STR+ELB                            |
| 24   | 28117300 | 1         | SEAL KIT 78120600/07/43                                   |
| 25   | 70078103 | 1         | HYD. BLOCK COMP. PARA-LIFT 1.8                            |
| 26   | 72531000 | 1         | CYL. D25/12-50/78124200 W/FITT                            |
| 27   | 75074800 | 1         | SEAL KIT 78123400/42                                      |
| 28   | 78120600 | 1         | CYLINDER 60/25 X 662 NAV PAR L<br>CYLINDER FOR LEFT SIDE  |
| 28   | 78125500 | 1         | CYLINDER 60/25 X 662 NAV PAR R<br>CYLINDER FOR RIGHT SIDE |



Check cylinder barrel for stamped part number.

"FA" plus date & part number stamped on FAROIL cylinders. (See page C0030)

For non-FAROIL cylinder parts, see page C0020.

C0580

**C0630**



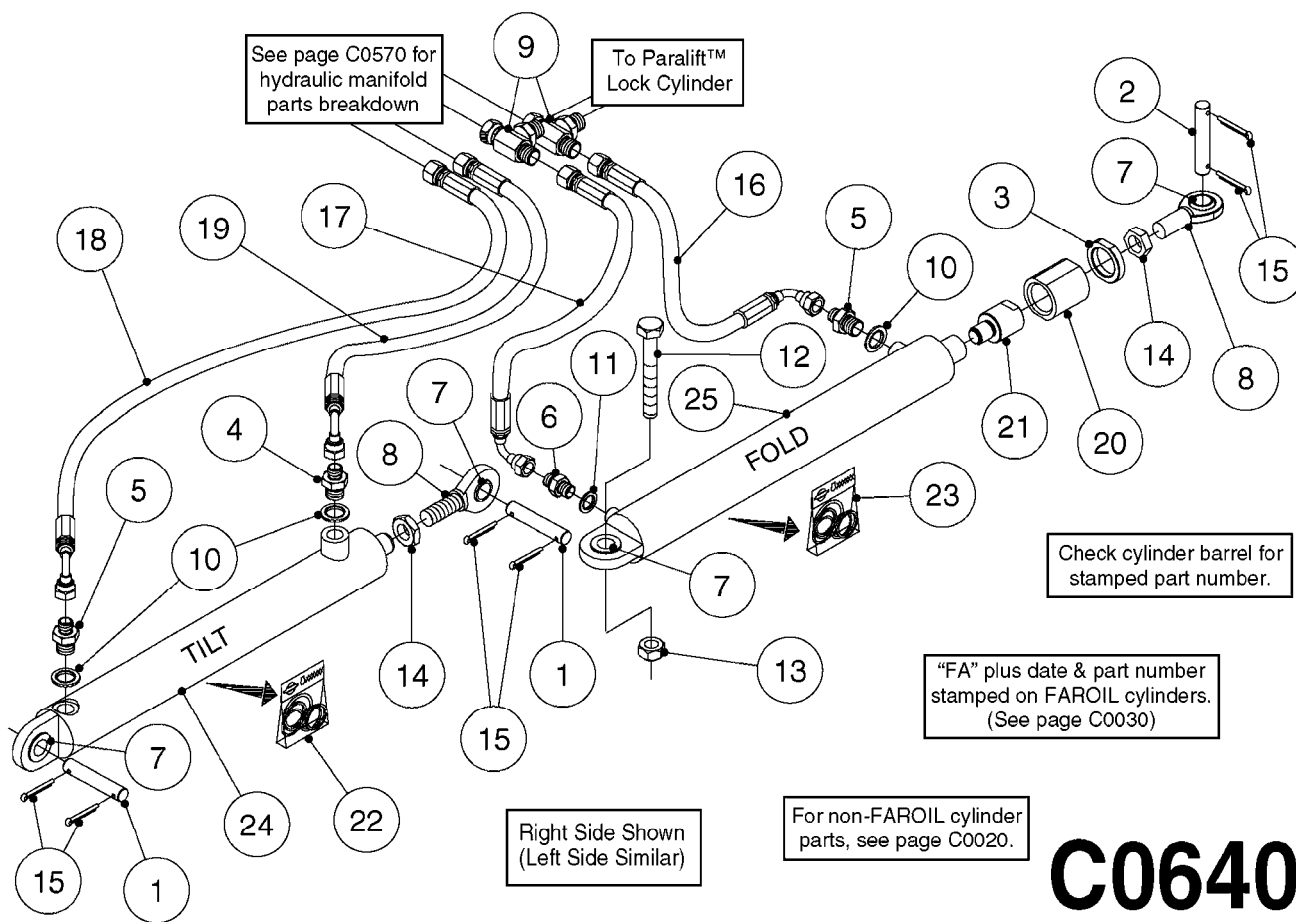
TRACK HYDRAULICS NCM 4400/6600  
C0630-HIN, 01:01:16

Page 1

Date 16.03.2016 13:54

| Pos. | parts-n° | order qty | description                                             |
|------|----------|-----------|---------------------------------------------------------|
| 1    | 146845   | 1         | HEX NIPPLE 1/4"x1/4"                                    |
| 2    | 146851   | 1         | HEX NIPPLE 1/4"x1/4" 0.7MM                              |
| 3    | 147132   | 1         | HEX NIPPLE 1/2"x1/2" BSP DEL                            |
| 4    | 232289   | 1         | NIPPLE 1/2" W. 1/2" UNION DEL                           |
| 5    | 241356   | 1         | DOWTYSEAL 1/2"                                          |
| 6    | 241404   | 1         | DOWTY SEAL 1/4"                                         |
| 7    | 242102   | 1         | O-RING Ø9.25X1.78 NITRIL 90SH                           |
| 8    | 450952   | 1         | SCREW M5 X 90 10.9                                      |
| 9    | 450965   | 1         | SCREW ROUND M5X70                                       |
| 10   | 750250   | 1         | SEAL KIT F.HY CYL.781039                                |
| 11   | 75075500 | 1         | SEAL KIT 78121000/33/41/51/53                           |
| 12   | 78123300 | 1         | DBL CYL D70/40-320 AIR INLET L<br>NCM 4400 - LEFT SIDE  |
| 12   | 78124100 | 1         | CYL DOB.D70/40-265 AIR INLET R<br>NCM 6600 - RIGHT SIDE |
| 12   | 78125100 | 1         | DBL CYL D70/40-320 AIR INLET R<br>NCM 4400 - RIGHT SIDE |
| 12   | 78125300 | 1         | CYL DOB.D70/40-265 AIR INLET L<br>NCM 6600 - LEFT SIDE  |
| 13   | 782129   | 1         | SOLENOID VALVE 25L, 3/4"NC                              |
| 14   | 782135   | 1         | SOLENOID W. AMP F.VALVE 782129                          |
| 15   | 782146   | 1         | HYD. CHECK VALVE 1 WAY                                  |
| 16   | 782151   | 1         | MAGNET V PLUG DSE3-C26/10N-D12                          |
| 17   | 782152   | 1         | 2 WAY MODULAR COMPENSATOR                               |
| 18   | 782829   | 1         | SOLENOID MD1L-TA/10N-D12K1/DT                           |
| 19   | 784005   | 1         | HOSE HY X 1/4 X 037.38"STR+ELB                          |
| 20   | 784155   | 1         | HOSE HY 1/4 X 17" ELB+ELB 90°                           |
| 21   | 784156   | 1         | HOSE HY 1/4 X 17" ELB+ELB 270°                          |
| 22   | 784157   | 1         | HOSE HY 1/4 X 32" ELB+ELB 90°                           |
| 23   | 784158   | 1         | HOSE HY 1/4 X 32" ELB+ELB 270°                          |
| 24   | 72290400 | 1         | HYD. BLK COMP STEERING CM "05                           |
| 25   | 72320300 | 1         | HYD. CYL. STEERING LOCK CM "05                          |







HYD EAGLE HZ SPC 80'-100'  
C0640-HIN, 01:01:16

Page 1

Date 16.03.2016 13:54

| Pos. | parts-n° | order qty | description                         |
|------|----------|-----------|-------------------------------------|
| 1    | 146450   | 1         | PIN D19.8 X 75 WITH 2 X D5          |
| 2    | 146589   | 1         | PIN D19.8 X 65                      |
| 3    | 146672   | 1         | NUT HEX LOCK F.ADJUSTER             |
| 4    | 146835   | 1         | HEX NIPPLE 1/4" - 3/8" BSP          |
| 5    | 146839   | 1         | HEX NIPPLE 1/4"X3/8" BSP 0.7MM      |
| 6    | 146845   | 1         | HEX NIPPLE 1/4"X1/4"                |
| 7    | 210730   | 1         | BEARING F.LINK HEAD M20             |
| 8    | 210881   | 1         | LINK HEAD GAR 20 DO                 |
| 9    | 232109   | 1         | FITT.HY TEE 1/4'BSP UNION           |
| 10   | 240866   | 1         | DOWTYSEAL 3/8"                      |
| 11   | 241404   | 1         | DOWTY SEAL 1/4"                     |
| 12   | 430910   | 1         | BOLT HEX 8.8 DEL M20X110            |
| 13   | 460806   | 1         | NUT HEX M20X2.5 LOCK                |
| 14   | 461200   | 1         | NUT HEX M20X1.5 JAMB.               |
| 15   | 480384   | 1         | PIN COTTER 3/16 x 1-1/2"            |
| 16   | 784008   | 1         | HOSE HY X 1/4" X 98.4"STR+ELB       |
| 17   | 784025   | 1         | HOSE HY X 1/4" x 86.6"STR+ELB       |
| 18   | 784072   | 1         | HOSE, HY. 1/4" L=2000<br>E-E A=270° |
| 19   | 784073   | 1         | HOSE, HY. 1/4" L=2300<br>E-E A=270° |
| 20   | 14023000 | 1         | BUSHING Ø50.0/36.0 L=52 DEL         |
| 21   | 14031800 | 1         | ADAPTOR F.HY CYLINDER L=40          |
| 22   | 75074400 | 1         | SEAL KIT 78121800/21/44             |
| 23   | 75074600 | 1         | SEAL KIT 78120500/49                |
| 24   | 78122100 | 1         | CYLINDER DOUBLE D50/25-298          |
| 25   | 78128000 | 1         | CYLINDER DOUB. D60/30 L=300 09      |

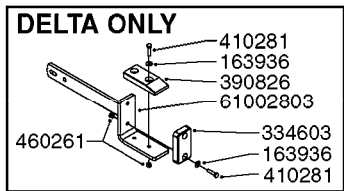
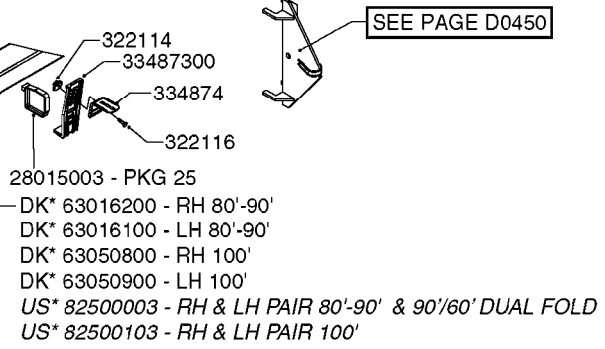
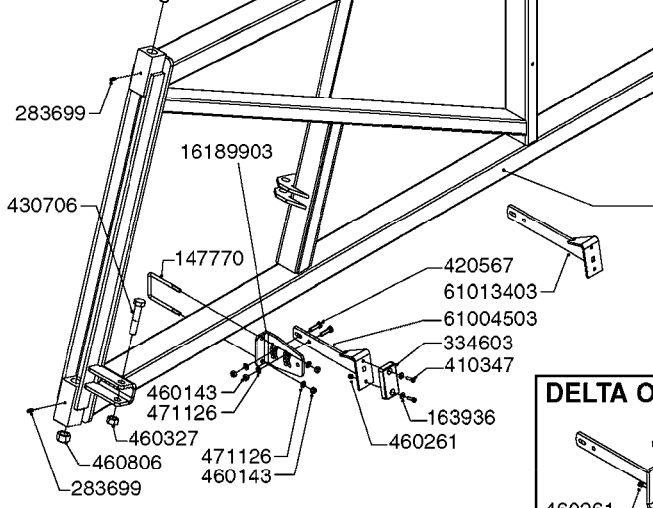
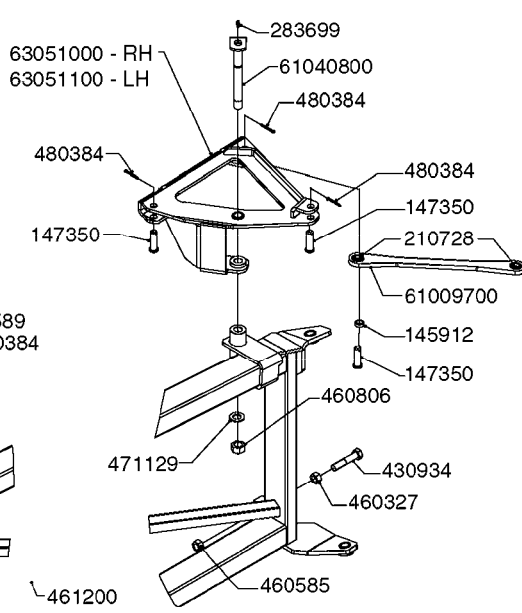
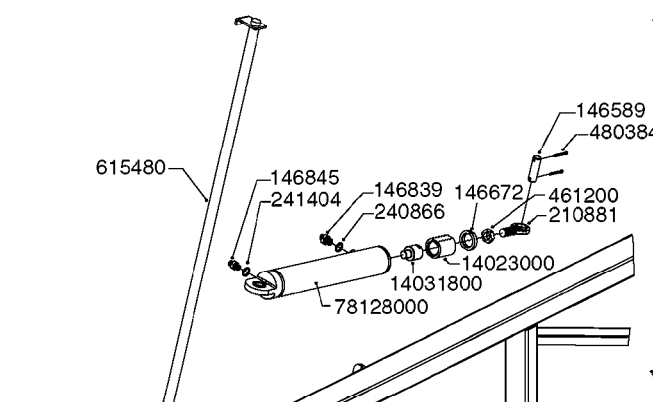
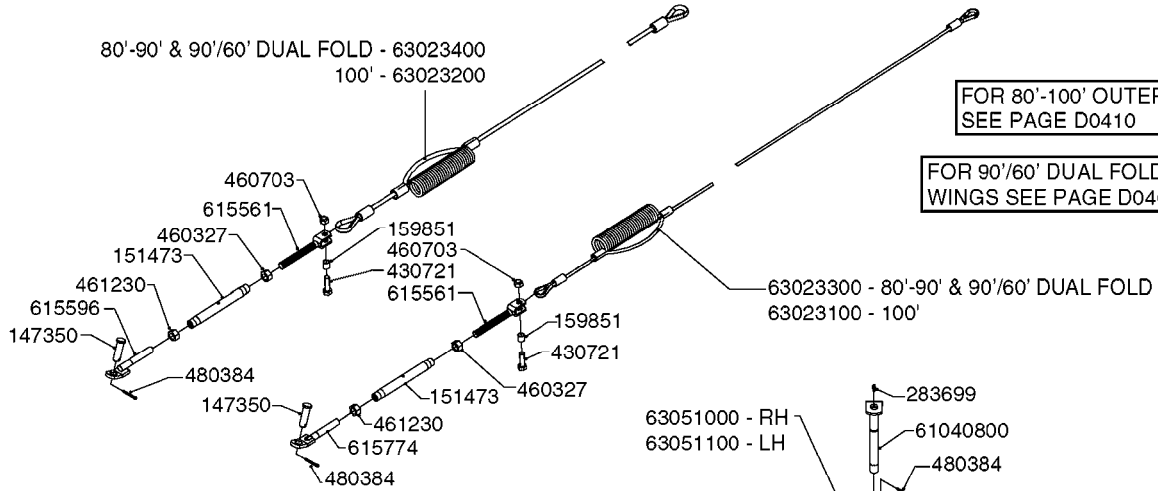




BOOM SPC PARAL.CTR.80-100' DK  
D0390-HIN, 01:01:16

Page 1  
Date 16.03.2016 13:54

| parts-n° | order qty | description                      |
|----------|-----------|----------------------------------|
| 146450   | 1         | PIN D19.8 X 75 WITH 2 X D5       |
| 146738   | 1         | PIN FOR CENTER CABLE EAGLE       |
| 147099   | 1         | CLEVIS F.TILT ARM                |
| 147100   | 1         | ROD F.TILT 80/90'                |
| 147350   | 1         | PIN D16.8 L60MM                  |
| 160640   | 1         | U CHANNEL 80/90'                 |
| 160677   | 1         | NOZZLE TRACK 80/90'              |
| 172729   | 1         | BRACKET F.NOZ.TRACK 80/90'       |
| 210835   | 1         | BUSHING D28/25 L=25              |
| 220859   | 1         | SPRING COIL 80/90' EAGLE         |
| 242458   | 1         | BUSHING RUBBER DAMPER SPC EAG.   |
| 281912   | 1         | GRILLETE M-10 INOX.480 KG        |
| 283699   | 1         | GREASE NIPPLE M6X1               |
| 284552   | 1         | SHOCK ABSORBER F.EAGLE BOOM      |
| 284645   | 1         | PLUG 60x60x2                     |
| 334135   | 1         | SLIDE SHOE 140X45X15             |
| 334561   | 1         | PLUG 50x50x2 F.SQ.TUBE           |
| 390465   | 1         | JOINER BLOCK TRAPEEZE EAGLE      |
| 410185   | 1         | BOLT HEX 8.8 DEL M6X16 A2        |
| 410281   | 1         | BOLT HEX 8.8 DEL M6X25 DIN933 A2 |
| 420567   | 1         | BOLT HEX 8.8 DEL M8X30 FT        |
| 430323   | 1         | BOLT HEX 8.8 DEL M12X60          |
| 430684   | 1         | BOLT HEX 8.8 DEL M16X30 FT       |
| 430846   | 1         | BOLT HEX 8.8 DEL M12X80          |
| 430884   | 1         | BOLT HEX 8.8 DEL M16X160         |
| 430910   | 1         | BOLT HEX 8.8 DEL M20X110         |
| 430935   | 1         | BOLT HEX 8.8 DEL M16X130         |
| 440708   | 1         | SCREW M5.5X16 SELF TAPPING SS    |
| 460261   | 1         | NUT HEX M6X1 LOCK A2 DIN985      |
| 460423   | 1         | NUT HEX M10X1.5 LOCK             |
| 460585   | 1         | NUT HEX M16X2 LOCK               |
| 460703   | 1         | NUT HEX M12X1.75 LOCK DIN985     |
| 460806   | 1         | NUT HEX M20X2.5 LOCK             |
| 461249   | 1         | NUT HEX M22X1.5                  |
| 471127   | 1         | WASHER, M12, Ø24/13.0X 2.5, SS   |
| 480384   | 1         | PIN COTTER 3/16 x 1-1/2"         |
| 615213   | 1         | PIN D22 X 70 LUBED F.EAGLE       |
| 615477   | 1         | PIN F.HINGE 80/90'               |
| 615497   | 1         | PIN D22 X 159 LUBED F.EAGLE      |
| 615654   | 1         | PIN D25 X 123 F. PARALIFT        |
| 615662   | 1         | SAFETY BAR F. TILT 80-90'        |
| 636012   | 1         | CABLE,CENTER 80/90 7mm X 870mm   |
| 637461   | 1         | CABLE CENTER 80/90' 7mm x935mm   |
| 16056900 | 1         | PLATE SPC EAGLE 80-100           |
| 16169403 | 1         | CENTER TRACK, SPC, 75-90' T25    |
| 22000403 | 1         | SPRING SPC 100' CENTER SECTION   |
| 24262900 | 1         | RUBBER STOP D50X40 M10X33        |
| 61010100 | 1         | TRAPEZE ARM SPC 80-100           |
| 61010200 | 1         | SPRING CAP SPC 80-100            |
| 63010700 | 1         | LIFT FRAME SPC EAG 80-100        |
| 63021600 | 1         | SUSPENSION ARM SPC 80-100        |
| 63021800 | 1         | SUSPENSION ARM SPC 80-100        |
| 63051300 | 1         | HINGE 80'-100' RH / SPC 05       |
| 63051400 | 1         | HINGE 80'-100' LH / SPC 05       |
| 63051500 | 1         | CENTER FRAME SPC 05              |



FOR HYDRAULIC COMPONENTS  
SEE PAGE C0390, C0400

DK\* = DENMARK STEEL PARTS  
US\* = NORTH AMERICAN STEEL PARTS

# D0400



BOOM - SPC INNER WING 80-100'  
D0400-HIN, 01:01:16

Page 1  
Date 16.03.2016 13:54

| parts-n° | order qty | description                      |
|----------|-----------|----------------------------------|
| 145912   | 1         | BUSHING D19.8/D17.0X7MM          |
| 146589   | 1         | PIN D19.8 X 65                   |
| 146672   | 1         | NUT HEX LOCK F.ADJUSTER          |
| 146839   | 1         | HEX NIPPLE 1/4"X3/8" BSP 0.7MM   |
| 146845   | 1         | HEX NIPPLE 1/4"X1/4"             |
| 147350   | 1         | PIN D16.8 L60MM                  |
| 147770   | 1         | U-BOLT M8-105X63                 |
| 151473   | 1         | TURN BUCKLE HOUSING M16-200      |
| 159851   | 1         | BUSHING Ø16.0/13.0 L=16 DEL      |
| 163936   | 1         | WASHER D15/D6.2X1                |
| 210728   | 1         | BEARING F.LINK HEAD M17          |
| 210881   | 1         | LINK HEAD GAR 20 DO              |
| 240866   | 1         | DOWTYSEAL 3/8"                   |
| 241404   | 1         | DOWTY SEAL 1/4"                  |
| 283699   | 1         | GREASE NIPPLE M6X1               |
| 322114   | 1         | NUT PLASTIC F.NOZZ.H             |
| 322116   | 1         | BOLT PLASTIC F.NOZZ.H.           |
| 334603   | 1         | RUBBER STOP 86X48X15             |
| 334874   | 1         | NOZZLE HOLDER - TOP HALF         |
| 390826   | 1         | SLIDE PAD F.TRANSPORT BKT.CM/D   |
| 410281   | 1         | BOLT HEX 8.8 DEL M6X25 DIN933 A2 |
| 410347   | 1         | SCREW M6X20 8.8                  |
| 420567   | 1         | BOLT HEX 8.8 DEL M8X30 FT        |
| 430706   | 1         | BOLT HEX 8.8 DEL M16X90          |
| 430721   | 1         | BOLT HEX 8.8 DEL M12X40 FT       |
| 430934   | 1         | BOLT HEX 8.8 DEL M16X80          |
| 460143   | 1         | NUT HEX M8 LOCK A2 DIN985        |
| 460261   | 1         | NUT HEX M6X1 LOCK A2 DIN985      |
| 460327   | 1         | NUT HEX M16X2                    |
| 460585   | 1         | NUT HEX M16X2 LOCK               |
| 460703   | 1         | NUT HEX M12X1.75 LOCK DIN985     |
| 460806   | 1         | NUT HEX M20X2.5 LOCK             |
| 461200   | 1         | NUT HEX M20X1.5 JAMB.            |
| 461230   | 1         | NUT HEX M16X2 LH THREAD          |
| 471126   | 1         | WASHER, M8, Ø16/ 8.4X 1.6, SS    |
| 471129   | 1         | WASHER, M20, Ø37/21.0X 3.0, SS   |
| 480384   | 1         | PIN COTTER 3/16 x 1-1/2"         |
| 615480   | 1         | PIN F.HINGE ASSY.                |
| 615561   | 1         | CLEVIS F.TURNBUCKLE M16 RH       |
| 615596   | 1         | TURN BUCKLE ANCHOR M16 LH        |
| 615774   | 1         | ANCHOR LH F.M16 TURNBUCKLE       |
| 14023000 | 1         | BUSHING Ø50.0/36.0 L=52 DEL      |
| 14031800 | 1         | ADAPTOR F.HY CYLINDER L=40       |
| 16189903 | 1         | PLATE F, EAGLE STOPARM           |
| 28015003 | 1         | PANDUIT TIE STRAP, PKG. 25       |
| 33487300 | 1         | NOZZLE HOLDER - BOTTOM HALF      |
| 61002803 | 1         | TRANSPORT STOP DELTA-SPC         |
| 61004503 | 1         | BOOM STOP SPB/SPC                |
| 61009700 | 1         | FOLDING ARM / SPC                |
| 61013403 | 1         | BOOM STOP LONG SPC               |
| 61040800 | 1         | PIN THREADED D20 L=205 DELTA     |
| 63016100 | 1         | WING INNER 80'-90'LH SPC 2007    |
| 63016200 | 1         | WING INNER 80'-90'RH SPC 2007    |
| 63023100 | 1         | CABLE Ø7 X 5280 / SPC            |
| 63023200 | 1         | CABLE Ø10 X 5180 / SPC           |
| 63023300 | 1         | CABLE Ø7 X 4780 / SPC            |
| 63023400 | 1         | CABLE Ø10 X 4650 / SPC           |
| 63050800 | 1         | WING INNER RH 100' SPC 05        |
| 63050900 | 1         | WING INNER LH 100' SPC 05        |
| 63051000 | 1         | FOLD MECHANISM R.H. SPC 05       |
| 63051100 | 1         | FOLD MECHANISM L.H. SPC 05       |

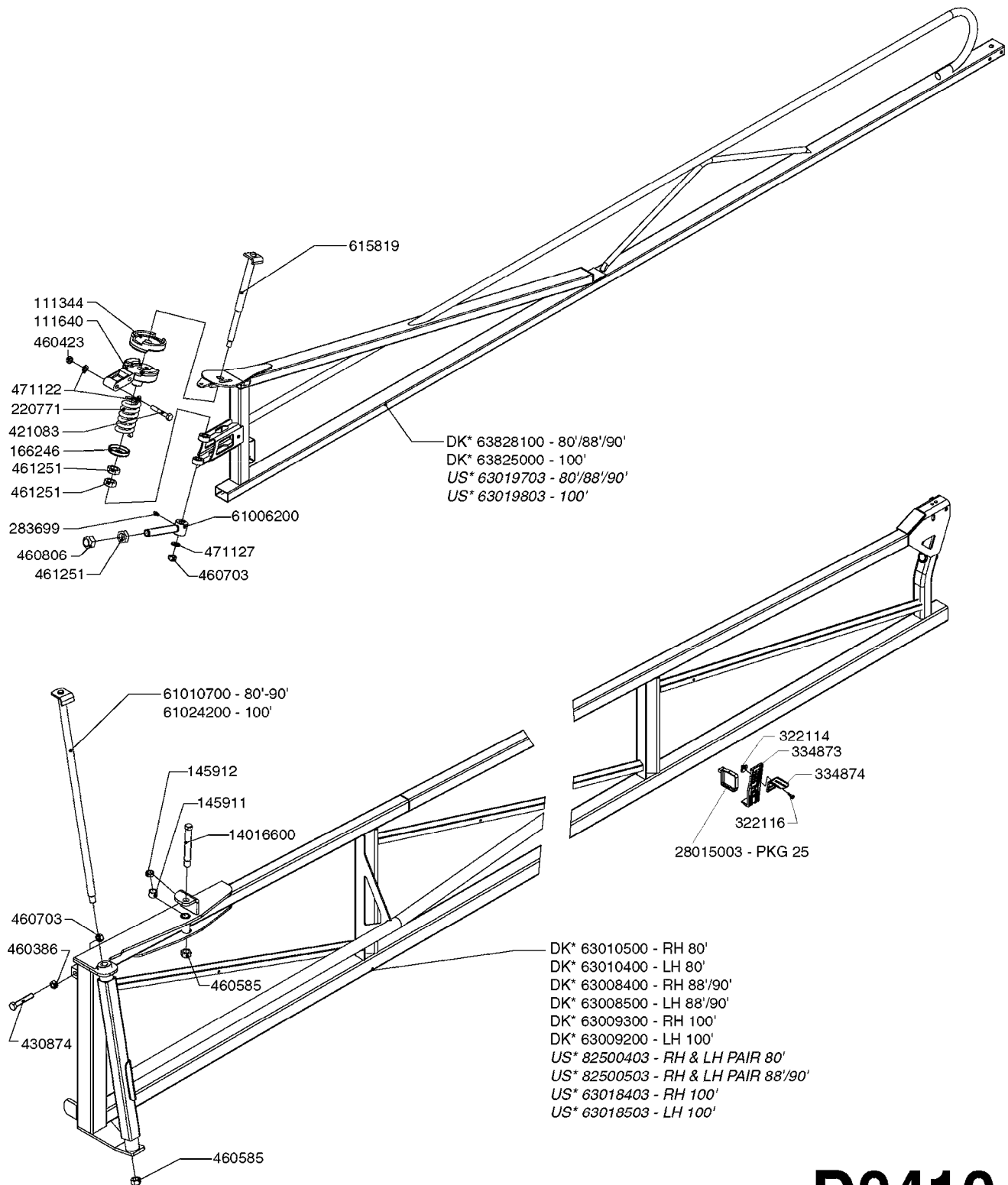


BOOM - SPC INNER WING 80-100'  
D0400-HIN, 01:01:16

Page 2

Date 16.03.2016 13:54

| parts-n° | order qty | description                    |
|----------|-----------|--------------------------------|
| 78128000 | 1         | CYLINDER DOUB. D60/30 L=300 09 |
| 82500003 | 1         | WING INNER SET FPS SPC 80-90'  |
| 82500103 | 1         | WING INNER SET FPS SPC 100'    |



DK\* = DENMARK STEEL PARTS  
US\* = NORTH AMERICAN STEEL PARTS

**D0410**



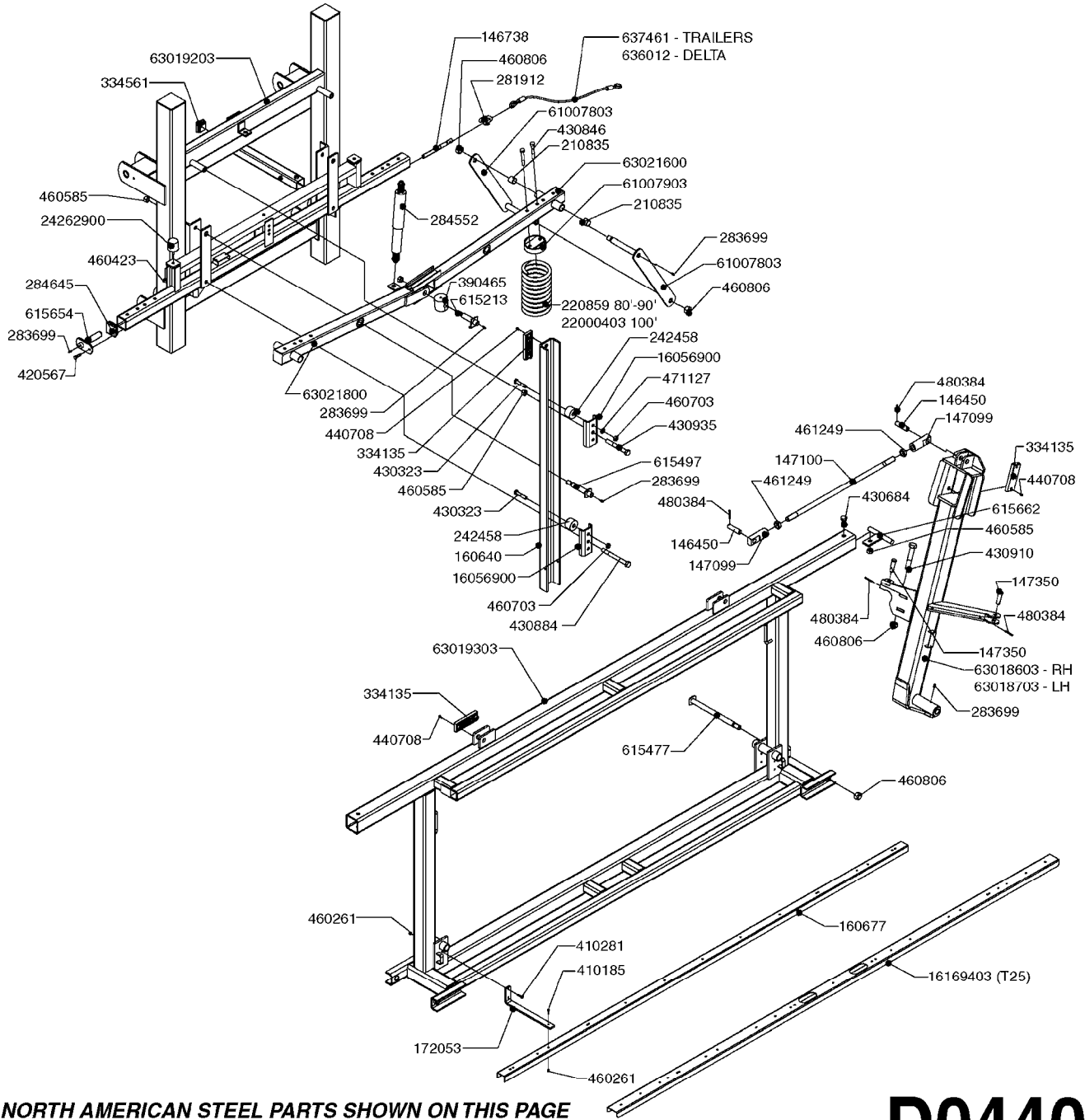


BOOM - SPC OUTER WING 80-100'  
D0410-HIN, 01:01:16

Page 1

Date 16.03.2016 13:54

| parts-n° | order qty | description                    |
|----------|-----------|--------------------------------|
| 111344   | 1         | CLAW CLUTCH LOWER (21MM)       |
| 111640   | 1         | CLAW CLUTCH MOVING PART D100   |
| 145911   | 1         | BUSHING FOR HY CYL 21M LZ      |
| 145912   | 1         | BUSHING D19.8/D17.0X7MM        |
| 166246   | 1         | WASHER CUP D53 F.SPRING        |
| 220771   | 1         | SPRING D53/D43X100             |
| 283699   | 1         | GREASE NIPPLE M6X1             |
| 322114   | 1         | NUT PLASTIC F.NOZZ.H           |
| 322116   | 1         | BOLT PLASTIC F.NOZZ.H.         |
| 334873   | 1         | NOZZLE HOLDER - BOTTOM HALF    |
| 334874   | 1         | NOZZLE HOLDER - TOP HALF       |
| 421083   | 1         | BOLT HEX 8.8 DEL M10X65        |
| 430874   | 1         | SCREW SET 8.8 DEL M12X70 FT    |
| 460386   | 1         | NUT HEX M12X1.75               |
| 460423   | 1         | NUT HEX M10X1.5 LOCK           |
| 460585   | 1         | NUT HEX M16X2 LOCK             |
| 460703   | 1         | NUT HEX M12X1.75 LOCK DIN985   |
| 460806   | 1         | NUT HEX M20X2.5 LOCK           |
| 461251   | 1         | NUT HEX M20 X 2.5 JAMB         |
| 471122   | 1         | WASHER, M10, Ø20/10.5X 2.0, SS |
| 471127   | 1         | WASHER, M12, Ø24/13.0X 2.5, SS |
| 615819   | 1         | PIN                            |
| 14016600 | 1         | PIN F. LINK ARM / SPC          |
| 28015003 | 1         | PANDUIT TIE STRAP, PKG. 25     |
| 61006200 | 1         | ADJ. ARM F.BREAKAWAY FTZ       |
| 61010700 | 1         | PIN F.HINGE 80-90'/SPC L=664   |
| 61024200 | 1         | PIN F. PIVOT HINGE 100'/SPC    |
| 63008400 | 1         | OUTERWING 90' RH / SPC         |
| 63008500 | 1         | OUTERWING 90' LH / SPC         |
| 63009200 | 1         | OUTERWING 100' LH / SPC        |
| 63009300 | 1         | OUTERWING 100' RH / SPC        |
| 63010400 | 1         | OUTERWING 80' LH / SPC         |
| 63010500 | 1         | OUTERWING 80' RH / SPC         |
| 63018403 | 1         | WING OUTER RH 100' SPC         |
| 63018503 | 1         | WING OUTER LH 100' SPC         |
| 63019703 | 1         | BREAKAWAY 2.5M SPC/FTZ         |
| 63019803 | 1         | BREAKAWAY 3M SPC/FTZ           |
| 63828100 | 1         | BREAKAWAY FTZ/SPC 2.5M, RED    |
| 63825000 | 1         | BREAKAWAY FTZ/SPC 3.0M, RED    |
| 82500403 | 1         | WING OUTER SET FPS 80' SPC     |
| 82500503 | 1         | WING OUTER SET FPS 88-90' SPC  |



**NORTH AMERICAN STEEL PARTS SHOWN ON THIS PAGE  
FOR DENMARK STEEL PARTS, SEE PAGE D0390**

**D0440**

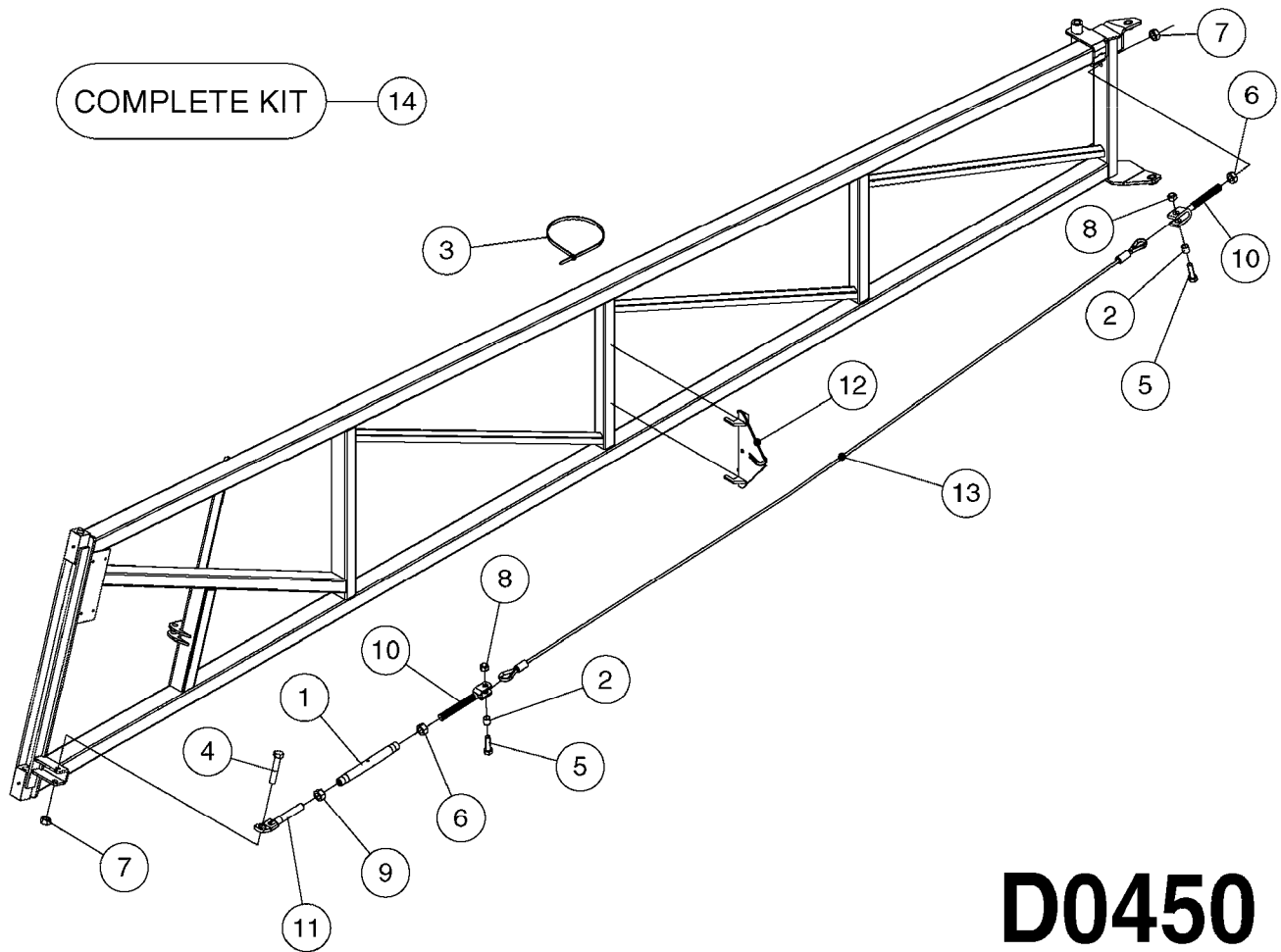


BOOM SPC PARAL.CTR.80-100' US  
D0440-HIN, 01:01:16

Page 1

Date 16.03.2016 13:54

| parts-n° | order qty | description                      |
|----------|-----------|----------------------------------|
| 146450   | 1         | PIN D19.8 X 75 WITH 2 X D5       |
| 146738   | 1         | PIN FOR CENTER CABLE EAGLE       |
| 147099   | 1         | CLEVIS F.TILT ARM                |
| 147100   | 1         | ROD F.TILT 80/90'                |
| 147350   | 1         | PIN D16.8 L60MM                  |
| 160640   | 1         | U CHANNEL 80/90'                 |
| 160677   | 1         | NOZZLE TRACK 80/90'              |
| 172053   | 1         | NOZZLE TRACK HOLDER              |
| 210835   | 1         | BUSHING D28/25 L=25              |
| 220859   | 1         | SPRING COIL 80/90' EAGLE         |
| 242458   | 1         | BUSHING RUBBER DAMPER SPC EAG.   |
| 281912   | 1         | GRILLETE M-10 INOX.480 KG        |
| 283699   | 1         | GREASE NIPPLE M6X1               |
| 284552   | 1         | SHOCK ABSORBER F.EAGLE BOOM      |
| 284645   | 1         | PLUG 60x60x2                     |
| 334135   | 1         | SLIDE SHOE 140X45X15             |
| 334561   | 1         | PLUG 50x50x2 F.SQ.TUBE           |
| 390465   | 1         | JOINER BLOCK TRAPEEZE EAGLE      |
| 410185   | 1         | BOLT HEX 8.8 DEL M6X16 A2        |
| 410281   | 1         | BOLT HEX 8.8 DEL M6X25 DIN933 A2 |
| 420567   | 1         | BOLT HEX 8.8 DEL M8X30 FT        |
| 430323   | 1         | BOLT HEX 8.8 DEL M12X60          |
| 430684   | 1         | BOLT HEX 8.8 DEL M16X30 FT       |
| 430846   | 1         | BOLT HEX 8.8 DEL M12X80          |
| 430884   | 1         | BOLT HEX 8.8 DEL M16X160         |
| 430910   | 1         | BOLT HEX 8.8 DEL M20X110         |
| 430935   | 1         | BOLT HEX 8.8 DEL M16X130         |
| 440708   | 1         | SCREW M5.5X16 SELF TAPPING SS    |
| 460261   | 1         | NUT HEX M6X1 LOCK A2 DIN985      |
| 460423   | 1         | NUT HEX M10X1.5 LOCK             |
| 460585   | 1         | NUT HEX M16X2 LOCK               |
| 460703   | 1         | NUT HEX M12X1.75 LOCK DIN985     |
| 460806   | 1         | NUT HEX M20X2.5 LOCK             |
| 461249   | 1         | NUT HEX M22X1.5                  |
| 471127   | 1         | WASHER, M12, Ø24/13.0X 2.5, SS   |
| 480384   | 1         | PIN COTTER 3/16 x 1-1/2"         |
| 615213   | 1         | PIN D22 X 70 LUBED F.EAGLE       |
| 615477   | 1         | PIN F.HINGE 80/90'               |
| 615497   | 1         | PIN D22 X 159 LUBED F.EAGLE      |
| 615654   | 1         | PIN D25 X 123 F. PARALIFT        |
| 615662   | 1         | SAFETY BAR F.TILT 80-90'         |
| 636012   | 1         | CABLE,CENTER 80/90 7mm X 870mm   |
| 637461   | 1         | CABLE CENTER 80/90' 7mm x935mm   |
| 16056900 | 1         | PLATE SPC EAGLE 80-100           |
| 16169403 | 1         | CENTER TRACK, SPC, 75-90' T25    |
| 22000403 | 1         | SPRING SPC 100' CENTER SECTION   |
| 24262900 | 1         | RUBBER STOP D50X40 M10X33        |
| 61007803 | 1         | TRAPEZE BAR SPC CENTER           |
| 61007903 | 1         | SPRING BASE SPC CENTER           |
| 63018603 | 1         | HINGE 80'-100' RH / SPC          |
| 63018703 | 1         | HINGE 80'-100' LH / SPC          |
| 63019203 | 1         | PARA-LIFT LIFT CENTER SPC        |
| 63019303 | 1         | CENTER FRAME SPC                 |
| 63021600 | 1         | SUSPENSION ARM SPC 80-100        |
| 63021800 | 1         | SUSPENSION ARM SPC 80-100        |



**D0450**

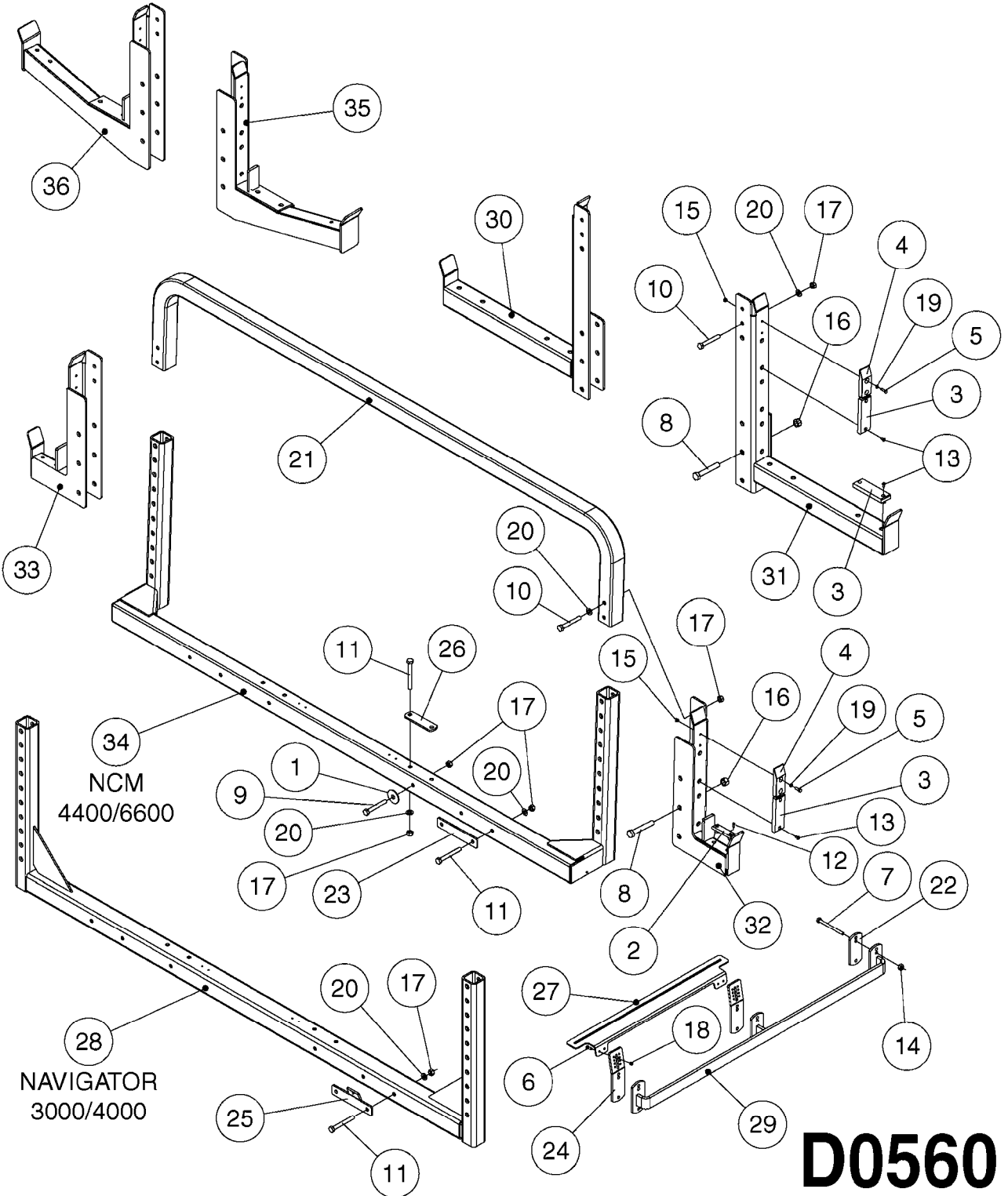


BOOM CABLE KIT SPC 80'-90'  
D0450-HIN, 01:01:16

Page 1

Date 16.03.2016 13:54

| Pos. | parts-n° | order qty | description                   |
|------|----------|-----------|-------------------------------|
| 1    | 151473   | 1         | TURN BUCKLE HOUSING M16-200   |
| 2    | 159851   | 1         | BUSHING Ø16.0/13.0 L=16 DEL   |
| 3    | 28025203 | 1         | TIE STRAP L=23" x W=1/2"      |
| 4    | 430706   | 1         | BOLT HEX 8.8 DEL M16X90       |
| 5    | 430721   | 1         | BOLT HEX 8.8 DEL M12X40 FT    |
| 6    | 460327   | 1         | NUT HEX M16X2                 |
| 7    | 460585   | 1         | NUT HEX M16X2 LOCK            |
| 8    | 460703   | 1         | NUT HEX M12X1.75 LOCK DIN985  |
| 9    | 461230   | 1         | NUT HEX M16X2 LH THREAD       |
| 10   | 615561   | 1         | CLEVIS F.TURNUCKLE M16 RH     |
| 11   | 615774   | 1         | ANCHOR LH F.M16 TURNUCKLE     |
| 12   | 63028603 | 1         | BRACE, CABLE INNER SPC        |
| 13   | 63028703 | 1         | CABLE Ø10 X 4750 / SPC        |
| 14   | 83347603 | 1         | SPC 80-90 CABLE KIT, IN-FIELD |





TRANSPORT BKTS - NCM/NAVIGATOR  
D0560-HIN, 01:01:16

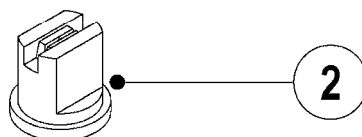
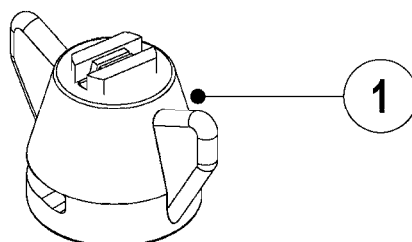
Page 1

Date 16.03.2016 13:54

| Pos. | parts-n° | order qty | description                                           |
|------|----------|-----------|-------------------------------------------------------|
| 1    | 163074   | 1         | WASHER D54/D17X3                                      |
| 2    | 333956   | 1         | SLIDE SHOE 91X25X10                                   |
| 23   | 16118303 | 1         | PLATE F. CM9000 TRANSPORT<br>NCM 9000                 |
| 3    | 334135   | 1         | SLIDE SHOE 140X45X15                                  |
| 4    | 390826   | 1         | SLIDE PAD F.TRANSPORT BKT.CM/D                        |
| 5    | 410362   | 1         | BOLT HEX 8.8 SS M6X20 FT                              |
| 6    | 410406   | 1         | BOLT HEX 8.8 DEL M5X16 FT                             |
| 7    | 421232   | 1         | BOLT HEX 8.8 DEL M8X110                               |
| 8    | 430264   | 1         | BOLT HEX 8.8 DEL M16X100                              |
| 9    | 430367   | 1         | BOLT HEX 8.8 DEL M12X100 DIN931                       |
| 10   | 430485   | 1         | BOLT HEX 8.8 DEL M12X90                               |
| 11   | 430892   | 1         | BOLT HEX 8.8 DEL M12X110                              |
| 12   | 440665   | 1         | SCREW M4.2X16 STAINLESS                               |
| 13   | 440708   | 1         | SCREW M5.5X16 SELF TAPPING SS                         |
| 14   | 460143   | 1         | NUT HEX M8 LOCK A2 DIN985                             |
| 15   | 460261   | 1         | NUT HEX M6X1 LOCK A2 DIN985                           |
| 16   | 460585   | 1         | NUT HEX M16X2 LOCK                                    |
| 17   | 460703   | 1         | NUT HEX M12X1.75 LOCK DIN985                          |
| 18   | 461217   | 1         | NUT HEX M5 LOCK                                       |
| 19   | 471125   | 1         | WASHER, M6, Ø12/ 6.4X 1.6, SS                         |
| 20   | 471127   | 1         | WASHER, M12, Ø24/13.0X 2.5, SS                        |
| 21   | 15028703 | 1         | TRANSPORT CROSS TUBE CM4400                           |
| 22   | 16092803 | 1         | PLATE F. TRANSPORT CM+                                |
| 23   | 16101703 | 1         | PLATE 1/4"x1-1/2" L=270/2xØ13<br>NCM 4400/6600        |
| 24   | 16109303 | 1         | PLATE F. TRANSPORT REST CM                            |
| 25   | 16116703 | 1         | PLATE, S/G TUBE MT NAVIGATOR                          |
| 26   | 16138700 | 1         | PLATE F. TRANSPORT CROSS BAR                          |
| 27   | 16183403 | 1         | BRACKET, TRANSPORT BAR NOZ, RED<br>T25 NOZZLE BRACKET |
| 28   | 61010903 | 1         | TRANSPORT CROSS BAR NAVIGATOR                         |
| 29   | 61012603 | 1         | TRANSPORT REST SPC NCM 4400                           |
| 30   | 63024603 | 1         | TRANSPORT REST FTZ R.H. CM4400                        |
| 31   | 63024703 | 1         | TRANSPORT REST FTZ L.H. CM4400                        |
| 32   | 63024803 | 1         | TRANSPORT REST SPC NCM/NAV                            |
| 33   | 63024903 | 1         | TRANSPORT REST SPC NCM/NAV                            |
| 34   | 63027503 | 1         | TRANSPORT CROSS BAR NCM44/6600                        |
| 35   | 63038003 | 1         | TRANSPORT BRACKET, 120 SPC LH                         |
| 36   | 63038103 | 1         | TRANSPORT BRACKET, 120 SPC RH                         |

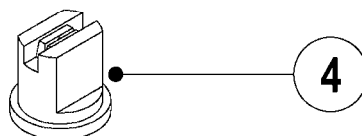
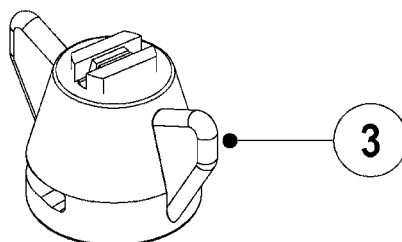


## SYNTAL



---

## CERAMIC



**D1000**





BOOM-NOZZLES 110° FLAT FAN ISO  
D1000-HIN, 01:01:16

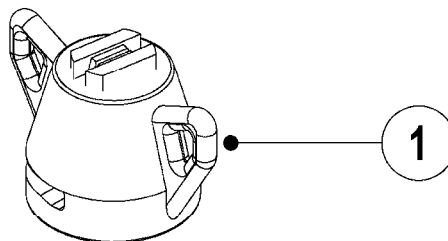
Page 1

Date 16.03.2016 13:54

| Pos. | parts-n° | order qty | description                    |
|------|----------|-----------|--------------------------------|
| 1    | 371764   | 1         | NOZZLE ISO CT F-01-110 ORANGE  |
| 1    | 371765   | 1         | NOZZLE ISO CT F-015-110 GREEN  |
| 1    | 371766   | 1         | NOZZLE ISO CT F-02-110 YELLOW  |
| 1    | 371767   | 1         | NOZZLE ISO CT F-03-110 BLUE    |
| 1    | 371768   | 1         | NOZZLE ISO CT F-04-110 RED     |
| 1    | 371769   | 1         | NOZZLE ISO CT F-05-110 BROWN   |
| 1    | 371770   | 1         | NOZZLE ISO CT F-06-110 GREY    |
| 1    | 371771   | 1         | NOZZLE ISO CT F-08-110 WHITE   |
| 1    | 371950   | 1         | NOZZLE ISO CT F-025-110 LILAC  |
| 1    | 371964   | 1         | NOZZLE ISO CT F-075-110 PINK   |
| 1    | 371970   | 1         | NOZZLE ISO CT F-10-110 LT BLUE |
| 2    | 371706   | 1         | NOZZLE ISO F-01-110 ORANGE     |
| 2    | 371707   | 1         | NOZZLE ISO F-015-110 GREEN     |
| 2    | 371708   | 1         | NOZZLE ISO F-02-110 YELLOW     |
| 2    | 371709   | 1         | NOZZLE ISO F-03-110 BLUE       |
| 2    | 371710   | 1         | NOZZLE ISO F-04-110 RED        |
| 2    | 371711   | 1         | NOZZLE ISO F-05-110 BROWN      |
| 2    | 371712   | 1         | NOZZLE ISO F-06-110 GREY       |
| 2    | 371713   | 1         | NOZZLE ISO F-08-110 WHITE      |
| 2    | 371946   | 1         | NOZZLE ISO F-025-110 LILAC     |
| 2    | 371963   | 1         | NOZZLE ISO F-075-110 PINK      |
| 2    | 371966   | 1         | NOZZLE ISO F-10-110 LT BLUE    |
| 3    | 371772   | 1         | NOZZLE ISO CT F-015-110C GREEN |
| 3    | 371773   | 1         | NOZZLE ISO CT F-02-110C YELLOW |
| 3    | 371774   | 1         | NOZZLE ISO CT F-03-110C BLUE   |
| 3    | 371775   | 1         | NOZZLE ISO CT F-04-110C RED    |
| 3    | 371776   | 1         | NOZZLE ISO CT F-05-110C BROWN  |
| 3    | 371777   | 1         | NOZZLE ISO CT F-06-110C GREY   |
| 4    | 371738   | 1         | NOZZLE ISO F-015-110C GREEN    |
| 4    | 371739   | 1         | NOZZLE ISO F-02-110C YELLOW    |
| 4    | 371740   | 1         | NOZZLE ISO F-03-110C BLUE      |
| 4    | 371741   | 1         | NOZZLE ISO F-04-110C RED       |
| 4    | 371742   | 1         | NOZZLE ISO F-05-110C BROWN     |
| 4    | 371743   | 1         | NOZZLE ISO F-06-110C GREY      |

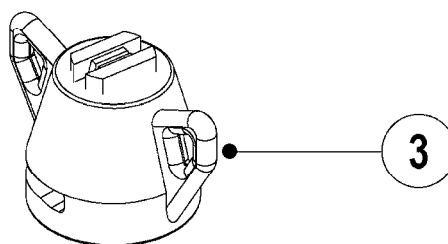


### SYNTAL



---

### CERAMIC



**D1010**



BOOM-NOZZLES 110° LOWDRIFT ISO  
D1010-HIN, 01:01:16

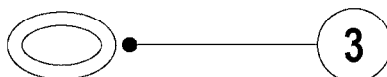
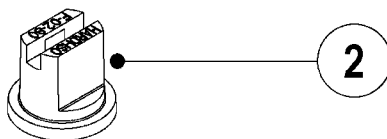
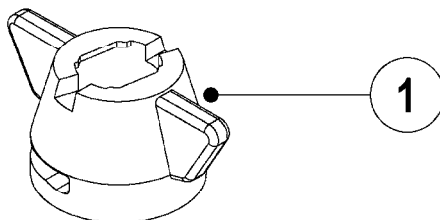
Page 1

Date 16.03.2016 13:54

| Pos. | parts-n° | order qty | description                    |
|------|----------|-----------|--------------------------------|
| 1    | 371837   | 1         | NOZZLE ISO CT LD-01-110 ORANGE |
| 1    | 371838   | 1         | NOZZLE ISO CT LD-015-110 GREEN |
| 1    | 371839   | 1         | NOZZLE ISO CT LD-02-110 YELLOW |
| 1    | 371840   | 1         | NOZZLE ISO CT LD-03-110 BLUE   |
| 1    | 371841   | 1         | NOZZLE ISO CT LD-04-110 RED    |
| 1    | 371894   | 1         | NOZZLE ISO CT LD-05-110 BROWN  |
| 1    | 371958   | 1         | NOZZLE ISO CT LD-025-110 LILAC |
| 2    | 371817   | 1         | NOZZLE ISO LD-01-110 ORANGE    |
| 2    | 371818   | 1         | NOZZLE ISO LD-015-110 GREEN    |
| 2    | 371819   | 1         | NOZZLE ISO LD-02-110 YELLOW    |
| 2    | 371820   | 1         | NOZZLE ISO LD-03-110 BLUE      |
| 2    | 371821   | 1         | NOZZLE ISO LD-04-110 RED       |
| 2    | 371893   | 1         | NOZZLE ISO LD-05-110 BROWN     |
| 2    | 371957   | 1         | NOZZLE ISO LD-025-110 LILAC    |
| 3    | 371842   | 1         | NOZZLE ISO CT LD-01-110C ORANG |
| 3    | 371843   | 1         | NOZZLE ISO CT LD-015-110C GRN  |
| 3    | 371844   | 1         | NOZZLE ISO CT LD-02-110C YELLO |
| 3    | 371845   | 1         | NOZZLE ISO CT LD-03-110C BLUE  |
| 3    | 371846   | 1         | NOZZLE ISO CT LD-04-110C RED   |
| 3    | 371897   | 1         | NOZZLE ISO CT LD-05-110C BROWN |
| 4    | 371822   | 1         | NOZZLE ISO LD-01-110C ORANGE   |
| 4    | 371823   | 1         | NOZZLE ISO LD-015-110C GREEN   |
| 4    | 371824   | 1         | NOZZLE ISO LD-02-110C YELLOW   |
| 4    | 371825   | 1         | NOZZLE ISO LD-03-110C BLUE     |
| 4    | 371826   | 1         | NOZZLE ISO LD-04-110C RED      |
| 4    | 371896   | 1         | NOZZLE ISO LD-05-110C BROWN    |



## SYNTAL



# D1020

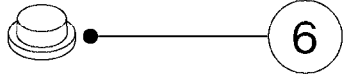


BOOM-NOZZLES 80° FLAT FAN ISO  
D1020-HIN, 01:01:16

Page 1

Date 16.03.2016 13:54

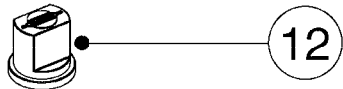
| Pos. | parts-n° | order qty | description                    |
|------|----------|-----------|--------------------------------|
| 1    | 334083   | 1         | SNAP-FIT NOZZLE HOLDER SS BLCK |
| 2    | 371931   | 1         | SYNTAL ISO F-01-80 TIP ORNG    |
| 2    | 371932   | 1         | SYNTAL ISO F-015-80 TIP GREEN  |
| 2    | 371933   | 1         | SYNTAL ISO F-02-80 TIP YELLOW  |
| 2    | 371934   | 1         | SYNTAL ISO F-03-80 TIP BLUE    |
| 3    | 10423503 | 1         | O-RING 9.12x3.53 NITRIL        |



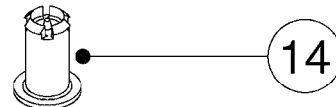
6



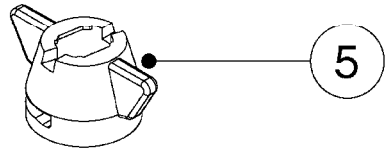
15



12



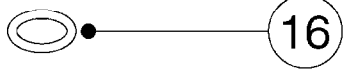
14



5



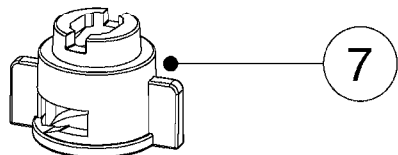
13



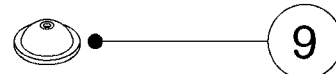
16



11



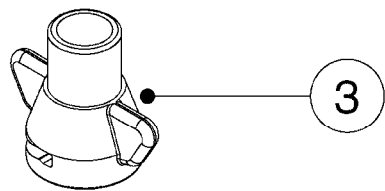
7



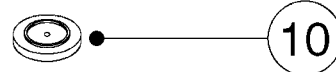
9



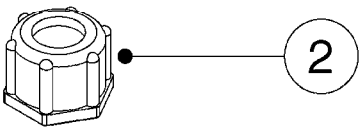
1



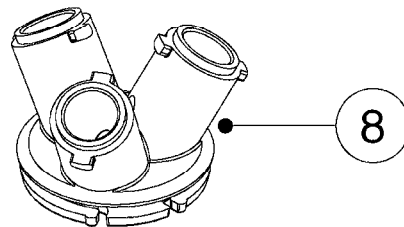
3



10



2



8



4

**D1030**

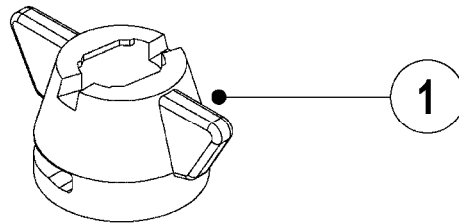


BOOM-NOZZLE CAPS AND FILTERS  
D1030-HIN, 01:01:16

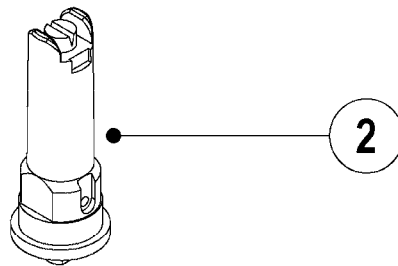
Page 1

Date 16.03.2016 13:54

| Pos. | parts-n° | order qty | description                           |
|------|----------|-----------|---------------------------------------|
| 1    | 242222   | 1         | GASKET 19.0 X 10.0 X 3.3 EPDM         |
| 2    | 320187   | 1         | FITT.DK CAP 3/8" BSP BLACK            |
| 2    | 321517   | 1         | FITT.DK CAP 3/8" BSP WHITE            |
|      |          |           | ALWAYS USE WITH ISO AND INJET NOZZLES |
| 2    | 321797   | 1         | FITT.DK CAP 3/8' BSP BLUE             |
| 2    | 321801   | 1         | FITT.DK CAP 3/8' BSP GREEN            |
| 2    | 321812   | 1         | FITT.DK CAP 3/8' BSP RED              |
| 2    | 321823   | 1         | FITT.DK CAP 3/8' BSP ORANGE           |
| 2    | 321834   | 1         | FITT.DK CAP 3/8' BSP YELLOW           |
| 3    | 322068   | 1         | SNAP-FIT ADAPTER THREAD. HARDI        |
| 4    | 330013   | 1         | O-RING D15/D10X2.5 F.3/8"NUT          |
| 5    | 334083   | 1         | SNAP-FIT NOZZLE HOLDER SS BLCK        |
| 6    | 334102   | 1         | BLANK F.NOZZLE                        |
| 7    | 334862   | 1         | NOZZLE CAP TJBLACK F.ISO/INJET        |
| 8    | 334926   | 1         | SNAP-FIT TURN PLATE F TRIPLET         |
| 9    | 370016   | 1         | NOZZLE CONE JET 1553-08               |
| 9    | 370027   | 1         | NOZZLE CONE JET 1553-10               |
| 9    | 370031   | 1         | NOZZLE CONE JET 1553-12               |
| 9    | 370042   | 1         | NOZZLE CONE JET 1553-14               |
| 9    | 370053   | 1         | NOZZLE CONE JET 1553-16               |
| 9    | 370064   | 1         | NOZZLE CONE JET 1553-18               |
| 9    | 370075   | 1         | NOZZLE CONE JET 1553-20               |
| 9    | 370086   | 1         | NOZZLE CONE JET 1553-22               |
| 9    | 370097   | 1         | NOZZLE CONE JET 1553-24               |
| 9    | 370101   | 1         | NOZZLE CONE JET 1553-30               |
| 9    | 370112   | 1         | NOZZLE CONE JET 1553-35               |
| 9    | 370123   | 1         | NOZZLE CONE JET 1553-40               |
| 10   | 370134   | 1         | NOZZLE SWIRL 1554-GREY                |
| 10   | 370145   | 1         | NOZZLE SWIRL 1554-BLACK               |
| 10   | 370156   | 1         | NOZZLE SWIRL 1554-BLUE                |
| 10   | 370167   | 1         | NOZZLE SWIRL 1554-1.3 WHITE           |
| 11   | 371551   | 1         | NOZZ LRG DROP FLAT SPRAY SINGL        |
| 12   | 372140   | 1         | HARDI ISO BLIND CAP                   |
| 13   | 390639   | 1         | O-RING F.NOZZLE FILTER                |
| 14   | 614366   | 1         | FILTER 50 MESH F.NOZZLE BLUE          |
| 14   | 614367   | 1         | FILTER 80 MESH F.NOZZLE RED           |
| 14   | 614368   | 1         | FILTER 100 MESH F.NOZZLE YEL.         |
| 15   | 725042   | 1         | SCREEN 80 MESH W.GASKET, RED          |
| 15   | 725043   | 1         | SCREEN 50 MESH W.GASKET,BLUE          |
| 15   | 725044   | 1         | SCREEN 100 MESH W.GASKET,YELLO        |
| 16   | 10423503 | 1         | O-RING 9.12x3.53 NITRIL               |

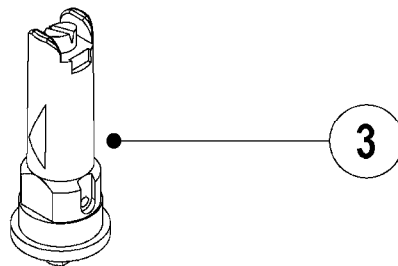


### INJET Nozzle SYNTAL



---

### B-JET Nozzle SYNTAL



# D1040





BOOM-NOZZLES INJET  
D1040-HIN, 01:01:16

Page 1

Date 16.03.2016 13:54

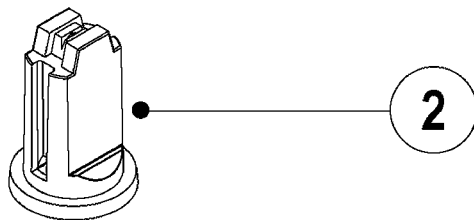
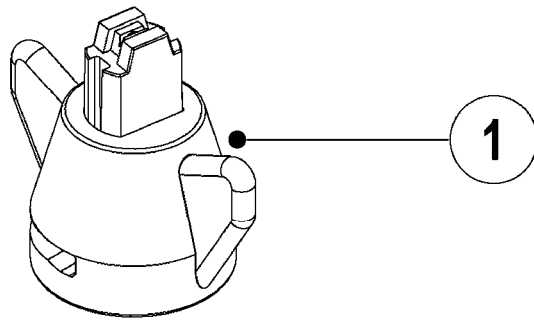
| Pos. | parts-n° | order qty | description                    |
|------|----------|-----------|--------------------------------|
| 1    | 334083   | 1         | SNAP-FIT NOZZLE HOLDER SS BLCK |
| 2    | 371872   | 1         | NOZZLE INJET 015 GREEN SINGLE  |
| 2    | 371873   | 1         | NOZZLE INJET 02 YELLOW SINGLE  |
| 2    | 371874   | 1         | NOZZLE INJET 025 LILAC SINGLE  |
| 2    | 371875   | 1         | NOZZLE INJET 03 BLUE SINGLE    |
| 2    | 371876   | 1         | NOZZLE INJET 04 RED SINGLE     |
| 2    | 371926   | 1         | NOZZLE INJET 01 ORANGE SINGLE  |
| 2    | 371927   | 1         | NOZZLE INJET 05 BROWN SINGLE   |
| 2    | 371928   | 1         | NOZZLE INJET 06 GREY SINGLE    |
| 2    | 371929   | 1         | NOZZLE INJET 08 WHITE SINGLE   |
| 3    | 371870   | 1         | NOZZLE B-JET 03 BLUE           |
| 3    | 371871   | 1         | NOZZLE B-JET 04 RED            |
| 3    | 371877   | 1         | NOZZLE B-JET 025 LILAC         |
| 3    | 371930   | 1         | NOZZLE B-JET 02 YELLOW         |



BOOM-NOZZLES MINIDRIFT  
D1050-HIN, 01:01:16

Page 0

Date 16.03.2016 13:54



**D1050**



BOOM-NOZZLES MINIDRIFT  
D1050-HIN, 01:01:16

Page 1

Date 16.03.2016 13:54

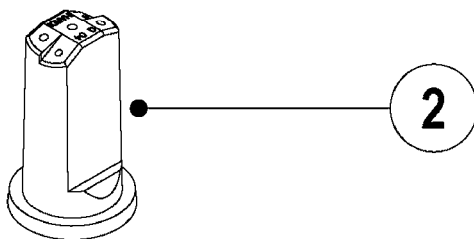
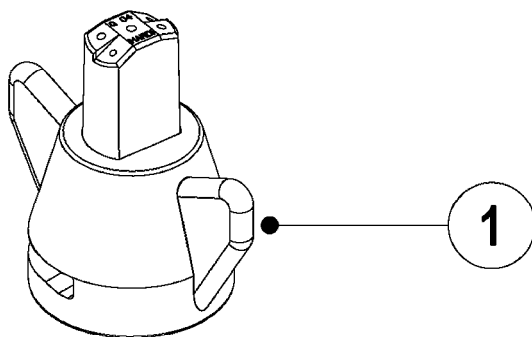
| Pos. | parts-n° | order qty | description                    |
|------|----------|-----------|--------------------------------|
| 1    | 372121   | 1         | NOZZLE ISO CT MD-015-110 GREEN |
| 1    | 372122   | 1         | NOZZLE ISO CT MD-02-110 YELLOW |
| 1    | 372123   | 1         | NOZZLE ISO CT MD-025-110 LILAC |
| 1    | 372124   | 1         | NOZZLE ISO CT MD-03-110 BLUE   |
| 1    | 372125   | 1         | NOZZLE ISO CT MD-04-110 RED    |
| 1    | 372126   | 1         | NOZZLE ISO CT MD-05-110 BROWN  |
| 2    | 372111   | 1         | NOZZLE ISO MD-015-110 GREEN    |
| 2    | 372112   | 1         | NOZZLE ISO MD-02-110 YELLOW    |
| 2    | 372113   | 1         | NOZZLE ISO MD-025-110 LILAC    |
| 2    | 372114   | 1         | NOZZLE ISO MD-03-110 BLUE      |
| 2    | 372115   | 1         | NOZZLE ISO MD-04-110 RED       |
| 2    | 372116   | 1         | NOZZLE ISO MD-05-110 BROWN     |



BOOM-NOZZLES QUINTASTREAM  
D1060-HIN, 01:01:16

Page 0

Date 16.03.2016 13:54



**D1060**

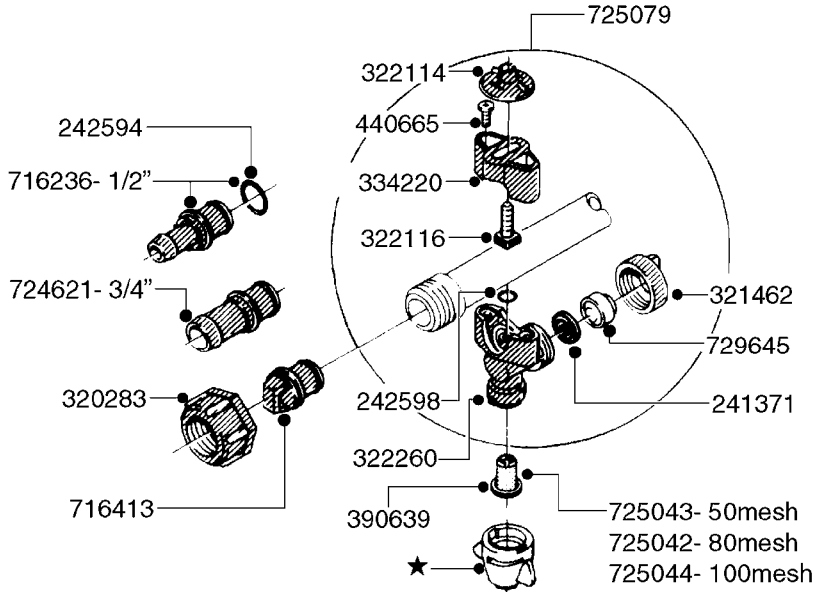


BOOM-NOZZLES QUINTASTREAM  
D1060-HIN, 01:01:16

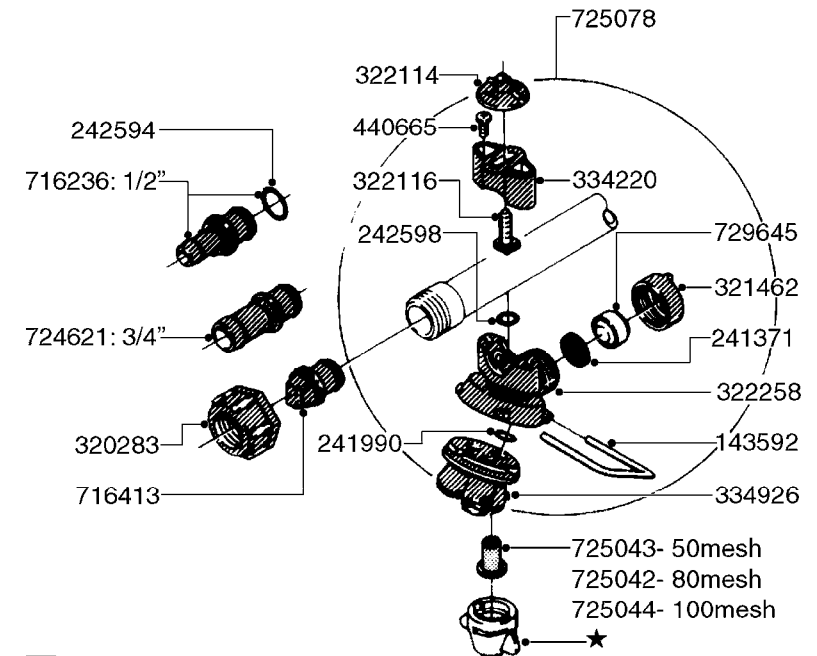
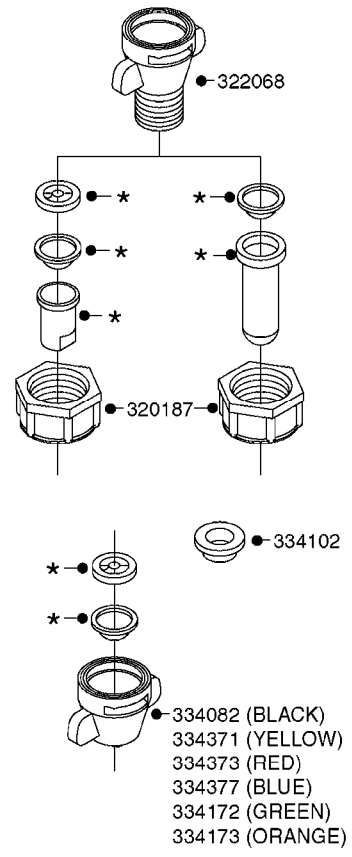
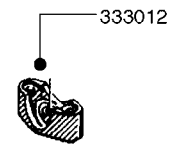
Page 1

Date 16.03.2016 13:54

| Pos. | parts-n° | order qty | description                   |
|------|----------|-----------|-------------------------------|
| 1    | 372011   | 1         | NOZZLE ISO QS-015-5H GREEN    |
| 1    | 372012   | 1         | NOZZLE ISO QS-02-5H YELLOW    |
| 1    | 372013   | 1         | NOZZLE ISO QS-03-5H BLUE      |
| 1    | 372014   | 1         | NOZZLE ISO QS-04-5H RED       |
| 1    | 372015   | 1         | NOZZLE ISO QS-05-5H BROWN     |
| 1    | 372016   | 1         | NOZZLE ISO QS-06-5H GREY      |
| 1    | 372017   | 1         | NOZZLE ISO QS-08-5H WHITE     |
| 1    | 372018   | 1         | NOZZLE ISO QS-10-5H LT. BLUE  |
| 1    | 372019   | 1         | NOZZLE ISO QS-15-5H LT. GREEN |
| 2    | 372002   | 1         | ISO QNTSTRM 015 S-GREEN       |
| 2    | 372003   | 1         | ISO QNTSTRM 02 S-YELLOW       |
| 2    | 372004   | 1         | ISO QNTSTRM 03 S-BLUE         |
| 2    | 372005   | 1         | ISO QNTSTRM 04 S-RED          |
| 2    | 372006   | 1         | ISO QNTSTRM 05 S-BROWN        |
| 2    | 372007   | 1         | ISO QNTSTRM 06 S-GREY         |
| 2    | 372008   | 1         | ISO QNTSTRM 08 S-WHITE        |
| 2    | 372009   | 1         | ISO QNTSTRM 10 S-LT.BLU       |
| 2    | 372010   | 1         | ISO QNTSTRM 15 S-LT.GRN       |



**SINGLE NOZZLE BODY**



**TRIPLET NOZZLE BODY**

**D1090**

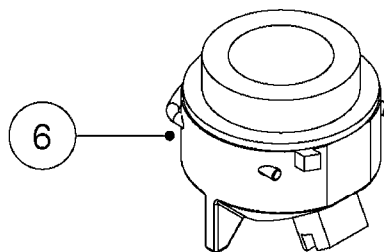
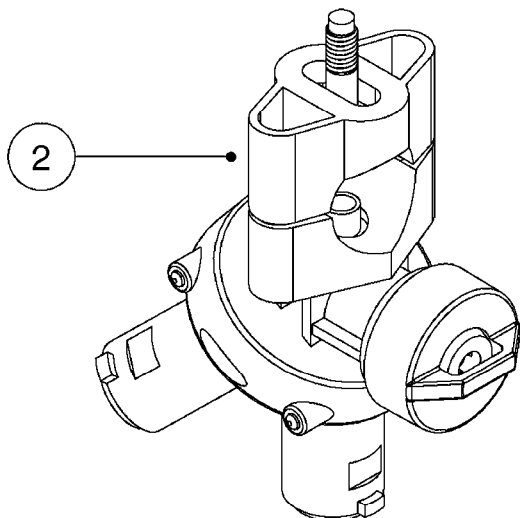
\*=REFER TO HARDI NOZZLE CATALOG



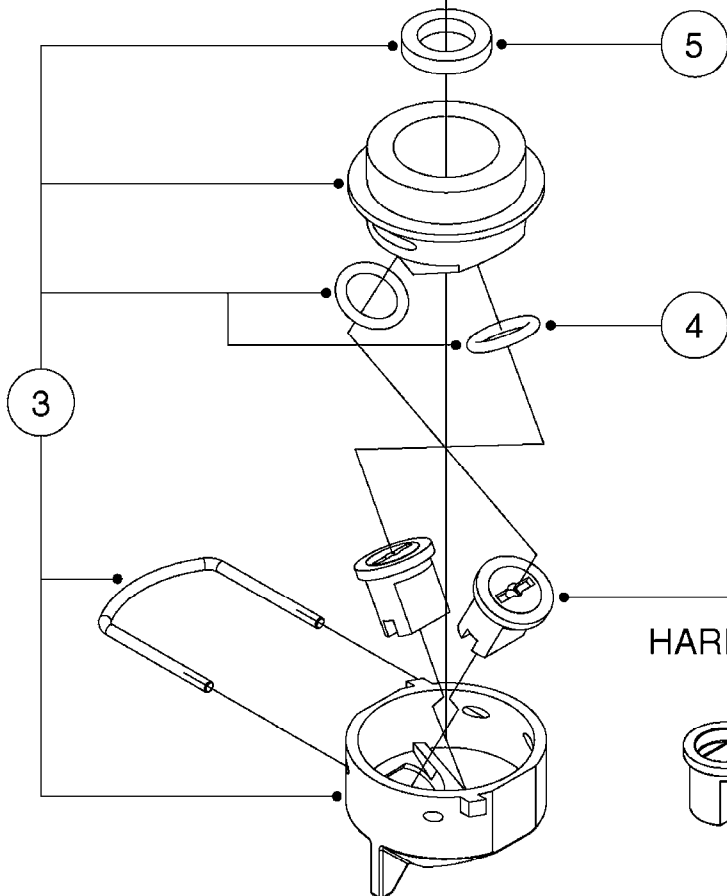
NOZZLE BODIES-SNAP FIT  
D1090-HIN, 01:01:16

Page 1  
Date 16.03.2016 13:54

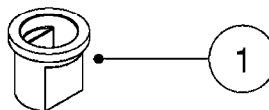
| parts-n° | order qty | description                    |
|----------|-----------|--------------------------------|
| 143592   | 1         | LOCK CLAMP FOR TRIPLET         |
| 241371   | 1         | DIAPHRAGM, NO-DRIP alt 241371  |
| 241990   | 1         | O-RING D9.3 X 2.4 VITON        |
| 242594   | 1         | O-RING D14 X 1.78 SCH.70-EPDM  |
| 242598   | 1         | O-RING D7.0 X 2.5 NITRIL       |
| 320187   | 1         | FITT.DK CAP 3/8" BSP BLACK     |
| 320283   | 1         | FITT.DK NUT 3/4"BSP            |
| 321462   | 1         | CAP F.NO-DRIP ASSY.            |
| 322068   | 1         | SNAP-FIT ADAPTER THREAD. HARDI |
| 322114   | 1         | NUT PLASTIC F.NOZZ.H           |
| 322116   | 1         | BOLT PLASTIC F.NOZZ.H.         |
| 322258   | 1         | HOUSING F.TRIPLET              |
| 322260   | 1         | NOZZLE HOLDER LOWER PART       |
| 333012   | 1         | NOZZLE HOLD. UPPER PART        |
| 334082   | 1         | SNAP-FIT NOZZ.HOLD.CONE BLACK  |
| 334102   | 1         | BLANK F.NOZZLE                 |
| 334172   | 1         | SNAP-FIT NOZZ.HOLD.CONE GREEN  |
| 334173   | 1         | SNAP-FIT NOZZ.HOLD.CONE ORANGE |
| 334220   | 1         | YOKE, UPPER NOZZLE BODY        |
| 334371   | 1         | SNAP-FIT NOZZLE HOLDER YELLOW  |
| 334373   | 1         | SNAP-FIT NOZZLE HOLDER RED     |
| 334377   | 1         | SNAP-FIT NOZZLE HOLDER BLUE    |
| 334926   | 1         | SNAP-FIT TURN PLATE F TRIPLET  |
| 390639   | 1         | O-RING F.NOZZLE FILTER         |
| 440665   | 1         | SCREW M4.2X16 STAINLESS        |
| 716236   | 1         | FITT.DK HB 1/2" ASSY. F. 3/4"  |
| 716413   | 1         | FITT.DK PLUG ASSY. F.NOZ TUBE  |
| 724621   | 1         | FITT.DK HB 3/4"ASSY F.3/4" NUT |
| 725042   | 1         | SCREEN 80 MESH W.GASKET, RED   |
| 725043   | 1         | SCREEN 50 MESH W.GASKET,BLUE   |
| 725044   | 1         | SCREEN 100 MESH W.GASKET,YELLO |
| 725078   | 1         | SNAP-FIT TRIPLET W/O NOZZ HOLD |
| 725079   | 1         | NOZZLE ASSY.SING.SNAP-FIT GREN |
| 729645   | 1         | NON-DRIP SPRING ASSY.GREEN 10  |



COMPLETE ASSEMBLY  
WITH NOZZLES



REFER TO  
HARDI® NOZZLE CATALOG



**D1100**



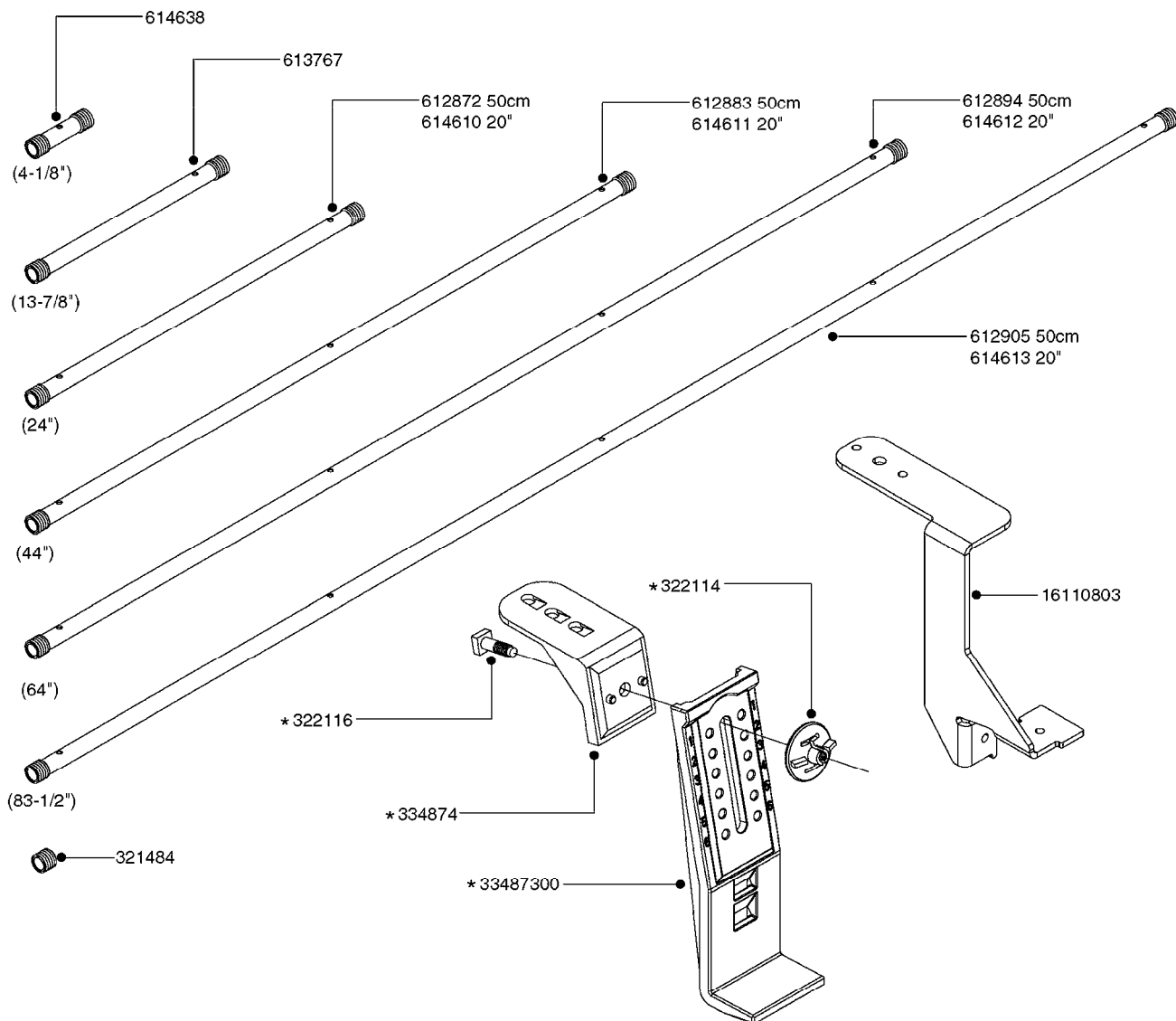


DOUBLE NOZZLE HOLDER-SNAP FIT  
D1100-HIN, 01:01:16

Page 1

Date 16.03.2016 13:54

| Pos. | parts-n° | order qty | description                    |
|------|----------|-----------|--------------------------------|
| 1    | 372140   | 1         | HARDI ISO BLIND CAP            |
| 2    | 725078   | 1         | SNAP-FIT TRIPLET W/O NOZZ HOLD |
| 3    | 28032503 | 1         | DOUBLE NOZZLE HOLDER LD ISO    |
| 4    | 28040103 | 1         | O-RING F.DOUBLE NOZZLE HOLDER  |
| 5    | 28089103 | 1         | GASKET F.DOUBLE NOZZLE HOLDER  |
| 6    | 70056803 | 1         | DOUBLE NOZZLE CAP ORANGE LD 01 |
| 6    | 70056903 | 1         | DOUBLE NOZZLE CAP GREEN LD 015 |
| 6    | 70057003 | 1         | DOUBLE NOZZLE CAP YELLOW LD 02 |
| 6    | 70057103 | 1         | DOUBLE NOZZLE CAP LILAC LD 025 |
| 6    | 70057203 | 1         | DOUBLE NOZZLE CAP BLUE LD 03   |
| 6    | 70057303 | 1         | DOUBLE NOZZLE CAP RED LD 04    |
| 6    | 70057403 | 1         | DOUBLE NOZZLE CAP BROWN LD 05  |



\*741685 - BAG OF 5 COMPLETE  
\*741688 - BAG OF 10 COMPLETE

|  |                                |                           |
|--|--------------------------------|---------------------------|
|  | STAINLESS CLAMPS AND INSULATOR |                           |
|  | 100X60MM - 741778 BAG OF 10    |                           |
|  | 80X60MM - 741741 BAG OF 10     | 80X60MM - 741738 BAG OF 5 |
|  | 50X50MM - 741737 BAG OF 10     | 50X50MM - 741734 BAG OF 5 |
|  | 50X30MM - 741733 BAG OF 10     | 50X30MM - 741730 BAG OF 5 |

|                                                                                                 |                                                                                                                                       |
|-------------------------------------------------------------------------------------------------|---------------------------------------------------------------------------------------------------------------------------------------|
| <b>BLANK TUBES:</b><br>614647 - 23-3/4"<br>614648 - 43-1/4"<br>614649 - 63"<br>614650 - 82-1/2" | <b>DIMPLED TUBES:</b><br>615468 - 24-1/2"    615471 - 64"<br>615469 - 44"        615472 - 74-1/4"<br>615470 - 54-1/8"    615473 - 92" |
|-------------------------------------------------------------------------------------------------|---------------------------------------------------------------------------------------------------------------------------------------|

# D1110

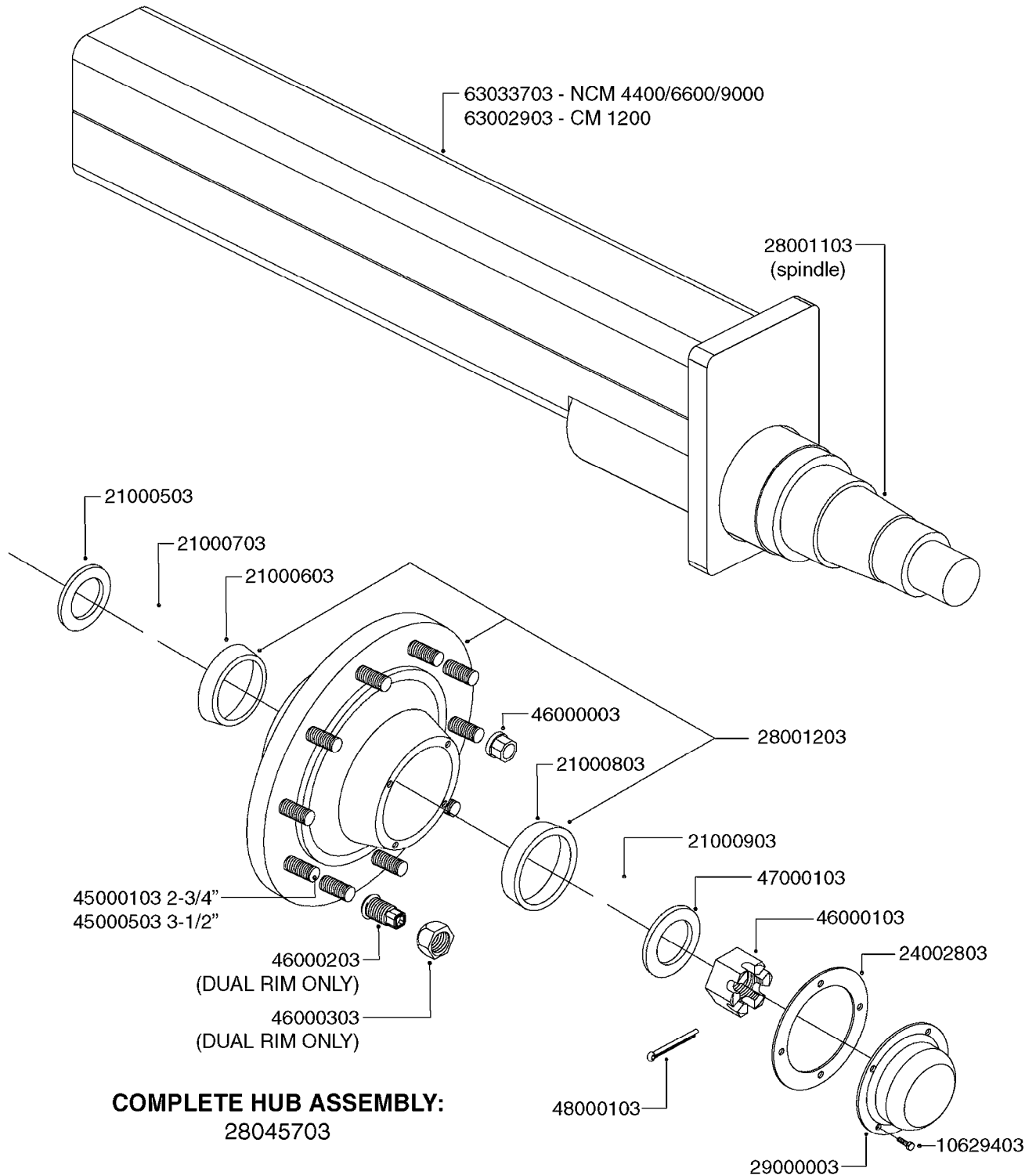


NOZZLE TUBES & HOLDER-PLASTIC  
D1110-HIN, 01:01:16

Page 1

Date 16.03.2016 13:54

| parts-n° | order qty | description                    |
|----------|-----------|--------------------------------|
| 321484   | 1         | BUSHING THREADED F.NOZZ.TUBE   |
| 322114   | 1         | NUT PLASTIC F.NOZZ.H           |
| 322116   | 1         | BOLT PLASTIC F.NOZZ.H.         |
| 334874   | 1         | NOZZLE HOLDER - TOP HALF       |
| 612872   | 1         | NOZZLE TUBE 2 HOLE L-24"/50CM  |
| 612883   | 1         | NOZZLE TUBE 3 HOLE L-44"/50CM  |
| 612894   | 1         | NOZZLE TUBE 4 HOLE L-64"/50CM  |
| 612905   | 1         | NOZZLE TUBE 5 HOLE L-83.5"/50C |
| 613767   | 1         | NOZZLE TUBE 1 HOLE L-13.875"   |
| 614610   | 1         | NOZZLE TUBE 2 HOLE L-24"/SP20" |
| 614611   | 1         | NOZZLE TUBE 3 HOLE L-44"/SP20" |
| 614612   | 1         | NOZZLE TUBE 4 HOLE L-64"/SP20" |
| 614613   | 1         | NOZZLE TUBE 5 HOLE L-83.5"/20" |
| 614638   | 1         | NOZZLE TUBE 1 HOLE L-4.125"    |
| 614647   | 1         | NOZZLE TUBE L=600mm NO HOLES   |
| 614648   | 1         | NOZZLE TUBE L=1100mm NO HOLES  |
| 614649   | 1         | NOZZLE TUBE L=1600mm NO HOLES  |
| 614650   | 1         | NOZZLE TUBE L=2100mm NO HOLES  |
| 615468   | 1         | NOZZLE TUBE MARKED 1" 24"      |
| 615469   | 1         | NOZZLE TUBE MARKED 1" 44"      |
| 615470   | 1         | NOZZLE TUBE MARKED 1" 54"      |
| 615471   | 1         | NOZZLE TUBE MARKED 1" 64"      |
| 615472   | 1         | NOZZLE TUBE MARKED 1" 74"      |
| 615473   | 1         | NOZZLE TUBE MARKED 1" 92"      |
| 741685   | 1         | NOZZLE HOLDER COMPLETE/5 PCS   |
| 741688   | 1         | NOZZLE HOLDER COMPLETE/10PCS   |
| 741730   | 1         | CLAMP,NZLE BKT BAG OF 5 50X30  |
| 741733   | 1         | CLAMP,NZLE BKT BAG OF 10 50X30 |
| 741734   | 1         | CLAMP,NZLE BKT BAG OF 5 50X50  |
| 741737   | 1         | CLAMP,NZLE BKT BAG OF 10 50X50 |
| 741738   | 1         | CLAMP,NZLE BKT BAG OF 5 80X60  |
| 741741   | 1         | CLAMP,NZLE BKT BAG OF 10 80x60 |
| 741778   | 1         | CLAMP,NZL BKT BAG OF 10 100x60 |
| 16110803 | 1         | NOZZLE BRACKET VAR SPACINGS    |
| 33487300 | 1         | NOZZLE HOLDER - BOTTOM HALF    |



**COMPLETE HUB ASSEMBLY:**  
28045703

COMPLETE ASSEMBLIES  
WHOLEGOODS ITEMS

**E0790**

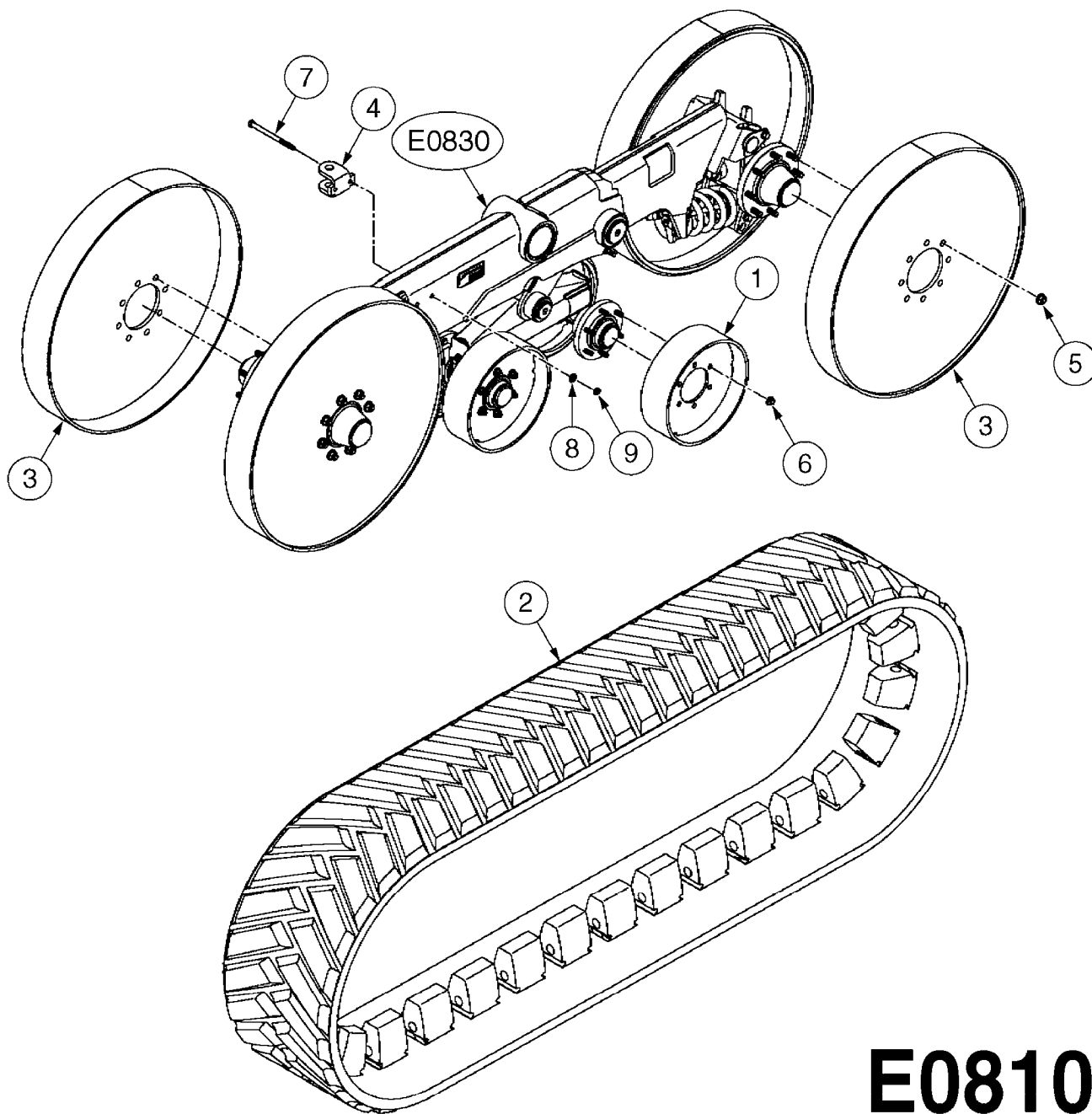


HUB ASSEMBLE F.4-1/2" SPINDLE  
E0790-HIN, 01:01:16

Page 1

Date 16.03.2016 13:54

| parts-n° | order qty | description                    |
|----------|-----------|--------------------------------|
| 10629403 | 1         | BOLT HEX 5/16 NC GR.2 00.50"   |
| 21000503 | 1         | SEAL,WHEEL CR43771             |
| 21000603 | 1         | RACE, BEARING 3.5/1.5          |
| 21000703 | 1         | BEARING, TAPPERED 3.5433/1.575 |
| 21000803 | 1         | RACE, TAPERED BEARING          |
| 21000903 | 1         | BEARING, TAPPERED, 2.75/1.510  |
| 24002803 | 1         | GASKET F. HUB 4.5" HUB ASSY    |
| 28001103 | 1         | SPINDLE 4.5"x 21" 20000LB      |
| 28001203 | 1         | HUB, 20000LB W. BRG RACES      |
| 28045703 | 1         | HUB ASSY 10-13.19-11.02 25000# |
| 29000003 | 1         | HUB CAP F. 881(20000LB) HUB    |
| 45000103 | 1         | BOLT, WHEEL STUD 3/4-16X2 3/4  |
| 45000503 | 1         | BOLT, WHEEL STUD 3/4-16X3 1/2  |
| 46000003 | 1         | NUT HEX NF 3/4" FLANGED F.HUB  |
| 46000103 | 1         | NUT, CASTLE, SPINDLE 2-12 UNF  |
| 46000203 | 1         | NUT, BUD WHEEL, INNER, RH      |
| 46000303 | 1         | NUT, BUD WHEEL, OUTER, RH      |
| 47000103 | 1         | WASHER, SPNDL 4.5" 2.06x4 .25T |
| 48000103 | 1         | PIN, COTTER 5/16" X 5.25"      |
| 63002903 | 1         | AXLE INSERT,72"-90"SUS CM 1200 |
| 63033703 | 1         | AXLE INSERT NCM 44/66/9000     |



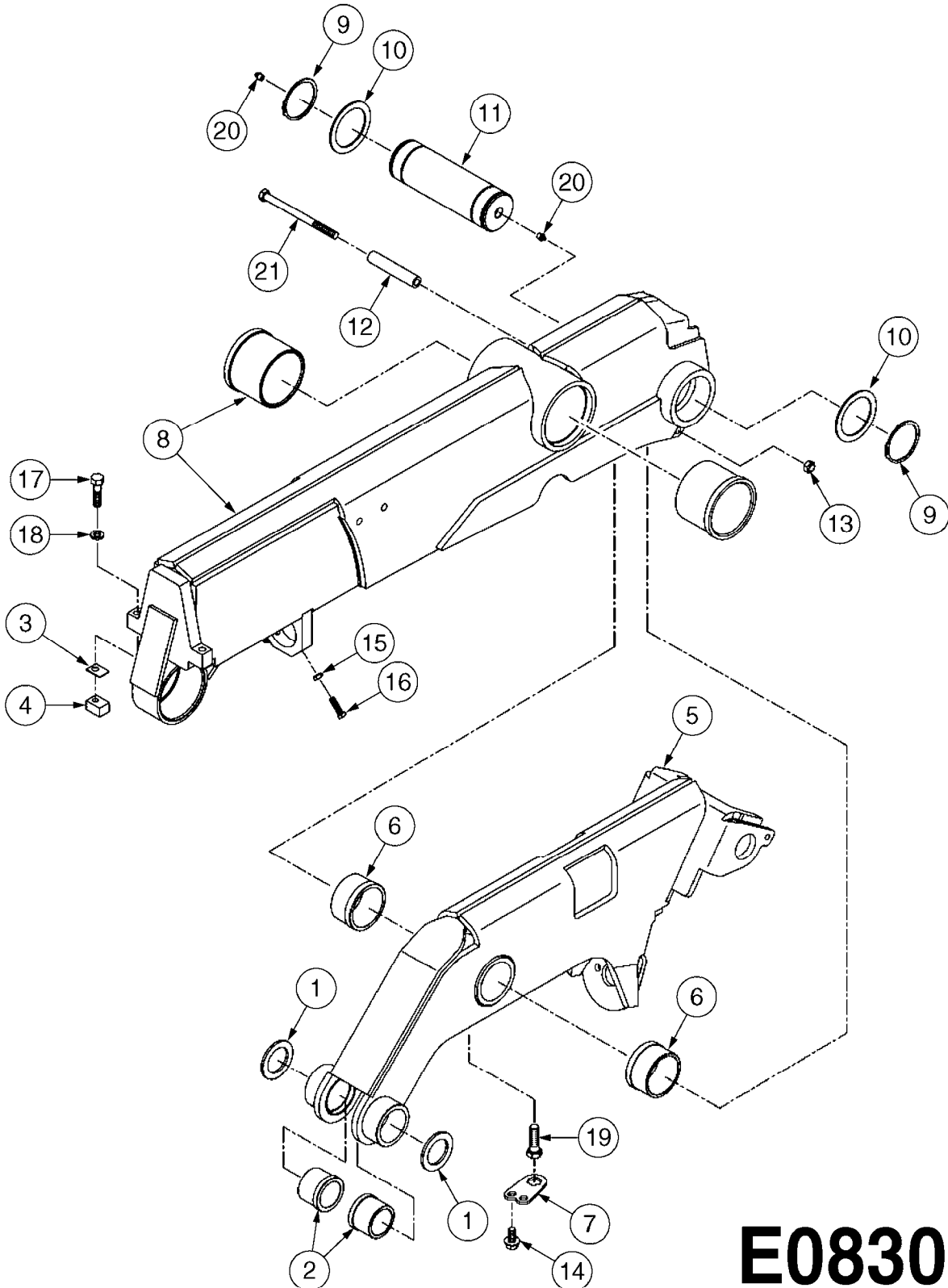
**E0810**



CAMOPLAST TRACK 40 SERIES  
E0810-HIN, 01:01:16

Page 1  
Date 16.03.2016 13:54

| Pos. | parts-n° | order qty | description                   |
|------|----------|-----------|-------------------------------|
| 1    | 28064103 | 1         | WHEEL, MID-ROLLER (1401,1402) |
| 1    | 28064203 | 1         | WHEEL, MID-ROLLER(45-1801)    |
| 2    | 28074703 | 1         | TRACK LH 249" X 14" (40-1402) |
| 2    | 28074803 | 1         | TRACK RH 249" X 14" (40-1402) |
| 2    | 28075103 | 1         | TRACK 249" X 18" (45-1801)    |
| 3    | 28075203 | 1         | WHEEL, IDLER (40-1402)        |
| 3    | 28075303 | 1         | WHEEL, IDLER (45-1801)        |
| 4    | 28075403 | 1         | BRACE BRACKET                 |
| 5    | 28082103 | 1         | LUG NUT SET (8) IDLER         |
| 6    | 28083003 | 1         | LUG NUT SET (6) MID-ROLLER    |
| 7    | 28083203 | 1         | BOLT HEX 7"X1/2"-20 UNF GR 8  |
| 8    | 28083303 | 1         | WASHER 1/2"                   |
| 9    | 28083403 | 1         | LOCK NUT 1/2"-20 UNF          |



**E0830**





CAMOPLAST FRAME 40 SERIES  
E0830-HIN, 01:01:16

Page 1

Date 16.03.2016 13:54

| Pos. | parts-n° | order qty | description                    |
|------|----------|-----------|--------------------------------|
| 1    | 28076003 | 1         | WASHER, 3"X2.02"X3/16"         |
| 2    | 28076303 | 1         | BUSHING 2.55"ODX2.012ID"X2"    |
| 3    | 28076403 | 1         | SHIM, TILT STOPPER             |
| 4    | 28076503 | 1         | STOPPER, TILT                  |
| 5    | 28076603 | 1         | TENSION ARM (40 SERIES)        |
| 6    | 28076703 | 1         | BUSHING, TENS. 3.48X3.15X1.98" |
| 7    | 28076803 | 1         | LOCK PLATE                     |
| 8    | 28076903 | 1         | FRAME W/BUSHINGS (40 SERIES)   |
| 9    | 28077003 | 1         | SNAP RING EXT. 3"              |
| 10   | 28077103 | 1         | WASHER                         |
| 11   | 28077203 | 1         | PIN, 3" OD X 9.56"             |
| 12   | 28077303 | 1         | SPACER                         |
| 13   | 28083403 | 1         | LOCK NUT 1/2"-20 UNF           |
| 14   | 28083503 | 1         | BOLT HEX FLG.1"X1/2"-13UNC GR5 |
| 15   | 28083603 | 1         | JAM NUT 3/8"-16 UNC GR 8       |
| 16   | 28083703 | 1         | SET SCREW 1-1/2"X3/8"-16 UNC   |
| 17   | 28083803 | 1         | BOLT HEX 2"X1/2"-13 UNC        |
| 18   | 28083903 | 1         | LOCK WASHER 1/2"               |
| 19   | 28084003 | 1         | BOLT HEX 2" X 5/8"-11          |
| 20   | 28084103 | 1         | GREASE FITTING                 |
| 21   | 28084203 | 1         | BOLT HEX 6-1/2"X1/2"-20UNF GR8 |



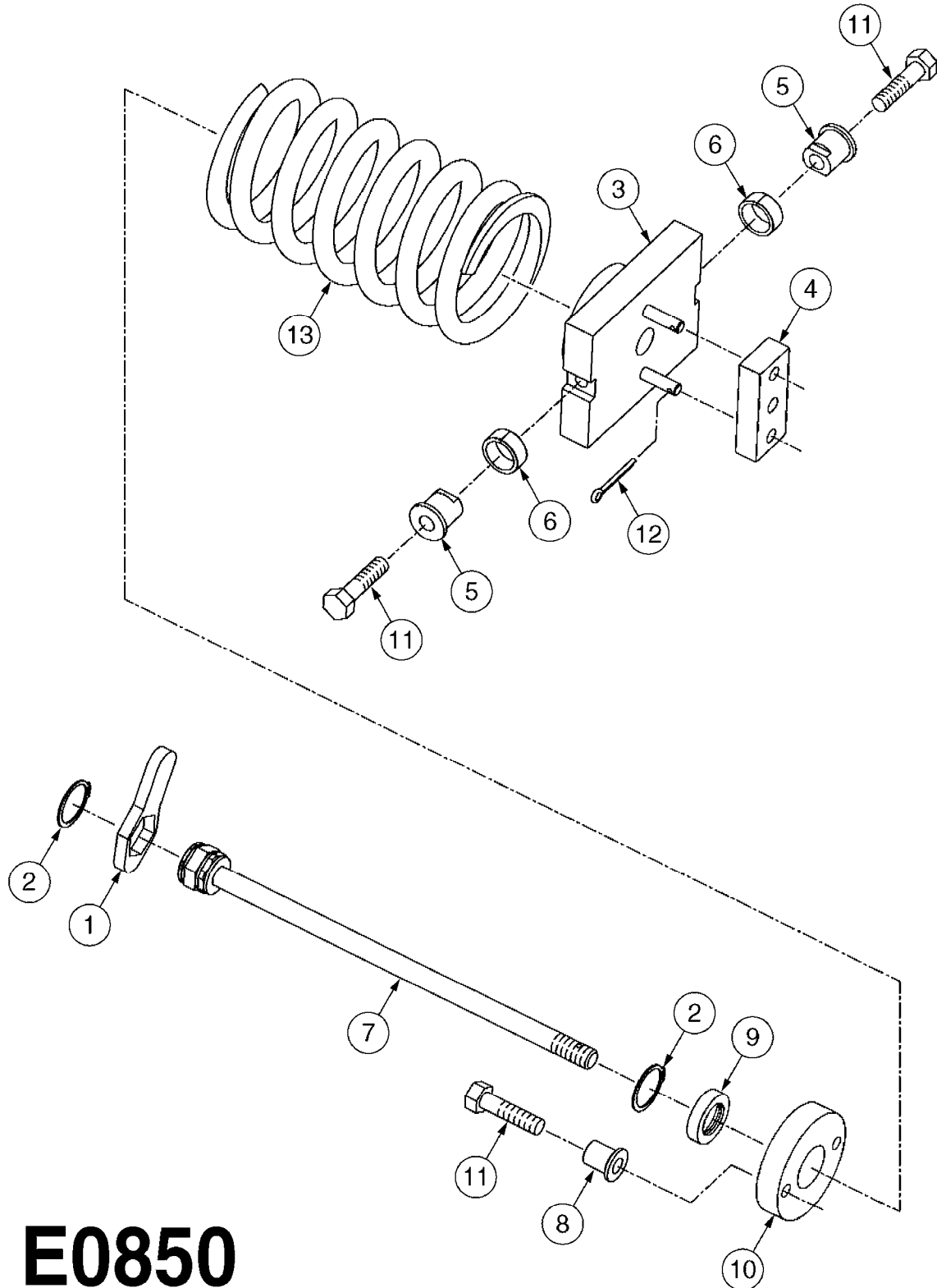


CAMOPLAST TENSION LINK ASSY.  
E0840-HIN, 01:01:16

Page 1

Date 16.03.2016 13:54

| Pos. | parts-n° | order qty | description                                               |
|------|----------|-----------|-----------------------------------------------------------|
| 1    | 28077403 | 1         | TENSION LINK                                              |
| 2    | 28077503 | 1         | BUSHING 2.5"ODX0.25"WX3.94"                               |
| 3    | 28077603 | 1         | RETAINER PLATE                                            |
| 4    | 28077703 | 1         | PIN                                                       |
| 5    | 28077803 | 1         | WASHER 1.062"ID X 2"OD                                    |
| 6    | 28077903 | 1         | BUSHING 1.375" X 1.88" LG                                 |
| 7    | 28078003 | 1         | BUSHING 1.875"ODX0.25"WTX1.55"                            |
| 8    | 28078103 | 1         | WEAR PAD                                                  |
| 9    | 28078203 | 1         | AXLE                                                      |
| 10   | 28078303 | 1         | HUB ASSY.IDLER, G60-8<br>HUB COMPLETE W/LUG NUTS          |
| 11   | 28082103 | 1         | LUG NUT SET (8) IDLER<br>HUB COMPLETE W/LUG NUTS          |
| 12   | 28082203 | 1         | WHEEL STUD SET (8) IDLER<br>HUB COMPLETE W/LUG NUTS       |
| 13   | 28083503 | 1         | BOLT HEX FLG.1"X1/2"-13UNC GR5<br>HUB COMPLETE W/LUG NUTS |
| 14   | 28084303 | 1         | BOLT HEX FLG.1"X5/8"-11UNC GR8<br>HUB COMPLETE W/LUG NUTS |
| 15   | 28084403 | 1         | BOLT HEX 8"X1"-8 UNC<br>HUB COMPLETE W/LUG NUTS           |
| 16   | 28084503 | 1         | NUT 1"-8 UNC GR 8<br>HUB COMPLETE W/LUG NUTS              |



**E0850**

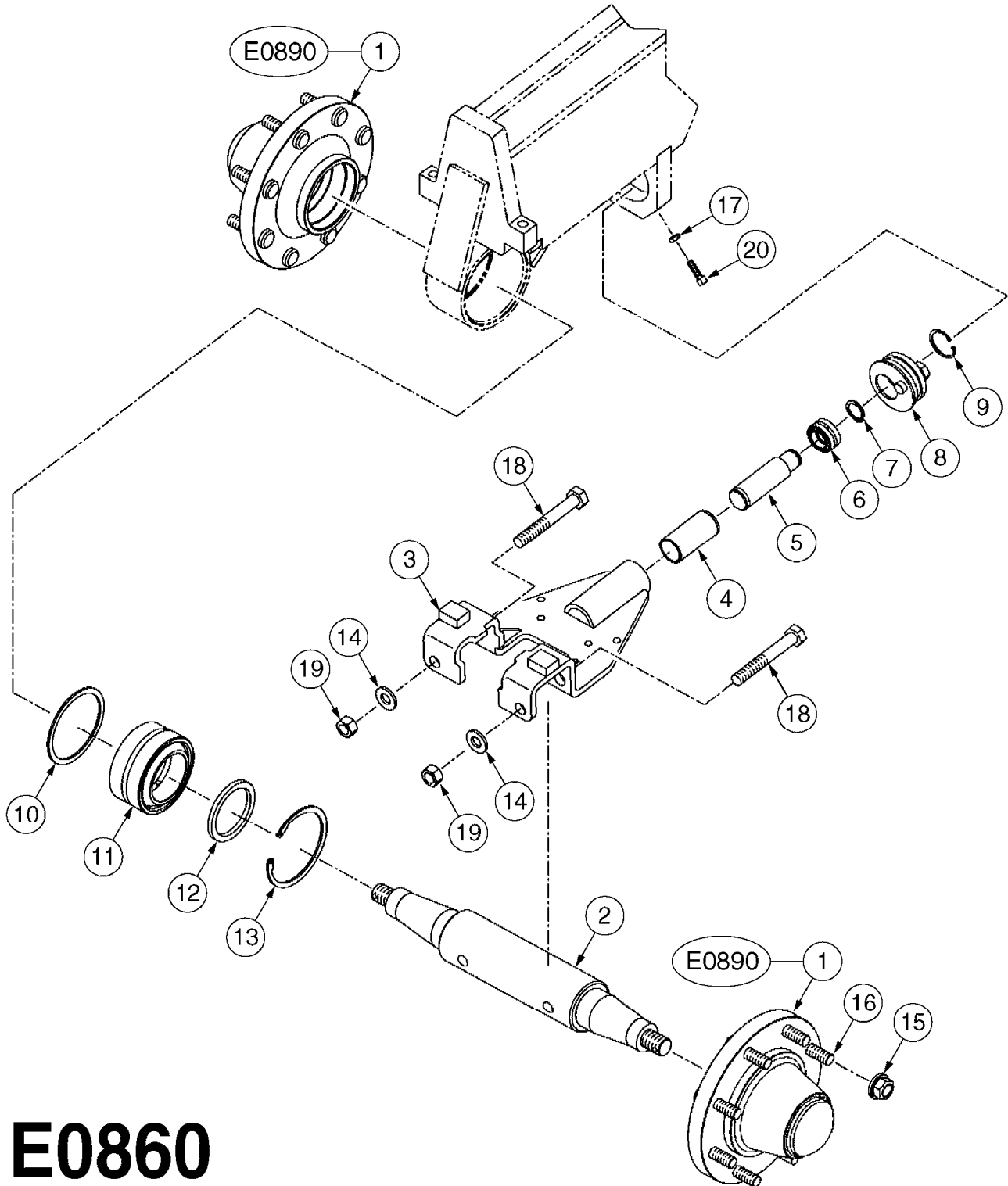


CAMOPLAST TENSIONER ASSEMBLY  
E0850-HIN, 01:01:16

Page 1

Date 16.03.2016 13:54

| Pos. | parts-n° | order qty | description                     |
|------|----------|-----------|---------------------------------|
| 1    | 28074003 | 1         | LOCK PLATE                      |
| 2    | 28074103 | 1         | SNAP RING                       |
| 3    | 28078403 | 1         | SPRING MOUNT                    |
| 4    | 28078503 | 1         | RETAINER PLATE                  |
| 5    | 28078603 | 1         | SLEEVE W/NOTCH                  |
| 6    | 28078703 | 1         | BUSHING 1/2"X1-1/4"ODX1"ID      |
| 7    | 28078803 | 1         | ACME SCREW                      |
| 8    | 28078903 | 1         | SLEEVE, EXTEN.1"X1/2"IDX1.04"OD |
| 9    | 28079003 | 1         | SEAT, WASHER                    |
| 10   | 28079103 | 1         | SPRING PILOT                    |
| 11   | 28083803 | 1         | BOLT HEX 2"X1/2"-13 UNC         |
| 12   | 28084603 | 1         | COTTER PIN 1-1/4" X 5/32"       |
| 13   | 28085103 | 1         | SPRING                          |
|      |          |           | SPRING FOR 30 SERIES            |
| 13   | 28085203 | 1         | SPRING 9" X 5" X 3/4"           |
|      |          |           | SPRING FOR 40 SERIES            |



**E0860**



CAMOPLAST ALIGNMENT ASSEMBLY  
E0860-HIN, 01:01:16

Page 1  
Date 16.03.2016 13:54

| Pos. | parts-n° | order qty | description                                               |
|------|----------|-----------|-----------------------------------------------------------|
| 1    | 28078303 | 1         | HUB ASSY.IDLER, G60-8<br>HUB COMPLETE W/LUG NUTS          |
| 2    | 28079203 | 1         | AXLE, FRONT IDLER<br>HUB COMPLETE W/LUG NUTS              |
| 3    | 28079303 | 1         | ALIGNMENT FRAME<br>HUB COMPLETE W/LUG NUTS                |
| 4    | 28079403 | 1         | ALIGNMENT BUSHING<br>HUB COMPLETE W/LUG NUTS              |
| 5    | 28079503 | 1         | ALIGNMENT PIN<br>HUB COMPLETE W/LUG NUTS                  |
| 6    | 28079603 | 1         | BEARING 1"IDX1.625"ODX0.875"<br>HUB COMPLETE W/LUG NUTS   |
| 7    | 28079703 | 1         | SNAP RING EXT. 1"<br>HUB COMPLETE W/LUG NUTS              |
| 8    | 28079803 | 1         | DISC, ECCENTRIC<br>HUB COMPLETE W/LUG NUTS                |
| 9    | 28079903 | 1         | SNAP RING, INT. 1-3/4"<br>HUB COMPLETE W/LUG NUTS         |
| 10   | 28080003 | 1         | SHIM, 12 GAUGE<br>HUB COMPLETE W/LUG NUTS                 |
| 11   | 28080103 | 1         | BEARING 3"IDX4.75"ODX2.625"<br>HUB COMPLETE W/LUG NUTS    |
| 12   | 28080203 | 1         | WASHER, 1/4"<br>HUB COMPLETE W/LUG NUTS                   |
| 13   | 28080303 | 1         | SNAP RING<br>HUB COMPLETE W/LUG NUTS                      |
| 14   | 28081203 | 1         | WASHER21/32"IDX1-5/16"ODX0.146<br>HUB COMPLETE W/LUG NUTS |
| 15   | 28082103 | 1         | LUG NUT SET (8) IDLER<br>HUB COMPLETE W/LUG NUTS          |
| 16   | 28082203 | 1         | WHEEL STUD SET (8) IDLER<br>HUB COMPLETE W/LUG NUTS       |
| 17   | 28083603 | 1         | JAM NUT 3/8"-16 UNC GR 8<br>HUB COMPLETE W/LUG NUTS       |
| 18   | 28084703 | 1         | BOLT 4-1/2" X 5/8"-11 UNC<br>HUB COMPLETE W/LUG NUTS      |
| 19   | 28084803 | 1         | NUT 5/8"-11 UNC GR 8<br>HUB COMPLETE W/LUG NUTS           |
| 20   | 28084903 | 1         | SET SCREW SQ.HD.1-1/2"X3/8"-16<br>HUB COMPLETE W/LUG NUTS |





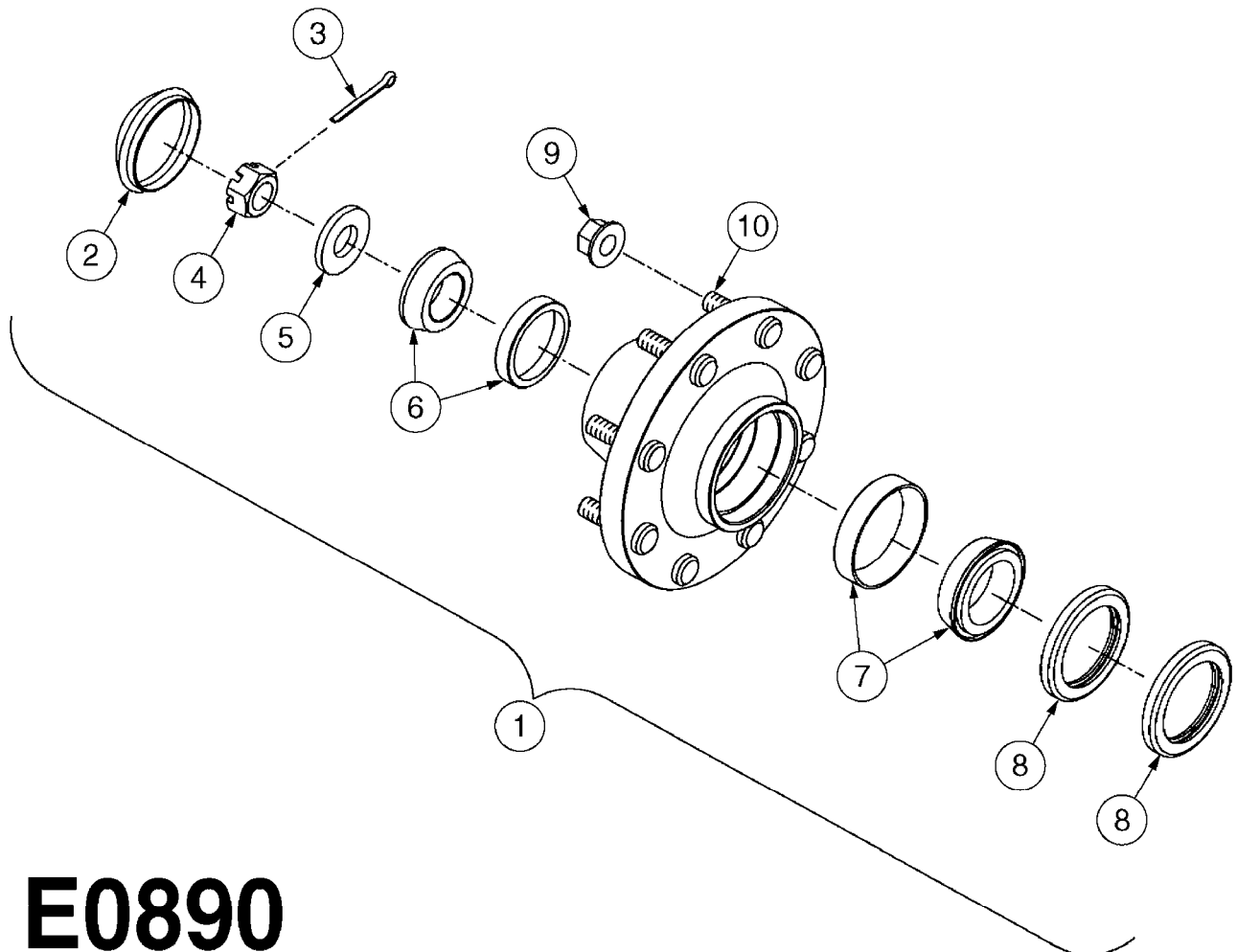


CAMOPLAST BOGIE MID-ROLLER 40  
E0880-HIN, 01:01:16

Page 1

Date 16.03.2016 13:54

| Pos. | parts-n° | order qty | description                                                |
|------|----------|-----------|------------------------------------------------------------|
| 1    | 28076003 | 1         | WASHER, 3"X2.02"X3/16"                                     |
| 2    | 28076103 | 1         | SNAP RING EXT. 2"                                          |
| 3    | 28080503 | 1         | BUSHING                                                    |
| 4    | 28080603 | 1         | HUB ASSY.MID-ROLLER<br>HUB COMPLETE W/LUG NUTS             |
| 5    | 28080703 | 1         | MID-ROLLER DOGHOUSE (40 SERIES)<br>HUB COMPLETE W/LUG NUTS |
| 6    | 28080803 | 1         | HOUSING, BOGIE<br>HUB COMPLETE W/LUG NUTS                  |
| 7    | 28080903 | 1         | AXLE, MID-ROLLER<br>HUB COMPLETE W/LUG NUTS                |
| 8    | 28081003 | 1         | SET SCREW, 3/4"X1/2"-13 UNC<br>HUB COMPLETE W/LUG NUTS     |
| 9    | 28081103 | 1         | PIN, BOGIE<br>HUB COMPLETE W/LUG NUTS                      |
| 10   | 28081203 | 1         | WASHER 21/32"IDX1-5/16"ODX0.146<br>HUB COMPLETE W/LUG NUTS |
| 11   | 28081303 | 1         | RETAINER ROD<br>HUB COMPLETE W/LUG NUTS                    |
| 12   | 28083003 | 1         | LUG NUT SET (6) MID-ROLLER<br>HUB COMPLETE W/LUG NUTS      |
| 13   | 28083103 | 1         | WHEEL STUD SET (6) MID-ROLLER<br>HUB COMPLETE W/LUG NUTS   |
| 14   | 28084103 | 1         | GREASE FITTING<br>HUB COMPLETE W/LUG NUTS                  |
| 15   | 28084603 | 1         | COTTER PIN 1-1/4" X 5/32"<br>HUB COMPLETE W/LUG NUTS       |
| 16   | 28085003 | 1         | CASTLE NUT 5/8"-11 UNC GR 5<br>HUB COMPLETE W/LUG NUTS     |



**E0890**

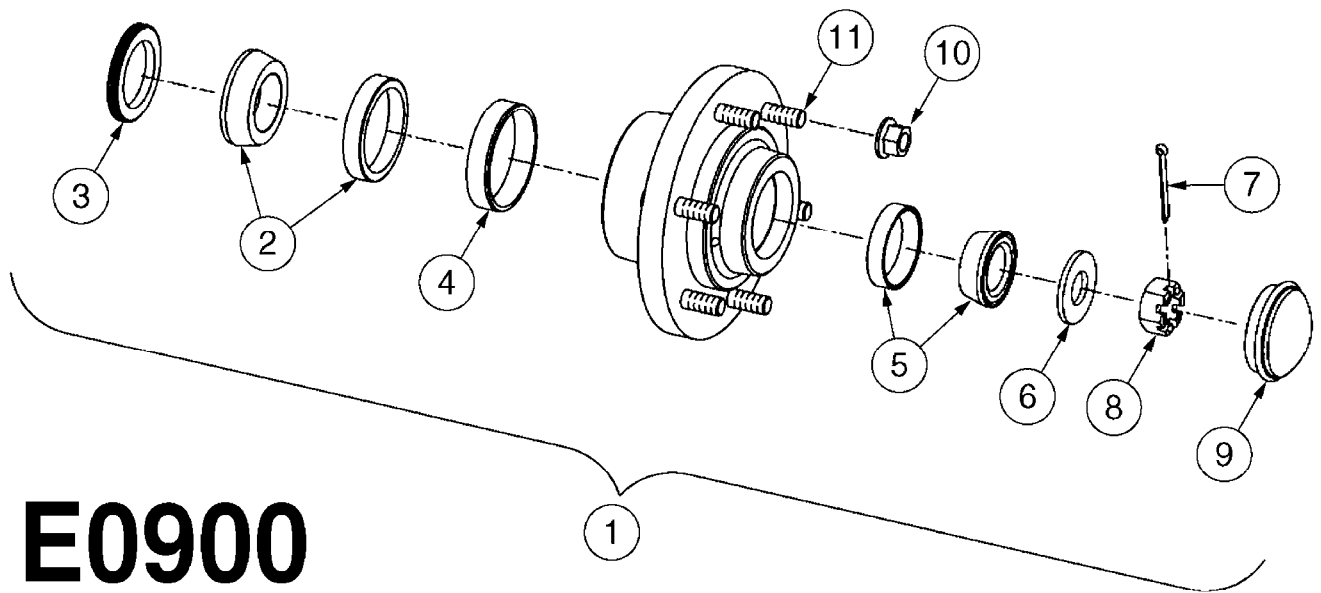


CAMOPLAST HUB ASSEMBLY - IDLER  
E0890-HIN, 01:01:16

Page 1

Date 16.03.2016 13:54

| Pos. | parts-n° | order qty | description                 |
|------|----------|-----------|-----------------------------|
| 1    | 28078303 | 1         | HUB ASSY.IDLER, G60-8       |
| 2    | 28081403 | 1         | DUST CAP                    |
| 3    | 28081503 | 1         | COTTER PIN 7/32" X 2-1/4"   |
| 4    | 28081603 | 1         | CASTLE NUT 1-1/4"-12        |
| 5    | 28081703 | 1         | WASHER 1.28"IDX2.5"ODX0.13" |
| 6    | 28081803 | 1         | BEARING ASSEMBLY - OUTER    |
| 7    | 28081903 | 1         | BEARING ASSEMBLY - INNER    |
| 8    | 28082003 | 1         | WHEEL SEAL, SINGLE LIP      |
| 9    | 28082103 | 1         | LUG NUT SET (8) IDLER       |
| 10   | 28082203 | 1         | WHEEL STUD SET (8) IDLER    |



**E0900**

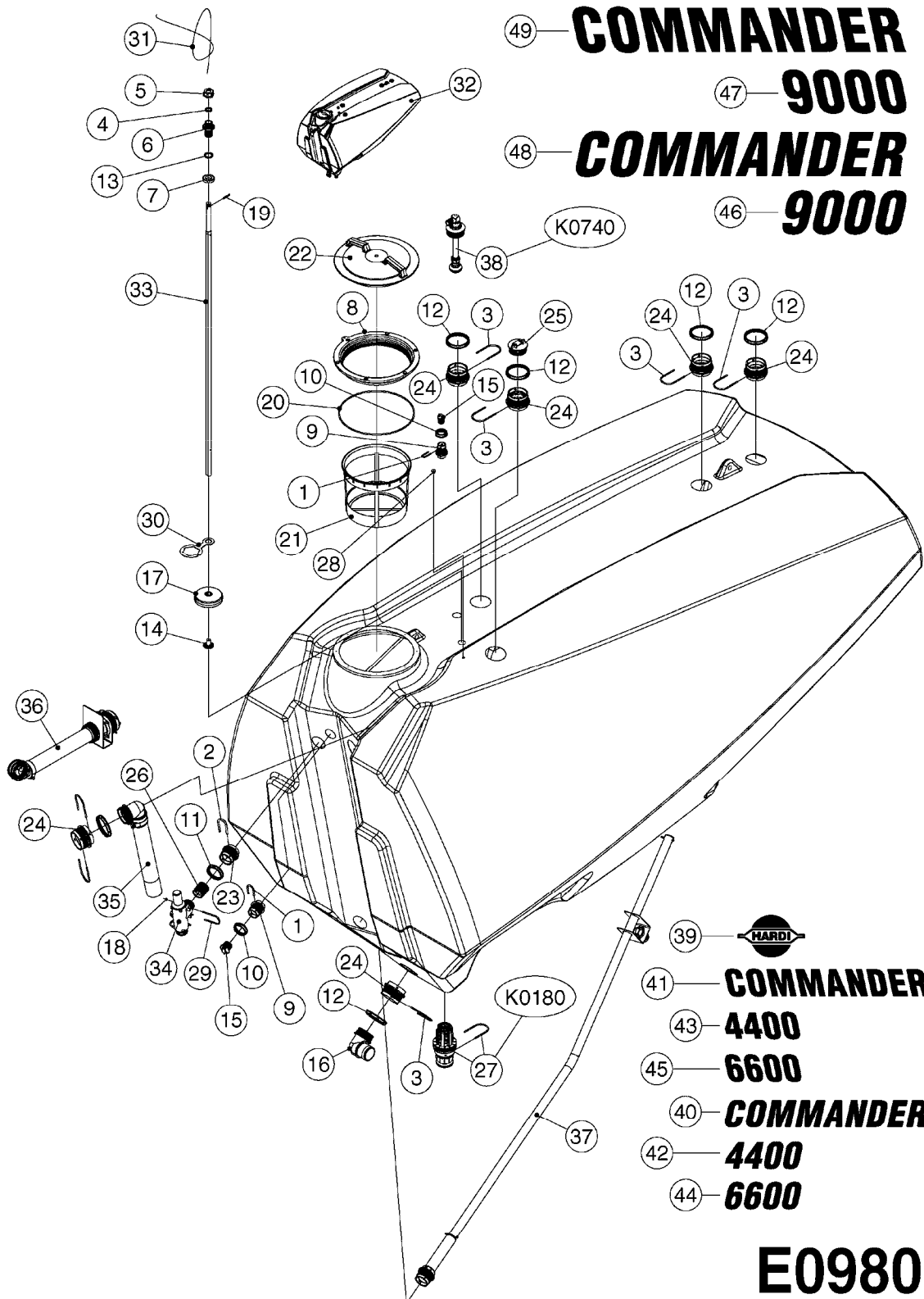


CAMOPLAST HUB ASSY. MID-ROLLER  
E0900-HIN, 01:01:16

Page 1

Date 16.03.2016 13:54

| Pos. | parts-n° | order qty | description                   |
|------|----------|-----------|-------------------------------|
| 1    | 28080603 | 1         | HUB ASSY.MID-ROLLER           |
| 2    | 28081803 | 1         | BEARING ASSEMBLY - OUTER      |
| 3    | 28082303 | 1         | WHEEL SEAL, TRIPLE LIP        |
| 4    | 28082403 | 1         | WEAR RING                     |
| 5    | 28082503 | 1         | BEARING ASSEMBLY, 783 OUTER   |
| 6    | 28082603 | 1         | WASHER 0.94"IDX2"ODX0.16"     |
| 7    | 28082703 | 1         | COTTER PIN 1-3/4" X 5/32"     |
| 8    | 28082803 | 1         | CASTLE NUT 7/8"-14 UNF        |
| 9    | 28082903 | 1         | DUST CAP 2-3/4"OD X 2-7/16"   |
| 10   | 28083003 | 1         | LUG NUT SET (6) MID-ROLLER    |
| 11   | 28083103 | 1         | WHEEL STUD SET (6) MID-ROLLER |





TANK NCM 4400/6600/9000  
E0980-HIN, 01:01:16

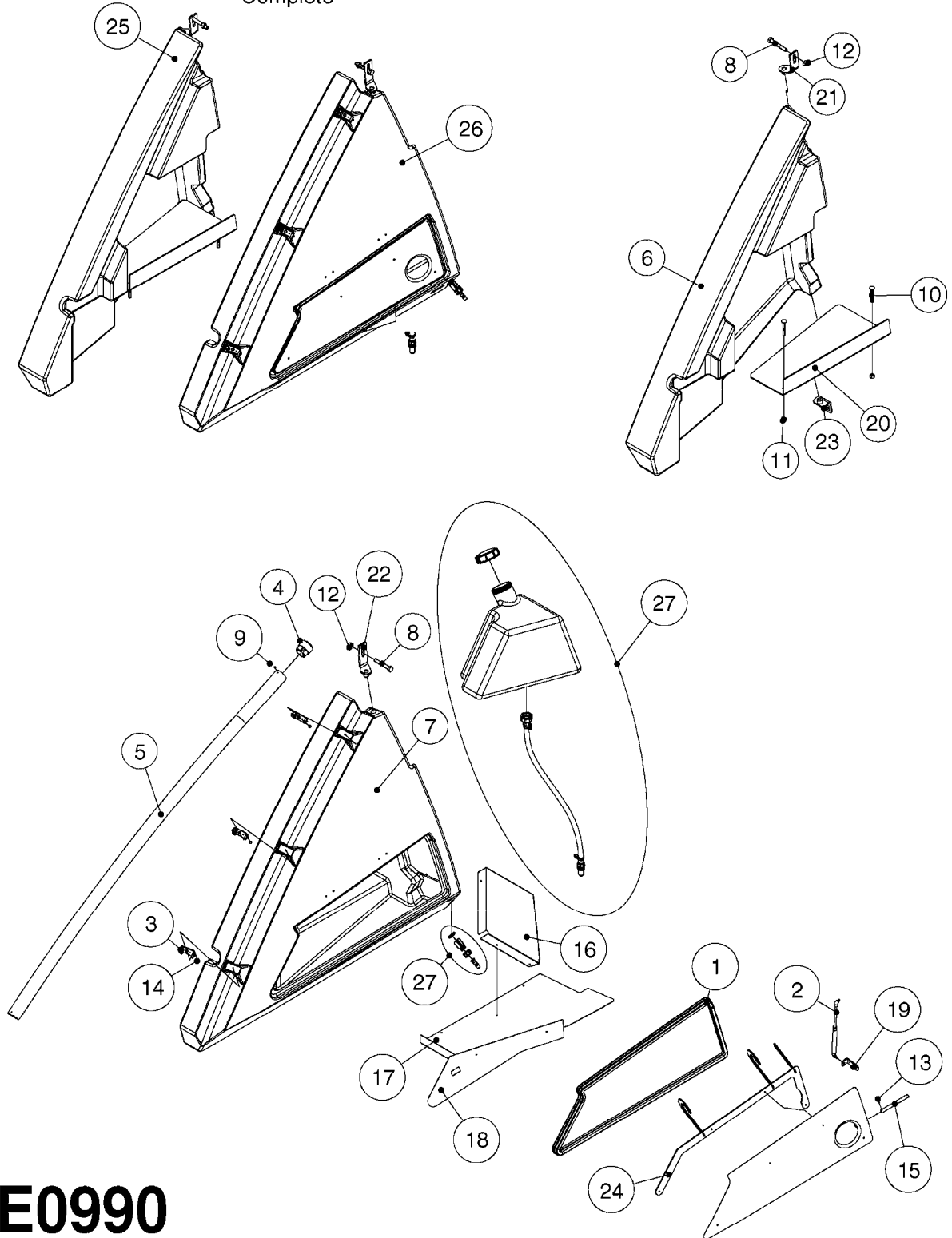
Page 1

Date 16.03.2016 13:55

| Pos. | parts-n° | order qty | description                      |
|------|----------|-----------|----------------------------------|
| 1    | 145994   | 1         | FITT.DK S-40 FORK                |
| 2    | 145996   | 1         | FITT.DK S-67 FORK                |
| 3    | 145997   | 1         | FITT.DK S-93 FORK                |
| 4    | 242309   | 1         | SEAL Ø22 ID Ø30 OD X 4 HIGH      |
| 5    | 320095   | 1         | FITT.DK NUT 1" BSP               |
| 6    | 320456   | 1         | FITT.DK BULKHEAD 1"BSP DOUBLE    |
| 7    | 320471   | 1         | FITT.DK NUT 1" BSP JAMB          |
| 8    | 322097   | 1         | THREADED RING F. LID             |
| 9    | 322102   | 1         | FITT.DK S-40 BULKHEAD            |
| 10   | 322106   | 1         | FITT.DK S-40 BULKHEAD NUT        |
| 11   | 322108   | 1         | FITT.DK S-67 BULKHEAD NUT        |
| 12   | 322109   | 1         | FITT.DK S-93 BULKHEAD NUT        |
| 13   | 332577   | 1         | O-RING D38/D30X4 F.1" PUR.       |
| 14   | 333864   | 1         | GUIDE F. SAFETY VALVE SPRING     |
| 15   | 334248   | 1         | FITT.DK S-40 PLUG                |
| 16   | 334340   | 1         | FITT.DK S-93 ELBOW 2.5"          |
| 17   | 334515   | 1         | FLOATER FOR LIQUID LEVEL         |
| 18   | 461217   | 1         | NUT HEX M5 LOCK                  |
| 19   | 480717   | 1         | PIN D5 X 40 STAINLESS            |
| 20   | 614588   | 1         | SEAL F. LID                      |
| 21   | 614602   | 1         | FILTER BASKET                    |
| 22   | 726003   | 1         | LID F. TANK                      |
| 23   | 726464   | 1         | FITT.DK S-67 BULKHEAD W/GASKET   |
| 24   | 726465   | 1         | FITT.DK S-93 BULKHEAD W/GASKET   |
| 25   | 726580   | 1         | FITT. S93 PLUG W/O-RING          |
| 26   | 728526   | 1         | FITT.DK S-67 CONNECT W. ORINGS   |
| 27   | 730084   | 1         | BOTTOM VALVE S93 2"RG-3M         |
| 28   | 14001500 | 1         | GROMMET F.TOP DRAIN CORD         |
| 29   | 14012200 | 1         | FITT.DK S-67 FORK W/M5 THREADS   |
| 30   | 16025500 | 1         | TANK SPACER SIGHT GAUGE          |
| 31   | 28034100 | 1         | CABLE F.LIQUID LEVEL IND.L=5M    |
| 32   | 35002004 | 1         | TANK RAW 9000 NCM                |
| 32   | 73128700 | 1         | TANK CM 4400 '15 ASSEMBLY        |
| 32   | 72265500 | 1         | TANK NCM 6600 ASSEMBLY           |
| 33   | 61036700 | 1         | GUIDE TUBE F.FLOAT NCM 4400      |
| 33   | 61038600 | 1         | GUIDE TUBE F.FLOAT NCM 9000      |
| 33   | 61038700 | 1         | GUIDE TUBE F.FLOAT NCM 6600      |
| 34   | 72280300 | 1         | SAFTY VALVE S67 15 BAR CM'05     |
| 35   | 72317500 | 1         | SUCT. HOSE 2-1/2"X1100<br>S39/90 |
| 36   | 72317600 | 1         | SUCT. HOSE 2"X900/S39-S93        |
| 37   | 72356900 | 1         | PRESSURE AGITATION CM 6600       |
| 37   | 72538900 | 1         | PRESSURE AGITATION CM 4400       |
| 38   | 72358000 | 1         | TANK RINSE LOW MOD.ASSMBLY NCM   |
| 39   | 97811600 | 1         | DECAL COMPANY 335MM X 210MM      |
| 40   | 97811700 | 1         | DECAL COMMANDER LEFT HAND        |
| 41   | 97811800 | 1         | DECAL COMMANDER RIGHT HAND       |
| 42   | 97812100 | 1         | DECAL 4400 LEFT HAND             |
| 43   | 97812200 | 1         | DECAL 4400 RIGHT HAND            |
| 44   | 97813800 | 1         | DECAL 6600 LEFT HAND             |
| 45   | 97813900 | 1         | DECAL 6600 RIGHT HAND            |
| 46   | 97815000 | 1         | DECAL 9000 LEFT                  |
| 47   | 97815100 | 1         | DECAL 9000 RIGHT                 |
| 48   | 97815200 | 1         | DECAL COMMANDER LEFT 145%        |
| 49   | 97815300 | 1         | DECAL COMMANDER RIGHT 145%       |



Complete



**E0990**



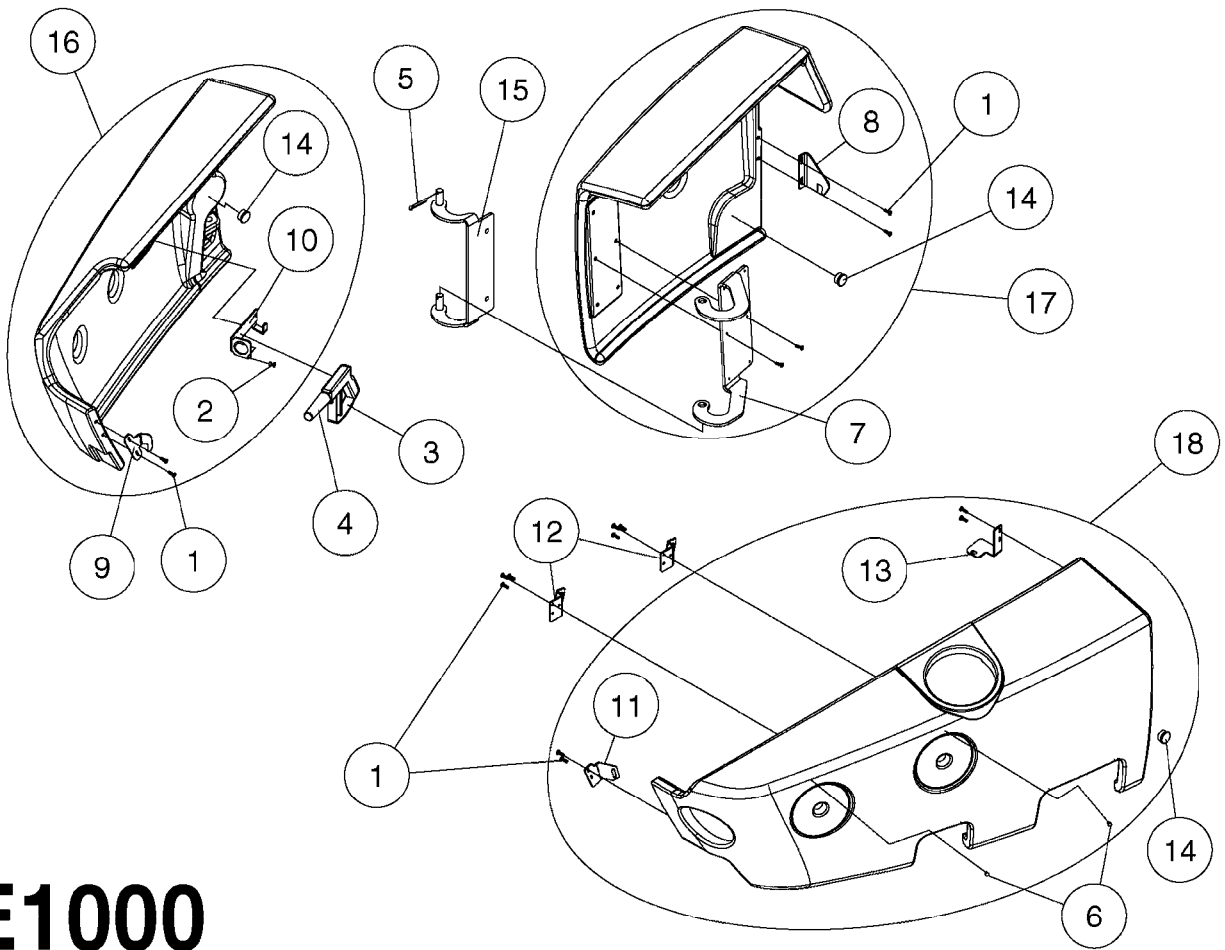


LOCKER & CLEAN WATER TANK NCM  
E0990-HIN, 01:01:16

Page 1

Date 16.03.2016 13:55

| Pos. | parts-n° | order qty | description                                 |
|------|----------|-----------|---------------------------------------------|
| 1    | 242474   | 1         | SEAL 16X28XL=' LOCKER DOOR CM+              |
| 2    | 285793   | 1         | GAS CYLINDER                                |
| 3    | 334523   | 1         | PIPE HOLDER D51.5                           |
| 4    | 334850   | 1         | GUIDE F. SIGHT GAUGE TUBE TOP               |
| 5    | 341307   | 1         | TUBE F.SIGHT GAUGE L=75"<br>NCM 4400        |
| 5    | 341339   | 1         | TUBE F.SIGHT GAUGE L=82"<br>NCM 6600        |
| 5    | 341340   | 1         | TUBE F.SIGHT GAUGE L=94" (2382)<br>NCM 9000 |
| 5    | 89109004 | 1         | DECAL SIGHT GAUGE 9000 LITERS               |
| 5    | 97609403 | 1         | DECAL SIGHT GAUGE CM4400 GAL.               |
| 5    | 97609803 | 1         | DECAL SIGHT GAUGE CM6600 GAL.               |
| 5    | 97610003 | 1         | DECAL SIGHT GAUGE NCM 9000 GAL              |
| 5    | 97808000 | 1         | DECAL SIGHT GAUGE CM4400 LITER              |
| 5    | 97813700 | 1         | DECAL SIGHT GAUGE CM6600 LITER              |
| 6    | 351766   | 1         | SIDE SHIELD MOUNT RIGHT                     |
| 7    | 351767   | 1         | SIDE SHIELD MOUNT LEFT                      |
| 8    | 430846   | 1         | BOLT HEX 8.8 DEL M12X80                     |
| 9    | 440333   | 1         | SCREW 3.5 X 9.5 SS                          |
| 10   | 440718   | 1         | BOLT CRG M10 X 65 DEL                       |
| 11   | 460423   | 1         | NUT HEX M10X1.5 LOCK                        |
| 12   | 460703   | 1         | NUT HEX M12X1.75 LOCK DIN985                |
| 13   | 480141   | 1         | PIN COTTER M4X20                            |
| 14   | 480809   | 1         | BLIND RIVET, EMHART ACD616ASM               |
| 15   | 15057800 | 1         | HANDLE F.LEFT SIDE LOCKER                   |
| 16   | 16124500 | 1         | DIVIDER F.LOCKER L.SIDE SHIELD              |
| 17   | 16124600 | 1         | SHELF FLOOR-LEFT SIDE LOCKER                |
| 18   | 16124700 | 1         | SHELF WALL-LEFT SIDE LOCKER                 |
| 19   | 16126900 | 1         | BRACKET F.DOOR-STORAGE LOCKER               |
| 20   | 16127300 | 1         | SHELF FLOOR-RIGHT SIDE LOCKER               |
| 21   | 61033900 | 1         | BRACKET F. SIDE PANEL R.H. NCM              |
| 22   | 61034000 | 1         | BRACKET F. SIDE PANEL L.H. NCM              |
| 23   | 61037500 | 1         | ADJUSTING BRACKET, BOTTOM NCM               |
| 24   | 63037800 | 1         | BRACKET F.DOOR-STORAGE LOCKER               |
| 25   | 72280100 | 1         | SIDE SHIELD RIGHT NCM COMPLETE              |
| 26   | 72280200 | 1         | SIDE SHIELD LEFT+CLEAN W.TANK               |
| 27   | 72280600 | 1         | CLEAN W.TANK LEFT SIDE NCM                  |



**E1000**

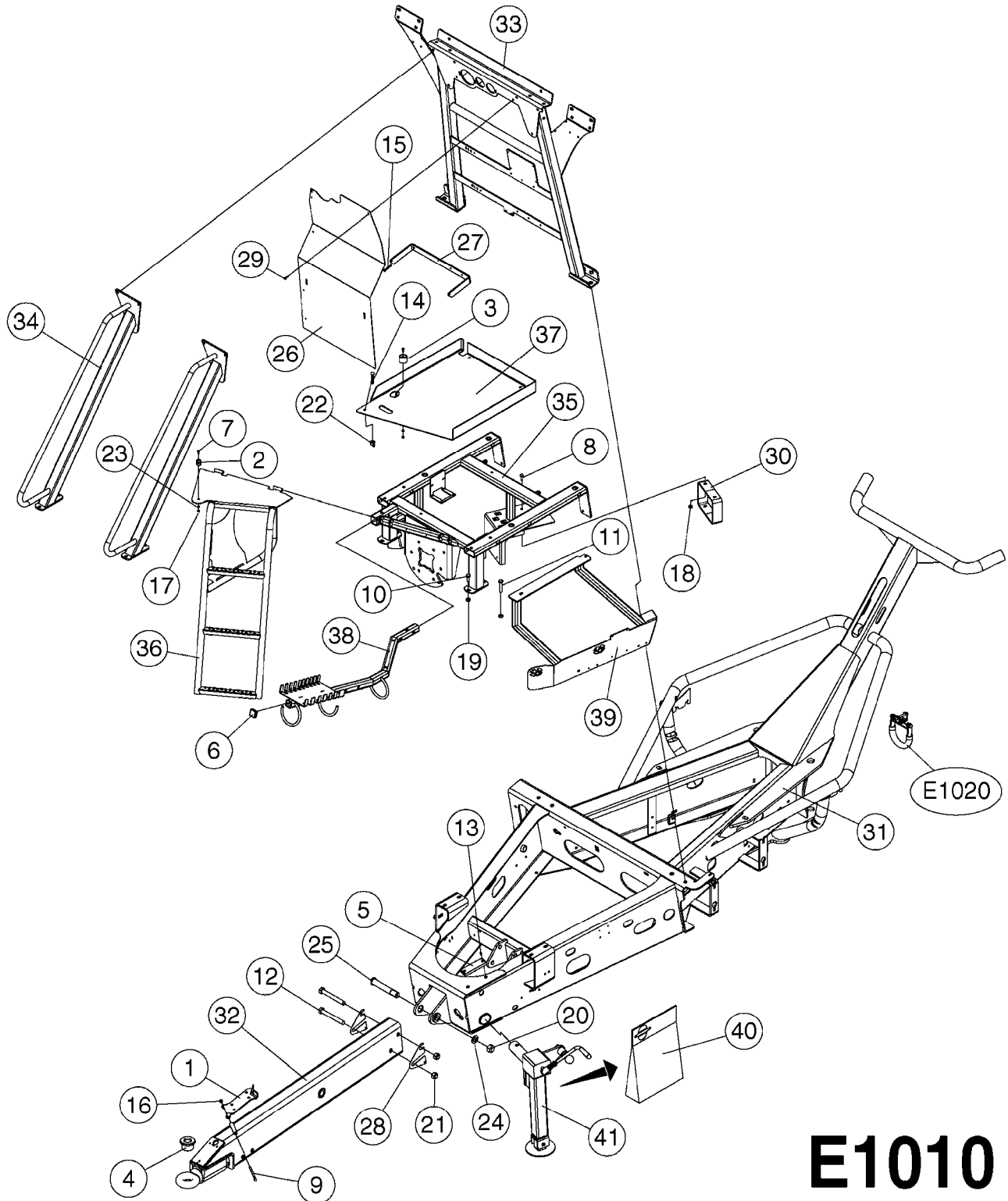


SHIELDS NCM 4400/6600/9000  
E1000-HIN, 01:01:16

Page 1

Date 16.03.2016 13:55

| Pos. | parts-n° | order qty | description                    |
|------|----------|-----------|--------------------------------|
| 1    | 440719   | 1         | SCREW F.PLASTIC KB60x20 SS     |
| 2    | 480809   | 1         | BLIND RIVET, EMHART ACD616ASM  |
| 3    | 725663   | 1         | PISTOL 60 COVER PART           |
| 4    | 725664   | 1         | FRONTPART F.SPRAY GUN MODEL 60 |
| 5    | 10008603 | 1         | COTTER PIN 1/8"X 1-1/2"        |
| 6    | 14042800 | 1         | INDICATOR FOR VALVE POSITION   |
| 7    | 16133800 | 1         | HINGE F.GREY SHIELD CM '05     |
| 8    | 16133900 | 1         | HOOK F.GREY SHIELD CM '05      |
| 9    | 16134000 | 1         | BKT F. FRONT RH COVER NCM      |
| 10   | 16134100 | 1         | BRACKET. HAND GUN HOLDER NCM   |
| 11   | 16135300 | 1         | BKT F. FRONT LH COVER NCM      |
| 12   | 16135400 | 1         | MIDDLE HANGER LEFT GRAY SIDE   |
| 13   | 16135500 | 1         | BKT F. FRONT LH COVER NCM      |
| 14   | 28046900 | 1         | COVER PLUG 1" BLACK            |
| 15   | 61035500 | 1         | HINGE BRACKET FOR CM05 LOCKER  |
| 16   | 72294000 | 1         | SHEILD R.H.FRONT ASSM. NCM     |
| 17   | 72294100 | 1         | SHEILD R.H. CHEM-LOCKER ASSM.  |
| 18   | 72294900 | 1         | SHEILD L.H.FRONT ASSM. NCM     |



**E1010**

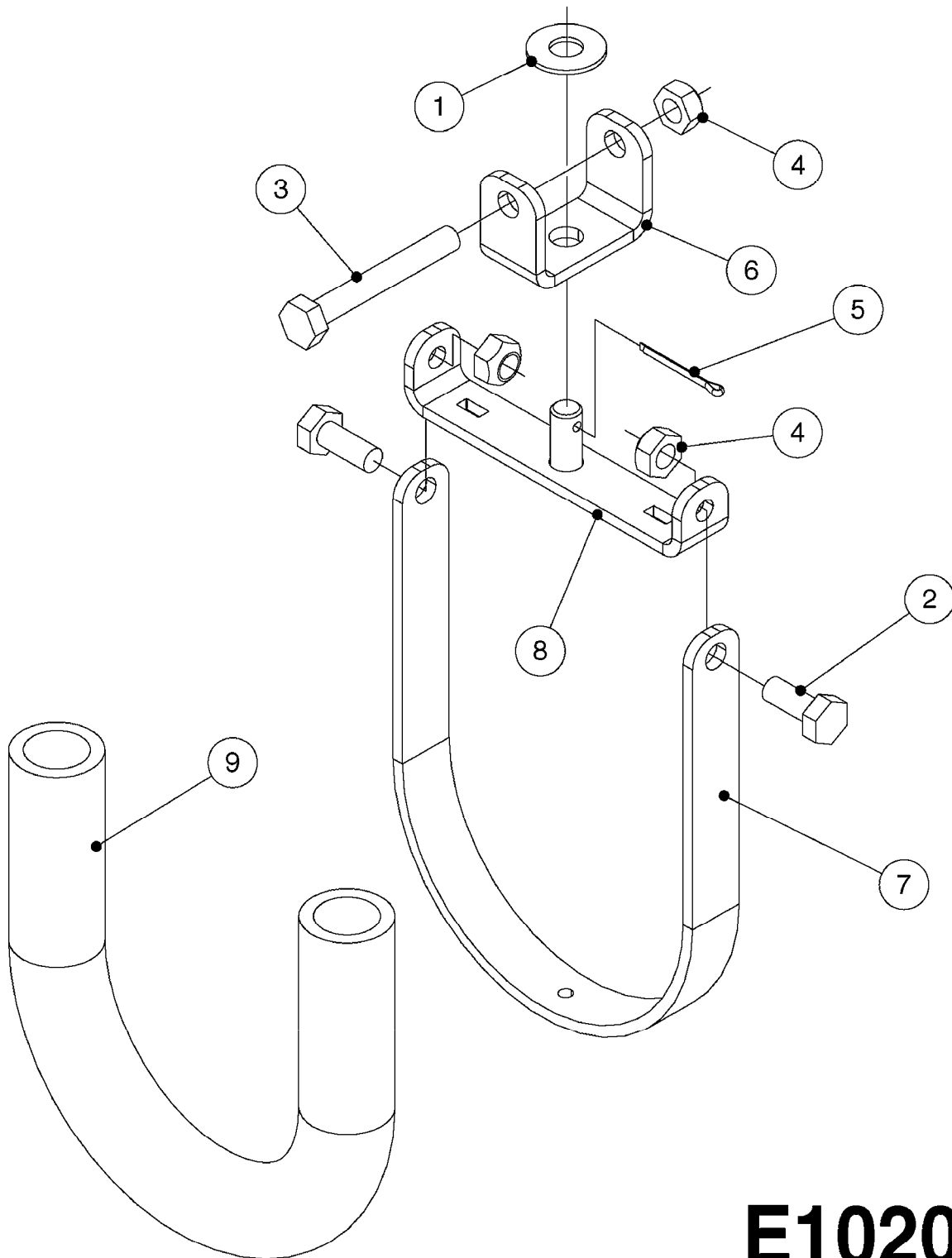


FRAME - NCM 4400/6600  
E1010-HIN, 01:01:16

Page 1

Date 16.03.2016 13:55

| Pos. | parts-n° | order qty | description                                                |
|------|----------|-----------|------------------------------------------------------------|
| 1    | 161923   | 1         | SUPPORT PLATE F. PTO CM+                                   |
| 2    | 242567   | 1         | DOOR STOP, MALE                                            |
| 3    | 242568   | 1         | DOOR STOP, FEMALE                                          |
| 4    | 14011603 | 1         | BUSHING F. DRAWBAR NCM 1.5"                                |
| 4    | 270608   | 1         | BUSHING F. DRAWBAR NCM Ø50/Ø33                             |
| 5    | 334135   | 1         | SLIDE SHOE 140X45X15                                       |
| 6    | 334571   | 1         | TAPON 40x40x2 EMBELLECEDOR                                 |
| 7    | 410185   | 1         | BOLT HEX 8.8 DEL M6X16 A2                                  |
| 8    | 421002   | 1         | BOLT HEX 8.8 DEL M10X30 FT DIN933                          |
| 9    | 421232   | 1         | BOLT HEX 8.8 DEL M8X110                                    |
| 10   | 430286   | 1         | BOLT HEX 8.8 DEL M12X30 FT                                 |
| 11   | 430438   | 1         | BOLT HEX 8.8 DEL M12X65                                    |
| 12   | 430886   | 1         | BOLT HEX 8.8 DEL M20X160                                   |
| 13   | 440708   | 1         | SCREW M5.5X16 SELF TAPPING SS                              |
| 14   | 440718   | 1         | BOLT CRG M10 X 65 DEL                                      |
| 15   | 450402   | 1         | BOLT HEX M6X50                                             |
| 16   | 460143   | 1         | NUT HEX M8 LOCK A2 DIN985                                  |
| 17   | 460261   | 1         | NUT HEX M6X1 LOCK A2 DIN985                                |
| 18   | 460423   | 1         | NUT HEX M10X1.5 LOCK                                       |
| 19   | 460703   | 1         | NUT HEX M12X1.75 LOCK DIN985                               |
| 20   | 460747   | 1         | NUT HEX M24 LOCK                                           |
| 21   | 460806   | 1         | NUT HEX M20X2.5 LOCK                                       |
| 22   | 461324   | 1         | NUT WING M10 STAINLESS STEEL                               |
| 23   | 471125   | 1         | WASHER, M6, Ø12/ 6.4X 1.6, SS                              |
| 24   | 471130   | 1         | WASHER, M24, Ø44/25.0X 4.0, SS                             |
| 25   | 14033300 | 1         | PIN D30.0 F. DRAWBAR NCM                                   |
| 26   | 16128300 | 1         | COVER F. EL-BOX. NCM 4400                                  |
| 26   | 16156000 | 1         | COVER F. EL-BOX. NCM 6600                                  |
| 27   | 16128600 | 1         | BRACKET F. COVER PLATE NCM                                 |
| 28   | 16144700 | 1         | SHIM F. DRAWBAR NCM4400                                    |
| 29   | 45001500 | 1         | SCREW THUMB PLASTIC HEAD M6x20                             |
| 30   | 61018703 | 1         | BRKT, ACE 650, COMMANDER<br>MOUNT BRACKET FOR ACE 650 PUMP |
| 31   | 63033300 | 1         | FRAME NCM 4400 PAINTED                                     |
| 31   | 63043300 | 1         | FRAME NCM 6600 PAINTED                                     |
| 32   | 63033500 | 1         | DRAWBAR SWIVEL D50 NCM 4400                                |
| 33   | 63033600 | 1         | TRANSPORT FRAME NCM 4400                                   |
| 33   | 63043600 | 1         | TRANSPORT FRAME NCM 6600                                   |
| 34   | 63033700 | 1         | HANDRAIL FOR PLATFORM PAINTED                              |
| 35   | 63034100 | 1         | MOUNT PLATFORM NCM 4400                                    |
| 35   | 63043700 | 1         | MOUNT PLATFORM NCM 6600                                    |
| 36   | 63035700 | 1         | STEP FOR NCM 4400/6600                                     |
| 37   | 63035800 | 1         | DECKPLATE F.PLATFORM NCM 4400                              |
| 37   | 63043800 | 1         | DECKPLATE F.PLATFORM NCM 6600                              |
| 38   | 63038700 | 1         | HOSE & CABLE SUPPORT NCM                                   |
| 39   | 63040500 | 1         | VALVE CONSOLE PAINTED                                      |
| 40   | 72280700 | 1         | REPAIR KIT F.JACK STAND                                    |
| 41   | 72280900 | 1         | JACK STAND F. NCM4400 COMP.                                |



**E1020**



SWIVEL HOSE GUARD - NCM  
E1020-HIN, 01:01:16

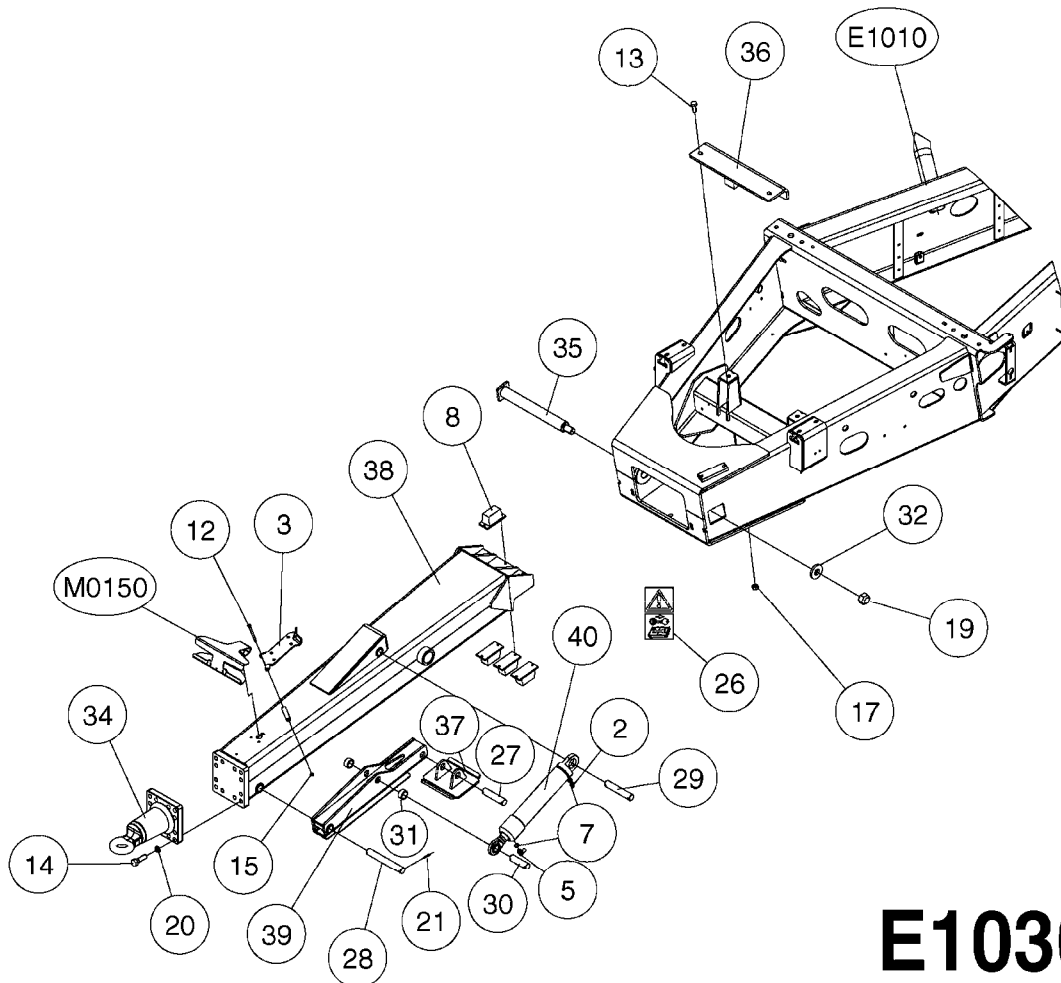
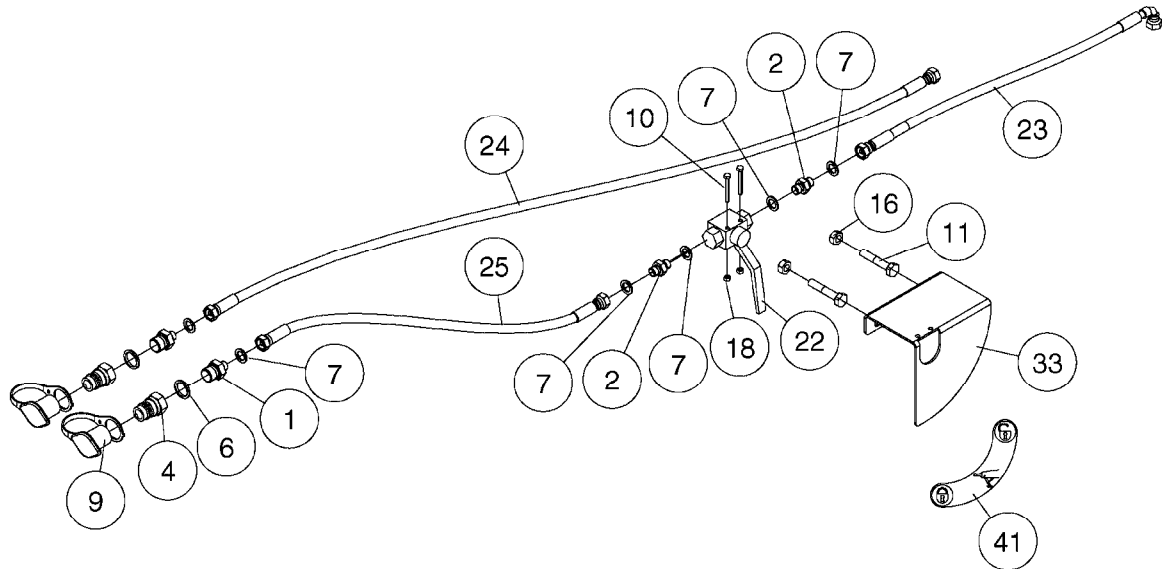
Page 1

Date 16.03.2016 13:55

| Pos. | parts-n° | order qty | description                       |
|------|----------|-----------|-----------------------------------|
| 1    | 165557   | 1         | WASHER D28.0/D12.2X2.0 SS         |
| 2    | 420604   | 1         | BOLT HEX 8.8 DEL M10X25 FT DIN933 |
| 3    | 421222   | 1         | BOLT HEX 8.8 DEL M10X75 FT        |
| 4    | 460423   | 1         | NUT HEX M10X1.5 LOCK              |
| 5    | 480126   | 1         | PIN COTTER M4X30                  |
| 6    | 16143600 | 1         | HOSE AND CABLE HOLDER TOP         |
| 7    | 16160900 | 1         | HOSE AND CABLE GUARD 160X502MM    |
| 7    | 16187700 | 1         | HOSE AND CABLE GUARD 160X402MM    |
| 8    | 61042200 | 1         | HOSE AND CABLE HOLDER PIVOT       |
| 9    | 92712403 | 1         | HOSE R X1" X300PSI WP X0012"      |



HYD. DRAWBAR - NCM 6600  
E1030-HIN, 01:01:16



**E1030**



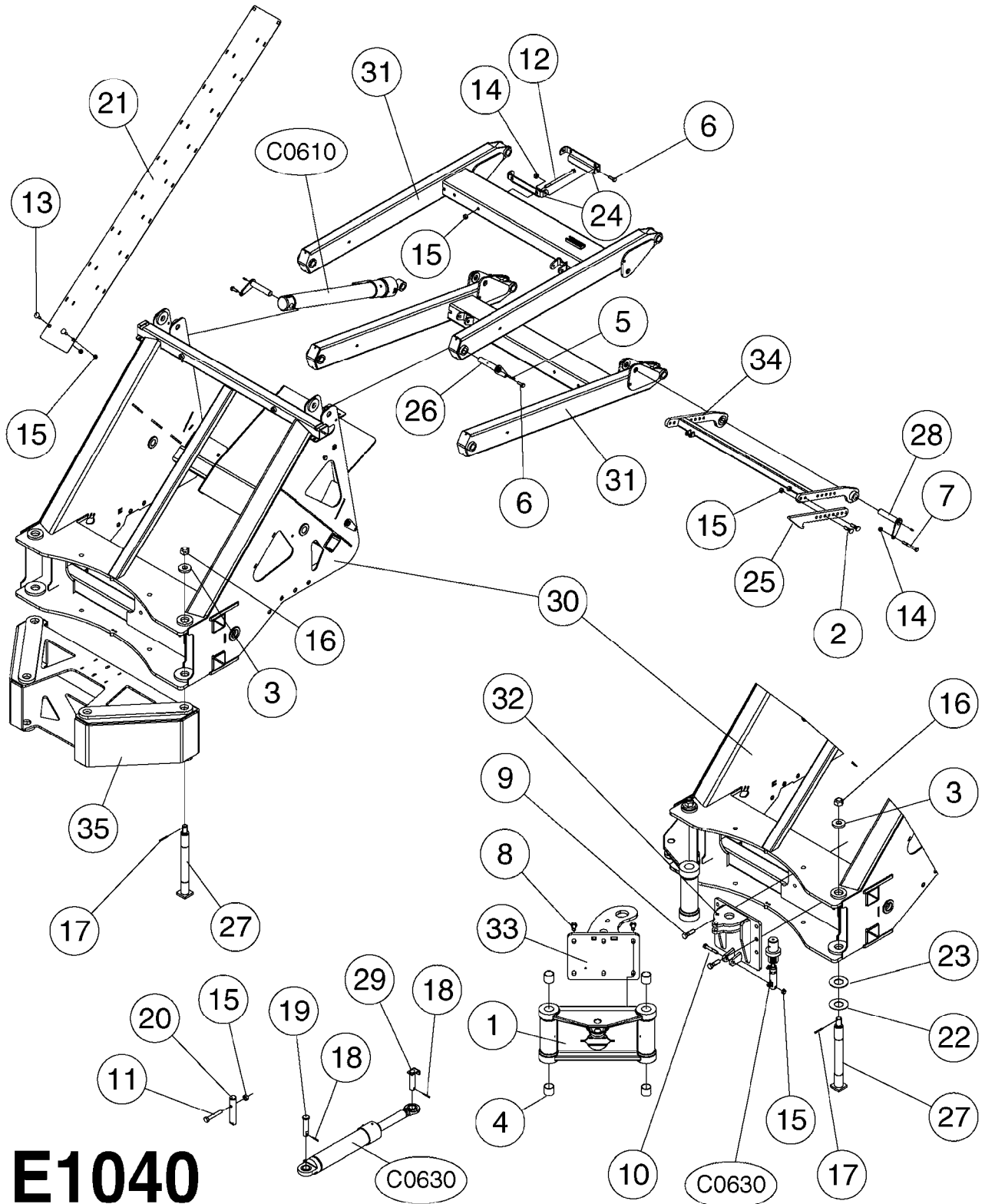


HYD. DRAWBAR - NCM 6600  
E1030-HIN, 01:01:16

Page 1

Date 16.03.2016 13:55

| Pos. | parts-n° | order qty | description                    |
|------|----------|-----------|--------------------------------|
| 1    | 146846   | 1         | HEX NIPPLE 1/2" X 1/4"         |
| 2    | 146851   | 1         | HEX NIPPLE 1/4"x1/4" 0.7MM     |
| 3    | 161923   | 1         | SUPPORT PLATE F. PTO CM+       |
| 4    | 230311   | 1         | QUICK COUPLING 1/2"            |
| 5    | 232294   | 1         | HYD.FITTING 1/4"X1/4"          |
| 6    | 241356   | 1         | DOWTYSEAL 1/2"                 |
| 7    | 241404   | 1         | DOWTY SEAL 1/4"                |
| 8    | 242587   | 1         | RUBBER SUS. ELEMENT 66 DRAWBAR |
| 9    | 334206   | 1         | DUST HOOD FOR HY-COUPLING      |
| 10   | 421142   | 1         | BOLT HEX 8.8 DEL M5X40         |
| 11   | 421224   | 1         | BOLT HEX 8.8 DEL M10X55        |
| 12   | 421232   | 1         | BOLT HEX 8.8 DEL M8X110        |
| 13   | 430581   | 1         | BOLT HEX 8.8 DEL M16X40 FT     |
| 14   | 430981   | 1         | BOLT HEX M20X65 DIN931-8.8 DEL |
| 15   | 460143   | 1         | NUT HEX M8 LOCK A2 DIN985      |
| 16   | 460423   | 1         | NUT HEX M10X1.5 LOCK           |
| 17   | 460585   | 1         | NUT HEX M16X2 LOCK             |
| 18   | 461217   | 1         | NUT HEX M5 LOCK                |
| 19   | 461316   | 1         | NUT HEX LOCK M30X3.5           |
| 20   | 471180   | 1         | LOCK WASHER NORDLOCK M20 ELZ   |
| 21   | 480733   | 1         | PIN D6 X 40                    |
| 22   | 781049   | 1         | HYD. BALL VALVE                |
| 23   | 784001   | 1         | HOSE HY X 1/4 X 067.00"STR+ELB |
| 24   | 784143   | 1         | HOSE HY X 1/4 X 138" STR+STR   |
| 25   | 784161   | 1         | HOSE HY X 1/4 X 59" STR+STR    |
| 26   | 978436   | 1         | DECAL - WARNING! SERVICE       |
| 27   | 14047100 | 1         | PIN D30.0 L= 132 /D6.0         |
| 28   | 14047200 | 1         | PIN D30.0 L= 223 /D6.0         |
| 29   | 14047300 | 1         | PIN D30.0 L= 161 /D6.0         |
| 30   | 14047400 | 1         | PIN D30.0 L= 104 /D6.0         |
| 31   | 15073000 | 1         | THREADED PIPE 1-1/4" L=20      |
| 32   | 16155900 | 1         | DISC D70.0/ 31.0X10.0/RED      |
| 33   | 16160000 | 1         | PLATE F. HYD. VALVE CM66/9000  |
| 34   | 28061000 | 1         | SWIVEL HITCH D50/12 BOLT       |
| 35   | 61037800 | 1         | PIN F. STEERING 6600           |
| 36   | 61038500 | 1         | BRACKET FOR DRAWBAR NCM 6600   |
| 37   | 61039700 | 1         | FOOT F. HYD. JACK NCM6600      |
| 38   | 63043900 | 1         | DRAWBAR ADJUSTABLE CM6600      |
| 39   | 63045400 | 1         | SUPPORT LEG HYD. JACK 6600     |
| 40   | 78123300 | 1         | DBL CYL D70/40-320 AIR INLET L |
| 41   | 97814500 | 1         | DECAL JACK STAND LOCK VALVE    |



**E1040**



FRAME - REAR W/PARALIFT NCM  
E1040-HIN, 01:01:16

Page

1

Date

16.03.2016 13:55

| Pos. | parts-n° | order qty | description                             |
|------|----------|-----------|-----------------------------------------|
| 1    | 111708   | 1         | STEER ARM NCM 4400 PAINTED RED          |
| 1    | 111710   | 1         | STEER ARM NCM 6600 PAINTED RED          |
| 2    | 140225   | 1         | BOLT SPECIAL F.PARALIFT M12x50          |
| 3    | 147454   | 1         | WASHER D60/D25X10                       |
| 3    | 16155900 | 1         | DISC D70.0/ 31.0X10.0/RED<br>NCM 4400   |
| 4    | 210776   | 1         | BUSHING F.TWIN STEERING ARM<br>NCM 6600 |
| 4    | 210865   | 1         | BUSHING 40mm40mm DU<br>NCM 4400         |
| 5    | 283699   | 1         | GREASE NIPPLE M6X1                      |
| 6    | 421002   | 1         | BOLT HEX 8.8 DEL M10X30 FT DIN933       |
| 7    | 421218   | 1         | BOLT HEX 8.8 DEL M10X90                 |
| 8    | 430684   | 1         | BOLT HEX 8.8 DEL M16X30 FT<br>NCM 4400  |
| 8    | 45001800 | 1         | SCREW ALLEN M20X45 12.9 DE<br>NCM 6600  |
| 9    | 430765   | 1         | BOLT HEX 8.8 DEL M16X55                 |
| 10   | 430802   | 1         | BOLT HEX 8.8 DEL M12X75                 |
| 11   | 430846   | 1         | BOLT HEX 8.8 DEL M12X80                 |
| 12   | 430908   | 1         | BOLT HEX 8.8 DEL M12X200                |
| 13   | 451070   | 1         | CARRIAGE BOLT M12X30                    |
| 14   | 460423   | 1         | NUT HEX M10X1.5 LOCK                    |
| 15   | 460703   | 1         | NUT HEX M12X1.75 LOCK DIN985            |
| 16   | 460747   | 1         | NUT HEX M24 LOCK<br>NCM 4400            |
| 16   | 461316   | 1         | NUT HEX LOCK M30X3.5<br>NCM 6600        |
| 17   | 480384   | 1         | PIN COTTER 3/16 x 1-1/2"                |
| 18   | 480502   | 1         | PIN RETAINING M10X50 DIN 1481           |
| 19   | 14033600 | 1         | PIN Ø40/Ø29.8<br>Ø10 L=133<br>NCM 4400  |
| 20   | 14051400 | 1         | PIN Ø35.1/Ø12 L=164<br>NCM 6600         |
| 21   | 16121400 | 1         | SHEET HOSE HOLDER PARALIFT NCM          |
| 22   | 16125200 | 1         | DISC D90/42 X 2 RED<br>NCM 4400         |
| 22   | 16155700 | 1         | DISC D115/52 X 2 RED<br>NCM 6600        |
| 23   | 16125300 | 1         | DISC D90/42 X 3 RED<br>NCM 4400         |
| 23   | 16155800 | 1         | DISC D115/52 X 3 RED<br>NCM 6600        |
| 24   | 16145100 | 1         | SWIVEL FOR HOSE SUPPORT                 |
| 25   | 16166200 | 1         | HOOK F.TRANSF STOP W.HOLING             |
| 25   | 16193500 | 1         | HOOK F.PARALIFT LOCK SHORT NCM          |
| 26   | 61030700 | 1         | PIN Ø25 L=117                           |
| 27   | 61033700 | 1         | PIN F. STEERING 4400                    |
| 27   | 61037800 | 1         | PIN F. STEERING 6600                    |
| 28   | 61035700 | 1         | PIN Ø25 L=125                           |
| 29   | 61036400 | 1         | PIN D29.8 L=97<br>NCM 4400              |
| 29   | 61038100 | 1         | PIN D34.8<br>NCM 6600                   |
| 30   | 63033400 | 1         | REAR FRAME NCM 4400 PAINTED             |
| 30   | 63043400 | 1         | REAR FRAME NCM 6600 PAINTED             |
| 31   | 63034200 | 1         | PARALIFT NCM 4400/6600                  |
| 32   | 63036100 | 1         | CONSOLE F. TRAPEZE LOCK CM "05          |

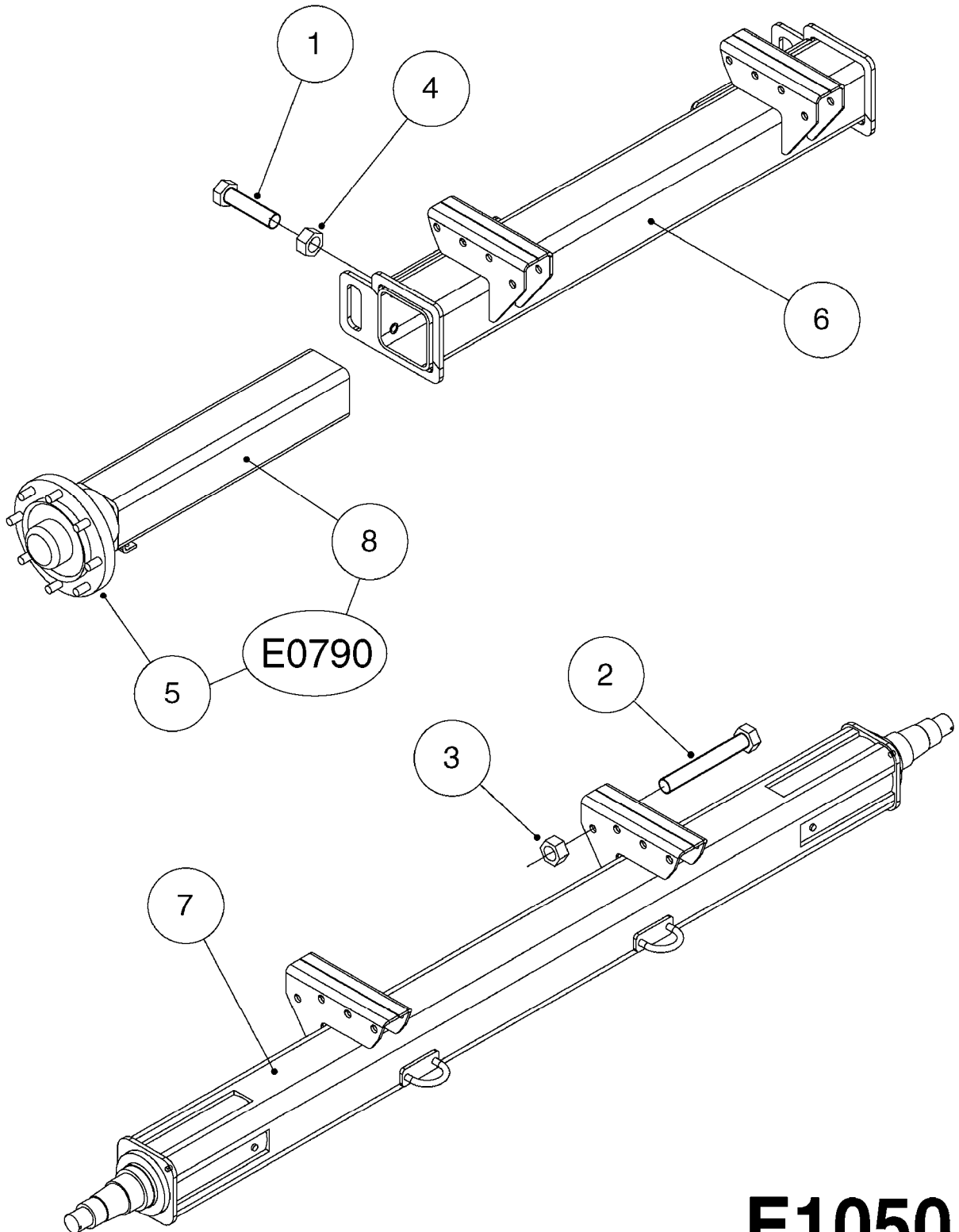


FRAME - REAR W/PARALIFT NCM  
E1040-HIN, 01:01:16

Page 2

Date 16.03.2016 13:55

| Pos. | parts-n° | order qty | description                               |
|------|----------|-----------|-------------------------------------------|
| 33   | 63036200 | 1         | LATCH F. TRAPEZE LOCK CM "05"<br>NCM 4400 |
| 33   | 63044000 | 1         | LATCH F. TRAPEZE LOCK CM6600              |
| 34   | 63037000 | 1         | PARALIFT LOCK ARM NCM                     |
| 35   | 63037700 | 1         | MOUNT FOR REAR FRAME NCM 4400             |
| 35   | 63046000 | 1         | MOUNT FOR REAR FRAME NCM 6600             |



**E1050**

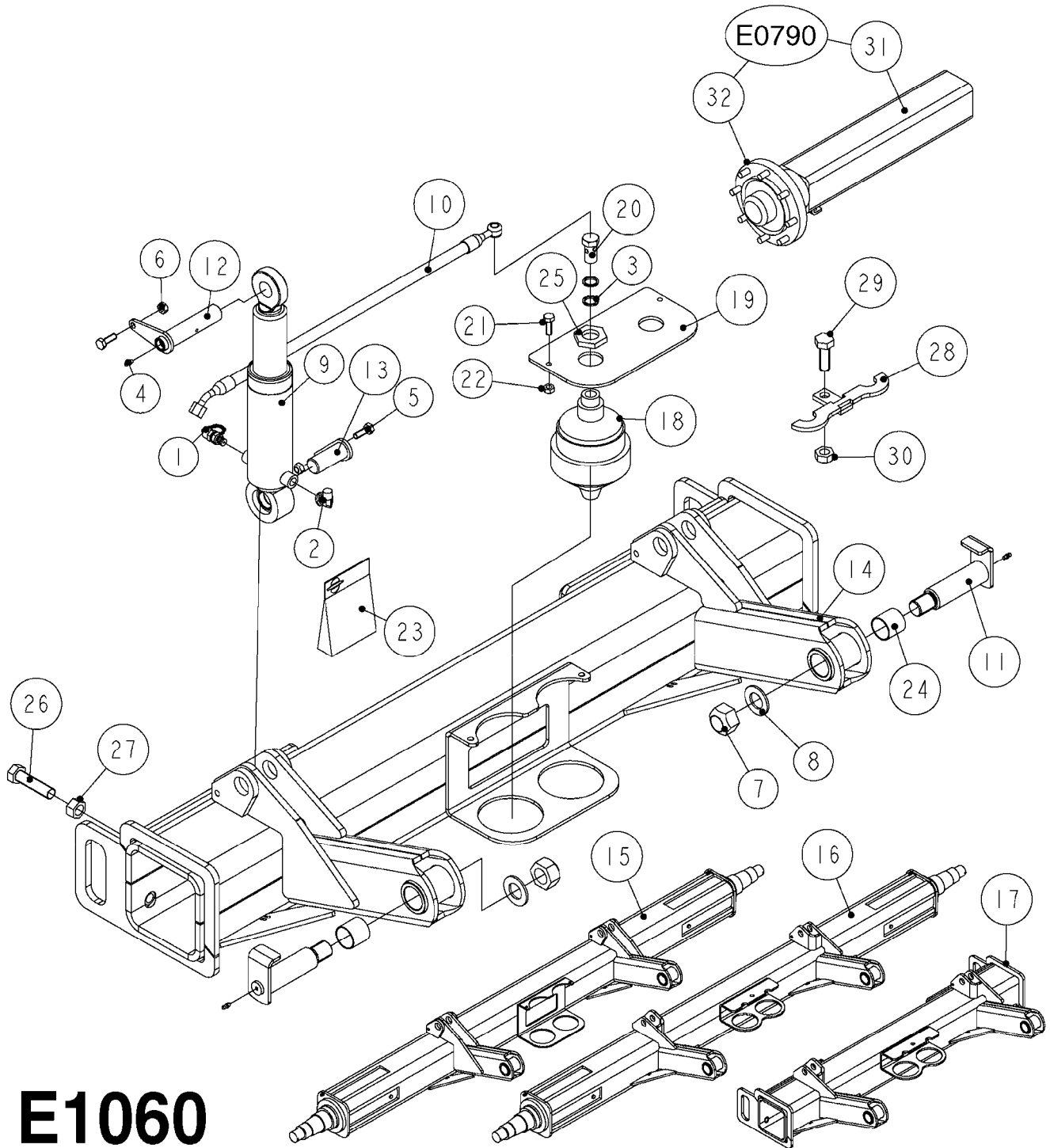


NCM 4400/6600 NON-SUSPEND.AXLE  
E1050-HIN, 01:01:16

Page 1

Date 16.03.2016 13:55

| Pos. | parts-n° | order qty | description                    |
|------|----------|-----------|--------------------------------|
| 1    | 430920   | 1         | BOLT HEX M20x80MM              |
| 2    | 430979   | 1         | BOLT HEX M20x140 8.8 DELTA     |
| 3    | 460806   | 1         | NUT HEX M20X2.5 LOCK           |
| 4    | 461228   | 1         | NUT HEX M20                    |
| 5    | 28045703 | 1         | HUB ASSY 10-13.19-11.02 25000# |
| 6    | 63024303 | 1         | AXLE W/M SUSP. FIXED CM"05"    |
| 7    | 63033603 | 1         | AXLE NON-SUSPENDED NCM 44 120" |
| 8    | 63033703 | 1         | AXLE INSERT NCM 44/66/9000     |



**E1060**



NCM 4400/6600 SUSPENDED AXLE  
E1060-HIN, 01:01:16

Page

1

Date

16.03.2016 13:55

| Pos. | parts-n° | order qty | description                                     |
|------|----------|-----------|-------------------------------------------------|
| 1    | 231955   | 1         | NIPPLE F. PRESS GAUGE 1/4" BSP                  |
| 2    | 232278   | 1         | NIPPLE 3/8"/90° W. UNION NUT<br>NCM 4400        |
| 2    | 232293   | 1         | ELBOW 90° 1/2"x1/2"<br>NCM 6600                 |
| 3    | 241356   | 1         | DOWTYSEAL 1/2"                                  |
| 4    | 283699   | 1         | GREASE NIPPLE M6X1                              |
| 5    | 421002   | 1         | BOLT HEX 8.8 DEL M10X30 FT DIN933<br>NCM 4400   |
| 5    | 421105   | 1         | M10X45 MACHINE SCREW STAINLESS<br>NCM 6600      |
| 6    | 460423   | 1         | NUT HEX M10X1.5 LOCK                            |
| 7    | 461316   | 1         | NUT HEX LOCK M30X3.5                            |
| 8    | 471131   | 1         | WASHER, M30, Ø56/31.0X 4.0, SS                  |
| 9    | 781136   | 1         | HYDRAULIC SHOCK NCM4400 SUSP.<br>NCM 4400       |
| 9    | 781137   | 1         | HYDRAULIC SHOCK NCM6600 SUSP.<br>NCM 6600       |
| 10   | 28051600 | 1         | HYD. HOSE 3/8" L=745 OML45°/BA<br>NCM 4400      |
| 10   | 28060300 | 1         | HYD. HOSE 1/2" L=710 OML45°/BA<br>NCM 6600      |
| 11   | 61030600 | 1         | PIN THREADED Ø40/L=124 M30-3.0<br>NCM 4400      |
| 11   | 61037700 | 1         | PIN THREADED Ø40/L=181 M30-3.5<br>NCM 6600      |
| 12   | 14044000 | 1         | PIN Ø35 L=165 DELTA<br>NCM 6600                 |
| 12   | 61030800 | 1         | PIN Ø30/L=127<br>NCM 4400                       |
| 13   | 61031100 | 1         | PIN Ø30/L=81<br>NCM 4400                        |
| 13   | 61037600 | 1         | PIN Ø34.8/L=94<br>NCM 6600                      |
| 14   | 63027003 | 1         | AXLE W/M SUSP. ADJ. NCM6600<br>NCM 6600         |
| 15   | 63026903 | 1         | AXLE W/M SUSP. FIXED NCM6600<br>NCM 6600        |
| 16   | 63024403 | 1         | AXLE W/M SUSP. FIXED CM"05"<br>NCM 4400         |
| 17   | 63024203 | 1         | AXLE W/M SUSP. ADJ. CM"05"<br>NCM 4400          |
| 18   | 28023900 | 1         | ACCUMULATOR 0.75L/70 BAR CM"05<br>NCM 4400      |
| 18   | 28059400 | 1         | ACCUMULATOR NCM6600 SUSPENSION<br>NCM 6600      |
| 19   | 16155600 | 1         | ACCUMULATOR MT. PLATE 6600<br>NCM 6600          |
| 20   | 232291   | 1         | BANJO BOLT 1/2" BSP                             |
| 21   | 421046   | 1         | BOLT HEX 8.8 DEL M8X25 FT A2 DIN933<br>NCM 6600 |
| 22   | 460143   | 1         | NUT HEX M8 LOCK A2 DIN985<br>NCM 6600           |
| 23   | 28064100 | 1         | GASKET SET FOR CYL. 781136<br>NCM 4400          |
| 23   | 28064200 | 1         | GASKET SET FOR CYL. 781137<br>NCM 6600          |
| 24   | 210863   | 1         | BUSHING DU FLNG. D40/44 L=26<br>NCM 4400        |
| 24   | 210865   | 1         | BUSHING 40mm40mm DU<br>NCM 6600                 |



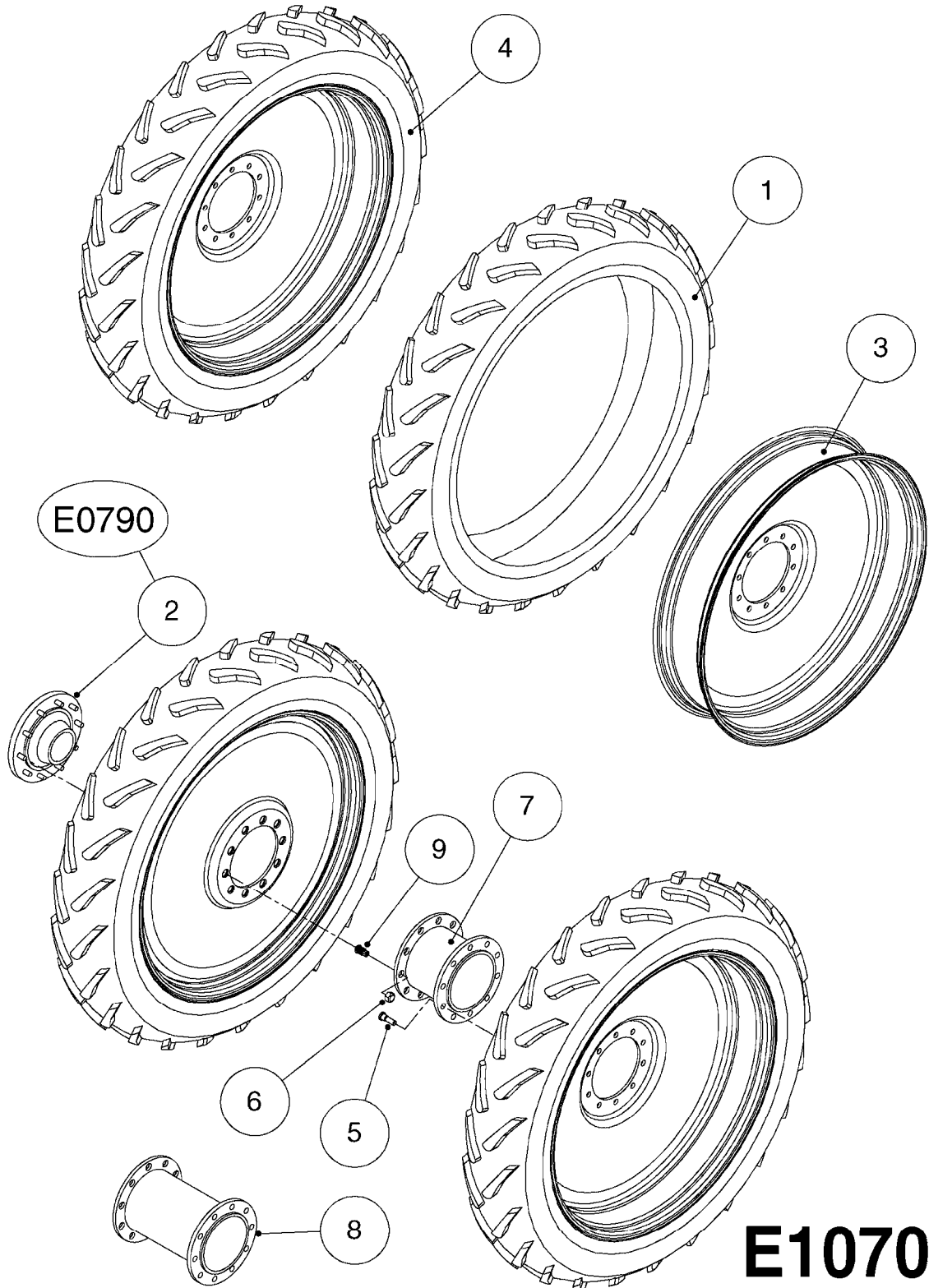


NCM 4400/6600 SUSPENDED AXLE  
E1060-HIN, 01:01:16

Page 2

Date 16.03.2016 13:55

| Pos. | parts-n° | order qty | description                                |
|------|----------|-----------|--------------------------------------------|
| 25   | 14022800 | 1         | NUT M33-1.5/NV=55/L=8                      |
| 26   | 430920   | 1         | BOLT HEX M20x80MM                          |
| 27   | 461228   | 1         | NUT HEX M20                                |
| 28   | 61011703 | 1         | ACCUMULATOR MT. BKT. NCM 4400<br>NCM 4400  |
| 29   | 430581   | 1         | BOLT HEX 8.8 DEL M16X40 FT<br>NCM 4400     |
| 30   | 460585   | 1         | NUT HEX M16X2 LOCK<br>NCM 4400             |
| 31   | 63023703 | 1         | AXLE W/M CM44/66/9 W/SPIN.ADJ.<br>NCM 4400 |
| 32   | 28045703 | 1         | HUB ASSY 10-13.19-11.02 25000#             |





WHEELS FOR NEW COMMANDER  
E1070-HIN, 01:01:16

Page 1

Date 16.03.2016 13:55

| Pos. | parts-n° | order qty | description                      |
|------|----------|-----------|----------------------------------|
| 1    | 10615703 | 1         | TIRE 320<br>90R46' RAD.TL 357774 |
| 2    | 28045703 | 1         | HUB ASSY 10-13.19-11.02 25000#   |
| 3    | 28007103 | 1         | RIM,10x46,5.75NOS,13.189BC       |
| 4    | 28031203 | 1         | TIRE ASSY. 320/90R50" HL R.H.    |
| 4    | 28031303 | 1         | TIRE ASSY. 320/90R50" HL L.H.    |
| 4    | 28037603 | 1         | TIRE ASSY.320/90R50" R.H. DUAL   |
| 4    | 28037703 | 1         | TIRE ASSY.320/90R50" L.H. DUAL   |
| 4    | 28038603 | 1         | TIRE 320/90R50" 161A8B HI LOAD   |
| 4    | 70006303 | 1         | WHEEL ASM. 320/90R46 LH          |
| 4    | 70006703 | 1         | WHEEL ASM. 320/90R46 RH          |
| 5    | 28034803 | 1         | STUD 3/4"NF/5/8"KNURL L=2-5/8"   |
| 6    | 46000303 | 1         | NUT, BUD WHEEL, OUTER, RH        |
| 7    | 61011203 | 1         | DUAL SPACER 22" ROW 50" TIRE     |
| 8    | 61011303 | 1         | DUAL SPACER 30" ROW 50" TIRE     |
| 9    | 46000203 | 1         | NUT, BUD WHEEL, INNER, RH        |



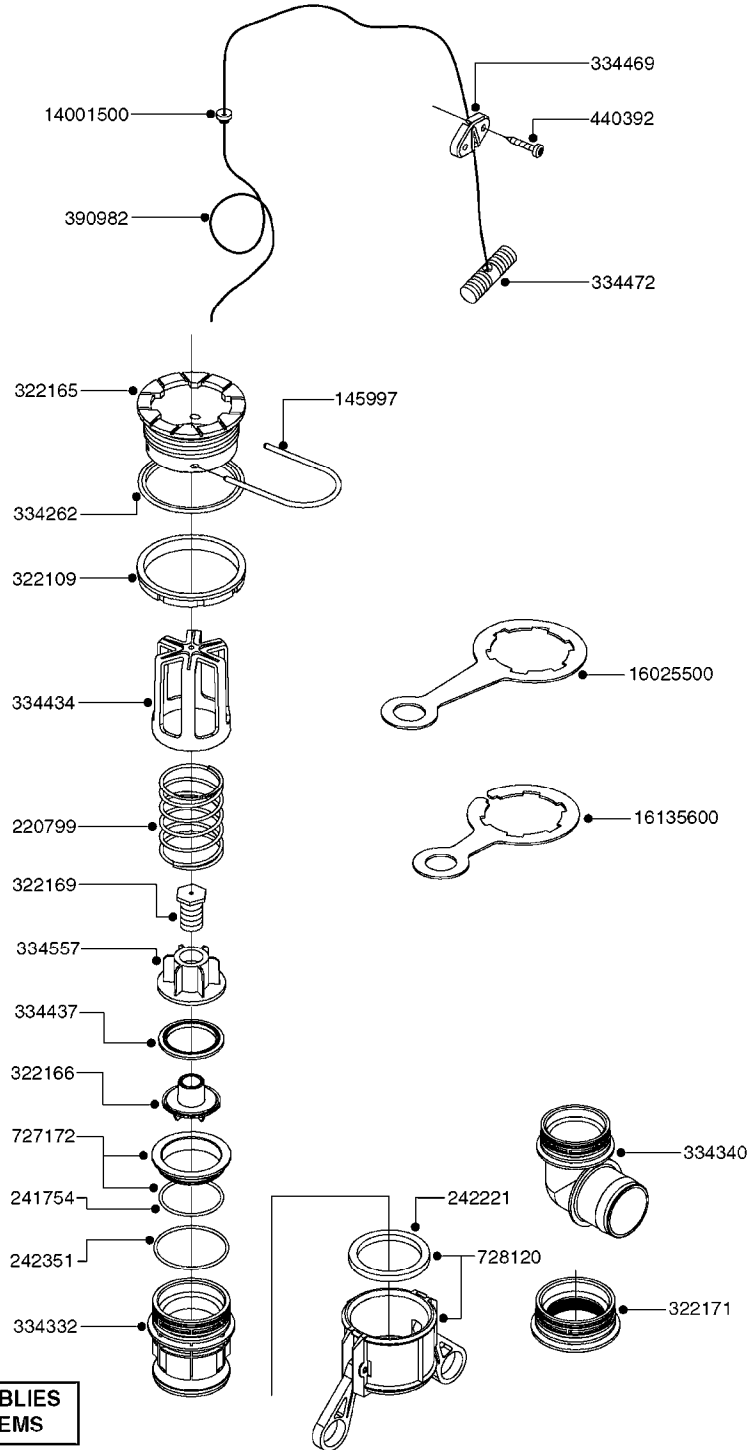


CHEMICAL FILLER-HOPPER NCM  
K0110-HIN, 01:01:16

Page 1

Date 16.03.2016 13:55

| Pos. | parts-n° | order qty | description                         |
|------|----------|-----------|-------------------------------------|
| 1    | 145996   | 1         | FITT.DK S-67 FORK                   |
| 2    | 151162   | 1         | PIN F. LID HINGE CHEM-FILLER        |
| 3    | 220949   | 1         | SPRING Ø20.0/3.0 L=240 BLACK        |
| 4    | 220951   | 1         | SPRING D15/1.5 L=90 20V             |
| 5    | 242222   | 1         | GASKET 19.0 X 10.0 X 3.3 EPDM       |
| 6    | 242355   | 1         | O-RING D19.2X3.0 VITON F.S-40       |
| 7    | 242563   | 1         | NEOPRENE SEAL 10X10                 |
| 8    | 320084   | 1         | FITT.DK NUT 1/2" BSP                |
| 9    | 320563   | 1         | FITT.DK 3 WAY 1/2" 110 DEG.         |
| 10   | 320655   | 1         | FITT.DK HN 1/2"-1/2" BSP            |
| 11   | 321307   | 1         | FITT.DK NUT 1/2" BSP JAMB           |
| 12   | 322102   | 1         | FITT.DK S-40 BULKHEAD               |
| 13   | 322106   | 1         | FITT.DK S-40 BULKHEAD NUT           |
| 14   | 322108   | 1         | FITT.DK S-67 BULKHEAD NUT           |
| 15   | 334237   | 1         | FITT.DK S-40 ELB.3/8'               |
| 16   | 334259   | 1         | GASKET F. S-40 BULKHEAD             |
| 17   | 351769   | 1         | HOPPER FOR CHEMFILLER               |
| 18   | 351770   | 1         | LID F. TURBO FILL NCM               |
| 19   | 371552   | 1         | NOZZLE F.RINSING                    |
| 20   | 372044   | 1         | NOZZLE FOR CHEMFILLER               |
| 21   | 410185   | 1         | BOLT HEX 8.8 DEL M6X16 A2           |
| 22   | 420604   | 1         | BOLT HEX 8.8 DEL M10X25 FT DIN933   |
| 23   | 421046   | 1         | BOLT HEX 8.8 DEL M8X25 FT A2 DIN933 |
| 24   | 440392   | 1         | SCREW 6.3 X 25.0 DIN7981C TORX      |
| 25   | 440632   | 1         | SCREW M4X13                         |
| 26   | 451070   | 1         | CARRIAGE BOLT M12X30                |
| 27   | 460143   | 1         | NUT HEX M8 LOCK A2 DIN985           |
| 28   | 460423   | 1         | NUT HEX M10X1.5 LOCK                |
| 29   | 460703   | 1         | NUT HEX M12X1.75 LOCK DIN985        |
| 30   | 471140   | 1         | WASHER D30/D10.5X2.5 STAINLESS      |
| 31   | 480798   | 1         | ROLL PIN D3X30 DIN1481 RST          |
| 32   | 726464   | 1         | FITT.DK S-67 BULKHEAD W/GASKET      |
| 33   | 726552   | 1         | FIT.DK S-53X90 1/2" BSP,O-RING      |
| 34   | 727543   | 1         | VALVE F.CHEM FILL JUG RINSE         |
| 35   | 741830   | 1         | BUSHINGS F.PARALLELARMS             |
| 36   | 14036900 | 1         | HAND GRIP FOR CHEMFILLER            |
| 37   | 16137400 | 1         | PLATE BACK F. CHEM-FILL NCM         |
| 38   | 16137700 | 1         | GUIDE BRACKET F.CHEMFILL LOCK       |
| 39   | 16138100 | 1         | SUPPORT FOR CONSOLE                 |
| 40   | 16149500 | 1         | HOOK LATCH F.CHEMFILL'05            |
| 41   | 28029803 | 1         | CLAMP HOSE GEAR P1/2" 6708          |
| 42   | 28054500 | 1         | ANGLE HOSE BARB 90 1/2 10MM         |
| 43   | 28055800 | 1         | LOCK (SNAP CLIP) SS                 |
| 44   | 61038200 | 1         | HANDLE F.CHEMFILL LOCK '05          |
| 45   | 63035000 | 1         | MOUNT.BRACKET F.CHEMFILL RIGHT      |
| 46   | 63035100 | 1         | MOUNT.BRACKET F.CHEMFILL LEFT       |
| 47   | 63035200 | 1         | MT.BRACKET F.PARALLELARMS LEFT      |
| 48   | 63035300 | 1         | MT.BRACKET F.PARALLELARMS RIGHT     |
| 49   | 63040700 | 1         | INNER ARM F.CHEMFILL LEFT           |
| 50   | 63040800 | 1         | INNER ARM F.CHEMFILL RIGHT          |
| 51   | 63040900 | 1         | OUTER ARM F.CHEMFILL LEFT           |
| 52   | 63041000 | 1         | OUTER ARM F.CHEMFILL RIGHT          |
| 53   | 63041300 | 1         | RINSE PIPE F. CHEM-FILLER           |
| 54   | 72246800 | 1         | VALVE 1/2" 2 POSITION               |
| 55   | 72339500 | 1         | AIR VALVE F.CHEMFILLER              |
| 56   | 72726900 | 1         | CHECK VALVE F.CHEMFILLER            |



COMPLETE ASSEMBLIES  
WHOLEGOODS ITEMS

727617 - COMPLETE ASSEMBLY (2" BSP THREADED FITTING & 126" CORD)

727742 - COMPLETE ASSEMBLY (2-1/2" ELBOW & 157.5" CORD)

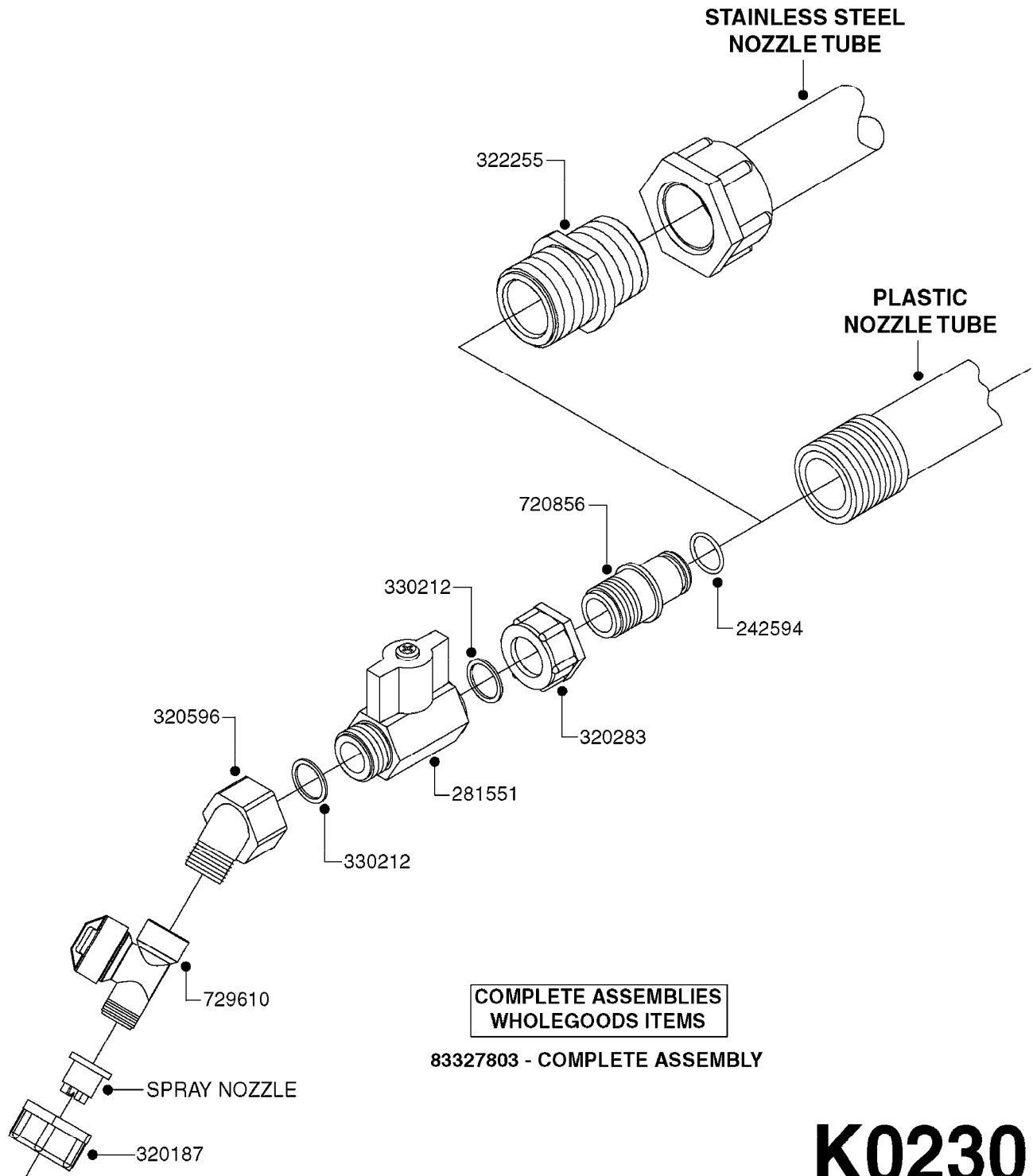
**K0180**



DRAIN ASSEMBLY-PULL CORD TYPE  
K0180-HIN, 01:01:16

Page 1  
Date 16.03.2016 13:55

| parts-n° | order qty | description                    |
|----------|-----------|--------------------------------|
| 145997   | 1         | FITT.DK S-93 FORK              |
| 220799   | 1         | SPRING F.TOP DRAIN             |
| 241754   | 1         | O-RING D59.5X3                 |
| 242221   | 1         | GASKET F. S-93 QUICK COUPLERS  |
| 242351   | 1         | O-RING D69.5X3.0 VITON F.S-93  |
| 322109   | 1         | FITT.DK S-93 BULKHEAD NUT      |
| 322165   | 1         | FITT.DK S-93 BULKHEAD SINGLE   |
| 322166   | 1         | VALVE FLAP LOWER PART          |
| 322169   | 1         | CORD PLUG F.TOP DRAIN          |
| 322171   | 1         | FITT.DK S-93 THREAD INS.2"BSP  |
| 334262   | 1         | GASKET F.S-93 BULKHEAD         |
| 334332   | 1         | FITT.DK S-93 MALE QUICK COUP.  |
| 334340   | 1         | FITT.DK S-93 ELBOW 2.5"        |
| 334434   | 1         | CAGE F.SPRING BOTTOM DRAIN ASY |
| 334437   | 1         | SEAL FOR VALVE FLAP            |
| 334469   | 1         | CLEVIS F.CORD TOP DRAIN ASSY.  |
| 334472   | 1         | HANDLE FOR TOP DRAIN           |
| 334557   | 1         | SPRING SEAT TOP DRAIN          |
| 390982   | 1         | CORD NYLON 4000MM              |
| 440392   | 1         | SCREW 6.3 X 25.0 DIN7981C TORX |
| 727172   | 1         | FITT.DK S-93 SEAT INSERT       |
| 727617   | 1         | FITT.DK S-93 BOTTOM VALVE 2'   |
| 727742   | 1         | TOP DRAIN CORD TYPE            |
| 728120   | 1         | QUICK COUPLER CAP F.S93 DRAIN  |
| 14001500 | 1         | GROMMET F.TOP DRAIN CORD       |
| 16025500 | 1         | TANK SPACER SIGHT GAUGE        |
| 16135600 | 1         | GUIDE FOR SIGHT GAUGE NAV/NCM  |



# K0230



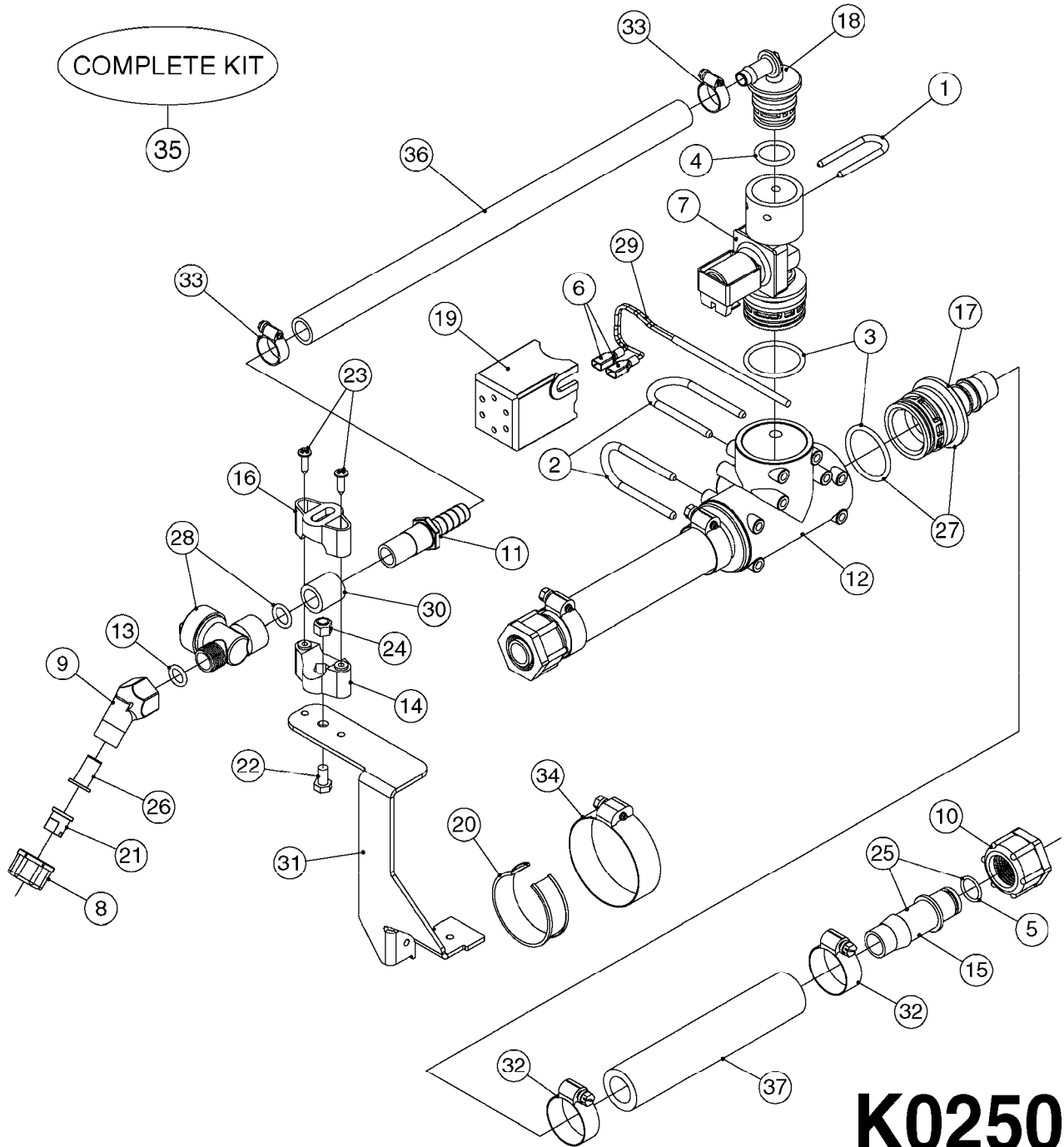


END NOZZLE KIT  
K0230-HIN, 01:01:16

Page 1

Date 16.03.2016 13:55

| parts-n° | order qty | description                    |
|----------|-----------|--------------------------------|
| 242594   | 1         | O-RING D14 X 1.78 SCH.70-EPDM  |
| 281551   | 1         | BALL VALVE 1/2"                |
| 320187   | 1         | FITT.DK CAP 3/8" BSP BLACK     |
| 320283   | 1         | FITT.DK NUT 3/4"BSP            |
| 320596   | 1         | FITT.DK ELB 3/8'-1/2'BSP 45DEG |
| 322255   | 1         | FITT.DK NIPPLE 3/4"X 3/4"      |
| 330212   | 1         | O-RING D19/D14X2.4 F.1/2"NUT   |
| 720856   | 1         | FITT.DK 1/2'BSP ASSY.F.3/4'NUT |
| 729610   | 1         | NOZZLE ASSY. NON DRIP 3/8 THRD |
| 83327803 | 1         | END NOZZLE KIT "04"            |



**K0250**



ELECTRIC END NOZZLE KIT '09  
K0250-HIN, 01:01:16

Page

1

Date

16.03.2016 13:55

| Pos. | parts-n° | order qty | description                    |
|------|----------|-----------|--------------------------------|
| 1    | 145994   | 1         | FITT.DK S-40 FORK              |
| 2    | 145995   | 1         | FITT.DK S-53 FORK              |
| 3    | 242354   | 1         | O-RING D32.2X3.0 VITON F.S-53  |
| 4    | 242355   | 1         | O-RING D19.2X3.0 VITON F.S-40  |
| 5    | 242594   | 1         | O-RING D14 X 1.78 SCH.70-EPDM  |
| 6    | 261539   | 1         | SPADE F.ELEC CONNEX BLUE INSUL |
| 7    | 262104   | 1         | VALVE, SOLENOID, S53/S40       |
| 8    | 320187   | 1         | FITT.DK CAP 3/8" BSP BLACK     |
| 9    | 320191   | 1         | FITT.DK ELB 3/8' BSP 45 DEGREE |
| 10   | 320283   | 1         | FITT.DK NUT 3/4"BSP            |
| 11   | 320891   | 1         | FITT.DK HB 3/8'- 3/8' BSP      |
| 12   | 322352   | 1         | FITT.DK S-53 TEE               |
| 13   | 330013   | 1         | O-RING D15/D10X2.5 F.3/8"NUT   |
| 14   | 333012   | 1         | NOZZLE HOLD. UPPER PART        |
| 15   | 334044   | 1         | FITT.DK HB 3/4' F. 3/4' CAP    |
| 16   | 334220   | 1         | YOKE, UPPER NOZZLE BODY        |
| 17   | 334229   | 1         | FITT.DK S-53 STR.3/4"          |
| 18   | 334237   | 1         | FITT.DK S-40 ELB.3/8'          |
| 19   | 334965   | 1         | COVER FOR S53 SOLENOID VALVE   |
| 20   | 341291   | 1         | RUBBER HOSE CLAMP COVER 130MM  |
| 21   | 370392   | 1         | NOZZLE END FAN 1850-G 300      |
| 22   | 410546   | 1         | BOLT HEX SS M6X12 FT           |
| 23   | 440665   | 1         | SCREW M4.2X16 STAINLESS        |
| 24   | 460261   | 1         | NUT HEX M6X1 LOCK A2 DIN985    |
| 25   | 724621   | 1         | FITT.DK HB 3/4"ASSY F.3/4" NUT |
| 26   | 725042   | 1         | SCREEN 80 MESH W.GASKET, RED   |
| 27   | 726558   | 1         | FITT.DK S53 STR. 3/4" W. ORING |
| 28   | 729610   | 1         | NOZZLE ASSY. NON DRIP 3/8 THRD |
| 29   | 983087   | 1         | ELEC. CABLE 2 WIRE X 0.75MM    |
| 30   | 10631003 | 1         | HOSE R X CLEAR BRAID.X 1/2 12" |
| 31   | 16110803 | 1         | NOZZLE BRACKET VAR SPACINGS    |
| 32   | 28029903 | 1         | CLAMP HOSE GEAR P3/4"-S1" 6712 |
| 33   | 28044903 | 1         | CLAMP HOSE GEAR P3/8" 6706     |
| 34   | 28047003 | 1         | CLAMP HOSE GEAR 30 X 50 6732   |
| 35   | 82613203 | 1         | ELECTRIC END NOZZLE KIT 2009   |
| 36   | 92701703 | 1         | HOSE R X3/8" X300PSI WP X0012" |
| 37   | 92703203 | 1         | HOSE R X3/4" X300PSI WP X0012" |



COMPLETE KIT NO  
LONGER AVAILABLE.  
FOR '09 KIT  
SEE PAGE

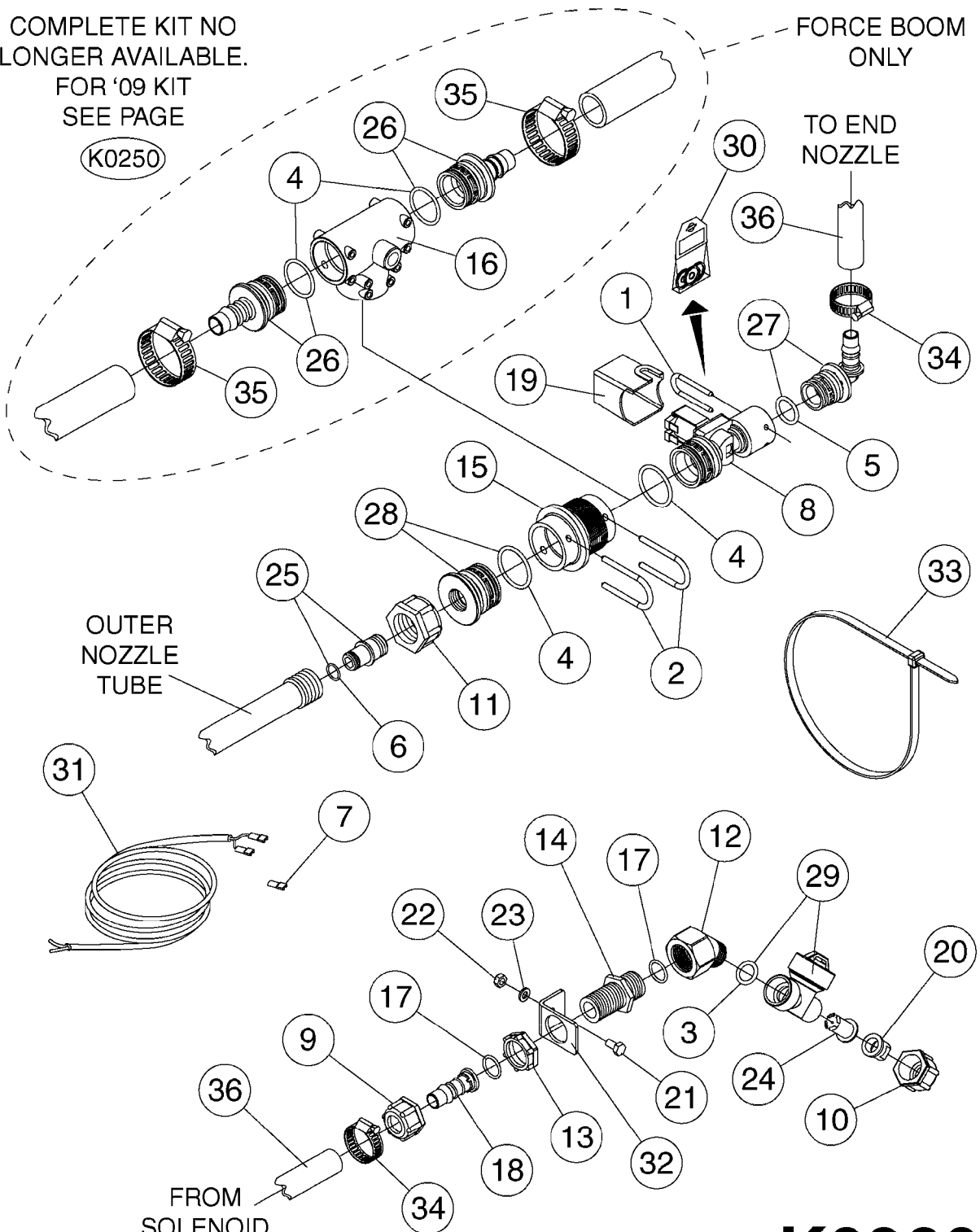
(K0250)

FORCE BOOM  
ONLY

TO END  
NOZZLE

OUTER  
NOZZLE  
TUBE

FROM  
SOLENOID  
ASSEMBLY



**K0260**

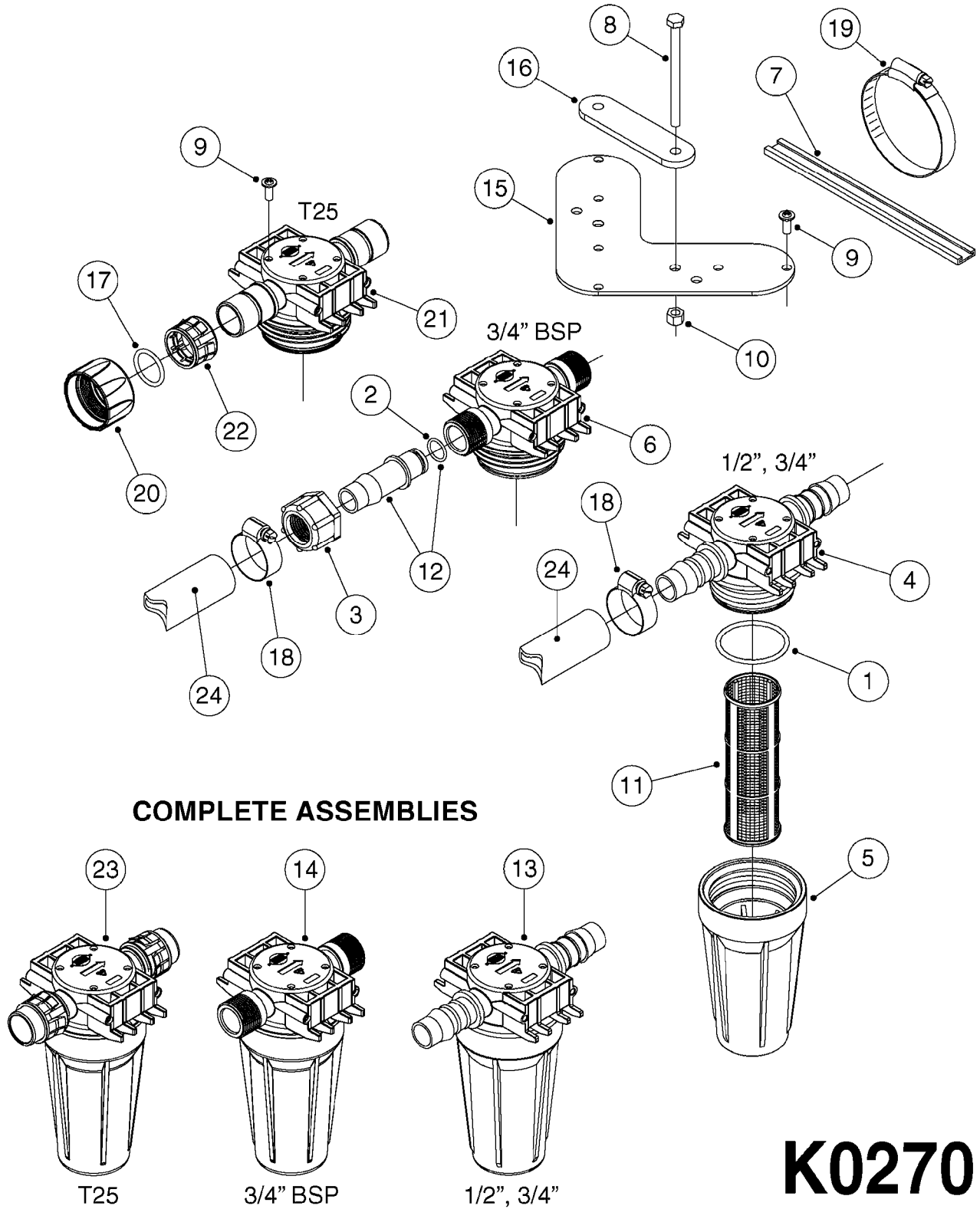


ELECTRIC END NOZZLE KIT '12  
K0260-HIN, 01:01:16

Page 1

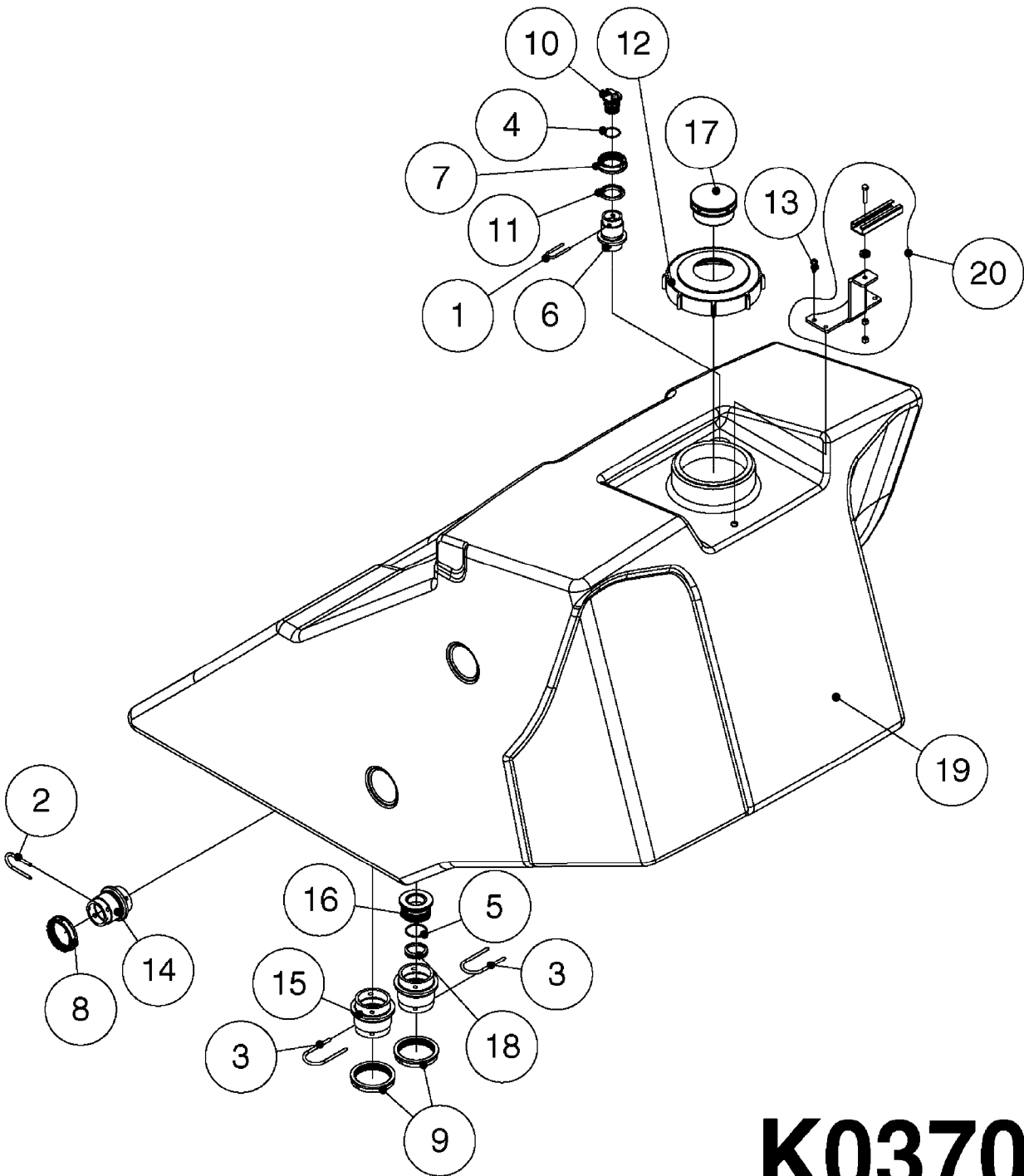
Date 16.03.2016 13:55

| Pos. | parts-n° | order qty | description                    |
|------|----------|-----------|--------------------------------|
| 1    | 145994   | 1         | FITT.DK S-40 FORK              |
| 2    | 145995   | 1         | FITT.DK S-53 FORK              |
| 3    | 240177   | 1         | O-RING D16.1/11.3 X 2.4        |
| 4    | 242354   | 1         | O-RING D32.2X3.0 VITON F.S-53  |
| 5    | 242355   | 1         | O-RING D19.2X3.0 VITON F.S-40  |
| 6    | 242594   | 1         | O-RING D14 X 1.78 SCH.70-EPDM  |
| 7    | 261539   | 1         | SPADE F.ELEC CONNEX BLUE INSUL |
| 8    | 262104   | 1         | VALVE, SOLENOID, S53/S40       |
| 9    | 320084   | 1         | FITT.DK NUT 1/2" BSP           |
| 10   | 320187   | 1         | FITT.DK CAP 3/8" BSP BLACK     |
| 11   | 320283   | 1         | FITT.DK NUT 3/4"BSP            |
| 12   | 320596   | 1         | FITT.DK ELB 3/8'-1/2'BSP 45DEG |
| 13   | 321307   | 1         | FITT.DK NUT 1/2" BSP JAMB      |
| 14   | 321742   | 1         | FITT.DK BULKHEAD 1/2' BSP      |
| 15   | 322103   | 1         | FITT.DK S-53 BULKHEAD          |
| 16   | 322352   | 1         | FITT.DK S-53 TEE               |
| 17   | 330212   | 1         | O-RING D19/D14X2.4 F.1/2"NUT   |
| 18   | 330687   | 1         | FITT.DK HB 1/2" F. 1/2" NUT    |
| 19   | 334965   | 1         | COVER FOR S53 SOLENOID VALVE   |
| 20   | 370366   | 1         | NOZZLE END FAN 1850-G 150      |
| 21   | 410185   | 1         | BOLT HEX 8.8 DEL M6X16 A2      |
| 22   | 460261   | 1         | NUT HEX M6X1 LOCK A2 DIN985    |
| 23   | 471125   | 1         | WASHER, M6, Ø12/ 6.4X 1.6, SS  |
| 24   | 614366   | 1         | FILTER 50 MESH F.NOZZLE BLUE   |
| 24   | 614367   | 1         | FILTER 80 MESH F.NOZZLE RED    |
| 24   | 614368   | 1         | FILTER 100 MESH F.NOZZLE YEL.  |
| 25   | 720856   | 1         | FITT.DK 1/2'BSP ASSY.F.3/4'NUT |
| 26   | 726558   | 1         | FITT.DK S53 STR. 3/4" W.ORING  |
| 27   | 726567   | 1         | FITT.DK S-40 ELB.1/2" W.ORING  |
| 28   | 726694   | 1         | PLUG,S53,1/2"FBSP THD W.ORING  |
| 29   | 729610   | 1         | NOZZLE ASSY. NON DRIP 3/8 THRD |
| 30   | 750722   | 1         | REPAIR KIT FOR 3S SC CONTROL   |
| 31   | 983087   | 1         | ELEC. CABLE 2 WIRE X 0.75MM    |
| 32   | 16180100 | 1         | PLATE, END ROW NOZZLE          |
| 33   | 28025203 | 1         | TIE STRAP L=23" x W=1/2"       |
| 34   | 28029803 | 1         | CLAMP HOSE GEAR P1/2" 6708     |
| 35   | 28029903 | 1         | CLAMP HOSE GEAR P3/4"-S1" 6712 |
| 36   | 92702103 | 1         | HOSE R X1/2" X300PSI WP X0012" |





| Pos. | parts-n° | order qty | description                    |
|------|----------|-----------|--------------------------------|
| 1    | 240925   | 1         | O-RING D49.5X3 NITRIL          |
| 2    | 242594   | 1         | O-RING D14 X 1.78 SCH.70-EPDM  |
| 3    | 320283   | 1         | FITT.DK NUT 3/4"BSP            |
| 4    | 322241   | 1         | FILTER HOUSING W.3/4' BARBS    |
| 4    | 322249   | 1         | FILTER HOUSING W.1/2' BARBS    |
| 5    | 322242   | 1         | FILTER BOWL / IN-LINE          |
| 6    | 322250   | 1         | FILTER HOUSING W.3/4"BSP THRD  |
| 7    | 341291   | 1         | RUBBER HOSE CLAMP COVER 130MM  |
| 7    | 341292   | 1         | RUBBER HOSE CLAMP COVER 180MM  |
| 8    | 410605   | 1         | BOLT HEX 8.8 DEL M6X80         |
| 9    | 440673   | 1         | SCREW F.PLASTIC 5X12 SS        |
| 10   | 460261   | 1         | NUT HEX M6X1 LOCK A2 DIN985    |
| 11   | 615443   | 1         | FILTER ELEM.50 MESH BLUE       |
| 11   | 615444   | 1         | FILTER ELEM.80 MESH RED        |
| 11   | 615445   | 1         | FILTER ELEM.100 MESH YELLOW    |
| 12   | 716236   | 1         | FITT.DK HB 1/2" ASSY. F. 3/4"  |
| 12   | 724621   | 1         | FITT.DK HB 3/4"ASSY F.3/4" NUT |
| 13   | 845205   | 1         | FILTER IN-LINE 1/2' 50 MESH    |
| 13   | 845208   | 1         | FILTER IN-LINE 3/4' 50 MESH    |
| 13   | 845209   | 1         | FILTER IN-LINE 3/4' 80 MESH    |
| 14   | 845218   | 1         | FILTER IN-LINE 3/4'50 MESH OML |
| 14   | 845219   | 1         | FILTER IN-LINE 3/4'80 MESH OML |
| 15   | 16022203 | 1         | PLATE 3.0 X 55 X 196           |
| 16   | 16022403 | 1         | BRACKET 60MM TUBE              |
| 17   | 24263000 | 1         | O-RING Ø24.4 X 3.1 NITRIL SH70 |
| 18   | 28029903 | 1         | CLAMP HOSE GEAR P3/4"-S1" 6712 |
| 19   | 28047103 | 1         | CLAMP HOSE GEAR 50 X 50 6740   |
| 19   | 28047203 | 1         | CLAMP HOSE GEAR 60 X 80 6756   |
| 20   | 32239700 | 1         | FITT.DK NUT T25                |
| 21   | 32239800 | 1         | FITT.DK IN-LINE FILTER TOP T25 |
| 22   | 33515500 | 1         | FITT.DK NUT LOCK RING T25      |
| 23   | 72700600 | 1         | FILTER IN-LINE 80 MESH, T25    |
| 24   | 92702103 | 1         | HOSE R X1/2" X300PSI WP X0012" |
| 24   | 92703203 | 1         | HOSE R X3/4" X300PSI WP X0012" |



**K0370**



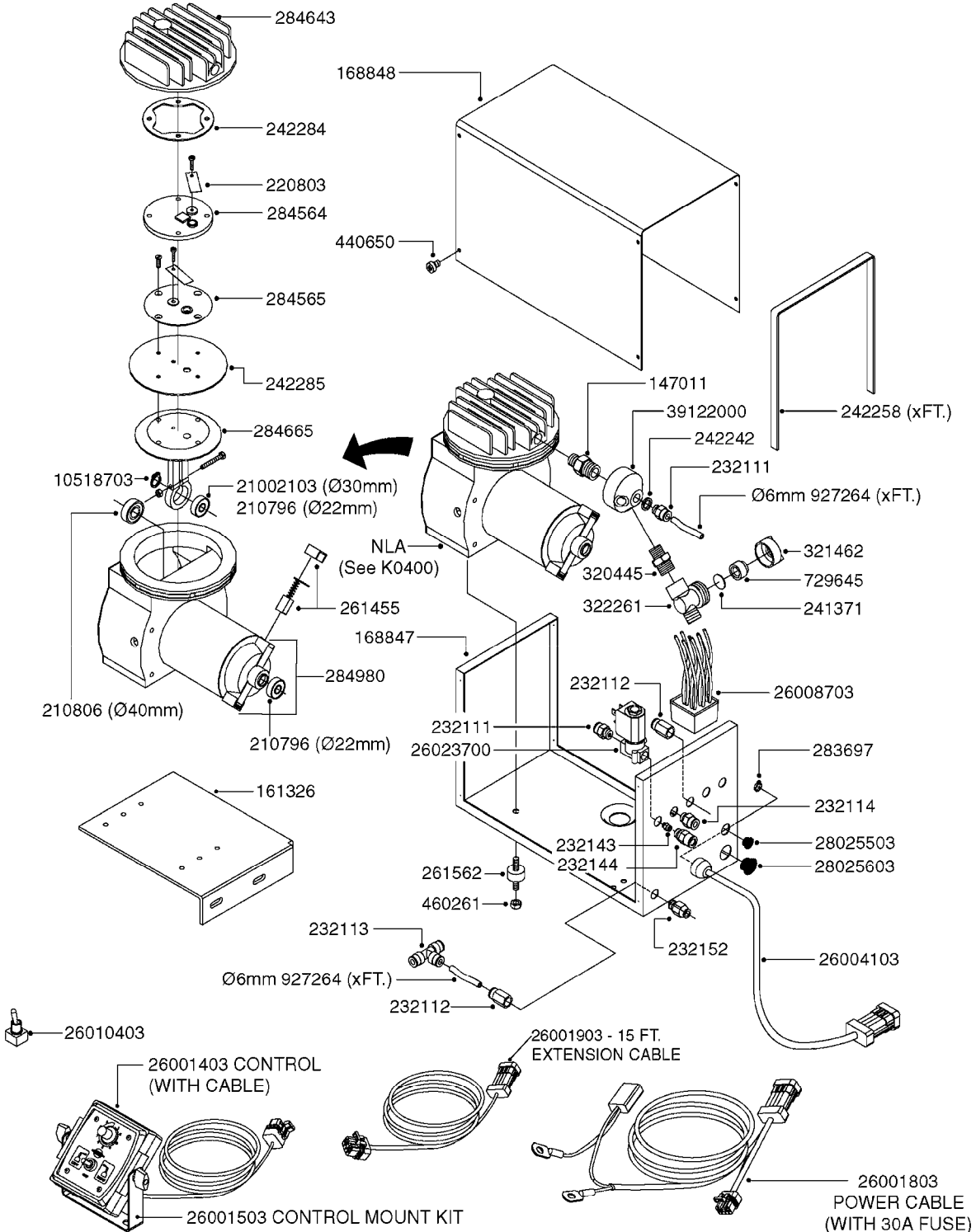


FLUSH SYSTEM - NCM/NAVIGATOR  
K0370-HIN, 01:01:16

Page 1

Date 16.03.2016 13:55

| Pos. | parts-n° | order qty | description                    |
|------|----------|-----------|--------------------------------|
| 1    | 145994   | 1         | FITT.DK S-40 FORK              |
| 2    | 145995   | 1         | FITT.DK S-53 FORK              |
| 3    | 145996   | 1         | FITT.DK S-67 FORK              |
| 4    | 242355   | 1         | O-RING D19.2X3.0 VITON F.S-40  |
| 5    | 242504   | 1         | O-RING D35x2 NITRIL            |
| 6    | 322102   | 1         | FITT.DK S-40 BULKHEAD          |
| 7    | 322106   | 1         | FITT.DK S-40 BULKHEAD NUT      |
| 8    | 322107   | 1         | FITT.DK S-53 BULKHEAD NUT      |
| 9    | 322108   | 1         | FITT.DK S-67 BULKHEAD NUT      |
| 10   | 334248   | 1         | FITT.DK S-40 PLUG              |
| 11   | 334259   | 1         | GASKET F. S-40 BULKHEAD        |
| 12   | 390847   | 1         | LID F. RINSE TANK CM           |
| 13   | 440392   | 1         | SCREW 6.3 X 25.0 DIN7981C TORX |
| 14   | 726463   | 1         | FITT.DK S53 BULKHEAD W/GASKET  |
| 15   | 726464   | 1         | FITT.DK S-67 BULKHEAD W/GASKET |
| 16   | 726695   | 1         | FITT.DK S-67 X 1'BSP W. ORING  |
| 17   | 727038   | 1         | VENT F.TANK (FAST FILL)        |
| 18   | 14014400 | 1         | SEAT F.CHECK VALVE D41.8 S67   |
| 19   | 72285500 | 1         | RINSE TANK W/FITTINGS NCM/NAV  |
| 20   | 72348600 | 1         | HOSE MT. BKT NCM FLUSH TANK    |



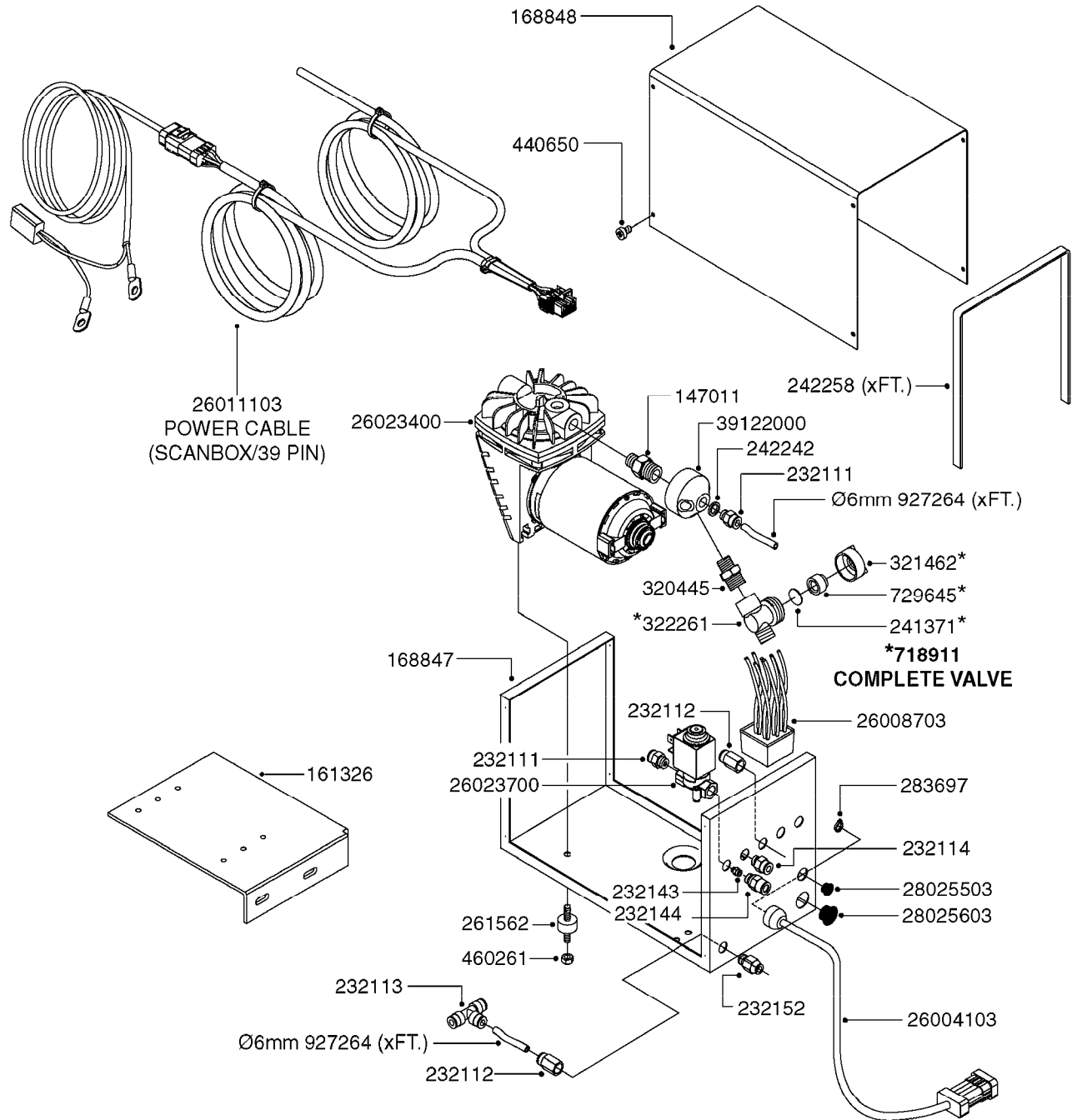
# K0390

\*Ø8mm 927306 (xFT.)  
\*Ø10mm 927330 (xFT.)

70019403 - COMPLETE ASSEMBLY



| parts-n° | order qty | description                    |
|----------|-----------|--------------------------------|
| 147011   | 1         | HEX NIPPLE 3/8'X1/4'BSP BRASS  |
| 161326   | 1         | MOUNT BKT. F. FOAM COMP.BOX 98 |
| 168847   | 1         | ENCLOSURE LOWER F.MARKER       |
| 168848   | 1         | COVER F. FOAM MARKER           |
| 210796   | 1         | BEARING BALL D22/D8 X 7 608ZZ  |
| 210806   | 1         | BEARING BALL D40/D17X12MM      |
| 220803   | 1         | VALVE F. COMPRESSOR            |
| 232111   | 1         | QUICK COUPLER 6MM X 1/8 EXT.   |
| 232112   | 1         | QUICK COUPLER 6MM 1/8 INT.     |
| 232113   | 1         | QUICK COUPLER 6MM T-PIECE      |
| 232114   | 1         | COUPLER 1/8" THREADX8MM HOSE   |
| 232143   | 1         | REDUCER 1/4'INT-1/8'EXT        |
| 232144   | 1         | QUICK COUPLER 10MM X 1/4 EXT   |
| 232152   | 1         | QUICK COUPLER 8MMX1/8 EXT.LONG |
| 241371   | 1         | DIAPHRAGM, NO-DRIP alt 241371  |
| 242242   | 1         | O-RING F.AIR HOSE FITTING      |
| 242258   | 1         | TRIM 3X10 SELF ADHESIVE 0012"  |
| 242284   | 1         | HEAD GASKET F. COMPRESSOR      |
| 242285   | 1         | DIAPHRAGM F. F/M COMP.         |
| 261455   | 1         | BRUSH KIT-FOAM MARKER MOTOR    |
| 261562   | 1         | RUBBER DAMPER 2XM6X25          |
| 283697   | 1         | TIESTRAP 200MM                 |
| 284564   | 1         | PLATE F.COMPRESSOR HEAD        |
| 284565   | 1         | PLATE F.COMPRESSOR HEAD        |
| 284643   | 1         | COMPRESSOR HEAD F.FOAM MARKER  |
| 284665   | 1         | CONNECTING ROD F.COMPRESSOR    |
| 284980   | 1         | FLANGE REAR F. F.M.COMPRESSOR  |
| 320445   | 1         | FITT.DK HN 1/4"X3/8" BSP       |
| 321462   | 1         | CAP F.NO-DRIP ASSY.            |
| 322261   | 1         | HOUSING F.SAFETY VALVE 3/8"    |
| 440650   | 1         | SCREW 3.5x13 STAINLESS         |
| 460261   | 1         | NUT HEX M6X1 LOCK A2 DIN985    |
| 729645   | 1         | NON-DRIP SPRING ASSY.GREEN 10  |
| 927264   | 1         | HOSE R X PE D6/D4 X 0012"      |
| 927306   | 1         | HOSE R X PE D8/D6 X 0012"BLACK |
| 927330   | 1         | HOSE R X PE D10/D8 X 012"BLACK |
| 10518703 | 1         | SNAP-RING OUTER 8X1            |
| 21002103 | 1         | BEARING, 6200 2ZJEM (SKF)      |
| 26001403 | 1         | HC FOAM MARKR CONSOLE VS3.0.00 |
| 26001503 | 1         | HC FOAM MARKER CONSOLE MT.KIT  |
| 26001803 | 1         | POWER CABLE                    |
| 26001903 | 1         | 15' 7-PIN EXTENSION CABLE      |
| 26004103 | 1         | FOAM MARKER CNTRL MOD CABL STD |
| 26008703 | 1         | FOAM MARKER CONTROL SCII       |
| 26010403 | 1         | TOGGLE SWITCH MICRO-TRAK F.M.  |
| 26023700 | 1         | SOLENOID VAL 12V 1/8' FLO '07  |
| 28025503 | 1         | PLUG F.DRILLED HOLE 1/2"       |
| 28025603 | 1         | PLUG F.DRILLED HOLE 3/4"       |
| 39122000 | 1         | DISTR.HOUSING F.FOAM MARKER'07 |
| 70019403 | 1         | FOAM MARKER COMPRESSOR KIT STD |



# K0400

\*Ø8mm 927306 (xFT.)  
\*Ø10mm 927330 (xFT.)

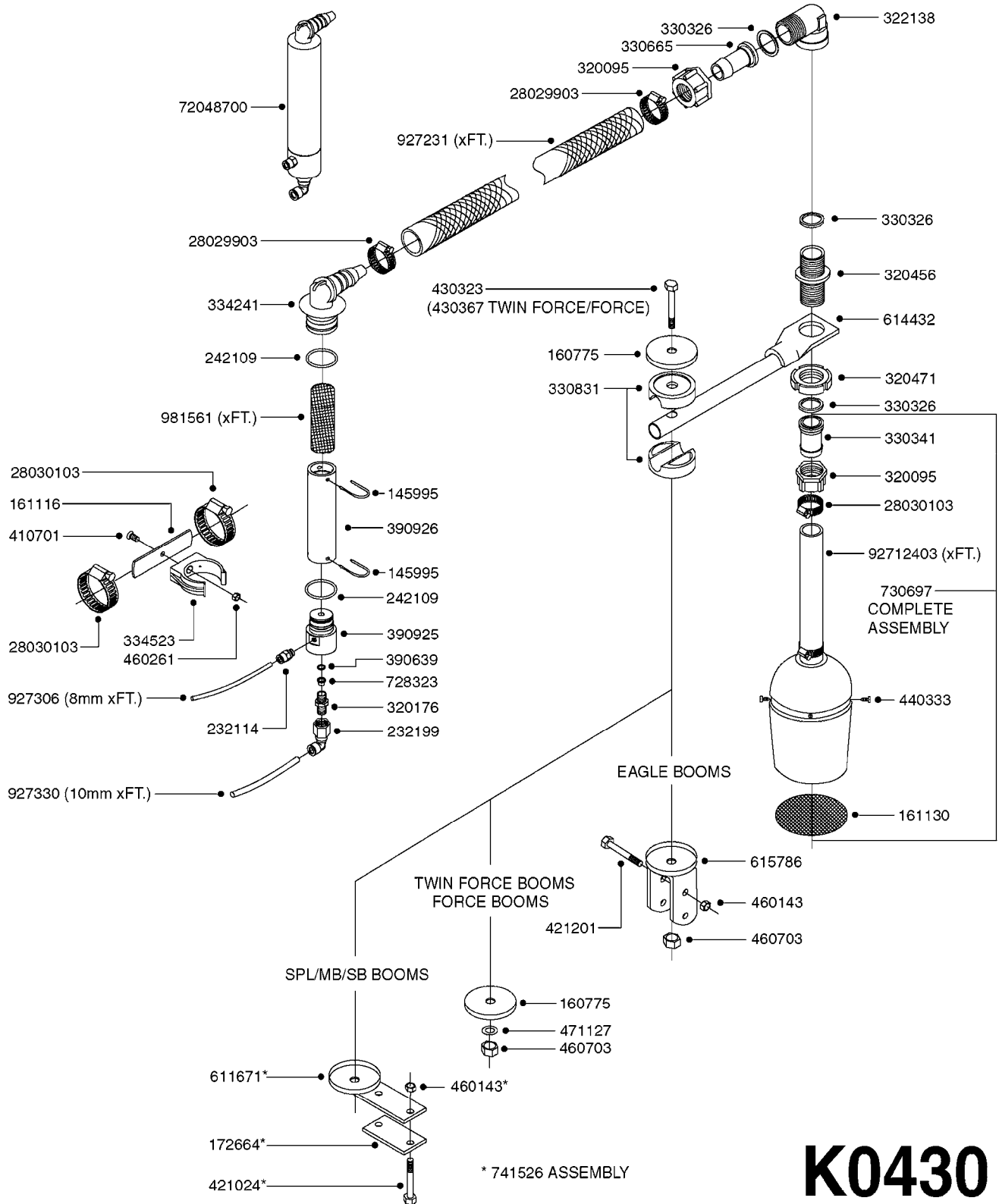
70062503 - COMPLETE ASSEMBLY



FOAM MARKER COMPRESSOR 2007  
K0400-HIN, 01:01:16

Page 1  
Date 16.03.2016 13:55

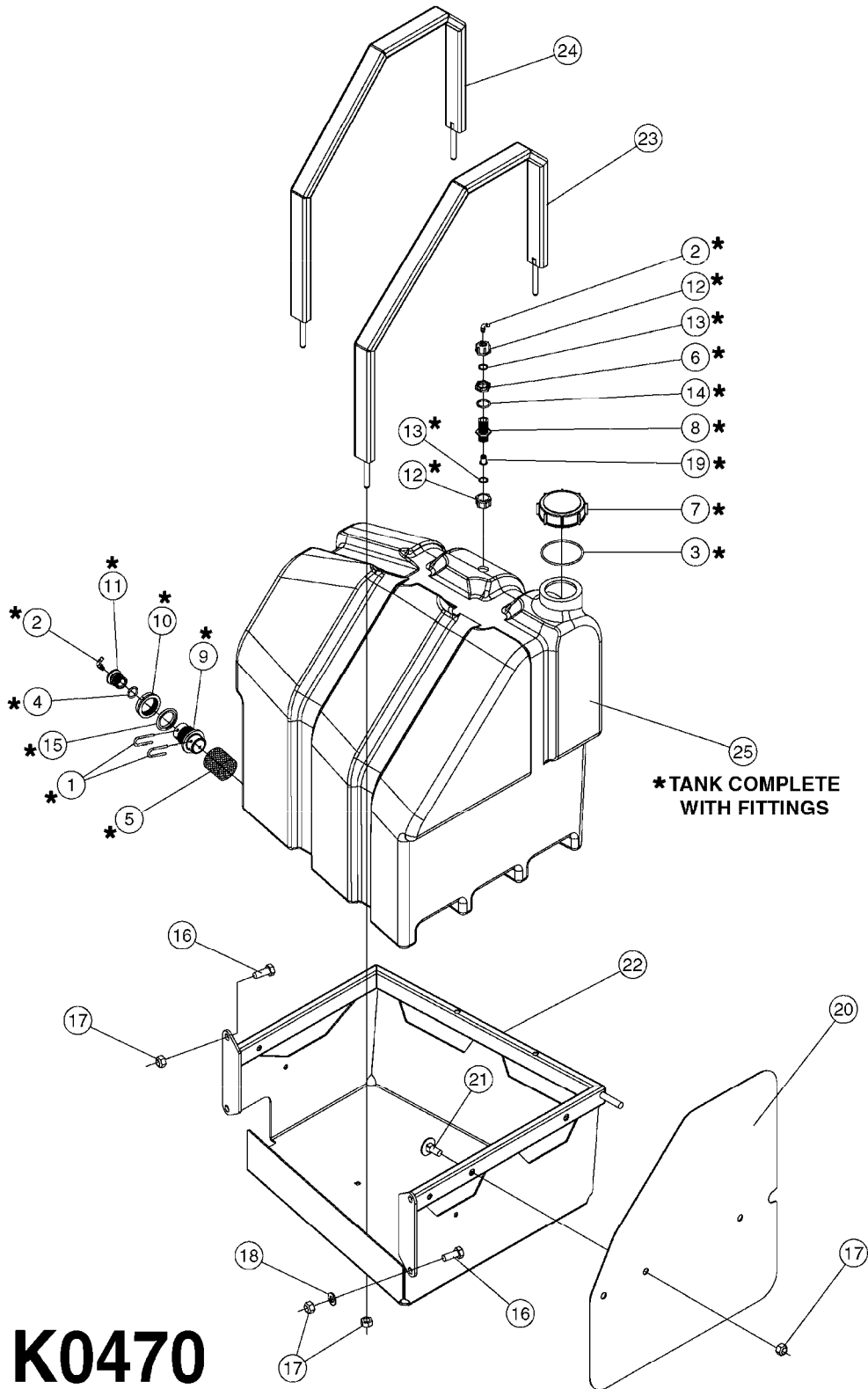
| parts-n° | order qty | description                    |
|----------|-----------|--------------------------------|
| 147011   | 1         | HEX NIPPLE 3/8'X1/4'BSP BRASS  |
| 161326   | 1         | MOUNT BKT. F. FOAM COMP.BOX 98 |
| 168847   | 1         | ENCLOSURE LOWER F.MARKER       |
| 168848   | 1         | COVER F. FOAM MARKER           |
| 232111   | 1         | QUICK COUPLER 6MM X 1/8 EXT.   |
| 232112   | 1         | QUICK COUPLER 6MM 1/8 INT.     |
| 232113   | 1         | QUICK COUPLER 6MM T-PIECE      |
| 232114   | 1         | COUPLER 1/8" THREADX8MM HOSE   |
| 232143   | 1         | REDUCER 1/4'INT-1/8'EXT        |
| 232144   | 1         | QUICK COUPLER 10MM X 1/4 EXT   |
| 232152   | 1         | QUICK COUPLER 8MMX1/8 EXT.LONG |
| 241371   | 1         | DIAPHRAGM, NO-DRIP alt 241371  |
| 242242   | 1         | O-RING F.AIR HOSE FITTING      |
| 242258   | 1         | TRIM 3X10 SELF ADHESIVE 0012"  |
| 261562   | 1         | RUBBER DAMPER 2XM6X25          |
| 283697   | 1         | TIESTRAP 200MM                 |
| 320445   | 1         | FITT.DK HN 1/4"X3/8" BSP       |
| 321462   | 1         | CAP F.NO-DRIP ASSY.            |
| 322261   | 1         | HOUSING F.SAFETY VALVE 3/8"    |
| 440650   | 1         | SCREW 3.5x13 STAINLESS         |
| 460261   | 1         | NUT HEX M6X1 LOCK A2 DIN985    |
| 718911   | 1         | VALVE (SAFETY) F.MARKER        |
| 729645   | 1         | NON-DRIP SPRING ASSY.GREEN 10  |
| 927264   | 1         | HOSE R X PE D6/D4 X 0012"      |
| 927306   | 1         | HOSE R X PE D8/D6 X 0012"BLACK |
| 927330   | 1         | HOSE R X PE D10/D8 X 012"BLACK |
| 26004103 | 1         | FOAM MARKER CNTRL MOD CABL STD |
| 26008703 | 1         | FOAM MARKER CONTROL SCII       |
| 26011103 | 1         | FOAMER POWER/CONTROL CABLE 39P |
| 26023400 | 1         | COMPRESSOR F.FOAM MARKER CM40  |
| 26023700 | 1         | SOLENOID VAL 12V 1/8' FLO '07  |
| 28025503 | 1         | PLUG F.DRILLED HOLE 1/2"       |
| 28025603 | 1         | PLUG F.DRILLED HOLE 3/4"       |
| 39122000 | 1         | DISTR.HOUSING F.FOAM MARKER'07 |
| 70062503 | 1         | FOAM MARKER COMPRESSOR,STD,39P |



**K0430**



| parts-n° | order qty | description                     |
|----------|-----------|---------------------------------|
| 145995   | 1         | FITT.DK S-53 FORK               |
| 160775   | 1         | WASHER F. FRICTION PLATE        |
| 161116   | 1         | FLATBAR PLATE 3 X 25 X 110      |
| 161130   | 1         | FILTER SCREEN F/FOAM DROPPER    |
| 172664   | 1         | FLATBAR BACKING PLATE           |
| 232114   | 1         | COUPLER 1/8" THREADX8MM HOSE    |
| 232199   | 1         | COUPLER 3/8' BSP-90/10MM HOSE   |
| 242109   | 1         | O-RING D32.2x3.0 (USE 242354)   |
| 320095   | 1         | FITT.DK NUT 1" BSP              |
| 320176   | 1         | FITT.DK HN 3/8"X1/2" BSP        |
| 320456   | 1         | FITT.DK BULKHEAD 1"BSP DOUBLE   |
| 320471   | 1         | FITT.DK NUT 1" BSP JAMB         |
| 322138   | 1         | FITT.DK ELB 1"M X 1"F BSP       |
| 330326   | 1         | O-RING D30/D24X2 F.1"NUT        |
| 330341   | 1         | FITT.DK HB 1" F. 1" NUT         |
| 330665   | 1         | 3/4' HOSE TAIL F/1' CAP         |
| 330831   | 1         | FRICTION PLATE                  |
| 334241   | 1         | FITT.DK S-53 ELB.3/4"           |
| 334523   | 1         | PIPE HOLDER D51.5               |
| 390639   | 1         | O-RING F.NOZZLE FILTER          |
| 390925   | 1         | FITTING F.FOAM MIX.CHAMB. STD   |
| 390926   | 1         | TUBE,MIX CHAMB. FOAM MARK STD   |
| 410701   | 1         | SCREW M6X16 GALV.               |
| 421024   | 1         | BOLT HEX 8.8 DEL M8X60          |
| 421201   | 1         | BOLT HEX 8.8 DEL M8X70          |
| 430323   | 1         | BOLT HEX 8.8 DEL M12X60         |
| 430367   | 1         | BOLT HEX 8.8 DEL M12X100 DIN931 |
| 440333   | 1         | SCREW 3.5 X 9.5 SS              |
| 460143   | 1         | NUT HEX M8 LOCK A2 DIN985       |
| 460261   | 1         | NUT HEX M6X1 LOCK A2 DIN985     |
| 460703   | 1         | NUT HEX M12X1.75 LOCK DIN985    |
| 471127   | 1         | WASHER, M12, Ø24/13.0X 2.5, SS  |
| 611671   | 1         | BREAK AWAY HOLDER F-MARKER      |
| 614432   | 1         | BREAK AWAY ARM F. FOAM MARKER   |
| 615786   | 1         | MOUNT BKT. F.FOAM DROPPER 98    |
| 728323   | 1         | VALVE NON-RETURN                |
| 730697   | 1         | FOAM DROPPER COMP. BLACK '97    |
| 741526   | 1         | FOAM DROPPER MT. KIT MB-SPL     |
| 927231   | 1         | HOSE R X PVCX3/4 CLR/BRD 0012"  |
| 927306   | 1         | HOSE R X PE D8/D6 X 0012"BLACK  |
| 927330   | 1         | HOSE R X PE D10/D8 X 012"BLACK  |
| 981561   | 1         | SPONGE MAT. MIX.CHAMBER-x0012"  |
| 28029903 | 1         | CLAMP HOSE GEAR P3/4"-S1" 6712  |
| 28030103 | 1         | CLAMP HOSE GEAR P5/4-S1.5"6724  |
| 72048700 | 1         | MIXING CHAMBER,FOAM MARK. STD   |
| 92712403 | 1         | HOSE R X1" X300PSI WP X0012"    |



**K0470**



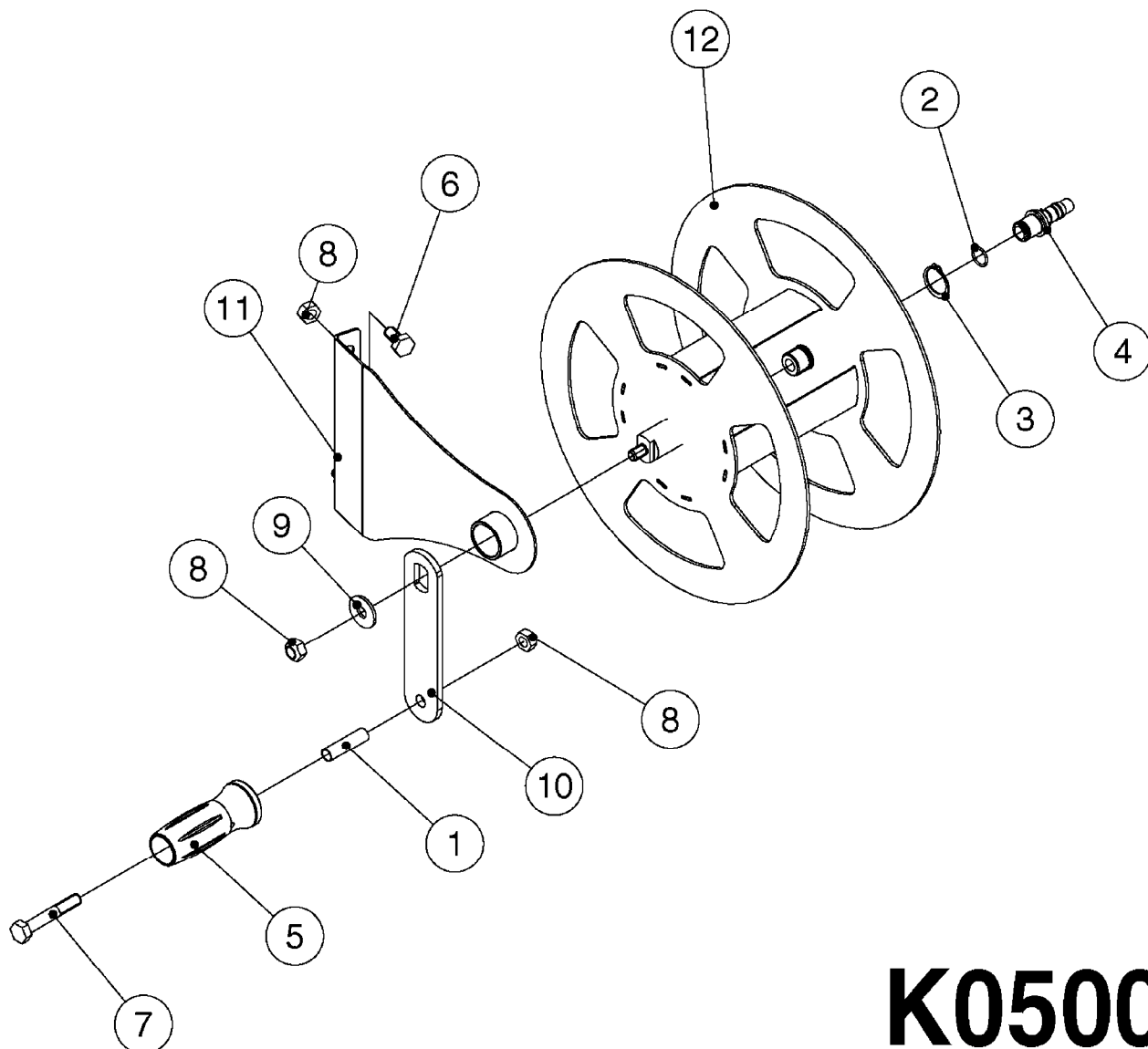


FOAM MARKER TANK - NCM/NAV  
K0470-HIN, 01:01:16

Page 1

Date 16.03.2016 13:55

| Pos. | parts-n° | order qty | description                    |
|------|----------|-----------|--------------------------------|
| 1    | 145994   | 1         | FITT.DK S-40 FORK              |
| 2    | 232150   | 1         | HOSE CONN. 90DEG. 1/8'X8MM PE  |
| 3    | 242043   | 1         | O-RING 49.2 X 5.7              |
| 4    | 242355   | 1         | O-RING D19.2X3.0 VITON F.S-40  |
| 5    | 284353   | 1         | SPONGE FOR FOAM MARKER         |
| 6    | 321307   | 1         | FITT.DK NUT 1/2" BSP JAMB      |
| 7    | 321322   | 1         | SCREW CAP F. S80 X 4           |
| 8    | 321742   | 1         | FITT.DK BULKHEAD 1/2' BSP      |
| 9    | 322102   | 1         | FITT.DK S-40 BULKHEAD          |
| 10   | 322106   | 1         | FITT.DK S-40 BULKHEAD NUT      |
| 11   | 322133   | 1         | FITT.DK S-40 PLUG W 1/8 THREAD |
| 12   | 322170   | 1         | FITT.DK NUT 1/2"x 1/8"F BSP    |
| 13   | 330212   | 1         | O-RING D19/D14X2.4 F.1/2"NUT   |
| 14   | 332592   | 1         | O-RING D26/D20X3               |
| 15   | 334259   | 1         | GASKET F. S-40 BULKHEAD        |
| 16   | 430286   | 1         | BOLT HEX 8.8 DEL M12X30 FT     |
| 17   | 460703   | 1         | NUT HEX M12X1.75 LOCK DIN985   |
| 18   | 471127   | 1         | WASHER, M12, Ø24/13.0X 2.5, SS |
| 19   | 728323   | 1         | VALVE NON-RETURN               |
| 20   | 16137100 | 1         | COVER PLATE F.CHEMLOCKER NCM   |
| 21   | 45001300 | 1         | CARRIAGE BOLT M12X35 DIN603 A2 |
| 22   | 63039400 | 1         | CHEMLOCKER FOR NCM BLACK       |
| 22   | 63061400 | 1         | CHEMLOCKER FOR NAVIGATOR RED   |
| 23   | 63042200 | 1         | FOAM TANK STRAP BLACK 451 WIDE |
| 23   | 63068200 | 1         | FOAM TANK STRAP RED 451 WIDE   |
| 24   | 63042300 | 1         | FOAM TANK STRAP BLACK 403 WIDE |
| 24   | 63068400 | 1         | FOAM TANK STRAP RED 403 WIDE   |
| 25   | 72437700 | 1         | FM TANK 25 GAL W/FTGS. CM/NAV  |



**K0500**

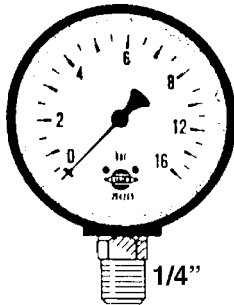


HOSE REEL - COMMANDER  
K0500-HIN, 01:01:16

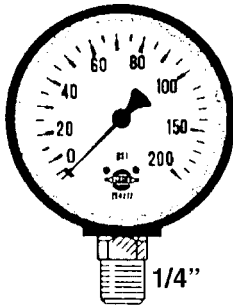
Page 1

Date 16.03.2016 13:55

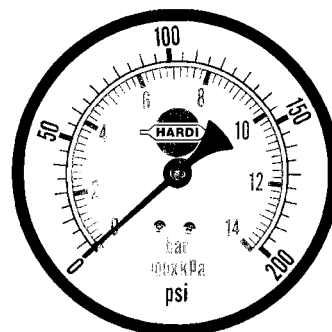
| Pos. | parts-n° | order qty | description                       |
|------|----------|-----------|-----------------------------------|
| 1    | 159912   | 1         | BUSHING 12.0/10.2 - 45.5          |
| 2    | 242003   | 1         | O-RING D14.1X1.6 VITON            |
| 3    | 281982   | 1         | SNAP-RING OUTER 26X1.2 DIN4711    |
| 4    | 332905   | 1         | FITT.DK HB 1/2" F. 3/4" CAP       |
| 5    | 334104   | 1         | GRIP                              |
| 6    | 420604   | 1         | BOLT HEX 8.8 DEL M10X25 FT DIN933 |
| 7    | 420626   | 1         | BOLT HEX 8.8 DEL M10X20 FT        |
| 8    | 460423   | 1         | NUT HEX M10X1.5 LOCK              |
| 9    | 471140   | 1         | WASHER D30/D10.5X2.5 STAINLESS    |
| 10   | 16118400 | 1         | ARM FOR HANDLE ON HOSE REEL       |
| 11   | 61032400 | 1         | SIDE BRACKET F. HOSE REEL         |
| 12   | 63036500 | 1         | HOSE REEL FOR HOSE                |



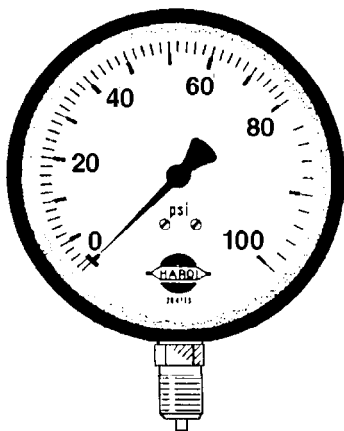
284269  
0-8-16 bar  
BRASS  
2.5" GAUGE



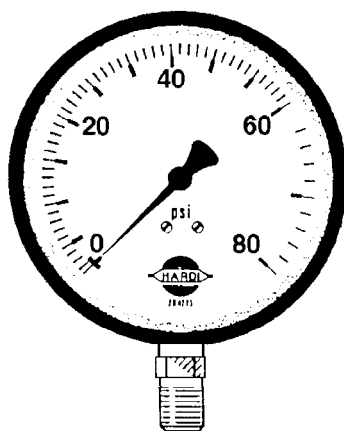
28026203  
0-100-200 psi  
STAINLESS  
2.5" GAUGE



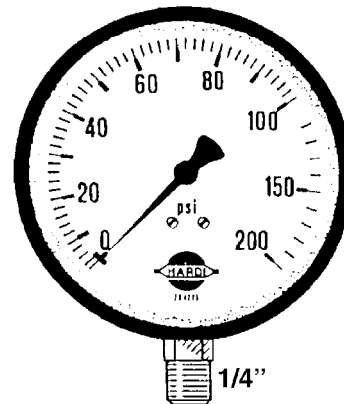
28014403  
200 psi (14 bar)  
STAINLESS  
4" GAUGE



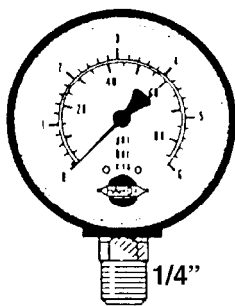
844086  
100 bar (1400 psi)  
BRASS  
2.5" GAUGE



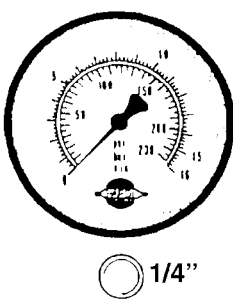
844088  
80 bar (1200 psi)  
STAINLESS  
1.5" GAUGE



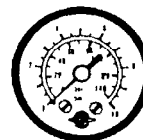
28026103  
0-100-200 psi  
STAINLESS  
4" GAUGE



280637  
6 bar (85 psi)  
BRASS  
2.5" GAUGE



283754  
16 bar (230 psi)  
BRASS  
2.5" GAUGE



844082  
10 bar (140 psi)  
BRASS  
1.5" GAUGE

**K0560**

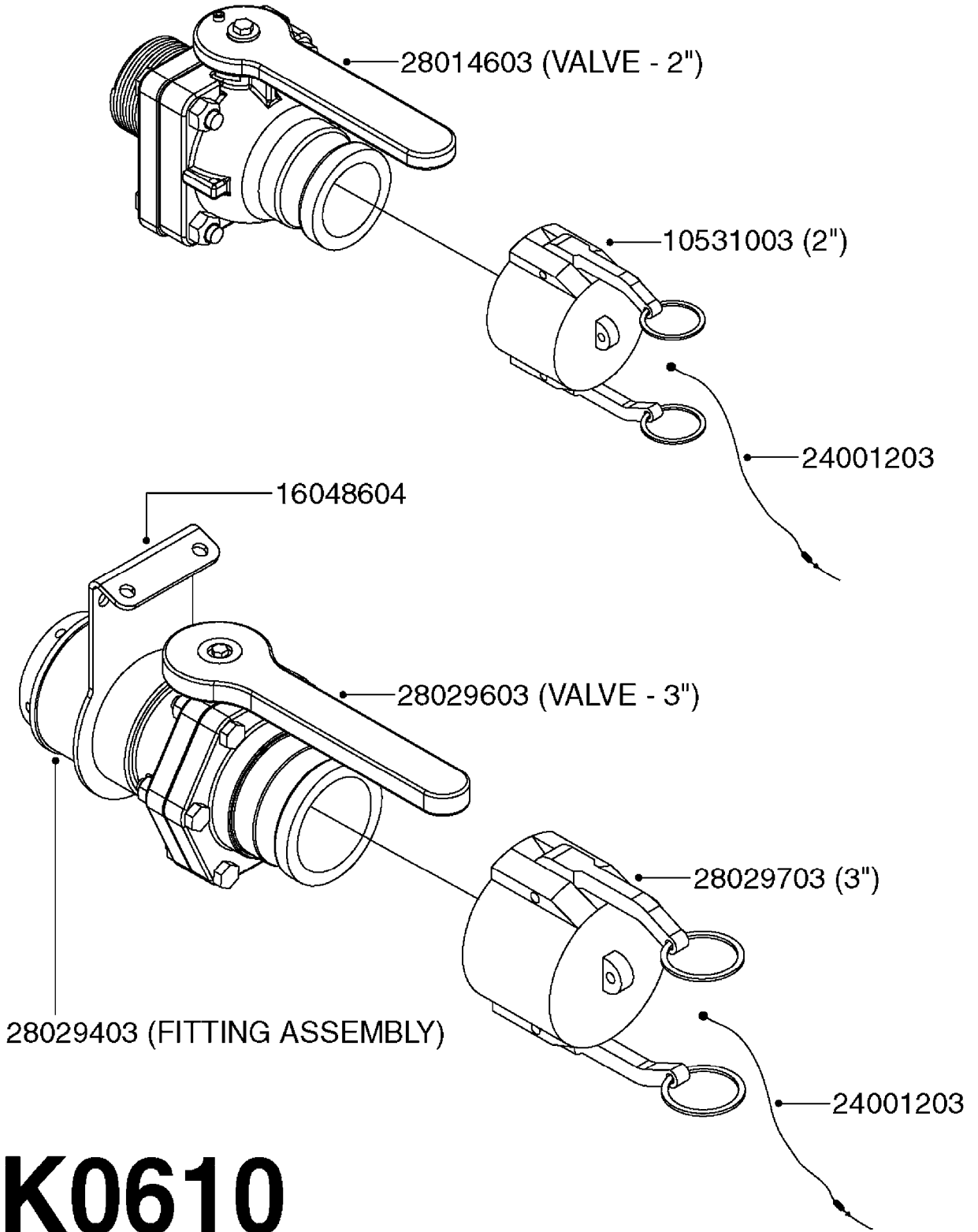


PRESSURE GAUGES  
K0560-HIN, 01:01:16

Page 1

Date 16.03.2016 13:55

| parts-n° | order qty | description                      |
|----------|-----------|----------------------------------|
| 280637   | 1         | GAUGE 2.5"BR BOTT.PSI85 BAR6     |
| 283754   | 1         | GAUGE 2.5'BR REAR PSI200 BAR16   |
| 284269   | 1         | GAUGE 2.5'BR BOTT.BAR16          |
| 844082   | 1         | GAUGE 1.5'BR REAR PSI140BAR10    |
| 844086   | 1         | GAUGE 2.5'BR BOTT.PSI1000BAR80   |
| 844088   | 1         | GAUGE 2.5'BR BOTT PSI1200BAR80   |
| 28014403 | 1         | GAUGE 4"BR REAR PSI200           |
| 28026103 | 1         | GAUGE 200PSI/BR, 4", 1/4"BSP-BTM |
| 28026203 | 1         | GAUGE 200PSI/BR, 2.5"1/4BSP-BTM  |



# K0610

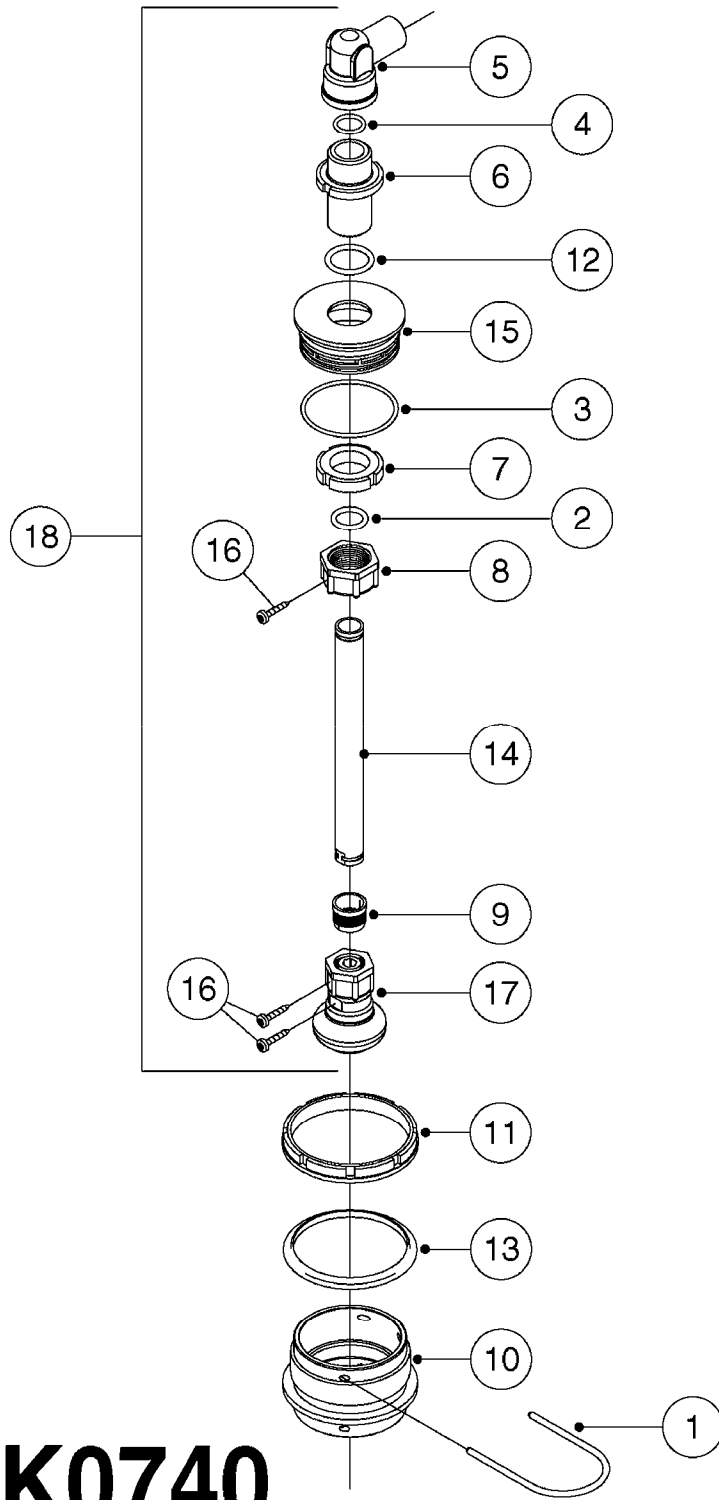


QUICKFILL-VALVES-BANJO 2" & 3"  
K0610-HIN, 01:01:16

Page 1

Date 16.03.2016 13:55

| parts-n° | order qty | description                    |
|----------|-----------|--------------------------------|
| 10531003 | 1         | CAP F.MALE QUICK COUPLER 2"    |
| 16048604 | 1         | QUICK FILL BKT. NAV. 575-1100  |
| 24001203 | 1         | RBR LANYARD 11" F.QCK FILL CAP |
| 28014603 | 1         | VALVE STUBBY 2" BANJO          |
| 28029403 | 1         | 3"NPT MALE X S93 FEMALE        |
| 28029603 | 1         | VALVE STUBBY 3" BANJO          |
| 28029703 | 1         | CAP F.MALE QUICK COUPLER 3"    |



**K0740**

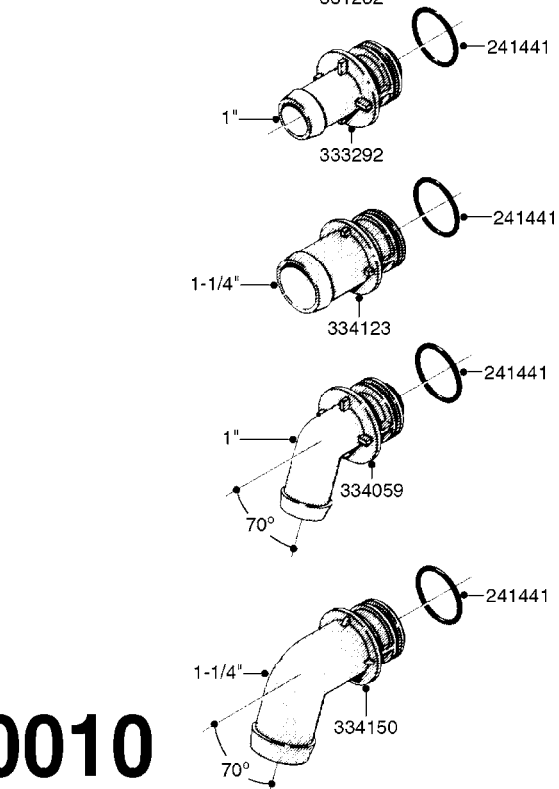
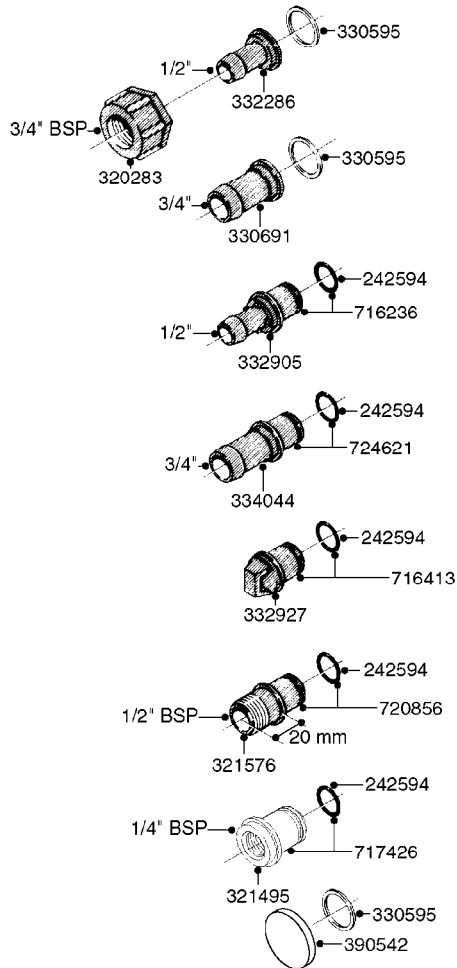
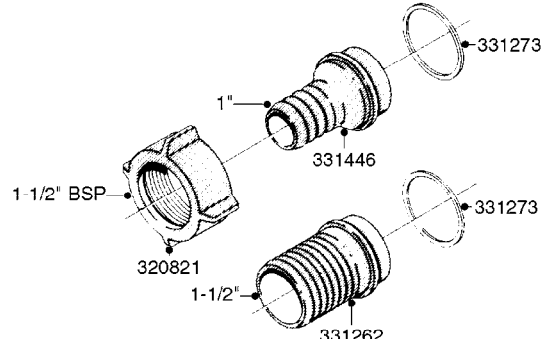
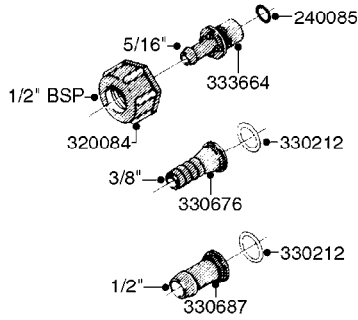
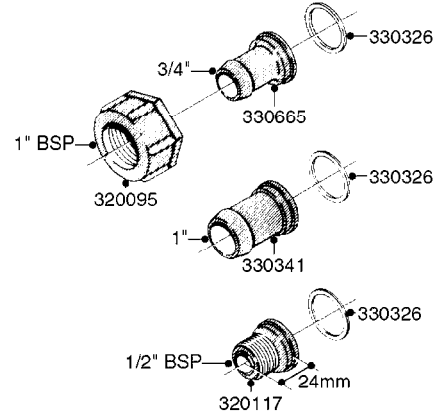
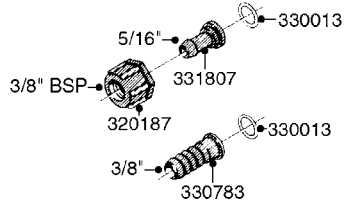




RINSE SYSTEM NOZZLE - LOW MOD.  
K0740-HIN, 01:01:16

Page 1  
Date 16.03.2016 13:55

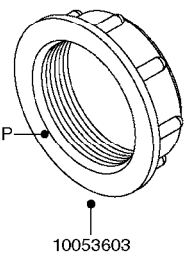
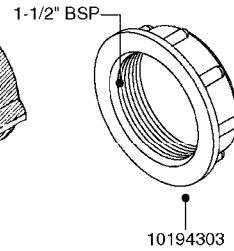
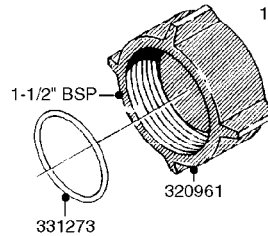
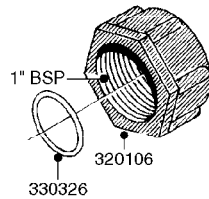
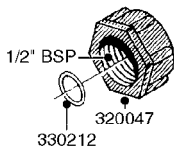
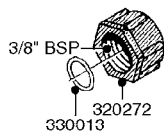
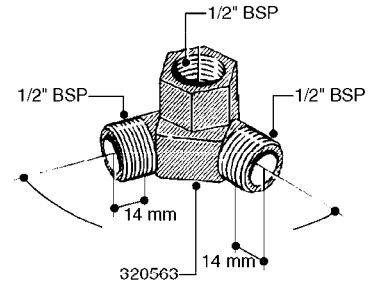
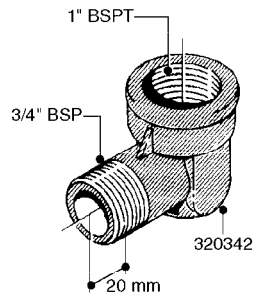
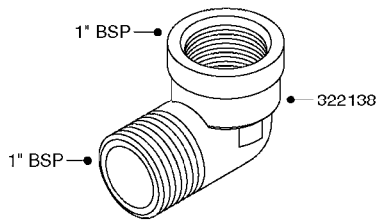
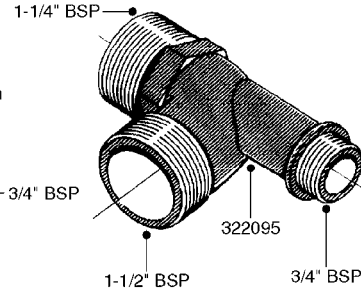
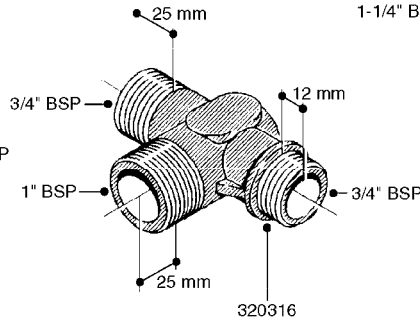
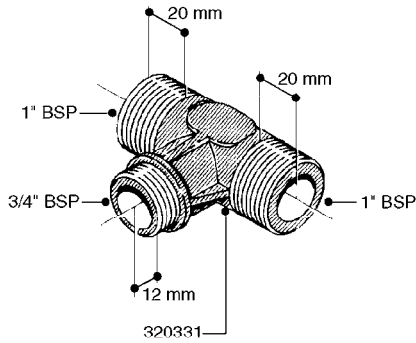
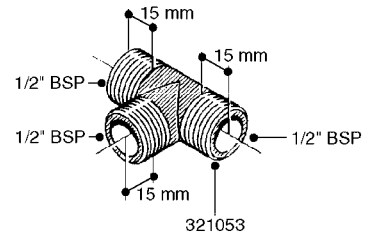
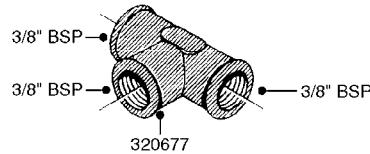
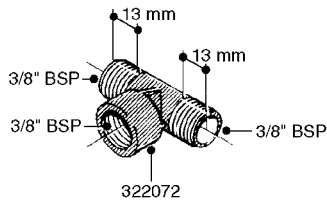
| Pos. | parts-n° | order qty | description                    |
|------|----------|-----------|--------------------------------|
| 1    | 145997   | 1         | FITT.DK S-93 FORK              |
| 2    | 240306   | 1         | O-RING D29/D21X4               |
| 3    | 242351   | 1         | O-RING D69.5X3.0 VITON F.S-93  |
| 4    | 242355   | 1         | O-RING D19.2X3.0 VITON F.S-40  |
| 5    | 320342   | 1         | FITT.DK EL 3/4" M X 1" F BSP   |
| 6    | 320456   | 1         | FITT.DK BULKHEAD 1" BSP DOUBLE |
| 7    | 320471   | 1         | FITT.DK NUT 1" BSP JAMB        |
| 8    | 320574   | 1         | FITT.DK NUT 1" BSP SPECIAL     |
| 9    | 321484   | 1         | BUSHING THREADED F.NOZZ.TUBE   |
| 10   | 322105   | 1         | FITT.DK S-93 BULKHEAD DOUBLE   |
| 11   | 322109   | 1         | FITT.DK S-93 BULKHEAD NUT      |
| 12   | 332577   | 1         | O-RING D38/D30X4 F.1" PUR.     |
| 13   | 334262   | 1         | GASKET F.S-93 BULKHEAD         |
| 14   | 341106   | 1         | TUBE F.RINSE NOZZLE L=220      |
| 15   | 390485   | 1         | FITT.DK S-93 PLUG W D34 HOLE   |
| 16   | 440665   | 1         | SCREW M4.2X16 STAINLESS        |
| 17   | 728014   | 1         | RINSE NOZZLE MOUNTED           |
| 18   | 72358000 | 1         | TANK RINSE LOW MOD.ASSMBLY NCM |



**L0010**



| parts-n° | order qty | description                     |
|----------|-----------|---------------------------------|
| 240085   | 1         | O-RING D13,1/8,3X02,4 NITRIL    |
| 241441   | 1         | O-RING D29.3X3                  |
| 242594   | 1         | O-RING D14 X 1.78 SCH.70-EPDM   |
| 320084   | 1         | FITT.DK NUT 1/2" BSP            |
| 320095   | 1         | FITT.DK NUT 1" BSP              |
| 320117   | 1         | FITT.DK CONN.1/2"BSP F. 1" CAP  |
| 320187   | 1         | FITT.DK CAP 3/8" BSP BLACK      |
| 320283   | 1         | FITT.DK NUT 3/4"BSP             |
| 320821   | 1         | FITT.DK NUT 1-1/2" BSP          |
| 321495   | 1         | FITT.DK REDUC 1/4'BSP F.3/4'NT  |
| 321576   | 1         | FITT.DK CONN 1/2"BSP F.3/4"NUT  |
| 330013   | 1         | O-RING D15/D10X2.5 F.3/8"NUT    |
| 330212   | 1         | O-RING D19/D14X2.4 F.1/2"NUT    |
| 330326   | 1         | O-RING D30/D24X2 F.1"NUT        |
| 330341   | 1         | FITT.DK HB 1" F. 1" NUT         |
| 330595   | 1         | O-RING D24.6/D20X2.1 -3/4"      |
| 330665   | 1         | 3/4' HOSE TAIL F/1' CAP         |
| 330676   | 1         | FITT.DK HB 3/8" F. 1/2" NUT     |
| 330687   | 1         | FITT.DK HB 1/2" F. 1/2" NUT     |
| 330691   | 1         | FITT.DK HB 3/4'F.3/4' NUT       |
| 330783   | 1         | FITT.DK HB 3/8" F.3/8" NUT      |
| 331262   | 1         | FITT.DK HB 1-1/2" F. 1-1/2"NUT  |
| 331273   | 1         | O-RING D44/D38X2 F.1-1/2"       |
| 331446   | 1         | FITT.DK HB 1" F.1-1/2" NUT      |
| 331807   | 1         | FITT.DK HB 5/16" F.3/8" NUT     |
| 332286   | 1         | FITT.DK HB 1/2" F. 3/4" NUT     |
| 332905   | 1         | FITT.DK HB 1/2" F. 3/4" CAP     |
| 332927   | 1         | PLUG F. NOZZLE TUBE 3/4'        |
| 333292   | 1         | FITT.DK HB 1"O'RING F.1-1/2"    |
| 333664   | 1         | FITT.DK HB 5/16' F. 1/2' NUT    |
| 334044   | 1         | FITT.DK HB 3/4' F. 3/4' CAP     |
| 334059   | 1         | FITT.DK EL 1" 110 DEG.F.1-1/2"  |
| 334123   | 1         | FITT.DK HB 1-1/4"O-RNG F.1-1/2" |
| 334150   | 1         | FITT.DK HB 1-1/4" 110 F.1-1/2"  |
| 390542   | 1         | PLUG WASHER FOR 3/4'CAP NUT     |
| 716236   | 1         | FITT.DK HB 1/2" ASSY. F. 3/4"   |
| 716413   | 1         | FITT.DK PLUG ASSY. F.NOZ TUBE   |
| 717426   | 1         | FITT.DK REDUC 1/4"BSP F.3/4"N   |
| 720856   | 1         | FITT.DK 1/2'BSP ASSY.F.3/4'NUT  |
| 724621   | 1         | FITT.DK HB 3/4"ASSY F.3/4" NUT  |



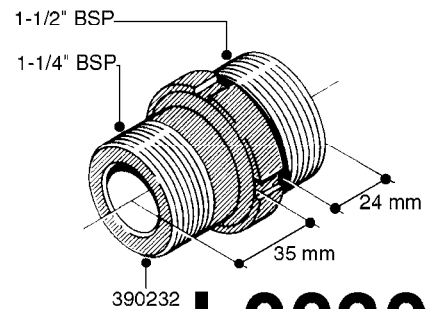
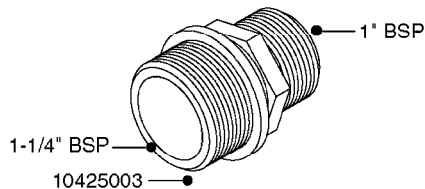
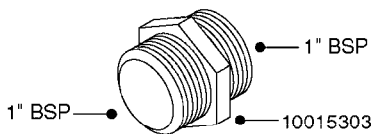
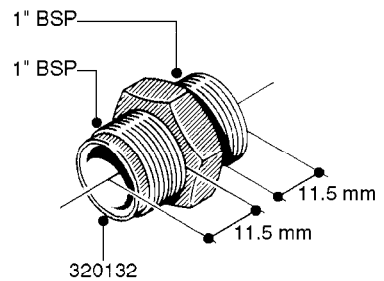
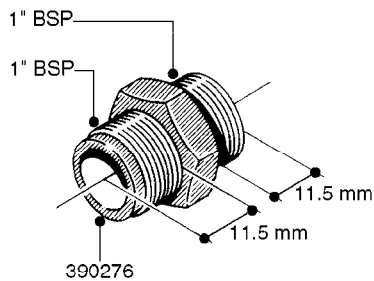
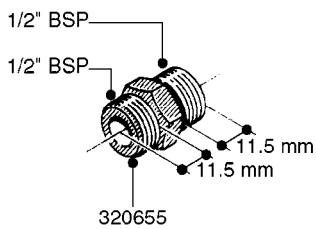
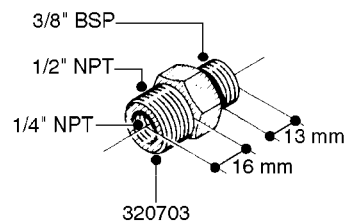
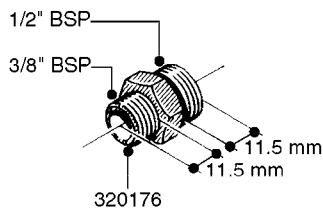
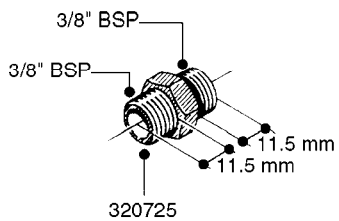
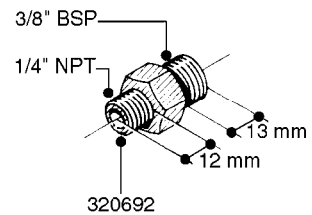
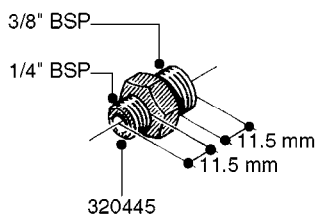
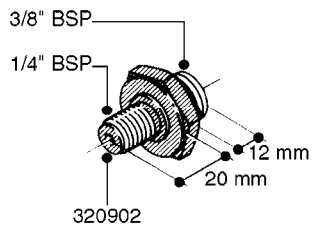
**L0020**



FITTINGS-T-PIECES, CAPS & ELBOWS  
L0020-HIN, 01:01:16

Page 1  
Date 16.03.2016 13:55

| parts-n° | order qty | description                        |
|----------|-----------|------------------------------------|
| 10053603 | 1         | FITT. CAPNUT 2"BSP 5601            |
| 10194303 | 1         | CAP BLANK 1 1/2 MCPHEE 210060      |
| 320047   | 1         | FITT.DK CAPNUT 1/2" BSP            |
| 320106   | 1         | FITT.DK CAPNUT 1" BSP              |
| 320272   | 1         | FITT.DK CAPNUT 3/8" BSP            |
| 320316   | 1         | FITT.DK TEE 3/4" X3/4" X1"BSP      |
| 320331   | 1         | FITT.DK TEE 1" - 1" - 3/4" BSP     |
| 320342   | 1         | FITT.DK EL 3/4"M X 1"F BSP         |
| 320563   | 1         | FITT.DK 3 WAY 1/2" 110 DEG.        |
| 320677   | 1         | NO LONGER AVAILABLE                |
| 320961   | 1         | FITT.DK CAPNUT 1-1/2" BSP          |
| 321053   | 1         | FITT.DK TEE 1/2 X1/2 X1/2" BSP     |
| 322072   | 1         | FITT.DK TEE 3/8'X3/8'X3/8' BSP     |
| 322095   | 1         | FITT.DK TEE 1-1/2 X1-1/4 X3/4" BSP |
| 322138   | 1         | FITT.DK ELB 1"M X 1"F BSP          |
| 330013   | 1         | O-RING D15/D10X2.5 F.3/8"NUT       |
| 330212   | 1         | O-RING D19/D14X2.4 F.1/2"NUT       |
| 330326   | 1         | O-RING D30/D24X2 F.1"NUT           |
| 331273   | 1         | O-RING D44/D38X2 F.1-1/2"          |



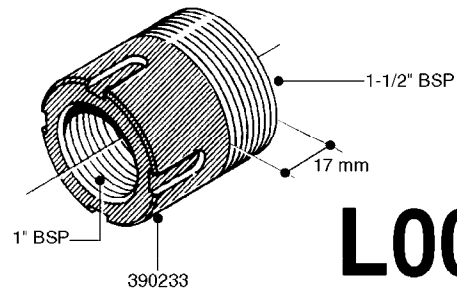
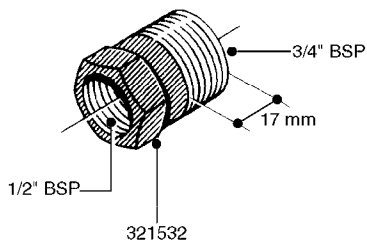
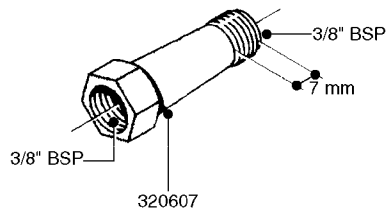
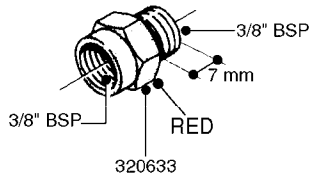
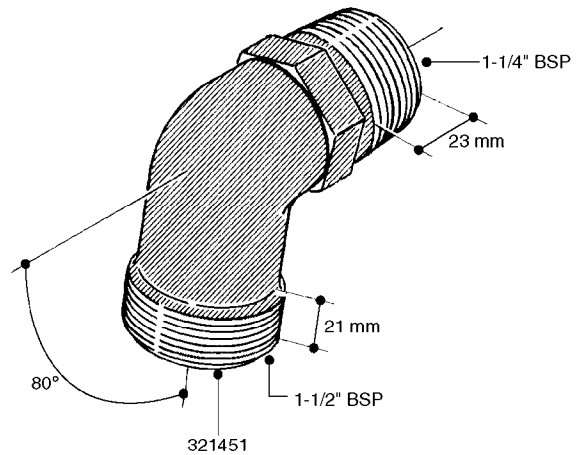
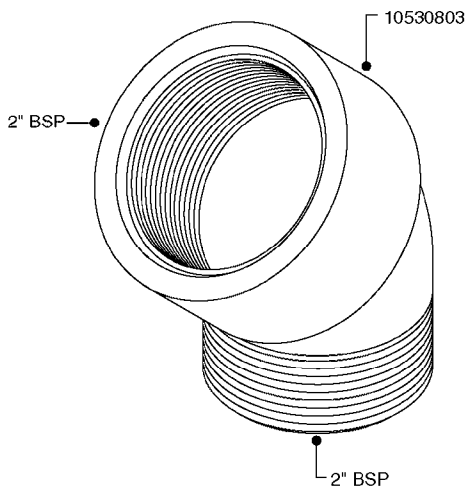
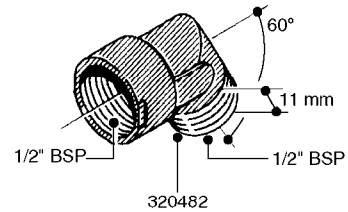
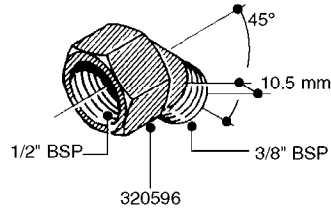
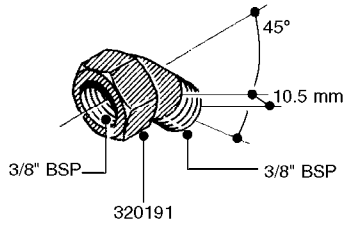
**L0030**



FITTINGS - HEXAGON NIPPLES  
L0030-HIN, 01:01:16

Page 1  
Date 16.03.2016 13:55

| parts-n° | order qty | description                    |
|----------|-----------|--------------------------------|
| 10015303 | 1         | FITT.PO.HN 1.00X1.00 M1000     |
| 10425003 | 1         | FITT.PO.HN 1.25X1.00 MCPHEE    |
| 320132   | 1         | FITT.DK HN 1" BSP              |
| 320176   | 1         | FITT.DK HN 3/8"X1/2" BSP       |
| 320445   | 1         | FITT.DK HN 1/4"X3/8" BSP       |
| 320655   | 1         | FITT.DK HN 1/2"-1/2" BSP       |
| 320692   | 1         | FITT.DK HN 3/8'BSPX1/4'NPT     |
| 320703   | 1         | FITT.DK HN 3/8BSP X1/2 &1/4NPT |
| 320725   | 1         | FITT.DK NIPPLE 3/8"-3/8" BSP   |
| 320902   | 1         | FITT.DK HN 3/8'X 1/4' BSP      |
| 390232   | 1         | FITT.DK HN 1-1/2' X 1-1/4' BSP |
| 390276   | 1         | FITT.DK HN 1'BSP               |



**L0040**



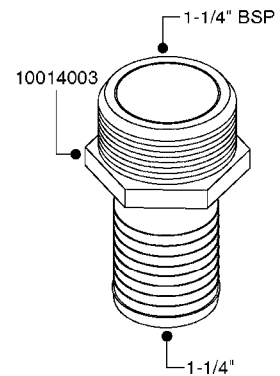
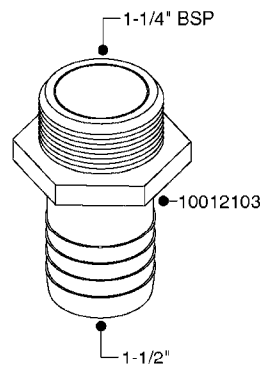
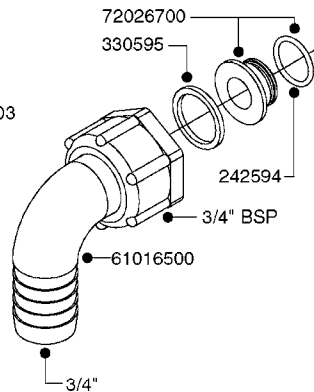
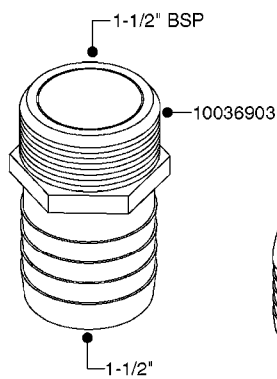
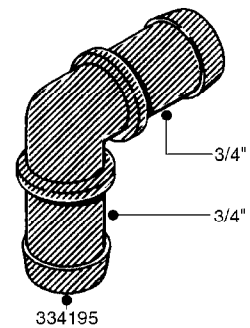
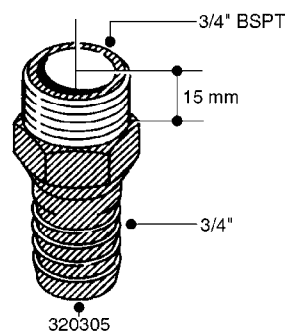
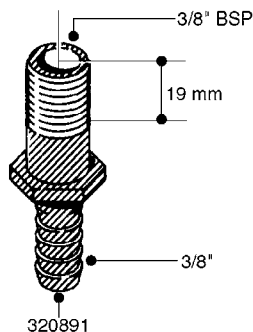
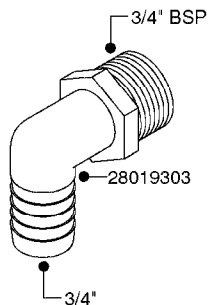
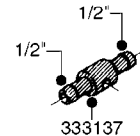
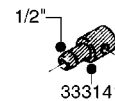
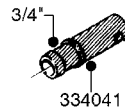
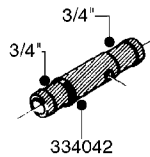
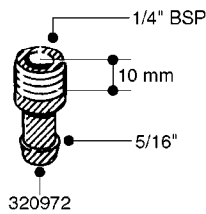
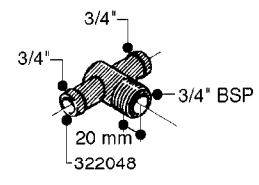
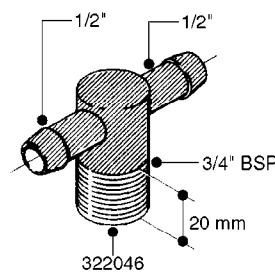
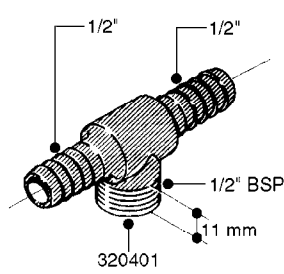
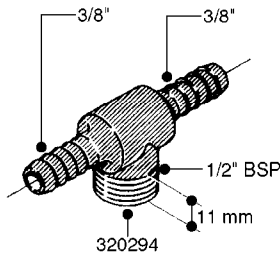
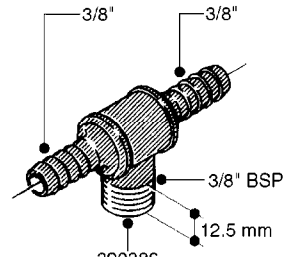
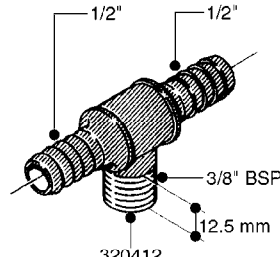
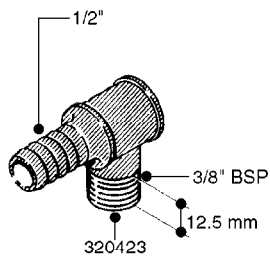
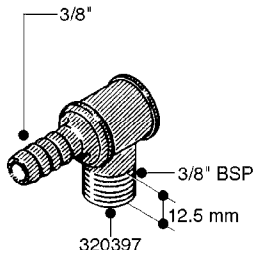


FITTINGS - NIPPLES & ELBOWS  
L0040-HIN, 01:01:16

Page 1

Date 16.03.2016 13:55

| parts-n° | order qty | description                    |
|----------|-----------|--------------------------------|
| 10530803 | 1         | FITT.PO.SE 2.00X2.00 45 DEG.   |
| 320191   | 1         | FITT.DK ELB 3/8' BSP 45 DEGREE |
| 320482   | 1         | FITT.DK ELB. 1/2" BSP 60 DEG.  |
| 320596   | 1         | FITT.DK ELB 3/8'-1/2'BSP 45DEG |
| 320607   | 1         | FITT.DK HN 3/8M X 3/8F BSP LNG |
| 320633   | 1         | FITT.DK HN 3/8"M X 3/8"F BSP   |
| 321451   | 1         | FITT.DK ELB.1-1/2 X1-1/4 80DEG |
| 321532   | 1         | FITT.DK REDUC 3/4' X 1/2' BSP  |
| 390233   | 1         | FITT.DK REDUC 1-1/2" X 1" BSP  |



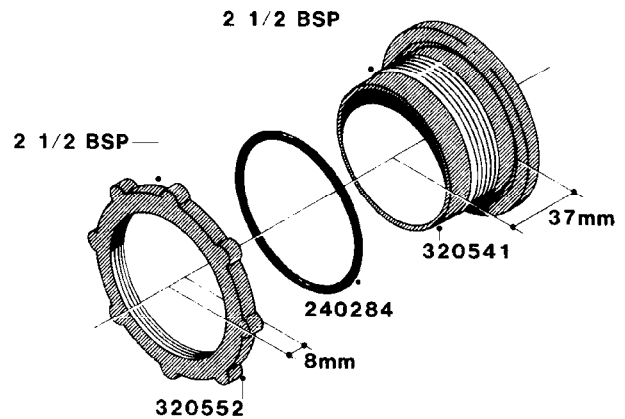
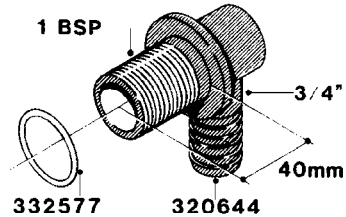
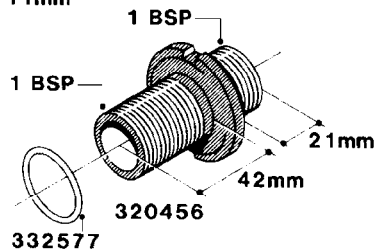
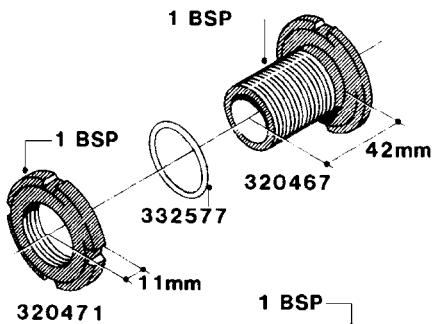
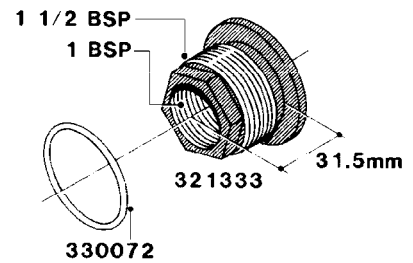
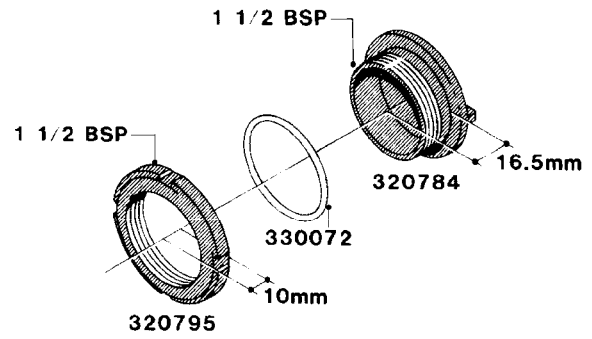
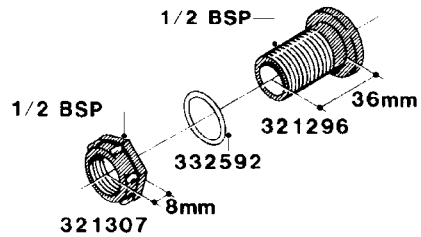
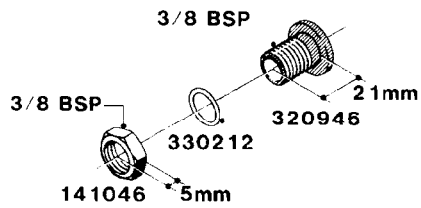
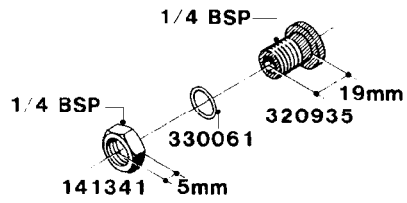
**L0050**



FITTINGS - HOSE CONNECTORS  
L0050-HIN, 01:01:16

Page 1  
Date 16.03.2016 13:55

| parts-n° | order qty | description                    |
|----------|-----------|--------------------------------|
| 242594   | 1         | O-RING D14 X 1.78 SCH.70-EPDM  |
| 320294   | 1         | FITT.DK TEE 3/8X3/8HB X1/2"BSP |
| 320305   | 1         | FITT.DK HB 3/4'- 3/4' BSP      |
| 320386   | 1         | FITT.DK TEE 3/8X3/8HB X3/8"BSP |
| 320397   | 1         | FITT.DK ELB 3/8"HB X 3/8" BSP  |
| 320401   | 1         | FITT.DK TEE 1/2X1/2HB X1/2"BSP |
| 320412   | 1         | FITT.DK TEE 1/2X1/2HB X3/8'BSP |
| 320423   | 1         | FITT.DK ELB 1/2'HB X 3/8' BSP  |
| 320891   | 1         | FITT.DK HB 3/8'- 3/8' BSP      |
| 320972   | 1         | FITT.DK HB 5/16'- 1/4' BSP     |
| 322046   | 1         | FITT.DK TEE 1/2X1/2HB X3/4'BSP |
| 322048   | 1         | FITT.DK TEE 3/4X3/4HB X3/4'BSP |
| 330595   | 1         | O-RING D24.6/D20X2.1 -3/4"     |
| 333137   | 1         | FITT.DK CONN.1/2" F.NOZZ. DOUB |
| 333141   | 1         | FITT.DK CONN.1/2" F.NOZZ.SING  |
| 334041   | 1         | FITT.DK CONN.3/4' F.NOZZ. SING |
| 334042   | 1         | FITT.DK CONN.3/4' F.NOZZ. DOUB |
| 334195   | 1         | FITT.DK ELB. 3/4"HB X 3/4"HB   |
| 10012103 | 1         | FITT.PO.HB 1.25X1.50 IMB1012   |
| 10014003 | 1         | FITT.PO.HB 1.25X1.25 IMB1010   |
| 10036903 | 1         | FITT.PO.HB 1.50X1.50 IMB1212   |
| 28019303 | 1         | FITTING HB ELB 3/4NPT-3/4HOSE  |
| 61016500 | 1         | HOSE TAIL 3/4" 90°+RG CAP 3/4" |
| 72026700 | 1         | NOZZLE TUBE ADAPTER W/O-RING   |



**L0060**

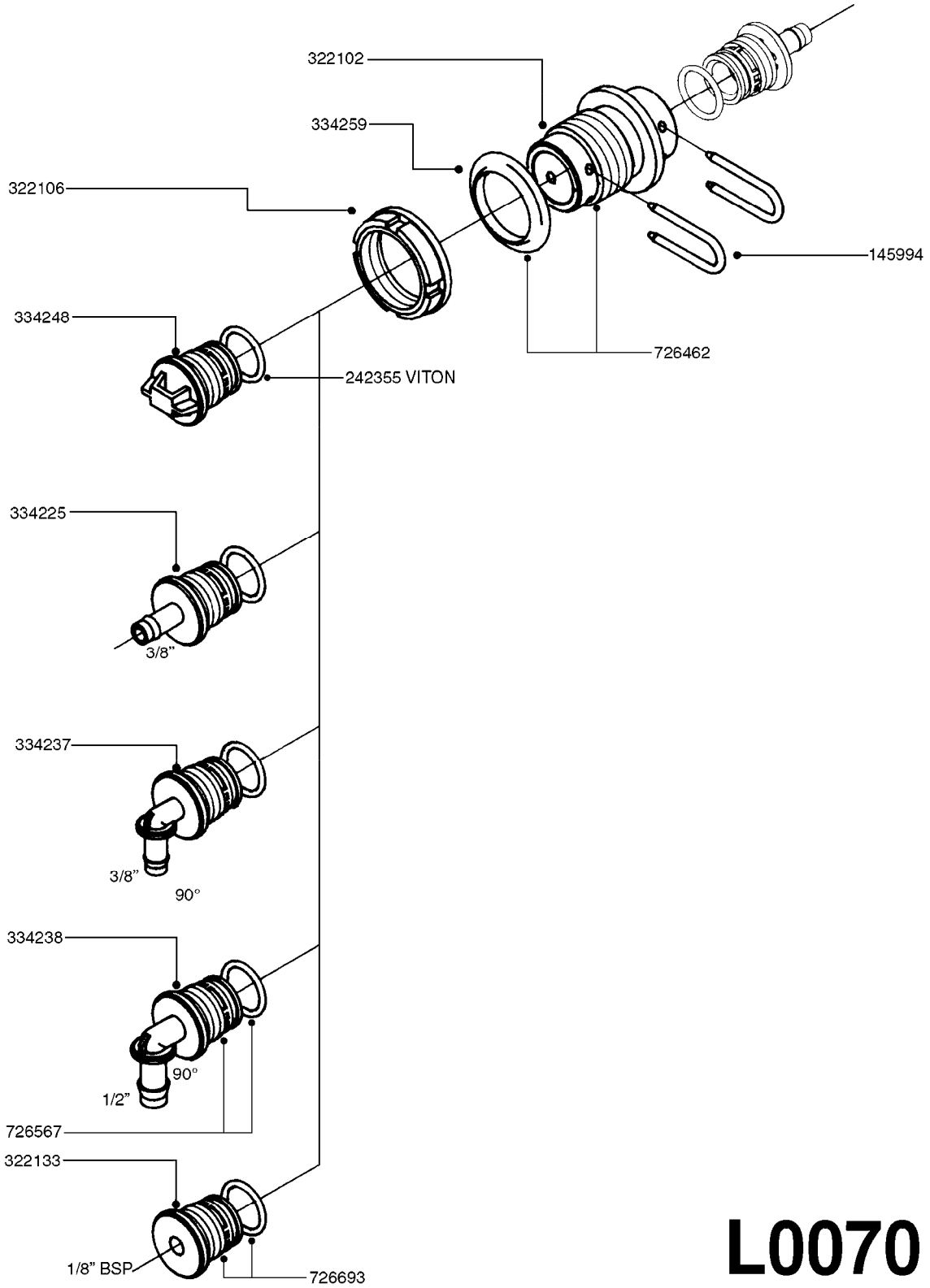


FITTINGS - BULKHEAD  
L0060-HIN, 01:01:16

Page 1

Date 16.03.2016 13:55

| parts-n° | order qty | description                    |
|----------|-----------|--------------------------------|
| 141046   | 1         | NUT 3/8" BSP                   |
| 141341   | 1         | NUT 1/4' BSP                   |
| 240284   | 1         | O-RING D82,5/75 X 3,5          |
| 320456   | 1         | FITT.DK BULKHEAD 1"BSP DOUBLE  |
| 320467   | 1         | FITT.DK BULKHEAD 1"BSP SINGLE  |
| 320471   | 1         | FITT.DK NUT 1" BSP JAMB        |
| 320541   | 1         | FITT.DK BULKHEAD 2-1/2'BSP SIN |
| 320552   | 1         | FITT.DK NUT 2-1/2' BSP JAMB    |
| 320644   | 1         | FITT.DK ELB.3/4"HB X 1" BSP    |
| 320784   | 1         | FITT.DK CAP 1-1/2" BSP         |
| 320795   | 1         | FITT.DK NUT 1-1/2" BSP JAMB    |
| 320935   | 1         | FITT.DK BULKHEAD 1/4' BSP SING |
| 320946   | 1         | FITT.DK BULKHEAD 3/8' BSP SING |
| 321296   | 1         | FITT.DK BULKHEAD 1/2" BSP SING |
| 321307   | 1         | FITT.DK NUT 1/2" BSP JAMB      |
| 321333   | 1         | FITT.DK BULK 1-1/2" X 1"F BSP  |
| 330061   | 1         | O-RING D16/D11X2,5             |
| 330072   | 1         | O-RING D53.5/D45.5X4           |
| 330212   | 1         | O-RING D19/D14X2.4 F.1/2"NUT   |
| 332577   | 1         | O-RING D38/D30X4 F.1" PUR.     |
| 332592   | 1         | O-RING D26/D20X3               |



**L0070**

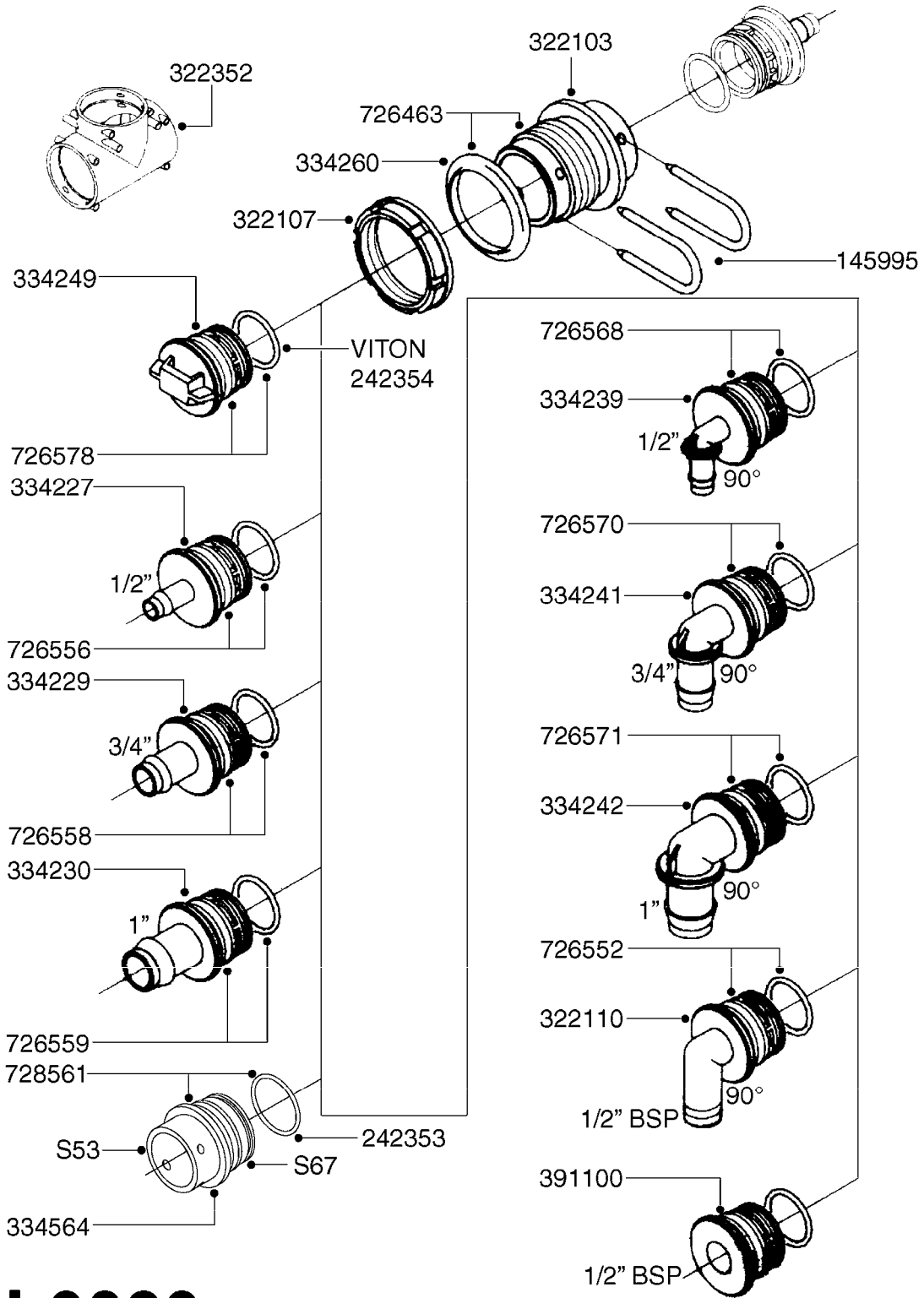


FITTINGS - S-40  
L0070-HIN, 01:01:16

Page 1

Date 16.03.2016 13:55

| parts-n° | order qty | description                    |
|----------|-----------|--------------------------------|
| 145994   | 1         | FITT.DK S-40 FORK              |
| 242355   | 1         | O-RING D19.2X3.0 VITON F.S-40  |
| 322102   | 1         | FITT.DK S-40 BULKHEAD          |
| 322106   | 1         | FITT.DK S-40 BULKHEAD NUT      |
| 322133   | 1         | FITT.DK S-40 PLUG W 1/8 THREAD |
| 334225   | 1         | FITT.DK S-40 STR.3/8'          |
| 334237   | 1         | FITT.DK S-40 ELB.3/8'          |
| 334238   | 1         | FITT.DK S-40 ELB.1/2'          |
| 334248   | 1         | FITT.DK S-40 PLUG              |
| 334259   | 1         | GASKET F. S-40 BULKHEAD        |
| 726462   | 1         | FITT. S40 BULHEAD W. GASKET    |
| 726567   | 1         | FITT.DK S-40 ELB.1/2" W.ORING  |
| 726693   | 1         | FITT.DK S-40 PLUG 1/8BSP ORING |



**L0080**



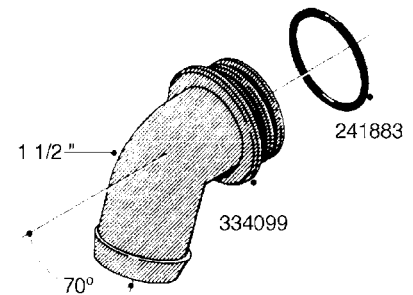
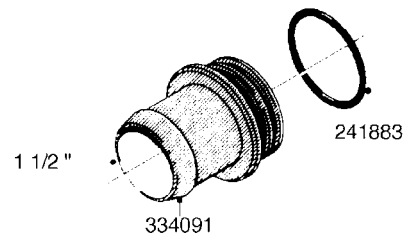
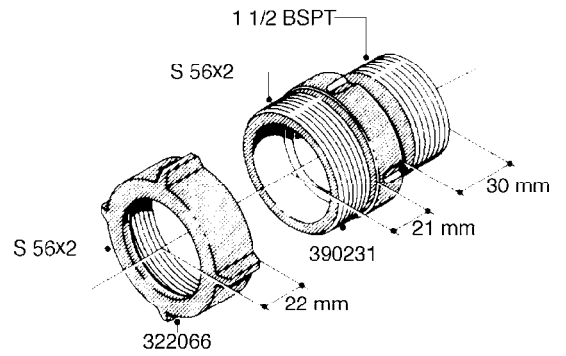
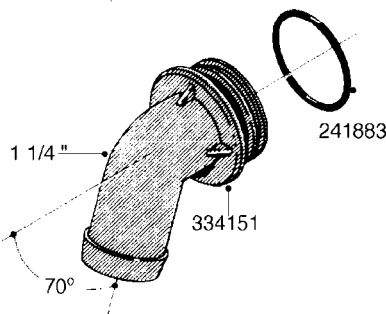
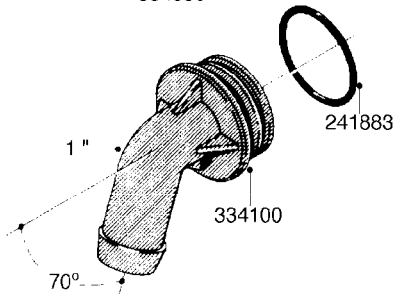
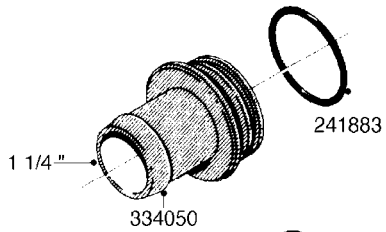
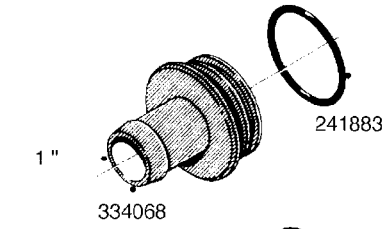
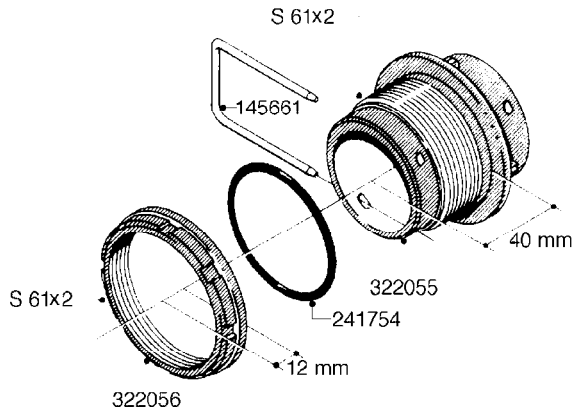


FITTINGS - S-53  
L0080-HIN, 01:01:16

Page 1

Date 16.03.2016 13:55

| parts-n° | order qty | description                    |
|----------|-----------|--------------------------------|
| 145995   | 1         | FITT.DK S-53 FORK              |
| 242353   | 1         | O-RING D44.2X3.0 VITON F.S-67  |
| 242354   | 1         | O-RING D32.2X3.0 VITON F.S-53  |
| 322103   | 1         | FITT.DK S-53 BULKHEAD          |
| 322107   | 1         | FITT.DK S-53 BULKHEAD NUT      |
| 322110   | 1         | FITT.DK S-53 ELB. 1/2" BSP     |
| 322352   | 1         | FITT.DK S-53 TEE               |
| 334227   | 1         | FITT.DK S-53 STR.1/2'          |
| 334229   | 1         | FITT.DK S-53 STR.3/4"          |
| 334230   | 1         | FITT.DK S-53 STR.1"            |
| 334239   | 1         | FITT.DK S-53 ELB.1/2"          |
| 334241   | 1         | FITT.DK S-53 ELB.3/4"          |
| 334242   | 1         | FITT.DK S-53 ELB.1"            |
| 334249   | 1         | FITT.DK S-53 PLUG              |
| 334260   | 1         | GASKET F. S-53 BULKHEAD        |
| 334564   | 1         | FITT.DK S-67 TO S-53 ADAPTER   |
| 391100   | 1         | FITT.DK S-53THREAD INS.1/2"BSP |
| 726463   | 1         | FITT.DK S53 BULKHEAD W/GASKET  |
| 726552   | 1         | FIT.DK S-53X90 1/2" BSP,O-RING |
| 726556   | 1         | FITT.DK S-53 HB 1/2" W/O-RING  |
| 726558   | 1         | FITT.DK S53 STR. 3/4" W.ORING  |
| 726559   | 1         | FITT DK. S-53 HB 1" W/O-RING   |
| 726568   | 1         | FITT.DK.S-53 HB 1/2"90 W/ORING |
| 726570   | 1         | FITT.DK S-53 ELB.3/4" W.ORING  |
| 726571   | 1         | FITT.DK S-53 ELB.1", W ORING   |
| 726578   | 1         | FITT.DK S53 PLUG WITH O-RING   |
| 728561   | 1         | FITT.DK. S67M - S53F REDUCER   |



**L0090**

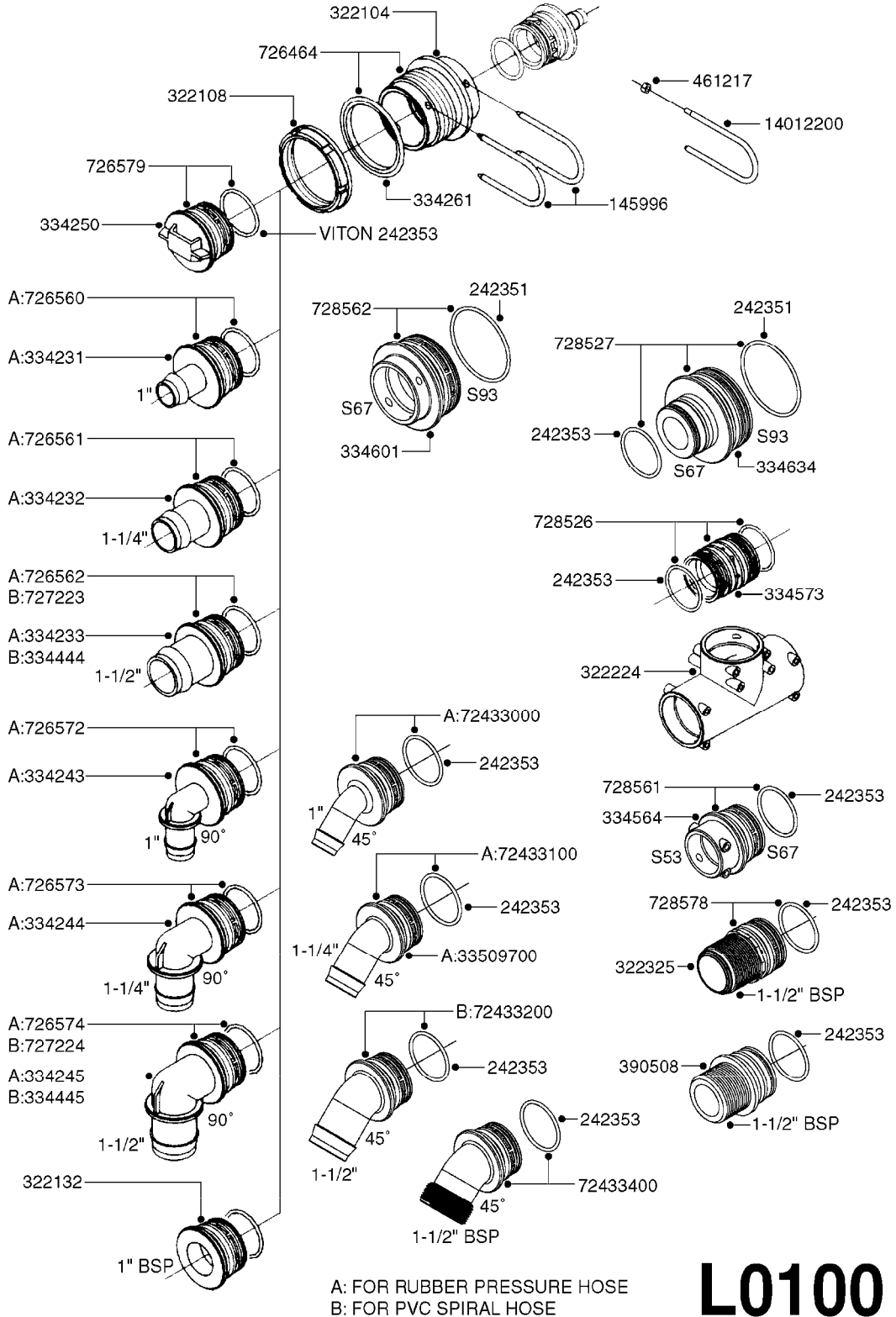


FITTINGS - S-56 & S-61  
L0090-HIN, 01:01:16

Page 1

Date 16.03.2016 13:55

| parts-n° | order qty | description                    |
|----------|-----------|--------------------------------|
| 145661   | 1         | FITT.DK S-61 FORK              |
| 241754   | 1         | O-RING D59.5X3                 |
| 241883   | 1         | O-RING D39.2X3 NITRIL 242020   |
| 322055   | 1         | FITT.DK S-61 BULKHEAD          |
| 322056   | 1         | FITT.DK S-61 BULKHEAD NUT      |
| 322066   | 1         | FITT.DK S-56 NUT               |
| 334050   | 1         | FITT.DK S-61 STR.1-1/4"        |
| 334068   | 1         | FITT.DK S-61 STR.1"            |
| 334091   | 1         | FITT.DK S-61 STR.1-1/2'        |
| 334099   | 1         | FITT.DK S-61 ELB.1-1/2"110 DEG |
| 334100   | 1         | FITT.DK S-61 ELB.1" 110 DEG.   |
| 334151   | 1         | FITT.DK S-61 ELB.1-1/4"110 DEG |
| 390231   | 1         | FITT.DK NIPPLE 1-1/2 X S56     |



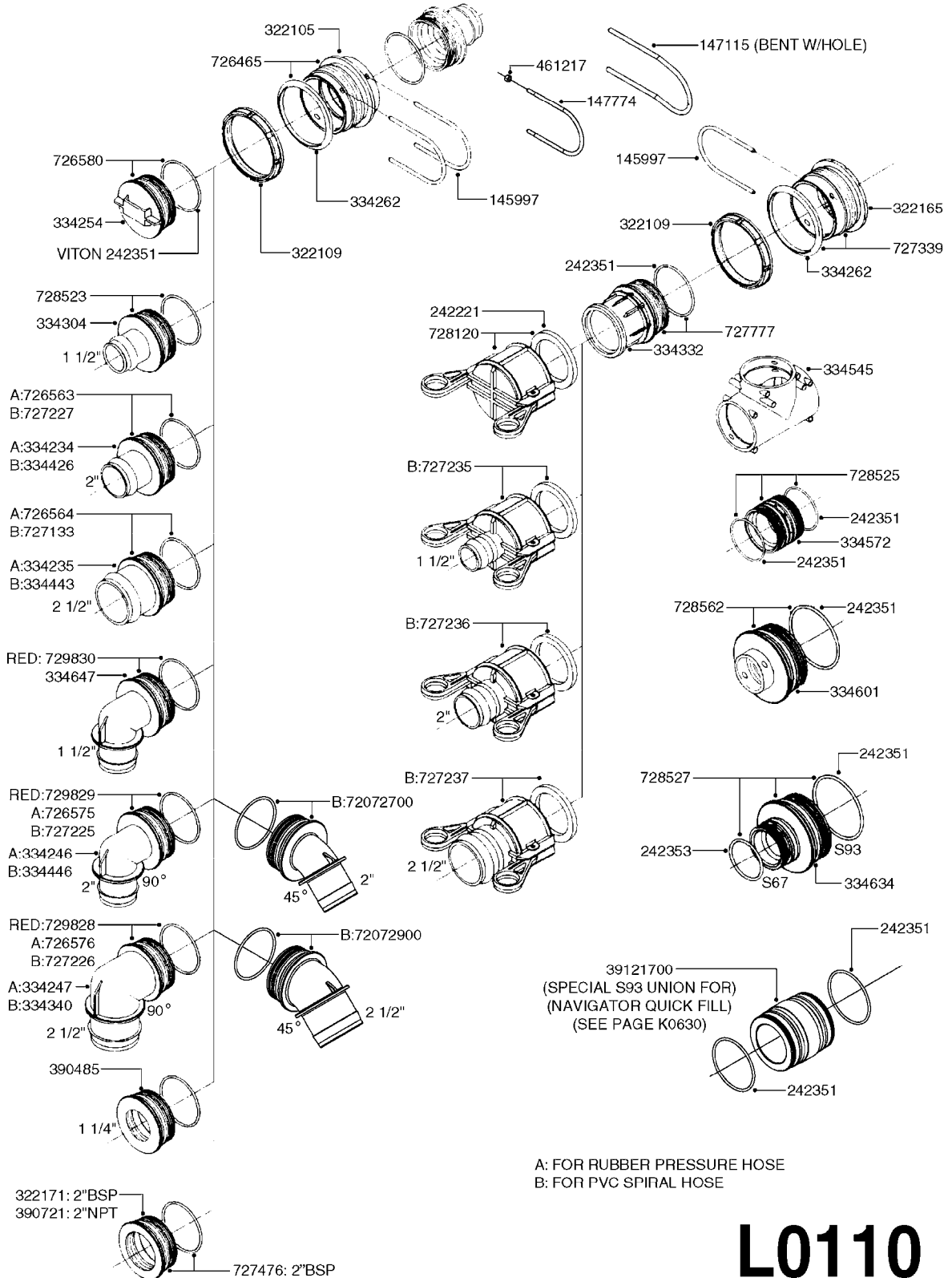


FITTINGS - S-67  
L0100-HIN, 01:01:16

Page 1

Date 16.03.2016 13:55

| parts-n° | order qty | description                    |
|----------|-----------|--------------------------------|
| 145996   | 1         | FITT.DK S-67 FORK              |
| 242351   | 1         | O-RING D69.5X3.0 VITON F.S-93  |
| 242353   | 1         | O-RING D44.2X3.0 VITON F.S-67  |
| 322104   | 1         | FITT.DK S-67 BULKHEAD          |
| 322108   | 1         | FITT.DK S-67 BULKHEAD NUT      |
| 322132   | 1         | FITT.DK S-67 THREAD INS.1'BSP  |
| 322224   | 1         | FITT.DK S-67 TEE               |
| 322325   | 1         | FITT.DK S-67 X 1-1/2"BSP LONG  |
| 334231   | 1         | FITT.DK S-67 STR.1'            |
| 334232   | 1         | FITT.DK S-67 STR.1-1/4'        |
| 334233   | 1         | FITT.DK S-67 STR.1-1/2' RUBBER |
| 334243   | 1         | FITT.DK S-67 ELB.1"            |
| 334244   | 1         | FITT.DK S-67 ELB.1-1/4"        |
| 334245   | 1         | FITT.DK S-67 ELB. 1-1/2'RUBBER |
| 334250   | 1         | FITT.DK S-67 PLUG              |
| 334261   | 1         | GASKET F. S-67 BULKHEAD        |
| 334444   | 1         | FITT.DK S-67 STR.1-1/2" PVC    |
| 334445   | 1         | FITT.DK S-67 ELB.1-1/2"        |
| 334564   | 1         | FITT.DK S-67 TO S-53 ADAPTER   |
| 334573   | 1         | FITT.DK S-67 CONNECTOR         |
| 334601   | 1         | FITT.DK S-93 TO S67 ADAPTOR    |
| 334634   | 1         | FITT.DK ADAPTER S-93M S67M     |
| 390508   | 1         | FITT DK S67X1.5M BSPalt322325  |
| 461217   | 1         | NUT HEX M5 LOCK                |
| 726464   | 1         | FITT.DK S-67 BULKHEAD W/GASKET |
| 726560   | 1         | FITT.DK S-67 STR.1" W.O'RING   |
| 726561   | 1         | FITT.DK S-67 STR.1-1/4" O'RING |
| 726562   | 1         | FITT.DK.S-67 HB 1-1/2"W.O-RING |
| 726572   | 1         | FITT.DK S-67 1" ELBOW 90 ASSY. |
| 726573   | 1         | FITT. S67 5/4" 90° W/O-RING    |
| 726574   | 1         | FITT.DK S67X90,1.5HB PRESSURE  |
| 726579   | 1         | FITT. S67 PLUG W/O-RING        |
| 727223   | 1         | FITT.S67 1.5" STRAIT S W/ORING |
| 727224   | 1         | FITT.DK S67X90,1.5HB SUCTION   |
| 728526   | 1         | FITT.DK S-67 CONNECT W. ORINGS |
| 728527   | 1         | ADAPTER S67M TO S93M W/ORING   |
| 728561   | 1         | FITT.DK. S67M - S53F REDUCER   |
| 728562   | 1         | FITT.DK S-93 TO S67 ADAPTOR    |
| 728578   | 1         | FITT.DK S-67X1-1/2"BSP LG W/OR |
| 14012200 | 1         | FITT.DK S-67 FORK W/M5 THREADS |
| 33509700 | 1         | FITT.DK S-67 45° 1-1/4"        |
| 72433000 | 1         | FITT.S67 1" 45° W/ORING        |
| 72433100 | 1         | FITT.DK S-67 45° 1-1/4"W/ORING |
| 72433200 | 1         | FITT.S67 1-1/2" 45°PVC W/ORING |
| 72433400 | 1         | FITT.S67 1-1/2" 45°BSP W/ORING |



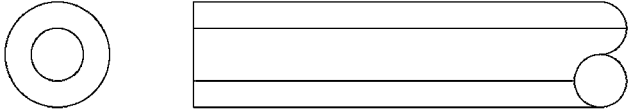
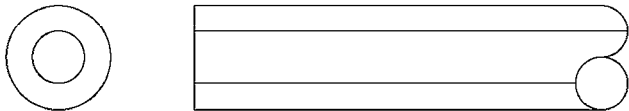
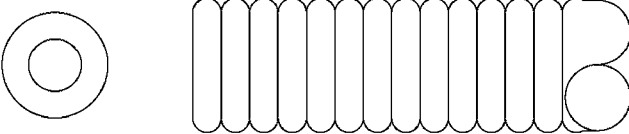
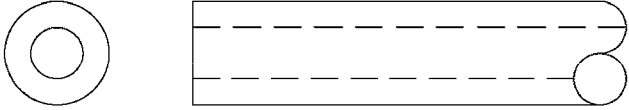
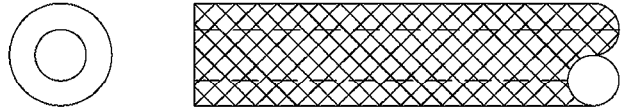

A: FOR RUBBER PRESSURE HOSE  
B: FOR PVC SPIRAL HOSE

# L0110



| parts-n° | order qty | description                    |
|----------|-----------|--------------------------------|
| 145997   | 1         | FITT.DK S-93 FORK              |
| 147115   | 1         | FITT.DK S-93 FORK SPECIAL      |
| 147774   | 1         | FITT.DK S-93 FORK W. M5 THREAD |
| 242221   | 1         | GASKET F. S-93 QUICK COUPLERS  |
| 242351   | 1         | O-RING D69.5X3.0 VITON F.S-93  |
| 242353   | 1         | O-RING D44.2X3.0 VITON F.S-67  |
| 322105   | 1         | FITT.DK S-93 BULKHEAD DOUBLE   |
| 322109   | 1         | FITT.DK S-93 BULKHEAD NUT      |
| 322165   | 1         | FITT.DK S-93 BULKHEAD SINGLE   |
| 322171   | 1         | FITT.DK S-93 THREAD INS.2"BSP  |
| 334234   | 1         | FITT.DK S-93 STR.2" RUBBER     |
| 334235   | 1         | FITT.DK S-93 STR.2-1/2'RUBBER  |
| 334246   | 1         | FITT.DK S-93 ELB.2" PVC        |
| 334247   | 1         | FITT.DK S-93 ELB.2-1/2'RUBBER  |
| 334254   | 1         | FITT.DK S-93 PLUG              |
| 334262   | 1         | GASKET F.S-93 BULKHEAD         |
| 334304   | 1         | FITT.DK S-93 STR.1-1/2" PVC    |
| 334332   | 1         | FITT.DK S-93 MALE QUICK COUP.  |
| 334340   | 1         | FITT.DK S-93 ELBOW 2.5"        |
| 334426   | 1         | FITT.DK S-93 STR.2'            |
| 334443   | 1         | HOSE PIPE BR.21/2'-EVEN S      |
| 334446   | 1         | FITT.DK S-93 ELB.2" PVC        |
| 334545   | 1         | FITT.DK S-93 TEE               |
| 334572   | 1         | FITT.DK S-93 ADAPTOR MALE MALE |
| 334601   | 1         | FITT.DK S-93 TO S67 ADAPTOR    |
| 334634   | 1         | FITT.DK ADAPTER S-93M S67M     |
| 334647   | 1         | FITT.DK S93 ELB 1-1/2" 90 PVC  |
| 390485   | 1         | FITT.DK S-93 PLUG W D34 HOLE   |
| 390721   | 1         | FITT.DK S-93 PLUG W/2'NPT THRE |
| 461217   | 1         | NUT HEX M5 LOCK                |
| 726465   | 1         | FITT.DK S-93 BULKHEAD W/GASKET |
| 726563   | 1         | FITT.DK S-93 STR 2" W/O-RING   |
| 726564   | 1         | HOSE TAIL 2 1/2' W.O-RING      |
| 726575   | 1         | FITT.DK S-93 ELB. 2' RUBBER    |
| 726576   | 1         | FITT. DK S-93 2 1/2" 90°       |
| 726580   | 1         | FITT. S93 PLUG W/O-RING        |
| 727133   | 1         | FITT. S93 2-1/2" STR. S W/O-RI |
| 727225   | 1         | FITT.DK S-93 ELB.2'PVC W/ORING |
| 727226   | 1         | FITT. S93 2-1/2" 90° S W/O-RIN |
| 727227   | 1         | FITT.DK S-93 STR.2' W/ORING    |
| 727235   | 1         | QUICK COUPLER FEMALE W 1-1/2HB |
| 727236   | 1         | QUICK COUPLER FEMALE W 2'HB    |
| 727237   | 1         | QUICK COUPLER FEMALE W2-1/2'HB |
| 727339   | 1         | FITT. S93 DRAIN BULKHEAD W/O-R |
| 727476   | 1         | FITT. DK S-93 2"FM THD W.ORING |
| 727777   | 1         | QUICK COUPLER S93 DRAIN W/O-RI |
| 728120   | 1         | QUICK COUPLER CAP F.S93 DRAIN  |
| 728523   | 1         | FITT.DK S-93 STR.1-1/2"        |
| 728525   | 1         | FITT. S93 CONNECTOR W/O-RINGS  |
| 728527   | 1         | ADAPTER S67M TO S93M W/ORING   |
| 728562   | 1         | FITT.DK S-93 TO S67 ADAPTOR    |
| 729828   | 1         | FITT.DK S-93 ELB 2-1/2" RED    |
| 729829   | 1         | FITT.DK S-93 ELB 2 RED         |
| 729830   | 1         | FITT.DK S-93 ELB 1-1/2" 90 RED |
| 39121700 | 1         | FITT.DK S93 ADAP LG MALE MALE  |
| 72072700 | 1         | FITT.DK S-93 45D 2" PVC        |
| 72072900 | 1         | FITT.S93 2-1/2" 45°PVC W/ORING |



| I.D.                                   | PART # (ONE FOOT)                                        |                                                                                                                                                        |
|----------------------------------------|----------------------------------------------------------|--------------------------------------------------------------------------------------------------------------------------------------------------------|
| 3/8"<br>1/2"<br>3/4"<br>1"<br>1-1/4"   | 92701703<br>92702103<br>92703203<br>92712403<br>92734403 |  <p>RUBBER HOSE<br/>SMOOTH, BLACK, TWO BLUE STRIPES</p>              |
| 5/16"<br>3/8"<br>1/4"<br>1/2"<br>3/4"  | 927281<br>927284<br>927268<br>927269<br>927270           |  <p>PVC HOSE<br/>SHINY, BLACK, SMOOTH, TWO WHITE STRIPES</p>         |
| 1"<br>1-1/4"<br>1-1/2"<br>2"<br>2-1/2" | 92702403<br>92738900<br>92702603<br>92702703<br>92702803 |  <p>PVC SPIRAL SUCTION HOSE<br/>SHINY, RIBBED, GRAY</p>             |
| 3/4"                                   | 927205                                                   |  <p>PVC HOSE<br/>CLEAR, SMOOTH</p>                                 |
| 1/2"<br>3/4"                           | 10631003<br>927231                                       |  <p>PVC HOSE<br/>SMOOTH, CLEAR, REINFORCED WITH<br/>WHITE MESH</p> |
| 4mm<br>6mm<br>8mm<br>10mm              | 927253 RED<br>927264 RED<br>927306 BLACK<br>927330 BLACK |  <p>PVC AIR HOSE<br/>SMOOTH</p>                                    |

**L0120**

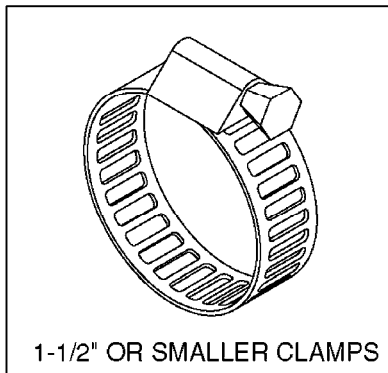




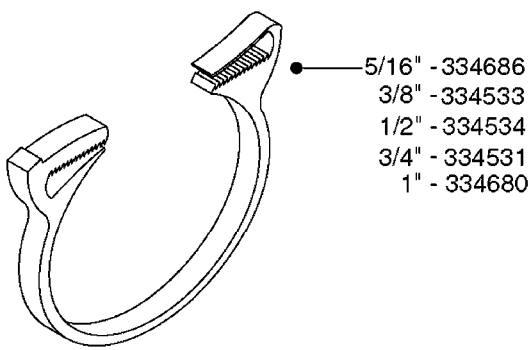
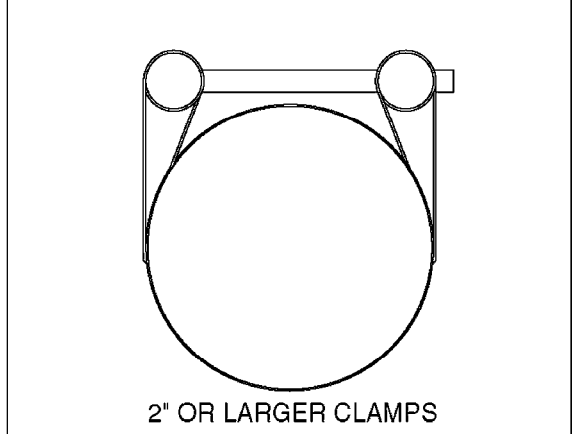
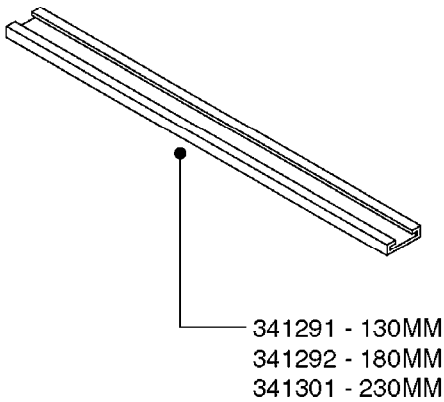
BULK HOSE  
L0120-HIN, 01:01:16

Page 1  
Date 16.03.2016 13:55

| parts-n° | order qty | description                    |
|----------|-----------|--------------------------------|
| 927205   | 1         | HOSE R X CLEAR X 3/4 X 0012"   |
| 927231   | 1         | HOSE R X PVCX3/4 CLR/BRD 0012" |
| 927253   | 1         | AIR HOSE, DIAMETER 4MM         |
| 927264   | 1         | HOSE R X PE D6/D4 X 0012"      |
| 927268   | 1         | HOSE R X PVC X 1/4 X 0012"     |
| 927269   | 1         | HOSE R X PVC X 1/2 X 0012"     |
| 927270   | 1         | HOSE R X PVC X 3/4 X 0012"     |
| 927281   | 1         | HOSE R X PVC X 5/16 X 0012"    |
| 927284   | 1         | HOSE 3/8 PVC W/ INSERT         |
| 927306   | 1         | HOSE R X PE D8/D6 X 0012"BLACK |
| 927330   | 1         | HOSE R X PE D10/D8 X 012"BLACK |
| 10631003 | 1         | HOSE R X CLEAR BRAID.X 1/2 12" |
| 92701703 | 1         | HOSE R X3/8" X300PSI WP X0012" |
| 92702103 | 1         | HOSE R X1/2" X300PSI WP X0012" |
| 92702403 | 1         | HOSE PVC SUCT GRAY 1"          |
| 92702603 | 1         | HOSE PVC SUCT GRAY 1-1/2"      |
| 92702703 | 1         | HOSE PVC SUCT GRAY 2"          |
| 92702803 | 1         | HOSE PVC SUCT GRAY 2.5"        |
| 92703203 | 1         | HOSE R X3/4" X300PSI WP X0012" |
| 92712403 | 1         | HOSE R X1" X300PSI WP X0012"   |
| 92734403 | 1         | HOSE R X5/4" X200PSI WP X0012" |
| 92738900 | 1         | HOSE R X PVC X 1-1/4" 0012"    |



| Hose Size | Pressure | Suction  | Clamp Code |
|-----------|----------|----------|------------|
| 3/8"      | 28029803 |          | 6706       |
| 1/2"      | 28029803 |          | 6706       |
| 3/4"      | 28029903 |          | 6712       |
| 1"        | 28030003 | 28029903 | 6716       |
| 1-1/4"    | 28030103 |          | 6724       |
| 1-1/2"    |          | 28030103 | 6724       |
| 2"        |          | 28030203 | 235-67     |
| 2-1/2"    |          | 28030303 | 235-74     |
| 3"        |          | 28030403 | 235-82     |



**L0130**

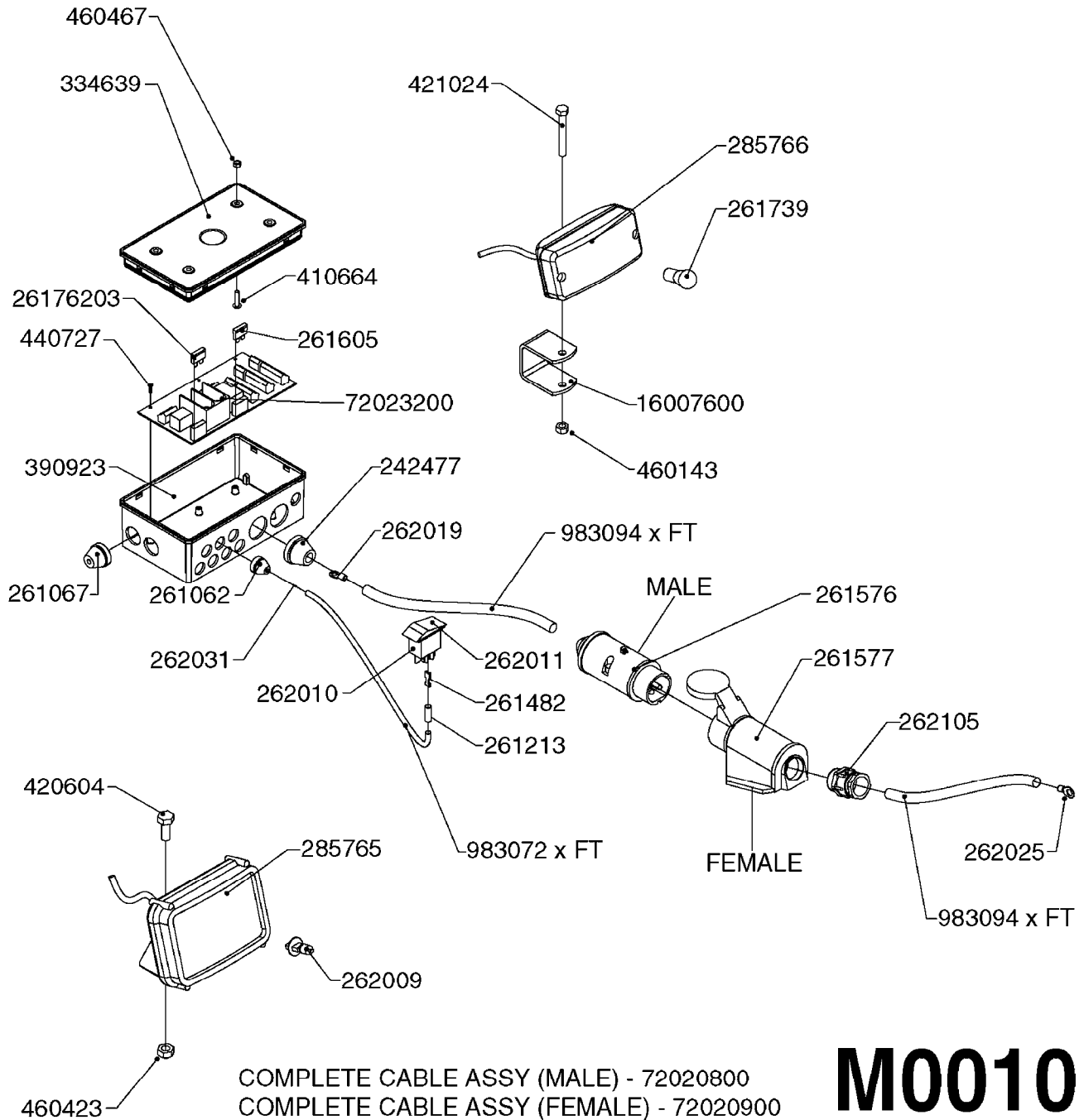


HOSE CLAMPS  
L0130-HIN, 01:01:16

Page 1

Date 16.03.2016 13:55

| parts-n° | order qty | description                    |
|----------|-----------|--------------------------------|
| 334531   | 1         | CLAMP HOSE PLASTIC 3/4"        |
| 334533   | 1         | CLAMP HOSE PLASTIC 3/8"        |
| 334534   | 1         | CLAMP HOSE PLASTIC 1/2"        |
| 334680   | 1         | CLAMP HOSE PLASTIC 1"          |
| 334686   | 1         | CLAMP HOSE PLASTIC 5/16"       |
| 341291   | 1         | RUBBER HOSE CLAMP COVER 130MM  |
| 341292   | 1         | RUBBER HOSE CLAMP COVER 180MM  |
| 341301   | 1         | RUBBER HOSE CLAMP COVER 230MM  |
| 28029803 | 1         | CLAMP HOSE GEAR P1/2" 6708     |
| 28029903 | 1         | CLAMP HOSE GEAR P3/4"-S1" 6712 |
| 28030003 | 1         | CLAMP HOSE GEAR P1" 6716       |
| 28030103 | 1         | CLAMP HOSE GEAR P5/4-S1.5"6724 |
| 28030203 | 1         | CLAMP HOSE T-BOLT S2" 235-67   |
| 28030303 | 1         | CLAMP HOSE T-BOLT S2.5" 235-76 |
| 28030403 | 1         | CLAMP HOSE T-BOLT S3" 235-82   |



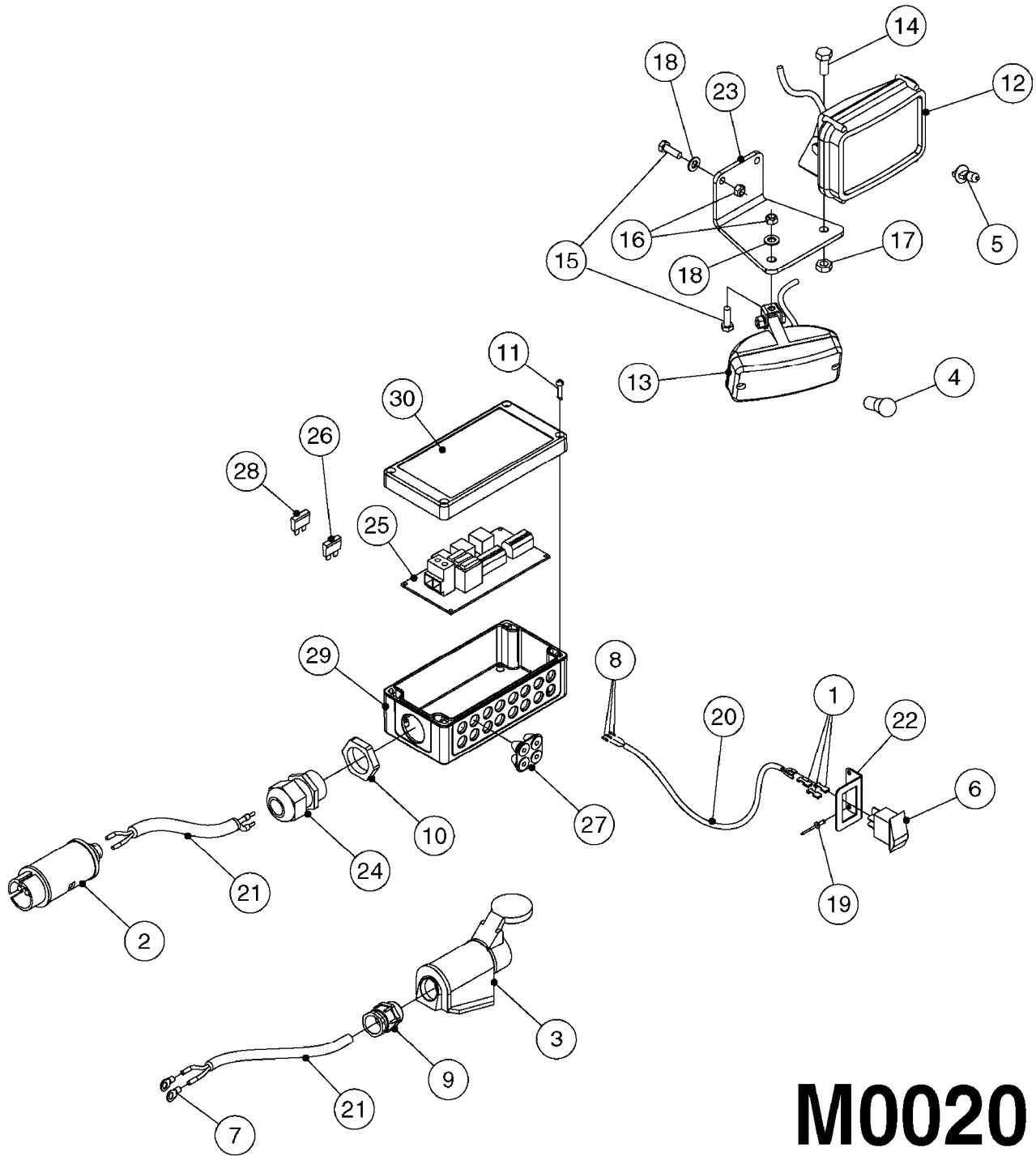


BOOM AND WORKING LIGHT KIT  
M0010-HIN, 01:01:16

Page 1

Date 16.03.2016 13:55

| parts-n° | order qty | description                       |
|----------|-----------|-----------------------------------|
| 242477   | 1         | GROMMET 14-20 GREY                |
| 261062   | 1         | GROMMET                           |
| 261067   | 1         | GROMMET 10-14 GREY                |
| 261213   | 1         | WIRE 6.4MM BLACK                  |
| 261482   | 1         | SPADE TERMINAL 6.3X.8 1.0-2.5m    |
| 261576   | 1         | PLUG ELEC.2 POLE MALE F.PILOT     |
| 261577   | 1         | PLUG ELEC.2 POLE FEMALE- PILOT    |
| 261605   | 1         | FUSE 25A F. HP3050                |
| 261739   | 1         | BULB 12V 21W REPALCEMENT          |
| 262009   | 1         | BULB 12V/55W HVID REPLACEMENT     |
| 262010   | 1         | SWITCH, 1 TERMINAL                |
| 262011   | 1         | RED TOGGLE F. SWITCH 262010       |
| 262019   | 1         | RING TERMINAL 10MM 2X6            |
| 262025   | 1         | RING TERMINAL 10MM2 08            |
| 262031   | 1         | RING TERMINAL 0.75MM 2            |
| 262105   | 1         | PLUG CASE M25X1.5 11-18 GRAY      |
| 285765   | 1         | BOOM LIGHT                        |
| 285766   | 1         | SERVICE WORK LIGHT                |
| 334639   | 1         | COVER F.EC PLASTIC BOX -LOWER     |
| 390923   | 1         | PLASTIC BOX ELECTRICAL            |
| 410664   | 1         | BOLT HEX M5 X 20                  |
| 420604   | 1         | BOLT HEX 8.8 DEL M10X25 FT DIN933 |
| 421024   | 1         | BOLT HEX 8.8 DEL M8X60            |
| 440727   | 1         | SCREW F. PLASTIC 3X10 SS          |
| 460143   | 1         | NUT HEX M8 LOCK A2 DIN985         |
| 460423   | 1         | NUT HEX M10X1.5 LOCK              |
| 460467   | 1         | NUT HEX M5 GALV.                  |
| 983072   | 1         | ELEC. CABLE 3 WIRE X 0.75MM       |
| 983094   | 1         | CABLE 10MM2 X 12"                 |
| 16007600 | 1         | BRACKET F. WORK LIGHT CM+         |
| 26176203 | 1         | FUSE 5.0A QUICK-ACT.              |
| 72020800 | 1         | CABLE 2X10MM2/MALE PLUG L=4500    |
| 72020900 | 1         | CABLE 2X10MM2/FEM. PLUG L=5000    |
| 72023200 | 1         | BOARD FOR FIELD LIGHTS            |



**M0020**



BOOM AND WORKING LIGHT KIT 09  
M0020-HIN, 01:01:16

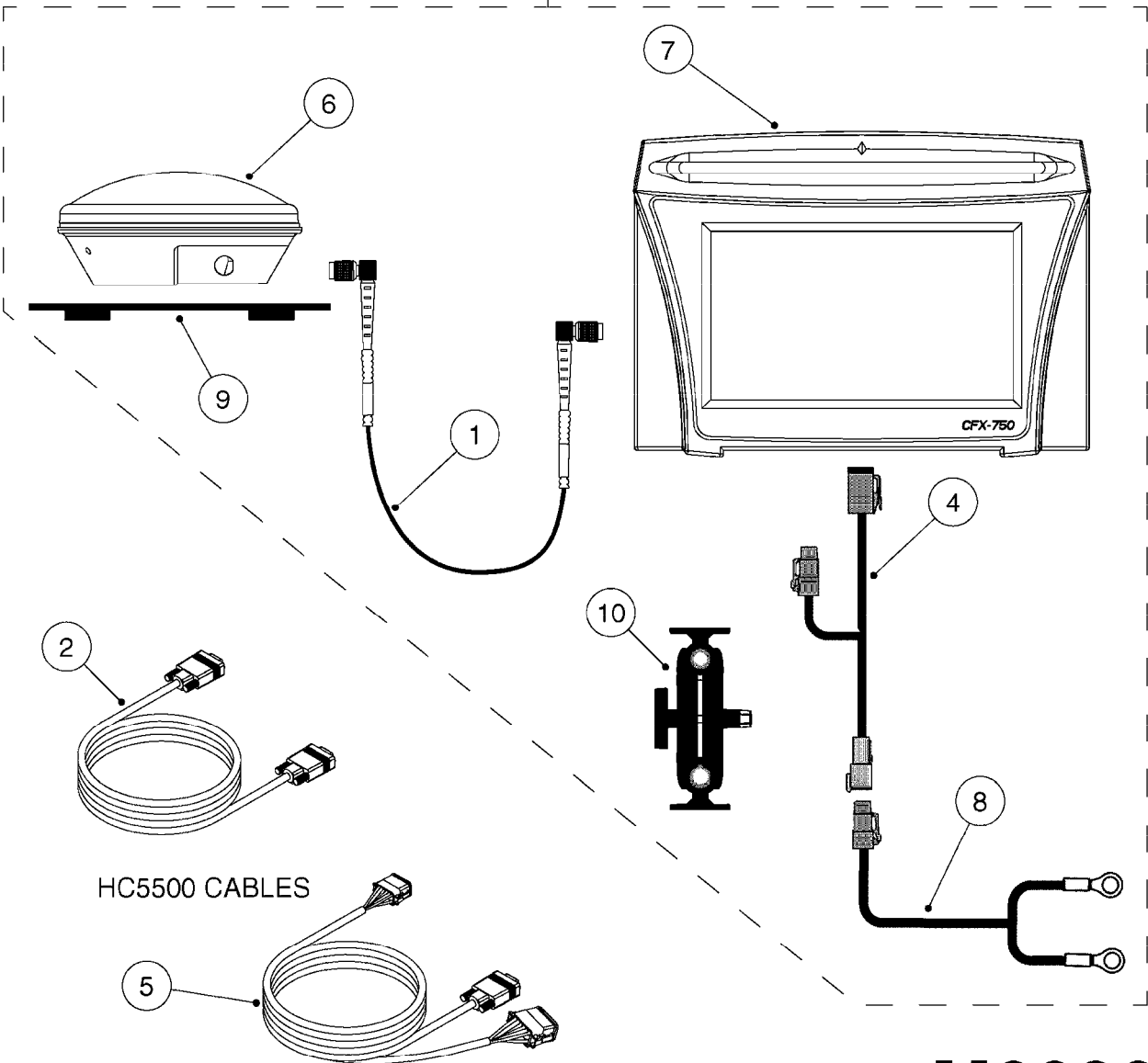
Page 1

Date 16.03.2016 13:55

| Pos. | parts-n° | order qty | description                         |
|------|----------|-----------|-------------------------------------|
| 1    | 261482   | 1         | SPADE TERMINAL 6.3X.8 1.0-2.5m      |
| 2    | 261576   | 1         | PLUG ELEC.2 POLE MALE F.PILOT       |
| 3    | 261577   | 1         | PLUG ELEC.2 POLE FEMALE- PILOT      |
| 4    | 261739   | 1         | BULB 12V 21W REPALCEMENT            |
| 5    | 262009   | 1         | BULB 12V/55W HVID REPLACEMENT       |
| 6    | 262010   | 1         | SWITCH, 1 TERMINAL                  |
| 7    | 262025   | 1         | RING TERMINAL 10MM2 08              |
| 8    | 262031   | 1         | RING TERMINAL 0.75MM 2              |
| 9    | 262105   | 1         | PLUG CASE M25X1.5 11-18 GRAY        |
| 10   | 262107   | 1         | NUT F. BULKHEAD CABLE BLACK         |
| 11   | 280258   | 1         | SCREW F. BOX LID 1/4" L=18          |
| 12   | 285765   | 1         | BOOM LIGHT                          |
| 13   | 285766   | 1         | SERVICE WORK LIGHT                  |
| 14   | 420604   | 1         | BOLT HEX 8.8 DEL M10X25 FT DIN933   |
| 15   | 421046   | 1         | BOLT HEX 8.8 DEL M8X25 FT A2 DIN933 |
| 16   | 460143   | 1         | NUT HEX M8 LOCK A2 DIN985           |
| 17   | 460423   | 1         | NUT HEX M10X1.5 LOCK                |
| 18   | 471126   | 1         | WASHER, M8, Ø16/ 8.4X 1.6, SS       |
| 19   | 480804   | 1         | RIVET Ø4.8x14.5                     |
| 20   | 983072   | 1         | ELEC. CABLE 3 WIRE X 0.75MM         |
| 21   | 983094   | 1         | CABLE 10MM2 X 12"                   |
| 22   | 16129600 | 1         | MOUNT PLATE SWITCH WORKING LHT      |
| 23   | 16142400 | 1         | BRACKET FOR LIGHTS NCM              |
| 24   | 26022800 | 1         | BULKHEAD F. CABLE 15-18 BLACK       |
| 25   | 26024500 | 1         | WORK LIGHT PCB 07                   |
| 26   | 26176203 | 1         | FUSE 5.0A QUICK-ACT.                |
| 27   | 28048200 | 1         | WIRE GROMET RUBBER 4 HOLE           |
| 28   | 28048600 | 1         | FUSE AUTO 15 AMP.                   |
| 29   | 33508700 | 1         | BOX BOTTOM 160X80X40 BLACK 1-HOLE   |
| 30   | 33508800 | 1         | LID 160X80X15 BLK W/SCREWS          |



3 COMPLETE ASSEMBLY



HC5500 CABLES

**M0030**

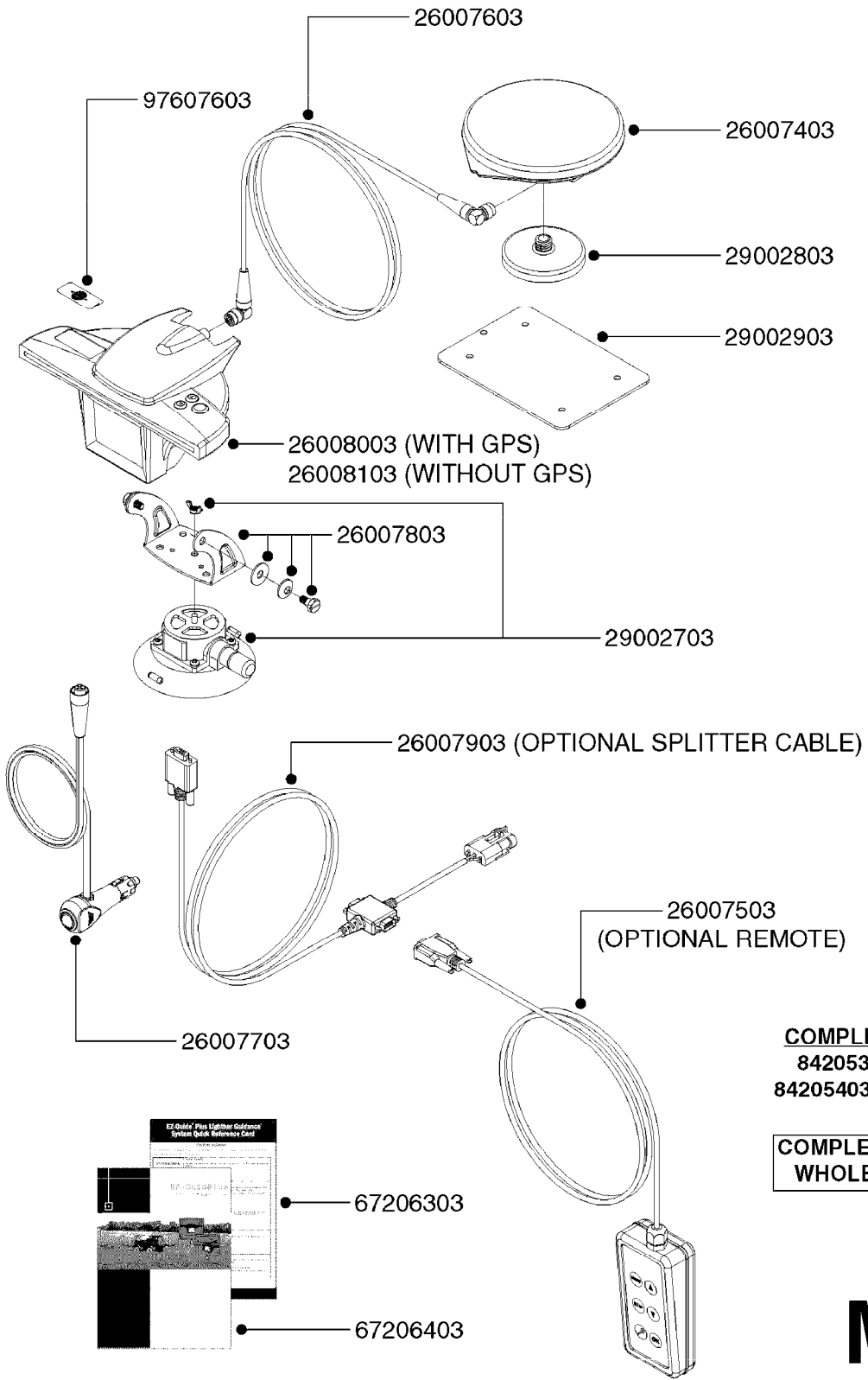




CFX-750 DISPLAY, DGPS  
M0030-HIN, 01:01:16

Page 1  
Date 16.03.2016 13:55

| Pos. | parts-n° | order qty | description                    |
|------|----------|-----------|--------------------------------|
| 1    | 26007603 | 1         | CABLE, ANTENNA, EZGUIDEPLUS    |
| 2    | 26012003 | 1         | NULL MODEM CABLE               |
| 3    | 26021403 | 1         | CFX-750 DISPLAY, DGPS          |
| 4    | 26021603 | 1         | CABLE, POWER BUS, CAN CFX-750  |
| 5    | 26021703 | 1         | CABLE, ASC INTERFACE, CFX-750  |
| 6    | 26021803 | 1         | AG-25 ANTENNA L1/L2 GLN        |
| 7    | 26022103 | 1         | CFX-750 DISPLAY ONLY           |
| 8    | 26022603 | 1         | CFX-750 Basic Power Cable      |
| 9    | 28048203 | 1         | EZ-GUIDE 500 MOUNT F.AG15 ANT. |
| 10   | 28048303 | 1         | EZ-GUIDE 250/500 RAM MNT.1.5"  |



**COMPLETE ASSEMBLY:**  
84205303 (WITH GPS)  
84205403 (WITHOUT GPS)

**COMPLETE ASSEMBLIES  
WHOLEGOODS ITEMS**

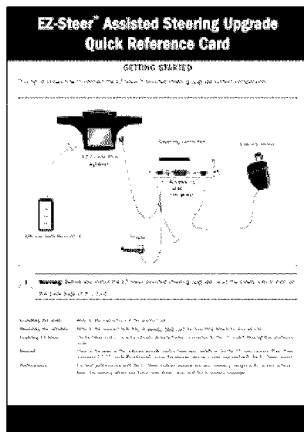
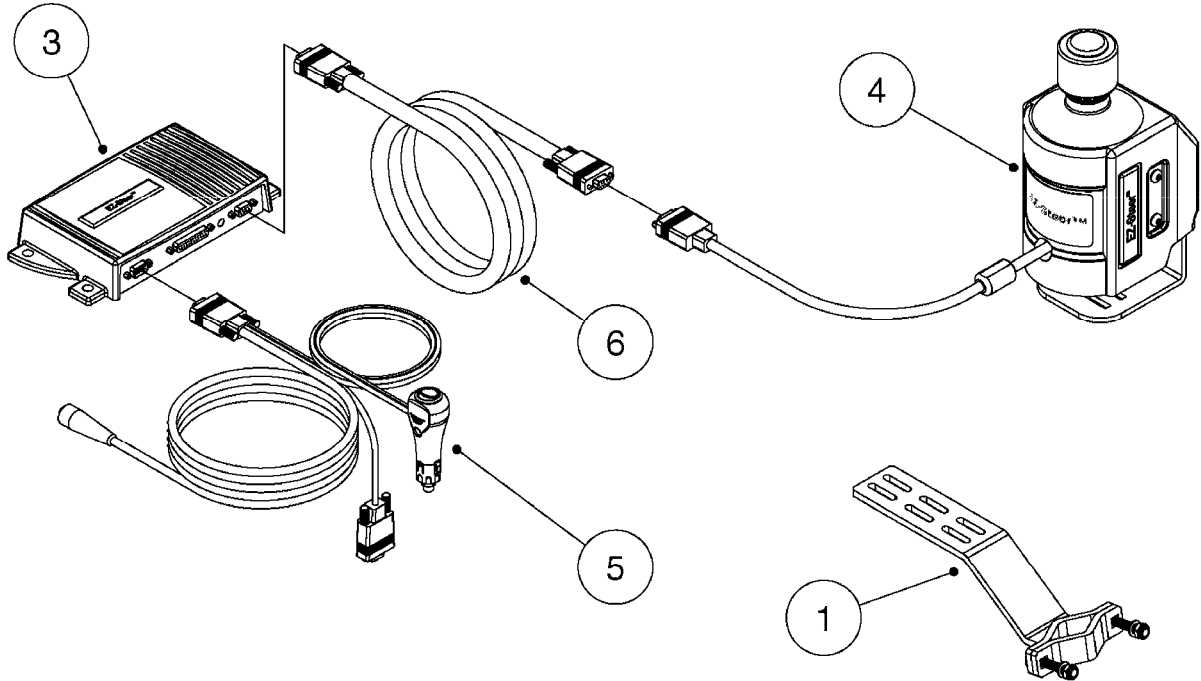
# M0040



EZ-GUIDE PLUS LIGHT BAR  
M0040-HIN, 01:01:16

Page 1  
Date 16.03.2016 13:55

| parts-n° | order qty | description                    |
|----------|-----------|--------------------------------|
| 26007403 | 1         | ANTENNA,HURRICANE F. EZGUIDEPL |
| 26007503 | 1         | REMOTE KEYPAD EZ-GUIDE PLUS    |
| 26007603 | 1         | CABLE, ANTENNA, EZGUIDEPLUS    |
| 26007703 | 1         | CABLE, POWER F. EZGUIDEPLUS    |
| 26007803 | 1         | BRACKET KIT F. EZGUIDEPLUS     |
| 26007903 | 1         | EZ-Guide 500 External Interfac |
| 26008003 | 1         | LIGHT BAR ASSM WITH GPS        |
| 26008103 | 1         | LIGHT BAR ASSM WITHOUT GPS     |
| 29002703 | 1         | VACUUM CUP 4 1/2" 1420I        |
| 29002803 | 1         | MOUNT, MAG F. ANTENNA          |
| 29002903 | 1         | PLATE, F. ANTENNA MOUNT        |
| 67206303 | 1         | QUICK REFERENCE CARD EZ-GUIDE+ |
| 67206403 | 1         | MANUAL EZ GUIDE PLUS           |
| 84205303 | 1         | EZ GUIDE PLUS W GPS, NO LABLE  |
| 84205403 | 1         | EZ GUIDE PLUS W/O GPS,NO LABLE |
| 97607603 | 1         | DECAL COMPANY 45MM X 20MM      |



COMPLETE ASSEMBLY 8

COMPLETE ASSEMBLIES  
WHOLEGOODS ITEMS

**M0050**

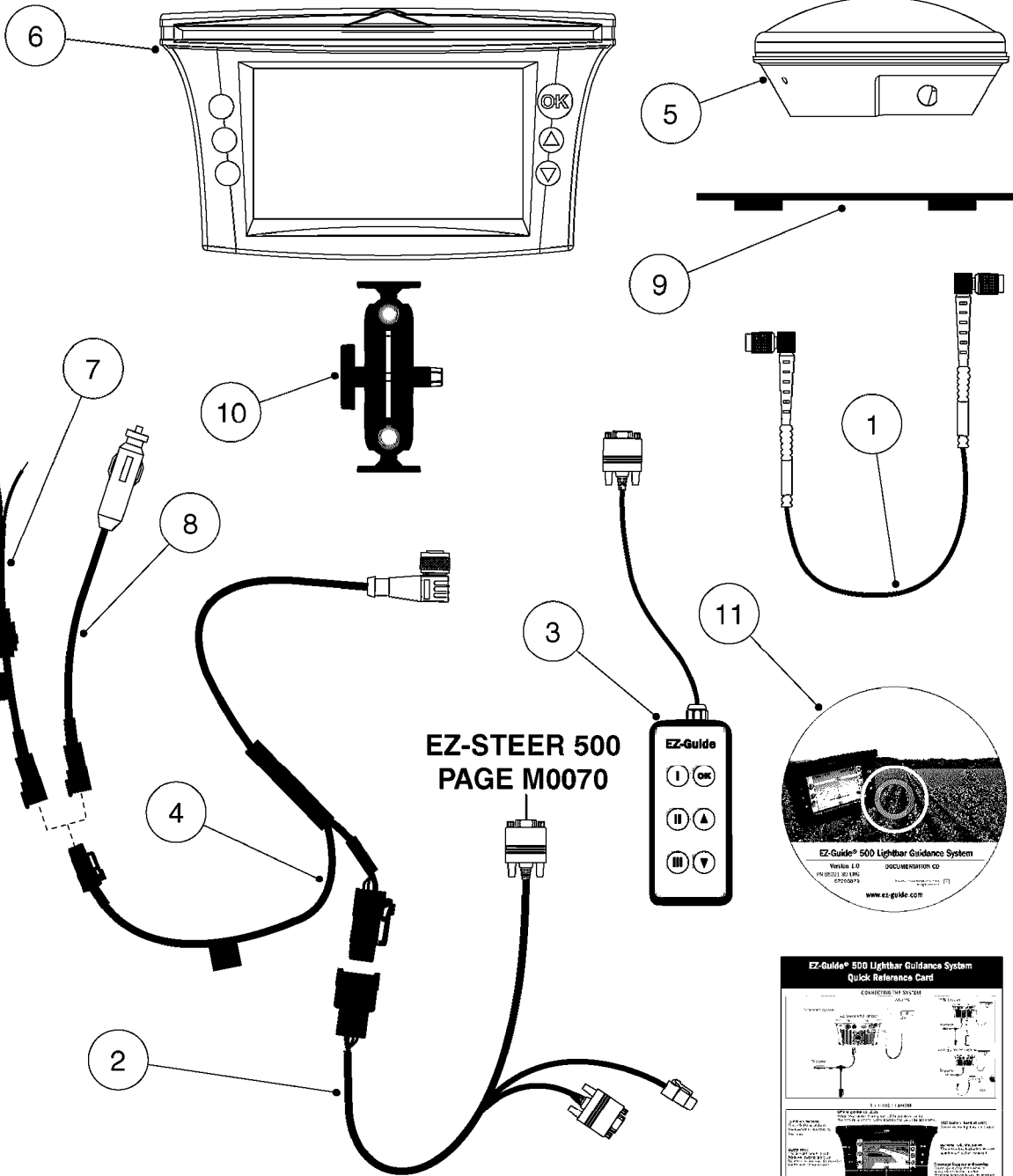


EZ-STEER STEERING SYSTEM  
M0050-HIN, 01:01:16

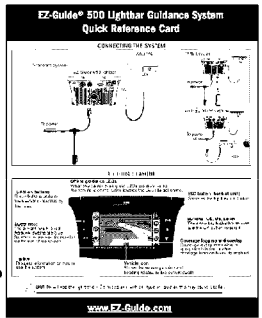
Page 1

Date 16.03.2016 13:55

| Pos. | parts-n° | order qty | description                     |
|------|----------|-----------|---------------------------------|
| 1    | 26008803 | 1         | EZ-STR.BKT-JD 4000,8000 4WD     |
| 1    | 26008903 | 1         | EZ-STR.BKT-JD80002WD,7X20,9000  |
| 1    | 26009003 | 1         | EZ-STR.BKT-CASE IH 7100/7200    |
| 1    | 26009103 | 1         | EZ-STR.BKT-JD COMBINE&ROGATOR   |
| 1    | 26009203 | 1         | EZ-STR.BKT-JD 6000,7000         |
| 1    | 26009303 | 1         | EZ-STR.BKT-BUHLER,NH VERSATILE  |
| 1    | 26009403 | 1         | EZ-STR.BKT-STEIGER,NH VERSATIL  |
| 1    | 26009503 | 1         | EZ-STR.BKT-INTERNATIONAL TRUCK  |
| 1    | 26009603 | 1         | EZ-STR.BKT-AGCHEM TERRAGATOR    |
| 1    | 26009703 | 1         | EZ-STR.BKT-CASE IH MXM          |
| 1    | 28036903 | 1         | EZ-STR.BKT-CASE IH COMB.1600    |
| 1    | 28037003 | 1         | EZ-STR.BKT-JD 89XX,71XX,72XX    |
| 1    | 28037103 | 1         | EZ-STR.BKT-JD 8000/9000         |
| 1    | 28037203 | 1         | EZ-STR.T2 TERRAIN COMP.UPDATE   |
| 1    | 28037303 | 1         | EZ-STR.BKT-SPR.COUPPE 3000/4000 |
| 1    | 28038203 | 1         | EZ-STR.BKT-FENDT 924            |
| 1    | 28046503 | 1         | EZ-STR.BKT-AGCO DT/RT,MF64/74   |
| 1    | 28047803 | 1         | EZ-STR.BKT.-NH TVT,CASE IH CVX  |
| 1    | 28050203 | 1         | EZ-STR.BKT-CASE JX(U),NH TL(A)  |
| 1    | 28055203 | 1         | EZ-STR.BKT-CASE MXM/N.HOLLAND   |
| 1    | 28055903 | 1         | EZ-STR.BKT-WILMAR EAGLE         |
| 2    | 26009803 | 1         | EZ-STEER FOAM WHEELS 4-PK       |
| 3    | 26009903 | 1         | EZ-STEER CONTROLLER             |
| 4    | 26010003 | 1         | EZ-STEER MOTOR KIT              |
| 5    | 26010103 | 1         | EZ-STEER POWER CABLE            |
| 6    | 26010203 | 1         | EZ-STEER MOTOR CABLE 3M         |
| 7    | 67210803 | 1         | QUICK REFERENCE CARD EZ-STEER   |
| 8    | 84205503 | 1         | EZ-STEER SYSTEM COMPLETE        |



EZ-STEER 500  
PAGE M0070



COMPLETE ASSEMBLY 13

COMPLETE ASSEMBLIES  
WHOLEGOODS ITEMS

**M0060**



EZ-GUIDE 500 LIGHTBAR  
M0060-HIN, 01:01:16

Page 1

Date 16.03.2016 13:55

| Pos. | parts-n° | order qty | description                    |
|------|----------|-----------|--------------------------------|
| 1    | 26007603 | 1         | CABLE, ANTENNA, EZGUIDEPLUS    |
| 2    | 26012203 | 1         | EZ-STEER/GUIDE 500 ADAPT.CABLE |
| 3    | 26015303 | 1         | REMOTE KEYPAD EZGUIDE 500/250  |
| 3    | 28048403 | 1         | DECAL - REMOTE OVERLAY 500/250 |
| 4    | 26015403 | 1         | EZ-GUIDE 500 CABLE POWER/CAN90 |
| 5    | 26015503 | 1         | EZ-GUIDE 500 Z PLUS ANTENNA    |
| 5    | 26015603 | 1         | ANTENNA AG15 L1,EZ GDE 500/250 |
| 6    | 26015703 | 1         | EZ-GUIDE 500 DGPS DISPLAY      |
| 6    | 26015803 | 1         | EZ-GUIDE 500 OMNISTAR DISPLAY  |
| 7    | 26016103 | 1         | EZ-GUIDE 500 CABLE UNTERM.FUSE |
| 8    | 26016203 | 1         | EZ-GUIDE 500 POWER CONN.CABLE  |
| 9    | 28048203 | 1         | EZ-GUIDE 500 MOUNT F.AG15 ANT. |
| 10   | 28048303 | 1         | EZ-GUIDE 250/500 RAM MNT.1.5"  |
| 11   | 29003803 | 1         | EZ-GUIDE 500 CD,GET.STARTED V1 |
| 12   | 67215403 | 1         | EZ-GUIDE 500 QUICK REF.CARD V1 |
| 13   | 84208303 | 1         | EZ GUIDE 500 LIGHTBAR (DGPS)   |
| 13   | 84208403 | 1         | EZ GUIDE 500 LIGHTBAR (XP/HP)  |
| 13   | 84208503 | 1         | EZ GUIDE 500 LIGHTBAR (RTK)    |





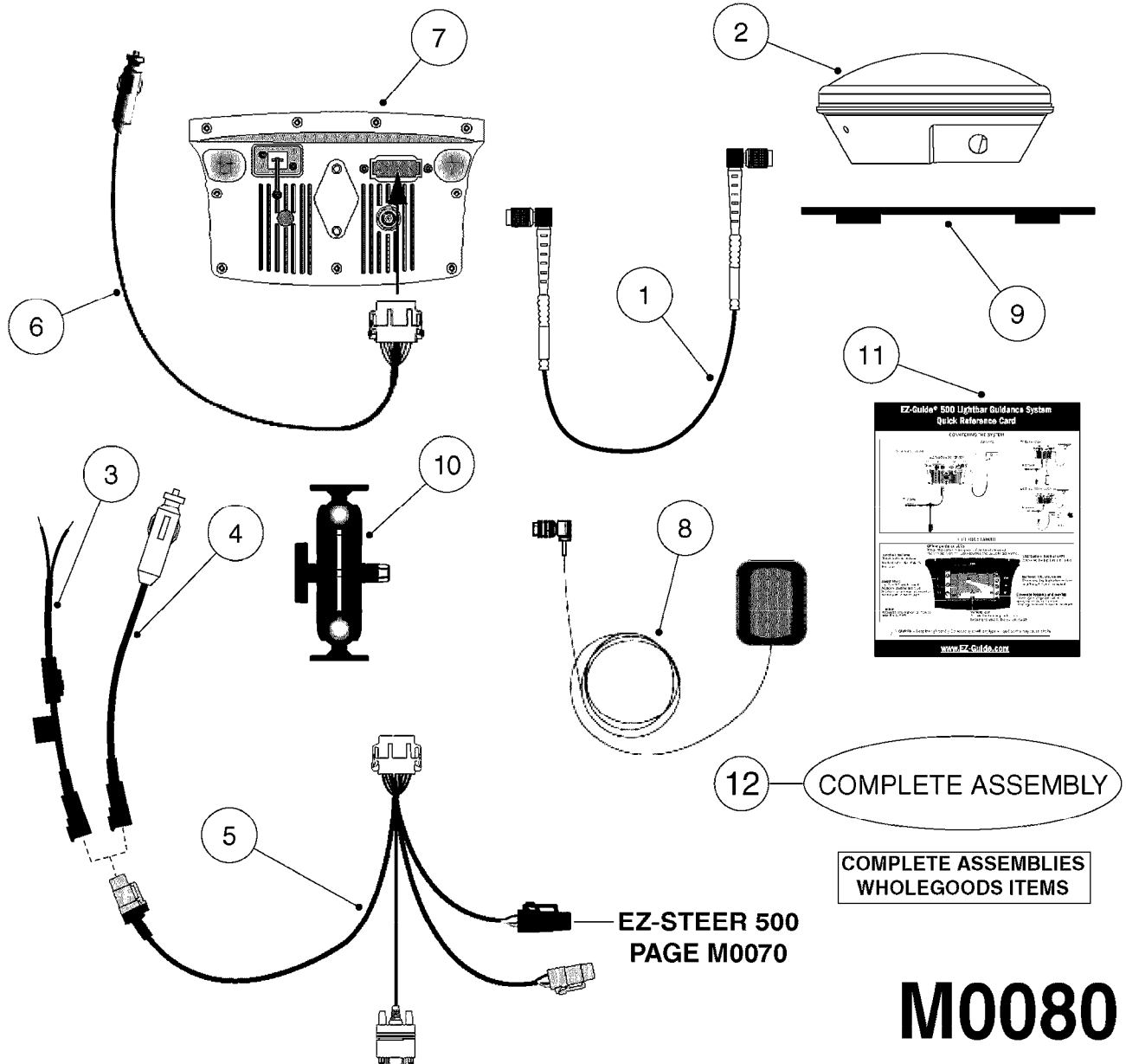


EZ-STEER 500 STEERING SYSTEM  
M0070-HIN, 01:01:16

Page 1

Date 16.03.2016 13:55

| Pos. | parts-n° | order qty | description                     |
|------|----------|-----------|---------------------------------|
| 1    | 26008803 | 1         | EZ-STR.BKT-JD 4000,8000 4WD     |
| 1    | 26008903 | 1         | EZ-STR.BKT-JD80002WD,7X20,9000  |
| 1    | 26009003 | 1         | EZ-STR.BKT-CASE IH 7100/7200    |
| 1    | 26009103 | 1         | EZ-STR.BKT-JD COMBINE&ROGATOR   |
| 1    | 26009203 | 1         | EZ-STR.BKT-JD 6000,7000         |
| 1    | 26009303 | 1         | EZ-STR.BKT-BUHLER,NH VERSATILE  |
| 1    | 26009403 | 1         | EZ-STR.BKT-STEIGER,NH VERSATIL  |
| 1    | 26009503 | 1         | EZ-STR.BKT-INTERNATIONAL TRUCK  |
| 1    | 26009603 | 1         | EZ-STR.BKT-AGCHEM TERRAGATOR    |
| 1    | 26009703 | 1         | EZ-STR.BKT-CASE IH MXM          |
| 1    | 28036903 | 1         | EZ-STR.BKT-CASE IH COMB.1600    |
| 1    | 28037003 | 1         | EZ-STR.BKT-JD 89XX,71XX,72XX    |
| 1    | 28037103 | 1         | EZ-STR.BKT-JD 8000/9000         |
| 1    | 28037203 | 1         | EZ-STR.T2 TERRAIN COMP.UPDATE   |
| 1    | 28037303 | 1         | EZ-STR.BKT-SPR.COUPPE 3000/4000 |
| 1    | 28038203 | 1         | EZ-STR.BKT-FENDT 924            |
| 1    | 28046503 | 1         | EZ-STR.BKT-AGCO DT/RT,MF64/74   |
| 1    | 28047803 | 1         | EZ-STR.BKT.-NH TVT,CASE IH CVX  |
| 1    | 28050203 | 1         | EZ-STR.BKT-CASE JX(U),NH TL(A)  |
| 1    | 28055203 | 1         | EZ-STR.BKT-CASE MXM/N.HOLLAND   |
| 1    | 28055903 | 1         | EZ-STR.BKT-WILMAR EAGLE         |
| 2    | 26009803 | 1         | EZ-STEER FOAM WHEELS 4-PK       |
| 3    | 26009903 | 1         | EZ-STEER CONTROLLER             |
| 4    | 26010003 | 1         | EZ-STEER MOTOR KIT              |
| 5    | 26010203 | 1         | EZ-STEER MOTOR CABLE 3M         |
| 6    | 26012203 | 1         | EZ-STEER/GUIDE 500 ADAPT.CABLE  |
| 7    | 26012503 | 1         | EZ-STR.FOOT SWITCH & ACC.CABLE  |
| 8    | 67214803 | 1         | EZ-STR.REF.GUIDE V3 SPARE       |
| 8    | 67214903 | 1         | EZ-STEER QUICK REF.CARD V3      |
| 8    | 67215203 | 1         | EZ-STEER 500 QUICK REF.CARD V1  |
| 8    | 67215303 | 1         | MANUAL EZ-STEER 500 REF V1      |
| 9    | 84208603 | 1         | EZ-STEER 500/250 SYS. COMPLETE  |



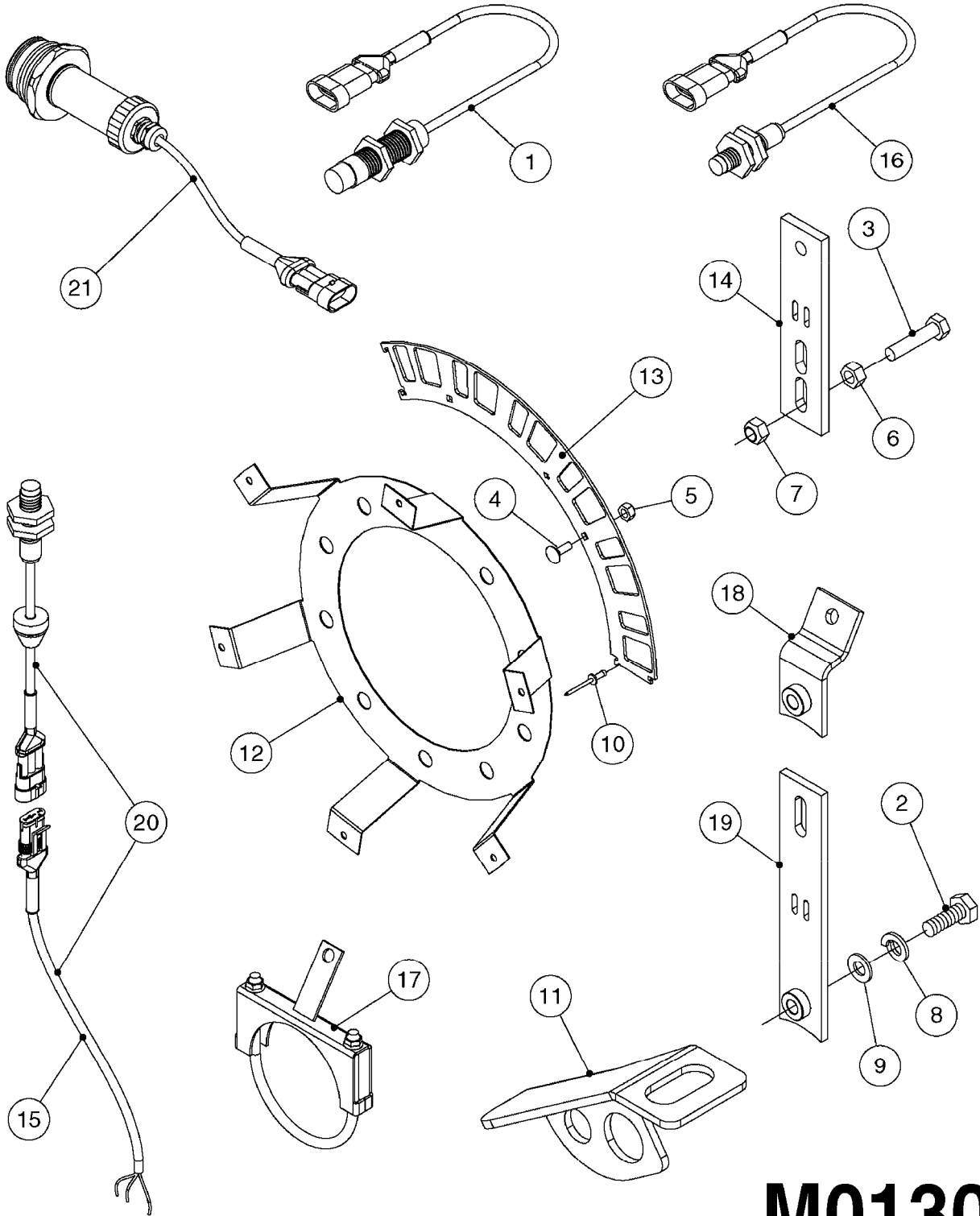


EZ-GUIDE 250 LIGHTBAR  
M0080-HIN, 01:01:16

Page 1

Date 16.03.2016 13:55

| Pos. | parts-n° | order qty | description                    |
|------|----------|-----------|--------------------------------|
| 1    | 26007603 | 1         | CABLE, ANTENNA, EZGUIDEPLUS    |
| 2    | 26015603 | 1         | ANTENNA AG15 L1,EZ GDE 500/250 |
| 3    | 26016103 | 1         | EZ-GUIDE 500 CABLE UNTERM.FUSE |
| 4    | 26016203 | 1         | EZ-GUIDE 500 POWER CONN.CABLE  |
| 5    | 26017303 | 1         | EZ-GUIDE 250 ALL PORT CABLE    |
| 6    | 26017703 | 1         | EZ-GUIDE 250 POWER CABLE       |
| 7    | 26017803 | 1         | EZ-GUIDE 250 LIGHTBAR DISPLAY  |
| 8    | 26017903 | 1         | EZ-GUIDE 250 PATCH ANTENNA     |
| 9    | 28048203 | 1         | EZ-GUIDE 500 MOUNT F.AG15 ANT. |
| 10   | 28048303 | 1         | EZ-GUIDE 250/500 RAM MNT.1.5"  |
| 11   | 67217403 | 1         | EZ-GUIDE 250 QUICK REF.CARD    |
| 12   | 84210603 | 1         | EZ GUIDE 250 LIGHTBAR          |



**M0130**



COMMON SENSORS AND BRACKETS  
M0130-HIN, 01:01:16

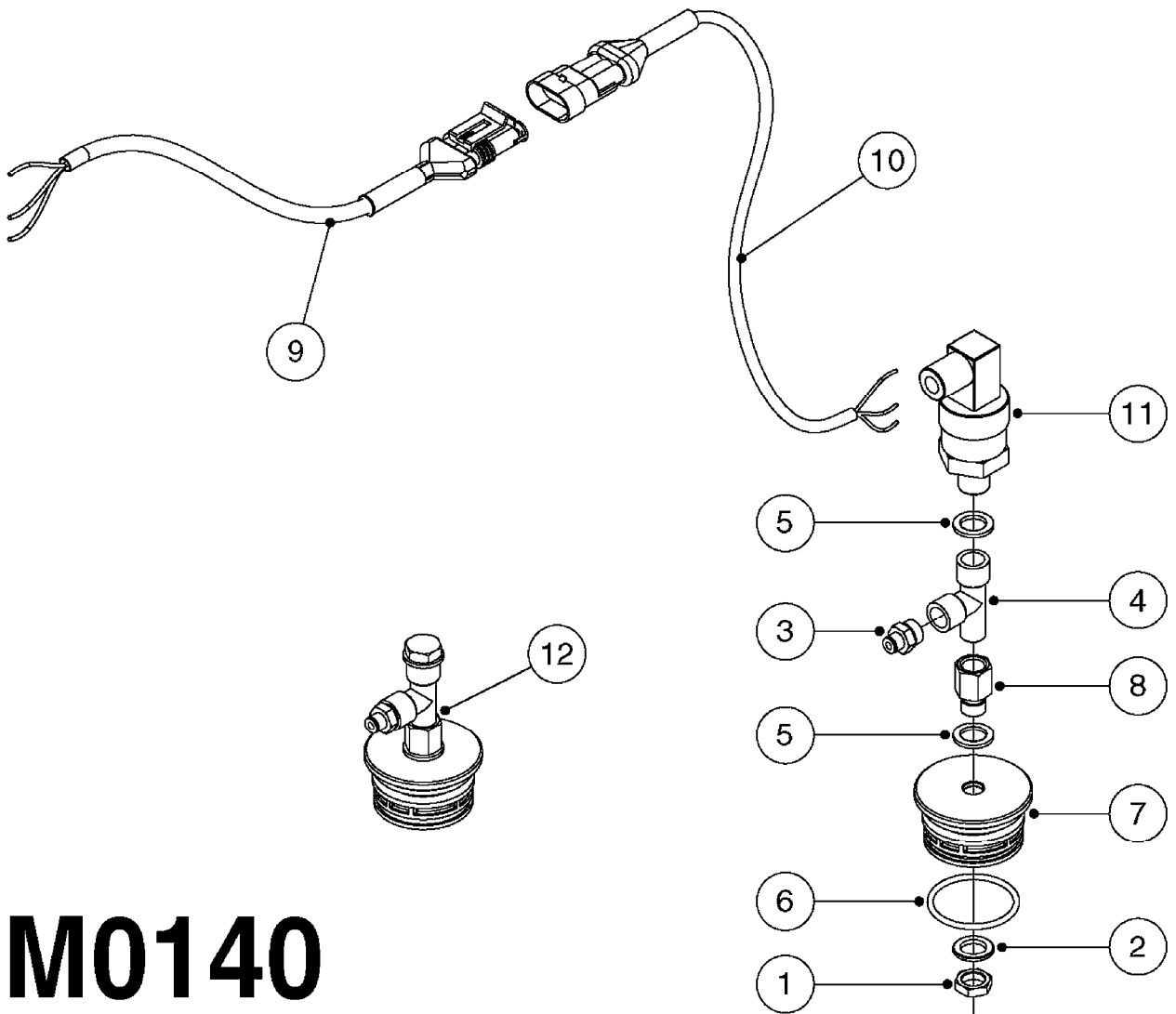
Page 1

Date 16.03.2016 13:55

| Pos. | parts-n° | order qty | description                    |
|------|----------|-----------|--------------------------------|
| 1    | 285855   | 1         | SENSOR INDUCTIVE M18 W/WIRE    |
| 2    | 430286   | 1         | BOLT HEX 8.8 DEL M12X30 FT     |
| 3    | 430870   | 1         | BOLT HEX 8.8 DEL M12X55 FT     |
| 4    | 440695   | 1         | BOLT CARRIAGE M8X25            |
| 5    | 460143   | 1         | NUT HEX M8 LOCK A2 DIN985      |
| 6    | 460386   | 1         | NUT HEX M12X1.75               |
| 7    | 460703   | 1         | NUT HEX M12X1.75 LOCK DIN985   |
| 8    | 470466   | 1         | WASHER D21.1/D12.2X2.5 LOCK    |
| 9    | 471127   | 1         | WASHER, M12, Ø24/13.0X 2.5, SS |
| 10   | 480804   | 1         | RIVET Ø4.8x14.5                |
| 11   | 16020300 | 1         | BRACKET FOR SPEED SENSOR       |
| 12   | 16094703 | 1         | WHEEL SENSOR MT BKT            |
| 13   | 16138203 | 1         | SPEED SENSOR RING NCM 2009 1/3 |
| 14   | 16138403 | 1         | PLATE F. SPEED SENSOR          |
| 15   | 26006100 | 1         | CABLE L = 5.00M, AMP, MALE, 3P |
| 16   | 28047500 | 1         | SPEED SENSOR HM                |
| 17   | 61000603 | 1         | SPEED SNS MNT CLAMP F/DLS 4.5" |
| 18   | 61010703 | 1         | SPEED SENSOR BKT NCM NON-S OLD |
| 19   | 61015803 | 1         | SPEED SENSOR BKT NCM 2010      |
| 20   | 72050100 | 1         | TWIN RPM SENSOR HN             |
| 21   | 72534000 | 1         | TANK LEVEL ELEC SENSOR KIT 9M  |



PRESSURE SENSOR - AMP  
M0140-HIN, 01:01:16



# M0140

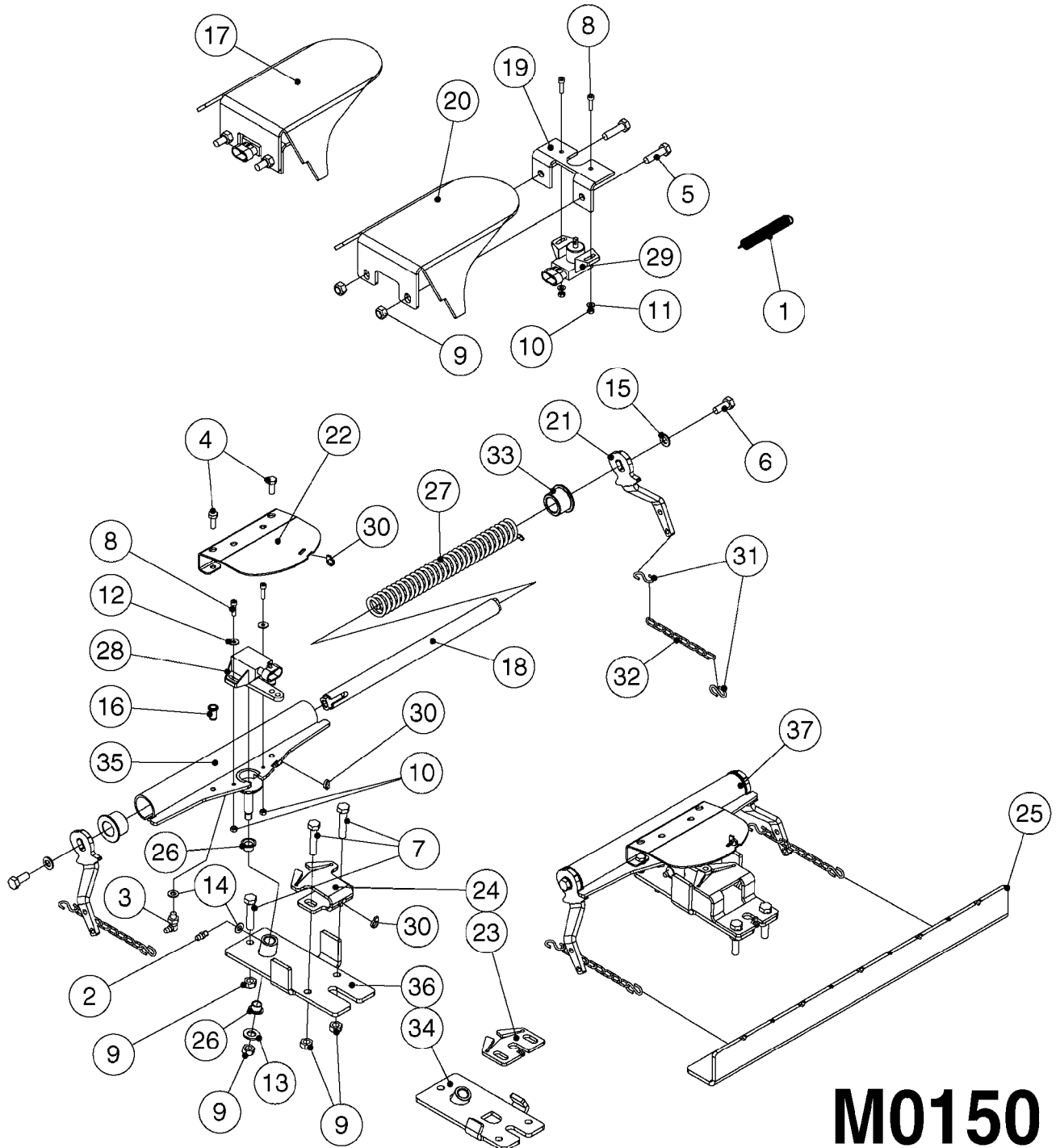


PRESSURE SENSOR - AMP  
M0140-HIN, 01:01:16

Page 1

Date 16.03.2016 13:55

| Pos. | parts-n° | order qty | description                      |
|------|----------|-----------|----------------------------------|
| 1    | 141341   | 1         | NUT 1/4' BSP                     |
| 2    | 145631   | 1         | WASHER D21.5/D13.5X2.5 BRASS     |
| 3    | 232230   | 1         | QUICK COUPLER 1/4"BSP X 4 MM     |
| 4    | 232285   | 1         | TEE 1/4"MALE RUN X 2 1/4"FEMAL   |
| 5    | 241404   | 1         | DOWTY SEAL 1/4"                  |
| 6    | 242353   | 1         | O-RING D44.2X3.0 VITON F.S-67    |
| 7    | 391135   | 1         | FITT. S67 PLUG W/13.2Ø HOLE      |
| 8    | 14076900 | 1         | NIPPLE 1/4" I-1/4" U L=28.5 SS   |
| 9    | 26007000 | 1         | CABLE L = 0.20M, AMP, MALE, 3P   |
| 10   | 26007300 | 1         | CABLE L = 1.00M, AMP, FEMALE, 3P |
| 11   | 26026200 | 1         | PRESSURE TRANS. 0-10BAR 4-20mA   |
| 12   | 72553900 | 1         | S67 W/T-PIECE F. PRES. TRANS.    |



**M0150**





ANGLE SENSOR NCM  
M0150-HIN, 01:01:16

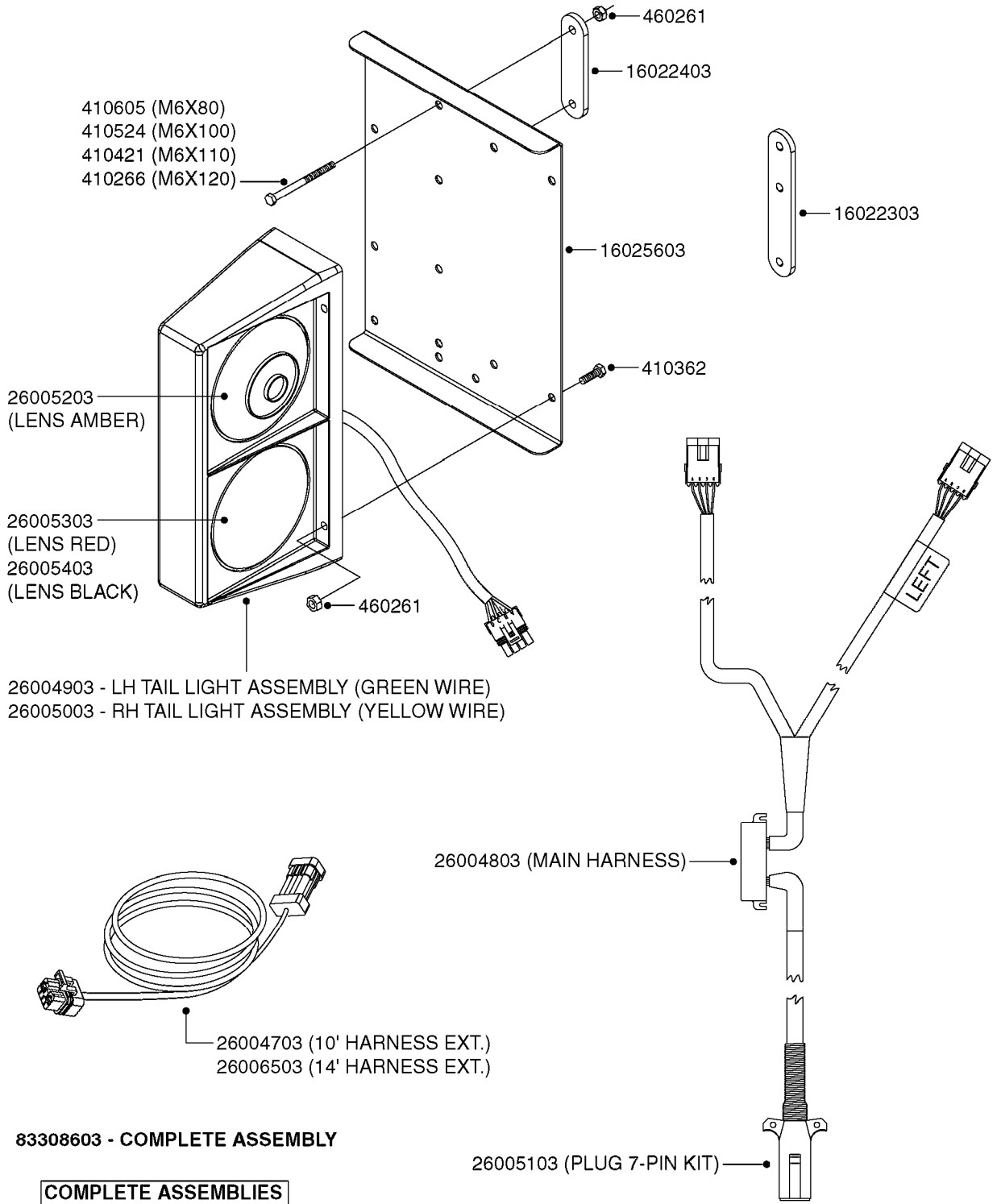
Page 1

Date 16.03.2016 13:55

| Pos. | parts-n° | order qty | description                                                       |
|------|----------|-----------|-------------------------------------------------------------------|
| 1    | 220947   | 1         | SPRING D13.0/1,2 L=90 RST                                         |
| 2    | 283699   | 1         | GREASE NIPPLE M6X1                                                |
| 3    | 283772   | 1         | GREASE NIPPLE H3 M6 X 4 90°                                       |
| 4    | 410185   | 1         | BOLT HEX 8.8 DEL M6X16 A2                                         |
| 5    | 420567   | 1         | BOLT HEX 8.8 DEL M8X30 FT                                         |
| 6    | 420582   | 1         | BOLT HEX 8.8 DEL M8X20 FT A2                                      |
| 7    | 420744   | 1         | BOLT HEX 8.8 DEL M8X40                                            |
| 8    | 450902   | 1         | BOLT ALLEN HEAD M4 X 16MM                                         |
| 9    | 460143   | 1         | NUT HEX M8 LOCK A2 DIN985                                         |
| 10   | 461145   | 1         | NUT HEX M4 LOCK                                                   |
| 11   | 471037   | 1         | SCREW A 4,3 DIN 125                                               |
| 12   | 471087   | 1         | WASHER D12.0/4.3X1.0                                              |
| 13   | 471122   | 1         | WASHER, M10, Ø20/10.5X 2.0, SS                                    |
| 14   | 471125   | 1         | WASHER, M6, Ø12/ 6.4X 1.6, SS                                     |
| 15   | 471126   | 1         | WASHER, M8, Ø16/ 8.4X 1.6, SS                                     |
| 16   | 480811   | 1         | BLIND FASTENER M6 STAINLESS                                       |
| 17   | 741841   | 1         | ANGLE SENSOR AND BRACKET REAR                                     |
| 18   | 14052100 | 1         | AXLE D19 L=294/2XM8 STAINLESS                                     |
| 19   | 16125700 | 1         | BRACKET FOR ANGLE SENSOR                                          |
| 20   | 16142200 | 1         | GUARD PLATE FOR SENSOR                                            |
| 21   | 16173200 | 1         | PLATE 6.0X134X42/2XD6/2XBENDS                                     |
| 22   | 16173400 | 1         | PLATE 2.0X145.3X130/3XBENDS                                       |
| 23   | 16173600 | 1         | PLATE 4.0X70X56<br>NCM 4400                                       |
| 24   | 16174100 | 1         | PLATE 4.0X120X70/2XBENDS<br>NCM 6600                              |
| 25   | 16174300 | 1         | BKT F. TRACTOR NCM STEE-UPDATE                                    |
| 26   | 21089300 | 1         | BUSHING D12/10 L=9                                                |
| 27   | 22096500 | 1         | TORSION SPRING D24/4.0 L=242                                      |
| 28   | 26005700 | 1         | ANGLE SENSOR 70° 0.5-4.5 VDC                                      |
| 29   | 26005800 | 1         | ANGULAR SENSOR 120° 0.5-4.5 VDC                                   |
| 30   | 28024103 | 1         | TIE STRAP L=8" x W=3/16"                                          |
| 31   | 28045800 | 1         | S-HOOK 3MM STAINLESS STEEL                                        |
| 32   | 28058400 | 1         | CHAIN SS 8x16x2.0 L=600                                           |
| 33   | 39124400 | 1         | BUSHING D28.5/19.1 L=21                                           |
| 34   | 61019200 | 1         | FRONT SENSOR BRACKET NCM4400                                      |
| 35   | 61019300 | 1         | FRONT SENSOR MT.THREADED HOLES                                    |
| 36   | 61019500 | 1         | FRONT SENSOR BRACKET NCM6600                                      |
| 37   | 72564800 | 1         | STEERING SENSOR NCM4400<br>FRONT STEERING SENSOR COMPLETE NCM4400 |
| 37   | 72565000 | 1         | STEERING SENSOR NCM6600<br>FRONT STEERING SENSOR COMPLETE NCM6600 |



TRAFFIC LIGHT KIT  
M0160-HIN, 01:01:16



83308603 - COMPLETE ASSEMBLY

COMPLETE ASSEMBLIES  
WHOLEGOODS ITEMS

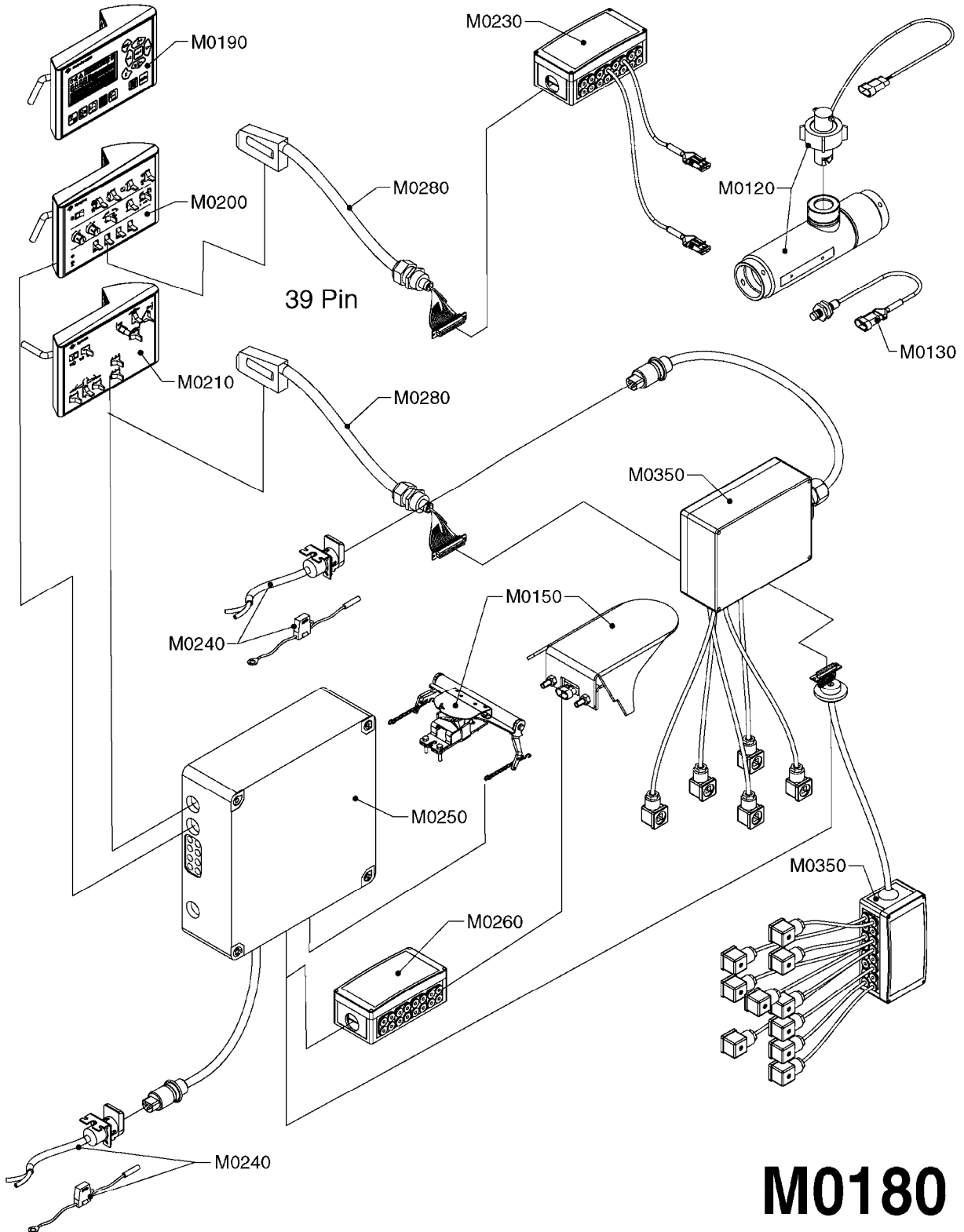
# M0160



TRAFFIC LIGHT KIT  
M0160-HIN, 01:01:16

Page 1  
Date 16.03.2016 13:55

| parts-n° | order qty | description                  |
|----------|-----------|------------------------------|
| 410266   | 1         | BOLT HEX 8.8 DEL M6X120      |
| 410362   | 1         | BOLT HEX 8.8 SS M6X20 FT     |
| 410421   | 1         | BOLT HEX M6X110 DIN931-A2 SS |
| 410524   | 1         | BOLT HEX 8.8 DEL M6X100      |
| 410605   | 1         | BOLT HEX 8.8 DEL M6X80       |
| 460261   | 1         | NUT HEX M6X1 LOCK A2 DIN985  |
| 16022303 | 1         | BRACKET 100MM TUBE           |
| 16022403 | 1         | BRACKET 60MM TUBE            |
| 16025603 | 1         | BRACKET TAIL LIGHT DUAL LAMP |
| 26004703 | 1         | HARNESS 13' EXT 4 WIRE WP    |
| 26004803 | 1         | HARNESS MAIN TAIL LIGHT      |
| 26004903 | 1         | TAIL LIGHT GREEN WIRE LH     |
| 26005003 | 1         | TAIL LIGHT YELLOW WIRE RH    |
| 26005103 | 1         | PLUG 7-PIN AG TAIL LIGHT     |
| 26005203 | 1         | LENS AMBER BEFORE 2009       |
| 26005303 | 1         | LENS RED BEFORE 2009         |
| 26005403 | 1         | LENS BLACK BEFORE 2009       |
| 26006503 | 1         | HARNESS 14' EXT 4 WIRE WP    |
| 83308603 | 1         | TRAFFIC LIGHT KIT            |



**M0180**

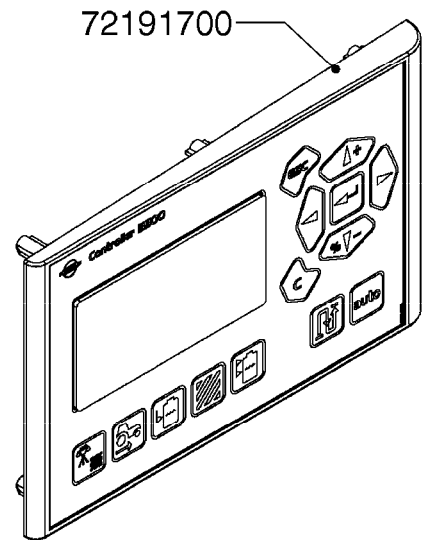
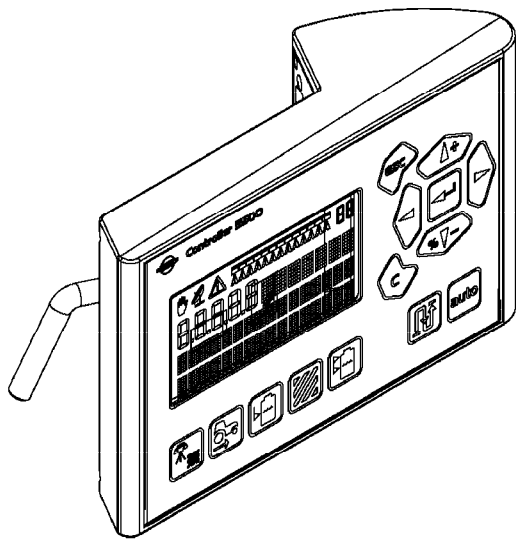


SYSTEM OVERVIEW HC5500  
M0180-HIN, 01:01:16

Page 1

Date 16.03.2016 13:55

| parts-n° | order<br>qty | description |
|----------|--------------|-------------|
|          |              |             |



|          |            |
|----------|------------|
| HC 5500  | CONTROLLER |
| NEW      | 72155600   |
| EXCHANGE | 72174000   |

**M0190**

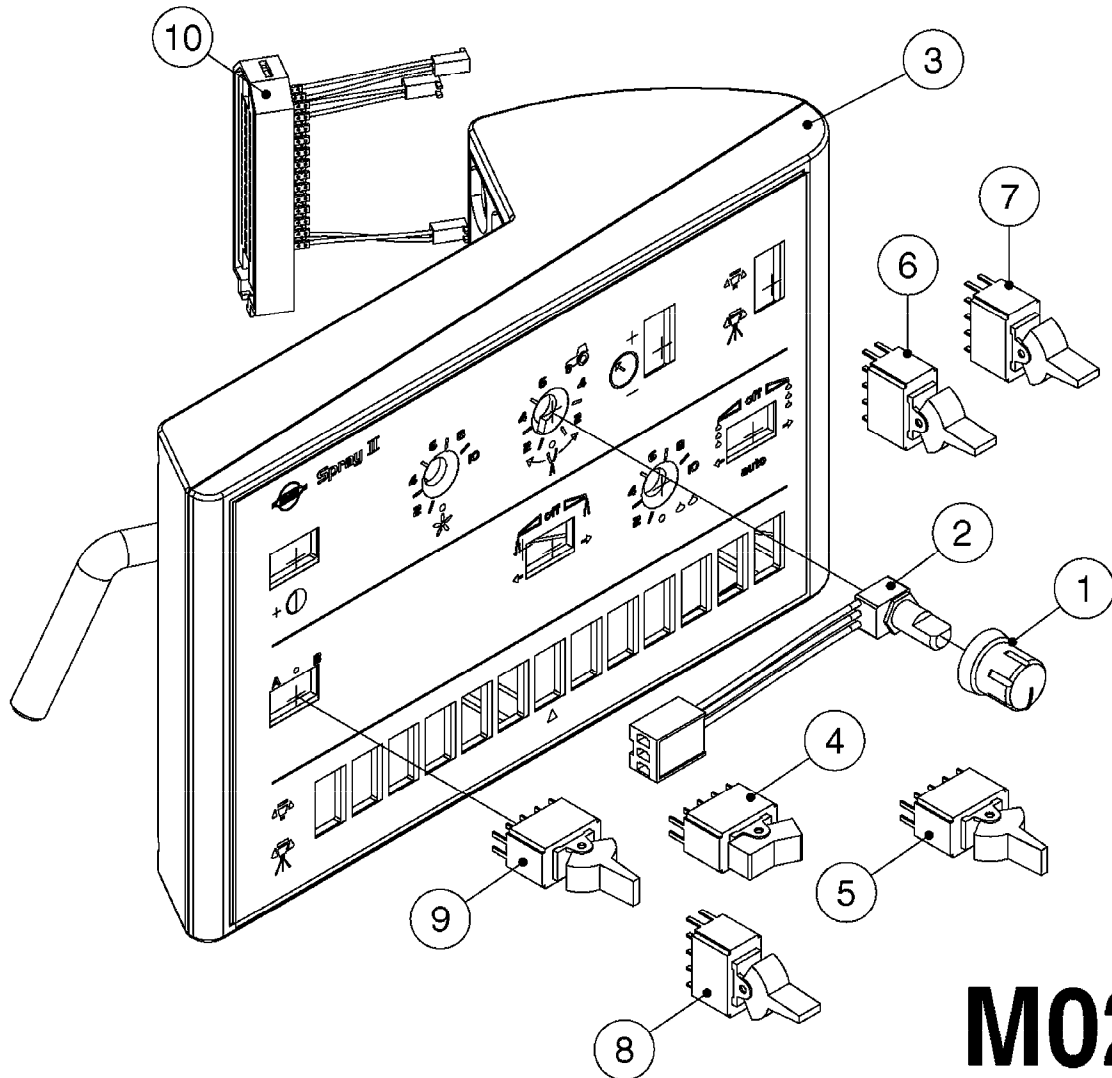


DISPLAY HC 5500  
M0190-HIN, 01:01:16

Page 1

Date 16.03.2016 13:55

| parts-n° | order qty | description                   |
|----------|-----------|-------------------------------|
| 72155600 | 1         | HC 5500 DISPLAY UNIT          |
| 72174000 | 1         | DISPLAY HC5500 REFURBISHED    |
| 72191700 | 1         | HC5500 DISPLAY FRONT COMPLETE |



**M0200**



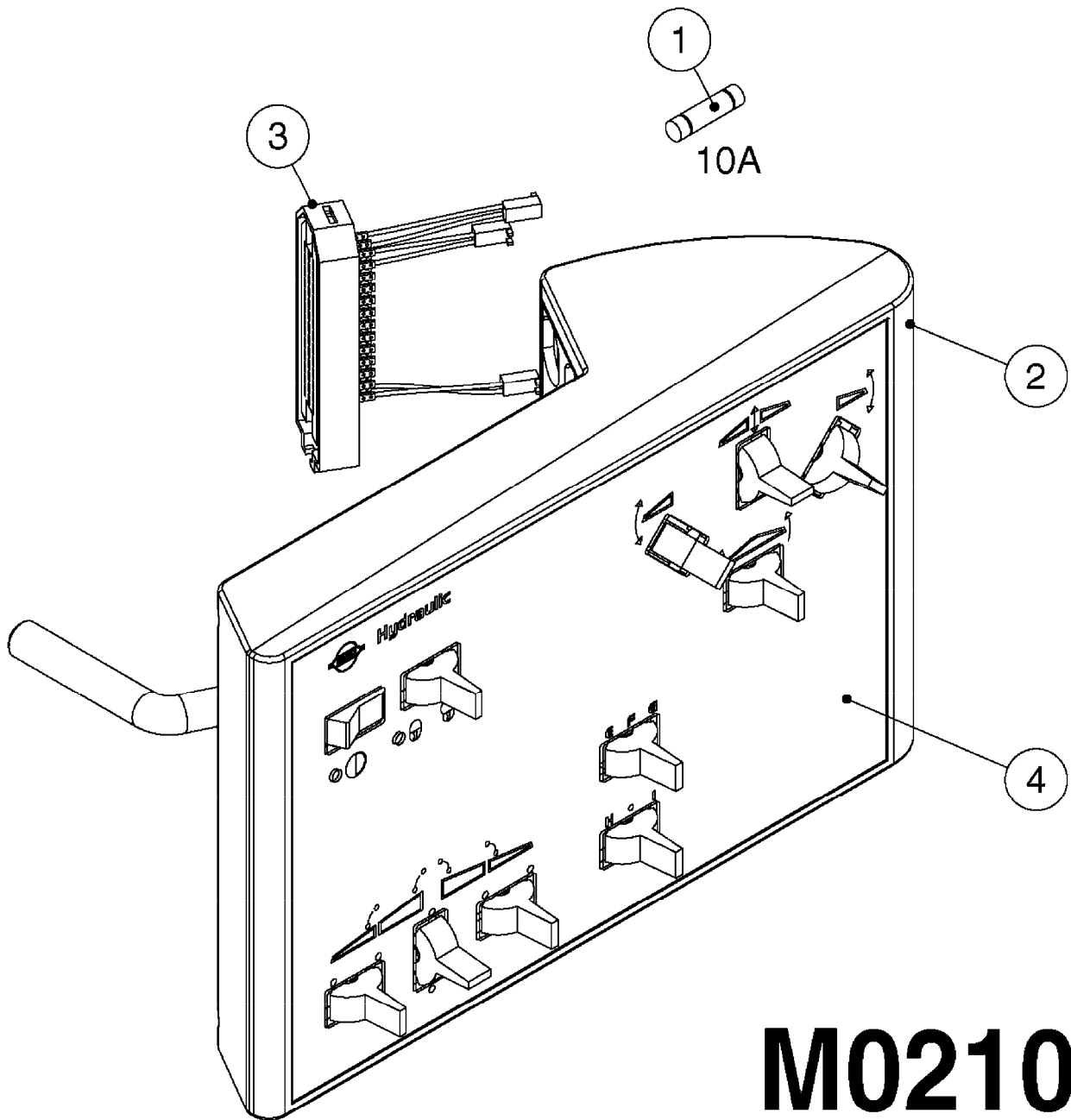


SPRAYBOX II  
M0200-HIN, 01:01:16

Page 1

Date 16.03.2016 13:55

| Pos. | parts-n° | order qty | description                    |
|------|----------|-----------|--------------------------------|
| 1    | 26000400 | 1         | KNOB F.FOAM ADJUST HC5500      |
| 2    | 26005300 | 1         | POT.METER F. SPRAYBOX II       |
| 3    | 26010200 | 1         | CONTROL BOX 2SEC, SPRAY BOX II |
| 3    | 26010300 | 1         | CONTROL BOX 3SEC, SPRAY BOX II |
| 3    | 26010400 | 1         | CONTROL BOX 4SEC, SPRAY BOX II |
| 3    | 26010500 | 1         | CONTROL BOX 5SEC, SPRAY BOX II |
| 3    | 26010600 | 1         | CONTROL BOX 6SEC, SPRAY BOX II |
| 3    | 26010700 | 1         | CONTROL BOX 7SEC, SPRAY BOX II |
| 3    | 26010800 | 1         | CONTROL BOX 8SEC, SPRAY BOX II |
| 3    | 26010900 | 1         | CONTROL BOX 9SEC, SPRAYBOX II  |
| 3    | 26011000 | 1         | SPRAY CONT. II EVC 4 SEC. HAZ  |
| 3    | 26011100 | 1         | SPRAY CONT. II EVC 5 SEC. HAZ  |
| 3    | 26011200 | 1         | SPRAY CONT. II EVC 6 SEC. HAZ  |
| 3    | 26011300 | 1         | SPRAY CONT. II EVC 7 SEC. HAZ  |
| 3    | 26013600 | 1         | CONTROL BOX 13SEC, SPRAYBOX II |
| 4    | 26020200 | 1         | SWITCH ON-ON SP ROCKER RED     |
| 5    | 26020300 | 1         | SWITCH ON-OFF-ON SP BLACK      |
| 6    | 26020400 | 1         | SWITCH MOM-OFF-MOM SP YELLOW   |
| 7    | 26020600 | 1         | SWITCH ON-ON SP GREEN          |
| 8    | 26020800 | 1         | SWITCH ON-ON DP GREEN          |
| 9    | 26021000 | 1         | SWITCH ON-OFF-ON DP BLACK      |
| 10   | 28031400 | 1         | PLUG 39-POLE FEMALE HC5500     |



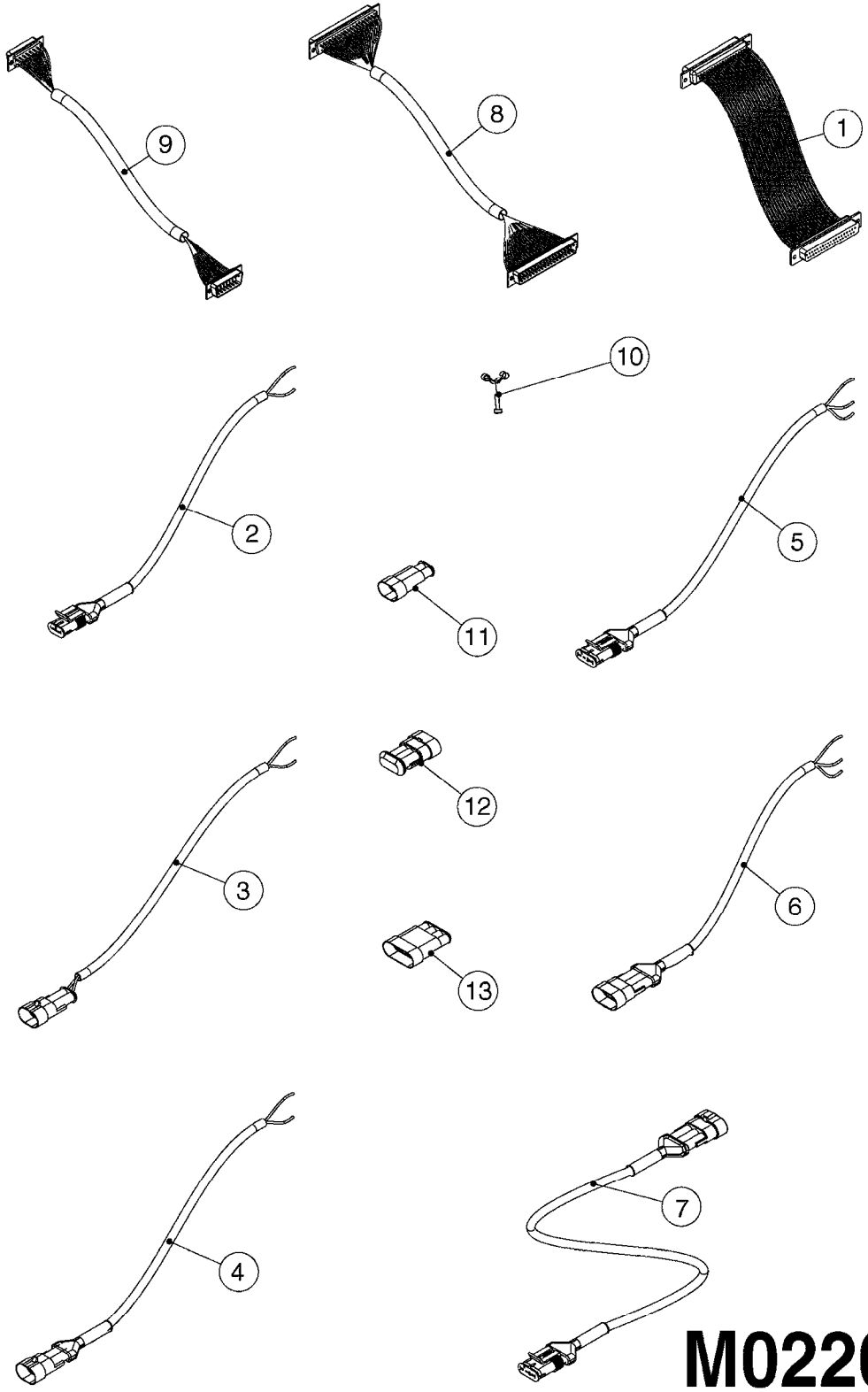


HYDRAULIC CONTROL BOX 39-PIN  
M0210-HIN, 01:01:16

Page 1

Date 16.03.2016 13:55

| Pos. | parts-n° | order qty | description                           |
|------|----------|-----------|---------------------------------------|
| 1    | 26000300 | 1         | FUSE 10A D5X20 MM                     |
| 2    | 26048000 | 1         | HYD. CONTROL BOX WITHOUT DECAL (2012) |
| 3    | 28031400 | 1         | PLUG 39-POLE FEMALE HC5500            |
| 4    | 97611203 | 1         | DECAL-FTZ SEQUENTIAL FOLD             |
| 4    | 97612603 | 1         | DECAL HYD.CNTRL.BOX RANGER HZ         |
| 4    | 97612703 | 1         | DECAL HYD.CNTRL.BOX RANGER HV         |
| 4    | 97614803 | 1         | DECAL HYD.CNTRL.BOX 90/60             |
| 4    | 97614903 | 1         | DECAL HYD.CNTRL.BOX 120/90            |
| 4    | 97615103 | 1         | DECAL HYD.CNTRL.BOX SPB/SPC           |



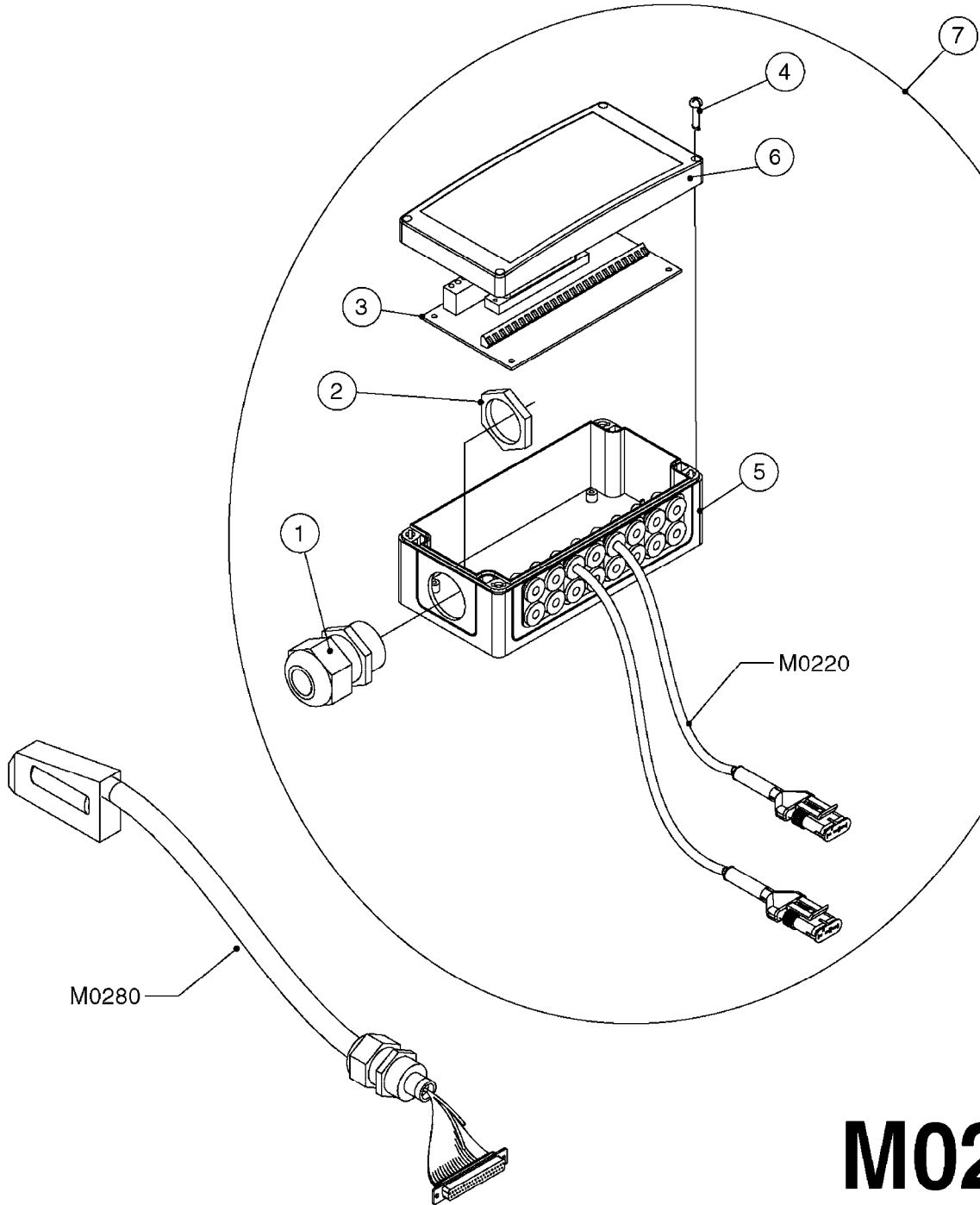
**M0220**



CABLES  
M0220-HIN, 01:01:16

Page 1  
Date 16.03.2016 13:55

| Pos. | parts-n° | order qty | description                      |
|------|----------|-----------|----------------------------------|
| 1    | 26005900 | 1         | WIRE 37/37 POLE DAH/JOB COM      |
| 2    | 26006200 | 1         | CABLE L = 4.50M, AMP, MALE, 2P   |
| 2    | 26006300 | 1         | CABLE L = 0.50M, AMP, MALE, 2P   |
| 2    | 26006400 | 1         | CABLE L = 0.75M, AMP, MALE, 2P   |
| 2    | 26006500 | 1         | CABLE L = 1.50M, AMP, MALE, 2P   |
| 2    | 26006600 | 1         | CABLE L = 9.00M, AMP, MALE, 2P   |
| 3    | 26006700 | 1         | CABLE L = 0.12M, AMP, FEMALE, 2P |
| 4    | 26006800 | 1         | CABLE L = 1.00M, AMP, FEMALE, 2P |
| 5    | 26006000 | 1         | CABLE L = 1.50M, AMP, MALE, 3P   |
| 5    | 26006100 | 1         | CABLE L = 5.00M, AMP, MALE, 3P   |
| 5    | 26007000 | 1         | CABLE L = 0.20M, AMP, MALE, 3P   |
| 5    | 26007100 | 1         | CABLE L = 9.00M, AMP, MALE, 3P   |
| 5    | 26007200 | 1         | CABLE L = 13.00M, AMP, MALE, 3P  |
| 6    | 26007300 | 1         | CABLE L = 1.00M, AMP, FEMALE, 3P |
| 7    | 26007400 | 1         | CABLE L = 3.00M, AMP, EXT, 3P    |
| 7    | 26009800 | 1         | CABLE L = 0.50M, AMP, EXT, 2P    |
| 8    | 26004900 | 1         | CABLE FEM/MALE 37P L=9.5M        |
| 9    | 26007500 | 1         | CABLE FEM/FEM 15P L=3.5M         |
| 10   | 262150   | 1         | SCREW ASSM.FOR D-SUB PLUG        |
| 11   | 72450600 | 1         | CAP F. AMP SUPER SEAL 2P PLUG    |
| 12   | 72450700 | 1         | CAP F. AMP SUPER SEAL 3P PLUG    |
| 13   | 72450800 | 1         | CAP F. AMP SUPER SEAL 4P PLUG    |



**M0230**



JUNCTION BOX - LIQUID  
M0230-HIN, 01:01:16

Page 1  
Date 16.03.2016 13:55

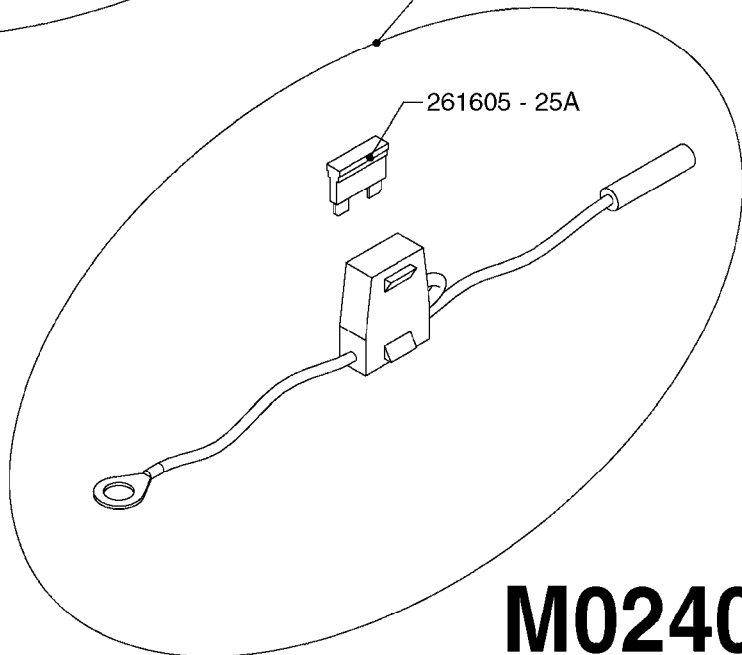
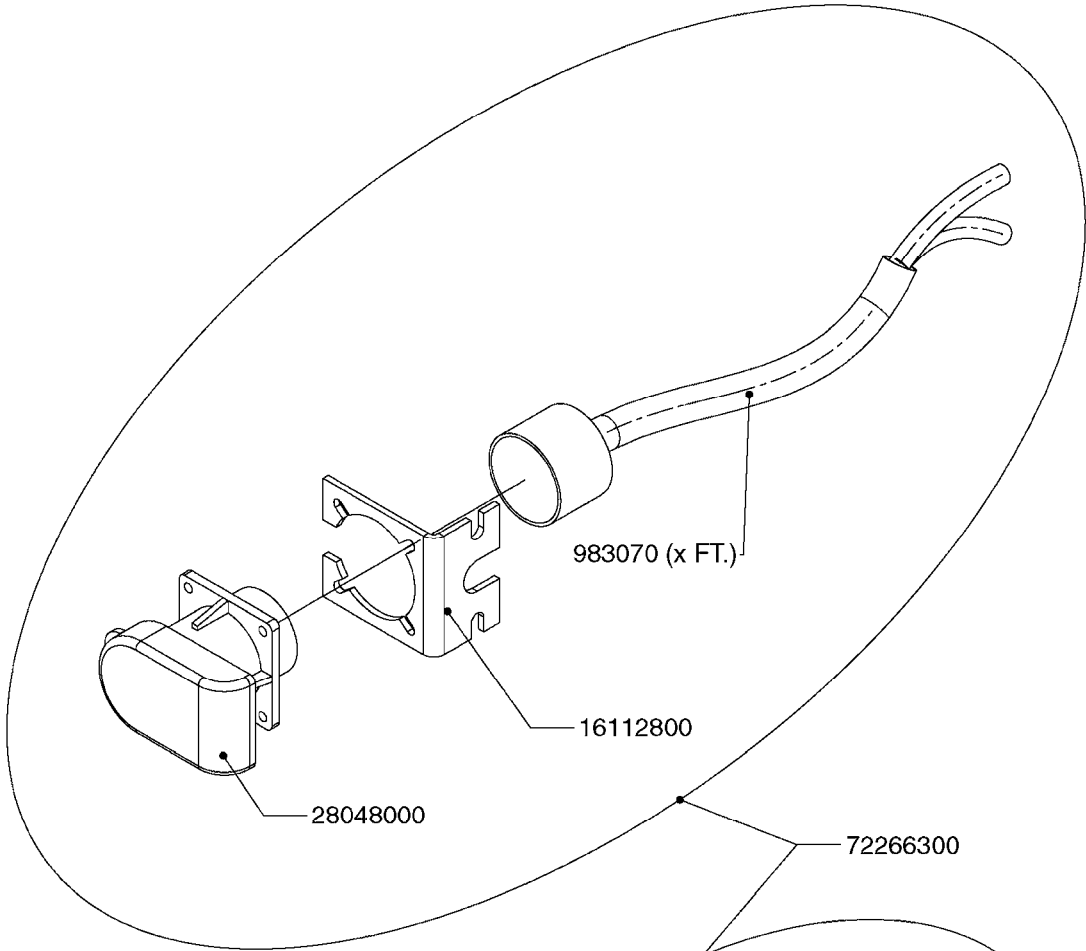
| Pos. | parts-n° | order qty | description                                |
|------|----------|-----------|--------------------------------------------|
| 1    | 262106   | 1         | BULKHEAD F. CABLE 6.5-14 BLACK             |
| 2    | 262107   | 1         | NUT F. BULKHEAD CABLE BLACK                |
| 3    | 26004800 | 1         | CIRCUIT BD SEC VLV NCM 13SEC<br>13 SECTION |
| 3    | 72173900 | 1         | CIRCUIT BD SEC VLV 39PIN 9SEC<br>9 SECTION |
| 4    | 28082100 | 1         | SCREW F. BOX LID 1/4" L=20                 |
| 5    | 33508700 | 1         | BOX BOTTOM 160X80X40 BLACK 1-HOLE          |
| 6    | 33508800 | 1         | LID 160X80X15 BLK W/SCREWS                 |
| 7    | 72115400 | 1         | CONNECTION BOX F. OP. UNIT SV9             |



POWER SUPPLY CABLES  
M0240-HIN, 01:01:16

Page 0

Date 16.03.2016 13:55



**M0240**



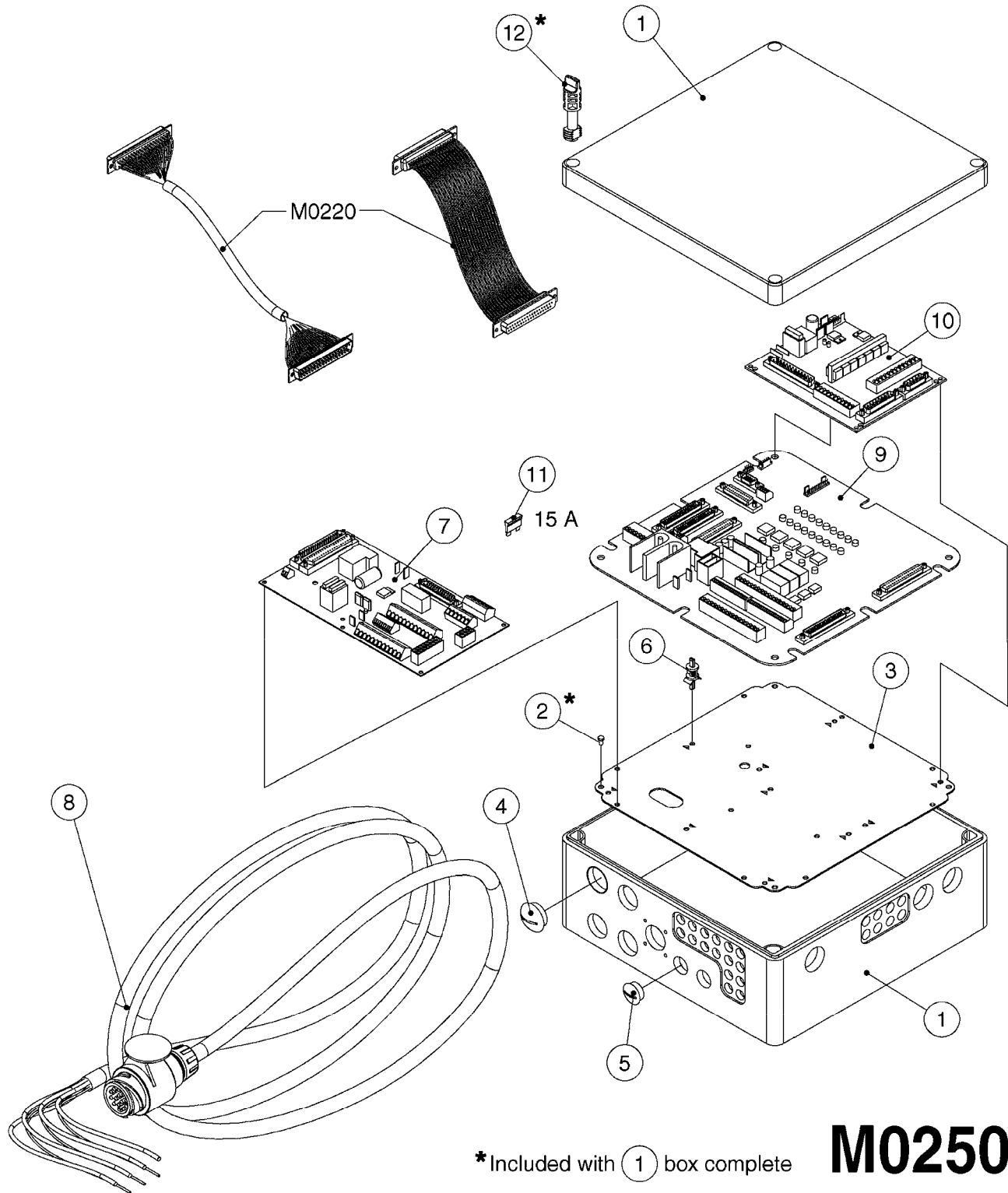


POWER SUPPLY CABLES  
M0240-HIN, 01:01:16

Page 1

Date 16.03.2016 13:55

| parts-n° | order qty | description                    |
|----------|-----------|--------------------------------|
| 261605   | 1         | FUSE 25A F. HP3050             |
| 983070   | 1         | CABLE 2X6MM                    |
| 16112800 | 1         | BRACKET F.12V POWER CABLE/PLUG |
| 28048000 | 1         | PLUG 3-POL DIN 9680 FEM.CHASS  |
| 72266300 | 1         | CABLE 12VDC POWER F. TRACTOR   |



\*Included with (1) box complete

**M0250**

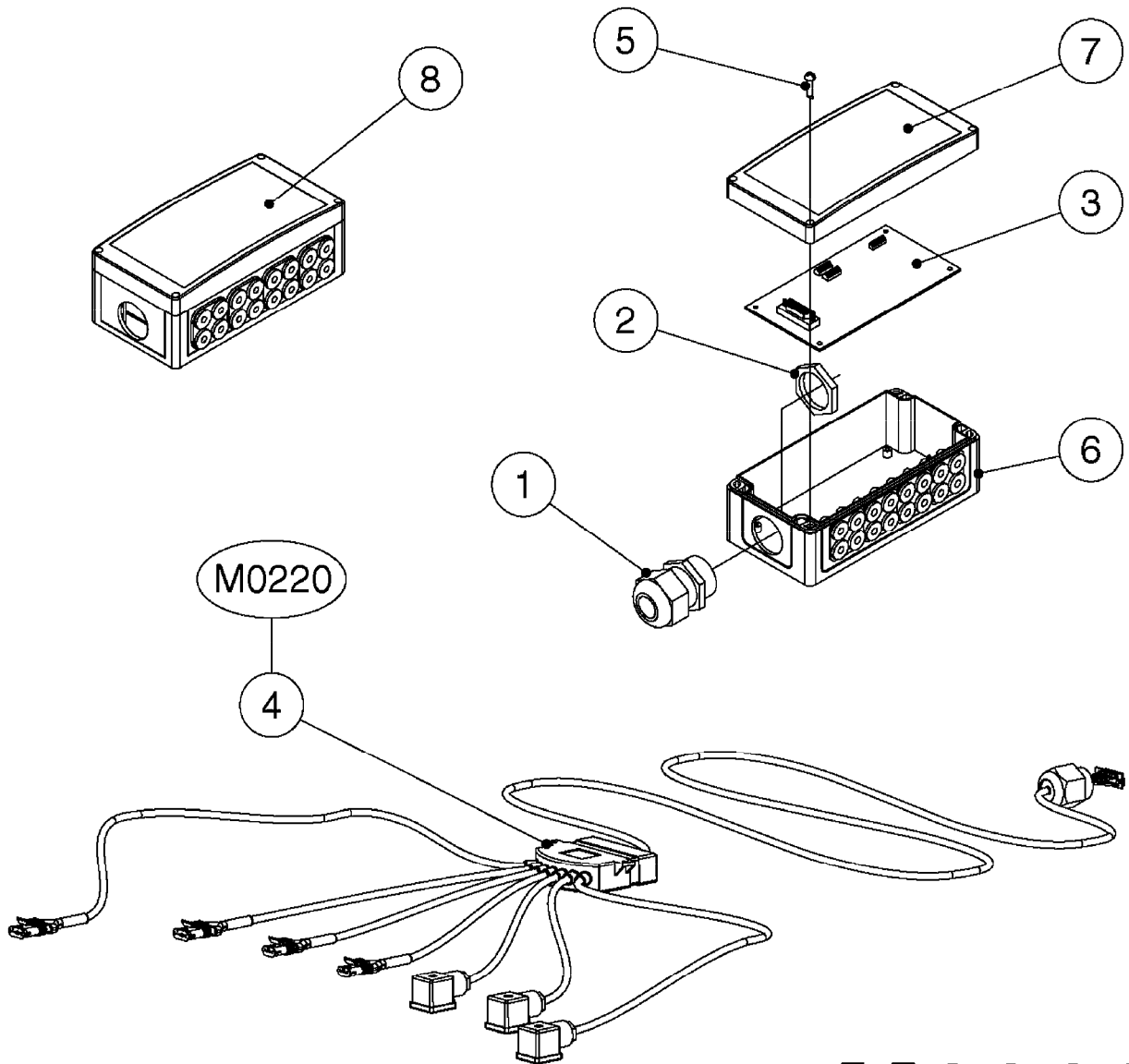


JOB COM AND BREAK OUT  
M0250-HIN, 01:01:16

Page 1

Date 16.03.2016 13:55

| Pos. | parts-n° | order qty | description                    |
|------|----------|-----------|--------------------------------|
| 1    | 391095   | 1         | BOX COMPL. 300X300X135 DRILLED |
| 2    | 440673   | 1         | SCREW F.PLASTIC 5X12 SS        |
| 3    | 16132400 | 1         | PLATE 1.5X270X270/JOB COMPUTER |
| 4    | 26004600 | 1         | PLUG F.DRILLED HOLE 21MM       |
| 5    | 26004700 | 1         | PLUG F.DRILLED HOLE 13.5MM     |
| 6    | 26005100 | 1         | CONNECTOR FOR PCB, PLASTIC     |
| 7    | 26005500 | 1         | PCB BREAKOUT BOX EL BOX CM"05" |
| 8    | 26013800 | 1         | CABLE HC6500 JOB COM TO CABIN  |
| 9    | 26016700 | 1         | JOB COM PCB HW2.1 FOR HC6500   |
| 9    | 72289900 | 1         | JOB COM PCB COMMANDER 44/6600  |
| 9    | 72369300 | 1         | JOB COM PCB NCM44/6600 REFURB. |
| 10   | 26029200 | 1         | DAH PCB F. JOB COM NCM '09     |
| 11   | 28048600 | 1         | FUSE AUTO 15 AMP.              |
| 12   | 28091400 | 1         | FINGER SCREW F.BOX 300X300X135 |



# M0260

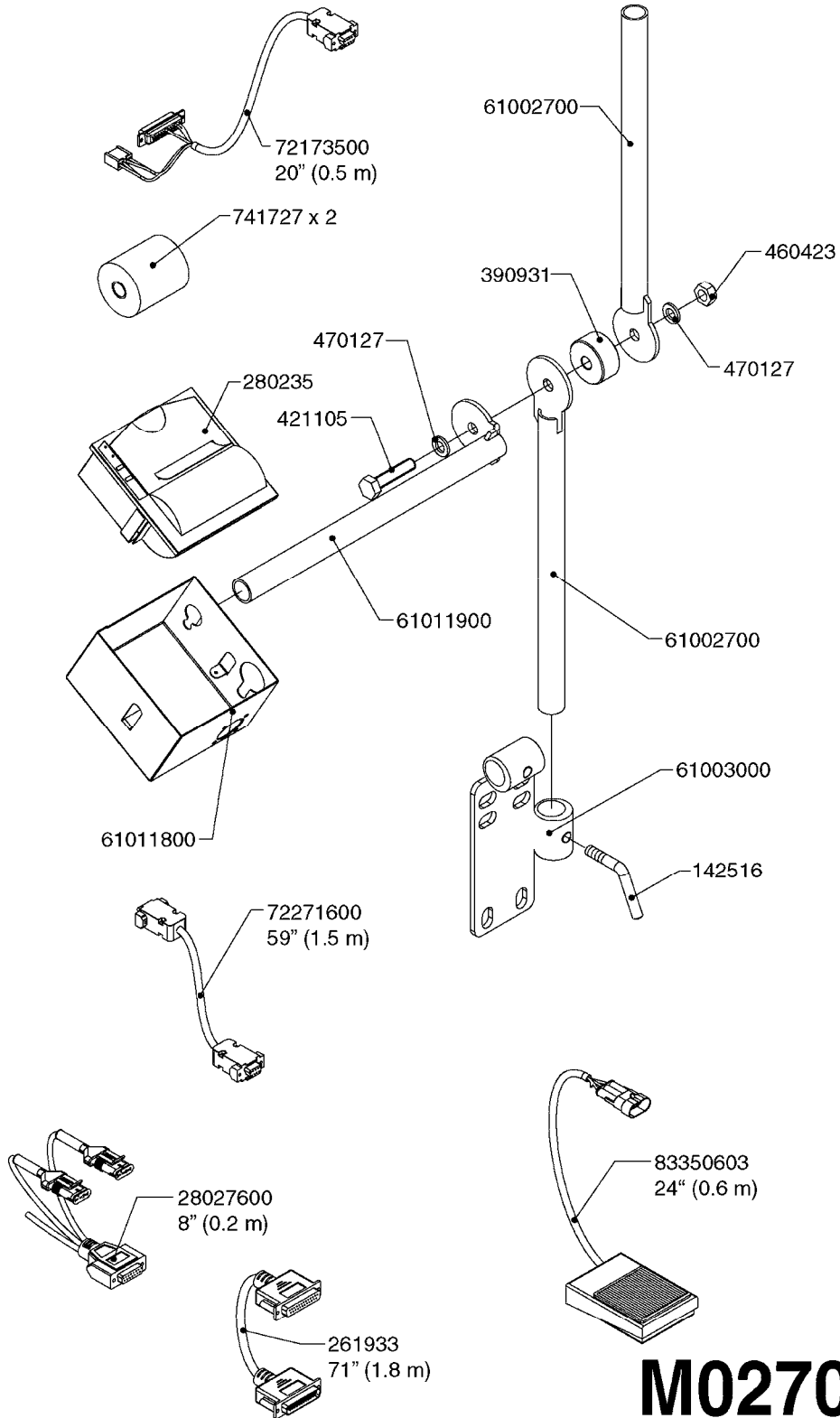


TRACK ASSEMBLE BOX NCM  
M0260-HIN, 01:01:16

Page 1

Date 16.03.2016 13:55

| Pos. | parts-n° | order qty | description                       |
|------|----------|-----------|-----------------------------------|
| 1    | 262106   | 1         | BULKHEAD F. CABLE 6.5-14 BLACK    |
| 2    | 262107   | 1         | NUT F. BULKHEAD CABLE BLACK       |
| 3    | 26007600 | 1         | PCB F. TRACKING JUNC. BOX         |
| 4    | 26024000 | 1         | CABLE SET FOR TRACK NCM           |
| 5    | 28082100 | 1         | SCREW F. BOX LID 1/4" L=20        |
| 6    | 33508700 | 1         | BOX BOTTOM 160X80X40 BLACK 1-HOLE |
| 7    | 33508800 | 1         | LID 160X80X15 BLK W/SCREWS        |
| 8    | 72311700 | 1         | JUNCTION BOX F.STEERING NCM       |





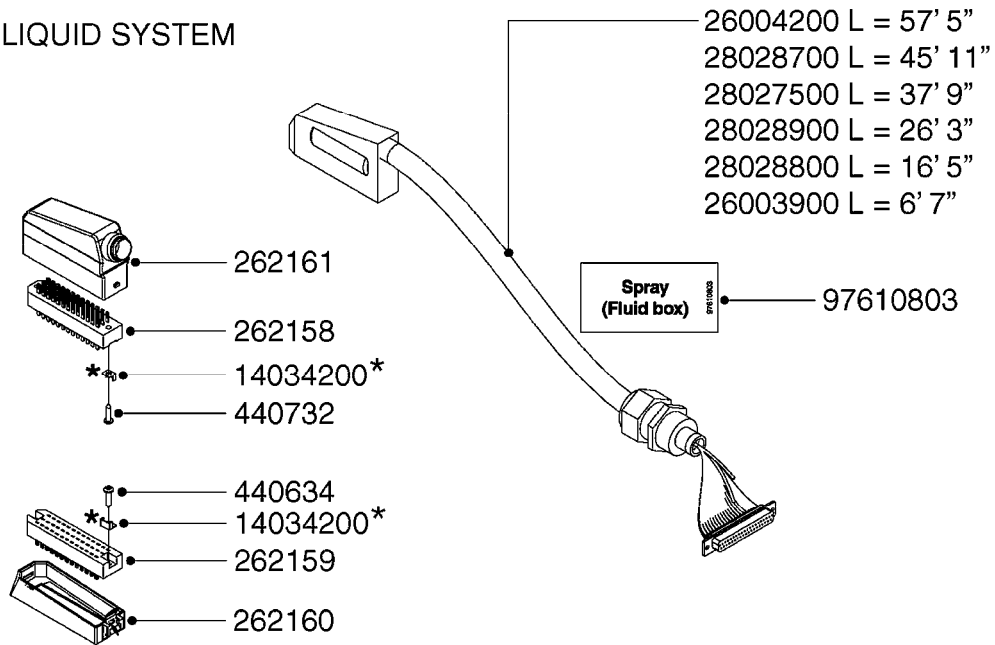
HC 5500 ACCESSORIES  
M0270-HIN, 01:01:16

Page 1  
Date 16.03.2016 13:55

| parts-n° | order qty | description                    |
|----------|-----------|--------------------------------|
| 142516   | 1         | SCREW SET M10 BENT F. LOCKING  |
| 261933   | 1         | CABLE W/PLUG 2X25 L=71"        |
| 280235   | 1         | HARDI PRINTER WITH CLOCK       |
| 390931   | 1         | PLASTIC SPACER D40XD11 L=20    |
| 421105   | 1         | M10X45 MACHINE SCREW STAINLESS |
| 460423   | 1         | NUT HEX M10X1.5 LOCK           |
| 470127   | 1         | WASHER D15D10X2 M10 LOCK       |
| 741727   | 1         | PAPER, THERMAL, HC5500 PRINTER |
| 28027600 | 1         | WIRE HC5500 AUX.               |
| 61002700 | 1         | TUBE BRACKET F.TRACTOR MOUNT   |
| 61003000 | 1         | BRACKET F.TRACTOR MOUNT        |
| 61011800 | 1         | BOX FOR HARDI PRINTER          |
| 61011900 | 1         | TUBE BRACKET F.TRACTOR MOUNT   |
| 72173500 | 1         | WIRE F.PRINTER HC5500 L=20"    |
| 72271600 | 1         | HC5500 COMMUNICATION CABLE     |
| 83350603 | 1         | FOOT SWITCH HC5500 CONTROL     |

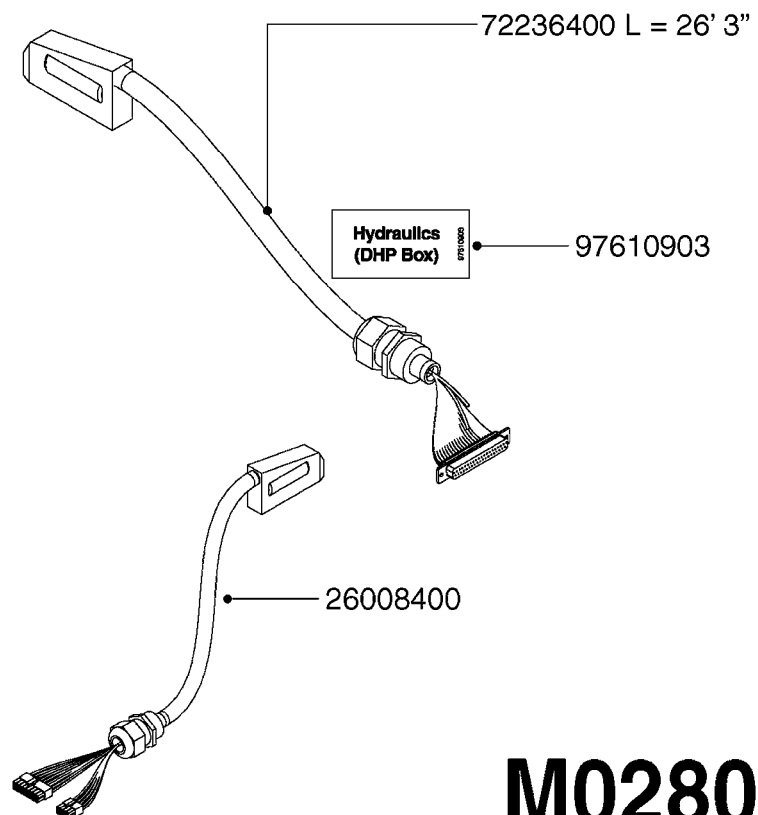
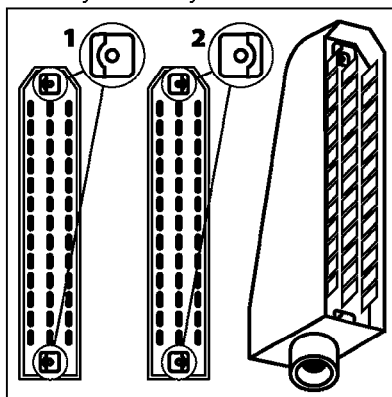


### LIQUID SYSTEM



### HYDRAULIC SYSTEM

\* Note orientation of bracket  
1 = Liquid system  
2 = Hydraulic system



# M0280



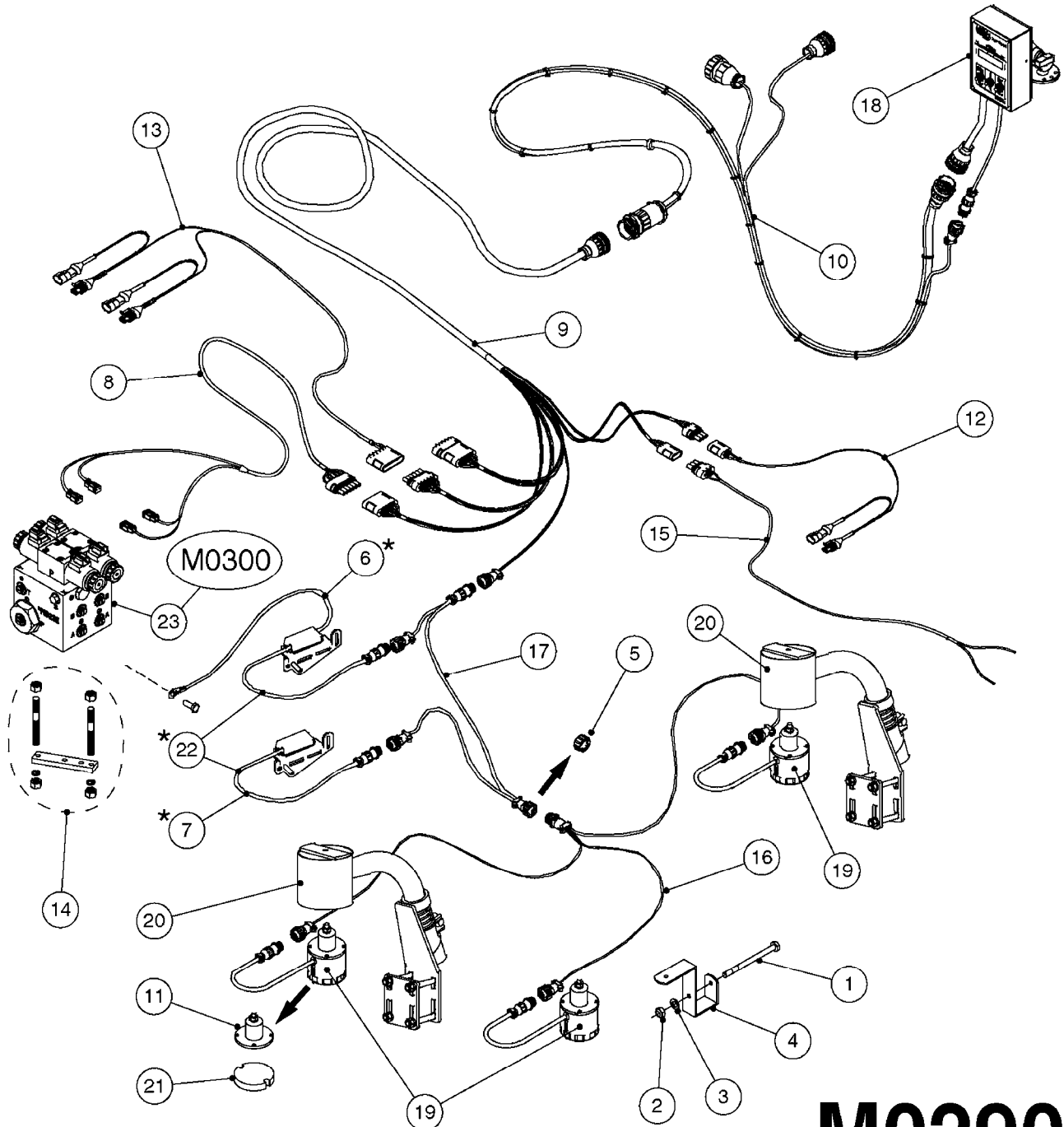


39 PIN CABLES  
M0280-HIN, 01:01:16

Page 1

Date 16.03.2016 13:55

| parts-n° | order qty | description                   |
|----------|-----------|-------------------------------|
| 262158   | 1         | PLUG INSERT 39 POLE MALE      |
| 262159   | 1         | PLUG INSERT 39 POLE FEMALE    |
| 262160   | 1         | PLUG HOUSING 39 POLE FEMALE   |
| 262161   | 1         | PLUG HOUSING F/39 POLE MALE   |
| 440634   | 1         | SCREW 5/8"                    |
| 440732   | 1         | PT SCREW 35X12B Z5452 ELZ     |
| 14034200 | 1         | CODE BRACKET FOR 39 PIN CABLE |
| 26003900 | 1         | WIRE 37-39 PIN EVC, 6.6'      |
| 26004200 | 1         | WIRE 37-39 PIN EVC, 57.4'     |
| 26008400 | 1         | WIRE 39-PIN 24 WIRE L=8M      |
| 28027500 | 1         | WIRE 37-39 PIN EVC, 37.7'     |
| 28028700 | 1         | WIRE 37-39 PIN EVC, 45.9'     |
| 28028800 | 1         | WIRE 37-39 PIN EVC, 16.4'     |
| 28028900 | 1         | WIRE 37-39 PIN EVC, 26.2'     |
| 72236400 | 1         | DAH CONN. WIRE/TRACTOR L=8M   |
| 97610803 | 1         | DECAL-SRAY BOX 39-PIN         |
| 97610903 | 1         | DECAL-HYDRAULIC BOX 39-PIN    |



# M0290

**\*CANNOT MIX OLD AND NEW STYLE ROLL SENSORS!**

If replacing Norac P/N 44641 or 44642, must use pair of new style sensors (22).

Only new style sensors sold separately; (6) (Norac P/N 45000), (7) (Norac P/N 45001).

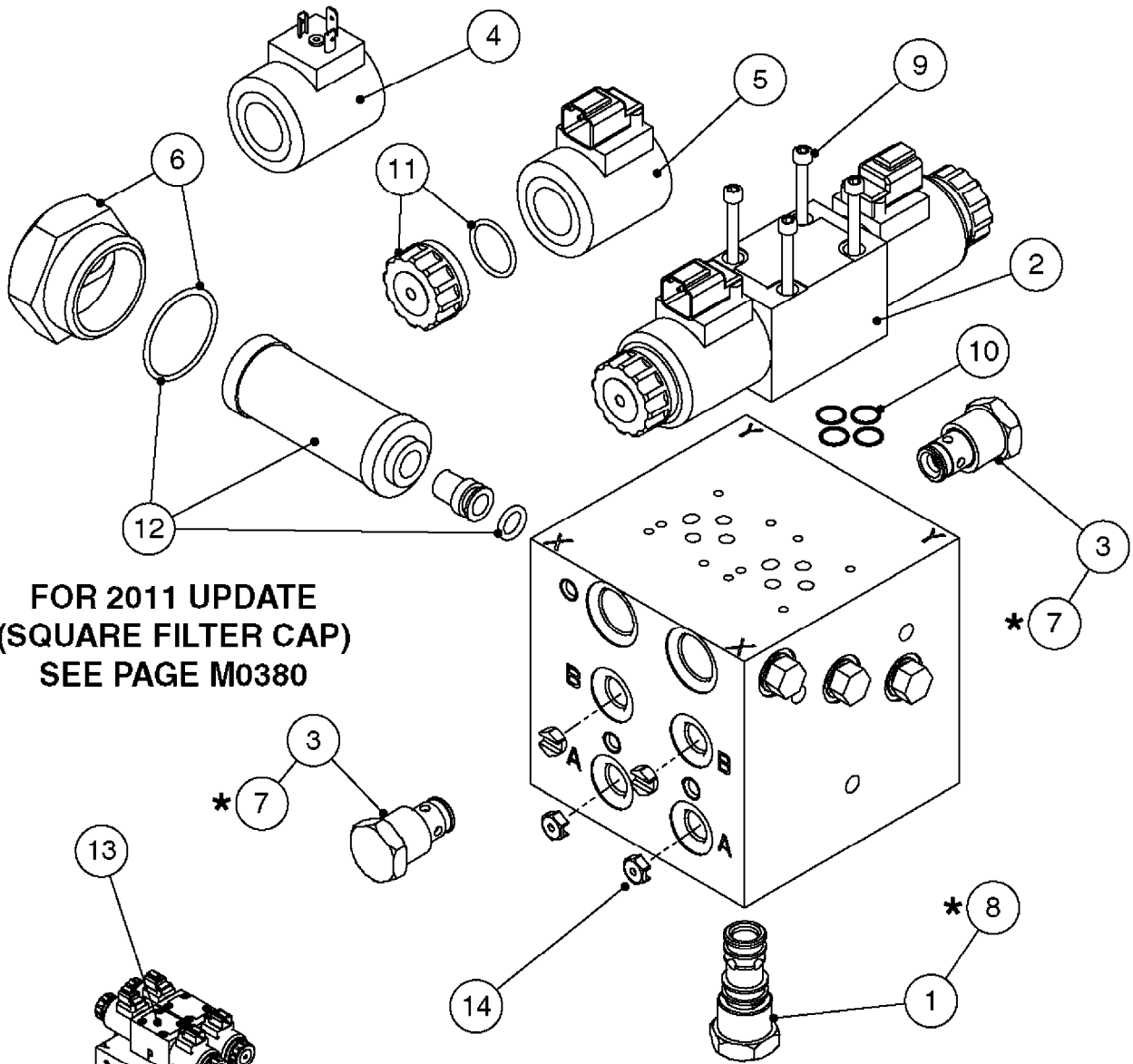
If unsure, pair of new style sensors works with all versions of UC4.



NORAC UC4 BOOM HEIGHT CONTROL  
M0290-HIN, 01:01:16

Page 1  
Date 16.03.2016 13:55

| Pos. | parts-n° | order qty | description                          |
|------|----------|-----------|--------------------------------------|
| 1    | 410443   | 1         | BOLT HEX 8.8 DEL M6X70               |
| 1    | 410605   | 1         | BOLT HEX 8.8 DEL M6X80               |
|      |          |           | SPB/SPC BOOM                         |
| 2    | 460261   | 1         | NUT HEX M6X1 LOCK A2 DIN985          |
| 3    | 471124   | 1         | WASHER, M6, Ø18/ 6.4X 1.6, SS        |
| 4    | 16128603 | 1         | BRACKET F. SENSOR 60X60 TUBE         |
|      |          |           | SPB/SPC BOOM                         |
| 4    | 16128703 | 1         | BRACKET F. SENSOR 50x50 TUBE         |
|      |          |           | FORCE BOOM (FTZ)                     |
| 5    | 26016303 | 1         | CONNECTOR RING CPC #11 NORAC         |
| 6    | 26025903 | 1         | NORAC UC4+ ROLL SENSOR W/TEMP.       |
|      |          |           | CONFIRM NORAC P/N 45000              |
| 7    | 26026003 | 1         | NORAC UC4+ ROLL SENSOR               |
|      |          |           | CONFIRM NORAC P/N 45001              |
| 8    | 26026600 | 1         | NORAC CABLE VAR.RT.VLV DIN           |
|      |          |           | 3-PIN CONNECTORS/HIRSCHMAN           |
| 8    | 28055603 | 1         | NORAC CABLE VAR.RT.VLV DEUTSCH       |
|      |          |           | 2-PIN CONNECTORS/DEUTSCH             |
| 9    | 28049503 | 1         | NORAC CABLE EXTENSION                |
| 10   | 28049603 | 1         | NORAC POWER CABLE                    |
| 11   | 28050303 | 1         | NORAC RUBBER TOP&BOLT F.SENSOR       |
| 12   | 28050703 | 1         | NORAC UC4+ OPEN CTR. CABLE           |
| 13   | 28054303 | 1         | PARALIFT INTERFACE CABLE NORAC       |
| 14   | 28055503 | 1         | NORAC VALVE MOUNTING HARDWARE        |
| 15   | 28055703 | 1         | NORAC VALVE CABLE ROLL PIGTAIL       |
| 16   | 28085900 | 1         | SENSOR BRANCH CABLE NORAC            |
| 17   | 28086200 | 1         | CAN NODE DUAL CABLE NORAC            |
| 18   | 28086300 | 1         | UC4 DISPLAY PANEL NORAC              |
| 19   | 28086400 | 1         | UC4 ULTRASOUND SENSOR NORAC          |
| 20   | 28086500 | 1         | UC4 SENSOR MOUNTING BKT. NORAC       |
| 21   | 28086600 | 1         | FOAM DISC F. SENSOR NORAC            |
| 22   | 70112503 | 1         | UC4+ ROLL SENSOR KIT '11 HIN         |
|      |          |           | INCLUDES NORAC P/N 45000 & 45001     |
| 23   | 78216100 | 1         | NORAC VALVE BLOCK COMP, DEUTSCH CON. |



FOR 2011 UPDATE  
(SQUARE FILTER CAP)  
SEE PAGE M0380

COMPLETE  
ASSEMBLY

\* SEAL KITS

# M0300



NORAC VARIABLE RATE VALVE UC4  
M0300-HIN, 01:01:16

Page 1  
Date 16.03.2016 13:56

| Pos. | parts-n° | order qty | description                                                                              |
|------|----------|-----------|------------------------------------------------------------------------------------------|
| 1    | 28048803 | 1         | NORAC CHECK VALVE                                                                        |
| 2    | 28048903 | 1         | NORAC PROP VALVE                                                                         |
| 2    | 28055803 | 1         | 3-PIN CONNECTORS/HIRSCHMAN<br>NORAC SOLENOID - DEUTSCH CONN.<br>2-PIN CONNECTORS/DEUTSCH |
| 3    | 28049403 | 1         | NORAC CHECK VALVE                                                                        |
| 4    | 28056403 | 1         | COIL, NORAC, PROP, DIN                                                                   |
| 5    | 28056503 | 1         | COIL, NORAC, PROP, DEUTSCH                                                               |
| 6    | 28066803 | 1         | NORAC FILTER CAP W/O-RING                                                                |
| 7    | 28066903 | 1         | NORAC SEAL KIT F.28049403                                                                |
| 8    | 28067003 | 1         | NORAC SEAL KIT F.28048803                                                                |
| 9    | 28068103 | 1         | NORAC HEX CAPSCREW 10-24X2 SS                                                            |
| 10   | 28068203 | 1         | NORAC O-RING F.SOLENOID VALVE                                                            |
| 11   | 28074903 | 1         | NORAC COIL NUT AND O-RING                                                                |
| 12   | 75076900 | 1         | NORAC FILTER ELEMENT KIT                                                                 |
| 13   | 78216100 | 1         | NORAC VALVE BLOCK COMP, DEUTSCH CON.<br>COMPLETE W/2-PIN DEUTSCH SOLENOIDS               |
| 14   | 78603300 | 1         | NORAC ONE WAY ORIFICE, .047"                                                             |



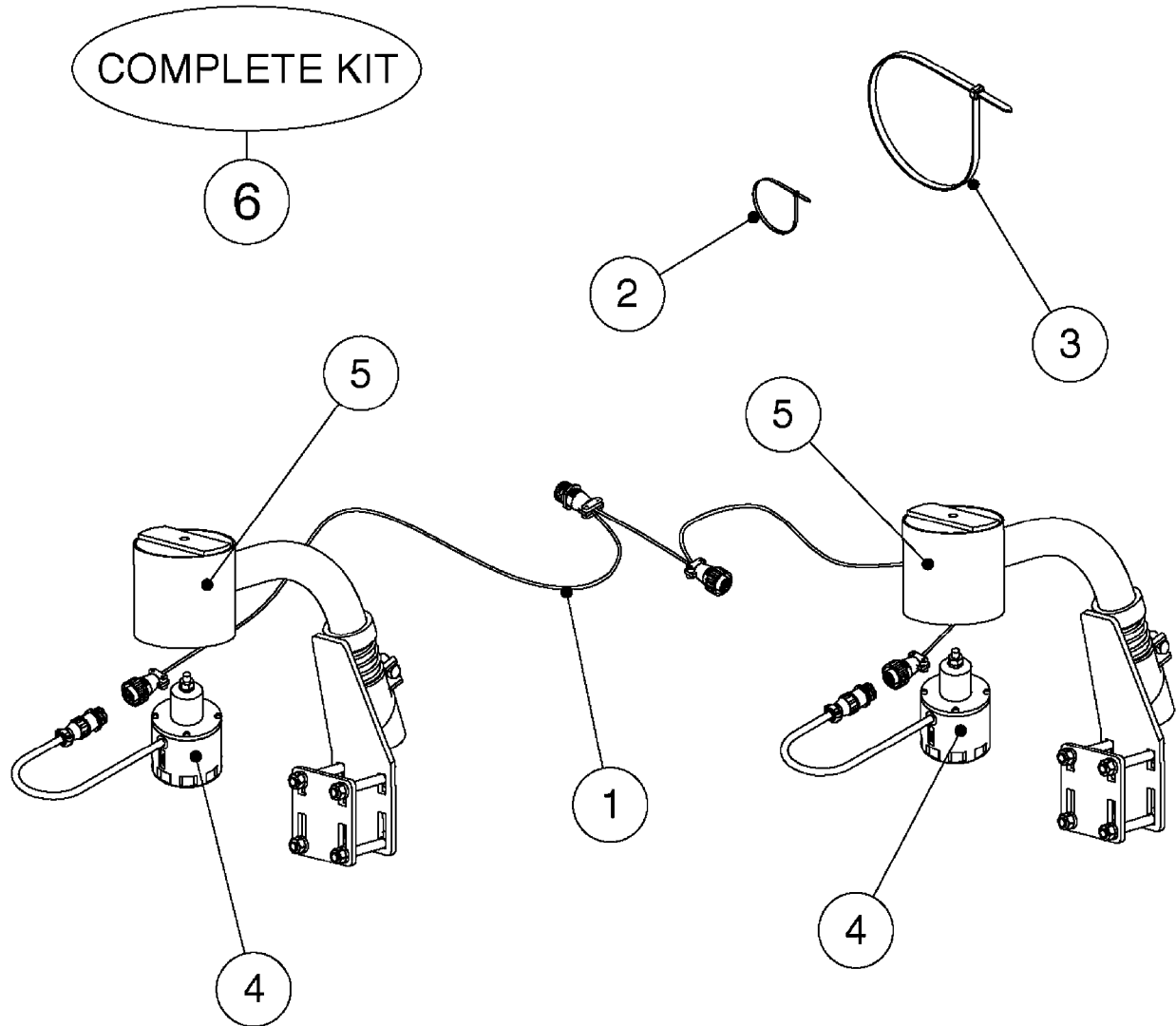


JUNCTION BOXES - HYDRAULIC  
M0350-HIN, 01:01:16

Page 1

Date 16.03.2016 13:56

| Pos. | parts-n° | order qty | description                                             |
|------|----------|-----------|---------------------------------------------------------|
| 1    | 261442   | 1         | LID F.3010/3012 HP BOX                                  |
| 2    | 391071   | 1         | BOX FOR HY.DAH                                          |
| 3    | 983070   | 1         | CABLE 2X6MM                                             |
| 4    | 26016900 | 1         | CABLE DB25M - DB25F L=8.5m                              |
| 5    | 26018000 | 1         | HYD JUNCTION BOX SPZ<br>PRE 2012 EAGLE SPC BOOMS        |
| 5    | 26018100 | 1         | HYD. BOX BOOM PCB W/LEADS<br>FOR FORCE/TWIN FORCE BOOMS |
| 5    | 26018500 | 1         | HYD. BOX BOOM PCB NO LEADS                              |
| 5    | 26038300 | 1         | HYD JUNCTION BOX GENERIC<br>2012 EAGLE SPC/FORCE BOOMS  |
| 6    | 28048000 | 1         | PLUG 3-POL DIN 9680 FEM.CHASS                           |
| 7    | 28048100 | 1         | PLUG 3-POL DIN 9680 MALE SPRAY                          |
| 8    | 28048200 | 1         | WIRE GROMET RUBBER 4 HOLE                               |
| 9    | 28048500 | 1         | FUSE 10A AUTO                                           |
| 10   | 72243500 | 1         | DAH INTERFACE PCB MOUNTED                               |



# M0360



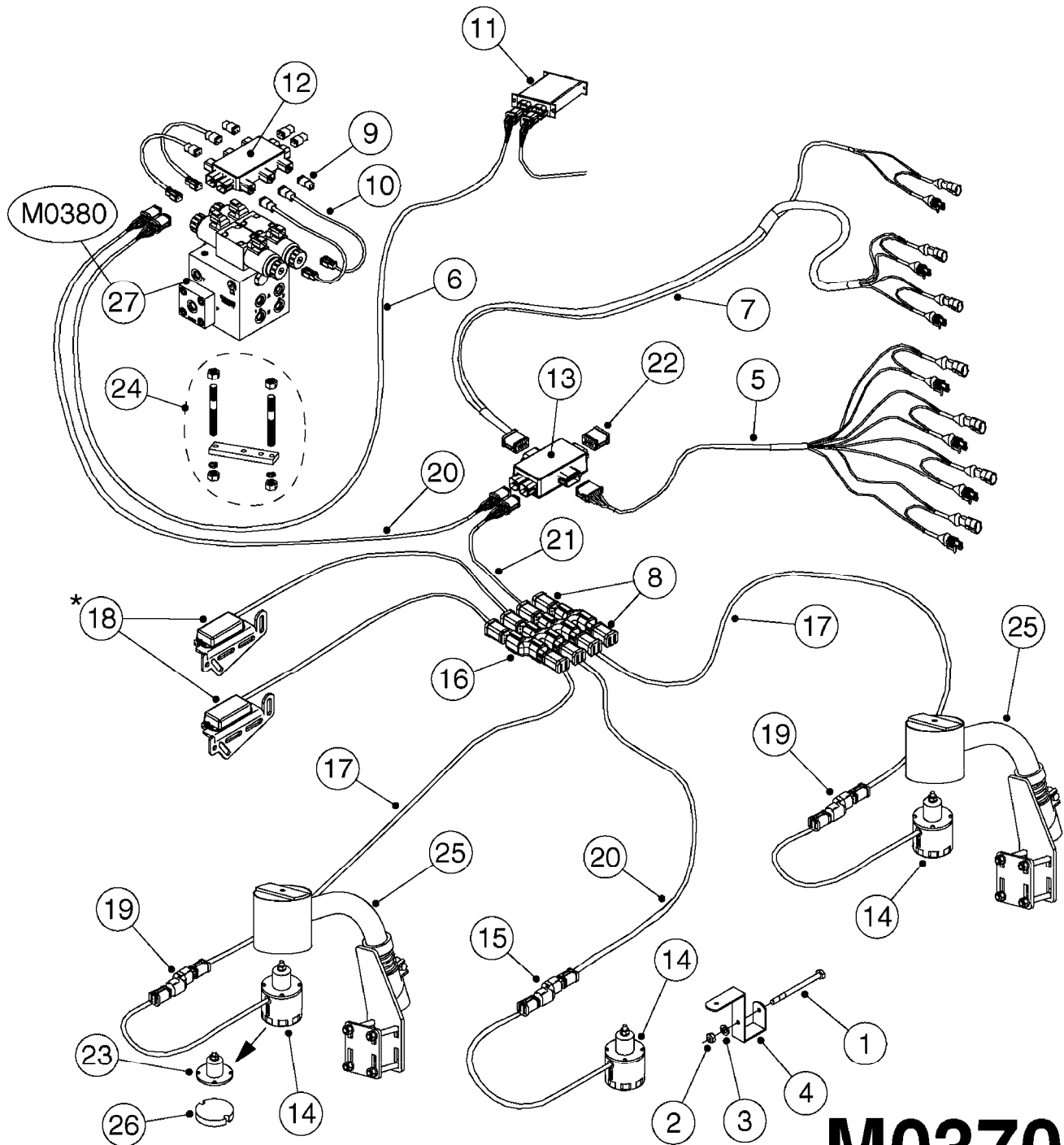


NORAC SEVERE TERRAIN KIT  
M0360-HIN, 01:01:16

Page 1

Date 16.03.2016 13:56

| Pos. | parts-n° | order qty | description                    |
|------|----------|-----------|--------------------------------|
| 1    | 26030300 | 1         | NORAC SEVERE TERRAIN CABLE     |
| 2    | 28024103 | 1         | TIE STRAP L=8" x W=3/16"       |
| 3    | 28025203 | 1         | TIE STRAP L=23" x W=1/2"       |
| 4    | 28086400 | 1         | UC4 ULTRASOUND SENSOR NORAC    |
| 5    | 28086500 | 1         | UC4 SENSOR MOUNTING BKT. NORAC |
| 6    | 72591600 | 1         | NORAC HC SEVERE TERRAIN KIT    |



# M0370

**\*CANNOT MIX OLD AND NEW STYLE ROLL SENSORS!**

If replacing Norac P/N 43740, must replace both roll sensors with new style (18).  
If unsure, new style (Norac P/N 43741) works with all versions of UC5.

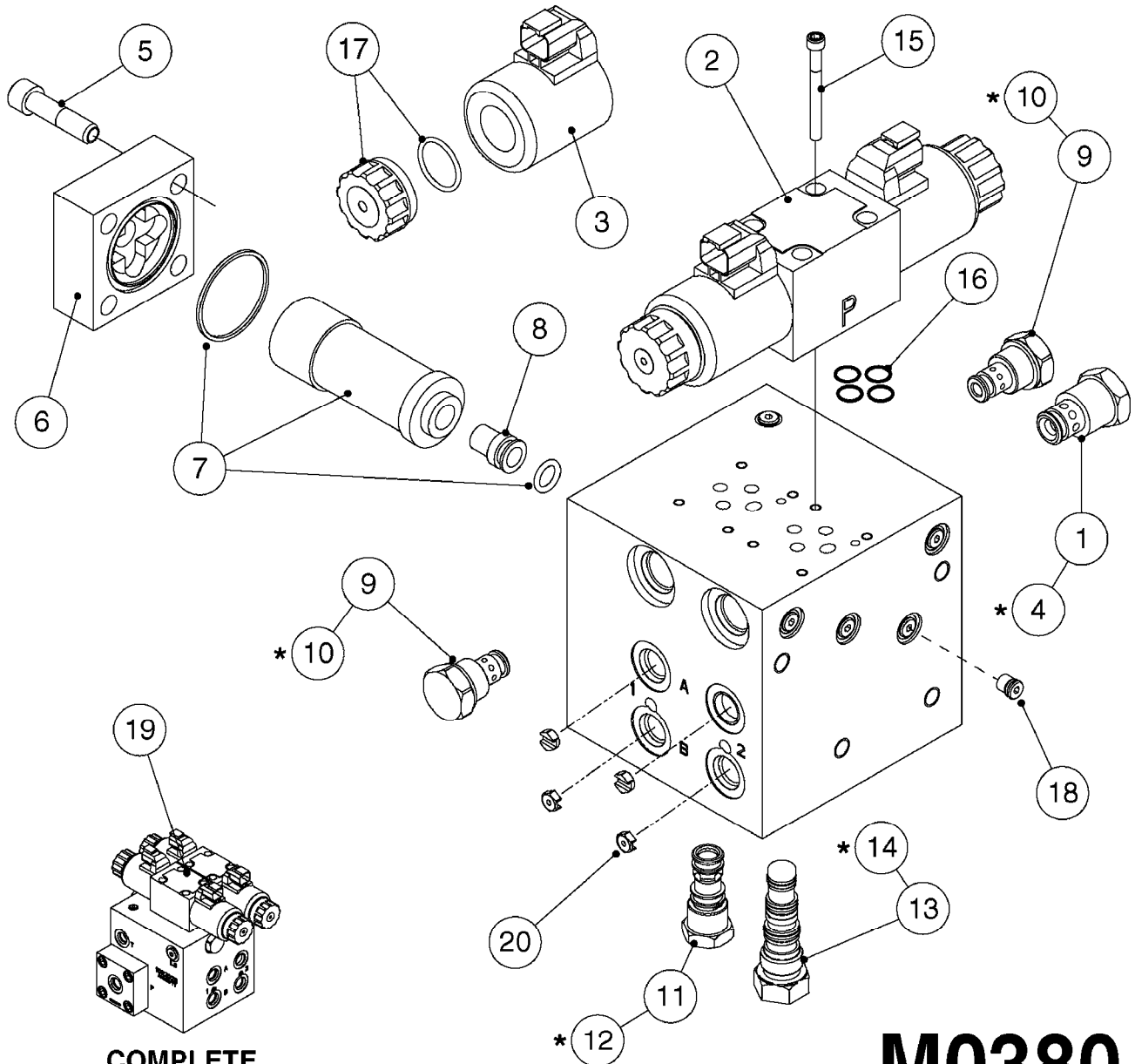


NORAC UC5 BOOM HEIGHT CONTROL  
M0370-HIN, 01:01:16

Page 1

Date 16.03.2016 13:56

| Pos. | parts-n° | order qty | description                                        |
|------|----------|-----------|----------------------------------------------------|
| 1    | 410443   | 1         | BOLT HEX 8.8 DEL M6X70<br>FORCE BOOM (FTZ)         |
| 1    | 410605   | 1         | BOLT HEX 8.8 DEL M6X80<br>SPB/SPC BOOM             |
| 2    | 460261   | 1         | NUT HEX M6X1 LOCK A2 DIN985                        |
| 3    | 471124   | 1         | WASHER, M6, Ø18/ 6.4X 1.6, SS                      |
| 4    | 16128603 | 1         | BRACKET F. SENSOR 60X60 TUBE<br>SPB/SPC BOOM       |
| 4    | 16128703 | 1         | BRACKET F. SENSOR 50x50 TUBE<br>FORCE BOOM (FTZ)   |
| 5    | 26022703 | 1         | CABLE, INTERFACE, TILT, NORAC UC5                  |
| 6    | 26022903 | 1         | CABLE UC5 NETWORK 14 AWG 10M                       |
| 7    | 26023503 | 1         | CABLE UC5 INTERFACE MAIN AMP                       |
| 8    | 26024403 | 1         | NORAC UC5 NETWORK 6-PIN PLUG                       |
| 9    | 26043000 | 1         | NORAC UC5 NETWORK 2 PIN PLUG                       |
| 10   | 26043300 | 1         | CABLE UC5 VALVE 2PIN/2PIN DT                       |
| 11   | 26043400 | 1         | NORAC UC5 CONTROLLER MODULE                        |
| 12   | 26043500 | 1         | NORAC UC5 VALVE MODULE                             |
| 13   | 26043600 | 1         | MODULE, INPUT, NORAC UC5                           |
| 14   | 26043700 | 1         | SENSOR, NORAC, UC5, ULTRASONIC                     |
| 15   | 26043800 | 1         | NORAC UC5 NETWORK COUPLER 2-WAY                    |
| 16   | 26043900 | 1         | NORAC UC5 NETWORK COUPLER 8-WAY                    |
| 17   | 26044200 | 1         | CABLE UC5 NETWORK 18 AWG 20M                       |
| 18   | 26044300 | 1         | NORAC UC5 ROLL SENSOR<br>NEW STYLE NORAC P/N 43741 |
| 19   | 26044400 | 1         | NORAC UC5 COUPLER 2-WAY/TERM.                      |
| 20   | 26047100 | 1         | CABLE UC5 NETWORK 14 AWG 1M                        |
| 21   | 26049900 | 1         | CABLE UC5 NETWORK 14 AWG 3M                        |
| 22   | 26058000 | 1         | NORAC UC5 NETWORK 12-PIN PLUG                      |
| 23   | 28050303 | 1         | NORAC RUBBER TOP&BOLT F.SENSOR                     |
| 24   | 28055503 | 1         | NORAC VALVE MOUNTING HARDWARE                      |
| 25   | 28086500 | 1         | UC4 SENSOR MOUNTING BKT. NORAC                     |
| 26   | 28086600 | 1         | FOAM DISC F. SENSOR NORAC                          |
| 27   | 78216100 | 1         | NORAC VALVE BLOCK COMP, DEUTSCH CON.               |



**COMPLETE  
ASSEMBLY**

**\*SEAL KITS**

**M0380**

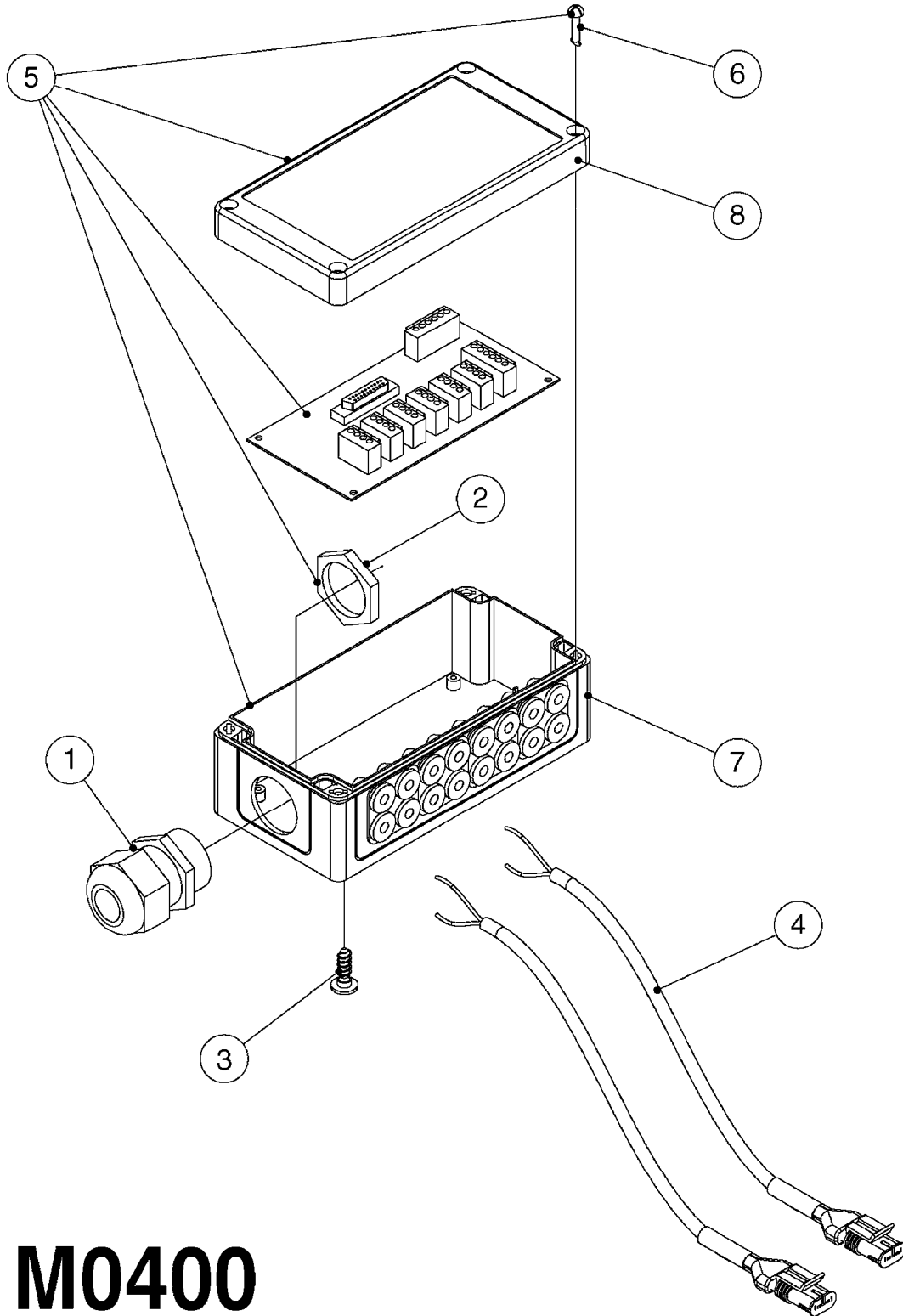


NORAC VAR. RATE VALVE UC4/UC5  
M0380-HIN, 01:01:16

Page 1

Date 16.03.2016 13:56

| Pos. | parts-n° | order qty | description                          |
|------|----------|-----------|--------------------------------------|
| 1    | 28049403 | 1         | NORAC CHECK VALVE                    |
| 2    | 28055803 | 1         | NORAC SOLENOID - DEUTSCH CONN.       |
| 3    | 28056503 | 1         | COIL, NORAC, PROP, DEUTSCH           |
| 4    | 28066903 | 1         | NORAC SEAL KIT F.28049403            |
| 5    | 28067103 | 1         | NORAC HEX CAPSCREW 3/8X1-1/4"        |
| 6    | 28067203 | 1         | NORAC FILTER CAP - 4 BOLT            |
| 7    | 28067303 | 1         | NORAC FILTER ELEMENT KIT UC5         |
| 8    | 28067403 | 1         | NORAC VALVE FILTER INSERT            |
| 9    | 28067503 | 1         | NORAC CHECK VALVE C-8-2              |
| 10   | 28067603 | 1         | NORAC SEAL KIT F.28067503            |
| 11   | 28067703 | 1         | NORAC CHECK VALVE C-8-3              |
| 12   | 28067803 | 1         | NORAC SEAL KIT F.28067703            |
| 13   | 28067903 | 1         | NORAC CHECK VALVE C-8-4              |
| 14   | 28068003 | 1         | NORAC SEAL KIT F.28067903            |
| 15   | 28068103 | 1         | NORAC HEX CAPSCREW 10-24X2 SS        |
| 16   | 28068203 | 1         | NORAC O-RING F.SOLENOID VALVE        |
| 17   | 28074903 | 1         | NORAC COIL NUT AND O-RING            |
| 18   | 28089903 | 1         | NORAC PLUG#2 SAE ZERO-LEAK           |
| 19   | 78216100 | 1         | NORAC VALVE BLOCK COMP, DEUTSCH CON. |
| 20   | 78603300 | 1         | NORAC ONE WAY ORIFICE, .047"         |



**M0400**



HYD. JUNCTION BOX 2012  
M0400-HIN, 01:01:16

Page 1

Date 16.03.2016 13:56

| Pos. | parts-n° | order qty | description                       |
|------|----------|-----------|-----------------------------------|
| 1    | 262106   | 1         | BULKHEAD F. CABLE 6.5-14 BLACK    |
| 2    | 262107   | 1         | NUT F. BULKHEAD CABLE BLACK       |
| 3    | 440675   | 1         | SCREW F. PLASTIC 5X16 SS          |
| 4    | 26006400 | 1         | CABLE L = 0.75M, AMP, MALE, 2P    |
| 5    | 26018500 | 1         | HYD. BOX BOOM PCB NO LEADS        |
| 6    | 28082100 | 1         | SCREW F. BOX LID 1/4" L=20        |
| 7    | 33508700 | 1         | BOX BOTTOM 160X80X40 BLACK 1-HOLE |
| 8    | 33508800 | 1         | LID 160X80X15 BLK W/SCREWS        |