



# **ESTATE SPRAYERS**

## **12 VOLT**

### **Operator's Manual**

67301003 (6/01)

HARDI® reserves the right to make changes in design, material, or specification without notice thereof. HARDI® and other product names are registered trademarks of HARDI® Inc. in the U.S. and in other countries.



# TABLE OF CONTENTS

<b>1.0 INTRODUCTION</b> .....	<b>4</b>
<b>2.0 SAFETY INFORMATION</b> .....	<b>5</b>
2.1 Follow Safety Instructions .....	6
2.2 Operating The Sprayer Safely .....	6
2.3 Handling Chemical Products Safely .....	7
2.4 Local Poison Information Center .....	8
<b>3.0 HOOKING UP THE SPRAYER</b> .....	<b>9</b>
<b>4.0 OPERATING THE SPRAYER</b> .....	<b>10</b>
<b>5.0 NOZZLE SELECTION</b> .....	<b>12</b>
5.1 Handgun Nozzle Selection .....	12
5.2 Boom Nozzle Selection .....	12
<b>6.0 CALIBRATION</b> .....	<b>14</b>
6.1 Calibration (Ounce Method) .....	15
<b>7.0 MAINTENANCE</b> .....	<b>15</b>
7.1 Cleaning The Sprayer .....	15
7.2 Lubrication .....	17
7.3 Pump Maintenance .....	18
<b>8.0 STORAGE</b> .....	<b>18</b>
8.1 Preparation After Storage .....	19
<b>9.0 TROUBLESHOOTING</b> .....	<b>20</b>
<b>10.0 TECHNICAL SPECIFICATIONS</b> .....	<b>21</b>
10.1 FLOJET 12 Volt Pump Specifications .....	21
10.2 Sprayer Specifications .....	21
<b>11.0 PARTS DRAWINGS</b> .....	<b>22</b>
<b>12.0 WARRANTY POLICY AND CONDITIONS</b> .....	<b>33</b>
<b>13.0 NOTES</b> .....	<b>35</b>



Dear Owner,

Thank you for purchasing a HARDI® product and welcome to the ever-increasing family of HARDI® equipment owners.

Our sprayers and accessories are rapidly becoming a familiar sight on North American farms and estates. We believe that this results from growers becoming increasingly conscious of crop protection input costs and the vital need for cost effective application equipment.

Please take the time to thoroughly read the Operator's Manual before using your equipment. You will find many helpful hints as well as important safety and operation information.

Some of the features on your HARDI® Estate Sprayer were suggested by growers. There is no substitute for "on farm" experience and we invite your comments and suggestions.

Please address your correspondence to the Service Manager at one of these branches:

HARDI® MIDWEST  
1500 West 76th St.  
Davenport, Iowa 52806  
Phone: (319) 386-1730  
Fax: (319) 386-1710

HARDI® GREAT LAKES  
290 Sovereign Rd.  
London, Ontario N6M 1B3  
Phone: (519) 659-2771  
Fax: (519) 659-2821

HARDI® WEST COAST  
5646 W. Barstow, Suite 101  
Fresno, California 93722  
Phone: (559) 271-3106  
Fax: (559) 271-3107

Sincerely,

Tom L. Kinzenbaw  
President

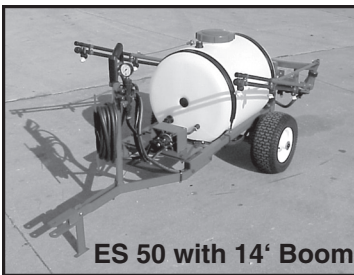


## 1.0 INTRODUCTION

We congratulate you for choosing a HARDI® plant protection product. The reliability and efficiency of this product depends on your care. The first step is to carefully **read and pay attention** to this operator's manual. It contains essential information for the efficient use and long life of this quality product.

This manual covers the HARDI® Estate Sprayers equipped with the FLOJET electric diaphragm pump and ET manual control. These sprayers include the ES 30, ES 50 and SM 50 models. The FLOJET 12 Volt pump is self-priming and able to run dry without damage. The ET manual control features: on/off control for boom and handgun, pressure adjustment, pump bypass agitation and a 2-1/2" pressure gauge. Also covered in this manual are the 6' and 14' booms which feature fore and aft breakaways. The 6' boom folds vertically and the 14' boom folds horizontally forward. Both booms feature ISO flat fan nozzles with 20" spacing. The model 60L spraygun features an adjustable nozzle for varying the spray width. The standard spraygun features 25' of 3/8" hose on the hose wrap (optional 40').

Since this book covers options available for several different Estate Sprayers, please pay attention to the sections dealing specifically with your model.



## 2.0 SAFETY INFORMATION



**WARNING!**



**ALWAYS READ THE OPERATOR'S MANUAL BEFORE  
USING THIS EQUIPMENT**

**DO NOT REMOVE ANY SAFETY DEVICES OR  
SHIELDS. NEVER SERVICE, CLEAN OR REPAIR A  
MACHINE WHILE IT IS OPERATING**

**WARNING!**



**ALWAYS WATCH FOR THIS SYMBOL TO POINT OUT  
IMPORTANT SAFETY PRECAUTIONS**

**IT MEANS ATTENTION! BECOME ALERT!  
YOUR SAFETY IS INVOLVED!**



## RECOGNIZE SAFETY INFORMATION

This is the Safety-alert symbol. When you see this symbol on your machine or in this manual, be alert to the potential for personal injury.

Follow recommended precautions and safe operating practices.

### 2.1 Follow Safety Instructions

1. Carefully read all the safety messages in this manual and the safety labels fitted to the machine. Keep safety labels in good condition. Replace missing or damaged safety labels. Make sure that new equipment components include any current safety labels. Replacement safety labels are available from your authorized HARDI® dealer.
2. Learn how to operate the sprayer and how to use the controls properly. Do not let anyone operate the sprayer without proper instructions.
3. Keep your sprayer in proper working condition. Unauthorized modifications or use may impair the function and/or safety and affect the machine's life.
4. If you do not understand any part of this manual and need assistance, please contact your authorized HARDI® dealer.

### 2.2 Operating The Sprayer Safely

1. Read the complete manual carefully and become familiar with the operation of the equipment before initial operation in each spraying season. Failure to do so may result in possible over or under application of spray solution and may lead to personal injury.
2. Always keep children away from your estate sprayer.
3. Never pull your estate sprayer behind a truck on public roads. Load the sprayer onto a trailer or into the back of a truck for transporting.
4. Understand service procedures before undertaking any maintenance. Never lubricate, service, or adjust the machine while it's moving. Securely support any components before working on them.
5. Keep all parts in good condition and properly installed. Repair damaged parts immediately. Replace worn or broken parts.

## 2.3 Handling Chemical Products Safely



1. Direct exposure to hazardous chemicals can cause serious injury. These chemicals can include lubricants, coolants, paints, adhesives and agricultural chemicals. Material Safety Data Sheets (M.S.D.S.) are available for all hazardous chemicals which inform the user of specific details including, physical and health hazards, safety procedures, and emergency response techniques.
2. Protective clothing such as rubber gloves, goggles, coveralls and respirator must be worn while handling chemicals. All protective clothing should be kept in excellent condition and cleaned regularly or discarded.
3. If chemicals come in contact with any exposed skin areas, wash immediately with clean water and detergent. Never place nozzle tips or any other components that have been exposed to chemicals to lips to blow out obstructions. Use a soft brush to clean spray nozzles.
4. Dedicate an area to fill, flush, calibrate and decontaminate sprayer where chemicals will not drift or run off to contaminate people, animals, vegetation, water supply, etc. Locate this area where there is no chance of children coming in contact with this residue.
5. Decontaminate equipment used in mixing, transferring and applying chemicals after use. Follow the instructions on the chemical label for the correct procedure required. Wash spray residue from outside of the sprayer to prevent corrosion.
6. Extreme care should be taken in measuring spray products. Powders should be used in suitable sized packages or weighed accurately. Liquids should be poured into a suitable graduated container. Keep chemical containers low when pouring. Wear a filtered respirator and let the wind blow away from you to avoid dust and/or splashes contacting the skin or hair.
7. Store chemicals in a separate, plainly marked locked building. Keep the chemical in its original container with the label intact.
8. Dispose all empty containers after rinsing in accordance with local regulations & by-laws. Dispose of all unused chemicals and left over fertilizer in an approved manner
9. Keep a first aid kit and fire extinguisher available at all times when handling chemicals.



## 2.4 Local Poison Information Center

PHONE NO. \_\_\_\_\_ - \_\_\_\_\_ - \_\_\_\_\_

Find the phone number for the poison control center in your phone book and write it in the space above.

Keep a list, in the space provided below, of all the chemicals that you have in use.

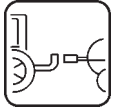
1. \_\_\_\_\_
2. \_\_\_\_\_
3. \_\_\_\_\_
4. \_\_\_\_\_
5. \_\_\_\_\_
6. \_\_\_\_\_
7. \_\_\_\_\_
8. \_\_\_\_\_
9. \_\_\_\_\_
10. \_\_\_\_\_



# 3.0 HOOKING UP THE SPRAYER

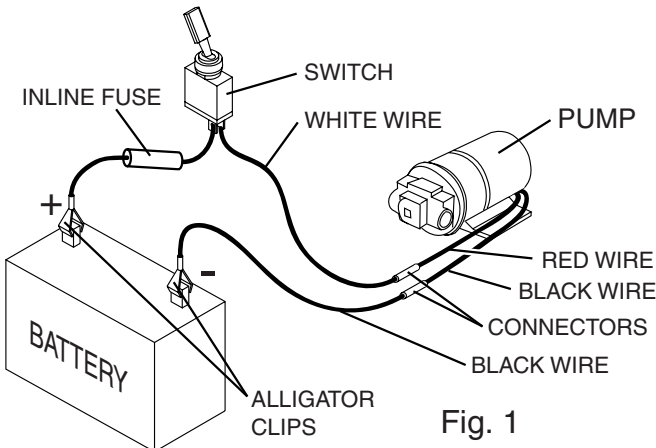
## TOW VEHICLE REQUIREMENTS:

Lawn & Garden tractor or ATV with a drawbar with sufficient horsepower and braking ability to safely control the following specifications:



Sprayer	Total Loaded Weight (lbs.)	Tongue Weight (lbs.)
ES 30	396	26
ES 50	598	68

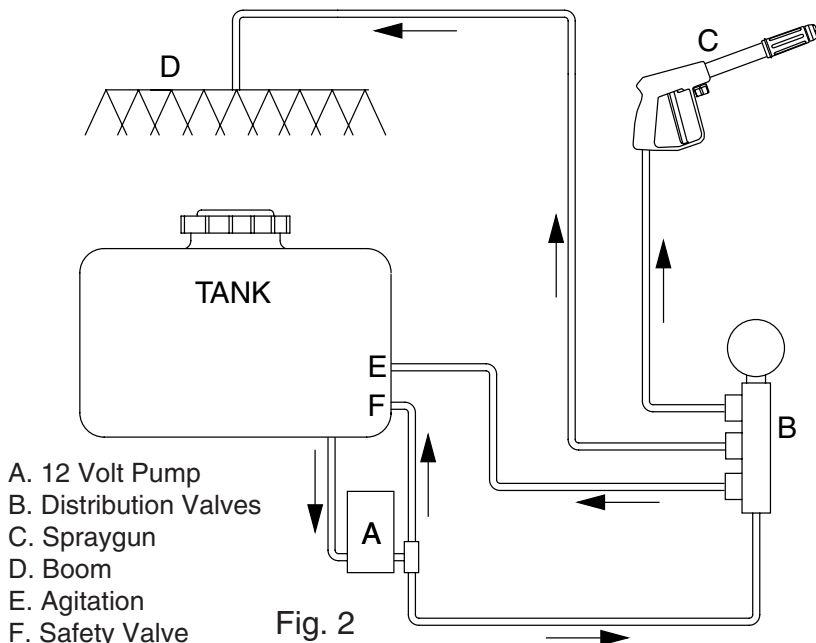
- ES 30 and ES 50:** Attach sprayer tongue to drawbar with the correct size drawbar pin and install safety clip.  
**SM 50:** Secure sprayer to bed of truck/utility vehicle. The SM 50 weighs 84 lbs empty (plus weight of spray liquid).
- The electrical wiring for the 12 Volt pump must be completed before first time use. If this has already been done, skip to step 3. If not, locate a place to mount the supplied switch within easy reach of the operator. Use Fig. 1 as a guide to connect the pump to the supplied wires, switch, inline fuse and alligator clips. Make sure that the switch and inline fuse are installed in the white wire (+) connected to the pump's red wire (+).
- With the switch in the "off" position, connect the alligator clip on the white wire (+) to the positive terminal of the 12 Volt battery and connect the alligator clip on the black wire (-) to the negative terminal of the battery. For ES 30 and ES 50, ensure that there is enough slack in the wiring between tow vehicle and sprayer to prevent damage to wires when turning.
- Tire pressure should be 10 PSI (ES 30, ES 50 only).





## 4.0 OPERATING THE SPRAYER

**IMPORTANT:** Always fill your estate sprayer with clean water only. Always fill water through the strainer basket to prevent foreign particles from entering the tank. Never let the filling hose enter the tank. Chemicals may contaminate the water supply lines, plant and/or well.



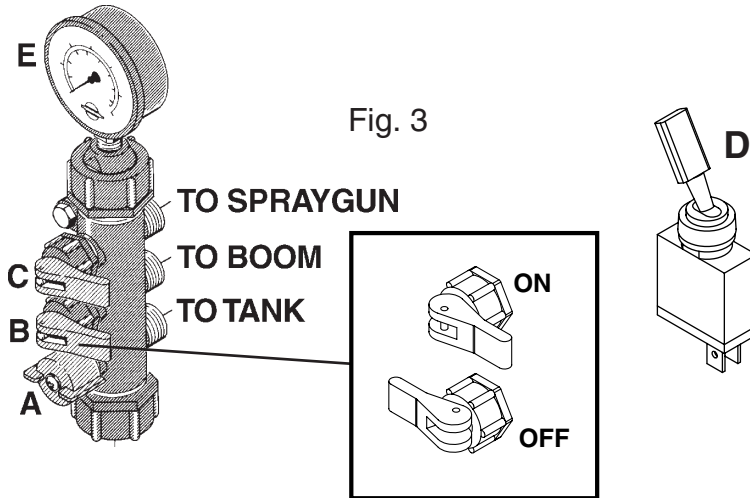
### Plumbing Overview

When the 12 Volt FLOJET pump **A** (Fig 2) is on, fluid flows from the tank to the distribution valves **B** (Fig 2). Fluid that is not required for use by the boom or spraygun is returned to the tank through the bypass line and agitation nozzle **E** (Fig 2). When the boom valve is open, fluid flows to the boom **D** (Fig 2). When the spraygun valve is open and the red handle on the spraygun is depressed, fluid flows to the spraygun **C** (Fig 2). If the boom and spraygun valves are off and the pressure valve is set too low to handle the output from the pump, the safety valve **F** (Fig 2) opens to allow the fluid to return to the tank.

### Boom Operation

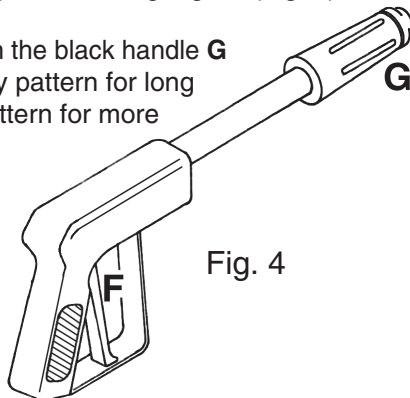
1. Locate your sprayer in a suitable location to spray water from the boom and/or handgun.

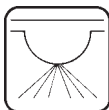
2. Fill the tank with clean water.
3. Turn dial **A** (Fig. 3) counter clockwise all the way out.
4. Set boom switch **B** (Fig. 3) on and spraygun switch **C** (Fig. 3) off.
5. Turn electrical switch **D** (Fig. 2) on to spray water from the boom.
6. Increase pressure by turning dial **A** (Fig. 3) clockwise. Watch the pressure gauge **E** (Fig. 3) until the desired pressure is reached (turning dial **A** (Fig. 3) counter clockwise decreases pressure).
7. When spraying with the boom, use the electrical switch **D** (Fig. 3) to turn the boom on and off.



### Spraygun Operation

8. To operate the spraygun, turn switch **B** (Fig. 3) off and switch **C** (Fig. 3) on. Then depress the red handle **F** (Fig. 4) to spray water from the spraygun. Check the pressure on gauge **E** (Fig. 3) and follow step 6 to adjust.
9. To adjust the spray pattern, turn the black handle **G** (Fig. 4) OUT for a narrow spray pattern for long distances and IN for a wide pattern for more coverage at close distances.



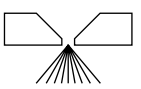
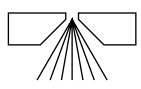


## 5.0 NOZZLE SELECTION

As standard equipment with your estate sprayer, nozzles have been provided for both the handgun and boom.

### 5.1 Handgun Nozzle Selection

The 1099-20 nozzle (HARDI® ref. no. 371314) is the standard nozzle for the handgun. This nozzle supplies the following rates in U.S. gallons per minute at the given pressures:

NOZZLE	PSI	GPM	
			
1099-20	20	0.678	0.538
	30	0.829	0.661
	40	0.956	0.766
	50	1.068	0.857

Other size 1099 nozzles are available from you HARDI® Dealer.

### 5.2 Boom Nozzle Selection

ISO F-03-110 BLUE nozzles (HARDI® ref. no. 371767) are standard on the 6' boom, while ISO F-02-110 YELLOW nozzles (HARDI® ref. no. 371766) are standard on the 14' boom. If you find by using the following directions and nozzle chart, that these nozzles are not the correct size for your spraying needs, other nozzles are available from your HARDI® Dealer.



**NOTE:** A Calibration & Nozzles Manual (HARDI® ref. no. 67000103) is available from your HARDI® dealer which contains more detailed information for calibration and nozzle selection.

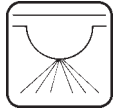
#### TO USE THE FOLLOWING CHART:

1. You must know your desired forward speed (example 3 MPH).
2. You must know the pressure (PSI) you want to spray at (example 30 PSI).
3. You must know your desired application rate (example 16 gallons per acre).

**KNOWING THESE THREE FACTS, PROCEED AS FOLLOWS:**

1. Locate the correct speed column on the chart below (example 3 M.P.H.).
2. Find the number in that column which is closest to your desired application rate and is also opposite the desired pressure (example 16.8 GPA is closest to 16 GPA and opposite 30 PSI).
3. For this example, you would select the F-02-110 YELLOW nozzle.

**NOTE:** Using this chart will bring you very close to your desired application rate. However, for final pressure setting, you must calibrate your sprayer (Section 6.0).



**HARDI® ISO F-110 SPRAY SYNTAL NOZZLES**

NOZZLE	PSI	GPM	GPA at MPH				
			2 MPH	3 MPH	4 MPH	5 MPH	6 MPH
ISO F-01-110 ORANGE (371764)	20	0.071	10.5	7.0	5.3	4.2	3.5
	30	0.087	12.9	8.6	6.5	5.2	4.3
	40	0.100	14.8	9.9	7.4	5.9	5.0
	50	0.113	16.8	11.2	8.4	6.7	5.6
	60	0.122	18.1	12.1	9.1	7.2	6.0
ISO F-015-110 GREEN (371765)	20	0.11	16.3	10.9	8.2	6.5	5.4
	30	0.13	19.3	12.9	9.7	7.7	6.4
	40	0.15	22.2	14.8	11.1	8.9	7.4
	50	0.17	25.2	16.8	12.6	10.1	8.4
	60	0.18	26.7	17.8	13.3	10.7	8.9
ISO F-02-110 YELLOW (371766)	20	0.14	20.8	13.9	10.4	8.3	6.9
	30	0.17	25.2	16.8	12.6	10.1	8.4
	40	0.20	29.7	19.8	14.8	11.9	9.9
	50	0.23	34.1	22.8	17.1	13.7	11.4
	60	0.24	35.6	23.8	17.8	14.3	11.9
ISO F-03-110 BLUE (371767)	20	0.21	31.1	20.8	15.6	12.5	10.4
	30	0.26	38.6	25.7	19.3	15.4	12.9
	40	0.30	44.6	29.7	22.3	17.8	14.8
	50	0.34	50.5	33.7	25.2	20.2	16.8
	60	0.37	54.9	36.6	27.5	22.0	18.3



## 6.0 CALIBRATION

**WARNING: ALWAYS CALIBRATE YOUR SPRAYER WITH CLEAN WATER ONLY! WEAR PROTECTIVE CLOTHING SUCH AS RUBBER GLOVES, GOGGLES AND COVERALLS.**



### Why must you calibrate a sprayer?

A nozzle selection chart will tell you what application rate you should expect. Variations due to nozzle wear, errors in pressure adjustment, and tractor speedometer can result in a large error in application rate.

### How do you calibrate a sprayer?

Calibration kits are available from HARDI®, #818493 for U.S. Gallons and #818492 for metric calibration. For accurate calibration, the sprayer is driven a specific distance at spraying speed and the length of time is recorded. The operator then measures the amount of water sprayed from one nozzle at spraying pressure for the same length of time noted. The amount of water sprayed provides a direct reading of application rate. Slight adjustments are then made by varying the pressure.

Here are some tips to remember when using the calibration kit method:

1. Calibrate with clean water only.
2. Follow the instructions in the calibration kit carefully.
3. Before calibration, check the flow of each nozzle. If it puts out more than 10% of its original volume, replace it.
4. When determining the length of time required to drive a recommended distance, drive in actual field or lawn conditions with a half full sprayer. Repeat the test several times, then take the average of the times recorded.
5. Calibration of the sprayer should be completed at the beginning of the season and repeated every 2 to 3 full days of spraying, and every time you change volume rate or use different nozzles.



**NOTE:** A Calibration & Nozzles Manual (HARDI® ref. no. 67000103) is available from your HARDI® dealer which contains more detailed information for calibration and nozzle selection.

## 6.1 Calibration (Ounce Method)

If you do not wish to use the calibration kit method, the following method may be used. All you need is a tape measure, stop watch and a container that accurately measures U.S. fluid ounces.

1. Fill the sprayer tank approximately half full with clean water.
2. Set up two stakes, 204 ft. apart in actual spraying conditions.
3. While driving at spraying speed, note the length of time required to drive 204 ft. Repeat several times and take the average of the times recorded.
4. With the sprayer operating at intended spraying pressure, collect the output from one nozzle for the length of time determined in step 3. The number of U.S. fluid ounces will exactly measure the application rate.

e.g. 15 U.S. fluid ounces = 15 U.S. gallons per acre

**NOTE:** This method only works if the nozzle spacing is 20”.

For conversion to Imperial gallons per acre, multiply U.S. GPA x .833

For conversion to liters per hectare, multiply U.S. GPA x 9.34

For conversion to liters per acre, multiply U.S. GPA x 3.78

## 7.0 MAINTENANCE

**IMPORTANT:** *Always clean the boom at the end of your workday or before servicing is done to avoid unnecessary contact with chemicals.*

In order to derive full benefit from the sprayer for many years, the following few, but important rules should be followed.

### 7.1 Cleaning The Sprayer

Read the entire label of the chemical used. Take note of any particular instructions regarding recommended protective clothing, deactivating agents, etc. Read the detergent and deactivating agent labels. If cleaning procedures are given, follow them closely.

Be familiar with local legislation regarding disposal of agricultural chemicals, mandatory decontamination methods, etc. Contact the appropriate office, e.g. Department of Agriculture.





## 7.1 Cleaning The Sprayer (cont.)

Cleaning starts with calibration as a well calibrated sprayer will ensure the minimal amount of remaining spray liquid. It is a good practice to clean the sprayer immediately after use thereby rendering the sprayer safe and ready for the next application. This also prolongs the life of the components.

It is sometimes necessary to leave the spray liquid in the tank for short periods of time (e.g. overnight), or until the weather becomes suitable for spraying again. Unauthorized persons and animals must not have access to the sprayer under these circumstances.

### Cleaning

1. Dilute the remaining spray liquid in the tank with at least 10 parts water and spray the liquid out into the field or lawn you have just sprayed.
2. Select and use the appropriate protective clothing. Select detergent suitable for cleaning and suitable deactivation agents if necessary.
3. Rinse and clean sprayer and tractor externally. Use detergent if necessary.
4. Remove all filters and clean them. Be careful not to damage the mesh. Replace filters when the sprayer is completely clean.
5. With the pump running, rinse the inside of the tank. Remember the tank roof. Rinse and operate all components and any equipment that has been in contact with the chemical.
6. After spraying the liquid out again in the field or lawn, stop the pump and fill at least 1/5 of the tank with clean water. Note that some chemicals require the tank to be completely filled. Add appropriate detergent and/or deactivating agent, e.g. Washing soda or Triple ammonia.



**NOTE:** If a cleaning procedure is given on the chemical label, follow it closely.

7. Start the pump and operate all controls enabling the liquid to come in contact with all the components. Leave the distribution valves until last. Some detergents and deactivating agents work best if left in the tank for a short period. Check the label.
8. Drain the tank and let the pump run dry. Rinse inside of tank, again letting the pump run dry.

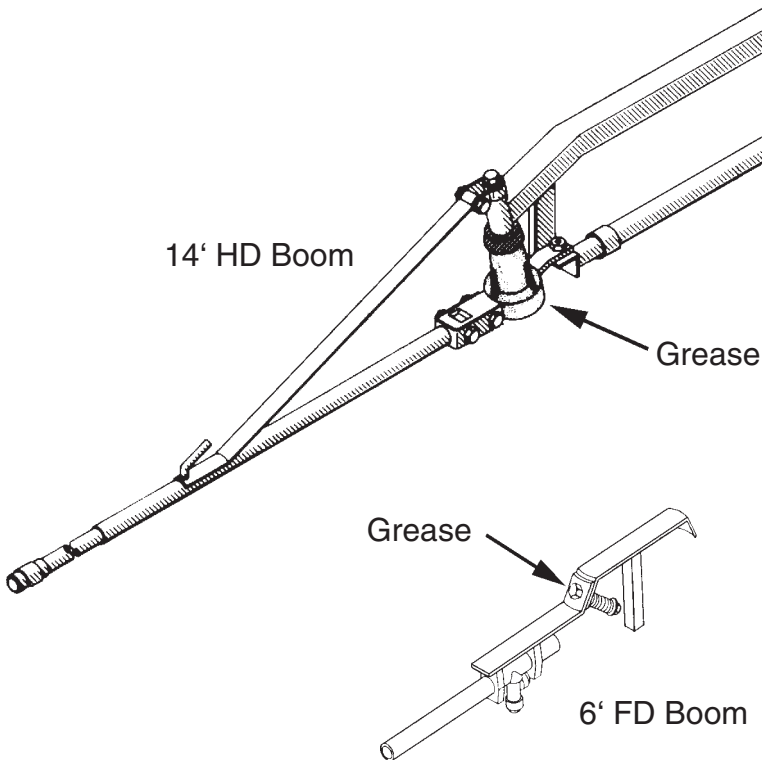


9. Stop the pump. If the chemicals used have a tendency to block nozzles, remove and clean them now.
10. Replace all filters and nozzles and store the sprayer. If, from previous experiences, it is noted that the solvents in the chemicals are particularly aggressive, store the sprayer with the tank lid open.

**NOTE:** If the sprayer is cleaned with a high pressure cleaner, we recommend lubrication of the entire machine.

## 7.2 Lubrication

Every 40 hours new grease should be applied to the breakaway on the boom. For easier application of grease, place the boom wing in the breakaway position.





## 7.3 Pump Maintenance

To disassemble pump head assembly, remove two screws **A** (Fig. 5) at front of pump. Rotate bearing cover so access notch is aligned with cam/bearing set screw on motor shaft. Loosen set screw with 1/8" allen wrench and slide pump head off motor shaft.

To install replacement pump head, coat motor shaft with grease prior to assembly. Slide cam/bearing assembly over motor shaft. Align set screw with dimple in motor shaft and tighten securely. Set screw must center in shaft dimple for correct cam position, otherwise diaphragm may be damaged. Rotate pump head to original position. Install top and bottom screws **A** (Fig. 5) and tighten.

Operate pump to make sure flow and motor speed are normal. If operation is noisy, flow is down or pressure is low, recheck cam/bearing set screw to make sure it is centered in the shaft dimple (See Section 11.0, page 23 for FLOJET PUMP BREAKDOWN).

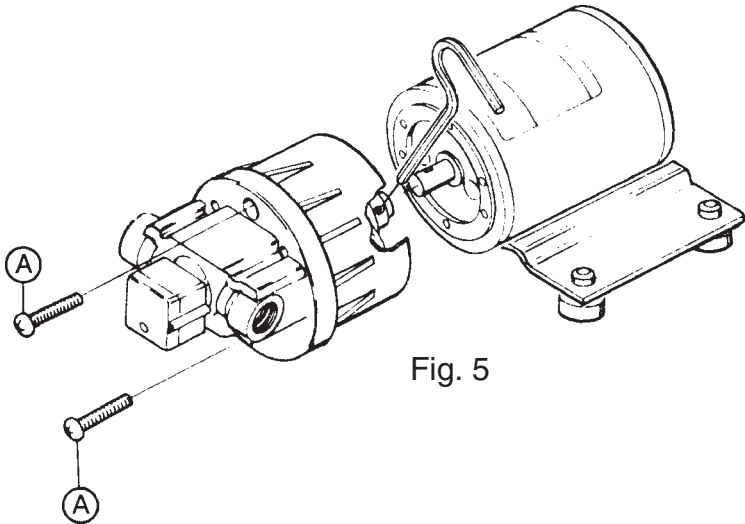


Fig. 5



## 8.0 STORAGE

When the spraying season is over, you should devote some extra time to the sprayer. If chemical residues are left over in the sprayer for long periods, it can reduce the life of the individual components. To preserve the sprayer and protect the components, carry out the following off-season storage program:

1. Clean the sprayer completely - inside and outside - as described in Section 7.1 "Cleaning The Sprayer". Make sure that all valves, hoses and auxiliary equipment have been cleaned with detergent and flushed with clean water afterwards, so no chemical residues are left in the sprayer.
2. Replace any damaged seals and repair any leaks.
3. Empty the sprayer completely and let the pump work for a few minutes. Operate all valves and handles to drain as much water out of the spraying circuit as possible. Let the pump run until air is coming out of all nozzles.
4. Fill the tank with 3 - 5 gallons of an ethylene glycol base anti-freeze mixture at the ratio for the desired temperature protection. Run the pump and circulate the anti-freeze through the distribution valves and boom lines. Spray the handgun into the tank until anti-freeze sprays out to make sure the line is full of anti-freeze.

**NOTE:** Never use diesel fuel in a sprayer.

5. When the sprayer is dry, remove rust from any scratches in the paint and touch up the paint.
6. Lubricate the boom (Section 7.2).
7. Remove the glycerine-filled pressure gauge and store in a vertical position in a frost-free environment.
8. Store the electric wires, switch and inline fuse in a dry plastic bag to protect them against moisture, dirt, and corrosion.
9. To protect against dust, the sprayer can be covered by a tarpaulin. Ensure ventilation to prevent condensation.

## 8.1 Preparation After Storage

After a storage period, the sprayer should be prepared for the next season in the following way:

1. Remove the cover (If fitted).
2. Fit the pressure gauge again. Seal with Teflon tape.
3. Connect the sprayer to the tow vehicle (Section 3.0).
4. Empty the remaining antifreeze into an approved container.
5. Rinse the entire liquid circuit on the sprayer with clean water. Don't forget to flush the boom and handgun lines also.
6. Fill with clean water and check all functions (Section 4.0).

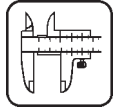




## 9.0 TROUBLESHOOTING

<i><b>Problem</b></i>	<i><b>Solution</b></i>
1. Lack of Pressure	<ul style="list-style-type: none"><li>A. Check that suction filter is not clogged.</li><li>B. Check suction line from tank to pump for leaks.</li><li>C. Check that pressure regulator seat is not damaged.</li><li>D. Check pressure gauge.</li></ul>
2. Pressure jumping	<ul style="list-style-type: none"><li>A. Check that suction filter is not partially clogged.</li><li>B. Check that pressure regulator is functioning properly.</li><li>C. Check that non-drip nozzle diaphragms are functioning correctly (should open at 10 PSI).</li><li>D. Check safety valve for weak or broken valve spring.</li><li>E. Check pressure gauge.</li></ul>
3. Pump not working	<ul style="list-style-type: none"><li>A. Check connections at battery.</li><li>B. Check for blown fuse.</li><li>C. Check electrical wiring for bad connection.</li><li>C. Check that On/Off switch is functioning properly.</li></ul>
4. Inadequate weed control	<ul style="list-style-type: none"><li>A. Re-calibrate sprayer.</li><li>B. Check chemical container instructions.</li><li>C. Did weather conditions affect application?</li><li>D. Take care when driving not to overlap or miss spraying.</li><li>E. Did you stop vehicle in field or lawn and leave sprayer running?</li></ul>

# 10.0 TECHNICAL SPECIFICATIONS



## 10.1 FLOJET 12 Volt Pump Specifications

Pump Design: ..... Duplex Diaphragm  
 Pump Drive: ..... Ball Bearing  
 Motor: ..... Permanent Magnet  
 Voltage: ..... 12 Volt D.C.  
 Current Draw: ..... 8.0 amp max.  
 Maximum Operating Pressure: ..... 50 PSI (3.5 bar)  
 Maximum Flow Rate: ..... 2.15 GPM (8.1 lpm)  
 Maximum Liquid Temperature: ..... 130° F (54° C)  
 Net Weight: ..... 3.8 lbs. (1.7 kg)

## 10.2 Sprayer Specifications

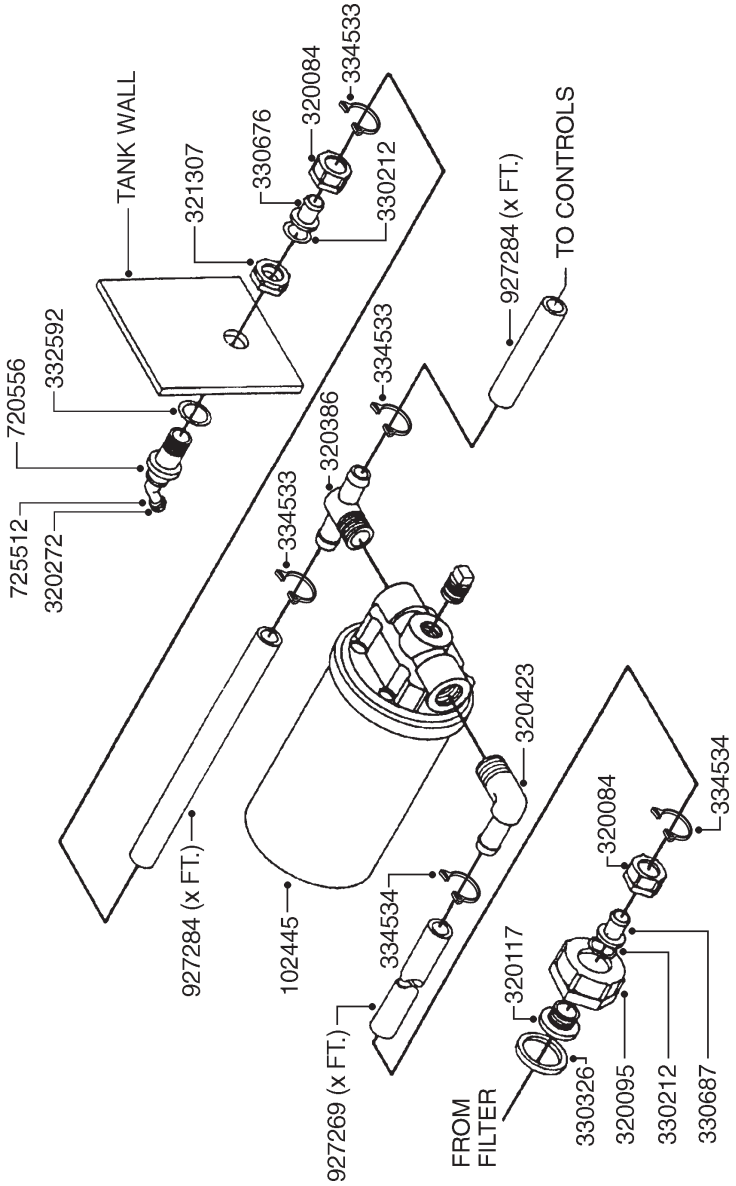
Sprayer Type	Tank Capacity (Gallons)	Boom Type (Ft.)	Spray Width (Ft.)	Dimensions L x W x H (Inches)	Weight (lbs.)
<b>ES 30</b>	30	6' FD	6'7"	83 x 39 x 48	136
<b>ES 50</b>	50	6' FD 14' HD	6'7" 13'4"	84 x 40 x 51	154
<b>SM 50</b>	50	(6' FD)* (14' HD)*	(6'7")* (13'4")*	57 x 28 x 31	84

\*Optional

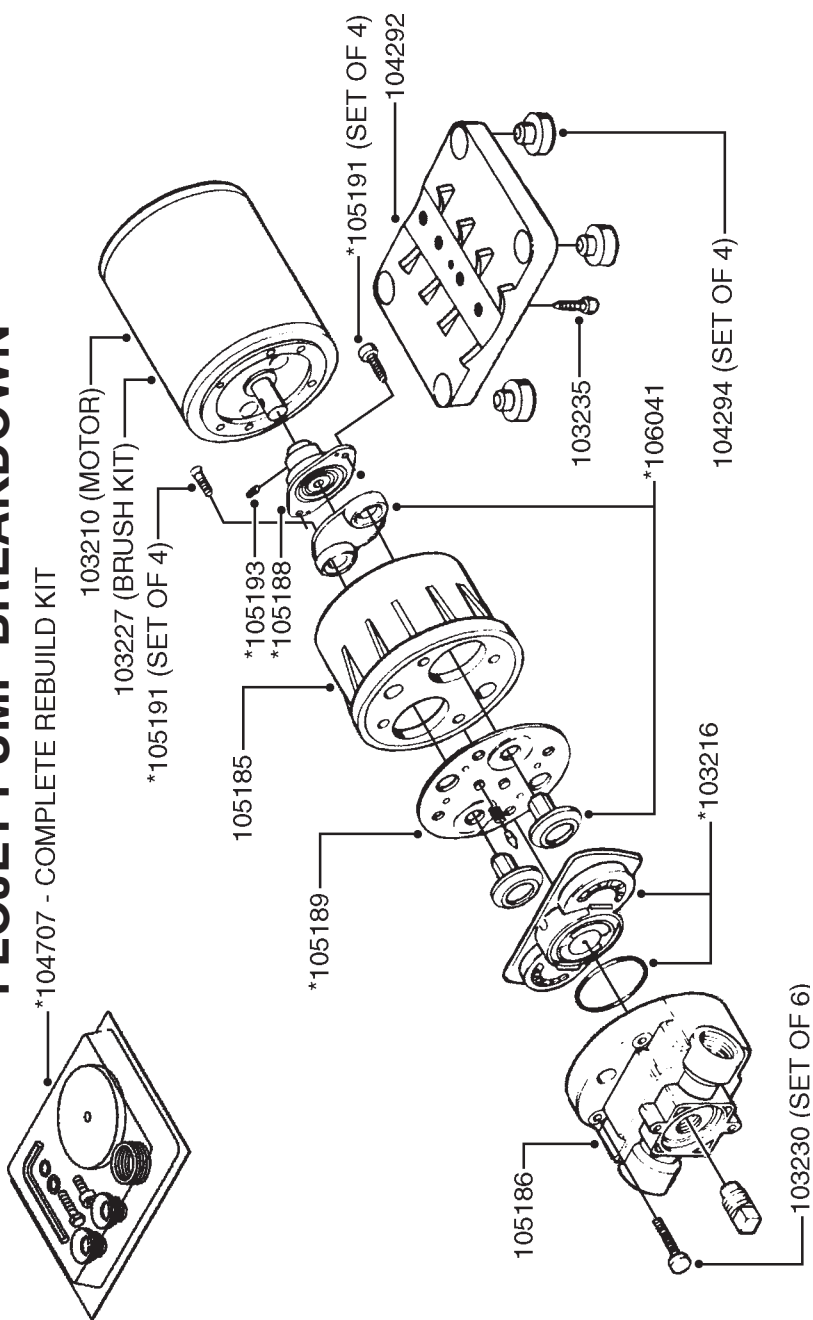


# 11.0 PARTS DRAWINGS

## ES PUMP SYSTEM

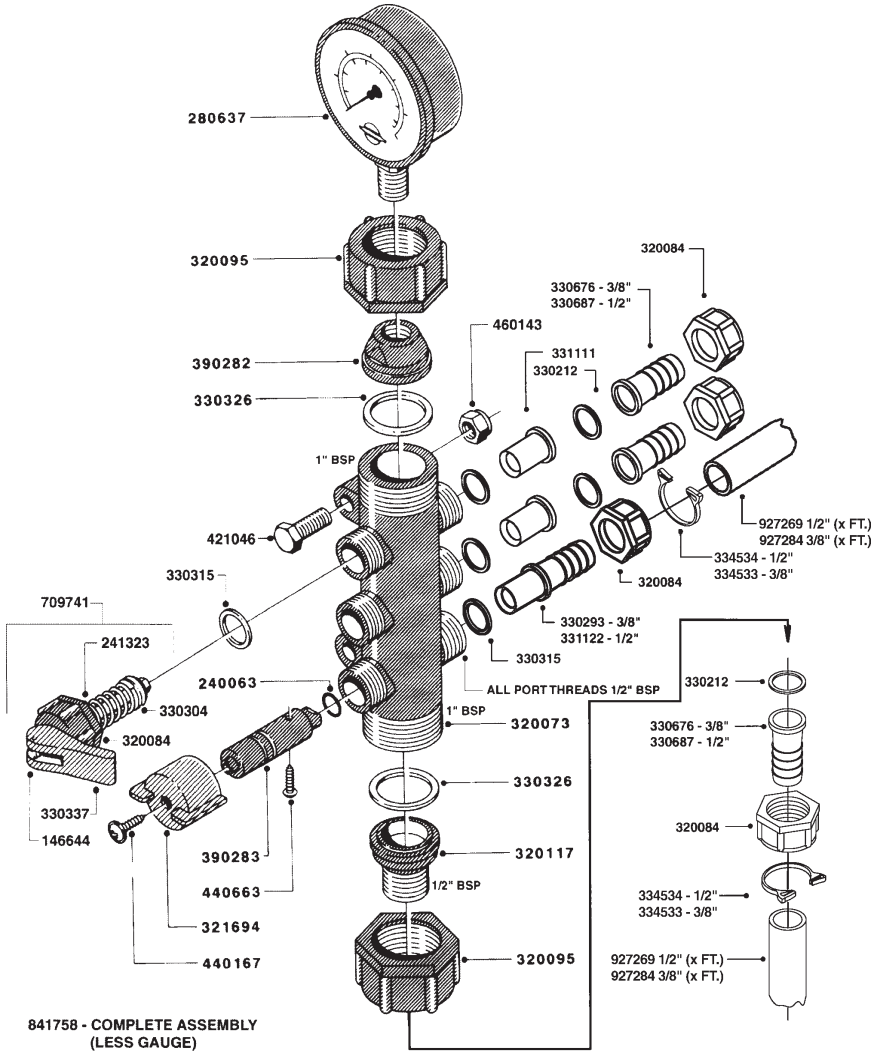


# FLOJET PUMP BREAKDOWN



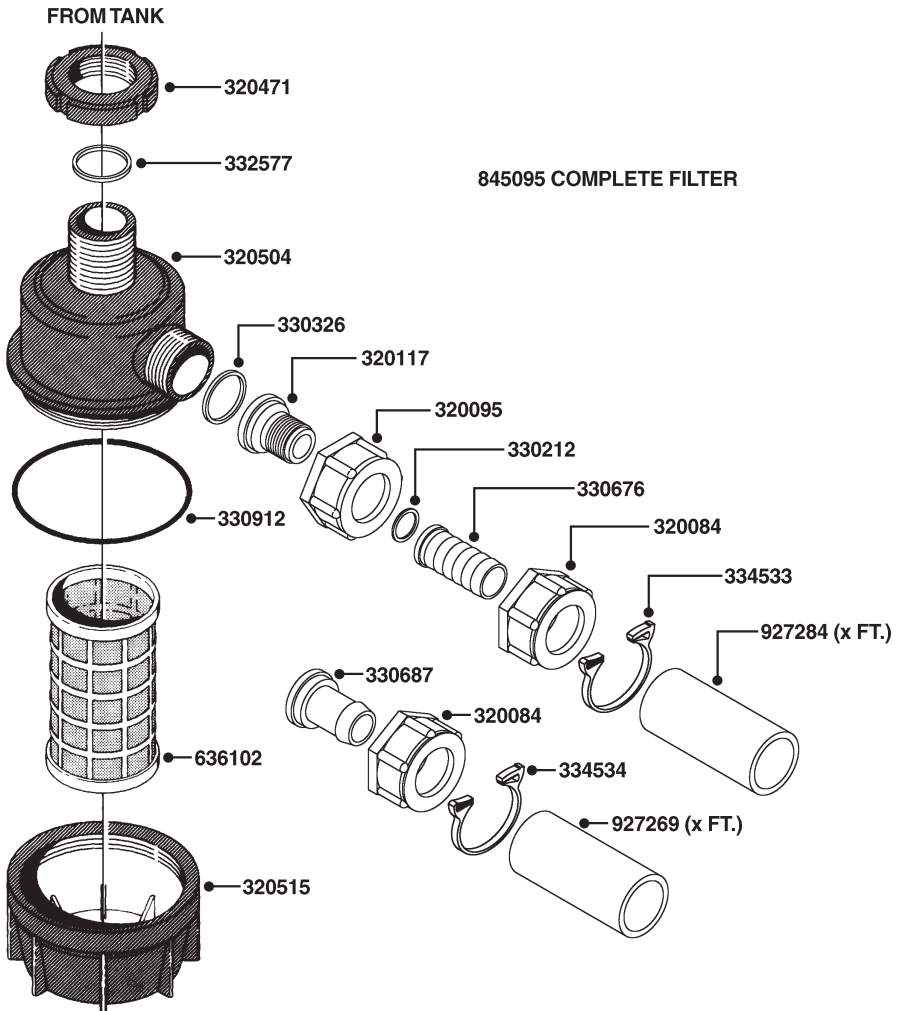


# ET MANUAL CONTROL

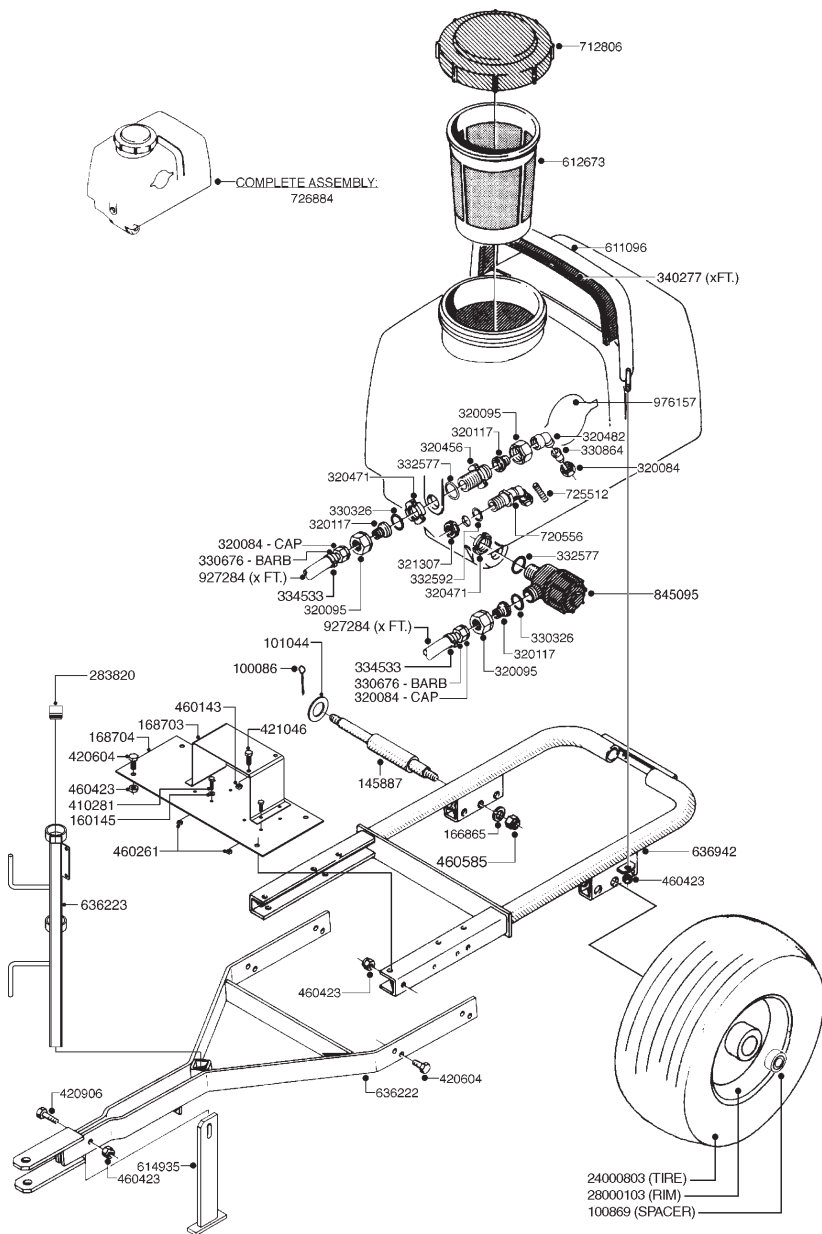




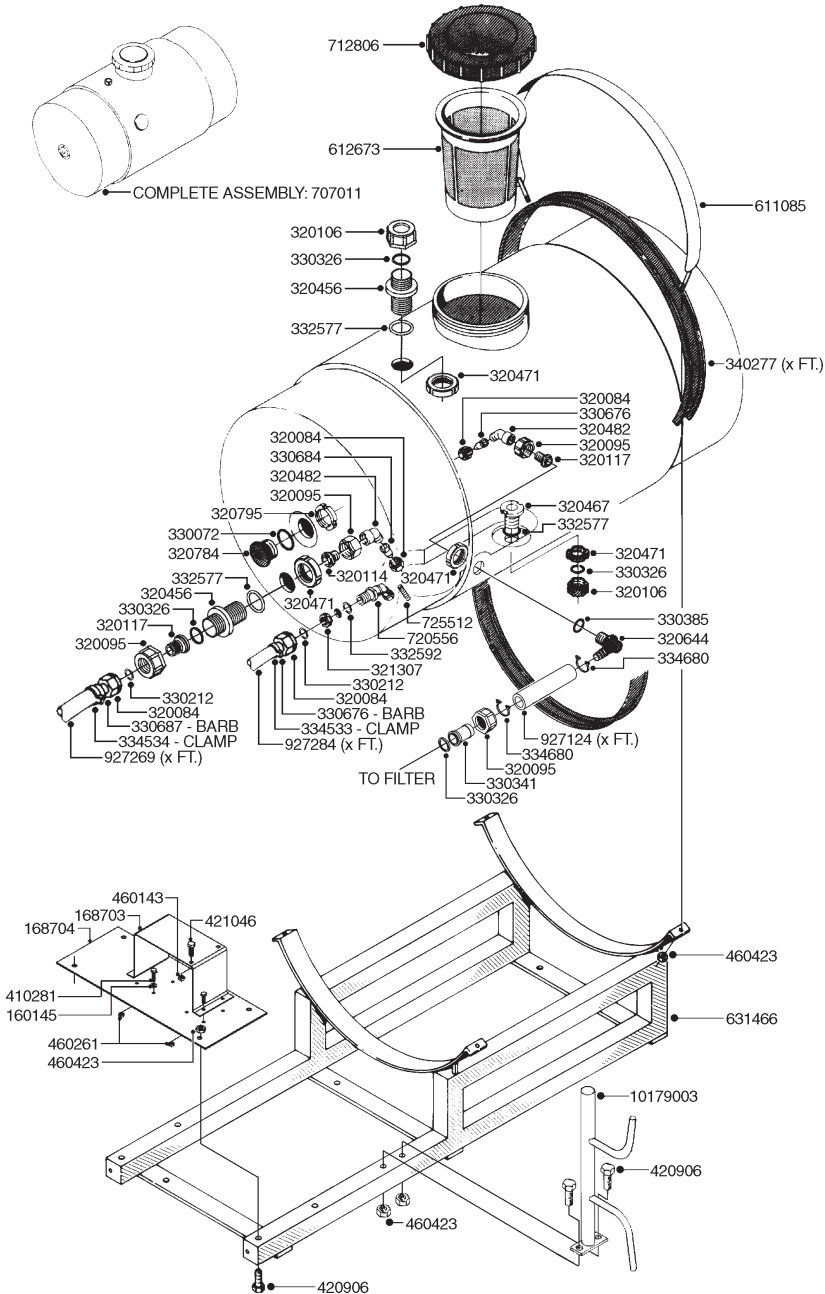
# SUCTION FILTER



# ES 30 TANK & FRAME

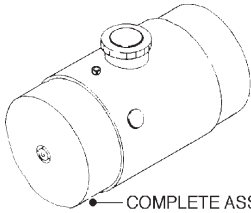


# SM 50 TANK & FRAME

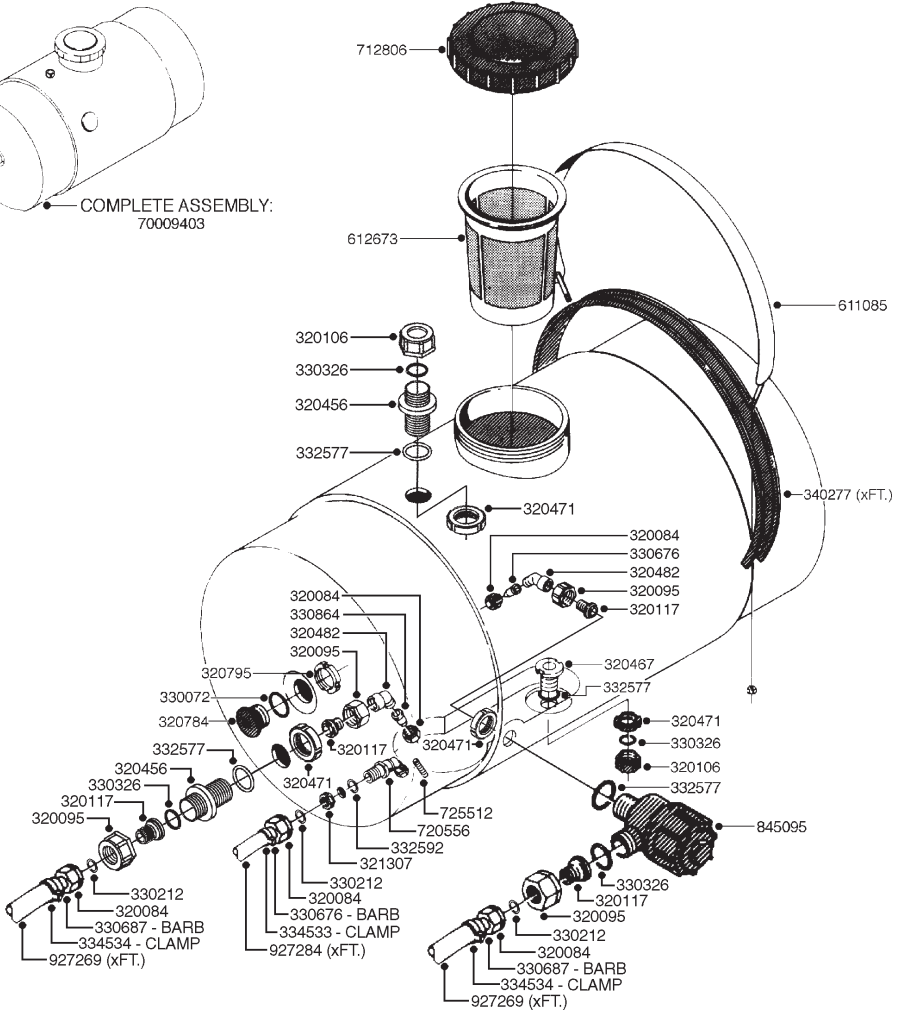




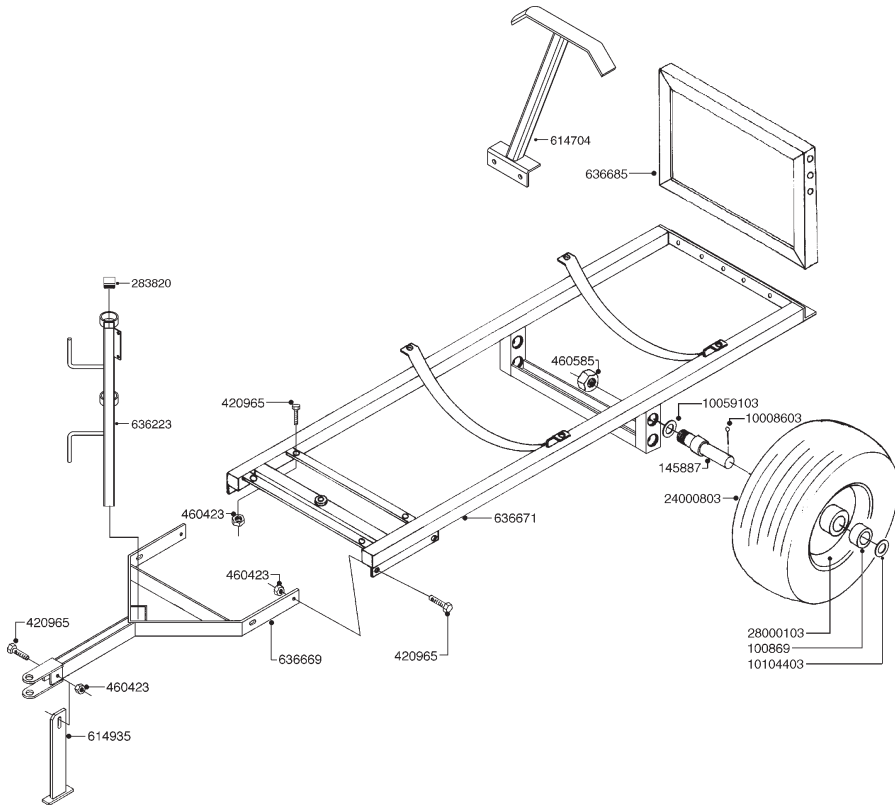
# ES 50 TANK



COMPLETE ASSEMBLY:  
70009403

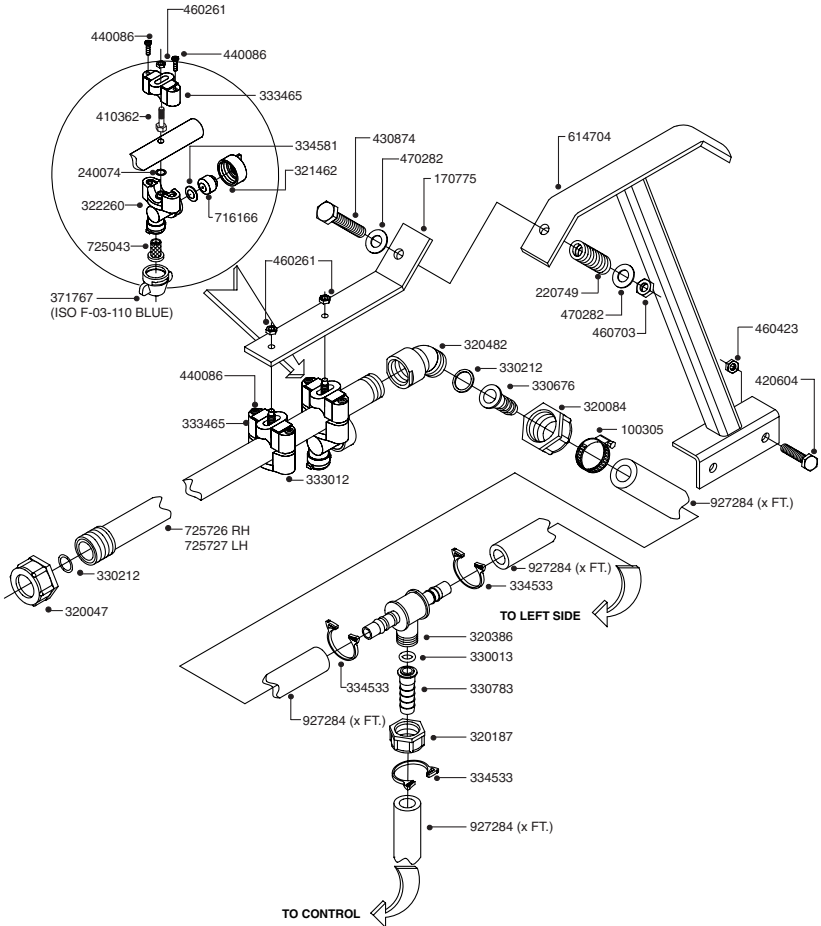


# ES 50 FRAME

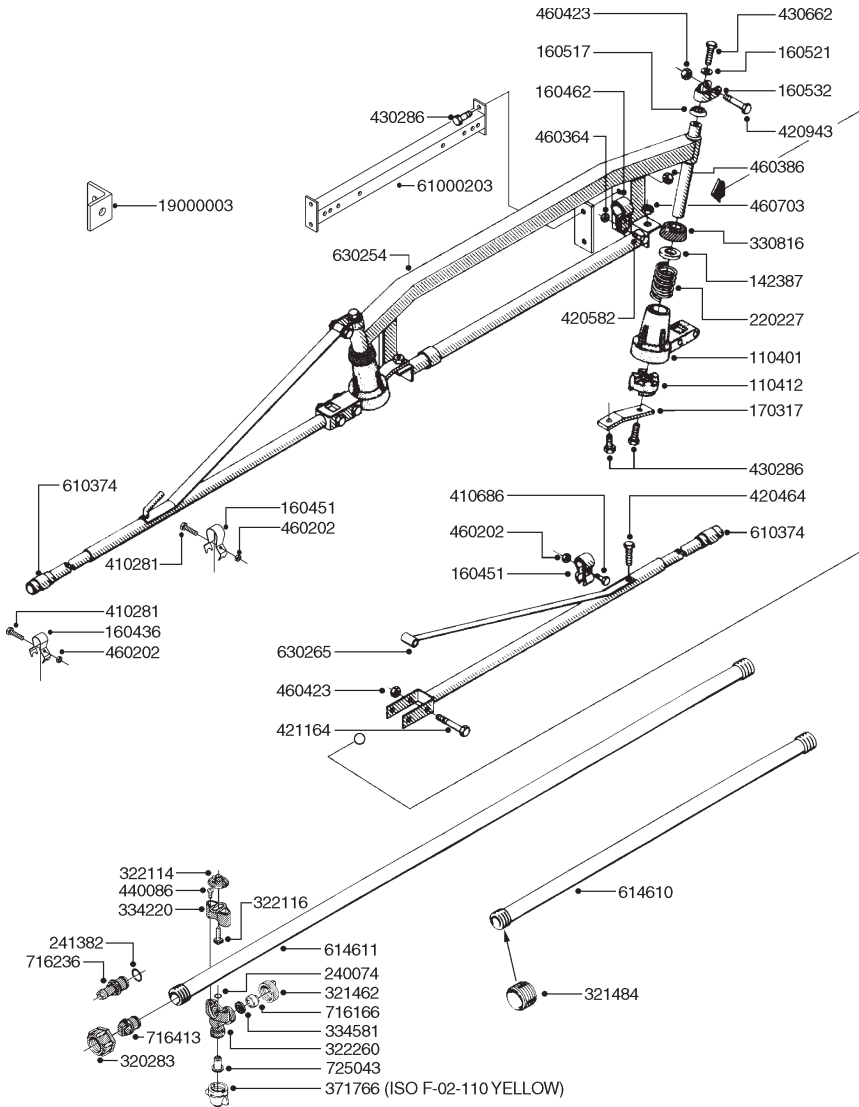




# 6' FD BOOM

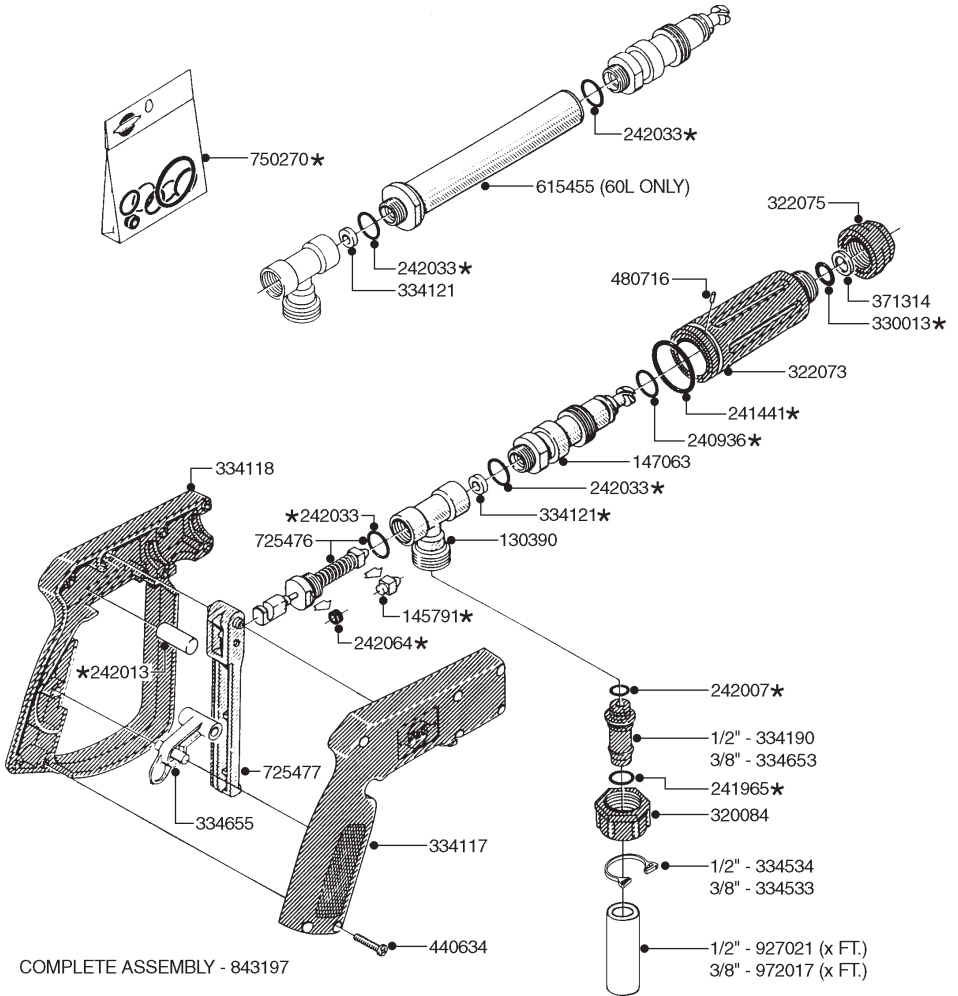


# 14' HD BOOM





# SPRAYGUN





# 12.0 WARRANTY POLICY AND CONDITIONS



HARDI® INC. , 1500 West 76th Street, Davenport, Iowa USA; 5646 W. Barstow, Fresno, California, USA; and 290 Sovereign Road, London, Ontario, Canada hereinafter called "HARDI®", offers the following limited warranty in accordance with the provisions below to each original retail purchaser of HARDI® new equipment of its own manufacturer, from an authorized HARDI® dealer, that such equipment is at the time of delivery to such purchaser, free from defects in material and workmanship and that such equipment will be warranted for a period of one year from the date of delivery to the end user providing the machine is used and serviced in accordance with the recommendations in the Operator's Manual and is operated under normal farm conditions.

1. This limited warranty is subject to the following exceptions:
  - a) Parts of the machine not manufactured by HARDI®, (i.e. engines, tires, tubes, electronic controls, and other components or trade accessories, etc.) are not covered by this warranty but are subject to the warranty of the original manufacturer. Any claim falling into this category will be taken up with the manufacturer concerned.
  - b) This warranty will be withdrawn if any equipment has been used for purposes other than for which it was intended or if it has been misused, neglected, or damaged by accident, let out on hire or furnished by a rental agency. Nor can claims be accepted if parts other than those manufactured by HARDI® have been incorporated in any of our equipment. Further, HARDI® shall not be responsible for damage in transit or handling by any common carrier and under no circumstances within or without the warranty period will HARDI® be liable for damages of loss of use, or damages resulting from delay or any consequential damage.
2. We cannot be held responsible for loss of livestock, loss of crops, loss because of delays in harvesting or any expense or loss incurred for labor, supplies, substitute machinery, rental for any other reason, or for injuries either to the owner or to a third party, nor can we be called upon to be responsible for labor charges, other than originally agreed, incurred in the removal or replacement of components.
3. The customer will be responsible for and bear the costs of:
  - a) Normal maintenance such as greasing, maintenance of oil levels, minor adjustments, etc.
  - b) Transportation of any HARDI® product to and from where the warranty work is performed.
  - c) Dealer travel time to and from the machine or to deliver and return the machine from the service workshop for repair.
  - d) Dealer traveling costs.
4. Parts defined as normal wearing items, (i.e. tires and V-belts) are not in any way covered under this warranty.
5. This warranty will not apply to any product which is altered or modified without the express written permission of HARDI® and/or repaired by anyone other than an Authorized Service Dealer.
6. Warranty is dependent upon the strict observance by the purchaser of the following provisions:
  - a) That this warranty may not be assigned or transferred to anyone.
  - b) That the Warranty Registration Certificate has been correctly completed by dealer and purchaser with their names and addresses, dated, signed and returned to the appropriate address as given on the Warranty Registration Certificate.
  - c) That all safety instructions in the operators manual shall be followed and all safety guards regularly inspected and replaced where necessary.



7. No warranty is given on second-hand products and none is to be implied.
8. HARDI® reserves the right to incorporate any change in design in its products without obligation to make such changes on units previously manufactured.
9. The judgement of HARDI® in all cases of claims under this warranty shall be final and conclusive and the purchaser agrees to accept its decisions on all questions as to defect and to the exchange of any part or parts.
10. No employee or representative is authorized to change this warranty in any way or grant any other warranty unless such change is made in writing and signed by an officer of HARDI® at its head office.
11. Any warranty work performed which will exceed \$400.00 MUST be approved IN ADVANCE by the Service Manager.
12. Any pump replacement must be approved in advance by the Service Manager.
13. Claims under this policy must be filled with HARDI® within thirty (30) days of work performed or warranty shall be void.
14. Parts requested must be returned prepaid within thirty (30) days for warranty settlement.
15. Warranty claims must be COMPLETELY filled out properly or will be returned.

**DISCLAIMER OF FURTHER WARRANTY**

THERE ARE NO WARRANTIES, EXPRESSED OR IMPLIED, EXCEPT AS SET FORTH ABOVE. THERE ARE NO WARRANTIES WHICH EXTEND BEYOND THE DESCRIPTION OF THE PRODUCT CONTAINED HEREIN. IN NO EVENT SHALL THE COMPANY BE LIABLE FOR INDIRECT, SPECIAL OR CONSEQUENTIAL DAMAGES (SUCH AS LOSS OF ANTICIPATED PROFITS) IN CONNECTION WITH THE RETAIL PURCHASER'S USE OF THE PRODUCT.



